

OEM Solutions for Precision Farming

Powered by Innovation.

Powered by ME.



Price List OEM 2022

valid as of 1 January 2022



A TRIMBLE COMPANY

Content

Precision Farming

Terminals with ME apps

APP & GO®	4
ISOBUS terminals	6
Accessories for ISOBUS terminals	8

Steering systems & GPS

TRACK-Leader AUTO® EZ-Pilot Pro	12
TRACK-Leader AUTO® CAN Autopilot	13
GNSS/RTK (Trimble)	14

Seeding

Function overview Precision planter	17
Shut-off clutches	18
PRECIMAT	19
ISOBUS monitoring module	20
ISOBUS PLANTER-Controller with junction box	21
ISOBUS PLANTER-Controller with monitoring module	22
ISOBUS PLANTER-Controller with control module	23
ISOBUS PLANTER-Controller MRC	24
Function overview Seeder	26
DRILLMAT III	27
ISOBUS DRILL-Controller	28
ME Blockage Stand-alone	30

Crop protection

Control and monitoring systems

Function overview	32
SPRAYDOS short/long	34
ISOBUS SPRAYER-Controller	36
TANK-Control	38
TANK-Control III	39
ISOBUS TRAIL-Control	40
ISOBUS DISTANCE-Control	42
ISOBUS DISTANCE-Control II	43
SECTION-Control TOP	44
ISOBUS SPRAYER-Controller Orchard / Vineyard	46
ISOBUS HOEING-Controller	49

Fertilization

Function overview	50
SPRAYMAT II for slurry tanker	51
ISOBUS SLURRY-Controller	52
ISOBUS SPREADER-Controller	54
ISOBUS UNI SPREADER-Controller	55
ISOBUS SCALE-Controller	56

MIDI 3.0 standard components

57

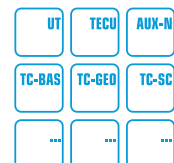
Spare parts

58

AEF Certified

ISOBUS

www.aef-isobus-database.org



ME job computers comply with ISOBUS standard 11783 and are AEF-certified. You can find the current state of the certified functionalities* in the AEF database.

* subject to change



WWW.ROLTRONIK.PL

APP & GO® – Terminal apps

Its flexibility and future-proofing are unbeatable advantages of the APP & GO® concept. In the first step, each user selects a terminal that corresponds to their requirements.

In addition to the activated standard apps, other pre-installed apps can be unlocked as required.

The table shows the standard apps that are found on the different terminals

- = Default app
- = Optional app
- = Not possible

* 1 ISOBUS-UT is required for this app






* 2 TRACK-Leader is required for this app

* 3 This app requires

- ISOBUS-TC for target rate transfer only
- TRACK-Leader and SECTION-Control for automatic section control

* 4 Sold exclusively by Agricon

APPs	Terminals
 <p>ISOBUS-UT</p>	<p>Activated the ISOBUS implement control. The corresponding terminal thus complies with the ISOBUS standard. It can be used as an Universal Terminal (UT) to control any implement that complies with the standard, regardless of the manufacturer.</p>
 <p>ISOBUS-TC*1</p>	<p>Activates the Task Controller (ISOBUS-TC) and therefore ISOBUS task management. It is the link between the FMIS at the workplace and the control system on the implement. In addition to classic task management, the app also offers the option of importing field data in shape format.</p>
 <p>MULTI-Control</p>	<p>Perfect for complex work processes with simultaneous multiple application. With MULTI-Control, a separate prescription map can be assigned to each part of the machine on request. Together with the included MULTI SECTION-Control, precision farming in a class of its own is guaranteed.</p>
 <p>TRACK-Leader</p>	<p>Combined with a DGPS receiver, TRACK-Leader enables exact parallel driving even in poor visibility (A/B, A+, headland, contour mode). Obstacles can be marked and saved with field data such as boundaries and guidance lines.</p>
 <p>TRACK-Leader AUTO*2</p>	<p>Activates automatic steering. It enables precise operation under any light and weather conditions. The system works very precisely, overlaps and skips are prevented. This reduces the resources used and relieves the driver.</p>
 <p>SECTION-Control*2</p>	<p>This app provides GPS-controlled activation and deactivation of implements, implement sections or single nozzles. SECTION-Control can control up to 256 sections or single nozzles.</p>
 <p>ASD</p> <p>ASD*3</p>	<p>Activates serial communication via the ASD protocol. With this interface, target rates and section status can be transmitted between terminals and other operating devices (both devices must support ASD protocol).</p>
 <p>TRAMLINE-Management*2</p>	<p>Displays the tramline rhythm selected by the driver on the TRACK-Leader screen. This allows the driver to work in pattern intervals, which eliminates the need for manoeuvring at the headlands to drive the adjacent guidance line.</p>
 <p>VRC*2</p>	<p>This app enables the use of prescription maps in shape format, which define the location-based target rates for the field sprayer. For the application of fertilizers, for example, it enables working with several fertilizers and prescription maps at the same time. Each fertilizer or nutrient has its own specific prescription map.</p>
 <p>agricon*4</p>	<p>Enables operation of the Precision Farming Box (PF-Box) on all ME terminals. The software contains all of the agronomic applications required for location based cropping methods with YARA N-Sensors and P3-Sensors from Agricon.</p>

ISOBUS non-touch terminals		ISOBUS touch And non-touch terminal	ISOBUS touch terminals	
				
SMART430®	BASIC-Terminal	SMART570®	TOUCH800®	TOUCH1200®
<input checked="" type="checkbox"/>	<input checked="" type="checkbox"/>	<input checked="" type="checkbox"/>	<input checked="" type="checkbox"/>	<input checked="" type="checkbox"/>
<input type="checkbox"/>	<input type="checkbox"/>	<input type="checkbox"/>	<input type="checkbox"/>	<input type="checkbox"/>
<input type="checkbox"/>	<input type="checkbox"/>	<input type="checkbox"/>	<input type="checkbox"/>	<input type="checkbox"/>
<input type="checkbox"/>	<input type="checkbox"/>	<input type="checkbox"/>	<input type="checkbox"/>	<input type="checkbox"/>
<input type="checkbox"/>	<input type="checkbox"/>	<input type="checkbox"/>	<input type="checkbox"/>	<input type="checkbox"/>
<input type="checkbox"/>	<input type="checkbox"/>	<input type="checkbox"/>	<input type="checkbox"/>	<input type="checkbox"/>
<input type="checkbox"/>	<input type="checkbox"/>	<input type="checkbox"/>	<input type="checkbox"/>	<input type="checkbox"/>
<input type="checkbox"/>	<input type="checkbox"/>	<input type="checkbox"/>	<input type="checkbox"/>	<input type="checkbox"/>
<input type="checkbox"/>	<input type="checkbox"/>	<input type="checkbox"/>	<input type="checkbox"/>	<input type="checkbox"/>
<input type="checkbox"/>	<input type="checkbox"/>	<input type="checkbox"/>	integrated in ISOBUS-TC-App	integrated in ISOBUS-TC-App
<input type="checkbox"/>	<input type="checkbox"/>	<input type="checkbox"/>	<input type="checkbox"/>	<input type="checkbox"/>

WWW.ROLTRONIK.PL

* limited discount

ISOBUS touch terminals

TOUCH800®

The TOUCH800® impresses with modern technology and an unsurpassed variety of functions. With the 8" display and capacitive touch screen, ideal operation is guaranteed. Like usual, the functions can be shown in a main window and in a header. Equipped with MULTI-Control, the TOUCH800® and the TOUCH1200® are superior to other ISOBUS terminals. In addition, the TOUCH800® offers many upgrade options by a great variety, including apps and automatic steering.



TOUCH1200®

The TOUCH1200® is the ISOBUS terminal offering the most functions – unbeatable in terms of flexibility and user friendliness. TOUCH1200® can be used both in portrait and in landscape format. Up to five precision farming functionalities can be displayed simultaneously in different layouts and control interfaces. It also features a capacitive touch screen, making this technology ideal for rough, practical use. Equipped with MULTI-Control, the two touch terminals from ME are superior to other ISOBUS terminals.



ISOBUS terminals	Item no.	Price €
SMART430® with bracket	30322505	600.00
SMART570® with bracket and 2 m CPC connector cable	30322507	935.00
BASIC-Terminal with bracket	30322511	1,040.00
TOUCH800® with bracket and camera port	30322538	1,760.00
TOUCH1200® with bracket and camera port	30322537	4,190.00

APPS**	Item no.	Price €
ISOBUS-UT	30302435	790.00
ISOBUS-TC	30302436	905.00
MULTI-Control	3030248965	550.00
TRACK-Leader	30302432	920.00
TRACK-Leader AUTO®	30302514	550.00*
SECTION-Control	30302450	1,020.00
TRAMLINE-Management	30302519	550.00
VARIABLE RATE-Control (VRC) for non-touch terminals	30302512	705.00
ASD	30302431	210.00*
agricon	Sold only by Agricon	

Touch and non-touch terminals

SMART570®

The SMART570® operating and display unit complies with ISOBUS standard ISO 11783 and can be used as a universal terminal (UT) on all ISOBUS machines, regardless of manufacturer. The colour display of the SMART570® has a resolution of 640 x 480 pixels. For optimal operation of the connected attachment, the SMART570® offers a capacitive touchscreen, a membrane keypad and a rotary encoder.



ISOBUS non-touch terminals

SMART430®

SMART430® is the clever entry in the ISOBUS world. The terminal is equipped with the ISOBUS-UT app as a standard. The 4.3" colour screen clearly displays simple implement applications. SMART430® fulfils the requirements for protection class IP69 and is therefore also suitable for use outside of the tractor cab.



BASIC-Terminal

The BASIC-Terminal is the ideal entry-level solution for ISOBUS technology. With the ISOBUS-UT (Universal Terminal) app, the unit complies with the ISOBUS standard and can be used on all ISOBUS implements, regardless of the manufacturer. The BASIC-Terminal appeals with its attractive entry-level price and numerous optional add-ons, such as ISOBUS task processing or parallel guidance and SECTION-Control.



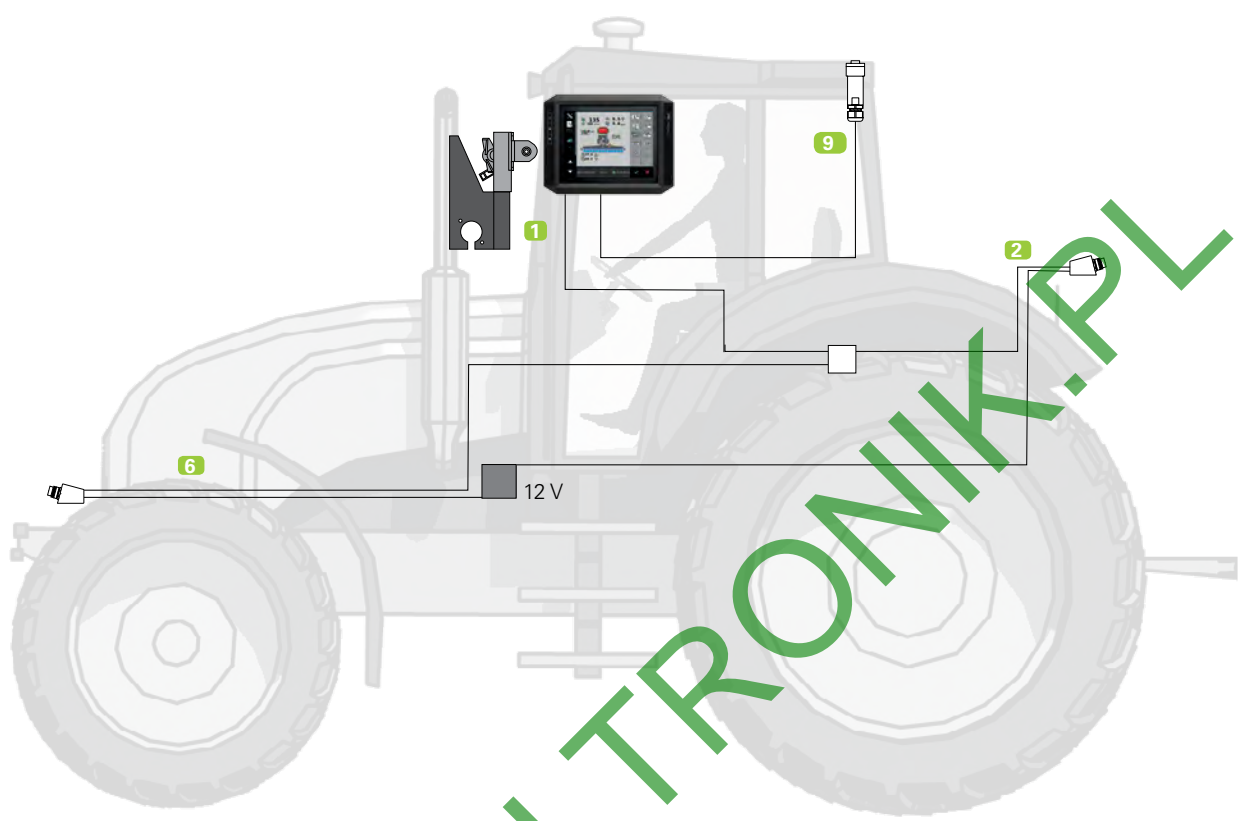
ME terminals comply with ISOBUS standard 11783 and are AEF-certified. You can find the current state of the certified functionalities* in the AEF database.

To www.aef-isobus-database.org →



* limited discount

Accessories for ISOBUS terminals



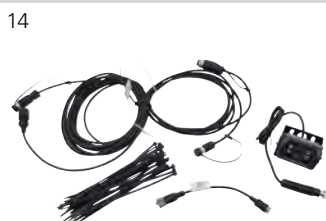
Tractor basic vehicle harness		Item no.	Price €
1	ISOBUS basic vehicle harness for tractors with In-Cab-Connector	30322541	103.00
2	ISOBUS basic vehicle harness with 9-pin CPC connector, with rear socket 2.9 m cable, 50 A	30322574	375.00
	ISOBUS basic vehicle harness with 9-pin CPC connector, with rear socket 6.1 m cable, 50 A	30322573	430.00
3	SMART430®/SMART570® basic vehicle harness, with 6 m connector cable with 9-pin CPC connector and 2.5 m connector cable for job computer MIDI 3.0	3032257601	400.00
	SMART430®/SMART570® basic vehicle harness, with 6 m connector cable with 9-pin CPC connector and 10 m connector cable for job computer MIDI 3.0	3032257701	440.00
4	Connector cable SMART430® to ME basic vehicle harness with 9-pin Sub-D connector	31322596	96.30
5	Connector cable SMART430® to ME basic vehicle harness with 9-pin CPC connector	31322597	96.30
6	ISOBUS basic vehicle harness with front and rear socket, cable length for front socket 6 m, rear socket 2.9 m	30322558	720.00
7	Connector cable for ME terminals for John Deere 7020/7030/8030	30322543	138.00
8	Adapter cable in-cab-connector with 9-pin CPC connector for tractors with ISOBUS (e.g. CASE, NEW HOLLAND)	30322547	265.00
Accessories			
9	Adapter cable for ME terminal (Non-touch terminal starting at HW 3.0.0 and touch-terminal) to the signal socket in accordance with DIN 9684.1/ISO 11786 for using the Tractor-ECU	30322548	39.90
10	Adapter cable für SMART430® an to the signal socket in accordance with DIN 9684.1/ISO 11786 for using the Tractor-ECU	31322598	105.00
11	Adapter cable für SMART570® an to the signal socket in accordance with DIN 9684.1/ISO 11786 for using the Tractor-ECU	31322599	96.30
12	Adapter cable for ME terminal (Non-touch terminal starting at HW 3.0.0 and touch-terminal) with the ASD app for using a third-party terminal e.g. Rauch, Quantron E, E2	3032254800	118.00
13	GPS connector cable for ME terminal to Fendt Auto-Guide	30302472	43.60
14	Y cable for 2 ME terminals or AMATRON+	30322572	93.10
15	Y cable for ME-Terminal to ISOBUS basic vehicle harness (CPC InCab) with CPC connector	31322595	195.00
16	Y cable for ME-Terminal to ISOBUS basic vehicle harness (CPC InCab) with CPC connector	31322594	195.00
17	Y cable for 2 ME terminals or AMATRON+	30322572	93.10
18	Y-cable ISOBUS to In-cab, CPC socket to 2x CPC connector	3039910114	167.00
19	Connector cable for Sensor Y with 3-pin socket, on TRACK-Guide II and TRACK-Guide III	31302499	82.50
20	Sensor Y for work position, 5 m cable with 3-pin connector	312089	45.10



Accessories for ISOBUS terminals

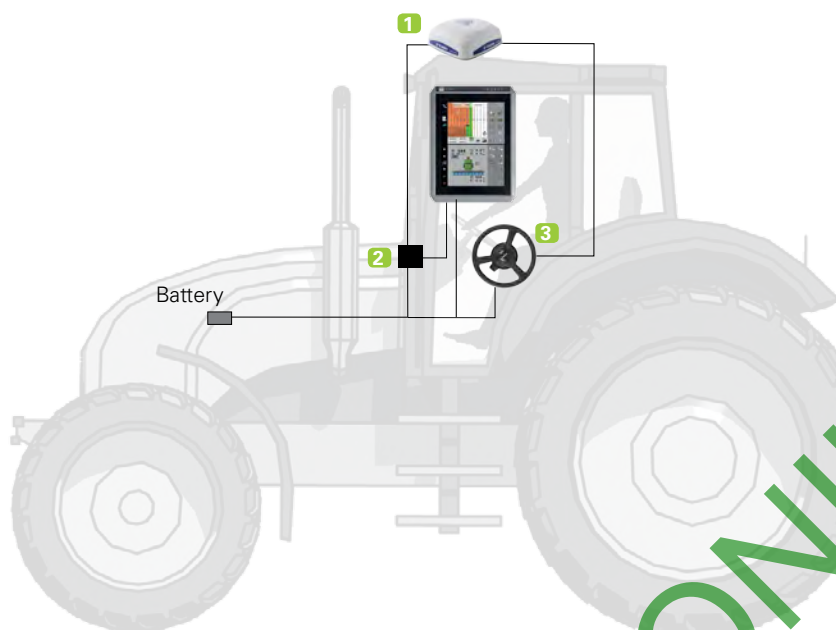


Accessories		Item no.	Price €
1	Mounting bracket VESA75 for touch terminals on round pipe systems with a diameter of 20, 25 or 30 mm	31322508	31.80
2	Pivoting bracket VESA75 for touch terminals	31322507	120.00
3	Suction bracket with basic vehicle harness for securing the TRACK-Guide to the plate	31302471	97.30
4	CPC quadruple box	3032257801	380.00
Joystick ISOBUS terminal			
5	Joystick III for connection to ME terminal with 9-pin Sub-D connector and socket, sealed momentary switches, supports Auxiliary protocols AUX-N and AUX-ME	3032258305	525.00
6	Joystick III for tractors with an ISOBUS In-Cab-Connector with 9-pin CPC socket, sealed momentary switches, supports Auxiliary protocols AUX-N and AUX-ME	3032258607	550.00
7	Joystick III for tractors with an ISOBUS In-Cab-Connector with 9-pin CPC connector and socket, sealed momentary switches, supports Auxiliary protocols AUX-N and AUX-ME	3032258106	620.00
8	Joystick PRO with 9-pin CPC socket, supports Auxiliary protocols AUX-N	3032258620	695.00
S-Box			
9	S-Box, 9 sections with 9-pin Sub-D connector	30322608	365.00
	S-Box, 13 sections, with 9-pin Sub-D connector	30322616	380.00
	S-Box, 18 sections, with 9-pin Sub-D connector	30322618	735.00
10	S-Box, 9 sections, with 9-pin CPC connector for third-party terminals	30322638	370.00
	S-Box, 13 sections, with 9-pin CPC connector for third-party terminals	30322646	385.00
	S-Box, 18 sections, with 9-pin CPC connector for third-party terminals	30322647	745.00
Camera			
11	Analogue HQ2 camera with 11 m cable for non-touch terminals	3030249101	655.00*
12	Analogue HQ2 camera with 11 m cable for touch terminals	3030249401	600.00*
13	Analogue NQ camera with 11 m cable for touch terminals	3030249400	385.00*
14	Analogue NQ camera separation point tractor 3 m and 7 m for touch terminals	3030249402	455.00*
15	Extension cable for HQ and NQ camera, 5 m	31303060	74.40*
16	Extension cable for HQ2 camera, 5 m	3130306001	58.80*
Other accessories			
17	ISOBUS Weather Station with 9-pin CPC connector	3030247104	2,450.00



Automatic steering

TRACK-Leader AUTO® EZ-Pilot Pro

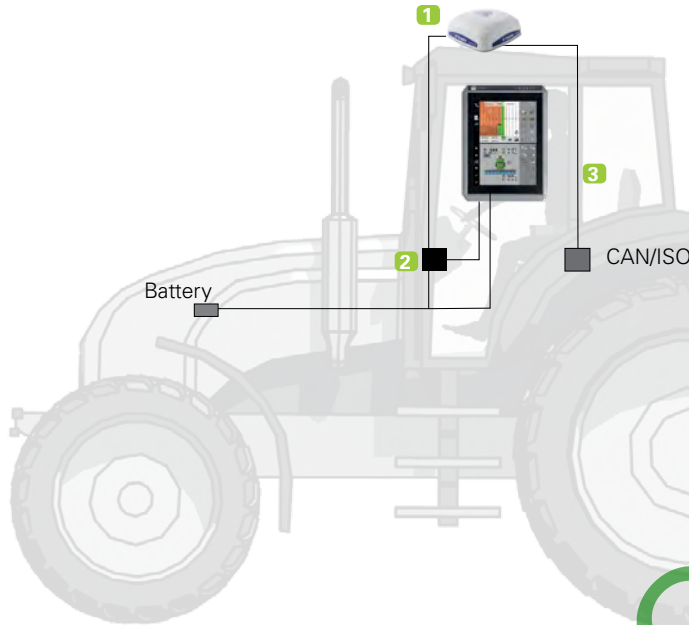


Automatic steering – TRACK-Leader AUTO® EZ-Pilot Pro (only available for manufacturers with self-propelled machines)		Item no.	Price €
1	NAV-900 GNSS and steering controller, pass to pass accuracy 10-15 cm, incl. bracket and 5 m connector cable	3030247710	2,790.00
Activation EZ-Pilot Pro Steering (Demo license for 10 days)		3038990002	Free of charge
Activation EZ-Pilot Pro Steering		3038990006	675.00*
2	Connection kit EXP-900L for NAV-900 on touch terminals, 1.5 m	3032254903	520.00
Automatic steering for retrofitting – TRACK-Leader AUTO® EZ-Pilot Pro			
3	EZ-Pilot Pro steering wheel motor, kit, incl. steering wheel, steering wheel motor and cable harness	3038990019	2855.00*
Accessories			
4	Connector cable NAV-900 to steering wheel motor	3138990002	595.00*
5	Power distributor including switch	3038990025	138.00*
6	Cable power supply battery, 4 m	3038990024	89.00*



Automatic steering

TRACK-Leader AUTO® CAN Autopilot



Automatic steering – TRACK-Leader AUTO® CAN Autopilot (only available for manufacturers with self-propelled machines)		Item no.	Price €
1	NAV-900 GNSS and steering job computer, configured (Trimble), incl. bracket and connector cable	3030247710	2,790.00
Activation Autopilot steering		3038990003	3,145.00*
Activation CAN Autopilot steering		3038990004	2,445.00*
Activation CAN Autopilot to Autopilot steering		3038990005	1,175.00*
2	Connection kit EXP-900L for NAV-900 on touch terminals, 1.5 m	3032254903	520.00
3	Vehicle-specific steering on existing hydraulics or CAN connection	upon request	upon request

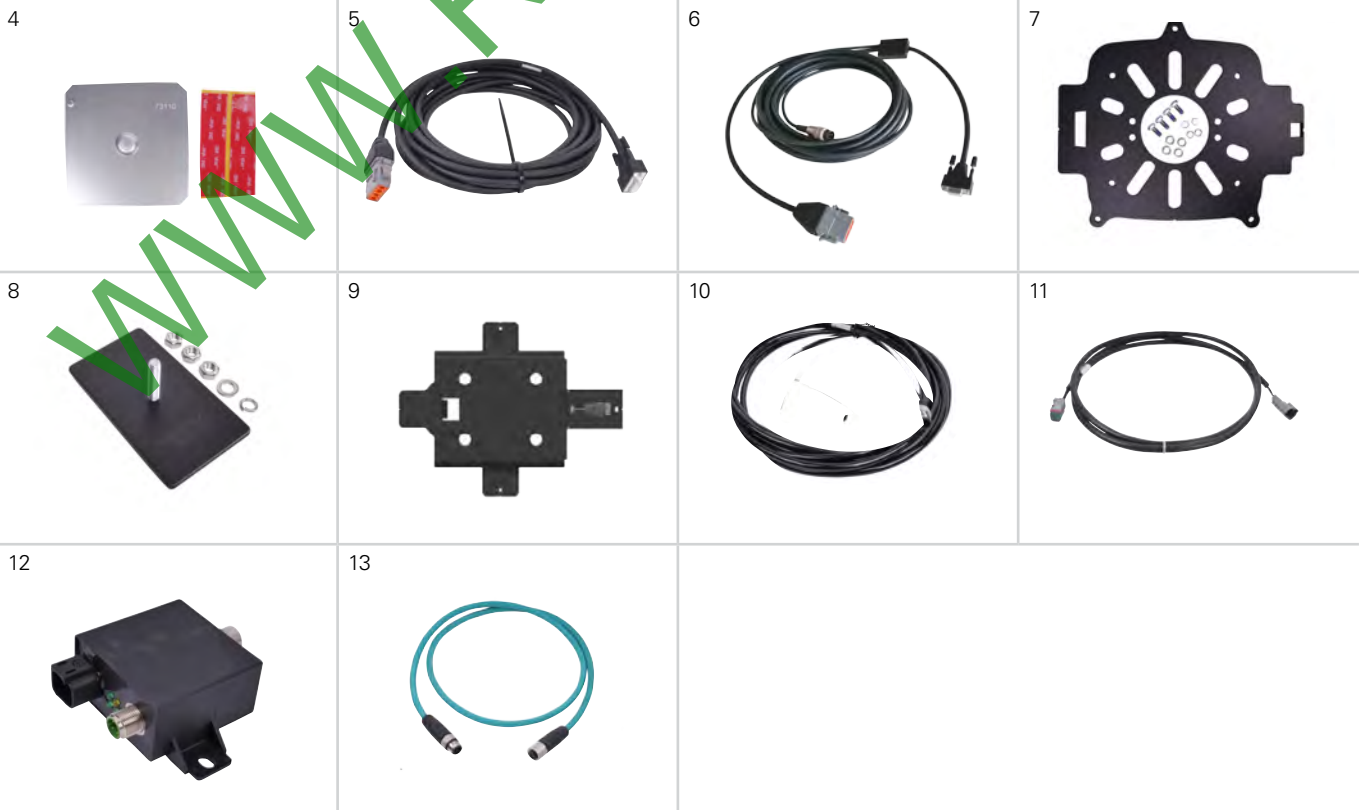


GNSS / RTK (Trimble)

GNSS receiver from Trimble		Item no.	Price €
1	GNSS receiver Ag-200 Pass to pass accuracy 15-20 cm, 6 m	3030247701	1,050.00
	GNSS receiver Ag-200 Pass to pass accuracy 15-20 cm, 12 m	3030247702	1,070.00
2	NAV-900 GNSS and steering controller, pass to pass accuracy 10-15 cm, incl. bracket and 5 m connector cable	3030247710	2,790.00
3	Connection kit EXP-900L for NAV-900 on touch terminals, 1.5 m	3032254903	520.00
RTK modem RV55 NtripWiFi, complete set			
LTE/WIFI modem RV55		3038990039	1,130.00*
Connector cable for modem LTE/WIFI modem RV55 , M12 connector to Sub-D connector and voltage supply, 5 m		3038990027	210.00*
Activation NAV-900 (GPS quality levels)			
Activation of accuracy level "Basic to high" Demo version 10 days, required for CenterPoint RTK and CenterPoint VRS (only available for manufacturers with self-propelled machines)		3038990009	Free of charge
Activation of accuracy level "Basic to high" Required for CenterPoint RTK, CenterPoint VRS, CenterPoint RTX fast		3038990010	4,680.00*
Activation of accuracy level "Basic to Intermediate" Required for CenterPoint RTX		3038990011	2,350.00*
Activation of accuracy level "Intermediate to High" Required for CenterPoint RTK, CenterPoint VRS, CenterPoint RTX fast		3038990012	2,350.00*
Activation slope compensation for manual parallel guidance		3038990035	345.00*











Accessories			
4	Mounting plate for AG-200	3130247702	19.40
5	Connector cable for Ag-200, 6 m	3130247700	75.60
	Connector cable for Ag-200, 12 m	3130247703	90.30
	Connector cable for AG-200, 15 m	3130247705	104.00
6	Connector cable for AG-200 with Speed-out, 6 m	3130247704	178.00
7	Mounting plate for NAV-900	3138990007	69.00*
8	Mounting plate for NAV-900	3138990008	8.00*
9	NAV-900 "QuickRelease" mounting bracket	3038990026	184.00*
10	Extension connector cable to NAV-900, 2.55 m	3138990003	58.00*
	Connector cable to NAV-900, 5 m	3138990004	73.00*
11	Connector cable power supply EXP-900L, 1.5 m	3132259001	51.50
12	EXP-900L, Converter BroadR-Reach to Ethernet	3132259000	410.00
13	Ethernet cable 2x M12 D-coded, 1 m	3132259002	93.50



* limited discount

GNSS / RTK (Trimble)



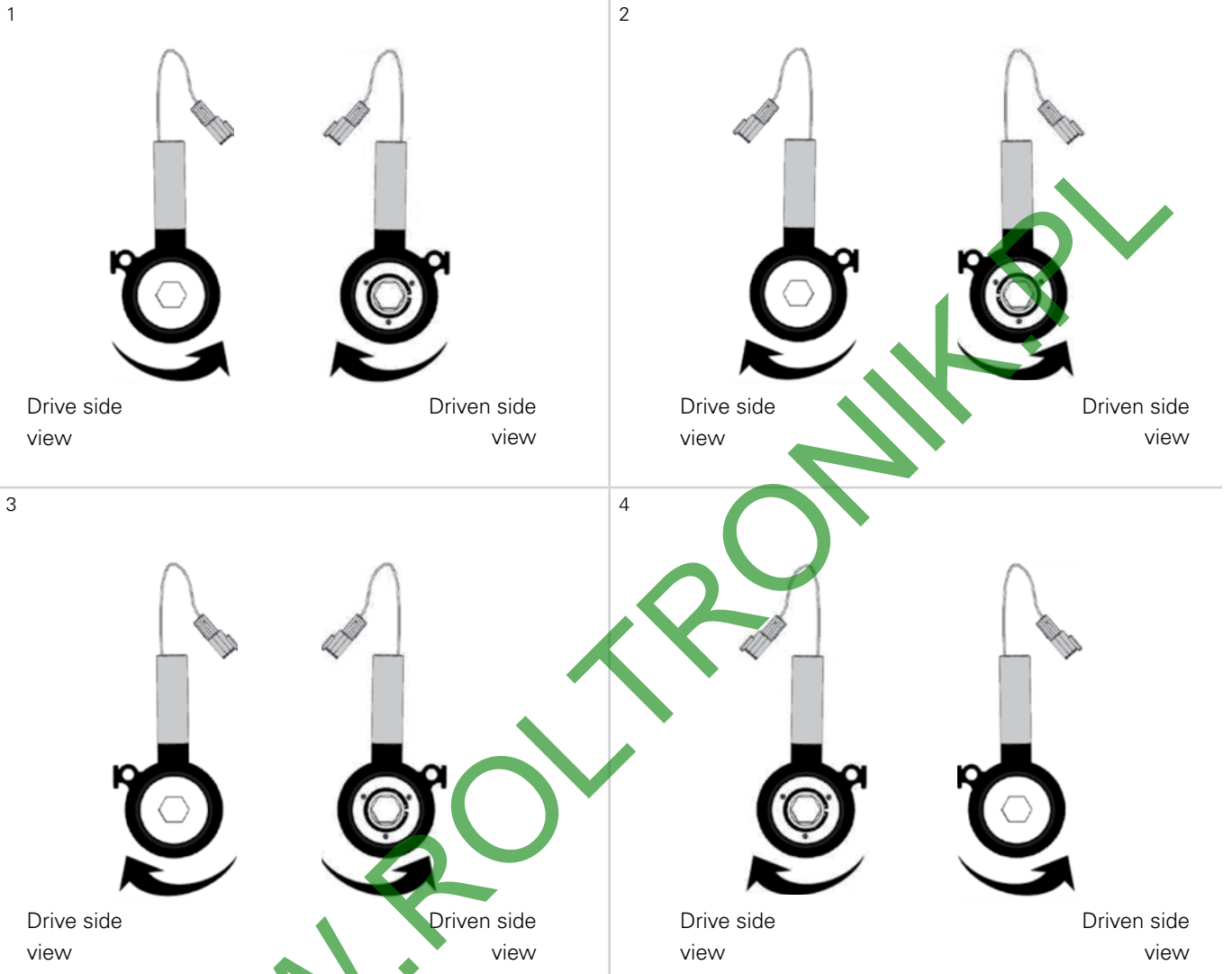
Function overview	AG-200	NAV-900	Trans- mission	Accuracy	Range	Costs
Frequency	L1	L1 L2				
GPS Designation of the American global satellite navigation system.	●	●			World- wide	Free of charge
GLONASS Designation of the Russian global satellite navigation system.	●	●			World- wide	Free of charge
GALILEO Designation of the European global satellite navigation system.	●	●			World- wide	Free of charge
BAIDOU Designation of the Chinese global satellite navigation system.	●	●			World- wide	Free of charge
EGNOS / WAAS (available in Europe, North America) Is a free correction signal that is transmitted by satellite. It is used for simpler field work. EGNOS is suitable for field operations such as spraying, soil tillage, spreading fertiliser, slurry application, and harvesting.	●	●		Pass to pass <25 cm	Europe, USA	Free of charge
xFill Based on Trimble's RTX technology, xFill enables seamless, centimetre-perfect bridging of VRS or RTK signal drop-outs.	–	●		2.5 cm	World- wide	xFill: free of charge xFill Premium: Licence fees
RangePoint RTX A satellite-based correction service for pass to pass accuracies of 15 cm available almost worldwide. A local base station or modem is not required.	–	●		15 cm	World- wide	Licence fees
ViewPoint RTX Is a satellite-based correction service that is available virtually worldwide for AG-200 GNSS receivers. No local base station or modem is required.	●	–		Pass to pass 30 cm	World- wide	Licence fees
CenterPoint RTX Is an almost worldwide available satellite based correction service for accuracies up to 2.5 cm. No local base station or modem is required.	–	●		absolute 2.5 cm	World- wide	Licence fees
CenterPoint RTX fast Initialization time of less than 1 minute. CenterPoint RTX Fast is available in selected regions and does not require a local base station or a modem.	–	●		absolute 2.5 cm	Europe, USA	Licence fees
CenterPoint RTK Describes the correction procedure in which RTK correction data is sent from a local base station to the GNSS receiver via a radio link. An external modem is required.	–	●		absolute 2.5 cm	location- depend- ent	licensing costs possible
CenterPoint VRS Describes the correction procedure in which RTK corrections are sent via a network consisting of base stations and servers via mobile Internet to the GNSS receiver. An external mobile radio modem is required.	–	●		absolute 2.5 cm	De- pend- ing on the ser- vice provider	Licence fees

Function overview

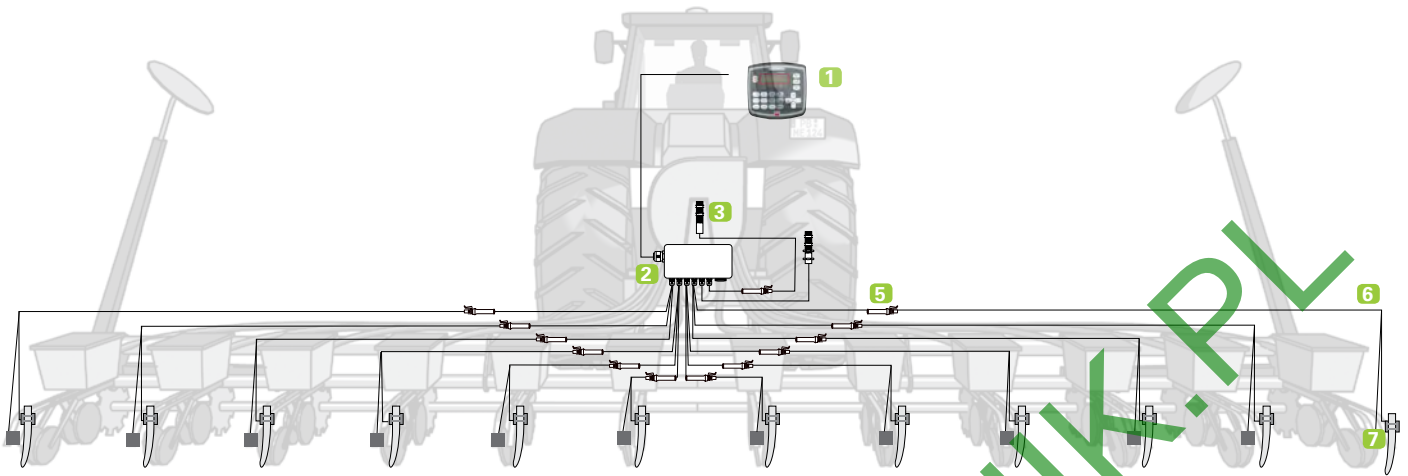
Precision planter

	PRECIMAT	ISOBUS monitoring module stand alone	ISOBUS PLANTER-Controller with junction box	ISOBUS PLANTER-Controller with monitoring module	ISOBUS PLANTER-Controller with control module	ISOBUS PLANTER-Controller MRC
Number of metering units	-	-	-	up to 12	up to 12	up to 12
Pre-metering	-	-	-	●	●	●
Target rate adjustment	-	-	-	●	●	●
Fan	1	1	2	2	2	2
Tramline control	-	-	●	-	●	●
Blockage monitoring	Without shut-off up to 18 rows, with shut-off up to 12 rows	up to 32 rows with 2 modules	42	170	106	120
Internal task counters	-	-	●	●	●	●
Product database	-	●	●	●	●	●
Hydraulic functions	-	-	-	●	●	●
ISOBUS	-	●	●	●	●	●
ISOBUS-TC	-	-	●	●	●	●
SECTION-Control	-	-	●	●	●	●
MULTI-Control	-	-	●	●	●	●

Shut-off clutches



Different versions of the electrical shut-off clutch		Item no.	Price €
1	Shut-off clutch	3038990031	313.00*
2	Shut-off clutch	3038990032	313.00*
3	Shut-off clutch	3038990033	313.00*
4	Shut-off clutch	3038990034	313.00*

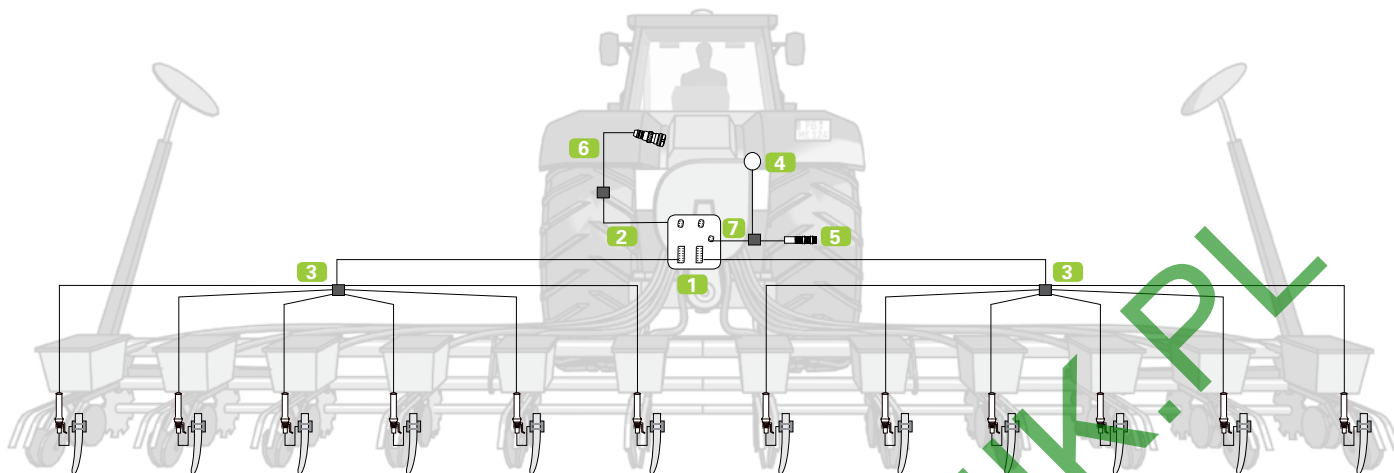


PRECIMAT		Item no.	Price €
1	PRECIMAT computer	30283650	525.00
2	Junction box for machines without a row shutoff system, up to 12 rows, 6.5 m	30283701	265.00
	Junction box for machines without a row shutoff system, up to 12 rows, 10 m	30283702	270.00
	Junction box for machines with a row shutoff system, up to 12 rows, 10 m	30283706	415.00
3	Rotational speed sensor with AMP connector	30303623	49.90
4	Connector cable for sensors, with 3-pin AMP socket on junction box available in different cable lengths	see Page 57	
5	Shut-off clutch connector cable, 5 m	30285057	19.10
	Shut-off clutch connector cable, 10 m	30285056	24.70
6	Shut-off clutch available in different variants	see Page 18	
7	Standard optical sensor with customer specific bracket	upon request	

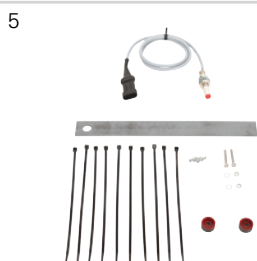


ISOBUS monitoring module

for precision planter

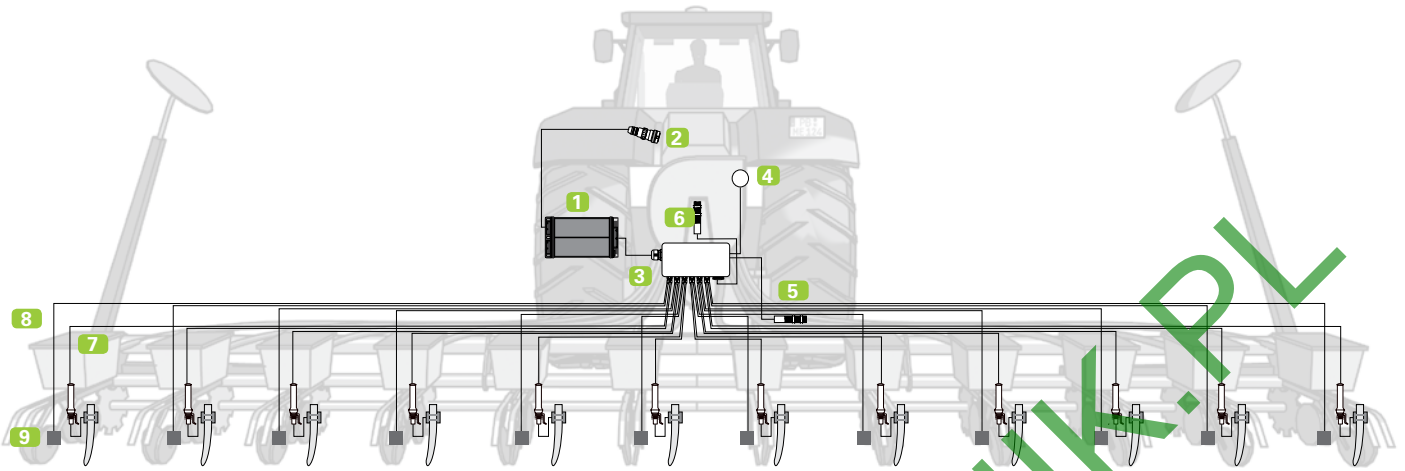


		Item no.	Price €
1	ISOBUS monitoring module precision planter	30284103	370.00
2	Adapter cable ISOBUS to monitoring/control module	30284116	245.00
3	Cable harness, monitoring module with 3-pin AMP socket	30284112	225.00
4	GPS speed sensor	30258330	355.00
5	Work position sensor, 1 m cable with AMP connector	30303615	43.80
6	Connector cable ISOBUS job computer available in different cable lengths	see Page 57	
7	Connection cable sensors monitoring/control module	30284117	81.20

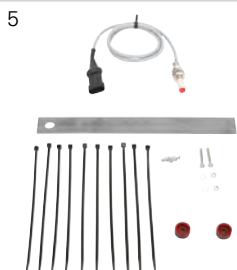


ISOBUS PLANTER-Controller

with junction box



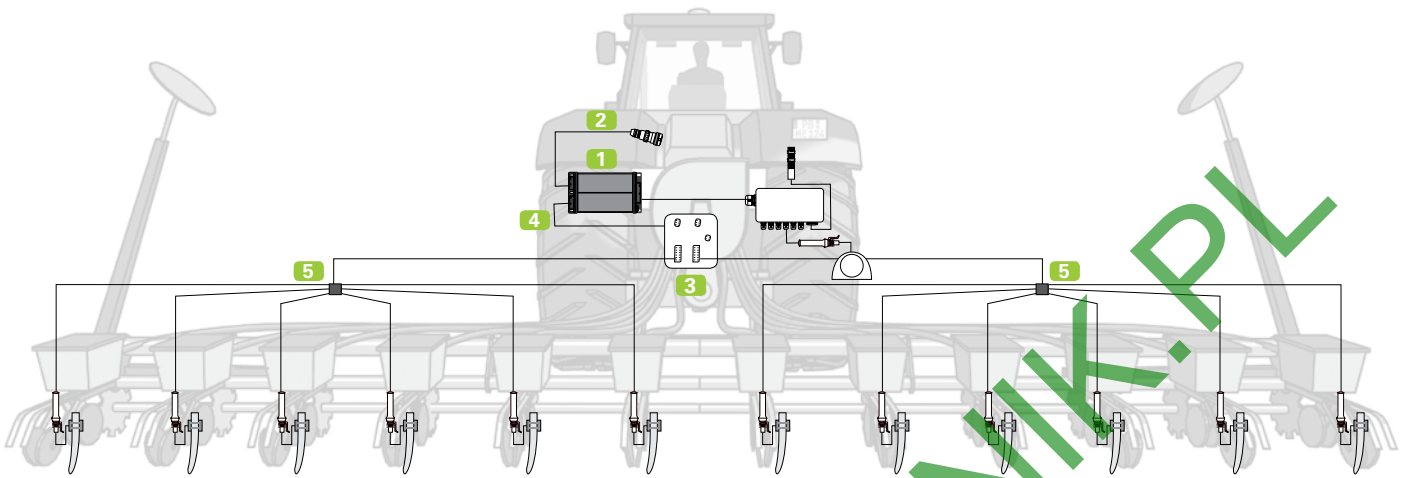
ISOBUS precision planter		Item no.	Price €
1	ECU-MIDI 3.0 precision planter ISOBUS job computer	3028501101	880.00
2	Connector cable ISOBUS job computer available in different cable lengths	see Page 57	
3	Universal junction box for ECU-MIDI 3.0 available in different cable lengths	see Page 57	
4	GPS speed sensor	30258330	355.00
5	Work position sensor, 1 m cable, with AMP connector	30303615	43.80
6	Rotational speed sensor with AMP connector	30303623	49.90
7	Connector cable for sensors, with 3-pin AMP socket on junction box available in different cable lengths	see Page 57	
8	Shut-off clutch connector cable, 5 m	30285057	19.10
	Shut-off clutch connector cable, 10 m	30285056	24.70
9	Shut-off clutch available in different variants	see Page 18	



* limited discount

ISOBUS PLANTER-Controller

with monitoring module

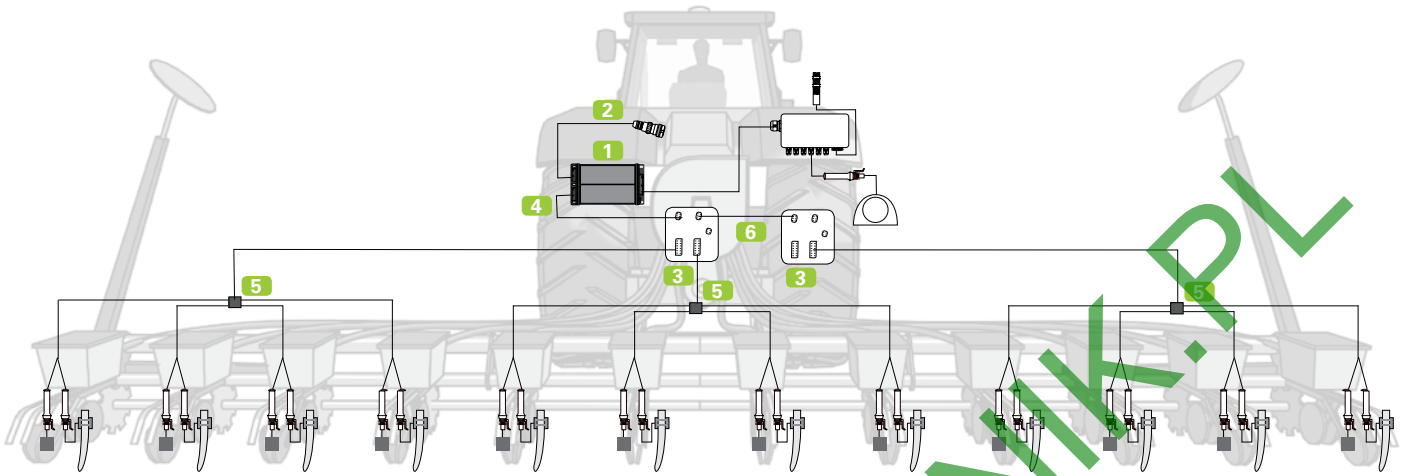


		Item no.	Price €
1	ECU-MIDI 3.0 precision planter ISOBUS job computer	3028501101	880.00
2	Connector cable ISOBUS job computer available in different cable lengths	see Page 57	
3	Monitoring module precision planter	30284100	370.00
4	Connector cable, monitoring/control module, 0.5 m	30284115	178.00
5	Cable harness, monitoring module with 4-pin AMP socket for PLANTirium®	30284110	240.00
6	PLANTirium® sensor, seed tube sensor for seed detection using imaging sensor technology	30293600	196.00



ISOBUS PLANTER-Controller

with control module

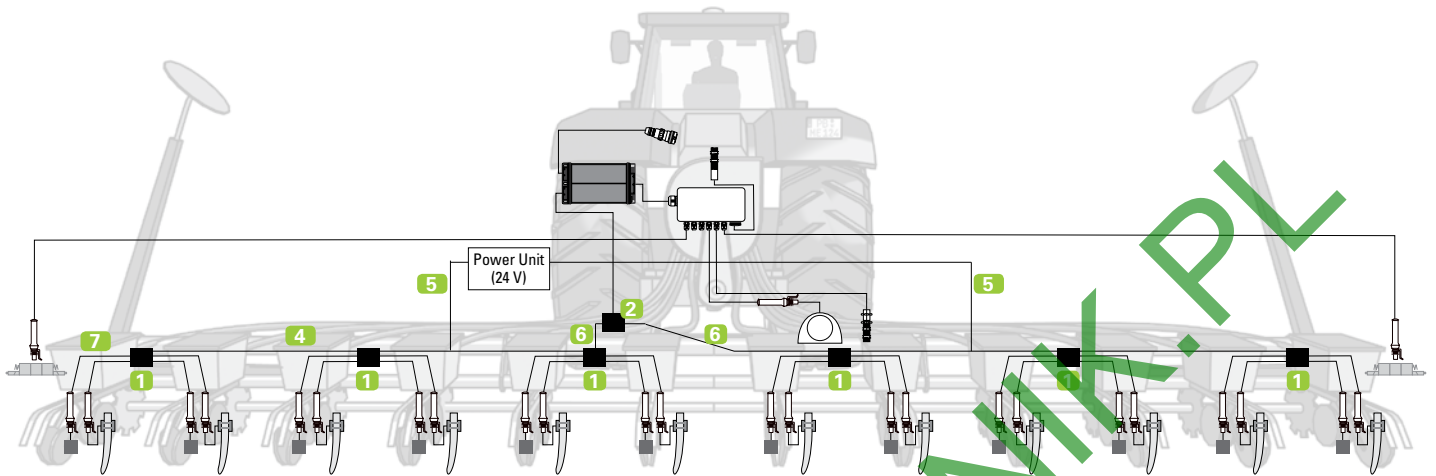


		Item no.	Price €
1	ECU-MIDI 3.0 precision planter ISOBUS job computer	3028501101	880.00
2	Connector cable ISOBUS job computer available in different cable lengths	see Page 57	
3	Control module precision planter	30284101	420.00
4	Connector cable, monitoring/control module 0.5 m	30284115	178.00
5	Cable harness, control module with 4-pin AMP socket for PLANTirium®	30284111	260.00
6	Connector cable between two MRC modules, 0,6 m	3039704004	97.70
	Connector cable between two MRC modules, 2 m	3039704000	104.00
7	PLANTirium® sensor, seed tube sensor for seed detection using imaging sensor technology	30293600	196.00
8	Shut-off clutch available in different variants	see Page 18	



ISOBUS PLANTER-Controller

with MRC module



ISOBUS precision planter		Item no.	Price €
1	MRC module	30397027	420.00
2	MRC cable harness with CAN repeater	3028405401	460.00
3	Connector cable, main to expansion job computer available in different cable lengths	see Page 57	
4	Connector cable between two MRC modules, 0.6 m	3039704004	97.70
	Connector cable between two MRC modules, 2 m	3039704000	104.00
5	Connector cable between 2 MRC modules with external supply input, 1.2 m	3039704001	134.00
6	Connection cable between CAN repeater and MRC module, with external power supply, 2 m	3039704003	136.00
7	Termination plug	3039704002	63.90
8	PLANTirium® sensor, seed tube sensor for seed detection using imaging sensor technology	30293600	196.00

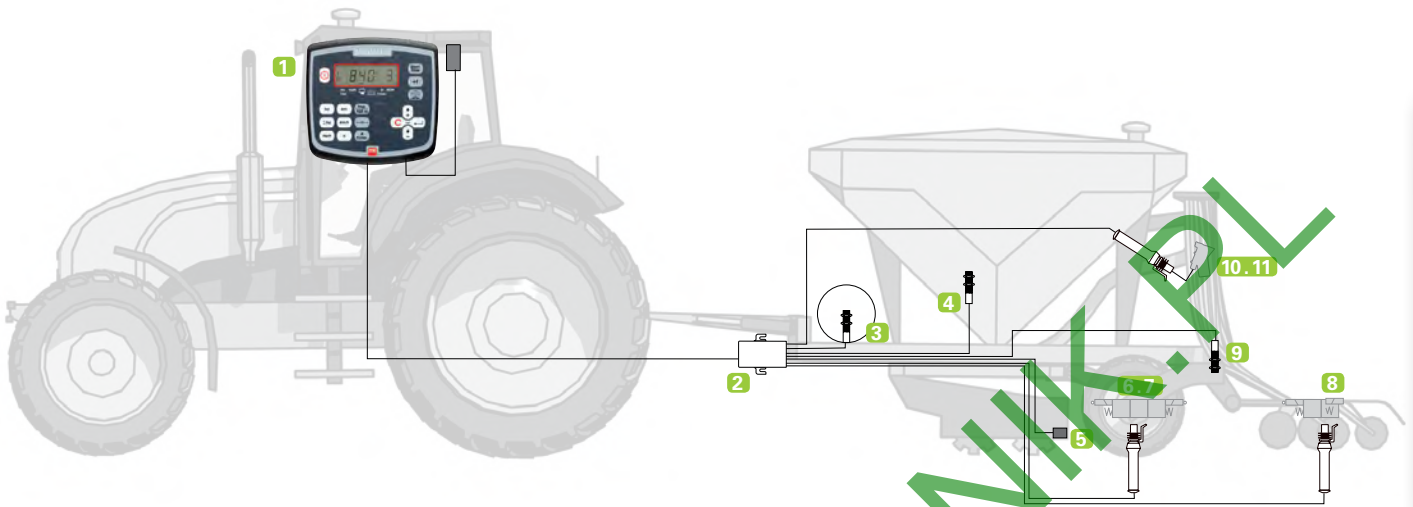
WWW.ROLTRONIK.PL

Function overview

Seeder

	DRILLMAT III	ISOBUS DRILL-Controller
Number of products	1	6
Number of metering units	–	up to 12
Pre-metering	–	on the work screen/ AUX-N joystick
Half width shutoff system	–	●
Target rate adjustment	–	●
Fan	1 monitoring	control up to 2 or monitoring
Tramline	Motor	Motor, solenoid (L & R)
Fill level sensor	1	●
Pre-emergence marker	Magnet	Magnet (L & R)
Blockage monitoring	–	ME Blockage, Agtron, DICKY-john
Internal task counter	–	●
Product database	–	●
Folding	–	●
Lifting/Lowering	–	●
ISOBUS	–	●
ISOBUS-TC	–	●
SECTION-Control	–	●
MULTI-Control	–	●

DRILLMAT III



DRILLMAT III		Item no.	Price €
1	DRILLMAT – computer with console and battery cable	30283615	520.00
Seeder equipment			
	Cable harness for tramline control motorized flap with sensors, 6.5 m	30283710	420.00
2	Cable harness for tramline control motorized flap with sensors, 12 m	30283715	450.00
	Cable harness for tramline control solenoid flap with sensors, 6.5 m	30283711	420.00

Scope of delivery:

- Bout marker output (6, 7)
- Level sensor (4)
- Wheel sensor (3)
- Metering shaft speed sensor (9)
- Fan speed sensor (3)

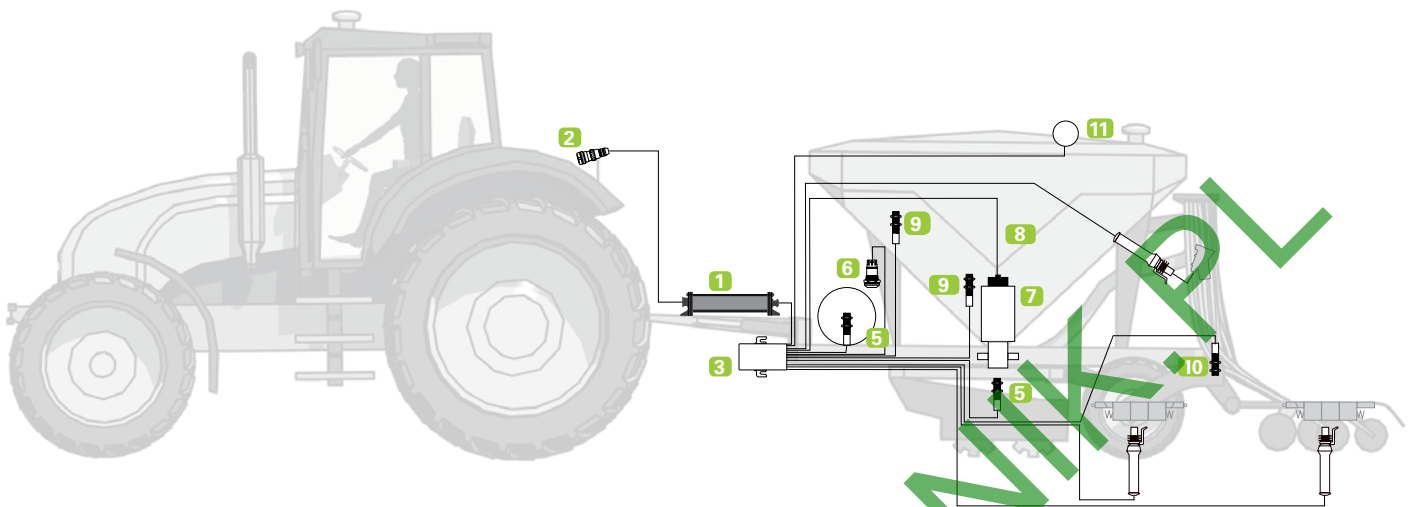
Outputs for:

- Pre-emergence marker (8)
- Left tramline valve (10)
- Right tramline valve (11)



* limited discount

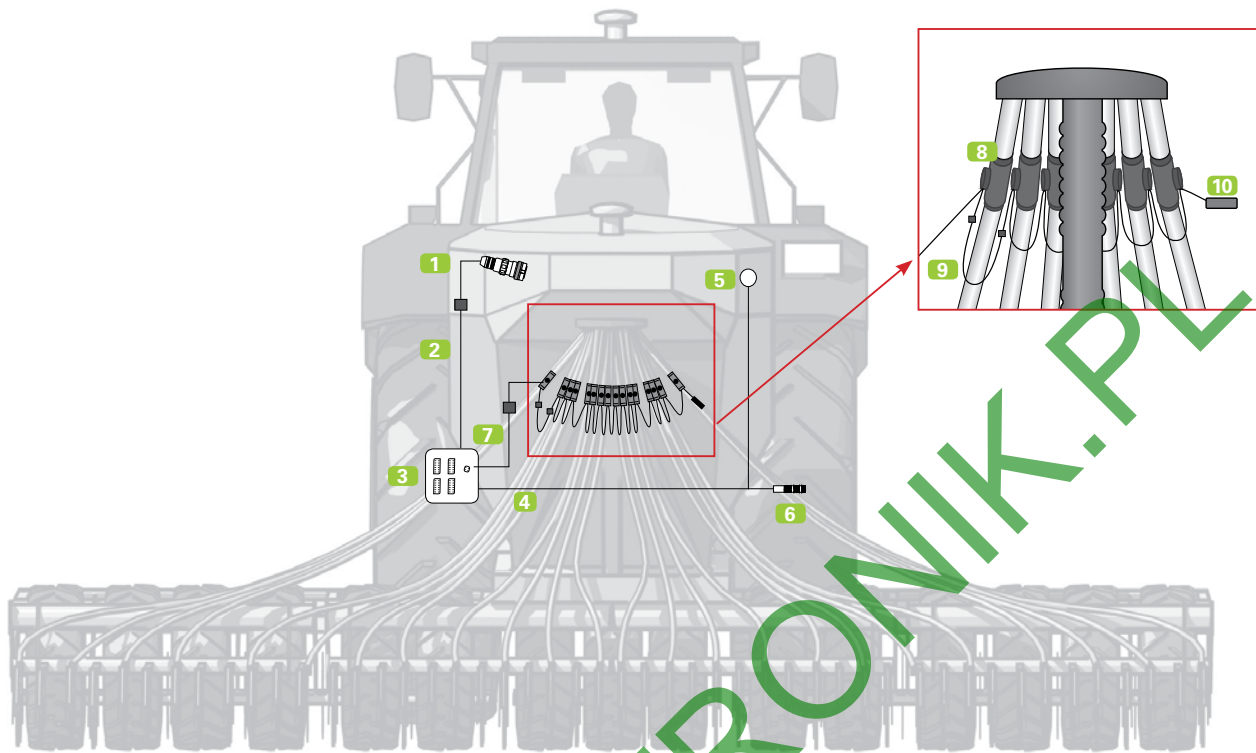
ISOBUS DRILL-Controller



ISOBUS seeder		Item no.	Price €
1	ECU-MIDI 3.0 seeder ISOBUS job computer	3028501101	880.00
2	Connector cable ISOBUS job computer available in different cable lengths	see Page 57	
3	Cable harness ISOBUS seeder with 2 metering drives	30285031	370.00
4	Universal junction box for ECU-MIDI 3.0 available in different cable lengths	see Page 57	
5	Rotational speed sensor with AMP connector	30303623	49.90
6	Calibration button with AMP connector	30285080	42.80
7	Electrical metering drive	30285051	690.00
	Electric metering drive, CAN version	30285052	960.00
8	Connector cable for electrical metering drive to junction box , 2 m	30285055	65.90
9	Level sensor , 1 m cable, with AMP connector	30303650	103.00
10	Work position sensor , 1 m cable, with AMP connector	30303615	43.80
11	GPS speed sensor	30258330	355.00
12	Connector cable for sensors, with 3-pin AMP socket on junction box available in different cable lengths	see Page 57	
Accessories			
13	Connector cable, main to expansion job computer available in different cable lengths	see Page 57	

ME Blockage

Stand-alone



		Item no.	Price €
1	Connector cable ISOBUS job computer available in different cable lengths	see Page 57	
2	Adapter cable ISOBUS to monitoring/control module	30284116	245.00
3	ISOBUS job computer ME Blockage	30293703	420.00
4	Connection cable sensors monitoring/control module	30284117	81.20
5	GPS speed sensor	30258330	355.00
6	Work position sensor, 1 m cable with AMP connector	30303615	43.80
7	Connector cable blockage sensor	30293702	62.00
8	ME blockage sensor, diameter 32 mm	30293700	157.00
	ME blockage sensor, diameter 45 mm	30293701	167.00
9	Extension cable ME blockage sensor, 1.5 m	3030329203	24.30
10	Dust protection cap	31300540	3.00

WWW.ROLTRONIK.PL

Funktion overview

Crop protection

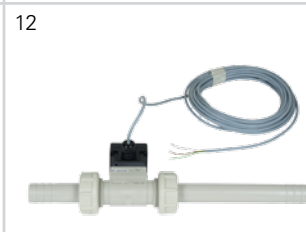
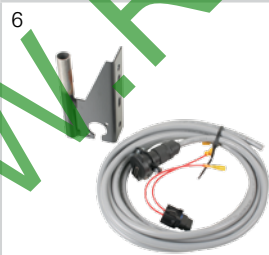
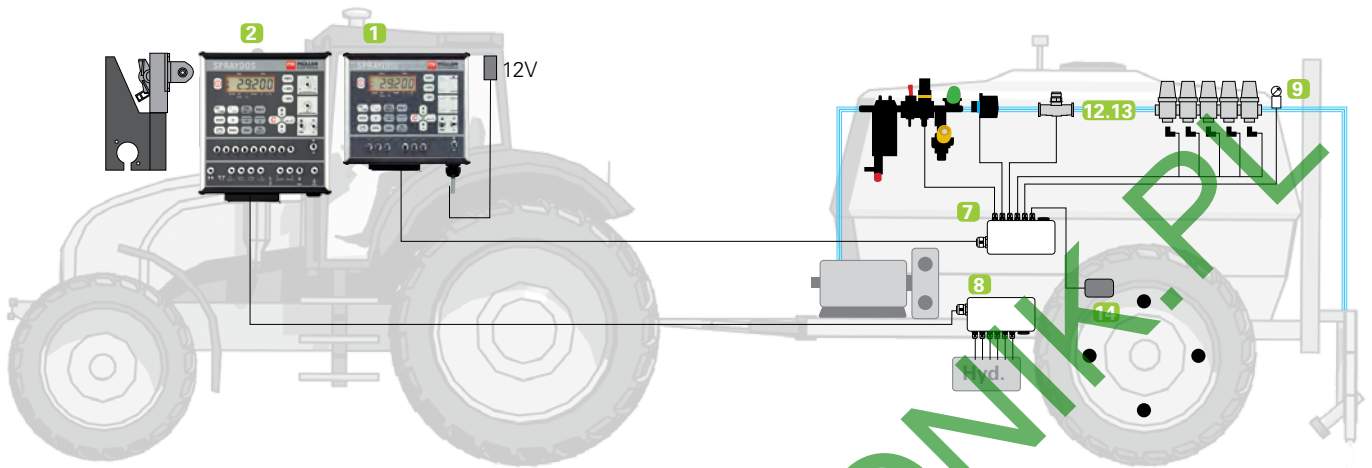
	SPRAYDOS short	SPRAYDOS long	ISOBUS SPRAYER-Controller
Application rate monitoring	●	●	●
Application rate regulation	●	●	●
ISOBUS system	-	-	●
Number of sections	9	9	up to 18 (with 2 job computers)
Hydraulic functions	4	13	up to 20 hydraulic functions per job computer
Trip and total counter	●	●	●
Task management (ISOBUS-TC)	via SC-BOX	via SC-BOX	●
Working with prescription maps	via SC-BOX	via SC-BOX	●
Fill level sensor(TANK-Control)	●	●	●
Filling, flushing and stirrer control (TANK-Control III)	-	-	●
Drawbar and axle steering (TRAIL-Control)	-	-	●
Boom height control system(DISTANCE-Control)	-	-	●
Boom height control system (DISTANCE-Control II)	-	-	●
Section Control (SECTION-Control)	via SC-BOX	via SC-BOX	●
Individual nozzle switching (SECTION-Control TOP)	-	-	up to 512
Automatic nozzle selection(VARIO-Select)	-	-	●
Turn Compensation (CURVE-Control)	-	-	●
Droplet size control (AIRTEC)	-	-	●
Multi product control (MULTI-Product)	-	-	●
Multi device control (MULTI-Device)	-	-	●
Multi boom control (MULTI-Boom)	-	-	●
Application rate control per section (MULTI RATE-Control)	-	-	●
Multi boom section control (MULTI SECTION-Control)	-	-	●
External keypads	-	-	up to 3x 8 keys
Joystick	via SC-BOX	via SC-BOX	●
S-Box	via SC-BOX	via SC-BOX	●
Weather station	via SC-BOX	via SC-BOX	●
Compatibility with agronomic sensors	via SC-BOX	via SC-BOX	●
Configuration	not necessary	not necessary	via PC

ISOBUS SPRAYER-Controller Orchard / Vineyard	ISOBUS HOEING-Controller
●	-
●	-
●	●
up to 18 (with 2 job computers)	up to 19 sections (49 hoeing elements) with 3 job computers
up to 20 hydraulic functions per job computer	up to 20 hydraulic functions per job computer
●	●
●	●
●	●
●	-
-	-
-	-
-	-
-	-
-	-
●	●
-	-
-	-
-	-
-	-
-	-
-	●
-	-
-	-
-	-
●	●
●	●
●	●
●	●
-	-
-	●

WWW.ROLTRONIK.PL

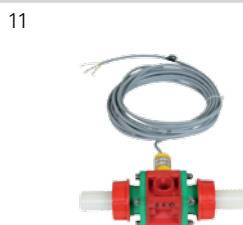
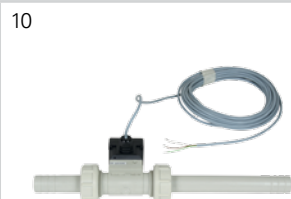
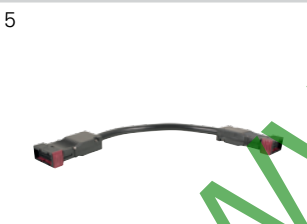
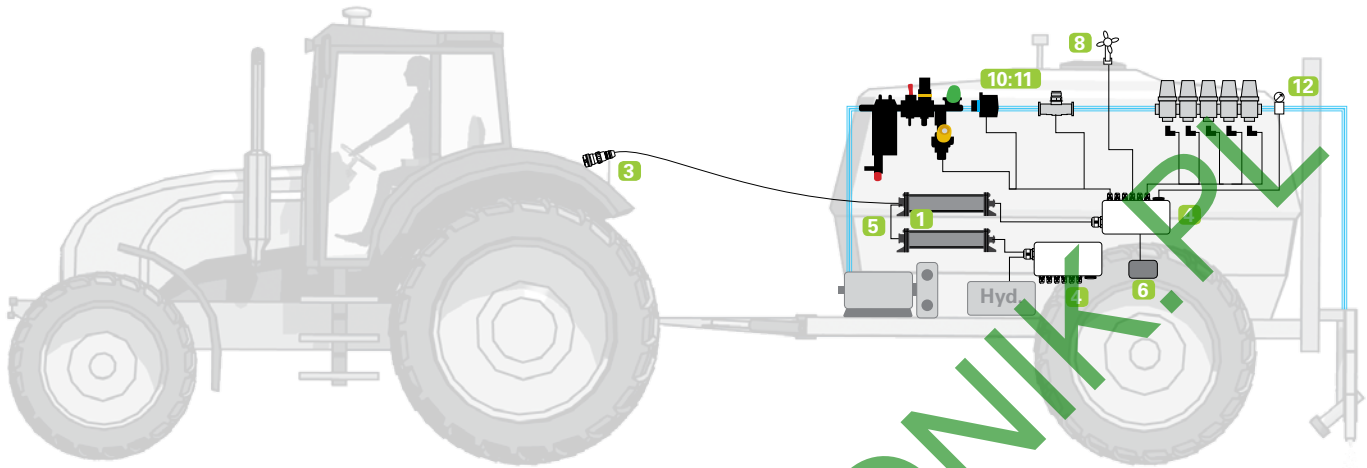
* limited discount

SPRAYDOS short/long



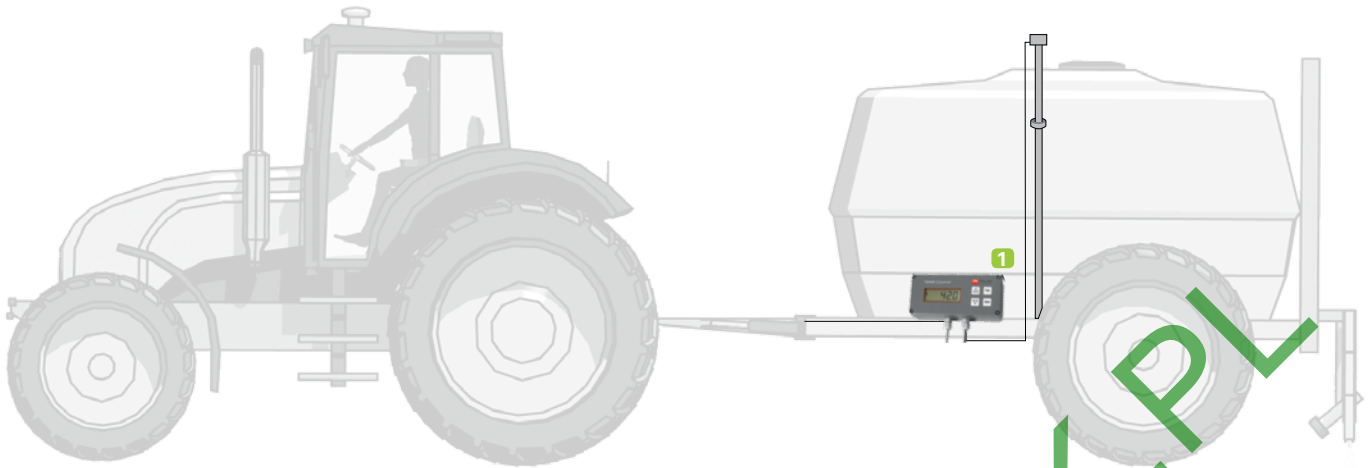
SPRAYDOS short		Item no.	Price €
1	SPRAYDOS computer, 5 sections, without hydraulics, with bracket	30221001	1,090.00
	SPRAYDOS computer, 7 sections, without hydraulics, with bracket	30221011	1,110.00
	SPRAYDOS computer, 9 sections, without hydraulics, with bracket	30221021	1,130.00
SPRAYDOS long			
2	SPRAYDOS long, 5 sections, with expandable hydraulic functions	30221151	1,290.00
	SPRAYDOS long, 7 sections, with expandable hydraulic functions	30221161	1,310.00
	SPRAYDOS long, 9 sections, with expandable hydraulic functions	30221171	1,320.00
Basic vehicle harness			
Any one of these basic vehicle harnesses is necessary for equipping a second tractor			
3	Tractor basic vehicle harness, for tractors without signal socket, mounting bracket for computer, sensor X (wheel sensor) /drive shaft with 6 m cable, battery connector cable and installation material	302724	128.00
4	Tractor basic vehicle harness, for tractors with signal socket in accordance with DIN 9684.1 and ISO 11786 (7-pin), KHD, UNIMOG (Unicomp), FENDT, John Deere, Case-Steyr	302729	210.00
5	Trailed sprayer basic vehicle harness, mounting bracket for computer, sensor X (trailed sprayer) with 10 m cable without connector, battery connector cable and installation material	30273305	133.00
6	Basic vehicle harness without sensor, mounting bracket for computer and battery connector cable	30273505	66.40
Junction box			
7	Junction box for SPRAYDOS, 6.5 m cable with 39-pin male connector for manifold and hydraulics	30221070	390.00
	Junction box for SPRAYDOS, 10 m cable with 39-pin male connector for manifold and hydraulics	30221075	370.00
8	Junction box for SPRAYDOS, 6.5 m cable with 30-pin male connector for hydraulic system	30221080	400.00
	Junction box for SPRAYDOS, 10 m cable with 30-pin male connector for hydraulic system	30221081	420.00
Pressure sensor			
9	Pressure sensor 0 – 16 bar, 1 m cable with AMP connector	30303591	305.00
10	Connector cable for sensors, with 3-pin AMP socket on junction box available in different cable lengths	see Page 57	
11	Accessory bag pressure sensor	NET 31243210	16.80
Flow meter			
12	Flow meter Bürkert, Inline DN 20, 10 bar, 7 m cable without connector, 8 - 140 l/min	30244510	540.00
	Flow meter Bürkert, Inline DN 25, 10 bar, 7 m cable without connector 14 – 220 l/min	30244710	550.00
13	Polmac 1" Turbo-Flow flow meter, 30 bar, 7 m cable without connector, 6 - 140 l/min	30244910	345.00
Accessories			
14	Sensor X for wheel/drive shaft, 6 m cable with 3-pin connector	312083	59.30
15	Sensor X for trailed sprayer (12 magnets) for slip-free speed tracking	312583	65.70
16	GPS speed sensor	30258330	355.00
17	Extension cable for GPS speed sensor 11 m with AMP socket and 3-pin connector	30303290	32.80
Momentary switch for motoric slope compensation, max. 15 Ampere		30221030	71.00
Momentary switch for slope compensation with linear actuator , max. 4 Ampere		30221185	27.30
Hydraulic function with momentary switch max. 4 Ampere, max. 4 functions possible		30221180	22.00

ISOBUS SPRAYER-Controller



ISOBUS job computer with expansion job computer for sprayers		Item no.	Price €
1	ISOBUS Sprayer Controller MIDI 3.0	3032245501	880.00
	ECU-MIDI 3.0 sprayer ISOBUS job computer add-in job computer	3032245601	880.00
2	ISOBUS control module, sprayer	30284102	420.00
VARIO-Select activation for automatic nozzle selection		30303080	1,040.00
AIRTEC activation for droplet size control		30303075	1,510.00
AIRTEC II activation for droplet size control		30303078	2,170.00
3	Connector cable ISOBUS job computer available in different cable lengths	see Page 57	
4	Universal junction box for ECU-MIDI 3.0 available in different cable lengths	see Page 57	
Accessories			
5	Connector cable, main to expansion job computer available in different cable lengths	see Page 57	
6	Sensor X (speed), trailed sprayer, 1 m cable with AMP connector, 12 magnets	30303621	71.80
7	GPS speed sensor	30258330	355.00
8	Anemometer for sprayers, 3 m cable with 3-pin AMP connector	30303705	205.00
9	Connector cable for sensors, with 3-pin AMP socket on junction box available in different cable lengths	see Page 57	
Flow meter			
10	Inline flow meter (Bürkert) DN 20, 10 bar, 7 m cable without connector, 8 - 140 l/min	30244510	540.00
	Inline flow meter (Bürkert) DN 25, 10 bar, 7 m cable without connector, 14 - 220 l/min	30244710	550.00
11	Flow meter Polmac 1" Turbo-Flow 30 bar, 7 m cable without connector, 6 - 140 l/min	30244910	345.00
Pressure sensor			
12	Pressure sensor 0 - 16 bar, 1 m cable with AMP connector	30303591	305.00
13	8 m connector cable for sensors, with 3-pin AMP socket to junction box	30303297	15.80
14	Accessory bag pressure	NET 31243210	16.80

TANK-Control



Optional for all sprayer control systems

TANK-Control		Item no.	Price €
The first number in the article text is the maximum measurement value, while the second number is the overall length of the sensor.			
1	TANK-Control with level sensor 1200/1380	30252003	1,030.00
	TANK-Control with level sensor 1440/1620	30252006	1,050.00
	TANK-Control with level sensor 1600/1780	30252011	1,080.00
	TANK-Control with level sensor 1840/2020	30252021	1,130.00
	TANK-Control with level sensor 2080/2260	30252045	1,510.00
	TANK-Control with level sensor 2400/2580	30252051	1,510.00
Accessories			
2	Connection cable for sensors, with 3-pin AMP socket on junction box available in different cable lengths (is required for connection to the junction box).	see Page 57	
3	Operating device fill stop for job computer, with 6-pin AMP connector for ball valve* <i>* The ball valve can be sourced from an agricultural technology accessories shop.</i>	30252820	121.00

1



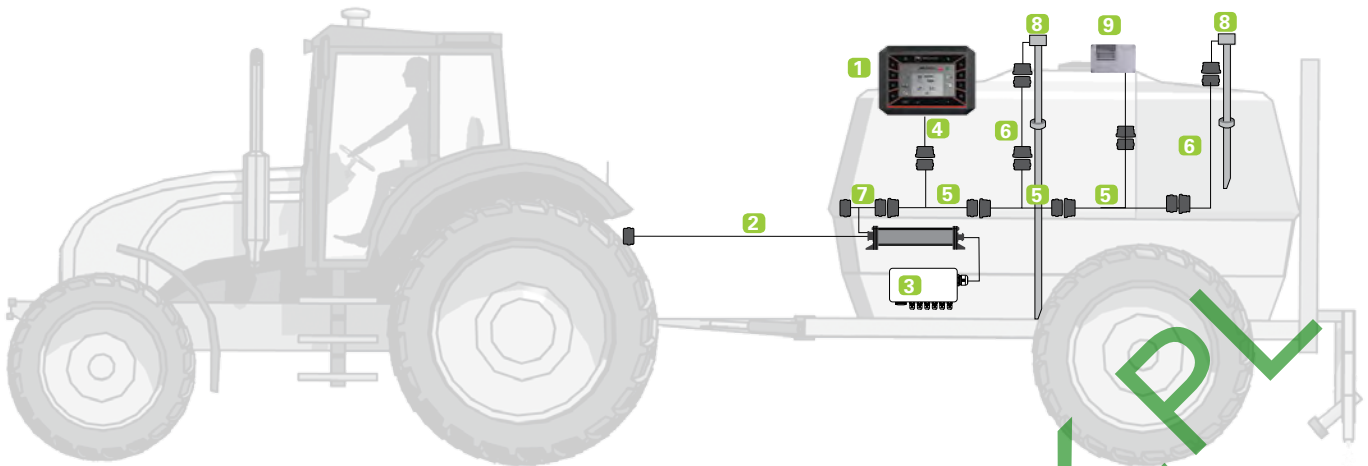
2



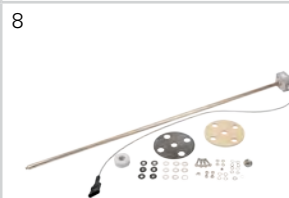
3



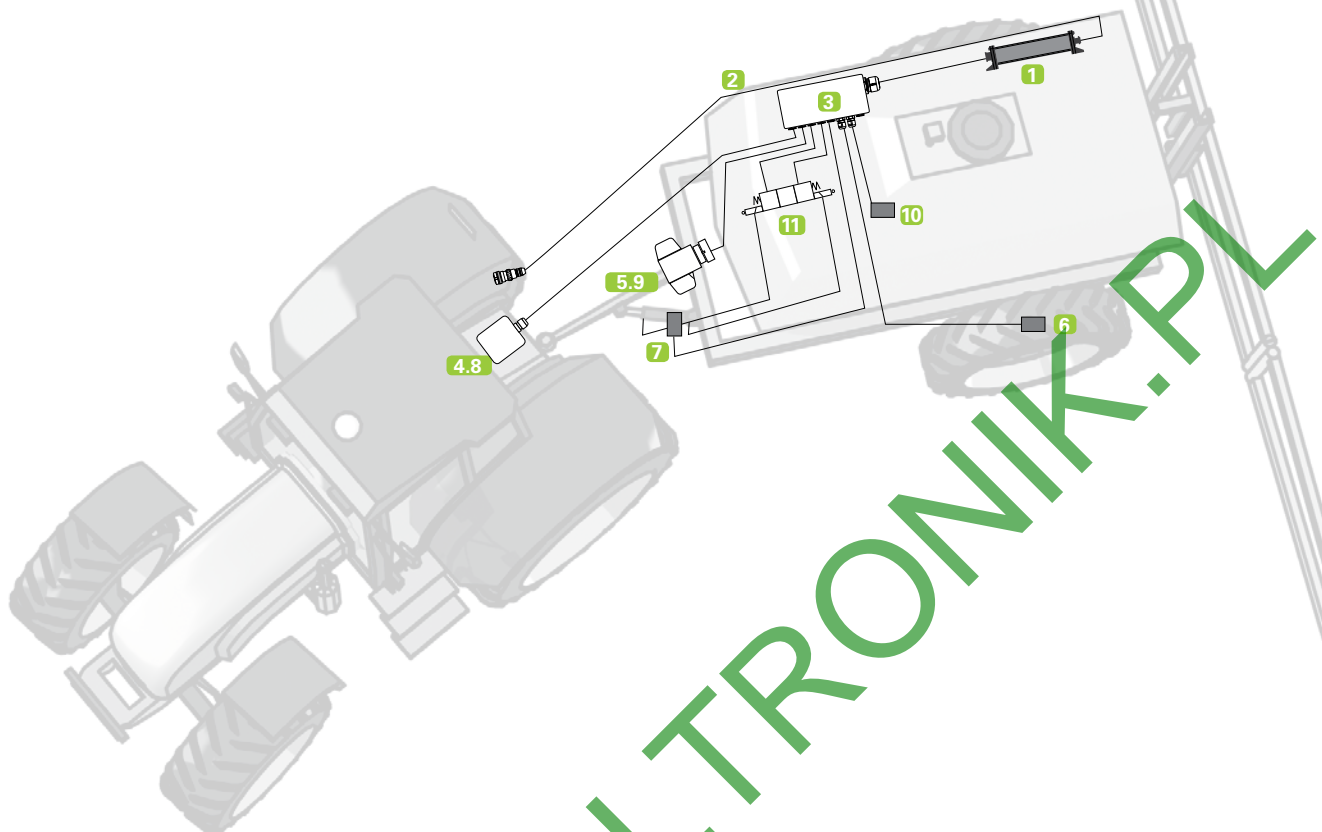
TANK-Control III



TANK-Control III		Item no.	Price €
1	TANK-Control III	30252080	610.00
2	Connector cable, main to expansion job computer available in different cable lengths	see Page 57	
3	Universal junction box for ECU-MIDI 3.0 available in different cable lengths	see Page 57	
4	FlexWire connector cable for TANK-Control III	3025208020	147.00
5	FlexWireY cable with 3x 6-pin AMP connector	3025208010	109.00
6	FlexWire extension cable 3.5 m with 6-pin AMP connector	3025208035	46.40
	FlexWire extension cable 7.5 m with 6-pin AMP connector	3025208036	56.20
7	FlexWireY cable on MIDI 3.0	3025208030	235.00
8	TANK-Control III with level sensor 800/980	30252061	910.00
	TANK-Control III with level sensor 1120/1300	30252071	955.00
	TANK-Control III with level sensor 1440/1620	30252062	985.00
	TANK-Control III with level sensor 1600/1780	30252064	1,040.00
	TANK-Control III with level sensor 1840/2020	30252066	1,060.00
	TANK-Control III with level sensor 2080/2260	30252068	1,190.00
9	Additional display tank content for MIDI 3.0	31252002	230.00



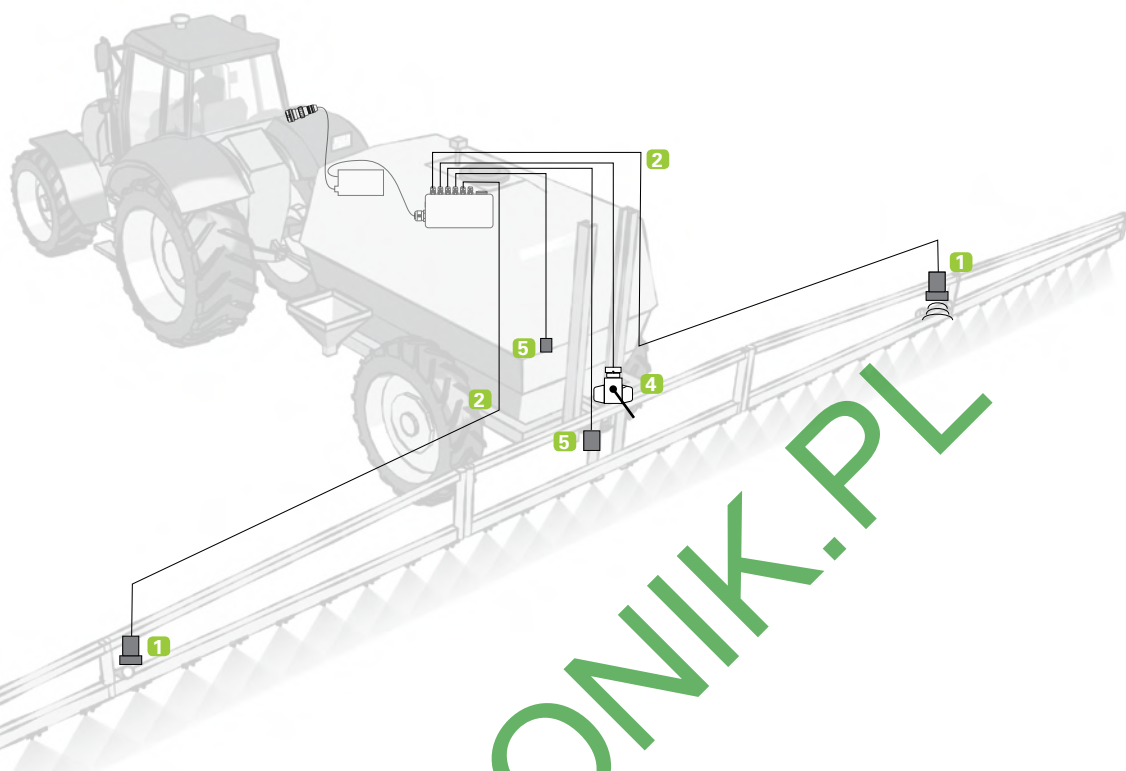
ISOBUS TRAIL-Control



<p>1</p> 	<p>2</p> 	<p>3</p> 	<p>4.8</p> 
<p>5.9</p> 	<p>6</p> 	<p>7</p> 	<p>10</p> 
<p>11</p> 	<p>12</p> 	<p>13</p> 	

ISOBUS TRAIL-Control stand-alone solution		Item no.	Price €
1	ISOBUS TRAIL-Control stand-alone job computer	3032245701	880.00
2	Connector cable ISOBUS job computer available in different cable lengths	see Page 57	
3	Universal junction box for ECU-MIDI 3.0 available in different cable lengths	see Page 57	
4	Gyroscope with 2x bracket, with AMP connector	30303685	330.00
5	Angle sensor 30° with AMP connector, without cable, with boom	30303672	162.00
	Angle sensor 60° with AMP connector, without cable, with boom	30303673	162.00
	Angle sensor 120° with AMP connector, without cable, with boom	30303675	158.00
6	Sensor X, trailed sprayer, 6 m cable without connector with 12 magnets	312583	65.70
7	Sensor Y, 1 m cable with AMP connector without installation material	31302506	34.30
TRAIL-Control as an option for job computer MIDI 3.0			
8	Gyroscope with 2x bracket, with AMP connector	30303015	485.00
9	Angle sensor with AMP connector, without cable, with boom		
Optional			
10	Electronic slope sensor with 1 m cable and AMP connector	30303690	151.00
11	Proportional valve	302923	1200.00
Optional: To connect to SPRAYER-Controller			
12	Connector cable, main to expansion job computer available in different cable lengths	see Page 57	
A connector cable is required for sensors and gyroscope			
13	Connector cable for sensors, with 3-pin AMP socket on junction box available in different cable lengths	see Page 57	

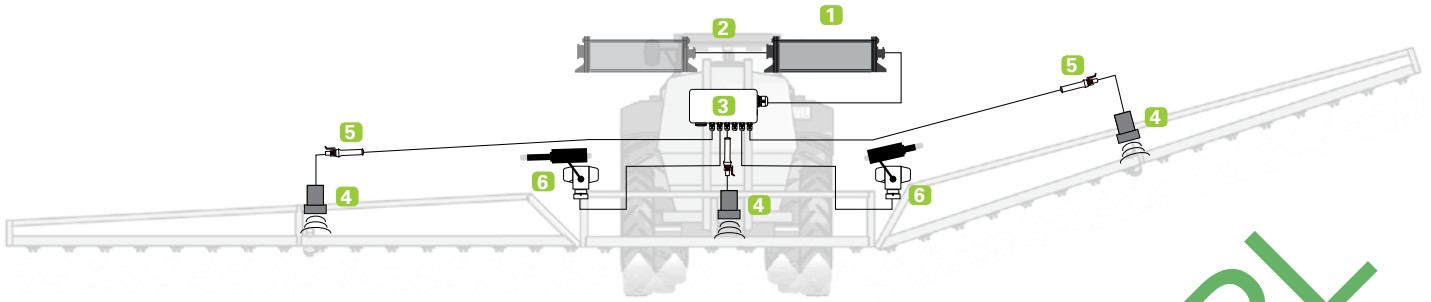
ISOBUS DISTANCE-Control



ISOBUS DISTANCE-Control with 2 ultrasonic sensors, with 1 slope sensor		Item no.	Price €
1	2 ultrasonic sensors	30303058	1,550.00
2	Connector cable, ultrasonic sensor, 20 m		
3	Accessory bag for DISTANCE-Control		
4	Angle sensor with AMP connector, without cable, with boom		
5	Electronic slope sensor with 1 m cable and AMP connector		
ISOBUS DISTANCE-Control with 2 ultrasonic sensors, with 2 slope sensors		30303059	1,650.00
1	2 ultrasonic sensors		
2	Connector cable, ultrasonic sensor, 20 m		
3	Accessory bag for boom control		
5	2 electronic slope sensors with 1 m cable and AMP connector		



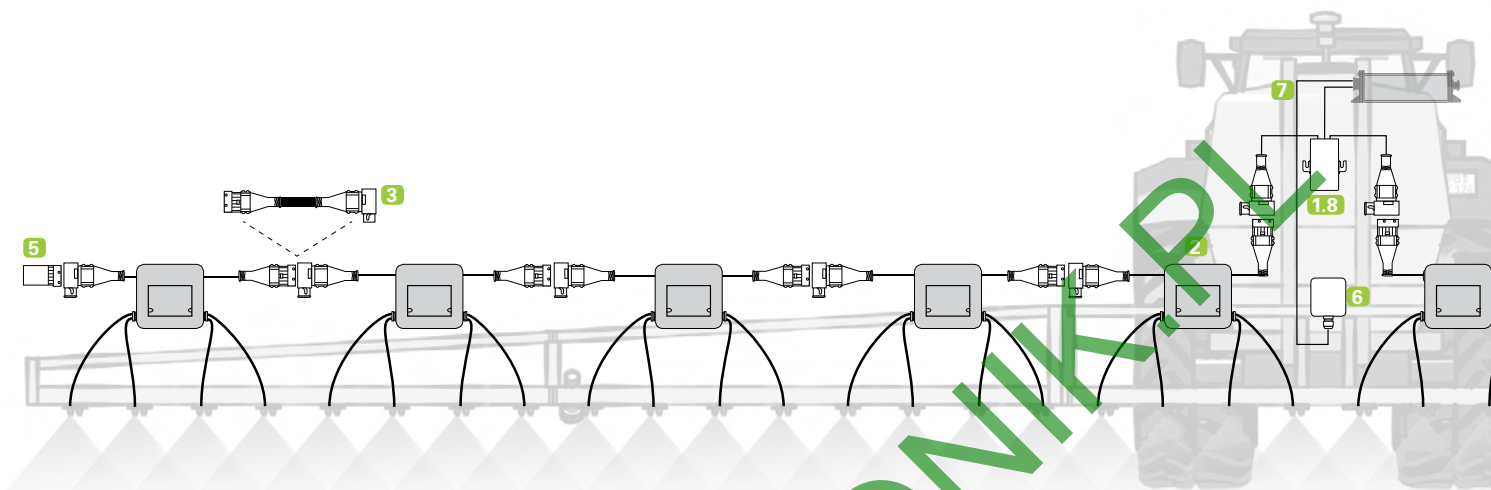
ISOBUS DISTANCE-Control II



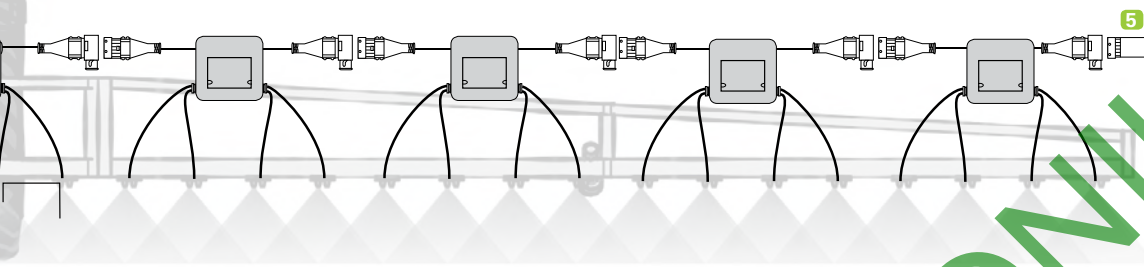
ISOBUS DISTANCE-Control II		Item no.	Price €
1	DISTANCE-Control II job computer	3030316501	880.00
2	Connector cable, main to expansion job computer available in different cable lengths	see Page 57	
3	Junction box for DISTANCE-Control II, 4 m	30303167	420.00
4	Ultrasonic sensor for boom control	30217518	350.00
5	Connector cable, ultrasonic sensor, 20 m	31303050	43.90
6	Angle sensor 30° with AMP connector, without cable, with boom	30303672	162.00
	Angle sensor 60° with AMP connector, without cable, with boom	30303673	162.00
	Angle sensor 120° with AMP connector, without cable, with boom	30303675	158.00
7	Connector cable for sensors, with 3-pin AMP socket on junction box available in different cable lengths	see Page 57	
8	Y cabel, 2 m for 2x sensors (US)	31303052	72.00
	Y cabel, 4 m for 2x sensors (US)	31303053	74.80
	Y cabel, 6 m for 2x sensors (US)	3130305300	81.00



SECTION-Control TOP

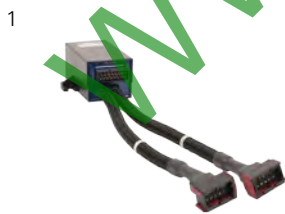


Job computer EDS		Item no.	Price €
1	EDS communication module	3030308530	515.00
EDS equipment			
	EDS module, quadruple, 6 mm air Single, for single nozzle mount, cable length 2x 1.1 m	3030308303	435.00
2	EDS module, quadruple, 6 mm air Twin, for twin nozzle mount, cable length 2x 0.6 m	3030308304	430.00
	EDS module, quadruple, 6 mm air Quattro, for quadruple nozzle mount, cable length 2x 0.35 m	3030308305	425.00
	Extension cable, 0.85 m, with 10-pin socket / 10-pin connector	3030308320	70.40
3	Extension cable, 1.35 m, with 10-pin socket / 10-pin connector	3030308321	72.30
	Extension cable, 2.35 m, with 10-pin socket / 10-pin connector	3030308322	73.40
4	Quick exhaust valve for EDS module, 6 mm, 100-piece packaging unit	NET 3030308335	8.00
5	EDS-CAN termination plug, 120 Ohm	3130308311	31.20
Optional for gyroscope			
6	Gyroscope with 2x bracket, with AMP connector	30303685	330.00
VARIO-Select activation for automatic nozzle selection		30303080	1,040.00
A connector cable is required for sensors and gyroscope			
7	Connector cable for sensors, with 3-pin AMP socket on junction box available in different cable lengths	see Page 57	



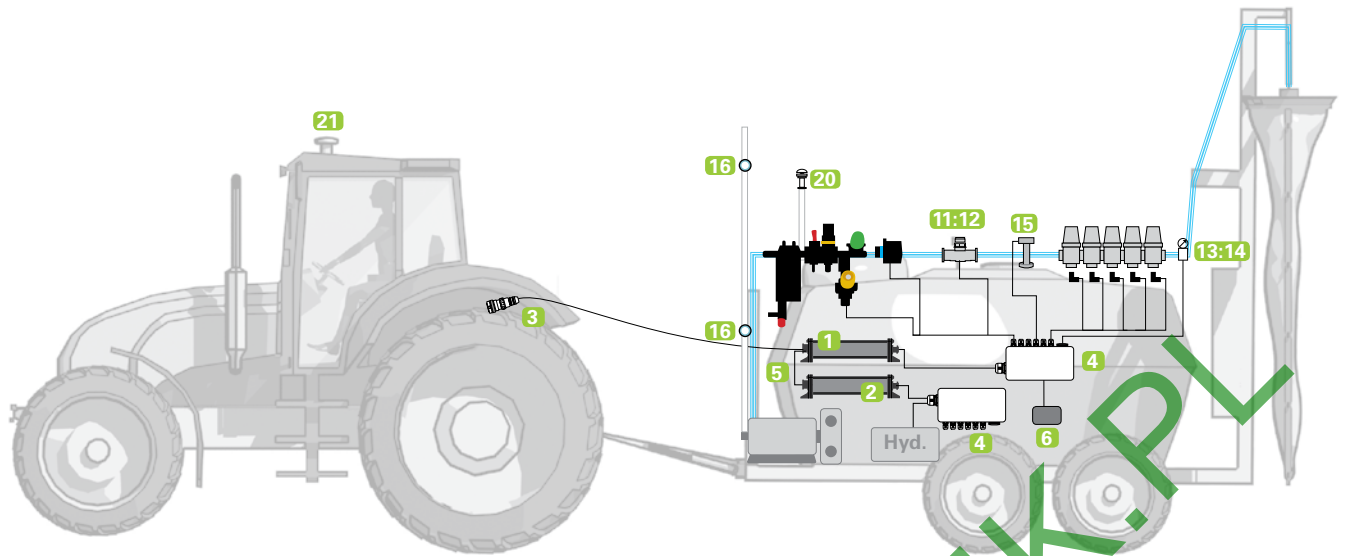
Optional for MIDI 3.0

EDS electric job computer		Item no.	Price €
8	Communication module for HYPRO-EDS	3030308533	735.00
	Communication module for LECHLER ESV	3030308532	735.00



* limited discount

ISOBUS SPRAYER-Controller Orchard/Vineyard



1, 2



3



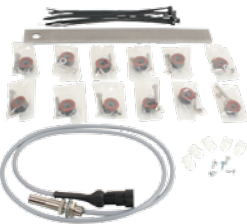
4



5



6



7



8



9



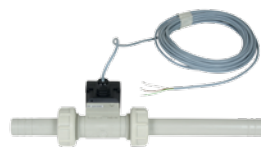
10



11



12



13



14



15



16



17



18

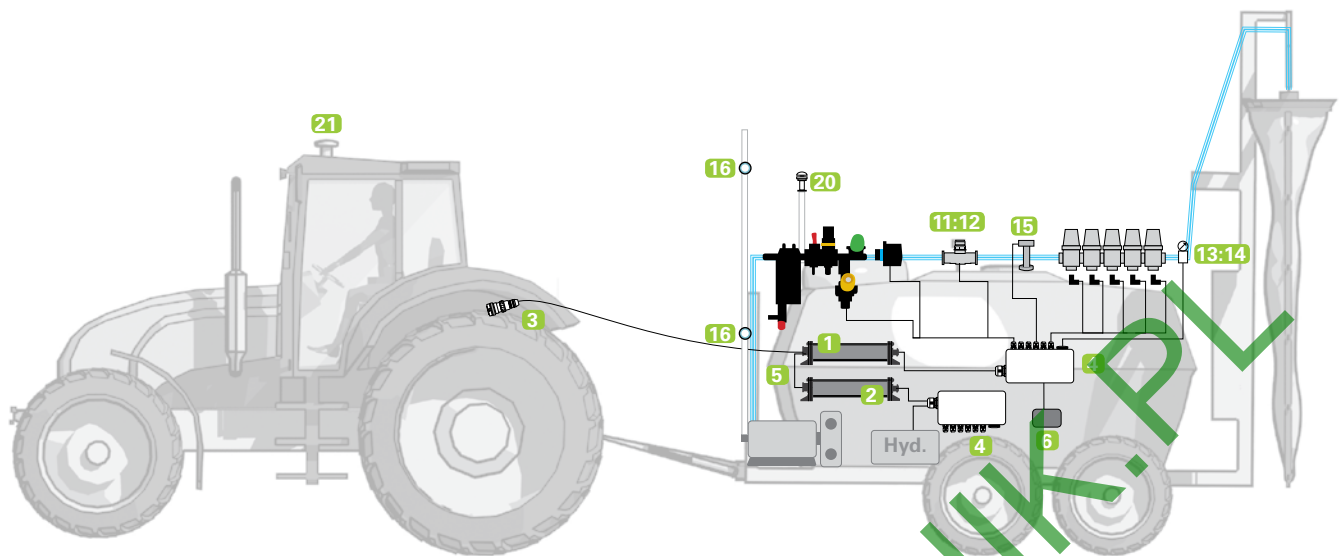


19



ISOBUS job computer with expansion job computer for orchard/vineyard sprayers		Item no.	Price €
1	ISOBUS job computer MIDI 3.0 orchard/vineyard	3030383000	880.00
2	ISOBUS job computer MIDI 3.0 orchard/vineyard expansion job computer	3030383001	880.00
3	Connector cable ISOBUS job computer available in different cable lengths	see Page 57	
4	Universal junction box for ECU-MIDI 3.0 available in different cable lengths	see Page 57	
5	Connector cable, main to expansion job computer available in different cable lengths	see Page 57	
6	Sensor X (speed), trailed sprayer, 1 m cable with AMP connector, 12 magnets	30303621	71.80
7	GPS speed sensor	30258330	355.00
8	Connector cable for sensors, with 3-pin AMP socket on junction box available in different cable lengths	see Page 57	
9	Universal cable harness orchard/vineyard	3030383002	335.00
10	Adapter AMP 3-pin to valve connector, 1,5 m	3030383003	15.70
	Adapter AMP 3-pin to valve connector, 3 m	3030383004	17.50
Flow meter			
11	Flow meter Polmac 1" Turbo-Flow 30 bar, 7 m cable without connector, 6 - 140 l/min	30244910	345.00
12	Flow meter (Bürkert), Inline DN 20, 10 bar, 7 m cable without connector, 8 - 140 l/min	30244510	540.00
	Flow meter (Bürkert), Inline DN 25, 10 bar, 7 m cable without connector, 14 - 220 l/min	30244710	550.00
Pressure sensor			
13	Pressure sensor 0 - 16 bar, 1 m cable with AMP connector	30303591	305.00
14	Pressure sensor, 0 - 50 bar, 1 m cable	312428	335.00
TANK-Control			
The first number in the article text is the maximum measurement value, while the second number is the overall length of the sensor.			
15	TANK-Control with fill level sensor, available in different versions	see Page 38	
Gap detection using ultrasonic sensors			
License US Sensor SECTION Switch		3030383005	1,040.00
16	Ultrasonic sensor 130 4 - 20 mA (working area 20 - 130 cm)	3030383006	380.00
	Ultrasonic sensor 340 4 - 20 mA (working area 35 - 340 cm)	3030383007	410.00
	Ultrasonic sensor 600 4 - 20 mA (working area 60 - 600 cm)	3030383008	440.00
17	Extension connection cable ultrasonic sensors, 12 m	31303042	64.00
	Extension connection cable ultrasonic sensors, 16 m	31303045	65.10
18	Connection cable ultrasonic sensors to junction box, 20 m	31303050	43.90
19	Accessory bag (brackets, mounting material) for 2 ultrasonic sensors	31303051	46.10

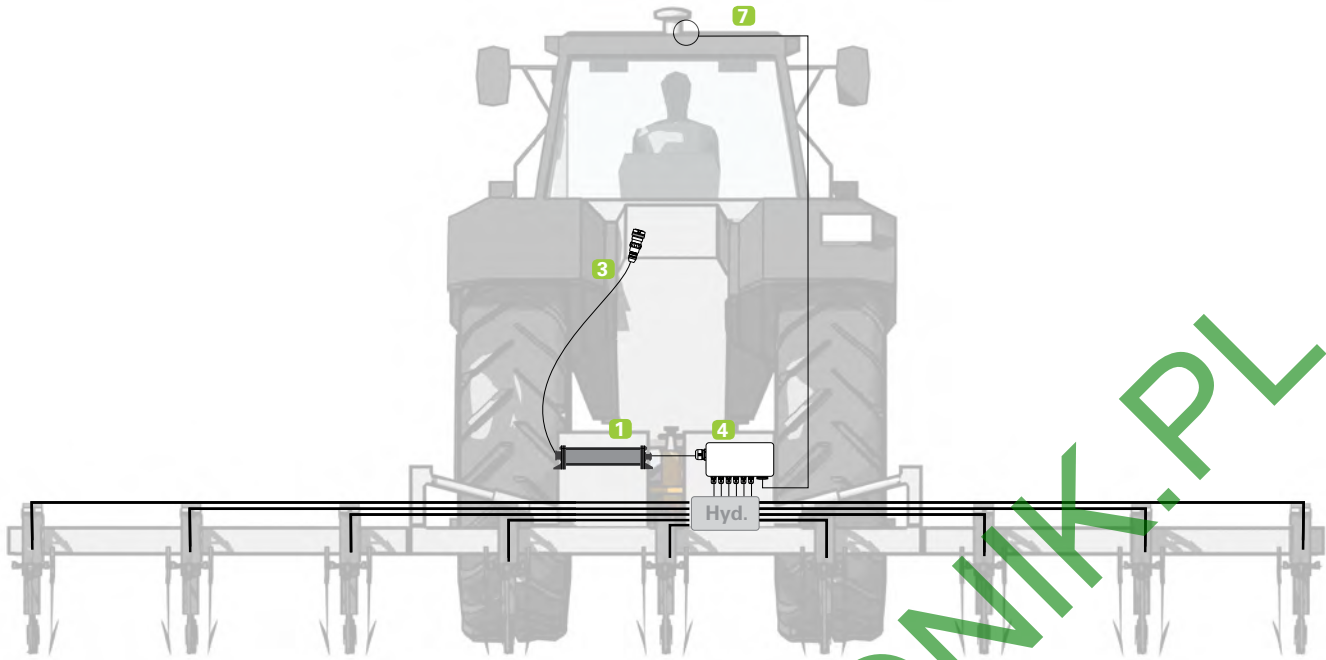
ISOBUS SPRAYER-Controller Orchard/Vineyard



Headland detection using the GPS compass direction			
Version 1: GNSS/RTK antenna connection to the terminal			
21	GNSS/RTK antenna	see Page 14	
Version 2: ISOBUS Weather Station			
Connection of the ISOBUS Weather Station to the terminal		see Page 11	
20	Connection of the ISOBUS Weather Station to the ISOBUS	3030247110	2,450.00
Connection cable ISOBUS 6.5 m, with connection ISOBUS Weather Station		3030314005	300.00
Version 3: GNSS antenna connection to the ISOBUS			
GNSS receiver AG-200 with CAN output		upon request	
Connection cable AG-200 CAN output to FlexWire		upon request	



ISOBUS HOEING-Controller



ISOBUS job computer with expansion job computer for hoeing machines		Item no.	Price €
1	ISOBUS job computer MIDI 3.0 hoeing	30335001	880.00
	ISOBUS job computer MIDI 3.0 hoeing with expansion job computer	30335002	880.00
2	Connector cable ISOBUS job computer available in different cable lengths	see Page 57	
3	Universal junction box for ECU-MIDI 3.0 available in different cable lengths	see Page 57	
Accessories			
4	Connector cable, main to expansion job computer available in different cable lengths	see Page 57	
5	Sensor X (speed), trailed sprayer, 1 m cable with AMP connector, 12 magnets	30303621	71.80
6	GPS speed sensor	30258330	355.00
7	Connector cable for sensors, with 3-pin AMP socket on junction box available in different cable lengths	see Page 57	

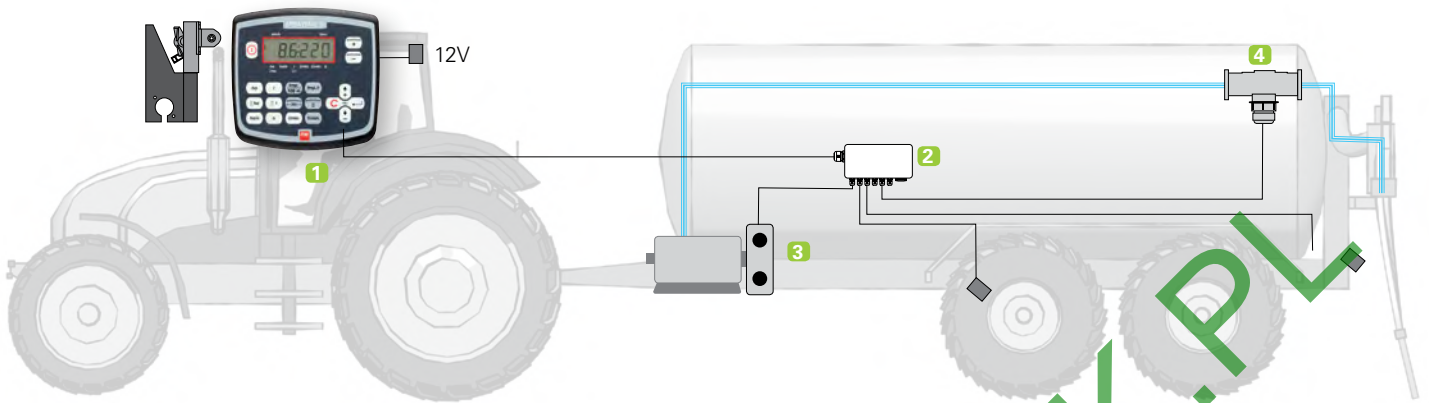


Function overview

Fertilization

	SPRAYMAT II	ISOBUS SLURRY-Controller	ISOBUS UNI SPREADER-Controller	ISOBUS SPREADER-Controller
Application rate monitoring	●	●	-	-
Application rate regulation	-	●	●	●
ISOBUS system	-	●	●	●
Number of sections	-	18	1	> 2
Hydraulic functions	-	●	●	●
Trip and total counter	●	●	●	●
Task Management (ISOBUS-TC)	-	●	●	●
Working with prescription maps	-	●	●	●
Section Control (SECTION-Control)	-	●	●	●
Multiple Product Control (MULTI-Product)	-	-	-	6 products
Multi-Boom Control (MULTI-Boom)	-	-	-	●
Rate control per section (MULTI RATE-Control)	-	-	-	●
Multi-Boom Section Control (MULTI SECTION-Control)	-	-	-	●
External keypads	-	4x 2 keys	-	-
AUX-N (Joystick)	-	●	-	●
Configuration	via terminal	PC	PC	via terminal

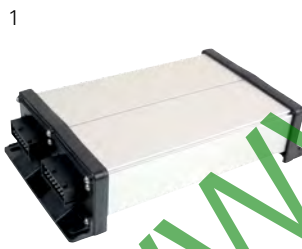
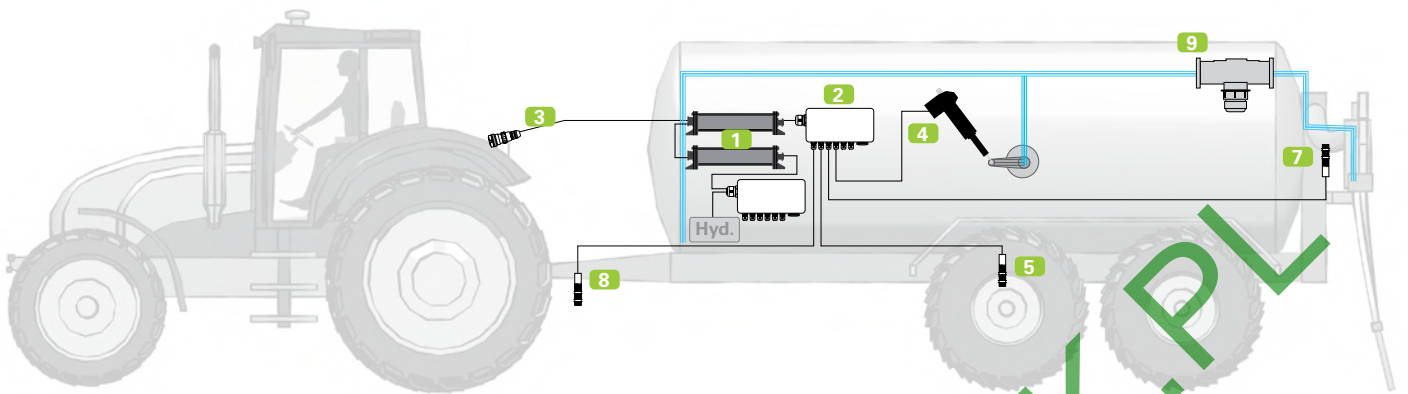
SPRAYMAT II for slurry tanker



SPRAYMAT II		Item no.	Price €
1	Spraymat II – computer with bracket	30272010	500.00
Slurry tanker equipment, measurement of the application rate for pump drive			
2	SPRAYMAT II equipment for slurry tankers , junction box, sensor X wheel/drive shaft, sensor Y work position and battery cable/mounting bracket	302120	330.00
3	NPN-M inductive sensor, 12 x 60 mm LED, 6 m cable, 4 mm switching distance, without connector	312162	51.30
Flow meter			
4	Magnetic / inductive flow meter, DN 100 Measurement range 0.3 - 4 cbm/min	30212611	2,870.00
	Magnetic / inductive flow meter, DN 125 Measurement range 0.4 - 6 cbm/min	30212621	2,930.00
	Magnetic / inductive flow meter, DN 150 Measurement range 0.5 - 8 cbm/min	30212631	3,020.00
	Magnetic / inductive flow meter, DN 200 Measurement range 0.8 - 12 cbm/min	30212641	3,530.00
Tractor / combine harvester harness, additional sensor technology for basic equipment			
5	SPRAYMAT II equipment as a hectare counter without RPM monitor, sensor Y work position with 5 m cable	302742	69.00

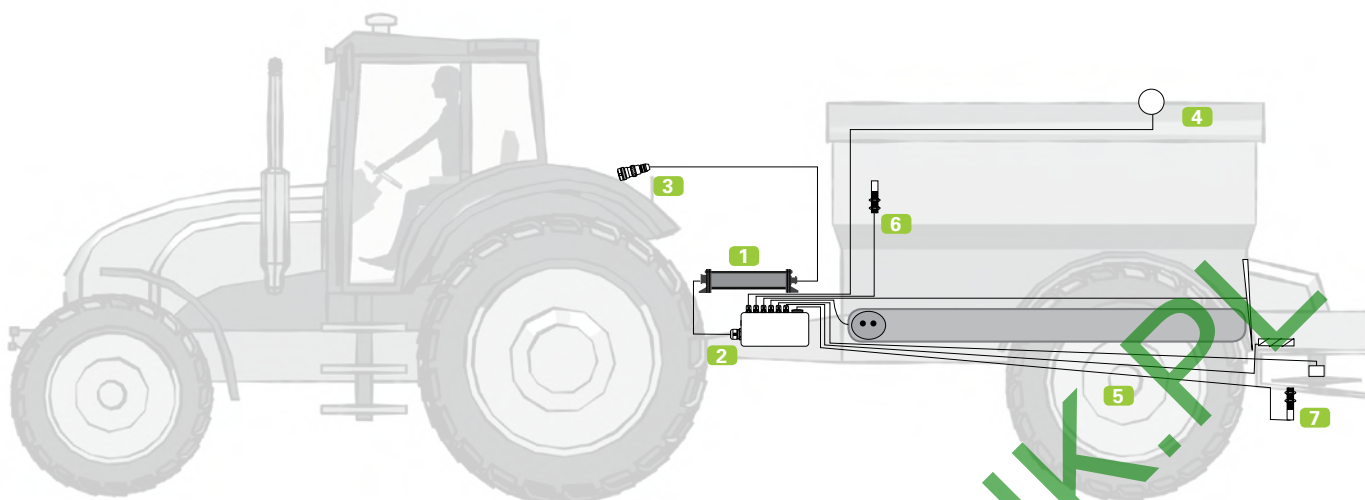


ISOBUS SLURRY-Controller



ISOBUS job computer with expansion job computer for slurry tankers		Item no.	Price €
1	ECU-MIDI 3.0 slurry tanker ISOBUS job computer (System can be expanded with up to seven additional job computers)	3032245301	880.00
2	Universal junction box for ECU-MIDI 3.0 available in different cable lengths	see Page 57	
3	Connector cable ISOBUS job computer available in different cable lengths	see Page 57	
4	Actuator (linear actuator)	302130	395.00
5	Sensor X for speed, 6 m cable without connector, 12 magnets	312583	65.70
6	GPS speed sensor	30258330	355.00
7	Sensor Y for work position, 5 m cable without connector, with installation equipment	312586	41.80
8	Rotational speed sensor for monitoring the pump speed, 6 m cable without connector, with installation equipment	302580	46.20
ISOBUS job computer with expansion job computer for slurry tankers		Item no.	Price €
9	Magnetic / inductive flow meter, DN 100 Measurement range 0.3 - 4 cbm/min	30212611	2,870.00
	Magnetic / inductive flow meter, DN 125 Measurement range 0.4 - 6 cbm/min	30212621	2,930.00
	Magnetic / inductive flow meter, DN 150 Measurement range 0.5 - 8 cbm/min	30212631	3,020.00
	Magnetic / inductive flow meter, DN 200 Measurement range 0.8 - 12 cbm/min	30212641	3,530.00
10	Angle sensor 120° with AMP connector, without cable, with boom	30303675	158.00
11	Connector cable for sensors, with 3-pin AMP socket on junction box available in different cable lengths	see Page 57	
Accessories			
12	Connector cable, main to expansion job computer available in different cable lengths	see Page 57	
Optional			
NIR-Sensor activation (manufacturer m-u-t)		30303081	990.00
Additional module chassis controlling (manufacturer Mobil Elektronik)		3032245001	460.00

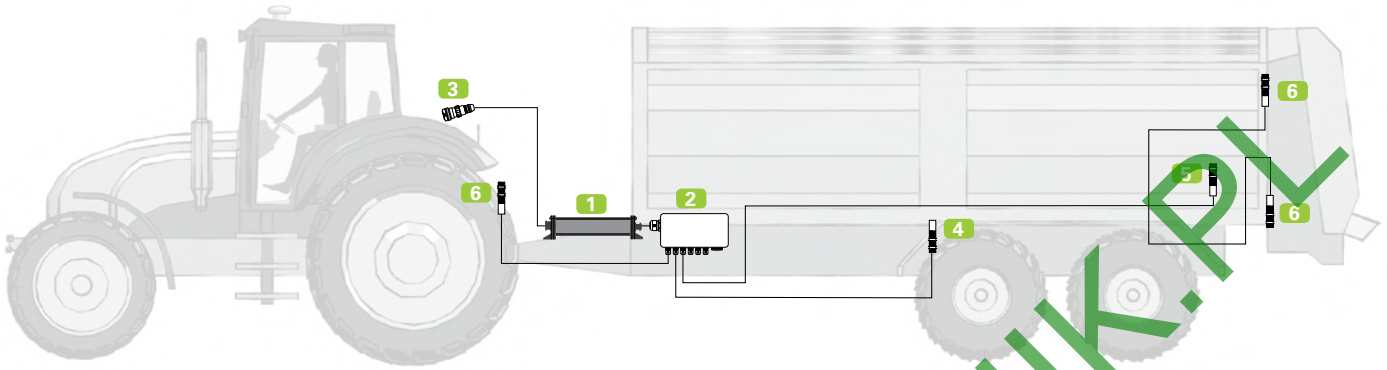
ISOBUS SPREADER-Controller



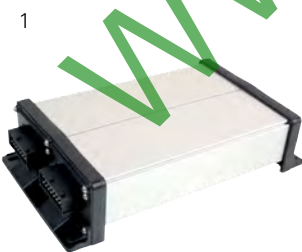
ISOBUS fertilizer spreaders		Item no.	Price €
1	ECU-MIDI 3.0 fertilizer spreader ISOBUS job computer	3029500601	880.00
2	Universal junction box for ECU-MIDI 3.0 available in different cable lengths	see Page 57	
3	Connector cable ISOBUS job computer available in different cable lengths	see Page 57	
4	GPS speed sensor	30258330	355.00
5	Connector cable for sensors, 4 m with 3-pin AMP socket to junction box	30303296	13.50
6	Level sensor, 1 m cable, with AMP connector	30303650	103.00
7	Inductive sensor, 1 m cable with AMP connector, 8 mm switching distance	30303631	50.70



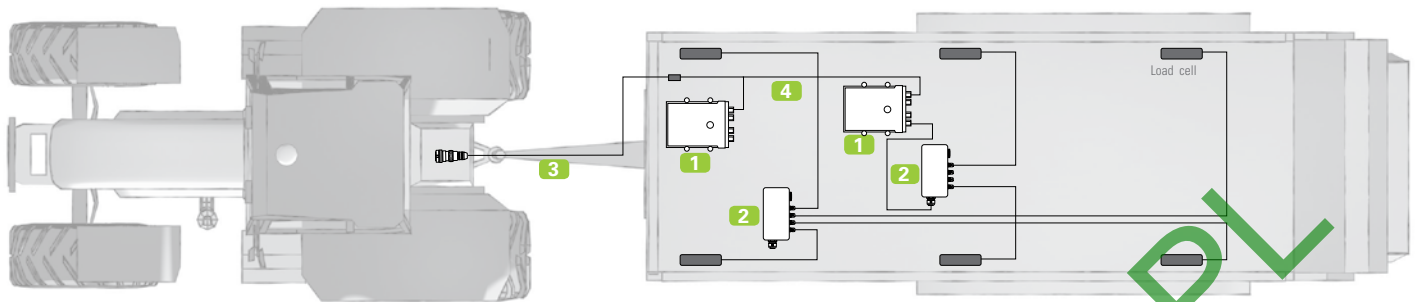
ISOBUS UNI SPREADER-Controller



UNI SPREADER-Controller		Item no.	Price €
1	ECU-MIDI 3.0 universal spreader ISOBUS job computer (System can be expanded with additional job computers)	3032245401	880.00
2	Universal junction box for ECU-MIDI 3.0 available in different cable lengths	see Page 57	
3	Connector cable ISOBUS job computer available in different cable lengths	see Page 57	
4	Sensor X for speed, 6 m cable without connector, 12 magnets	312583	65.70
5	Sensor Y for work position, 5 m cable without connector, with installation equipment	312586	41.80
6	Rotational speed sensor, 6 m cable without connector, with installation equipment	302580	46.20
Accessories			
7	Connector cable, main to expansion job computer available in different cable lengths	see Page 57	



ISOBUS SCALE-Controller



ISOBUS Weighing system		Item no.	Price €
1	ISOBUS SCALE-Controller	30294002	695.00
2	Junction box for ISOBUS SCALE-Controller (max. 10 load cells)	30294003	350.00
3	ISOBUS connector cable for SCALE-Controller (Stand-alone), 0.6 m	30294004	125.00
4	ISOBUS connector cable for 2 SCALE-Controllers (Master and Slave), 0.85 m	30294005	184.00
5	Adapter cable for connecting a MIDI 3.0 job computer and at least one SCALE-Controller (can only be used together with a SCALE-Controller connection cable 30294004 or 30294005)	30294006	194.00
6	Cable harness for 4 load cells, 1 m	30294007	410.00
Accessory bag for the junction box with additional Skintops and blind caps		31322473	18.50



MIDI 3.0 standard components

Connector cable, ISOBUS job computer		Item no.	Price €
1	Connector cable, ISOBUS job computer, 1 m	3030314303	240.00
	Connector cable, ISOBUS job computer, 2.5 m	3030314603	255.00
	Connector cable, ISOBUS job computer, 4 m	3030314403	270.00
	Connector cable, ISOBUS job computer, 5.5 m	3030314803	285.00
	Connector cable, ISOBUS job computer, 6.5 m	3030314003	295.00
	Connector cable, ISOBUS job computer, 8.5 m	3030314203	310.00
	Connector cable, ISOBUS job computer, 11 m	3030314103	335.00
	Connector cable, ISOBUS job computer, 14 m	3030314703	365.00
Connector cable, main to expansion job computer			
2	Connector cable, main to expansion job computer, 0.3 m	30322355	96.90
	Connector cable, main to expansion job computer, 0.6 m	3032235804	105.00
	Connector cable, main to expansion job computer, 1.5 m	30322359	109.00
	Connector cable, main to expansion job computer, 3.2 m	30322358	126.00
	Connector cable, main to expansion job computer, 4 m	3032235801	133.00
	Connector cable, main to expansion job computer, 6.5 m	30322357	154.00
	Connector cable, main to expansion job computer, 8 m	3032235802	165.00
	Connector cable, main to expansion job computer, 10 m	30322356	185.00
	Connector cable, main to expansion job computer, 14 m	3032235803	205.00
	Universal junction box		
3	Universal junction box for ECU-MIDI 3.0 , 0.6 m cable	3032247001	440.00
	Universal junction box for ECU-MIDI 3.0 , 1.5 m cable	3032247501	455.00
	Universal junction box for ECU-MIDI 3.0 , 2 m cable	3032247101	465.00
	Universal junction box for ECU-MIDI 3.0 , 4 m cable	3032247201	485.00
Sensors			
4	Connection cable for sensors with 3-pin AMP socket to junction box, 1.10 m	3030329706	13.00
	Connection cable for sensors with 3-pin AMP socket to junction box, 2 m	30303294	11.10
	Connection cable for sensors with 3-pin AMP socket to junction box, 4 m	30303296	13.50
	Connection cable for sensors with 3-pin AMP socket to junction box, 6 m	30303295	14.40
	Connection cable for sensors with 3-pin AMP socket to junction box, 8 m	30303297	15.80
	Connection cable for sensors with 3-pin AMP socket to junction box, 10 m	3030329705	17.60
	Connection cable for sensors with 3-pin AMP socket to junction box, 12 m	30303298	19.80
	Connection cable for sensors with 3-pin AMP socket to junction box, 20 m	30303289	23.50
GPS speed sensor	30258330	355.00	
Work position sensor	30303615	43.80	
Rotational speed sensor with AMP connector	30303623	49.90	



Spare parts

ISOBUS	Item no.	Price €
ISOBUS non-touch terminal bracket (BT1N)	31322505	15.20
ISOBUS touch-terminal bracket	31322506	27.60
VESA bracket with bolts for TOUCH terminals	31322512	22.10
Connector cable for tractors with ISOBUS in-cab connector	31322541	89.80
Extension cable with 9-pin Sub-D connector for ME terminal to ISOBUS basic vehicle harness	30322571	52.00
Suction bracket with mounting bracket	31302471	97.30
Suction bracket without mounting bracket	31302472	90.30
Mounting bracket	312075	12.50
LBS/ISO socket	31300405	119.00
LBS/ISO connector	31300400	118.00
Termination plug	31300582	32.30
Extension cable for ISOBUS job computer connector/socket, 2 m	3030313801	300.00
Extension cable for ISOBUS job computer connector/socket, 6.50 m	30303134	350.00
Extension cable for ISOBUS job computer connector/socket, 9.50 m	30303137	400.00
SMART430®/SMART570® basic vehicle harness, with 6 m connector cable with 9-pin CPC connector and 2.5 m connector cable for job computer MIDI 3.0	3032257601	400.00
SMART430®/SMART570® basic vehicle harness, with 6 m connector cable with 9-pin CPC connector and 10 m connector cable for job computer MIDI 3.0	3032257701	440.00
USB memory device, 4 GB, black, for ME terminals as of hardware version 3.0.0 and TOUCH ₁₂₀₀ ®	3032258915	33.90
Bracket for joystick	31302015	11.20
Connector cable for HQ and NQ camera for touch terminals, 10 m	31303062	138.00*
Connector cable for HQ2 camera for touch terminals, 10 m	31303064	157.00*

Non-ISOBUS	Item no.	Price €
Connector cable ISO-11786 for connection to the signal socket with a 12-pin connector	312243	83.50
Adapter cable to signal connector in accordance with DIN 9684.1 (7-pin) KHD, UNIMOG (Unicomp), FENDT, John Deere, Case-Steyr	312662	39.30
Adapter cable for FENDT signal socket (4-pin), for junction box	312660	39.30
Adapter cable for signal socket in accordance with DIN 9684.1 (7-pin) for junction box KHD, UNIMOG (Unicomp), FENDT, John Deere, Case-Steyr junction boxes, with 3-pin connector	312120	144.00
Adapter for signal socket FENDT (4-pin), with 3-pin connector	312123	147.00
Battery cable, 2 x 6 qmm with ignition signal with 3-pin socket (DIN9680)	31215401	152.00
Bracket	31321105	32.30
Bracket 1 Spraymat / Unimat (upper part)	312074	13.50
Bracket for SPRAYMAT II / UNIMAT II (upper part)	31322505	15.20
S bracket with top hat rail	312226	34.50
Tractor junction box, S Standard, with sensor X	312240	151.00
Neoprene cap with synthetic plate for momentary switches and switches	NET 326680	3.90
16-pin aluminium coupling	312498	67.00

Spare parts

Non-ISOBUS	Item no.	Price €
20-pin connector	312497	32.70
30-pin connector with protective cap	312499	35.10
30-pin female multipoint connector (complete)	31249901	22.80
39-pin connector with protective cap	31249905	37.10
39-pin female multipoint connector (complete)	31249910	25.10
40-pin coupling	302490	101.00
Switch for switch box S2 or SPRAYDOS, with center position (e.g. for foam marker)	31247305	11.30
Switch, 2-pin, 6 A (large), section switch, ON/OFF, manual/automatic	31247350	15.50
Switch, 2-pin, 20 A (large), section main switch	31247360	15.70
Switch 1-pin, 15 A (large), switch box ON/OFF	31247370	8.40
Switch for switch box S2 or SPRAYDOS, can be used as section main switch, section switch, on/off switch	31247300	8.70
Momentary switch 2-pin, 10 A (large), +/- control	31247375	18.80
Key for switch box S2 or SPRAYDOS for hydraulic functions (control +/-)	31247310	9.20

Cabling	Item no.	Price €
AMP connector, 3-pin, for sensor	31300561	5.80
AMP socket, 3-pin, for sensor	31300571	7.00
AMP dummy connector, 3-pin (on cable harness)	31300540	3.00
AMP connector, 4-pin, for sensor	31300562	6.70
AMP socket, 4-pin, for sensor	31300572	7.10
AMP dummy connector, 4-pin (on cable harness)	31300541	3.80
AMP connector, 5-pin, for sensor	31300563	6.10
AMP connector, 42-pin, complete, for job computer	31300545	44.00
AMP socket casing, 16-pin, complete, for job computer	31300552	40.10
Connector cable for sensors, 1.10 m with 3-pin AMP socket to junction box	3030329706	13.00
Connector cable for sensors, 2 m with 3-pin AMP socket to junction box	30303294	11.10
Connector cable for sensors, 4 m with 3-pin AMP socket to junction box	30303296	13.50
Connector cable for sensors, 6 m with 3-pin AMP socket to junction box	30303295	14.40
Connector cable for sensors, 8 m with 3-pin AMP socket to junction box	30303297	15.80
Connector cable for sensors, 10 m with 3-pin AMP socket to junction box	3030329705	17.60
Connector cable for sensors, 12 m with 3-pin AMP socket to junction box	30303298	19.80
Connector cable for sensors, 20 m with 3-pin AMP socket to junction box	30303289	23.50
Cap for 42-pin connector to cable harness	31300554	6.60
AMP connector, 2-pin, for sensor	31300560	5.60
AMP socket, 2-pin, for sensor	31300570	6.80
AMP dummy connector, 2-pin (on cable harness)	31300539	4.20

Spare parts

Sensors	Item no.	Price €
Sensor X for drive shaft or wheel, 1 m cable with AMP connector, without installation equipment	31302006	40.10
Sensor X for drive shaft or wheel, 6 m cable with 12-pin connector, without installation equipment	312265	38.20
Sensor X for drive shaft/wheel, 6 m cable without connector, for junction box, without installation equipment	312600	35.20
Sensor X for drive shaft/wheel, 10 m cable without connector, for junction box, without installation equipment	312601	37.60
Sensor X for drive shaft/wheel, 6 m cable without connector, for junction box, with installation equipment	312580	58.40
Sensor X for drive shaft/wheel, 6 m cable with connector, without installation equipment	312084	38.50
Sensor X for drive shaft/wheel, 6 m cable with connector, with installation equipment	312083	59.30
Sensor X for wheel, 10 m cable with connector, without installation equipment	312086	38.50
Sensor X for wheel, 10 m cable with connector, with installation equipment with 12 magnets (trailed sprayer)	312085	65.70
Sensor X for trailed sprayer, 6 m cable without connector with 12 magnets, complete	312583	65.70
Sensor X for forwards-/backwards analysis, 12 m cable without connector, without installation equipment	312082	40.50
Sensor X for forwards-/backwards analysis, 12 m cable with connector, with installation equipment	312081	59.20
Sensor X accessory bag, drive shaft	312112	27.80
Sensor Y, 1 m cable with AMP connector without installation material	31302506	34.30
Sensor Y for SPRAYMAT II/UNIMAT II hectare counter with 5 m	312742	62.20
Sensor Y for work position, 5 m cable without connector, for implement junction box, without installation equipment	312606	35.20
Sensor Y for work position, 5 m cable without connector, for implement junction box, with installation equipment	312586	41.80
Sensor Y for work position, 5 m cable with connector, without installation equipment	312090	38.50
Sensor Y for work position, 5 m cable with connector, with installation equipment	312089	45.10
Ultrasonic sensor for boom control	30217518	350.00
Rotational speed sensor, 8 m cable without connector, for machine junction box, without installation equipment	312613	35.20
Inductive sensor 12 mm, 1 m cable with AMP connector, 4 mm switching distance	30303625	56.70
Inductive sensor 12 mm, 6 m cable without connector	312162	51.30
Inductive sensor 18 mm, 1 m cable with AMP connector, 8 mm switching distance	30303631	50.70
Inductive sensor 18 mm, 6 m cable without connector	312164	57.40
Level sensor, 1 m cable with AMP connector	30303650	103.00
TANKMETER display device	312509	265.00
Pressure gauge with key, without pressure sensor	31243010	90.90
Pressure sensor, 0 - 50 bar, 9 m cable	312428	335.00
Flow meter Polmac 1", without sensor and mounting parts	312440	275.00
Sensor for Polmac 1", flow meter spare	312446	163.00
Sensor for Polmac 1", flow meter spare, with AMP connector	31244610	155.00
Fan wheel for Bürkert Inline (as of 2000)	31244420	235.00
Electronics for Bürkert Inline (as of 2000)	31244415	275.00
Magnet with screw V2A	312140	2.30
Clamp, 27/51 mm with 1 magnet for drive shaft	312136	11.90
Clamp, 50/70 mm with 1 magnet for drive shaft	312137	12.40
Clamp, 27/51 mm with 2 magnets for RPM monitoring	312139	15.70
PTO shaft plate, complete with magnet and screw	312135	25.00
Installation power socket from 1/91 for battery cable (socket)	312156	15.50

Spare parts

Sensors	Item no.	Price €
Equipment connector from 1/91 for computer (tacks)	312157	12.50
Gyroscope without bracket	31303160	245.00
Bracket for gyroscope	31303161	22.20
Angle sensor 30° with AMP connector, without cable, with boom	30303672	162.00
Angle sensor 60° with AMP connector, without cable, with boom	30303673	162.00
Angle sensor 120° with AMP connector, without cable, with boom	30303675	158.00

GNSS receiver	Item no.	Price €
Connector cable A100/A101 to ME terminal, 6 m	31302462	78.10
Connector cable A100/A101 to ME terminal, 12 m	31302468	90.60
Connector cable A100/A101, with speed output for the terminal	31302457	138.00
Connector cable for A100/A101, 6 m for serial interface	31302462	78.10
Connector cable for A100/A101, 12 m for serial interface	31302468	90.60
Connector cable AG-STAR/SMART-6L to ME terminal, 6 m	31302476	80.20
Connector cable AG-STAR/SMART-6L to ME terminal, 12 m	3130247607	95.00
Connector cable AG-STAR, with speed output for the terminal	31302454	161.00
Connector cable for AG-STAR, 6 m for serial interface	31302476	80.20
Connector cable for GPS receiver Ag-200, 6 m	3130247700	75.60
Connector cable for GPS receiver Ag-200, 12 m	3130247703	90.30
Connector cable for AG-200 with Speed-out, 6 m	3130247704	178.00
Connector cable NAV-900 to MotorDrive	3138990002	78.10
Connector cable for NAV-900 to 6-pin DT connector, 4.5 m	3138990006	90.60*
Connector cable to NAV-900, 5 m	3138990004	138.00*
Connector cable power supply for modem GX450/RV55	3038990030	78.10*
Extension connector cable to NAV-900	3138990003	90.60*
Y cable for GNSS receiver to connect to 2 terminals	31302459	74.90
Mounting accessories for A100/A101 for second tractor self-adhesive metal plate, counterpart to the magnetic foot	31302465	22.50
Mounting accessories for AG-STAR/SMART-6L for second tractor self-adhesive metal plate, counterpart to the magnetic foot	3130247601	21.50
Magnetic pedestal with bolt for A100 / A101	31302466	54.40
Mounting accessories for AG-200	3130247702	19.40
Mounting plate for NAV-900	3138990007	69.00*
Mounting plate for NAV-900	3138990008	8.00*
NAV-900 "QuickRelease" mounting bracket	3038990026	184.00*
Dust protection cap for A101	31300557	5.90
Dust protection cap for AG-STAR / SMART-6L	31300583	6.50
GSM/GPRS antenna with magnetic foot and self-adhesive metal plate	3030248912	101.00*
L-BAND activation for SMART-6L, necessary for TerraStar-C	3030248930	1,420.00*

Spare parts

GNSS receiver		Item no.	Price €
TerraStar licence fees			
TerraStar-C licence fee, 1 year subscription	NET	3030248932	870.00
TerraStar-C licence fee, 3 month subscription	NET	3030248952	520.00
TerraStar-L licence fee, 1 year subscription	NET	3030248935	310.00

Solenoid valve/manifold spare parts		Item no.	Price €
Free-wheeling diode solenoid valve		312399	4.80

Other Information		Item no.	Price €
Service case	NET	30309980	183.00
Service case ISOBUS <i>Contains basic vehicle harness to connect an ISOBUS job computer from Müller-Elektronik to a terminal without a tractor. A power supply unit is included for operating the basic vehicle harness with 230 V. In addition, a PCAN dongle and various adapter cables for diagnostic purposes are included.</i>	NET	30309982	1,500.00
Crimping pliers and dent-levelling tool	NET	30309990	535.00
Test device cabel harness	NET	30309960	160.00
Downloadbox service set		3032259207	410.00

Notes

WWW.ROLTRONIK.PL





A TRIMBLE COMPANY

Müller-Elektronik GmbH

Franz-Kleine-Straße 18 . 33154 Salzkotten . Germany
Tel. +49 5258 9834-0 . Fax +49 5258 9834-90
info@mueller-elektronik.de . www.mueller-elektronik.de

12/2021 . Subject to change.



www.mueller-elektronik.de



www.youtube.com/c/MüllerElektronikDE



www.facebook.com/me.salzkotten



www.instagram.com/mueller_elektronik



www.linkedin.com/company/me-salzkotten