

Row Crop System

PARTS CATALOG

Ag-Chem

874/1074/1274 ROGATOR LIQUID SYSTEM 2006

WWW.ROLTRONIK.PL

AG135916

February 2006

How to use this Parts Book

Parts Ordering Guide:

1. Give the Serial Number of your Chassis or System when ordering.
2. Use the part number and description when ordering parts.
3. Give the Assembly Title if needed.
4. Give the P/N number and date for the Parts Book if needed.

Parts List Abbreviations

NSS Not Sold Separately
 AR As Required, usually for a lubricant or adhesive
 REF Reference - Part called out on a different page.
 NS Not shown in illustration
 R/B Replaced by another number
 ASM assembly page

Notice:

Every effort has been made to ensure the accuracy of the information in this book. However, because of design changes that can occur since this book was published, it is possible that some illustrations and part numbers can be different than on your machine. The technical information in this book was correct at the time this book was approved for publication.

FUEL TANK AND TOOL BOX INSTL

ITEM	PART #	QTY	DESCRIPTION	COMMENTS
1	AG109742	4	MATTING-RUBBER,2.00X44.50X.12	
2	AG109754	4	MATTING-RUBBER,2.00X46.00X.12	
3	AG120558	1	TUBE WLDMT-FUEL LINE	
4	AG122229	1	BRKT,STIFFNER,HAT SECTION	
5	AG122302	1	BRKT-AUX BAT POST	
6	AG125208	1	SHIELD-EXHAUST	
7	AG125210	4	STRAP WLDMT-FUEL TANK	
8	AG126403	4	BOLT-.31-18X2.75 G5 CRG ZN/Y	
9	AG130111	1	PLATE,MTG-FUEL TUBE	
10	AG130414	4	TUBE-RD,.750DX.12WALL X 2.00LG	
11	AG262729	2	PLATE-SLOT SEALING	
12	AG325049	1	CABINET ASM-TOOL BOX,LH	
13	AG325050	1	CABINET ASM-TOOL BOX,RH	
14	AG504815	1	TANK-FUEL,65GL,POLY,RH	
15	AG504816	1	TANK-FUEL,65GL,POLY,LH	
16	AG510939	-	HOSE HYD 0.37 BULK 250PSI WP [BULK: 5 FT]	
17	AG512346	-	3M 1300 YELLOW ADHESIVE (GAL) [BULK: 0.001 GL]	
18	AG512885	AR	LOCTITE ADHESIVE SEALANT BLUE	
19	AG518292	2	BOLT-U .31-18X2.00X 2.69 RD SS	
20	AG519556	1	SENDING UNIT FUEL LEVEL	
21	AG522183	-	HOSE-FUEL,2.00 ID [BULK: 2.5 FT]	
22	AG522439	8	BOLT-.38-16X1.5,G5,ZN,CRG	
23	AG522453	2	VENT-FUEL,90D,.50MNPTX.38HOSEB	
24	AG523919	8	CLAMP-HIGH TORQUE,3.00	
25	AG550124	2	NUT 0.50-13NC HEX ZN REG	
26	AG550205	4	WASHER LK 0.31 ZN REG	
27	AG550213	4	NUT 0.31-18NC HEX ZN REG	
28	AG550256	2	BOLT.50-13NCX1.25 G5 ZN HHD	
29	AG550264	2	WASHER 0.50 LK ZN REG	
30	AG550353	10	WASHER 0.50 FL ZN REG TYPE-B	
31	AG551007	8	WASHER FL 0.37 ZN REG TYPE-B	
32	AG551015	4	WASHER 0.31 FL ZN REG TYPE-B	
33	AG551201	1	ADAP STR .37MNPT X .37MJIC (N)	
34	AG552461	1	ADAP STR 0.50MNPT X 0.50MJIC	
35	AG561025	2	CLAMP HOSE .218 TO .625 U5S	
36	AG561867	2	PLUG PIPE 0.25-18 EXT HEX HD	
37	AG601152	8	NUT 0.50-13NC HEX ZN REG NY	
38	AG601411	8	NUT 0.37-16NC HEX ZN REG LK NY	
39	AG601888	4	NUT 0.31-18NC HEX ZN REG NY	
	FOOTNOTE [A]		FOR REPLACEMENT CAP USE AG055178	
	FOOTNOTE [B]		FOR REPLACEMENT CAP USE AG055178	

Assembly Title, refer to Table of Contents

Assembly Reference, see referenced page

SEE PAGE 4-2
SEE PAGE 4-3
[A]
[B]

Footnote Reference, see notes below.

Footnote Reference

Footnote description

Assembly Page #, refer to Table of Contents

Part Book Section, refer to Table of Contents

Part Book Title, refer to Part Book Cover

874/1074/1274 ROGATOR LIQUID SYSTEM 2006

SECTION 1 - TANK AND SADDLE GROUP

AG123650	OPT-SUMP VALVE,3.00,ELECTRIC	1-1
AG123760	VALVE ASM-3.00 ELEC,EH4,3 SEC	1-2
AG123651	OPT-SUMP VALVE,3.00, MANUAL	1-3
AG520095	VALVE 3.00 BFLY W/10P LEVER	1-4
AG136654	TANK & SADDLE ASM-1240GL	1-5
AG127835	TANK & SADDLE ASM-1240GL	1-6
AG127819	TANK ASM-1240GL	1-7
AG127832	SADDLE ASM-1240GL	1-8
AG128110	SIGHT GAUGE ASM-FRT,1240GL	1-9
AG128111	SIGHT GAUGE ASM-REAR,1240GL	1-10
AG127836	TANK & SADDLE ASM-1080GL	1-11
AG127820	TANK ASM-1080GL	1-12
AG127833	SADDLE ASM-1080GL	1-13
AG128269	SIGHT GAUGE ASM-FRT,1080GL	1-14
AG128270	SIGHT GAUGE ASM-REAR,1080GL	1-15
AG127837	TANK & SADDLE ASM-860GL	1-16
AG127821	TANK ASM-860GL	1-17
AG127834	SADDLE ASM-860GL	1-18
AG128490	SIGHT GAUGE ASM-FRT,860GL	1-19
AG128491	SIGHT GAUGE ASM-REAR,860GL	1-20
AG131012	RELOAD INSTL-2.00,LIQ SYS	1-21
AG513859	VLV BALL 2.00 POLY FF	1-22
AG131013	RELOAD INSTL-3.00,LIQ SYS	1-23
AG425277	TIEDOWN INSTL-LIQ SYS,ROGATOR	1-24
703082	LID ASM. 16. LESS WELD	1-25

SECTION 2 - PRODUCT PUMP AND PRESSURE PLUMBING GROUP

AG121950	SYS INSTL-BOOM CLEANOUT	2-1
AG121956	VALVE-BALL,2.00FP FLG,ELEC	2-2
AG122016	SYS INSTL-W/O BOOM CLEANOUT	2-3
AG050206	VALVE 1.00 NPT BALL UNION POLY	2-4
AG050204	VALVE 0.50 NPT BALL UNION POLY	2-5
AG523923	VALVE-2.0 FLG,T HANDLE,PP	2-6
AG523925	VALVE-ELEC,REG,2.0FLGX1.0FNPT	2-7
AG005492	VLV BALL 3.00 POLY FF	2-8
AG131086	FLWMTR INSTL-3.00,41 PPG	2-9
WR122648	FLWMTR ASM-3.00 41PPG	2-10
AG134019	SYS ASM-LIQ,PUMP,8/10/12X4	2-11
AG424364	PLMB ASM-PRESSURE	2-12
AG523930	STRAINER-Y,2.0FP,FLG	2-13
AG128979	PLMB ASM-PUMP & RELOAD,HV	2-14
AG524024	VALVE-BALL,1.50NPT,T HANDLE	2-15
AG128977	PUMP-CNTFGL,2.00X1.50,9306CHM5	2-16
AG134017	PLMB ASM-MANIFOLD,PRESSURE	2-17
AG050205	VALVE 0.75 NPT BALL UNION POLY	2-18
AG135907	PLMB INSTL-PRES,W/O CHEM INJ	2-19
AG134343	TEE ASM-MANG,220X100,RLF VALVE	2-20

874/1074/1274 ROGATOR LIQUID SYSTEM 2006

AG123996	VALVE ASM-CHECK,2.00 FP FLG	2-21
AG135909	FLOWMETER INSTL-2.00,8/10/12X4	2-22
AG523166	FLOWMETER-2.00,140PPG,12V	2-23
AG135910	FLOWMETER INSTL-1.50,RFM60P	2-24
AG135911	FLWMTR ASM-RFM60P,2.00FP FLG	2-25
AG520377	VALVE-BTFL,3.00	2-26
AG522563	FLMTR ASM-3.00,41 PULSE/GL,CI	2-27
AG128771	FLWMTR-2.00SP FLG,RFM60P,12V	2-28
AG135913	KIT ASM-LOW RATE,2.00FP FLG	2-29
AG056146	VALVE-2IN,FULL PORT	2-30
AG123068	VALVE ASM-REGULATING, PRESSURE	2-31
AG327855	MANIFOLD INSTL-HV.BALL VLV	2-32
AG122564	SYS INSTL-PLMB,90X5,ELEC VLV	2-33
AG122565	SYS INSTL-PLMB,100X5,ELEC,VLV	2-34
AG424524	MANF ASM-BOOM,W/BALL VLV,HV	2-35
AG121882	MANIFOLD ASM-Y,1.00FP FLG,ELEC	2-36
AG121883	VALVE-BALL,1.00FP FLGXNPT,ELEC	2-37
AG327801	MANIFOLD INSTL-STD,BALL VALVE	2-38
AG424522	MANF ASM-BOOM,W/BALL VLV,STD	2-39
506844D1	MANF INSTL-BM,HV Y,W/BALL VLV	2-41
506845D1	MANF ASM-BM,HV Y,W/BALL VLV	2-42

SECTION 3 - BOOM GROUP

AG127150	BOOM TREE INSTL-BOLT ON PLATES	3-1
AG136737	BOOM TREE INSTL-BOLT ON PLATES	3-2
AG123004	BOOM TREE ASM	3-3
AG134613	OPT-SS PLMB,80X5X10,ON,BALL	3-4
AG134614	OPT-SS PLMB,80X5X15,ON,BALL	3-5
AG134615	OPT-SS PLMB,80X5X20,OFF,BALL	3-6
AG134616	OPT-PP PLMB,90X5X10,ON,BALL	3-7
AG134617	OPT-PP,PLMB,90X5X20,OFF,BALL	3-8
AG232214	NOZ OPT 80X10 TRI BMS	3-9
AG232280	NOZ OPT 20X80 TRI BMS	3-10
AG232486	NOZZLE OPT 15X80 T BMS	3-11
AG236098	NOZZLE ASM-OPT 20X90 TRIPLE	3-12
AG519562	NOZ HLDR-TPL 1.00 IPS	3-13
AG239942	OPT-NOZZLE,10X90 ON CTR,TRPL	3-14
AG503989	BOOM ASM-80FT,LH	3-15
AG503990	BOOM ASM-80FT,RH	3-16
AG424870	BOOM ASM-90FT,RH	3-17
AG424871	BOOM ASM-90FT,LH	3-18
AG424872	BOOM ASM-100FT,RH	3-19
AG424873	BOOM ASM-100FT,LH	3-20
AG121929	ACTUATOR-000-60-M-9	3-21
AG129947	VALVE-SOL,NOZ BODY,ARAG,150PSI	3-22
AG504796	HOOK INSTL-BOOM,LIQ SYS,1254C	3-23
AG504795	RETAINER ASM-BOOM,LIQ,COMBO	3-24
AG123005	BOOM TREE WLDMT	3-25
AG129957	PARTS-SERV,NOZ VALVE,(129947)	3-26
AG136948	BOOM TREE INSTL-CTR,120FT	3-27
AG136827	BOOM TREE ASM-CTR,120FT	3-28
506594D1	BOOM ASM-CENTER,120	3-29

874/1074/1274 ROGATOR LIQUID SYSTEM 2006

506595D1	TREE ASM-BOOM,CENTER,3.00 SL	3-30
506486D1	TREE WLDMT-BOOM SUB 3.00 SLIDE	3-31
506449D1	OPT-PP PLMB,120X7X10,ON,BALL	3-32
AG136811	BOOM ASM-120FT,LH	3-33
AG136809	TIP ASM-FOLD BACK,BM,120FT,LH	3-34
AG136818	CAM ASM-BREAKAWAY,120FT	3-35
AG128842	CAM ASM-BOOM BRKWAY	3-36
AG136812	BOOM ASM-120FT,RH	3-37
AG136810	TIP ASM-FOLD BACK,BM,120FT,RH	3-38
AG136981	REST INSTL-BM,FLD BACK,120,LH	3-39
AG136987	RETAINER INSTL-BM,4.00 TUBE	3-40
AG136993	BUMPER INSTL-FOLD BACK,120,LH	3-41
506322D1	BRKT INSTL-MTG,ADJ,SPR,UPR	3-42
506334D1	LINKAGE ASM-CYL,HYD,INNER/MID	3-43
AG136980	REST INSTL-BM,FLD BACK,120,RH	3-44
AG136994	BUMPER INSTL-FOLD BACK,120,RH	3-45
506837D1	OPT-NOZ,TPL,1.00 PP,ON,120X10	3-46
506838D1	OPT-NOZ,TPL,1.00 PP,OFF,120X20	3-47

SECTION 4 - BOOM PLUMBING GROUP

AG134620	PIPE ASM-X W/3 1.00HB,11X10,SS	4-1
AG134621	PIPE ASM-90D W/1HB,10X10,SS,LH	4-2
AG134622	PIPE ASM-90D W/1HB,10X10,SS,RH	4-3
AG134623	PIPE ASM-T W/2 1.00HB,16X10,SS	4-4
AG134624	PIPE ASM-90D W/1HB,4X10,SS,RH	4-5
AG134625	PIPE ASM-90D W/1HB,4X10,SS,LH	4-6
AG134626	PIPE ASM-90D W/1HB,12X10,SS,RH	4-7
AG134627	PIPE ASM-90D W/1HD,12X10,SS,LH	4-8
AG134628	PIPE ASM-X W/3 1.00HB,11X10,SS	4-9
AG134629	PIPE ASM-90D W/1HB,7X15,SS,LH	4-10
AG134630	PIPE ASM-90D W/1HB,7X15,SS,RH	4-11
AG134631	PIPE ASM-T W/2 1HB,11X15,SS,LH	4-12
AG134632	PIPE ASM-T W/2 1HB,11X15,SS,RH	4-13
AG134633	PIPE ASM-90D W/1.00HB,2X15,SS	4-14
AG134634	PIPE ASM-90D W/1HB,8X15,SS,RH	4-15
AG134635	PIPE ASM-90D W/1HB,8X15,SS,LH	4-16
AG134636	PIPE ASM-X W/3 1.00HB,6X20,SS	4-17
AG134637	PIPE ASM-90D W/1HB,5X20,SS,LH	4-18
AG134638	PIPE ASM-90D W/1HB,5X20,SS,RH	4-19
AG134639	PIPE ASM-T W/2 1.00HB,8X20,SS	4-20
AG134640	PIPE ASM-90D W/1.00HB,2X20,SS	4-21
AG134641	PIPE ASM-90D W/1.00HB,6X20,SS	4-22
AG134642	PIPE ASM-X W/3 1.00HB,11X10,PP	4-23
AG134643	PIPE ASM-90D W/1HB,7X10,PP,LH	4-24
AG134644	PIPE ASM-90D W/1HB,7X10,PP,RH	4-25
AG134645	PIPE ASM-T W/2 1HB,8X10,PP,LH	4-26
AG134646	PIPE ASM-T W/2 1HB,8X10,PP,RH	4-27
AG134647	PIPE ASM-T/90D,16X10,PP,LH	4-28
AG134648	PIPE ASM-T/90D,16X10,PP,RH	4-29
AG134649	PIPE ASM-T W/2 1.00HB,11X10,PP	4-30
AG134650	PIPE ASM-90D W/1.00HB,6X10,PP	4-31
AG134667	PIPE ASM-W/2 1.00HB,77.00,PP	4-32

874/1074/1274 ROGATOR LIQUID SYSTEM 2006

AG134651	PIPE ASM-X W/3 1.00HB,6X20,PP	4-33
AG134652	PIPE ASM-90D W/1HB,3X20,PP,RH	4-34
AG134653	PIPE ASM-90D W/1HB,3X20,PP,LH	4-35
AG134654	PIPE ASM-T W/2 1.00HB,6X20,PP	4-36
AG134655	PIPE ASM-90D/45D,6X20,PP	4-37
AG134656	PIPE ASM-45D W/1.00HB,3X20,PP	4-38
AG134657	PIPE ASM-T W/1.25/1HB,11X10,PP	4-39
AG134658	PIPE ASM-90D W/1.00HB,12X10,PP	4-40
AG134659	PIPE ASM-T W/1.25/1HB,6X20,PP	4-41
AG519524	TRIPLE NOZZLE HOLDER .75 PIPE	4-42
AG524015	VALVE-2.0FLGX1.25NPT,T HANDLE	4-43
AG519314	VALVE-QUICK EXHAUST,POLY	4-44
AG503464	PLMB INSTL-HV,BOOM,RH,80	4-45
AG503465	PLMB INSTL-HY,BOOM,LH,80	4-46
AG503467	PLMB INSTL-HV,BOOM,CENTER	4-47
AG122148	SYS INSTL-PLMB,80X5,ELEC VLV	4-48
AG122328	BRKT ASM-L REV/P CLP STD U	4-49
AG122329	BRKT ASM-L W/P CLP,STD UBOLT	4-50
AG122330	BRKT ASM-L W/Z P CLP STD UBOLT	4-51
AG122331	BRKT ASM-L,STD UBOLT	4-52
AG122512	BRKT ASM-L PP STAUFF,LG UBOLT	4-53
AG122514	BRKT ASM-L,2 STAUFF,STD UBOLT	4-54
AG122450	BRKT ASM-L W/Z P CLP,LG UBOLT	4-55
AG122515	BRKT ASM -L W/REV P CLP	4-56
AG122511	BRKT ASMPSTR,LH,2IPS CLP,LG U	4-57
AG122517	BRKT ASM-STR,LG,IPS CLP,2P	4-58
AG122518	BRKT ASM-Z,IOS CLP	4-59
AG122519	BRKT ASMPSTR,LG,2IPS CLP	4-61
AG122520	BRKT ASM-L,PP STAUFF	4-62
AG122521	BRKT ASM-STR,SH,IPS CLP	4-63
AG122610	SRKT ASM-L,PP STAUFF,CTR P CLP	4-64
AG122958	BRKT ASM-STR,LG,2IPS,P	4-65
AG122500	BRKT ASMPSTR,LH,3IPS CLP	4-66
AG122516	BRKT ASM-STR,SH,IPS CLP,P CLP	4-67
AG122571	BRKT ASM-L,PP STAUFF,REV P CLP	4-68
AG122957	BRKT ASM-STR,LH,IPS,P CLP	4-69
AG122608	BRKT ASM-STR,LG,IPS,1.25 P CLP	4-70
AG122609	BRKT ASM-L,PP STAUFF,1.25 PCLP	4-71
AG122979	BRKT ASM-STR,LG,2 PCLP,IPS	4-72
AG122980	BRKT ASM-STR,LG,IPS,REV PCLP	4-73
AG122513	BRKT ASM-L,PP STAUFF 1.25 P	4-74
AG122606	BRKT ASM-STR,SH,IPS,1.25 P CLP	4-75
AG122607	BRKT ASM-STR,LG,1.25 PCLP 2IPS	4-76
AG519561	NOZ HLDR-SGL 1.00 IPS	4-77
AG518660	SINGLE NOZZLE HOLDER-.75 PIPE	4-78
AG426007	KIT-NOZZLE,SPRAY,VARITARGET,25	4-79
AG426004	NOZZLE-SPRAY,VARITARGET,1.5GPM	4-80
AG426008	KIT-NOZZLE,SPRAY,VARITARGET,5	4-81
AG136594	KIT NOZ VARITARGET CLR5	4-82
AG136595	KIT NOZ VARITARGET CLR.25	4-83
AG426003	NOZZLE SPRAY VARITARGET 1.2 GPM	4-84
506450D1	OPT-PP PLMB,120X7X20,OFF,BALL	4-85
WR129085	BRKT ASM-L,PP STAUFF,1.00U	4-86
WR129086	BRKT ASM-STR,SH,IPS CLP,1.00U	4-87

874/1074/1274 ROGATOR LIQUID SYSTEM 2006

506726D1	BRKT ASM-L,1.50 STAUFF,STD U	4-88
506734D1	PIPE ASM-T W/2 1.00HB,7X10,PP	4-89
506736D1	PIPE ASM-90D W/1HB,5X10,PP,LH	4-90
506738D1	PIPE ASM-90D W/1HB,7X10,PP,RH	4-91
506740D1	PIPE ASM-T W/1.25/1HD,9X10,PP	4-92
506721D1	BRKT ASM-STR,LG,IPS,1.62 PCLP	4-93
506722D1	BRKT ASM-L,1IPS,1.50 STAUFF	4-94
506723D1	BRKT ASM-L,1IPS,1.50 STAUFF,LG	4-95
506724D1	BRKT ASM-STR,LG,IPS,2PCLP	4-96
506725D1	BRKT ASM-STR,SH,IPS,1.25,1.00	4-97
506727D1	BRKT ASM-L,1.50 STAUFF,P,LG U	4-98
506728D1	BRKT ASM-STR,LG,IPS,2XP CLP	4-99
506729D1	BRKT ASM-L,PP STAUFF,PCLP,1.00	4-100
506730D1	BRKT ASM-L W/1.25/1.00 PCLP	4-101
506731D1	BRKT ASM-STR,SH,2X 1.25 P CLP	4-102
506735D1	PIPE ASM-90D W/1HB,5X10,PP,RH	4-103
506737D1	PIPE ASM-90D W/1.25HB,12X10,PP	4-104
506739D1	PIPE ASM-90D W/1HB,7X10,PP,LH	4-105
506741D1	PIPE ASM-2T,W/4 1HB,19X10,PP	4-106
WR127095	PIPE ASM-90D W/1.00HB,6X20,PP	4-107
506732D1	BRKT ASM-STR,SH,1.25 PCLP	4-108
506733D1	BRKT ASM-STR,LG,IPS,2PCL,1.25	4-109
506742D1	PIPE ASM-90D W/1.25HB,6X20,PP	4-110
506743D1	PIPE ASM-T W/2 1.00HB,3X20,PP	4-111
506744D1	PIPE ASM-90D W/1HB,3X20,PP,RH	4-112
506745D1	PIPE ASM-90D W/1HB,3X20,PP,LH	4-113
506746D1	PIPE ASM-T W/2 1.00HB,7X20,PP	4-114
506747D1	PIPE ASM-T W/1.25/1HB,5X20,PP	4-115

SECTION 5 - HYDRAULIC GROUP

AG122168	HOSE INSTL-HYD,BM BLOCK,RG	5-1
AG123388	PUMP INSTL-HYD,SYS,HV,1264	5-2
AG123389	PUMP ASM-HYD,SYS,HV,1264	5-3
AG123390	HOSE INSTL-HYD,LIQ SYS,1264	5-4
AG327817	VALVE INSTL-HYD,PWM,HV	5-5
AG262423	FTG ASM-ORIENT,PWM VALVE,20GPM	5-6
AG327802	BLOCK ASM-HYD,BOOM	5-7
AG504350	PLMB INSTL-HYD,BOOM,80/90FT	5-8
AG134339	HOSE INSTL-HYD,LIQ SYS,8/1074	5-9
AG327816	PUMP INSTL-HYD,SYS,HV	5-10
AG262422	PUMP ASM-HYD,SYS,HV	5-11
AG136269	HOSE INSTL-HYD,LIQ SYS,1074C	5-12
AG136270	PUMP INSTL-HYD,20GPM,LIQ,1074C	5-13
AG132620	PUMP ASM-HYD,2.11CIR,.99 13T	5-14
AG136367	PUMP INSTL-HYD,20GPM,LIQ,1074C	5-15
AG122030	CYLINDER ASM-HOIST,BOOM	5-16
AG122392	CYL-HYD,2.5X52X1.75,W/CB VALVE	5-17
AG260899	CYL ASM-BOOM TILT,LH	5-18
AG260900	CYL ASM-BOOM TILT,RH	5-19
AG122390	CYLINDER-HYD,2.50X12.00X1.12	5-20
AG262936	CYL ASM-BOOM BREAKAWAY	5-21
AG424952	CYLINDER-HYD 3.00X6.00X1.38	5-22

874/1074/1274 ROGATOR LIQUID SYSTEM 2006

AG262997	CYL ASM-BOOM SWING	5-23
AG126326	CYLINDER-HYD,3.00X12.00X1.38	5-24
AG261799	CYLINDER ASM-BOOM TIP FOLD	5-25
AG122391	CYLINDER-HYD,2.25X14.00X1.25	5-26
AG235991	CYLINDER ASM-BOOM TIP FOLD	5-27
AG424374	CYLINDER-HYD,2.00X16.00X1.25	5-28
AG136749	CYLINDER ASM-4.00,BM BREAKAWAY	5-29
AG136742	CYLINDER-HYD,4.00X6.00X2.00	5-30
AG136823	CYLINDER ASM-TILT,BOOM,120,LH	5-31
AG136824	CYLINDER ASM-TILT,BOOM,120,RH	5-32
AG136825	CYLINDER-HYD,3.00X11.38X1.25	5-33
AG136820	CYLINDER ASM-FOLD BACK,BM,120	5-34
AG136821	CYLINDER-HYD,3.00X14.00X1.38	5-35
AG560693	ADAP STR 0.37MO-R X 0.37MJIC	5-36
AG123074	PUMP-HYD,1.87CIR,.88 13T	5-37
AG132615	PUMP-HYD,2.11CIR,.88 13T	5-38
AG424252	VALVE-HYD,7 BANK,W/BREAKAWAY	5-39
AG524378	ADPTR-STR,.50MO-R X .50MO-R	5-40
AG424287	VALVE-HYD,PWM,LIQ SYS,15 GPM	5-41
AG424319	VALVE-HYD,PWM,LIQ SYS,20 GPM	5-42

SECTION 6 - ELECTRICAL GROUP

AG122451	SWITCH INSTL-ER,8/1064	6-1
AG121868	SWITCHBOX ASM-BOOM CTRL,8/1064	6-2
AG122452	SWITCH INSTL-BCO,8/1064	6-3
AG516567	LAMP CLUSTER REAR RH	6-4
AG516568	LAMP CLUSTER REAR LH	6-5
AG424498	HARN INSTL-SWITCH,HV/STD	6-6
AG124035	HARN INSTL-TLLT,WRN,LIQ(SYS)	6-7
AG504292	HARN INSTL-BM,(SYS)	6-8
AG504294	HARNESS INSTL-PROD CONT(SYS)	6-9
AG327762	SWITCH INSTL-PUMP/SPARGER	6-10
AG327247	LAMP-WARNING,AMBER	6-11
AG514014	VALVE SOLENOID	6-12
AG420146	ARMREST INSTL-ELECTRICAL	6-13
AG420189	PC BOARD ASM-ARMREST	6-14
AG239001	DIODE ASM-COMMON ANODE	6-15
WR504301	HARN INSTL-ELEC BM SECT VLV	6-16
WR122591	HARN INSTL-ELEC BM SECT,90/100	6-17
505232D1	HARNESS INSTL-B/M,1274C	6-19
505233D1	HARNESS INSTL-PROD CONT,1274C	6-20
AG422454	HARNESS INSTL-PROD CONT,IN CAB	6-21
AG122890	SWITCH INSTL-BCO	6-22
505271D1	HARNESS INSTL-BSOVLV,7SECT,1274C	6-23
505282D1	SWITCH INSTL-BSO,ARMREST,1274C	6-24
504390D1	SW INSTL-PUMP/SPARGE,1274C	6-25
504401D1	ELEC INSTL-TILT,LIQ,1274C	6-26
AG136730	LIGHT INSTL-TAIL,RC LIQ	6-27
AG130567	BRKT ASM-MTG TAILLIGHT	6-28
506962D1	SWITCH INSTL-SECT 6/7,8/10X4	6-29
506963D1	SWITCH INSTL-SECT 6/7,12X4	6-30

874/1074/1274 ROGATOR LIQUID SYSTEM 2006

SECTION 7 - CONTROLLER GROUP

AG120294	SYS ASM-FLCN II	7-1
AG121873	NODE INSTL-RADAR,LIQ	7-2
AG420264	ARMREST RWK	7-3
AG131406	SYS ASM-RG LIQ,VIPER	7-4
AG131408	NODE INSTL-VIPER,RG LIQ	7-5
AG126091	CONT INSTL-SDKCK(IN CAB),LOOP1	7-6

SECTION 8 - AIR SYSTEM GROUP

AG122562	BOX ASM-AIR,BOOM CLEAN OUT	8-1
AG424521	SYS INSTL-PNEU,HV,BOOM,ELEC	8-2
AG122561	BOX ASM-AIR,HIGH VOLUME	8-3

SECTION 9 - FOAM MARKER GROUP

AG502325	FOAM MARKER ASM-10X80X5	9-1
AG502326	FOAM MARKER ASM-15X80X5	9-2
AG502327	FOAM MARKER ASM-20X80X5	9-3
AG125405	FOAM MARKER ASM-BOOM,90FT	9-4
506856D1	F/M ASM-BOOM,120FT	9-5
AG234240	VALVE REWORK - SOLENOID	9-6
AG129722	FOAM MARKER ASM - BOOM,90FT	9-7
AG129723	FOAM MARKER ASM-BOOM, 100FT	9-8
AG125406	FOAM MARKER ASM-BOOM,100FT	9-9
AG136118	TANK ASM-FOAM,SS,36.5GL	9-10
AG136120	CTRL ASM-FOAM MARKER,LIQ,RC	9-11

SECTION 10 - DECAL GROUP

AG134022	DECAL INSTL-LIQ SYS,12X4,ENG	10-1
AG134023	DECAL INSTL-LIQ SYS,8/10X4,ENG	10-2

SECTION 11 - PRESSURE WASHER AND HEAD RINSE GROUP

AG122202	TANK INSTL-RINSE, TOP,1240GL	11-1
AG121862	TANK INSTL-RINSE, TOP,1080GL	11-2
AG424494	TANK INSTL-RINSE, TOP	11-3
AG327800	OPT-PLMB,P/W	11-4
AG122879	TANK REWORK-100GL,POLY	11-5

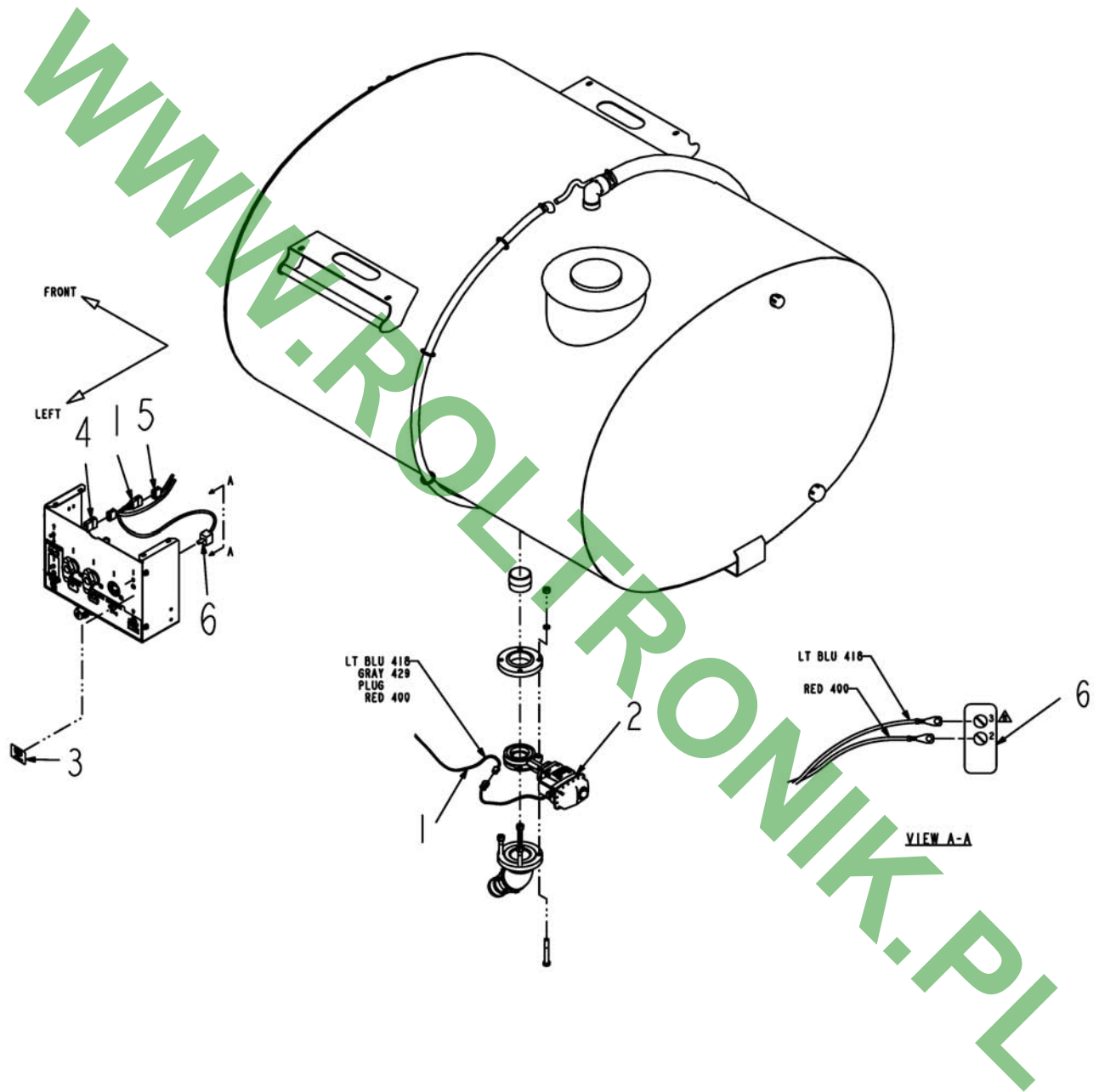
SECTION 12 - OPTION GROUP

AG122039	OPT-W/O CHEM EDUCTOR	12-1
AG123895	TANK ASM-40GL W/O AG	12-2
AG260019	VENT ASM-TANK	12-3
AG126100	CALIBRATION ASM-SDKCK	12-4
AG502347	SUPPORT ASM-TANK,PLASTIC	12-5

874/1074/1274 ROGATOR LIQUID SYSTEM 2006

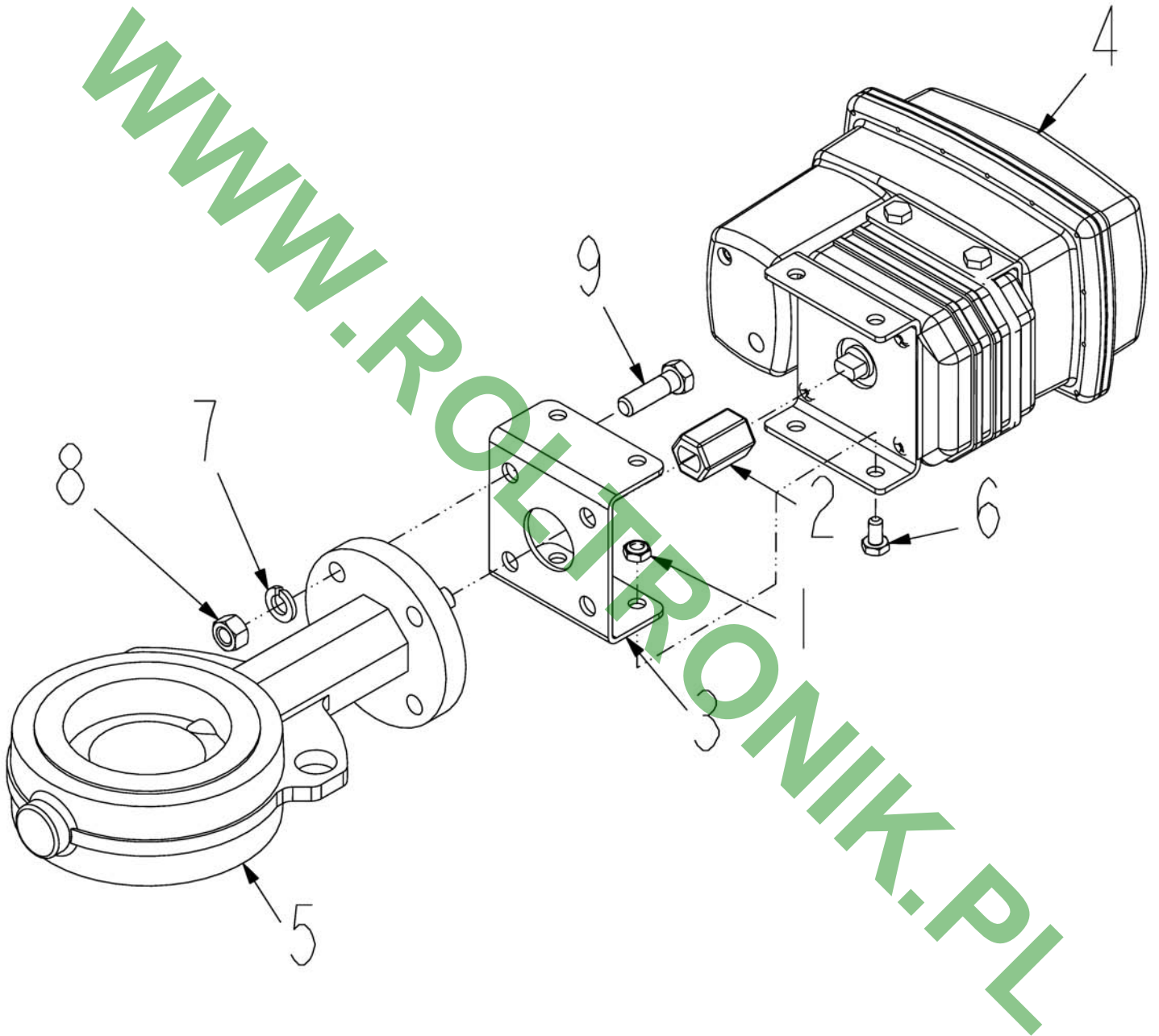
AG124577	OPT-CHEM EDUCTOR,PE,CLEANLOAD	12-6
AG124281	EDUCTOR ASM-CHEMICAL,PE	12-7
AG126103	TANK-ASM-20GL W/O AG	12-8
AG134618	OPT-PP PLMB,100X5X10,ON,BALL	12-9
AG134619	OPT-PP PLMB,100X5X20,OFF,BALL	12-10
AG134748	NOZZLE ASM-FENCE ROW,10/20,PP	12-11
AG134668	PIPE ASM-ENDROW,ELEC,10/20,PP	12-12
AG134670	BRKT ASM-ENDROW,IPS CLP,RH	12-13
AG134747	BRKT ASM-ENDROW,IPS CLP,LH	12-14
AG134749	NOZZLE ASM-FENCE ROW,10/20,SS	12-15
AG134669	PIPE ASM-ENDROW,ELEC,10/20,SS	12-16
AG134845	BRKT ASM-ENDROW,STAUFF, .75,LH	12-17
AG134846	BRKT ASM-ENDROW,STAUFF, .75,RH	12-18
AG134750	NOZZLE ASM-FENCE ROW,15,SS	12-19
AG134604	PIPE ASM-ENDROW,ELEC,15,SS	12-20
AG135908	PLMB INSTL-PRESS,W/CHEM INJ	12-21
AG123592	NOZZLE ASM-INJ,2 LOOP,2.00 NPT	12-22
AG135912	KIT INSTL-LOW RATE,8/10/12X4	12-23
AG135914	TUBE INSTL-W/O LOW RATE KIT	12-24
AG135915	CUST DOC-LIQ SYS,8/10/12X4,'06	12-25
AG135918	OPT-FOAM MARKER, STD, LKIQ,RG	12-26
AG424356	OPT-CHEM EDUCTOR,SS	12-27
AG131680	BRKT WLDMT-MTG,2.00X2.00 FLG	12-28
AG124450	KIT-EDUCTOR,CHEM,PR,CLEANLOAD	12-29
AG126095	SYS INSTL-INJ,SDKCK,LOOP 1	12-30
AG126122	SYS INSTL-INJ,SDKCK,LOOP2,1264	12-31
AG126123	CONT INSTL-SDKCK(IN CAB),LOOP2	12-32
AG327861	LIGHTBAR INSTL-REAR	12-33
AG328960	EDUCTOR ASM,CHEMICAL,SS	12-34
506456D1	HOSE INSTL-HYD,W/AUTOBOOM,120	12-35
AG136965	BLOCK ASM-HYD,W/AUTOBOOM,BM	12-36
506467D1	BLOCK ASM-HYD,AUTOBOOM,G2	12-37
AG136740	BLOCK-VALVE,HYD,AUTOBOOM,G2	12-38
506649D1	BLOCK INSTL-HYD,BM/AUTOBOOM,G2	12-39
506457D1	KIT-HOSE,W/AUTOBOOM,BM,120	12-40
506909D1	WHEEL INSTL-AUTOBOOM,120	12-41
506910D1	FORK ASM-WHEEL,AUTOBOOM	12-42
506921D1	HUB WLDMT-WHEEL,AUTOBOOM	12-43
506900D1	SENSOR INSTL-AUTOBOOM,120FT	12-44
506901D1	SNSR-ULTRASONIC,AUTOBM,LH MTG	12-45
506902D1	SNSR-ULTRASONIC,AUTOBM,RH MTG	12-46
507003D1	BRKT ASM-MTG,ANG,SNSR,LH	12-47
507004D1	BRKT ASM-MTG,ANG,SNSR,RH	12-48
507025D1	BRKT ASM-MTG,VERT,SNSR,AUTOBM	12-49
506911D1	ARM ASM-WHEEL,AUTOBOOM,120	12-50
506888D1	CONT INSTL-AUTOBOOM,G2,8/10X4	12-51
506889D1	CONT INSTL-AUTOBOOM,G2,12X4	12-52
506890D1	HARN INSTL-PWR/CTRL,G2,8/10X4	12-53
506891D1	HARN INSTL-PWR/CTRL,G2,12X4	12-54
506898D1	HARN INSTL-CTRL,AUTOBM,G2,SYS	12-55
506872D1	NOZ INSTL-FENCE ROW,RG,120FT	12-56
506873D1	PIPE ASM-.5X10,PP,ENDROW	12-57

WWW.ROLTRONIK.PL

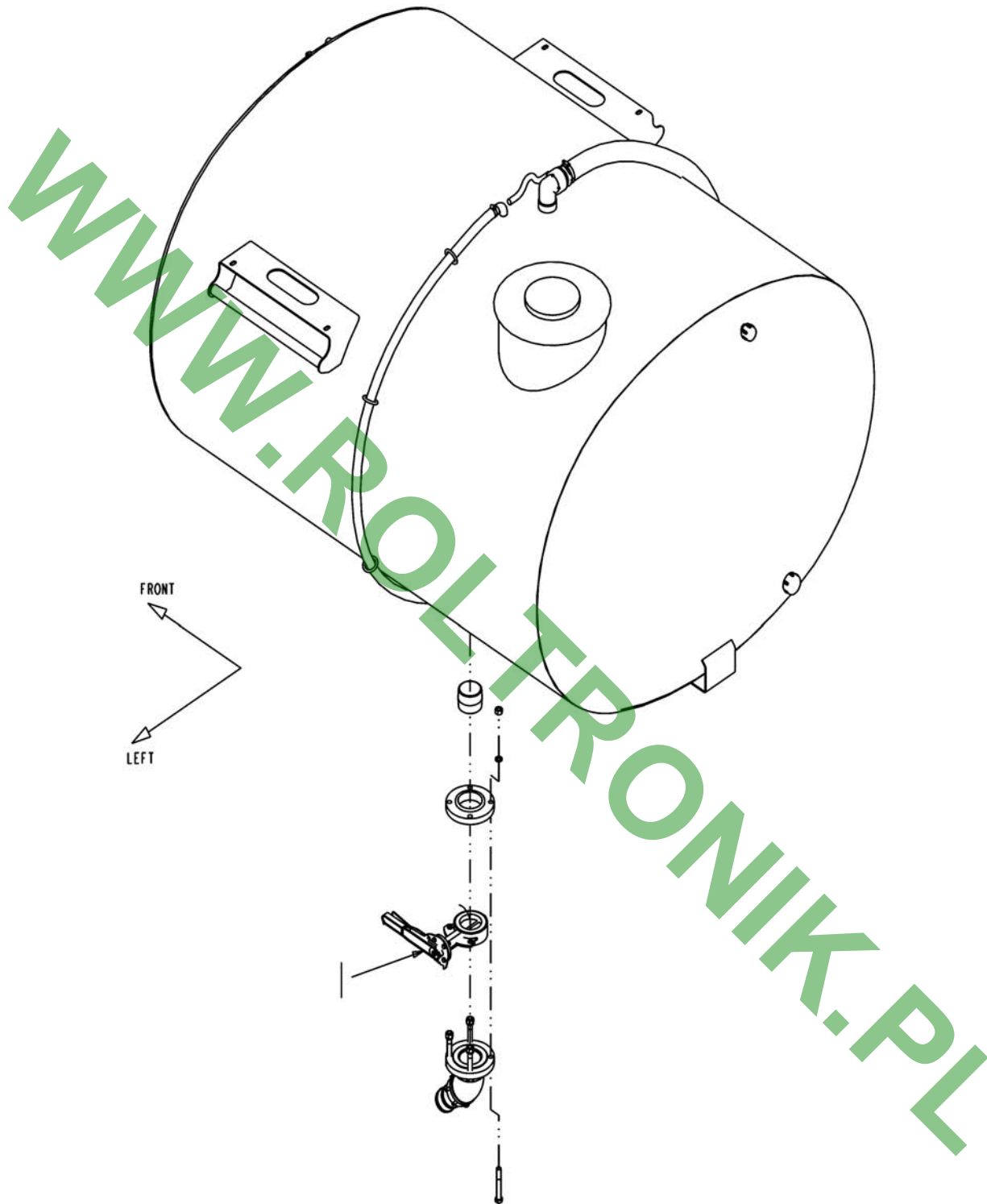


ITEM	PART #	QTY	DESCRIPTION	COMMENTS
1	AG123646	1	HARNES-SUMP VALVE,ELEC	
2	AG123760	1	VALVE ASM-3.00 ELEC,EH4,3 SEC	SEE PAGE 1-2
3	AG123762	1	DECAL-SUMP VALVE	
4	AG327737	-	HARNES-REMOTE RELOAD,SPARGE	
5	AG504293	-	HARNES-PRODUCT CONTROL(SYS)	
6	AG515173	1	SWITCH TOGGLE 2POS 1POLE	

WWW.ROLTRONIK.PL

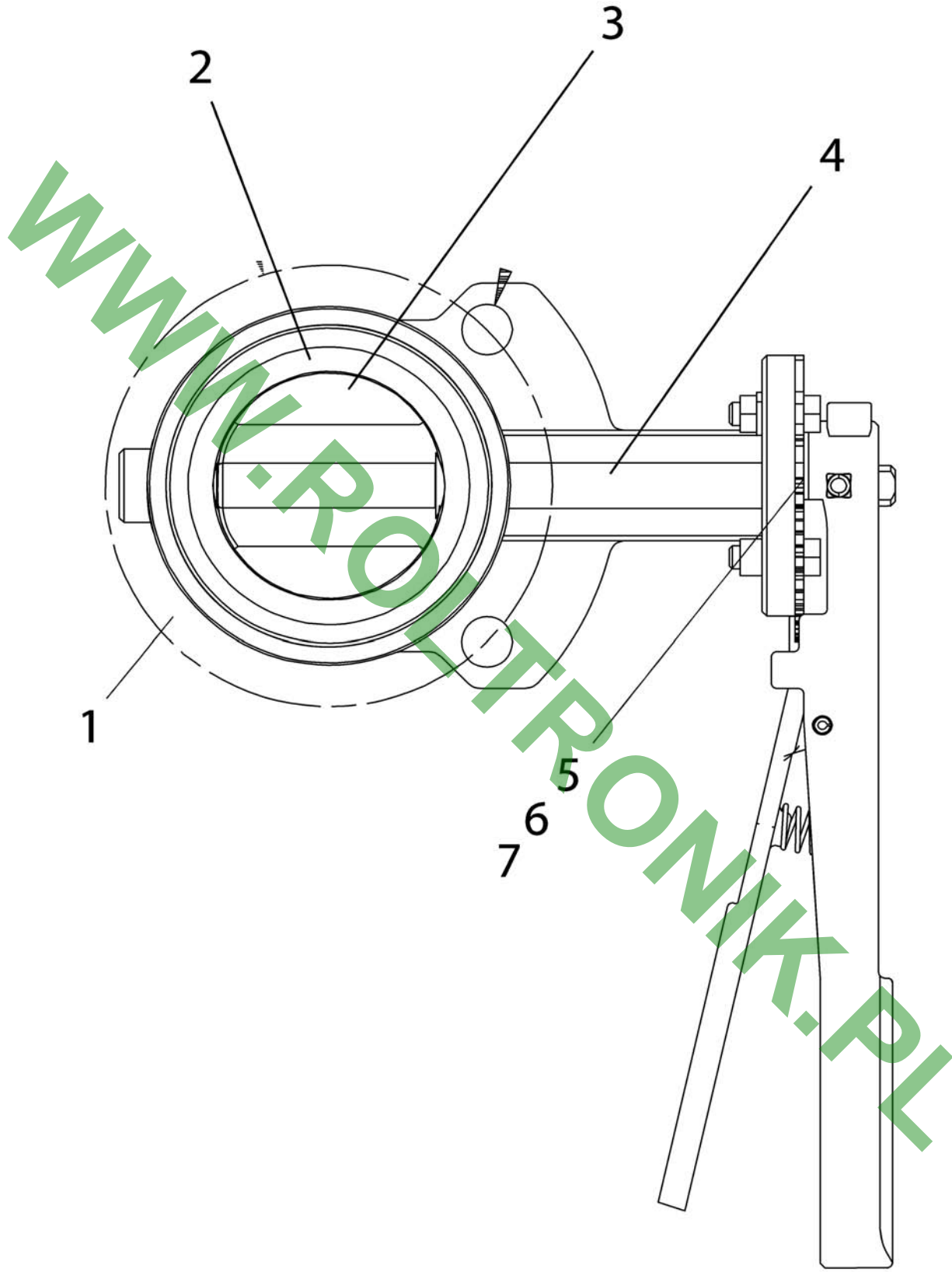


ITEM	PART #	QTY	DESCRIPTION	COMMENTS
1	AG027275	4	NUT,NY-LOCK 1/4-20 SS HX (P)	
2	AG123647	1	COUPLER-EH4 ACTR/3.00 BTFL	
3	AG123648	1	BRACKET-EH4 ACTR/3.00 BTFL	
4	AG123649	1	ACTUATOR-EH4,W/4 PIN DEUTSCH	[A]
5	AG520377	1	VALVE-BTFL,3.00	SEE PAGE 2-26
6	AG562047	4	BOLT 0.25-20NCX 0.50 S.S. HDD	
7	AG562050	4	WASHER LK 0.37 SS REG	
8	AG562065	4	NUT 0.37-16NC HEX SS REG	
9	AG604167	4	BOLT 0.37-16NCX 1.25 S.S. HDD	
	FOOTNOTE [A]		FOR REPLACEMENT CIRCUIT BOARD USE AG061259	
	FOOTNOTE [A]		CIRCUIT BOARD IS AG061259.	
	FOOTNOTE [A]		AG123760 IS COMPLETE VALVE ASSY.	
	FOOTNOTE:		ORDER INDIVIDUAL PARTS AS FOLLOWS:	
	FOOTNOTE:		1 - AG123649 ACTUATOR	
	FOOTNOTE:		1 -AG520377 BUTTERFLY	
	FOOTNOTE:		1 - AG123648 BRACKET	
	FOOTNOTE:		1 - AG123647 COUPLER	
	FOOTNOTE:		4 - AG604167 BOLT	
	FOOTNOTE:		4 - AG562047 BOLT	
	FOOTNOTE:		4 - AG027275 NUT	
	FOOTNOTE:		4 - AG562065 NUT	
	FOOTNOTE:		4 - AG562050 WASHER	



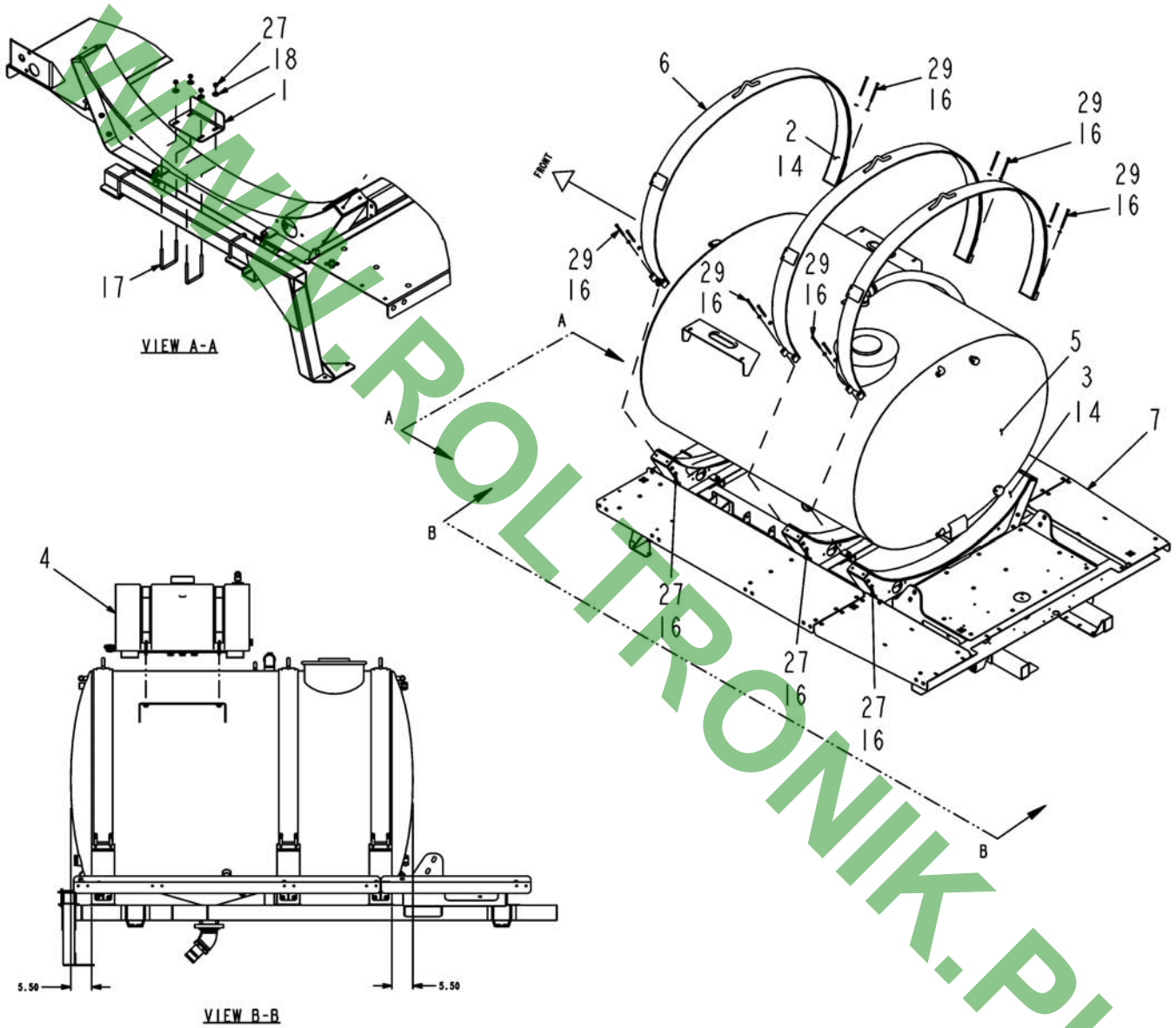
ITEM	PART #	QTY	DESCRIPTION	COMMENTS
1	AG520095	1	VALVE 3.00 BFLY W/10P LEVER	SEE PAGE 1-4

WWW.ROLTRONIK.PL

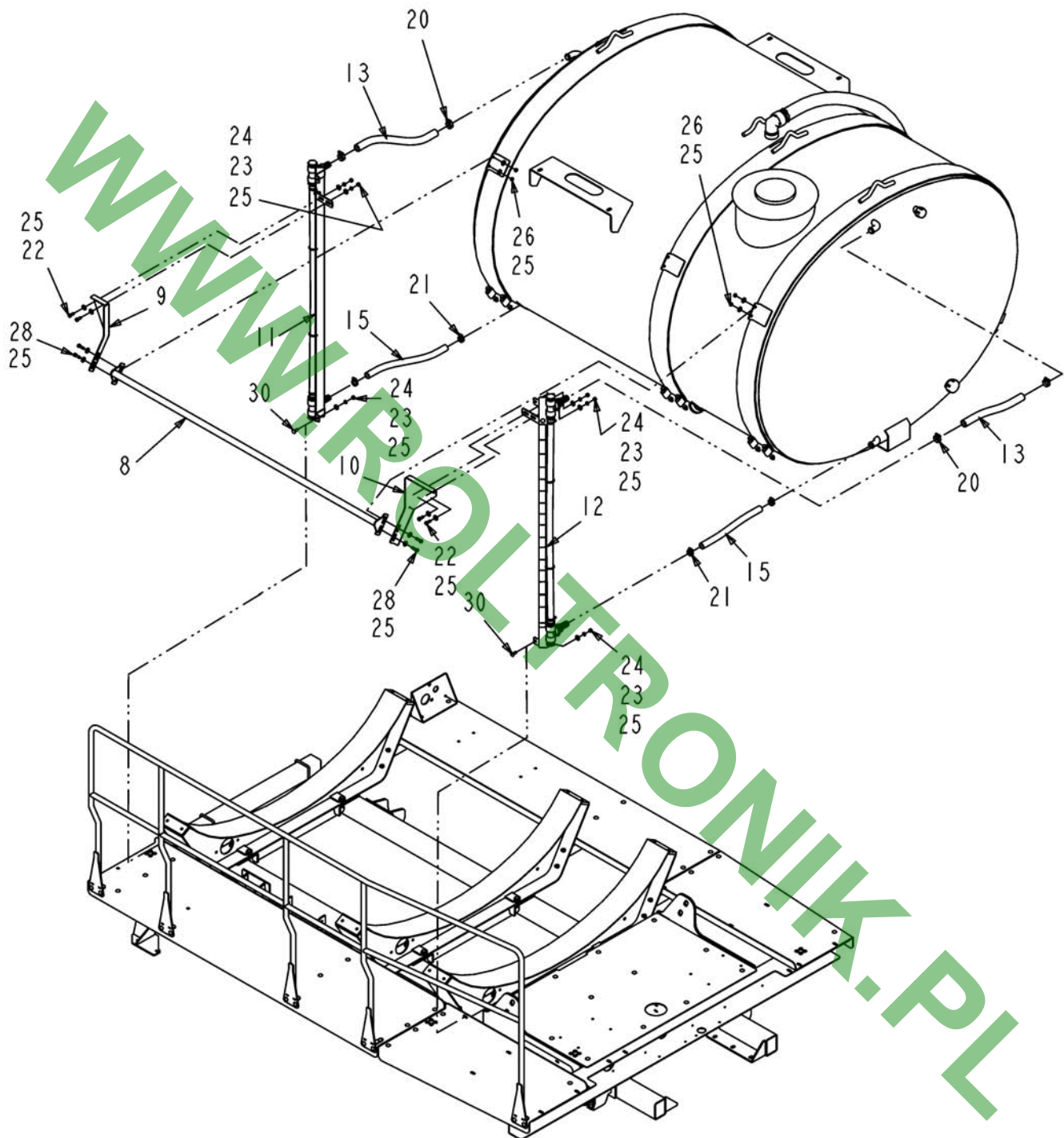


ITEM	PART #	QTY	DESCRIPTION	COMMENTS
REF	AG610181	1	HANDLE-VALVE,2.0/3.0 10 POS	
REF	AG717132	1	KIT-REPAIR,VALVE 3.00	[A]
REF	AG723074	1	REPAIR KIT-VITON 3 IN 520095	
1	AG520377	1	VALVE-BTFL,3.00	SEE PAGE 2-26
2	AG716188	1	SEAT- 3.00 EPDM	
2	AG727089	1	SEAT/VALVE 3 IN VITON	
3	AG131015	1	DISC, VALVE	
4	AG131014	1	STEM, VALVE	
5	AG727083	1	SEAL/STEM-2 IN SS VALV	
6	AG727085	1	BUSHING/VALVE 3 IN SS	
7	AG716190	1	KIT RETAINER 2.00 & 3.00 IN	
	FOOTNOTE [A]		AG723074 VITON REPAIR KIT	
	FOOTNOTE:		FOR REPLACEMENT SEAL KIT USE AG717131	
	FOOTNOTE:		FOR REPLACEMENT HANDLE USE AG610182	
	FOOTNOTE:		FOR REPLACEMENT VALVE USE AG610186	

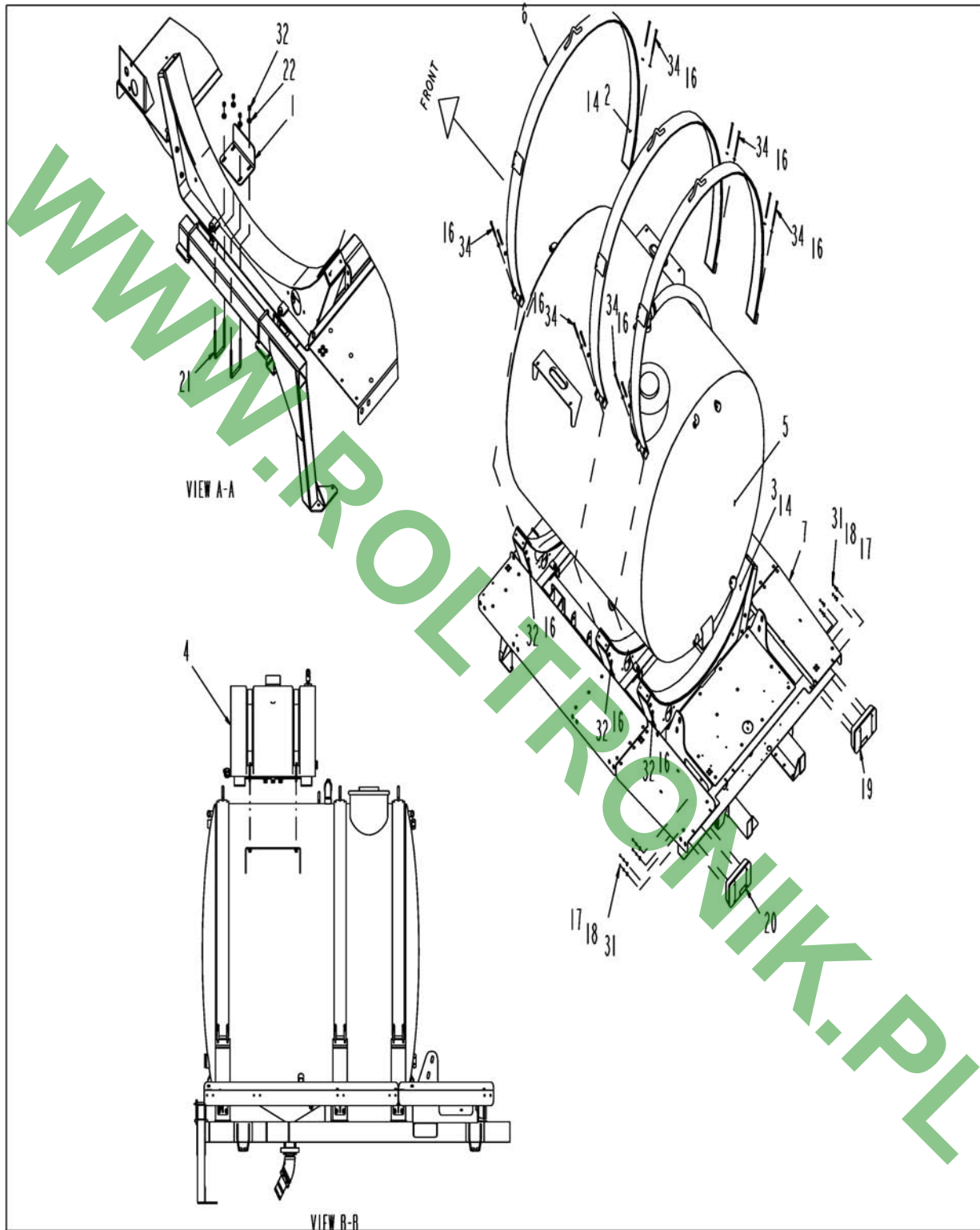
WWW.ROLTRONIK.PL



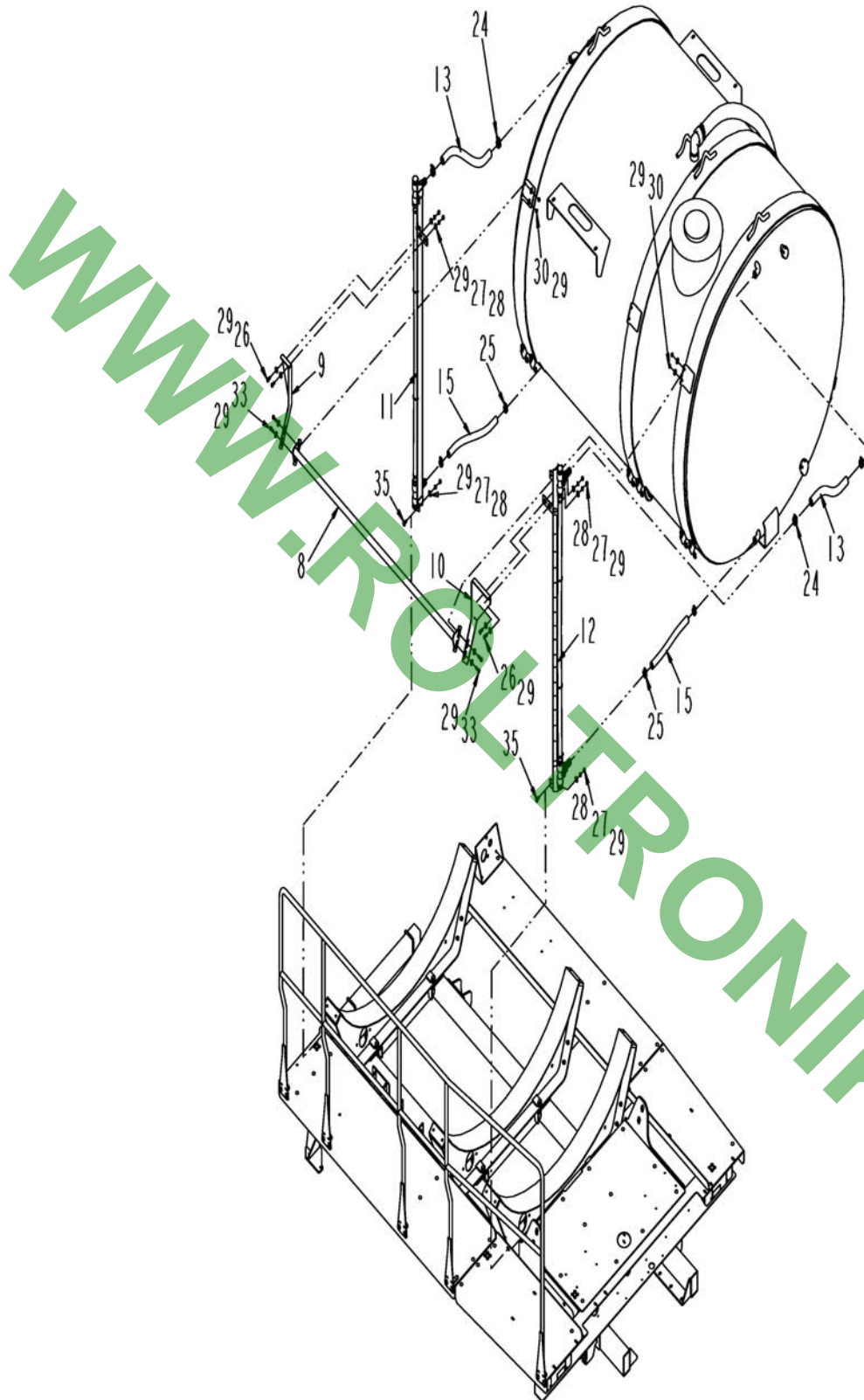
ITEM	PART #	QTY	DESCRIPTION	COMMENTS
1	AG121042	1	PLATE-STOP,TANK,PRODUCT	
2	AG121461	3	MATTING-RUBBER,TK STRAP,1240GL	
3	AG121462	3	MATTING-RUBBER,TK SPRT,1080GL	
4	AG122202	1	TANK INSTL-RINSE, TOP,1240GL	SEE PAGE 11-1
5	AG127819	1	TANK ASM-1240GL	SEE PAGE 1-7
6	AG127822	3	STRAP WLDMT-TANK,1240GL	
7	AG127832	1	SADDLE ASM-1240GL	SEE PAGE 1-8
8	AG127882	1	RETAINER WLDMT-HOSE,TANK	
9	AG128108	1	BRKT-MTG,FRT,SIGHT GAUGE,1240	
10	AG128109	1	BRKT-MTG,REAR,SIGHT GAUGE,1240	
11	AG128110	1	SIGHT GAUGE ASM-FRT,1240GL	SEE PAGE 1-9
12	AG128111	1	SIGHT GAUGE ASM-REAR,1240GL	SEE PAGE 1-10
13	AG511528	-	HOSE 1.00 2BRD EPDM [BULK: 3.334 FT]	
14	AG512346	-	3M 1300 YELLOW ADHESIVE (GAL) [BULK: 0.001 GA]	[A]
15	AG513679	-	HOSE-1.00 EVA,TRANSLUCENT [BULK: 3.250 FT]	
16	AG514559	24	WASHER 0.37 FL ZN SAE G8	
17	AG523935	2	BOLT-U, .38-16X3.12X4.00,GRS,ZP	
18	AG551007	4	WASHER FL 0.37 ZN REG TYPE-B	
19	AG553557	AR	TIE CABLE 7.37 .06-1.37 BLACK	
20	AG561213	4	CLAMP 0.81-1.50 HOSE 16HS	
21	AG561229	4	CLAMP 0.68-1.25 HOSE 12HS	
22	AG562048	4	BOLT 0.37-16NCX 1.00 S.S. HHD	
23	AG562050	6	WASHER LK 0.37 SS REG	
24	AG562065	6	NUT 0.37-16NC HEX SS REG	
25	AG562073	18	WASHER FL 0.37 SS REG	
26	AG562123	4	NUT 0.37-16NC HEX SSC-LK	
27	AG601411	16	NUT 0.37-16NC HEX ZN REG LK NY	
28	AG604167	4	BOLT 0.37-16NCX 1.25 S.S. HHD	
29	AG606683	12	BOLT 0.37-16NCX 5.00 G8 ZN HHD	
30	AG609084	2	BOLT 0.37-16NCX 1.00 CRG SS409	
	FOOTNOTE [A]		AG717696 RUBBER ADHESIVE IN PINTS	



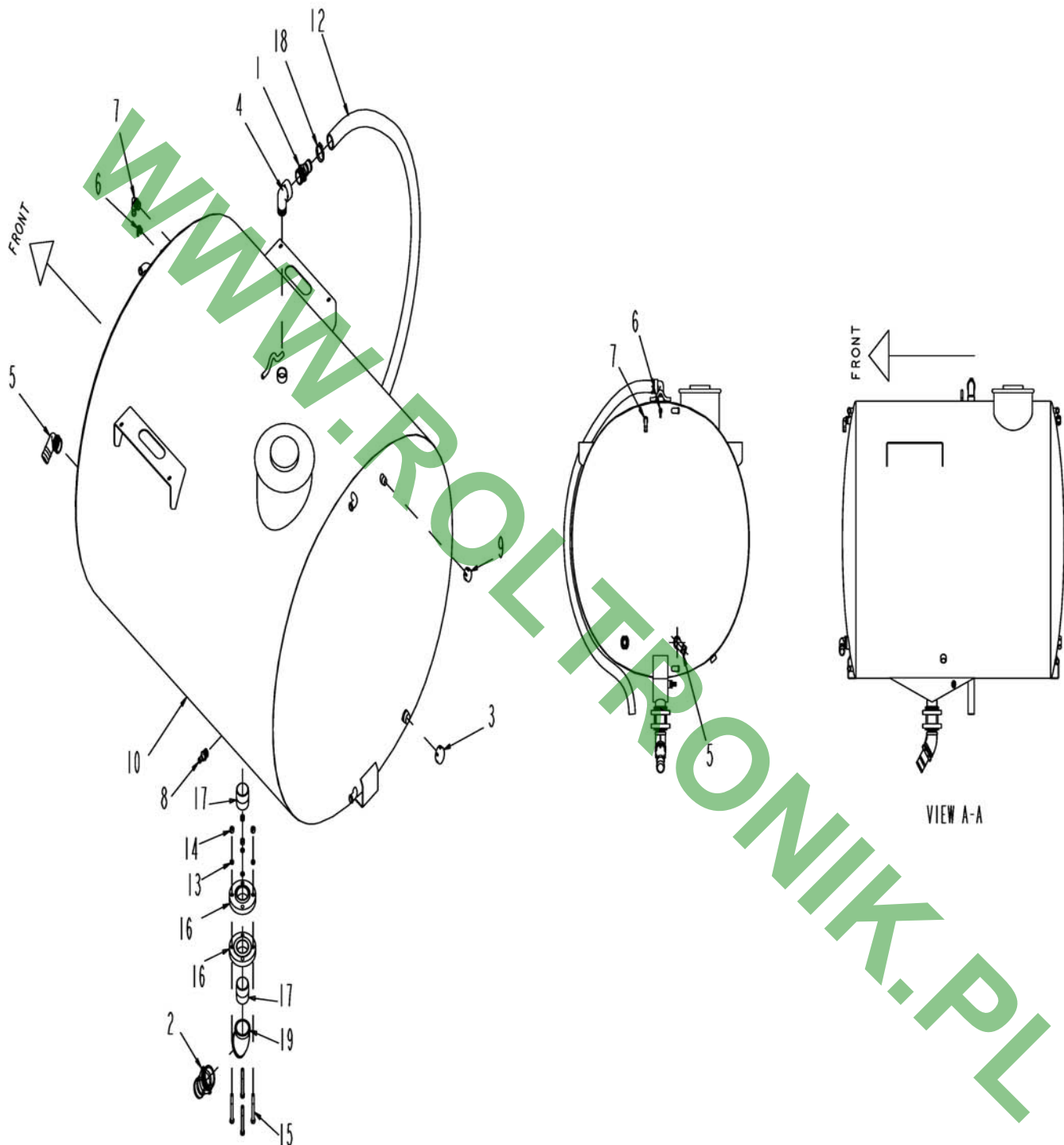
ITEM	PART #	QTY	DESCRIPTION	COMMENTS
1	AG121042	1	PLATE-STOP,TANK,PRODUCT	
2	AG121461	3	MATTING-RUBBER,TK STRAP,1240GL	
3	AG121462	3	MATTING-RUBBER,TK SPRT,1080GL	
4	AG122202	1	TANK INSTL-RINSE,TOP,1240GL	SEE PAGE 11-1
5	AG127819	1	TANK ASM-1240GL	SEE PAGE 1-7
6	AG127822	3	STRAP WLDMT-TANK,1240GL	
7	AG127832	1	SADDLE ASM-1240GL	SEE PAGE 1-8
8	AG127882	1	RETAINER WLDMT-HOSE,TANK	
9	AG128108	1	BRKT-MTG,FRT,SIGHT GAUGE,1240	
10	AG128109	1	BRKT-MTG,REAR,SIGHT GAUGE,1240	
11	AG128110	1	SIGHT GAUGE ASM-FRT,1240GL	SEE PAGE 1-9
12	AG128111	1	SIGHT GAUGE ASM-REAR,1240GL	SEE PAGE 1-10
13	AG511528	-	HOSE 1.00 2BRD EPDM [BULK: 3.334 FT]	
14	AG512346	-	3M 1300 YELLOW ADHESIVE (GAL) [BULK: 0.001 GA]	[A]
15	AG513679	-	HOSE-1.00 EVA,TRANSLUCENT [BULK: 3.250 FT]	
16	AG514559	24	WASHER 0.37 FL ZN SAE G8	
17	AG523935	2	BOLT-U,.38-16X3.12X4.00,GRS,ZP	
18	AG551007	4	WASHER FL 0.37 ZN REG TYPE-B	
19	AG553557	AR	TIE CABLE 7.37 .06-1.37 BLACK	
20	AG561213	4	CLAMP 0.81-1.50 HOSE 16HS	
21	AG561229	4	CLAMP 0.68-1.25 HOSE 12HS	
22	AG562048	4	BOLT 0.37-16NCX 1.00 S.S. HDD	
23	AG562050	6	WASHER LK 0.37 SS REG	
24	AG562065	6	NUT 0.37-16NC HEX SS REG	
25	AG562073	18	WASHER FL 0.37 SS REG	
26	AG562123	4	NUT 0.37-16NC HEX SSC-LK	
27	AG601411	16	NUT 0.37-16NC HEX ZN REG LK NY	
28	AG604167	4	BOLT 0.37-16NCX 1.25 S.S. HDD	
29	AG606683	12	BOLT 0.37-16NCX 5.00 G8 ZN HDD	
30	AG609084	2	BOLT 0.37-16NCX 1.00 CRG SS409	
	FOOTNOTE [A]		AG717696 RUBBER ADHESIVE IN PINTS	



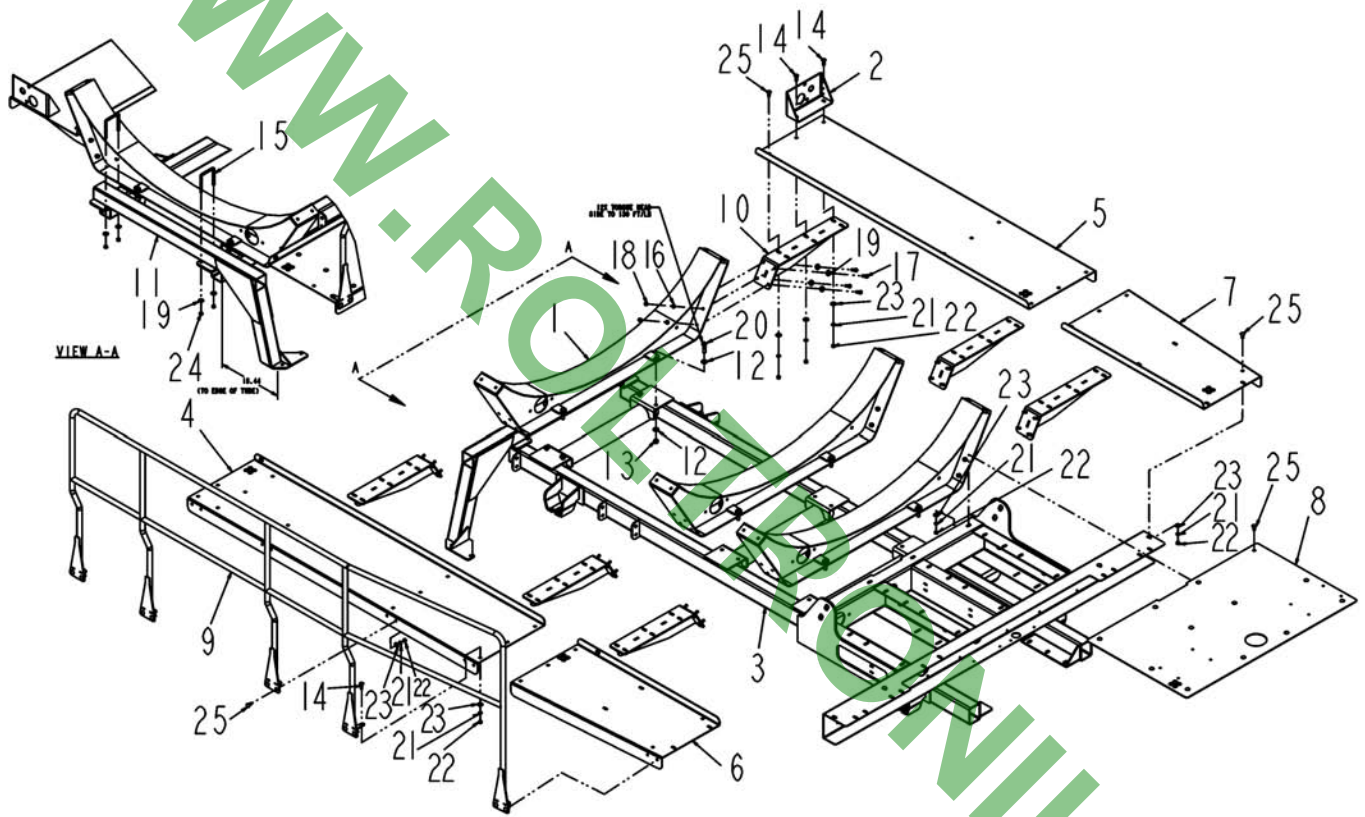
ITEM	PART #	QTY	DESCRIPTION	COMMENTS
1	AG121042	1	PLATE-STOP,TANK,PRODUCT	
2	AG121461	3	MATTING-RUBBER,TK STRAP,1240GL	
3	AG121462	3	MATTING-RUBBER,TK SPRT,1080GL	
4	AG122202	1	TANK INSTL-RINSE, TOP,1240GL	SEE PAGE 11-1
5	AG127819	1	TANK ASM-1240GL	SEE PAGE 1-7
6	AG127822	3	STRAP WLDMT-TANK,1240GL	
7	AG127832	1	SADDLE ASM-1240GL	SEE PAGE 1-8
8	AG127882	1	RETAINER WLDMT-HOSE,TANK	
9	AG128108	1	BRKT-MTG,FRT,SIGHT GAUGE,1240	
10	AG128109	1	BRKT-MTG,REAR,SIGHT GAUGE,1240	
11	AG128110	1	SIGHT GAUGE ASM-FRT,1240GL	SEE PAGE 1-9
12	AG128111	1	SIGHT GAUGE ASM-REAR,1240GL	SEE PAGE 1-10
13	AG511528	-	HOSE 1.00 2BRD EPDM [BULK: 3.500 FT]	
14	AG512346	-	3M 1300 YELLOW ADHESIVE (GAL) [BULK: 0.001 GA]	[A]
15	AG513679	-	HOSE-1.00 EVA,TRANSLUCENT [BULK: 3.250 FT]	
16	AG514559	24	WASHER 0.37 FL ZN SAE G8	
17	AG515121	8	WASHER 0.25 FL SS REG	
18	AG515122	8	WASHER LK 0.25 SS REG	
19	AG516567	1	LAMP CLUSTER REAR RH	SEE PAGE 6-4
20	AG516568	1	LAMP CLUSTER REAR LH	SEE PAGE 6-5
21	AG523935	2	BOLT-U, 38-16X3.12X4.00,GRS,ZP	
22	AG551007	4	WASHER FL 0.37 ZN REG TYPE-B	
23	AG553557	AR	TIE CABLE 7.37 .06-1.37 BLACK	
24	AG561213	4	CLAMP 0.81-1.50 HOSE 16HS	
25	AG561229	4	CLAMP 0.68-1.25 HOSE 12HS	
26	AG562048	4	BOLT 0.37-16NCX 1.00 S.S. HHD	
27	AG562050	6	WASHER LK 0.37 SS REG	
28	AG562065	6	NUT 0.37-16NC HEX SS REG	
29	AG562073	18	WASHER FL 0.37 SS REG	
30	AG562123	4	NUT 0.37-16NC HEX SSC-LK	
31	AG562793	8	NUT HEX M6 X 1.00	
32	AG601411	16	NUT 0.37-16NC HEX ZN REG LK NY	
33	AG604167	4	BOLT 0.37-16NCX 1.25 S.S. HHD	
34	AG606683	12	BOLT 0.37-16NCX 5.00 G8 ZN HHD	
35	AG609084	2	BOLT 0.37-16NCX 1.00 CRG SS409	
	FOOTNOTE [A]		AG717696 RUBBER ADHESIVE IN PINTS	



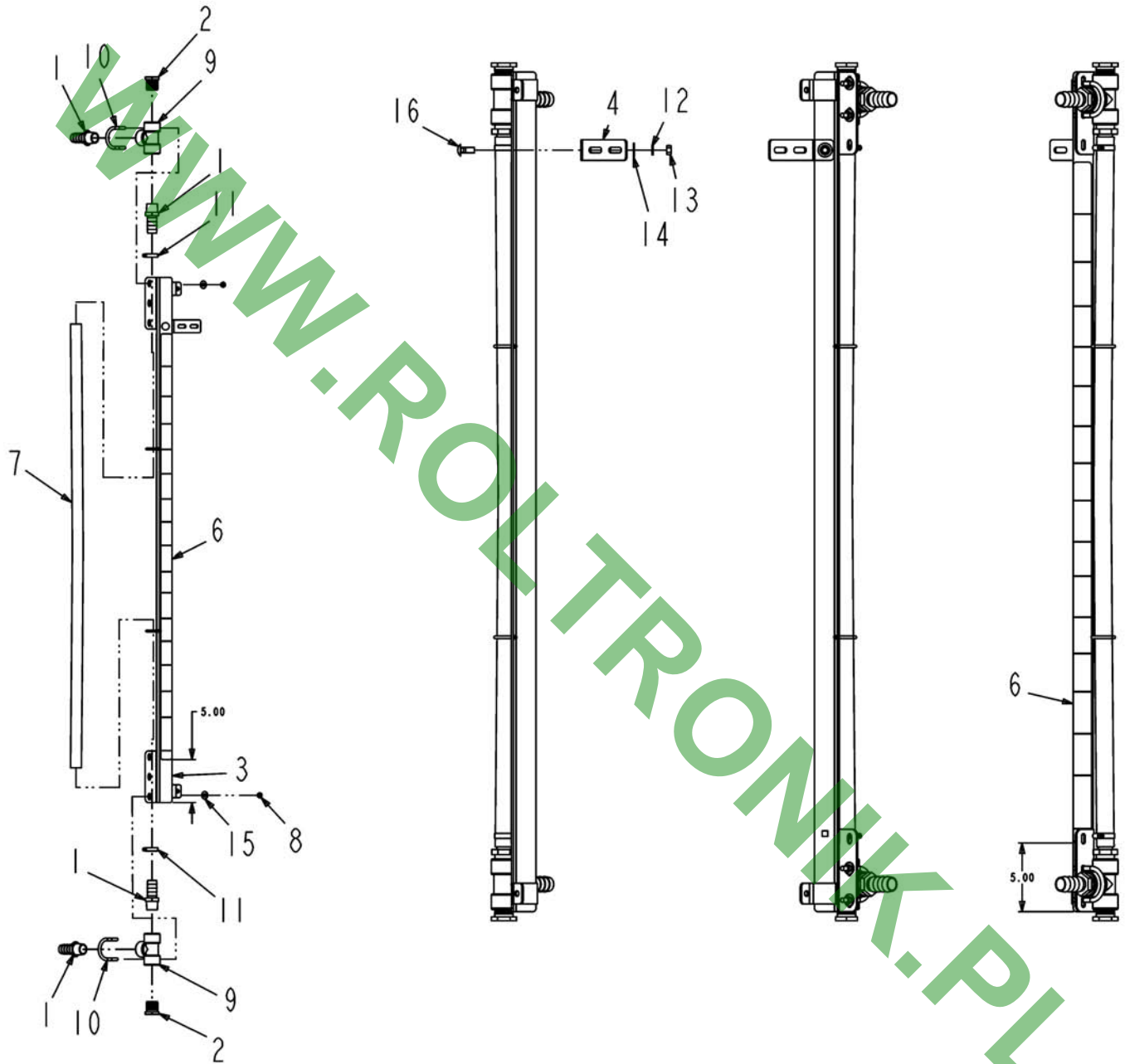
ITEM	PART #	QTY	DESCRIPTION	COMMENTS
1	AG121042	1	PLATE-STOP,TANK,PRODUCT	
2	AG121461	3	MATTING-RUBBER,TK STRAP,1240GL	
3	AG121462	3	MATTING-RUBBER,TK SPRT,1080GL	
4	AG122202	1	TANK INSTL-RINSE, TOP,1240GL	SEE PAGE 11-1
5	AG127819	1	TANK ASM-1240GL	SEE PAGE 1-7
6	AG127822	3	STRAP WLDMT-TANK,1240GL	
7	AG127832	1	SADDLE ASM-1240GL	SEE PAGE 1-8
8	AG127882	1	RETAINER WLDMT-HOSE,TANK	
9	AG128108	1	BRKT-MTG,FRT,SIGHT GAUGE,1240	
10	AG128109	1	BRKT-MTG,REAR,SIGHT GAUGE,1240	
11	AG128110	1	SIGHT GAUGE ASM-FRT,1240GL	SEE PAGE 1-9
12	AG128111	1	SIGHT GAUGE ASM-REAR,1240GL	SEE PAGE 1-10
13	AG511528	-	HOSE 1.00 2BRD EPDM [BULK: 3.500 FT]	
14	AG512346	-	3M 1300 YELLOW ADHESIVE (GAL) [BULK: 0.001 GA]	[A]
15	AG513679	-	HOSE-1.00 EVA,TRANSLUCENT [BULK: 3.250 FT]	
16	AG514559	24	WASHER 0.37 FL ZN SAE G8	
17	AG515121	8	WASHER 0.25 FL SS REG	
18	AG515122	8	WASHER LK 0.25 SS REG	
19	AG516567	1	LAMP CLUSTER REAR RH	SEE PAGE 6-4
20	AG516568	1	LAMP CLUSTER REAR LH	SEE PAGE 6-5
21	AG523935	2	BOLT-U, 38-16X3.12X4.00,GRS,ZP	
22	AG551007	4	WASHER FL 0.37 ZN REG TYPE-B	
23	AG553557	AR	TIE CABLE 7.37 .06-1.37 BLACK	
24	AG561213	4	CLAMP 0.81-1.50 HOSE 16HS	
25	AG561229	4	CLAMP 0.68-1.25 HOSE 12HS	
26	AG562048	4	BOLT 0.37-16NCX 1.00 S.S. HHD	
27	AG562050	6	WASHER LK 0.37 SS REG	
28	AG562065	6	NUT 0.37-16NC HEX SS REG	
29	AG562073	18	WASHER FL 0.37 SS REG	
30	AG562123	4	NUT 0.37-16NC HEX SSC-LK	
31	AG562793	8	NUT HEX M6 X 1.00	
32	AG601411	16	NUT 0.37-16NC HEX ZN REG LK NY	
33	AG604167	4	BOLT 0.37-16NCX 1.25 S.S. HHD	
34	AG606683	12	BOLT 0.37-16NCX 5.00 G8 ZN HHD	
35	AG609084	2	BOLT 0.37-16NCX 1.00 CRG SS409	
	FOOTNOTE [A]		AG717696 RUBBER ADHESIVE IN PINTS	



ITEM	PART #	QTY	DESCRIPTION	COMMENTS
1	AG000767	1	BARB-HOSE,2.00MNPTX2.00BARB,PP	
2	AG000768	1	BARB-HOSE,3.00MNPTX3.00BARB,PP	
3	AG050269	1	CAP-PIPE,1.50NPT PP	
4	AG050689	1	ELBOW-PIPE,2.00STREET,90D,PP	
5	AG050692	1	ELBOW 90D 2.00NPTX2.00 BARB PP	
6	AG051138	1	ELBOW 90D 0.50NPTX0.38BARB PP	
7	AG051145	1	ELBOW 90D 1.00NPTX1.00 BARB PP	
8	AG051182	1	BARB-HOSE,1.00MNPTX0.75BARB,PP	
9	AG051536	1	CAP-PIPE,1.00NPT PP	
10	AG127816	1	TANK-1240GL,SS	
11	AG129187	AR	PIPE SEALANT-POLY SEAL	
12	AG511722	-	HOSE-2.00,WIRE BRAID,EPDM [BULK: 10.334 FT]	
13	AG550450	4	WASHER 0.62 LK ZN REG	
14	AG550477	4	NUT 0.62-11NC HEX ZN REG	
15	AG552046	4	BOLT.62-11NCX4.50G5 ZN HHD	
16	AG553026	2	FLANGE COMP 3.0NPTX7.5 4H	[A]
17	AG560931	2	NIPPLE 3.00NPTX 2.62PIPE 304SS	
18	AG561233	1	CLAMP-HOSE,1.81X2.75,36HS	
19	AG711986	1	ELBOW 45D 3.00 IN 304SS	
	FOOTNOTE [A]		4 BOLT HOLES	

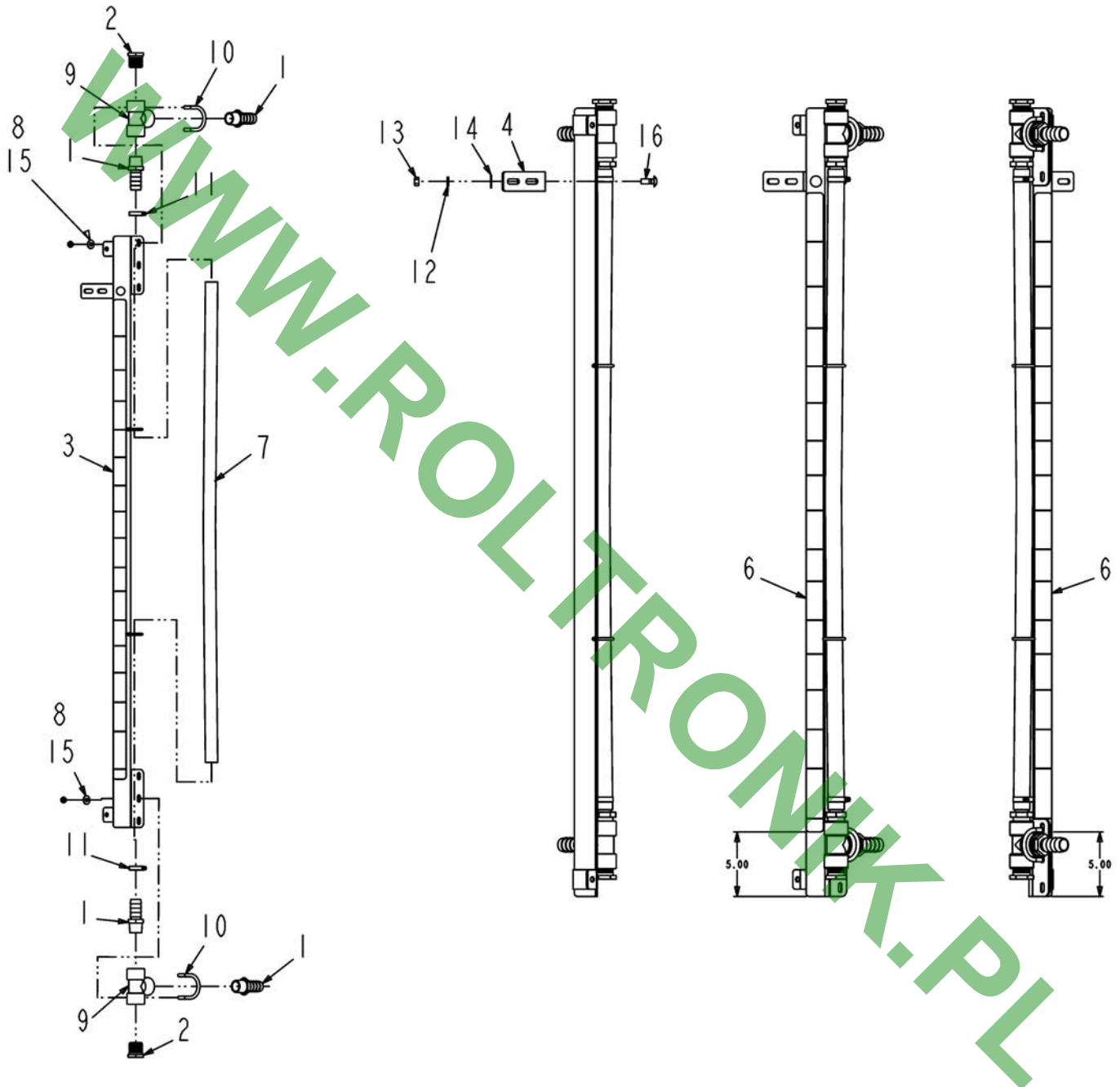


ITEM	PART #	QTY	DESCRIPTION	COMMENTS
1	AG121093	3	SUPPORT WLDMT-TANK,1240GL	
2	AG122038	1	BRKT-MTG,PWM VALVE,LIQ SYS	
3	AG123805	1	SADDLE WLDMT-LONG TIEDOWN PAT	
4	AG127825	1	CATWALK-LH,FRONT	
5	AG127826	1	CATWALK-RH,FRONT	
6	AG127827	1	CATWALK-LH,REAR,1080/1240	
7	AG127828	1	CATWALK-RH,REAR,1080/1240	
8	AG127831	1	PLATE-CATWALK,CENTER	
9	AG128011	1	HNDRL WLDMT-LIQ SYS,1080/1240	
10	AG262418	6	GUSSET WLDMT-CATWALK SUPPORT	
11	AG424387	1	SUPPORT WLDMT-PUMP	
12	AG514554	24	WASHER-FL,.50,ZN,G8,REG	
13	AG520614	12	NUT-.50-13,G8,ZN,HH,C-LK	
14	AG522571	5	BOLT-.38-16X1.25,SS,CRG	
15	AG523935	2	BOLT-U,.38-16X3.12X4.00,GRS,ZP	
16	AG550191	24	WASHER LK 0.37 ZN REG	
17	AG550515	24	BOLT 0.37-16NCX 1.25 G5 ZN HHD	
18	AG550825	24	NUT 0.37-16NC HEX ZN REG	
19	AG551007	28	WASHER FL 0.37 ZN REG TYPE-B	
20	AG561665	12	BOLT 0.50-13NCX 2.00 G8 ZN HHD	
21	AG562050	50	WASHER LK 0.37 SS REG	
22	AG562065	50	NUT 0.37-16NC HEX SS REG	
23	AG562073	50	WASHER FL 0.37 SS REG	
24	AG601411	4	NUT 0.37-16NC HEX ZN REG LK NY	
25	AG609084	45	BOLT 0.37-16NCX 1.00 CRG SS409	



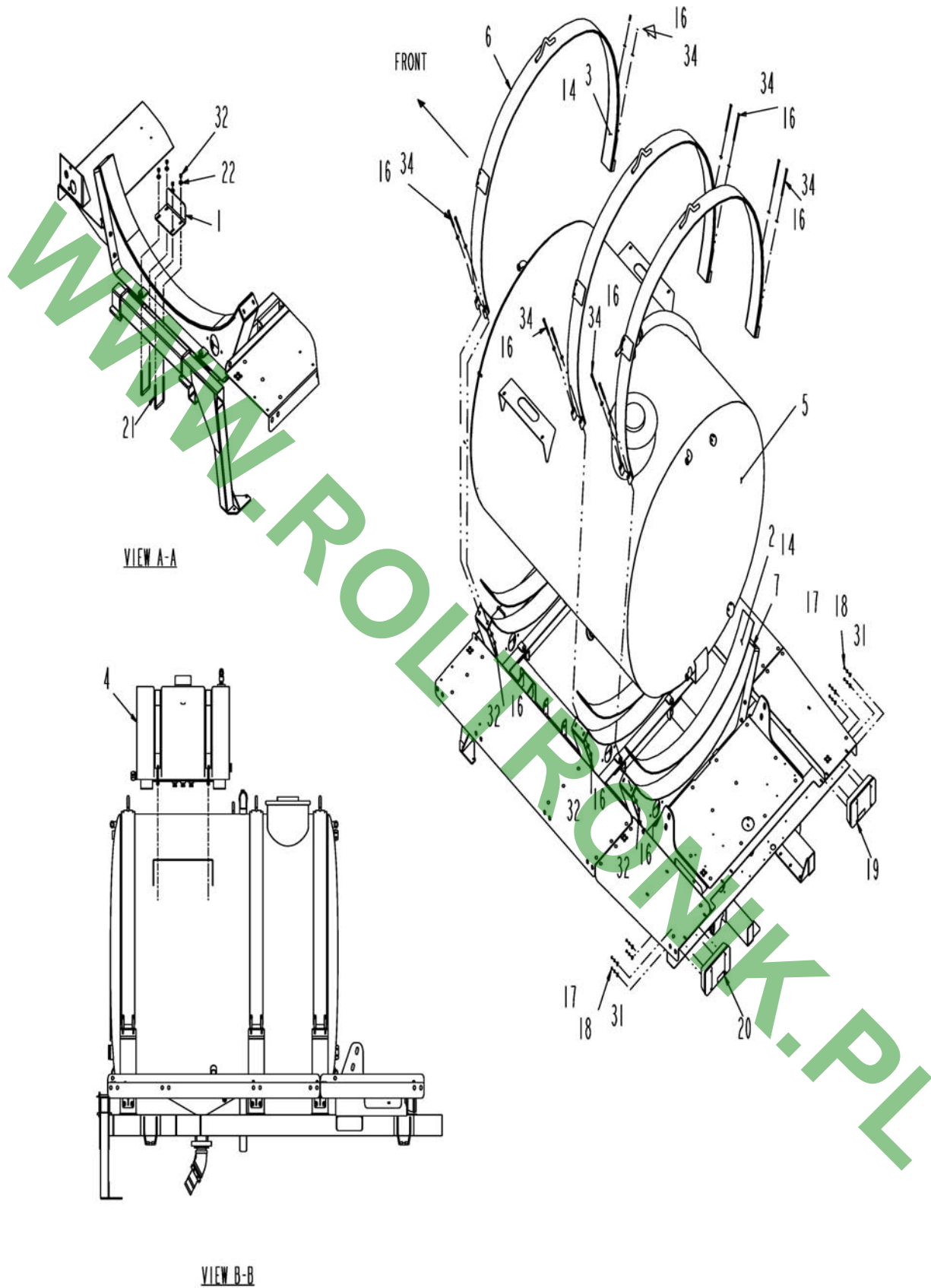
ITEM	PART #	QTY	DESCRIPTION	COMMENTS
1	AG051059	4	BARB-HOSE,1.00MNPTX1.00BARB,PP	
2	AG051135	2	PLUG-PIPE,HEX,1.00NPT,PP	
3	AG128103	1	SIGHT GAUGE WLDMT-1240GL	
4	AG128264	1	BRKT-MTG,HORZ,SIGHT GAUGE,RC	
5	AG129187	AR	PIPE SEALANT-POLY SEAL	
6	AG134024	2	DECAL-1240 GL	
7	AG513679	-	HOSE-1.00 EVA,TRANSLUCENT [BULK: 4.292 FT]	
8	AG516403	4	NUT 0.31-18NC HEX ESNA SS	
9	AG516405	2	TEE,PIPE,1.00FNPT,PP	
10	AG518292	2	BOLT-U .31-18X2.00X 2.69 RD SS	
11	AG561229	2	CLAMP 0.68-1.25 HOSE 12HS	
12	AG562050	1	WASHER LK 0.37 SS REG	
13	AG562065	1	NUT 0.37-16NC HEX SS REG	
14	AG562073	1	WASHER FL 0.37 SS REG	
15	AG562074	4	WASHER FL 0.31 SS REG	
16	AG609084	1	BOLT 0.37-16NCX 1.00 CRG SS409	

WWW.ROLTRONIK.PL

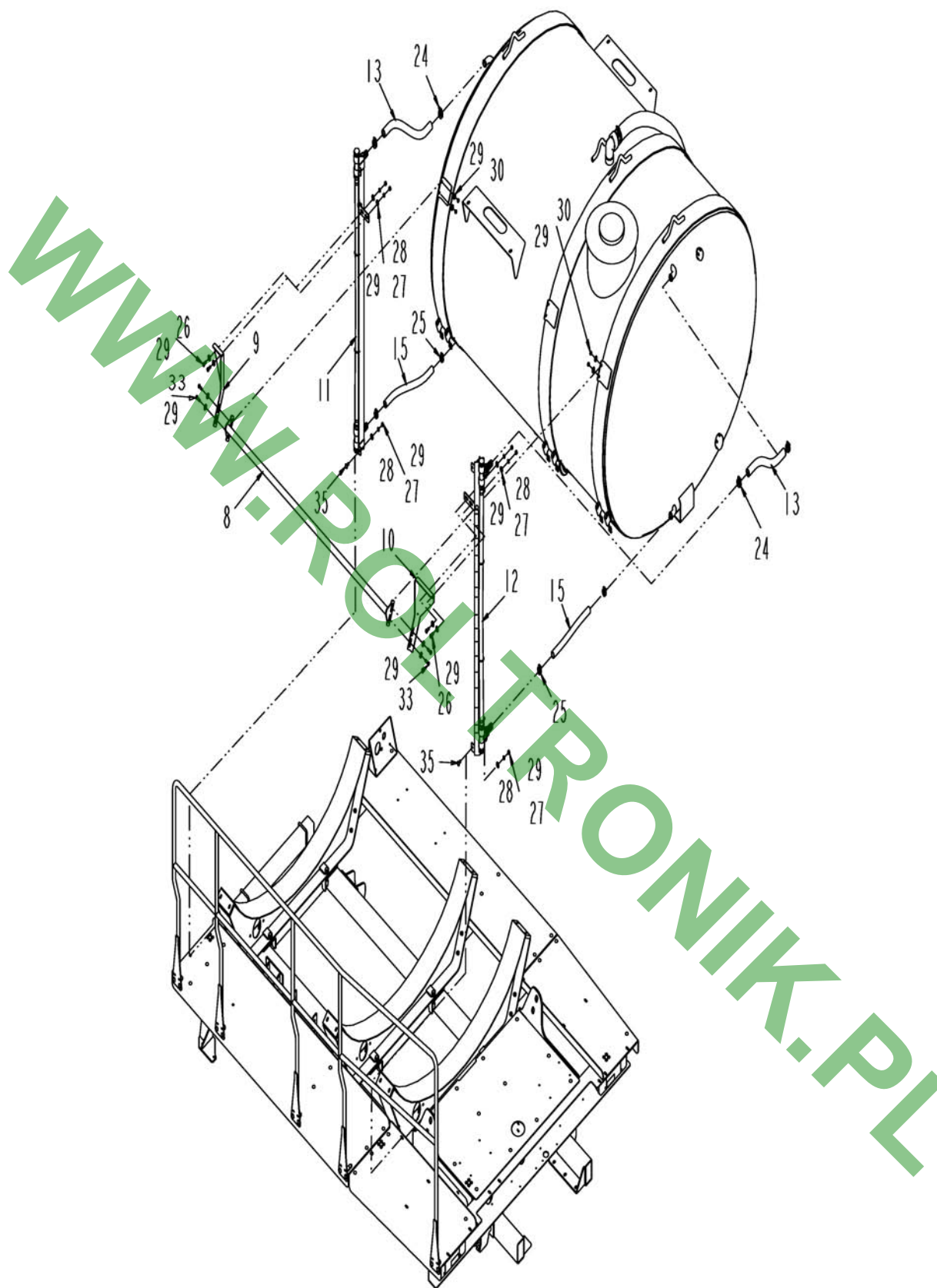


ITEM	PART #	QTY	DESCRIPTION	COMMENTS
1	AG051059	4	BARB-HOSE,1.00MNPTX1.00BARB,PP	
2	AG051135	2	PLUG-PIPE,HEX,1.00NPT,PP	
3	AG128103	1	SIGHT GAUGE WLDMT-1240GL	
4	AG128264	1	BRKT-MTG,HORZ,SIGHT GAUGE,RC	
5	AG129187	AR	PIPE SEALANT-POLY SEAL	
6	AG134024	2	DECAL-1240 GL	
7	AG513679	-	HOSE-1.00 EVA,TRANSLUCENT [BULK: 4.125 FT]	
8	AG516403	4	NUT 0.31-18NC HEX ESNA SS	
9	AG516405	2	TEE,PIPE,1.00FNPT,PP	
10	AG518292	2	BOLT-U .31-18X2.00X 2.69 RD SS	
11	AG561229	2	CLAMP 0.68-1.25 HOSE 12HS	
12	AG562050	1	WASHER LK 0.37 SS REG	
13	AG562065	1	NUT 0.37-16NC HEX SS REG	
14	AG562073	1	WASHER FL 0.37 SS REG	
15	AG562074	4	WASHER FL 0.31 SS REG	
16	AG609084	1	BOLT 0.37-16NCX 1.00 CRG SS409	

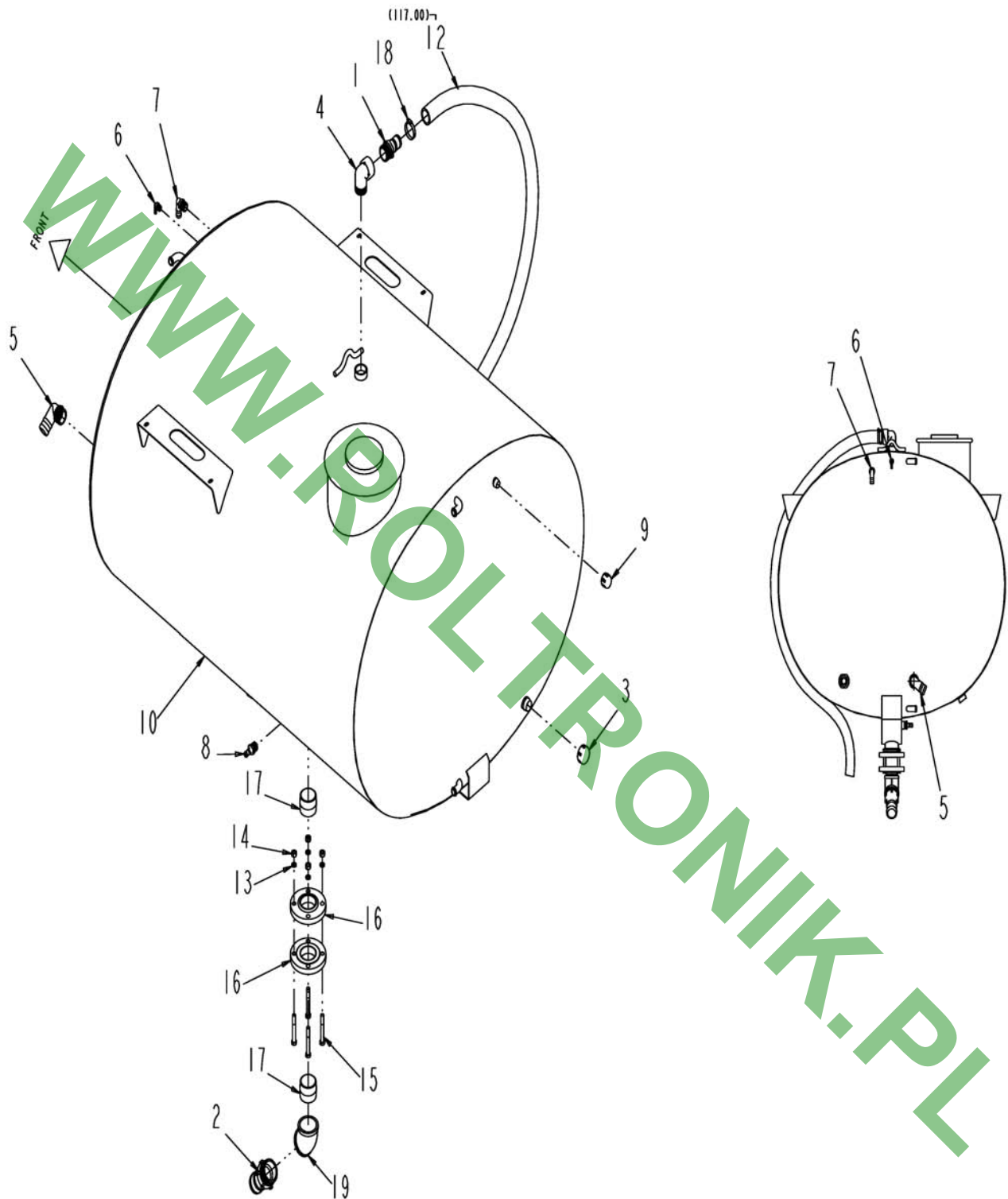
WWW.ROLTRONIK.PL



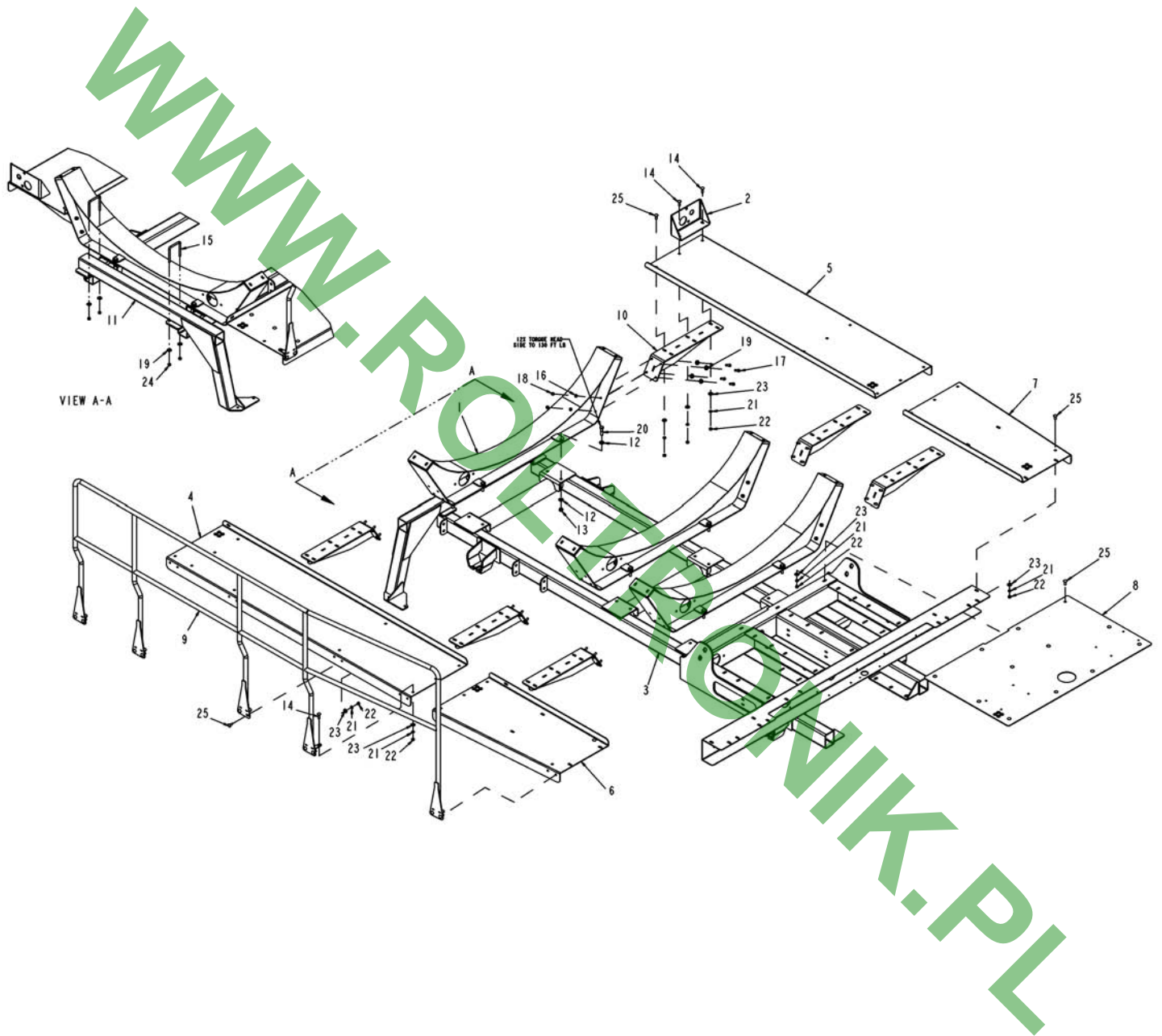
ITEM	PART #	QTY	DESCRIPTION	COMMENTS
1	AG121042	1	PLATE-STOP,TANK,PRODUCT	
2	AG121462	3	MATTING-RUBBER,TK SPRT,1080GL	
3	AG121463	3	MATTING-RUBBER,TK STRAP,1080GL	
4	AG121862	1	TANK INSTL-RINSE, TOP, 1080GL	SEE PAGE 11-2
5	AG127820	1	TANK ASM-1080GL	SEE PAGE 1-12
6	AG127823	3	STRAP WLDMT-TANK,1080GL	
7	AG127833	1	SADDLE ASM-1080GL	SEE PAGE 1-13
8	AG127882	1	RETAINER WLDMT-HOSE,TANK	
9	AG128265	1	BRKT-MTG,FRT,SIGHT GAUGE,1040	
10	AG128266	1	BRKT-MTG,REAR,SIGHTGAUGE,1080	
11	AG128269	1	SIGHT GAUGE ASM-FRT,1080GL	SEE PAGE 1-14
12	AG128270	1	SIGHT GAUGE ASM-REAR,1080GL	SEE PAGE 1-15
13	AG511528	-	HOSE 1.00 2BRD EPDM [BULK: 3.500 FT]	
14	AG512346	-	3M 1300 YELLOW ADHESIVE (GAL) [BULK: 0.001 GA]	[A]
15	AG513679	-	HOSE-1.00 EVA,TRANSLUCENT [BULK: 3.250 FT]	
16	AG514559	24	WASHER 0.37 FL ZN SAE G8	
17	AG515121	8	WASHER 0.25 FL SS REG	
18	AG515122	8	WASHER LK 0.25 SS REG	
19	AG516567	1	LAMP CLUSTER REAR RH	SEE PAGE 6-4
20	AG516568	1	LAMP CLUSTER REAR LH	SEE PAGE 6-5
21	AG523935	2	BOLT-U, 38-16X3.12X4.00,GRS,ZP	
22	AG551007	4	WASHER FL 0.37 ZN REG TYPE-B	
23	AG553557	AR	TIE CABLE 7.37 .06-1.37 BLACK	
24	AG561213	4	CLAMP 0.81-1.50 HOSE 16HS	
25	AG561229	4	CLAMP 0.68-1.25 HOSE 12HS	
26	AG562048	4	BOLT 0.37-16NCX 1.00 S.S. HHD	
27	AG562050	6	WASHER LK 0.37 SS REG	
28	AG562065	6	NUT 0.37-16NC HEX SS REG	
29	AG562073	18	WASHER FL 0.37 SS REG	
30	AG562123	6	NUT 0.37-16NC HEX SSC-LK	
31	AG562793	8	NUT HEX M6 X 1.00	
32	AG601411	16	NUT 0.37-16NC HEX ZN REG LK NY	
33	AG604167	4	BOLT 0.37-16NCX 1.25 S.S. HHD	
34	AG606683	12	BOLT 0.37-16NCX 5.00 G8 ZN HHD	
35	AG609084	2	BOLT 0.37-16NCX 1.00 CRG SS409	
	FOOTNOTE [A]		AG717696 RUBBER ADHESIVE IN PINTS	



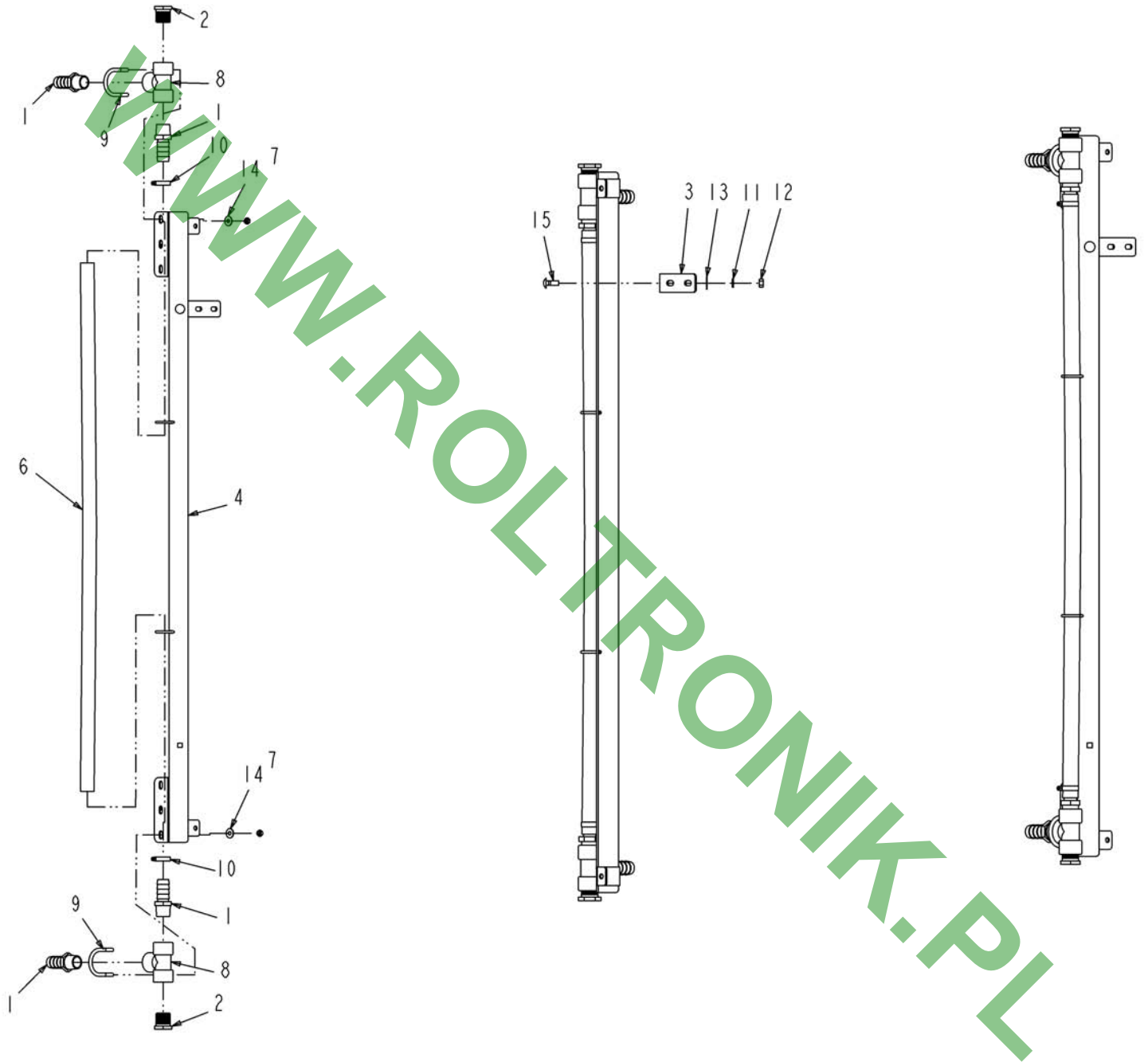
ITEM	PART #	QTY	DESCRIPTION	COMMENTS
1	AG121042	1	PLATE-STOP,TANK,PRODUCT	
2	AG121462	3	MATTING-RUBBER,TK SPRT,1080GL	
3	AG121463	3	MATTING-RUBBER,TK STRAP,1080GL	
4	AG121862	1	TANK INSTL-RINSE, TOP, 1080GL	SEE PAGE 11-2
5	AG127820	1	TANK ASM-1080GL	SEE PAGE 1-12
6	AG127823	3	STRAP WLDMT-TANK,1080GL	
7	AG127833	1	SADDLE ASM-1080GL	SEE PAGE 1-13
8	AG127882	1	RETAINER WLDMT-HOSE,TANK	
9	AG128265	1	BRKT-MTG,FRT,SIGHT GAUGE,1040	
10	AG128266	1	BRKT-MTG,REAR,SIGHTGAUGE,1080	
11	AG128269	1	SIGHT GAUGE ASM-FRT,1080GL	SEE PAGE 1-14
12	AG128270	1	SIGHT GAUGE ASM-REAR,1080GL	SEE PAGE 1-15
13	AG511528	-	HOSE 1.00 2BRD EPDM [BULK: 3.500 FT]	
14	AG512346	-	3M 1300 YELLOW ADHESIVE (GAL) [BULK: 0.001 GA]	[A]
15	AG513679	-	HOSE-1.00 EVA,TRANSLUCENT [BULK: 3.250 FT]	
16	AG514559	24	WASHER 0.37 FL ZN SAE G8	
17	AG515121	8	WASHER 0.25 FL SS REG	
18	AG515122	8	WASHER LK 0.25 SS REG	
19	AG516567	1	LAMP CLUSTER REAR RH	SEE PAGE 6-4
20	AG516568	1	LAMP CLUSTER REAR LH	SEE PAGE 6-5
21	AG523935	2	BOLT-U, 38-16X3.12X4.00,GRS,ZP	
22	AG551007	4	WASHER FL 0.37 ZN REG TYPE-B	
23	AG553557	AR	TIE CABLE 7.37 .06-1.37 BLACK	
24	AG561213	4	CLAMP 0.81-1.50 HOSE 16HS	
25	AG561229	4	CLAMP 0.68-1.25 HOSE 12HS	
26	AG562048	4	BOLT 0.37-16NCX 1.00 S.S. HHD	
27	AG562050	6	WASHER LK 0.37 SS REG	
28	AG562065	6	NUT 0.37-16NC HEX SS REG	
29	AG562073	18	WASHER FL 0.37 SS REG	
30	AG562123	6	NUT 0.37-16NC HEX SSC-LK	
31	AG562793	8	NUT HEX M6 X 1.00	
32	AG601411	16	NUT 0.37-16NC HEX ZN REG LK NY	
33	AG604167	4	BOLT 0.37-16NCX 1.25 S.S. HHD	
34	AG606683	12	BOLT 0.37-16NCX 5.00 G8 ZN HHD	
35	AG609084	2	BOLT 0.37-16NCX 1.00 CRG SS409	
	FOOTNOTE [A]		AG717696 RUBBER ADHESIVE IN PINTS	



ITEM	PART #	QTY	DESCRIPTION	COMMENTS
1	AG000767	1	BARB-HOSE,2.00MNPTX2.00BARB,PP	
2	AG000768	1	BARB-HOSE,3.00MNPTX3.00BARB,PP	
3	AG050269	1	CAP-PIPE,1.50NPT PP	
4	AG050689	1	ELBOW-PIPE,2.00STREET,90D,PP	
5	AG050692	1	ELBOW 90D 2.00NPTX2.00 BARB PP	
6	AG051138	1	ELBOW 90D 0.50NPTX0.38BARB PP	
7	AG051145	1	ELBOW 90D 1.00NPTX1.00 BARB PP	
8	AG051182	1	BARB-HOSE,1.00MNPTX0.75BARB,PP	
9	AG051536	1	CAP-PIPE,1.00NPT PP	
10	AG127817	1	TANK-1080GL,SS	
11	AG129187	AR	PIPE SEALANT-POLY SEAL	
12	AG511722	-	HOSE-2.00,WIRE BRAID,EPDM [BULK: 9.750 FT]	
13	AG550450	4	WASHER 0.62 LK ZN REG	
14	AG550477	4	NUT 0.62-11NC HEX ZN REG	
15	AG552046	4	BOLT.62-11NCX4.50G5 ZN HHD	
16	AG553026	2	FLANGE COMP 3.0NPTX7.5 4H	[A]
17	AG560931	2	NIPPLE 3.00NPTX 2.62PIPE 304SS	
18	AG561233	1	CLAMP-HOSE,1.81X2.75,36HS	
19	AG711986	1	ELBOW 45D 3.00 IN 304SS	
	FOOTNOTE [A]		4 BOLT HOLES	

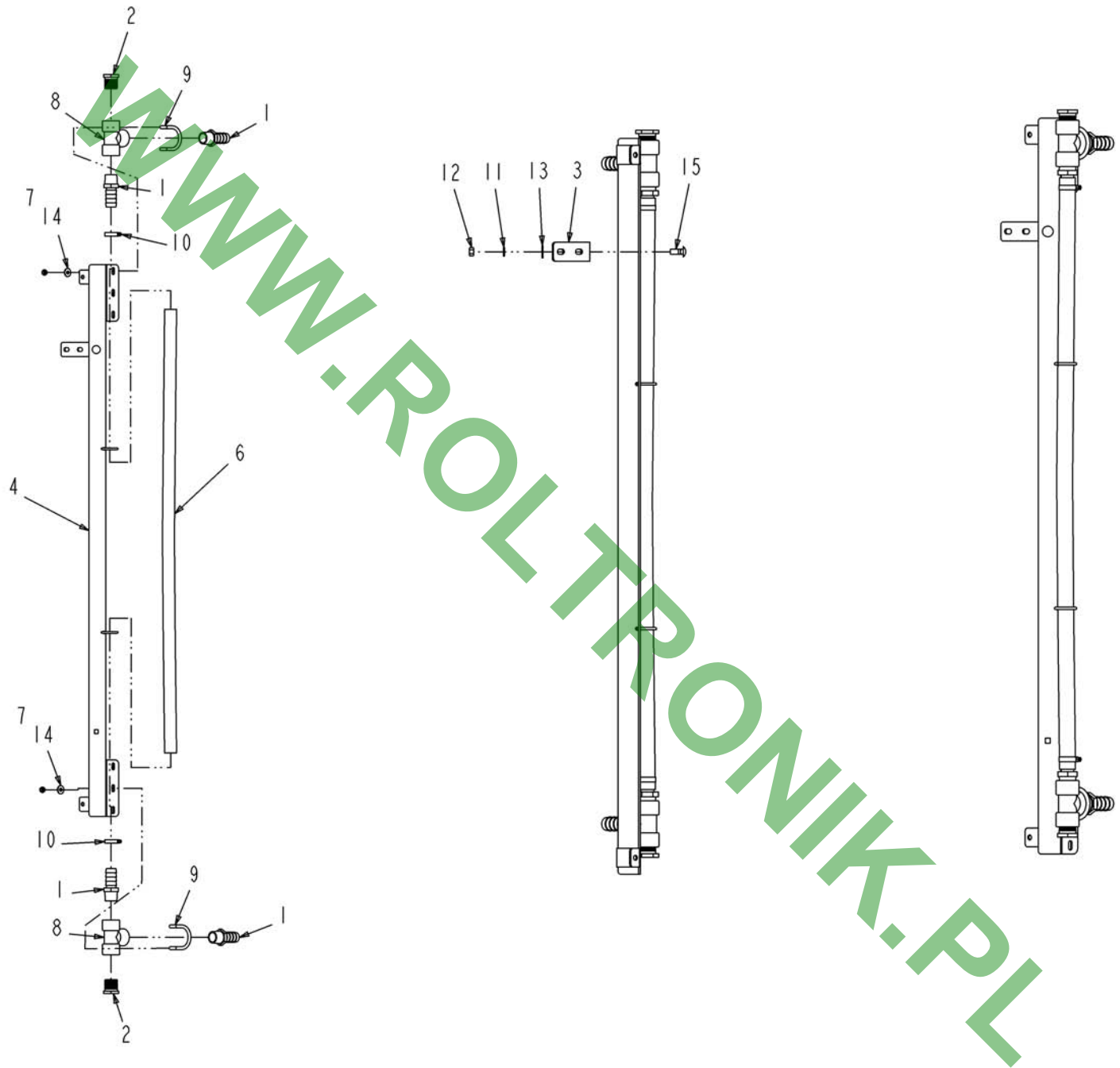


ITEM	PART #	QTY	DESCRIPTION	COMMENTS
1	AG121525	3	SUPPORT WLDMT-TANK,1080GL	
2	AG122038	1	BRKT-MTG,PWM VALVE,LIQ SYS	
3	AG123805	1	SADDLE WLDMT-LONG TIEDOWN PAT	
4	AG127825	1	CATWALK-LH,FRONT	
5	AG127826	1	CATWALK-RH,FRONT	
6	AG127827	1	CATWALK-LH,REAR,1080/1240	
7	AG127828	1	CATWALK-RH,REAR,1080/1240	
8	AG127831	1	PLATE-CATWALK,CENTER	
9	AG128011	1	HNDRL WLDMT-LIQ SYS,1080/1240	
10	AG262418	6	GUSSET WLDMT-CATWALK SUPPORT	
11	AG424387	1	SUPPORT WLDMT-PUMP	
12	AG514554	24	WASHER-FL,.50,ZN,G8,REG	
13	AG520614	12	NUT-.50-13,G8,ZN,HH,C-LK	
14	AG522571	4	BOLT-.38-16X1.25,SS,CRG	
15	AG522572	1	BOLT-.38-16X1.50,SS,CRG	
16	AG523935	2	BOLT-U,.38-16X3.12X4.00,GRS,ZP	
17	AG550191	24	WASHER LK 0.37 ZN REG	
18	AG550515	24	BOLT 0.37-16NCX 1.25 G5 ZN HHD	
19	AG550825	24	NUT 0.37-16NC HEX ZN REG	
20	AG551007	28	WASHER FL 0.37 ZN REG TYPE-B	
21	AG561665	12	BOLT 0.50-13NCX 2.00 G8 ZN HHD	
22	AG562050	50	WASHER LK 0.37 SS REG	
23	AG562065	50	NUT 0.37-16NC HEX SS REG	
24	AG562073	50	WASHER FL 0.37 SS REG	
25	AG601411	4	NUT 0.37-16NC HEX ZN REG LK NY	
26	AG609084	45	BOLT 0.37-16NCX 1.00 CRG SS409	



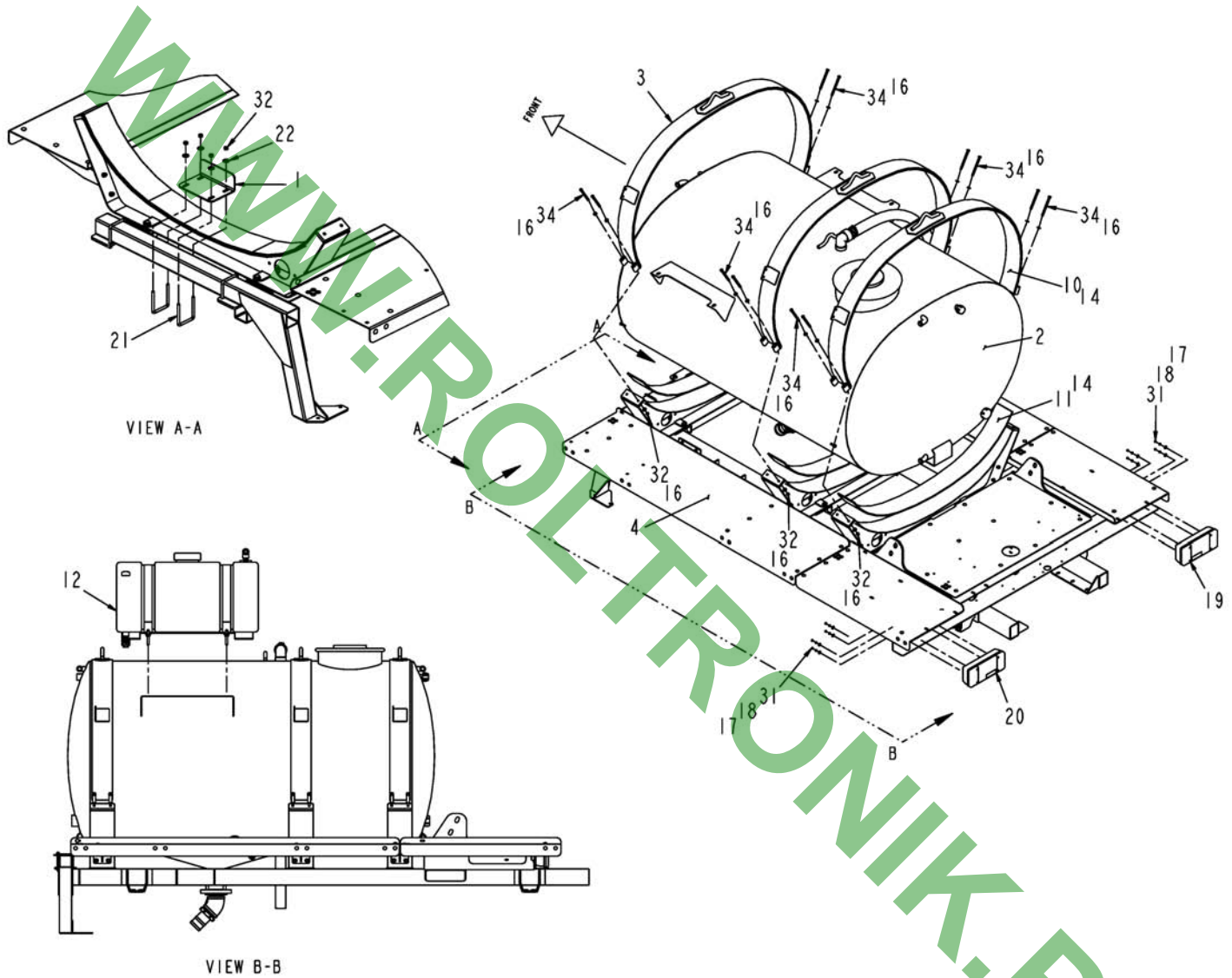
ITEM	PART #	QTY	DESCRIPTION	COMMENTS
1	AG051059	4	BARB-HOSE,1.00MNPTX1.00BARB,PP	
2	AG051135	2	PLUG-PIPE,HEX,1.00NPT,PP	
3	AG128264	1	BRKT-MTG,HORZ,SIGHT GAUGE,RC	
4	AG128268	1	SIGHT GAUGE WLDMT-1080GL	
5	AG129187	AR	PIPE SEALANT-POLY SEAL	
6	AG134025	2	DECAL-1080 GL	
7	AG513679	-	HOSE-1.00 EVA,TRANSLUCENT [BULK: 4.084 FT]	
8	AG516403	4	NUT 0.31-18NC HEX ESNA SS	
9	AG516405	2	TEE,PIPE,1.00FNPT,PP	
10	AG518292	2	BOLT-U .31-18X2.00X 2.69 RD SS	
11	AG561229	2	CLAMP 0.68-1.25 HOSE 12HS	
12	AG562050	1	WASHER LK 0.37 SS REG	
13	AG562065	1	NUT 0.37-16NC HEX SS REG	
14	AG562073	1	WASHER FL 0.37 SS REG	
15	AG562074	4	WASHER FL 0.31 SS REG	
16	AG609084	1	BOLT 0.37-16NCX 1.00 CRG SS409	

WWW.ROLTRONIK.PL

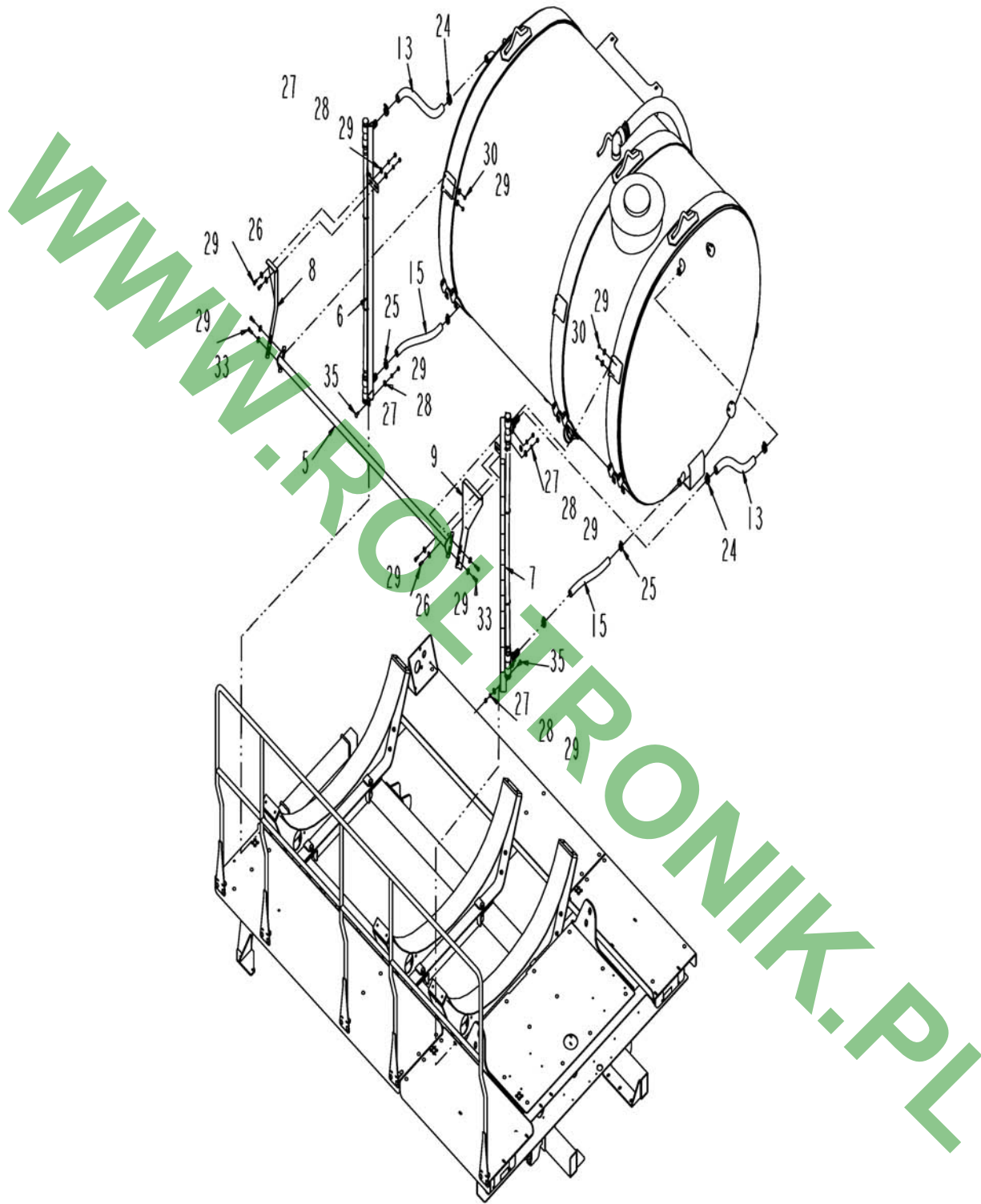


ITEM	PART #	QTY	DESCRIPTION	COMMENTS
1	AG051059	4	BARB-HOSE,1.00MNPTX1.00BARB,PP	
2	AG051135	2	PLUG-PIPE,HEX,1.00NPT,PP	
3	AG128264	1	BRKT-MTG,HORZ,SIGHT GAUGE,RC	
4	AG128268	1	SIGHT GAUGE WLDMT-1080GL	
5	AG129187	AR	PIPE SEALANT-POLY SEAL	
6	AG134025	2	DECAL-1080 GL	
7	AG513679	-	HOSE-1.00 EVA,TRANSLUCENT [BULK: 3.917 FT]	
8	AG516403	4	NUT 0.31-18NC HEX ESNA SS	
9	AG516405	2	TEE,PIPE,1.00FNPT,PP	
10	AG518292	2	BOLT-U .31-18X2.00X 2.69 RD SS	
11	AG561229	2	CLAMP 0.68-1.25 HOSE 12HS	
12	AG562050	1	WASHER LK 0.37 SS REG	
13	AG562065	1	NUT 0.37-16NC HEX SS REG	
14	AG562073	1	WASHER FL 0.37 SS REG	
15	AG562074	4	WASHER FL 0.31 SS REG	
16	AG609084	1	BOLT 0.37-16NCX 1.00 CRG SS409	

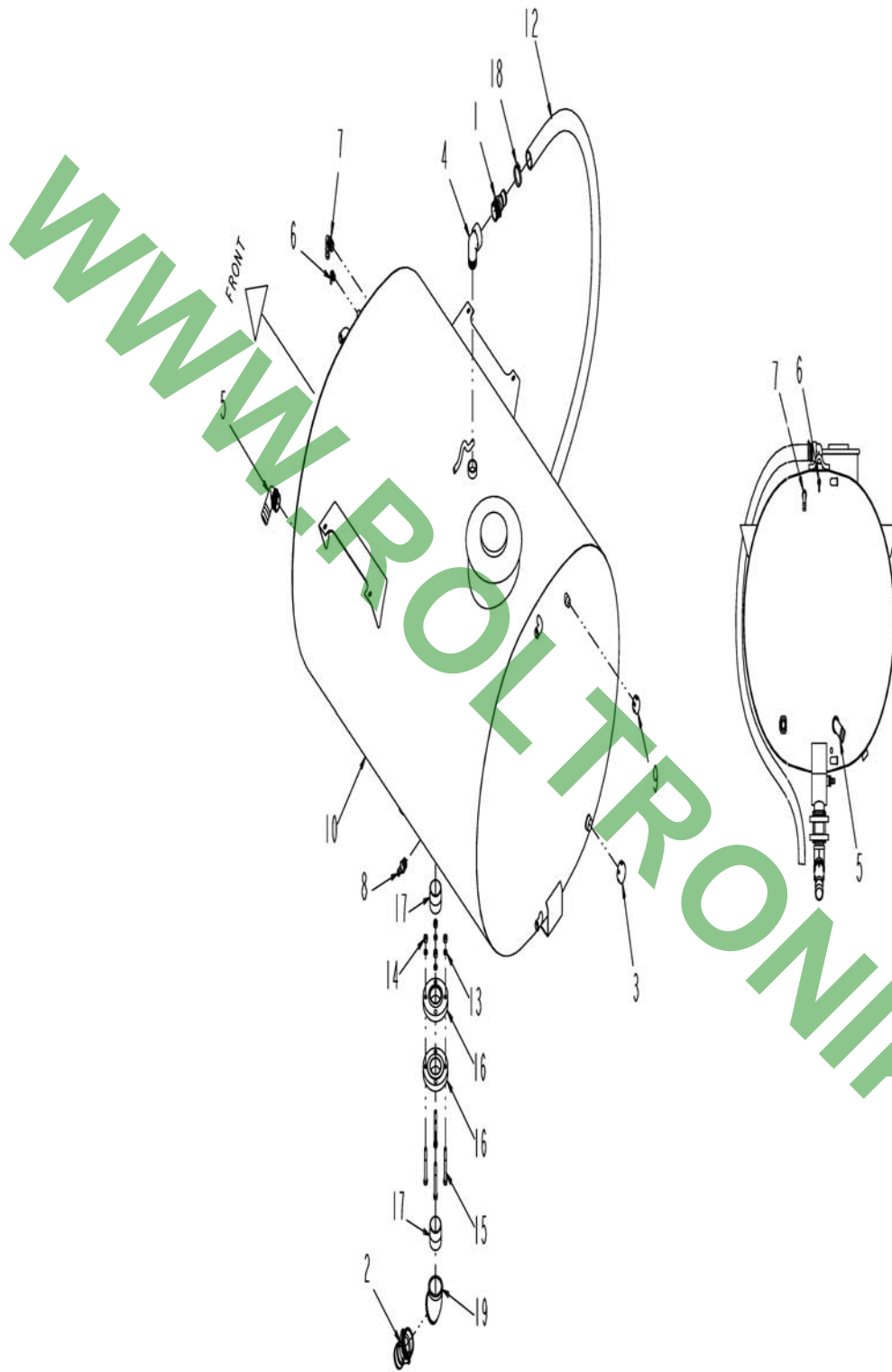
WWW.ROLTRONIK.PL



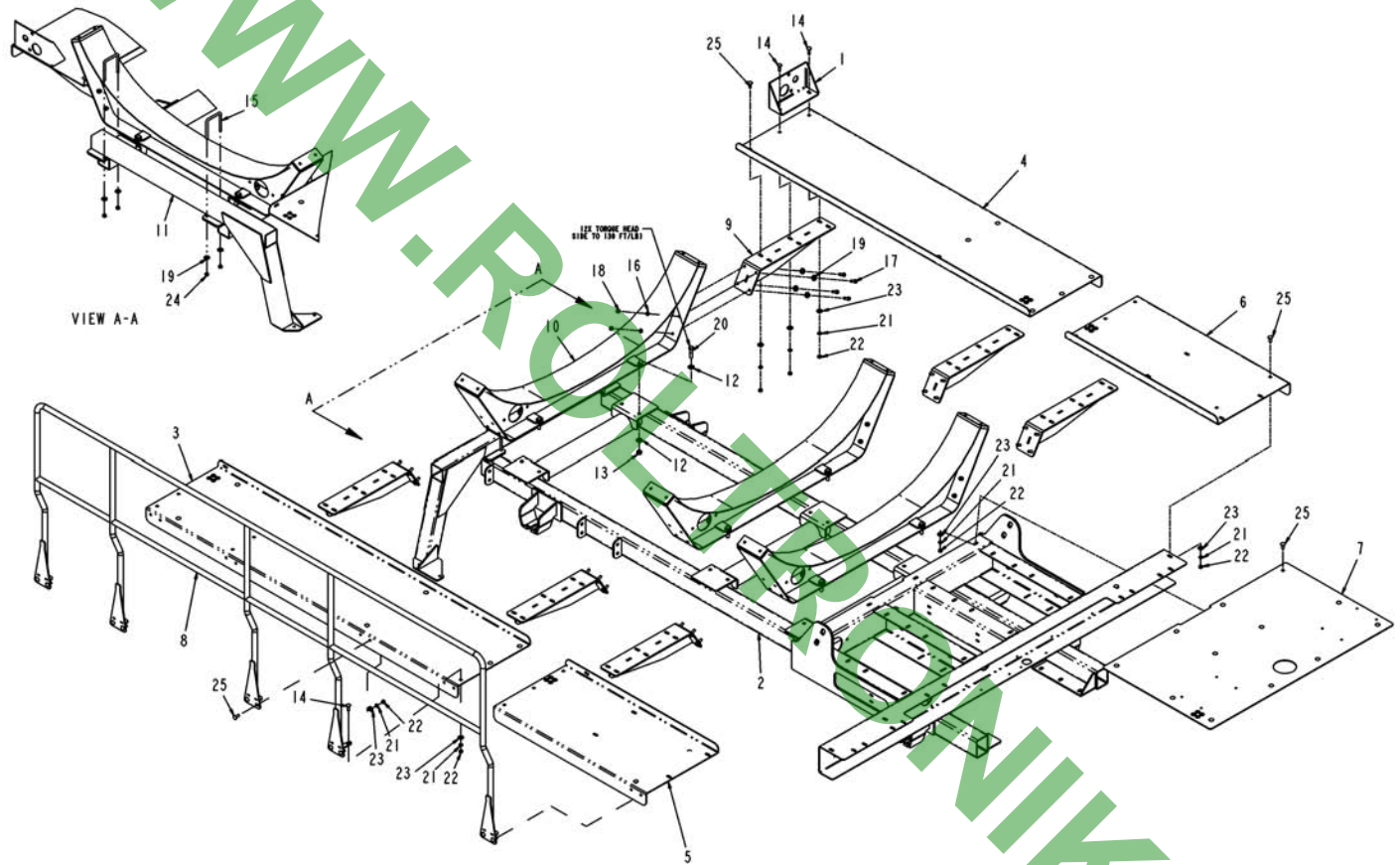
ITEM	PART #	QTY	DESCRIPTION	COMMENTS
1	AG121042	1	PLATE-STOP,TANK,PRODUCT	
2	AG127821	1	TANK ASM-860GL	SEE PAGE 1-17
3	AG127824	3	STRAP WLDMT-TANK,860GL	
4	AG127834	1	SADDLE ASM-860GL	SEE PAGE 1-18
5	AG127882	1	RETAINER WLDMT-HOSE,TANK	
6	AG128490	1	SIGHT GAUGE ASM-FRT,860GL	SEE PAGE 1-19
7	AG128491	1	SIGHT GAUGE ASM-REAR,860GL	SEE PAGE 1-20
8	AG128492	1	BRKT-MTG,FRT,SIGHT GAUGE,860	
9	AG128493	1	BRKT-MTG,REAR,SIGHT GAUGE,860	
10	AG262426	3	MATTING-RUBBER,TANK STRAP	
11	AG262427	3	MATTING-RUBBER,SADDLE SUPPORT	
12	AG424494	1	TANK INSTL-RINSE, TOP	SEE PAGE 11-3
13	AG511528	-	HOSE 1.00 2BRD EPDM [BULK: 3.500 FT]	
14	AG512346	-	3M 1300 YELLOW ADHESIVE (GAL) [BULK: 0.001 GA]	[A]
15	AG513679	-	HOSE-1.00 EVA,TRANSLUCENT [BULK: 3.250 FT]	
16	AG514559	24	WASHER 0.37 FL ZN SAE G8	
17	AG515121	8	WASHER 0.25 FL SS REG	
18	AG515122	8	WASHER LK 0.25 SS REG	
19	AG516567	1	LAMP CLUSTER REAR RH	SEE PAGE 6-4
20	AG516568	1	LAMP CLUSTER REAR LH	SEE PAGE 6-5
21	AG523935	2	BOLT-U, 38-16X3.12X4.00,GRS,ZP	
22	AG551007	4	WASHER FL 0.37 ZN REG TYPE-B	
23	AG553557	AR	TIE CABLE 7.37 .06-1.37 BLACK	
24	AG561213	4	CLAMP 0.81-1.50 HOSE 16HS	
25	AG561229	4	CLAMP 0.68-1.25 HOSE 12HS	
26	AG562048	4	BOLT 0.37-16NCX 1.00 S.S. HHD	
27	AG562050	6	WASHER LK 0.37 SS REG	
28	AG562065	6	NUT 0.37-16NC HEX SS REG	
29	AG562073	18	WASHER FL 0.37 SS REG	
30	AG562123	4	NUT 0.37-16NC HEX SSC-LK	
31	AG562793	8	NUT HEX M6 X 1.00	
32	AG601411	16	NUT 0.37-16NC HEX ZN REG LK NY	
33	AG604167	4	BOLT 0.37-16NCX 1.25 S.S. HHD	
34	AG606683	12	BOLT 0.37-16NCX 5.00 G8 ZN HHD	
35	AG609084	2	BOLT 0.37-16NCX 1.00 CRG SS409	
	FOOTNOTE [A]		AG717696 RUBBER ADHESIVE IN PINTS	



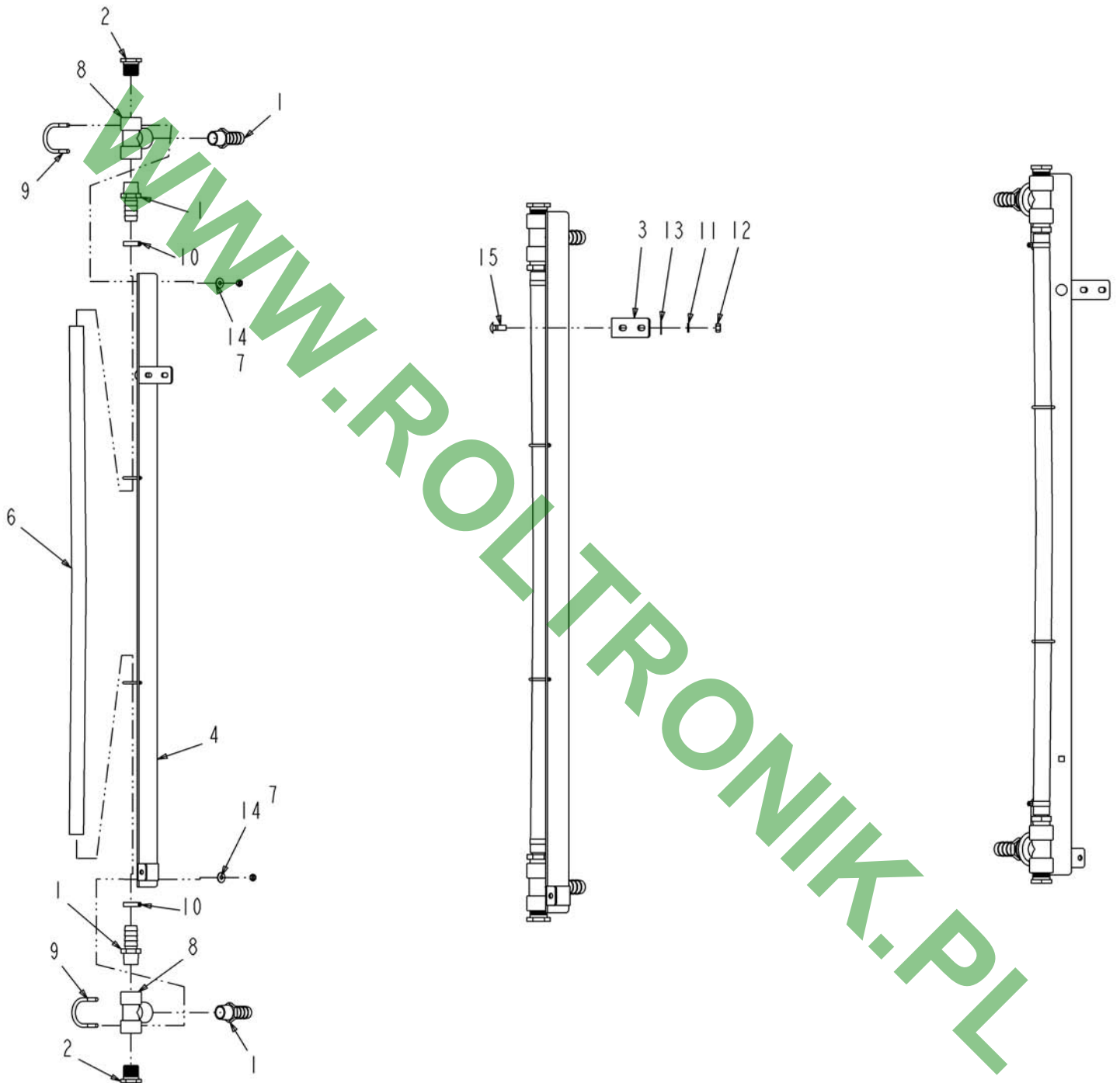
ITEM	PART #	QTY	DESCRIPTION	COMMENTS
1	AG121042	1	PLATE-STOP,TANK,PRODUCT	
2	AG127821	1	TANK ASM-860GL	SEE PAGE 1-17
3	AG127824	3	STRAP WLDMT-TANK,860GL	
4	AG127834	1	SADDLE ASM-860GL	SEE PAGE 1-18
5	AG127882	1	RETAINER WLDMT-HOSE,TANK	
6	AG128490	1	SIGHT GAUGE ASM-FRT,860GL	SEE PAGE 1-19
7	AG128491	1	SIGHT GAUGE ASM-REAR,860GL	SEE PAGE 1-20
8	AG128492	1	BRKT-MTG,FRT,SIGHT GAUGE,860	
9	AG128493	1	BRKT-MTG,REAR,SIGHT GAUGE,860	
10	AG262426	3	MATTING-RUBBER,TANK STRAP	
11	AG262427	3	MATTING-RUBBER,SADDLE SUPPORT	
12	AG424494	1	TANK INSTL-RINSE, TOP	SEE PAGE 11-3
13	AG511528	-	HOSE 1.00 2BRD EPDM [BULK: 3.500 FT]	
14	AG512346	-	3M 1300 YELLOW ADHESIVE (GAL) [BULK: 0.001 GA]	[A]
15	AG513679	-	HOSE-1.00 EVA,TRANSLUCENT [BULK: 3.250 FT]	
16	AG514559	24	WASHER 0.37 FL ZN SAE G8	
17	AG515121	8	WASHER 0.25 FL SS REG	
18	AG515122	8	WASHER LK 0.25 SS REG	
19	AG516567	1	LAMP CLUSTER REAR RH	SEE PAGE 6-4
20	AG516568	1	LAMP CLUSTER REAR LH	SEE PAGE 6-5
21	AG523935	2	BOLT-U, 38-16X3.12X4.00,GRS,ZP	
22	AG551007	4	WASHER FL 0.37 ZN REG TYPE-B	
23	AG553557	AR	TIE CABLE 7.37 .06-1.37 BLACK	
24	AG561213	4	CLAMP 0.81-1.50 HOSE 16HS	
25	AG561229	4	CLAMP 0.68-1.25 HOSE 12HS	
26	AG562048	4	BOLT 0.37-16NCX 1.00 S.S. HHD	
27	AG562050	6	WASHER LK 0.37 SS REG	
28	AG562065	6	NUT 0.37-16NC HEX SS REG	
29	AG562073	18	WASHER FL 0.37 SS REG	
30	AG562123	4	NUT 0.37-16NC HEX SSC-LK	
31	AG562793	8	NUT HEX M6 X 1.00	
32	AG601411	16	NUT 0.37-16NC HEX ZN REG LK NY	
33	AG604167	4	BOLT 0.37-16NCX 1.25 S.S. HHD	
34	AG606683	12	BOLT 0.37-16NCX 5.00 G8 ZN HHD	
35	AG609084	2	BOLT 0.37-16NCX 1.00 CRG SS409	
	FOOTNOTE [A]		AG717696 RUBBER ADHESIVE IN PINTS	



ITEM	PART #	QTY	DESCRIPTION	COMMENTS
1	AG000767	1	BARB-HOSE,2.00MNPTX2.00BARB,PP	
2	AG000768	1	BARB-HOSE,3.00MNPTX3.00BARB,PP	
3	AG050269	1	CAP-PIPE,1.50NPT PP	
4	AG050689	1	ELBOW-PIPE,2.00STREET,90D,PP	
5	AG050692	1	ELBOW 90D 2.00NPTX2.00 BARB PP	
6	AG051138	1	ELBOW 90D 0.50NPTX0.38BARB PP	
7	AG051145	1	ELBOW 90D 1.00NPTX1.00 BARB PP	
8	AG051182	1	BARB-HOSE,1.00MNPTX0.75BARB,PP	
9	AG051536	1	CAP-PIPE,1.00NPT PP	
10	AG127818	1	TANK-860GL,SS	
11	AG129187	AR	PIPE SEALANT-POLY SEAL	
12	AG511722	-	HOSE-2.00,WIRE BRAID,EPDM [BULK: 9.334 FT]	
13	AG550450	4	WASHER 0.62 LK ZN REG	
14	AG550477	4	NUT 0.62-11NC HEX ZN REG	
15	AG552046	4	BOLT.62-11NCX4.50G5 ZN HHD	
16	AG553026	2	FLANGE COMP 3.0NPTX7.5 4H	[A]
17	AG560931	2	NIPPLE 3.00NPTX 2.62PIPE 304SS	
18	AG561233	1	CLAMP-HOSE,1.81X2.75,36HS	
19	AG711986	1	ELBOW 45D 3.00 IN 304SS	
	FOOTNOTE [A]		4 BOLT HOLES	

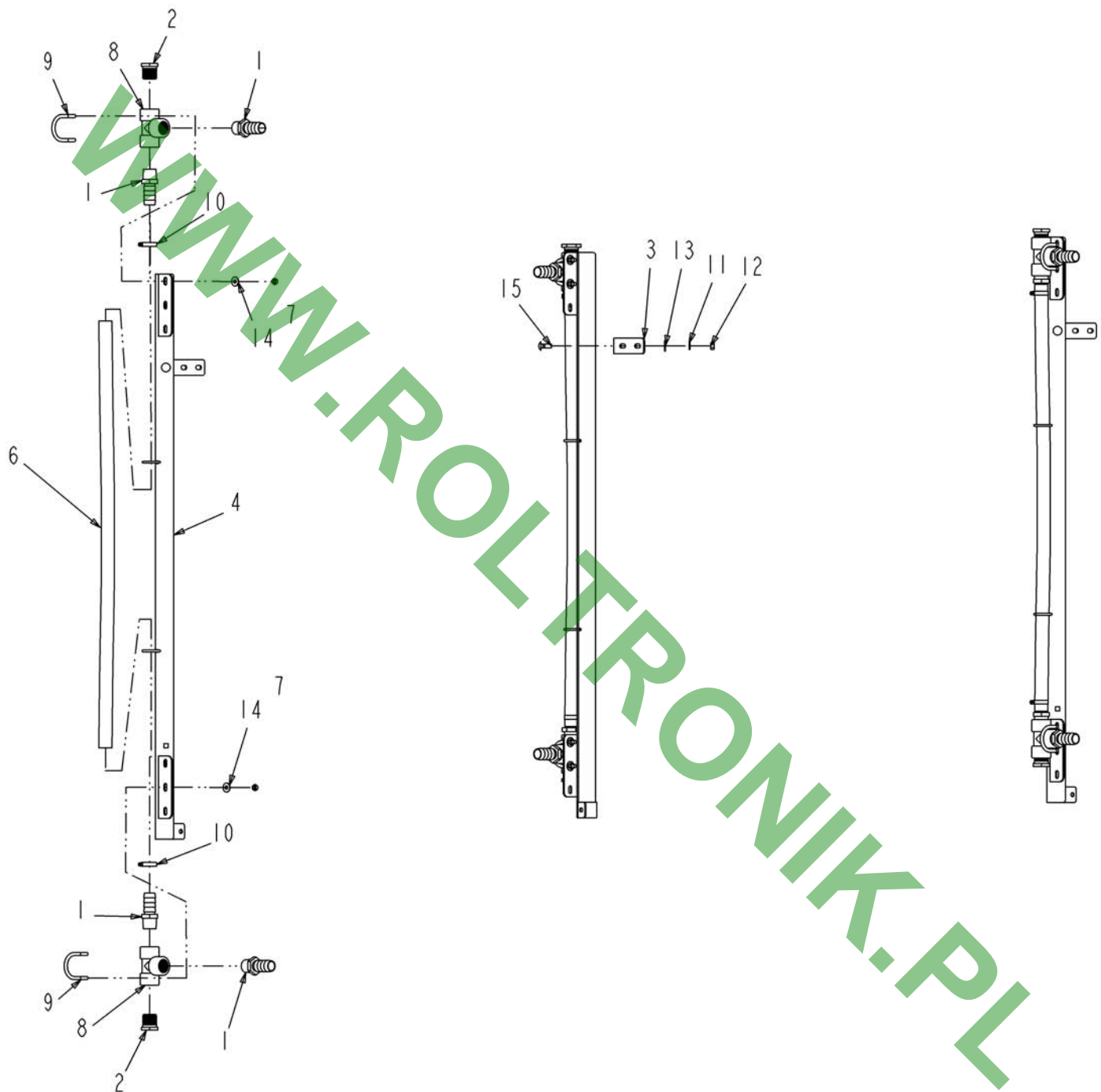


ITEM	PART #	QTY	DESCRIPTION	COMMENTS
1	AG122038	1	BRKT-MTG,PWM VALVE,LIQ SYS	
2	AG123805	1	SADDLE WLDMT-LONG TIEDOWN PAT	
3	AG127825	1	CATWALK-LH,FRONT	
4	AG127826	1	CATWALK-RH,FRONT	
5	AG127829	1	CATWALK-LG,REAR,860	
6	AG127830	1	CATWALK-RH,REAR,860	
7	AG127831	1	PLATE-CATWALK,CENTER	
8	AG134004	1	HNDRL WLDMT-LIQ SYS,860GL	
9	AG262418	6	GUSSET WLDMT-CATWALK SUPPORT	
10	AG424381	3	SUPPORT WLDMT-TANK	
11	AG424387	1	SUPPORT WLDMT-PUMP	
12	AG514554	24	WASHER-FL,.50,ZN,G8,REG	
13	AG520614	12	NUT-.50-13,G8,ZN,HH,C-LK	
14	AG522571	4	BOLT-.38-16X1.25,SS,CRG	
15	AG522572	1	BOLT-.38-16X1.50,SS,CRG	
16	AG523935	2	BOLT-U,.38-16X3.12X4.00,GRS,ZP	
17	AG550191	24	WASHER LK 0.37 ZN REG	
18	AG550515	24	BOLT 0.37-16NCX 1.25 G5 ZN HDD	
19	AG550825	24	NUT 0.37-16NC HEX ZN REG	
20	AG551007	28	WASHER FL 0.37 ZN REG TYPE-B	
21	AG561665	12	BOLT 0.50-13NCX 2.00 G8 ZN HDD	
22	AG562050	50	WASHER LK 0.37 SS REG	
23	AG562065	50	NUT 0.37-16NC HEX SS REG	
24	AG562073	50	WASHER FL 0.37 SS REG	
25	AG601411	4	NUT 0.37-16NC HEX ZN REG LK NY	
26	AG609084	45	BOLT 0.37-16NCX 1.00 CRG SS409	



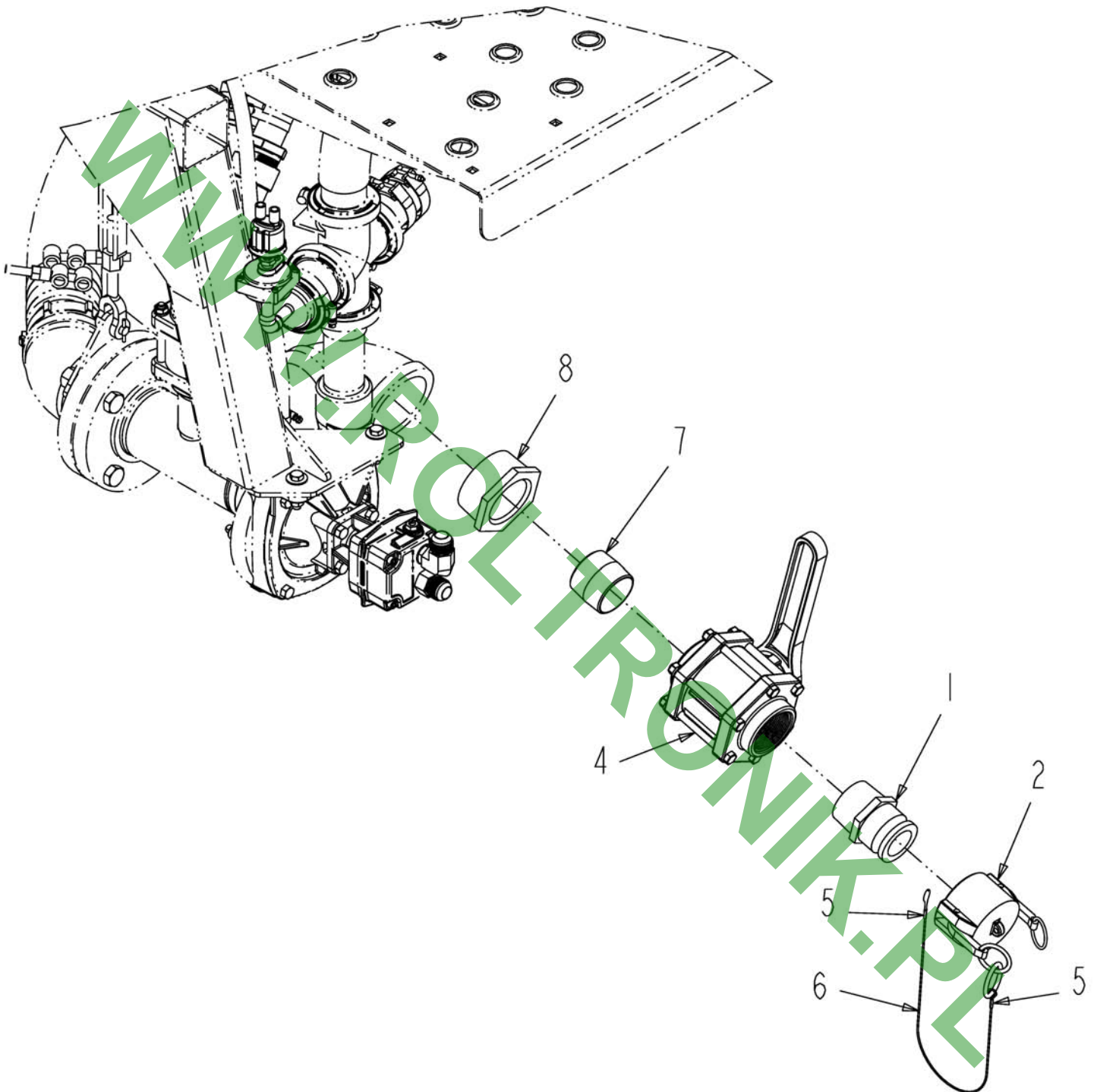
ITEM	PART #	QTY	DESCRIPTION	COMMENTS
1	AG051059	4	BARB-HOSE,1.00MNPTX1.00BARB,PP	
2	AG051135	2	PLUG-PIPE,HEX,1.00NPT,PP	
3	AG128264	1	BRKT-MTG,HORZ,SIGHT GAUGE,RC	
4	AG128495	1	SIGHT GAUGE WLDMT,FRT,860GL	
5	AG129187	AR	PIPE SEALANT-POLY SEAL	
6	AG134026	2	DECAL-865 GL	
7	AG513679	-	HOSE-1.00 EVA,TRANSLUCENT [BULK: 3.834 FT]	
8	AG516403	4	NUT 0.31-18NC HEX ESNA SS	
9	AG516405	2	TEE,PIPE,1.00FNPT,PP	
10	AG518292	2	BOLT-U .31-18X2.00X 2.69 RD SS	
11	AG561229	2	CLAMP 0.68-1.25 HOSE 12HS	
12	AG562050	1	WASHER LK 0.37 SS REG	
13	AG562065	1	NUT 0.37-16NC HEX SS REG	
14	AG562073	1	WASHER FL 0.37 SS REG	
15	AG562074	4	WASHER FL 0.31 SS REG	
16	AG609084	1	BOLT 0.37-16NCX 1.00 CRG SS409	

WWW.ROLTRONIK.PL



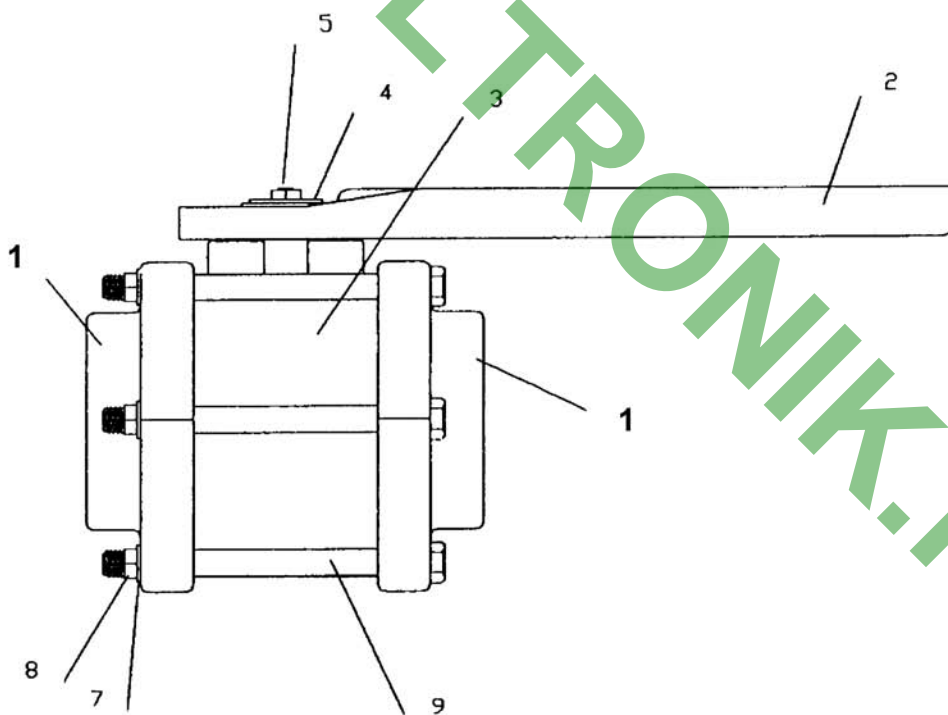
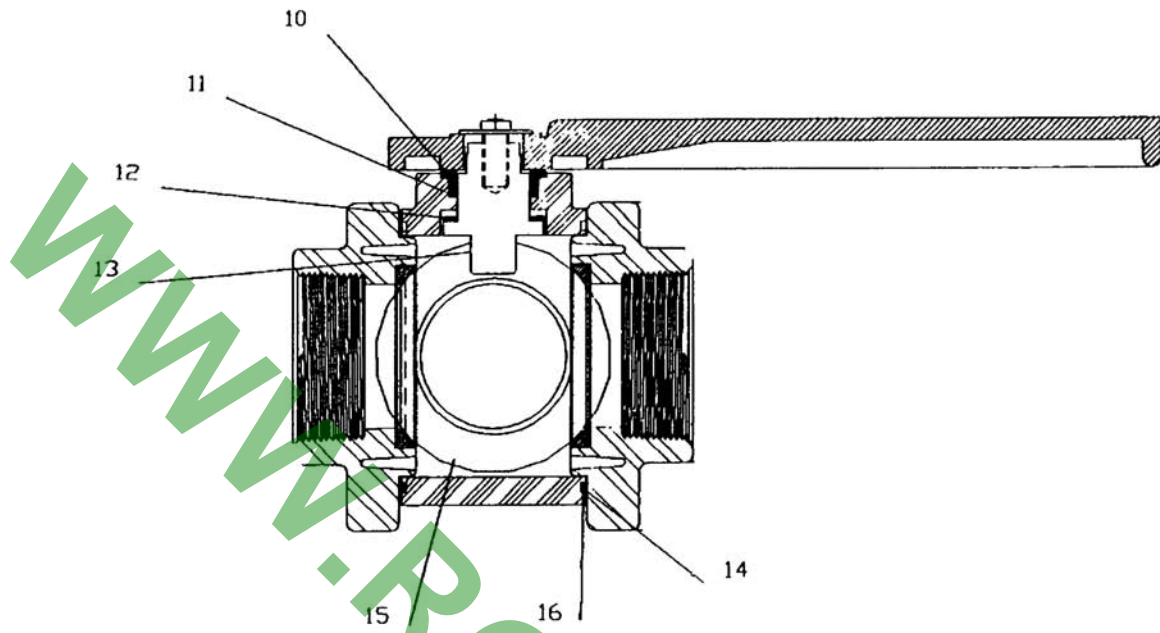
ITEM	PART #	QTY	DESCRIPTION	COMMENTS
1	AG051059	4	BARB-HOSE,1.00MNPTX1.00BARB,PP	
2	AG051135	2	PLUG-PIPE,HEX,1.00NPT,PP	
3	AG128264	1	BRKT-MTG,HORZ,SIGHT GAUGE,RC	
4	AG128510	1	SIGHT GAUGE WLDMT,REAR,860GL	
5	AG129187	AR	PIPE SEALANT-POLY SEAL	
6	AG134026	2	DECAL-865 GL	
7	AG513679	-	HOSE-1.00 EVA,TRANSLUCENT [BULK: 3.417 FT]	
8	AG516403	4	NUT 0.31-18NC HEX ESNA SS	
9	AG516405	2	TEE,PIPE,1.00FNPT,PP	
10	AG518292	2	BOLT-U .31-18X2.00X 2.69 RD SS	
11	AG561229	2	CLAMP 0.68-1.25 HOSE 12HS	
12	AG562050	1	WASHER LK 0.37 SS REG	
13	AG562065	1	NUT 0.37-16NC HEX SS REG	
14	AG562073	1	WASHER FL 0.37 SS REG	
15	AG562074	4	WASHER FL 0.31 SS REG	
16	AG609084	1	BOLT 0.37-16NCX 1.00 CRG SS409	

WWW.ROLTRONIK.PL



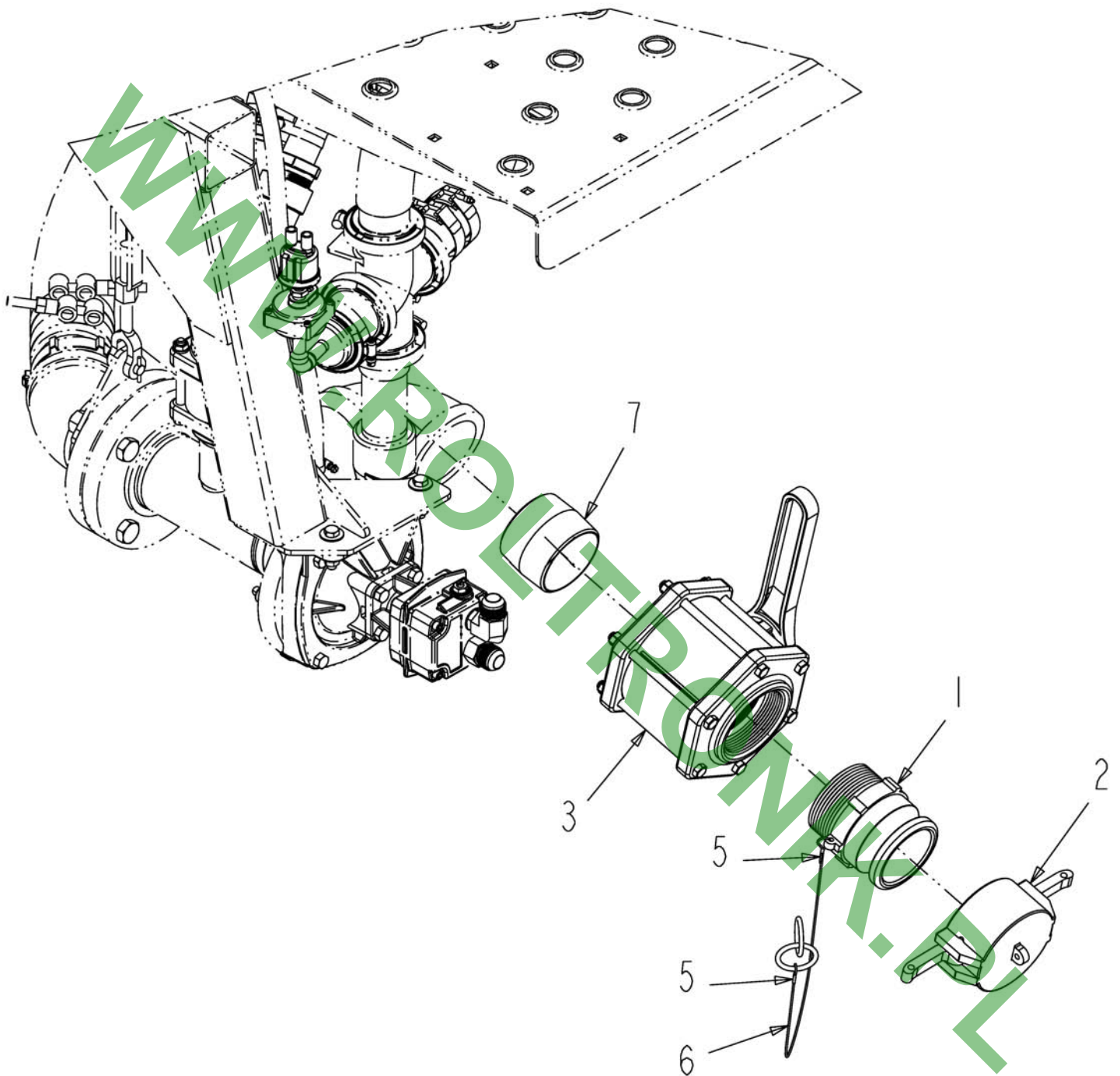
ITEM	PART #	QTY	DESCRIPTION	COMMENTS
1	AG000823	1	ADAP 2.00 POLY	
2	AG000829	1	CAP-LEVER, QC, 2.00 PP	
3	AG129187	AR	PIPE SEALANT-POLY SEAL	
4	AG513859	1	VLV BALL 2.00 POLY FF	SEE PAGE 1-22
5	AG515981	2	COMPRESSION SLEEVE	
6	AG516060	-	CABLE NYLON COATED [BULK: 2.000 FT]	[A]
7	AG552305	1	NIPPLE 2.0NPTX2CLS WR STL	
8	AG554766	1	BUSHG 3.00X 2.00NPT HX REDG ML	
	FOOTNOTE [A]		AG515981 COMPRESSION SLEEVES TO CLAMP ENDS TO FORM LOOPS	

WWW.ROLTRONIK.PL



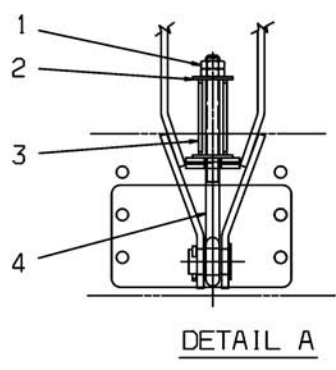
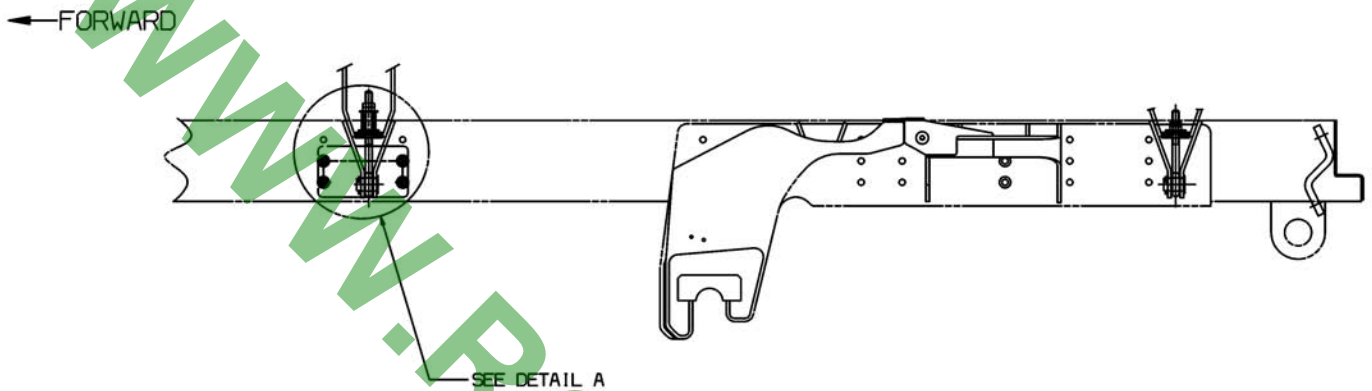
ITEM	PART #	QTY	DESCRIPTION	COMMENTS
1	AG006582	1	END PLATE 2.00 FP	
2	AG000796	1	HANDLE 2&3	
3	AG007578	1	BODY	
7	AG054234	6	BODY LOCKWASHER 3/8	
8	AG054235	6	BODY NUT 3/8-16SS	
9	AG053860	6	BOLT SS BODY 0.37X4.50	
10	AG000801	1	BUSHING UPPER OR LOWER STEM	
11	AG000803	1	O-RING VITON	
12	AG054488	1	THRUST WASHER 3 IN	
14	AG006581	2	BALL SEAT	
15	AG000794	1	VALVE BALL 2.00	[A]
16	AG006578	2	VALVE BODY O-RING VITON	
	FOOTNOTE [A]		REPLACE PART # AG007577	
	FOOTNOTE:		HANDLE AG000796	

WWW.ROLTRONIK.PL



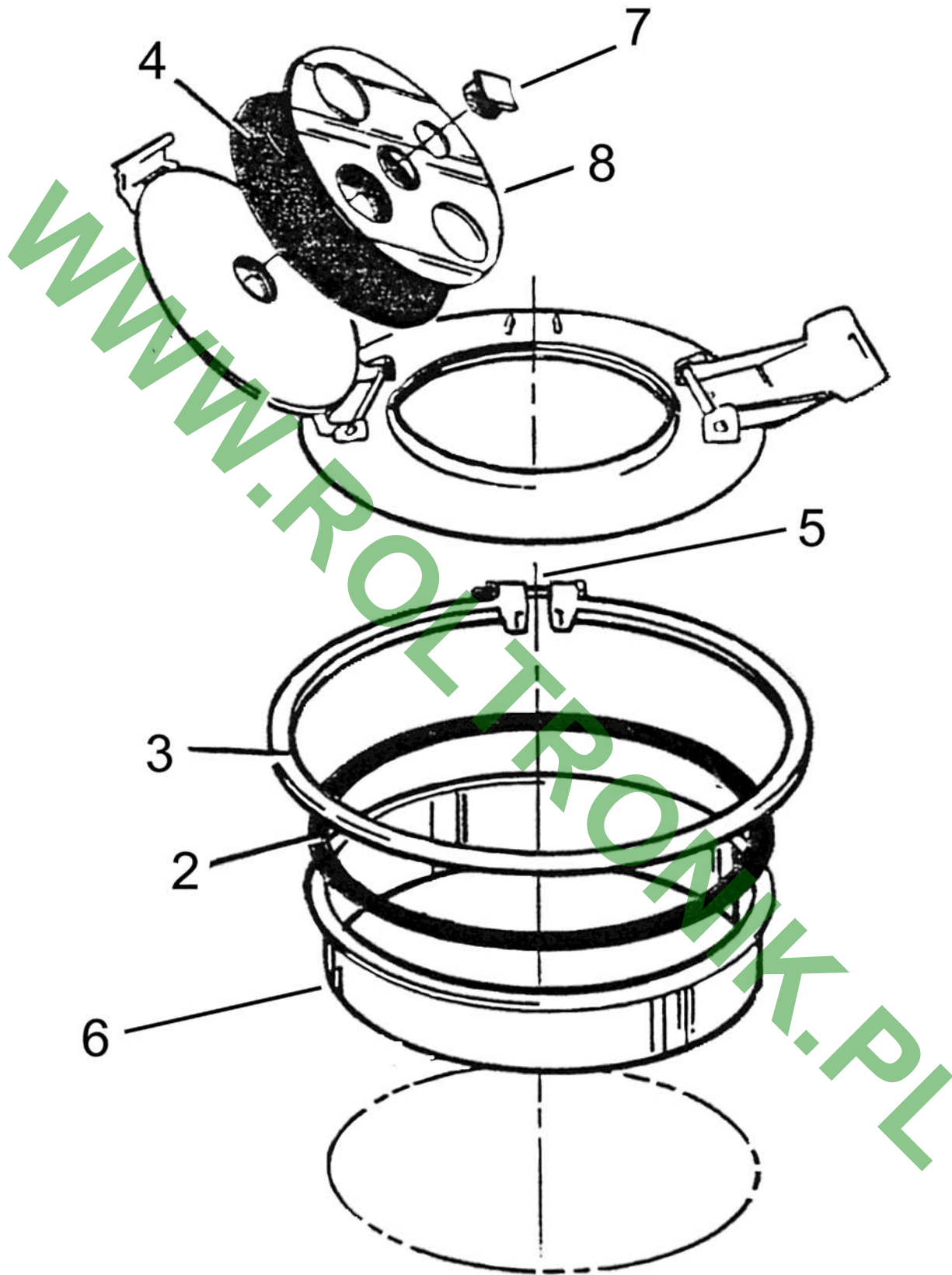
ITEM	PART #	QTY	DESCRIPTION	COMMENTS
1	AG000824	1	ADAP 3.00 POLY	
2	AG000830	1	CAP-LEVER, QC, 3.00 PP	
3	AG005492	1	VLV BALL 3.00 POLY FF	SEE PAGE 2-8
4	AG129187	AR	PIPE SEALANT-POLY SEAL	
5	AG515981	2	COMPRESSION SLEEVE	
6	AG516060	-	CABLE NYLON COATED [BULK: 2.000 FT]	[A]
7	AG552550	1	NIPPLE 3.00NPTX 2.62CLS ST BK	
	FOOTNOTE [A]		AG515981 COMPRESSION SLEEVES TO CLAMP ENDS TO FORM LOOPS	

WWW.ROLTRONIK.PL

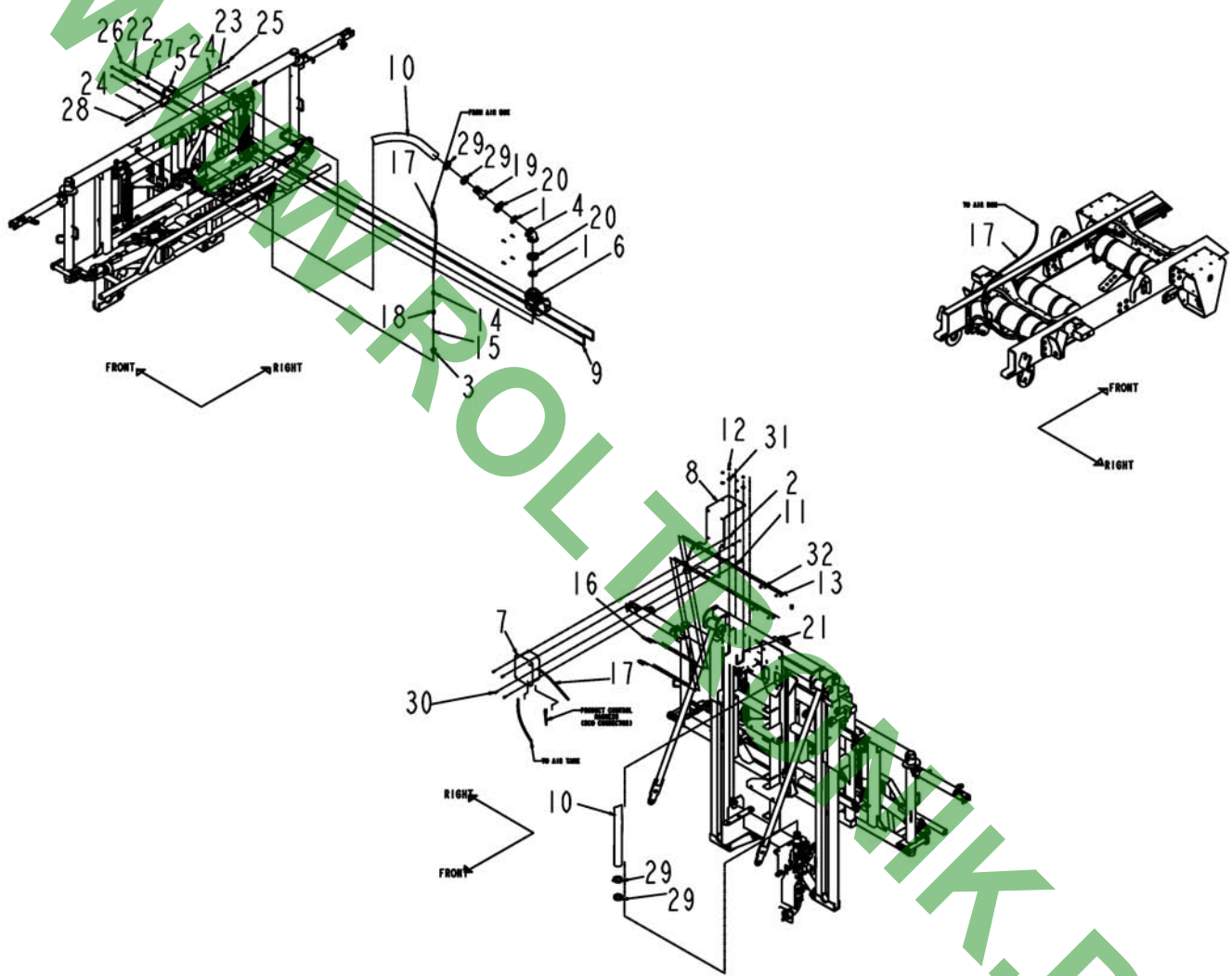


ITEM	PART #	QTY	DESCRIPTION	COMMENTS
1	AG515210	4	NUT 0.75-10NC HEX GALV JAM OSZ	
2	AG561262	4	WASHER 0.87 FL ZN REG TYPE-B	
3	AG523417	2	SPRING-COMP,1.75DX.283WDX5.00L	
4	AG216853	2	BOLT EYE .75-10NC-2AX12	

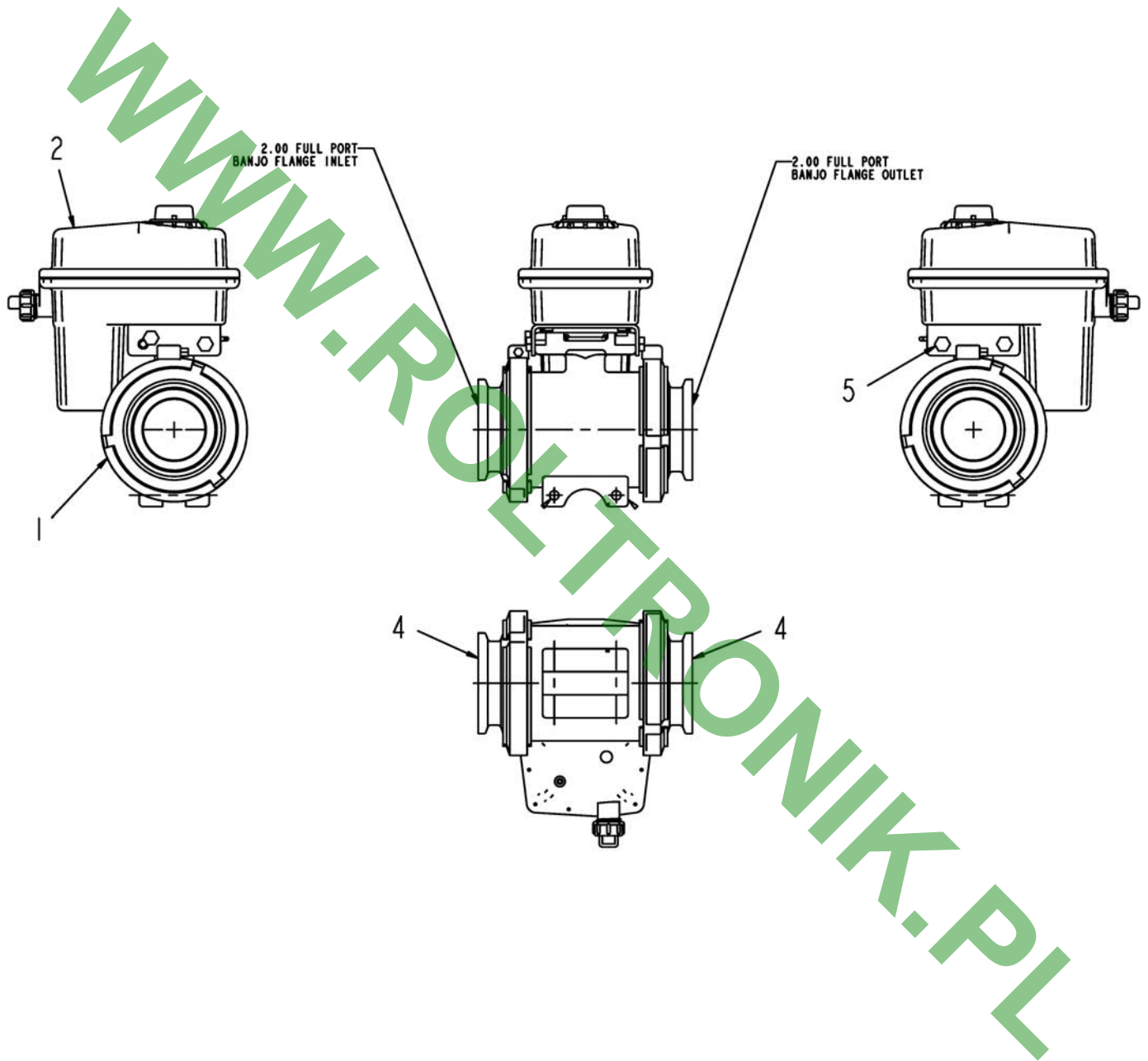
WWW.ROLTRONIK.PL



ITEM	PART #	QTY	DESCRIPTION	COMMENTS
2	AG703081	1	GASKET BUNA (USED ON 703036	[A]
3	AG703084	1	RING CLAMPING 16 IN PLAIN STEEL	[B]
4	AG002309	1	KIT GASKET 10 IN	
5	AG850263	1	BOLT 3/8X5 IN FULL THREAD T.P.	
6	AG703083	1	NECK FILL WELL 54042 (703036)	[C]
7	AG007505	1	NUT S.S. TANK LID PLUG VENT	
8	AG844769	1	PLATE BOTTOM 026513	
	FOOTNOTE [A]		ROGATOR SS TANK GASKET-UNDER RING ALSO REF. PARTS BULLETIN 00103	
	FOOTNOTE [B]		ALSO REF PARTS BULLETIN 00103.	
	FOOTNOTE [C]		ALSO REF PARTS BULLETIN 00103.	
	FOOTNOTE:		AG703081 CLAMP RING GASKET, AG026643 STAINLESS STEEL CLAMP RING	
	FOOTNOTE:		AG703084 PLAIN STEEL CLAMP RING, AG002309 10 LID GASKET	
	FOOTNOTE:		AG850263 BOLT ON CLAMP RING, AG703083 WELD RING	
	FOOTNOTE:		AG007505 VENT PLUG ON 10 LID	
	FOOTNOTE:		AG844769 INNER PLATE ON 10 LID ALSO REF. PARTS BULLETIN 00103	
	FOOTNOTE:		AG709046 INNER LID PLATE	

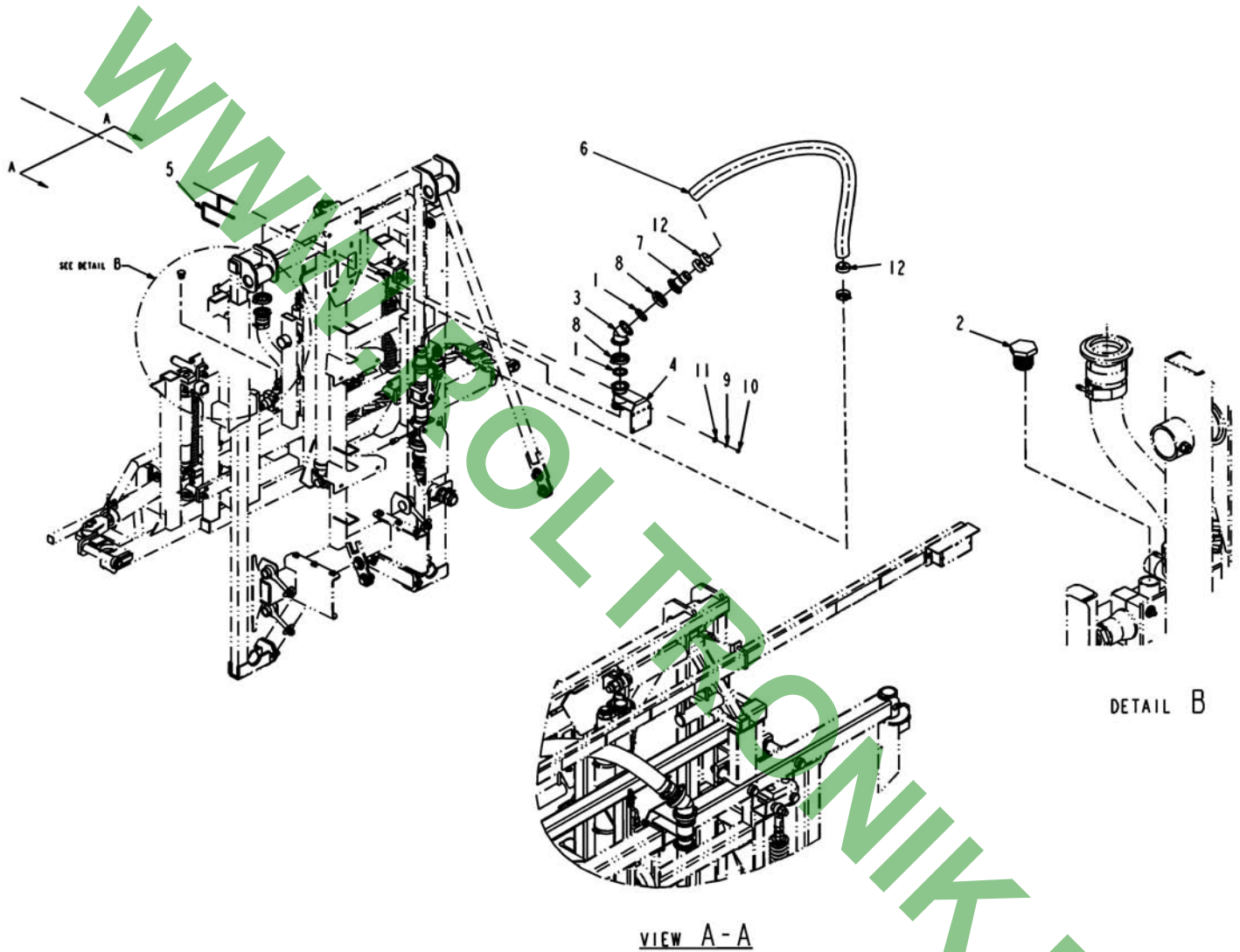


ITEM	PART #	QTY	DESCRIPTION	COMMENTS
1	AG000773	2	GASKET 2.00 EPDM	
2	AG027275	4	NUT,NY-LOCK 1/4-20 SS HX (P)	
3	AG051573	1	BSHG-RDCR,HEX,0.75X0.25NPT,PP	
4	AG059565	1	ELBOW 2.00FP FLANGE 45D	
5	AG121951	1	BRKT WLDMT-MTG,2.00 VALVE	
6	AG121956	1	VALVE-BALL,2.00FP FLG,ELEC	SEE PAGE 2-2
7	AG122562	1	BOX ASM-AIR,BOOM CLEAN OUT	SEE PAGE 8-1
8	AG122611	1	BRKT-MTG,AIR BOX, BCO/HV	
9	AG230314	2	U-BOLT 3.00 X 4.0 SQ	[A]
10	AG511722	-	HOSE-2.00,WIRE BRAID,EPDM [BULK: 73.000 FT]	
11	AG515121	8	WASHER 0.25 FL SS REG	
12	AG515140	4	NUT 0.37-16NC SS HVY HX NY INS	
13	AG516403	4	NUT 0.31-18NC HEX ESNA SS	
14	AG516481	1	CONNECTOR M 0.38X0.25NPT AUTLK	
15	AG517999	1	VALVE CHECK 0.25NPTF 3000PSI	
16	AG518292	2	BOLT-U .31-18X2.00X 2.69 RD SS	
17	AG518847	-	TUBING H.D.P.E. 3/8 IN [BULK: 21.000 FT]	
18	AG519336	1	COUPLING PIPE 0.25 NPT 304SS	
19	AG522894	1	CONN-2.00 FLG X2.00 HOSE BARB	
20	AG522895	2	CLAMP-WORM SCREW,2.00,SS	
21	AG524292	2	BOLT-U, 3/8-16,2.56X3.50,SQ,SS	
22	AG550191	4	WASHER LK 0.37 ZN REG	
23	AG550493	2	WASHER LK 0.25 ZN REG	
24	AG550507	4	WASHER FL 0.25 ZN REG TYPE-B	
25	AG550612	2	NUT 0.25-20NC HEX ZN REG	
26	AG550825	4	NUT 0.37-16NC HEX ZN REG	
27	AG551007	4	WASHER FL 0.37 ZN REG TYPE-B	
28	AG561246	2	BOLT 0.25-20NCX 3.25 G5 ZN HHD	
29	AG561630	4	CLAMP 2.28-2.59HOSE VOSS-250SS	
30	AG562064	4	BOLT 0.25-20NCX 1.00 S.S. HHD	[B]
31	AG562073	4	WASHER FL 0.37 SS REG	
32	AG562074	4	WASHER FL 0.31 SS REG	
	FOOTNOTE [A]		0.38 THREAD	
	FOOTNOTE [B]		STAINLESS STEEL	



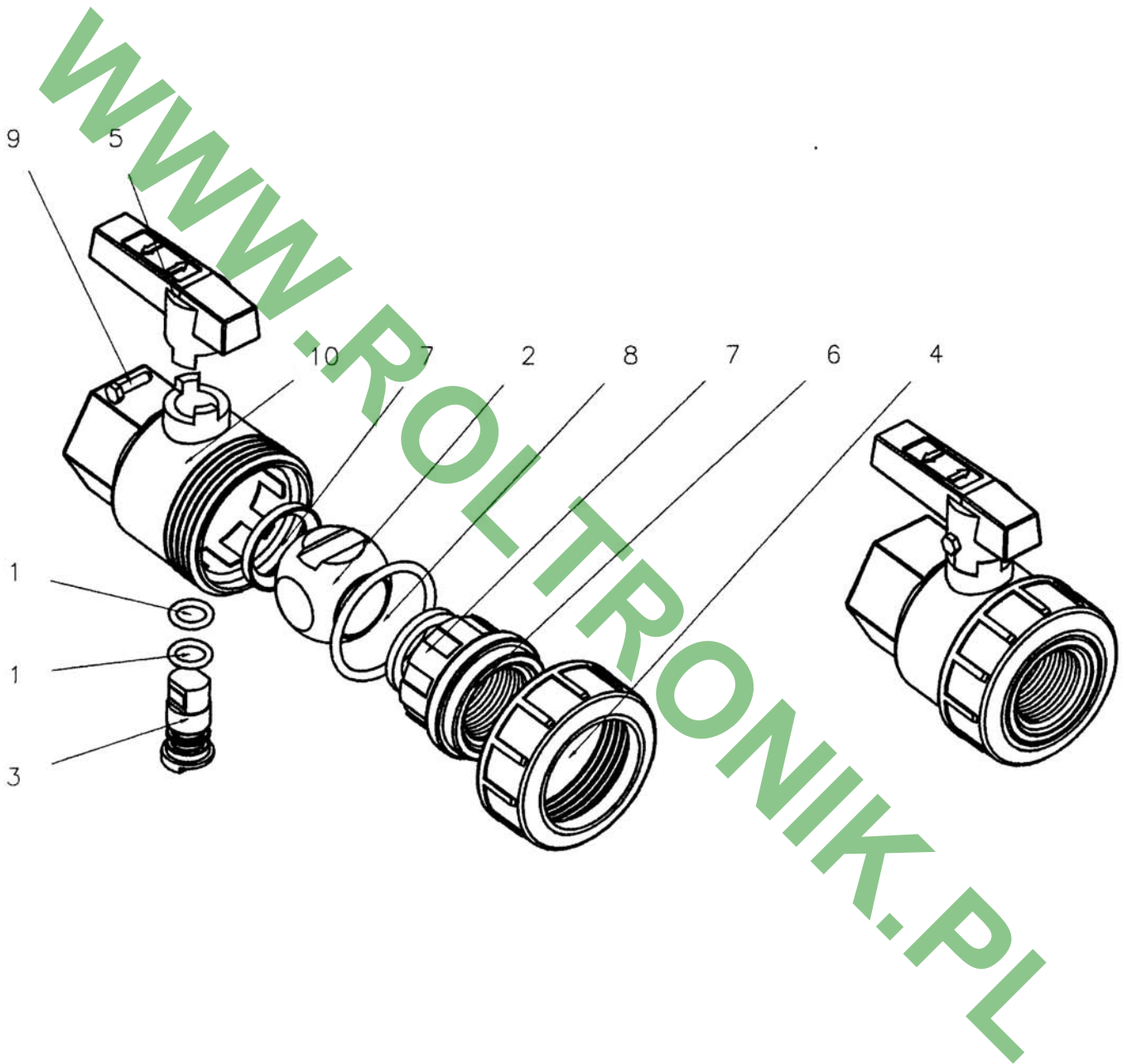
ITEM	PART #	QTY	DESCRIPTION	COMMENTS
1	AG057764	-	CLAMP 3 IN MANIFOLD	
2	AG121959	-	ACTUATOR-000-60-Y-9	[A]
3	AG121960	-	KIT-REPAIR,ORING/SEATS,VLV,2.0	
4	AG121961	-	CAP-END,2.00FP FLG	
5	AG121962	-	BOLT-MTG,ACTUATOR/VALVE,EH2	
	FOOTNOTE [A]		CIRCUIT BOARD IS AG061258	
	FOOTNOTE:		VALVE ONLY IS AG727468	
	FOOTNOTE:		AG057764 -CLAMP 3 IN. MANIFOLD	
	FOOTNOTE:		AG121959 -ACTUATOR	
	FOOTNOTE:		AG121960 -KIT-REPAIR,ORING/SEATS	
	FOOTNOTE:		AG121961 -CAP-END,2.00 FP FLG	
	FOOTNOTE:		AG121962 -BOLT-MTG,ACTUATOR/VALVE	

WWW.ROLTRONIK.PL



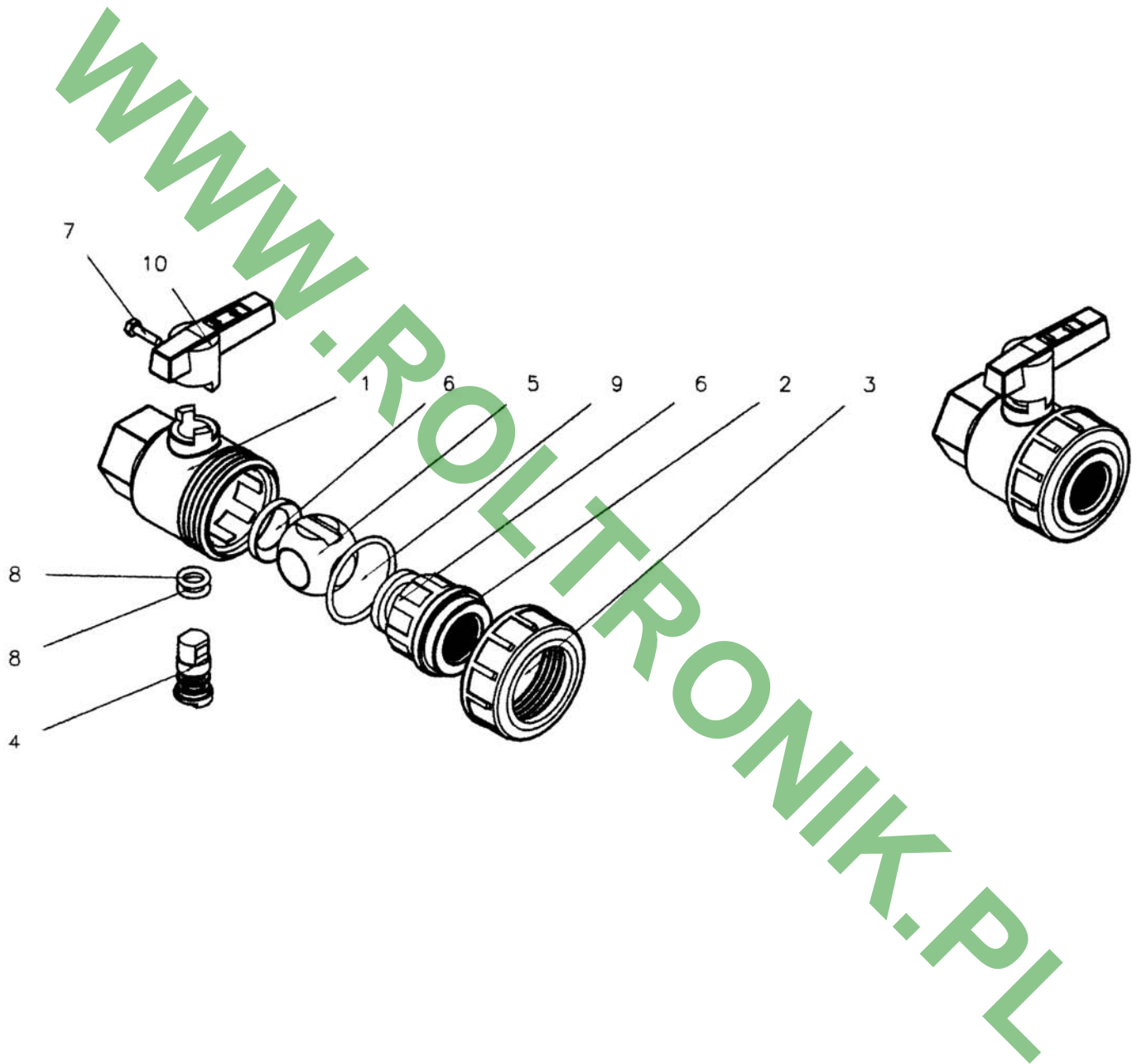
ITEM	PART #	QTY	DESCRIPTION	COMMENTS
1	AG000773	2	GASKET 2.00 EPDM	
2	AG051134	1	PLUG-PIPE,HEX,0.75NPT,PP	
3	AG059565	1	ELBOW 2.00FP FLANGE 45D	
4	AG131680	1	BRKT WLDMT-MTG,2.00X2.00 FLG	SEE PAGE 12-28
5	AG230314	2	U-BOLT 3.00 X 4.0 SQ	[A]
6	AG511722	-	HOSE-2.00,WIRE BRAID,EPDM [BULK: 5.250 FT]	
7	AG522894	1	CONN-2.00 FLG X2.00 HOSE BARB	
8	AG522895	2	CLAMP-WORM SCREW,2.00,SS	
9	AG550191	4	WASHER LK 0.37 ZN REG	
10	AG550825	4	NUT 0.37-16NC HEX ZN REG	
11	AG551007	4	WASHER FL 0.37 ZN REG TYPE-B	
12	AG561630	4	CLAMP 2.28-2.59HOSE VOSS-250SS 0.38 THREAD	
	FOOTNOTE [A]			

WWW.ROLTRONIK.PL



ITEM	PART #	QTY	DESCRIPTION	COMMENTS
1	AG050524	2	O RING UNION STEM 1.00 (EPDM)	
2	AG050526	1	BALL VALVE 1.00 UNION	
3	AG050522	1	STEM 1.00 UNION	
4	AG050521	1	CAP 1.00 IN UNION END	
5	AG050523	1	HANDLE 1.00 UNION	
6	AG050527	1	END PLATE 1.00 UNION	
7	AG050528	2	SEAL 1.00 UNION VALVE	
8	AG050474	1	O RING	
10	AG050525	1	BODY 1.00 UNION VALVE	
	FOOTNOTE:		HANDLE IS PART # AG050523	

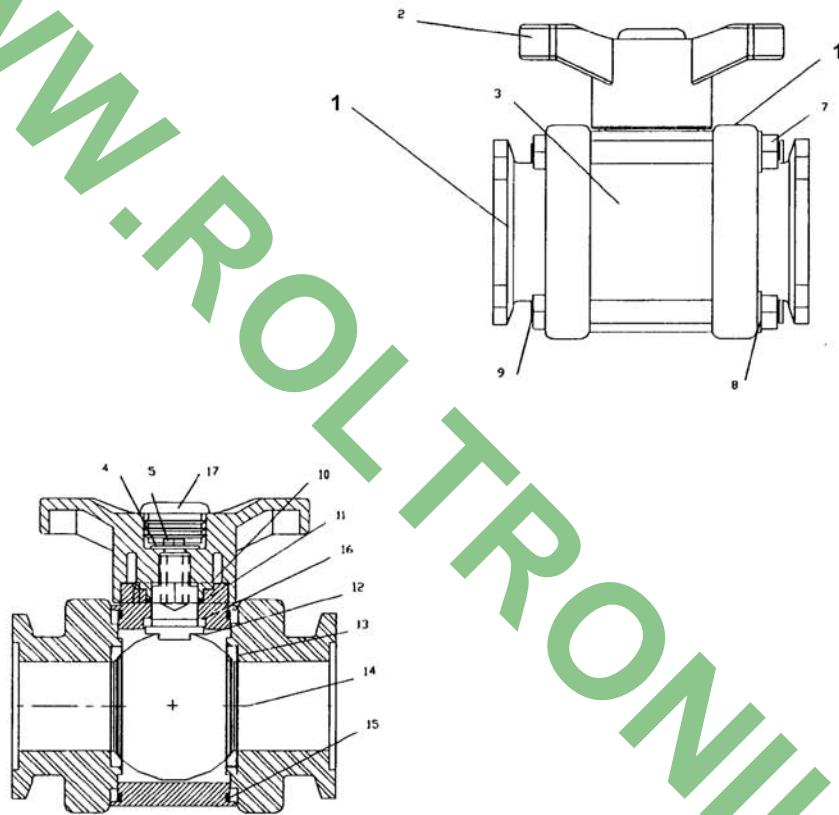
WWW.ROLTRONIK.PL



ITEM	PART #	QTY	DESCRIPTION	COMMENTS
1	AG050511	1	BODY 0.50 UNION VALVE	
2	AG050512	1	PLATE 0.50 UNION END	
3	AG050513	1	CAP 0.75 UNION END	
4	AG050514	1	STEM 0.75 UNION	
5	AG050517	1	BALL VALVE UNION 0.75	
6	AG050519	2	SEAL 0.75 UNION VALVE	
8	AG050520	2	O RING 0.75 UNION STEM (EPDM)	
9	AG050475	1	O RING	
10	AG050515	1	HANDLE 0.75 UNION	

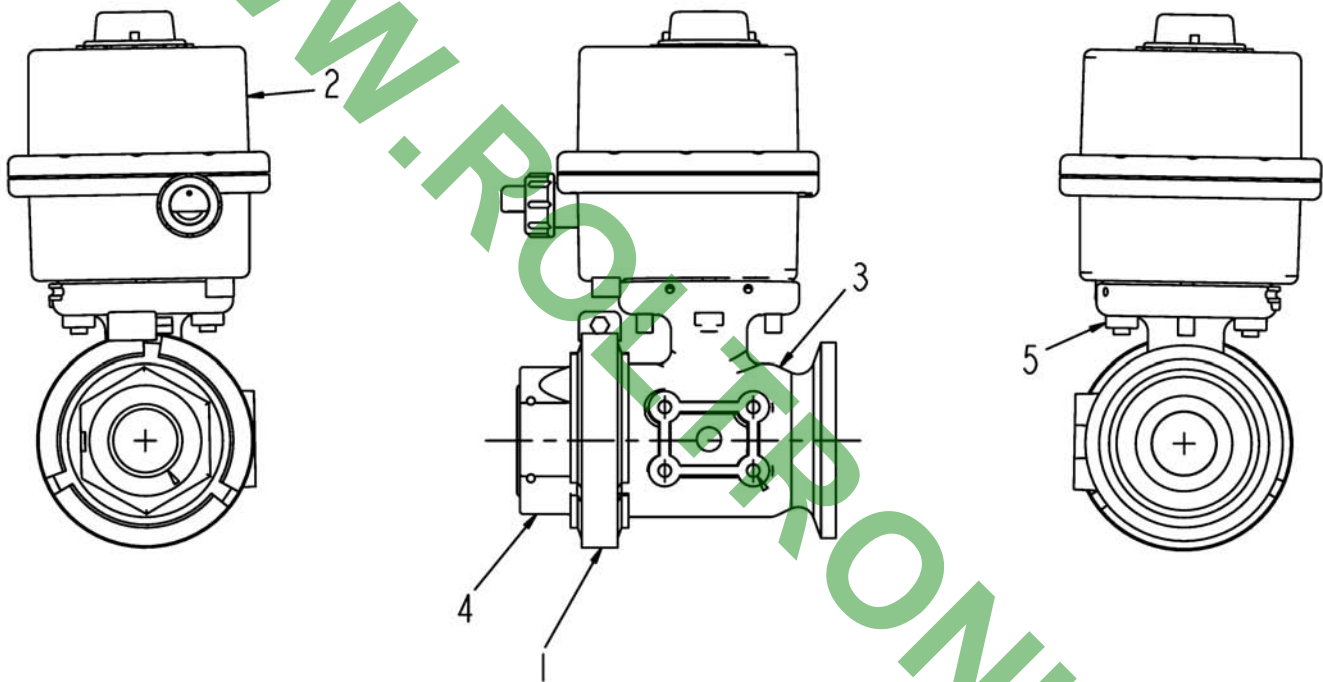
WWW.ROLTRONIK.PL

WWW.ROLTRONIK.PL



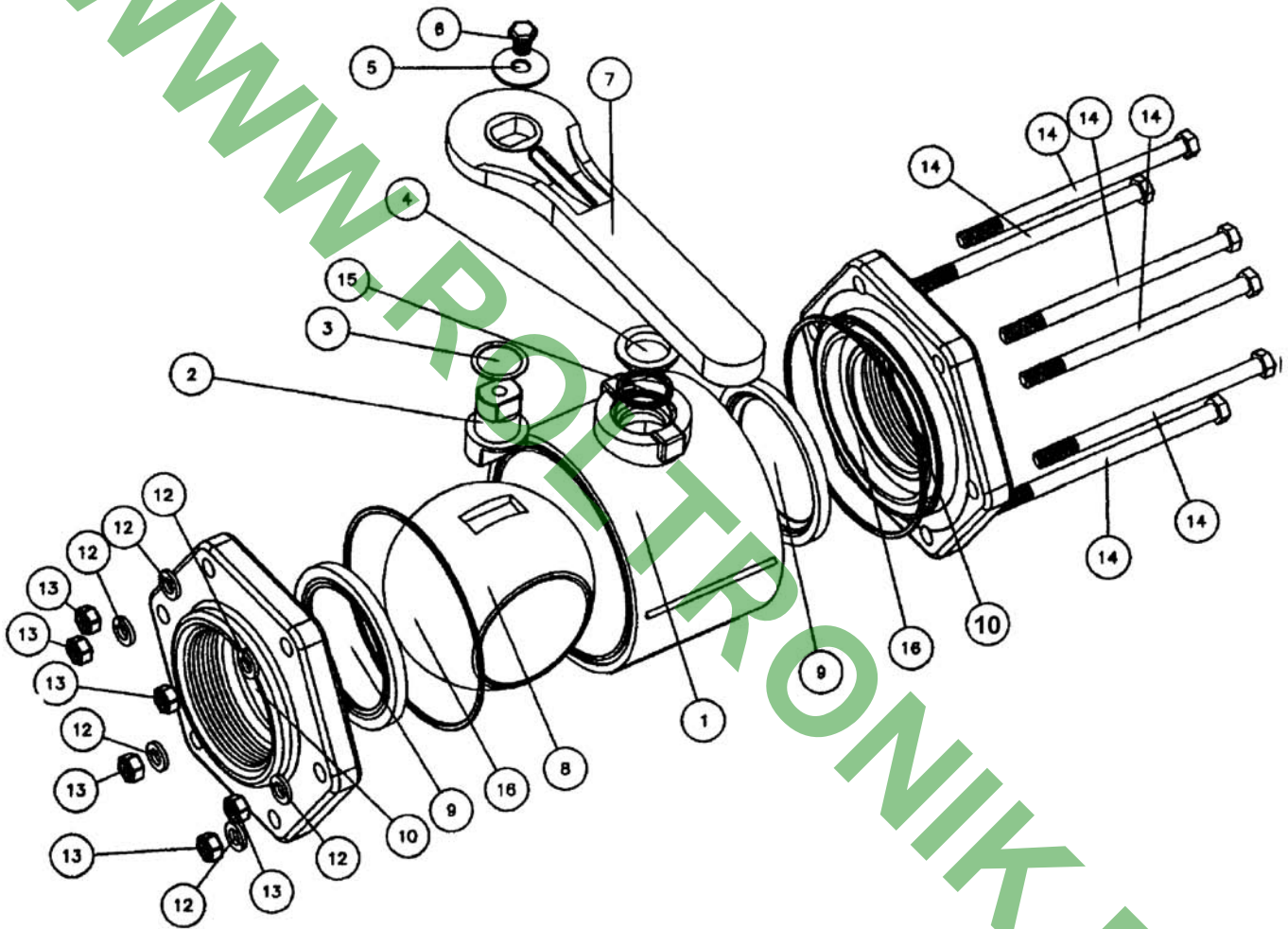
ITEM	PART #	QTY	DESCRIPTION	COMMENTS
1	AG727654	1	PLATE/END	
2	AG055120	1	HANDLE-T,3WAY VALVE	
3	AG007489	1	BODY 1.50 IN	
7	AG054235	4	BODY NUT 3/8-16SS	
8	AG054234	4	BODY LOCKWASHER 3/8	
9	AG054233	4	BODY BOLT 3/8-16X4	
10	AG000789	1	BUSHING UPPER STEM	
11	AG000793	1	O-RING VITON	
12	AG000780	1	STEM	
13	AG006573	2	BALL SEAT	
14	AG007580	1	BALL	
15	AG007470	2	BODY O RING 1.25 1.50&2.00VLV	
16	AG000790	1	BUSHING LOWER STEM V20160	

WWW.ROLTRONIK.PL



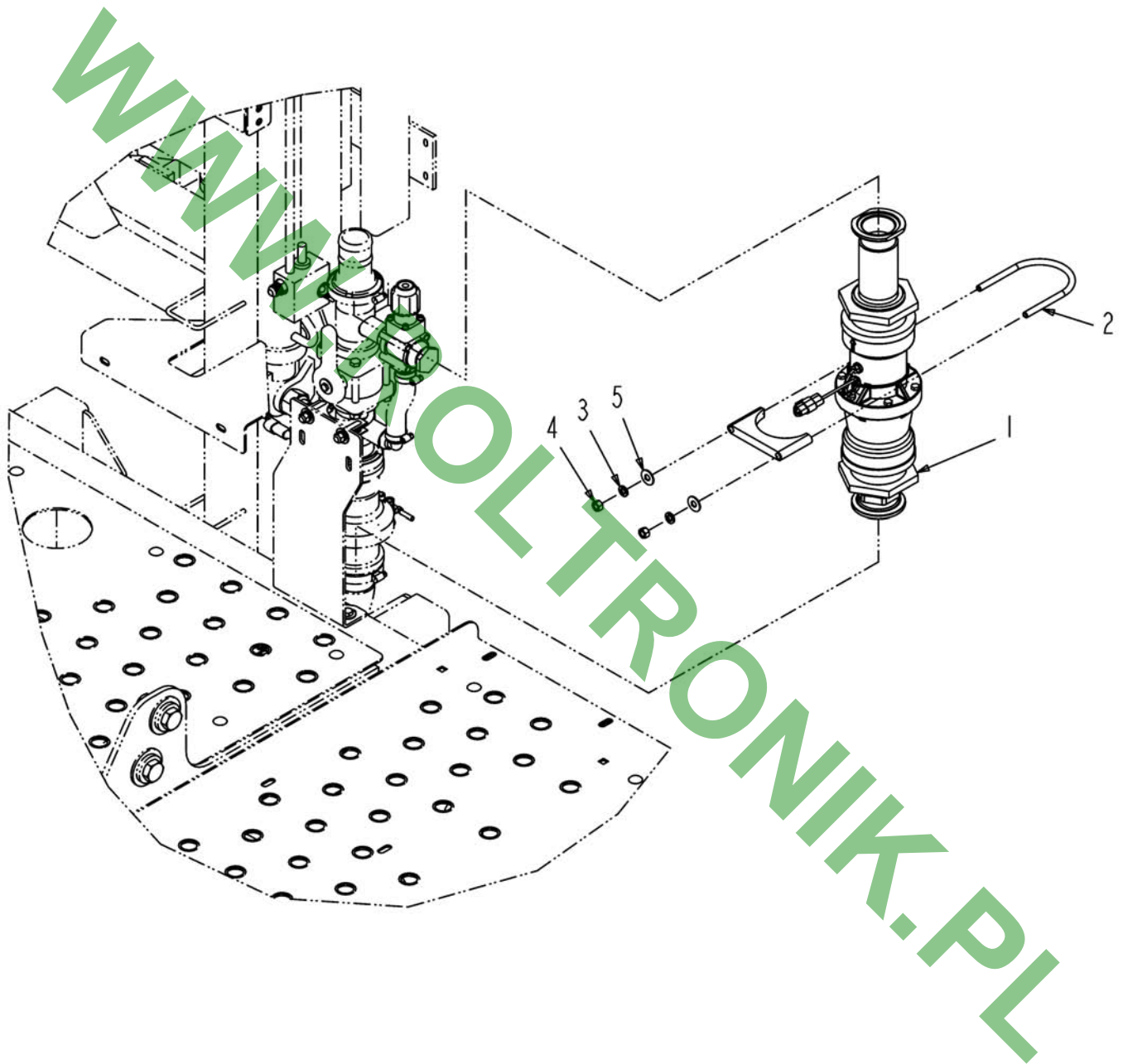
ITEM	PART #	QTY	DESCRIPTION	COMMENTS
REF	AG060921	1	KIT/REPAIR,KZ VALVE 121924	
REF	AG726981	1	PIN / HAIR	
REF	AG726982	1	BALL / 2-WAY	
1	AG121922	-	CLAMP-V BAND,QX4	
2	AG121923	-	ACTUATOR-000-41-Q-9	
3	AG121924	-	BODY-VALVE,FLG OUTLET,1.00,2W	[A]
4	AG121925	-	CAP-END,1.00 FNPT	
5	AG121926	-	NUT-KEP'S,,50-20NC	
	FOOTNOTE [A]		FOR REPAIR KIT USE AG060921	
	FOOTNOTE:		NEW VOLTAGE REGULATOR ADDED TO ACTUATOR. USED IN S/N 114543,114548,114550,114552	
	FOOTNOTE:		AND NUMBER 114891 AND ABOVE.	
	FOOTNOTE:		AG121923 IS THE ACTUATOR ONLY	
	FOOTNOTE:		AG060921 IS THE BALL VALVE ONLY	

WWW.ROLTRONIK.PL



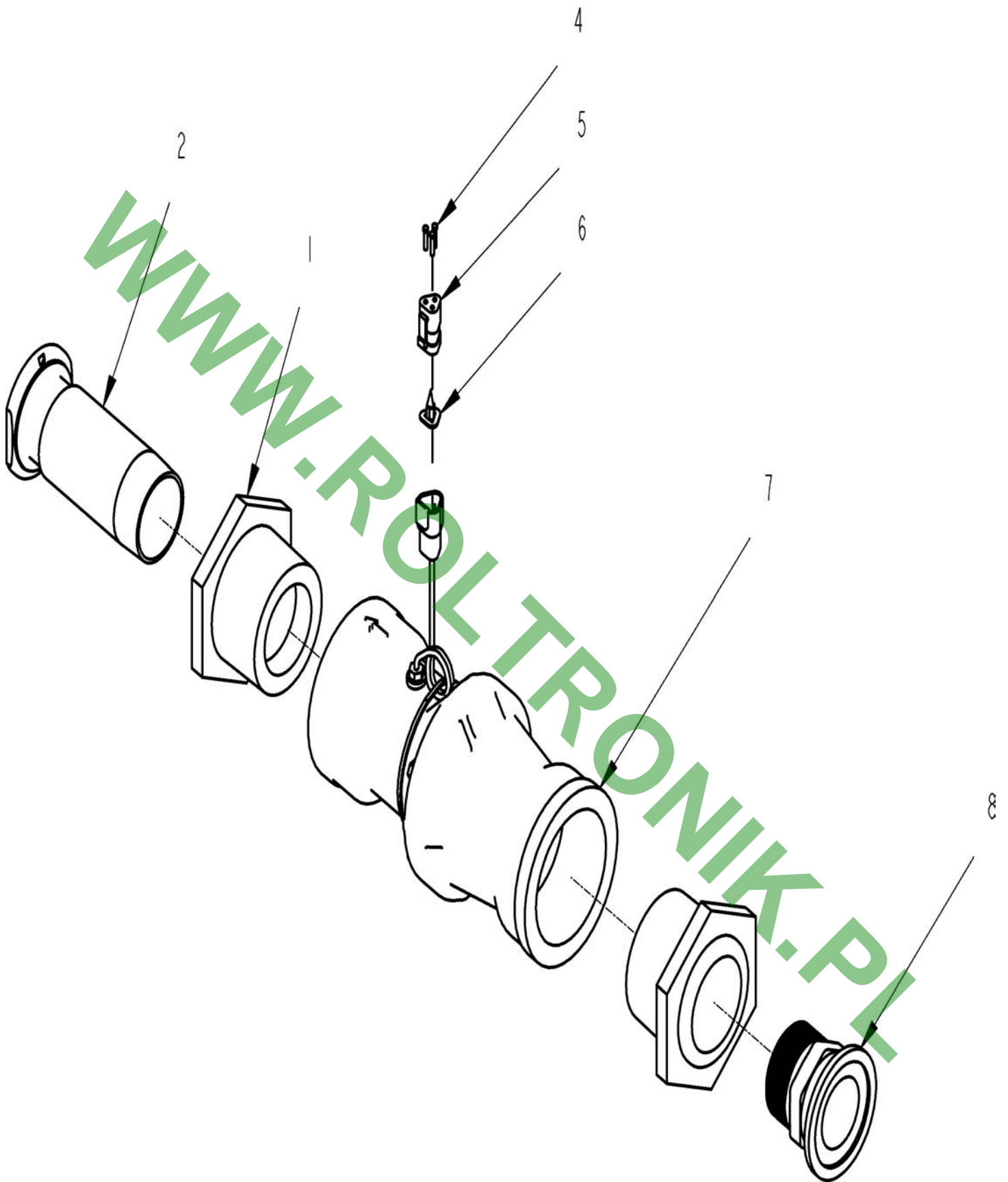
ITEM	PART #	QTY	DESCRIPTION	COMMENTS
1	AG007566	1	BODY 3.00 FF VALVE	
3	AG054488	1	THRUST WASHER 3 IN	
4	AG000801	1	BUSHING UPPER OR LOWER STEM	
7	AG000796	1	HANDLE 2&3	
10	AG007558	1	END PLATE	
12	AG054234	6	BODY LOCKWASHER 3/8	
13	AG054235	6	BODY NUT 3/8-16SS	
14	AG057341	6	BOLT-BODY .38X65-3.00FP	
15	AG000803	1	O-RING VITON	
16	AG007474	2	BODY O RING 3 IN VALVE	

WWW.ROLTRONIK.PL



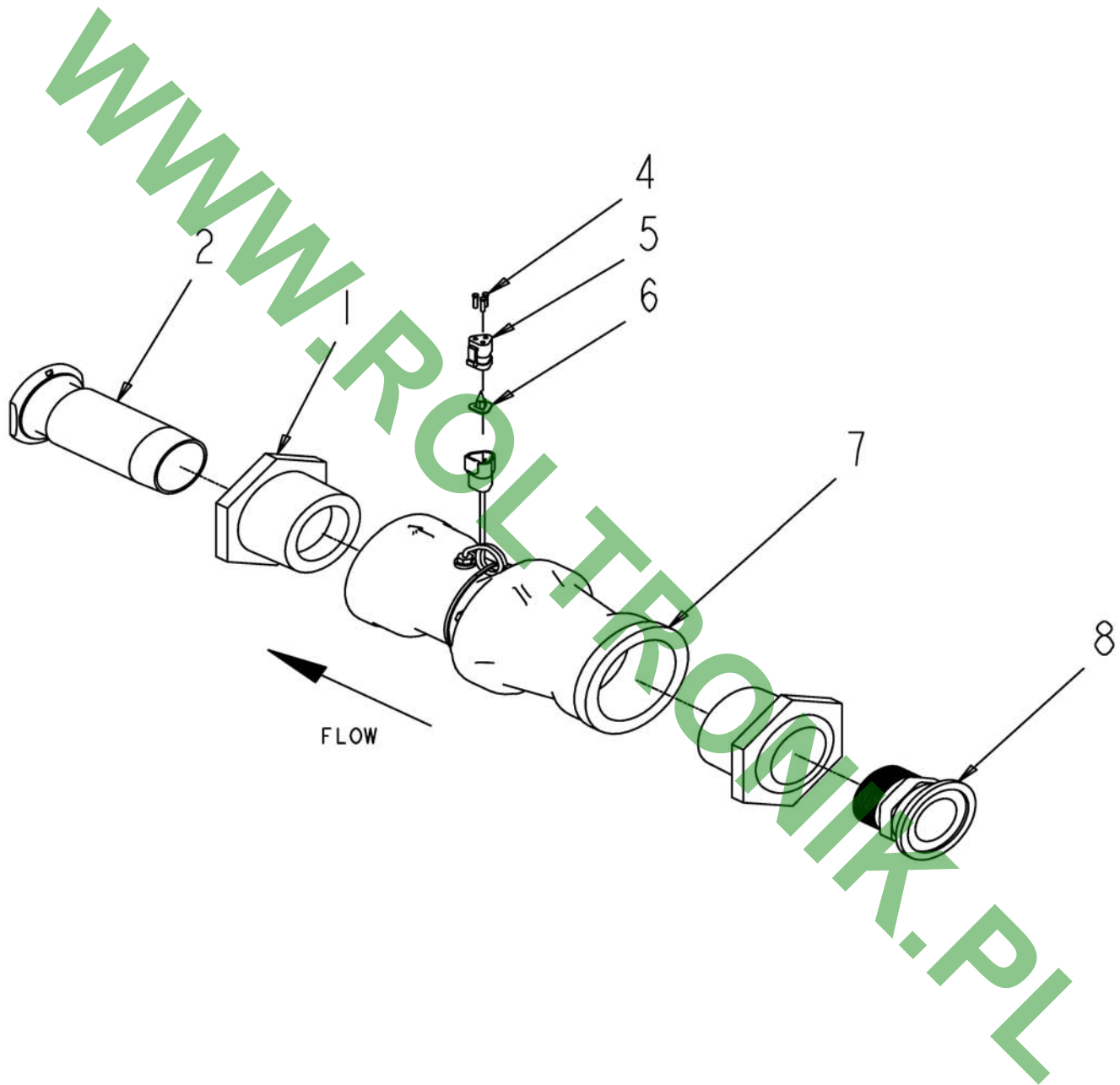
ITEM	PART #	QTY	DESCRIPTION	COMMENTS
1	WR122648	1	FLWMTR ASM-3.00 41PPG	SEE PAGE 2-10
2	AG516611	1	CLAMP MUFFLER 3.50	
3	AG550191	2	WASHER LK 0.37 ZN REG	
4	AG550825	2	NUT 0.37-16NC HEX ZN REG	
5	AG551007	2	WASHER FL 0.37 ZN REG TYPE-B	

WWW.ROLTRONIK.PL



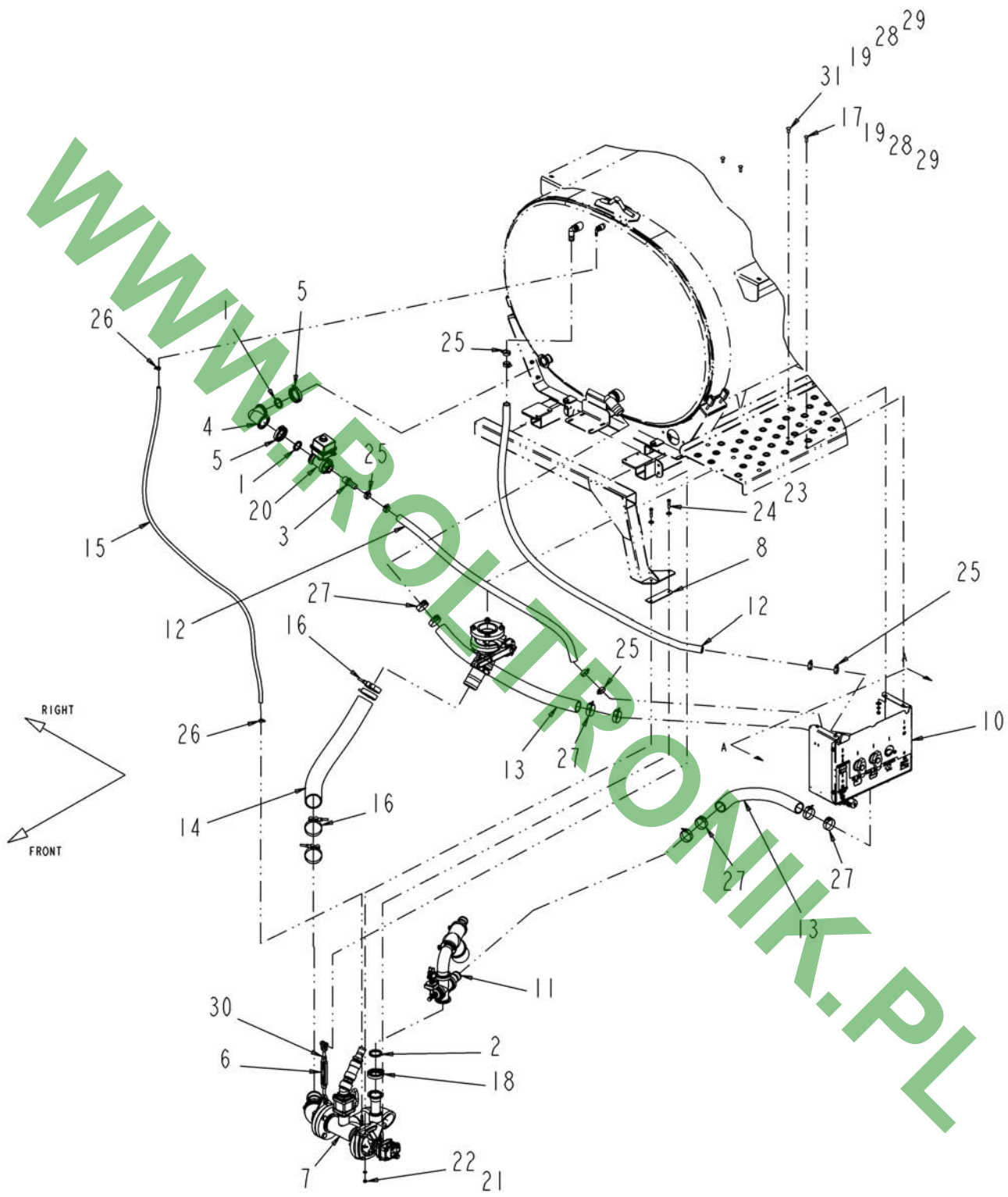
ITEM	PART #	QTY	DESCRIPTION	COMMENTS
1	AG050681	2	BSHG-RDCR,HEX,3.00X2.00NPT,PP	
2	AG122651	1	NIPPLE WLDMT-2.00NPTX2.00FLG	
3	AG129187	AR	PIPE SEALANT-POLY SEAL	
4	AG515669	3	PLUG-SEAL,SIZE 16 CONTACT	
5	AG521021	1	CONN-PLUG,3WAY,18-14GA	
6	AG521023	1	LOCK-PLUG,3WAY,18-14GA	
7	AG522563	1	FLMTR ASM-3.00,41 PULSE/GL,CI	SEE PAGE 2-27
8	AG522893	1	CONNECTOR-2.00FLGX2.00NPT	

WWW.ROLTRONIK.PL

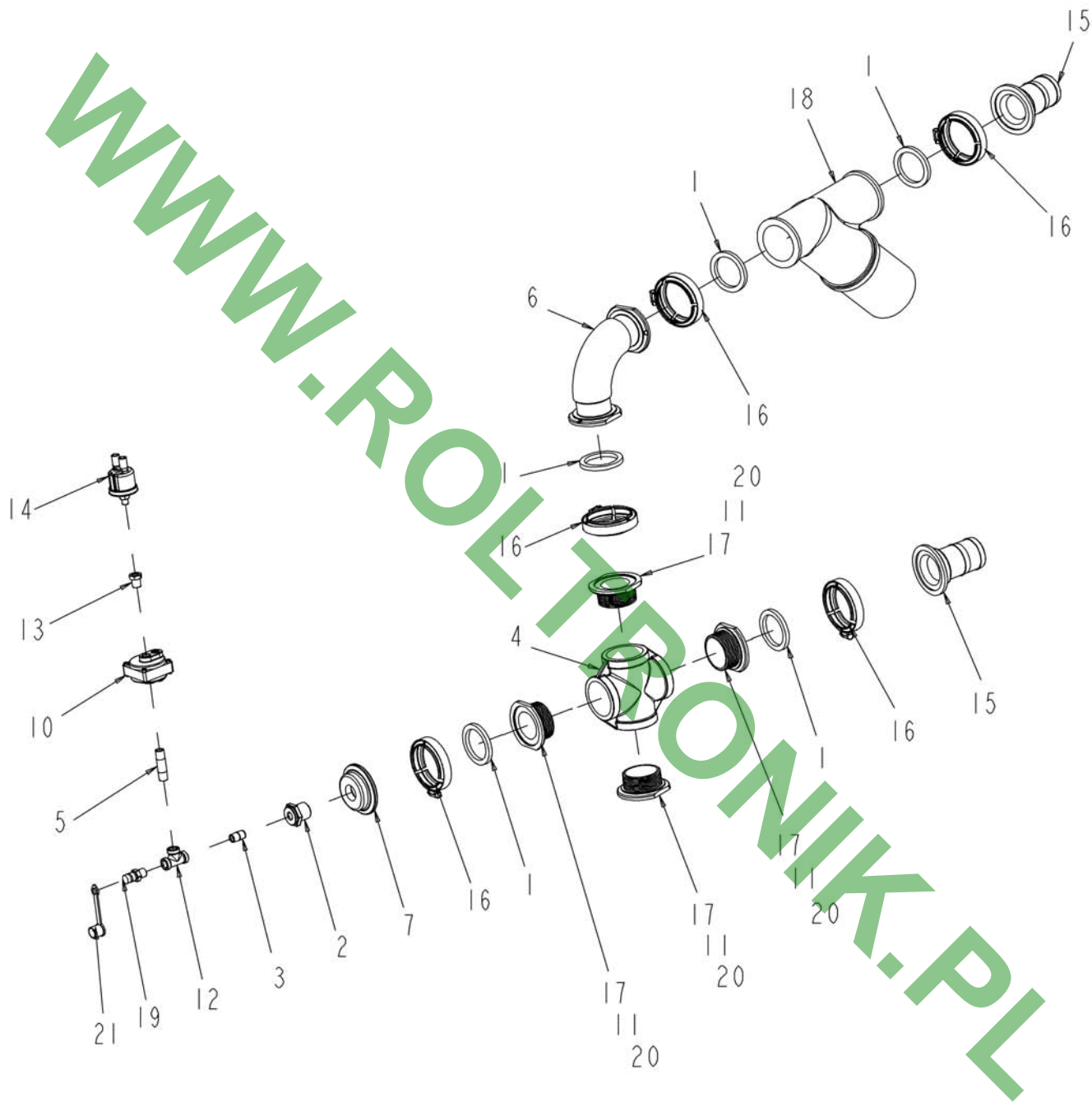


ITEM	PART #	QTY	DESCRIPTION	COMMENTS
1	AG050681	2	BSHG-RDCR,HEX,3.00X2.00NPT,PP	
2	AG122651	1	NIPPLE WLDMT-2.00NPTX2.00FLG	
3	AG129187	AR	PIPE SEALANT-POLY SEAL	
4	AG515669	3	PLUG-SEAL,SIZE 16 CONTACT	
5	AG521021	1	CONN-PLUG,3WAY,18-14GA	
6	AG521023	1	LOCK-PLUG,3WAY,18-14GA	
7	AG522563	1	FLMTR ASM-3.00,41 PULSE/GL,CI	SEE PAGE 2-27
8	AG522893	1	CONNECTOR-2.00FLGX2.00NPT	

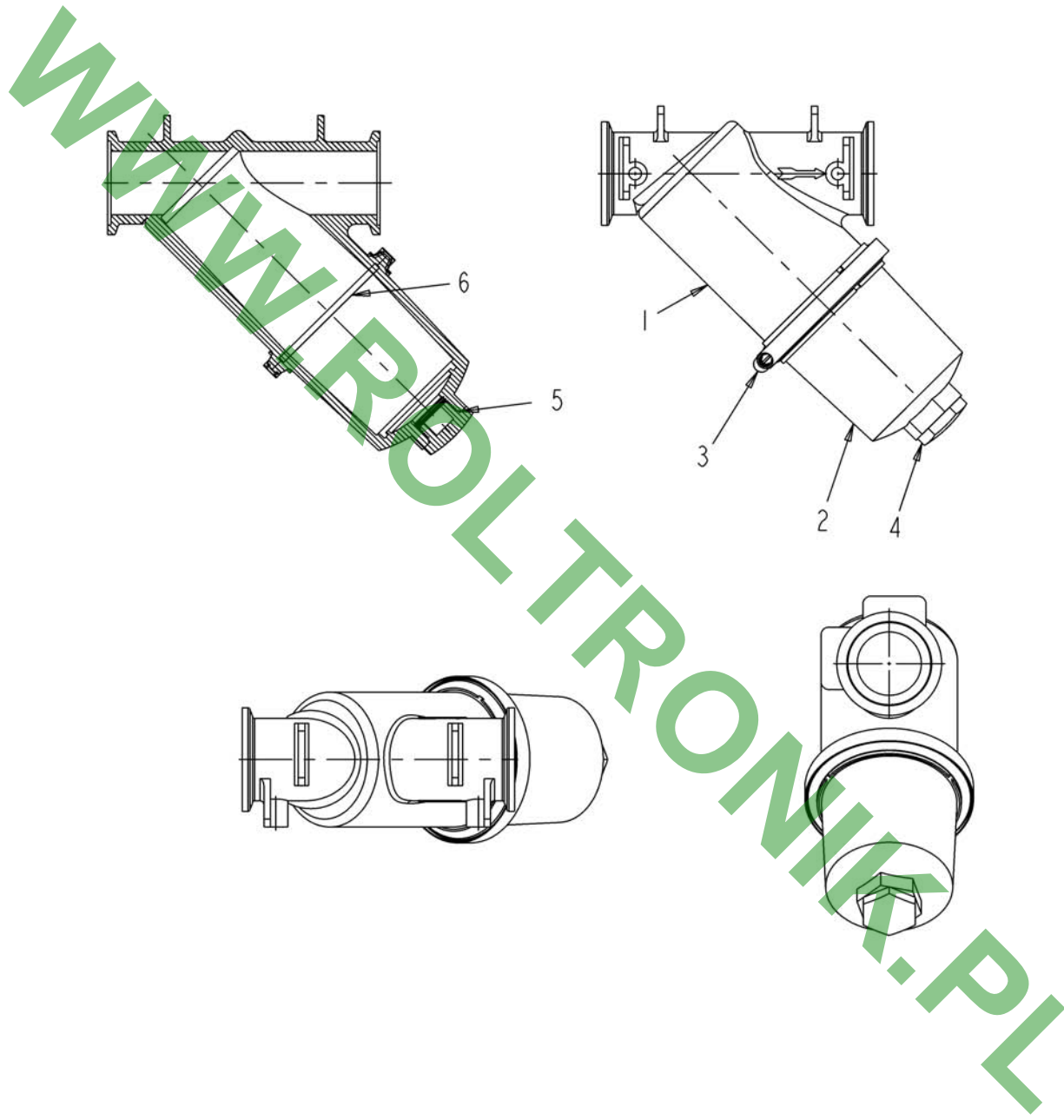
WWW.ROLTRONIK.PL



ITEM	PART #	QTY	DESCRIPTION	COMMENTS
1	AG000772	2	GASKET 1.50 EPDM	
2	AG000773	1	GASKET 2.00 EPDM	
3	AG051059	1	BARB-HOSE,1.00MNPTX1.00BARB,PP	
4	AG056284	1	COUPLING 2.00 MANIFOLD 90D	
5	AG056785	2	CLAMP 2.00 FLANGE	
6	AG128843	1	TURNBUCKLE-JAW,JAW,,5X6	
7	AG128979	1	PLMB ASM-PUMP & RELOAD,HV	SEE PAGE 2-14
8	AG129132	1	PLATE-SPACER,PUMP,PROD	
9	AG129187	AR	PIPE SEALANT-POLY SEAL	
10	AG134017	1	PLMB ASM-MANIFOLD,PRESSURE	SEE PAGE 2-17
11	AG424364	1	PLMB ASM-PRESSURE	SEE PAGE 2-12
12	AG511528	-	HOSE 1.00 2BRD EPDM [BULK: 12.834 FT]	
13	AG511722	-	HOSE-2.00,WIRE BRAID,EPDM [BULK: 5.250 FT]	
14	AG511730	-	HOSE 3.00 WIRE BRAID EPDM [BULK: 2.917 FT]	[A]
15	AG513689	-	HOSE 0.37 2BRD EPDM [BULK: 7.834 FT]	
16	AG518988	4	CLAMP 3.10-3.69 HOSE	[B]
17	AG522571	2	BOLT-.38-16X1.25,SS,CRG	
18	AG522895	1	CLAMP-WORM SCREW,2.00,SS	
19	AG523061	4	WASHER-FL,.37,SS,REG TYPE B	
20	AG523925	1	VALVE-ELEC,REG,2.0FLGX1.0FNPT	SEE PAGE 2-7
21	AG550191	2	WASHER LK 0.37 ZN REG	
22	AG550825	2	NUT 0.37-16NC HEX ZN REG	
23	AG551007	2	WASHER FL 0.37 ZN REG TYPE-B	
24	AG558869	2	BOLT 0.37-16NCX 1.75 G5 ZN HDD	
25	AG561213	8	CLAMP 0.81-1.50 HOSE 16HS	
26	AG561227	2	CLAMP 0.44-0.78 HOSE 6HS	
27	AG561630	8	CLAMP 2.28-2.59HOSE VOSS-250SS	
28	AG562050	4	WASHER LK 0.37 SS REG	
29	AG562065	4	NUT 0.37-16NC HEX SS REG	
30	AG562538	1	NUT 0.50-13NC HEX GALV REG OSZ	
31	AG609084	2	BOLT 0.37-16NCX 1.00 CRG SS409	
	FOOTNOTE [A]		100 FT COIL	
	FOOTNOTE [B]		USE WITH 3 INCH BRAIDED HOSE AG511730	

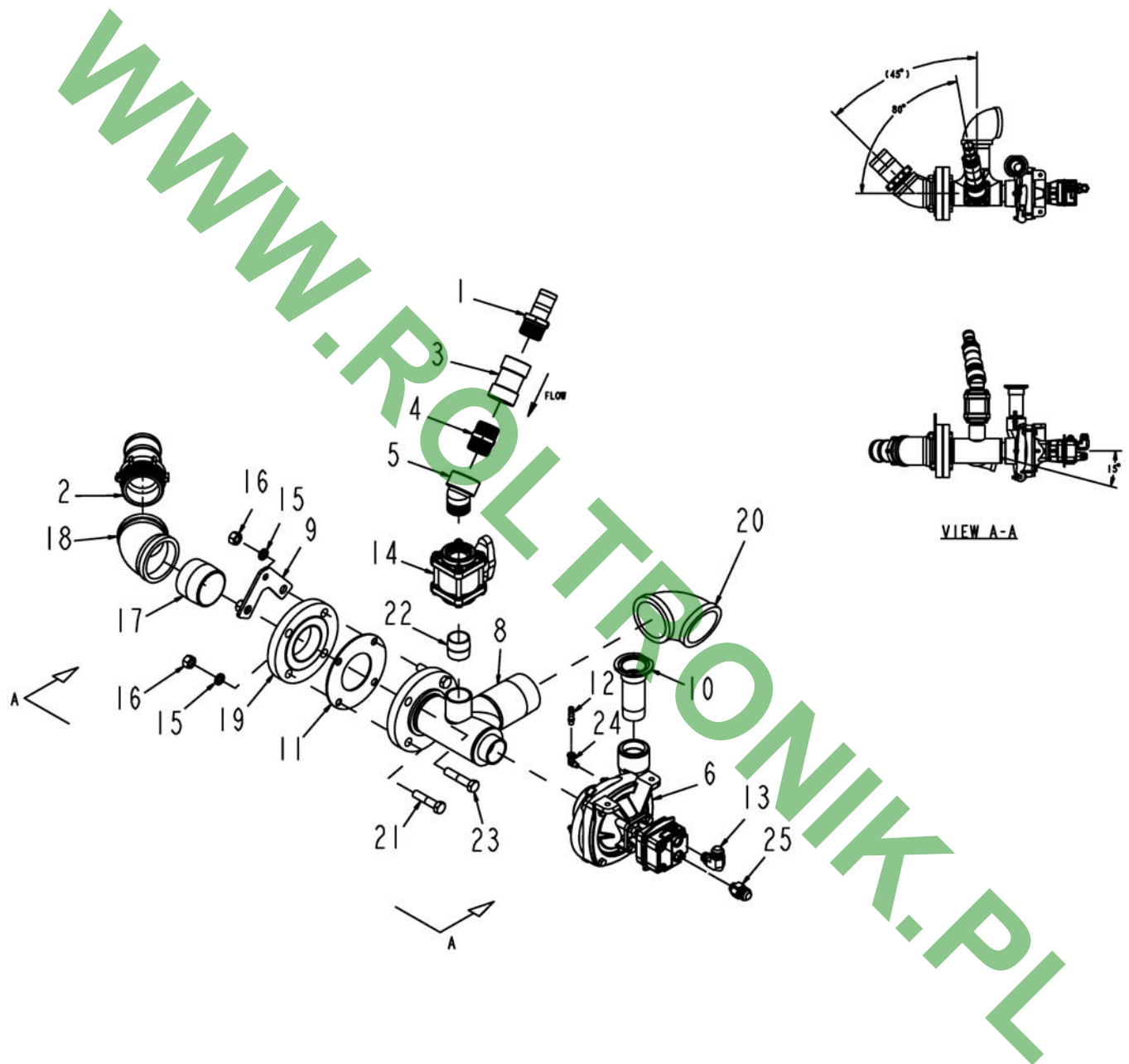


ITEM	PART #	QTY	DESCRIPTION	COMMENTS
1	AG000773	5	GASKET 2.00 EPDM	
2	AG051573	1	BSHG-RDCR,HEX,0.75X0.25NPT,PP	
3	AG051740	1	NIPPLE 0.25NPTX CLS 304SS	
4	AG055912	1	NIPPLE,.25X2.00 304SS	
5	AG121445	1	ELB WLDMT-90D,LR,2.0FLGX2.0FLG	
6	AG124169	1	PLUG-FLANGE,W/.75FNPT,2.00FP	
7	AG129187	AR	PIPE SEALANT-POLY SEAL	
8	AG134191	-	COOLANT-ENGINE,50/50 MIX [BULK: 0.001 GA]	
9	AG515414	1	GAUGE PROTECTOR	
10	AG517855	1	TEE 0.25 NPT FEMALE SS	
11	AG518504	1	BUSHING .25MNPT X .12FNPT SS	
12	AG521017	1	SENDER-PRESSURE,0-150PSI,GRD	
13	AG522894	2	CONN-2.00 FLG X2.00 HOSE BARB	
14	AG522895	5	CLAMP-WORM SCREW,2.00,SS	
15	AG523930	1	STRAINER-Y,2.0FP,FLG	SEE PAGE 2-13
16	AG562607	1	COUPLER QK 0.25-18 MALE	
17	6630367	1	CAP-DUST	
18	507655D1	1	CROSS-2.00FP FLG,SS	

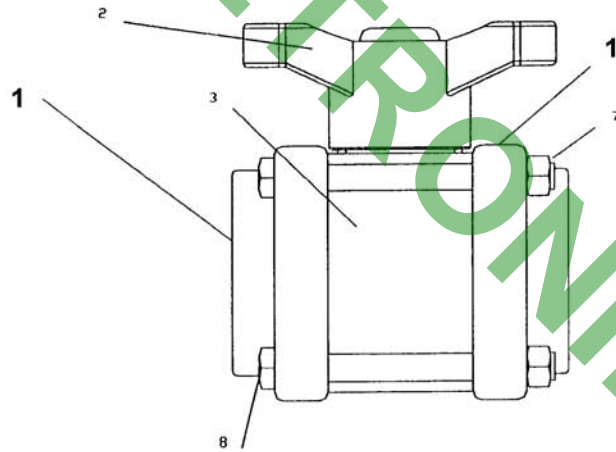
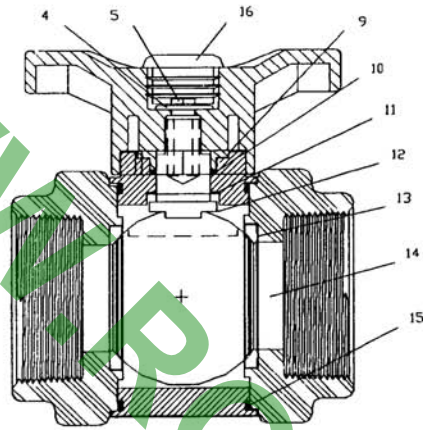


ITEM	PART #	QTY	DESCRIPTION	COMMENTS
1	AG725931	-	STRAINER BODY-2 IN ,FULL FLOW	
2	AG725932	-	CAP-STRAINER	
3	AG725933	-	CLAMP-STRAINER	
4	AG053484	-	PLUG 1 IN	[A]
5	AG053485	-	O RING CLEAN OUT PLUG	
6	AG725928	-	GASKET-EDPM	
7	AG052351	-	SCREEN 30 MESH	
	FOOTNOTE [A]		O-RING VITON AG054967	
	FOOTNOTE [A]		USE FOR A 2 T-STRAINER DRAIN PLUG.	
	FOOTNOTE [A]		(WILL NOT WORK ON A LSQ STRAINER)	

WWW.ROLTRONIK.PL

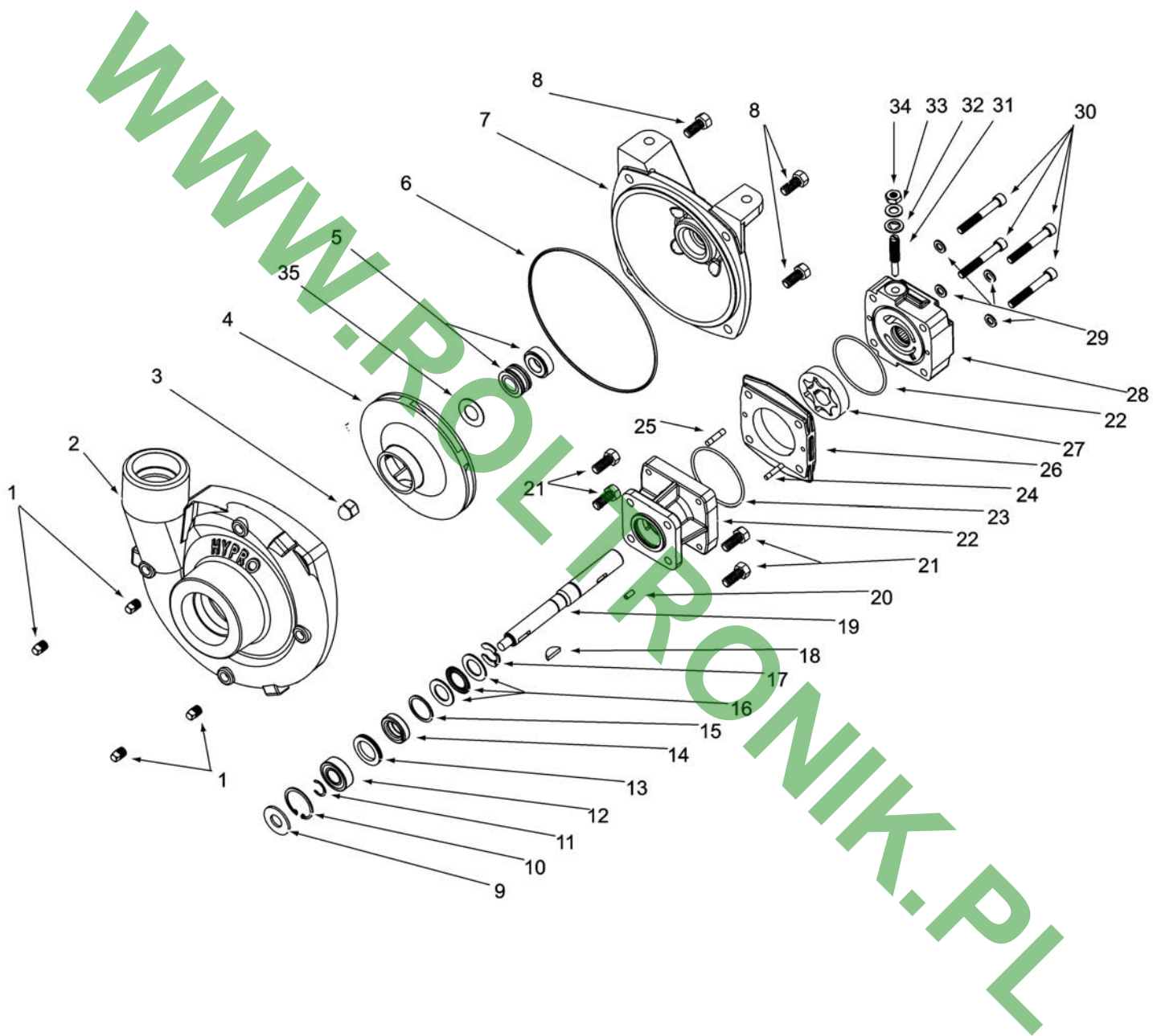


ITEM	PART #	QTY	DESCRIPTION	COMMENTS
1	AG000766	1	BARB-HOSE,1.50MNPTX1.50BARB,PP	
2	AG000768	1	BARB-HOSE,3.00MNPTX3.00BARB,PP	
3	AG006518	1	STRAINER CHECK 1.50	
4	AG050253	1	NIPPLE-PIPE,1.50NPTXCLS,PP	
5	AG052340	1	POLY ST ELBOW 45D 1.50 IN	
6	AG128977	1	PUMP-CNTFGL,2.00X1.50,9306CHM5	SEE PAGE 2-16
7	AG129187	AR	PIPE SEALANT-POLY SEAL	
8	AG129988	1	TEE WLDMT-3.00,SUCTION,LIQ SYS	
9	AG131011	1	PLATE-MTG,PLMB,SUCT,LIQ SYS	
10	AG262472	1	CPLG WLDMT-2.0FPX1.50MNPT	
11	AG517044	1	GASKET 3.00 IN FULL FACE NON-ASBE	
12	AG518195	1	FTG HOSE 1/8NPTX3/8HOSE POLY	
13	AG520304	1	ELBOW-90D,-8MOR X -23MJIC	
14	AG524024	1	VALVE-BALL,1.50NPT,T HANDLE	SEE PAGE 2-15
15	AG550450	4	WASHER 0.62 LK ZN REG	
16	AG550477	4	NUT 0.62-11NC HEX ZN REG	
17	AG553026	1	FLANGE COMP 3.0NPTX7.5 4H	[A]
18	AG553085	1	ELBOW 90D 3.00NPT MAL IR	
19	AG554758	2	BOLT 0.62-11NCX 2.75 G5 ZN HDD	
20	AG556742	1	NIPPLE 1.50NPTX 1.75CLS WR ST	
21	AG560870	2	BOLT 0.62-11NCX 3.00 G5 ZN HDD	
22	AG560931	1	NIPPLE 3.00NPTX 2.62PIPE 304SS	
23	AG561212	1	ELBOW 90D 0.12MNPT X 0.12FNPT	
24	AG561339	1	ADAP STR 0.50MO-R X 0.75MJIC	[B]
25	AG711986	1	ELBOW 45D 3.00 IN 304SS	
	FOOTNOTE [A]		4 BOLT HOLES	
	FOOTNOTE [B]		AG713670 O-RING	

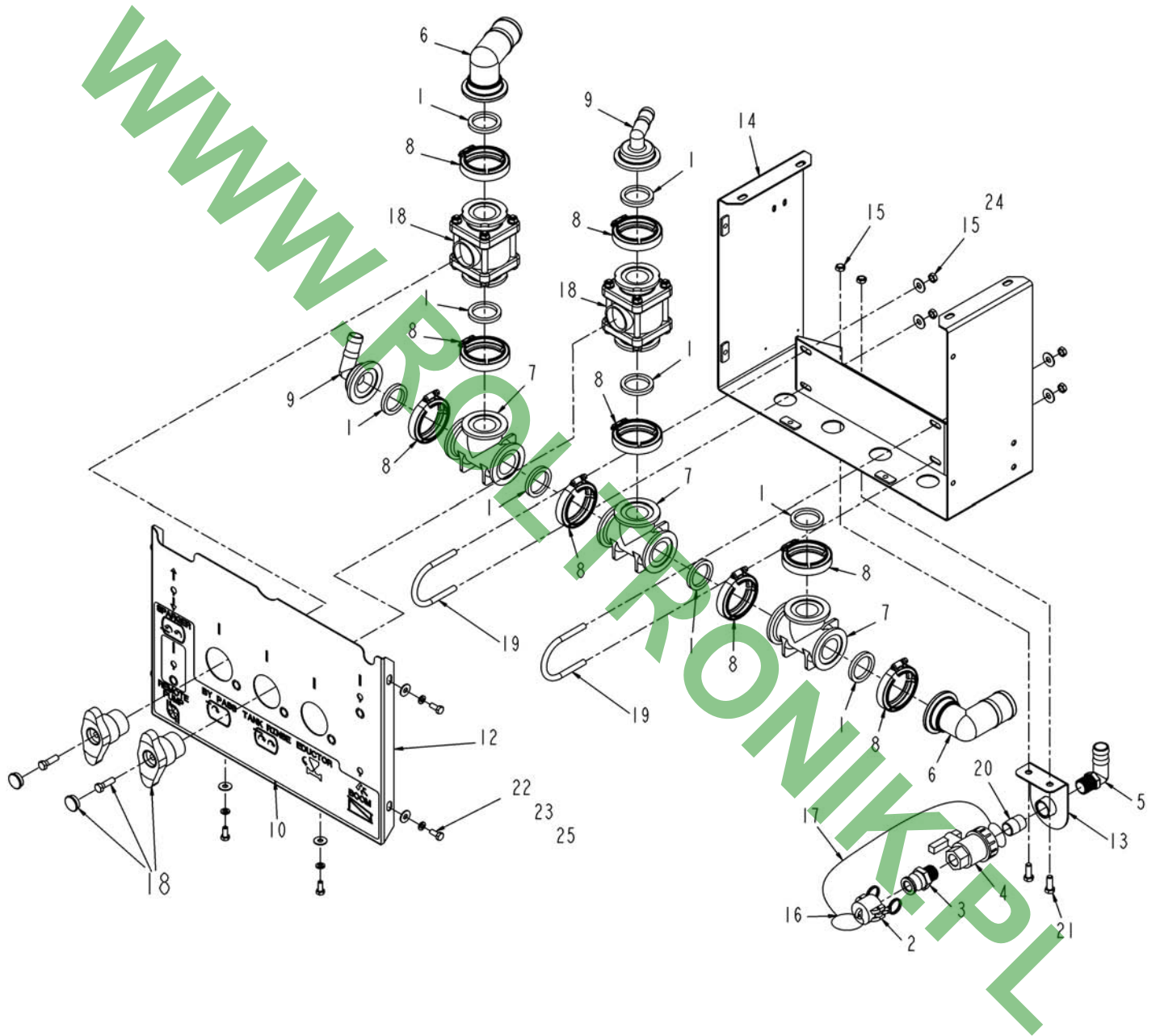


ITEM	PART #	QTY	DESCRIPTION	COMMENTS
1	AG006577	1	END PLATE 1.50	
2	AG055120	1	HANDLE-T,3WAY VALVE	
3	AG007489	1	BODY 1.50 IN	
4	AG056115	1	WASHER-HANDLE	
5	AG056114	1	BOLT-HANDLE,1/4X1/2	
7	AG054235	4	BODY NUT 3/8-16SS	
8	AG054233	4	BODY BOLT 3/8-16X4	
9	AG000789	1	BUSHING UPPER STEM	
10	AG000793	1	O-RING VITON	
11	AG000790	1	BUSHING LOWER STEM V20160	
12	AG000780	1	STEM	
13	AG006573	2	BALL SEAT	
15	AG007470	2	BODY O RING 1.25 1.50&2.00VLV	
16	AG059020	1	CAP-HANDLE	

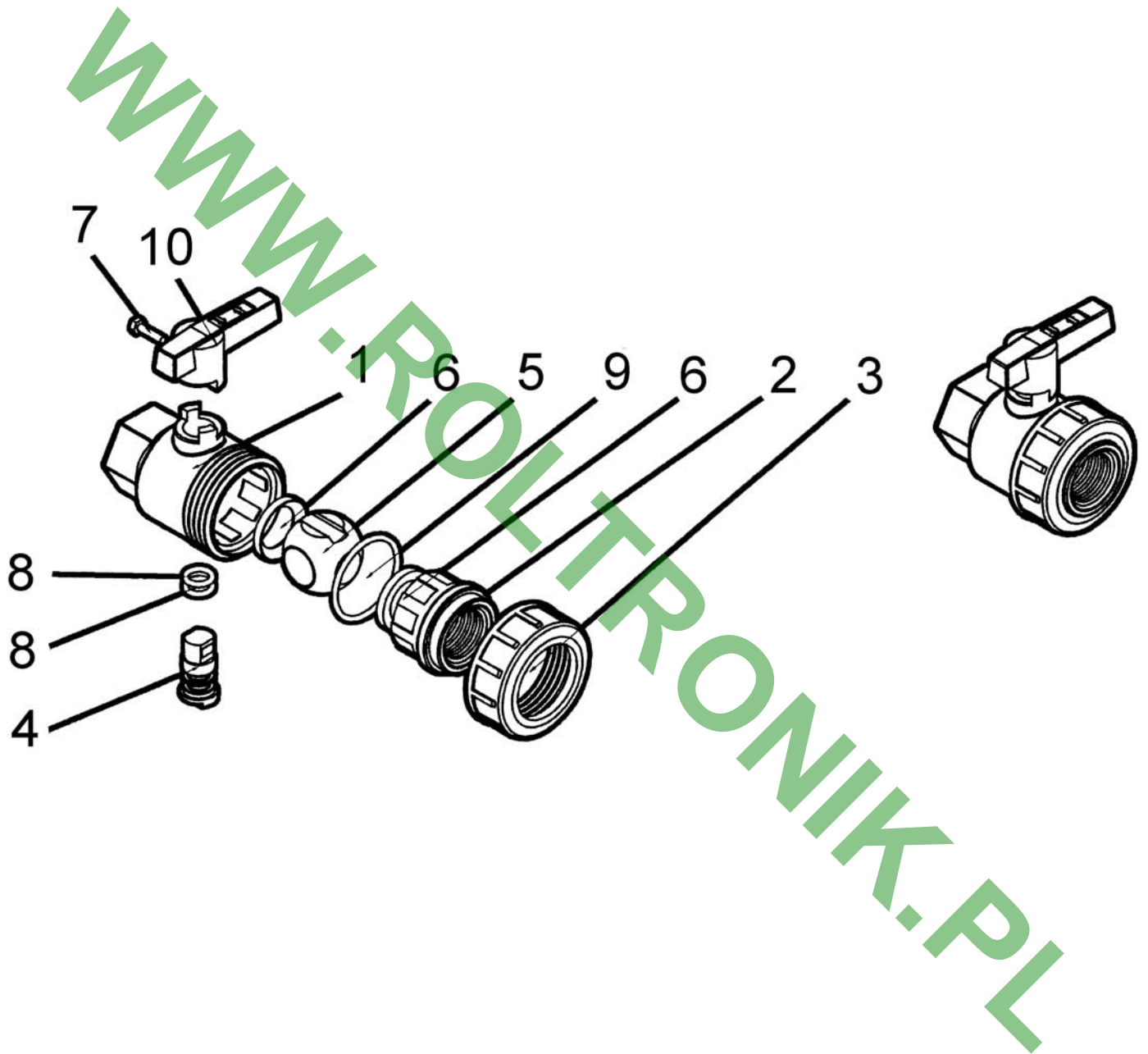
WWW.ROLTRONIK.PL



ITEM	PART #	QTY	DESCRIPTION	COMMENTS
1	AG006504	4	PIPE PLUG CASING	
2	AG131486	1	CASING, PUMP	
3	AG005168	1	NUT IMPELLER 2253-2	[A]
4	AG131494	1	IMPELLER	
5	AG000482	1	SEAL VITON	[B]
6	AG000338	1	O-RING	
7	AG131487	1	FLANGE,MOUNTING	
8	AG006500	4	SCREW HEX HD FLANGE TO CASING	
9	AG000313	1	O-RING WASHER	
10	AG000349	1	RING BEARING	
11	AG000346	1	RING BEARING	
12	AG006990	1	BEARING BALL	
13	AG006992	1	SLEEVE	
14	AG005536	1	SEAL ONLY	
15	AG006991	1	SLEEVE	
16	AG007170	1	BEARING ASM	
17	AG006993	1	SNAP RING	
18	AG005687	1	KEY WOODRUFF	
19	AG006995	1	SHAFT HM1	
20	AG006997	1	PIN ROLL	
21	AG007657	4	CAPSCREW	
22	AG056226	1	BODY,MOTOR	[C]
23	AG006175	2	O RING	
24	AG007002	1	DOWEL PIN HM1	
25	AG007004	1	PIN DOWEL HM1	
26	AG058979	1	HOUSING,GEROTOR HM5	
27	AG055073	1	GEROTOR HM5 MODEL	
28	AG058978	1	END PLATE,MOTOR WITH BEARING	
29	AG007009	4	WASHER	
30	AG007010	4	CAPSCREW SOCKET HEAD HM2	
31	AG006947	1	SCREW BYPASS ADJ	[D]
32	AG007006	1	GASKET	
33	AG007007	1	WASHER	
34	AG007008	1	LOCKNUT	
35	AG052854	1	GASKET VITON	
	FOOTNOTE [A]		3/8 FINE THREAD	
	FOOTNOTE [B]		CAN USE PART # AG000521WR OR AG055091 SEAL KIT	
	FOOTNOTE [B]		THESE ALSO HAVE ORING PART #AG000338 IN KIT.	
	FOOTNOTE [B]		SEE PARTS BULLETIN # 000470.	
	FOOTNOTE [C]		REPLACES AG006998 ALUM. BODY. AG056226 IS CAST IRON	
	FOOTNOTE [C]		CAN USE CAST PART IN ALUM MOTOR BUT DO NOT USE ALUM PART IN A CAST MOTOR.	
	FOOTNOTE [C]		AG050655-NEEDLE BEARING	
	FOOTNOTE [D]		REPLACES PART # AG007005	

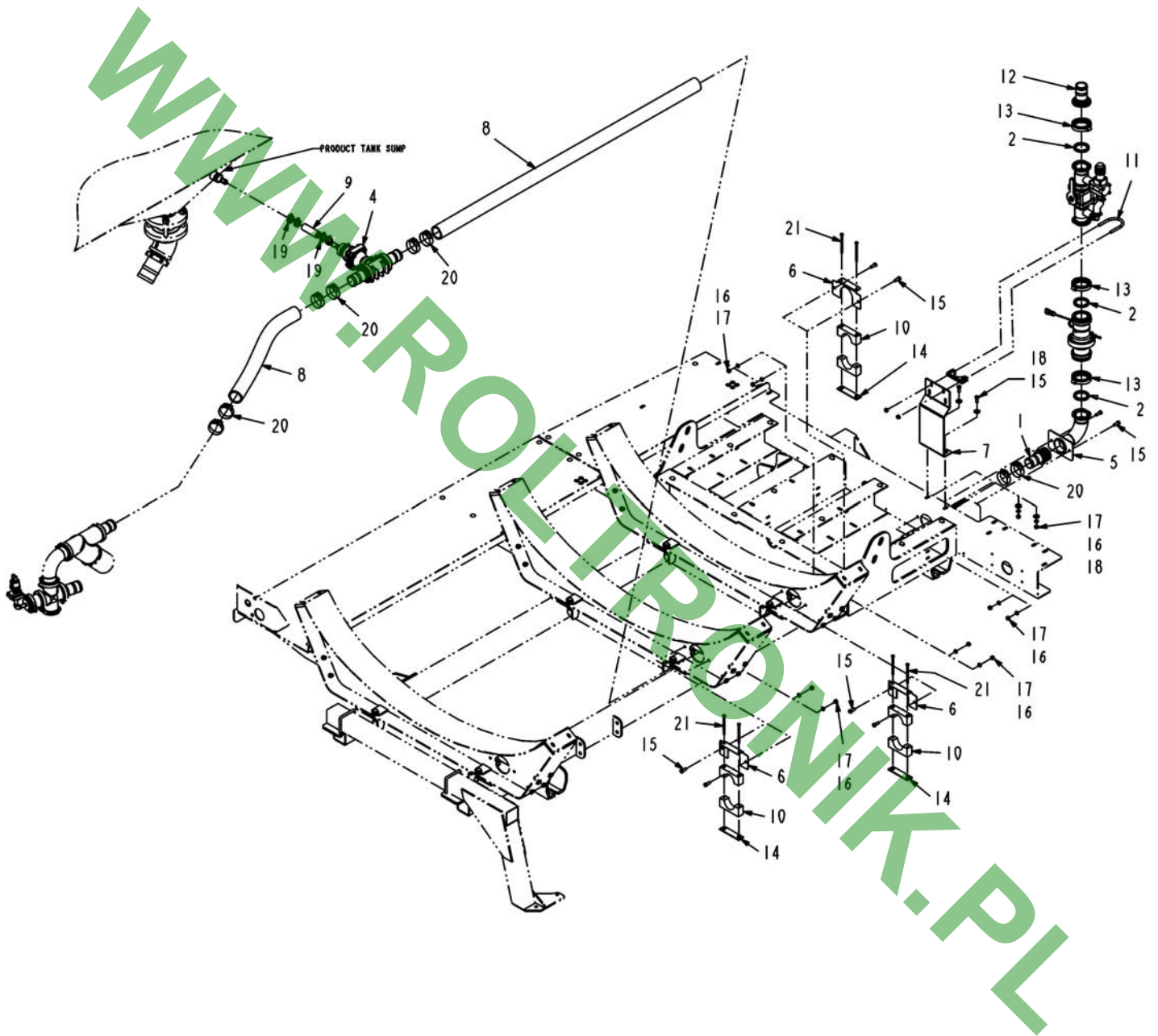


ITEM	PART #	QTY	DESCRIPTION	COMMENTS
1	AG000772	9	GASKET 1.50 EPDM	
2	AG006670	1	CAP-LEVER,QC,0.75 PP	
3	AG006671	1	ADAPTER 0.75NPTX0.75MALE	
4	AG050205	1	VALVE 0.75 NPT BALL UNION POLY	SEE PAGE 2-18
5	AG051143	1	ELBOW 90D 0.75NPTX1.00 BARB PP	
6	AG056282	2	CONNECTOR 2.00FLGX2.00HOSE 90D	
7	AG056287	3	FITTING 2.00 FLANGED TEE	
8	AG056785	9	CLAMP 2.00 FLANGE	
9	AG057586	2	CONNECTOR 2.00FLANGEX1.00HOSE	
10	AG121228	1	DECAL-PRESSURE MANIFOLD	
11	AG129187	AR	PIPE SEALANT-POLY SEAL	
12	AG134018	1	PANEL-COVER,MANIFOLD,PRESSURE	
13	AG262492	1	BRKT WLDMT-RINSE,FILL	
14	AG327857	1	BRKT WLDMT-MANIFOLD,PRESS	
15	AG515140	6	NUT 0.37-16NC SS HVY HX NY INS	
16	AG515981	2	COMPRESSION SLEEVE	
17	AG516060	-	CABLE NYLON COATED [BULK: 2.000 FT]	[A]
18	AG523923	2	VALVE-2.0 FLG,T HANDLE,PP	SEE PAGE 2-6
19	AG523936	2	BOLT-U, .38-16X2.62X3.62,RND,SS	
20	AG554472	1	NIPPLE 0.75NPTX 1.37CLS WR ST	
21	AG562048	2	BOLT 0.37-16NCX 1.00 S.S. HHD	
22	AG562049	6	BOLT 0.31-18NCX 0.75 S.S. HHD	
23	AG562051	6	WASHER LK 0.31 SS REG	
24	AG562073	4	WASHER FL 0.37 SS REG	
25	AG562074	6	WASHER FL 0.31 SS REG	
	FOOTNOTE [A]		AG515981 COMPRESSION SLEEVES TO CLAMP ENDS TO FORM LOOPS	



ITEM	PART #	QTY	DESCRIPTION	COMMENTS
1	AG050516	1	UNION BODY 0.75	
2	AG050518	1	PLATE UNION END 0.75	
3	AG050513	1	CAP 0.75 UNION END	
4	AG050514	1	STEM 0.75 UNION	
5	AG050517	1	BALL VALVE UNION 0.75	
6	AG050519	2	SEAL 0.75 UNION VALVE	
8	AG050520	2	O RING 0.75 UNION STEM (EPDM)	
9	AG050475	1	O RING	
10	AG050515	1	HANDLE 0.75 UNION	

WWW.ROLTRONIK.PL

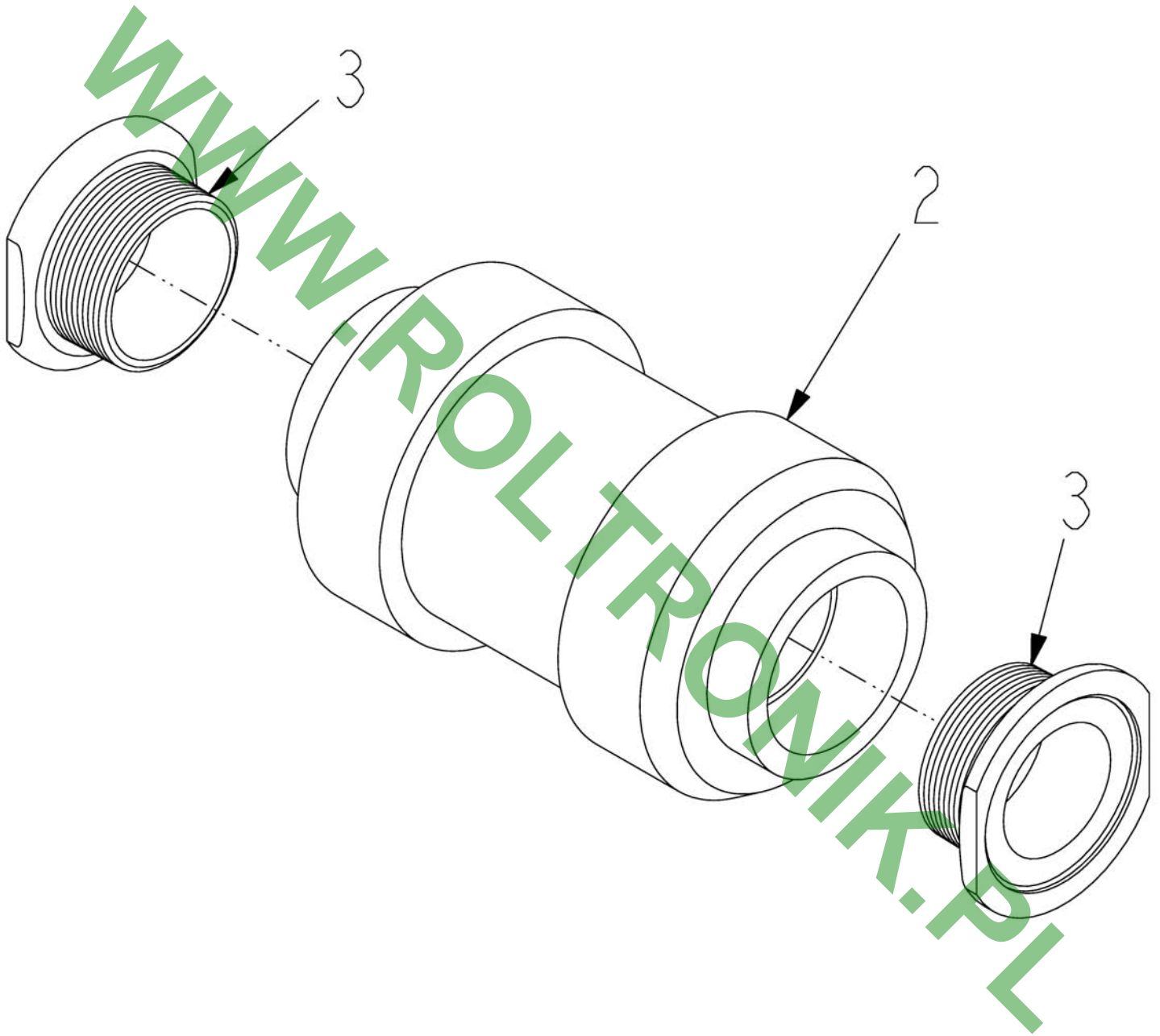


ITEM	PART #	QTY	DESCRIPTION	COMMENTS
1	AG000767	1	BARB-HOSE,2.00MNPTX2.00BARB,PP	
2	AG000773	3	GASKET 2.00 EPDM	
3	AG129187	-	PIPE SEALANT-POLY SEAL	
4	AG134343	1	TEE ASM-MANG,220X100,RLF VALVE	SEE PAGE 2-20
5	AG327785	1	MANIFOLD WLDMT-REAR,PRESS PLMB	
6	AG327850	3	BRKT-CLAMP,HOSE,PRESSURE	
7	AG327928	1	BRKT-FLOWMETER	
8	AG511722	-	HOSE-2.00,WIRE BRAID,EPDM [BULK: 7.521 FT]	
9	AG513385	-	HOSE,MED.PRESS 0.75 2BRD EPDM [BULK: 0.292 FT]	
10	AG518340	3	CLAMP 2.50 BLACK POLY (RTG)	[A]
11	AG522044	1	CLAMP-MUFFLER,2.50,SS	
12	AG522894	1	CONN-2.00 FLG X2.00 HOSE BARB	
13	AG522895	3	CLAMP-WORM SCREW,2.00,SS	
14	AG523940	3	PLATE-WELD,SINGLE,GROUP 7	
15	AG550175	10	BOLT 0.37-16NCX 1.00 G5 ZN HHD	
16	AG550191	10	WASHER LK 0.37 ZN REG	
17	AG550825	10	NUT 0.37-16NC HEX ZN REG	
18	AG551007	4	WASHER FL 0.37 ZN REG TYPE-B	
19	AG561229	4	CLAMP 0.68-1.25 HOSE 12HS	
20	AG561630	8	CLAMP 2.28-2.59HOSE VOSS-250SS	
21	AG562148	6	BOLT 0.25-20NCX 4.00 G5 ZN	
	FOOTNOTE [A]		THIS PART SHOULD COME WITH 2 SPACERS AG609777	
	FOOTNOTE [A]		AG563069 BOLT, AG515123 NUT, AG515121 FLAT WASHER, AG515122 LK WASHER	
	FOOTNOTE [A]		CLAMPS FOR FEED HOSE 2 WIRE BRAID AG511722-2.5 INCH OD.	



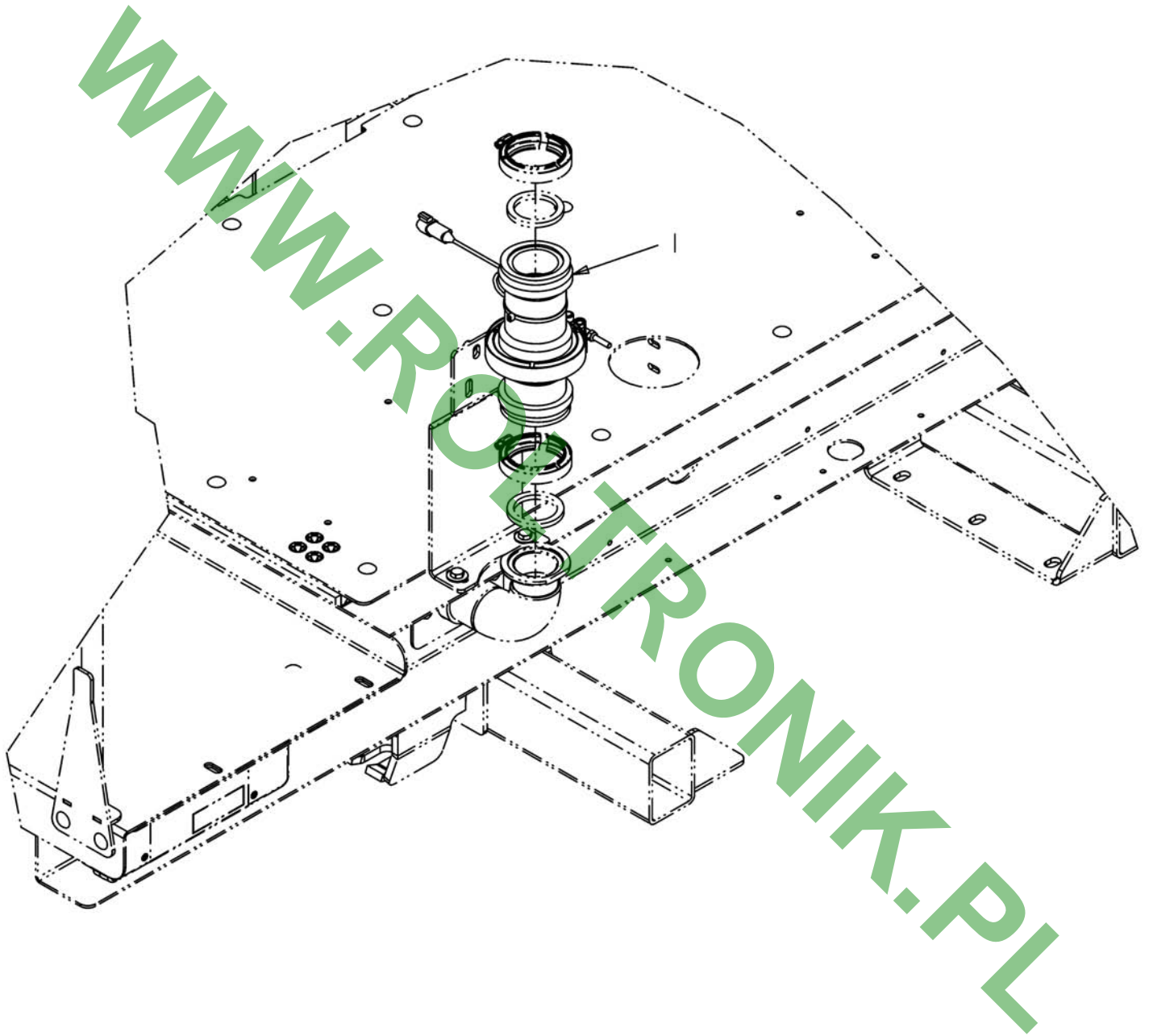
ITEM	PART #	QTY	DESCRIPTION	COMMENTS
1	AG000773	2	GASKET 2.00 EPDM	
2	AG056270	1	CONNECTOR-1.00FLANGE X.75BARB	
3	AG056275	2	GASKET 1.00 EPDM MANIFOLD	[A]
4	AG056778	2	CLAMP 1.00	
5	AG134357	1	TEE-220FLG X 100FLF X 220FLG	
6	AG522894	2	CONN-2.00 FLG X2.00 HOSE BARB	
7	AG522895	2	CLAMP-WORM SCREW,2.00,SS	
8	AG727427	1	VALVE-RLF,PRESS,150PSI,1FLX1FL	
	FOOTNOTE [A]		IDENTIFIED BY WHITE BAR ON SIDE	

WWW.ROLTRONIK.PL



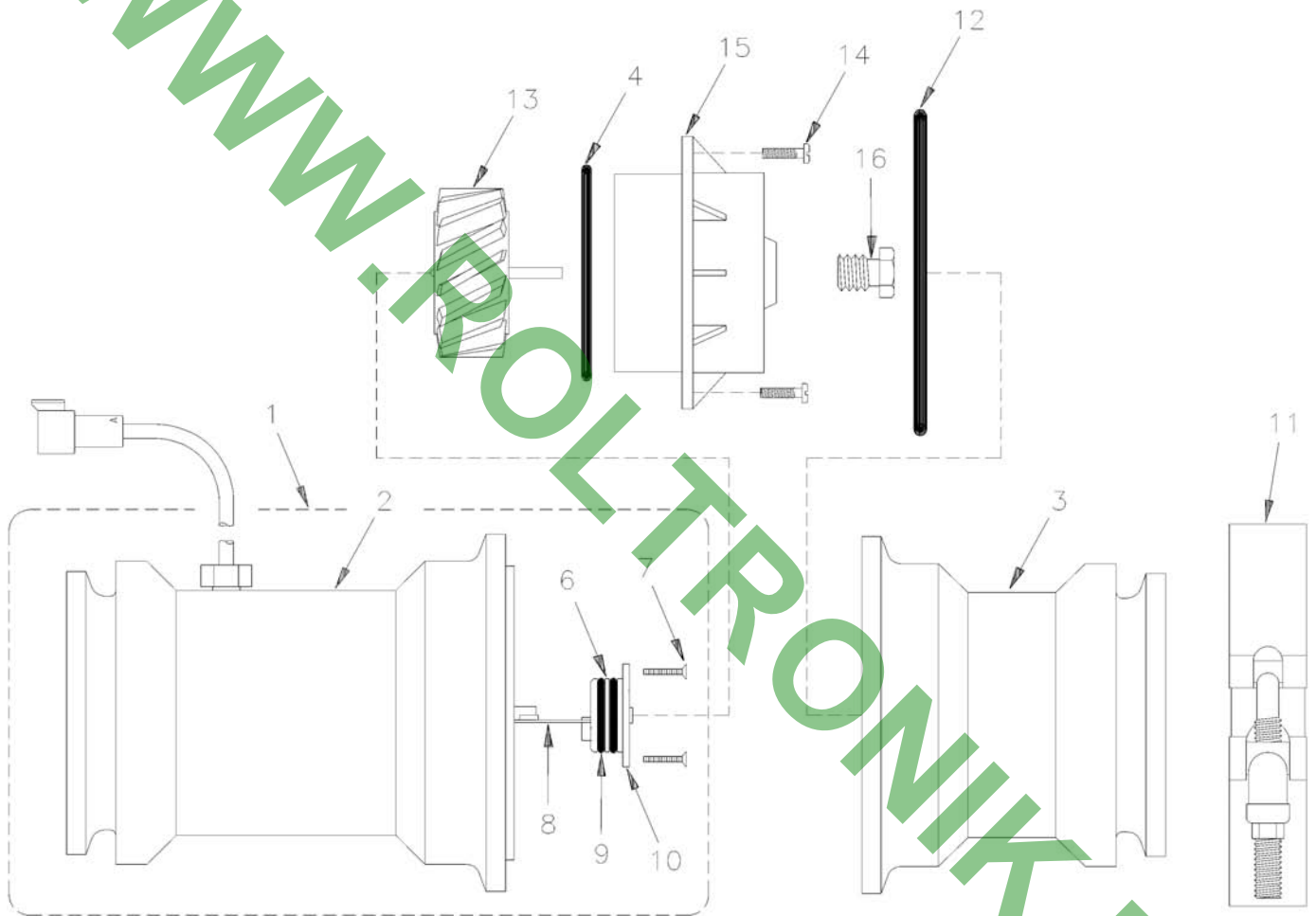
ITEM	PART #	QTY	DESCRIPTION	COMMENTS
1	AG129187	AR	PIPE SEALANT-POLY SEAL	
2	AG522699	1	VALVE-CHECK,2.00NPT,150PSI	
3	AG523524	2	ADPTR-2.0FLG,FPX2.0MPT,316SS	

WWW.ROLTRONIK.PL

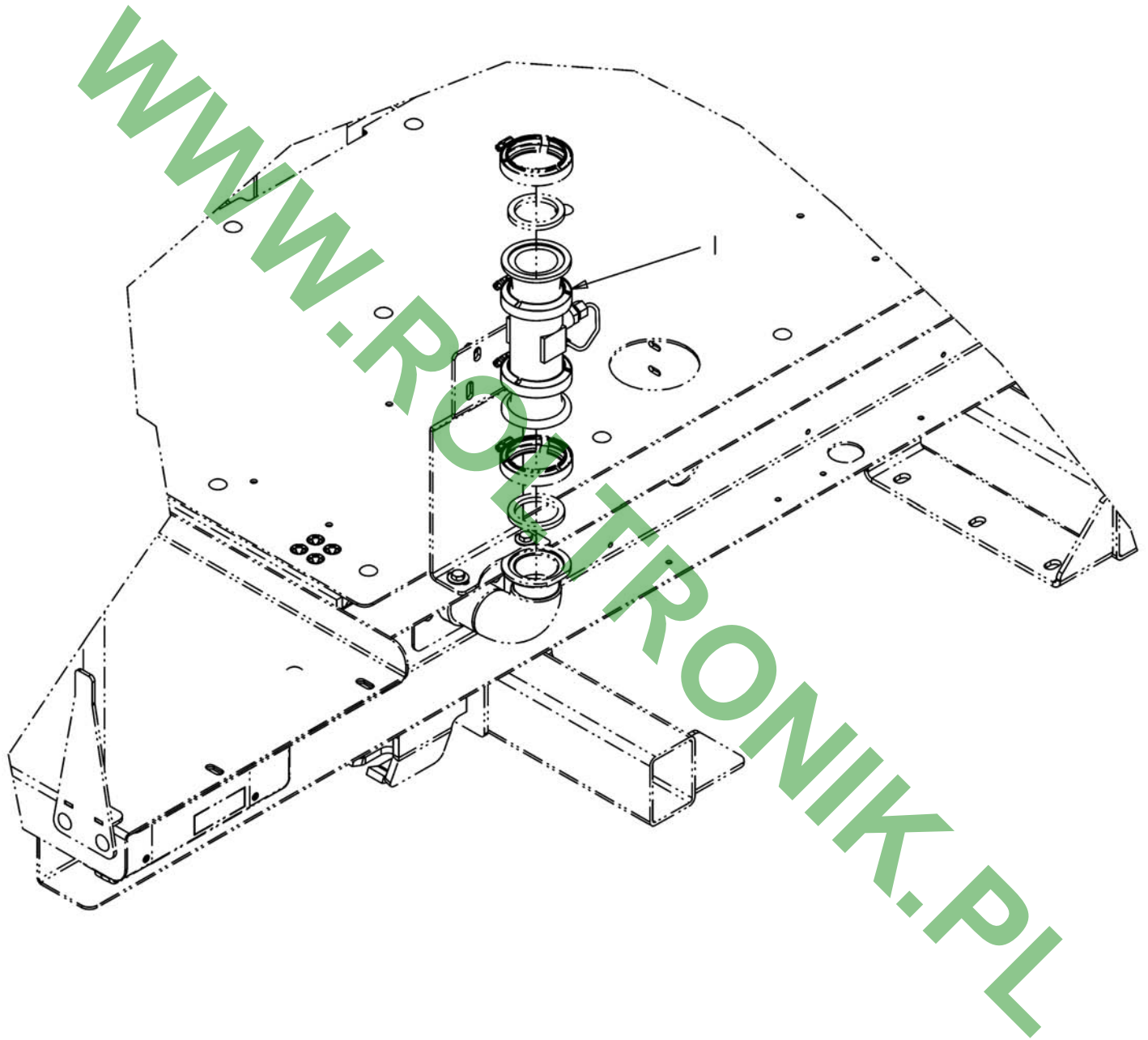


ITEM	PART #	QTY	DESCRIPTION	COMMENTS
1	AG523166	1	FLOWMETER-2.00,140PPG,12V	SEE PAGE 2-23

WWW.ROLTRONIK.PL

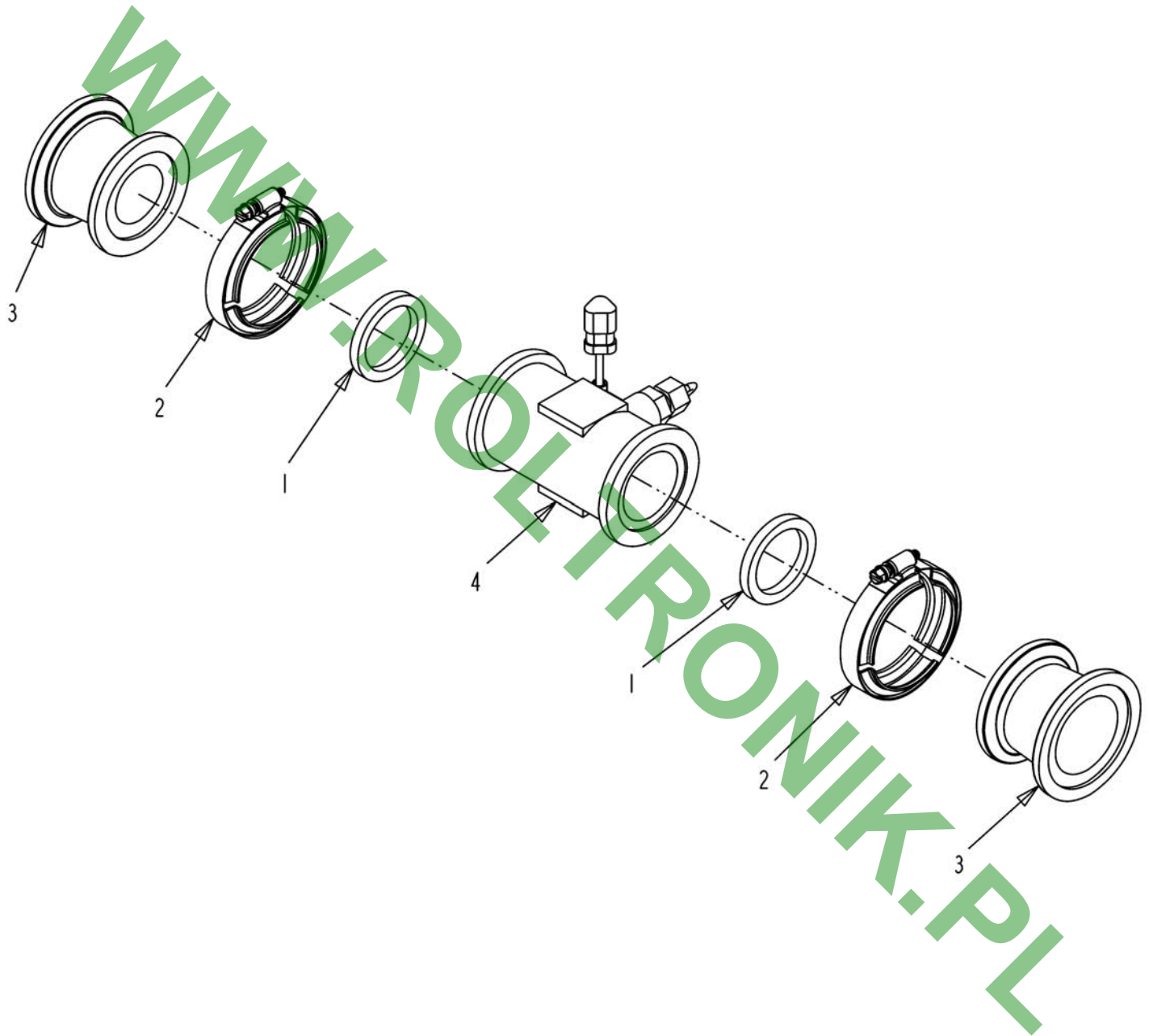


ITEM	PART #	QTY	DESCRIPTION	COMMENTS
1	AG060085	1	OUTLET HSG ASM	
2	AG059106	1	OUTLET HOUSING	
3	AG714982	1	HUB HOUSING	
4	AG714998	1	O RING VITON	
6	AG060056	1	NUT-JAM,LH 523481	
7	AG714986	1	SCREW 2-56X0.50 FLAT HD SS	
8	AG724790	1	PC ASM	
9	AG714988	1	O RING VITON	
10	AG714989	1	END BEARING ASM	
11	AG714990	1	RETAINER CLAMP	
12	AG714991	1	O RING VITON	
13	AG714992	1	TURBINE RFM100	
14	AG714993	1	SCREW 6-20X0.50 PAN HD SS	
15	AG714994	1	TURBINE HUB/BRG ASM	[A]
16	AG714995	1	TURBINE STUD ASM	
	FOOTNOTE [A]		THIS PART CONTAINS BUSHING WHICH IS PRESSED IN	
	FOOTNOTE [A]		BUSHING NOT AVAILABLE SEPARATEY PER RAVEN	



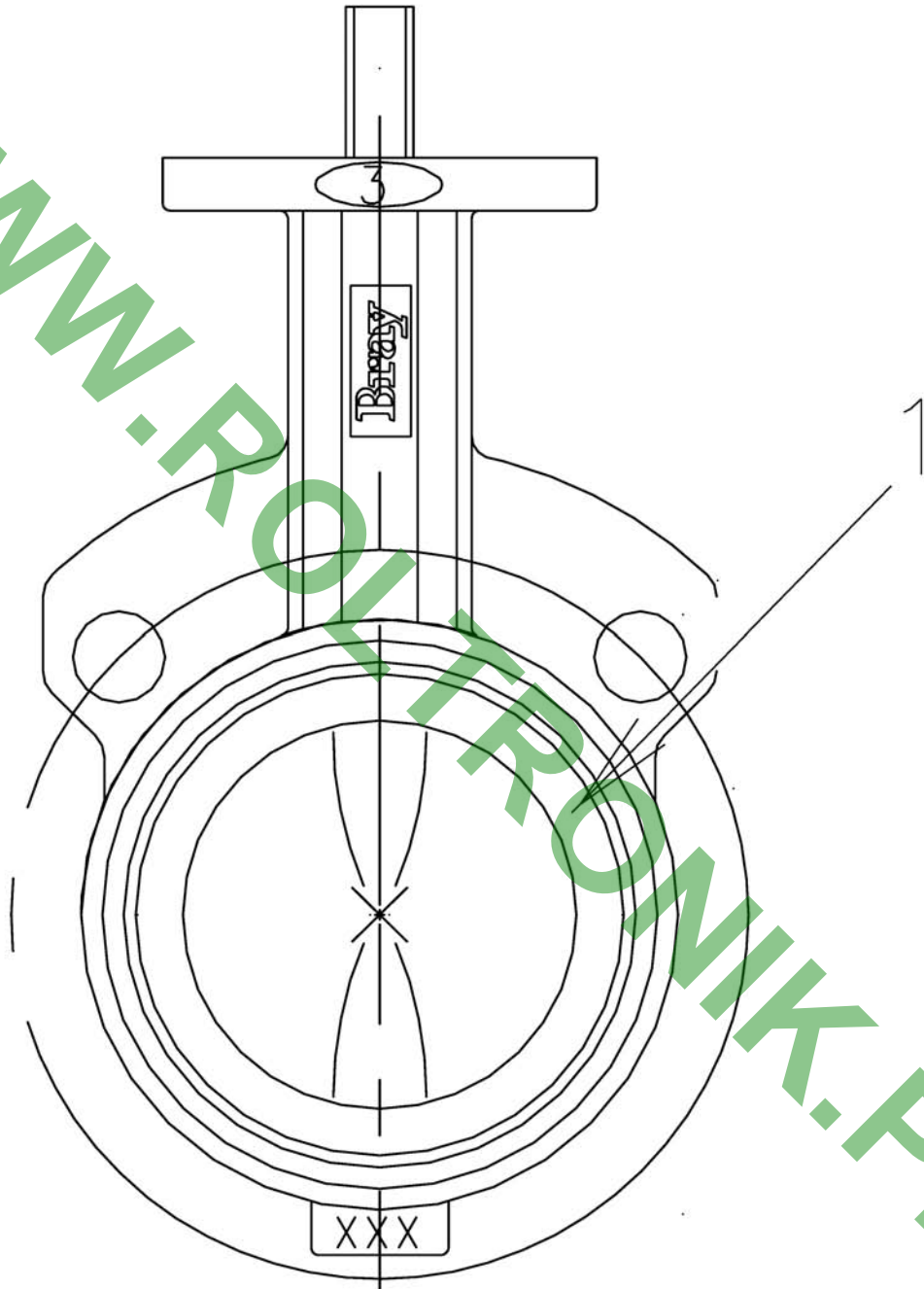
ITEM	PART #	QTY	DESCRIPTION	COMMENTS
1	AG135911	1	FLWMTR ASM-RFM60P,2.00FP FLG	SEE PAGE 2-25

WWW.ROLTRONIK.PL



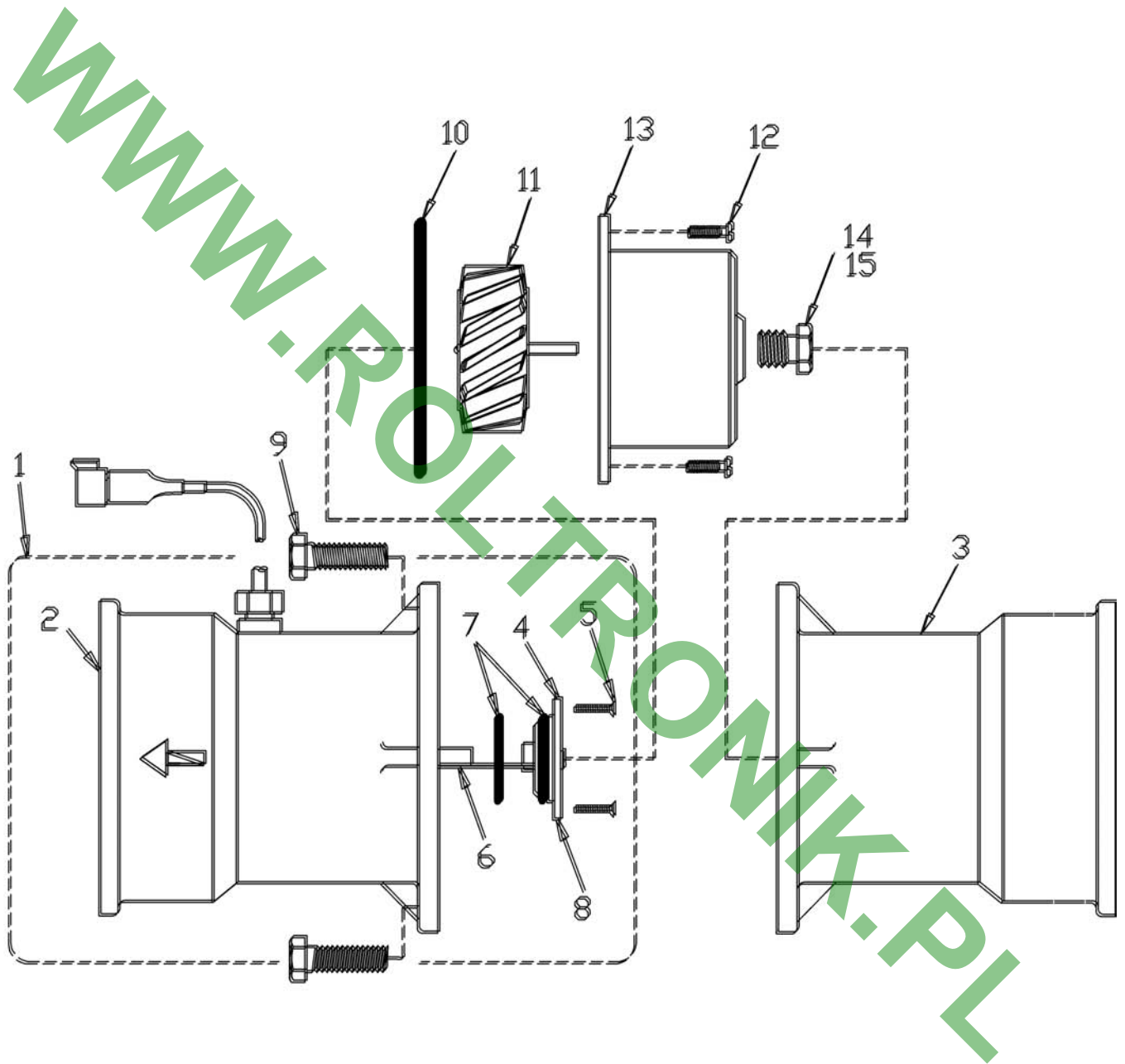
ITEM	PART #	QTY	DESCRIPTION	COMMENTS
1	AG000772	2	GASKET 1.50 EPDM	
2	AG056785	2	CLAMP 2.00 FLANGE	
3	AG057575	2	COUPLING,FLANGE 2.00FPX2.00	[A]
4	AG128771	1	FLWMTR-2.00SP FLG,RFM60P,12V	SEE PAGE 2-28
	FOOTNOTE [A]		OUTSIDE DIMENSIONS ON THE END OF THE FLANGE ARE 3 9/32INCH	
	FOOTNOTE [A]		ON LARGE END AND SMALL END IS 3 1/16 INCH	

WWW.ROLTRONIK.PL



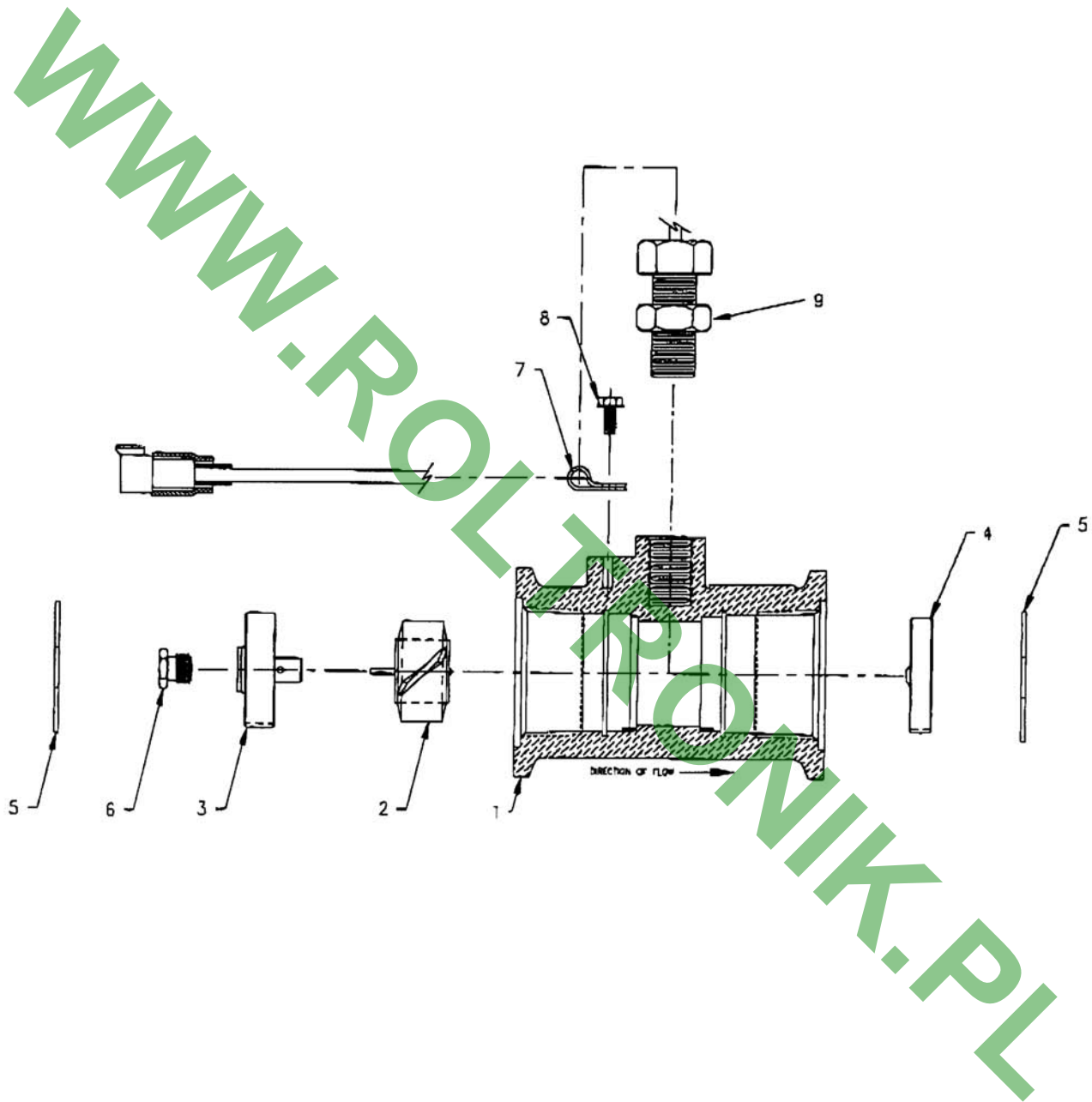
ITEM	PART #	QTY	DESCRIPTION	COMMENTS
REF	AG717132 FOOTNOTE [A] FOOTNOTE: FOOTNOTE:	-	KIT-REPAIR, VALVE 3.00 AG723074 VITON REPAIR KIT FOR REPAIR KIT USE AG717132 FOR VITON REPAIR KIT USE AG723074	[A]

WWW.ROLTRONIK.PL



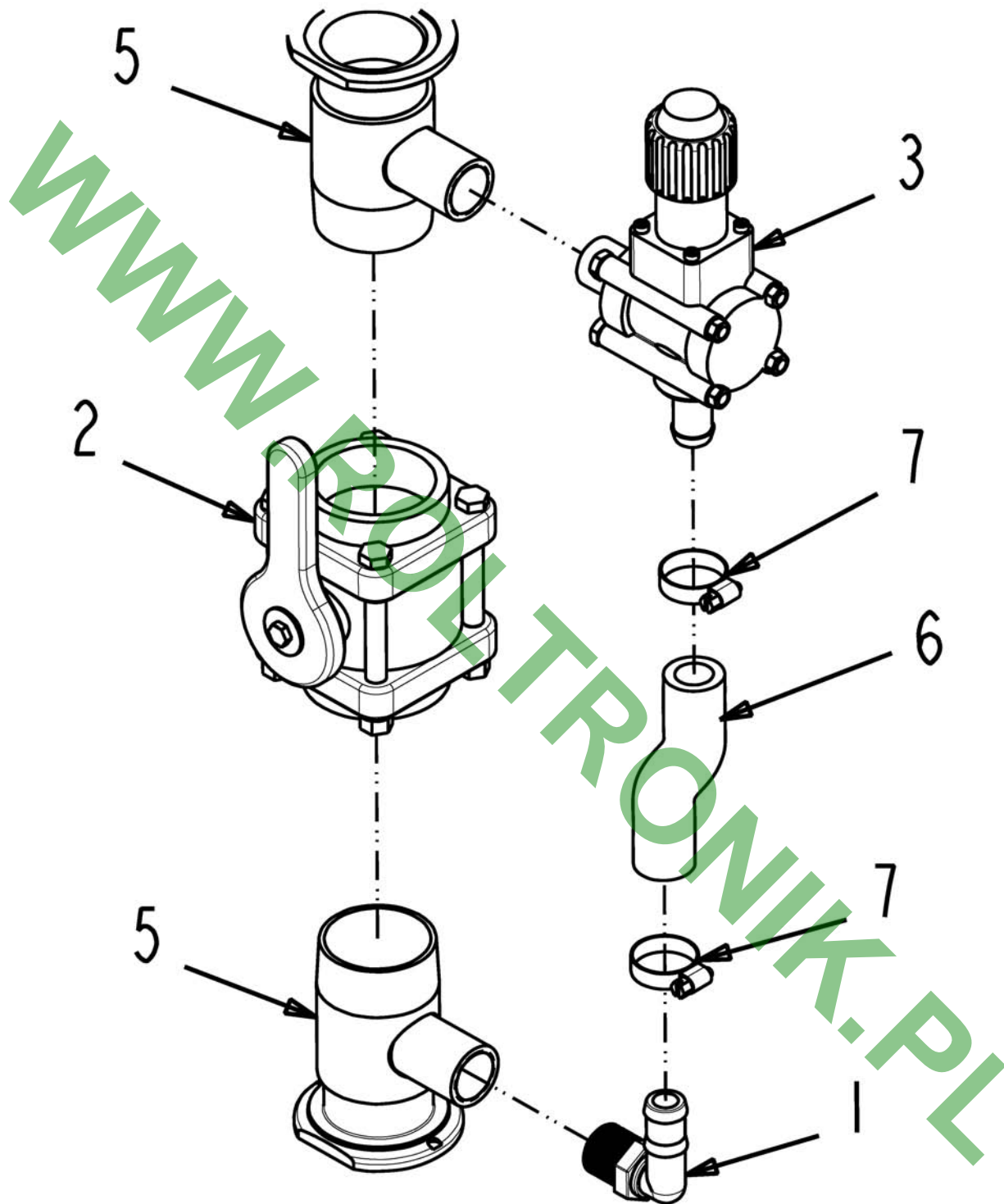
ITEM	PART #	QTY	DESCRIPTION	COMMENTS
1	AG060083	1	SENSOR HSG ASM	
2	AG060084	1	SENSOR HSG	
3	AG711934	1	HUB HOUSING	
4	AG724793	1	END BEARING/PC ASM	
5	AG711226	1	SCREW #2-56 X .31LG FLAT HD SS	
6	AG724790	1	PC ASM	
7	AG708715	1	O RING VITON	
8	AG050394	1	END PLATE	
9	AG710655	1	BOLT HHD .25-20X1 IN SS R/B562064	
10	AG709343	1	O RING VITON RFM200	
11	AG722818	1	TURBINE RFM 200	
12	AG711903	1	SCREW #4-40 X .37LG PAN HD SCS	
13	AG722819	1	TURBINE HUB/BEARING ASM	
14	AG709344	1	STUD W/BEARING	
15	AG714996	1	THREAD SEAL	

WWW.ROLTRONIK.PL



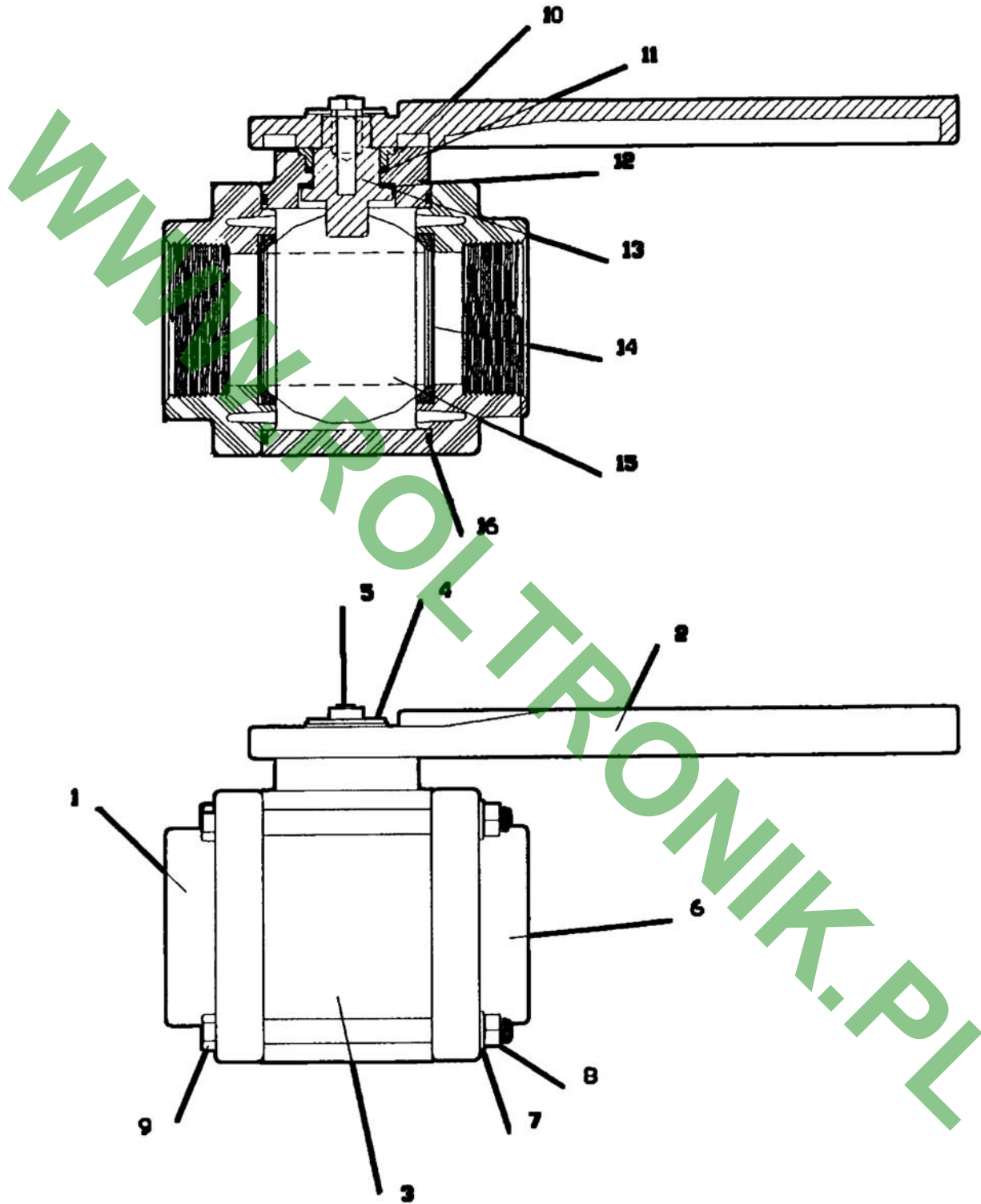
ITEM	PART #	QTY	DESCRIPTION	COMMENTS
1	AG132375	1	BODY, RFM60P	
2	AG723606	1	ROTOR/MAGNET ASSEMBLY	
3	AG722268	1	HUB/BEARING ASM	
4	AG724335	1	HUB ASM RFM60	
5	AG722270	1	RING-RETAINING INTERNAL	
6	AG709339	1	TURBINE STUD W/BRG	
7	AG132376	1	CLAMP, CABLE	
8	AG132377	1	SCREW	
9	AG132378	1	SENSOR	

WWW.ROLTRONIK.PL

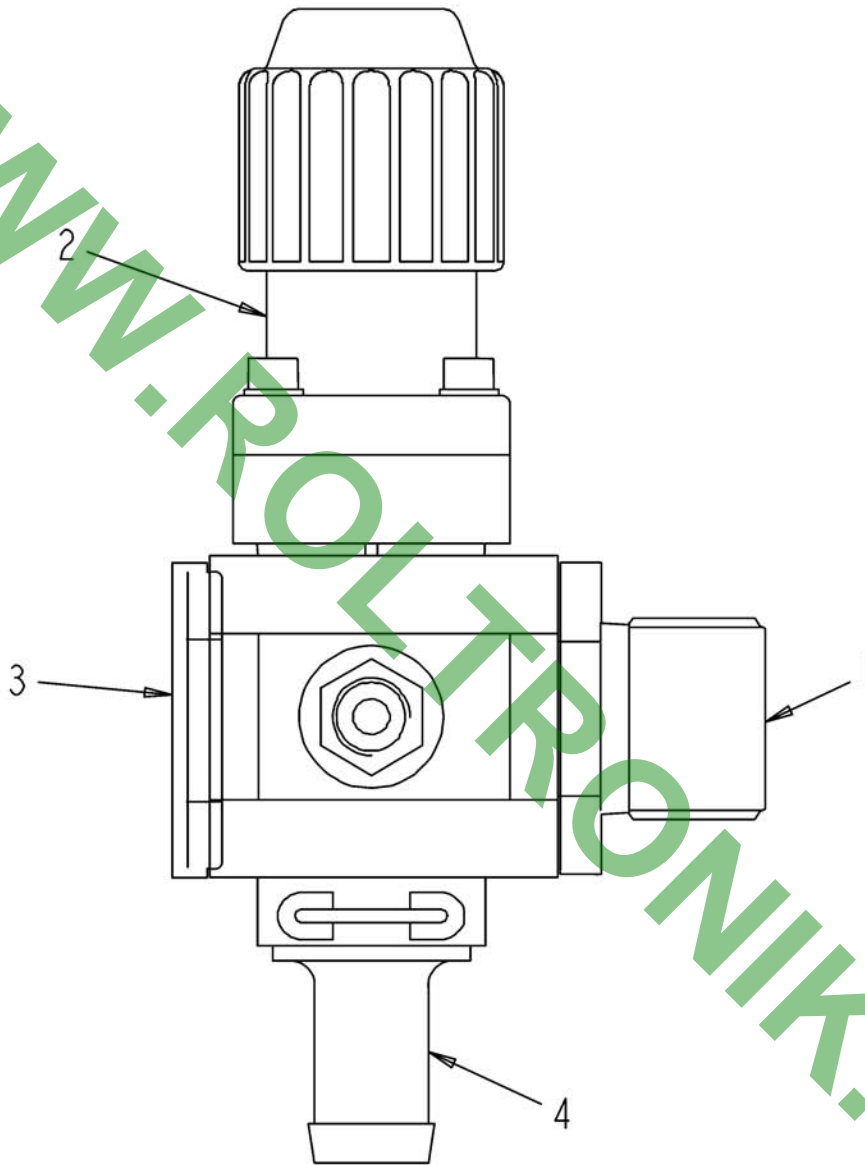


ITEM	PART #	QTY	DESCRIPTION	COMMENTS
1	AG051142	1	ELBOW 90D 0.75NPTX0.75 BARB PP	
2	AG056146	1	VALVE-2IN,FULL PORT	SEE PAGE 2-30
3	AG123068	1	VALVE ASM-REGULATING, PRESSURE	SEE PAGE 2-31
4	AG129187	-	PIPE SEALANT-POLY SEAL	
5	AG262382	2	TEE-PRESS RELIEF, FLOWMETER	
6	AG513385	-	HOSE, MED. PRESS 0.75 2BRD EPDM [BULK: 0.583 FT]	
7	AG561229	2	CLAMP 0.68-1.25 HOSE 12HS	

WWW.ROLTRONIK.PL

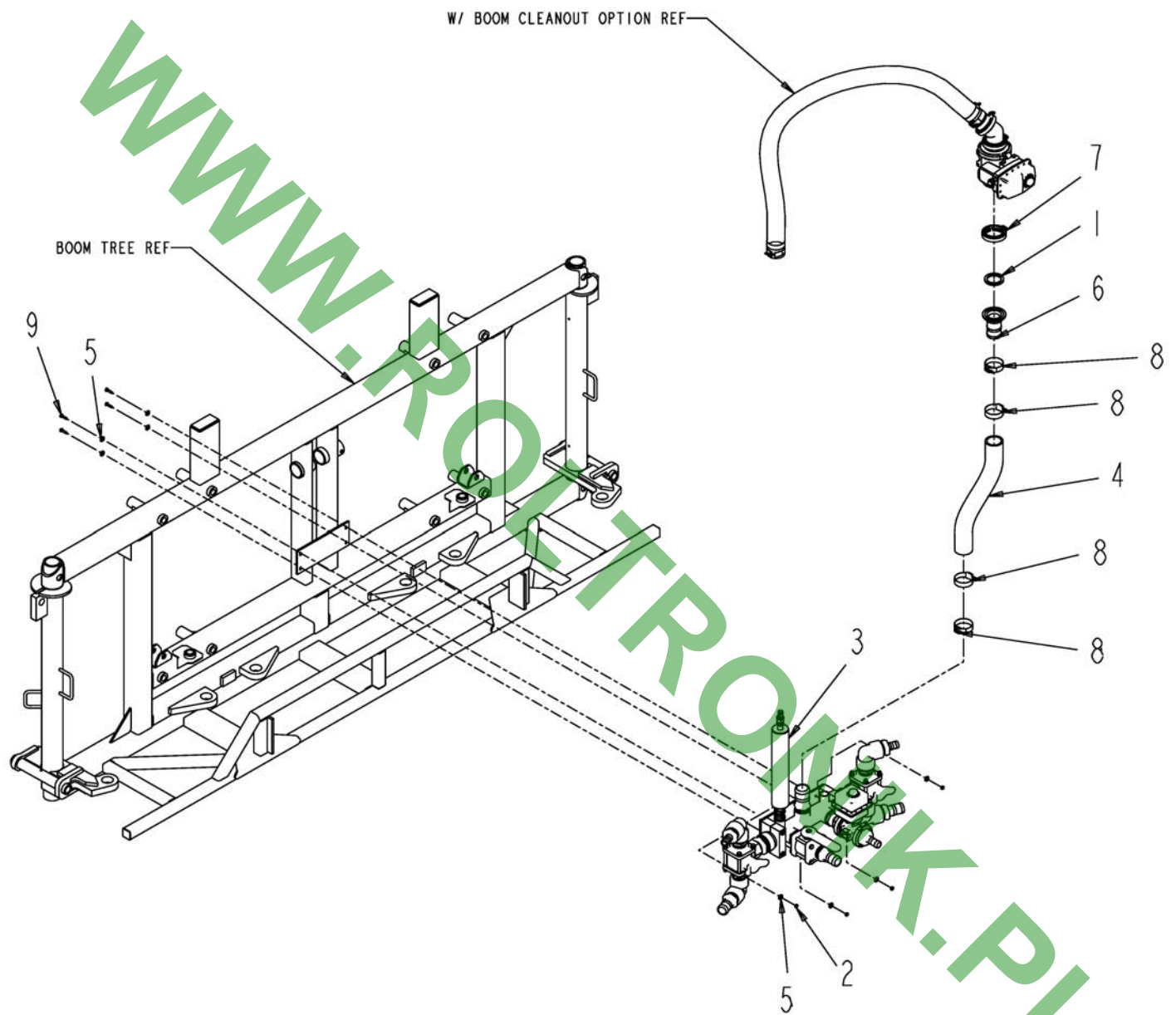


ITEM	PART #	QTY	DESCRIPTION	COMMENTS
1	AG051822	1	NOZZLE 1/8WFF 5.5 FLAT SPRAY	
2	AG000796	1	HANDLE 2&3	
3	AG007578	1	BODY	
5	AG059011	1	BOLT-.32X1 UNSLOTTED HHD	
6	AG054822	1	PLATE- END 2.00 FULL PORT 3WAY	
7	AG054234	4	BODY LOCKWASHER 3/8	
8	AG054235	4	BODY NUT 3/8-16SS	
9	AG053860	4	BOLT SS BODY 0.37X4.50	
10	AG000801	1	BUSHING UPPER OR LOWER STEM	
11	AG000803	1	O-RING VITON	
12	AG054488	3	THRUST WASHER 3 IN	
13	AG000795	1	STEM V25151	
14	AG006581	2	BALL SEAT	
15	AG007577	1	BALL FOR V-200-FP-VA-200FB	[A]
16	AG006578	2	VALVE BODY O-RING VITON	
	FOOTNOTE [A]		REPLACED BY PART # AG000794	
	FOOTNOTE:		4 BOLT VALVE INSTEAD OF A 6 BOLT.	
	FOOTNOTE:		SQUARE HEAD	



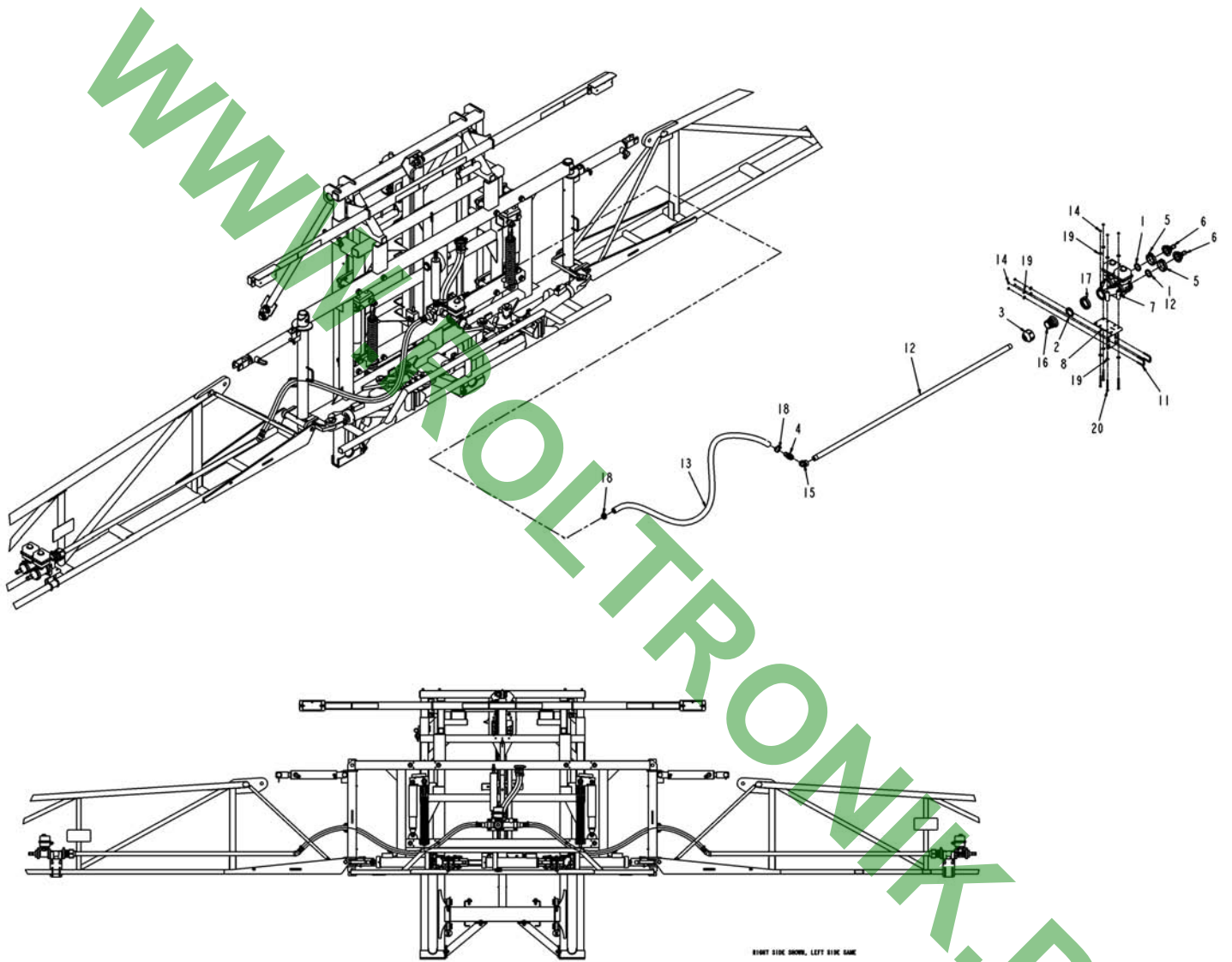
ITEM	PART #	QTY	DESCRIPTION	COMMENTS
1	AG123071	-	ADAPTER-INLET,MALE	
2	AG520386	-	VALVE-RELIEF	
3	AG123070	-	ADAPTER-CLOSED	
4	AG123072	-	HOSE BARB 3/4 IN	
5	AG123073	-	ORING VITON	

WWW.ROLTRONIK.PL

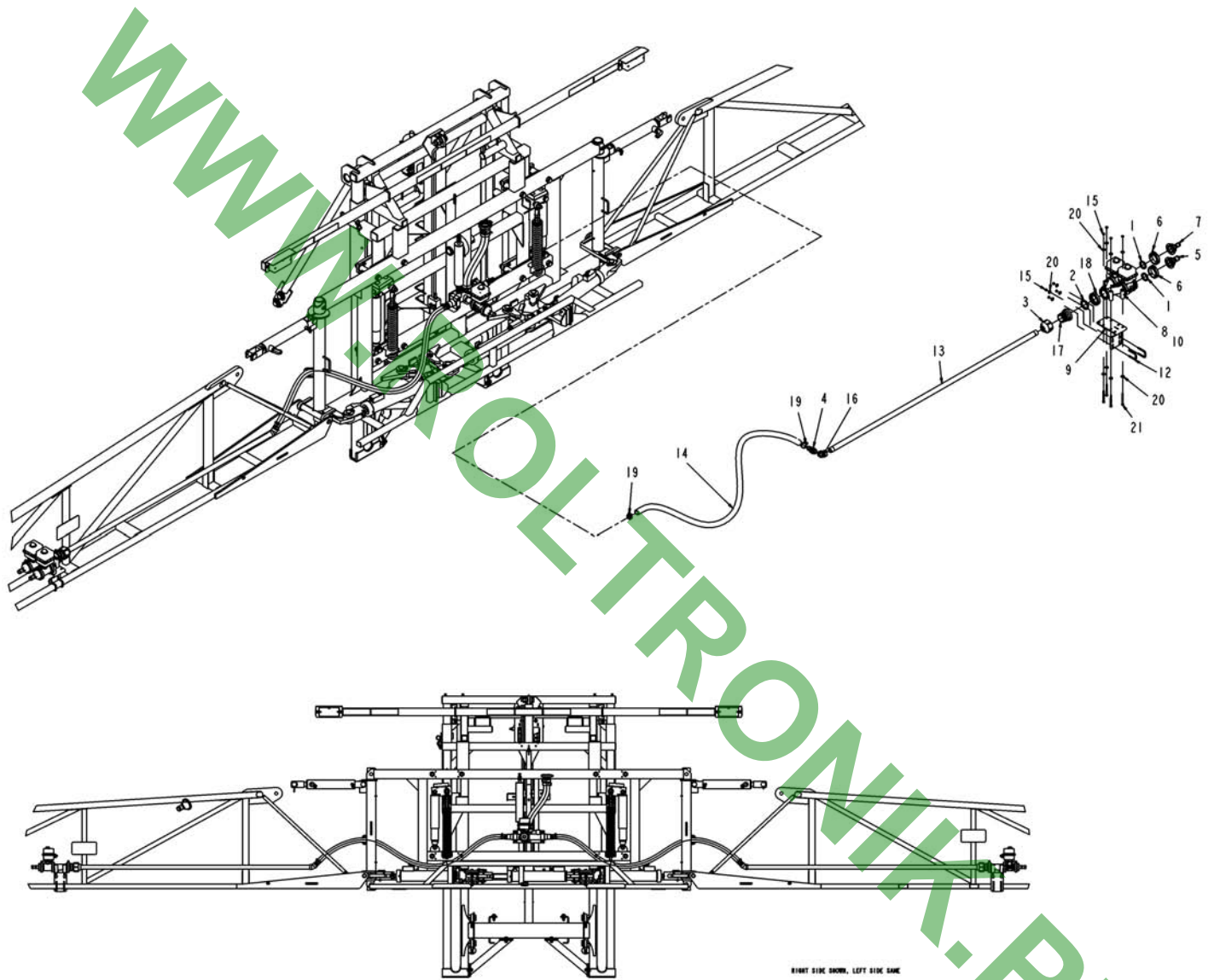


ITEM	PART #	QTY	DESCRIPTION	COMMENTS
1	AG000773	1	GASKET 2.00 EPDM	
2	AG027275	4	NUT,NY-LOCK 1/4-20 SS HX (P)	
3	AG424524	1	MANF ASM-BOOM,W/BALL VLV,HV	SEE PAGE 2-35
4	AG511722	-	HOSE-2.00,WIRE BRAID,EPDM [BULK: 1.750 FT]	
5	AG515121	8	WASHER 0.25 FL SS REG	
6	AG522894	1	CONN-2.00 FLG X2.00 HOSE BARB	
7	AG522895	1	CLAMP-WORM SCREW,2.00,SS	
8	AG561630	4	CLAMP 2.28-2.59HOSE VOSS-250SS	
9	AG562064	4	BOLT 0.25-20NCX 1.00 S.S. HHD	[A]
	FOOTNOTE [A]		STAINLESS STEEL	

WWW.ROLTRONIK.PL

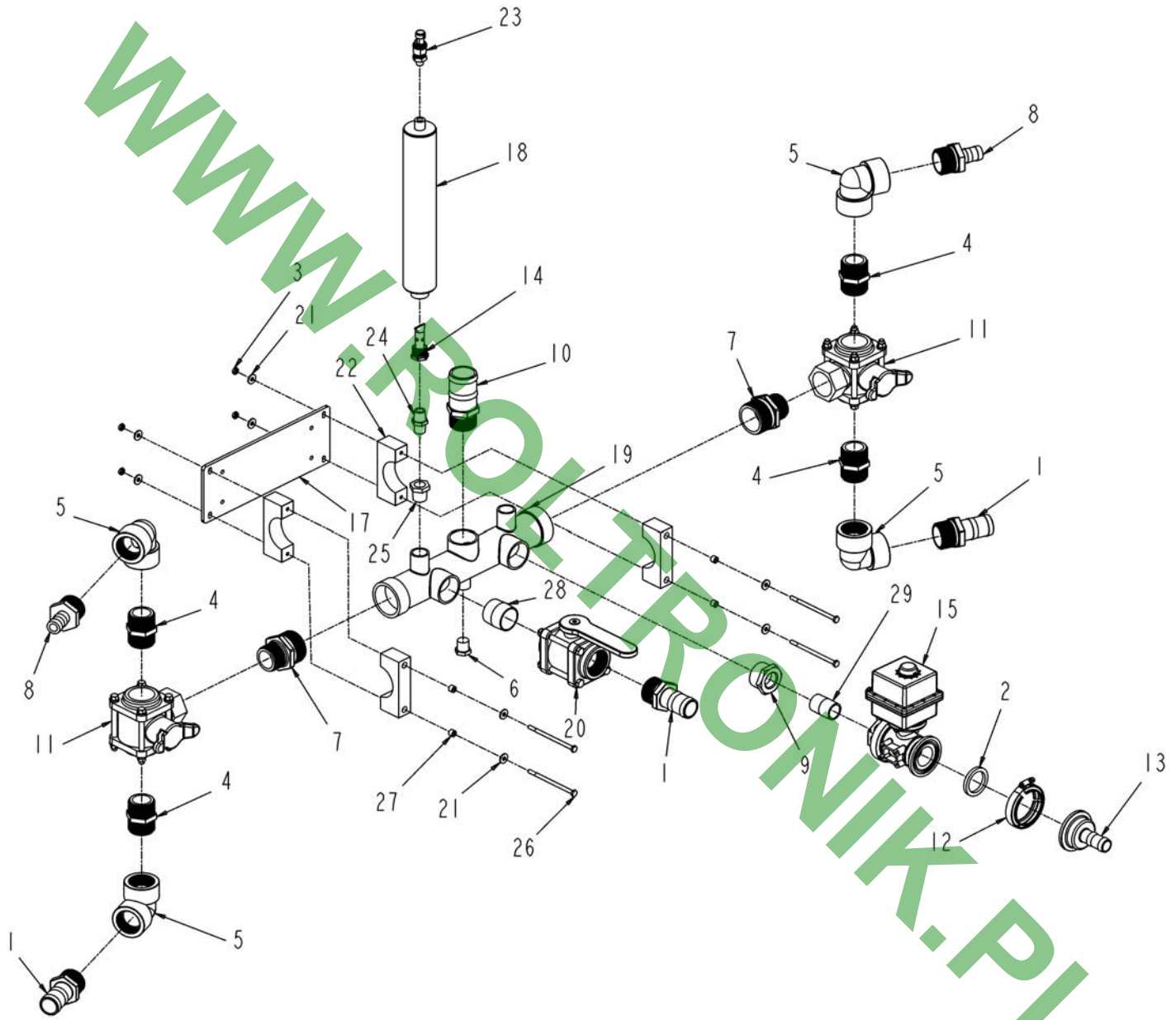


ITEM	PART #	QTY	DESCRIPTION	COMMENTS
1	AG000772	4	GASKET 1.50 EPDM	
2	AG000773	2	GASKET 2.00 EPDM	
3	AG050264	2	COUPLG RED 1.00X 2.00NPT POLYP	
4	AG051059	2	BARB-HOSE,1.00MNPTX1.00BARB,PP	
5	AG056785	4	CLAMP 2.00 FLANGE	
6	AG057593	4	CONNECTOR 2.00X1.00HOSE	
7	AG121882	2	MANIFOLD ASM-Y,1.00FP FLG,ELEC	SEE PAGE 2-36
8	AG122147	2	BRKT WLDMT-MTG,Y MANF,BM PLMB	
9	WR122591	1	HARN INSTL-ELEC BM SECT,90/100	SEE PAGE 6-17
10	AG129187	AR	PIPE SEALANT-POLY SEAL	
11	AG231204	4	BOLT-U .31-18X1.88X2.63	[A]
12	AG234489	2	TUBE 77.00 SECTION FEED	
13	AG511528	-	HOSE 1.00 2BRD EPDM [BULK: 13.334 FT]	
14	AG516403	16	NUT 0.31-18NC HEX ESNA SS	
15	AG519838	2	ELBOW-PIPE,1.00FNPT,45D,PP	
16	AG522893	2	CONNECTOR-2.00FLGX2.00NPT	
17	AG522895	2	CLAMP-WORM SCREW,2.00,SS	
18	AG561213	4	CLAMP 0.81-1.50 HOSE 16HS	
19	AG562074	24	WASHER FL 0.31 SS REG	
20	AG708300	8	BOLT 0.31-18NCX 3.50 SS HHD	
	FOOTNOTE [A]		WASHER AG562074, NUT AG516403	

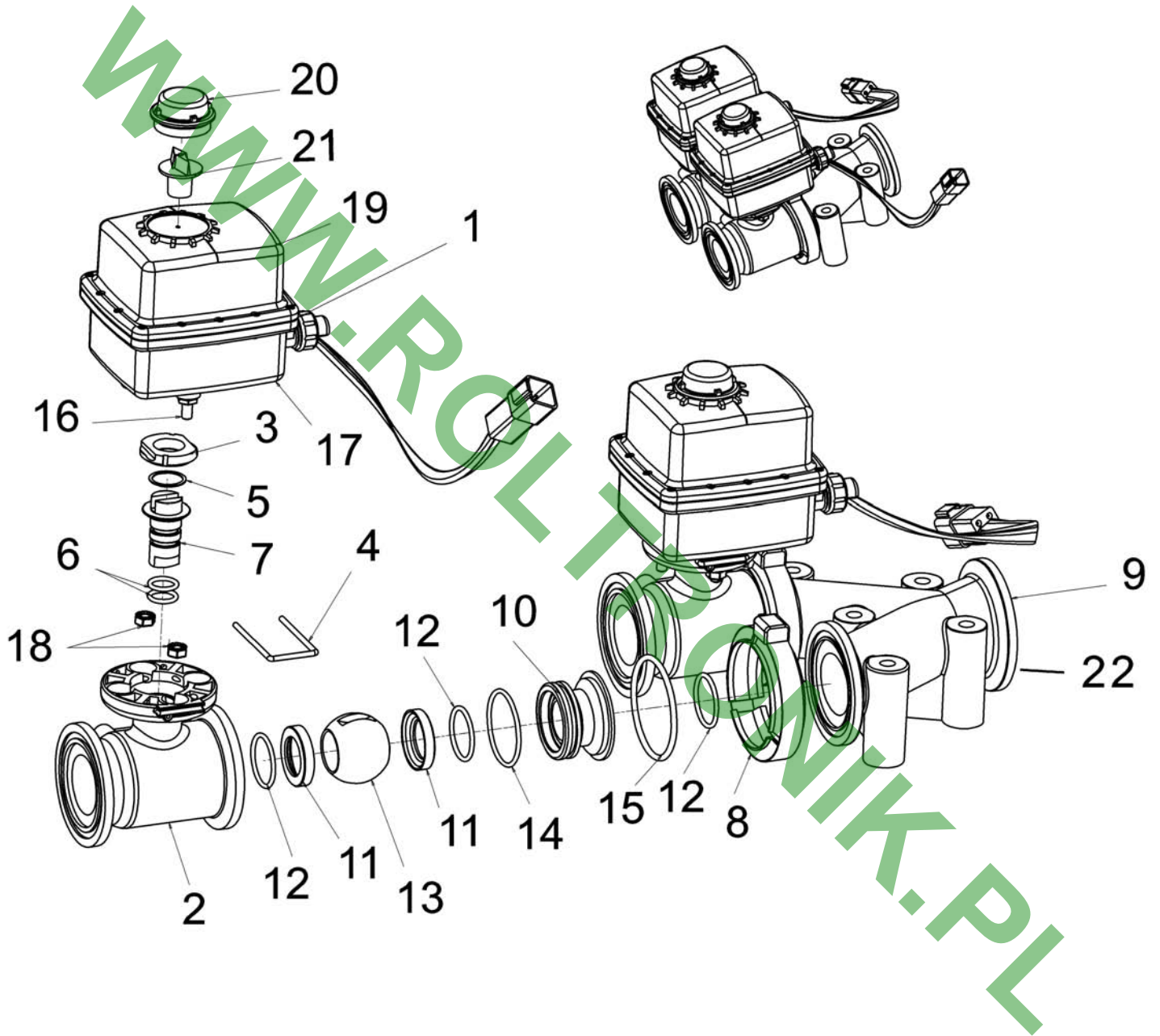


RIGHT SIDE SHOWN, LEFT SIDE SAME

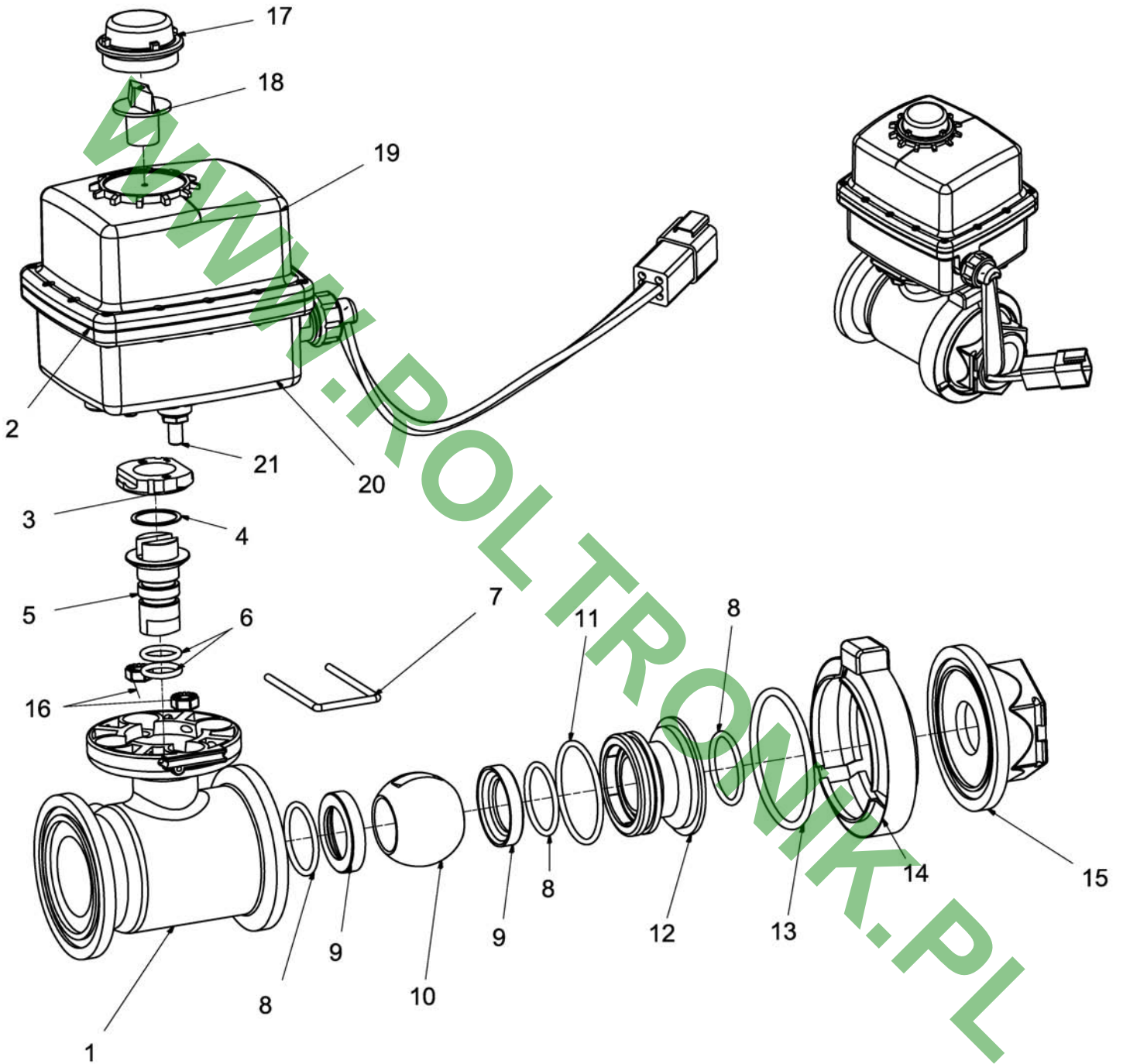
ITEM	PART #	QTY	DESCRIPTION	COMMENTS
1	AG000772	4	GASKET 1.50 EPDM	
2	AG000773	2	GASKET 2.00 EPDM	
3	AG050264	2	COUPLG RED 1.00X 2.00NPT POLYP	
4	AG051059	2	BARB-HOSE,1.00MNPTX1.00BARB,PP	
5	AG056289	2	CONNECTOR 2.00FLGX1.25HOSE	
6	AG056785	4	CLAMP 2.00 FLANGE	
7	AG057593	4	CONNECTOR 2.00X1.00HOSE	
8	AG121882	2	MANIFOLD ASM-Y,1.00FP FLG,ELEC	SEE PAGE 2-36
9	AG122147	2	BRKT WLDMT-MTG,Y MANF,BM PLMB	
10	WR122591	1	HARN INSTL-ELEC BM SECT,90/100	SEE PAGE 6-17
11	AG129187	AR	PIPE SEALANT-POLY SEAL	
12	AG231204	4	BOLT-U .31-18X1.88X2.63	[A]
13	AG234489	2	TUBE 77.00 SECTION FEED	
14	AG511528	-	HOSE 1.00 2BRD EPDM [BULK: 13.334 FT]	
15	AG516403	16	NUT 0.31-18NC HEX ESNA SS	
16	AG519838	2	ELBOW-PIPE,1.00FNPT,45D,PP	
17	AG522893	2	CONNECTOR-2.00FLGX2.00NPT	
18	AG522895	2	CLAMP-WORM SCREW,2.00,SS	
19	AG561213	4	CLAMP 0.81-1.50 HOSE 16HS	
20	AG562074	24	WASHER FL 0.31 SS REG	
21	AG708300	8	BOLT 0.31-18NCX 3.50 SS HHD	
	FOOTNOTE [A]		WASHER AG562074, NUT AG516403	



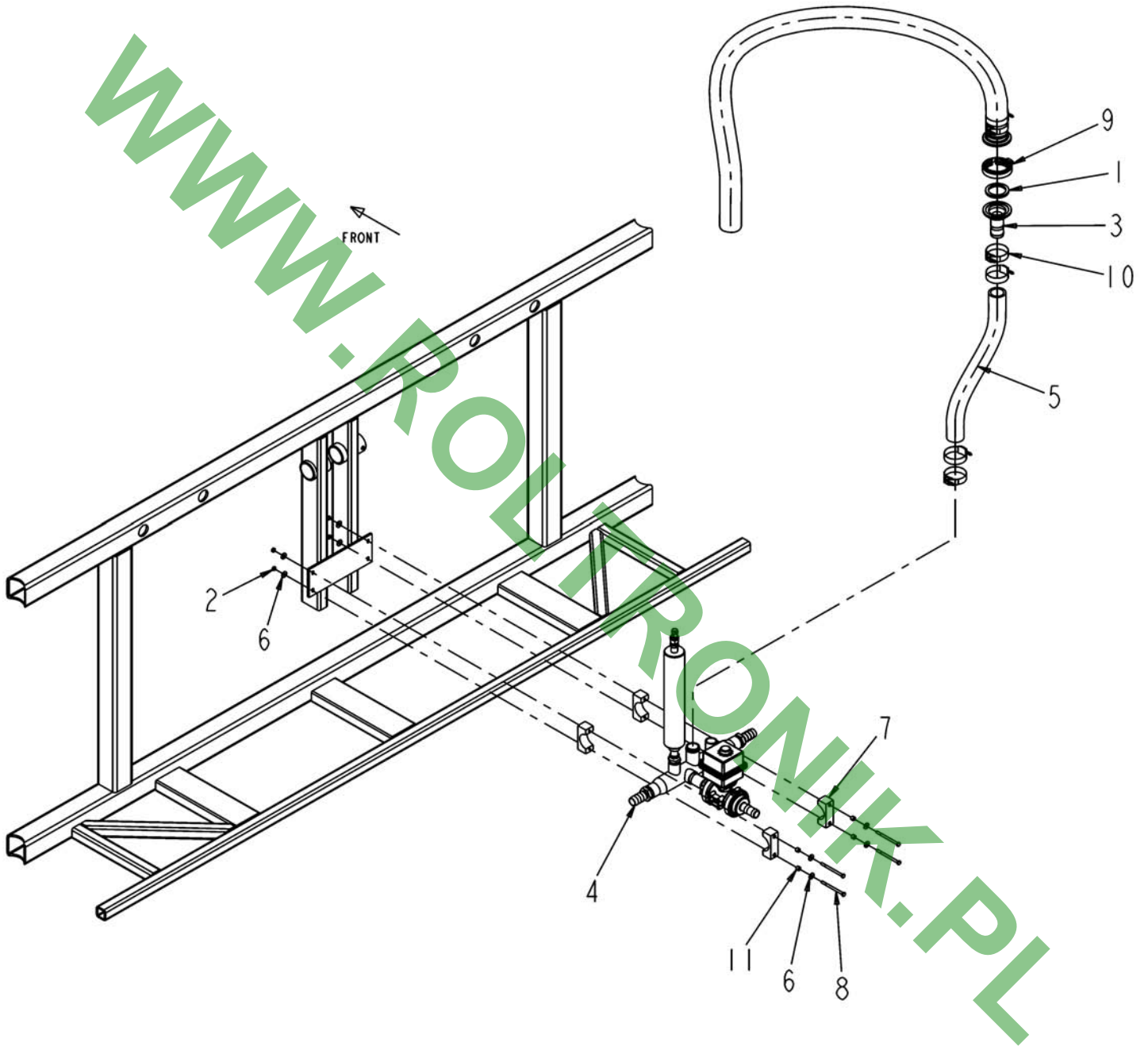
ITEM	PART #	QTY	DESCRIPTION	COMMENTS
1	AG000766	3	BARB-HOSE,1.50MNTTX1.50BARB,PP	
2	AG000772	1	GASKET 1.50 EPDM	
3	AG027275	4	NUT,NY-LOCK 1/4-20 SS HX (P)	
4	AG050253	4	NIPPLE-PIPE,1.50NPTXCLS,PP	
5	AG050275	4	ELBOW-PIPE,1.50FNPT,90D,PP	
6	AG051133	1	PLUG-PIPE,HEX,0.50NPT,PP	
7	AG051439	2	NIPPLE REDUCING 2.00X1.50 P	
8	AG051533	2	BARB-HOSE,1.50MNPTX1.00BARB,PP	
9	AG051894	1	BUSHING 1.50X1.00 304SS	
10	AG052456	1	BARB-HOSE,1.50MNPTX2.00BARB,PP	
11	AG053044	2	VALVE 3-WAY 1.50 SIDELOAD	
12	AG056785	1	CLAMP 2.00 FLANGE	
13	AG057593	1	CONNECTOR 2.00X1.00HOSE	
14	AG106152	1	WLDMT TUBE DIFFUSER	
15	AG121883	1	VALVE-BALL,1.00FP FLGXNPT,ELEC	SEE PAGE 2-37
16	AG129187	AR	PIPE SEALANT-POLY SEAL	
17	AG260508	1	PLATE-MTG,MANIFOLD,HV	
18	AG311914	1	WLDMT ACCUMULATOR	
19	AG326175	1	MANIFOLD WLDMT-HV BOOM CTR,THD	[A]
20	AG513722	1	VLV BALL 1.50 POLY FF	
21	AG515121	8	WASHER 0.25 FL SS REG	
22	AG518340	2	CLAMP 2.50 BLACK POLY (RTG)	[B]
23	AG524270	1	TRANSDUCER-PRES,150 PSI,(MV)	
24	AG553492	1	NIPPLE 0.50NPT CLOSE WR ST PL	
25	AG556424	1	BUSHG 0.75X 0.50NPT HX REDG PL	
26	AG563069	4	BOLT 0.25-20NCX 4.50 SS HHD	
27	AG609777	4	INSERT STAUFF SPACER	[C]
28	AG710515	1	NIPPLE 1.50NPTX1.75CLS 304SS	
29	AG710516	1	NIPPLE 1.00NPTX CLS 304SS	
	FOOTNOTE [A]		CONSISTS OF 1 - AG051573 BUSHING, 1- AG517999 CHECK VALVE, 1 - AG519336 COUPLER	
	FOOTNOTE [B]		THIS PART SHOULD COME WITH 2 SPACERS AG609777	
	FOOTNOTE [B]		AG563069 BOLT, AG515123 NUT, AG515121 FLAT WASHER, AG515122 LK WASHER	
	FOOTNOTE [B]		CLAMPS FOR FEED HOSE 2 WIRE BRAID AG511722-2.5 INCH OD.	
	FOOTNOTE [C]		USED ON AG518339, AG518340 AND AG520133 CLAMP	



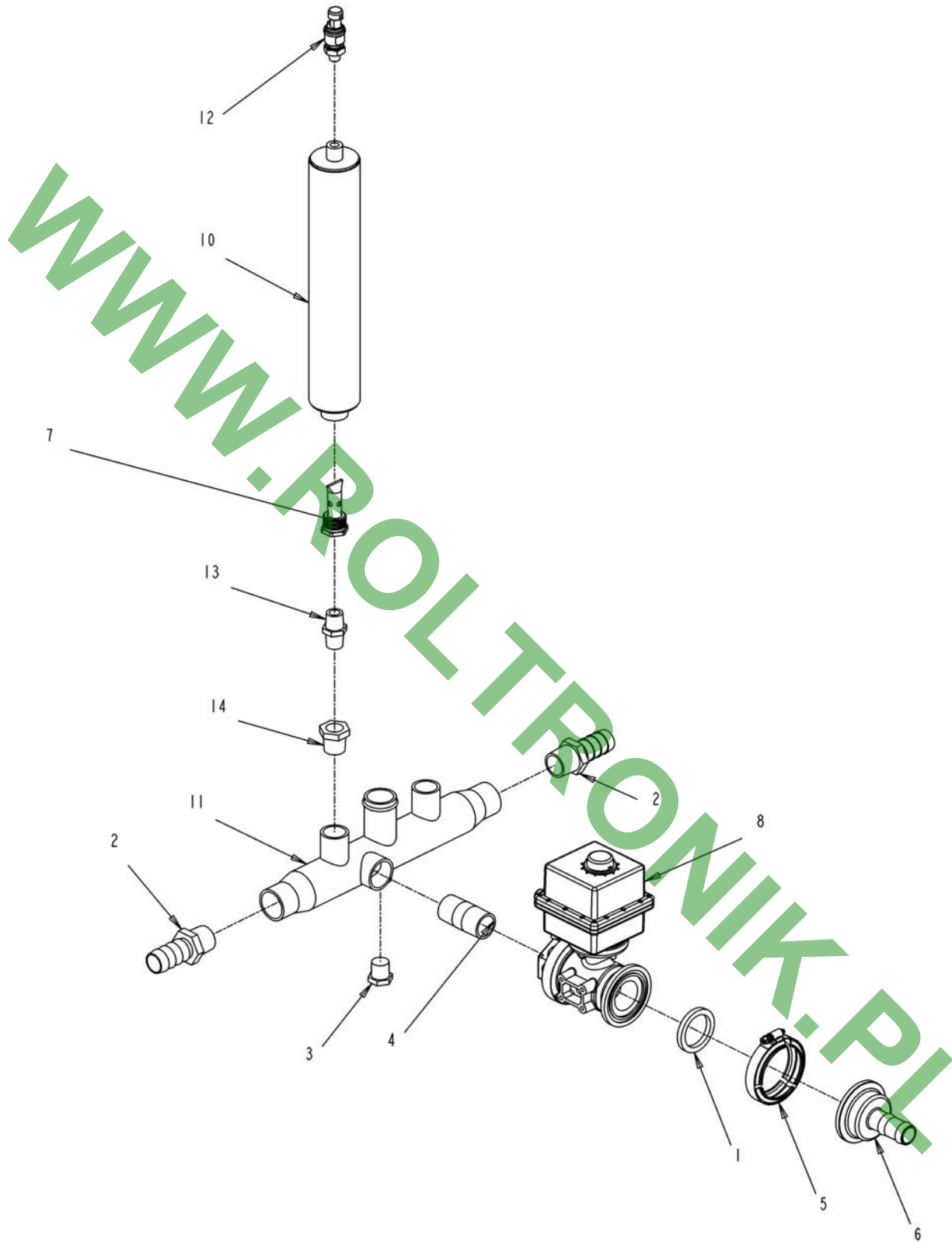
ITEM	PART #	QTY	DESCRIPTION	COMMENTS
REF	AG131739	-	BOARD, CIRCUIT W/CABLE	
REF	AG131748	-	MOTOR, GEAR ASM	
1	AG121929	2	ACTUATOR-000-60-M-9	SEE PAGE 3-21
2	AG121924	2	BODY-VALVE,FLG OUTLET,1.00,2W	[A]
3	AG131731	2	RETAINER, STEM	
4	AG726981	2	PIN / HAIR	
5	AG131732	2	WASHER, THRUST	
6	AG131734	4	O-RING, STEM	
7	AG131733	2	STEM, SS	
8	AG121922	2	CLAMP-V BAND,QX4	
9	AG121930	1	MANIFOLD-Y,2.00FPX2.00SP	
10	AG131738	2	FLANGE	
11	AG131736	4	SEAT, PTFE	
12	AG131735	6	O-RING, SEAT	
13	AG726982	2	BALL / 2-WAY	
14	AG131737	2	O-RING	
15	WR35020	2	ORING-SEAL,VALVE,QC3	
16	AG131747	4	STUD, MOUNTING	
17	AG131746	2	CASE, BOTTOM	
18	AG121926	4	NUT-KEP'S,.50-20NC	
19	AG131745	2	DOME, LID	
20	AG131743	2	DOME, CLEAR	
21	AG131744	2	FLAG	
22	AG000773	1	GASKET 2.00 EPDM	
	FOOTNOTE [A]		FOR REPAIR KIT USE AG060921	
	FOOTNOTE:		FOR INDIVIDUAL VALVE ASSEMBLY USE AG121883	
	FOOTNOTE:		AG121929 - ACTUATOR ONLY	
	FOOTNOTE:		AG060921 - BALL VALVE REPAIR KIT	
	FOOTNOTE:		AG121930 - Y-MANIFOLD	
	FOOTNOTE:		WR35020 OR WR35020 IS THE ROUND O-RING BETWEEN THE VALVE BODY	
	FOOTNOTE:		AND THE Y-MANIFOLD	



ITEM	PART #	QTY	DESCRIPTION	COMMENTS
REF	AG060921	1	KIT/REPAIR,KZ VALVE 121924	
REF	AG131739	-	BOARD, CIRCUIT W/CABLE	
REF	AG131748	-	MOTOR, GEAR ASM	
1	AG121924	1	BODY-VALVE,FLG OUTLET,1.00,2W	[A]
2	AG121929	1	ACTUATOR-000-60-M-9	SEE PAGE 3-21
3	AG131731	1	RETAINER, STEM	
4	AG131732	1	WASHER, THRUST	
5	AG131733	1	STEM, SS	
6	AG131734	2	O-RING, STEM	
7	AG726981	1	PIN / HAIR	
8	AG131735	3	O-RING, SEAT	
9	AG131776	2	COLLECTOR, OIL	
10	AG726982	1	BALL / 2-WAY	
11	AG131737	1	O-RING	
12	AG131738	1	FLANGE	
13	WR35020	1	ORING-SEAL,VALVE,QC3	
14	AG121922	1	CLAMP-V BAND,QX4	
15	AG121925	1	CAP-END,1.00 FNPT	
16	AG121926	2	NUT-KEP'S,.50-20NC	
17	AG131743	1	DOME, CLEAR	
18	AG131744	1	FLAG	
19	AG131745	1	DOME, LID	
20	AG131746	2	CASE, BOTTOM	
21	AG131747	2	STUD, MOUNTING	
	FOOTNOTE [A]		FOR REPAIR KIT USE AG060921	
	FOOTNOTE:		AG121929 - ACTUATOR ONLY	
	FOOTNOTE:		AG060921 - BALL VALVE REPAIR KIT	

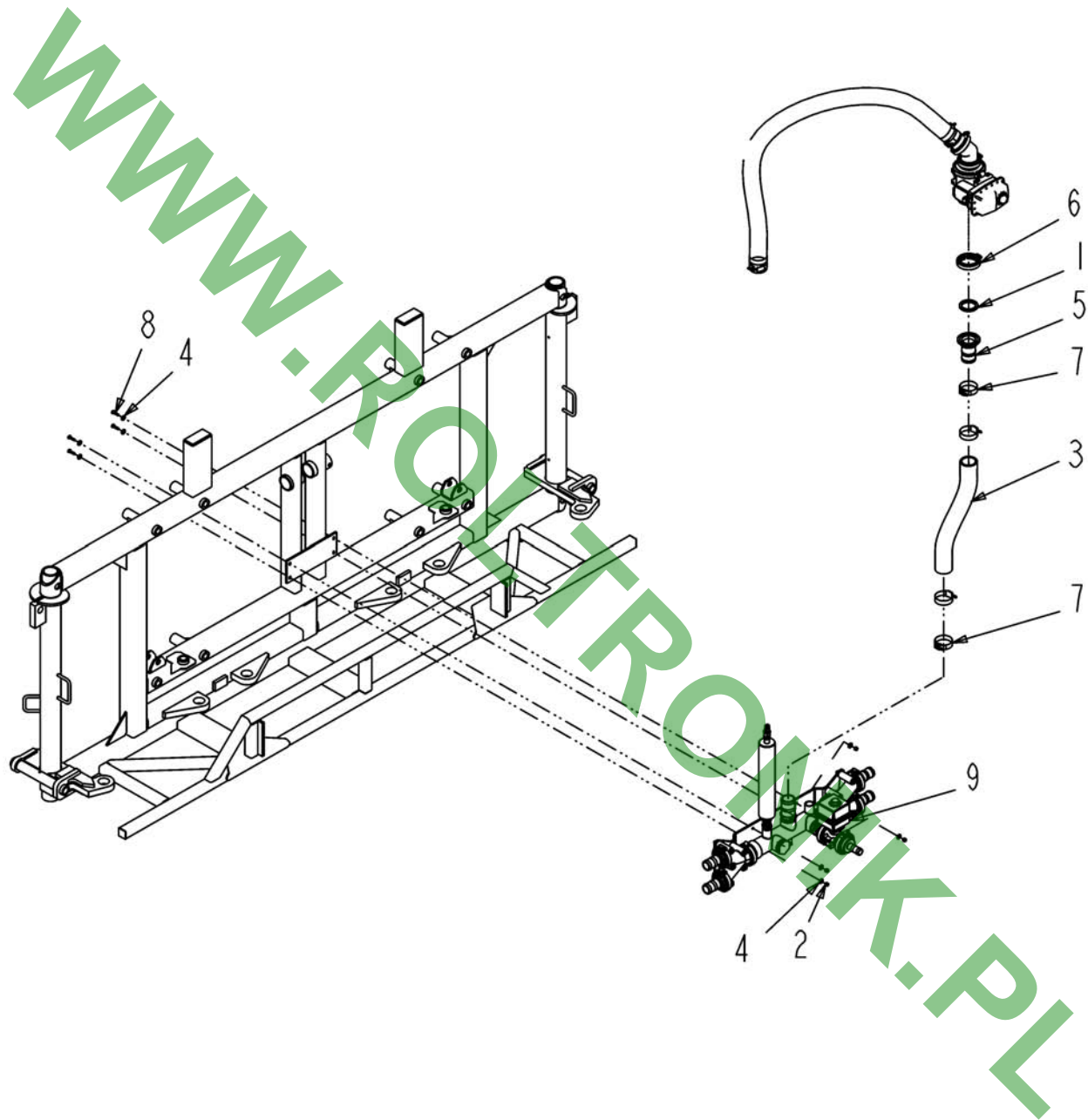


ITEM	PART #	QTY	DESCRIPTION	COMMENTS
1	AG000773	1	GASKET 2.00 EPDM	
2	AG027275	4	NUT,NY-LOCK 1/4-20 SS HX (P)	
3	AG057594	1	CONNECTOR 2.00FPX1.50HOSE	
4	AG424522	1	MANF ASM-BOOM,W/BALL VLV,STD	SEE PAGE 2-39
5	AG513466	-	HOSE-1.50,LIQ PROD.SUC & DIS [BULK: 1.667 FT]	
6	AG515121	8	WASHER 0.25 FL SS REG	
7	AG518339	2	CLAMP 2.00 BLACK POLY (RTG)	[A]
8	AG518507	4	BOLT 0.25-20NCX 3.50 SS	
9	AG522895	1	CLAMP-WORM SCREW,2.00,SS	
10	AG561538	4	CLAMP 1.78-2.09HOSE VOSS-200SS	
11	AG609777	4	INSERT STAUFF SPACER	[B]
	FOOTNOTE [A]		PART IS MADE UP OF 2 PIECES AND 2 INSERTS, AG609777.	
	FOOTNOTE [A]		BOLTS DO NOT COME WITH THIS CLAMP. BOLTS AG563061,	
	FOOTNOTE [A]		BOLTS AG563061, NUT AG515123, WASHER AG515122	
	FOOTNOTE [B]		USED ON AG518339, AG518340 AND AG520133 CLAMP	



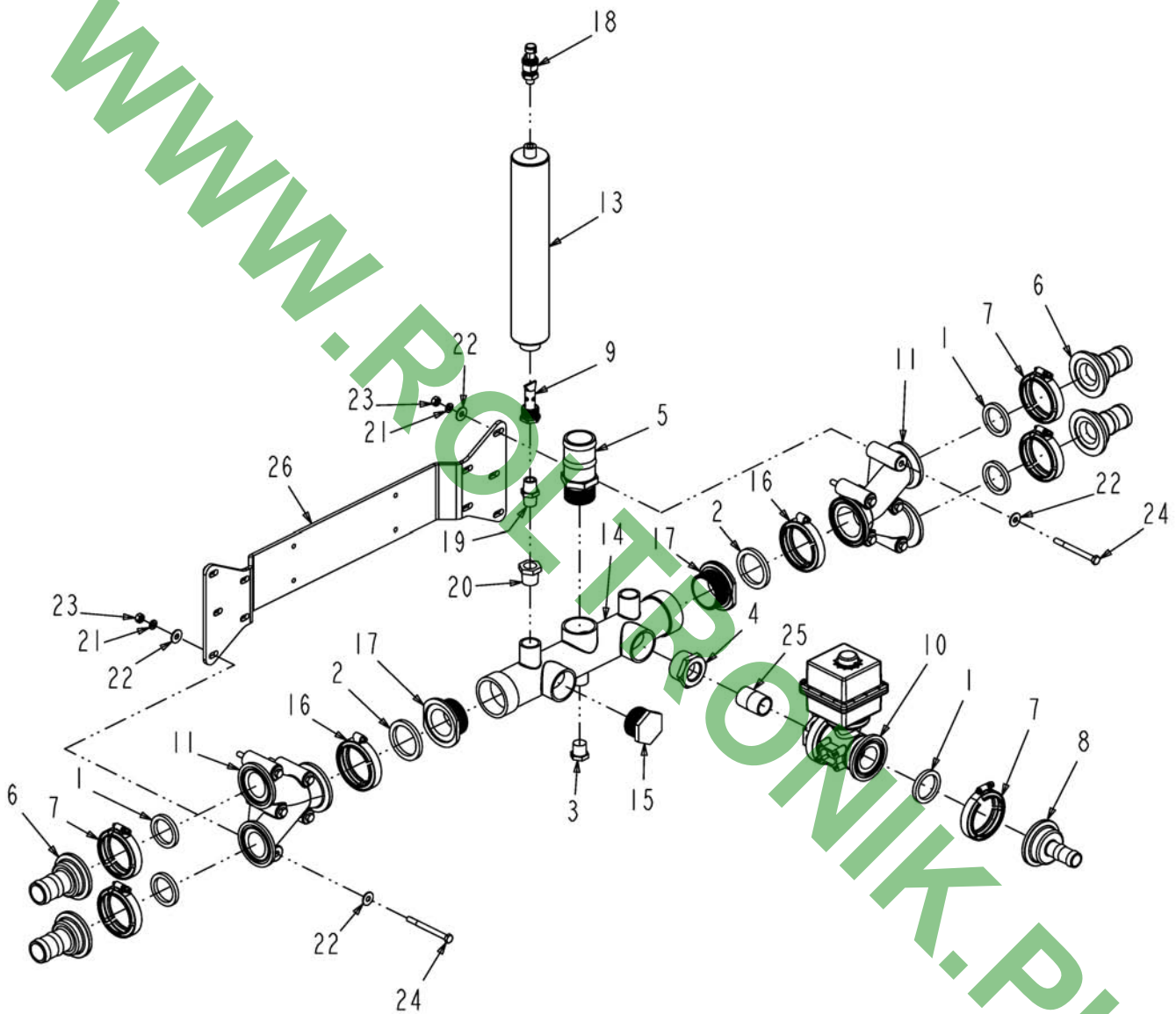
ITEM	PART #	QTY	DESCRIPTION	COMMENTS
1	AG000772	1	GASKET 1.50 EPDM	
2	AG051059	2	BARB-HOSE,1.00MNPTX1.00BARB,PP	
3	AG051133	1	PLUG-PIPE,HEX,0.50NPT,PP	
4	AG051904	1	NIPPLE 1.00X2.50 304SS	
5	AG056785	1	CLAMP 2.00 FLANGE	
6	AG057593	1	CONNECTOR 2.00X1.00HOSE	
7	AG106152	1	WLDMT TUBE DIFFUSER	
8	AG121883	1	VALVE-BALL,1.00FP FLGXNPT,ELEC	SEE PAGE 2-37
9	AG129187	AR	PIPE SEALANT-POLY SEAL	
10	AG311914	1	WLDMT ACCUMULATOR	
11	AG407963	1	MANIFOLD WLDMT	
12	AG524270	1	TRANSDUCER-PRES,150 PSI,(MV)	
13	AG553492	1	NIPPLE 0.50NPT CLOSE WR ST PL	
14	AG556424	1	BUSHG 0.75X 0.50NPT HX REDG PL	

WWW.ROLTRONIK.PL

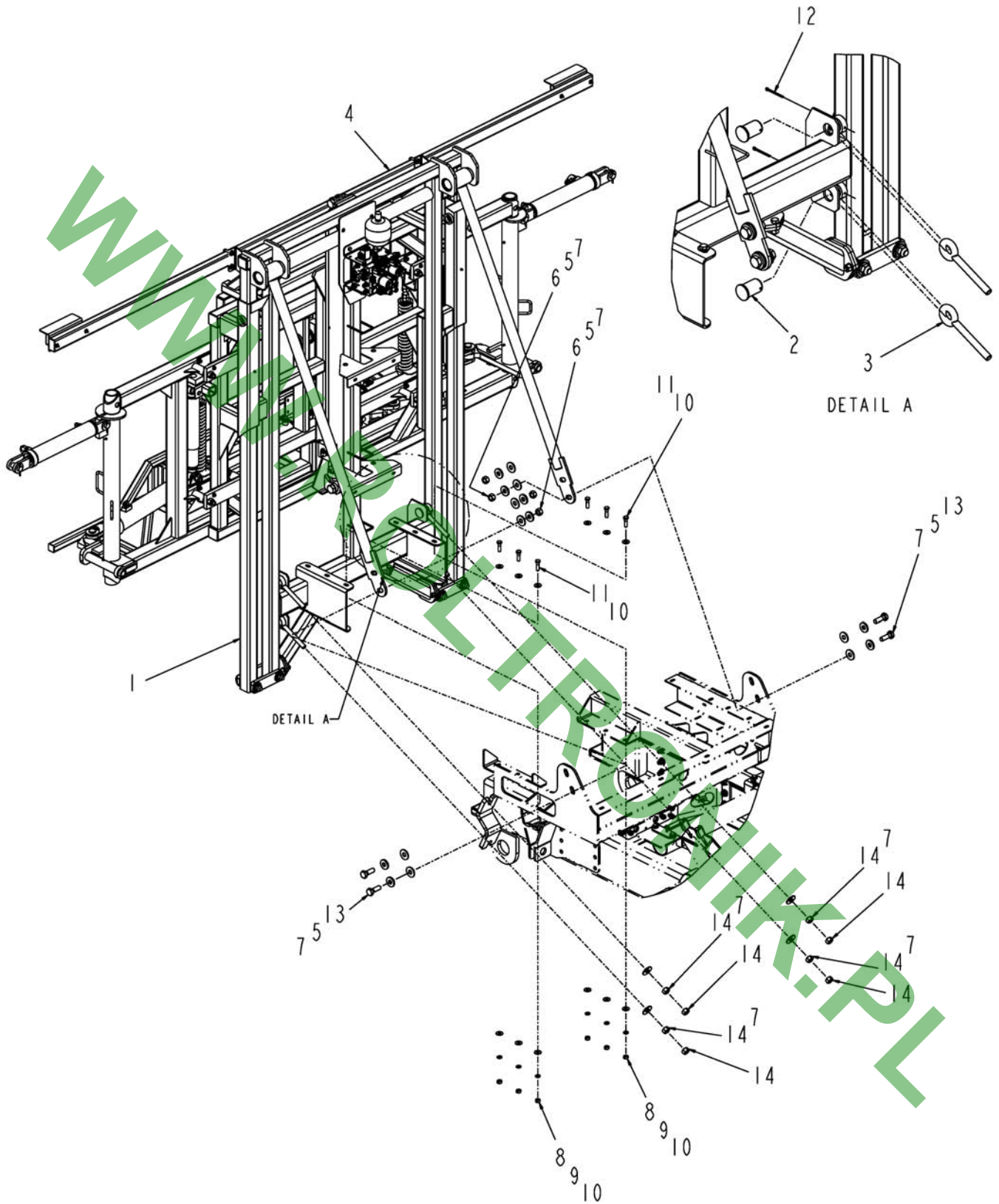


ITEM	PART #	QTY	DESCRIPTION	COMMENTS
1	AG000773	1	GASKET 2.00 EPDM	
2	AG027275	4	NUT,NY-LOCK 1/4-20 SS HX (P)	
3	AG511722	-	HOSE-2.00,WIRE BRAID,EPDM [BULK: 1.667 FT]	
4	AG515121	8	WASHER 0.25 FL SS REG	
5	AG522894	1	CONN-2.00 FLG X2.00 HOSE BARB	
6	AG522895	1	CLAMP-WORM SCREW,2.00,SS	
7	AG561630	4	CLAMP 2.28-2.59HOSE VOSS-250SS	
8	AG562064	4	BOLT 0.25-20NCX 1.00 S.S. HHD	[A]
9	506845D1	1	MANF ASM-BM,HV Y,W/BALL VLV STAINLESS STEEL	SEE PAGE 2-42
	FOOTNOTE [A]			

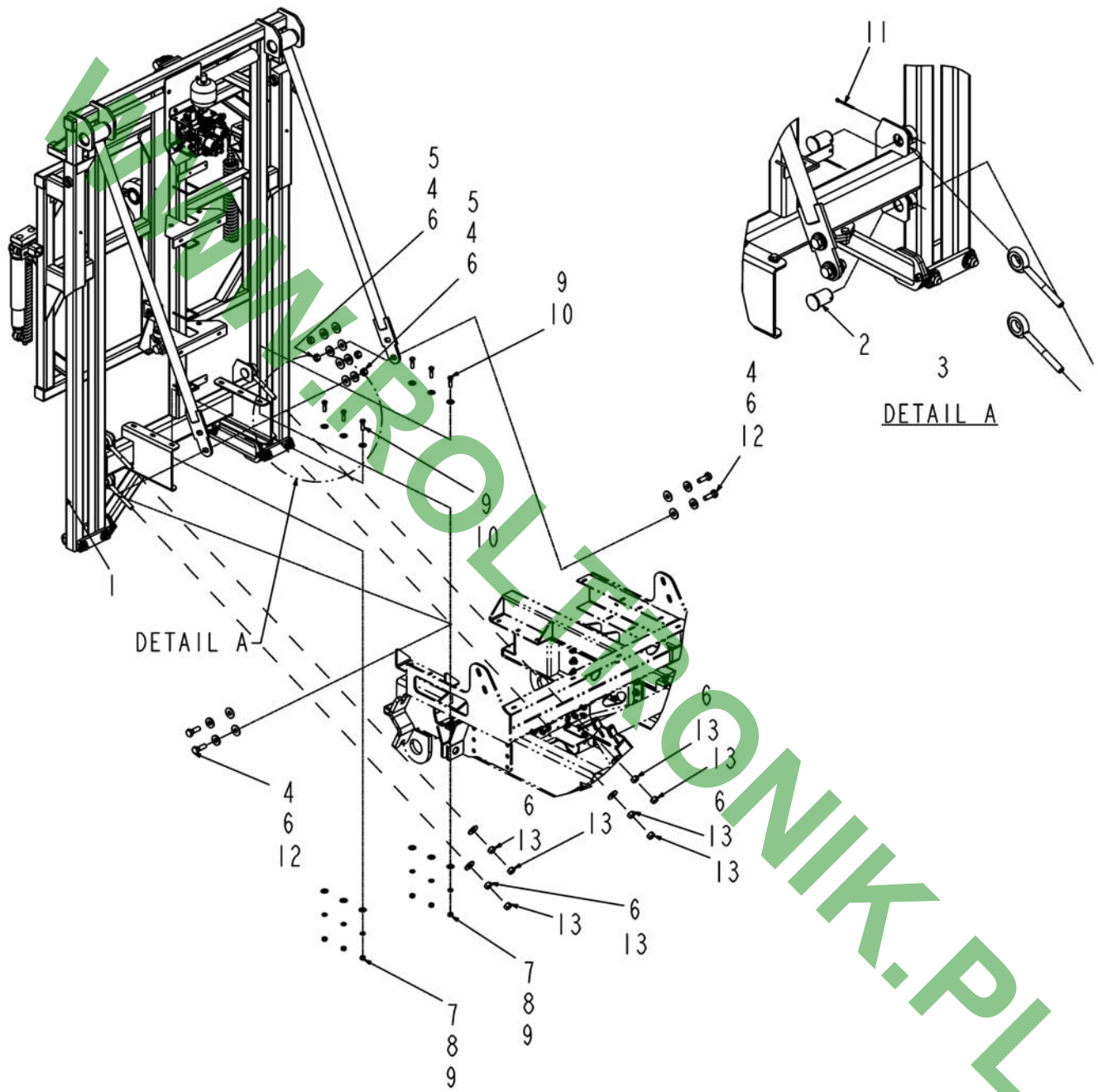
WWW.ROLTRONIK.PL



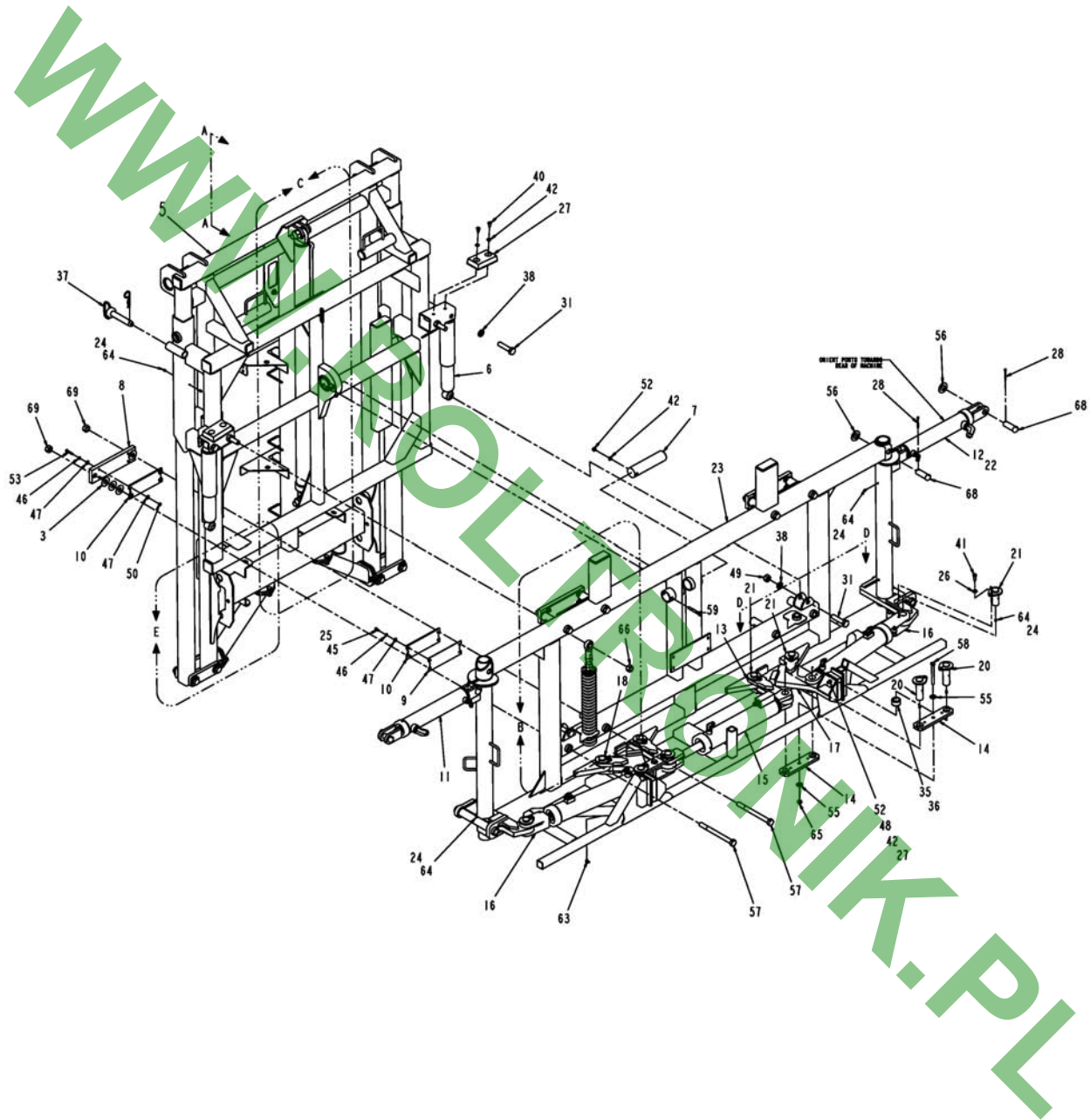
ITEM	PART #	QTY	DESCRIPTION	COMMENTS
1	AG000772	5	GASKET 1.50 EPDM	
2	AG000773	2	GASKET 2.00 EPDM	
3	AG051133	1	PLUG-PIPE,HEX,0.50NPT,PP	
4	AG051894	1	BUSHING 1.50X1.00 304SS	
5	AG052456	1	BARB-HOSE,1.50MNPTX2.00BARB,PP	
6	AG056291	4	CONNECTOR 2.00FLGX1.50HOSE	
7	AG056785	5	CLAMP 2.00 FLANGE	
8	AG057593	1	CONNECTOR 2.00X1.00HOSE	
9	AG106152	1	WLDMT TUBE DIFFUSER	
10	AG121883	1	VALVE-BALL,1.00FP FLGXNPT,ELEC	SEE PAGE 2-37
11	AG121930	2	MANIFOLD-Y,2.00FPX2.00SP	
12	AG129187	AR	PIPE SEALANT-POLY SEAL	
13	AG311914	1	WLDMT ACCUMULATOR	
14	AG326175	1	MANIFOLD WLDMT-HV BOOM CTR,THD	[A]
15	AG522149	1	PLUG-PIPE,HEX,1.50NPT,PP	
16	AG522895	2	CLAMP-WORM SCREW,2.00,SS	
17	AG523524	2	ADPTR-2.0FLG,FPX2.0MPT,316SS	
18	AG524270	1	TRANSDUCER-PRES,150 PSI,(MV)	
19	AG553492	1	NIPPLE 0.50NPT CLOSE WR ST PL	
20	AG556424	1	BUSHG 0.75X 0.50NPT HX REDG PL	
21	AG562051	10	WASHER LK 0.31 SS REG	
22	AG562074	20	WASHER FL 0.31 SS REG	
23	AG562090	10	NUT 0.31-18NC HEX SS REG	
24	AG563070	10	BOLT 0.31-18NCX 3.50 SS HDD	
25	AG710516	1	NIPPLE 1.00NPTX CLS 304SS	
26	506846D1	1	BRKT-MTG,MANF,BM,HV Y	
	FOOTNOTE [A]		CONSISTS OF 1 - AG051573 BUSHING, 1- AG517999 CHECK VALVE, 1 - AG519336 COUPLER	



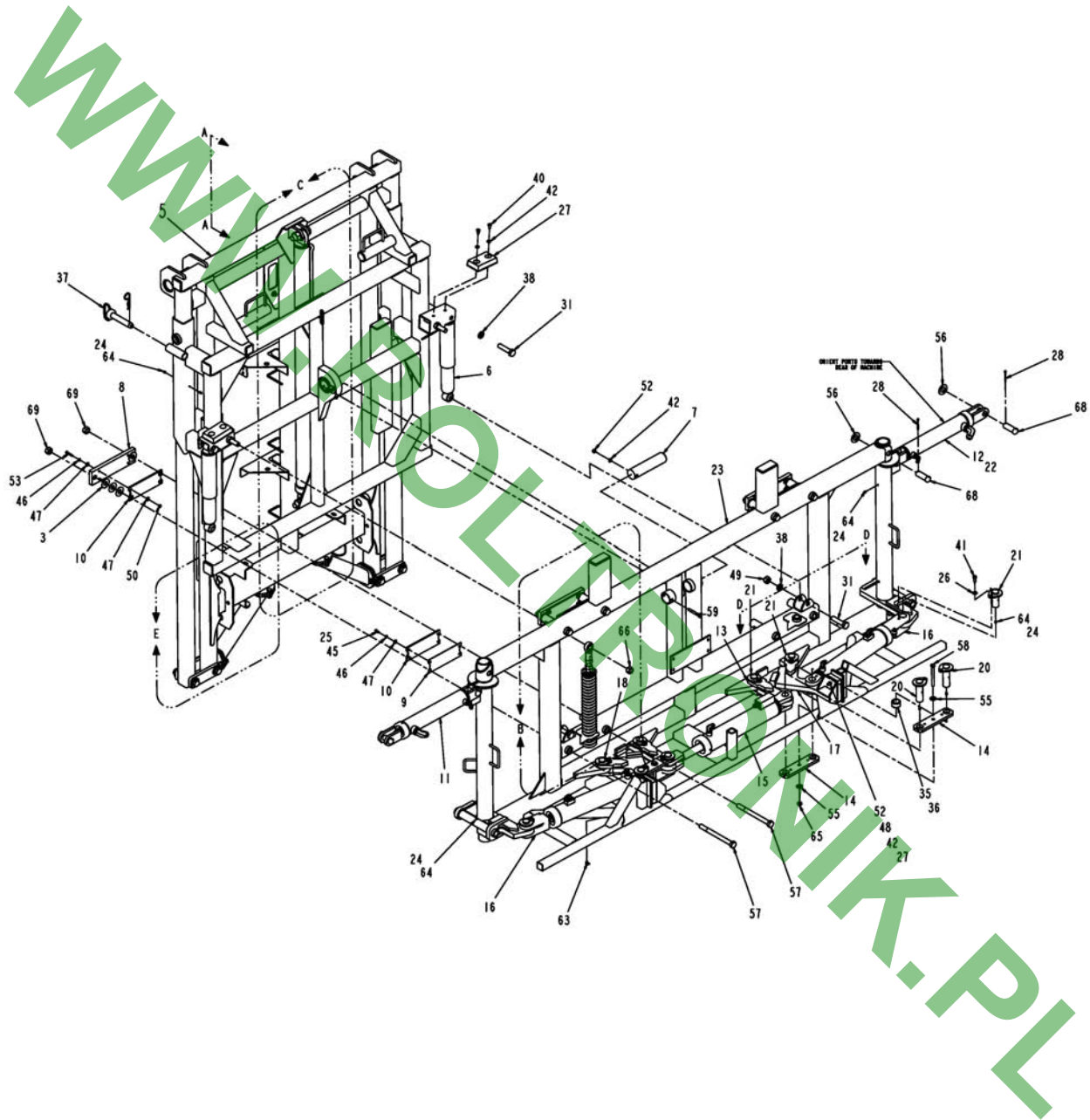
ITEM	PART #	QTY	DESCRIPTION	COMMENTS
1	AG123004	1	BOOM TREE ASM	SEE PAGE 3-3
2	AG200557	4	WLDMT PIN PIVOT	
3	AG200573	4	BOLT EYE .75NCX6.0 SHK DF GALV	[A]
4	AG327861	1	LIGHTBAR INSTL-REAR	SEE PAGE 12-33
5	AG521690	8	WSHR-FLT,1.88X.81X.25,BLK,HARD	
6	AG522703	4	NUT-.75-16,G8,ZN,H	
7	AG550116	12	WASHER 0.75 FL ZN REG TYPE-B	
8	AG550124	6	NUT 0.50-13NC HEX ZN REG	
9	AG550264	6	WASHER 0.50 LK ZN REG	
10	AG550353	12	WASHER 0.50 FL ZN REG TYPE-B	
11	AG553956	6	BOLT 0.50-13NCX 1.75 G5 ZN HHD	
12	AG561199	4	PIN COTTER 0.18X2.50 ZN	
13	AG561201	4	BOLT 0.75-16NFX 2.25 G8 ZN HHD	[B]
14	AG562537	8	NUT 0.75-10NC HEX GALV REG OSZ	
	FOOTNOTE [A]		NUT AG562537 - OVERSIZE	
	FOOTNOTE [A]		JAM NUT AG559709 - ZINC	
	FOOTNOTE [A]		JAM NUT AG515210 - GALV.	
	FOOTNOTE [A]		10EYEBOLT - AG222750	
	FOOTNOTE [A]		SPRING - AG515068	
	FOOTNOTE [B]		COARSE THREAD BOLT-AG562636	



ITEM	PART #	QTY	DESCRIPTION	COMMENTS
1	AG123004	1	BOOM TREE ASM	SEE PAGE 3-3
2	AG200557	4	WLDMT PIN PIVOT	
3	AG200573	4	BOLT EYE .75NCX6.0 SHK DF GALV	[A]
4	AG521690	8	WSHR-FLT,1.88X.81X.25,BLK,HARD	
5	AG522703	4	NUT-.75-16,G8,ZN,H	
6	AG550116	12	WASHER 0.75 FL ZN REG TYPE-B	
7	AG550124	6	NUT 0.50-13NC HEX ZN REG	
8	AG550264	6	WASHER 0.50 LK ZN REG	
9	AG550353	12	WASHER 0.50 FL ZN REG TYPE-B	
10	AG553956	6	BOLT 0.50-13NCX 1.75 G5 ZN HHD	
11	AG561199	4	PIN COTTER 0.18X2.50 ZN	
12	AG561201	4	BOLT 0.75-16NFX 2.25 G8 ZN HHD	[B]
13	AG562537	8	NUT 0.75-10NC HEX GALV REG OSZ	
	FOOTNOTE [A]		NUT AG562537 - OVERSIZE	
	FOOTNOTE [A]		JAM NUT AG559709 - ZINC	
	FOOTNOTE [A]		JAM NUT AG515210 - GALV.	
	FOOTNOTE [A]		10EYEBOLT - AG222750	
	FOOTNOTE [A]		SPRING - AG515068	
	FOOTNOTE [B]		COARSE THREAD BOLT-AG562636	

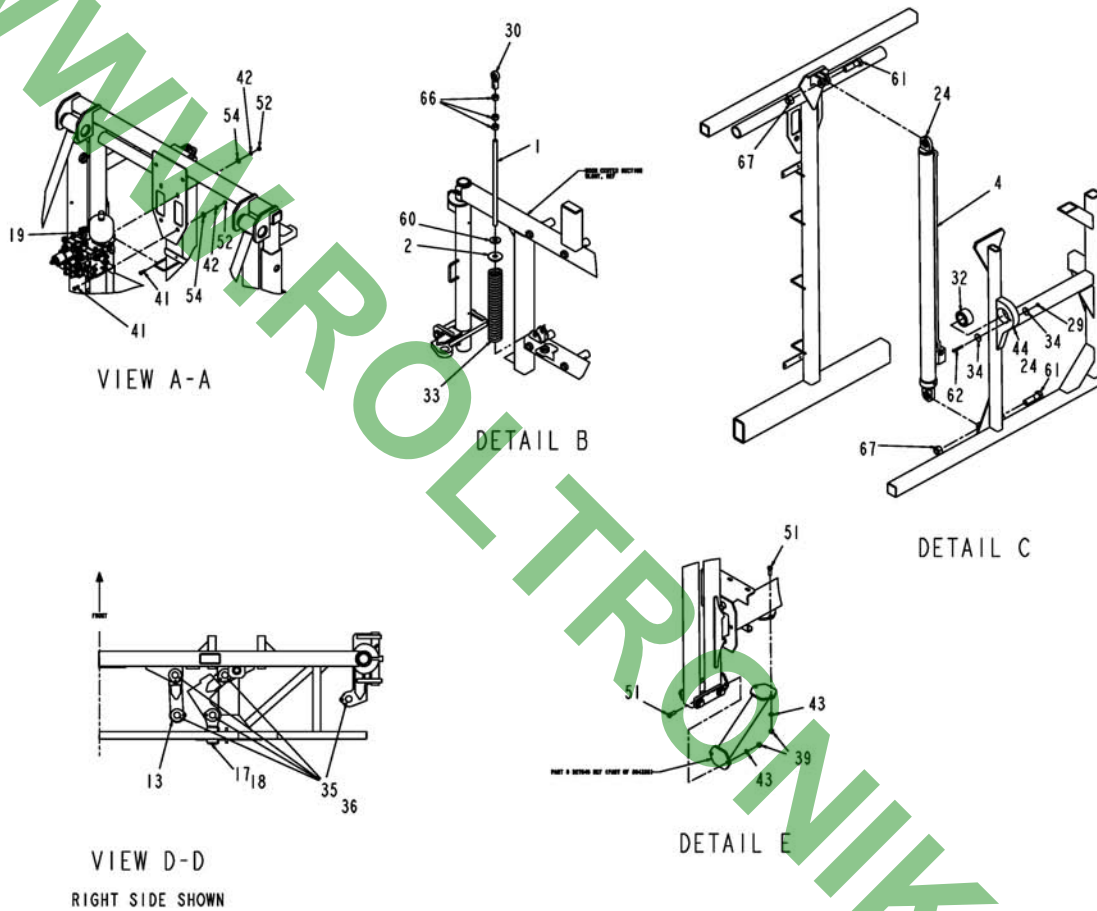


ITEM	PART #	QTY	DESCRIPTION	COMMENTS
1	AG108268	2	ROD THREADED	
2	AG108604	2	SPRING RETAINER WLDMT	
3	AG108622	24	WASHER FLAT THIN	
4	AG122030	1	CYLINDER ASM-HOIST,BOOM	SEE PAGE 5-16
5	AG123005	1	BOOM TREE WLDMT	SEE PAGE 3-25
6	AG136741	2	SHOCK-GAS,ADJ,3 POSITION	
7	AG229652	1	SHAFT BOOM PIVOT	
8	AG229659	4	PLATE MOUNT WEAR PAD	
9	AG229660	4	PLATE SHIM	
10	AG229661	8	PAD WEAR	
11	AG260899	1	CYLINDER ASM-BOOM TILT,LH	SEE PAGE 5-18
12	AG260900	1	CYLINDER ASM-BOOM TILT,RH	SEE PAGE 5-19
13	AG261821	2	PIVOT WLDMT-LINK	
14	AG261822	4	PLATE-LINK	
15	AG262936	1	CYLINDER ASM-BOOM BREAKAWAY	SEE PAGE 5-21
16	AG262997	2	CYLINDER ASM-BOOM SWING	SEE PAGE 5-23
17	AG327314	1	PIVOT WLDMT-RH	
18	AG327315	1	PIVOT WLDMT-LH	
19	AG327802	1	BLOCK ASM-HYD,BOOM	SEE PAGE 5-7
20	AG328805	4	PIN WLDMT-SUPPORT,CENTER	
21	AG328806	6	PIN WLDMT-SUPPORT	
22	AG504350	1	PLMB INSTL-HYD,BOOM,80/90FT	SEE PAGE 5-8
23	AG504622	1	CENTER WLDMT-BOOM	
24	AG511099	-	GREASE-MULTI PURPOSE LITH. [BULK: 0.001 LB]	
25	AG512885	AR	LOCTITE ADHESIVE SEALANT BLUE	
26	AG514559	10	WASHER 0.37 FL ZN SAE G8	
27	AG514814	6	BUMPER PAD	
28	AG515352	4	PIN COTTER 0.18X2.00 SS	
29	AG516403	1	NUT 0.31-18NC HEX ESNA SS	
30	AG517248	2	ROD END BALL JOINT	
31	AG517993	4	BOLT 0.75-10NCX 3.25 G5 ZN HHD	
32	AG518032	1	BUSHING SELF ALIGNING RADIAL	[A]
33	AG518092	2	SPRING COMPRESSION .44X16.50	
34	AG518358	2	WASHER FENDER .31 X 1.50 OD	
35	AG522925	10	BUSHING-1.25 ID X1.625 OD	
36	AG522980	AR	LOCTITE-603,GREEN	
37	AG524263	1	PIN-HITCH,1.00X4.50	
38	AG550108	4	WASHER 0.75 LK ZN REG	
39	AG550124	8	NUT 0.50-13NC HEX ZN REG	
40	AG550167	4	BOLT 0.37-16NCX 0.62 G5 ZN HHD	
41	AG550175	14	BOLT 0.37-16NCX 1.00 G5 ZN HHD	
42	AG550191	17	WASHER LK 0.37 ZN REG	
43	AG550264	8	WASHER 0.50 LK ZN REG	
44	AG550280	1	FITTING LUB.12-27NPTFX0.68	
45	AG550485	16	BOLT.25-20NCX.75 G5 ZN HHD	
46	AG550493	32	WASHER LK 0.25 ZN REG	
47	AG550507	48	WASHER FL 0.25 ZN REG TYPE-B	
48	AG550515	8	BOLT 0.37-16NCX 1.25 G5 ZN HHD	
49	AG550590	2	NUT.75-10NC HEX ZN REG *G5*	
50	AG550612	14	NUT 0.25-20NC HEX ZN REG	
51	AG550817	8	BOLT 0.50-13NCX 1.50 G5 ZN HHD	
52	AG550825	11	NUT 0.37-16NC HEX ZN REG	
53	AG550949	16	BOLT 0.25-20NCX 1.50 G5 ZN HHD	
54	AG551007	4	WASHER FL 0.37 ZN REG TYPE-B	
55	AG551406	4	WASHER 0.43 FL ZN REG TYPE-B	
56	AG551856	4	WASHER1.00FL ZN SAE TYPE-A	
57	AG553646	8	BOLT 0.75-10NCX 8.50 G5 ZN HHD	
58	AG558796	2	BOLT 0.43-14NCX 4.50 G5 ZN HHD	
59	AG561072	1	BOLT 0.37-16NCX 3.00 G5 ZN HHD	
60	AG561156	2	WASHER 0.75 FL ZN SAE TYPE A	

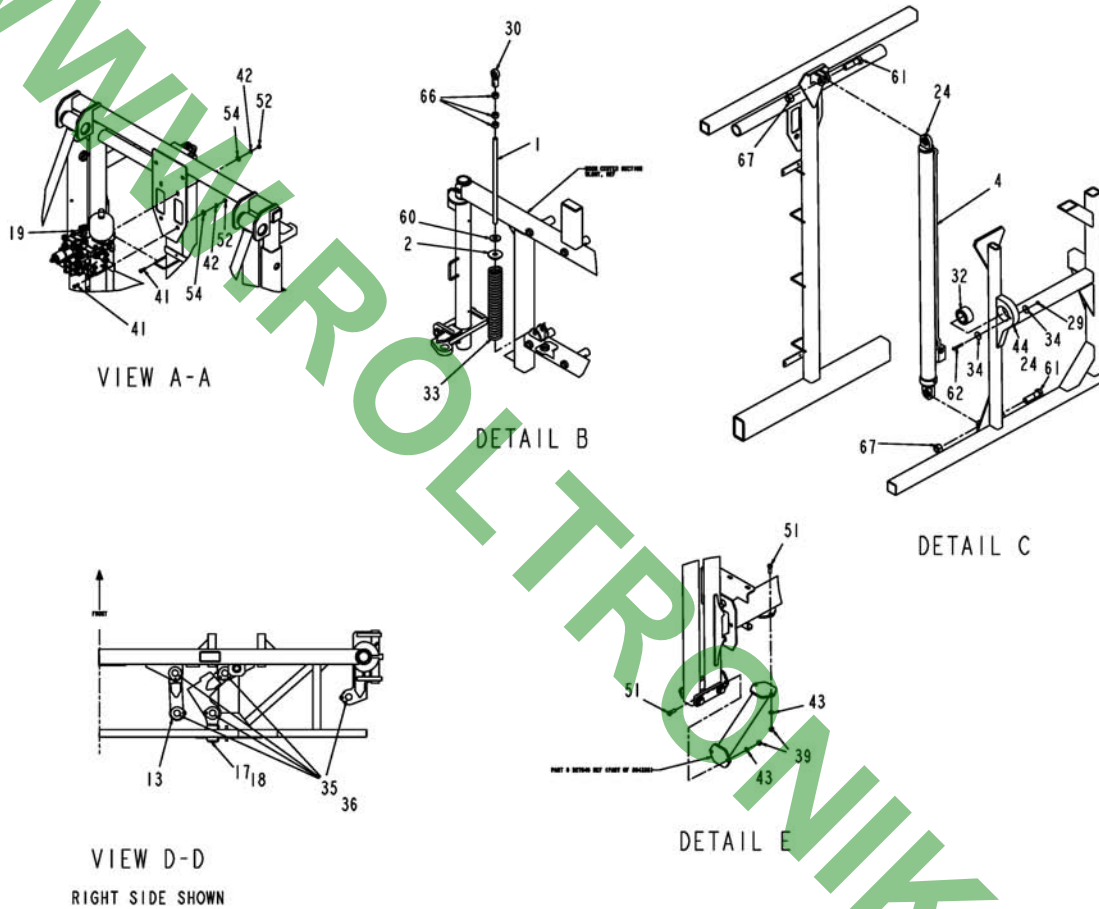


ITEM	PART #	QTY	DESCRIPTION	COMMENTS
61	AG561177	2	BOLT 1.00- 8NCX 3.50 G5 ZN HHD	
62	AG561251	1	BOLT 0.31-18NCX 2.25 G5 ZN HHD	
63	AG561826	2	FITTING LUBE 0.25-28 NF 90D	
64	AG561892	18	FITTING LUBE STR 0.25UNF	
65	AG562193	2	NUT 0.43-14NC HEX ZN C-LK	
66	AG562291	8	NUT 0.75-16NF HEX ZN REG	[B]
67	AG563036	2	LOCKNUT 1.00 IN NC HES ESNA	
68	AG602132	4	PIN CLEVIS 1.00X2.62 ZN	[C]
69	AG603864	8	NUT 0.75-10LGT G5 HX ZN ESNA	
	FOOTNOTE [A]		PIN THRU BEARING-AG229652, WLDMNT BEARING PRESSED INTO - AG309764	
	FOOTNOTE [B]		THIS NUT WILL NOT FIT AG880725 LOWER SWAYBAR PIN ON AIRMAX. IT IS FINE	
	FOOTNOTE [B]		THREAD AND THE PIN IS COARSE. USE PART NUMBER AG881323 NUT.	
	FOOTNOTE [C]		NON-GREASABLE, CAN USE AG519637-- GREASABLE	

WWW.ROLTRONIK.PL

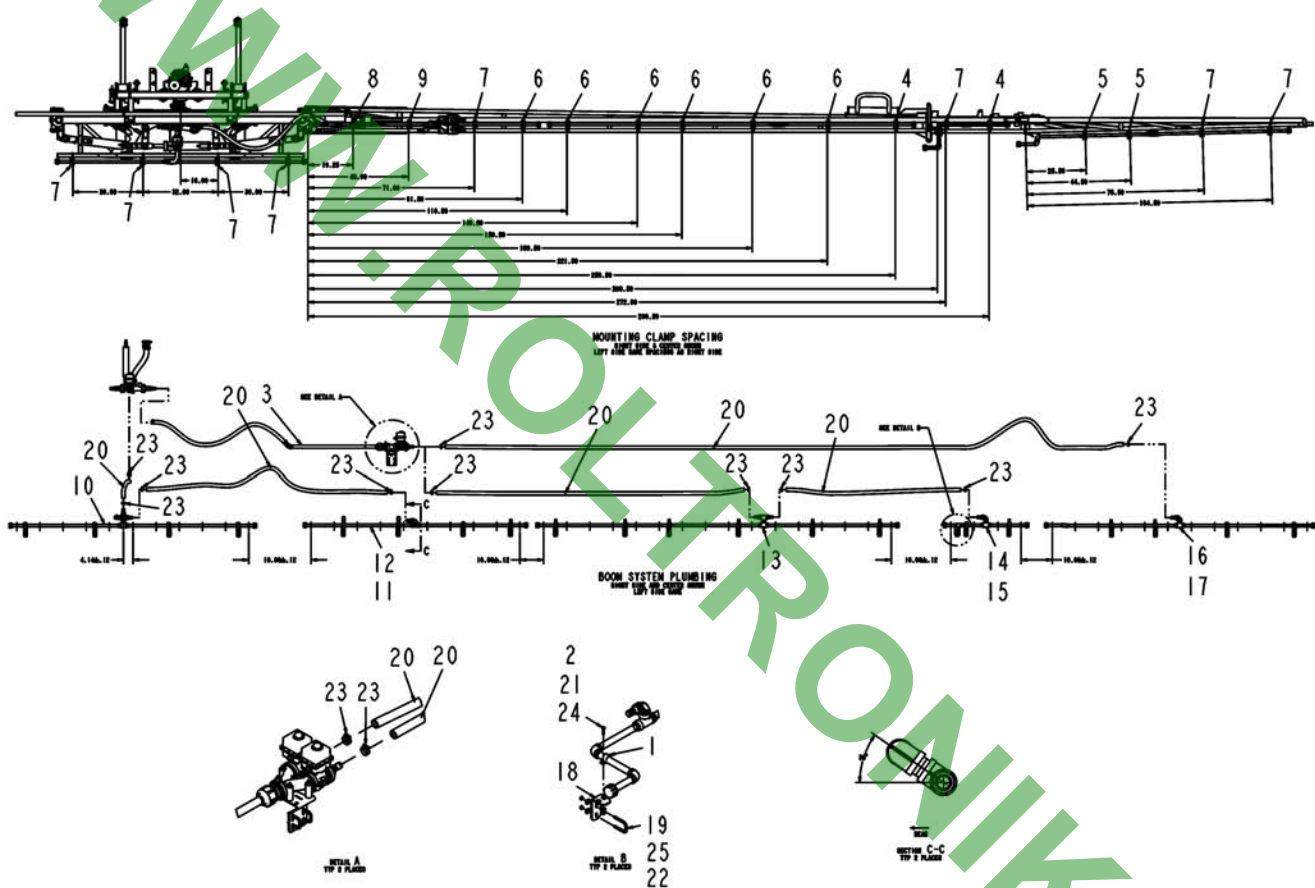


ITEM	PART #	QTY	DESCRIPTION	COMMENTS
1	AG108268	2	ROD THREADED	
2	AG108604	2	SPRING RETAINER WLDMT	
3	AG108622	24	WASHER FLAT THIN	
4	AG122030	1	CYLINDER ASM-HOIST,BOOM	SEE PAGE 5-16
5	AG123005	1	BOOM TREE WLDMT	SEE PAGE 3-25
6	AG136741	2	SHOCK-GAS,ADJ,3 POSITION	
7	AG229652	1	SHAFT BOOM PIVOT	
8	AG229659	4	PLATE MOUNT WEAR PAD	
9	AG229660	4	PLATE SHIM	
10	AG229661	8	PAD WEAR	
11	AG260899	1	CYLINDER ASM-BOOM TILT,LH	SEE PAGE 5-18
12	AG260900	1	CYLINDER ASM-BOOM TILT,RH	SEE PAGE 5-19
13	AG261821	2	PIVOT WLDMT-LINK	
14	AG261822	4	PLATE-LINK	
15	AG262936	1	CYLINDER ASM-BOOM BREAKAWAY	SEE PAGE 5-21
16	AG262997	2	CYLINDER ASM-BOOM SWING	SEE PAGE 5-23
17	AG327314	1	PIVOT WLDMT-RH	
18	AG327315	1	PIVOT WLDMT-LH	
19	AG327802	1	BLOCK ASM-HYD,BOOM	SEE PAGE 5-7
20	AG328805	4	PIN WLDMT-SUPPORT,CENTER	
21	AG328806	6	PIN WLDMT-SUPPORT	
22	AG504350	1	PLMB INSTL-HYD,BOOM,80/90FT	SEE PAGE 5-8
23	AG504622	1	CENTER WLDMT-BOOM	
24	AG511099	-	GREASE-MULTI PURPOSE LITH. [BULK: 0.001 LB]	
25	AG512885	AR	LOCTITE ADHESIVE SEALANT BLUE	
26	AG514559	10	WASHER 0.37 FL ZN SAE G8	
27	AG514814	6	BUMPER PAD	
28	AG515352	4	PIN COTTER 0.18X2.00 SS	
29	AG516403	1	NUT 0.31-18NC HEX ESNA SS	
30	AG517248	2	ROD END BALL JOINT	
31	AG517993	4	BOLT 0.75-10NCX 3.25 G5 ZN HHD	
32	AG518032	1	BUSHING SELF ALIGNING RADIAL	[A]
33	AG518092	2	SPRING COMPRESSION .44X16.50	
34	AG518358	2	WASHER FENDER .31 X 1.50 OD	
35	AG522925	10	BUSHING-1.25 ID X1.625 OD	
36	AG522980	AR	LOCTITE-603,GREEN	
37	AG524263	1	PIN-HITCH,1.00X4.50	
38	AG550108	4	WASHER 0.75 LK ZN REG	
39	AG550124	8	NUT 0.50-13NC HEX ZN REG	
40	AG550167	4	BOLT 0.37-16NCX 0.62 G5 ZN HHD	
41	AG550175	14	BOLT 0.37-16NCX 1.00 G5 ZN HHD	
42	AG550191	17	WASHER LK 0.37 ZN REG	
43	AG550264	8	WASHER 0.50 LK ZN REG	
44	AG550280	1	FITTING LUB.12-27NPTFX0.68	
45	AG550485	16	BOLT.25-20NCX.75 G5 ZN HHD	
46	AG550493	32	WASHER LK 0.25 ZN REG	
47	AG550507	48	WASHER FL 0.25 ZN REG TYPE-B	
48	AG550515	8	BOLT 0.37-16NCX 1.25 G5 ZN HHD	
49	AG550590	2	NUT.75-10NC HEX ZN REG *G5*	
50	AG550612	14	NUT 0.25-20NC HEX ZN REG	
51	AG550817	8	BOLT 0.50-13NCX 1.50 G5 ZN HHD	
52	AG550825	11	NUT 0.37-16NC HEX ZN REG	
53	AG550949	16	BOLT 0.25-20NCX 1.50 G5 ZN HHD	
54	AG551007	4	WASHER FL 0.37 ZN REG TYPE-B	
55	AG551406	4	WASHER 0.43 FL ZN REG TYPE-B	
56	AG551856	4	WASHER1.00FL ZN SAE TYPE-A	
57	AG553646	8	BOLT 0.75-10NCX 8.50 G5 ZN HHD	
58	AG558796	2	BOLT 0.43-14NCX 4.50 G5 ZN HHD	
59	AG561072	1	BOLT 0.37-16NCX 3.00 G5 ZN HHD	
60	AG561156	2	WASHER 0.75 FL ZN SAE TYPE A	

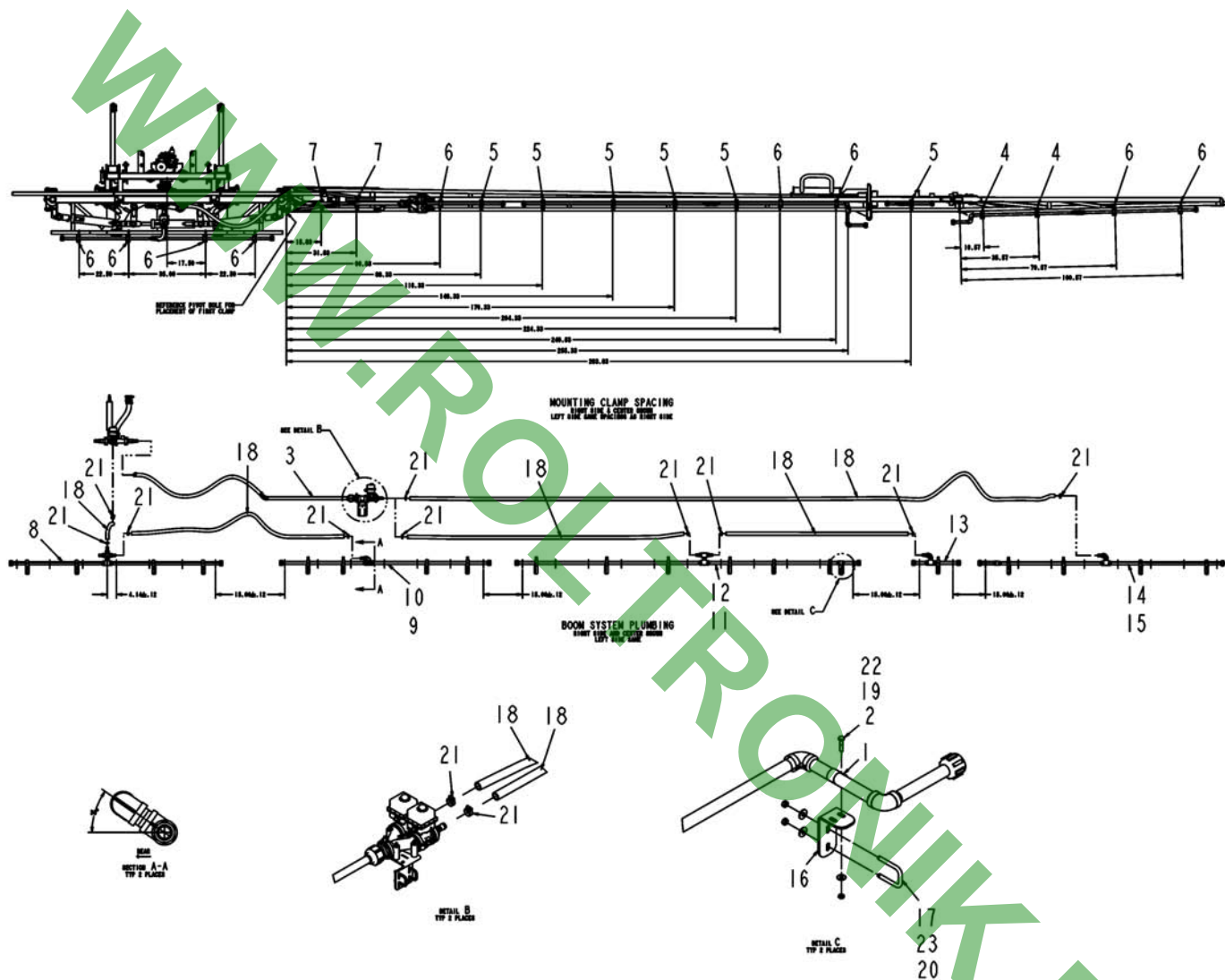


ITEM	PART #	QTY	DESCRIPTION	COMMENTS
61	AG561177	2	BOLT 1.00- 8NCX 3.50 G5 ZN HHD	
62	AG561251	1	BOLT 0.31-18NCX 2.25 G5 ZN HHD	
63	AG561826	2	FITTING LUBE 0.25-28 NF 90D	
64	AG561892	18	FITTING LUBE STR 0.25UNF	
65	AG562193	2	NUT 0.43-14NC HEX ZN C-LK	
66	AG562291	8	NUT 0.75-16NF HEX ZN REG	[B]
67	AG563036	2	LOCKNUT 1.00 IN NC HES ESNA	
68	AG602132	4	PIN CLEVIS 1.00X2.62 ZN	[C]
69	AG603864	8	NUT 0.75-10LGT G5 HX ZN ESNA	
	FOOTNOTE [A]		PIN THRU BEARING-AG229652, WLDMNT BEARING PRESSED INTO - AG309764	
	FOOTNOTE [B]		THIS NUT WILL NOT FIT AG880725 LOWER SWAYBAR PIN ON AIRMAX. IT IS FINE	
	FOOTNOTE [B]		THREAD AND THE PIN IS COARSE. USE PART NUMBER AG881323 NUT.	
	FOOTNOTE [C]		NON-GREASABLE, CAN USE AG519637-- GREASABLE	

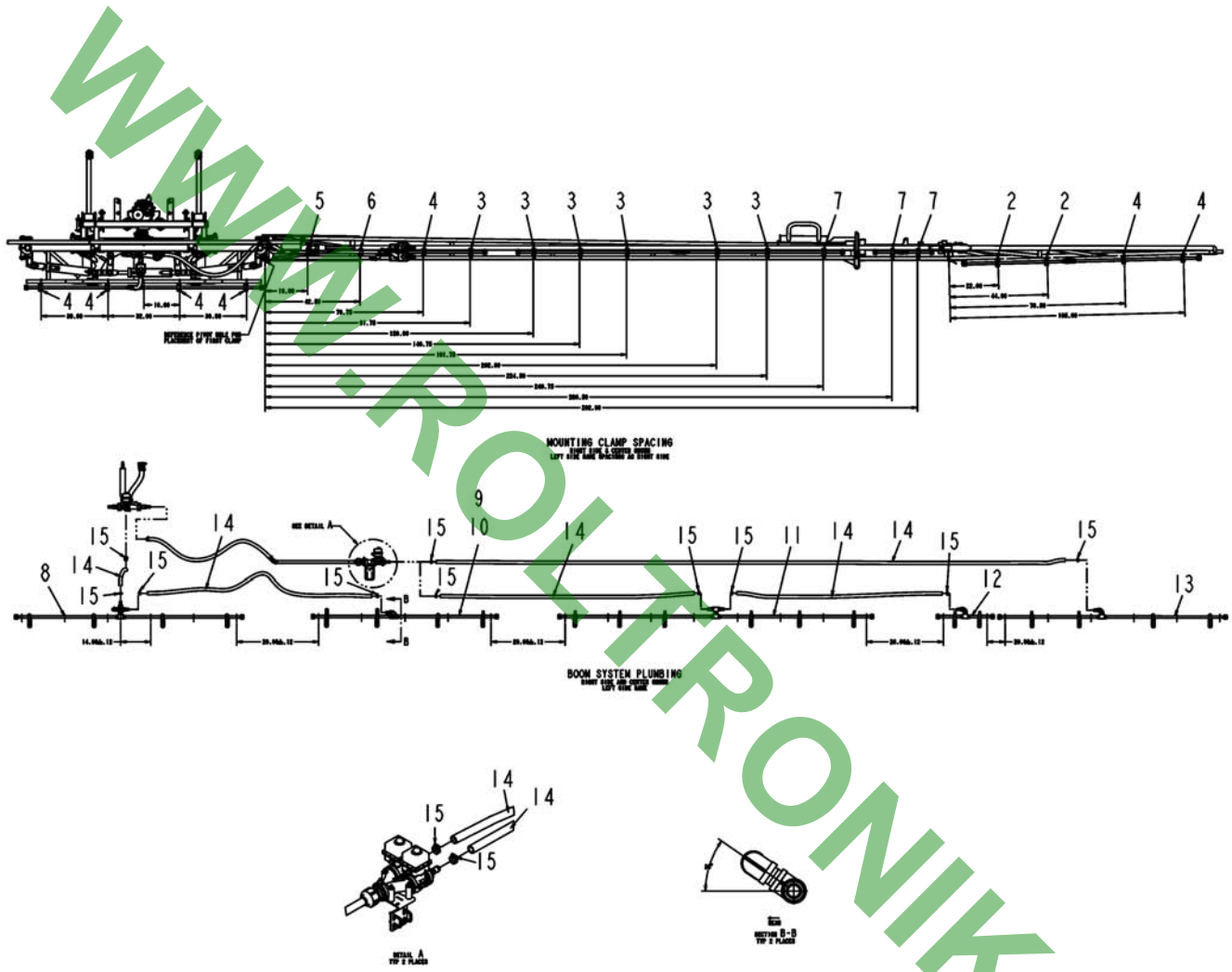
WWW.ROLTRONIK.PL



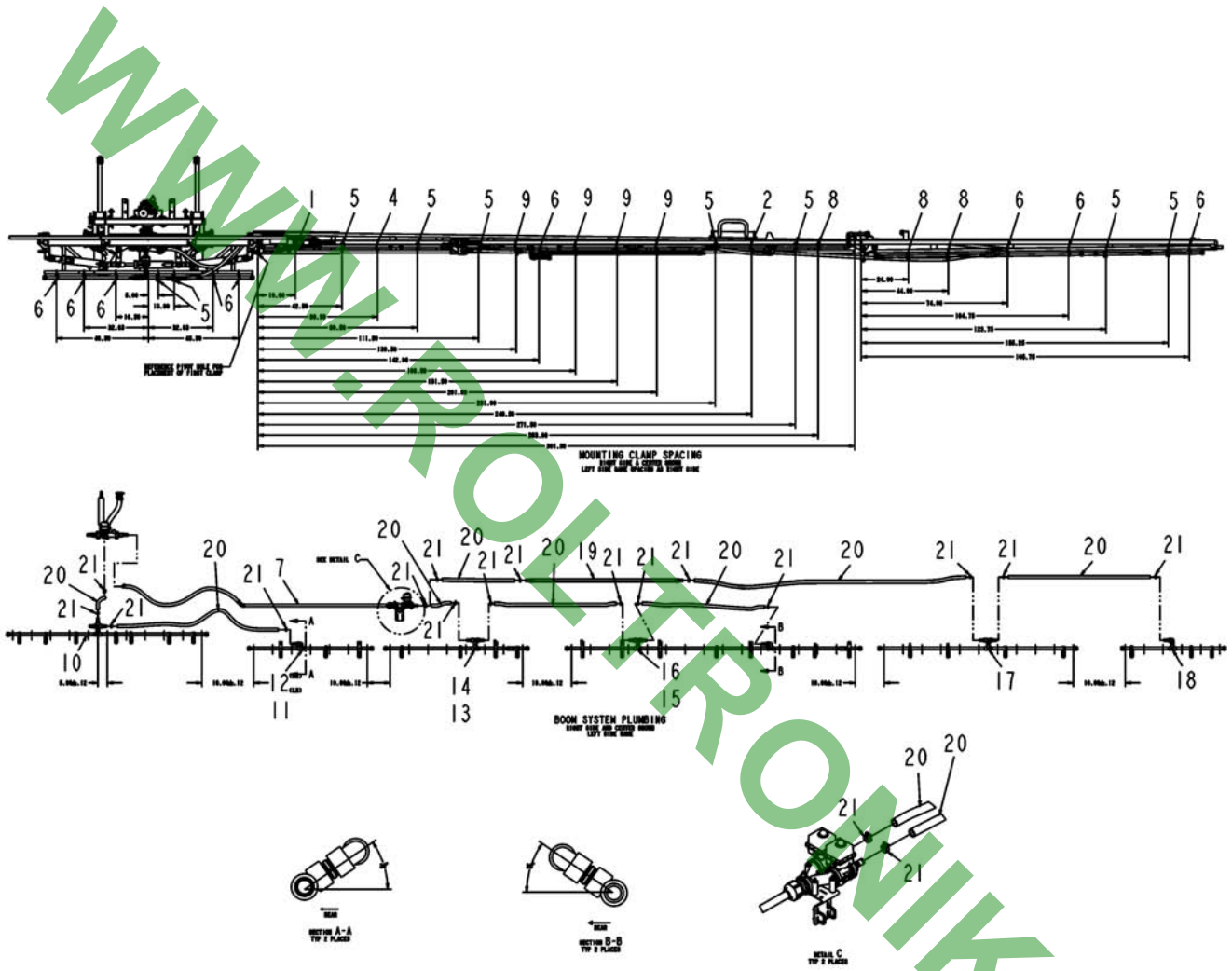
ITEM	PART #	QTY	DESCRIPTION	COMMENTS
1	AG010354	2	CLAMP LOOM 1.00 PER DWG (D)	
2	AG027275	2	NUT,NY-LOCK 1/4-20 SS HX (P)	
3	AG122148	1	SYS INSTL-PLMB,80X5,ELEC VALVE	SEE PAGE 4-48
4	AG122328	4	BRKT ASM-L REV/P CLP STD U	SEE PAGE 4-49
5	AG122329	4	BRKT ASM-L W/P CLP,STD UBOLT	SEE PAGE 4-50
6	AG122330	12	BRKT ASM-L W/2 P CLP,STD UBOLT	SEE PAGE 4-51
7	AG122331	12	BRKT ASM-L,STD UBOLT	SEE PAGE 4-52
8	AG122512	2	BRKT ASM-L,PP STAUFF,LG U BOLT	SEE PAGE 4-53
9	AG122514	2	BRKT ASM-L,2 STAUFF,STD U	SEE PAGE 4-54
10	AG134620	1	PIPE ASM-X W/3 1.00HB,11X10,SS	SEE PAGE 4-1
11	AG134621	1	PIPE ASM-90D W/1HB,10X10,SS,LH	SEE PAGE 4-2
12	AG134622	1	PIPE ASM-90D W/1HB,10X10,SS,RH	SEE PAGE 4-3
13	AG134623	2	PIPE ASM-T W/2 1.00HB,16X10,SS	SEE PAGE 4-4
14	AG134624	1	PIPE ASM-90D W/1HB,4X10,SS,RH	SEE PAGE 4-5
15	AG134625	1	PIPE ASM-90D W/1HB,4X10,SS,LH	SEE PAGE 4-6
16	AG134626	1	PIPE ASM-90D W/1HB,12X10,SS,RH	SEE PAGE 4-7
17	AG134627	1	PIPE ASM-90D W/1HD,12X10,SS,LH	SEE PAGE 4-8
18	AG217609	2	BRACKET TUBE BREAKAWAY SUPPORT	
19	AG231204	2	BOLT-U .31-18X1.88X2.63	[A]
20	AG511528	-	HOSE 1.00 2BRD EPDM [BULK: 106.834 FT]	
21	AG515121	2	WASHER 0.25 FL SS REG	
22	AG516403	4	NUT 0.31-18NC HEX ESNA SS	
23	AG561213	18	CLAMP 0.81-1.50 HOSE 16HS	
24	AG561952	2	BOLT 0.25-20NCX 1.25 S.S. HHD	
25	AG562074	4	WASHER FL 0.31 SS REG	
26	AG562496	AR	TIE CABLE 15.0 .18-4.00 BLACK	
	FOOTNOTE [A]		WASHER AG562074, NUT AG516403	



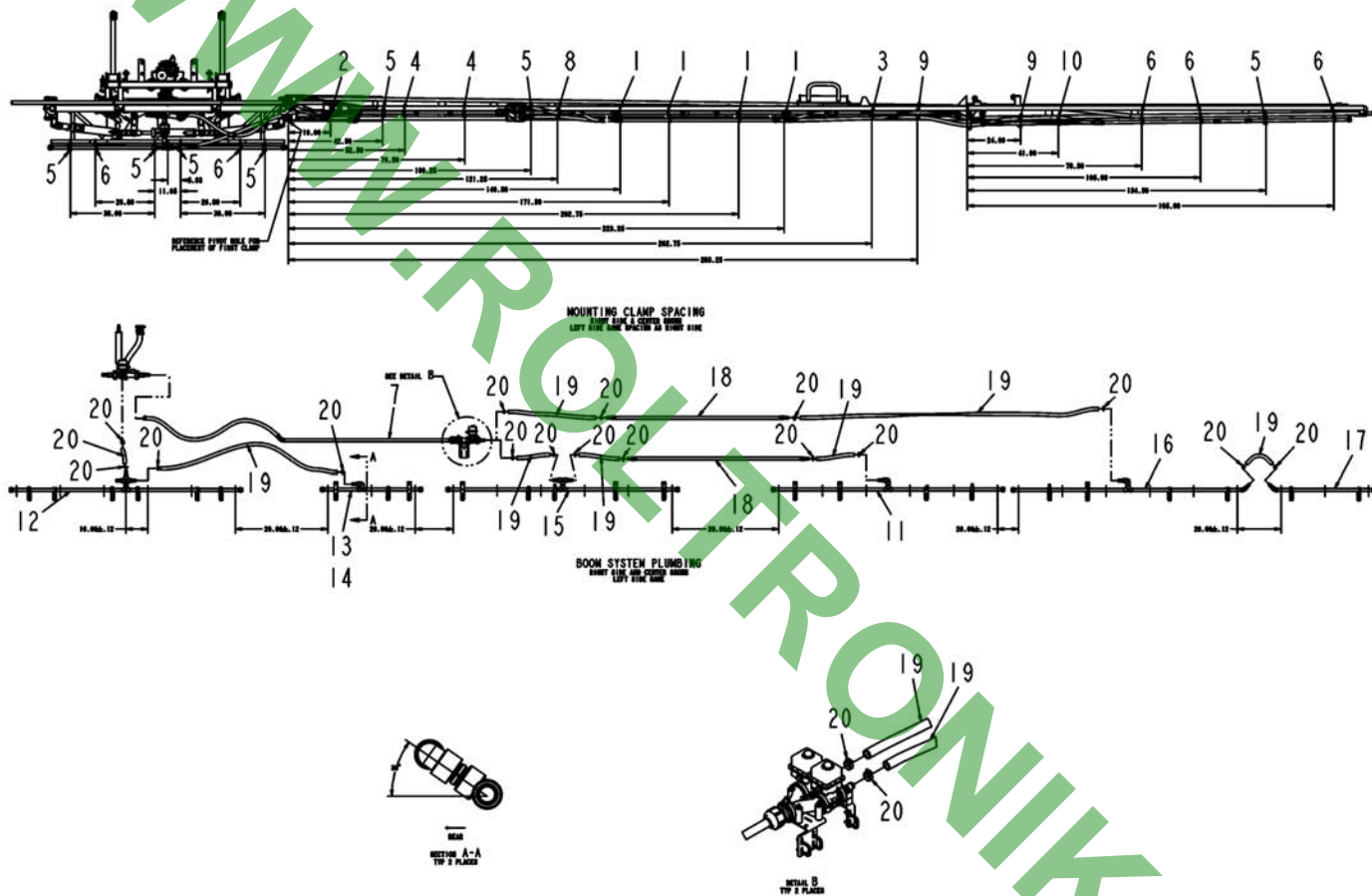
ITEM	PART #	QTY	DESCRIPTION	COMMENTS
1	AG010354	2	CLAMP LOOM 1.00 PER DWG (D)	
2	AG027275	2	NUT,NY-LOCK 1/4-20 SS HX (P)	
3	AG122148	1	SYS INSTL-PLMB,80X5,ELEC VALVE	SEE PAGE 4-48
4	AG122329	4	BRKT ASM-L W/P CLP,STD UBOLT	SEE PAGE 4-50
5	AG122330	12	BRKT ASM-L W/2 P CLP,STD UBOLT	SEE PAGE 4-51
6	AG122331	12	BRKT ASM-L,STD UBOLT	SEE PAGE 4-52
7	AG122450	4	BRKT ASM-L W/2 P CLP,LG UBOLT	SEE PAGE 4-55
8	AG134628	1	PIPE ASM-X W/3 1.00HB,11X10,SS	SEE PAGE 4-9
9	AG134629	1	PIPE ASM-90D W/1HB,7X15,SS,LH	SEE PAGE 4-10
10	AG134630	1	PIPE ASM-90D W/1HB,7X15,SS,RH	SEE PAGE 4-11
11	AG134631	1	PIPE ASM-T W/2 1HB,11X15,SS,LH	SEE PAGE 4-12
12	AG134632	1	PIPE ASM-T W/2 1HB,11X15,SS,RH	SEE PAGE 4-13
13	AG134633	2	PIPE ASM-90D W/1.00HB,2X15,SS	SEE PAGE 4-14
14	AG134634	1	PIPE ASM-90D W/1HB,8X15,SS,RH	SEE PAGE 4-15
15	AG134635	1	PIPE ASM-90D W/1HB,8X15,SS,LH	SEE PAGE 4-16
16	AG217609	2	BRACKET TUBE BREAKAWAY SUPPORT	
17	AG231204	2	BOLT-U .31-18X1.88X2.63	[A]
18	AG511528	-	HOSE 1.00 2BRD EPDM [BULK: 109.667 FT]	
19	AG515121	2	WASHER 0.25 FL SS REG	
20	AG516403	4	NUT 0.31-18NC HEX ESNA SS	
21	AG561213	16	CLAMP 0.81-1.50 HOSE 16HS	
22	AG561952	2	BOLT 0.25-20NCX 1.25 S.S. HHD	
23	AG562074	4	WASHER FL 0.31 SS REG	
24	AG562496	AR	TIE CABLE 15.0 .18-4.00 BLACK	
	FOOTNOTE [A]		WASHER AG562074, NUT AG516403	



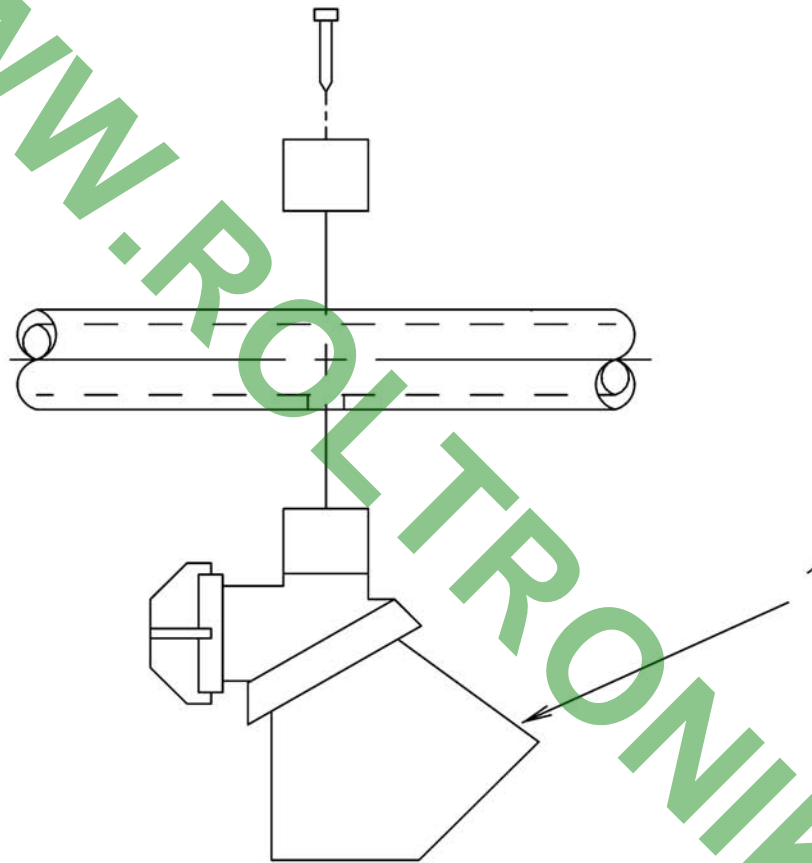
ITEM	PART #	QTY	DESCRIPTION	COMMENTS
1	AG122148	1	SYS INSTL-PLMB,80X5,ELEC VALVE	SEE PAGE 4-48
2	AG122329	4	BRKT ASM-L W/P CLP,STD UBOLT	SEE PAGE 4-50
3	AG122330	12	BRKT ASM-L W/2 P CLP,STD UBOLT	SEE PAGE 4-51
4	AG122331	10	BRKT ASM-L,STD UBOLT	SEE PAGE 4-52
5	AG122512	2	BRKT ASM-L,PP STAUFF,LG U BOLT	SEE PAGE 4-53
6	AG122514	2	BRKT ASM-L,2 STAUFF,STD U	SEE PAGE 4-54
7	AG122515	6	BRKT ASM-L W/REV P CLP	SEE PAGE 4-56
8	AG134636	1	PIPE ASM-X W/3 1.00HB,6X20,SS	SEE PAGE 4-17
9	AG134637	1	PIPE ASM-90D W/1HB,5X20,SS,LH	SEE PAGE 4-18
10	AG134638	1	PIPE ASM-90D W/1HB,5X20,SS,RH	SEE PAGE 4-19
11	AG134639	2	PIPE ASM-T W/2 1.00HB,8X20,SS	SEE PAGE 4-20
12	AG134640	2	PIPE ASM-90D W/1.00HB,2X20,SS	SEE PAGE 4-21
13	AG134641	2	PIPE ASM-90D W/1.00HB,6X20,SS	SEE PAGE 4-22
14	AG511528	-	HOSE 1.00 2BRD EPDM [BULK: 104.834 FT]	
15	AG561213	18	CLAMP 0.81-1.50 HOSE 16HS	
16	AG562496	AR	TIE CABLE 15.0 .18-4.00 BLACK	



ITEM	PART #	QTY	DESCRIPTION	COMMENTS
1	AG122511	2	BRKT ASM-STR,LG,2IPS CLP,LG U	SEE PAGE 4-57
2	AG122517	2	BRKT ASM-STR,LG,IPS CLP,2P	SEE PAGE 4-58
3	AG122518	2	BRKT ASM-Z,IPS CLP	SEE PAGE 4-59
4	AG122519	2	BRKT ASM-STR,LG,2IPS CLP	SEE PAGE 4-61
5	AG122520	16	BRKT ASM-L,PP STAUFF	SEE PAGE 4-62
6	AG122521	13	BRKT ASM-STR,SH,IPS CLP	SEE PAGE 4-63
7	AG122564	1	SYS INSTL-PLMB,90X5,ELEC VALVE	SEE PAGE 2-33
8	AG122610	6	BRKT ASM-L,PP STAUFF,CTR P CLP	SEE PAGE 4-64
9	AG122958	8	BRKT ASM-STR,LG,2IPS,P	SEE PAGE 4-65
10	AG134642	1	PIPE ASM-X W/3 1.00HB,11X10,PP	SEE PAGE 4-23
11	AG134643	1	PIPE ASM-90D W/1HB,7X10,PP,LH	SEE PAGE 4-24
12	AG134644	1	PIPE ASM-90D W/1HB,7X10,PP,RH	SEE PAGE 4-25
13	AG134645	1	PIPE ASM-T W/2 1HB,8X10,PP,LH	SEE PAGE 4-26
14	AG134646	1	PIPE ASM-T W/2 1HB,8X10,PP,RH	SEE PAGE 4-27
15	AG134647	1	PIPE ASM-T/90D,16X10,PP,LH	SEE PAGE 4-28
16	AG134648	1	PIPE ASM-T/90D,16X10,PP,RH	SEE PAGE 4-29
17	AG134649	2	PIPE ASM-T W/2 1.00HB,11X10,PP	SEE PAGE 4-30
18	AG134650	2	PIPE ASM-90D W/1.00HB,6X10,PP	SEE PAGE 4-31
19	AG134667	2	PIPE ASM-W/2 1.00HB,77.00,PP	SEE PAGE 4-32
20	AG511528	-	HOSE 1.00 2BRD EPDM [BULK: 88.167 FT]	
21	AG561213	30	CLAMP 0.81-1.50 HOSE 16HS	
22	AG562496	AR	TIE CABLE 15.0 .18-4.00 BLACK	

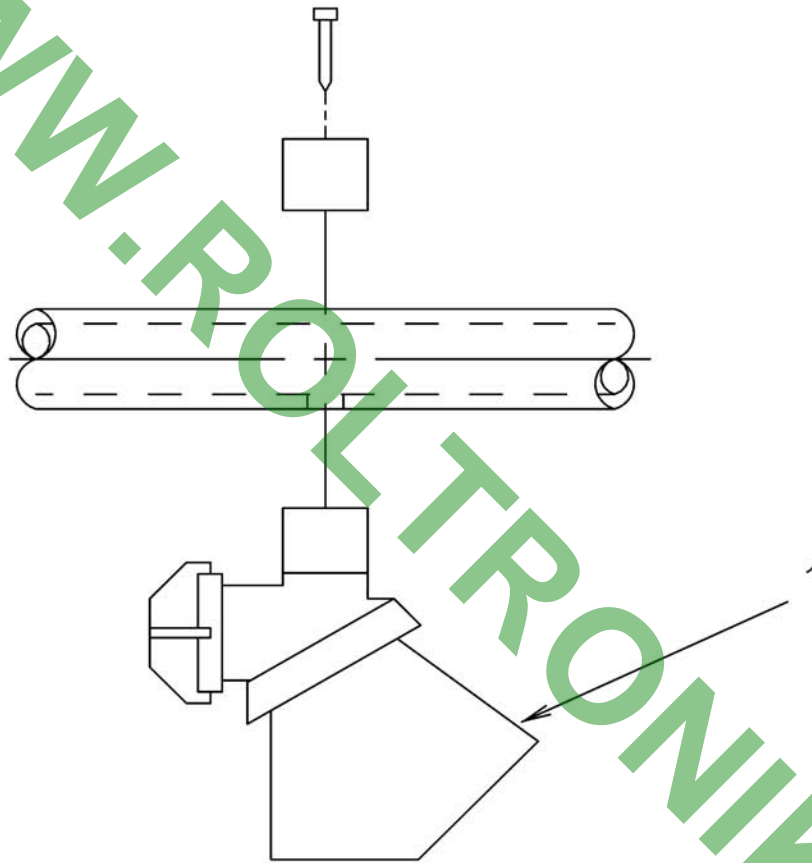


ITEM	PART #	QTY	DESCRIPTION	COMMENTS
1	AG122500	8	BRKT ASM-STR,LG,3IPS CLP	SEE PAGE 4-66
2	AG122511	2	BRKT ASM-STR,LG,2IPS CLP,LG U	SEE PAGE 4-57
3	AG122516	2	BRKT ASM-STR,SH,IPS CLP,P CLP	SEE PAGE 4-67
4	AG122519	4	BRKT ASM-STR,LG,2IPS CLP	SEE PAGE 4-61
5	AG122520	10	BRKT ASM-L,PP STAUFF	SEE PAGE 4-62
6	AG122521	8	BRKT ASM-STR,SH,IPS CLP	SEE PAGE 4-63
7	AG122564	1	SYS INSTL-PLMB,90X5,ELEC VALVE	SEE PAGE 2-33
8	AG122571	2	BRKT ASM-L,PP STAUFF,REV P CLP	SEE PAGE 4-68
9	AG122610	4	BRKT ASM-L,PP STAUFF,CTR P CLP	SEE PAGE 4-64
10	AG122957	2	BRKT ASM-STR,LG,IPS,P CLP	SEE PAGE 4-69
11	WR127095	2	PIPE ASM-90D W/1.00HB,6X20,PP	SEE PAGE 4-107
12	AG134651	1	PIPE ASM-X W/3 1.00HB,6X20,PP	SEE PAGE 4-33
13	AG134652	1	PIPE ASM-90D W/1HB,3X20,PP,RH	SEE PAGE 4-34
14	AG134653	1	PIPE ASM-90D W/1HB,3X20,PP,LH	SEE PAGE 4-35
15	AG134654	2	PIPE ASM-T W/2 1.00HB,6X20,PP	SEE PAGE 4-36
16	AG134655	2	PIPE ASM-90D/45D,6X20,PP	SEE PAGE 4-37
17	AG134656	2	PIPE ASM-45D W/1.00HB,3X20,PP	SEE PAGE 4-38
18	AG134667	4	PIPE ASM-W/2 1.00HB,77.00,PP	SEE PAGE 4-32
19	AG511528	-	HOSE 1.00 2BRD EPDM [BULK: 56.584 FT]	
20	AG561213	30	CLAMP 0.81-1.50 HOSE 16HS	
21	AG562496	AR	TIE CABLE 15.0 .18-4.00 BLACK	



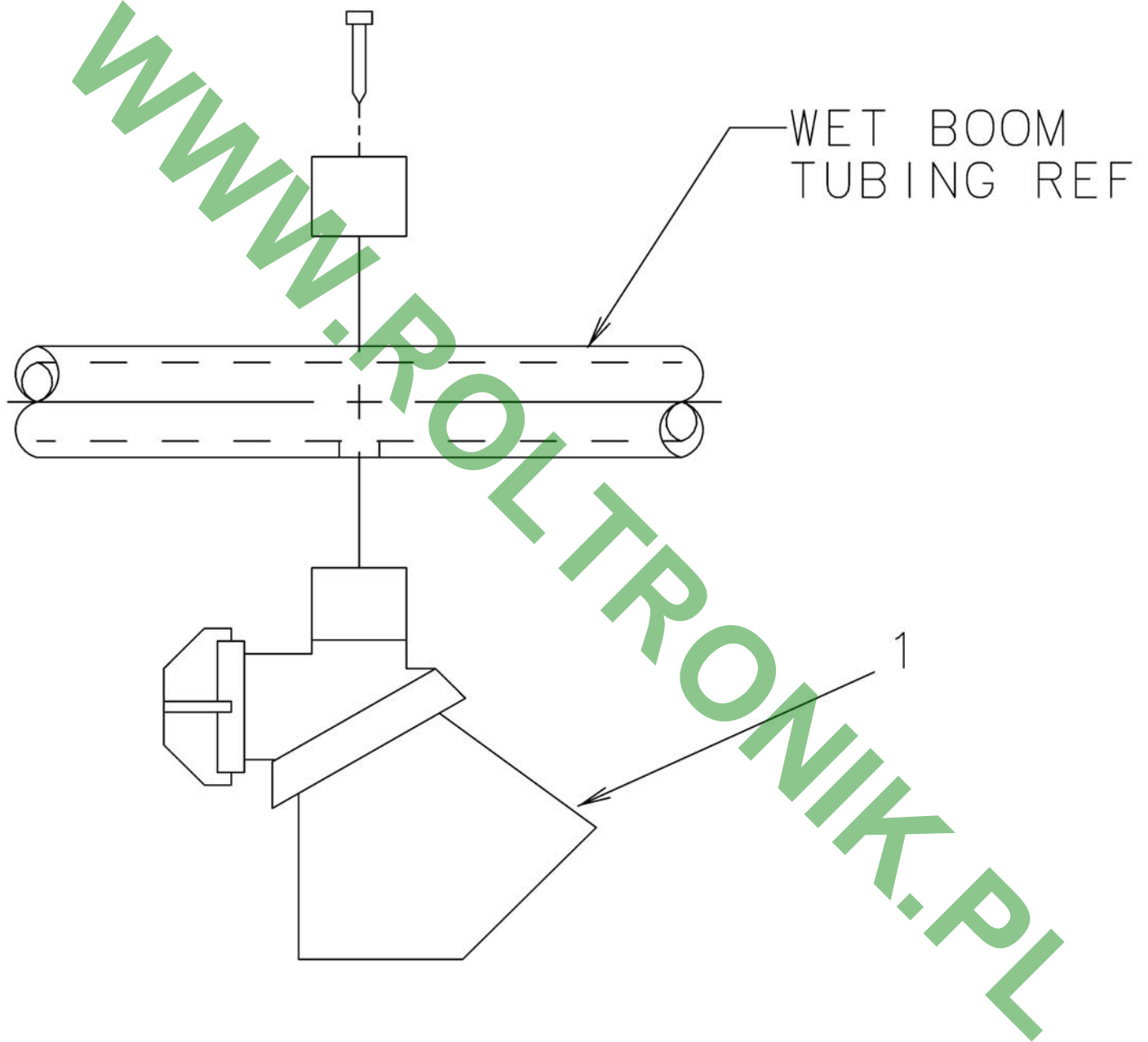
ITEM	PART #	QTY	DESCRIPTION	COMMENTS
1	AG519524	95	TRIPLE NOZZLE HOLDER .75 PIPE	SEE PAGE 4-42

WWW.ROLTRONIK.PL



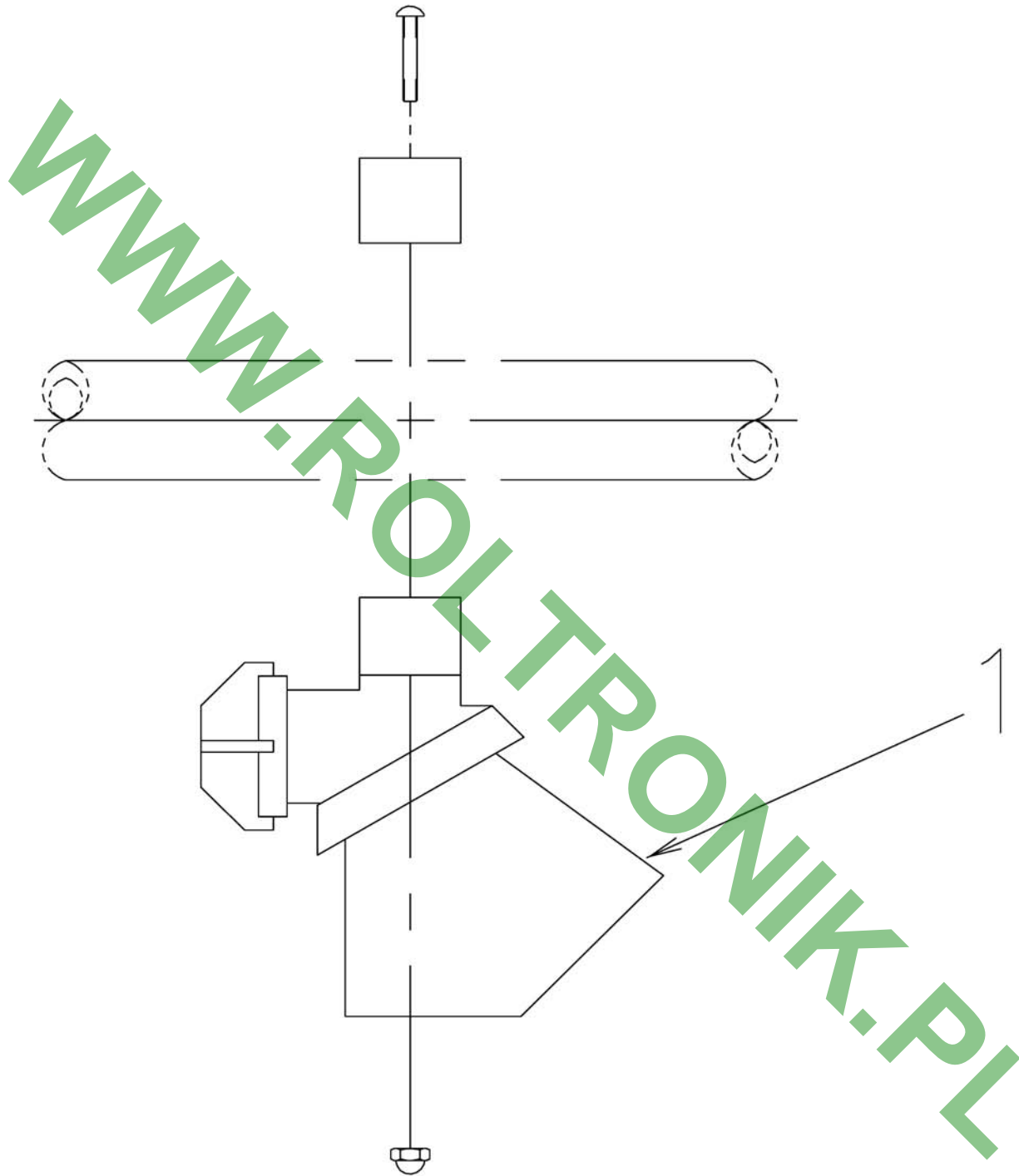
ITEM	PART #	QTY	DESCRIPTION	COMMENTS
1	AG519524	48	TRIPLE NOZZLE HOLDER .75 PIPE	SEE PAGE 4-42

WWW.ROLTRONIK.PL



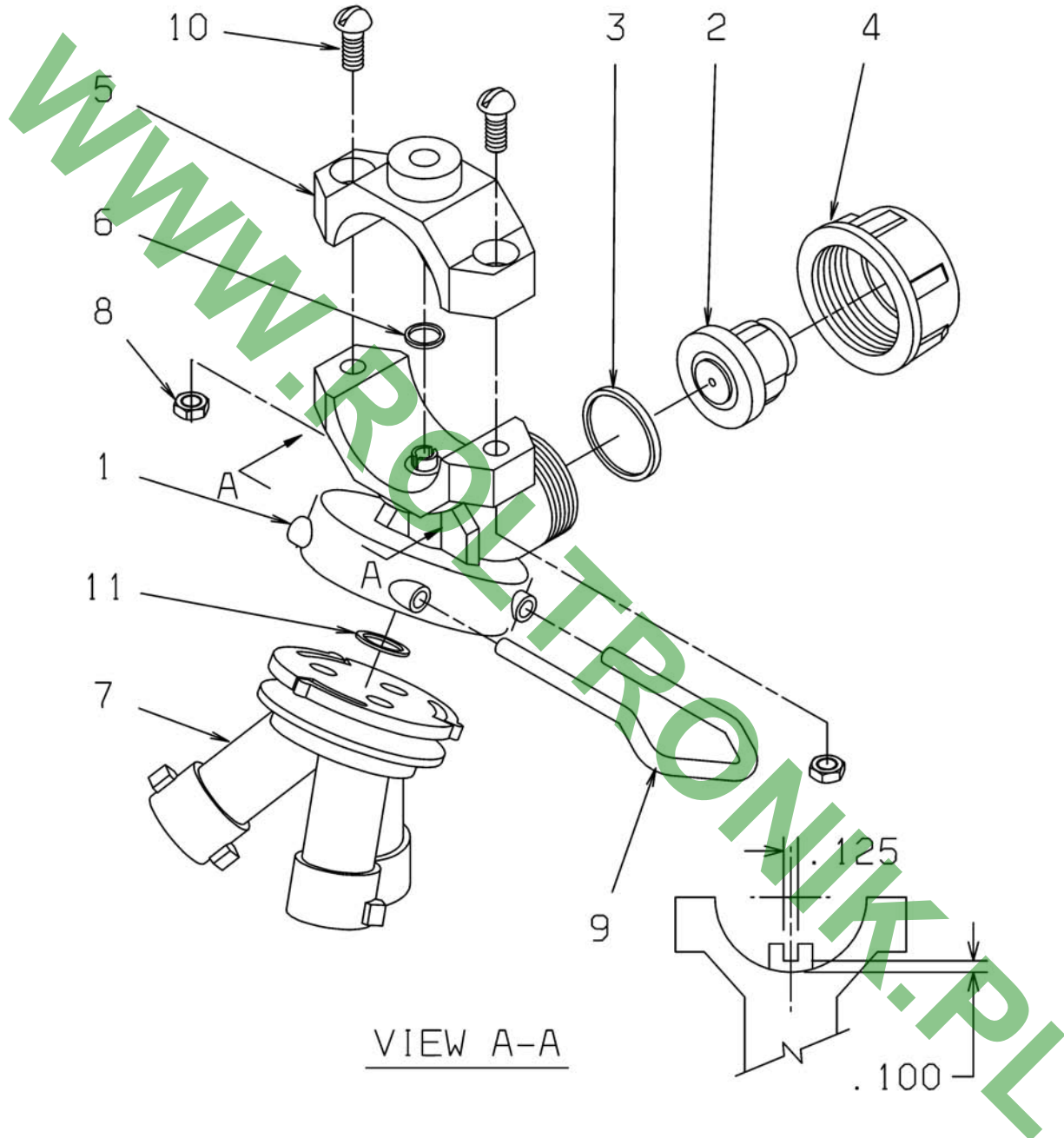
ITEM	PART #	QTY	DESCRIPTION	COMMENTS
1	AG519524	63	TRIPLE NOZZLE HOLDER .75 PIPE	SEE PAGE 4-42

WWW.ROLTRONIK.PL

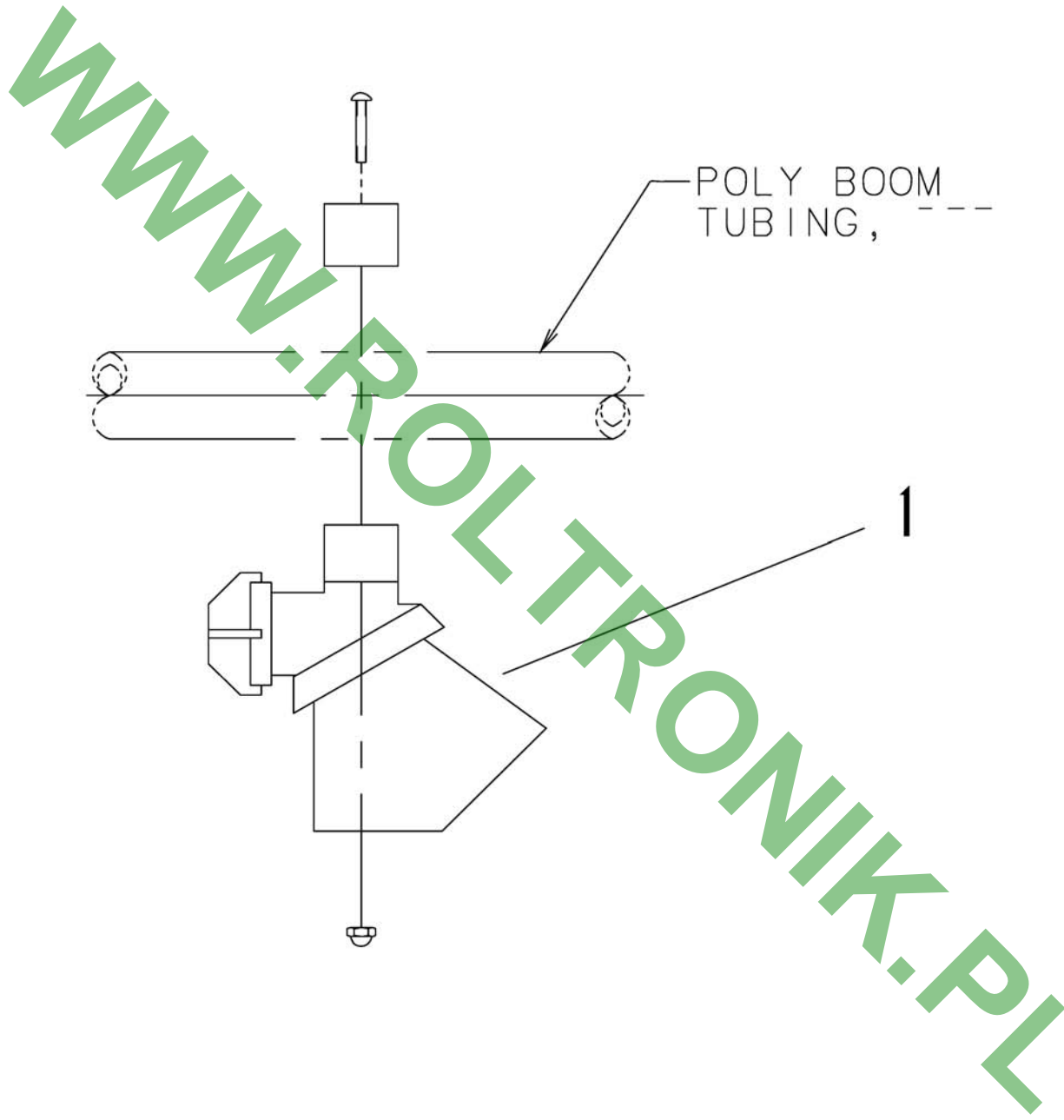


ITEM	PART #	QTY	DESCRIPTION	COMMENTS
1	AG519562	54	NOZ HLDR-TPL 1.00 IPS	SEE PAGE 3-13

WWW.ROLTRONIK.PL

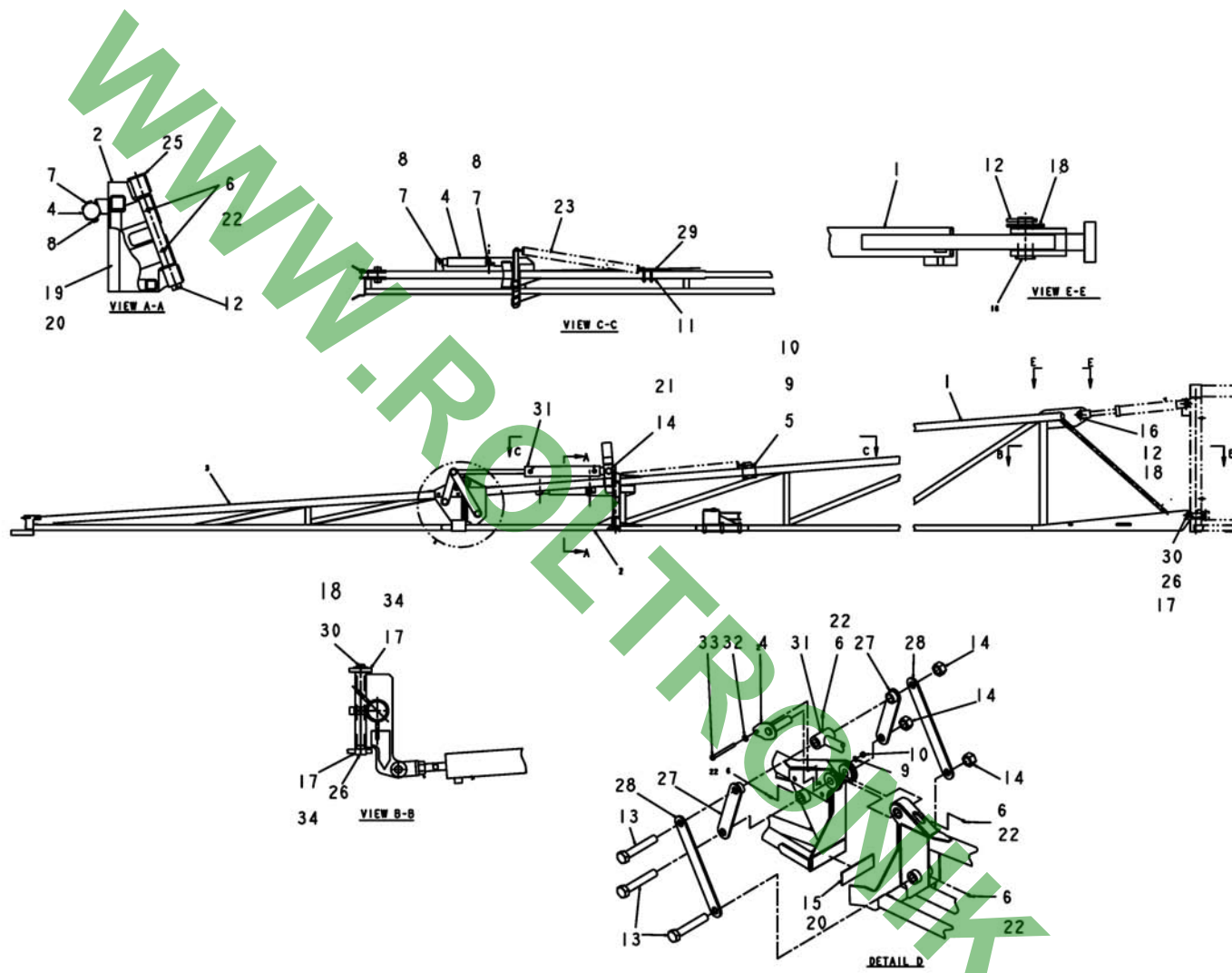


ITEM	PART #	QTY	DESCRIPTION	COMMENTS
1	AG609922	1	TRIPLE BODY FOR 1.00 IN PIPE	
2	AG609737	1	ANTI DRIP ASM 7PSI (RED)	[A]
3	AG609738	1	DIAPHRAGM EPDM	[B]
4	AG609739	1	END CAP	
5	AG609921	1	CLAMP 1.00 INCH	
6	AG609741	1	O RING	
7	AG609743	1	TRIPLE BODY	
8	AG563095	2	NUT 10-24 SS W/STAR WASHER	
9	AG609745	1	PIN	
10	AG563096	2	SCR/NUT-10-24X.75,SS,RHS	[C]
11	AG610517	1	ORING-EPDM (519524)	[D]
	FOOTNOTE [A]		DIAPHRAM ONLY AG609738	
	FOOTNOTE [A]		PART HAS BEEN CHANGED TO AG058140	
	FOOTNOTE [A]		BODY IS RED, BUT THE PLUNGER IS BLACK NOW FOR THE 8 PSI	
	FOOTNOTE [A]		3 PSI THE BODY IS RED, BUT THE PLUNGER IS ORANGE AG053372	
	FOOTNOTE [B]		AG053265 VITON DIAPHRAM	
	FOOTNOTE [C]		SLOTTED HEAD	
	FOOTNOTE [D]		USE AG609918	

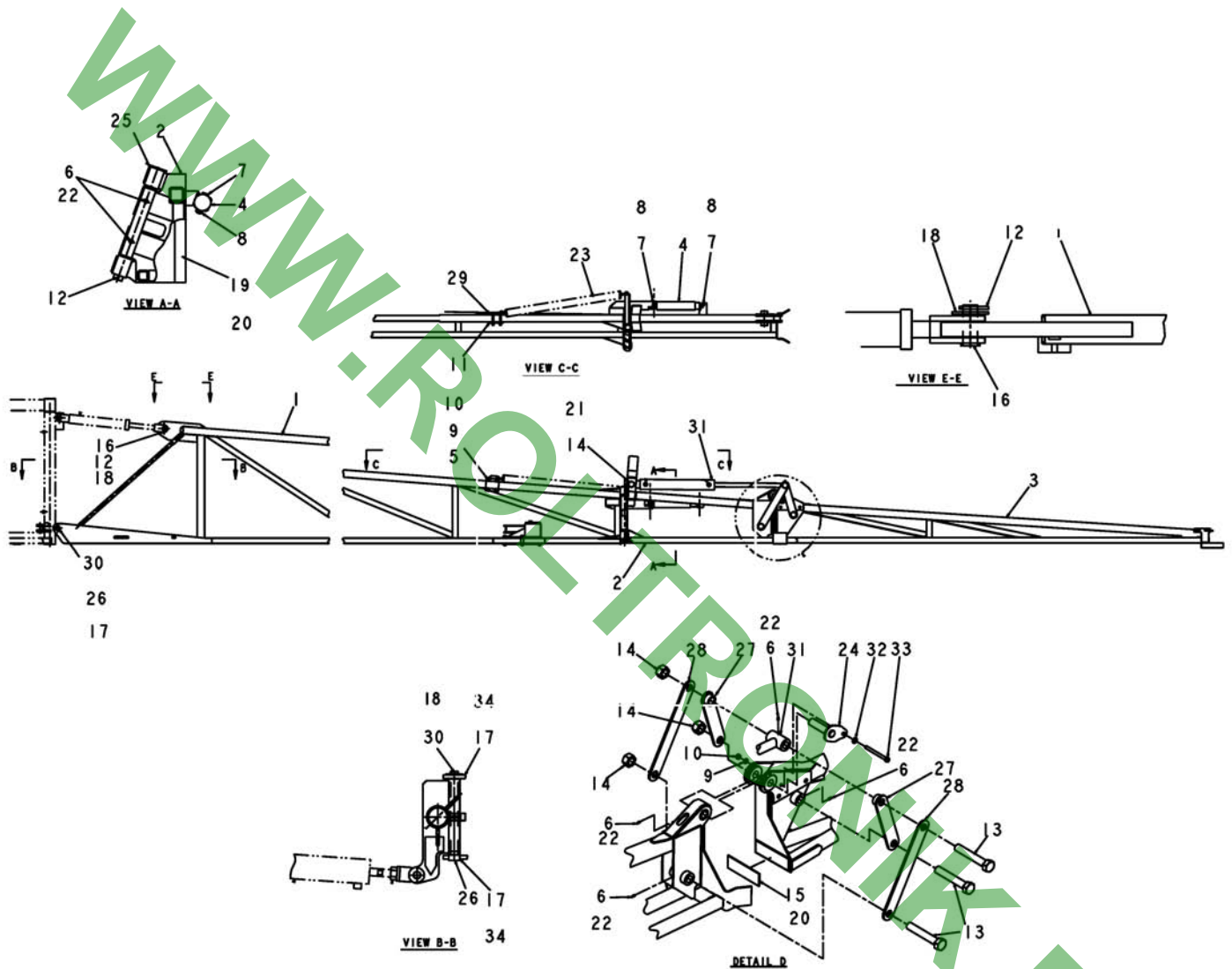


ITEM	PART #	QTY	DESCRIPTION	COMMENTS
1	AG519562	107	NOZ HLDR-TPL 1.00 IPS	SEE PAGE 3-13

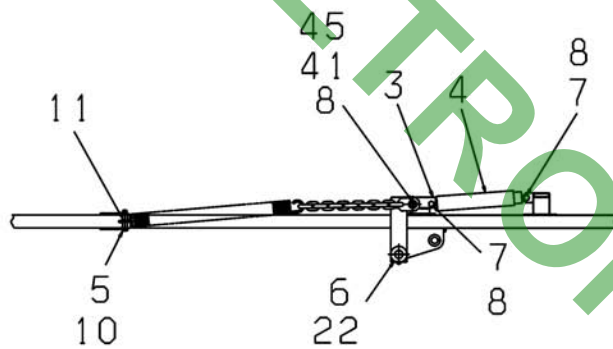
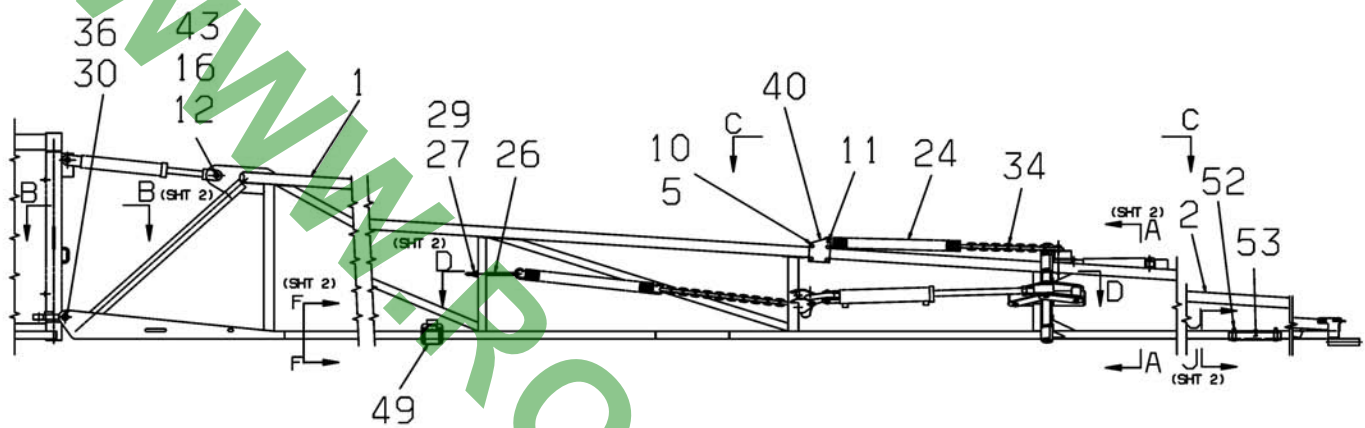
WWW.ROLTRONIK.PL



ITEM	PART #	QTY	DESCRIPTION	COMMENTS
1	AG504007	1	BOOM WLDMT-INNER,80FT,LH	
2	AG503511	1	BOOM WLDMT-MIDDLE,LH,80FT	
3	AG503469	1	TIP WLDMT-BOOM,LH,80FT	
4	AG515274	1	SHOCK ABSORBER W/BOOT	[A]
5	AG561072	4	BOLT 0.37-16NCX 3.00 G5 ZN HHD	
6	AG561892	6	FITTING LUBE STR 0.25UNF	
7	AG551392	2	BOLT 0.50-13NCX 2.75 G5 ZN HHD	
8	AG601152	2	NUT 0.50-13NC HEX ZN REG NY	
9	AG550191	5	WASHER LK 0.37 ZN REG	
10	AG550825	5	NUT 0.37-16NC HEX ZN REG	
11	AG228237	1	PLATE CLAMP	
12	AG515352	1	PIN COTTER 0.18X2.00 SS	
13	AG561667	3	BOLT 1.00- 8NCX 7.00 G5 ZN HHD	
14	AG522702	4	NUT-1.00-8,ZN,H,NY INS	
15	AG260590	1	PAD-RUBBER,BM TIP,.12THK	
16	AG602132	-	PIN CLEVIS 1.00X2.62 ZN	[B]
17	AG523653	2	BUSHING-1.00 ID X 1.25 OD	
18	AG551856	2	WASHER1.00FL ZN SAE TYPE-A	
19	AG233057	1	MATTING PAD	
20	AG512346	-	3M 1300 YELLOW ADHESIVE (GAL) [BULK: 0.001 GA]	[C]
21	AG010220	1	BOLT 1.00- 8NCX 4.00 G5 PL HHD	
22	AG511099	-	GREASE-MULTI PURPOSE LITH. [BULK: 0.001 LB]	
23	AG517793	1	SPRING EXTENSION 2 IN ODX 25.75	
24	AG260631	1	PIN WLDMT-PIVOT,BOOM TIP	
25	AG229828	1	PIN WLDMT PIVOT HD	
26	AG308378	1	WLDMT BOOM PIN	[D]
27	AG260592	2	BAR WLDMT-LINK,SHORT	
28	AG229905	2	BAR LINK LONG	
29	AG228236	1	PLATE MOUNT SPRING	
30	AG516106	1	PIN LYNCH 0.31X1.68	
31	AG235991	1	CYLINDER ASM- BOOM TIP FOLD	SEE PAGE 5-27
32	AG550981	1	WASHER 0.37 FL ZN SAE TYPE-A	
33	AG561698	1	BOLT 0.37-16NCX 4.25 G5 ZN HHD	
34	AG522980	AR	LOCTITE-603,GREEN	
	FOOTNOTE [A]		AG609376 - BOOT ONLY	
	FOOTNOTE [B]		NON-GREASABLE, CAN USE AG519637-- GREASABLE	
	FOOTNOTE [C]		AG717696 RUBBER ADHESIVE IN PINTS	
	FOOTNOTE [D]		AG516106 - LYNCH PIN	

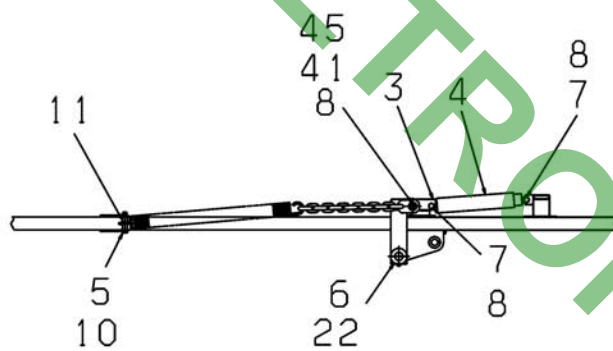
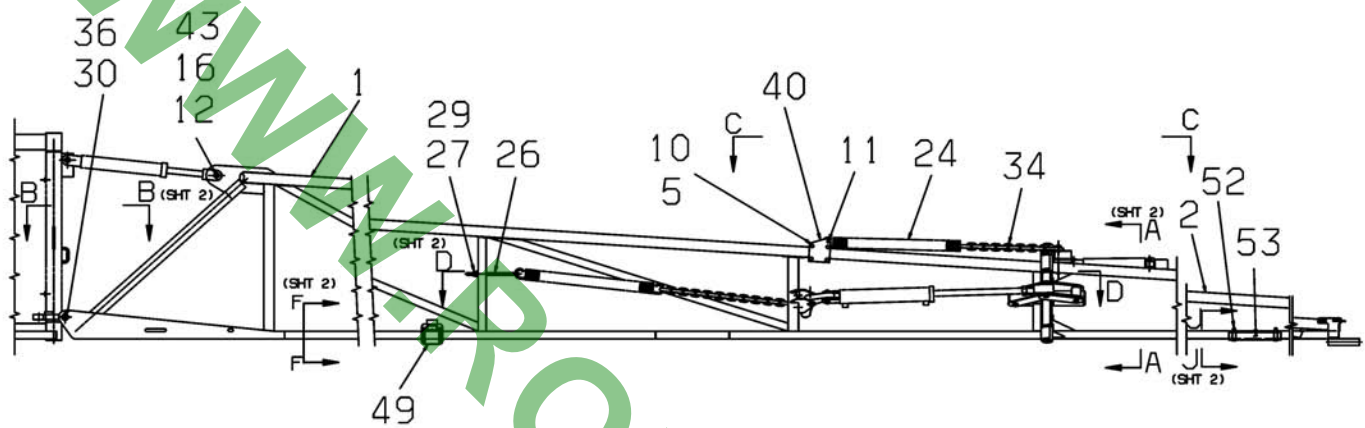


ITEM	PART #	QTY	DESCRIPTION	COMMENTS
1	AG504006	1	BOOM WLDMT-INNER,80FT,RH	
2	AG503510	1	BOOM WLDMT-MIDDLE,RH,80FT	
3	AG503468	1	TIP WLDMT-BOOM,RH,80FT	
4	AG515274	1	SHOCK ABSORBER W/BOOT	[A]
5	AG561072	4	BOLT 0.37-16NCX 3.00 G5 ZN HHD	
6	AG561892	6	FITTING LUBE STR 0.25UNF	
7	AG551392	2	BOLT 0.50-13NCX 2.75 G5 ZN HHD	
8	AG601152	2	NUT 0.50-13NC HEX ZN REG NY	
9	AG550191	5	WASHER LK 0.37 ZN REG	
10	AG550825	5	NUT 0.37-16NC HEX ZN REG	
11	AG228237	1	PLATE CLAMP	
12	AG515352	1	PIN COTTER 0.18X2.00 SS	
13	AG561667	3	BOLT 1.00- 8NCX 7.00 G5 ZN HHD	
14	AG522702	4	NUT-1.00-8,ZN,H,NY INS	
15	AG260590	1	PAD-RUBBER,BM TIP,,12THK	
16	AG602132	-	PIN CLEVIS 1.00X2.62 ZN	[B]
17	AG523653	2	BUSHING-1.00 ID X 1.25 OD	
18	AG551856	2	WASHER1.00FL ZN SAE TYPE-A	
19	AG233057	1	MATTING PAD	
20	AG512346	-	3M 1300 YELLOW ADHESIVE (GAL) [BULK: 0.001 GA]	[C]
21	AG010220	1	BOLT 1.00- 8NCX 4.00 G5 PL HHD	
22	AG511099	-	GREASE-MULTI PURPOSE LITH. [BULK: 0.001 LB]	
23	AG517793	1	SPRING EXTENSION 2 IN ODX 25.75	
24	AG260631	1	PIN WLDMT-PIVOT,BOOM TIP	
25	AG229828	1	PIN WLDMT PIVOT HD	
26	AG308378	1	WLDMT BOOM PIN	[D]
27	AG260592	2	BAR WLDMT-LINK,SHORT	
28	AG229905	2	BAR LINK LONG	
29	AG228236	1	PLATE MOUNT SPRING	
30	AG516106	1	PIN LYNCH 0.31X1.68	
31	AG235991	1	CYLINDER ASM- BOOM TIP FOLD	SEE PAGE 5-27
32	AG550981	1	WASHER 0.37 FL ZN SAE TYPE-A	
33	AG561698	1	BOLT 0.37-16NCX 4.25 G5 ZN HHD	
34	AG522980	AR	LOCTITE-603,GREEN	
	FOOTNOTE [A]		AG609376 - BOOT ONLY	
	FOOTNOTE [B]		NON-GREASABLE, CAN USE AG519637-- GREASABLE	
	FOOTNOTE [C]		AG717696 RUBBER ADHESIVE IN PINTS	
	FOOTNOTE [D]		AG516106 - LYNCH PIN	



VIEW C-C

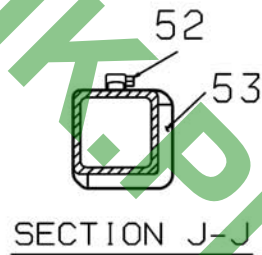
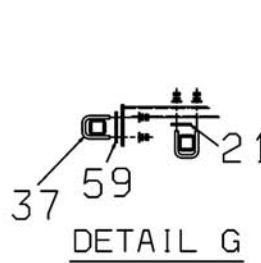
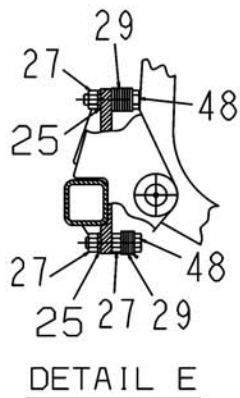
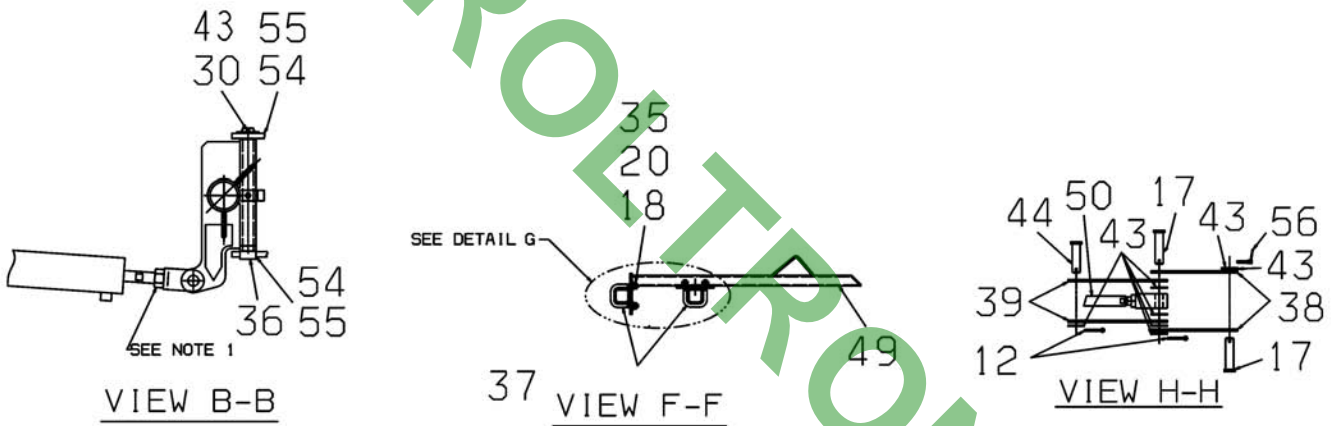
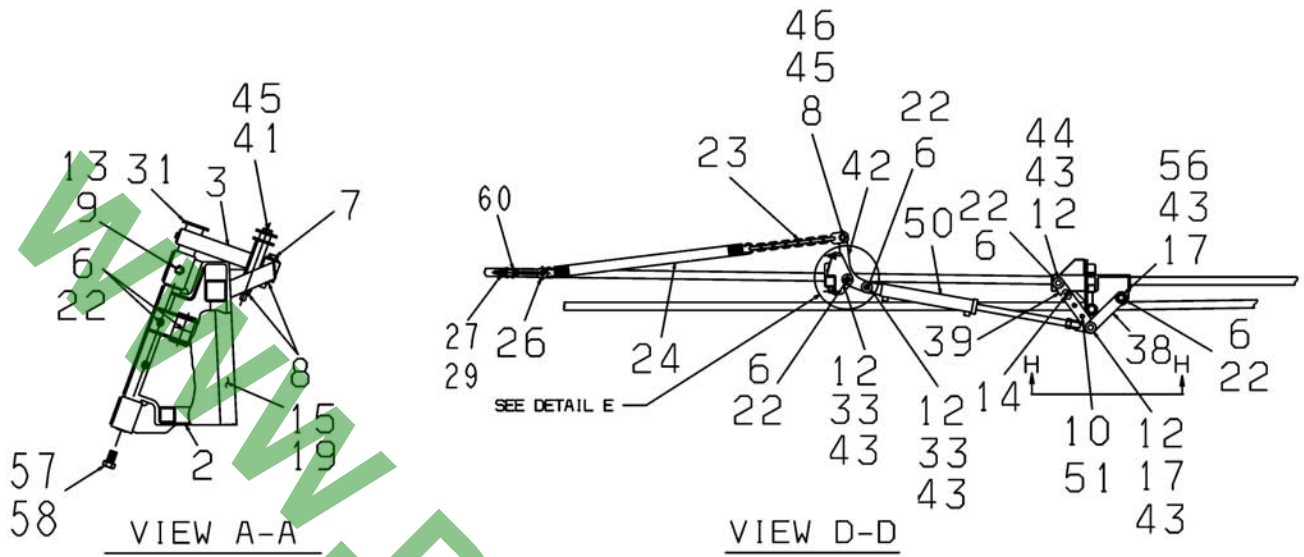
ITEM	PART #	QTY	DESCRIPTION	COMMENTS
1	AG504508	1	BOOM WLDMT-INNER,90/100FT,RH	
2	AG504542	1	BOOM WLDMT-BRKAWY,RH,90FT	
3	AG309923	1	MOUNT SHOCK WLDMT	
4	AG515274	1	SHOCK ABSORBER W/BOOT	[A]
5	AG561072	4	BOLT 0.37-16NCX 3.00 G5 ZN HHD	
6	AG561892	7	FITTING LUBE STR 0.25UNF	
7	AG551392	2	BOLT 0.50-13NCX 2.75 G5 ZN HHD	
8	AG601152	5	NUT 0.50-13NC HEX ZN REG NY	
9	AG550612	1	NUT 0.25-20NC HEX ZN REG	
10	AG601411	5	NUT 0.37-16NC HEX ZN REG LK NY	
11	AG230238	1	TUBE SPACER	
12	AG515352	4	PIN COTTER 0.18X2.00 SS	
13	AG561078	1	SCREW .25-20X 0.75 SET PL CPSQ	
14	AG230812	3	TUBE SPACER LINK	
15	AG512346	-	3M 1300 YELLOW ADHESIVE (GAL) [BULK: 0.001 GA]	[B]
16	AG602132	-	PIN CLEVIS 1.00X2.62 ZN	[C]
17	AG522058	2	PIN-CLEVIS 1.00 X4.00	
18	AG550205	8	WASHER LK 0.31 ZN REG	
19	AG233057	1	MATTING PAD	
20	AG551015	8	WASHER 0.31 FL ZN REG TYPE-B	
21	AG232797	AR	SHIM PLATE	
22	AG511099	-	GREASE-MULTI PURPOSE LITH. [BULK: 0.001 LB]	
23	505428D1	1	CHAIN WLDMT-PIVOT PLATE	
24	AG517793	2	SPRING EXTENSION 2 IN ODX 25.75	
25	AG550264	2	WASHER 0.50 LK ZN REG	
26	6626401	1	BOLT-EYE	
27	AG550124	6	NUT 0.50-13NC HEX ZN REG	
29	AG514554	15	WASHER-FL,.50,ZN,G8,REG	
30	AG516106	1	PIN LYNCH 0.31X1.68	
31	AG232241	1	PIN WELDMENT PIVOT	
33	AG522057	2	PIN-CLEVIS 1.00 X 2.69	
34	AG230263	1	CHAIN BREAKAWAY WLDMT	[D]
35	AG550213	8	NUT 0.31-18NC HEX ZN REG	
36	AG308378	1	WLDMT BOOM PIN	[E]
37	AG209384	4	BOLT-U .31-18X1.56X 2.46SQG5ZN	
38	AG230129	2	BAR LINK SHORT	
39	AG262985	2	LINK-LONG	
40	AG230237	2	PLATE MOUNT SPRING	
41	AG561203	1	BOLT 0.50-13NCX 6.50 G5 ZN HHD	
42	AG309966	1	PLATE PIVOT WLDMT RH	
43	AG551856	10	WASHER1.00FL ZN SAE TYPE-A	
44	AG522056	1	PIN-CLEVIS,1.00 X 3.62	
45	AG550353	2	WASHER 0.50 FL ZN REG TYPE-B	
46	AG552410	1	BOLT 0.50-13NCX 4.00 G5 ZN HHD	
48	AG523563	2	BOLT-.50-13X2.25,G5,ZN,HHD,FT	
49	AG326423	1	REST WLDMT-BOOM	
50	AG261799	1	CYLINDER ASM-BOOM TIP FOLD	SEE PAGE 5-25
51	AG551058	7	BOLT 0.37-16NCX 3.25 G5 ZN HHD	
52	AG561218	2	CLAMP 1.31-2.25 HOSE 28HS	
53	AG260770	1	ANGLE-WEAR,UHMW	
54	AG523653	2	BUSHING-1.00 ID X 1.25 OD	
55	AG522980	AR	LOCTITE-603,GREEN	
56	AG524255	1	PIN-LYNCH,.25X1.56,ZN	
57	AG512885	AR	LOCTITE ADHESIVE SEALANT BLUE	
58	AG126884	1	BOLT-.88-9 X 1.50,G5,HHCS,Z/Y	
59	AG108935	AR	PLATE BACKING	
60	AG263053	2	PLATE-DBLR,BOOM	
	FOOTNOTE [A]		AG609376 - BOOT ONLY	
	FOOTNOTE [B]		AG717696 RUBBER ADHESIVE IN PINTS	
	FOOTNOTE [C]		NON-GREASABLE, CAN USE AG519637-- GREASABLE	



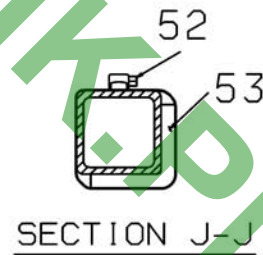
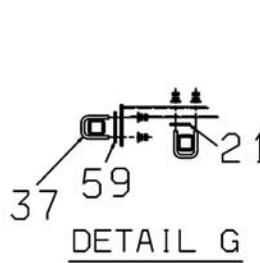
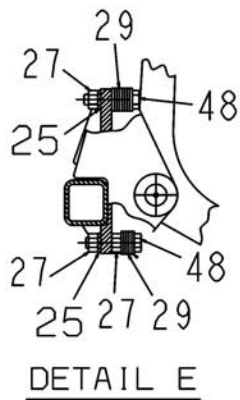
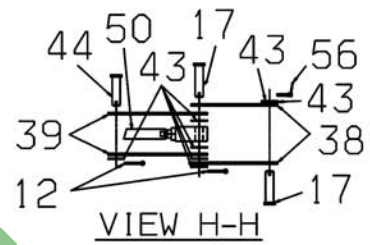
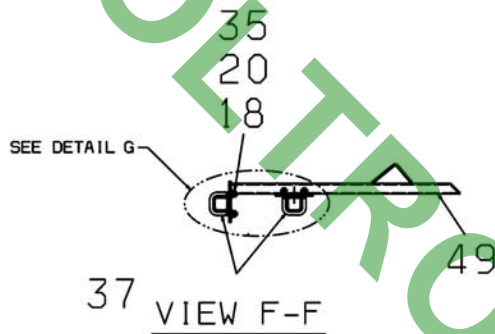
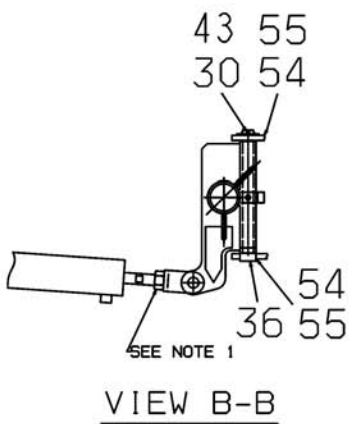
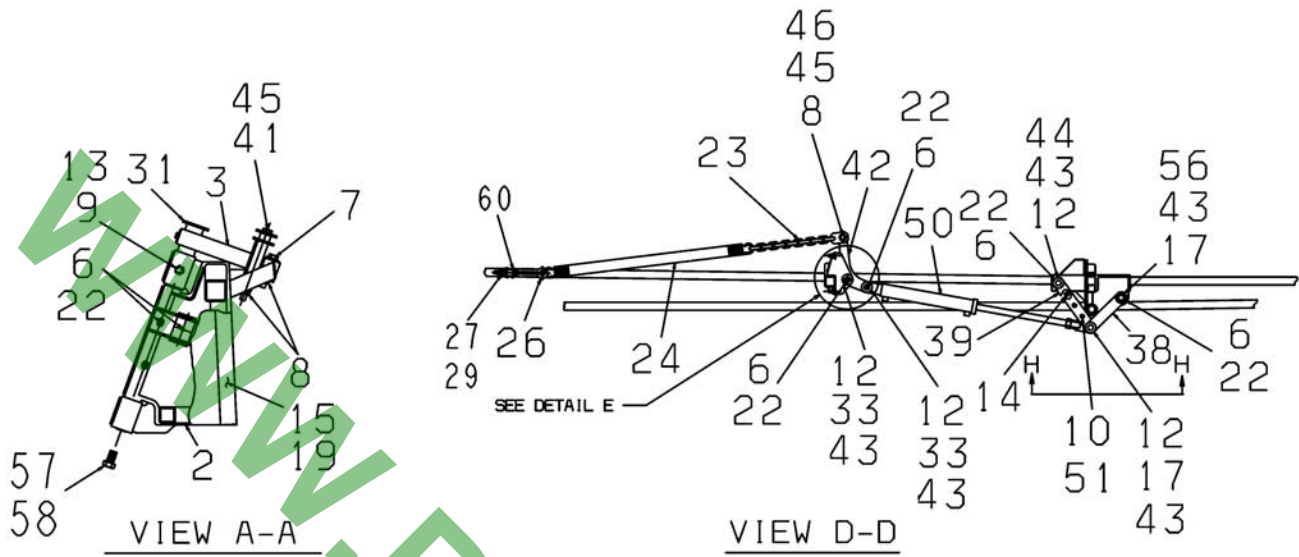
VIEW C-C

ITEM	PART #	QTY	DESCRIPTION	COMMENTS
	FOOTNOTE [D] FOOTNOTE [E]		THESE ARE THE BOOM TIP CHAINS. AG516106 - LYNCH PIN	

WWW.ROLTRONIK.PL

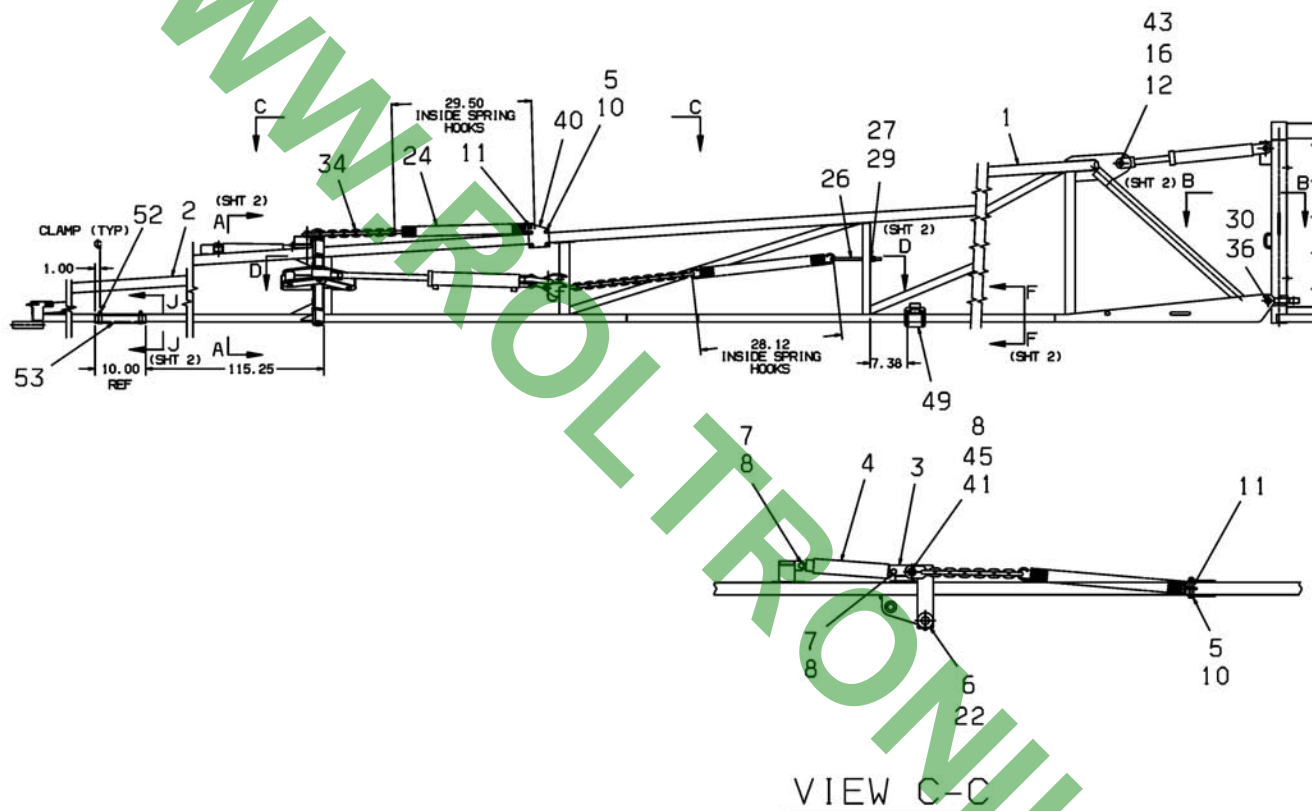


ITEM	PART #	QTY	DESCRIPTION	COMMENTS
1	AG504508	1	BOOM WLDMT-INNER,90/100FT,RH	
2	AG504542	1	BOOM WLDMT-BRKAWY,RH,90FT	
3	AG309923	1	MOUNT SHOCK WLDMT	
4	AG515274	1	SHOCK ABSORBER W/BOOT	[A]
5	AG561072	4	BOLT 0.37-16NCX 3.00 G5 ZN HHD	
6	AG561892	7	FITTING LUBE STR 0.25UNF	
7	AG551392	2	BOLT 0.50-13NCX 2.75 G5 ZN HHD	
8	AG601152	5	NUT 0.50-13NC HEX ZN REG NY	
9	AG550612	1	NUT 0.25-20NC HEX ZN REG	
10	AG601411	5	NUT 0.37-16NC HEX ZN REG LK NY	
11	AG230238	1	TUBE SPACER	
12	AG515352	4	PIN COTTER 0.18X2.00 SS	
13	AG561078	1	SCREW .25-20X 0.75 SET PL CPSQ	
14	AG230812	3	TUBE SPACER LINK	
15	AG512346	-	3M 1300 YELLOW ADHESIVE (GAL) [BULK: 0.001 GA]	[B]
16	AG602132	-	PIN CLEVIS 1.00X2.62 ZN	[C]
17	AG522058	2	PIN-CLEVIS 1.00 X4.00	
18	AG550205	8	WASHER LK 0.31 ZN REG	
19	AG233057	1	MATTING PAD	
20	AG551015	8	WASHER 0.31 FL ZN REG TYPE-B	
21	AG232797	AR	SHIM PLATE	
22	AG511099	-	GREASE-MULTI PURPOSE LITH. [BULK: 0.001 LB]	
23	505428D1	1	CHAIN WLDMT-PIVOT PLATE	
24	AG517793	2	SPRING EXTENSION 2 IN ODX 25.75	
25	AG550264	2	WASHER 0.50 LK ZN REG	
26	6626401	1	BOLT-EYE	
27	AG550124	6	NUT 0.50-13NC HEX ZN REG	
29	AG514554	15	WASHER-FL,.50,ZN,G8,REG	
30	AG516106	1	PIN LYNCH 0.31X1.68	
31	AG232241	1	PIN WELDMENT PIVOT	
33	AG522057	2	PIN-CLEVIS 1.00 X 2.69	
34	AG230263	1	CHAIN BREAKAWAY WLDMT	[D]
35	AG550213	8	NUT 0.31-18NC HEX ZN REG	
36	AG308378	1	WLDMT BOOM PIN	[E]
37	AG209384	4	BOLT-U .31-18X1.56X 2.46SQG5ZN	
38	AG230129	2	BAR LINK SHORT	
39	AG262985	2	LINK-LONG	
40	AG230237	2	PLATE MOUNT SPRING	
41	AG561203	1	BOLT 0.50-13NCX 6.50 G5 ZN HHD	
42	AG309966	1	PLATE PIVOT WLDMT RH	
43	AG551856	10	WASHER1.00FL ZN SAE TYPE-A	
44	AG522056	1	PIN-CLEVIS,1.00 X 3.62	
45	AG550353	2	WASHER 0.50 FL ZN REG TYPE-B	
46	AG552410	1	BOLT 0.50-13NCX 4.00 G5 ZN HHD	
48	AG523563	2	BOLT-.50-13X2.25,G5,ZN,HHD,FT	
49	AG326423	1	REST WLDMT-BOOM	
50	AG261799	1	CYLINDER ASM-BOOM TIP FOLD	SEE PAGE 5-25
51	AG551058	7	BOLT 0.37-16NCX 3.25 G5 ZN HHD	
52	AG561218	2	CLAMP 1.31-2.25 HOSE 28HS	
53	AG260770	1	ANGLE-WEAR,UHMW	
54	AG523653	2	BUSHING-1.00 ID X 1.25 OD	
55	AG522980	AR	LOCTITE-603,GREEN	
56	AG524255	1	PIN-LYNCH,.25X1.56,ZN	
57	AG512885	AR	LOCTITE ADHESIVE SEALANT BLUE	
58	AG126884	1	BOLT-.88-9 X 1.50,G5,HHCS,Z/Y	
59	AG108935	AR	PLATE BACKING	
60	AG263053	2	PLATE-DBLR,BOOM	
	FOOTNOTE [A]		AG609376 - BOOT ONLY	
	FOOTNOTE [B]		AG717696 RUBBER ADHESIVE IN PINTS	
	FOOTNOTE [C]		NON-GREASABLE, CAN USE AG519637-- GREASABLE	

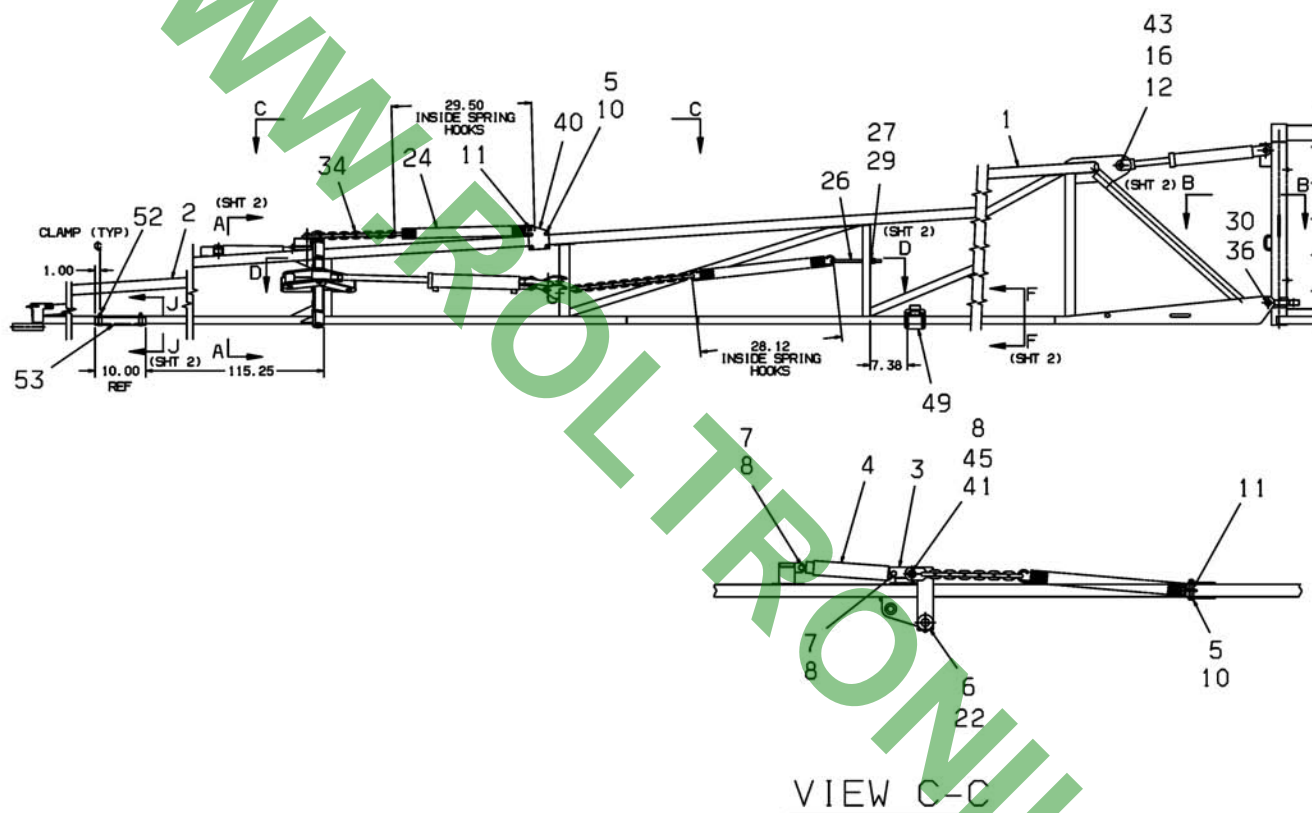


ITEM	PART #	QTY	DESCRIPTION	COMMENTS
	FOOTNOTE [D] FOOTNOTE [E]		THESE ARE THE BOOM TIP CHAINS. AG516106 - LYNCH PIN	

WWW.ROLTRONIK.PL

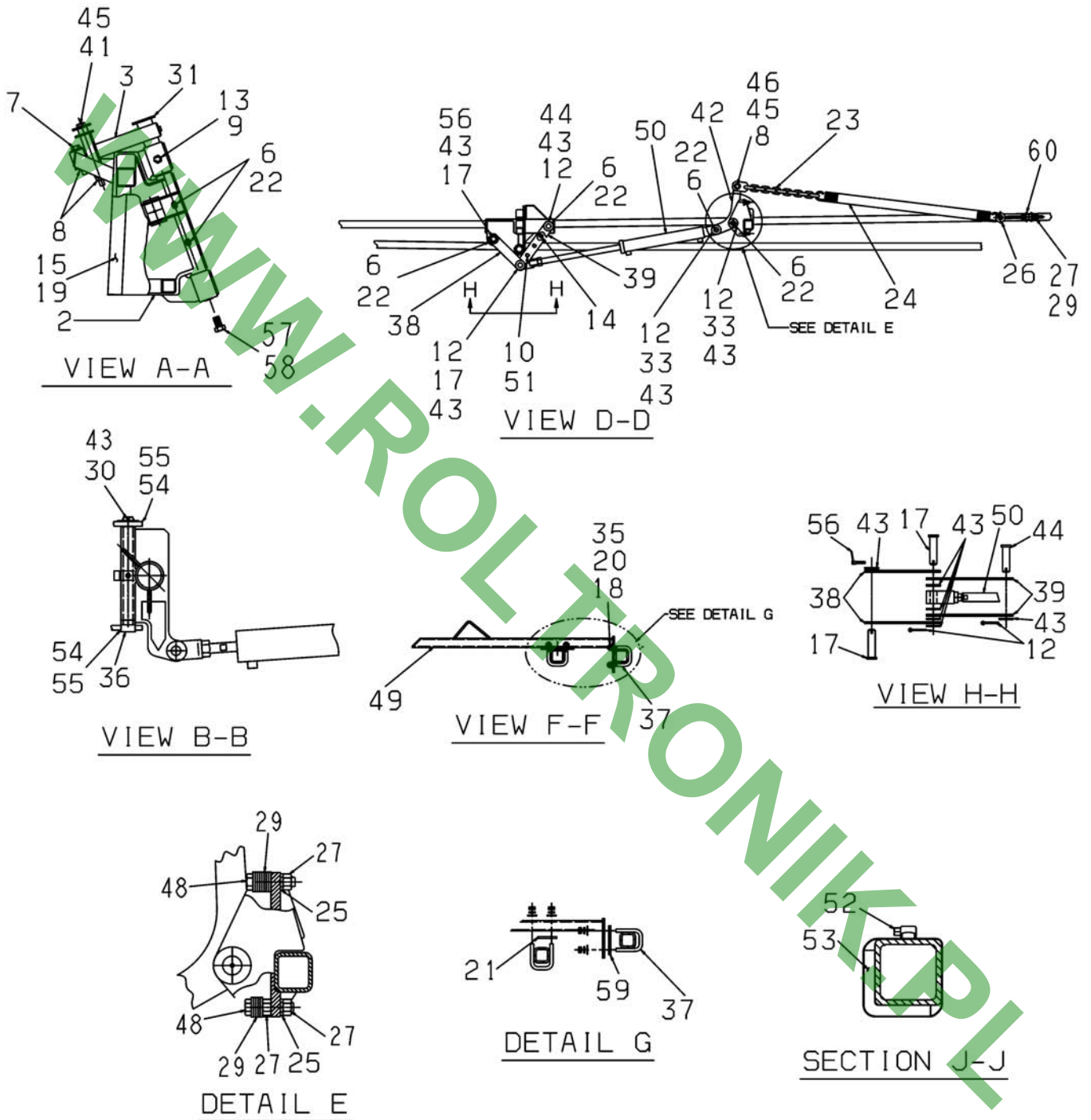


ITEM	PART #	QTY	DESCRIPTION	COMMENTS
1	AG504507	1	BOOM WLDMT-INNER,90/100FT,LH	
2	AG504543	1	BOOM WLDMT-BRKAWY,LH,90FT	
3	AG309923	1	MOUNT SHOCK WLDMT	
4	AG515274	1	SHOCK ABSORBER W/BOOT	[A]
5	AG561072	4	BOLT 0.37-16NCX 3.00 G5 ZN HHD	
6	AG561892	7	FITTING LUBE STR 0.25UNF	
7	AG551392	2	BOLT 0.50-13NCX 2.75 G5 ZN HHD	
8	AG601152	5	NUT 0.50-13NC HEX ZN REG NY	
9	AG550612	1	NUT 0.25-20NC HEX ZN REG	
10	AG601411	5	NUT 0.37-16NC HEX ZN REG LK NY	
11	AG230238	1	TUBE SPACER	
12	AG515352	4	PIN COTTER 0.18X2.00 SS	
13	AG561078	1	SCREW .25-20X 0.75 SET PL CPSQ	
14	AG230812	3	TUBE SPACER LINK	
15	AG512346	-	3M 1300 YELLOW ADHESIVE (GAL) [BULK: 0.001 GA]	[B]
16	AG602132	-	PIN CLEVIS 1.00X2.62 ZN	[C]
17	AG522058	2	PIN-CLEVIS 1.00 X4.00	
18	AG550205	8	WASHER LK 0.31 ZN REG	
19	AG233057	1	MATTING PAD	
20	AG551015	8	WASHER 0.31 FL ZN REG TYPE-B	
21	AG232797	AR	SHIM PLATE	
22	AG511099	-	GREASE-MULTI PURPOSE LITH. [BULK: 0.001 LB]	
23	505428D1	1	CHAIN WLDMT-PIVOT PLATE	
24	AG517793	2	SPRING EXTENSION 2 IN ODX 25.75	
25	AG550264	2	WASHER 0.50 LK ZN REG	
26	6626401	1	BOLT-EYE	
27	AG550124	6	NUT 0.50-13NC HEX ZN REG	
29	AG514554	15	WASHER-FL,.50,ZN,G8,REG	
30	AG516106	1	PIN LYNCH 0.31X1.68	
31	AG232241	1	PIN WELDMENT PIVOT	
33	AG522057	2	PIN-CLEVIS 1.00 X 2.69	
34	AG230263	1	CHAIN BREAKAWAY WLDMT	[D]
35	AG550213	8	NUT 0.31-18NC HEX ZN REG	
36	AG308378	1	WLDMT BOOM PIN	[E]
37	AG209384	4	BOLT-U .31-18X1.56X 2.46SQG5ZN	
38	AG230129	2	BAR LINK SHORT	
39	AG262985	2	LINK-LONG	
40	AG230237	2	PLATE MOUNT SPRING	
41	AG561203	1	BOLT 0.50-13NCX 6.50 G5 ZN HHD	
42	AG309967	1	PLATE PIVOT WLDMT LH	
43	AG551856	10	WASHER1.00FL ZN SAE TYPE-A	
44	AG522056	1	PIN-CLEVIS,1.00 X 3.62	
45	AG550353	2	WASHER 0.50 FL ZN REG TYPE-B	
46	AG552410	1	BOLT 0.50-13NCX 4.00 G5 ZN HHD	
48	AG523563	2	BOLT-.50-13X2.25,G5,ZN,HHD,FT	
49	AG326423	1	REST WLDMT-BOOM	
50	AG261799	1	CYLINDER ASM-BOOM TIP FOLD	SEE PAGE 5-25
51	AG551058	7	BOLT 0.37-16NCX 3.25 G5 ZN HHD	
52	AG561218	2	CLAMP 1.31-2.25 HOSE 28HS	
53	AG260770	1	ANGLE-WEAR,UHMW	
54	AG523653	2	BUSHING-1.00 ID X 1.25 OD	
55	AG522980	AR	LOCTITE-603,GREEN	
56	AG524255	1	PIN-LYNCH,.25X1.56,ZN	
57	AG512885	AR	LOCTITE ADHESIVE SEALANT BLUE	
58	AG126884	1	BOLT-.88-9 X 1.50,G5,HHCS,Z/Y	
59	AG108935	AR	PLATE BACKING	
60	AG263053	2	PLATE-DBLR,BOOM	
	FOOTNOTE [A]		AG609376 - BOOT ONLY	
	FOOTNOTE [B]		AG717696 RUBBER ADHESIVE IN PINTS	
	FOOTNOTE [C]		NON-GREASABLE, CAN USE AG519637-- GREASABLE	

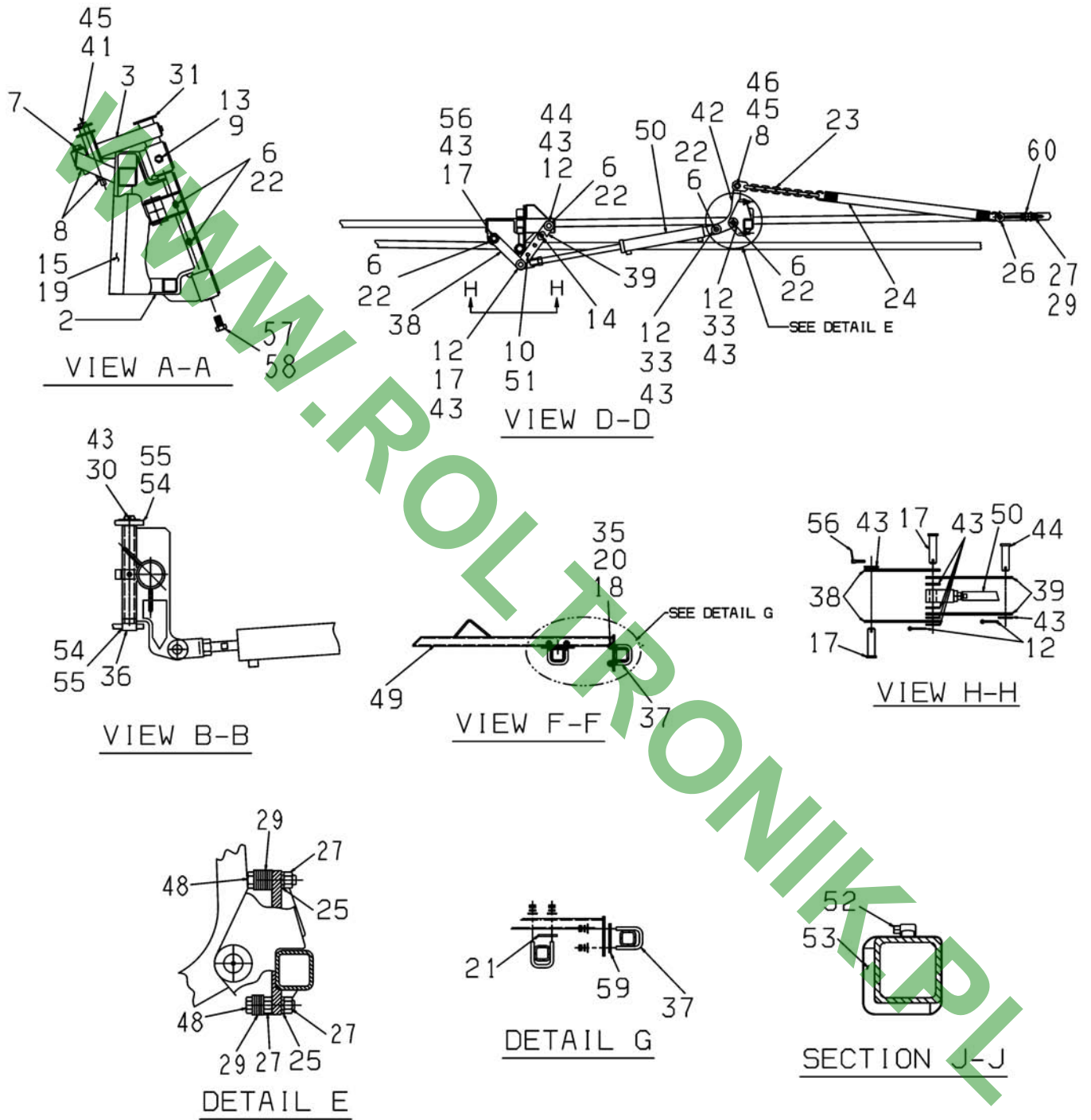


ITEM	PART #	QTY	DESCRIPTION	COMMENTS
	FOOTNOTE [D] FOOTNOTE [E]		THESE ARE THE BOOM TIP CHAINS. AG516106 - LYNCH PIN	

WWW.ROLTRONIK.PL

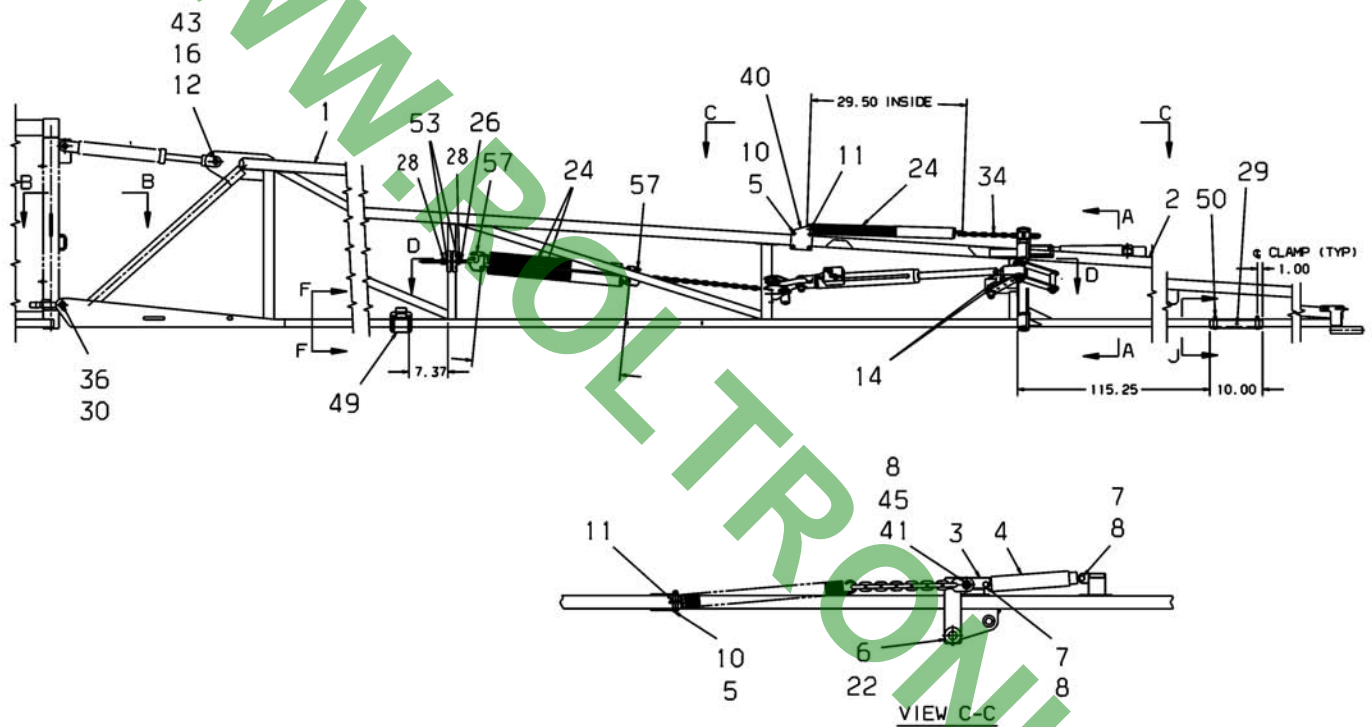


ITEM	PART #	QTY	DESCRIPTION	COMMENTS
1	AG504507	1	BOOM WLDMT-INNER,90/100FT,LH	
2	AG504543	1	BOOM WLDMT-BRKAWY,LH,90FT	
3	AG309923	1	MOUNT SHOCK WLDMT	
4	AG515274	1	SHOCK ABSORBER W/BOOT	[A]
5	AG561072	4	BOLT 0.37-16NCX 3.00 G5 ZN HHD	
6	AG561892	7	FITTING LUBE STR 0.25UNF	
7	AG551392	2	BOLT 0.50-13NCX 2.75 G5 ZN HHD	
8	AG601152	5	NUT 0.50-13NC HEX ZN REG NY	
9	AG550612	1	NUT 0.25-20NC HEX ZN REG	
10	AG601411	5	NUT 0.37-16NC HEX ZN REG LK NY	
11	AG230238	1	TUBE SPACER	
12	AG515352	4	PIN COTTER 0.18X2.00 SS	
13	AG561078	1	SCREW .25-20X 0.75 SET PL CPSQ	
14	AG230812	3	TUBE SPACER LINK	
15	AG512346	-	3M 1300 YELLOW ADHESIVE (GAL) [BULK: 0.001 GA]	[B]
16	AG602132	-	PIN CLEVIS 1.00X2.62 ZN	[C]
17	AG522058	2	PIN-CLEVIS 1.00 X4.00	
18	AG550205	8	WASHER LK 0.31 ZN REG	
19	AG233057	1	MATTING PAD	
20	AG551015	8	WASHER 0.31 FL ZN REG TYPE-B	
21	AG232797	AR	SHIM PLATE	
22	AG511099	-	GREASE-MULTI PURPOSE LITH. [BULK: 0.001 LB]	
23	505428D1	1	CHAIN WLDMT-PIVOT PLATE	
24	AG517793	2	SPRING EXTENSION 2 IN ODX 25.75	
25	AG550264	2	WASHER 0.50 LK ZN REG	
26	6626401	1	BOLT-EYE	
27	AG550124	6	NUT 0.50-13NC HEX ZN REG	
29	AG514554	15	WASHER-FL,.50,ZN,G8,REG	
30	AG516106	1	PIN LYNCH 0.31X1.68	
31	AG232241	1	PIN WELDMENT PIVOT	
33	AG522057	2	PIN-CLEVIS 1.00 X 2.69	
34	AG230263	1	CHAIN BREAKAWAY WLDMT	[D]
35	AG550213	8	NUT 0.31-18NC HEX ZN REG	
36	AG308378	1	WLDMT BOOM PIN	[E]
37	AG209384	4	BOLT-U .31-18X1.56X 2.46SQG5ZN	
38	AG230129	2	BAR LINK SHORT	
39	AG262985	2	LINK-LONG	
40	AG230237	2	PLATE MOUNT SPRING	
41	AG561203	1	BOLT 0.50-13NCX 6.50 G5 ZN HHD	
42	AG309967	1	PLATE PIVOT WLDMT LH	
43	AG551856	10	WASHER1.00FL ZN SAE TYPE-A	
44	AG522056	1	PIN-CLEVIS,1.00 X 3.62	
45	AG550353	2	WASHER 0.50 FL ZN REG TYPE-B	
46	AG552410	1	BOLT 0.50-13NCX 4.00 G5 ZN HHD	
48	AG523563	2	BOLT-.50-13X2.25,G5,ZN,HHD,FT	
49	AG326423	1	REST WLDMT-BOOM	
50	AG261799	1	CYLINDER ASM-BOOM TIP FOLD	SEE PAGE 5-25
51	AG551058	7	BOLT 0.37-16NCX 3.25 G5 ZN HHD	
52	AG561218	2	CLAMP 1.31-2.25 HOSE 28HS	
53	AG260770	1	ANGLE-WEAR,UHMW	
54	AG523653	2	BUSHING-1.00 ID X 1.25 OD	
55	AG522980	AR	LOCTITE-603,GREEN	
56	AG524255	1	PIN-LYNCH,.25X1.56,ZN	
57	AG512885	AR	LOCTITE ADHESIVE SEALANT BLUE	
58	AG126884	1	BOLT-.88-9 X 1.50,G5,HHCS,Z/Y	
59	AG108935	AR	PLATE BACKING	
60	AG263053	2	PLATE-DBLR,BOOM	
	FOOTNOTE [A]		AG609376 - BOOT ONLY	
	FOOTNOTE [B]		AG717696 RUBBER ADHESIVE IN PINTS	
	FOOTNOTE [C]		NON-GREASABLE, CAN USE AG519637-- GREASABLE	

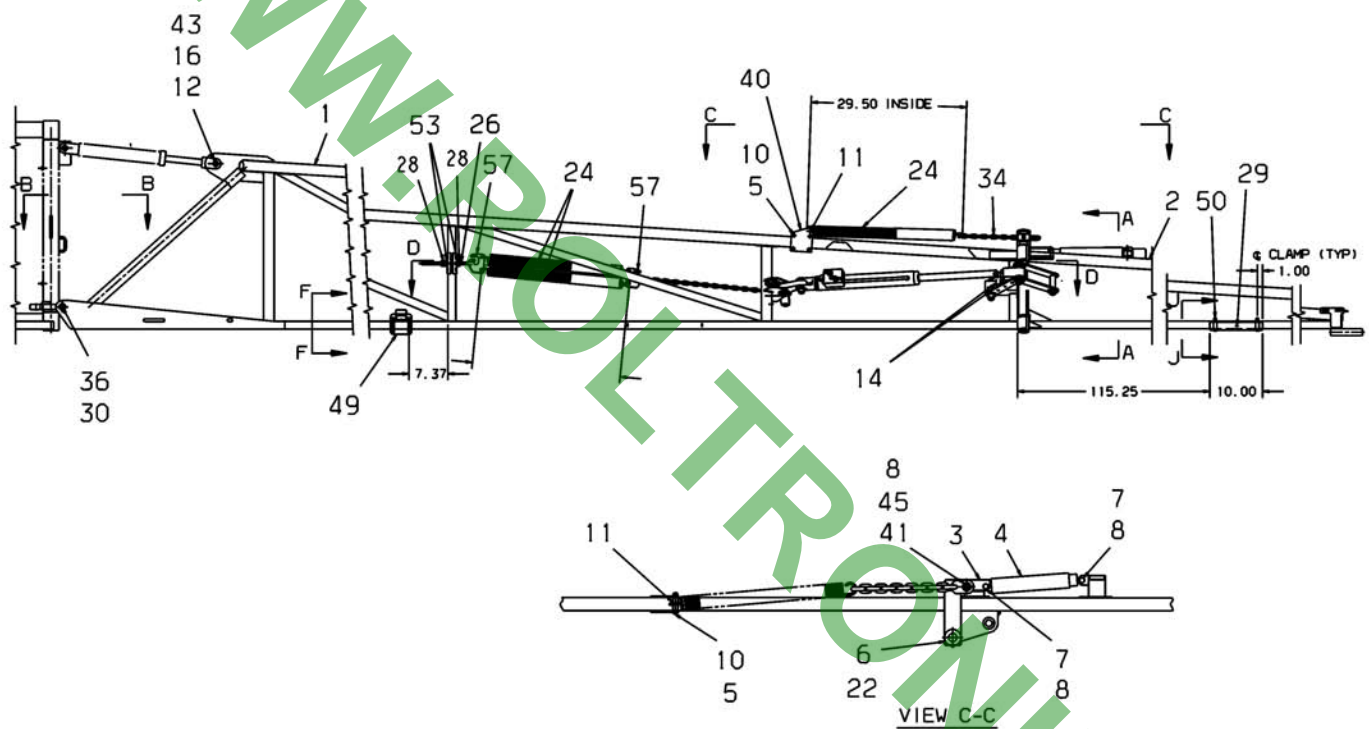


ITEM	PART #	QTY	DESCRIPTION	COMMENTS
	FOOTNOTE [D] FOOTNOTE [E]		THESE ARE THE BOOM TIP CHAINS. AG516106 - LYNCH PIN	

WWW.ROLTRONIK.PL

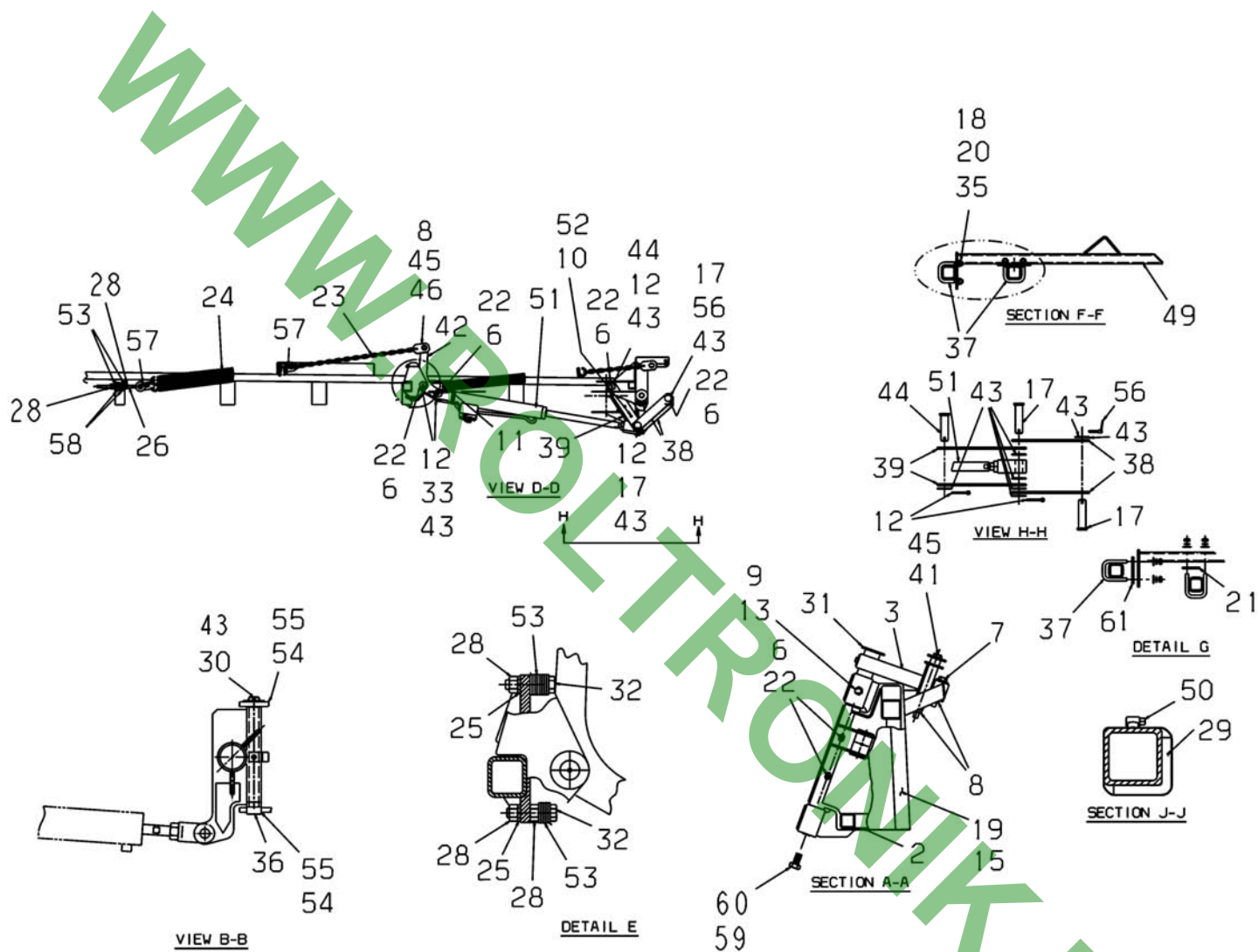


ITEM	PART #	QTY	DESCRIPTION	COMMENTS
1	AG504508	1	BOOM WLDMT-INNER,90/100FT,RH	
2	AG504510	1	BOOM WLDMT-BRKAWY,RH,100FT	
3	AG309923	1	MOUNT SHOCK WLDMT	
4	AG515274	1	SHOCK ABSORBER W/BOOT	[A]
5	AG561072	5	BOLT 0.37-16NCX 3.00 G5 ZN HHD	
6	AG561892	7	FITTING LUBE STR 0.25UNF	
7	AG551392	2	BOLT 0.50-13NCX 2.75 G5 ZN HHD	
8	AG601152	5	NUT 0.50-13NC HEX ZN REG NY	
9	AG550612	1	NUT 0.25-20NC HEX ZN REG	
10	AG601411	8	NUT 0.37-16NC HEX ZN REG LK NY	
11	AG230238	1	TUBE SPACER	
12	AG515352	4	PIN COTTER 0.18X2.00 SS	
13	AG561078	1	SCREW .25-20X 0.75 SET PL CPSQ	
14	AG230812	3	TUBE SPACER LINK	
15	AG512346	-	3M 1300 YELLOW ADHESIVE (GAL) [BULK: 0.001 GA]	[B]
16	AG602132	-	PIN CLEVIS 1.00X2.62 ZN	[C]
17	AG522058	2	PIN-CLEVIS 1.00 X4.00	
18	AG550205	8	WASHER LK 0.31 ZN REG	
19	AG233057	1	MATTING PAD	
20	AG551015	8	WASHER 0.31 FL ZN REG TYPE-B	
21	AG232797	AR	SHIM PLATE	
22	AG511099	-	GREASE-MULTI PURPOSE LITH. [BULK: 0.001 LB]	
23	505430D1	1	CHAIN WLDMT-PIVOT PLATE	
24	AG517793	3	SPRING EXTENSION 2 IN ODX 25.75	
25	AG550264	2	WASHER 0.50 LK ZN REG	
26	6626401	1	BOLT-EYE	
28	AG550124	6	NUT 0.50-13NC HEX ZN REG	
29	AG260770	1	ANGLE-WEAR,UHMW	
30	AG516106	1	PIN LYNCH 0.31X1.68	
31	AG232241	1	PIN WELDMENT PIVOT	
32	AG523563	2	BOLT-.50-13X2.25,G5,ZN,HHD,FT	
33	AG522057	2	PIN-CLEVIS 1.00 X 2.69	
34	AG230263	1	CHAIN BREAKAWAY WLDMT	[D]
35	AG550213	8	NUT 0.31-18NC HEX ZN REG	
36	AG308378	1	WLDMT BOOM PIN	[E]
37	AG209384	4	BOLT-U .31-18X1.56X 2.46SQG5ZN	
38	AG230129	2	BAR LINK SHORT	
39	AG262985	2	LINK-LONG	
40	AG230237	2	PLATE MOUNT SPRING	
41	AG561203	1	BOLT 0.50-13NCX 6.50 G5 ZN HHD	
42	AG309966	1	PLATE PIVOT WLDMT RH	
43	AG551856	10	WASHER1.00FL ZN SAE TYPE-A	
44	AG522056	1	PIN-CLEVIS,1.00 X 3.62	
45	AG550353	4	WASHER 0.50 FL ZN REG TYPE-B	
46	AG552410	1	BOLT 0.50-13NCX 4.00 G5 ZN HHD	
49	AG326423	1	REST WLDMT-BOOM	
50	AG561218	2	CLAMP 1.31-2.25 HOSE 28HS	
51	AG261799	1	CYLINDER ASM-BOOM TIP FOLD	SEE PAGE 5-25
52	AG551058	3	BOLT 0.37-16NCX 3.25 G5 ZN HHD	
53	AG514554	15	WASHER-FL,.50,ZN,G8,REG	
54	AG523653	2	BUSHING-1.00 ID X 1.25 OD	
55	AG522980	AR	LOCTITE-603,GREEN	
56	AG524255	1	PIN-LYNCH,.25X1.56,ZN	
57	AG263036	2	PLATE-EYEBOLT	
58	AG263053	2	PLATE-DBLR,BOOM	
59	AG512885	AR	LOCTITE ADHESIVE SEALANT BLUE	
60	AG126884	1	BOLT-.88-9 X 1.50,G5,HHCS,Z/Y	
61	AG108935	AR	PLATE BACKING	
	FOOTNOTE [A]		AG609376 - BOOT ONLY	
	FOOTNOTE [B]		AG717696 RUBBER ADHESIVE IN PINTS	

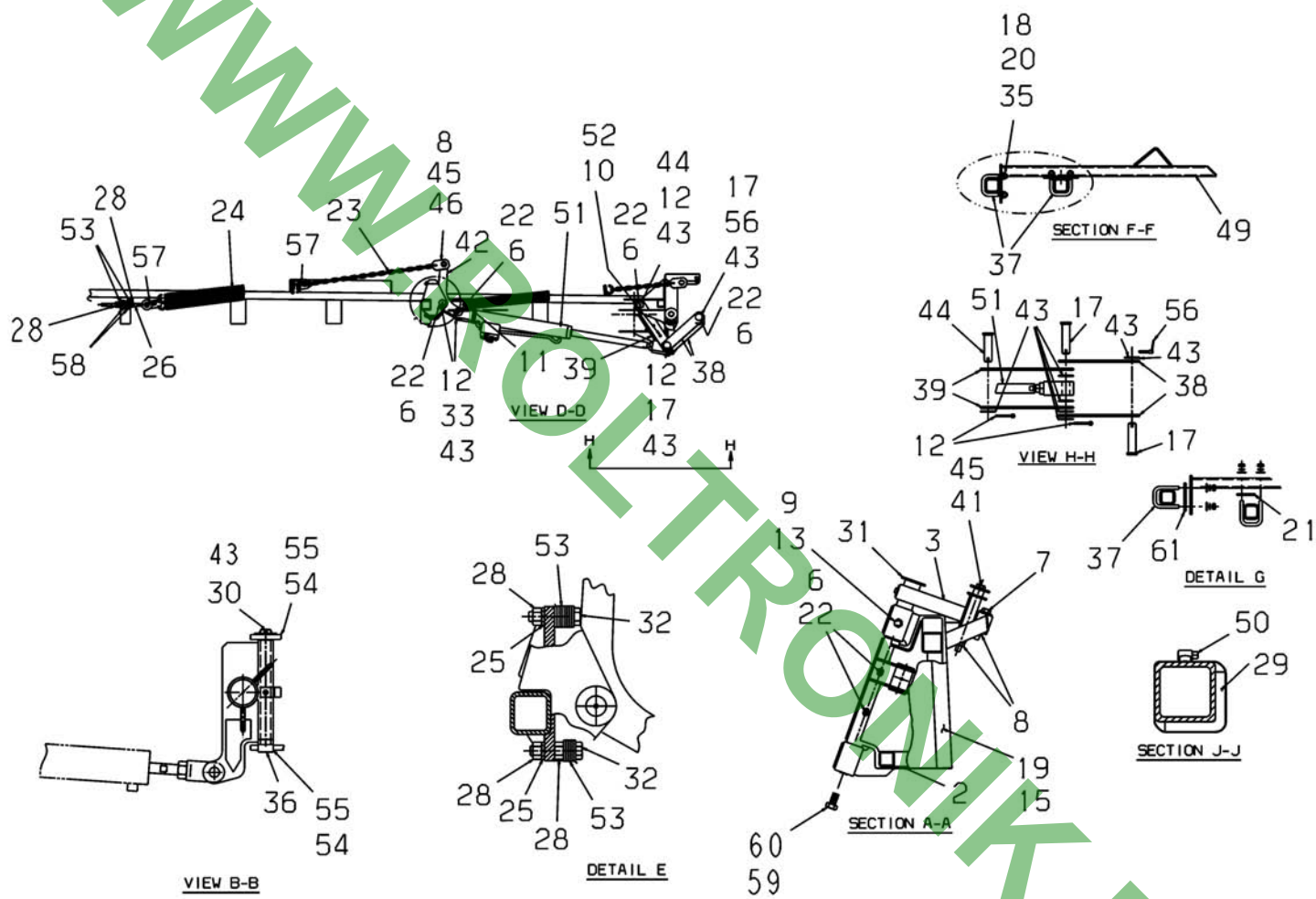


ITEM	PART #	QTY	DESCRIPTION	COMMENTS
	FOOTNOTE [C]		NON-GREASABLE, CAN USE AG519637-- GREASABLE	
	FOOTNOTE [D]		THESE ARE THE BOOM TIP CHAINS.	
	FOOTNOTE [E]		AG516106 - LYNCH PIN	

WWW.ROLTRONIK.PL

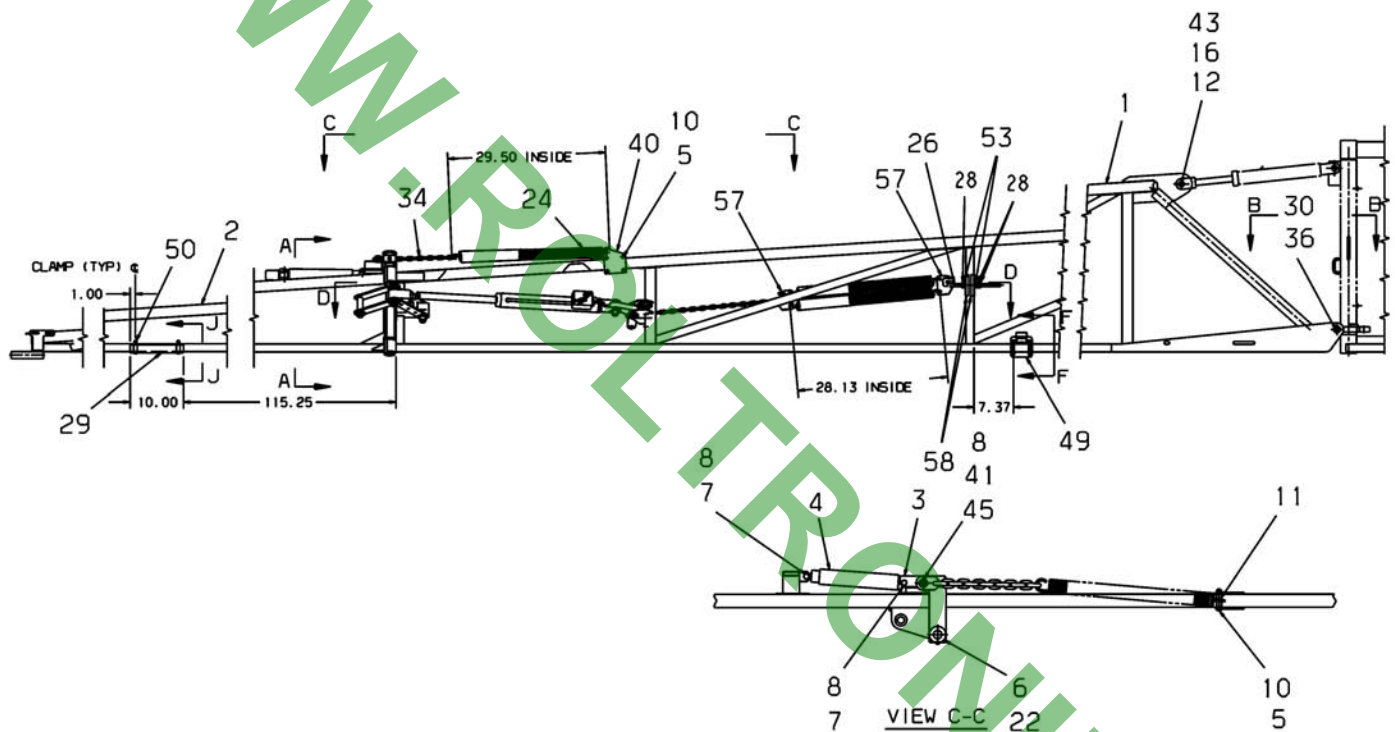


ITEM	PART #	QTY	DESCRIPTION	COMMENTS
1	AG504508	1	BOOM WLDMT-INNER,90/100FT,RH	
2	AG504510	1	BOOM WLDMT-BRKAWY,RH,100FT	
3	AG309923	1	MOUNT SHOCK WLDMT	
4	AG515274	1	SHOCK ABSORBER W/BOOT	[A]
5	AG561072	5	BOLT 0.37-16NCX 3.00 G5 ZN HHD	
6	AG561892	7	FITTING LUBE STR 0.25UNF	
7	AG551392	2	BOLT 0.50-13NCX 2.75 G5 ZN HHD	
8	AG601152	5	NUT 0.50-13NC HEX ZN REG NY	
9	AG550612	1	NUT 0.25-20NC HEX ZN REG	
10	AG601411	8	NUT 0.37-16NC HEX ZN REG LK NY	
11	AG230238	1	TUBE SPACER	
12	AG515352	4	PIN COTTER 0.18X2.00 SS	
13	AG561078	1	SCREW .25-20X 0.75 SET PL CPSQ	
14	AG230812	3	TUBE SPACER LINK	
15	AG512346	-	3M 1300 YELLOW ADHESIVE (GAL) [BULK: 0.001 GA]	[B]
16	AG602132	-	PIN CLEVIS 1.00X2.62 ZN	[C]
17	AG522058	2	PIN-CLEVIS 1.00 X4.00	
18	AG550205	8	WASHER LK 0.31 ZN REG	
19	AG233057	1	MATTING PAD	
20	AG551015	8	WASHER 0.31 FL ZN REG TYPE-B	
21	AG232797	AR	SHIM PLATE	
22	AG511099	-	GREASE-MULTI PURPOSE LITH. [BULK: 0.001 LB]	
23	505430D1	1	CHAIN WLDMT-PIVOT PLATE	
24	AG517793	3	SPRING EXTENSION 2 IN ODX 25.75	
25	AG550264	2	WASHER 0.50 LK ZN REG	
26	6626401	1	BOLT-EYE	
28	AG550124	6	NUT 0.50-13NC HEX ZN REG	
29	AG260770	1	ANGLE-WEAR,UHMW	
30	AG516106	1	PIN LYNCH 0.31X1.68	
31	AG232241	1	PIN WELDMENT PIVOT	
32	AG523563	2	BOLT-.50-13X2.25,G5,ZN,HHD,FT	
33	AG522057	2	PIN-CLEVIS 1.00 X 2.69	
34	AG230263	1	CHAIN BREAKAWAY WLDMT	[D]
35	AG550213	8	NUT 0.31-18NC HEX ZN REG	
36	AG308378	1	WLDMT BOOM PIN	[E]
37	AG209384	4	BOLT-U .31-18X1.56X 2.46SQG5ZN	
38	AG230129	2	BAR LINK SHORT	
39	AG262985	2	LINK-LONG	
40	AG230237	2	PLATE MOUNT SPRING	
41	AG561203	1	BOLT 0.50-13NCX 6.50 G5 ZN HHD	
42	AG309966	1	PLATE PIVOT WLDMT RH	
43	AG551856	10	WASHER1.00FL ZN SAE TYPE-A	
44	AG522056	1	PIN-CLEVIS,1.00 X 3.62	
45	AG550353	4	WASHER 0.50 FL ZN REG TYPE-B	
46	AG552410	1	BOLT 0.50-13NCX 4.00 G5 ZN HHD	
49	AG326423	1	REST WLDMT-BOOM	
50	AG561218	2	CLAMP 1.31-2.25 HOSE 28HS	
51	AG261799	1	CYLINDER ASM-BOOM TIP FOLD	SEE PAGE 5-25
52	AG551058	3	BOLT 0.37-16NCX 3.25 G5 ZN HHD	
53	AG514554	15	WASHER-FL,.50,ZN,G8,REG	
54	AG523653	2	BUSHING-1.00 ID X 1.25 OD	
55	AG522980	AR	LOCTITE-603,GREEN	
56	AG524255	1	PIN-LYNCH,.25X1.56,ZN	
57	AG263036	2	PLATE-EYEBOLT	
58	AG263053	2	PLATE-DBLR,BOOM	
59	AG512885	AR	LOCTITE ADHESIVE SEALANT BLUE	
60	AG126884	1	BOLT-.88-9 X 1.50,G5,HHCS,Z/Y	
61	AG108935	AR	PLATE BACKING	
	FOOTNOTE [A]		AG609376 - BOOT ONLY	
	FOOTNOTE [B]		AG717696 RUBBER ADHESIVE IN PINTS	

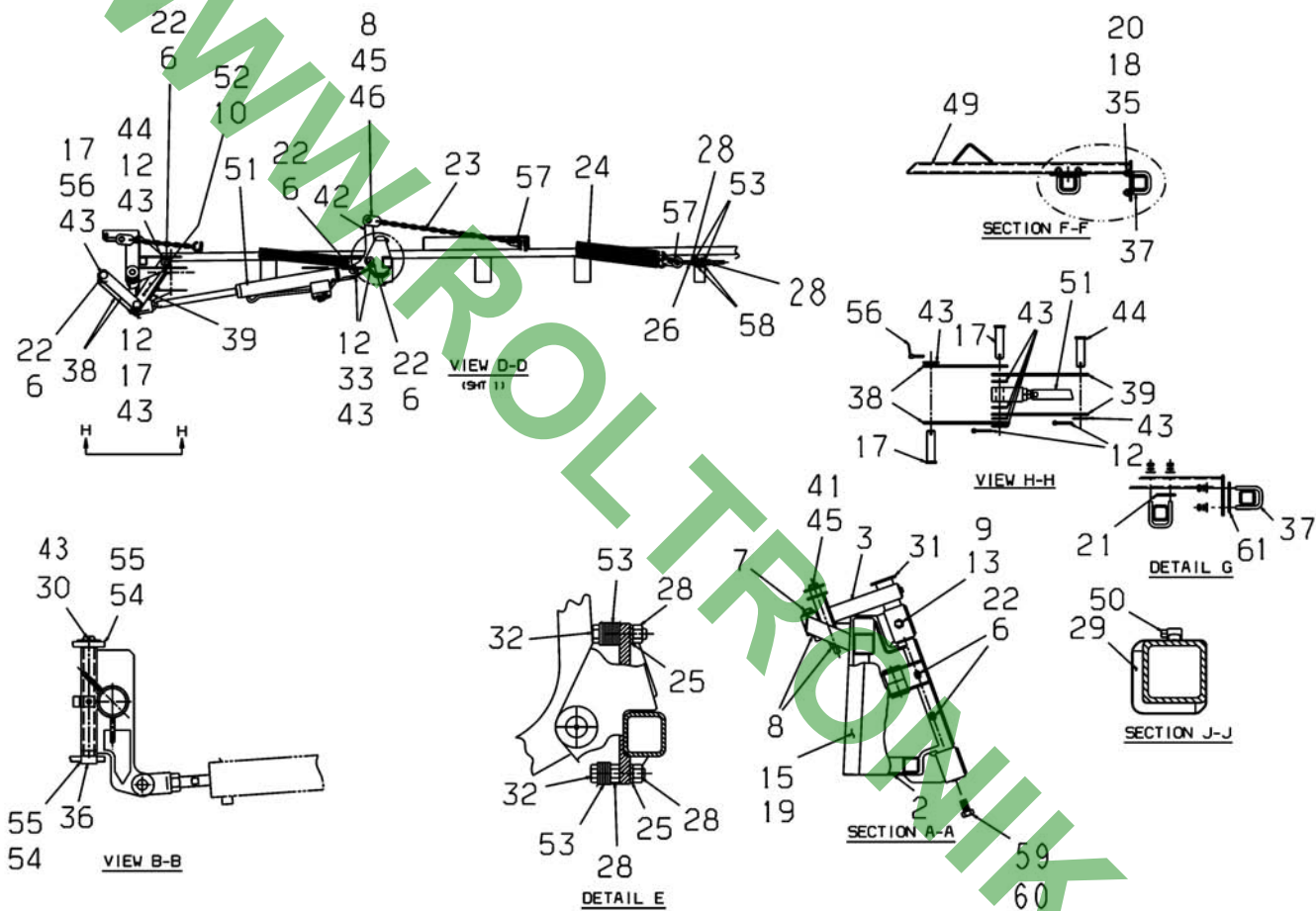


ITEM	PART #	QTY	DESCRIPTION	COMMENTS
	FOOTNOTE [C]		NON-GREASABLE, CAN USE AG519637-- GREASABLE	
	FOOTNOTE [D]		THESE ARE THE BOOM TIP CHAINS.	
	FOOTNOTE [E]		AG516106 - LYNCH PIN	

WWW.ROLTRONIK.PL



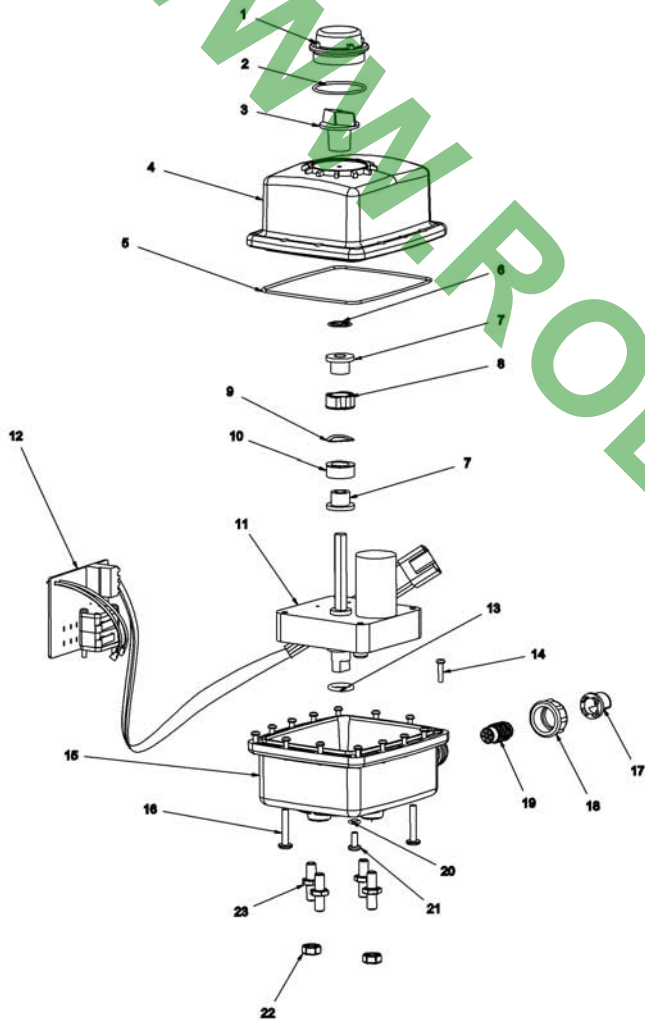
ITEM	PART #	QTY	DESCRIPTION	COMMENTS
1	AG504507	1	BOOM WLDMT-INNER,90/100FT,LH	
2	AG504509	1	BOOM WLDMT-BRKAWY,LH,100FT	
3	AG309923	1	MOUNT SHOCK WLDMT	
4	AG515274	1	SHOCK ABSORBER W/BOOT	[A]
5	AG561072	5	BOLT 0.37-16NCX 3.00 G5 ZN HHD	
6	AG561892	7	FITTING LUBE STR 0.25UNF	
7	AG551392	2	BOLT 0.50-13NCX 2.75 G5 ZN HHD	
8	AG601152	5	NUT 0.50-13NC HEX ZN REG NY	
9	AG550612	1	NUT 0.25-20NC HEX ZN REG	
10	AG601411	8	NUT 0.37-16NC HEX ZN REG LK NY	
11	AG230238	1	TUBE SPACER	
12	AG515352	4	PIN COTTER 0.18X2.00 SS	
13	AG561078	1	SCREW .25-20X 0.75 SET PL CPSQ	
15	AG512346	-	3M 1300 YELLOW ADHESIVE (GAL) [BULK: 0.001 GA]	[B]
16	AG602132	-	PIN CLEVIS 1.00X2.62 ZN	[C]
17	AG522058	2	PIN-CLEVIS 1.00 X4.00	
18	AG550205	8	WASHER LK 0.31 ZN REG	
19	AG233057	1	MATTING PAD	
20	AG551015	8	WASHER 0.31 FL ZN REG TYPE-B	
21	AG232797	AR	SHIM PLATE	
22	AG511099	-	GREASE-MULTI PURPOSE LITH. [BULK: 0.001 LB]	
23	505430D1	1	CHAIN WLDMT-PIVOT PLATE	
24	AG517793	3	SPRING EXTENSION 2 IN ODX 25.75	
25	AG550264	2	WASHER 0.50 LK ZN REG	
26	6626401	1	BOLT-EYE	
28	AG550124	6	NUT 0.50-13NC HEX ZN REG	
29	AG260770	1	ANGLE-WEAR,UHMW	
30	AG516106	1	PIN LYNCH 0.31X1.68	
31	AG232241	1	PIN WELDMENT PIVOT	
32	AG523563	2	BOLT-.50-13X2.25,G5,ZN,HHD,FT	
33	AG522057	2	PIN-CLEVIS 1.00 X 2.69	
35	AG550213	8	NUT 0.31-18NC HEX ZN REG	
36	AG308378	1	WLDMT BOOM PIN	[D]
37	AG209384	4	BOLT-U .31-18X1.56X 2.46SQG5ZN	
38	AG230129	2	BAR LINK SHORT	
39	AG262985	2	LINK-LONG	
40	AG230237	2	PLATE MOUNT SPRING	
41	AG561203	1	BOLT 0.50-13NCX 6.50 G5 ZN HHD	
42	AG309967	1	PLATE PIVOT WLDMT LH	
43	AG551856	10	WASHER1.00FL ZN SAE TYPE-A	
44	AG522056	1	PIN-CLEVIS,1.00 X 3.62	
45	AG550353	4	WASHER 0.50 FL ZN REG TYPE-B	
46	AG552410	1	BOLT 0.50-13NCX 4.00 G5 ZN HHD	
49	AG326423	1	REST WLDMT-BOOM	
50	AG561218	2	CLAMP 1.31-2.25 HOSE 28HS	
51	AG261799	1	CYLINDER ASM-BOOM TIP FOLD	SEE PAGE 5-25
52	AG551058	3	BOLT 0.37-16NCX 3.25 G5 ZN HHD	
53	AG514554	15	WASHER-FL,.50,ZN,G8,REG	
54	AG523653	2	BUSHING-1.00 ID X 1.25 OD	
55	AG522980	AR	LOCTITE-603,GREEN	
56	AG524255	1	PIN-LYNCH,.25X1.56,ZN	
57	AG263036	2	PLATE-EYEBOLT	
58	AG263053	2	PLATE-DBLR,BOOM	
59	AG512885	AR	LOCTITE ADHESIVE SEALANT BLUE	
60	AG126884	1	BOLT-.88-9 X 1.50,G5,HHCS,Z/Y	
61	AG108935	AR	PLATE BACKING	
	FOOTNOTE [A]		AG609376 - BOOT ONLY	
	FOOTNOTE [B]		AG717696 RUBBER ADHESIVE IN PINTS	
	FOOTNOTE [C]		NON-GREASABLE, CAN USE AG519637-- GREASABLE	
	FOOTNOTE [D]		AG516106 - LYNCH PIN	



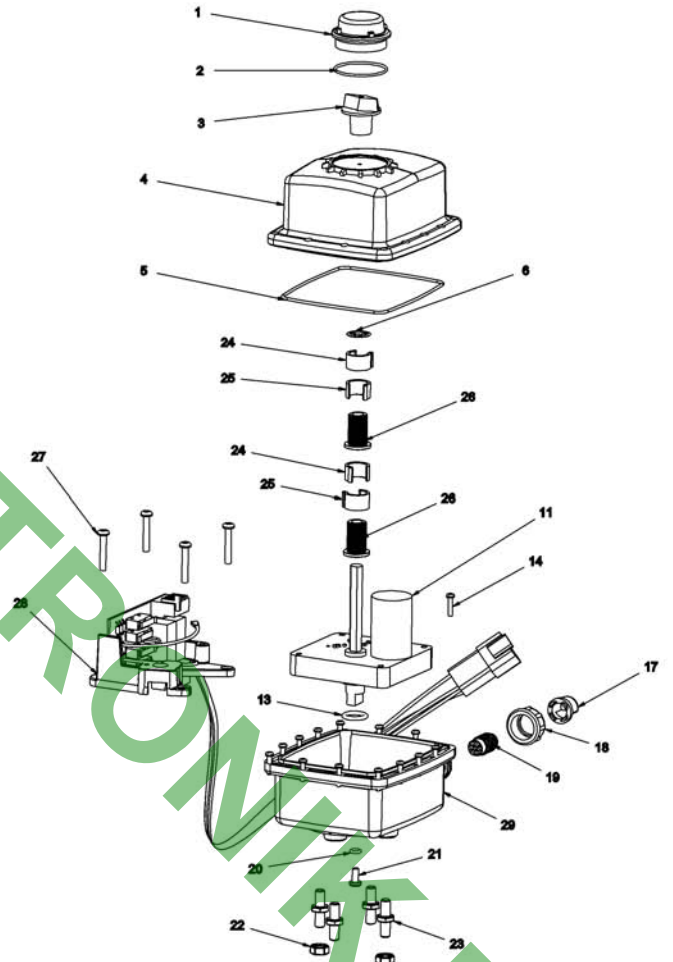
ITEM	PART #	QTY	DESCRIPTION	COMMENTS
1	AG504507	1	BOOM WLDMT-INNER,90/100FT,LH	
2	AG504509	1	BOOM WLDMT-BRKAWY,LH,100FT	
3	AG309923	1	MOUNT SHOCK WLDMT	
4	AG515274	1	SHOCK ABSORBER W/BOOT	[A]
5	AG561072	5	BOLT 0.37-16NCX 3.00 G5 ZN HHD	
6	AG561892	7	FITTING LUBE STR 0.25UNF	
7	AG551392	2	BOLT 0.50-13NCX 2.75 G5 ZN HHD	
8	AG601152	5	NUT 0.50-13NC HEX ZN REG NY	
9	AG550612	1	NUT 0.25-20NC HEX ZN REG	
10	AG601411	8	NUT 0.37-16NC HEX ZN REG LK NY	
11	AG230238	1	TUBE SPACER	
12	AG515352	4	PIN COTTER 0.18X2.00 SS	
13	AG561078	1	SCREW .25-20X 0.75 SET PL CPSQ	
15	AG512346	-	3M 1300 YELLOW ADHESIVE (GAL) [BULK: 0.001 GA]	[B]
16	AG602132	-	PIN CLEVIS 1.00X2.62 ZN	[C]
17	AG522058	2	PIN-CLEVIS 1.00 X4.00	
18	AG550205	8	WASHER LK 0.31 ZN REG	
19	AG233057	1	MATTING PAD	
20	AG551015	8	WASHER 0.31 FL ZN REG TYPE-B	
21	AG232797	AR	SHIM PLATE	
22	AG511099	-	GREASE-MULTI PURPOSE LITH. [BULK: 0.001 LB]	
23	505430D1	1	CHAIN WLDMT-PIVOT PLATE	
24	AG517793	3	SPRING EXTENSION 2 IN ODX 25.75	
25	AG550264	2	WASHER 0.50 LK ZN REG	
26	6626401	1	BOLT-EYE	
28	AG550124	6	NUT 0.50-13NC HEX ZN REG	
29	AG260770	1	ANGLE-WEAR,UHMW	
30	AG516106	1	PIN LYNCH 0.31X1.68	
31	AG232241	1	PIN WELDMENT PIVOT	
32	AG523563	2	BOLT-.50-13X2.25,G5,ZN,HHD,FT	
33	AG522057	2	PIN-CLEVIS 1.00 X 2.69	
35	AG550213	8	NUT 0.31-18NC HEX ZN REG	
36	AG308378	1	WLDMT BOOM PIN	[D]
37	AG209384	4	BOLT-U .31-18X1.56X 2.46SQG5ZN	
38	AG230129	2	BAR LINK SHORT	
39	AG262985	2	LINK-LONG	
40	AG230237	2	PLATE MOUNT SPRING	
41	AG561203	1	BOLT 0.50-13NCX 6.50 G5 ZN HHD	
42	AG309967	1	PLATE PIVOT WLDMT LH	
43	AG551856	10	WASHER1.00FL ZN SAE TYPE-A	
44	AG522056	1	PIN-CLEVIS,1.00 X 3.62	
45	AG550353	4	WASHER 0.50 FL ZN REG TYPE-B	
46	AG552410	1	BOLT 0.50-13NCX 4.00 G5 ZN HHD	
49	AG326423	1	REST WLDMT-BOOM	
50	AG561218	2	CLAMP 1.31-2.25 HOSE 28HS	
51	AG261799	1	CYLINDER ASM-BOOM TIP FOLD	SEE PAGE 5-25
52	AG551058	3	BOLT 0.37-16NCX 3.25 G5 ZN HHD	
53	AG514554	15	WASHER-FL,.50,ZN,G8,REG	
54	AG523653	2	BUSHING-1.00 ID X 1.25 OD	
55	AG522980	AR	LOCTITE-603,GREEN	
56	AG524255	1	PIN-LYNCH,.25X1.56,ZN	
57	AG263036	2	PLATE-EYEBOLT	
58	AG263053	2	PLATE-DBLR,BOOM	
59	AG512885	AR	LOCTITE ADHESIVE SEALANT BLUE	
60	AG126884	1	BOLT-.88-9 X 1.50,G5,HHCS,Z/Y	
61	AG108935	AR	PLATE BACKING	
	FOOTNOTE [A]		AG609376 - BOOT ONLY	
	FOOTNOTE [B]		AG717696 RUBBER ADHESIVE IN PINTS	
	FOOTNOTE [C]		NON-GREASABLE, CAN USE AG519637-- GREASABLE	
	FOOTNOTE [D]		AG516106 - LYNCH PIN	

WWW.ROLTRONIK.PL

Parts Breakdown
Units Prior to Serial #86500



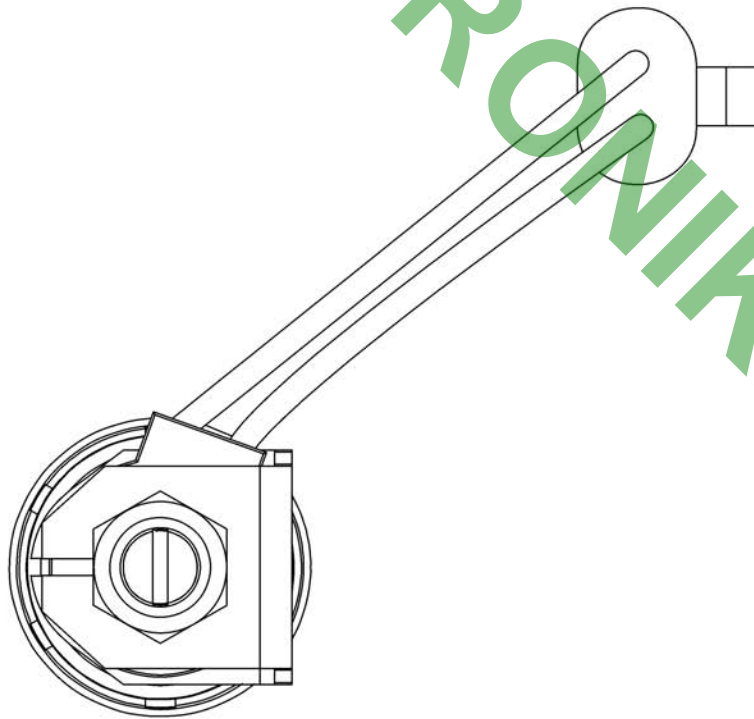
Parts Breakdown
Units After Serial #86501



ITEM	PART #	QTY	DESCRIPTION	COMMENTS
1	AG131743	1	DOME, CLEAR	
2	AG139433	1	O-RING/SILICONE DOME	
3	AG131744	1	FLAG	
4	AG131745	1	DOME, LID	
5	AG139434	1	O-RING/SILICONE LID	
6	AG139435	1	RING/PUSH-ON-RETAINER	
7	AG139429	2	CAM SHOULDER	
8	AG139430	1	CAM SINGLE LOBE	
9	AG139431	1	SPRING/WASHER	
10	AG139432	1	CAM DOUBLE LOBE	
11	AG131748	1	MOTOR, GEAR ASM	
12	AG131739	1	BOARD, CIRCUIT W/CABLE	
13	AG139436	1	O-RING/MOTOR SHAFT	
14	AG139437	14	SCREW/LID	
15	AG131746	14	CASE, BOTTOM	
16	AG139449	2	SCREW/SS #10-32X3/4	
17	AG139438	1	COVER/GROMMET STRAIN RELIEF	
18	AG139439	1	NUT/GROMMET STRAIN RELIEF	
19	AG139440	1	GROMMET/WIRE	
20	AG139441	1	O-RING/PRESSURE TEST	
21	AG139442	1	SCREW/PRESSURE TEST 9-18X3/8	
22	AG121926	2	NUT-KEPS, .50-20NC	
23	AG131747	4	STUD, MOUNTING	
24	AG139443	2	BUMP CAM LOBE, DOUBLE	
25	AG139444	2	BUMP CAM LOBE, SINGLE	
26	AG139445	2	BUMP CAM, BASE SHOULDER	
27	AG139446	4	SCREW/SS #8-32X1	
28	AG139447	1	CIRCUIT BOARD/REPLACEMENT, CAM	
29	AG139448	1	EH3 LOWER CASE, INTERNAL MOUNT	

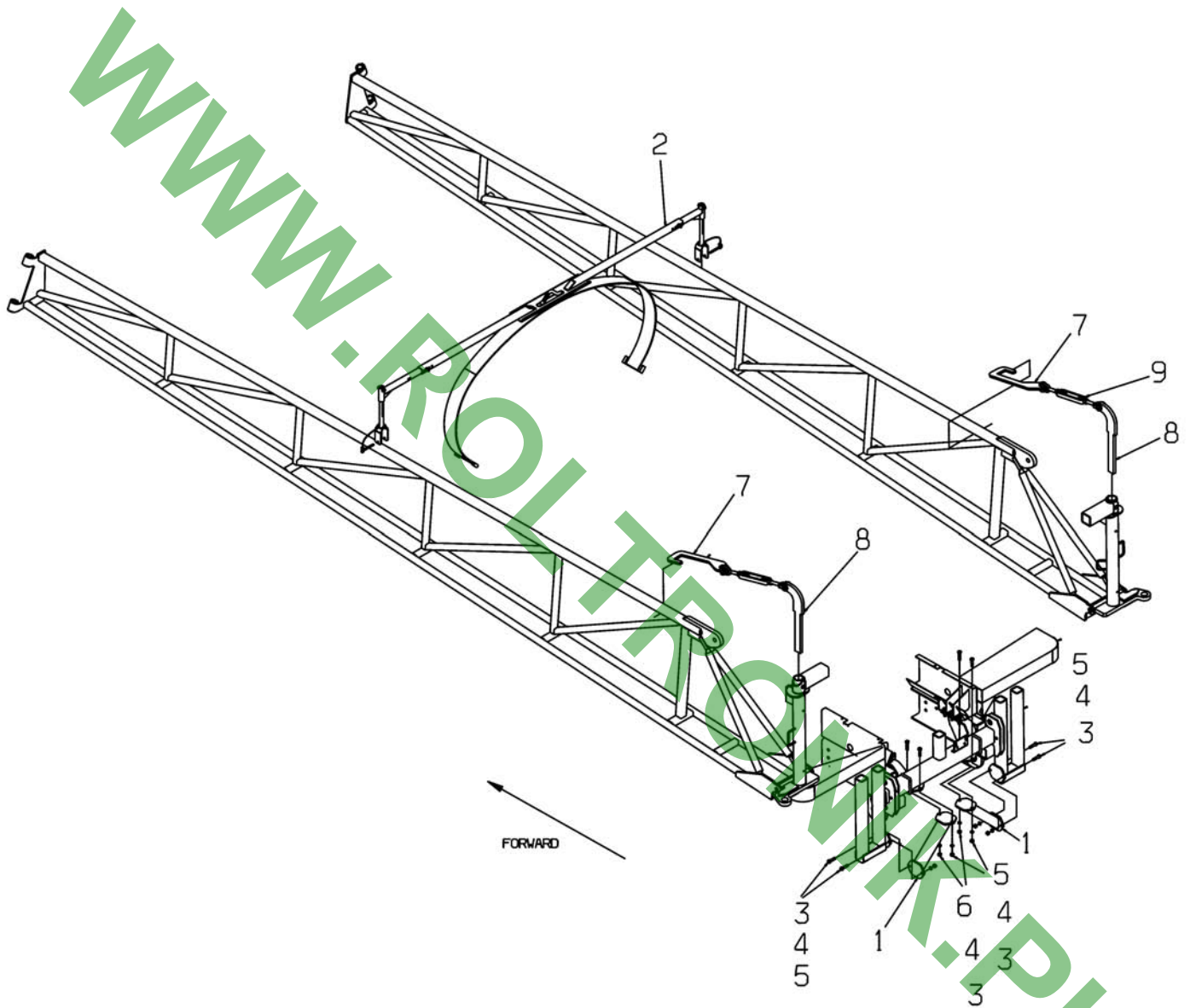


WWW.ROLTRONIK.PL



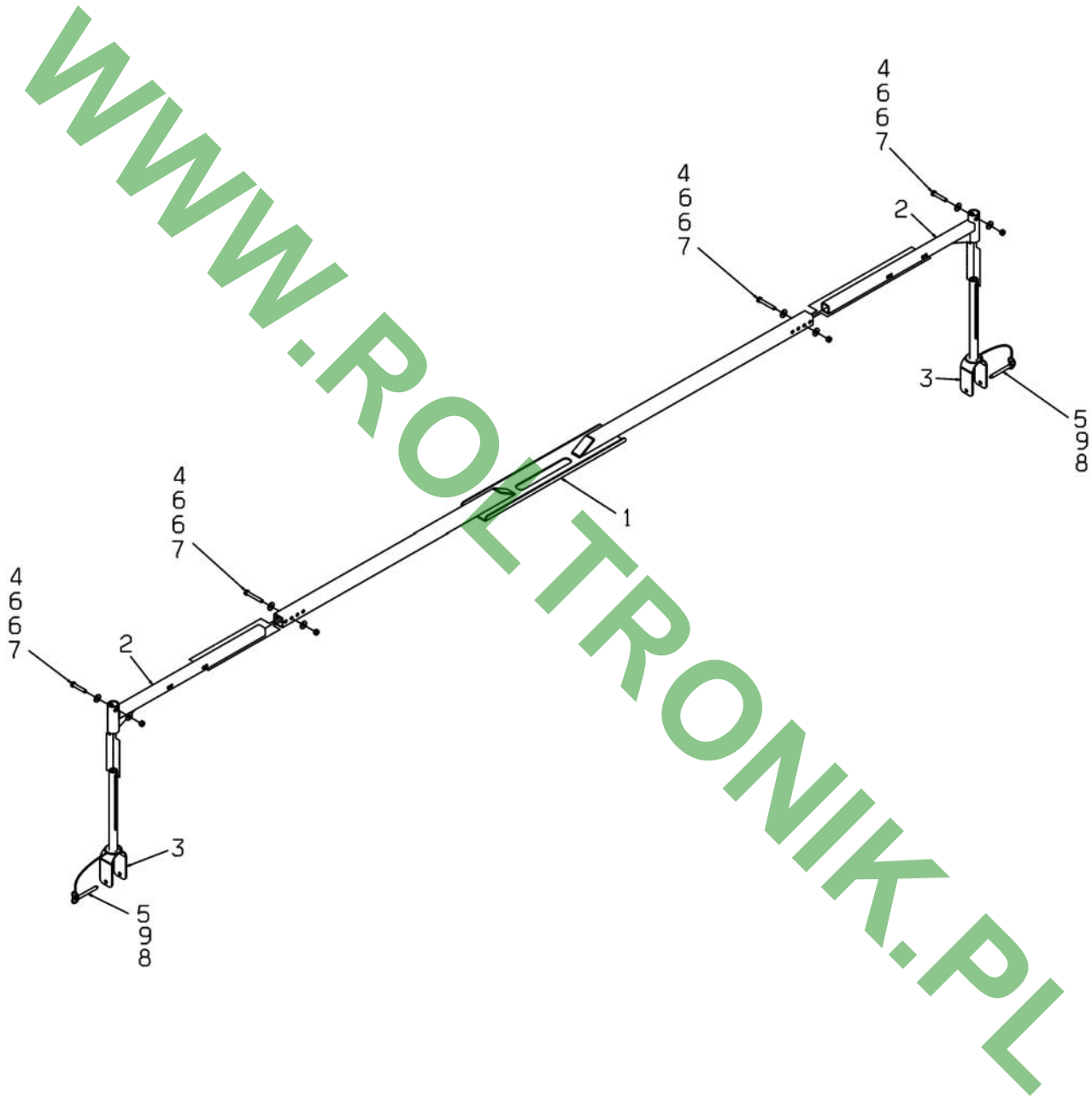
ITEM	PART #	QTY	DESCRIPTION	COMMENTS
1	AG129957	-	PARTS-SERV,NOZ VALVE,(129947)	SEE PAGE 3-26

WWW.ROLTRONIK.PL



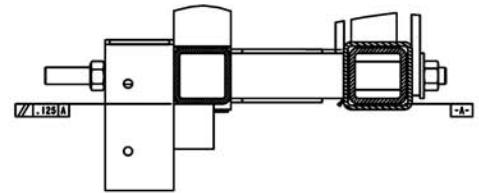
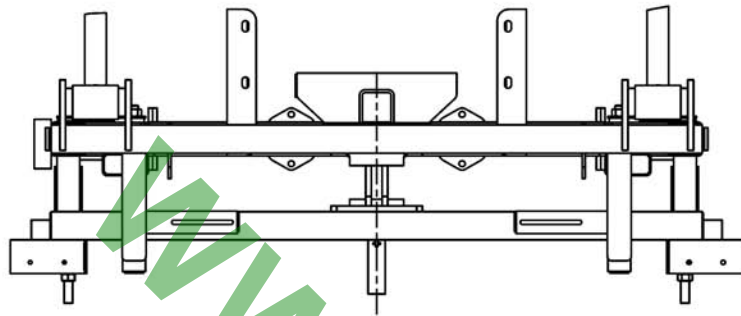
ITEM	PART #	QTY	DESCRIPTION	COMMENTS
1	AG328788	-	GUSSET WLDMT-BOOM TREE	
2	AG504795	1	RETAINER ASM-BOOM,LIQ,COMBO	SEE PAGE 3-24
3	AG550124	8	NUT 0.50-13NC HEX ZN REG	
4	AG550264	8	WASHER 0.50 LK ZN REG	
5	AG550817	6	BOLT 0.50-13NCX 1.50 G5 ZN HHD	
6	AG553956	2	BOLT 0.50-13NCX 1.75 G5 ZN HHD	
7	AG263217	2	HOOK-BOOM,SUPPORT	
8	AG328772	2	BRKT-BOOM,HOOK	
9	AG514326	2	TURNBUCKLE 3/4X9 GAL JAW & JAW	

WWW.ROLTRONIK.PL

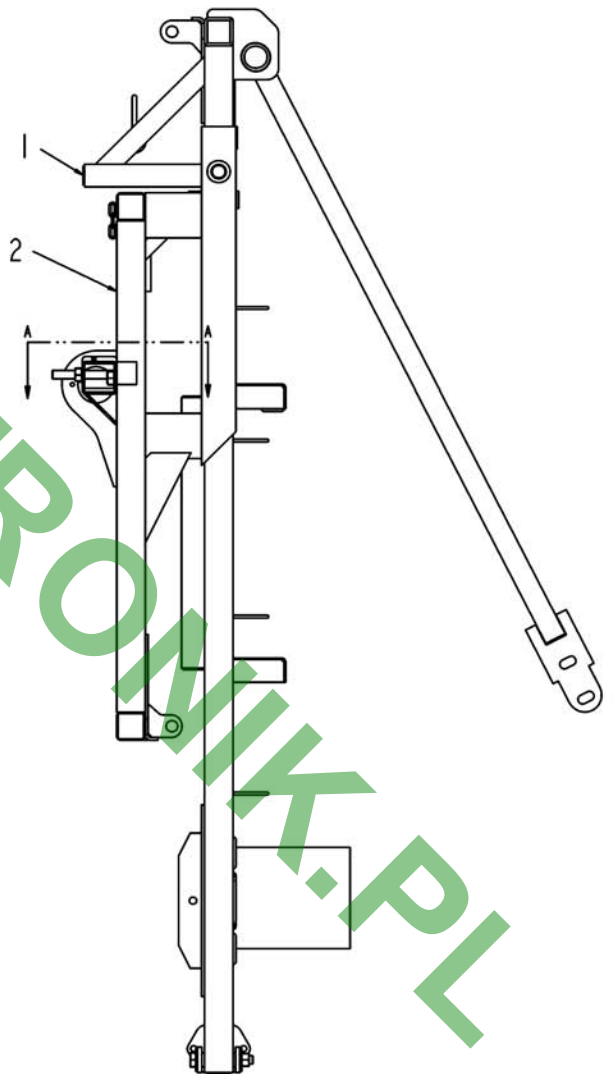
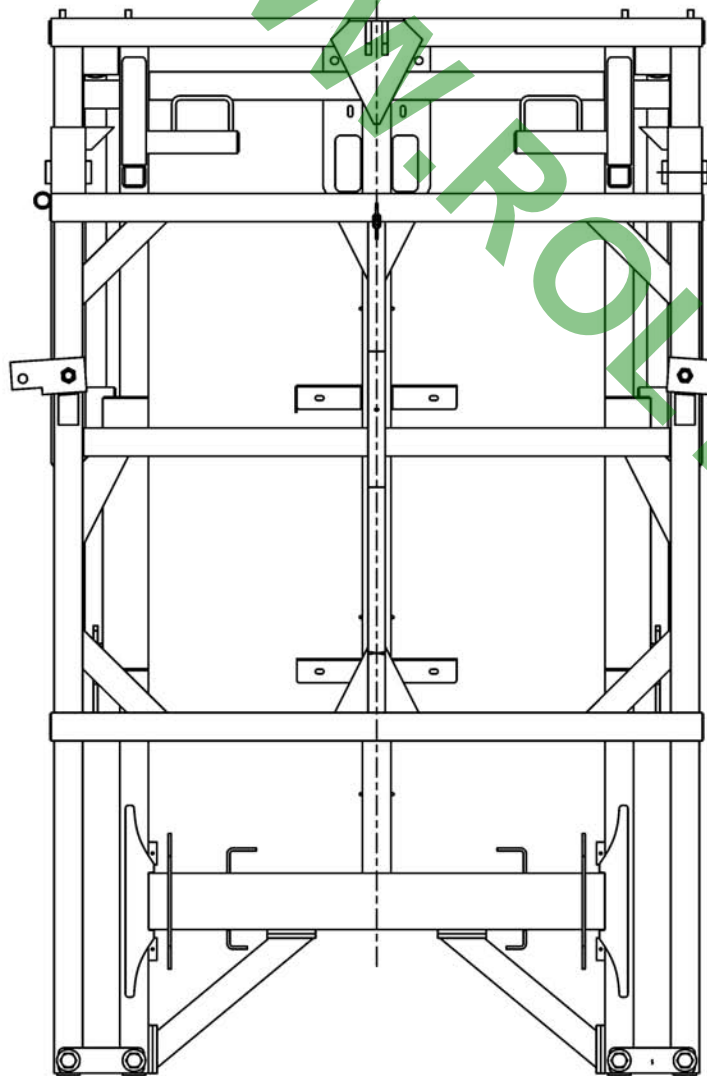


ITEM	PART #	QTY	DESCRIPTION	COMMENTS
1	AG425345	1	RETAINER WLDMT-CTR,LIQ,COMBO	
2	AG425341	2	RETAINER WLDMT-HORIZ,LIQ,COMBO	
3	AG425342	2	RETAINER WLDMT-VERT,LIQ,COMBO	
4	AG552127	4	BOLT 0.37-16NCX 2.25 G5 ZN HHD	
5	AG515981	4	COMPRESSION SLEEVE	
6	AG551007	8	WASHER FL 0.37 ZN REG TYPE-B	
7	AG604138	4	NUT 0.37-16NC HEX ZN HVY NY IN	
8	AG516105	2	PIN-COTTERLESS HITCH .37X3.50	
9	AG516060	-	CABLE NYLON COATED [BULK: 2.100 FT]	[A]
	FOOTNOTE [A]		AG515981 COMPRESSION SLEEVES TO CLAMP ENDS TO FORM LOOPS	

WWW.ROLTRONIK.PL

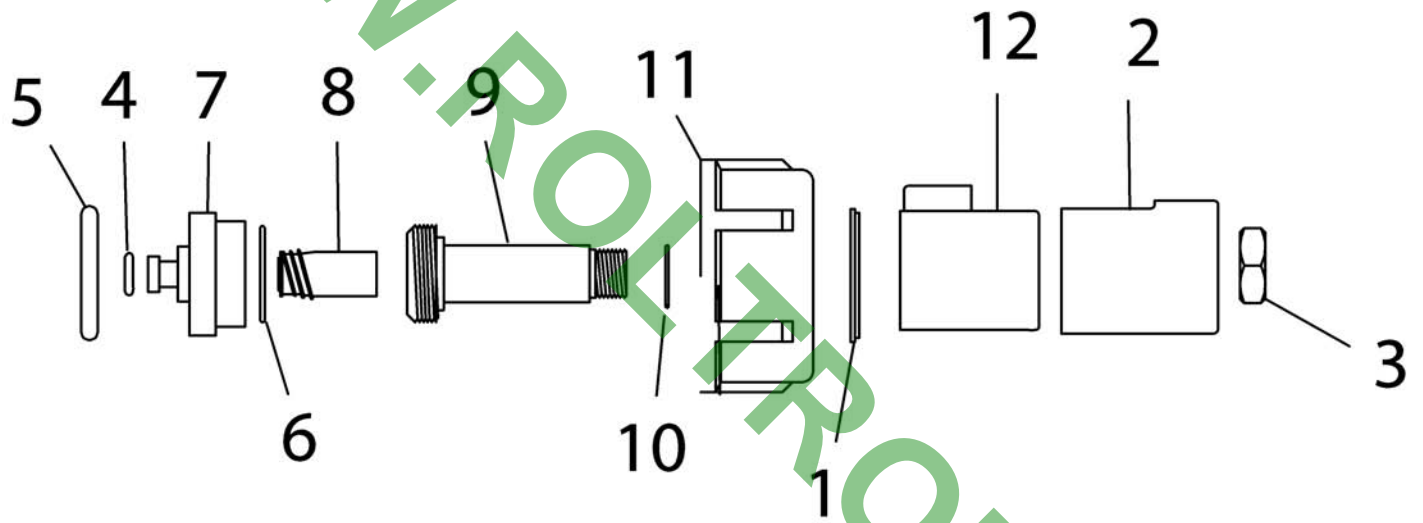


SECTION A-A



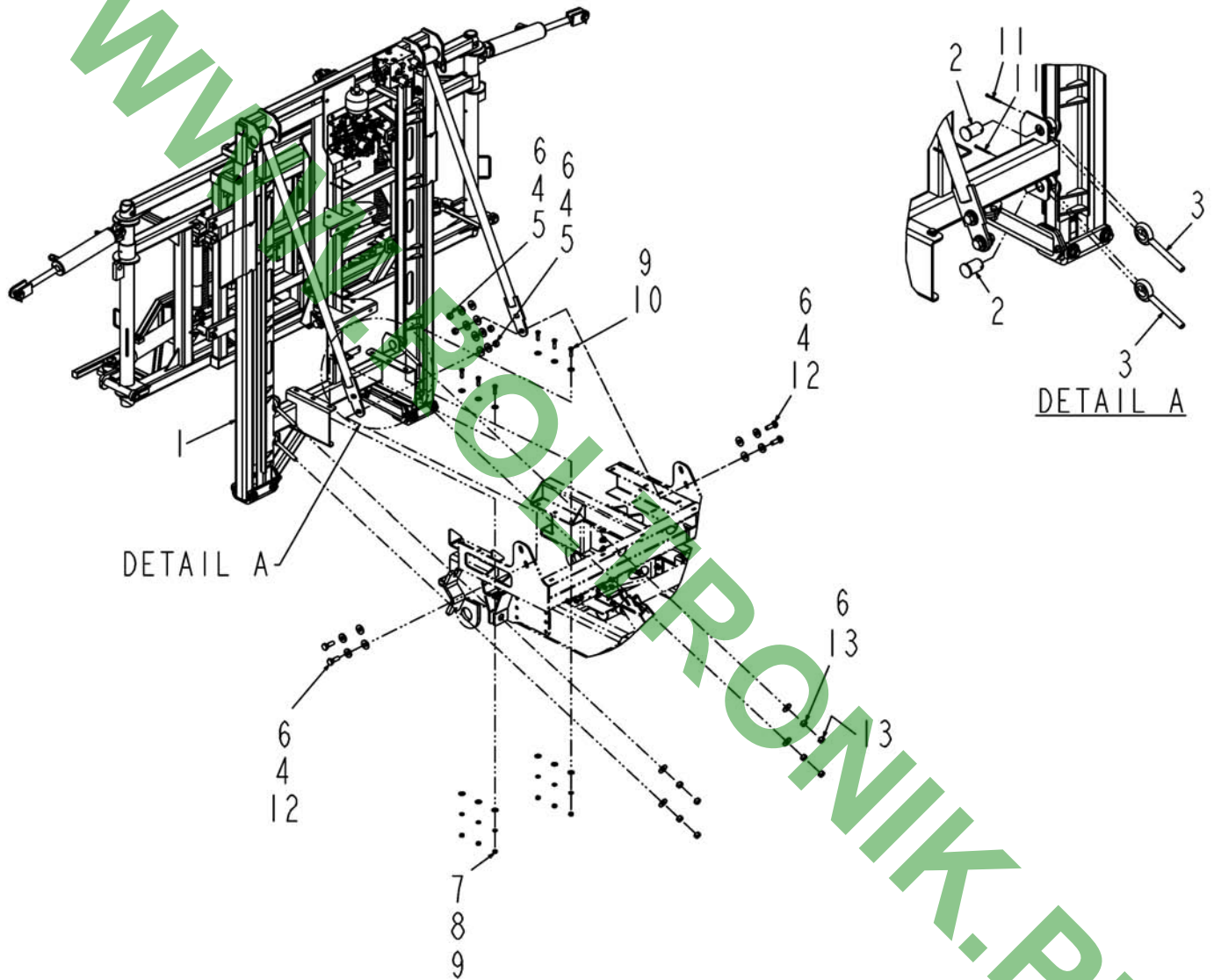
ITEM	PART #	QTY	DESCRIPTION	COMMENTS
1	AG123006	1	BOOM TREE WLDMT-SUB	
2	AG407649	1	CARRIAGE INNER WLDMT	

WWW.ROLTRONIK.PL

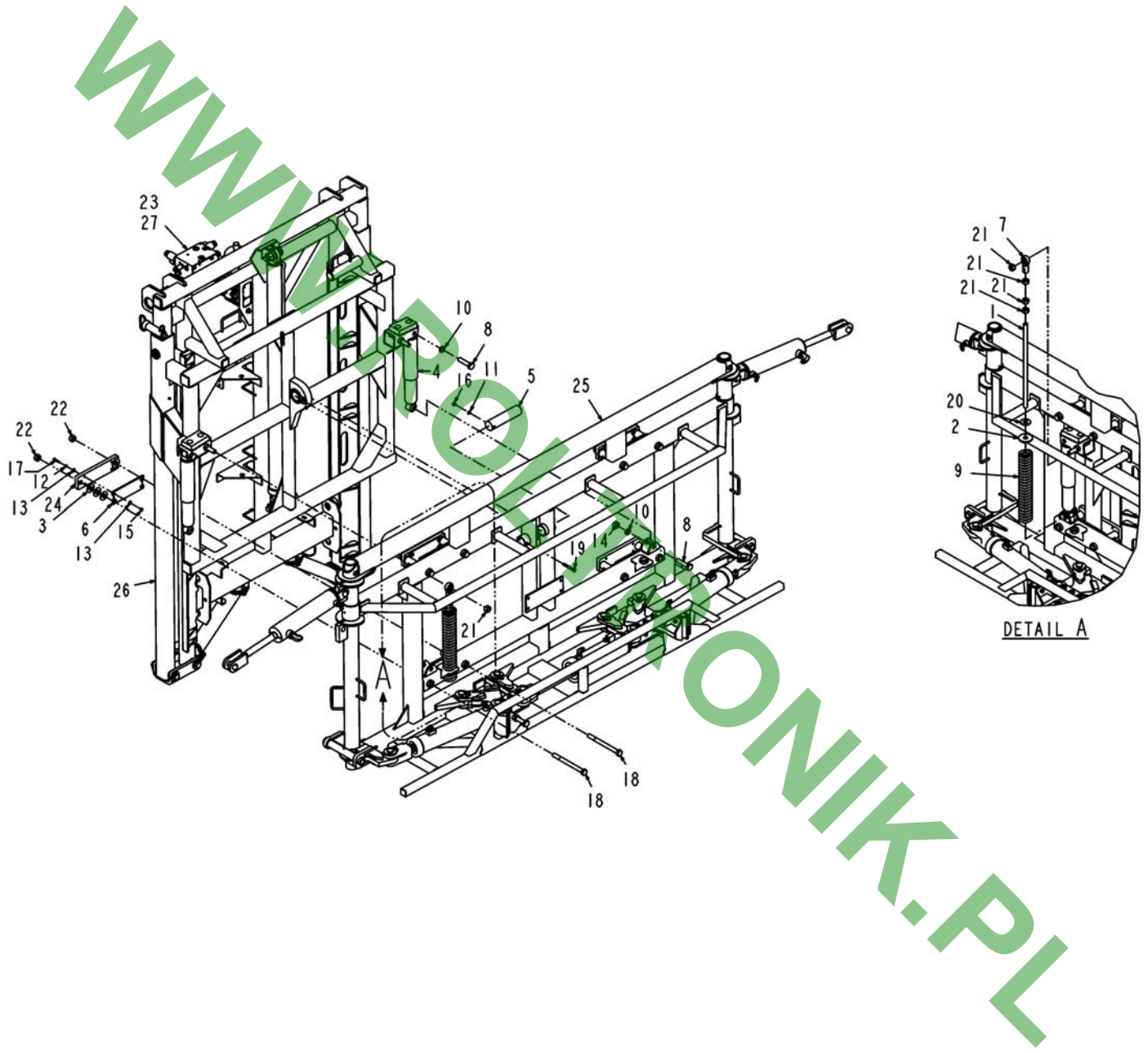


ITEM	PART #	QTY	DESCRIPTION	COMMENTS
1	AG131465	1	WASHER,FLUX	
2	AG131466	1	HOUSING, 7 WATT	
3	AG131467	1	NUT,PLATED	
4	AG131468	1	O-RING,VITON	
5	AG131469	1	O-RING	
6	AG131470	1	O-RING,VITON	
7	AG131471	1	BODY,VALVE	
8	AG131472	1	PLUNGER ASM	
9	AG131473	1	STEM, VALVE	
10	AG131474	1	O-RING, COIL	
11	AG131475	1	NUT, FLY	
12	AG131476	1	COIL ASM 7 WATT	

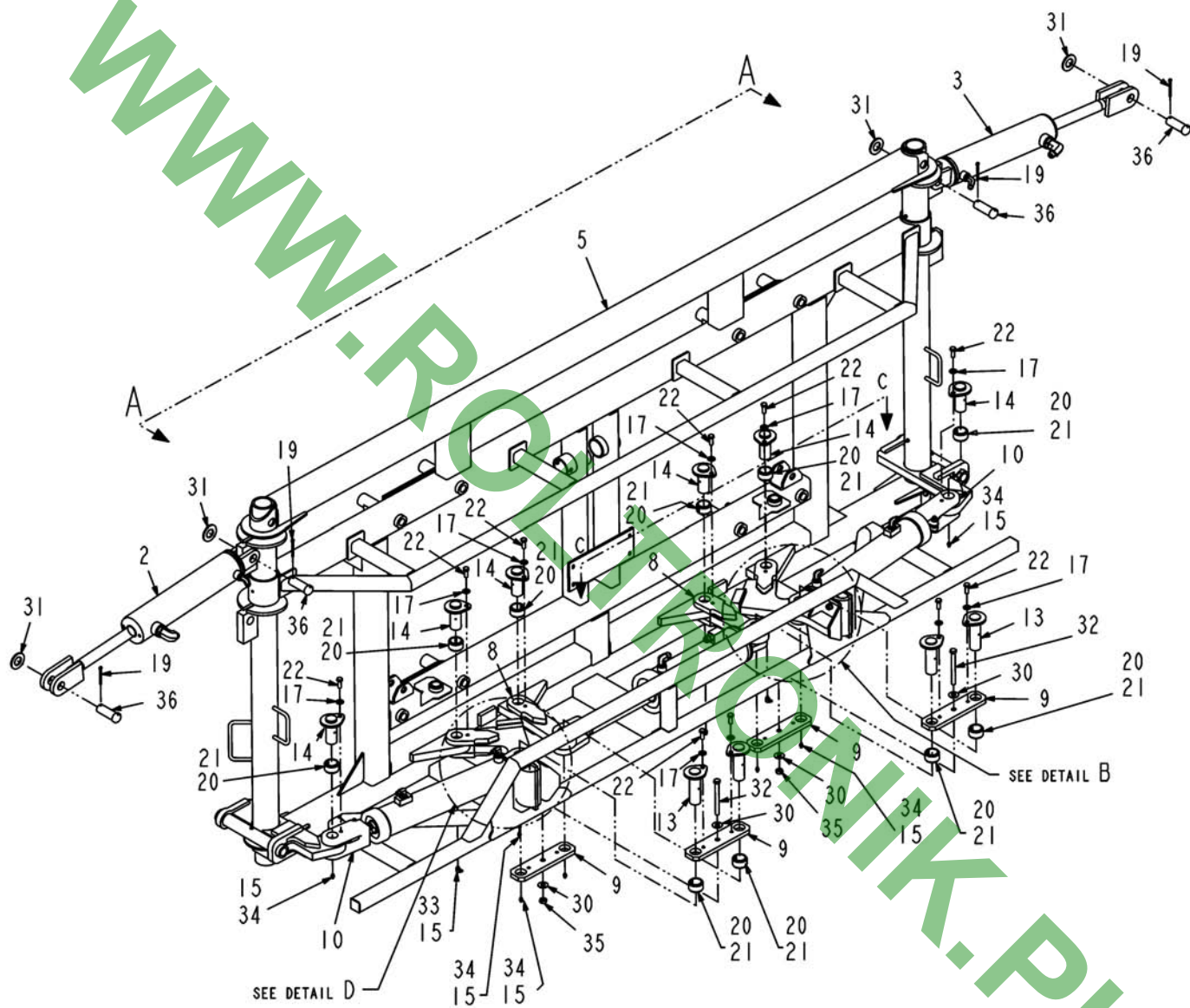
WWW.ROLTRONIK.PL



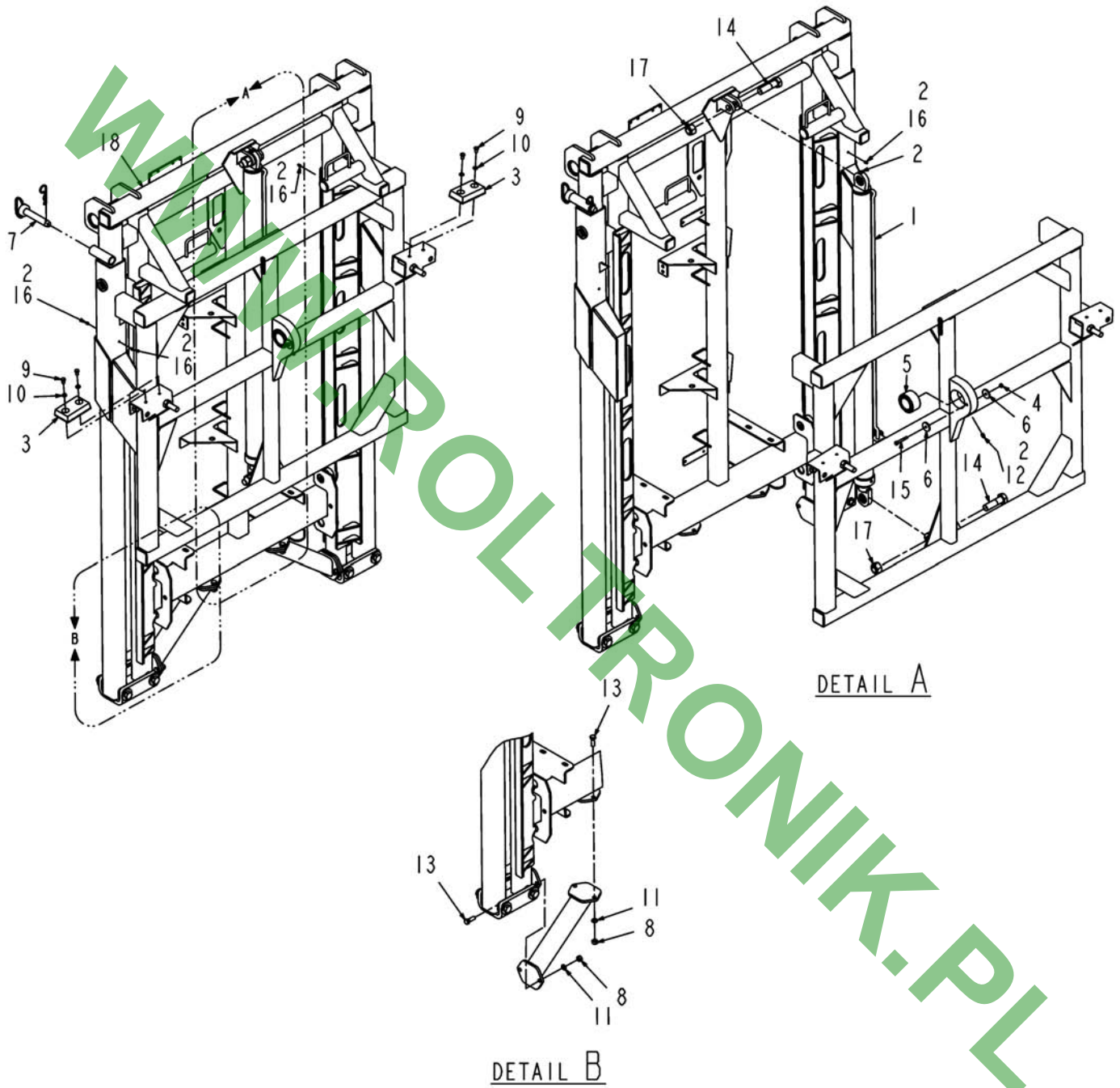
ITEM	PART #	QTY	DESCRIPTION	COMMENTS
1	AG136827	1	BOOM TREE ASM-CTR,120FT	SEE PAGE 3-28
2	AG200557	4	WLDMT PIN PIVOT	
3	AG200573	4	BOLT EYE .75NCX6.0 SHK DF GALV	[A]
4	AG521690	8	WSHR-FLT,1.88X.81X.25,BLK,HARD	
5	AG522703	4	NUT-.75-16,G8,ZN,H	
6	AG550116	12	WASHER 0.75 FL ZN REG TYPE-B	
7	AG550124	6	NUT 0.50-13NC HEX ZN REG	
8	AG550264	6	WASHER 0.50 LK ZN REG	
9	AG550353	12	WASHER 0.50 FL ZN REG TYPE-B	
10	AG553956	6	BOLT 0.50-13NCX 1.75 G5 ZN HHD	
11	AG561199	4	PIN COTTER 0.18X2.50 ZN	
12	AG561201	4	BOLT 0.75-16NFX 2.25 G8 ZN HHD	[B]
13	AG562537	8	NUT 0.75-10NC HEX GALV REG OSZ	
	FOOTNOTE [A]		NUT AG562537 - OVERSIZE	
	FOOTNOTE [A]		JAM NUT AG559709 - ZINC	
	FOOTNOTE [A]		JAM NUT AG515210 - GALV.	
	FOOTNOTE [A]		10EYEBOLT - AG222750	
	FOOTNOTE [A]		SPRING - AG515068	
	FOOTNOTE [B]		COARSE THREAD BOLT-AG562636	



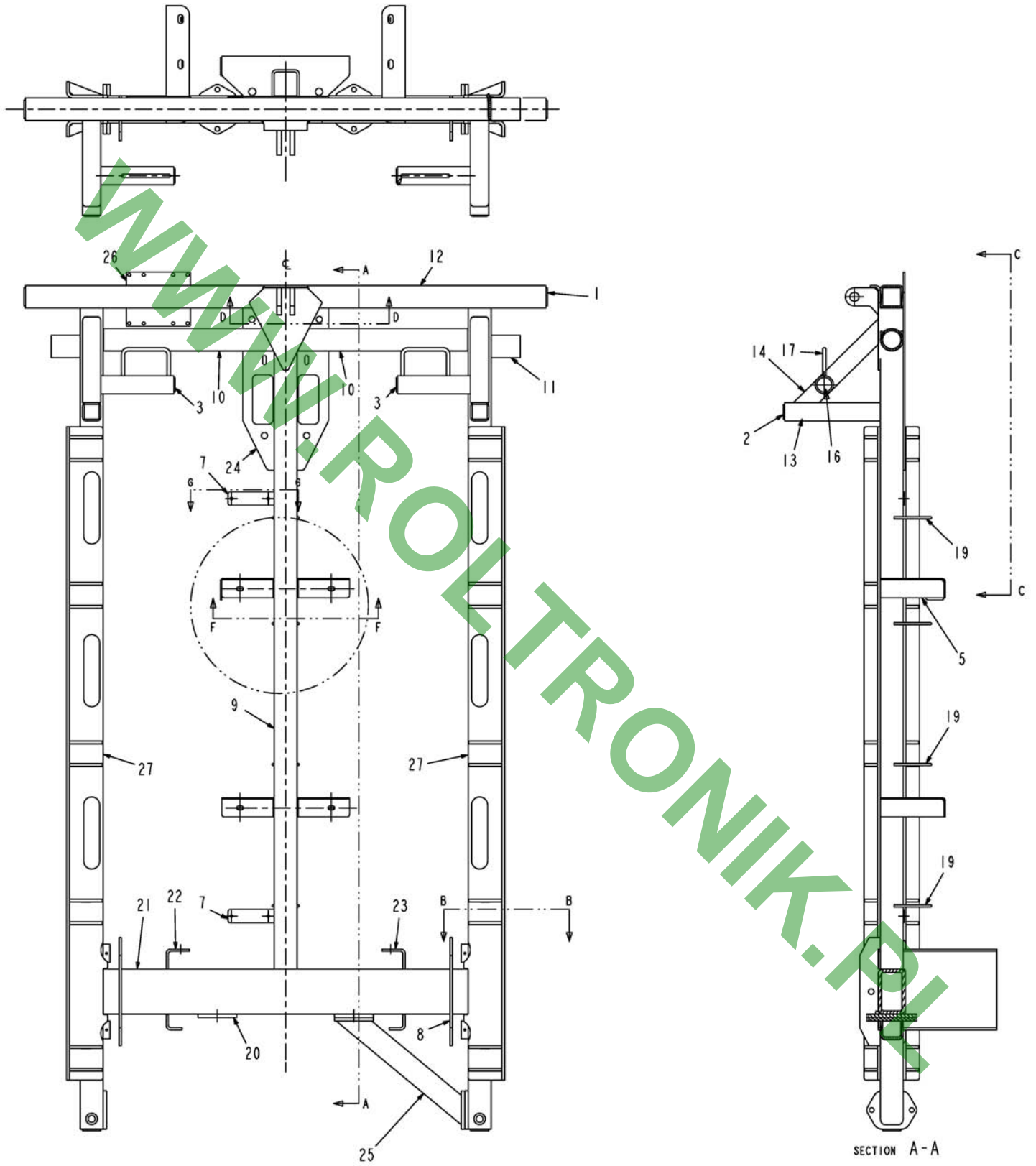
ITEM	PART #	QTY	DESCRIPTION	COMMENTS
1	AG108268	2	ROD THREADED	
2	AG108604	2	SPRING RETAINER WLDMT	
3	AG108622	24	WASHER FLAT THIN	
4	AG136741	2	SHOCK-GAS,ADJ,3 POSITION	
5	AG229652	1	SHAFT BOOM PIVOT	
6	AG229661	4	PAD WEAR	
7	AG517248	2	ROD END BALL JOINT	
8	AG517993	4	BOLT 0.75-10NCX 3.25 G5 ZN HHD	
9	AG518092	2	SPRING COMPRESSION .44X16.50	
10	AG550108	4	WASHER 0.75 LK ZN REG	
11	AG550191	1	WASHER LK 0.37 ZN REG	
12	AG550493	16	WASHER LK 0.25 ZN REG	
13	AG550507	32	WASHER FL 0.25 ZN REG TYPE-B	
14	AG550590	2	NUT.75-10NC HEX ZN REG *G5*	
15	AG550612	16	NUT 0.25-20NC HEX ZN REG	
16	AG550825	1	NUT 0.37-16NC HEX ZN REG	
17	AG550949	16	BOLT 0.25-20NCX 1.50 G5 ZN HHD	
18	AG553646	8	BOLT 0.75-10NCX 8.50 G5 ZN HHD	
19	AG561072	1	BOLT 0.37-16NCX 3.00 G5 ZN HHD	
20	AG561156	2	WASHER 0.75 FL ZN SAE TYPE A	
21	AG562291	8	NUT 0.75-16NF HEX ZN REG	[A]
22	AG603864	8	NUT 0.75-10LGT G5 HX ZN ESNA	
23	506456D1	1	HOSE INSTL-HYD,W/AUTOBOOM,120	SEE PAGE 12-35
24	506593D1	4	PLATE-MTG,HEAVY,WEAR PAD	
25	506594D1	1	BOOM ASM-CENTER,120	SEE PAGE 3-29
26	506595D1	1	TREE ASM-BOOM,CENTER,3.00 SL	SEE PAGE 3-30
27	506649D1	1	BLOCK INSTL-HYD,BM/AUTOBOOM,G2	SEE PAGE 12-39
	FOOTNOTE [A]		THIS NUT WILL NOT FIT AG880725 LOWER SWAYBAR PIN ON AIRMAX. IT IS FINE	
	FOOTNOTE [A]		THREAD AND THE PIN IS COARSE. USE PART NUMBER AG881323 NUT.	



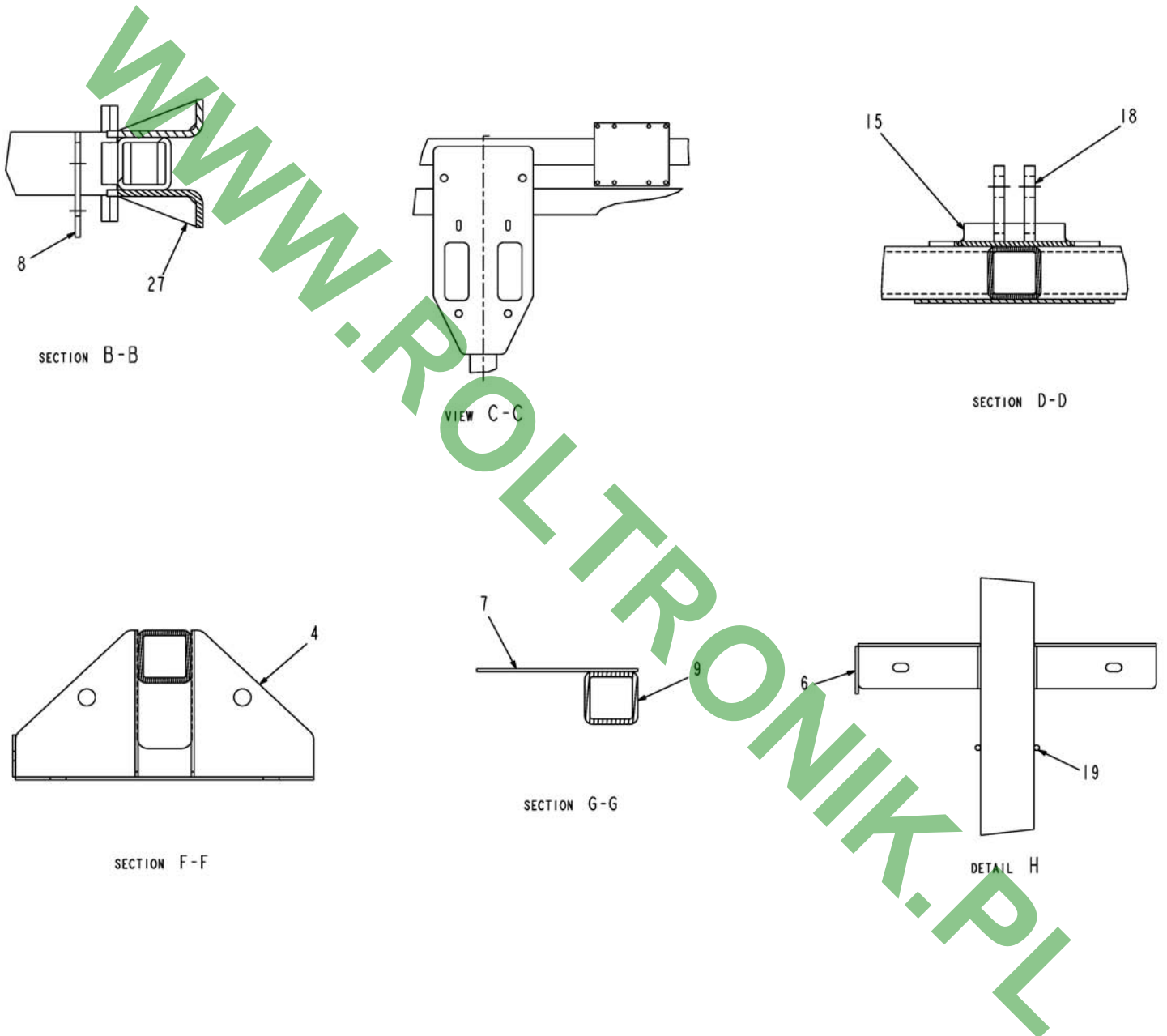
ITEM	PART #	QTY	DESCRIPTION	COMMENTS
1	AG136749	1	CYLINDER ASM-4.00,BM BREAKAWAY	SEE PAGE 5-29
2	AG136823	1	CYLINDER ASM-TILT,BOOM,120,LH	SEE PAGE 5-31
3	AG136824	1	CYLINDER ASM-TILT,BOOM,120,RH	SEE PAGE 5-32
4	AG136946	2	PAD-BUMP,OUTER,BRKAWAY,BM,FULL	
5	AG136949	1	CENTER WLDMT-BOOM,120	
6	AG229660	4	PLATE SHIM	
7	AG229661	4	PAD WEAR	
8	AG261821	2	PIVOT WLDMT-LINK	
9	AG261822	4	PLATE-LINK	
10	AG262997	2	CYLINDER ASM-BOOM SWING	SEE PAGE 5-23
11	AG327314	1	PIVOT WLDMT-RH	
12	AG327315	1	PIVOT WLDMT-LH	
13	AG328805	4	PIN WLDMT-SUPPORT,CENTER	
14	AG328806	6	PIN WLDMT-SUPPORT	
15	AG511099	-	GREASE-MULTI PURPOSE LITH. [BULK: 0.001 LB]	
16	AG512885	AR	LOCTITE ADHESIVE SEALANT BLUE	
17	AG514559	10	WASHER 0.37 FL ZN SAE G8	
18	AG514814	2	BUMPER PAD	
19	AG515352	4	PIN COTTER 0.18X2.00 SS	
20	AG522925	10	BUSHING-1.25 ID X1.625 OD	
21	AG522980	AR	LOCTITE-603,GREEN	
22	AG550175	10	BOLT 0.37-16NCX 1.00 G5 ZN HHD	
23	AG550191	8	WASHER LK 0.37 ZN REG	
24	AG550485	16	BOLT 25-20NCX.75 G5 ZN HHD	
25	AG550493	16	WASHER LK 0.25 ZN REG	
26	AG550507	16	WASHER FL 0.25 ZN REG TYPE-B	
27	AG550515	4	BOLT 0.37-16NCX 1.25 G5 ZN HHD	
28	AG550779	4	BOLT 0.37-16NCX 1.50 G5 ZN HHD	
29	AG550825	6	NUT 0.37-16NC HEX ZN REG	
30	AG551406	4	WASHER 0.43 FL ZN REG TYPE-B	
31	AG551856	4	WASHER1.00FL ZN SAE TYPE-A	
32	AG558796	2	BOLT 0.43-14NCX 4.50 G5 ZN HHD	
33	AG561826	2	FITTING LUBE 0.25-28 NF 90D	
34	AG561892	16	FITTING LUBE STR 0.25UNF	
35	AG562193	2	NUT 0.43-14NC HEX ZN C-LK	
36	AG602132	4	PIN CLEVIS 1.00X2.62 ZN	[A]
37	506624D1	2	PLATE-SHIM,PAD,BUMPER,7 GA	
	FOOTNOTE [A]		NON-GREASABLE, CAN USE AG519637-- GREASABLE	



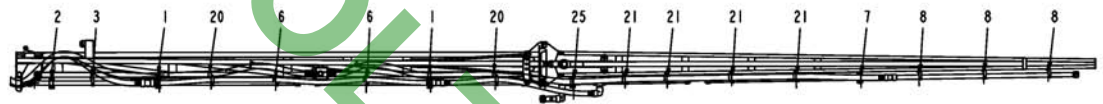
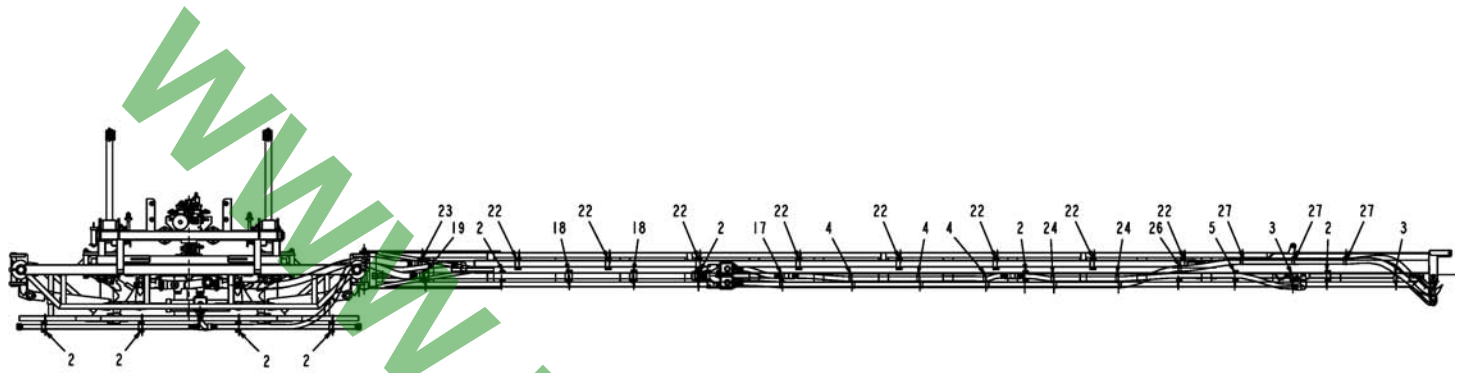
ITEM	PART #	QTY	DESCRIPTION	COMMENTS
1	AG122030	1	CYLINDER ASM-HOIST,BOOM	SEE PAGE 5-16
2	AG511099	-	GREASE-MULTI PURPOSE LITH. [BULK: 0.001 LB]	
3	AG514814	2	BUMPER PAD	
4	AG516403	1	NUT 0.31-18NC HEX ESNA SS	
5	AG518032	1	BUSHING SELF ALIGNING RADIAL	[A]
6	AG518358	2	WASHER FENDER .31 X 1.50 OD	
7	AG524263	1	PIN-HITCH,1.00X4.50	
8	AG550124	8	NUT 0.50-13NC HEX ZN REG	
9	AG550167	4	BOLT 0.37-16NCX 0.62 G5 ZN HHD	
10	AG550191	4	WASHER LK 0.37 ZN REG	
11	AG550264	8	WASHER 0.50 LK ZN REG	
12	AG550280	1	FITTING LUB.12-27NPTFX0.68	
13	AG550817	8	BOLT 0.50-13NCX 1.50 G5 ZN HHD	
14	AG561177	2	BOLT 1.00- 8NCX 3.50 G5 ZN HHD	
15	AG561251	1	BOLT 0.31-18NCX 2.25 G5 ZN HHD	
16	AG561892	4	FITTING LUBE STR 0.25UNF	
17	AG563036	2	LOCKNUT 1.00 IN NC HES ESNA	
18	506321D1	1	BOOM TREE WLDMT-3.00 SLIDE	
	FOOTNOTE [A]		PIN THRU BEARING-AG229652, WLDMNT BEARING PRESSED INTO - AG309764	



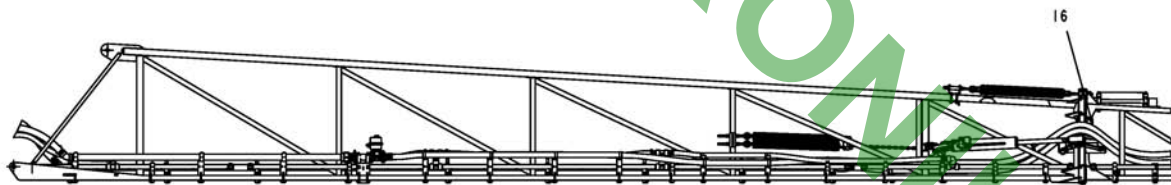
ITEM	PART #	QTY	DESCRIPTION	COMMENTS
1	AG108578	2	END CAP	
2	AG109348	2	CAP-END	
3	AG112224	2	END CAP	
4	AG121022	2	BRKT-MTG,F/M,36GL,LIQ SYS	
5	AG121023	4	GUSSET-BRKT,MTG,F/M,LIQ SYS	
6	AG121024	1	BRKT-MTG,REG,AIR,F/M,LIQ SYS	
7	AG136702	2	BRKT-MTG,I/O MODULE,BM TREE	
8	AG201596	2	PLATE	
9	AG229581	1	TUBE VERTICAL CENTER	
10	AG229625	2	TUBE UPPER FRAME HD BOOM	
11	AG229630	2	TUBE LOWER	
12	AG229633	1	TUBE HORIZONTAL UPPER	
13	AG229637	2	TUBE STOP	
14	AG229837	2	TUBE GUSSET	
15	AG229896	1	PLATE GUSSET FORMED	
16	AG236590	2	TUBE-BOOM,TREE	
17	AG236591	2	BAR-GUARD,HOSE	
18	AG260221	2	TAB-MTG,CYL	
19	AG262372	4	BAR-GUIDE,WIRE	
20	AG263222	2	FLANGE-MTG,GUSSET	
21	AG327787	1	TUBE-SUPPORT,CENTER BOOM	
22	AG327788	1	BRKT-BOOM TREE SPRT,LH	
23	AG327789	1	BRKT-BOOM TREE SPRT,RH	
24	AG327790	1	PLATE-MTG,BOOM VALVE	
25	AG327846	2	GUSSET WLDMT-BOOM TREE	
26	506476D1	1	PLATE-MTG,BLOCK,HYD,AUTOBOOM	
27	506499D1	2	TUBE WLDMT-SPRT,INR,BOOM TREE	



ITEM	PART #	QTY	DESCRIPTION	COMMENTS
1	AG108578	2	END CAP	
2	AG109348	2	CAP-END	
3	AG112224	2	END CAP	
4	AG121022	2	BRKT-MTG,F/M,36GL,LIQ SYS	
5	AG121023	4	GUSSET-BRKT,MTG,F/M,LIQ SYS	
6	AG121024	1	BRKT-MTG,REG,AIR,F/M,LIQ SYS	
7	AG136702	2	BRKT-MTG,I/O MODULE,BM TREE	
8	AG201596	2	PLATE	
9	AG229581	1	TUBE VERTICAL CENTER	
10	AG229625	2	TUBE UPPER FRAME HD BOOM	
11	AG229630	2	TUBE LOWER	
12	AG229633	1	TUBE HORIZONTAL UPPER	
13	AG229637	2	TUBE STOP	
14	AG229837	2	TUBE GUSSET	
15	AG229896	1	PLATE GUSSET FORMED	
16	AG236590	2	TUBE-BOOM,TREE	
17	AG236591	2	BAR-GUARD,HOSE	
18	AG260221	2	TAB-MTG,CYL	
19	AG262372	4	BAR-GUIDE,WIRE	
20	AG263222	2	FLANGE-MTG,GUSSET	
21	AG327787	1	TUBE-SUPPORT,CENTER BOOM	
22	AG327788	1	BRKT-BOOM TREE SPRT,LH	
23	AG327789	1	BRKT-BOOM TREE SPRT,RH	
24	AG327790	1	PLATE-MTG,BOOM VALVE	
25	AG327846	2	GUSSET WLDMT-BOOM TREE	
26	506476D1	1	PLATE-MTG,BLOCK,HYD,AUTOBOOM	
27	506499D1	2	TUBE WLDMT-SPRT,INR,BOOM TREE	

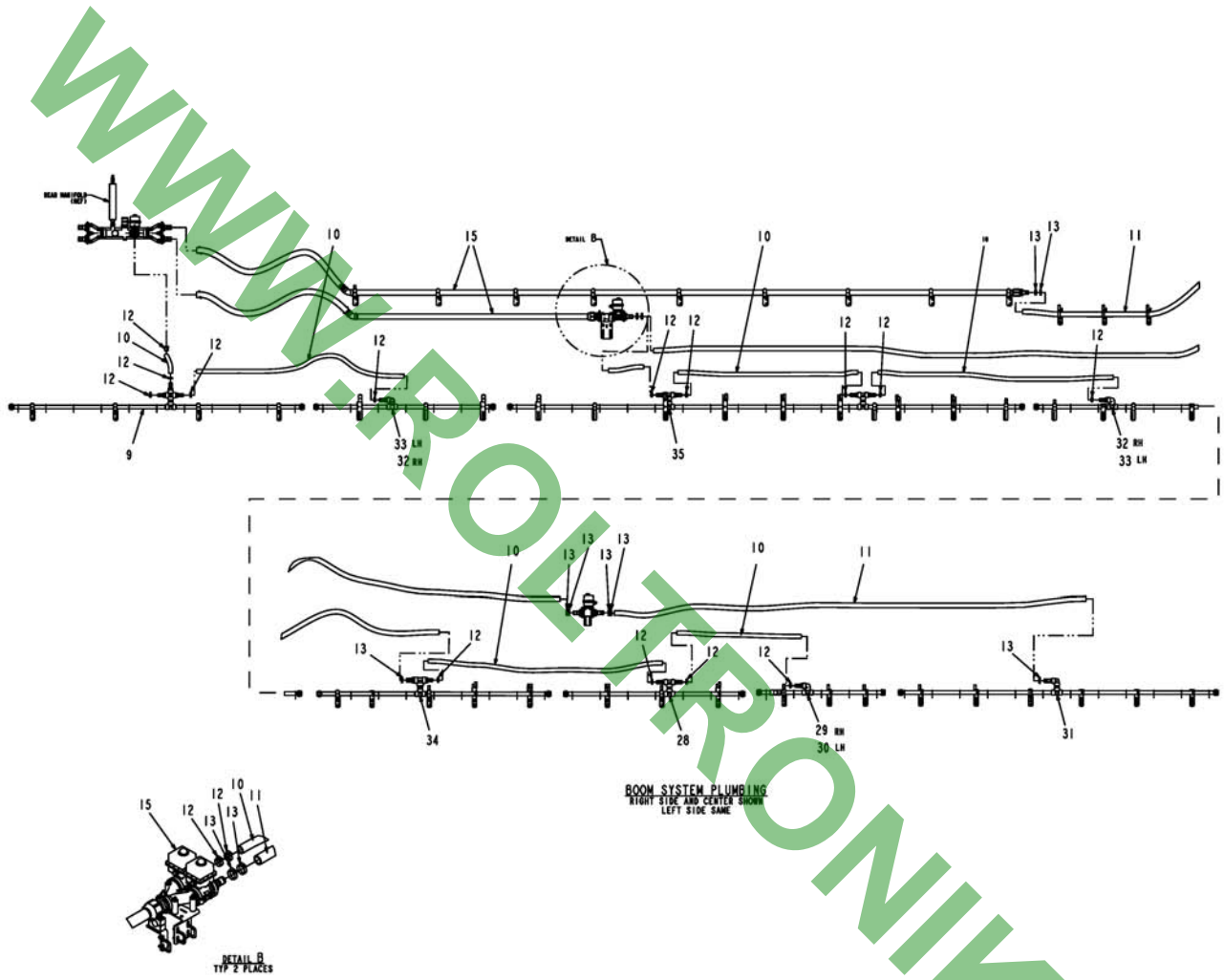


MOUNTING CLAMP SPACING
CENTER & RIGHT SIDE SHOWN
LEFT SIDE SAME SPACING AS RIGHT SIDE

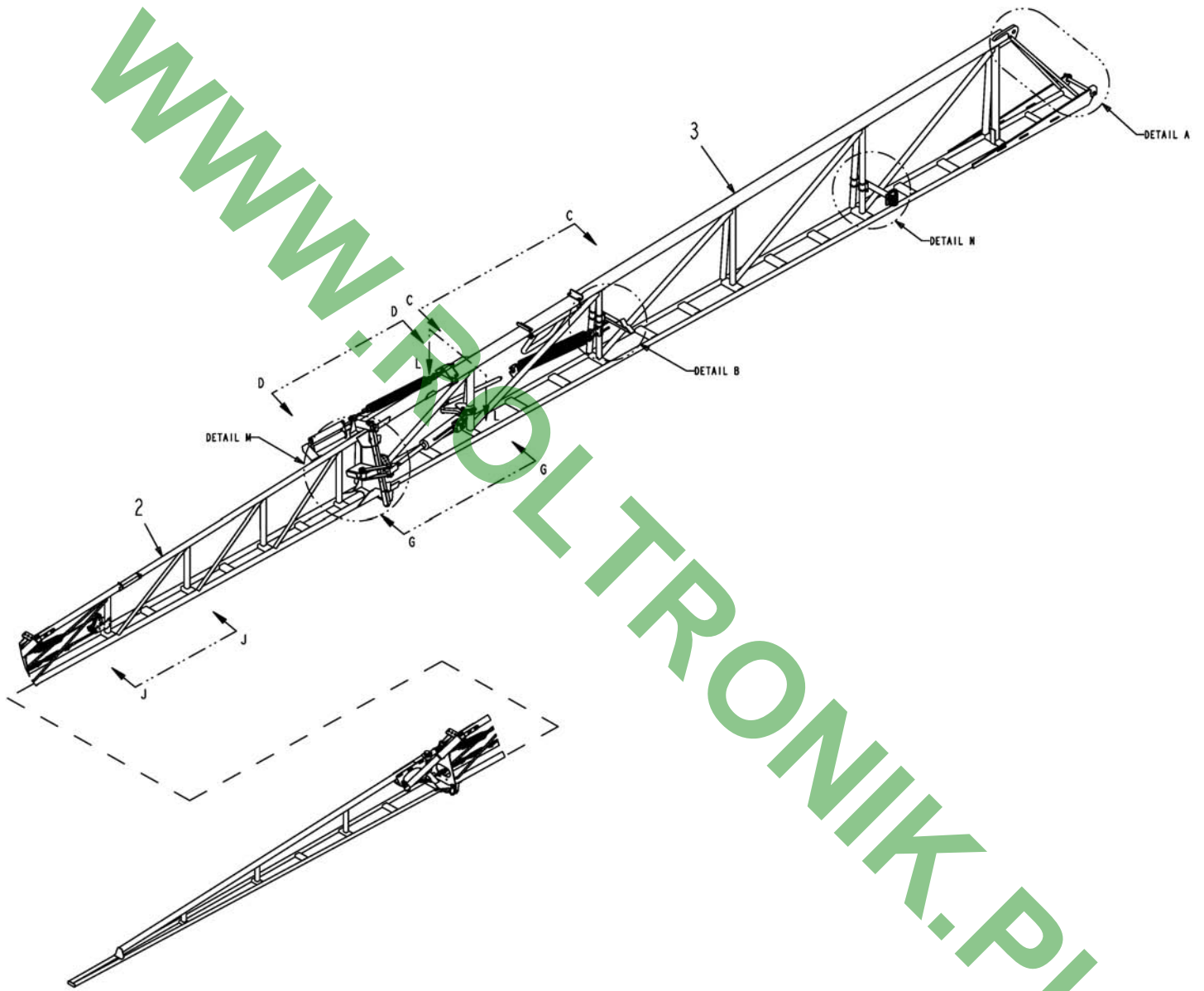


INNER BOOM PLMB
RIGHT SIDE SHOWN FROM REAR
LEFT SIDE SAME AS RIGHT SIDE

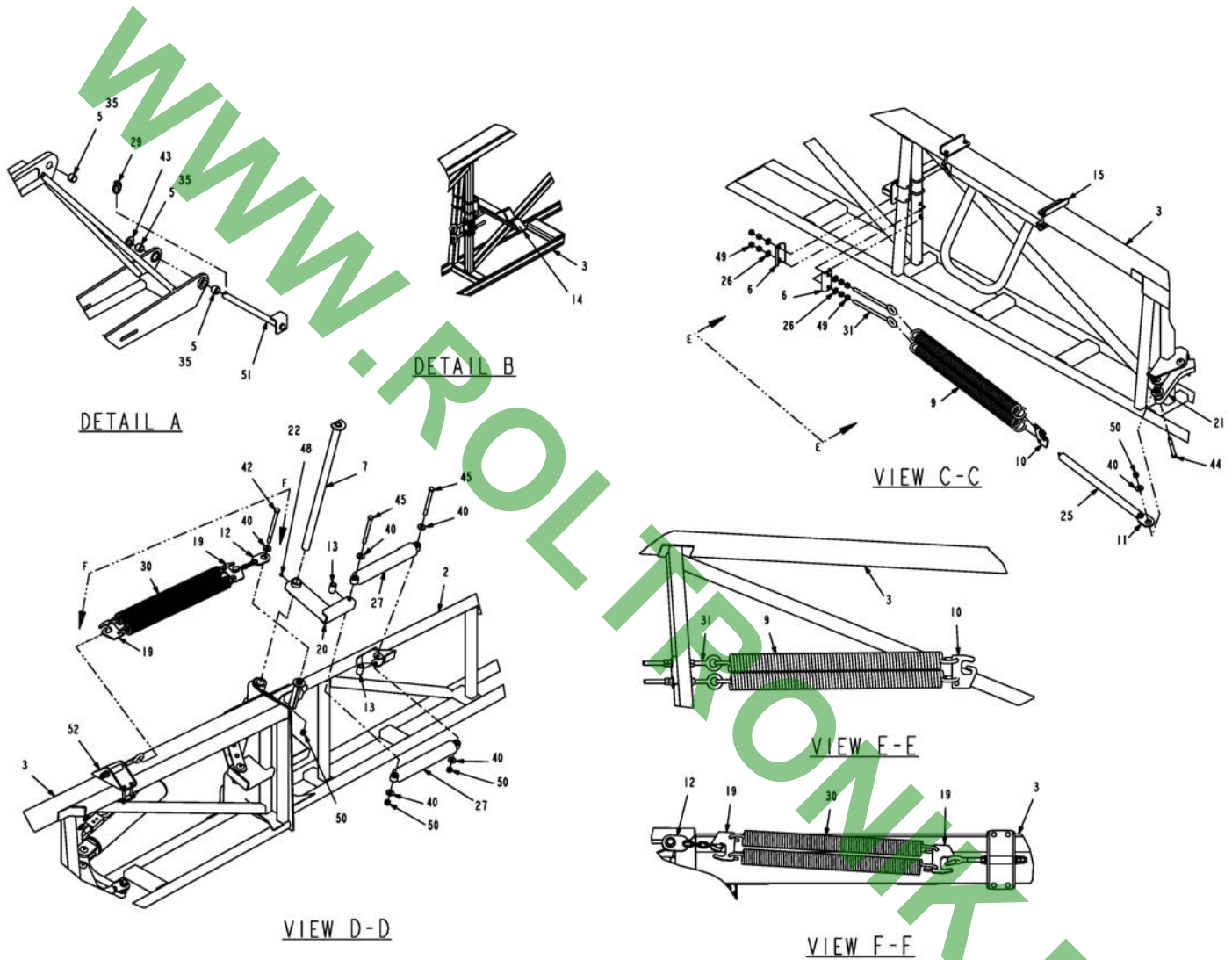
ITEM	PART #	QTY	DESCRIPTION	COMMENTS
1	AG122513	4	BRKT ASM-L,PP STAUFF 1.25 P	SEE PAGE 4-74
2	AG122520	10	BRKT ASM-L,PP STAUFF	SEE PAGE 4-62
3	AG122521	6	BRKT ASM-STR,SH,IPS CLP	SEE PAGE 4-63
4	AG122608	6	BRKT ASM-STR,LS,IPS,1.25 P CLP	SEE PAGE 4-70
5	AG122610	2	BRKT ASM-L,PP STAUFF,CTR P CLP	SEE PAGE 4-64
6	AG122957	4	BRKT ASM-STR,LG,IPS,P CLP	SEE PAGE 4-69
7	WR129085	2	BRKT ASM-L,PP STAUFF,1.00U	SEE PAGE 4-86
8	WR129086	6	BRKT ASM-STR,SH,IPS CLP,1.00U	SEE PAGE 4-87
9	AG134642	1	PIPE ASM-X W/3 1.00HB,11X10,PP	SEE PAGE 4-23
10	AG511528	-	HOSE 1.00 2BRD EPDM [BULK: 66.334 FT]	
11	AG513393	-	HOSE 1.25 2BRD EPDM [BULK: 102.500 FT]	
12	AG561213	28	CLAMP 0.81-1.50 HOSE 16HS	
13	AG561230	20	CLAMP 0.81-1.75 HOSE 20HS	
14	AG562496	AR	TIE CABLE 15.0 .18-4.00 BLACK	
15	506451D1	1	SYS INSTL-PLMB,120X7,ELEC VLV	
16	506720D1	86	SLEEVE-PROTECTIVE,NYLON,-48	
17	506721D1	2	BRKT ASM-STR,LG,IPS,1.62 PCLP	SEE PAGE 4-93
18	506722D1	4	BRKT ASM-L,1IPS,1.50 STAUFF	SEE PAGE 4-94
19	506723D1	2	BRKT ASM-L,1IPS,1.50 STAUFF,LG	SEE PAGE 4-95
20	506724D1	4	BRKT ASM-STR,LG,IPS,2PCLP	SEE PAGE 4-96
21	506725D1	8	BRKT ASM-STR,SH,IPS,1.25,1.00	SEE PAGE 4-97
22	506726D1	16	BRKT ASM-L,1.50 STAUFF,STD U	SEE PAGE 4-88
23	506727D1	2	BRKT ASM-L,1.50 STAUFF,P,LG U	SEE PAGE 4-98
24	506728D1	4	BRKT ASM-STR,LG,IPS,2XP CLP	SEE PAGE 4-99
25	506729D1	2	BRKT ASM-L,PP STAUFF,PCLP,1.00	SEE PAGE 4-100
26	506730D1	2	BRKT ASM-L W/1.25/1.00 PCLP	SEE PAGE 4-101
27	506731D1	6	BRKT ASM-STR,SH,2X 1.25 P CLP	SEE PAGE 4-102
28	506734D1	2	PIPE ASM-T W/2 1.00HB,7X10,PP	SEE PAGE 4-89
29	506735D1	1	PIPE ASM-90D W/1HB,5X10,PP,RH	SEE PAGE 4-103
30	506736D1	1	PIPE ASM-90D W/1HB,5X10,PP,LH	SEE PAGE 4-90
31	506737D1	2	PIPE ASM-90D W/1.25HB,12X10,PP	SEE PAGE 4-104
32	506738D1	2	PIPE ASM-90D W/1HB,7X10,PP,RH	SEE PAGE 4-91
33	506739D1	2	PIPE ASM-90D W/1HB,7X10,PP,LH	SEE PAGE 4-105
34	506740D1	2	PIPE ASM-T W/1.25/1HD,9X10,PP	SEE PAGE 4-92
35	506741D1	2	PIPE ASM-2T,W/4 1HB,19X10,PP	SEE PAGE 4-106
36	508671D1	5	BRKT ASM-L,REV,1.00PP STAUFF	



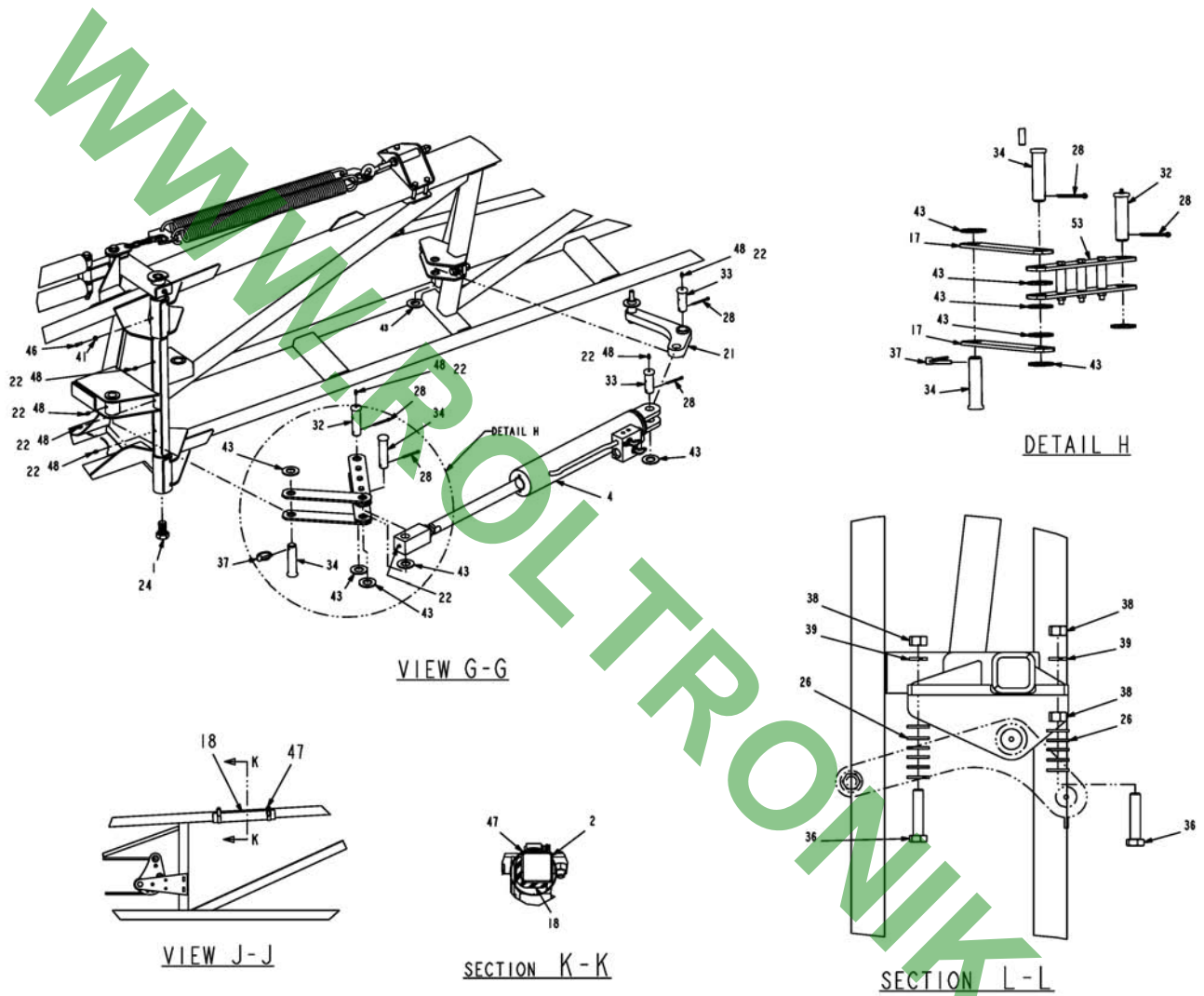
ITEM	PART #	QTY	DESCRIPTION	COMMENTS
1	AG122513	4	BRKT ASM-L,PP STAUFF 1.25 P	SEE PAGE 4-74
2	AG122520	10	BRKT ASM-L,PP STAUFF	SEE PAGE 4-62
3	AG122521	6	BRKT ASM-STR,SH,IPS CLP	SEE PAGE 4-63
4	AG122608	6	BRKT ASM-STR,LS,IPS,1.25 P CLP	SEE PAGE 4-70
5	AG122610	2	BRKT ASM-L,PP STAUFF,CTR P CLP	SEE PAGE 4-64
6	AG122957	4	BRKT ASM-STR,LG,IPS,P CLP	SEE PAGE 4-69
7	WR129085	2	BRKT ASM-L,PP STAUFF,1.00U	SEE PAGE 4-86
8	WR129086	6	BRKT ASM-STR,SH,IPS CLP,1.00U	SEE PAGE 4-87
9	AG134642	1	PIPE ASM-X W/3 1.00HB,11X10,PP	SEE PAGE 4-23
10	AG511528	-	HOSE 1.00 2BRD EPDM [BULK: 66.334 FT]	
11	AG513393	-	HOSE 1.25 2BRD EPDM [BULK: 102.500 FT]	
12	AG561213	28	CLAMP 0.81-1.50 HOSE 16HS	
13	AG561230	20	CLAMP 0.81-1.75 HOSE 20HS	
14	AG562496	AR	TIE CABLE 15.0 .18-4.00 BLACK	
15	506451D1	1	SYS INSTL-PLMB,120X7,ELEC VLV	
16	506720D1	86	SLEEVE-PROTECTIVE,NYLON,-48	
17	506721D1	2	BRKT ASM-STR,LG,IPS,1.62 PCLP	SEE PAGE 4-93
18	506722D1	4	BRKT ASM-L,1IPS,1.50 STAUFF	SEE PAGE 4-94
19	506723D1	2	BRKT ASM-L,1IPS,1.50 STAUFF,LG	SEE PAGE 4-95
20	506724D1	4	BRKT ASM-STR,LG,IPS,2PCLP	SEE PAGE 4-96
21	506725D1	8	BRKT ASM-STR,SH,IPS,1.25,1.00	SEE PAGE 4-97
22	506726D1	16	BRKT ASM-L,1.50 STAUFF,STD U	SEE PAGE 4-88
23	506727D1	2	BRKT ASM-L,1.50 STAUFF,P,LG U	SEE PAGE 4-98
24	506728D1	4	BRKT ASM-STR,LG,IPS,2XP CLP	SEE PAGE 4-99
25	506729D1	2	BRKT ASM-L,PP STAUFF,PCLP,1.00	SEE PAGE 4-100
26	506730D1	2	BRKT ASM-L W/1.25/1.00 PCLP	SEE PAGE 4-101
27	506731D1	6	BRKT ASM-STR,SH,2X 1.25 P CLP	SEE PAGE 4-102
28	506734D1	2	PIPE ASM-T W/2 1.00HB,7X10,PP	SEE PAGE 4-89
29	506735D1	1	PIPE ASM-90D W/1HB,5X10,PP,RH	SEE PAGE 4-103
30	506736D1	1	PIPE ASM-90D W/1HB,5X10,PP,LH	SEE PAGE 4-90
31	506737D1	2	PIPE ASM-90D W/1.25HB,12X10,PP	SEE PAGE 4-104
32	506738D1	2	PIPE ASM-90D W/1HB,7X10,PP,RH	SEE PAGE 4-91
33	506739D1	2	PIPE ASM-90D W/1HB,7X10,PP,LH	SEE PAGE 4-105
34	506740D1	2	PIPE ASM-T W/1.25/1HD,9X10,PP	SEE PAGE 4-92
35	506741D1	2	PIPE ASM-2T,W/4 1HB,19X10,PP	SEE PAGE 4-106
36	508671D1	5	BRKT ASM-L,REV,1.00PP STAUFF	



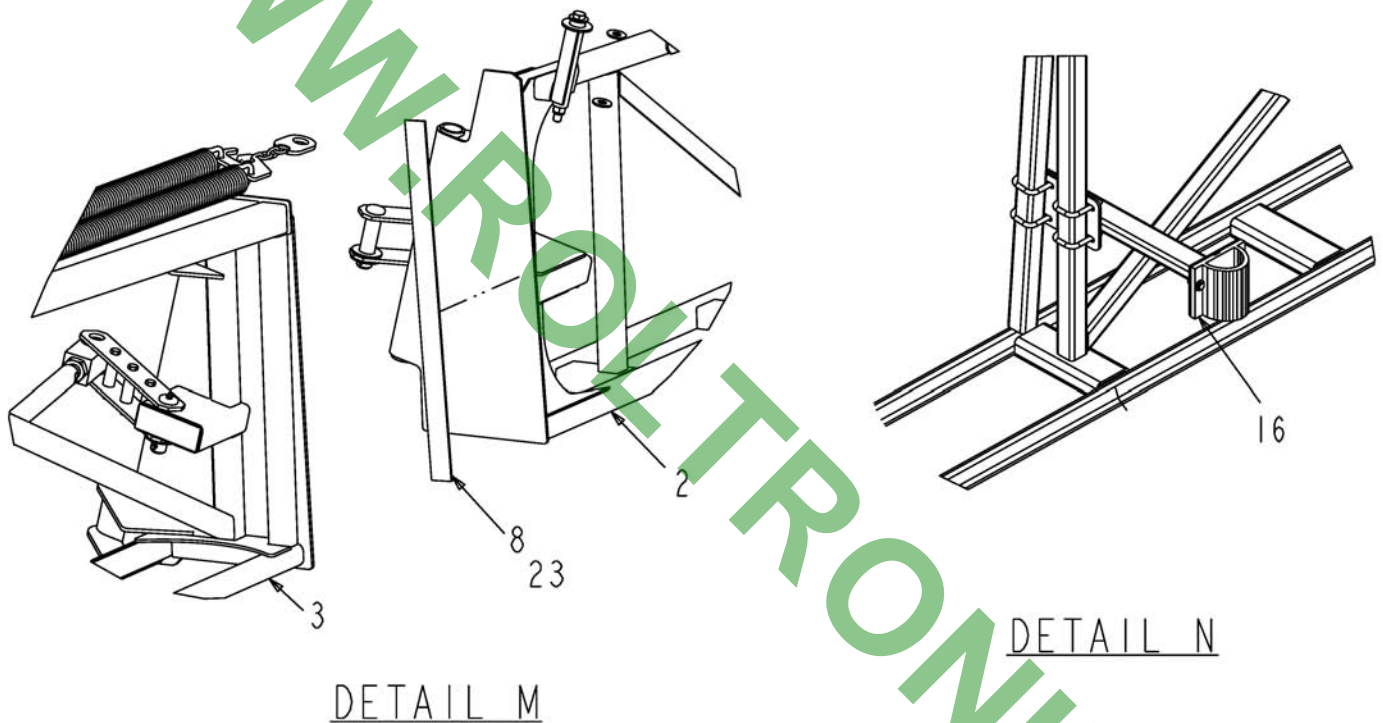
ITEM	PART #	QTY	DESCRIPTION	COMMENTS
1	AG126884	1	BOLT-.88-9 X 1.50,G5,HHCS,Z/Y	
2	AG136809	1	TIP ASM-FOLD BACK,BM,120FT,LH	SEE PAGE 3-34
3	AG136817	1	BOOM WLDMT-INNER,120,LH	
4	AG136820	1	CYLINDER ASM-FOLD BACK,BM,120	SEE PAGE 5-34
5	AG136947	3	BUSHING-1.00ID X 1.25OD X 1.00	
6	AG136966	2	PLATE-DBLR,TUBE,BOOM,DBL SPR	
7	AG136967	1	PIN WELDMNT-PIVOT,INNER/MID	
8	AG136969	1	MATTING-RBR,,.12X1.50X24.50	
9	AG136970	2	SPR-EXT,,.39WIRE,2.25ODX67COIL	
10	AG136971	1	PLATE-EYEBOLT,DBL 2.25OD SPR	
11	AG136972	1	CHAIN WLDMT-PVT PLATE,24 LINK	
12	AG136978	1	CHAIN WLDMT-PVT PLATE,5 LINK	
13	AG136979	2	TUBE-SPCR,1.00ODX.563IDX1.56	
14	AG136981	1	REST INSTL-BM,FLD BACK,120,LH	SEE PAGE 3-39
15	AG136987	1	RETAINER INSTL-BM,4.00 TUBE	SEE PAGE 3-40
16	AG136993	1	BUMPER INSTL-FOLD BACK,120,LH	SEE PAGE 3-41
17	AG230129	2	BAR LINK SHORT	
18	AG260770	1	ANGLE-WEAR,UHMW	
19	AG263036	2	PLATE-EYEBOLT	
20	AG309923	1	MOUNT SHOCK WLDMT	
21	AG309967	1	PLATE PIVOT WLDMT LH	
22	AG511099	-	GREASE-MULTI PURPOSE LITH. [BULK: 0.001 LB]	
23	AG512346	AR	ADHESIVE RUBBER	[A]
24	AG512885	AR	LOCTITE ADHESIVE SEALANT BLUE	
25	AG513679	-	HOSE-1.00 EVA,TRANSLUCENT [BULK: 1.800 FT]	
26	AG514554	15	WASHER-FL,,.50,ZN,G8,REG	
27	AG515274	2	SHOCK ABSORBER W/BOOT	[B]
28	AG515352	4	PIN COTTER 0.18X2.00 SS	
29	AG516106	1	PIN LYNCH 0.31X1.68	
30	AG517793	2	SPRING EXTENSION 2 IN ODX 25.75	
31	AG518025	2	EYEBOLT .50-13 UNC X 8.00 GALV	
32	AG522056	1	PIN-CLEVIS,1.00 X 3.62	
33	AG522057	2	PIN-CLEVIS 1.00 X 2.69	
34	AG522058	2	PIN-CLEVIS 1.00 X4.00	
35	AG522980	AR	LOCTITE-603,GREEN	
36	AG523563	2	BOLT-.50-13X2.25,G5,ZN,HHD,FT	
37	AG524255	1	PIN-LYNCH,,.25X1.56,ZN	
38	AG550124	3	NUT 0.50-13NC HEX ZN REG	
39	AG550264	2	WASHER 0.50 LK ZN REG	
40	AG550353	6	WASHER 0.50 FL ZN REG TYPE-B	
41	AG550612	1	NUT 0.25-20NC HEX ZN REG	
42	AG551546	1	BOLT.50-13NCX 7.50G5 ZN HHD(D)	
43	AG551856	9	WASHER1.00FL ZN SAE TYPE-A	
44	AG552410	1	BOLT 0.50-13NCX 4.00 G5 ZN HHD	
45	AG560286	2	BOLT 0.50-13NCX 6.00 G5 ZN HHD	
46	AG561078	1	SCREW .25-20X 0.75 SET PL CPSQ	
47	AG561218	2	CLAMP 1.31-2.25 HOSE 28HS	
48	AG561892	8	FITTING LUBE STR 0.25UNF	
49	AG562538	8	NUT 0.50-13NC HEX GALV REG OSZ	
50	AG601152	4	NUT 0.50-13NC HEX ZN REG NY	
51	506316D1	1	PIN WLDMT-BOOM,INNER	
52	506322D1	1	BRKT INSTL-MTG,ADJ,SPR,UPR	SEE PAGE 3-42
53	506334D1	1	LINKAGE ASM-CYL,HYD,INNER/MID	SEE PAGE 3-43
	FOOTNOTE [A]		AG717696 RUBBER ADHESIVE IN PINTS	
	FOOTNOTE [B]		AG609376 - BOOT ONLY	



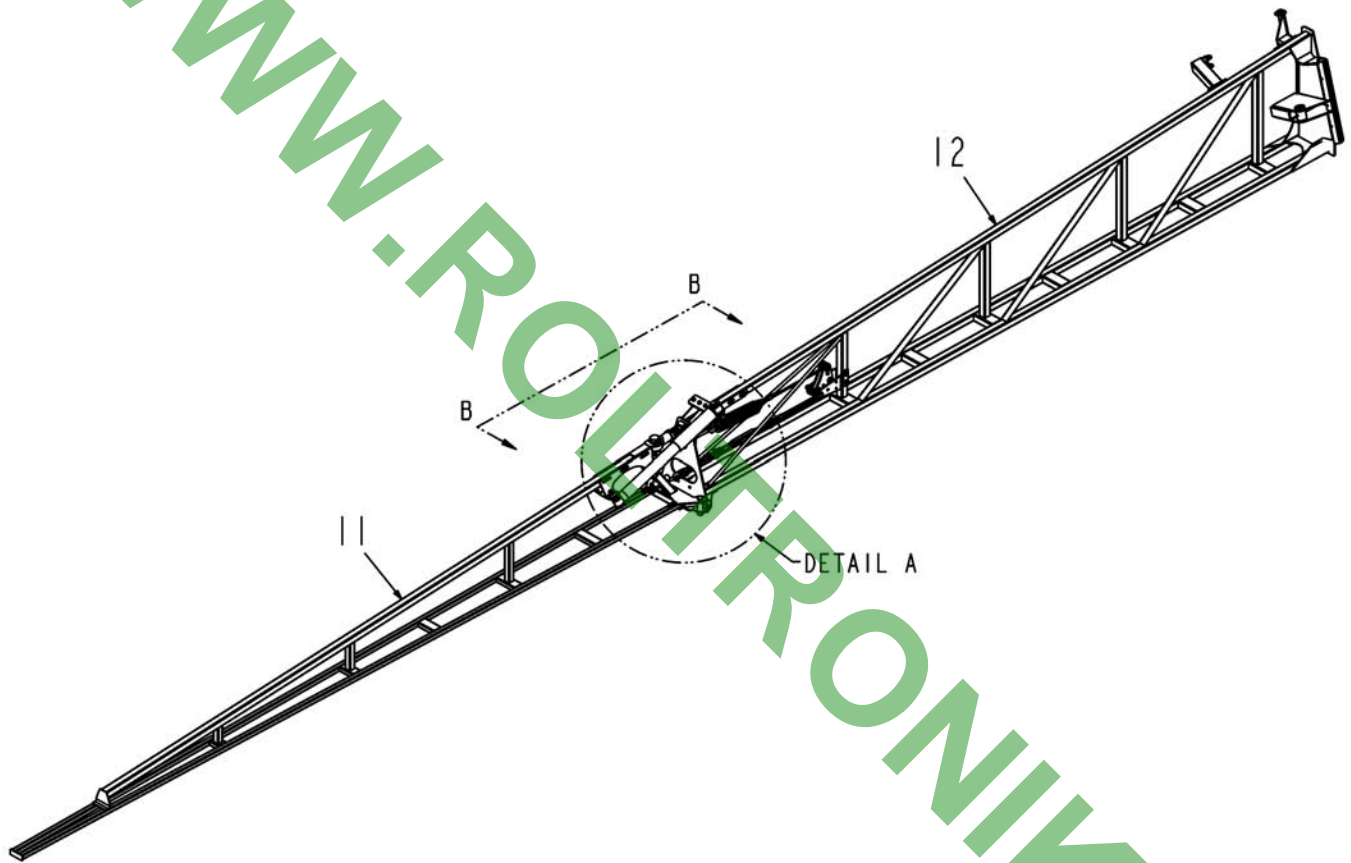
ITEM	PART #	QTY	DESCRIPTION	COMMENTS
1	AG126884	1	BOLT-.88-9 X 1.50,G5,HHCS,Z/Y	
2	AG136809	1	TIP ASM-FOLD BACK,BM,120FT,LH	SEE PAGE 3-34
3	AG136817	1	BOOM WLDMT-INNER,120,LH	
4	AG136820	1	CYLINDER ASM-FOLD BACK,BM,120	SEE PAGE 5-34
5	AG136947	3	BUSHING-1.00ID X 1.25OD X 1.00	
6	AG136966	2	PLATE-DBLR,TUBE,BOOM,DBL SPR	
7	AG136967	1	PIN WELDMENT-PIVOT,INNER/MID	
8	AG136969	1	MATTING-RBR,.12X1.50X24.50	
9	AG136970	2	SPR-EXT,.39WIRE,2.25ODX67COIL	
10	AG136971	1	PLATE-EYEBOLT,DBL 2.25OD SPR	
11	AG136972	1	CHAIN WLDMT-PVT PLATE,24 LINK	
12	AG136978	1	CHAIN WLDMT-PVT PLATE,5 LINK	
13	AG136979	2	TUBE-SPCR,1.00ODX.563IDX1.56	
14	AG136981	1	REST INSTL-BM,FLD BACK,120,LH	SEE PAGE 3-39
15	AG136987	1	RETAINER INSTL-BM,4.00 TUBE	SEE PAGE 3-40
16	AG136993	1	BUMPER INSTL-FOLD BACK,120,LH	SEE PAGE 3-41
17	AG230129	2	BAR LINK SHORT	
18	AG260770	1	ANGLE-WEAR,UHMW	
19	AG263036	2	PLATE-EYEBOLT	
20	AG309923	1	MOUNT SHOCK WLDMT	
21	AG309967	1	PLATE PIVOT WLDMT LH	
22	AG511099	-	GREASE-MULTI PURPOSE LITH. [BULK: 0.001 LB]	
23	AG512346	AR	ADHESIVE RUBBER	[A]
24	AG512885	AR	LOCTITE ADHESIVE SEALANT BLUE	
25	AG513679	-	HOSE-1.00 EVA,TRANSLUCENT [BULK: 1.800 FT]	
26	AG514554	15	WASHER-FL,.50,ZN,G8,REG	
27	AG515274	2	SHOCK ABSORBER W/BOOT	[B]
28	AG515352	4	PIN COTTER 0.18X2.00 SS	
29	AG516106	1	PIN LYNCH 0.31X1.68	
30	AG517793	2	SPRING EXTENSION 2 IN ODX 25.75	
31	AG518025	2	EYEBOLT .50-13 UNC X 8.00 GALV	
32	AG522056	1	PIN-CLEVIS,1.00 X 3.62	
33	AG522057	2	PIN-CLEVIS 1.00 X 2.69	
34	AG522058	2	PIN-CLEVIS 1.00 X4.00	
35	AG522980	AR	LOCTITE-603,GREEN	
36	AG523563	2	BOLT-.50-13X2.25,G5,ZN,HHD,FT	
37	AG524255	1	PIN-LYNCH,.25X1.56,ZN	
38	AG550124	3	NUT 0.50-13NC HEX ZN REG	
39	AG550264	2	WASHER 0.50 LK ZN REG	
40	AG550353	6	WASHER 0.50 FL ZN REG TYPE-B	
41	AG550612	1	NUT 0.25-20NC HEX ZN REG	
42	AG551546	1	BOLT.50-13NCX 7.50G5 ZN HHD(D)	
43	AG551856	9	WASHER1.00FL ZN SAE TYPE-A	
44	AG552410	1	BOLT 0.50-13NCX 4.00 G5 ZN HHD	
45	AG560286	2	BOLT 0.50-13NCX 6.00 G5 ZN HHD	
46	AG561078	1	SCREW .25-20X 0.75 SET PL CPSQ	
47	AG561218	2	CLAMP 1.31-2.25 HOSE 28HS	
48	AG561892	8	FITTING LUBE STR 0.25UNF	
49	AG562538	8	NUT 0.50-13NC HEX GALV REG OSZ	
50	AG601152	4	NUT 0.50-13NC HEX ZN REG NY	
51	506316D1	1	PIN WLDMT-BOOM,INNER	
52	506322D1	1	BRKT INSTL-MTG,ADJ,SPR,UPR	SEE PAGE 3-42
53	506334D1	1	LINKAGE ASM-CYL,HYD,INNER/MID	SEE PAGE 3-43
	FOOTNOTE [A]		AG717696 RUBBER ADHESIVE IN PINTS	
	FOOTNOTE [B]		AG609376 - BOOT ONLY	



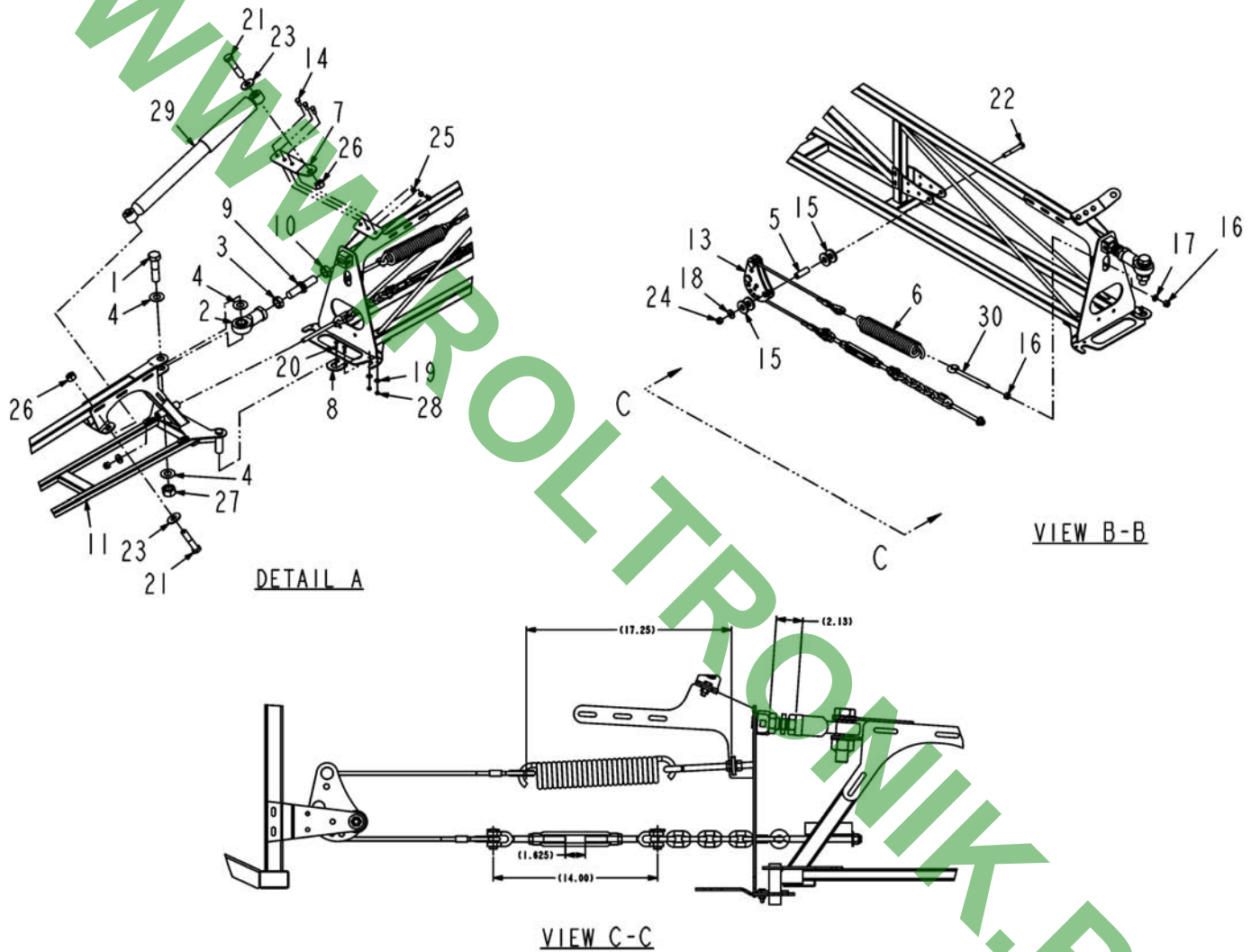
ITEM	PART #	QTY	DESCRIPTION	COMMENTS
1	AG126884	1	BOLT-.88-9 X 1.50,G5,HHCS,Z/Y	
2	AG136809	1	TIP ASM-FOLD BACK,BM,120FT,LH	SEE PAGE 3-34
3	AG136817	1	BOOM WLDMT-INNER,120,LH	
4	AG136820	1	CYLINDER ASM-FOLD BACK,BM,120	SEE PAGE 5-34
5	AG136947	3	BUSHING-1.00ID X 1.25OD X 1.00	
6	AG136966	2	PLATE-DBLR,TUBE,BOOM,DBL SPR	
7	AG136967	1	PIN WELDMENT-PIVOT,INNER/MID	
8	AG136969	1	MATTING-RBR,,.12X1.50X24.50	
9	AG136970	2	SPR-EXT,,.39WIRE,2.25ODX67COIL	
10	AG136971	1	PLATE-EYEBOLT,DBL 2.25OD SPR	
11	AG136972	1	CHAIN WLDMT-PVT PLATE,24 LINK	
12	AG136978	1	CHAIN WLDMT-PVT PLATE,5 LINK	
13	AG136979	2	TUBE-SPCR,1.00ODX.563IDX1.56	
14	AG136981	1	REST INSTL-BM,FLD BACK,120,LH	SEE PAGE 3-39
15	AG136987	1	RETAINER INSTL-BM,4.00 TUBE	SEE PAGE 3-40
16	AG136993	1	BUMPER INSTL-FOLD BACK,120,LH	SEE PAGE 3-41
17	AG230129	2	BAR LINK SHORT	
18	AG260770	1	ANGLE-WEAR,UHMW	
19	AG263036	2	PLATE-EYEBOLT	
20	AG309923	1	MOUNT SHOCK WLDMT	
21	AG309967	1	PLATE PIVOT WLDMT LH	
22	AG511099	-	GREASE-MULTI PURPOSE LITH. [BULK: 0.001 LB]	
23	AG512346	AR	ADHESIVE RUBBER	[A]
24	AG512885	AR	LOCTITE ADHESIVE SEALANT BLUE	
25	AG513679	-	HOSE-1.00 EVA,TRANSLUCENT [BULK: 1.800 FT]	
26	AG514554	15	WASHER-FL,,.50,ZN,G8,REG	
27	AG515274	2	SHOCK ABSORBER W/BOOT	[B]
28	AG515352	4	PIN COTTER 0.18X2.00 SS	
29	AG516106	1	PIN LYNCH 0.31X1.68	
30	AG517793	2	SPRING EXTENSION 2 IN ODX 25.75	
31	AG518025	2	EYEBOLT .50-13 UNC X 8.00 GALV	
32	AG522056	1	PIN-CLEVIS,1.00 X 3.62	
33	AG522057	2	PIN-CLEVIS 1.00 X 2.69	
34	AG522058	2	PIN-CLEVIS 1.00 X4.00	
35	AG522980	AR	LOCTITE-603,GREEN	
36	AG523563	2	BOLT-.50-13X2.25,G5,ZN,HHD,FT	
37	AG524255	1	PIN-LYNCH,,.25X1.56,ZN	
38	AG550124	3	NUT 0.50-13NC HEX ZN REG	
39	AG550264	2	WASHER 0.50 LK ZN REG	
40	AG550353	6	WASHER 0.50 FL ZN REG TYPE-B	
41	AG550612	1	NUT 0.25-20NC HEX ZN REG	
42	AG551546	1	BOLT.50-13NCX 7.50G5 ZN HHD(D)	
43	AG551856	9	WASHER1.00FL ZN SAE TYPE-A	
44	AG552410	1	BOLT 0.50-13NCX 4.00 G5 ZN HHD	
45	AG560286	2	BOLT 0.50-13NCX 6.00 G5 ZN HHD	
46	AG561078	1	SCREW .25-20X 0.75 SET PL CPSQ	
47	AG561218	2	CLAMP 1.31-2.25 HOSE 28HS	
48	AG561892	8	FITTING LUBE STR 0.25UNF	
49	AG562538	8	NUT 0.50-13NC HEX GALV REG OSZ	
50	AG601152	4	NUT 0.50-13NC HEX ZN REG NY	
51	506316D1	1	PIN WLDMT-BOOM,INNER	
52	506322D1	1	BRKT INSTL-MTG,ADJ,SPR,UPR	SEE PAGE 3-42
53	506334D1	1	LINKAGE ASM-CYL,HYD,INNER/MID	SEE PAGE 3-43
	FOOTNOTE [A]		AG717696 RUBBER ADHESIVE IN PINTS	
	FOOTNOTE [B]		AG609376 - BOOT ONLY	



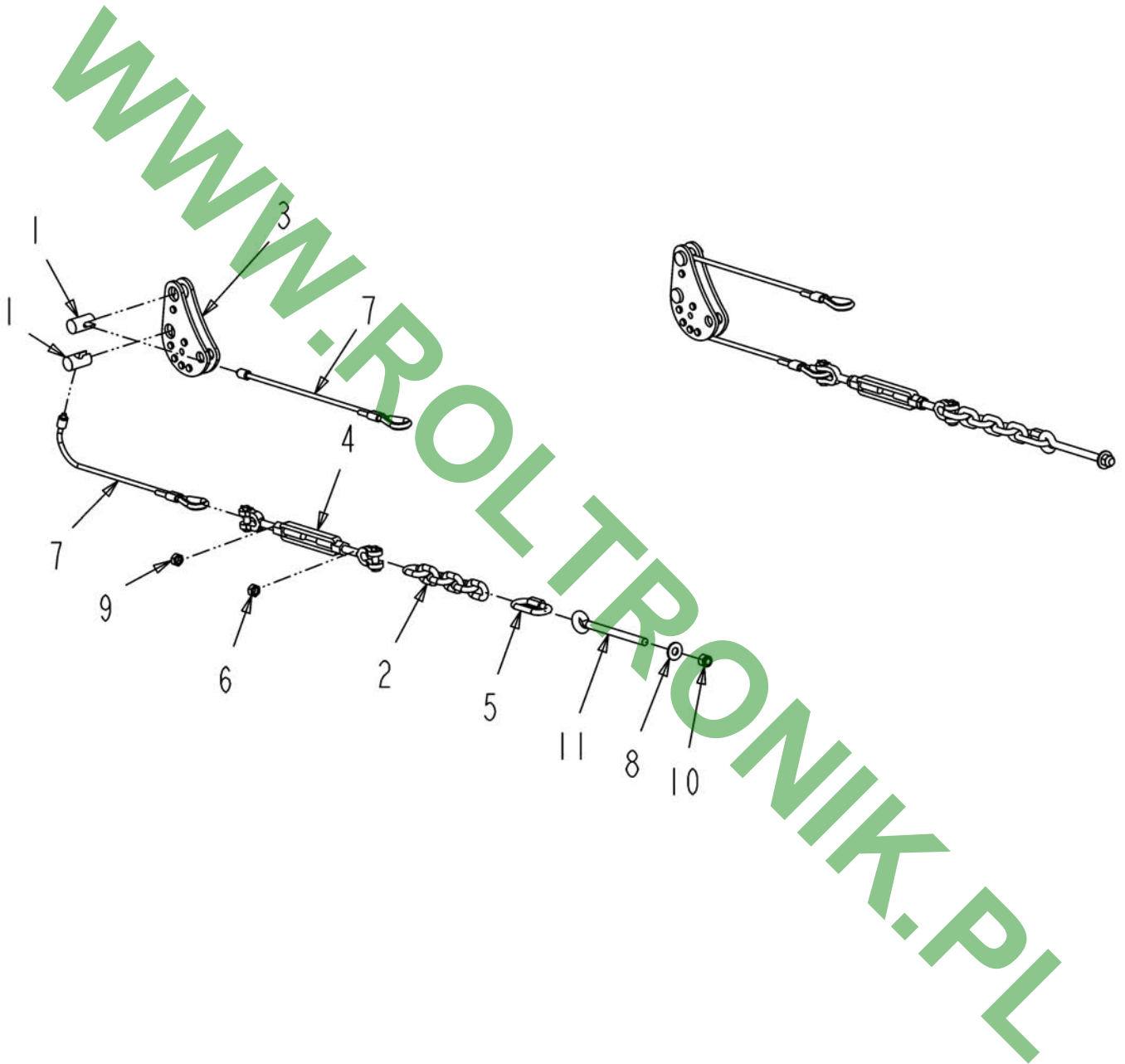
ITEM	PART #	QTY	DESCRIPTION	COMMENTS
1	AG126884	1	BOLT-.88-9 X 1.50,G5,HHCS,Z/Y	
2	AG136809	1	TIP ASM-FOLD BACK,BM,120FT,LH	SEE PAGE 3-34
3	AG136817	1	BOOM WLDMT-INNER,120,LH	
4	AG136820	1	CYLINDER ASM-FOLD BACK,BM,120	SEE PAGE 5-34
5	AG136947	3	BUSHING-1.00ID X 1.25OD X 1.00	
6	AG136966	2	PLATE-DBLR,TUBE,BOOM,DBL SPR	
7	AG136967	1	PIN WELDMNT-PIVOT,INNER/MID	
8	AG136969	1	MATTING-RBR,,.12X1.50X24.50	
9	AG136970	2	SPR-EXT,,.39WIRE,2.25ODX67COIL	
10	AG136971	1	PLATE-EYEBOLT,DBL 2.25OD SPR	
11	AG136972	1	CHAIN WLDMT-PVT PLATE,24 LINK	
12	AG136978	1	CHAIN WLDMT-PVT PLATE,5 LINK	
13	AG136979	2	TUBE-SPCR,1.00ODX.563IDX1.56	
14	AG136981	1	REST INSTL-BM,FLD BACK,120,LH	SEE PAGE 3-39
15	AG136987	1	RETAINER INSTL-BM,4.00 TUBE	SEE PAGE 3-40
16	AG136993	1	BUMPER INSTL-FOLD BACK,120,LH	SEE PAGE 3-41
17	AG230129	2	BAR LINK SHORT	
18	AG260770	1	ANGLE-WEAR,UHMW	
19	AG263036	2	PLATE-EYEBOLT	
20	AG309923	1	MOUNT SHOCK WLDMT	
21	AG309967	1	PLATE PIVOT WLDMT LH	
22	AG511099	-	GREASE-MULTI PURPOSE LITH. [BULK: 0.001 LB]	
23	AG512346	AR	ADHESIVE RUBBER	[A]
24	AG512885	AR	LOCTITE ADHESIVE SEALANT BLUE	
25	AG513679	-	HOSE-1.00 EVA,TRANSLUCENT [BULK: 1.800 FT]	
26	AG514554	15	WASHER-FL,,.50,ZN,G8,REG	
27	AG515274	2	SHOCK ABSORBER W/BOOT	[B]
28	AG515352	4	PIN COTTER 0.18X2.00 SS	
29	AG516106	1	PIN LYNCH 0.31X1.68	
30	AG517793	2	SPRING EXTENSION 2 IN ODX 25.75	
31	AG518025	2	EYEBOLT .50-13 UNC X 8.00 GALV	
32	AG522056	1	PIN-CLEVIS,1.00 X 3.62	
33	AG522057	2	PIN-CLEVIS 1.00 X 2.69	
34	AG522058	2	PIN-CLEVIS 1.00 X4.00	
35	AG522980	AR	LOCTITE-603,GREEN	
36	AG523563	2	BOLT-.50-13X2.25,G5,ZN,HHD,FT	
37	AG524255	1	PIN-LYNCH,,.25X1.56,ZN	
38	AG550124	3	NUT 0.50-13NC HEX ZN REG	
39	AG550264	2	WASHER 0.50 LK ZN REG	
40	AG550353	6	WASHER 0.50 FL ZN REG TYPE-B	
41	AG550612	1	NUT 0.25-20NC HEX ZN REG	
42	AG551546	1	BOLT.50-13NCX 7.50G5 ZN HHD(D)	
43	AG551856	9	WASHER1.00FL ZN SAE TYPE-A	
44	AG552410	1	BOLT 0.50-13NCX 4.00 G5 ZN HHD	
45	AG560286	2	BOLT 0.50-13NCX 6.00 G5 ZN HHD	
46	AG561078	1	SCREW .25-20X 0.75 SET PL CPSQ	
47	AG561218	2	CLAMP 1.31-2.25 HOSE 28HS	
48	AG561892	8	FITTING LUBE STR 0.25UNF	
49	AG562538	8	NUT 0.50-13NC HEX GALV REG OSZ	
50	AG601152	4	NUT 0.50-13NC HEX ZN REG NY	
51	506316D1	1	PIN WLDMT-BOOM,INNER	
52	506322D1	1	BRKT INSTL-MTG,ADJ,SPR,UPR	SEE PAGE 3-42
53	506334D1	1	LINKAGE ASM-CYL,HYD,INNER/MID	SEE PAGE 3-43
	FOOTNOTE [A]		AG717696 RUBBER ADHESIVE IN PINTS	
	FOOTNOTE [B]		AG609376 - BOOT ONLY	



ITEM	PART #	QTY	DESCRIPTION	COMMENTS
1	AG010220	1	BOLT 1.00- 8NCX 4.00 G5 PL HHD	
2	WR34606	1	ROD-END,1-14UNF,FEMALE	
3	WR34609	1	NUT-JAM, 1-14UNF	
4	WR55197	3	WASHER-PLAIN HRD,1 ID GRADE 8	
5	WR124539	1	BUSHING-1.5 LONGX.750DX.51D	
6	WR126491	1	SPRING-EXTENSION	
7	WR128376	1	PLATE-SHOCK MNT,BASE,LH	
8	WR128835	1	CLAMP-BOOM PIVOT	
9	AG129192	1	BOLT-ADJUST,1-14RH,1-14LH	
10	AG129193	1	NUT-JAM,1-14 UNF,LH	
11	AG136788	1	BOOM WLDMT-TIP,BREAKAWAY,120	
12	AG136815	1	BOOM WLDMT-MID,120FT,LH	
13	AG136818	1	CAM ASM-BREAKAWAY,120FT	SEE PAGE 3-35
14	AG518500	3	BOLT,HHD,ZN .38-16X1.00 GR 8	
15	AG521690	4	WSHR-FLT,1.88X.81X.25,BLK,HARD	
16	AG550124	2	NUT 0.50-13NC HEX ZN REG	
17	AG550264	1	WASHER 0.50 LK ZN REG	
18	AG550353	1	WASHER 0.50 FL ZN REG TYPE-B	
19	AG550507	2	WASHER FL 0.25 ZN REG TYPE-B	
20	AG550698	2	BOLT 0.25-20NCX 1.00 G5 ZN HHD	
21	AG550787	2	BOLT 75-10NCX3.50 G5 ZN HHD	
22	AG556149	1	BOLT 0.50-13NCX 3.50 G5 ZN HHD	
23	AG561156	2	WASHER 0.75 FL ZN SAE TYPE A	
24	AG601152	1	NUT 0.50-13NC HEX ZN REG NY	
25	AG601411	3	NUT 0.37-16NC HEX ZN REG LK NY	
26	AG603864	2	NUT 0.75-10LGT G5 HX ZN ESNA	
27	AG604185	1	NUT 1.00-08NC HEX HVY ZN NY IN	
28	AG604216	2	NUT 0.25-20NC ZN LGT HEX NY IN	
29	6623263	1	SHOCK ABSORBER-BOOM	
30	6626401	1	BOLT-EYE	

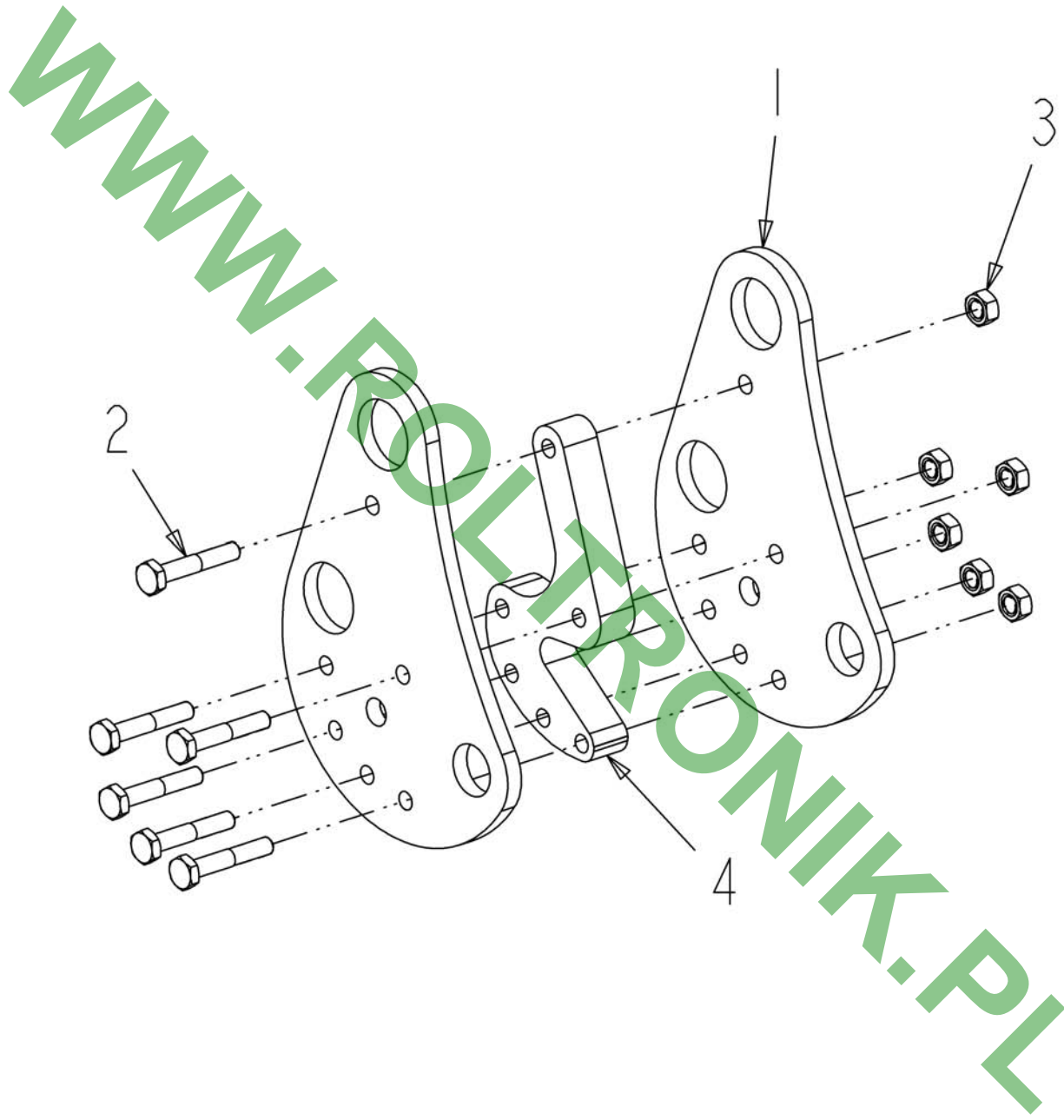


ITEM	PART #	QTY	DESCRIPTION	COMMENTS
1	AG010220	1	BOLT 1.00- 8NCX 4.00 G5 PL HHD	
2	WR34606	1	ROD-END,1-14UNF,FEMALE	
3	WR34609	1	NUT-JAM, 1-14UNF	
4	WR55197	3	WASHER-PLAIN HRD,1 ID GRADE 8	
5	WR124539	1	BUSHING-1.5 LONGX.750DX.51D	
6	WR126491	1	SPRING-EXTENSION	
7	WR128376	1	PLATE-SHOCK MNT,BASE,LH	
8	WR128835	1	CLAMP-BOOM PIVOT	
9	AG129192	1	BOLT-ADJUST,1-14RH,1-14LH	
10	AG129193	1	NUT-JAM,1-14 UNF,LH	
11	AG136788	1	BOOM WLDMT-TIP,BREAKAWAY,120	
12	AG136815	1	BOOM WLDMT-MID,120FT,LH	
13	AG136818	1	CAM ASM-BREAKAWAY,120FT	SEE PAGE 3-35
14	AG518500	3	BOLT,HHD,ZN .38-16X1.00 GR 8	
15	AG521690	4	WSHR-FLT,1.88X.81X.25,BLK,HARD	
16	AG550124	2	NUT 0.50-13NC HEX ZN REG	
17	AG550264	1	WASHER 0.50 LK ZN REG	
18	AG550353	1	WASHER 0.50 FL ZN REG TYPE-B	
19	AG550507	2	WASHER FL 0.25 ZN REG TYPE-B	
20	AG550698	2	BOLT 0.25-20NCX 1.00 G5 ZN HHD	
21	AG550787	2	BOLT.75-10NCX3.50 G5 ZN HHD	
22	AG556149	1	BOLT 0.50-13NCX 3.50 G5 ZN HHD	
23	AG561156	2	WASHER 0.75 FL ZN SAE TYPE A	
24	AG601152	1	NUT 0.50-13NC HEX ZN REG NY	
25	AG601411	3	NUT 0.37-16NC HEX ZN REG LK NY	
26	AG603864	2	NUT 0.75-10LGT G5 HX ZN ESNA	
27	AG604185	1	NUT 1.00-08NC HEX HVY ZN NY IN	
28	AG604216	2	NUT 0.25-20NC ZN LGT HEX NY IN	
29	6623263	1	SHOCK ABSORBER-BOOM	
30	6626401	1	BOLT-EYE	



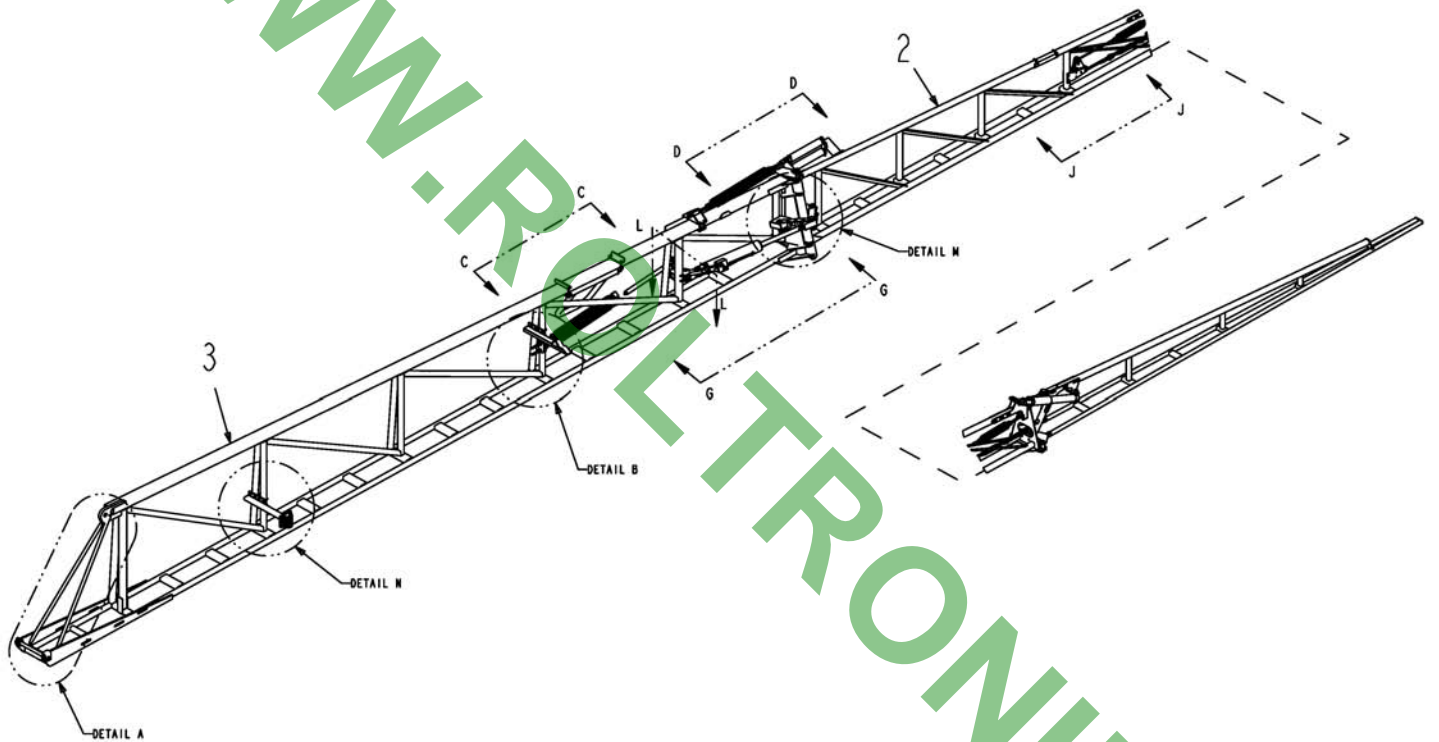
ITEM	PART #	QTY	DESCRIPTION	COMMENTS
1	WR125301	2	PIN-CABLE STOP	
2	WR125310	1	CHAIN-BOOM BRKWAY	
3	AG128842	1	CAM ASM-BOOM BRKWAY	SEE PAGE 3-36
4	AG128843	1	TURNBUCKLE-JAW,JAW,.5X6	
5	WR129194	1	LINK-CONNECTOR, 3/8	
6	WR129706	1	NUT HEX 1/2-13 UNC LH JAM PL	
7	AG136819	2	ROPE-WIRE,.31X17.18,BUTTON FTG	
8	AG550353	1	WASHER 0.50 FL ZN REG TYPE-B	
9	AG561635	1	NUT 0.50-13NC HEX ZN JAM	
10	AG601152	1	NUT 0.50-13NC HEX ZN REG NY	
11	6626401	1	BOLT-EYE	

WWW.ROLTRONIK.PL

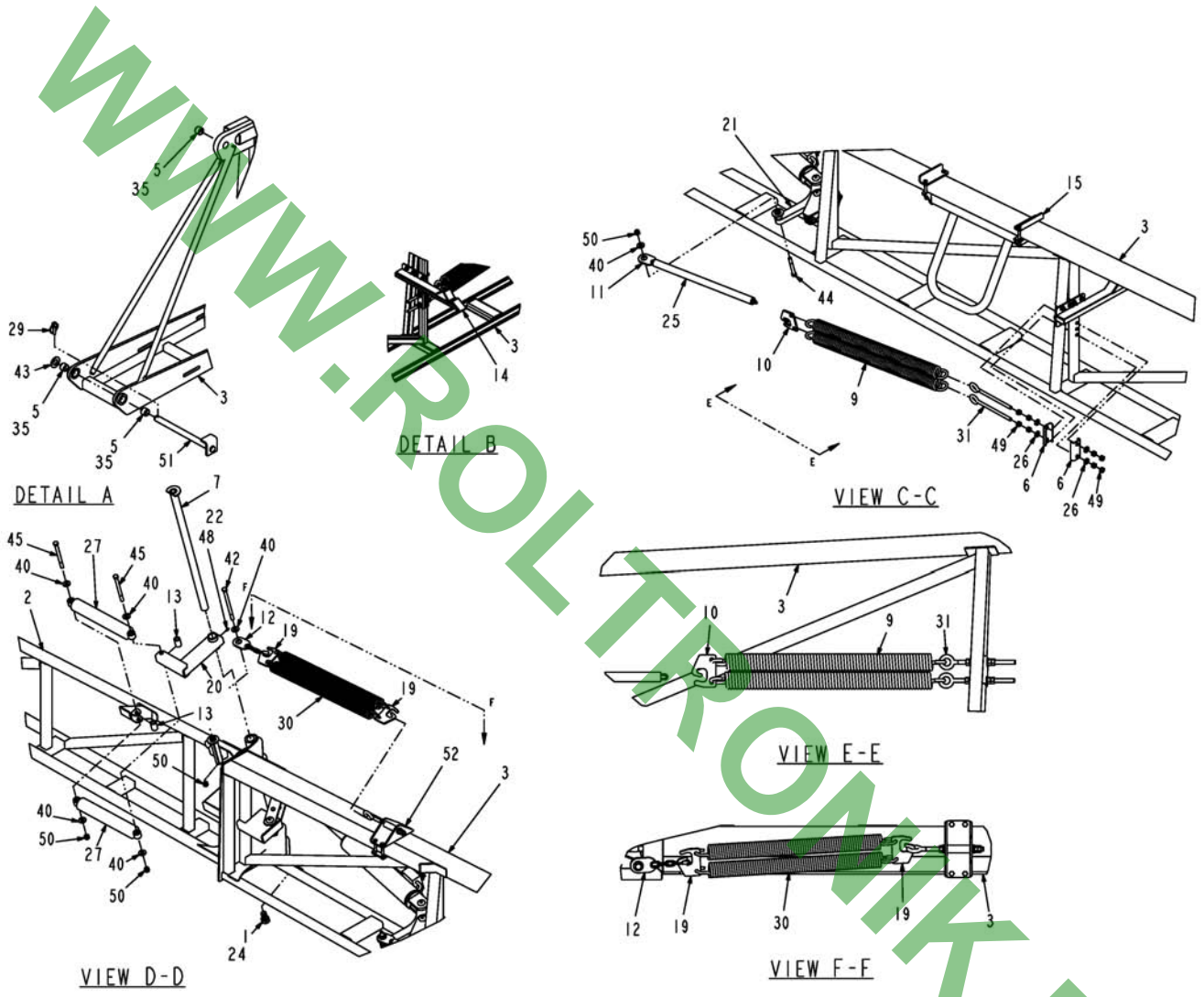


ITEM	PART #	QTY	DESCRIPTION	COMMENTS
1	WR125305	2	PLATE-CAM WALL	
2	AG550949	6	BOLT 0.25-20NCX 1.50 G5 ZN HDD	
3	AG604216	6	NUT 0.25-20NC ZN LGT HEX NY IN	
4	505516D1	1	SPACER-CAM,UHMW	

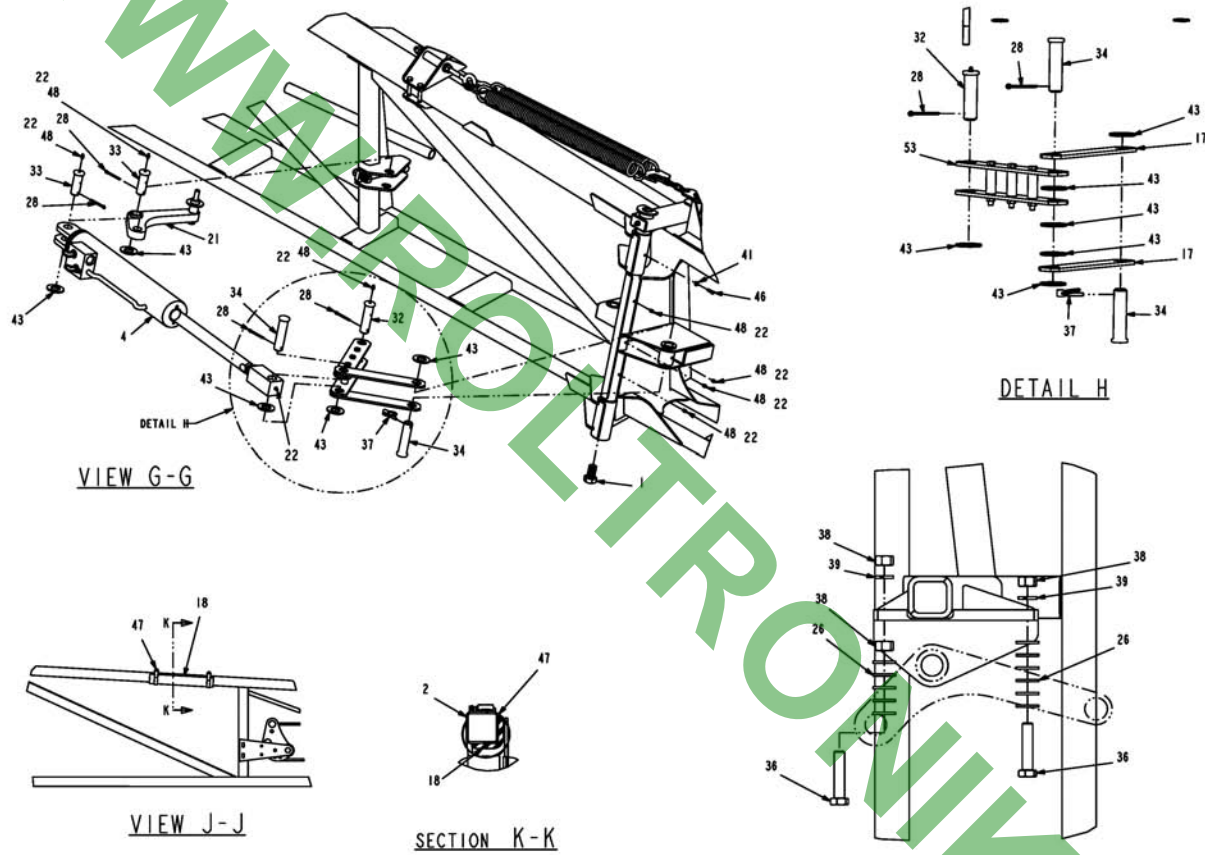
WWW.ROLTRONIK.PL



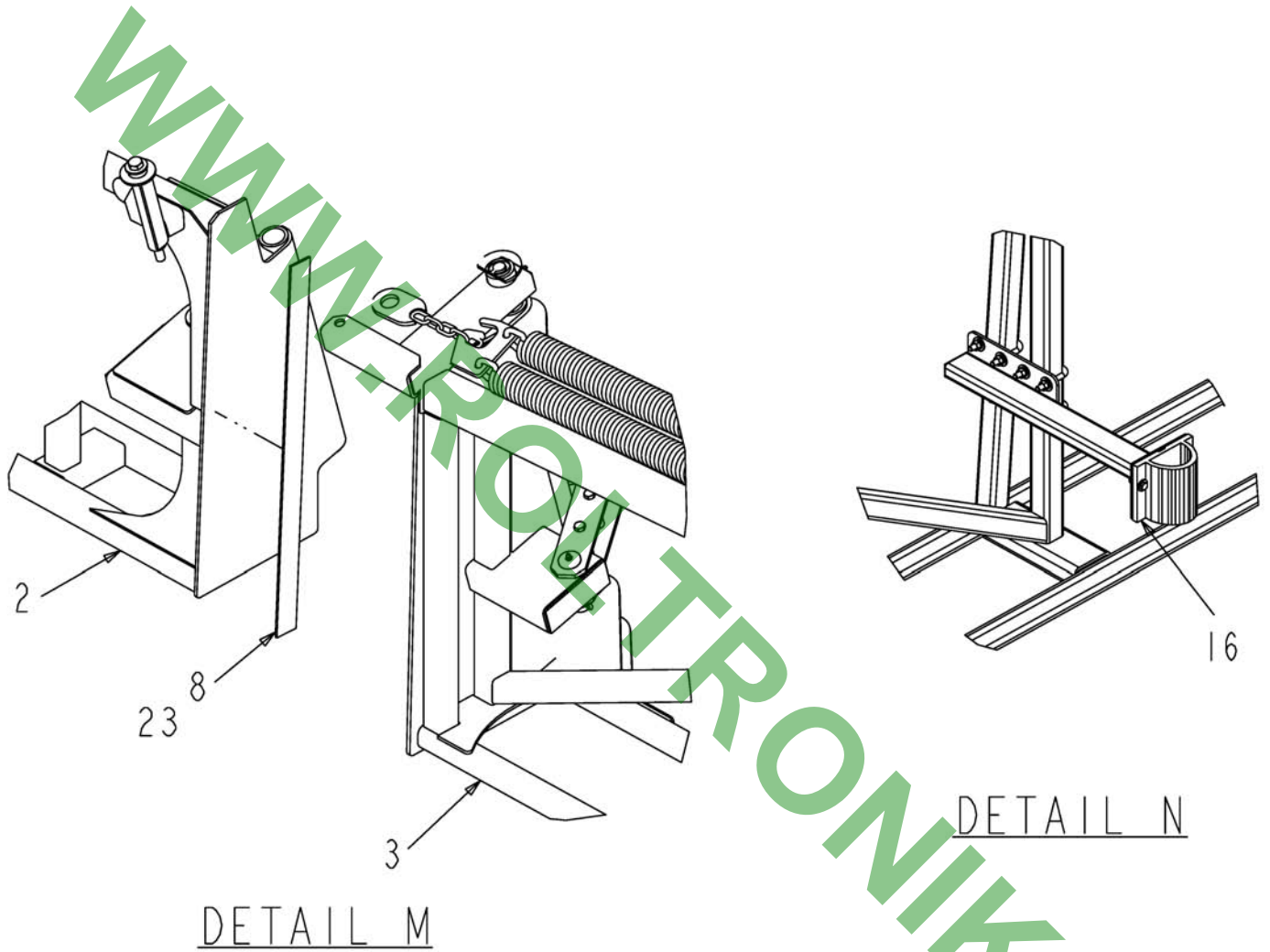
ITEM	PART #	QTY	DESCRIPTION	COMMENTS
1	AG126884	1	BOLT-.88-9 X 1.50,G5,HHCS,Z/Y	
2	AG136810	1	TIP ASM-FOLD BACK,BM,120FT,RH	SEE PAGE 3-38
3	AG136816	1	BOOM WLDMT-INNER,120,RH	
4	AG136820	1	CYLINDER ASM-FOLD BACK,BM,120	SEE PAGE 5-34
5	AG136947	3	BUSHING-1.00ID X 1.25OD X 1.00	
6	AG136966	2	PLATE-DBLR,TUBE,BOOM,DBL SPR	
7	AG136967	1	PIN WELDMNT-PIVOT,INNER/MID	
8	AG136969	1	MATTING-RBR,,.12X1.50X24.50	
9	AG136970	2	SPR-EXT,,.39WIRE,2.25ODX67COIL	
10	AG136971	1	PLATE-EYEBOLT,DBL 2.25OD SPR	
11	AG136972	1	CHAIN WLDMT-PVT PLATE,24 LINK	
12	AG136978	1	CHAIN WLDMT-PVT PLATE,5 LINK	
13	AG136979	2	TUBE-SPCR,1.00ODX.563IDX1.56	
14	AG136980	1	REST INSTL-BM,FLD BACK,120,RH	SEE PAGE 3-44
15	AG136987	1	RETAINER INSTL-BM,4.00 TUBE	SEE PAGE 3-40
16	AG136994	1	BUMPER INSTL-FOLD BACK,120,RH	SEE PAGE 3-45
17	AG230129	2	BAR LINK SHORT	
18	AG260770	1	ANGLE-WEAR,UHMW	
19	AG263036	2	PLATE-EYEBOLT	
20	AG309923	1	MOUNT SHOCK WLDMT	
21	AG309966	1	PLATE PIVOT WLDMT RH	
22	AG511099	-	GREASE-MULTI PURPOSE LITH. [BULK: 0.001 LB]	
23	AG512346	AR	ADHESIVE RUBBER	[A]
24	AG512885	AR	LOCTITE ADHESIVE SEALANT BLUE	
25	AG513679	-	HOSE-1.00 EVA,TRANSLUCENT [BULK: 1.800 FT]	
26	AG514554	15	WASHER-FL,,.50,ZN,G8,REG	
27	AG515274	2	SHOCK ABSORBER W/BOOT	[B]
28	AG515352	4	PIN COTTER 0.18X2.00 SS	
29	AG516106	1	PIN LYNCH 0.31X1.68	
30	AG517793	2	SPRING EXTENSION 2 IN ODX 25.75	
31	AG518025	2	EYEBOLT .50-13 UNC X 8.00 GALV	
32	AG522056	1	PIN-CLEVIS,1.00 X 3.62	
33	AG522057	2	PIN-CLEVIS 1.00 X 2.69	
34	AG522058	2	PIN-CLEVIS 1.00 X4.00	
35	AG522980	AR	LOCTITE-603,GREEN	
36	AG523563	2	BOLT-.50-13X2.25,G5,ZN,HHD,FT	
37	AG524255	1	PIN-LYNCH,,.25X1.56,ZN	
38	AG550124	3	NUT 0.50-13NC HEX ZN REG	
39	AG550264	2	WASHER 0.50 LK ZN REG	
40	AG550353	6	WASHER 0.50 FL ZN REG TYPE-B	
41	AG550612	1	NUT 0.25-20NC HEX ZN REG	
42	AG551546	1	BOLT.50-13NCX 7.50G5 ZN HHD(D)	
43	AG551856	9	WASHER1.00FL ZN SAE TYPE-A	
44	AG552410	1	BOLT 0.50-13NCX 4.00 G5 ZN HHD	
45	AG560286	2	BOLT 0.50-13NCX 6.00 G5 ZN HHD	
46	AG561078	1	SCREW .25-20X 0.75 SET PL CPSQ	
47	AG561218	2	CLAMP 1.31-2.25 HOSE 28HS	
48	AG561892	8	FITTING LUBE STR 0.25UNF	
49	AG562538	8	NUT 0.50-13NC HEX GALV REG OSZ	
50	AG601152	4	NUT 0.50-13NC HEX ZN REG NY	
51	506316D1	1	PIN WLDMT-BOOM,INNER	
52	506322D1	1	BRKT INSTL-MTG,ADJ,SPR,UPR	SEE PAGE 3-42
53	506334D1	1	LINKAGE ASM-CYL,HYD,INNER/MID	SEE PAGE 3-43
	FOOTNOTE [A]		AG717696 RUBBER ADHESIVE IN PINTS	
	FOOTNOTE [B]		AG609376 - BOOT ONLY	



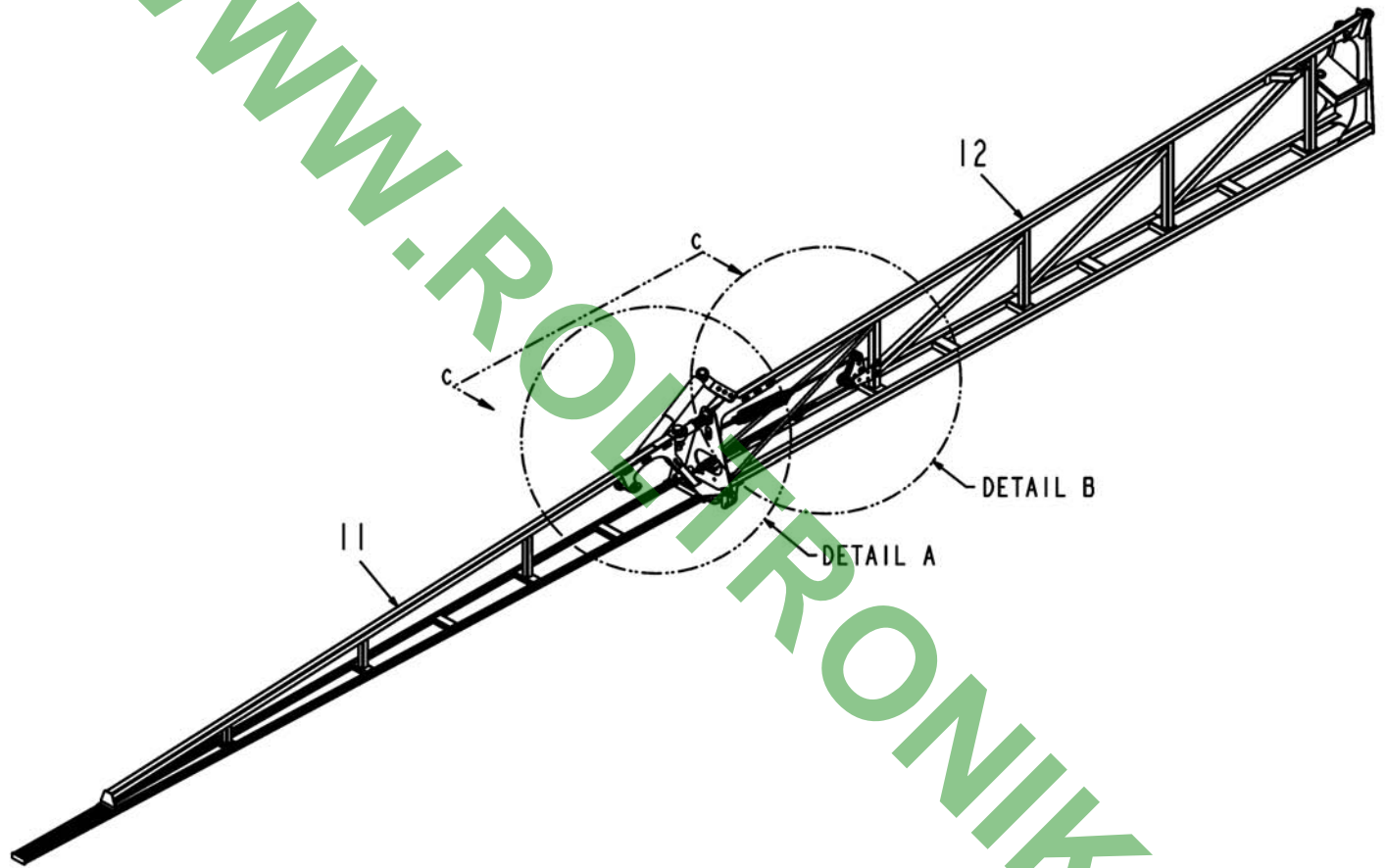
ITEM	PART #	QTY	DESCRIPTION	COMMENTS
1	AG126884	1	BOLT-.88-9 X 1.50,G5,HHCS,Z/Y	
2	AG136810	1	TIP ASM-FOLD BACK,BM,120FT,RH	SEE PAGE 3-38
3	AG136816	1	BOOM WLDMT-INNER,120,RH	
4	AG136820	1	CYLINDER ASM-FOLD BACK,BM,120	SEE PAGE 5-34
5	AG136947	3	BUSHING-1.00ID X 1.25OD X 1.00	
6	AG136966	2	PLATE-DBLR,TUBE,BOOM,DBL SPR	
7	AG136967	1	PIN WELDMENT-PIVOT,INNER/MID	
8	AG136969	1	MATTING-RBR,.12X1.50X24.50	
9	AG136970	2	SPR-EXT,.39WIRE,2.25ODX67COIL	
10	AG136971	1	PLATE-EYEBOLT,DBL 2.25OD SPR	
11	AG136972	1	CHAIN WLDMT-PVT PLATE,24 LINK	
12	AG136978	1	CHAIN WLDMT-PVT PLATE,5 LINK	
13	AG136979	2	TUBE-SPCR,1.00ODX.563IDX1.56	
14	AG136980	1	REST INSTL-BM,FLD BACK,120,RH	SEE PAGE 3-44
15	AG136987	1	RETAINER INSTL-BM,4.00 TUBE	SEE PAGE 3-40
16	AG136994	1	BUMPER INSTL-FOLD BACK,120,RH	SEE PAGE 3-45
17	AG230129	2	BAR LINK SHORT	
18	AG260770	1	ANGLE-WEAR,UHMW	
19	AG263036	2	PLATE-EYEBOLT	
20	AG309923	1	MOUNT SHOCK WLDMT	
21	AG309966	1	PLATE PIVOT WLDMT RH	
22	AG511099	-	GREASE-MULTI PURPOSE LITH. [BULK: 0.001 LB]	
23	AG512346	AR	ADHESIVE RUBBER	[A]
24	AG512885	AR	LOCTITE ADHESIVE SEALANT BLUE	
25	AG513679	-	HOSE-1.00 EVA,TRANSLUCENT [BULK: 1.800 FT]	
26	AG514554	15	WASHER-FL,.50,ZN,G8,REG	
27	AG515274	2	SHOCK ABSORBER W/BOOT	[B]
28	AG515352	4	PIN COTTER 0.18X2.00 SS	
29	AG516106	1	PIN LYNCH 0.31X1.68	
30	AG517793	2	SPRING EXTENSION 2 IN ODX 25.75	
31	AG518025	2	EYEBOLT .50-13 UNC X 8.00 GALV	
32	AG522056	1	PIN-CLEVIS,1.00 X 3.62	
33	AG522057	2	PIN-CLEVIS 1.00 X 2.69	
34	AG522058	2	PIN-CLEVIS 1.00 X4.00	
35	AG522980	AR	LOCTITE-603,GREEN	
36	AG523563	2	BOLT-.50-13X2.25,G5,ZN,HHD,FT	
37	AG524255	1	PIN-LYNCH,.25X1.56,ZN	
38	AG550124	3	NUT 0.50-13NC HEX ZN REG	
39	AG550264	2	WASHER 0.50 LK ZN REG	
40	AG550353	6	WASHER 0.50 FL ZN REG TYPE-B	
41	AG550612	1	NUT 0.25-20NC HEX ZN REG	
42	AG551546	1	BOLT.50-13NCX 7.50G5 ZN HHD(D)	
43	AG551856	9	WASHER1.00FL ZN SAE TYPE-A	
44	AG552410	1	BOLT 0.50-13NCX 4.00 G5 ZN HHD	
45	AG560286	2	BOLT 0.50-13NCX 6.00 G5 ZN HHD	
46	AG561078	1	SCREW .25-20X 0.75 SET PL CPSQ	
47	AG561218	2	CLAMP 1.31-2.25 HOSE 28HS	
48	AG561892	8	FITTING LUBE STR 0.25UNF	
49	AG562538	8	NUT 0.50-13NC HEX GALV REG OSZ	
50	AG601152	4	NUT 0.50-13NC HEX ZN REG NY	
51	506316D1	1	PIN WLDMT-BOOM,INNER	
52	506322D1	1	BRKT INSTL-MTG,ADJ,SPR,UPR	SEE PAGE 3-42
53	506334D1	1	LINKAGE ASM-CYL,HYD,INNER/MID	SEE PAGE 3-43
	FOOTNOTE [A]		AG717696 RUBBER ADHESIVE IN PINTS	
	FOOTNOTE [B]		AG609376 - BOOT ONLY	



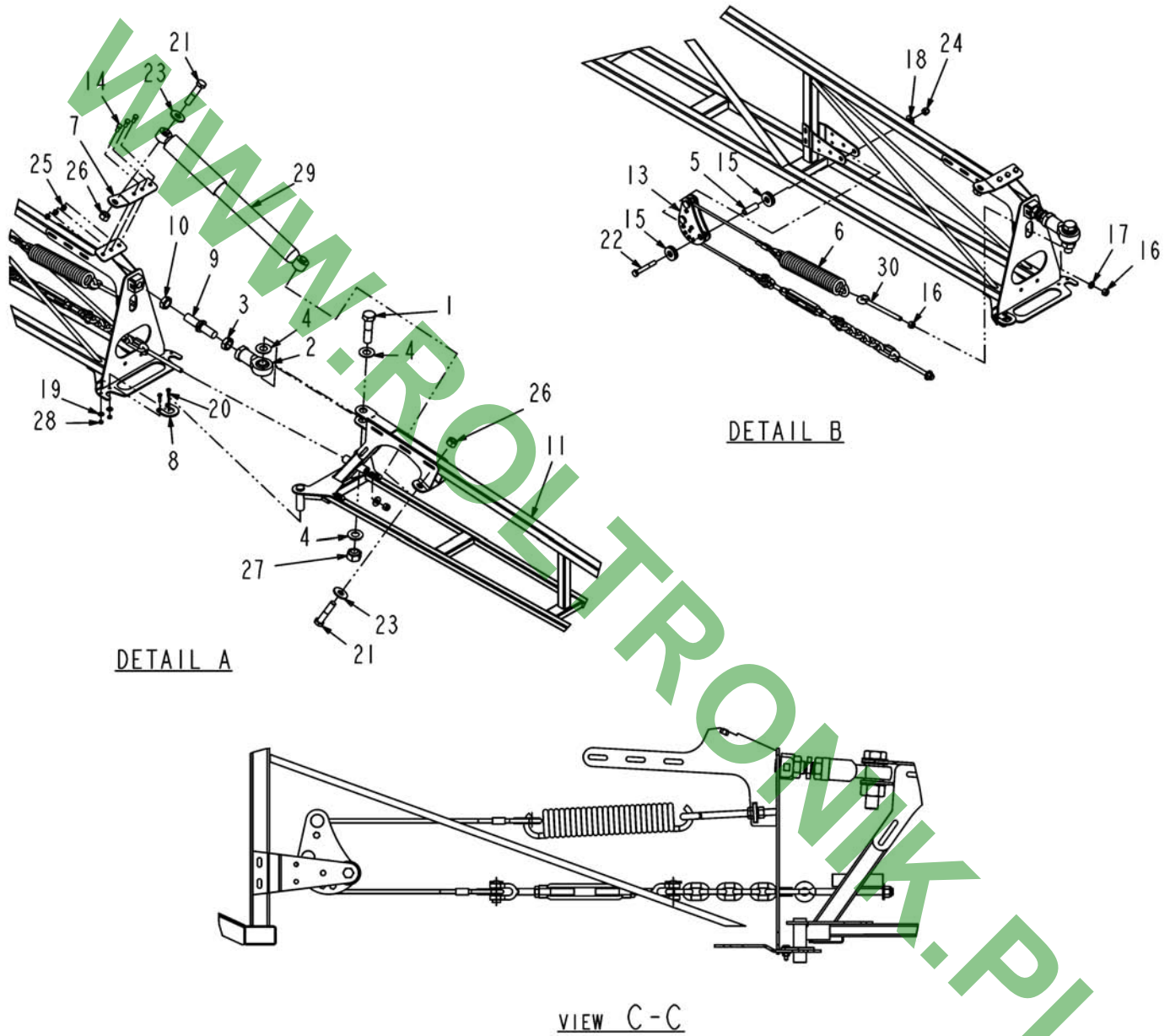
ITEM	PART #	QTY	DESCRIPTION	COMMENTS
1	AG126884	1	BOLT-.88-9 X 1.50,G5,HHCS,Z/Y	
2	AG136810	1	TIP ASM-FOLD BACK,BM,120FT,RH	SEE PAGE 3-38
3	AG136816	1	BOOM WLDMT-INNER,120,RH	
4	AG136820	1	CYLINDER ASM-FOLD BACK,BM,120	SEE PAGE 5-34
5	AG136947	3	BUSHING-1.00ID X 1.25OD X 1.00	
6	AG136966	2	PLATE-DBLR,TUBE,BOOM,DBL SPR	
7	AG136967	1	PIN WELDMNT-PIVOT,INNER/MID	
8	AG136969	1	MATTING-RBR,,.12X1.50X24.50	
9	AG136970	2	SPR-EXT,,.39WIRE,2.25ODX67COIL	
10	AG136971	1	PLATE-EYEBOLT,DBL 2.25OD SPR	
11	AG136972	1	CHAIN WLDMT-PVT PLATE,24 LINK	
12	AG136978	1	CHAIN WLDMT-PVT PLATE,5 LINK	
13	AG136979	2	TUBE-SPCR,1.00ODX.563IDX1.56	
14	AG136980	1	REST INSTL-BM,FLD BACK,120,RH	SEE PAGE 3-44
15	AG136987	1	RETAINER INSTL-BM,4.00 TUBE	SEE PAGE 3-40
16	AG136994	1	BUMPER INSTL-FOLD BACK,120,RH	SEE PAGE 3-45
17	AG230129	2	BAR LINK SHORT	
18	AG260770	1	ANGLE-WEAR,UHMW	
19	AG263036	2	PLATE-EYEBOLT	
20	AG309923	1	MOUNT SHOCK WLDMT	
21	AG309966	1	PLATE PIVOT WLDMT RH	
22	AG511099	-	GREASE-MULTI PURPOSE LITH. [BULK: 0.001 LB]	
23	AG512346	AR	ADHESIVE RUBBER	[A]
24	AG512885	AR	LOCTITE ADHESIVE SEALANT BLUE	
25	AG513679	-	HOSE-1.00 EVA,TRANSLUCENT [BULK: 1.800 FT]	
26	AG514554	15	WASHER-FL,,.50,ZN,G8,REG	
27	AG515274	2	SHOCK ABSORBER W/BOOT	[B]
28	AG515352	4	PIN COTTER 0.18X2.00 SS	
29	AG516106	1	PIN LYNCH 0.31X1.68	
30	AG517793	2	SPRING EXTENSION 2 IN ODX 25.75	
31	AG518025	2	EYEBOLT .50-13 UNC X 8.00 GALV	
32	AG522056	1	PIN-CLEVIS,1.00 X 3.62	
33	AG522057	2	PIN-CLEVIS 1.00 X 2.69	
34	AG522058	2	PIN-CLEVIS 1.00 X4.00	
35	AG522980	AR	LOCTITE-603,GREEN	
36	AG523563	2	BOLT-.50-13X2.25,G5,ZN,HHD,FT	
37	AG524255	1	PIN-LYNCH,,.25X1.56,ZN	
38	AG550124	3	NUT 0.50-13NC HEX ZN REG	
39	AG550264	2	WASHER 0.50 LK ZN REG	
40	AG550353	6	WASHER 0.50 FL ZN REG TYPE-B	
41	AG550612	1	NUT 0.25-20NC HEX ZN REG	
42	AG551546	1	BOLT.50-13NCX 7.50G5 ZN HHD(D)	
43	AG551856	9	WASHER1.00FL ZN SAE TYPE-A	
44	AG552410	1	BOLT 0.50-13NCX 4.00 G5 ZN HHD	
45	AG560286	2	BOLT 0.50-13NCX 6.00 G5 ZN HHD	
46	AG561078	1	SCREW .25-20X 0.75 SET PL CPSQ	
47	AG561218	2	CLAMP 1.31-2.25 HOSE 28HS	
48	AG561892	8	FITTING LUBE STR 0.25UNF	
49	AG562538	8	NUT 0.50-13NC HEX GALV REG OSZ	
50	AG601152	4	NUT 0.50-13NC HEX ZN REG NY	
51	506316D1	1	PIN WLDMT-BOOM,INNER	
52	506322D1	1	BRKT INSTL-MTG,ADJ,SPR,UPR	SEE PAGE 3-42
53	506334D1	1	LINKAGE ASM-CYL,HYD,INNER/MID	SEE PAGE 3-43
	FOOTNOTE [A]		AG717696 RUBBER ADHESIVE IN PINTS	
	FOOTNOTE [B]		AG609376 - BOOT ONLY	



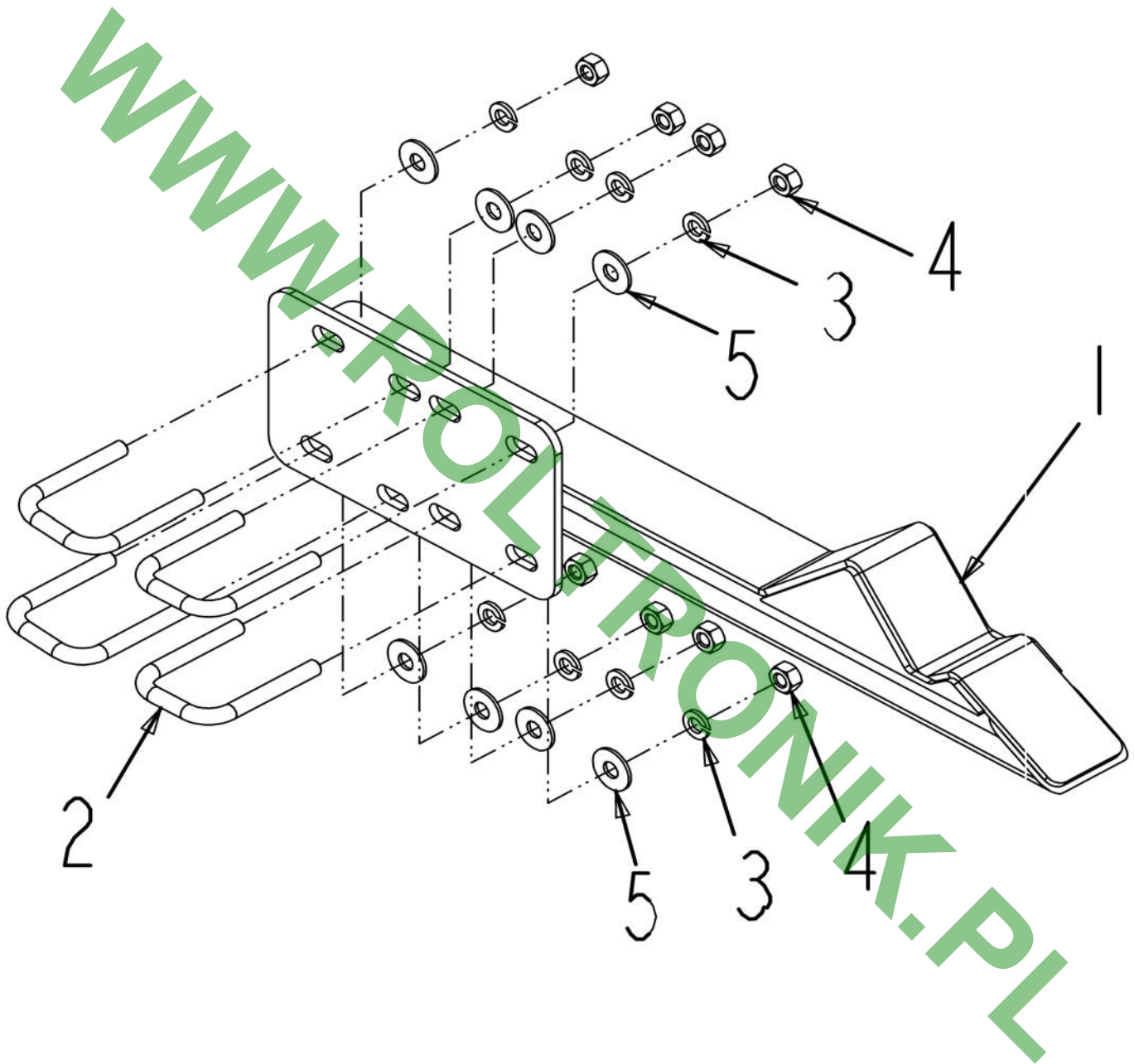
ITEM	PART #	QTY	DESCRIPTION	COMMENTS
1	AG126884	1	BOLT-.88-9 X 1.50,G5,HHCS,Z/Y	
2	AG136810	1	TIP ASM-FOLD BACK,BM,120FT,RH	SEE PAGE 3-38
3	AG136816	1	BOOM WLDMT-INNER,120,RH	
4	AG136820	1	CYLINDER ASM-FOLD BACK,BM,120	SEE PAGE 5-34
5	AG136947	3	BUSHING-1.00ID X 1.25OD X 1.00	
6	AG136966	2	PLATE-DBLR,TUBE,BOOM,DBL SPR	
7	AG136967	1	PIN WELDMNT-PIVOT,INNER/MID	
8	AG136969	1	MATTING-RBR,,.12X1.50X24.50	
9	AG136970	2	SPR-EXT,,.39WIRE,2.25ODX67COIL	
10	AG136971	1	PLATE-EYEBOLT,DBL 2.25OD SPR	
11	AG136972	1	CHAIN WLDMT-PVT PLATE,24 LINK	
12	AG136978	1	CHAIN WLDMT-PVT PLATE,5 LINK	
13	AG136979	2	TUBE-SPCR,1.00ODX.563IDX1.56	
14	AG136980	1	REST INSTL-BM,FLD BACK,120,RH	SEE PAGE 3-44
15	AG136987	1	RETAINER INSTL-BM,4.00 TUBE	SEE PAGE 3-40
16	AG136994	1	BUMPER INSTL-FOLD BACK,120,RH	SEE PAGE 3-45
17	AG230129	2	BAR LINK SHORT	
18	AG260770	1	ANGLE-WEAR,UHMW	
19	AG263036	2	PLATE-EYEBOLT	
20	AG309923	1	MOUNT SHOCK WLDMT	
21	AG309966	1	PLATE PIVOT WLDMT RH	
22	AG511099	-	GREASE-MULTI PURPOSE LITH. [BULK: 0.001 LB]	
23	AG512346	AR	ADHESIVE RUBBER	[A]
24	AG512885	AR	LOCTITE ADHESIVE SEALANT BLUE	
25	AG513679	-	HOSE-1.00 EVA,TRANSLUCENT [BULK: 1.800 FT]	
26	AG514554	15	WASHER-FL,,.50,ZN,G8,REG	
27	AG515274	2	SHOCK ABSORBER W/BOOT	[B]
28	AG515352	4	PIN COTTER 0.18X2.00 SS	
29	AG516106	1	PIN LYNCH 0.31X1.68	
30	AG517793	2	SPRING EXTENSION 2 IN ODX 25.75	
31	AG518025	2	EYEBOLT .50-13 UNC X 8.00 GALV	
32	AG522056	1	PIN-CLEVIS,1.00 X 3.62	
33	AG522057	2	PIN-CLEVIS 1.00 X 2.69	
34	AG522058	2	PIN-CLEVIS 1.00 X4.00	
35	AG522980	AR	LOCTITE-603,GREEN	
36	AG523563	2	BOLT-.50-13X2.25,G5,ZN,HHD,FT	
37	AG524255	1	PIN-LYNCH,,.25X1.56,ZN	
38	AG550124	3	NUT 0.50-13NC HEX ZN REG	
39	AG550264	2	WASHER 0.50 LK ZN REG	
40	AG550353	6	WASHER 0.50 FL ZN REG TYPE-B	
41	AG550612	1	NUT 0.25-20NC HEX ZN REG	
42	AG551546	1	BOLT.50-13NCX 7.50G5 ZN HHD(D)	
43	AG551856	9	WASHER1.00FL ZN SAE TYPE-A	
44	AG552410	1	BOLT 0.50-13NCX 4.00 G5 ZN HHD	
45	AG560286	2	BOLT 0.50-13NCX 6.00 G5 ZN HHD	
46	AG561078	1	SCREW .25-20X 0.75 SET PL CPSQ	
47	AG561218	2	CLAMP 1.31-2.25 HOSE 28HS	
48	AG561892	8	FITTING LUBE STR 0.25UNF	
49	AG562538	8	NUT 0.50-13NC HEX GALV REG OSZ	
50	AG601152	4	NUT 0.50-13NC HEX ZN REG NY	
51	506316D1	1	PIN WLDMT-BOOM,INNER	
52	506322D1	1	BRKT INSTL-MTG,ADJ,SPR,UPR	SEE PAGE 3-42
53	506334D1	1	LINKAGE ASM-CYL,HYD,INNER/MID	SEE PAGE 3-43
	FOOTNOTE [A]		AG717696 RUBBER ADHESIVE IN PINTS	
	FOOTNOTE [B]		AG609376 - BOOT ONLY	



ITEM	PART #	QTY	DESCRIPTION	COMMENTS
1	AG010220	1	BOLT 1.00- 8NCX 4.00 G5 PL HHD	
2	WR34606	1	ROD-END,1-14UNF,FEMALE	
3	WR34609	1	NUT-JAM, 1-14UNF	
4	WR55197	3	WASHER-PLAIN HRD,1 ID GRADE 8	
5	WR124539	1	BUSHING-1.5 LONGX.750DX.51D	
6	WR126491	1	SPRING-EXTENSION	
7	WR128375	1	PLATE-SHOCK MNT,BASE,RH	
8	WR128835	1	CLAMP-BOOM PIVOT	
9	AG129192	1	BOLT-ADJUST,1-14RH,1-14LH	
10	AG129193	1	NUT-JAM,1-14 UNF,LH	
11	AG136788	1	BOOM WLDMT-TIP,BREAKAWAY,120	
12	AG136814	1	BOOM WLDMT-MID,120FT,RH	
13	AG136818	1	CAM ASM-BREAKAWAY,120FT	SEE PAGE 3-35
14	AG518500	3	BOLT,HHD,ZN .38-16X1.00 GR 8	
15	AG521690	4	WSHR-FLT,1.88X.81X.25,BLK,HARD	
16	AG550124	2	NUT 0.50-13NC HEX ZN REG	
17	AG550264	1	WASHER 0.50 LK ZN REG	
18	AG550353	1	WASHER 0.50 FL ZN REG TYPE-B	
19	AG550507	2	WASHER FL 0.25 ZN REG TYPE-B	
20	AG550698	2	BOLT 0.25-20NCX 1.00 G5 ZN HHD	
21	AG550787	2	BOLT 75-10NCX3.50 G5 ZN HHD	
22	AG556149	1	BOLT 0.50-13NCX 3.50 G5 ZN HHD	
23	AG561156	2	WASHER 0.75 FL ZN SAE TYPE A	
24	AG601152	1	NUT 0.50-13NC HEX ZN REG NY	
25	AG601411	3	NUT 0.37-16NC HEX ZN REG LK NY	
26	AG603864	2	NUT 0.75-10LGT G5 HX ZN ESNA	
27	AG604185	1	NUT 1.00-08NC HEX HVY ZN NY IN	
28	AG604216	2	NUT 0.25-20NC ZN LGT HEX NY IN	
29	6623263	1	SHOCK ABSORBER-BOOM	
30	6626401	1	BOLT-EYE	

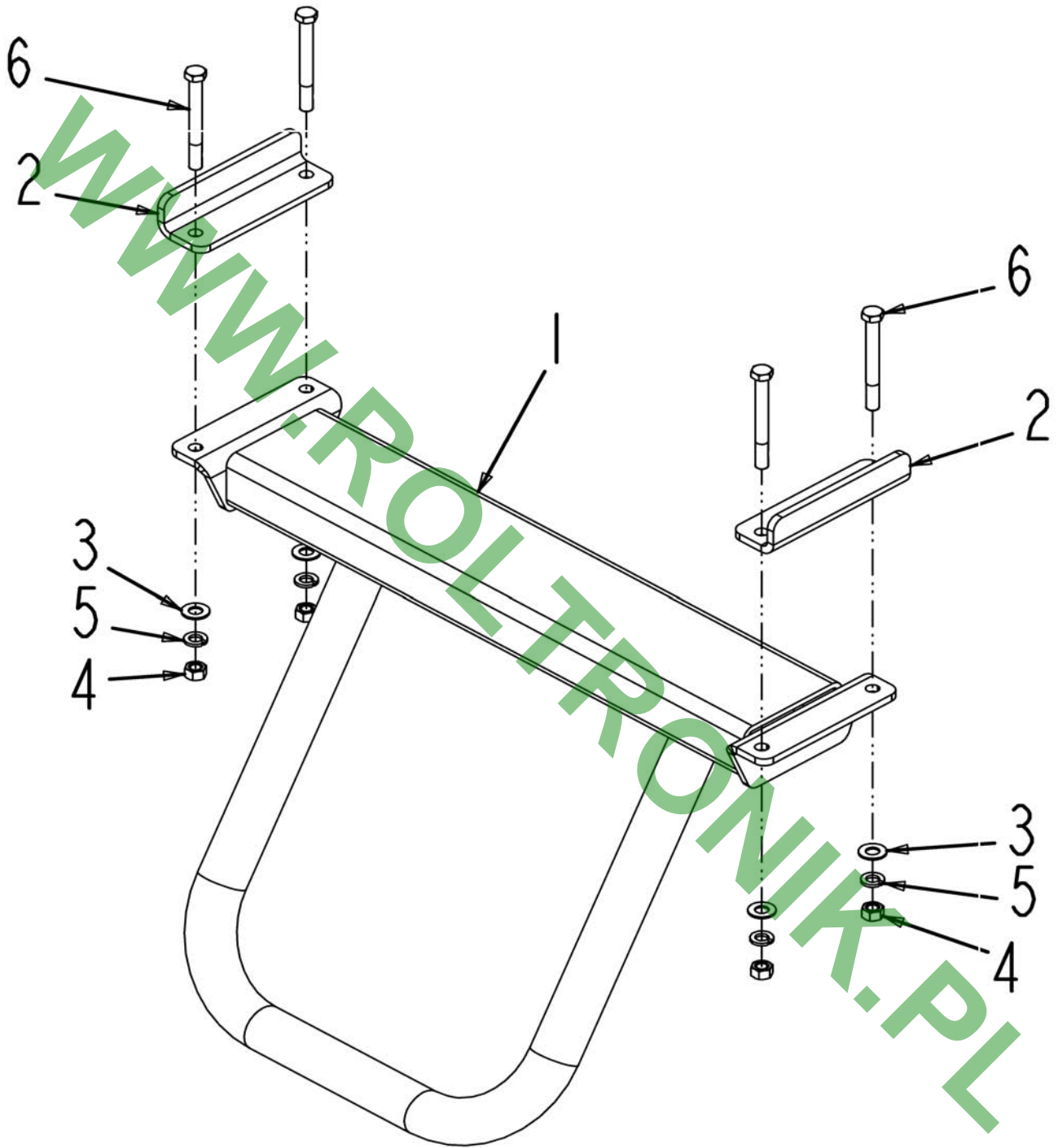


ITEM	PART #	QTY	DESCRIPTION	COMMENTS
1	AG010220	1	BOLT 1.00- 8NCX 4.00 G5 PL HHD	
2	WR34606	1	ROD-END,1-14UNF,FEMALE	
3	WR34609	1	NUT-JAM, 1-14UNF	
4	WR55197	3	WASHER-PLAIN HRD,1 ID GRADE 8	
5	WR124539	1	BUSHING-1.5 LONGX.750DX.51D	
6	WR126491	1	SPRING-EXTENSION	
7	WR128375	1	PLATE-SHOCK MNT,BASE,RH	
8	WR128835	1	CLAMP-BOOM PIVOT	
9	AG129192	1	BOLT-ADJUST,1-14RH,1-14LH	
10	AG129193	1	NUT-JAM,1-14 UNF,LH	
11	AG136788	1	BOOM WLDMT-TIP,BREAKAWAY,120	
12	AG136814	1	BOOM WLDMT-MID,120FT,RH	
13	AG136818	1	CAM ASM-BREAKAWAY,120FT	SEE PAGE 3-35
14	AG518500	3	BOLT,HHD,ZN .38-16X1.00 GR 8	
15	AG521690	4	WSHR-FLT,1.88X.81X.25,BLK,HARD	
16	AG550124	2	NUT 0.50-13NC HEX ZN REG	
17	AG550264	1	WASHER 0.50 LK ZN REG	
18	AG550353	1	WASHER 0.50 FL ZN REG TYPE-B	
19	AG550507	2	WASHER FL 0.25 ZN REG TYPE-B	
20	AG550698	2	BOLT 0.25-20NCX 1.00 G5 ZN HHD	
21	AG550787	2	BOLT.75-10NCX3.50 G5 ZN HHD	
22	AG556149	1	BOLT 0.50-13NCX 3.50 G5 ZN HHD	
23	AG561156	2	WASHER 0.75 FL ZN SAE TYPE A	
24	AG601152	1	NUT 0.50-13NC HEX ZN REG NY	
25	AG601411	3	NUT 0.37-16NC HEX ZN REG LK NY	
26	AG603864	2	NUT 0.75-10LGT G5 HX ZN ESNA	
27	AG604185	1	NUT 1.00-08NC HEX HVY ZN NY IN	
28	AG604216	2	NUT 0.25-20NC ZN LGT HEX NY IN	
29	6623263	1	SHOCK ABSORBER-BOOM	
30	6626401	1	BOLT-EYE	



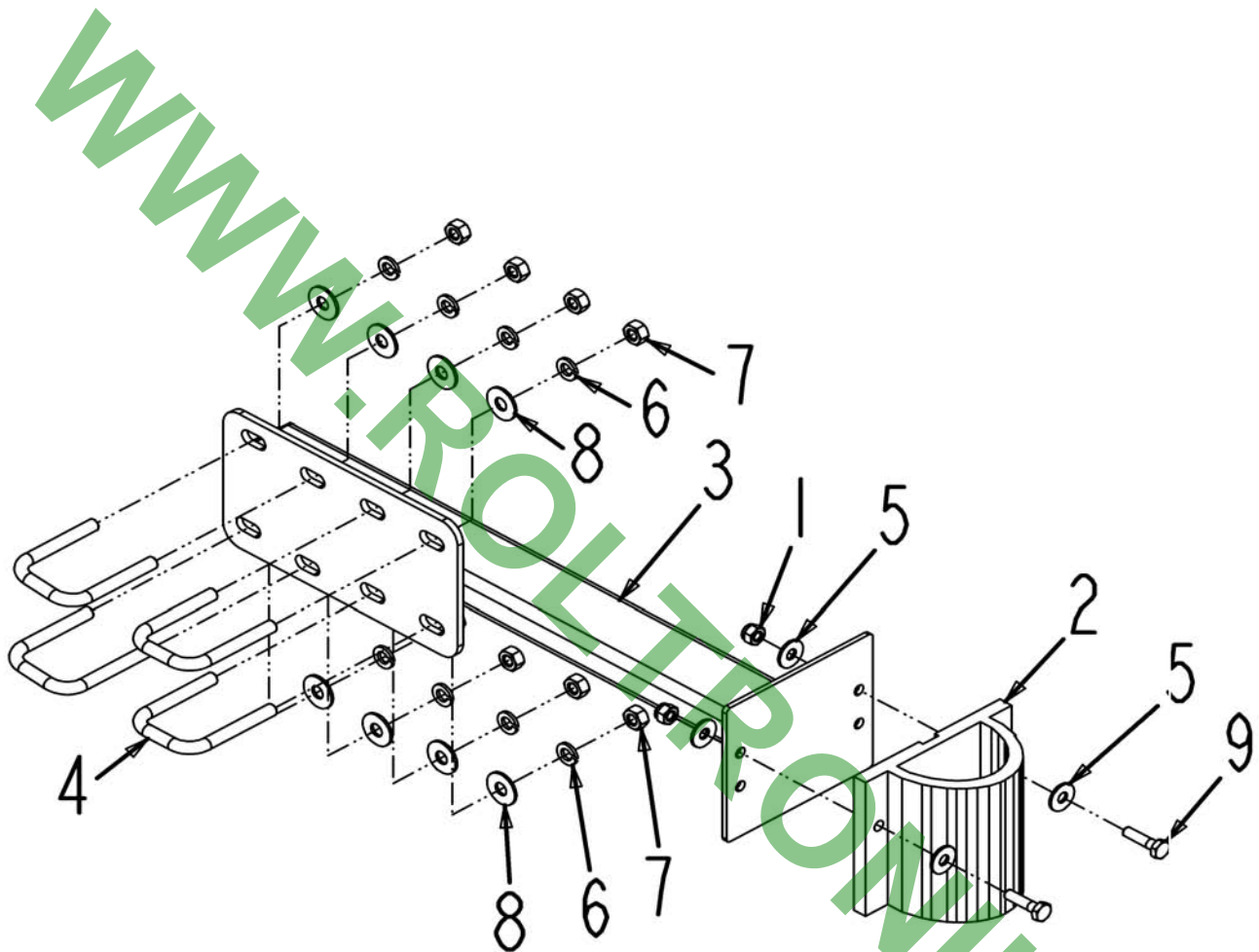
ITEM	PART #	QTY	DESCRIPTION	COMMENTS
1	AG136983	1	REST WLDMT-BM,FLD BACK,120,LH	
2	AG209384	4	BOLT-U .31-18X1.56X 2.46SQG5ZN	
3	AG550205	8	WASHER LK 0.31 ZN REG	
4	AG550213	8	NUT 0.31-18NC HEX ZN REG	
5	AG551015	8	WASHER 0.31 FL ZN REG TYPE-B	

WWW.ROLTRONIK.PL



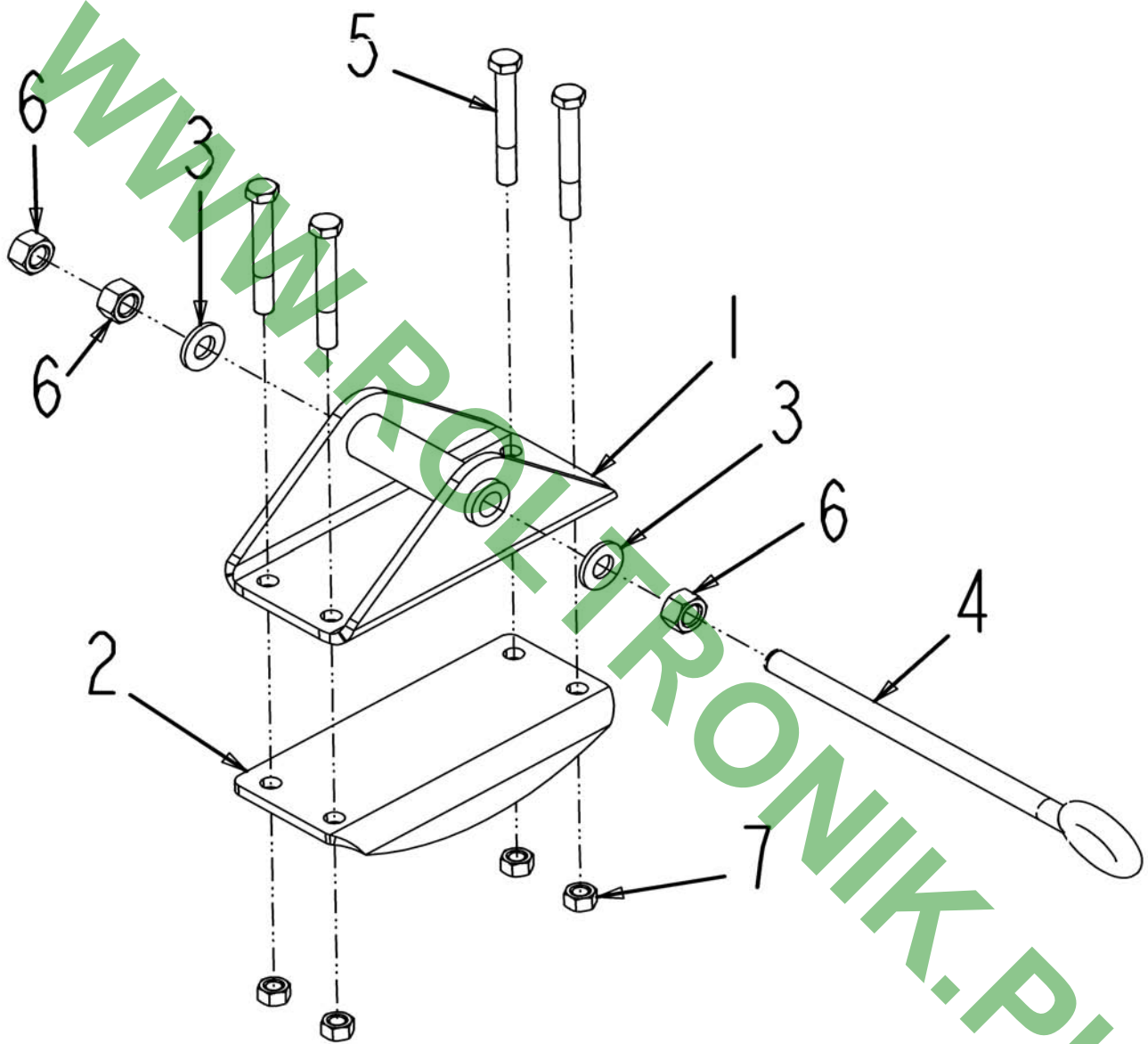
ITEM	PART #	QTY	DESCRIPTION	COMMENTS
1	AG136988	1	RETAINER WLDMT-BM,4.00 TUBE	
2	AG136992	2	PLATE-MTG,BM RTNR,4.00 TUBE	
3	AG514559	4	WASHER 0.37 FL ZN SAE G8	
4	AG523259	4	NUT-.37-16,G8,ZN,H	
5	AG550191	4	WASHER LK 0.37 ZN REG	
5	AG560456	4	BOLT 0.37-16NCX 3.50 G8 ZN HDD	

WWW.ROLTRONIK.PL



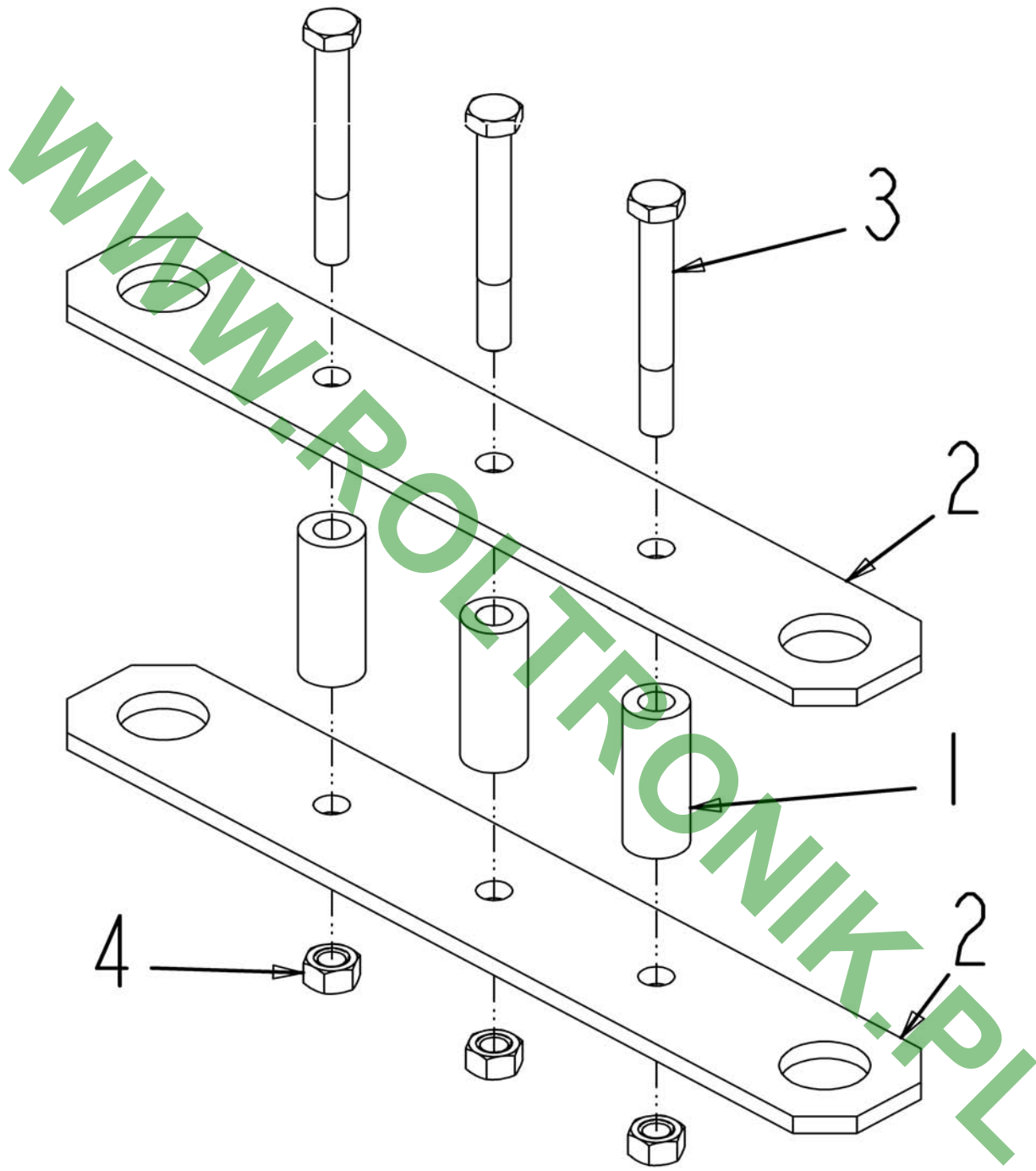
ITEM	PART #	QTY	DESCRIPTION	COMMENTS
1	AG027275	2	NUT,NY-LOCK 1/4-20 SS HX (P)	
2	AG109953	1	BUMPER-BOOM RACK	
3	AG136995	1	BUMPER WLDMT-FOLD BACK,120,LH	
4	AG209384	4	BOLT-U .31-18X1.56X 2.46SQG5ZN	
5	AG515121	4	WASHER 0.25 FL SS REG	
6	AG550205	8	WASHER LK 0.31 ZN REG	
7	AG550213	8	NUT 0.31-18NC HEX ZN REG	
8	AG551015	8	WASHER 0.31 FL ZN REG TYPE-B	
9	AG562064	2	BOLT 0.25-20NCX 1.00 S.S. HDD	[A]
	FOOTNOTE [A]		STAINLESS STEEL	

WWW.ROLTRONIK.PL



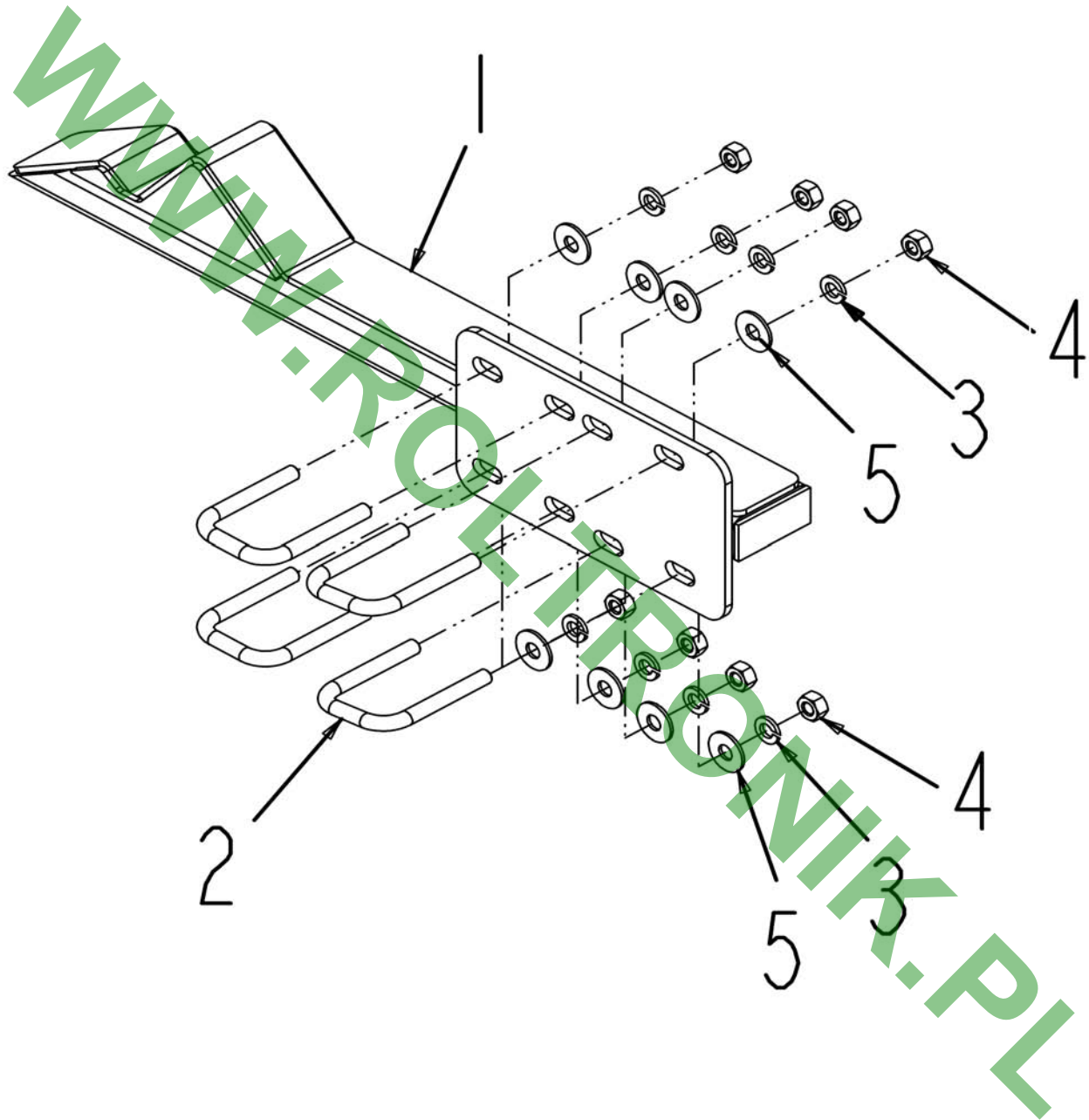
ITEM	PART #	QTY	DESCRIPTION	COMMENTS
1	AG136974	1	PLATE WLDMT-MTG,SPR,UPR	
2	AG136977	1	PLATE-MTG,SPR,LWR	
3	AG514554	2	WASHER-FL,.50,ZN,G8,REG	
4	AG518025	1	EYEBOLT .50-13 UNC X 8.00 GALV	
5	AG561072	4	BOLT 0.37-16NCX 3.00 G5 ZN HHD	
6	AG562538	3	NUT 0.50-13NC HEX GALV REG OSZ	
7	AG601411	4	NUT 0.37-16NC HEX ZN REG LK NY	

WWW.ROLTRONIK.PL



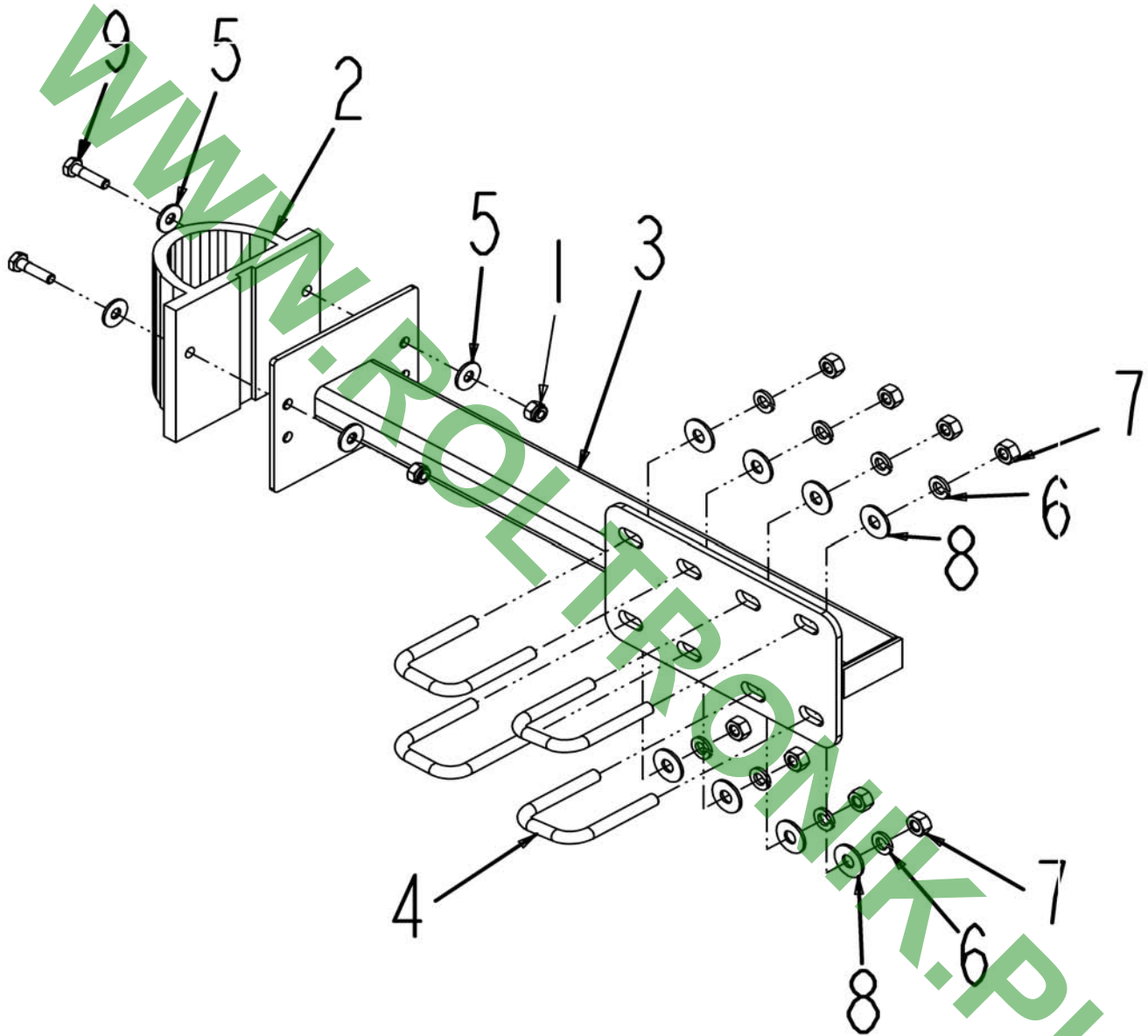
ITEM	PART #	QTY	DESCRIPTION	COMMENTS
1	AG230312	3	TUBE SPACER LINK	
2	AG262985	2	LINK-LONG	
3	AG551058	3	BOLT 0.37-16NCX 3.25 G5 ZN HDD	
4	AG601411	3	NUT 0.37-16NC HEX ZN REG LK NY	

WWW.ROLTRONIK.PL



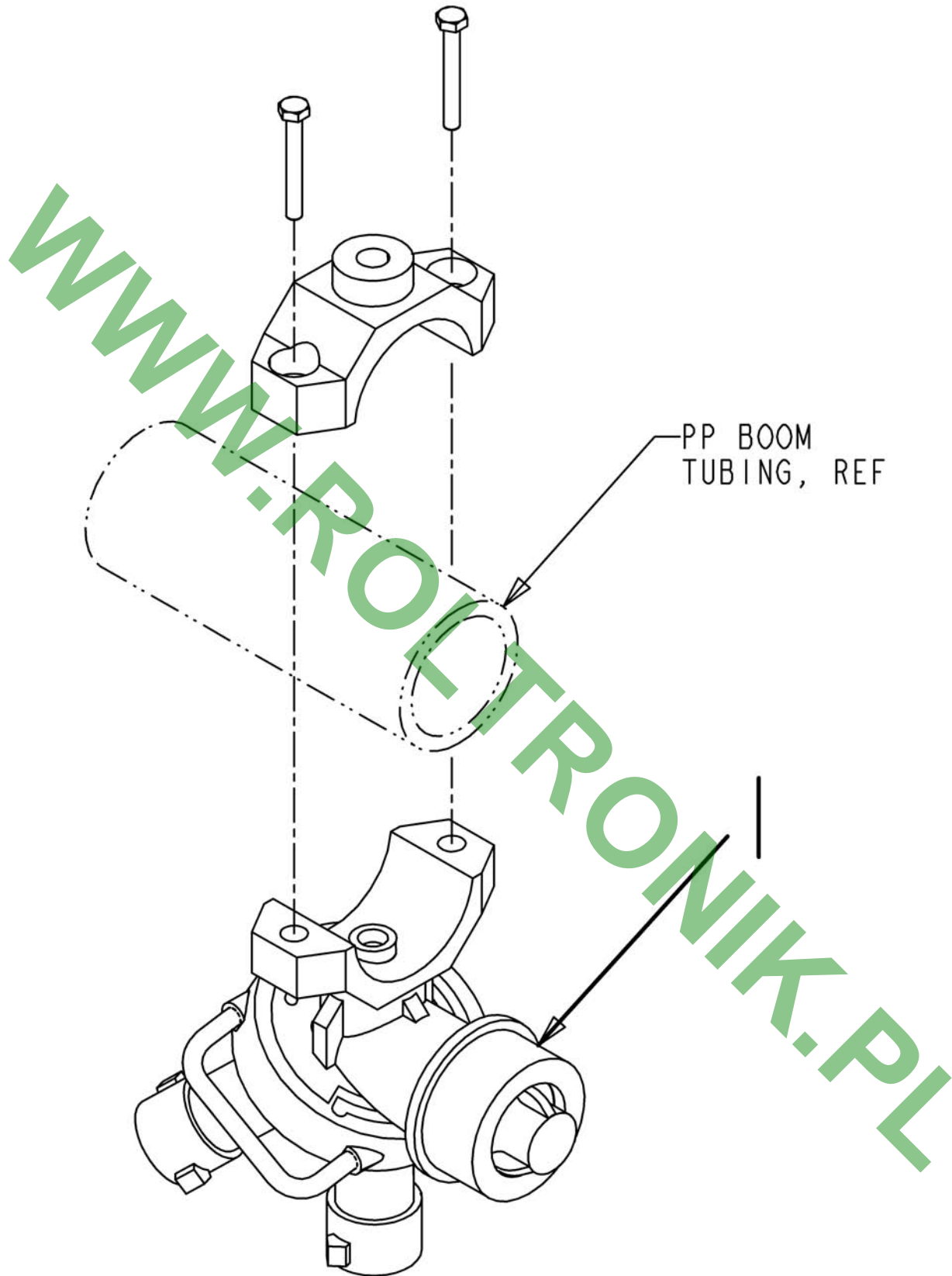
ITEM	PART #	QTY	DESCRIPTION	COMMENTS
1	AG136982	1	REST WLDMT-BM,FLD BACK,120,RH	
2	AG209384	4	BOLT-U .31-18X1.56X 2.46SQG5ZN	
3	AG550205	8	WASHER LK 0.31 ZN REG	
4	AG550213	8	NUT 0.31-18NC HEX ZN REG	
5	AG551015	8	WASHER 0.31 FL ZN REG TYPE-B	

WWW.ROLTRONIK.PL



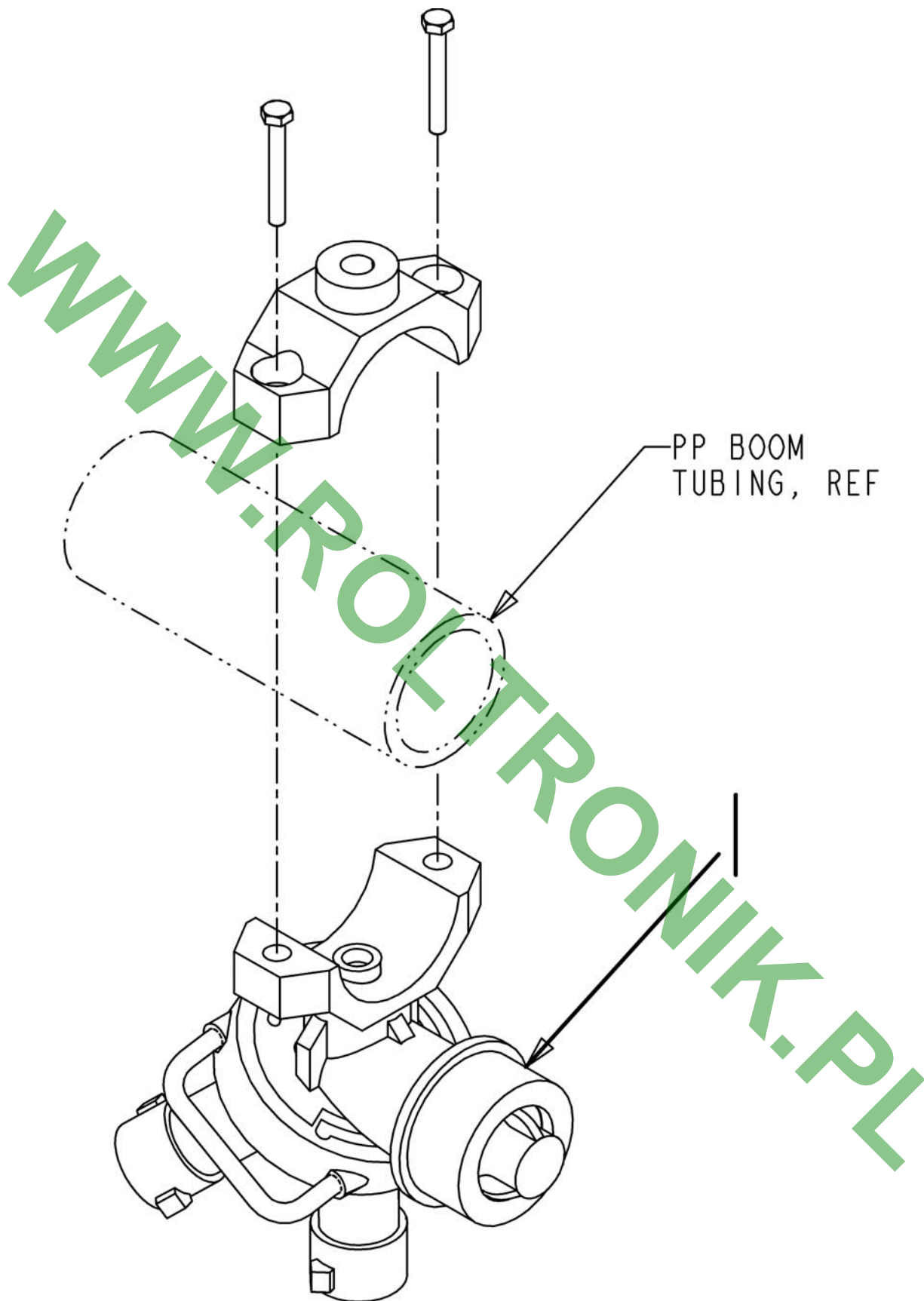
ITEM	PART #	QTY	DESCRIPTION	COMMENTS
1	AG027275	2	NUT,NY-LOCK 1/4-20 SS HX (P)	
2	AG109953	1	BUMPER-BOOM RACK	
3	AG136996	1	BUMPER WLDMT-FOLD BACK,120,RH	
4	AG209384	4	BOLT-U .31-18X1.56X 2.46SQG5ZN	
5	AG515121	4	WASHER 0.25 FL SS REG	
6	AG550205	8	WASHER LK 0.31 ZN REG	
7	AG550213	8	NUT 0.31-18NC HEX ZN REG	
8	AG551015	8	WASHER 0.31 FL ZN REG TYPE-B	
9	AG562064	2	BOLT 0.25-20NCX 1.00 S.S. HDD	[A]
	FOOTNOTE [A]		STAINLESS STEEL	

WWW.ROLTRONIK.PL



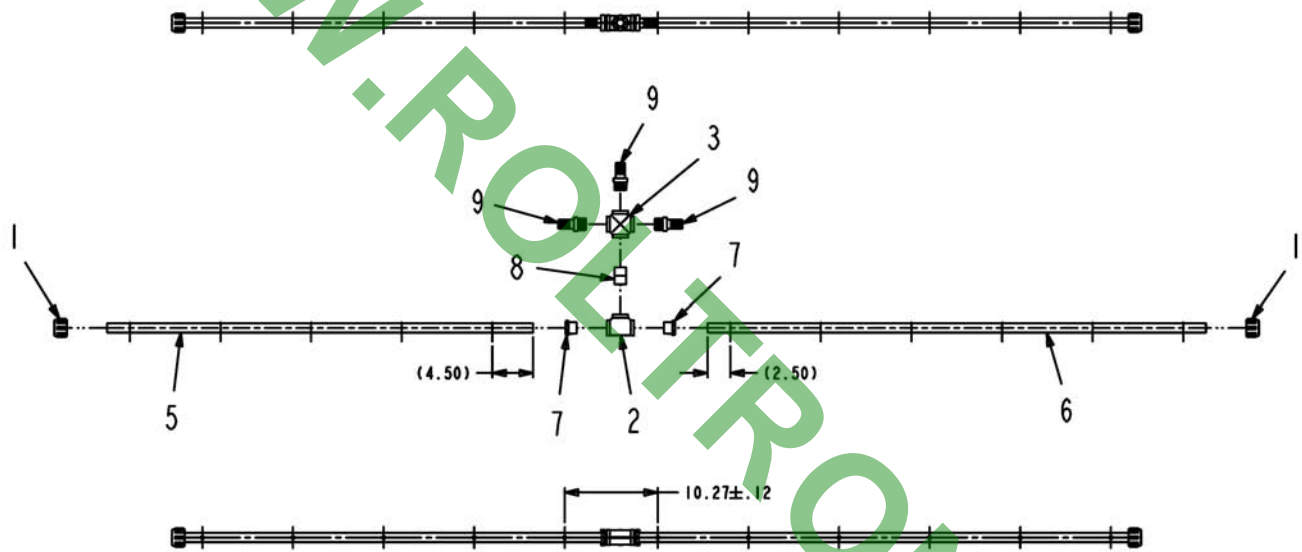
ITEM	PART #	QTY	DESCRIPTION	COMMENTS
1	AG519562	143	NOZ HLDR-TPL 1.00 IPS	SEE PAGE 3-13

WWW.ROLTRONIK.PL



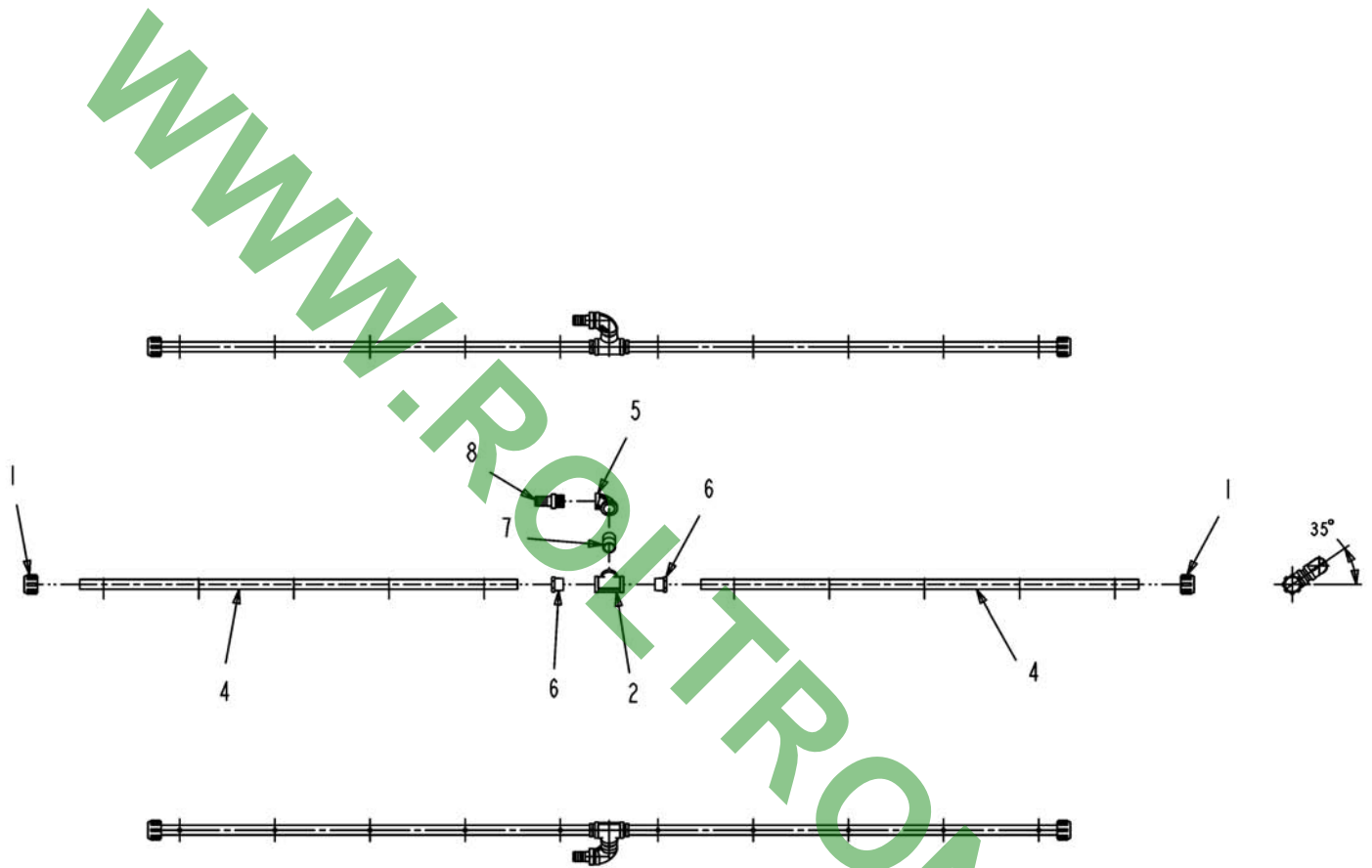
ITEM	PART #	QTY	DESCRIPTION	COMMENTS
1	AG519562	72	NOZ HLDR-TPL 1.00 IPS	SEE PAGE 3-13

WWW.ROLTRONIK.PL



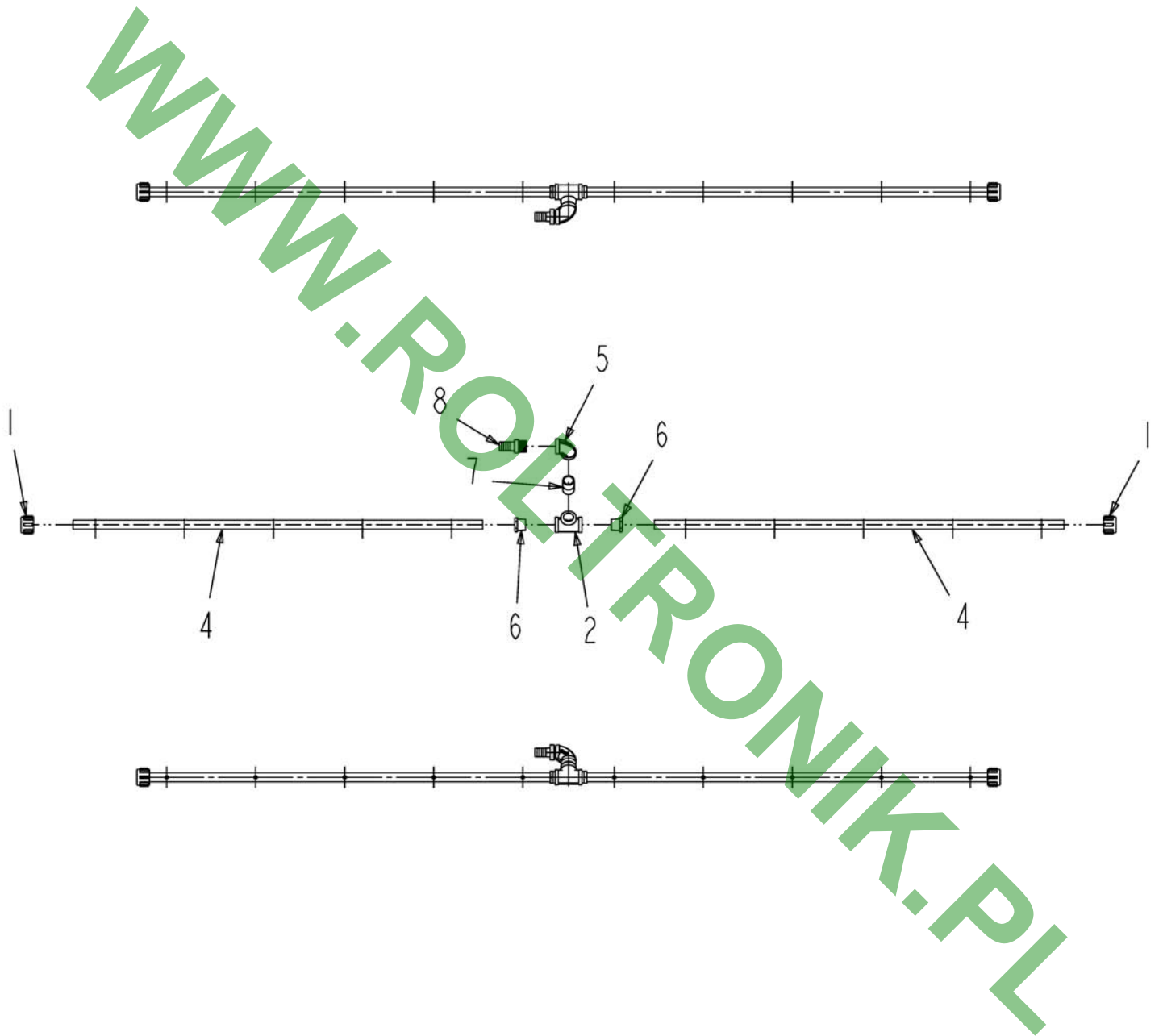
ITEM	PART #	QTY	DESCRIPTION	COMMENTS
1	AG051535	2	CAP-PIPE,0.75NPT PP	
2	AG051884	1	TEE 1.00 304SS	
3	AG051910	1	CROSS 1.00 TYPE 304SS	
4	AG129187	AR	PIPE SEALANT-POLY SEAL	
5	AG217597	1	TUBE BOOM 10 INNER 47.00	
6	AG217598	1	TUBE BOOM REAR RIGHT 55.00 IN	
7	AG562712	2	BUSHING 1.00MNPTX0.75FNPT 304S	
8	AG710516	1	NIPPLE 1.00NPTX CLS 304SS	
9	AG845079	3	NIPPLE KING 1.00 316SS	

WWW.ROLTRONIK.PL



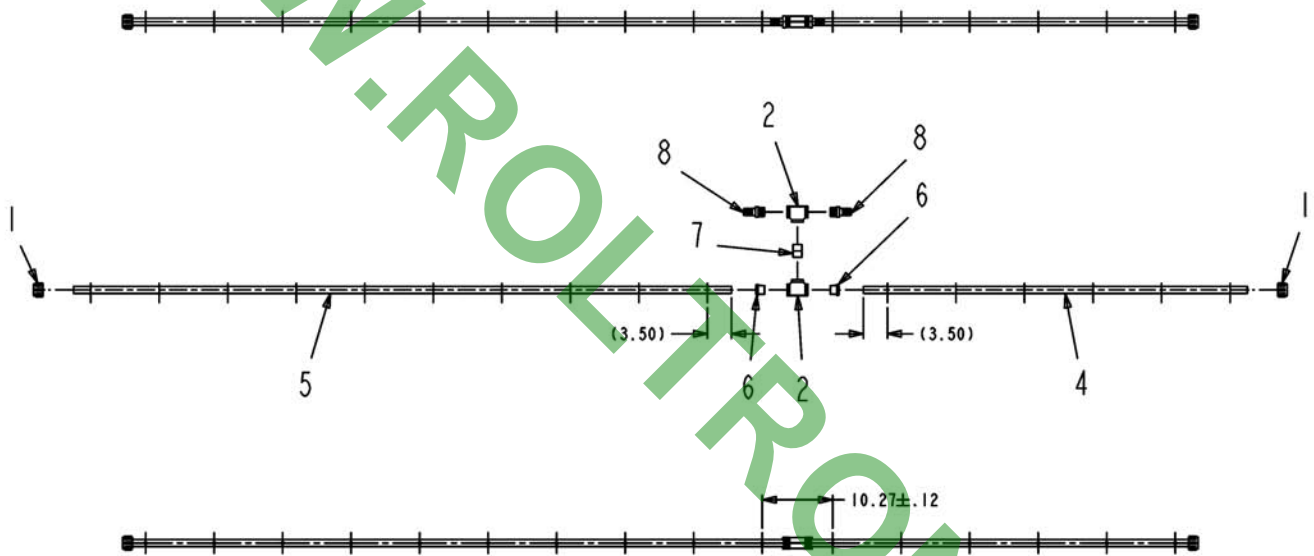
ITEM	PART #	QTY	DESCRIPTION	COMMENTS
1	AG051535	2	CAP-PIPE,0.75NPT PP	
2	AG051884	1	TEE 1.00 304SS	
3	AG129187	AR	PIPE SEALANT-POLY SEAL	
4	AG217599	2	TUBE BOOM INNER	
5	AG562304	1	ELBOW 90D 1.00X1.00 S.S. 304	
6	AG562712	2	BUSHING 1.00MNPTX0.75FNPT 304S	
7	AG710516	1	NIPPLE 1.00NPTX CLS 304SS	
8	AG845079	1	NIPPLE KING 1.00 316SS	

WWW.ROLTRONIK.PL



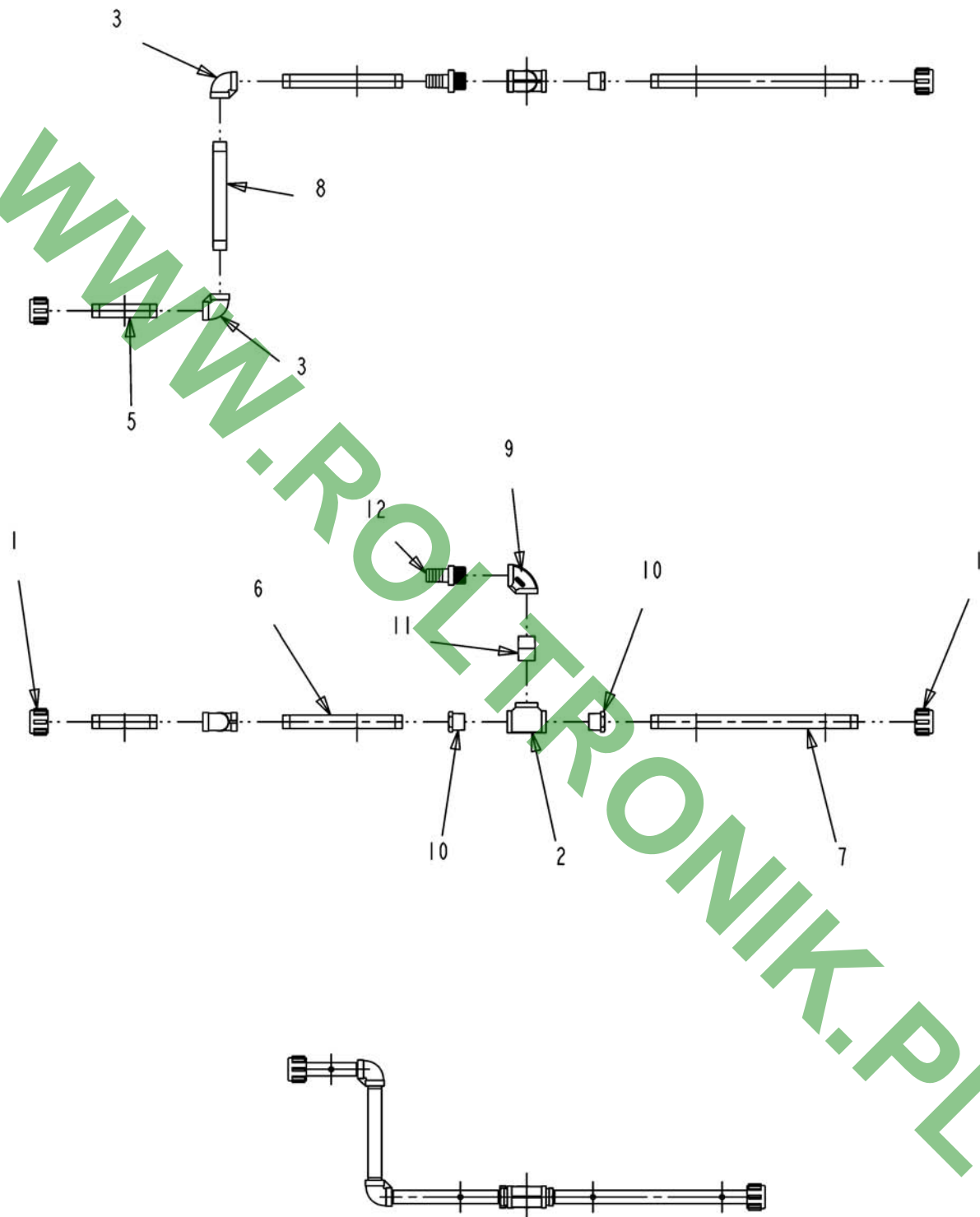
ITEM	PART #	QTY	DESCRIPTION	COMMENTS
1	AG051535	2	CAP-PIPE,0.75NPT PP	
2	AG051884	1	TEE 1.00 304SS	
3	AG129187	AR	PIPE SEALANT-POLY SEAL	
4	AG217599	2	TUBE BOOM INNER	
5	AG562304	1	ELBOW 90D 1.00X1.00 S.S. 304	
6	AG562712	2	BUSHING 1.00MNPTX0.75FNPT 304S	
7	AG710516	1	NIPPLE 1.00NPTX CLS 304SS	
8	AG845079	1	NIPPLE KING 1.00 316SS	

WWW.ROLTRONIK.PL



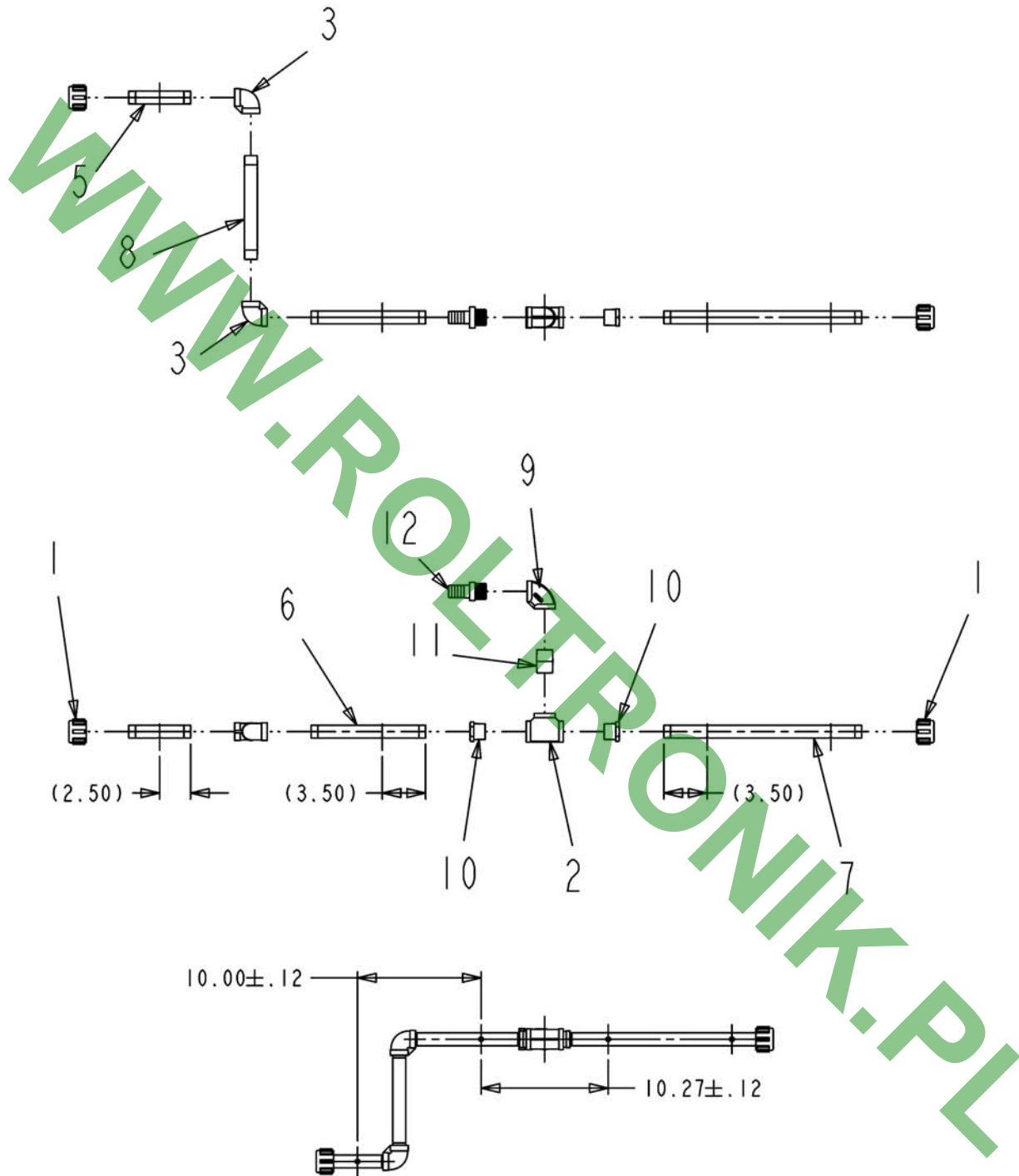
ITEM	PART #	QTY	DESCRIPTION	COMMENTS
1	AG051535	2	CAP-PIPE,0.75NPT PP	
2	AG051884	2	TEE 1.00 304SS	
3	AG129187	AR	PIPE SEALANT-POLY SEAL	
4	AG217605	1	TUBE BOOM TIP OUTER 56.00 IN	
5	AG232940	1	TUBE BOOM MIDDLE IN 96.00	
6	AG562712	2	BUSHING 1.00MNPTX0.75FNPT 304S	
7	AG710516	1	NIPPLE 1.00NPTX CLS 304SS	
8	AG845079	2	NIPPLE KING 1.00 316SS	

WWW.ROLTRONIK.PL



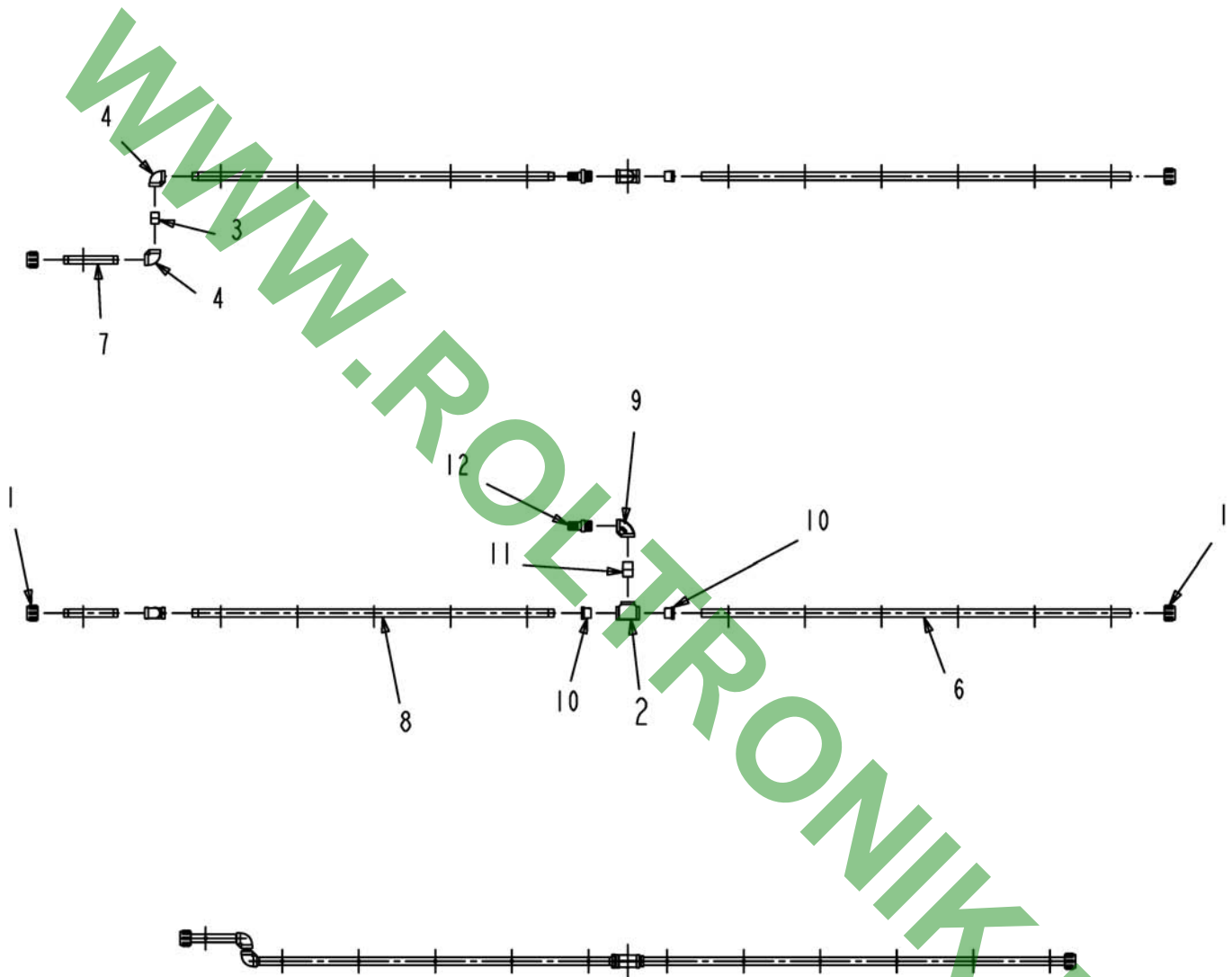
ITEM	PART #	QTY	DESCRIPTION	COMMENTS
1	AG051535	2	CAP-PIPE,0.75NPT PP	
2	AG051884	1	TEE 1.00 304SS	
3	AG051932	2	ELBOW 90D 0.75 304SS	
4	AG129187	AR	PIPE SEALANT-POLY SEAL	
5	AG217494	1	TUBE BREAK STUB 5.00	
6	AG517602	1	CONNECTOR MA 6 WAY 150 SEALED	
7	AG217603	1	TUBE BOOM BREAKAWAY 16.00	
8	AG217610	1	TUBE BOOM BREAKAWAY	
9	AG562304	1	ELBOW 90D 1.00X1.00 S.S. 304	
10	AG562712	2	BUSHING 1.00MNPTX0.75FNPT 304S	
11	AG710516	1	NIPPLE 1.00NPTX CLS 304SS	
12	AG845079	1	NIPPLE KING 1.00 316SS	

WWW.ROLTRONIK.PL



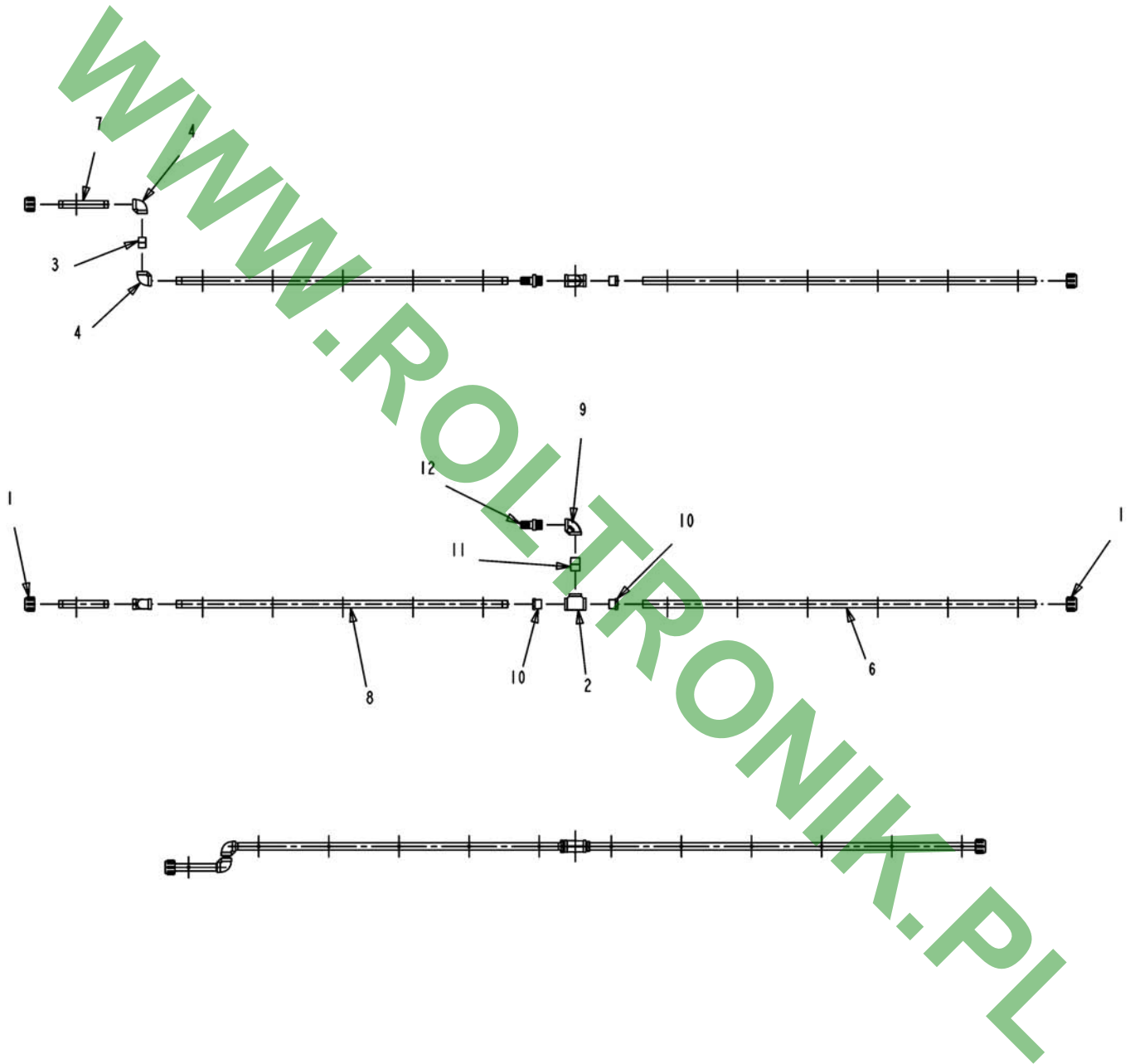
ITEM	PART #	QTY	DESCRIPTION	COMMENTS
1	AG051535	2	CAP-PIPE,0.75NPT PP	
2	AG051884	1	TEE 1.00 304SS	
3	AG051932	2	ELBOW 90D 0.75 304SS	
4	AG129187	AR	PIPE SEALANT-POLY SEAL	
5	AG217494	1	TUBE BREAK STUB 5.00	
6	AG517602	1	CONNECTOR MA 6 WAY 150 SEALED	
7	AG217603	1	TUBE BOOM BREAKAWAY 16.00	
8	AG217610	1	TUBE BOOM BREAKAWAY	
9	AG562304	1	ELBOW 90D 1.00X1.00 S.S. 304	
10	AG562712	2	BUSHING 1.00MNPTX0.75FNPT 304S	
11	AG710516	1	NIPPLE 1.00NPTX CLS 304SS	
12	AG845079	1	NIPPLE KING 1.00 316SS	

WWW.ROLTRONIK.PL



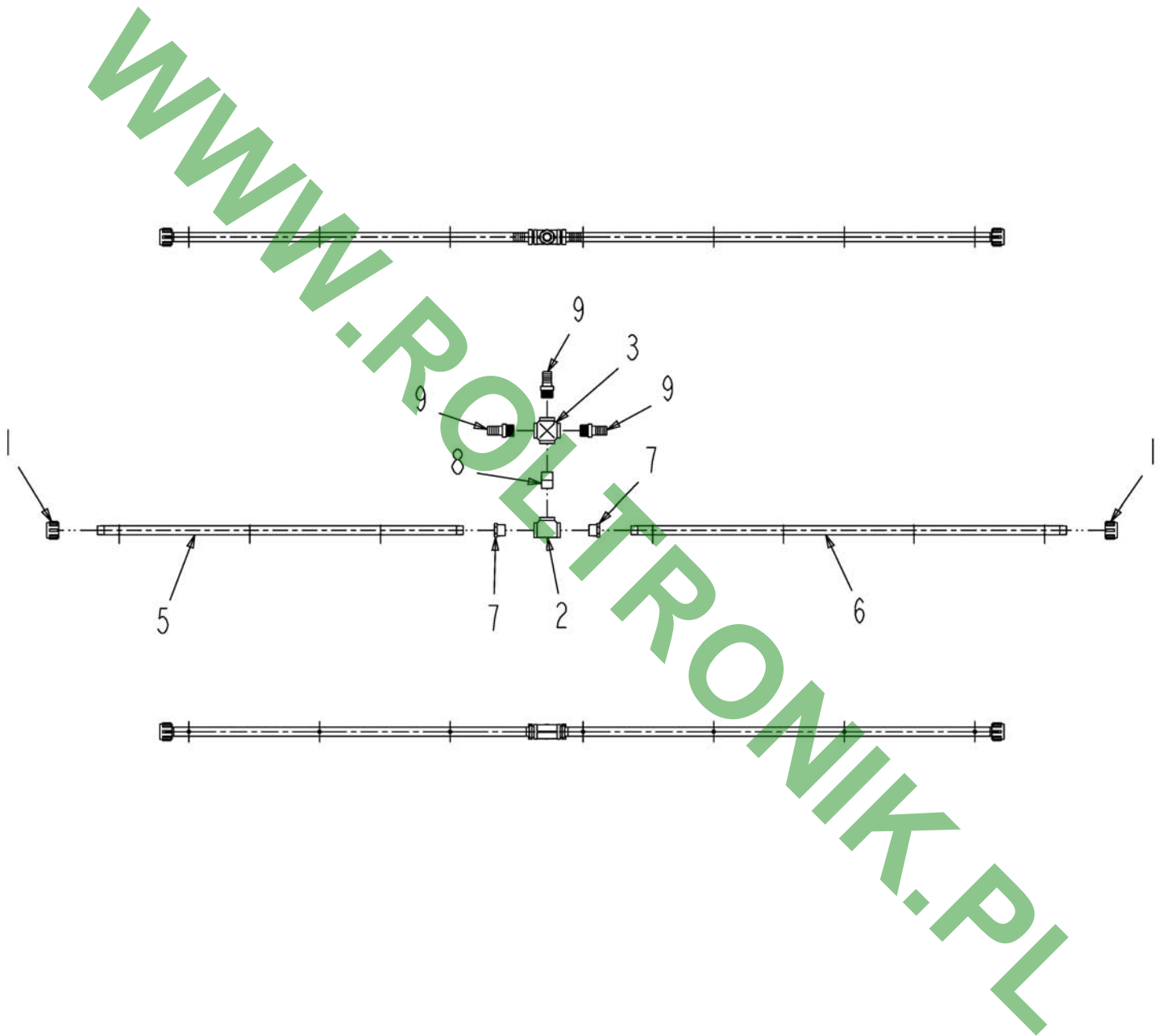
ITEM	PART #	QTY	DESCRIPTION	COMMENTS
1	AG051535	2	CAP-PIPE,0.75NPT PP	
2	AG051884	1	TEE 1.00 304SS	
3	AG051903	1	CLOSE NIPPLE 0.75 SS	
4	AG051932	2	ELBOW 90D 0.75 304SS	
5	AG129187	AR	PIPE SEALANT-POLY SEAL	
6	AG217605	1	TUBE BOOM TIP OUTER 56.00 IN	
7	AG217611	1	TUBE BREAK STUB 7.00	
8	AG217612	1	TUBE BOOM TIP INNER 47.25	
9	AG562304	1	ELBOW 90D 1.00X1.00 S.S. 304	
10	AG562712	2	BUSHING 1.00MNPTX0.75FNPT 304S	
11	AG710516	1	NIPPLE 1.00NPTX CLS 304SS	
12	AG845079	1	NIPPLE KING 1.00 316SS	

WWW.ROLTRONIK.PL



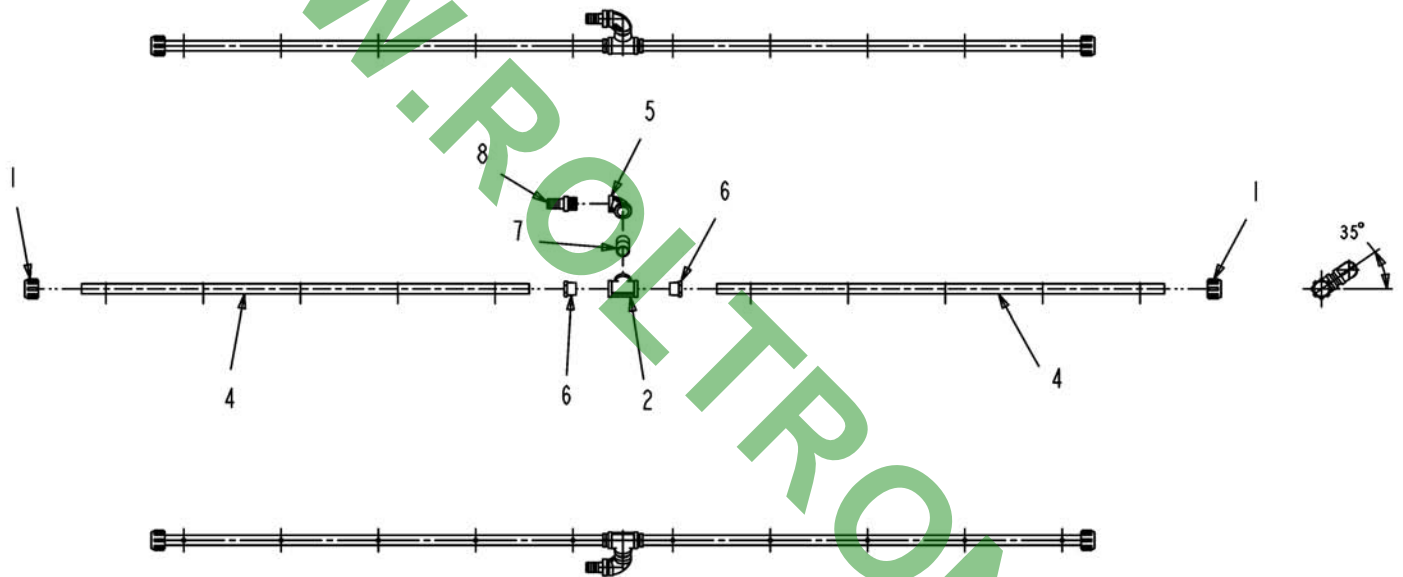
ITEM	PART #	QTY	DESCRIPTION	COMMENTS
1	AG051535	2	CAP-PIPE,0.75NPT PP	
2	AG051884	1	TEE 1.00 304SS	
3	AG051903	1	CLOSE NIPPLE 0.75 SS	
4	AG051932	2	ELBOW 90D 0.75 304SS	
5	AG129187	AR	PIPE SEALANT-POLY SEAL	
6	AG217605	1	TUBE BOOM TIP OUTER 56.00 IN	
7	AG217611	1	TUBE BREAK STUB 7.00	
8	AG217612	1	TUBE BOOM TIP INNER 47.25	
9	AG562304	1	ELBOW 90D 1.00X1.00 S.S. 304	
10	AG562712	2	BUSHING 1.00MNPTX0.75FNPT 304S	
11	AG710516	1	NIPPLE 1.00NPTX CLS 304SS	
12	AG845079	1	NIPPLE KING 1.00 316SS	

WWW.ROLTRONIK.PL



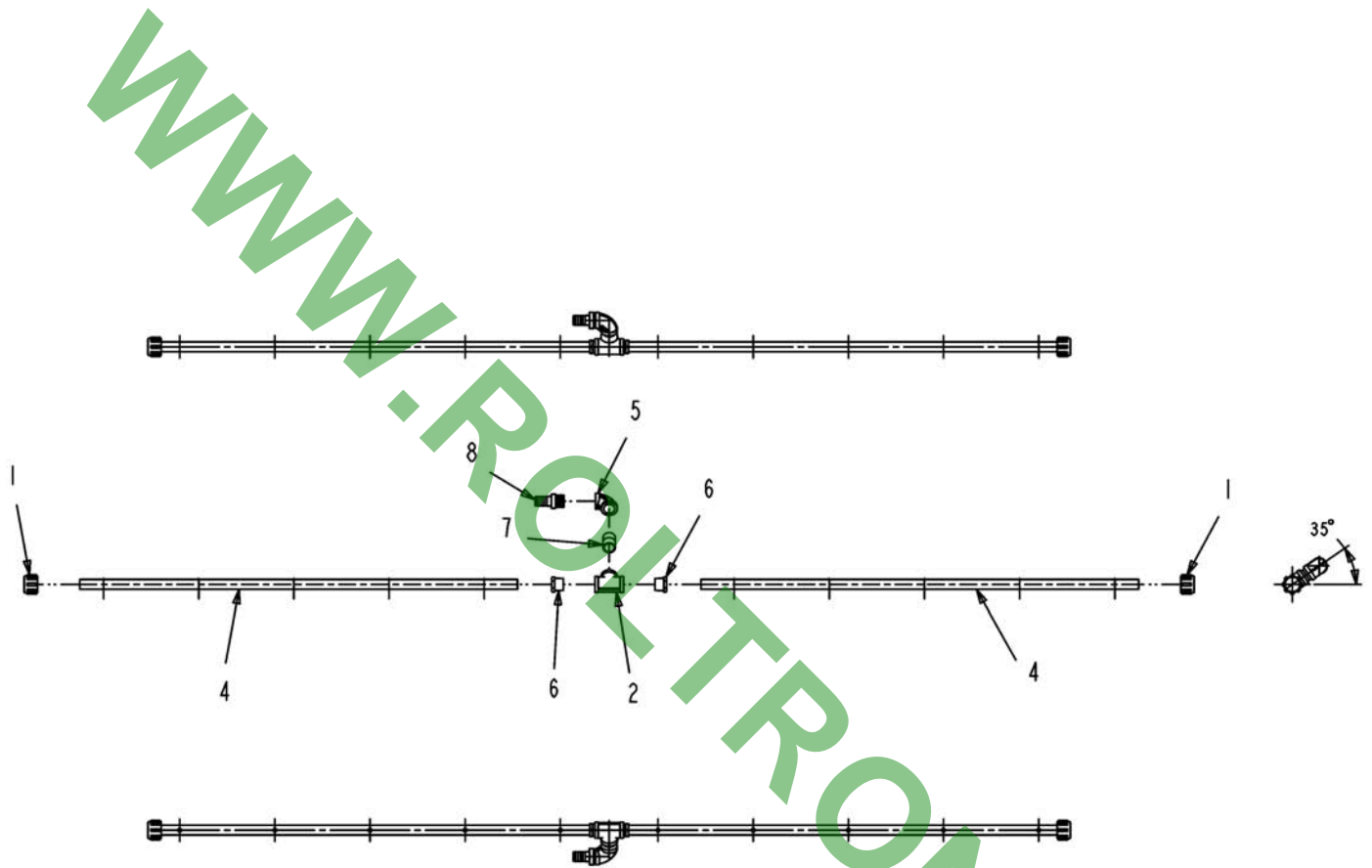
ITEM	PART #	QTY	DESCRIPTION	COMMENTS
1	AG051535	2	CAP-PIPE,0.75NPT PP	
2	AG051884	1	TEE 1.00 304SS	
3	AG051910	1	CROSS 1.00 TYPE 304SS	
4	AG129187	AR	PIPE SEALANT-POLY SEAL	
5	AG217645	1	TUBE BOOM 15 REAR LEFT 42.00 IN	
6	AG217646	1	TUBE BOOM 15 REAR RIGHT 50.00 IN	
7	AG562712	2	BUSHING 1.00MNPTX0.75FNPT 304S	
8	AG710516	1	NIPPLE 1.00NPTX CLS 304SS	
9	AG845079	3	NIPPLE KING 1.00 316SS	

WWW.ROLTRONIK.PL



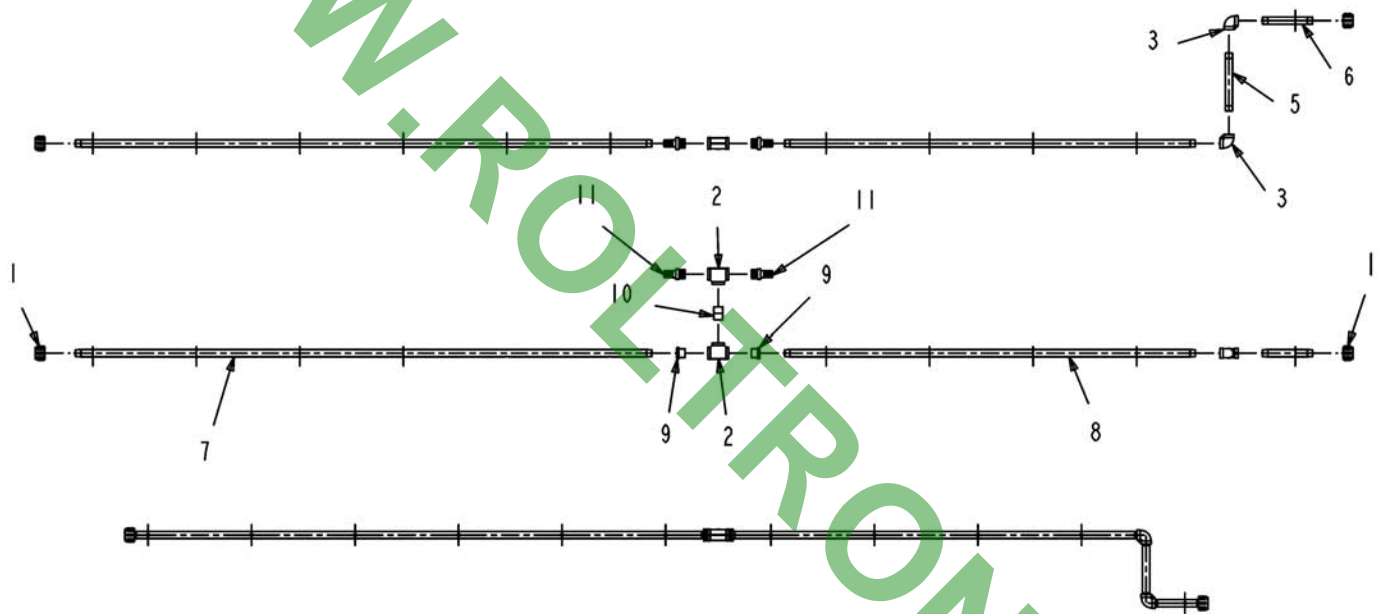
ITEM	PART #	QTY	DESCRIPTION	COMMENTS
1	AG051535	2	CAP-PIPE,0.75NPT PP	
2	AG051884	1	TEE 1.00 304SS	
3	AG129187	AR	PIPE SEALANT-POLY SEAL	
4	AG234372	1	TUBE BOOM 15 INNER IN 53.00 IN	
5	AG238431	1	TUBE-BOOM,15,38.00,SS	
6	AG562304	1	ELBOW 90D 1.00X1.00 S.S. 304	
7	AG562712	2	BUSHING 1.00MNPTX0.75FNPT 304S	
8	AG710516	1	NIPPLE 1.00NPTX CLS 304SS	
9	AG845079	3	NIPPLE KING 1.00 316SS	

WWW.ROLTRONIK.PL



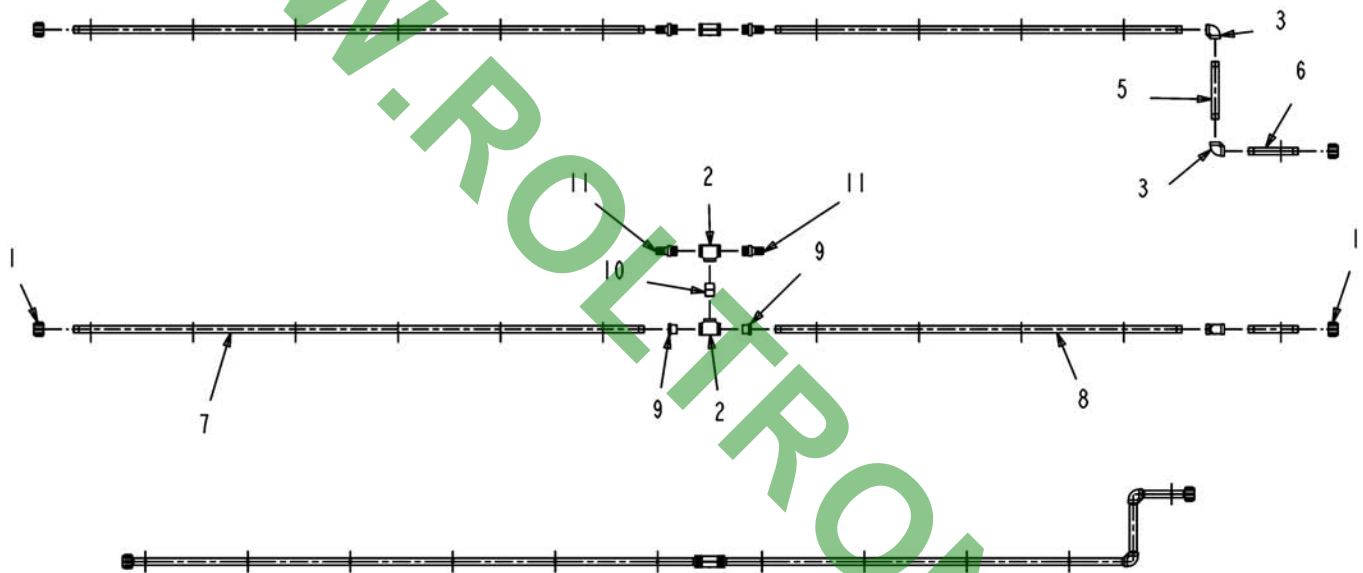
ITEM	PART #	QTY	DESCRIPTION	COMMENTS
1	AG051535	2	CAP-PIPE,0.75NPT PP	
2	AG051884	1	TEE 1.00 304SS	
3	AG129187	AR	PIPE SEALANT-POLY SEAL	
4	AG234372	1	TUBE BOOM 15 INNER IN 53.00 IN	
5	AG238431	1	TUBE-BOOM,15,38.00,SS	
6	AG562304	1	ELBOW 90D 1.00X1.00 S.S. 304	
7	AG562712	2	BUSHING 1.00MNPTX0.75FNPT 304S	
8	AG710516	1	NIPPLE 1.00NPTX CLS 304SS	
9	AG845079	3	NIPPLE KING 1.00 316SS	

WWW.ROLTRONIK.PL



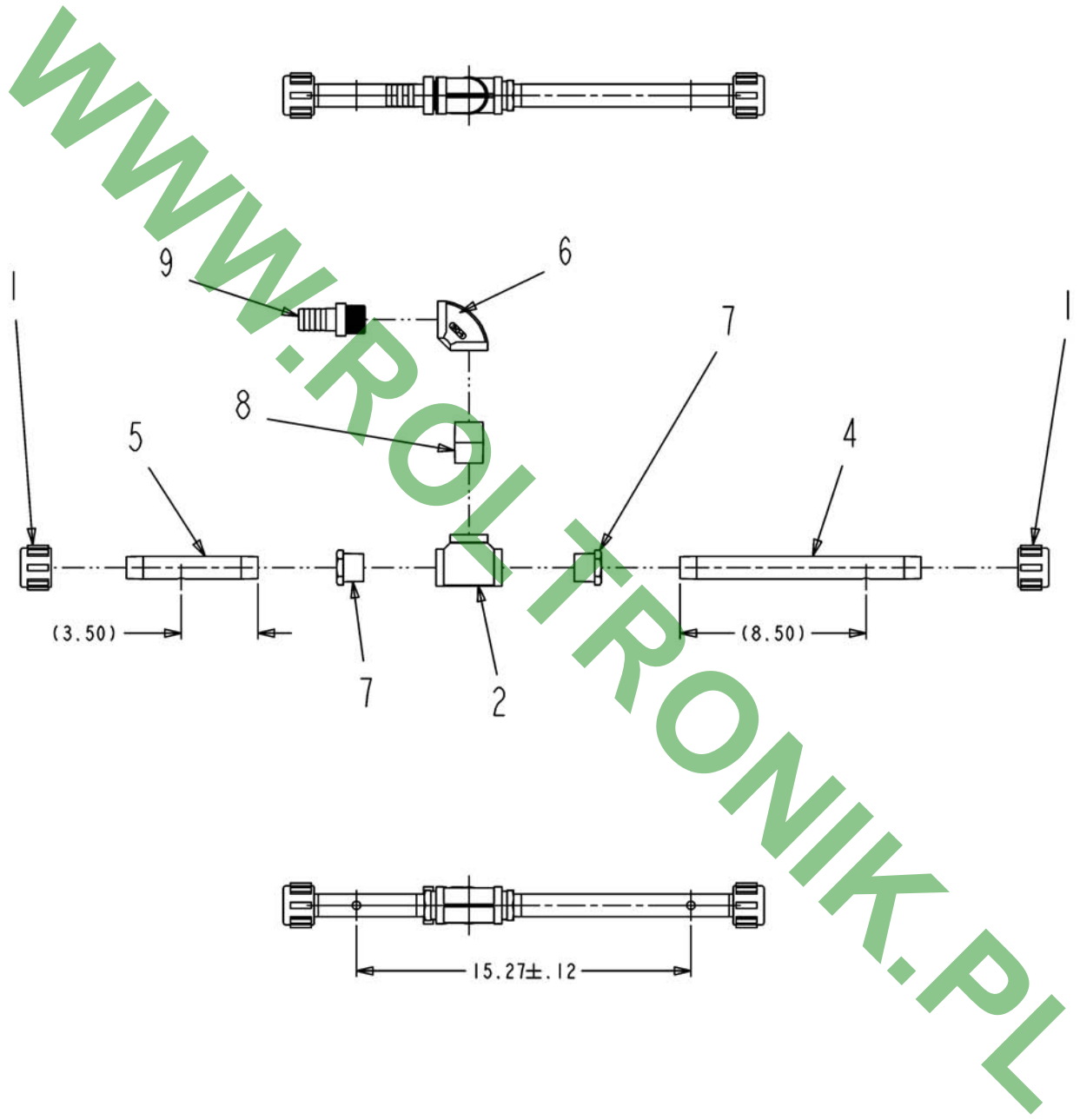
ITEM	PART #	QTY	DESCRIPTION	COMMENTS
1	AG051535	2	CAP-PIPE,0.75NPT PP	
2	AG051884	2	TEE 1.00 304SS	
3	AG051932	2	ELBOW 90D 0.75 304SS	
4	AG129187	AR	PIPE SEALANT-POLY SEAL	
5	AG217610	1	TUBE BOOM BREAKAWAY	
6	AG217643	1	TUBE BOOM 15 BREAKAWAY 7.25 IN	
7	AG238498	1	TUBE-BOOM,15,83.50,SS	
8	AG238499	1	TUBE-BOOM,15,59.50,SS	
9	AG562712	2	BUSHING 1.00MNPTX0.75FNPT 304S	
10	AG710516	1	NIPPLE 1.00NPTX CLS 304SS	
11	AG845079	2	NIPPLE KING 1.00 316SS	

WWW.ROLTRONIK.PL



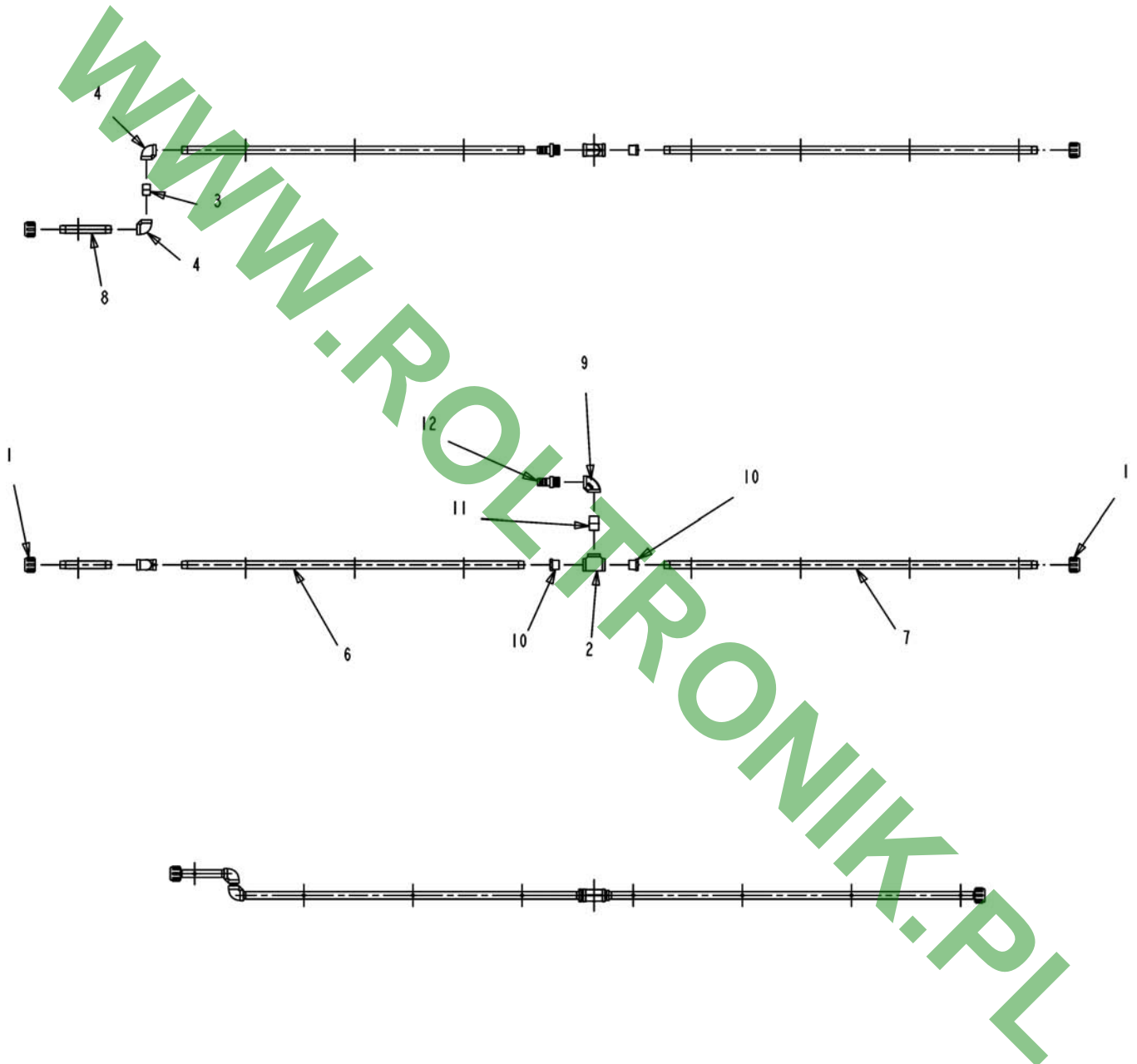
ITEM	PART #	QTY	DESCRIPTION	COMMENTS
1	AG051535	2	CAP-PIPE,0.75NPT PP	
2	AG051884	2	TEE 1.00 304SS	
3	AG051932	2	ELBOW 90D 0.75 304SS	
4	AG129187	AR	PIPE SEALANT-POLY SEAL	
5	AG217610	1	TUBE BOOM BREAKAWAY	
6	AG217643	1	TUBE BOOM 15 BREAKAWAY 7.25 IN	
7	AG238498	1	TUBE-BOOM,15,83.50,SS	
8	AG238499	1	TUBE-BOOM,15,59.50,SS	
9	AG562712	2	BUSHING 1.00MNPTX0.75FNPT 304S	
10	AG710516	1	NIPPLE 1.00NPTX CLS 304SS	
11	AG845079	2	NIPPLE KING 1.00 316SS	

WWW.ROLTRONIK.PL



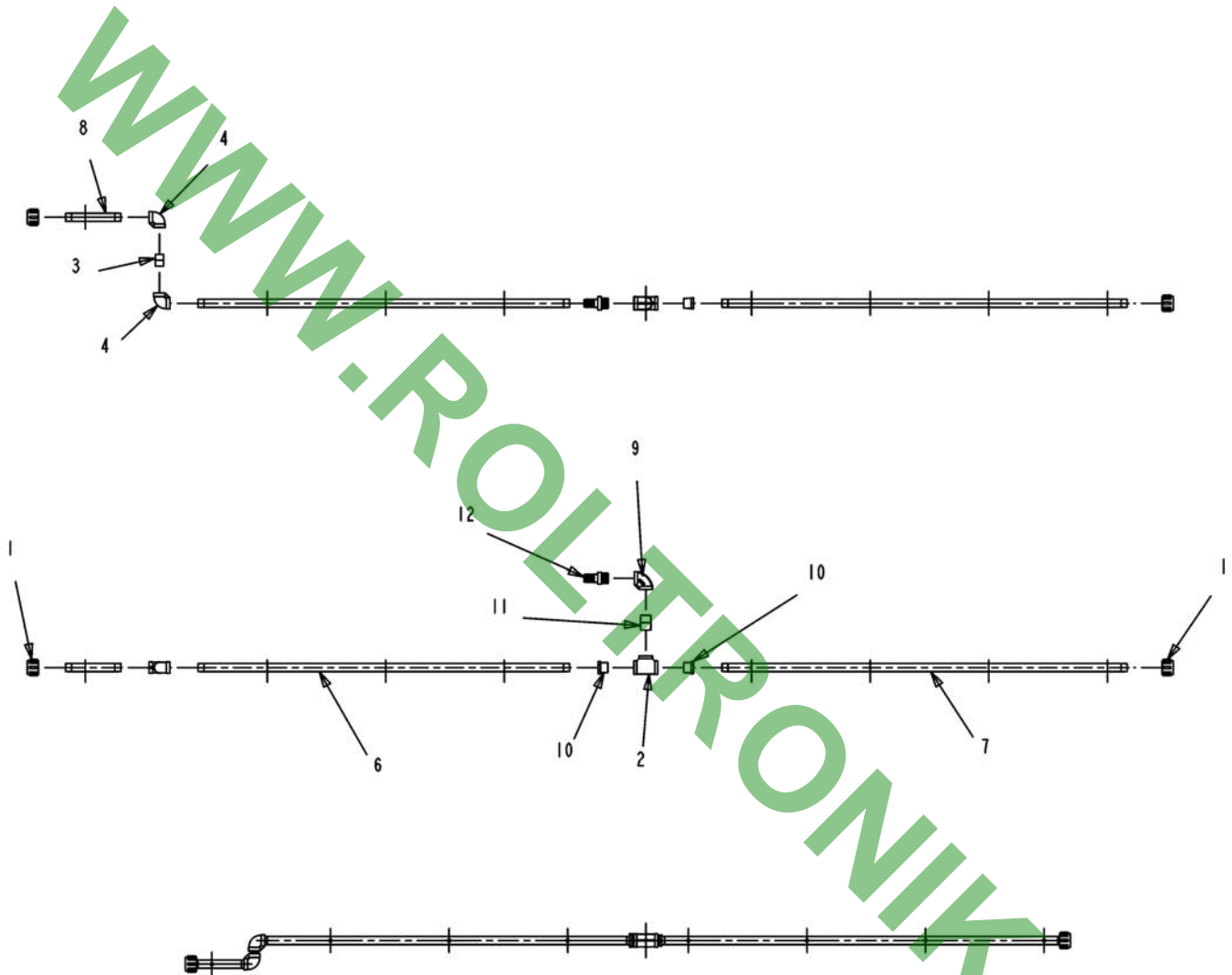
ITEM	PART #	QTY	DESCRIPTION	COMMENTS
1	AG051535	2	CAP-PIPE,0.75NPT PP	
2	AG051884	1	TEE 1.00 304SS	
3	AG129187	AR	PIPE SEALANT-POLY SEAL	
4	AG217648	1	TUBE BOOM 15 SPLIT 11.00 IN	
5	AG239792	1	TUBE-BOOM,15 SPLIT,6.00	
6	AG562304	1	ELBOW 90D 1.00X1.00 S.S. 304	
7	AG562712	2	BUSHING 1.00MNPTX0.75FNPT 304S	
8	AG710516	1	NIPPLE 1.00NPTX CLS 304SS	
9	AG845079	1	NIPPLE KING 1.00 316SS	

WWW.ROLTRONIK.PL



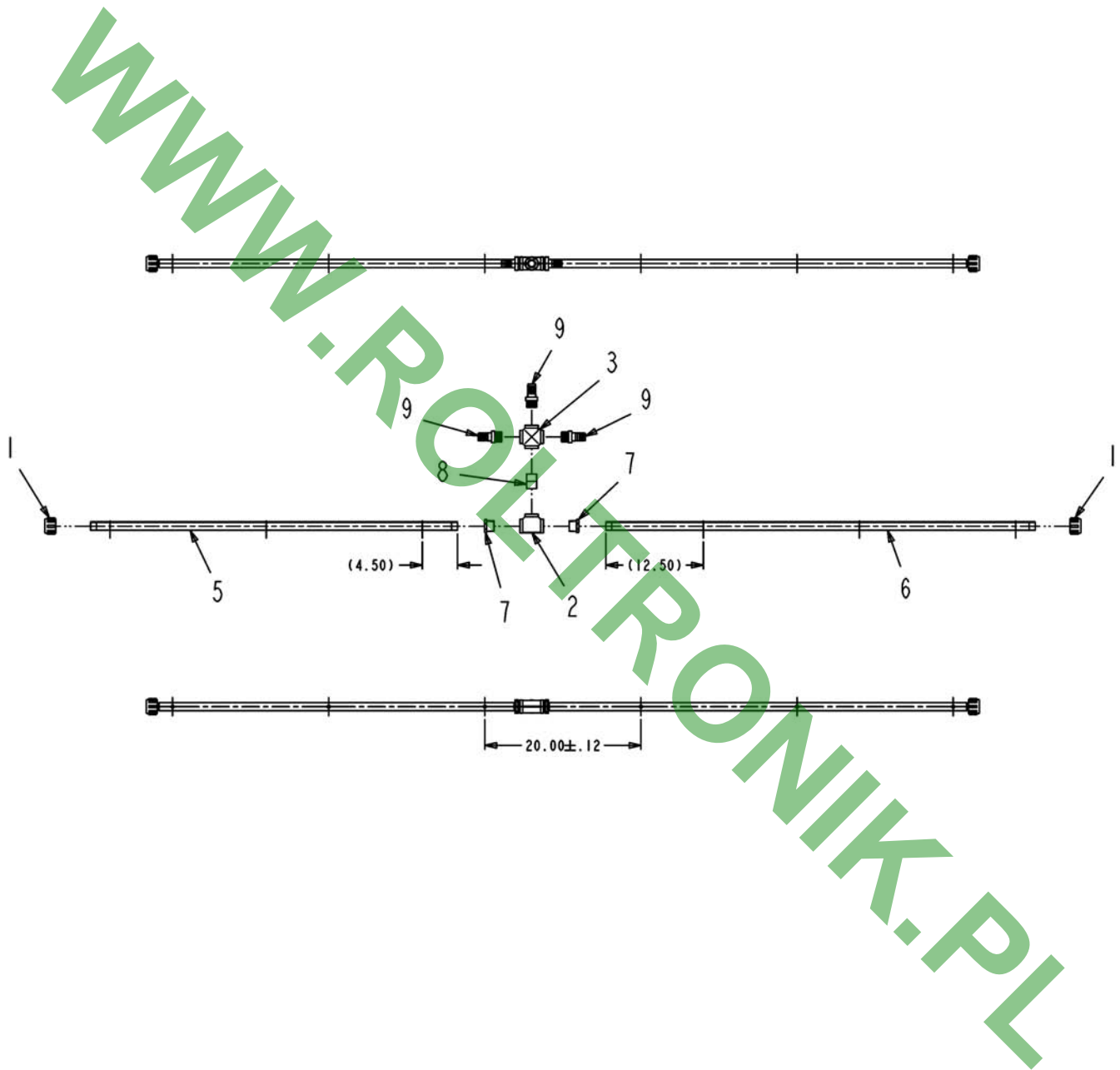
ITEM	PART #	QTY	DESCRIPTION	COMMENTS
1	AG051535	2	CAP-PIPE,0.75NPT PP	
2	AG051884	1	TEE 1.00 304SS	
3	AG051903	1	CLOSE NIPPLE 0.75 SS	
4	AG051932	2	ELBOW 90D 0.75 304SS	
5	AG129187	AR	PIPE SEALANT-POLY SEAL	
6	AG217649	1	TUBE BOOM 15 TIP INNER 47.00 IN	[A]
7	AG217650	1	TUBE BOOM	
8	AG217651	1	TUBE BOOM 15 TIP FOLD 7.00 IN	
9	AG562304	1	ELBOW 90D 1.00X1.00 S.S. 304	
10	AG562712	2	BUSHING 1.00MNPTX0.75FNPT 304S	
11	AG710516	1	NIPPLE 1.00NPTX CLS 304SS	
12	AG845079	1	NIPPLE KING 1.00 316SS	
	FOOTNOTE [A]		TUBE HAS 15 IN. SPACING	

WWW.ROLTRONIK.PL



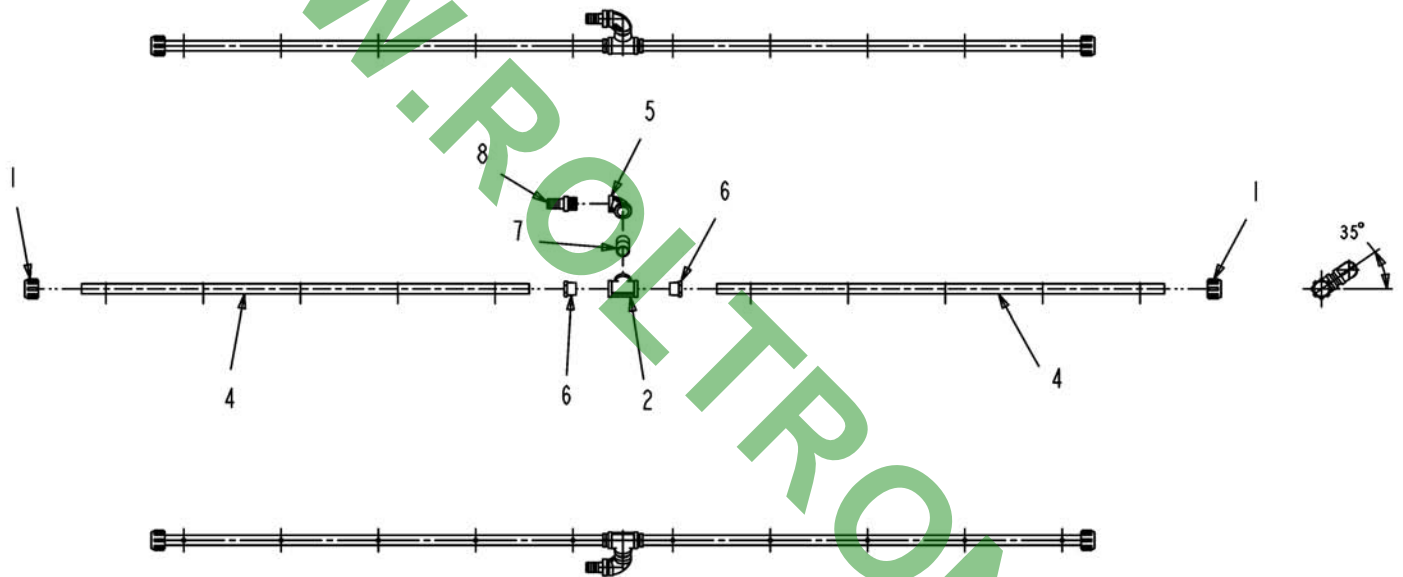
ITEM	PART #	QTY	DESCRIPTION	COMMENTS
1	AG051535	2	CAP-PIPE,0.75NPT PP	
2	AG051884	1	TEE 1.00 304SS	
3	AG051903	1	CLOSE NIPPLE 0.75 SS	
4	AG051932	2	ELBOW 90D 0.75 304SS	
5	AG129187	AR	PIPE SEALANT-POLY SEAL	
6	AG217649	1	TUBE BOOM 15 TIP INNER 47.00 IN	[A]
7	AG217650	1	TUBE BOOM	
8	AG217651	1	TUBE BOOM 15 TIP FOLD 7.00 IN	
9	AG562304	1	ELBOW 90D 1.00X1.00 S.S. 304	
10	AG562712	2	BUSHING 1.00MNPTX0.75FNPT 304S	
11	AG710516	1	NIPPLE 1.00NPTX CLS 304SS	
12	AG845079	1	NIPPLE KING 1.00 316SS	
	FOOTNOTE [A]		TUBE HAS 15 IN. SPACING	

WWW.ROLTRONIK.PL



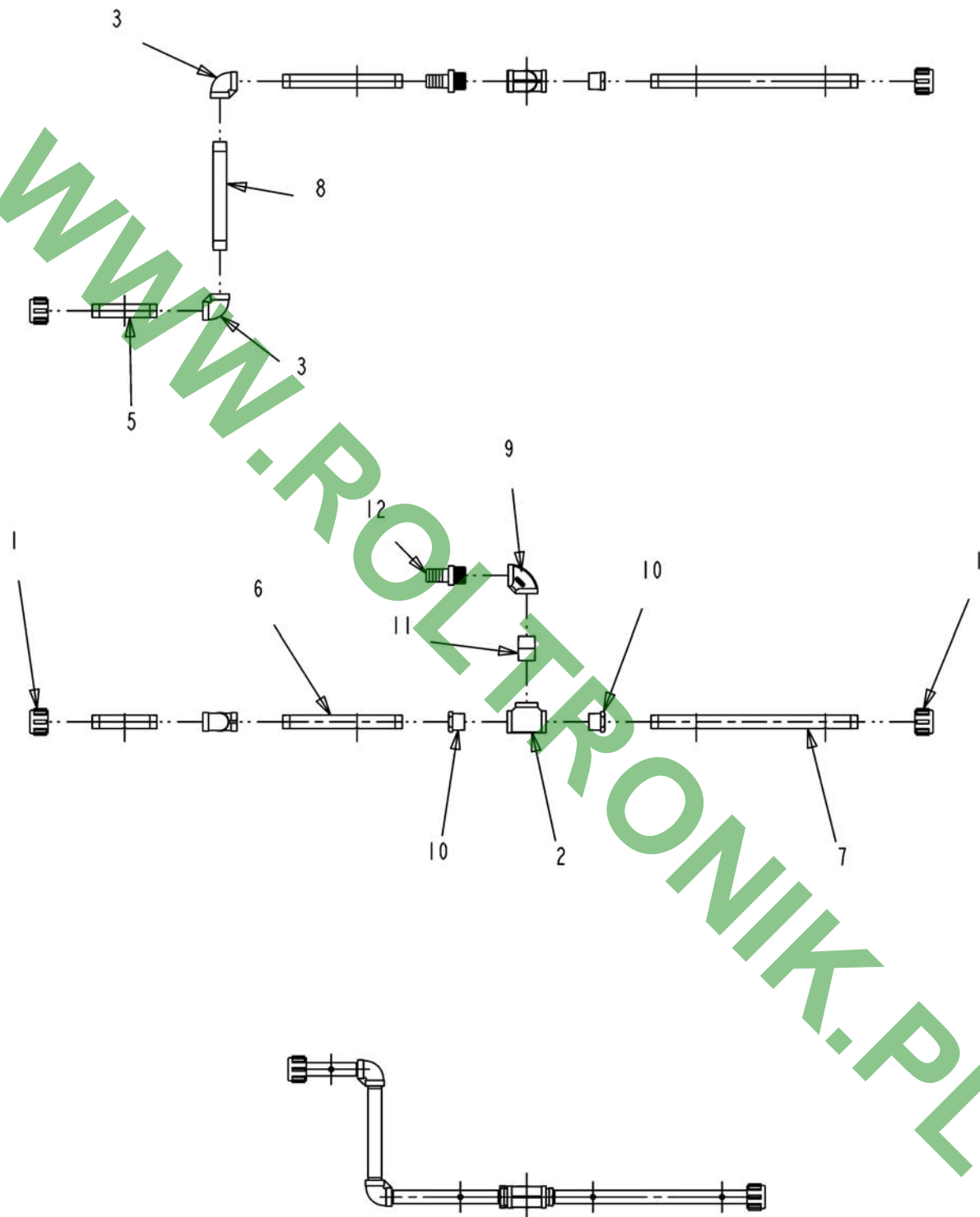
ITEM	PART #	QTY	DESCRIPTION	COMMENTS
1	AG051535	2	CAP-PIPE,0.75NPT PP	
2	AG051884	1	TEE 1.00 304SS	
3	AG051910	1	CROSS 1.00 TYPE 304SS	
4	AG129187	AR	PIPE SEALANT-POLY SEAL	
5	AG231211	1	TUBE CENTER LEFT 47.00	
6	AG231212	1	TUBE CENTER RIGHT 55.00	
7	AG562712	2	BUSHING 1.00MNPTX0.75FNPT 304S	
8	AG710516	1	NIPPLE 1.00NPTX CLS 304SS	
9	AG845079	3	NIPPLE KING 1.00 316SS	

WWW.ROLTRONIK.PL



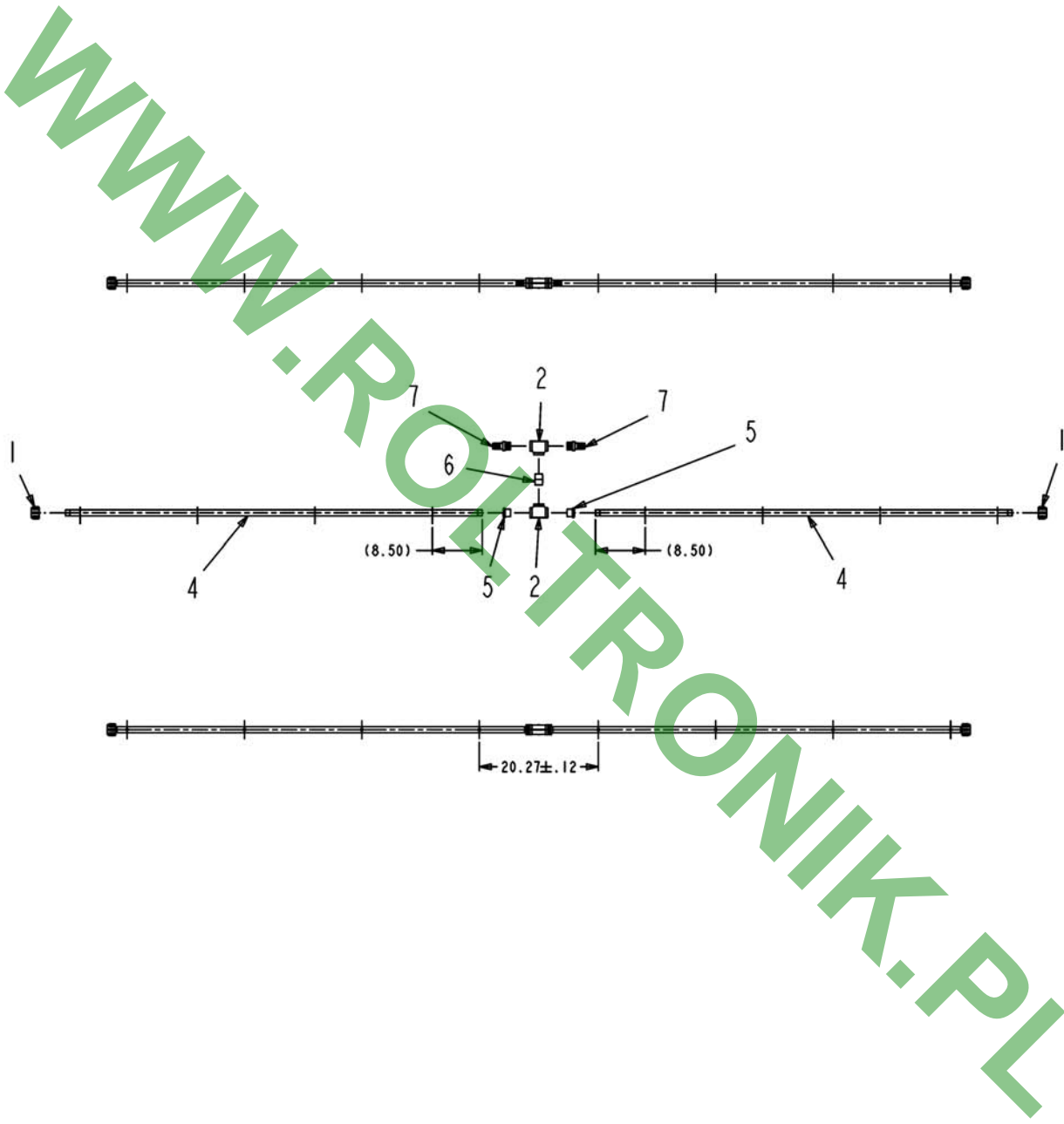
ITEM	PART #	QTY	DESCRIPTION	COMMENTS
1	AG051535	2	CAP-PIPE,0.75NPT PP	
2	AG051884	1	TEE 1.00 304SS	
3	AG129187	AR	PIPE SEALANT-POLY SEAL	
4	AG217616	1	TUBE BOOM 20 INNER OUT 46.00	
5	AG239791	1	TUBE-BOOM,20 INNER,36.00	
6	AG562304	1	ELBOW 90D 1.00X1.00 S.S. 304	
7	AG562712	2	BUSHING 1.00MNPTX0.75FNPT 304S	
8	AG710516	1	NIPPLE 1.00NPTX CLS 304SS	
9	AG845079	3	NIPPLE KING 1.00 316SS	

WWW.ROLTRONIK.PL



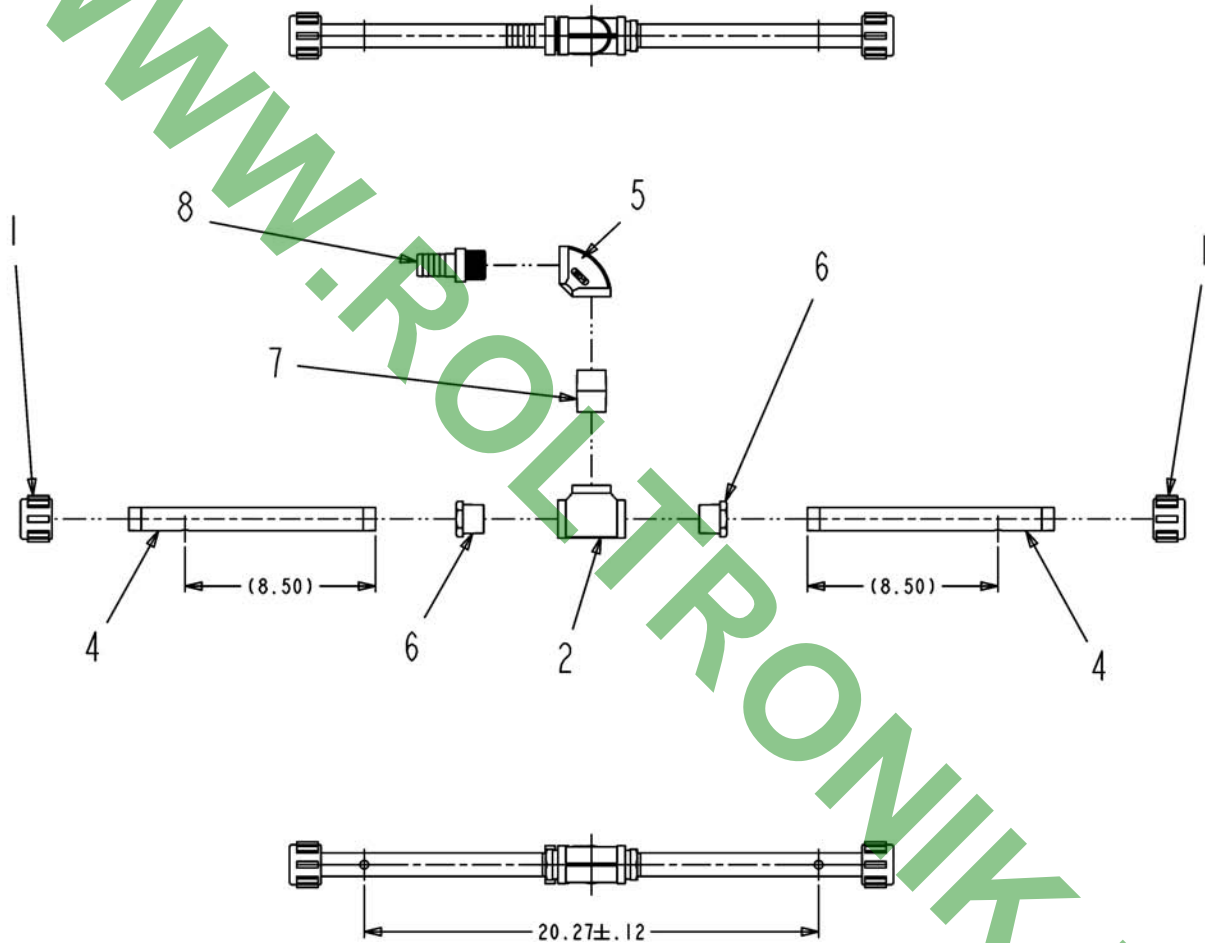
ITEM	PART #	QTY	DESCRIPTION	COMMENTS
1	AG051535	2	CAP-PIPE,0.75NPT PP	
2	AG051884	1	TEE 1.00 304SS	
3	AG129187	AR	PIPE SEALANT-POLY SEAL	
4	AG217616	1	TUBE BOOM 20 INNER OUT 46.00	
5	AG239791	1	TUBE-BOOM,20 INNER,36.00	
6	AG562304	1	ELBOW 90D 1.00X1.00 S.S. 304	
7	AG562712	2	BUSHING 1.00MNPTX0.75FNPT 304S	
8	AG710516	1	NIPPLE 1.00NPTX CLS 304SS	
9	AG845079	3	NIPPLE KING 1.00 316SS	

WWW.ROLTRONIK.PL



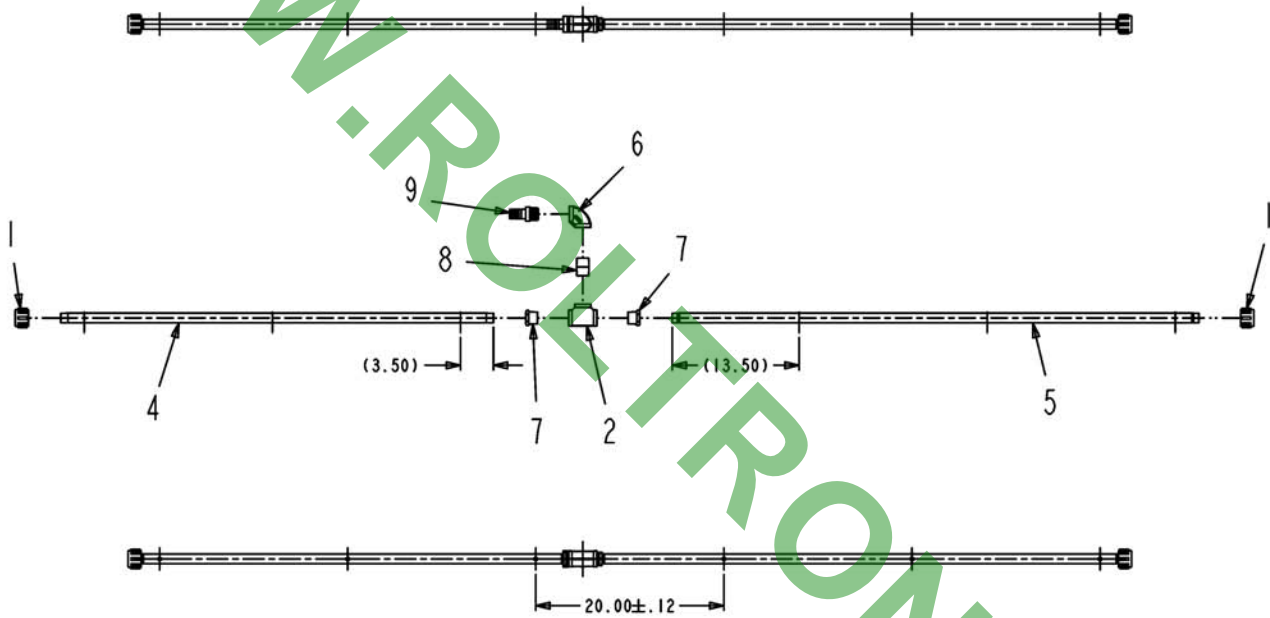
ITEM	PART #	QTY	DESCRIPTION	COMMENTS
1	AG051535	2	CAP-PIPE,0.75NPT PP	
2	AG051884	2	TEE 1.00 304SS	
3	AG129187	AR	PIPE SEALANT-POLY SEAL	
4	AG233237	2	TUBE BOOM 20 MIDDLE IN 71.00	
5	AG562712	2	BUSHING 1.00MNPTX0.75FNPT 304S	
6	AG710516	1	NIPPLE 1.00NPTX CLS 304SS	
7	AG845079	2	NIPPLE KING 1.00 316SS	

WWW.ROLTRONIK.PL



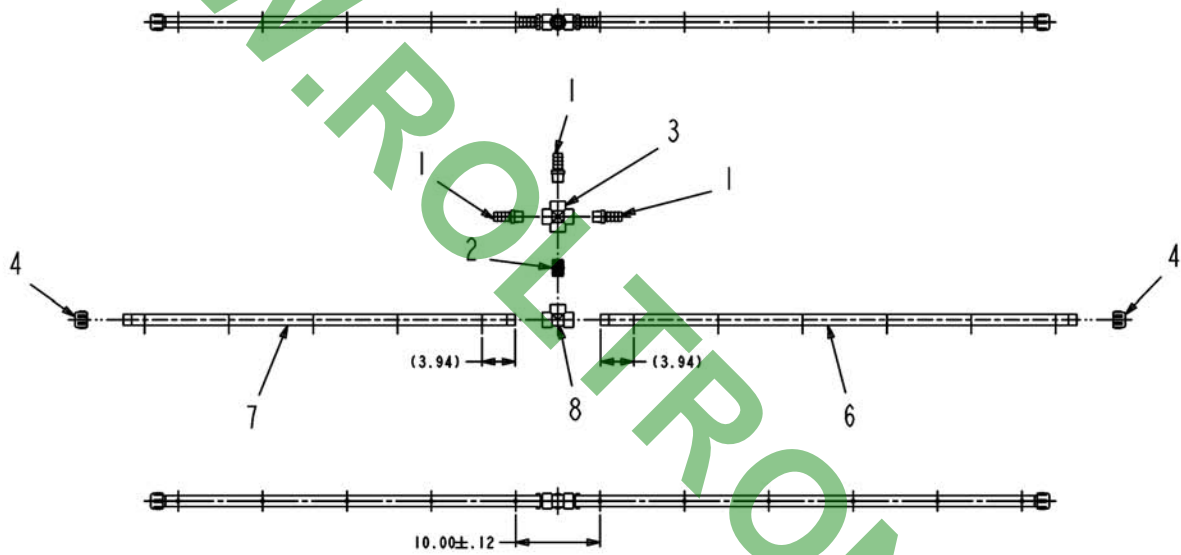
ITEM	PART #	QTY	DESCRIPTION	COMMENTS
1	AG051535	2	CAP-PIPE,0.75NPT PP	
2	AG051884	1	TEE 1.00 304SS	
3	AG129187	AR	PIPE SEALANT-POLY SEAL	
4	AG217489	2	TUBE BOOM SPLIT	
5	AG562304	1	ELBOW 90D 1.00X1.00 S.S. 304	
6	AG562712	2	BUSHING 1.00MNPTX0.75FNPT 304S	
7	AG710516	1	NIPPLE 1.00NPTX CLS 304SS	
8	AG845079	1	NIPPLE KING 1.00 316SS	

WWW.ROLTRONIK.PL



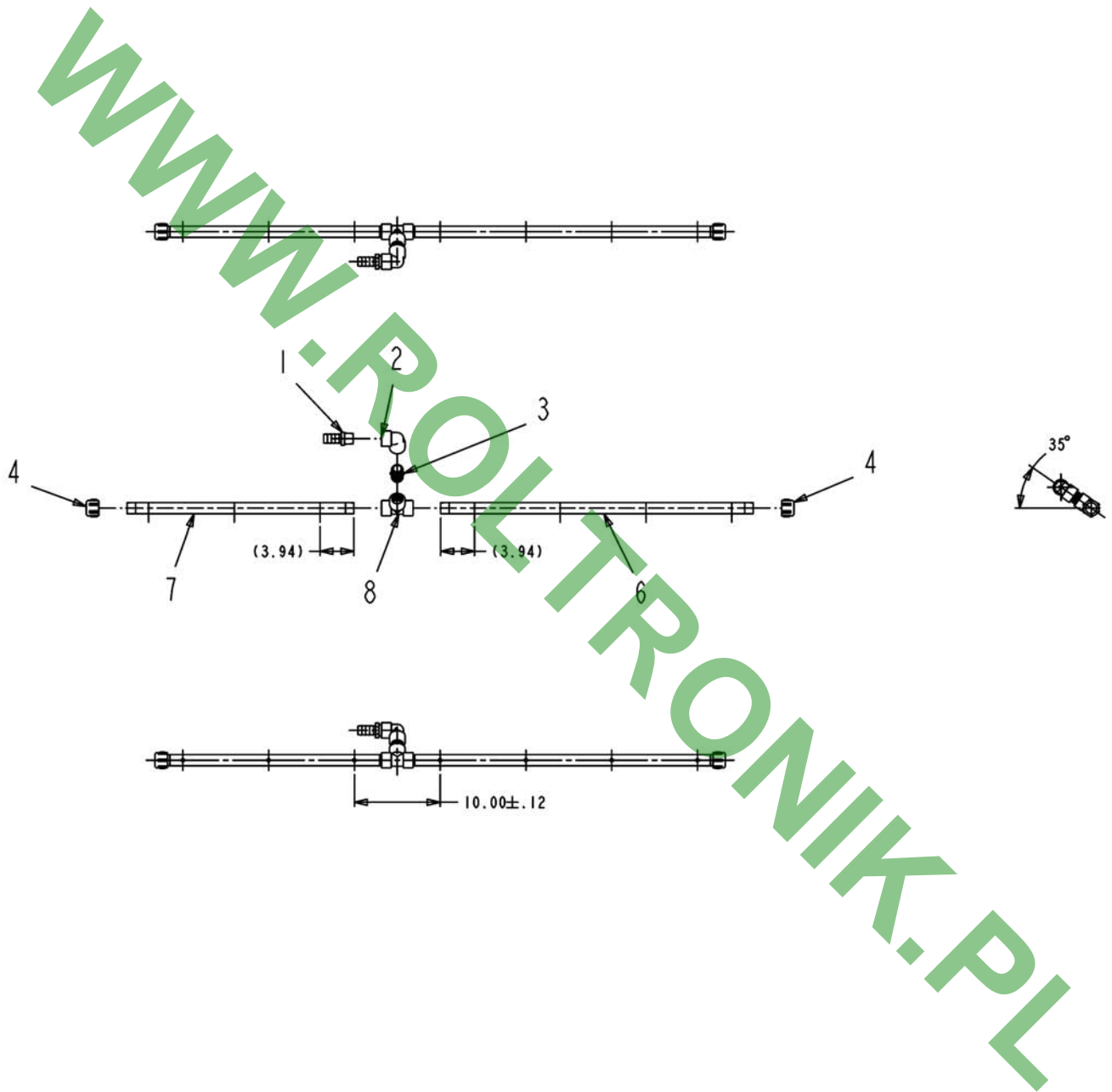
ITEM	PART #	QTY	DESCRIPTION	COMMENTS
1	AG051535	2	CAP-PIPE,0.75NPT PP	
2	AG051884	1	TEE 1.00 304SS	
3	AG129187	AR	PIPE SEALANT-POLY SEAL	
4	AG217616	1	TUBE BOOM 20 INNER OUT 46.00	
5	AG217622	1	TUBE BOOM 20 TIP OUTER 56.00	
6	AG562304	1	ELBOW 90D 1.00X1.00 S.S. 304	
7	AG562712	2	BUSHING 1.00MNPTX0.75FNPT 304S	
8	AG710516	1	NIPPLE 1.00NPTX CLS 304SS	
9	AG845079	1	NIPPLE KING 1.00 316SS	

WWW.ROLTRONIK.PL



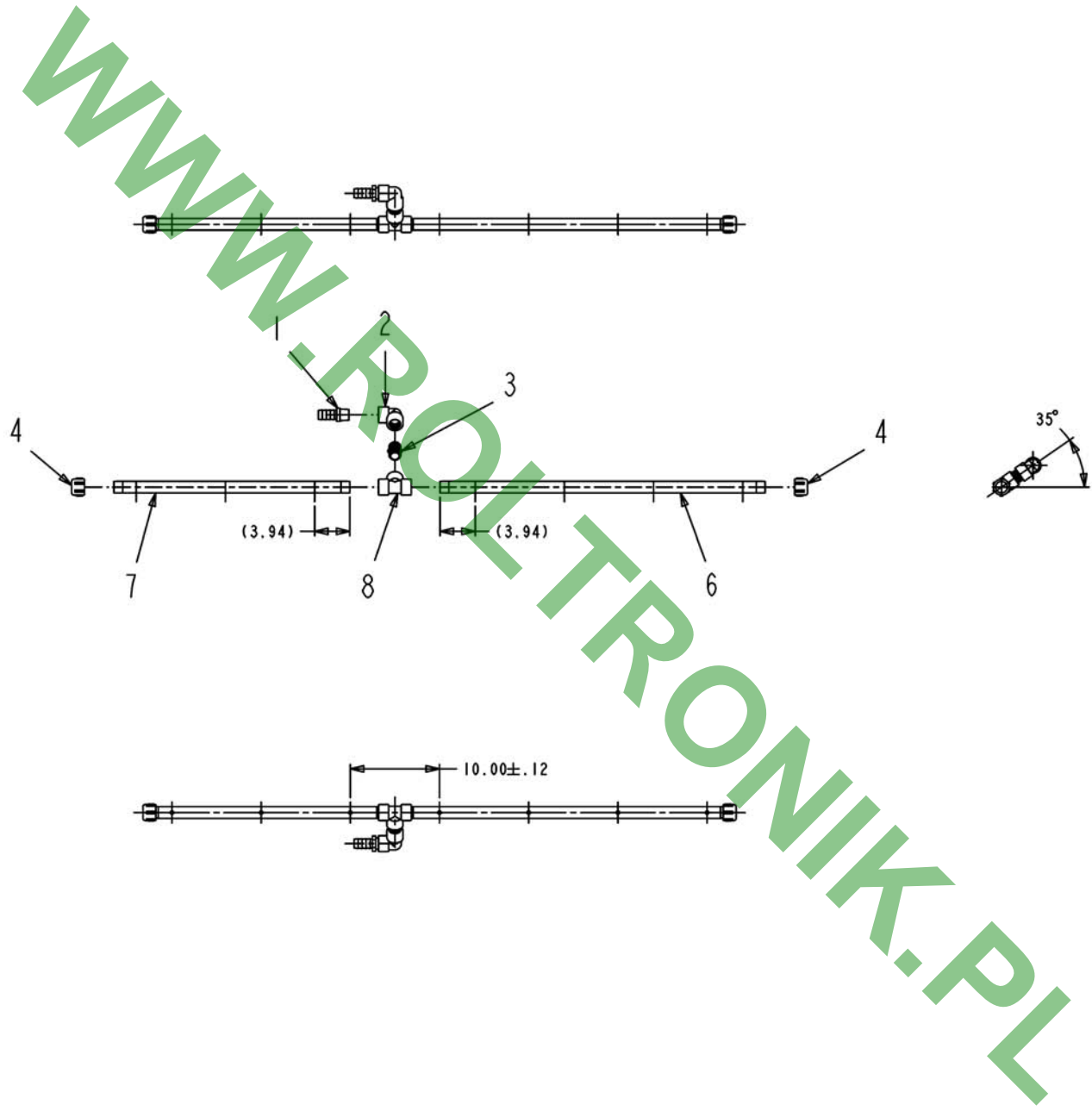
ITEM	PART #	QTY	DESCRIPTION	COMMENTS
1	AG051059	3	BARB-HOSE,1.00MNPTX1.00BARB,PP	
2	AG051153	1	NIPPLE-PIPE,1.00NPTXCLS,PP	
3	AG051442	1	CROSS-PIPE,1.00FNPT,PP	
4	AG051536	2	CAP-PIPE,1.00NPT PP	
5	AG129187	AR	PIPE SEALANT-POLY SEAL	
6	AG239937	1	TUBE-POLY,56.44,10IN CTR	
7	AG239938	1	TUBE-POLY,46.44,10IN CTR	
8	AG516405	1	TEE,PIPE,1.00FNPT,PP	

WWW.ROLTRONIK.PL



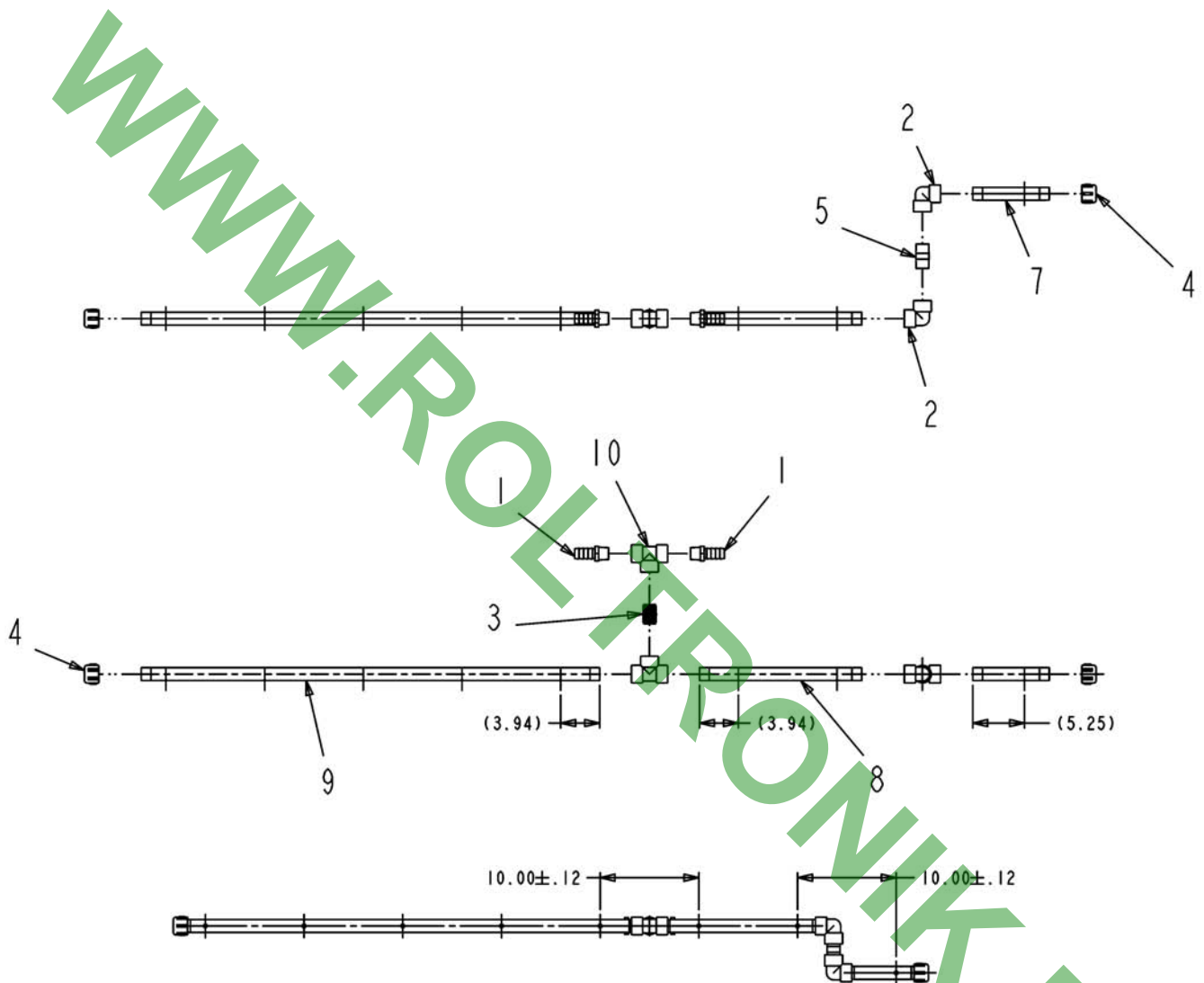
ITEM	PART #	QTY	DESCRIPTION	COMMENTS
1	AG051059	1	BARB-HOSE,1.00MNPTX1.00BARB,PP	
2	AG051127	1	ELBOW-PIPE,1.00FNPT,90D,PP	
3	AG051153	1	NIPPLE-PIPE,1.00NPTXCLS,PP	
4	AG051536	2	CAP-PIPE,1.00NPT PP	
5	AG129187	AR	PIPE SEALANT-POLY SEAL	
6	AG239935	1	TUBE-POLY,36.44,10IN CTR	
7	AG239936	1	TUBE-POLY,26.44,10IN CTR	
8	AG516405	1	TEE,PIPE,1.00FNPT,PP	

WWW.ROLTRONIK.PL



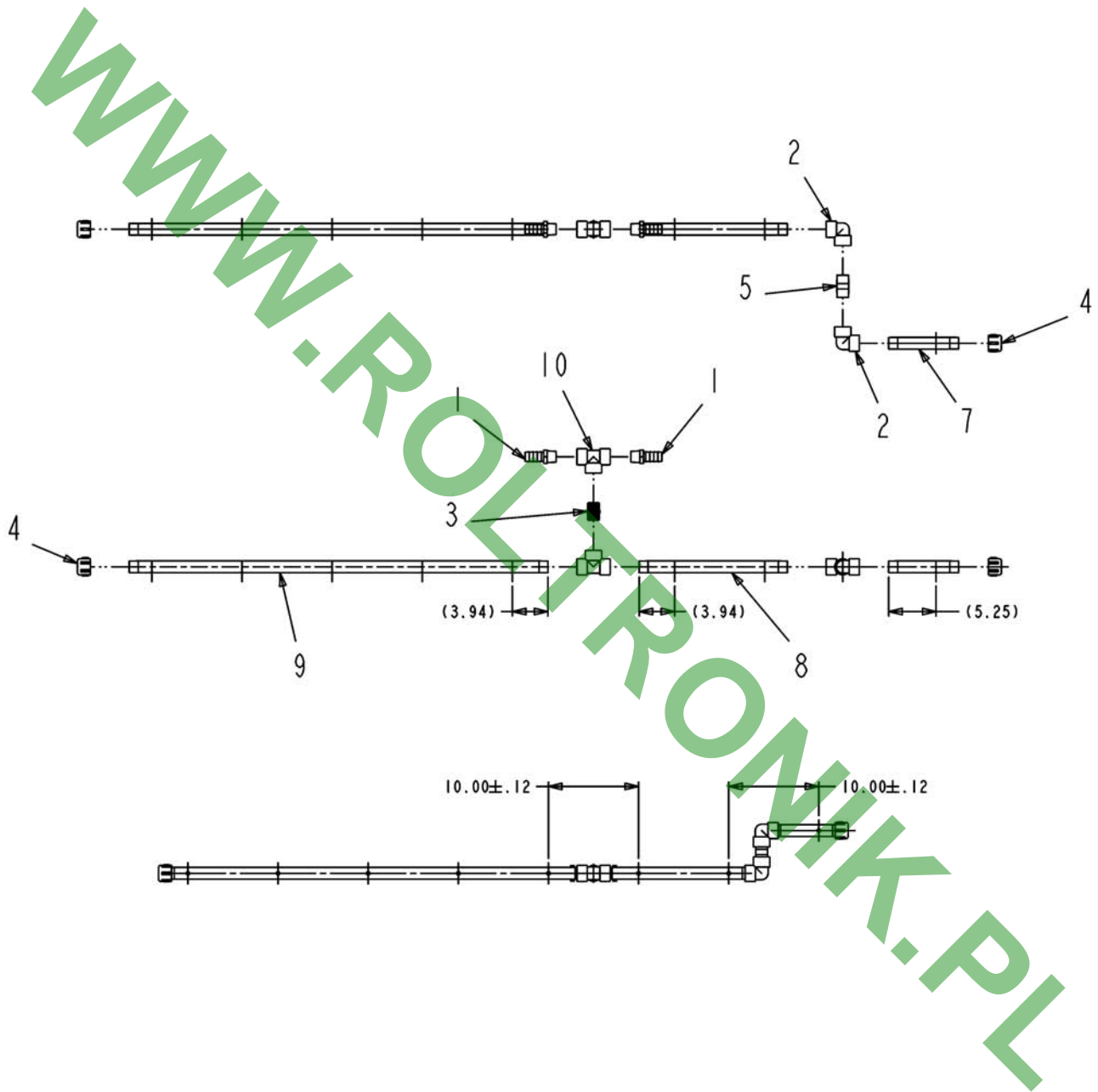
ITEM	PART #	QTY	DESCRIPTION	COMMENTS
1	AG051059	1	BARB-HOSE,1.00MNPTX1.00BARB,PP	
2	AG051127	1	ELBOW-PIPE,1.00FNPT,90D,PP	
3	AG051153	1	NIPPLE-PIPE,1.00NPTXCLS,PP	
4	AG051536	2	CAP-PIPE,1.00NPT PP	
5	AG129187	AR	PIPE SEALANT-POLY SEAL	
6	AG239935	1	TUBE-POLY,36.44,10IN CTR	
7	AG239936	1	TUBE-POLY,26.44,10IN CTR	
8	AG516405	1	TEE,PIPE,1.00FNPT,PP	

WWW.ROLTRONIK.PL



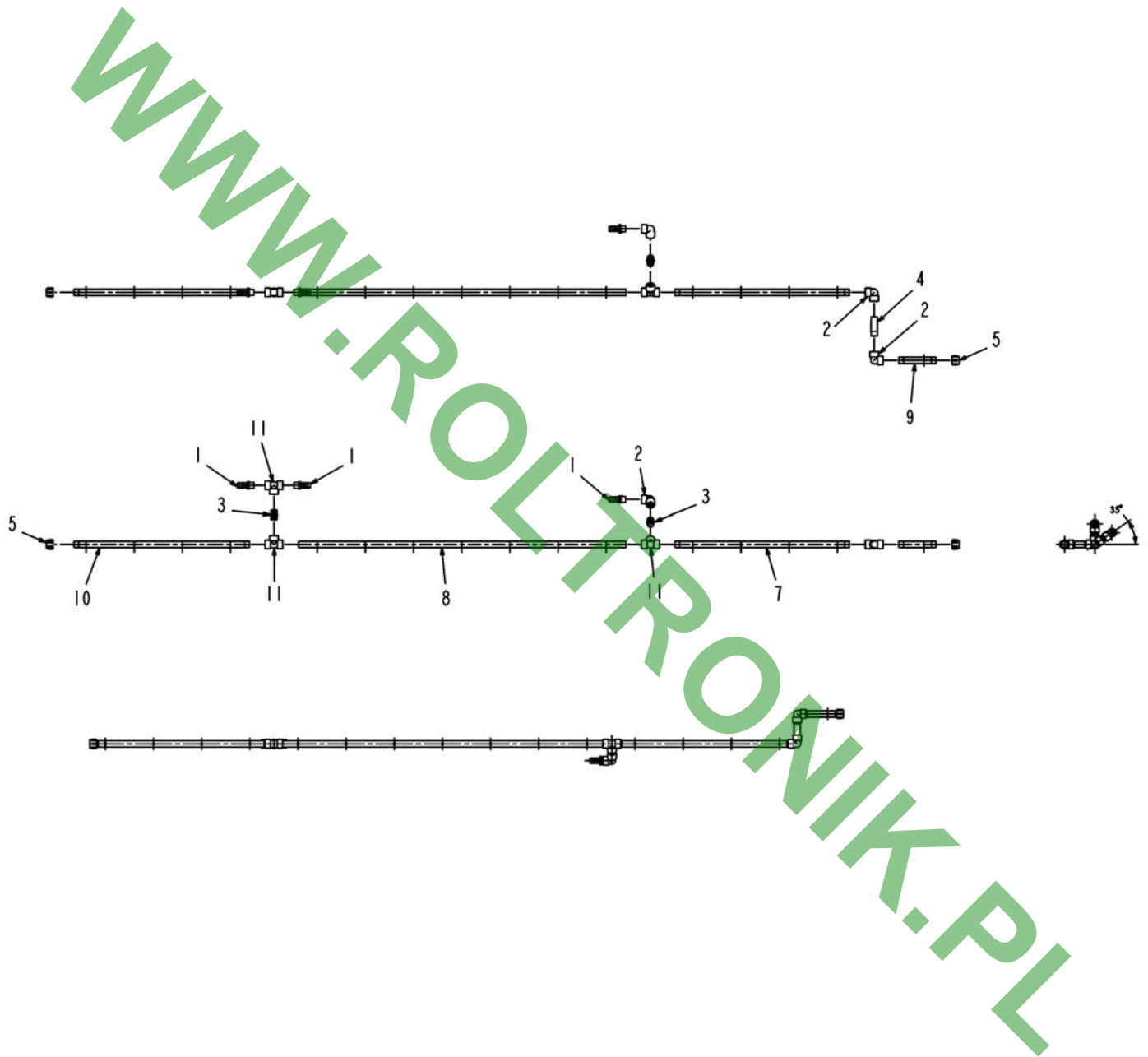
ITEM	PART #	QTY	DESCRIPTION	COMMENTS
1	AG051059	2	BARB-HOSE,1.00MNPTX1.00BARB,PP	
2	AG051127	2	ELBOW-PIPE,1.00FNPT,90D,PP	
3	AG051153	1	NIPPLE-PIPE,1.00NPTXCLS,PP	
4	AG051536	2	CAP-PIPE,1.00NPT PP	
5	AG051904	1	NIPPLE 1.00X2.50 304SS	
6	AG129187	AR	PIPE SEALANT-POLY SEAL	
7	AG239933	1	TUBE-POLY,7.75,10IN CTR	
8	AG239934	1	TUBE-POLY,16.44,10IN CTR	
9	AG239938	1	TUBE-POLY,46.44,10IN CTR	
10	AG516405	2	TEE,PIPE,1.00FNPT,PP	

WWW.ROLTRONIK.PL



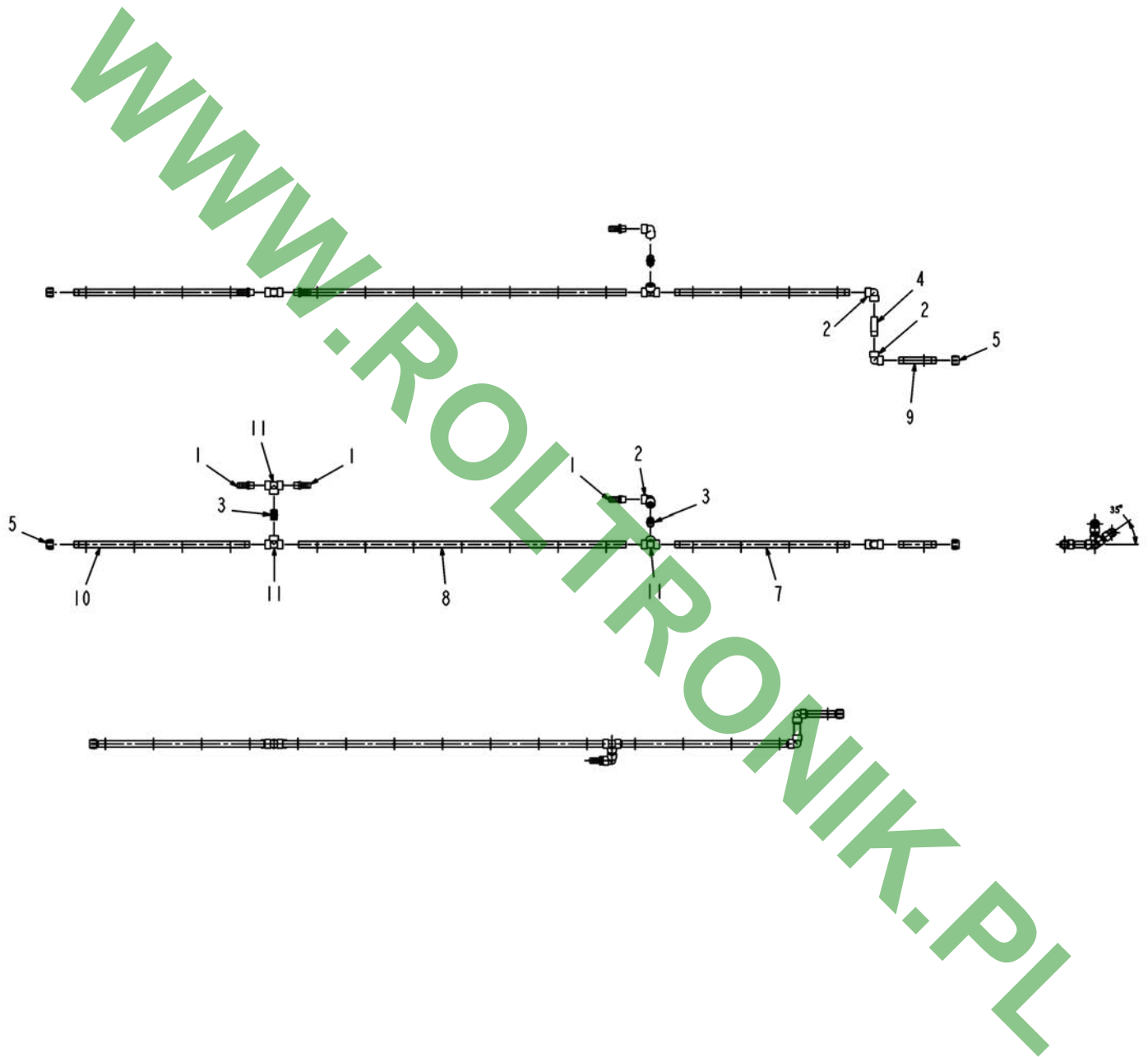
ITEM	PART #	QTY	DESCRIPTION	COMMENTS
1	AG051059	2	BARB-HOSE,1.00MNPTX1.00BARB,PP	
2	AG051127	2	ELBOW-PIPE,1.00FNPT,90D,PP	
3	AG051153	1	NIPPLE-PIPE,1.00NPTXCLS,PP	
4	AG051536	2	CAP-PIPE,1.00NPT PP	
5	AG051904	1	NIPPLE 1.00X2.50 304SS	
6	AG129187	AR	PIPE SEALANT-POLY SEAL	
7	AG239933	1	TUBE-POLY,7.75,10IN CTR	
8	AG239934	1	TUBE-POLY,16.44,10IN CTR	
9	AG239938	1	TUBE-POLY,46.44,10IN CTR	
10	AG516405	2	TEE,PIPE,1.00FNPT,PP	

WWW.ROLTRONIK.PL



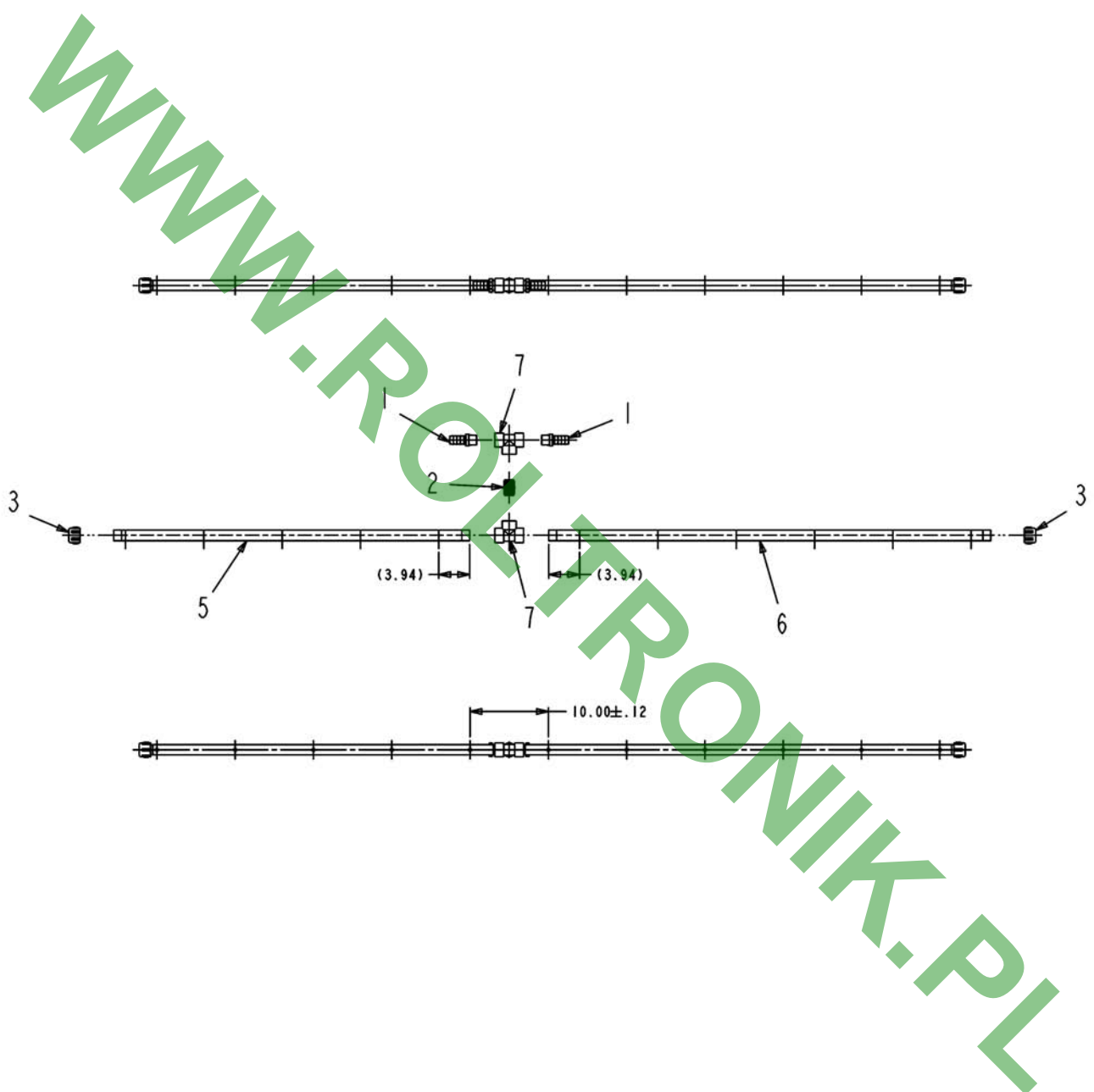
ITEM	PART #	QTY	DESCRIPTION	COMMENTS
1	AG051059	3	BARB-HOSE,1.00MNPTX1.00BARB,PP	
2	AG051127	3	ELBOW-PIPE,1.00FNPT,90D,PP	
3	AG051153	2	NIPPLE-PIPE,1.00NPTXCLS,PP	
4	AG051155	1	NIPPLE-PIPE,1.00NPTX4.00,PP	
5	AG051536	2	CAP-PIPE,1.00NPT PP	
6	AG129187	AR	PIPE SEALANT-POLY SEAL	
7	AG239931	1	TUBE-POLY,36.25,10IN CTR	
8	AG239932	1	TUBE-POLY,68.00,10IN CTR	
9	AG239933	1	TUBE-POLY,7.75,10IN CTR	
10	AG239935	1	TUBE-POLY,36.44,10IN CTR	
11	AG516405	3	TEE,PIPE,1.00FNPT,PP	

WWW.ROLTRONIK.PL



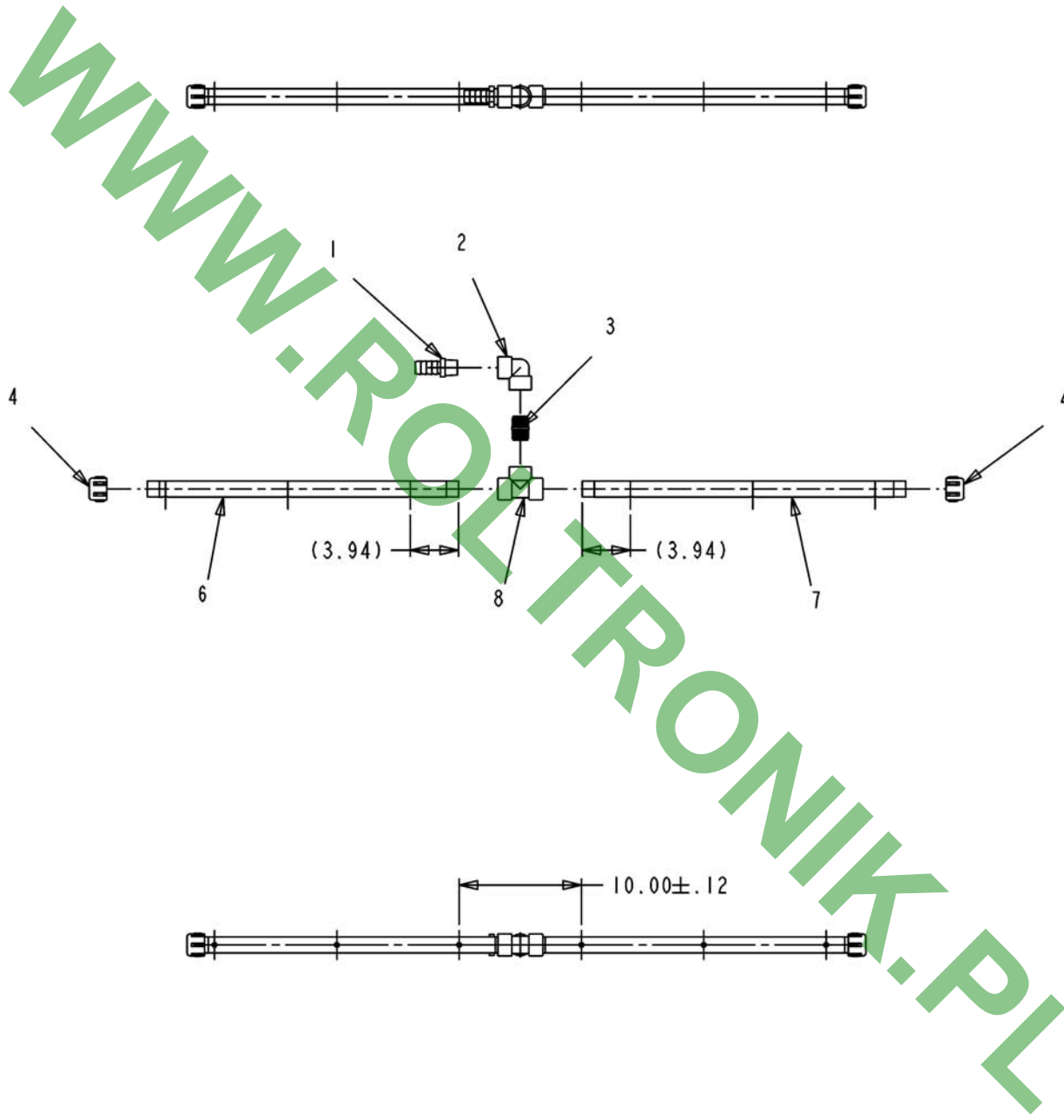
ITEM	PART #	QTY	DESCRIPTION	COMMENTS
1	AG051059	3	BARB-HOSE,1.00MNPTX1.00BARB,PP	
2	AG051127	3	ELBOW-PIPE,1.00FNPT,90D,PP	
3	AG051153	2	NIPPLE-PIPE,1.00NPTXCLS,PP	
4	AG051155	1	NIPPLE-PIPE,1.00NPTX4.00,PP	
5	AG051536	2	CAP-PIPE,1.00NPT PP	
6	AG129187	AR	PIPE SEALANT-POLY SEAL	
7	AG239931	1	TUBE-POLY,36.25,10IN CTR	
8	AG239932	1	TUBE-POLY,68.00,10IN CTR	
9	AG239933	1	TUBE-POLY,7.75,10IN CTR	
10	AG239935	1	TUBE-POLY,36.44,10IN CTR	
11	AG516405	3	TEE,PIPE,1.00FNPT,PP	

WWW.ROLTRONIK.PL



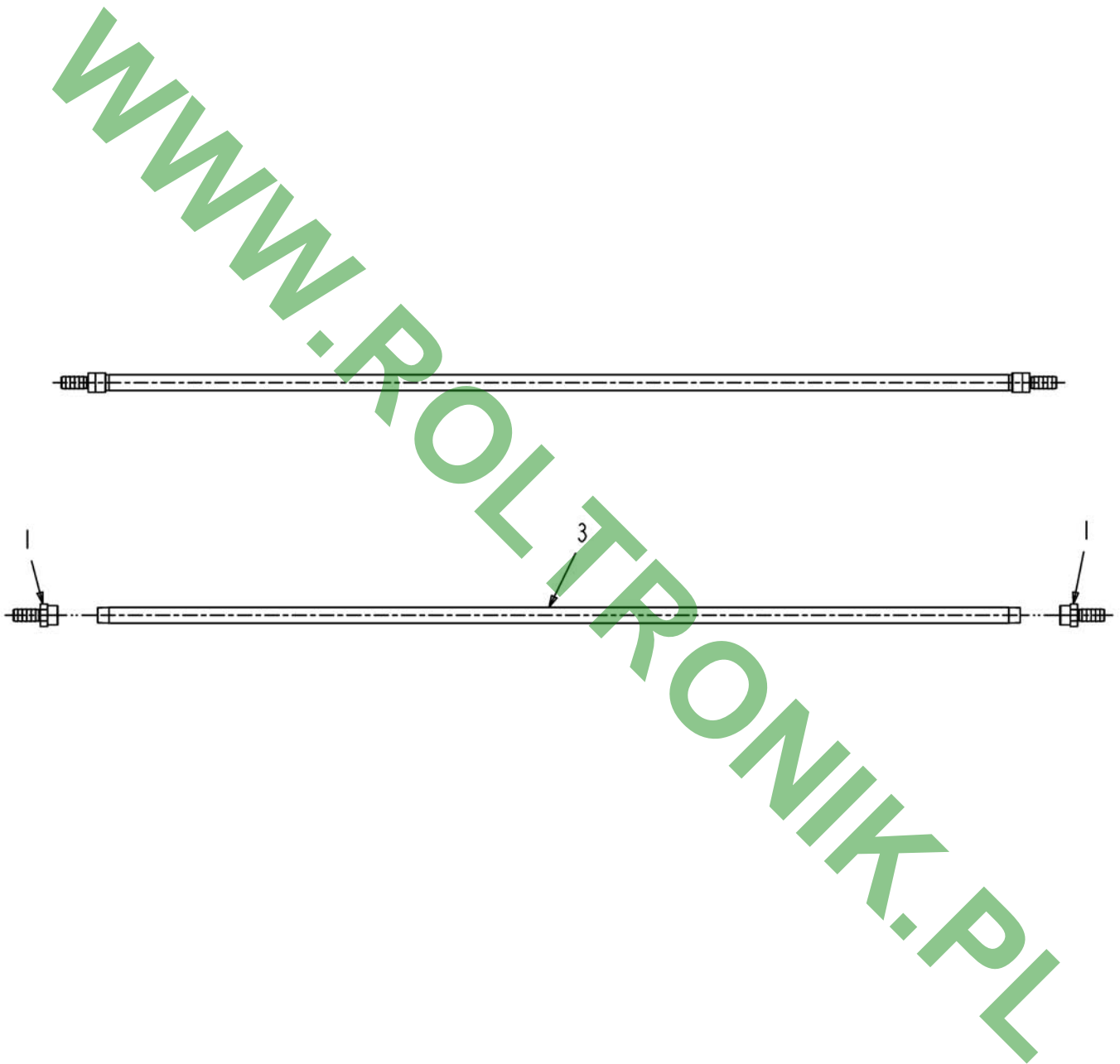
ITEM	PART #	QTY	DESCRIPTION	COMMENTS
1	AG051059	2	BARB-HOSE,1.00MNPTX1.00BARB,PP	
2	AG051153	1	NIPPLE-PIPE,1.00NPTXCLS,PP	
3	AG051536	2	CAP-PIPE,1.00NPT PP	
4	AG129187	AR	PIPE SEALANT-POLY SEAL	
5	AG239930	1	TUBE-POLY,45.44,10IN CTR	
6	AG239937	1	TUBE-POLY,56.44,10IN CTR	
7	AG516405	2	TEE,PIPE,1.00FNPT,PP	

WWW.ROLTRONIK.PL



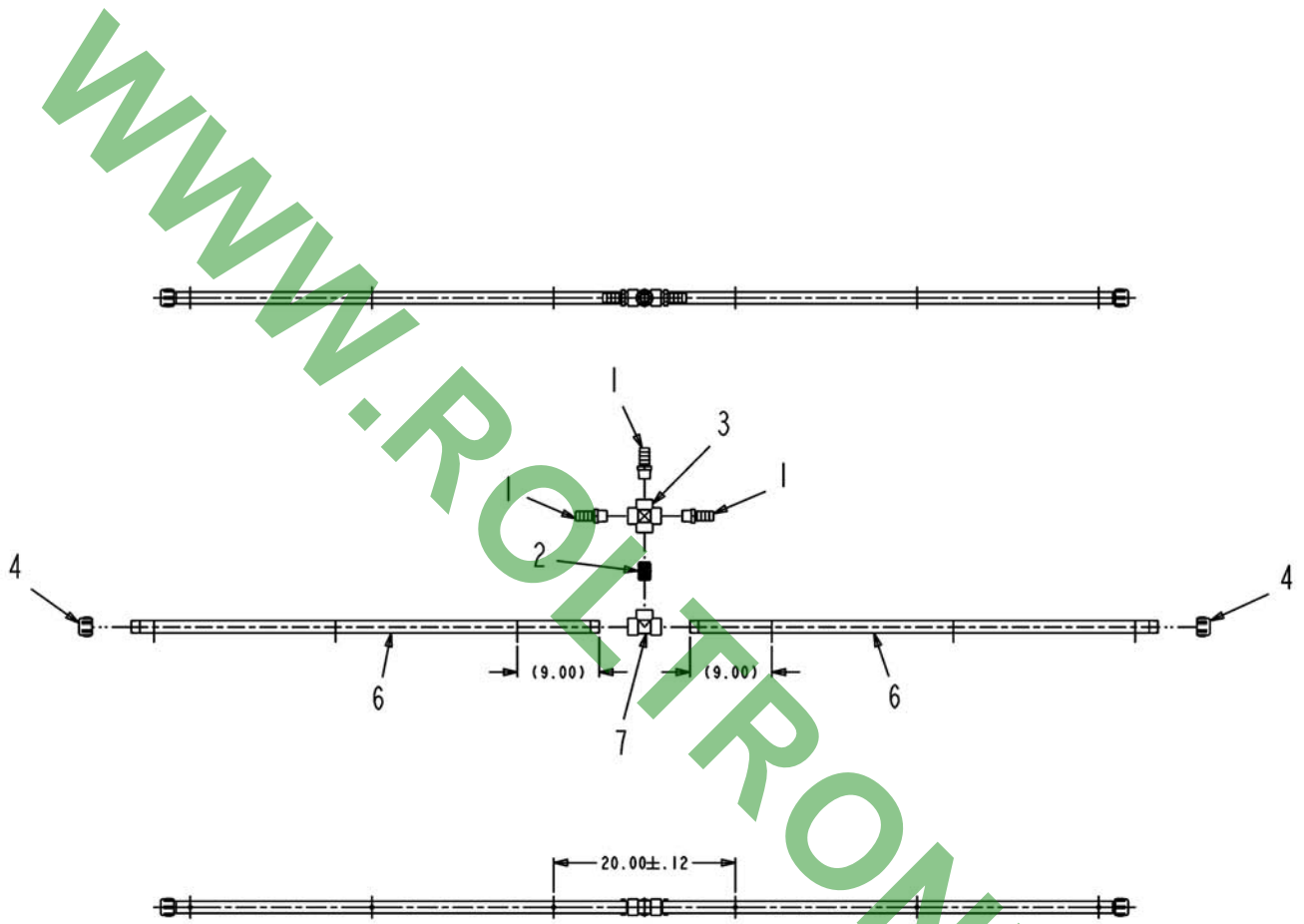
ITEM	PART #	QTY	DESCRIPTION	COMMENTS
1	AG051059	2	BARB-HOSE,1.00MNPTX1.00BARB,PP	
2	AG051127	1	ELBOW-PIPE,1.00FNPT,90D,PP	
3	AG051153	1	NIPPLE-PIPE,1.00NPTXCLS,PP	
4	AG051536	2	CAP-PIPE,1.00NPT PP	
5	AG129187	AR	PIPE SEALANT-POLY SEAL	
6	AG239929	1	TUBE-POLY,25.44,10IN CTR	
7	AG239936	1	TUBE-POLY,26.44,10IN CTR	
8	AG516405	2	TEE,PIPE,1.00FNPT,PP	

WWW.ROLTRONIK.PL



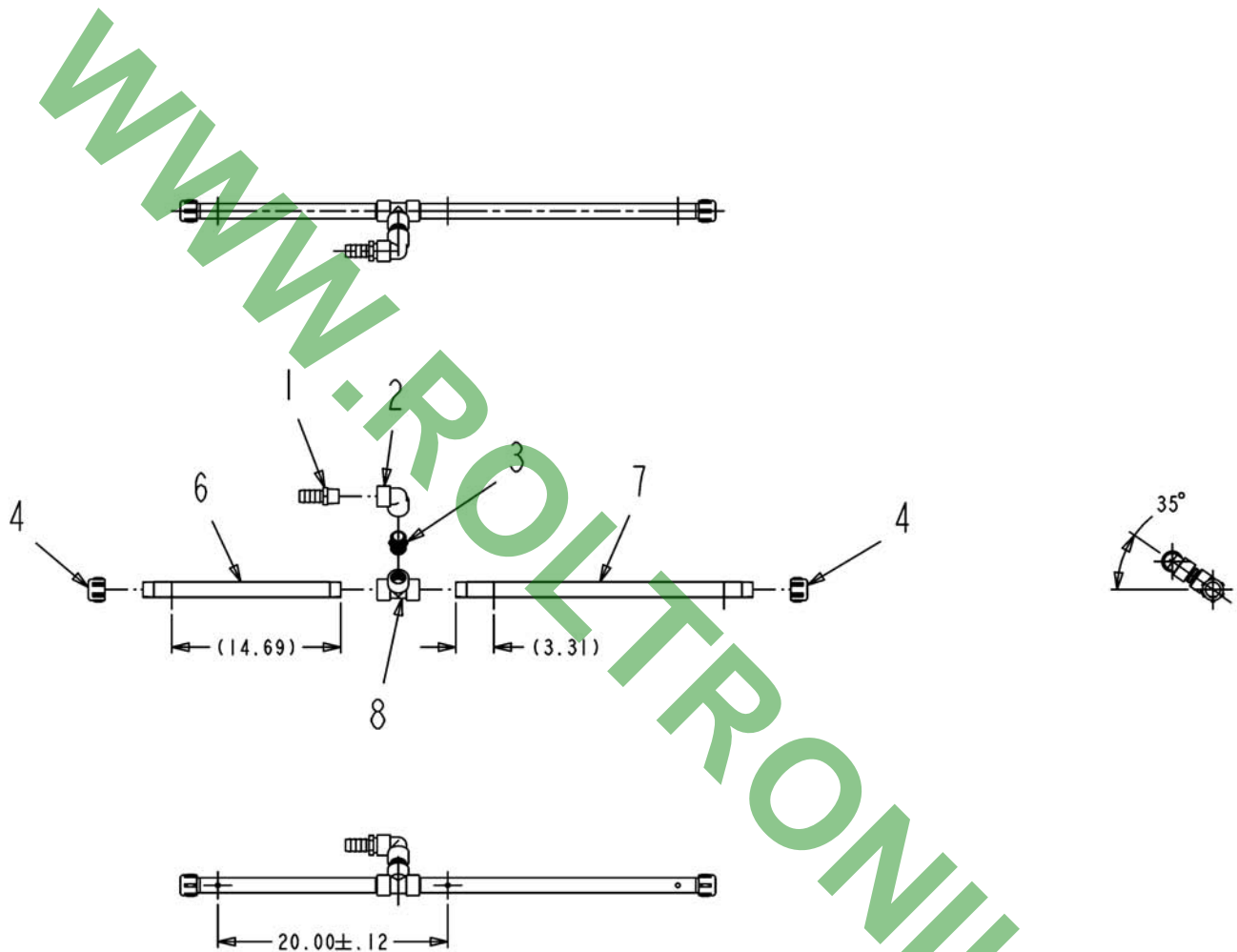
ITEM	PART #	QTY	DESCRIPTION	COMMENTS
1	AG122510	2	BARB-HOSE,1.00FNPTX1.00BARB,PP	
2	AG129187	AR	PIPE SEALANT-POLY SEAL	
3	AG234489	1	TUBE 77.00 SECTION FEED	

WWW.ROLTRONIK.PL



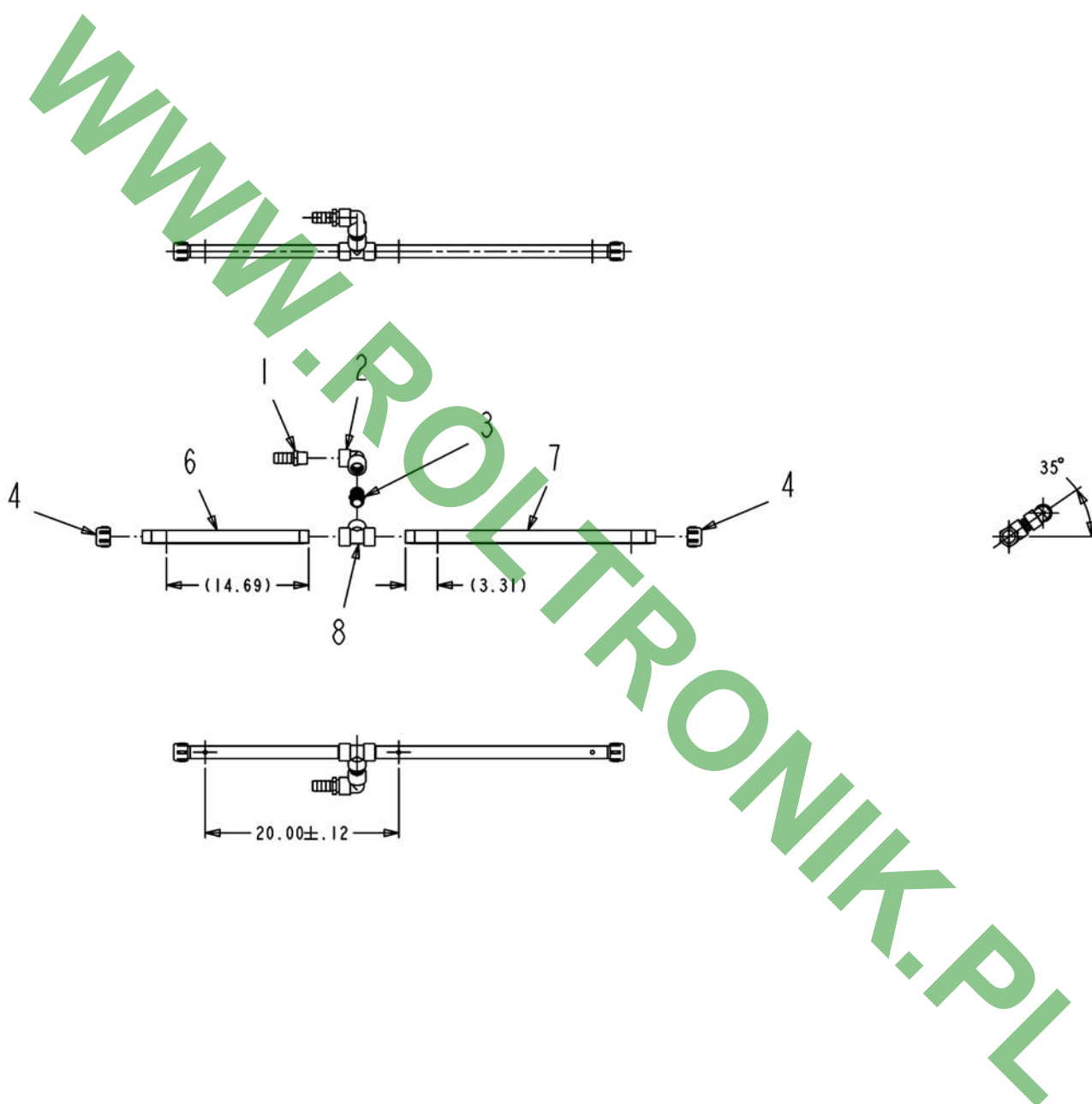
ITEM	PART #	QTY	DESCRIPTION	COMMENTS
1	AG051059	3	BARB-HOSE,1.00MNPTX1.00BARB,PP	
2	AG051153	1	NIPPLE-PIPE,1.00NPTXCLS,PP	
3	AG051442	1	CROSS-PIPE,1.00FNPT,PP	
4	AG051536	2	CAP-PIPE,1.00NPT PP	
5	AG129187	AR	PIPE SEALANT-POLY SEAL	
6	AG239721	2	TUBE-51.50,POLY	
7	AG516405	1	TEE,PIPE,1.00FNPT,PP	

WWW.ROLTRONIK.PL



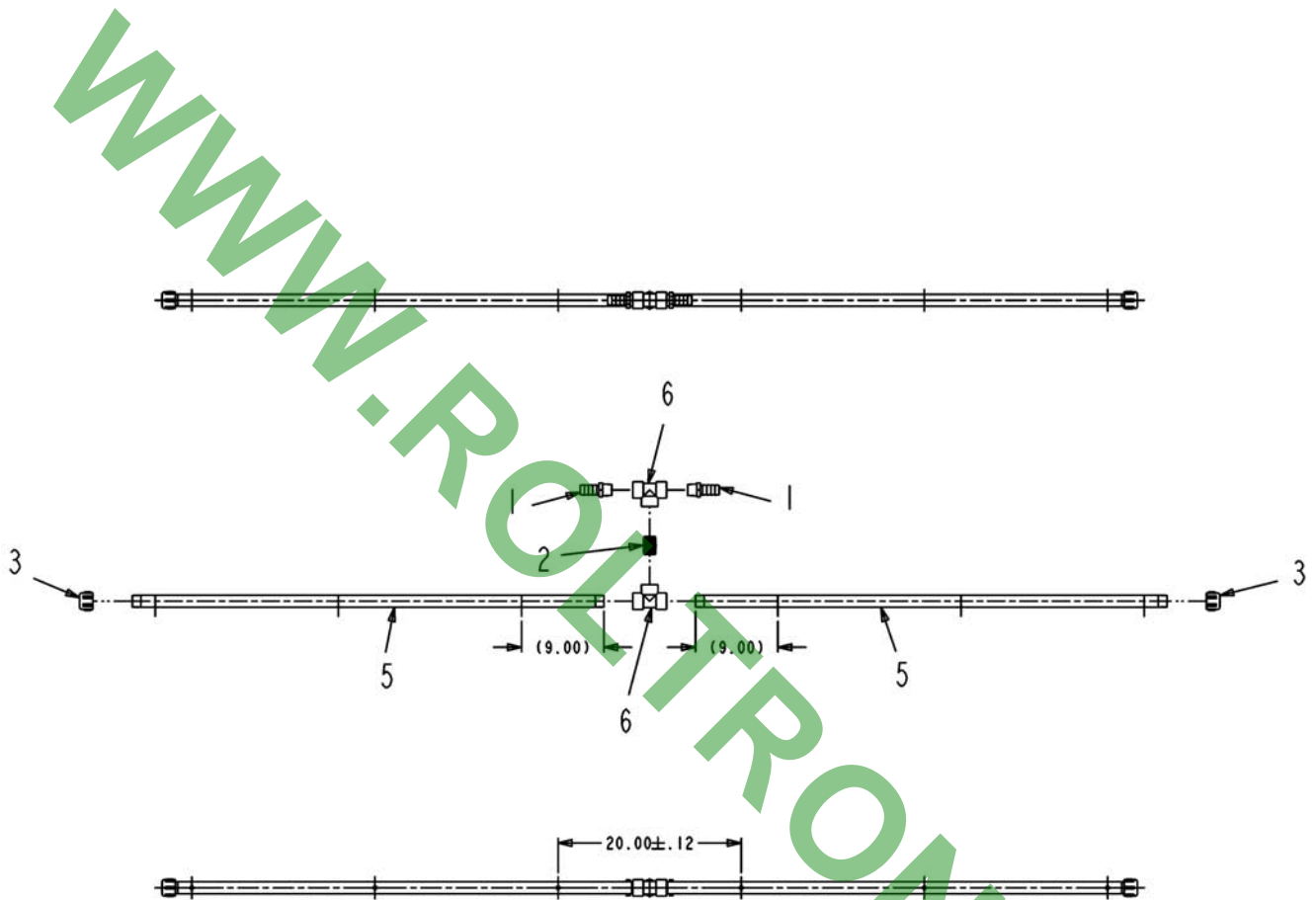
ITEM	PART #	QTY	DESCRIPTION	COMMENTS
1	AG051059	1	BARB-HOSE,1.00MNPTX1.00BARB,PP	
2	AG051127	1	ELBOW-PIPE,1.00FNPT,90D,PP	
3	AG051153	1	NIPPLE-PIPE,1.00NPTXCLS,PP	
4	AG051536	2	CAP-PIPE,1.00NPT PP	
5	AG129187	AR	PIPE SEALANT-POLY SEAL	
6	AG239722	1	TUBE-17.19,POLY	
7	AG239723	1	TUBE-25.81,POLY	
8	AG516405	1	TEE,PIPE,1.00FNPT,PP	

WWW.ROLTRONIK.PL



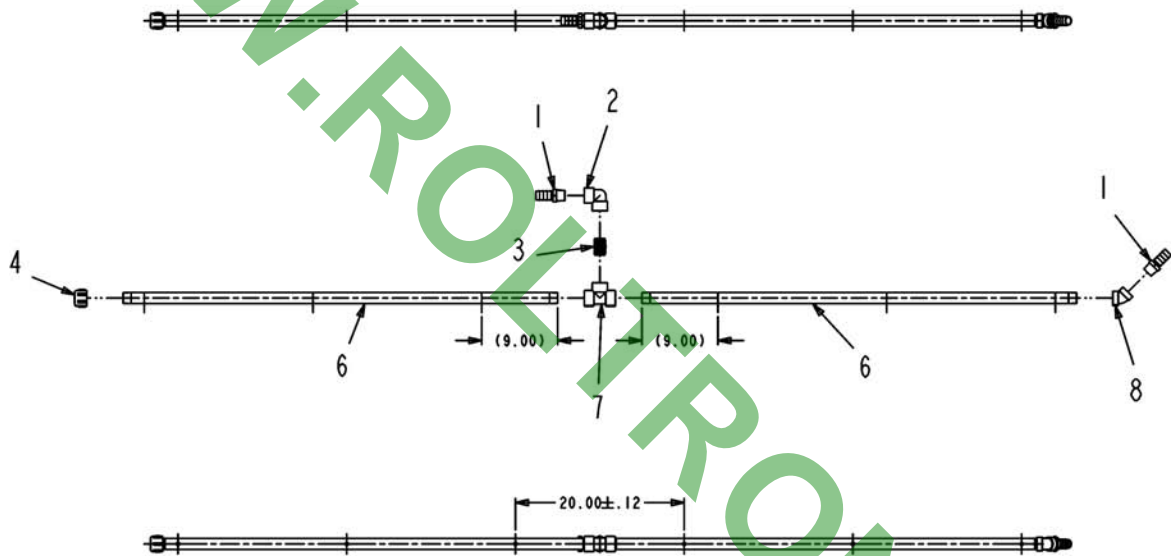
ITEM	PART #	QTY	DESCRIPTION	COMMENTS
1	AG051059	1	BARB-HOSE,1.00MNPTX1.00BARB,PP	
2	AG051127	1	ELBOW-PIPE,1.00FNPT,90D,PP	
3	AG051153	1	NIPPLE-PIPE,1.00NPTXCLS,PP	
4	AG051536	2	CAP-PIPE,1.00NPT PP	
5	AG129187	AR	PIPE SEALANT-POLY SEAL	
6	AG239722	1	TUBE-17.19,POLY	
7	AG239723	1	TUBE-25.81,POLY	
8	AG516405	1	TEE,PIPE,1.00FNPT,PP	

WWW.ROLTRONIK.PL



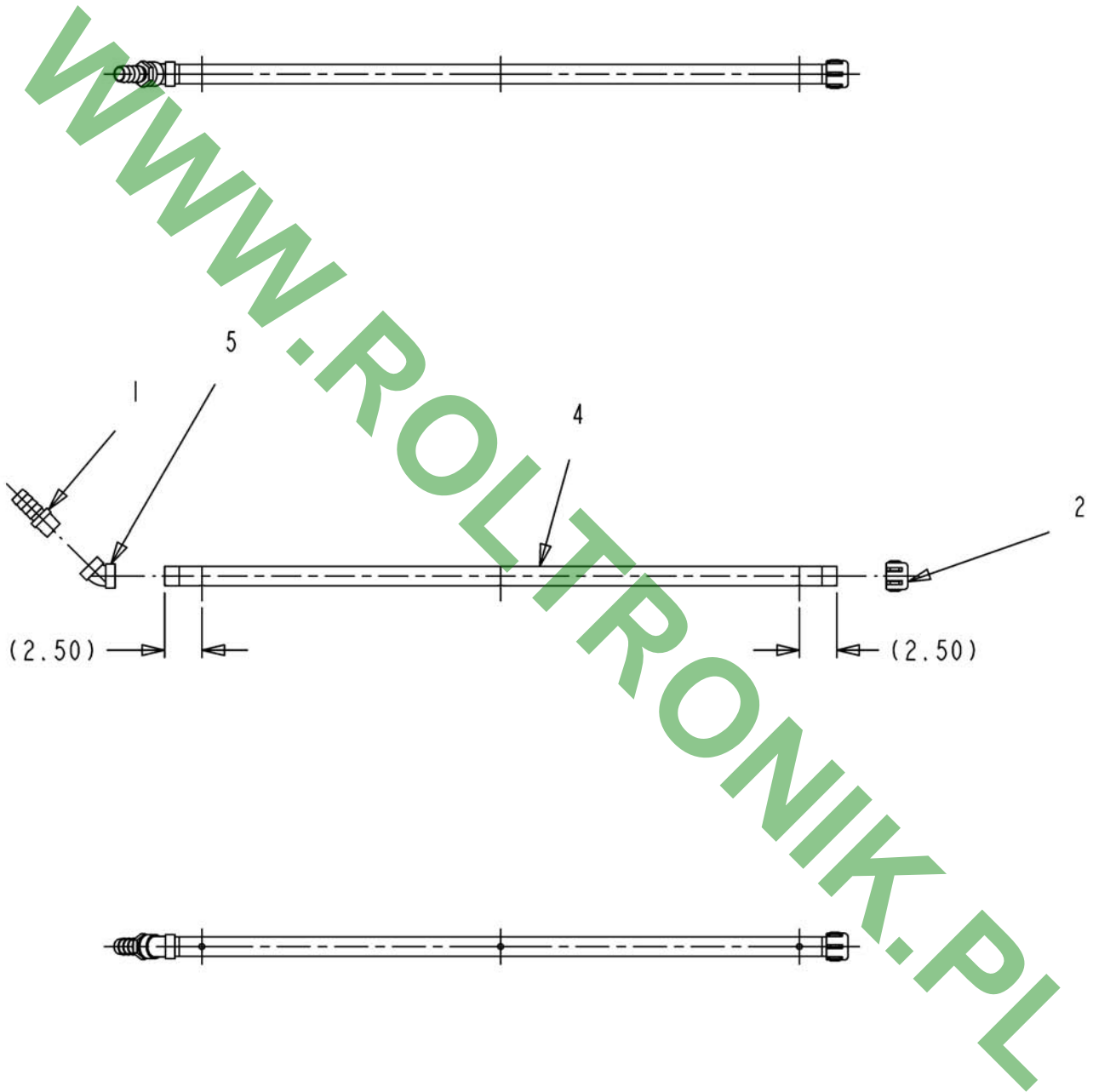
ITEM	PART #	QTY	DESCRIPTION	COMMENTS
1	AG051059	1	BARB-HOSE,1.00MNPTX1.00BARB,PP	
2	AG051153	1	NIPPLE-PIPE,1.00NPTXCLS,PP	
3	AG051536	2	CAP-PIPE,1.00NPT PP	
4	AG129187	AR	PIPE SEALANT-POLY SEAL	
5	AG239721	2	TUBE-51.50,POLY	
6	AG516405	2	TEE,PIPE,1.00FNPT,PP	

WWW.ROLTRONIK.PL



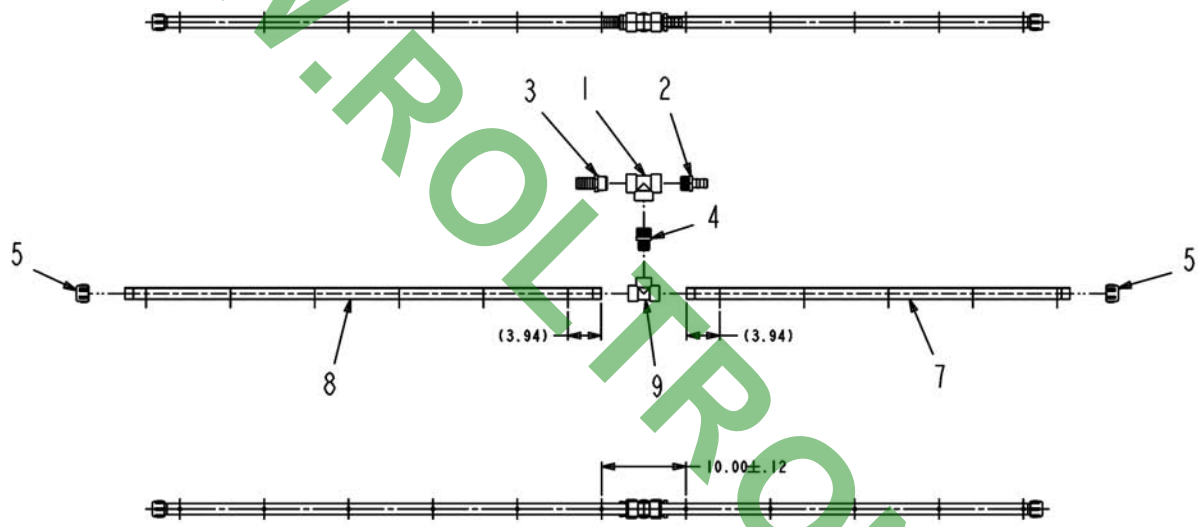
ITEM	PART #	QTY	DESCRIPTION	COMMENTS
1	AG051059	2	BARB-HOSE,1.00MNPTX1.00BARB,PP	
2	AG051127	1	ELBOW-PIPE,1.00FNPT,90D,PP	
3	AG051153	1	NIPPLE-PIPE,1.00NPTXCLS,PP	
4	AG051536	1	CAP-PIPE,1.00NPT PP	
5	AG129187	AR	PIPE SEALANT-POLY SEAL	
6	AG239721	2	TUBE-51.50,POLY	
7	AG516405	1	TEE,PIPE,1.00FNPT,PP	
8	AG519838	1	ELBOW-PIPE,1.00FNPT,45D,PP	

WWW.ROLTRONIK.PL



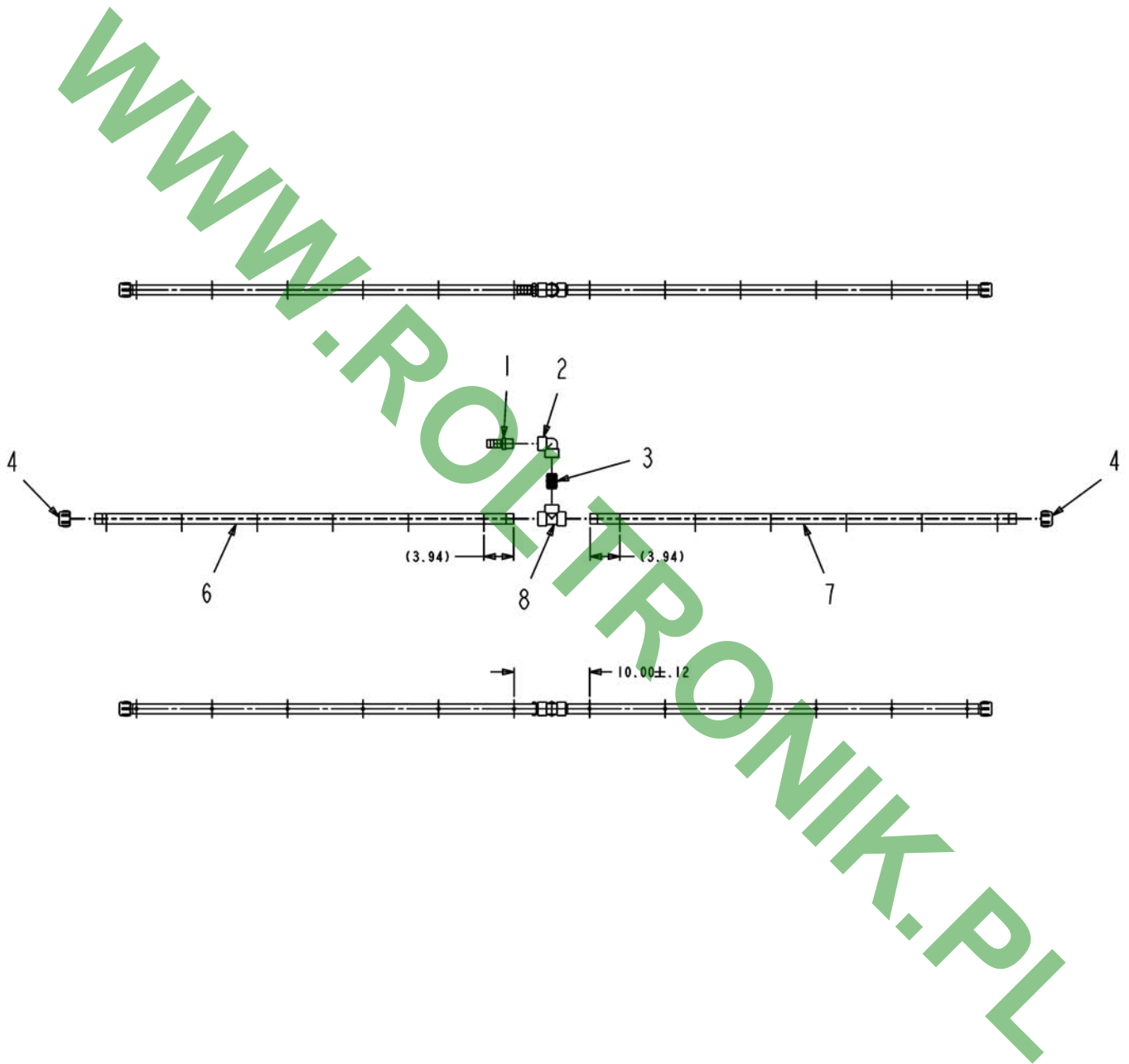
ITEM	PART #	QTY	DESCRIPTION	COMMENTS
1	AG051059	1	BARB-HOSE,1.00MNPTX1.00BARB,PP	
2	AG051536	1	CAP-PIPE,1.00NPT PP	
3	AG129187	AR	PIPE SEALANT-POLY SEAL	
4	AG235431	1	TUBE 45.00 BOOM	
5	AG519838	1	ELBOW-PIPE,1.00FNPT,45D,PP	

WWW.ROLTRONIK.PL



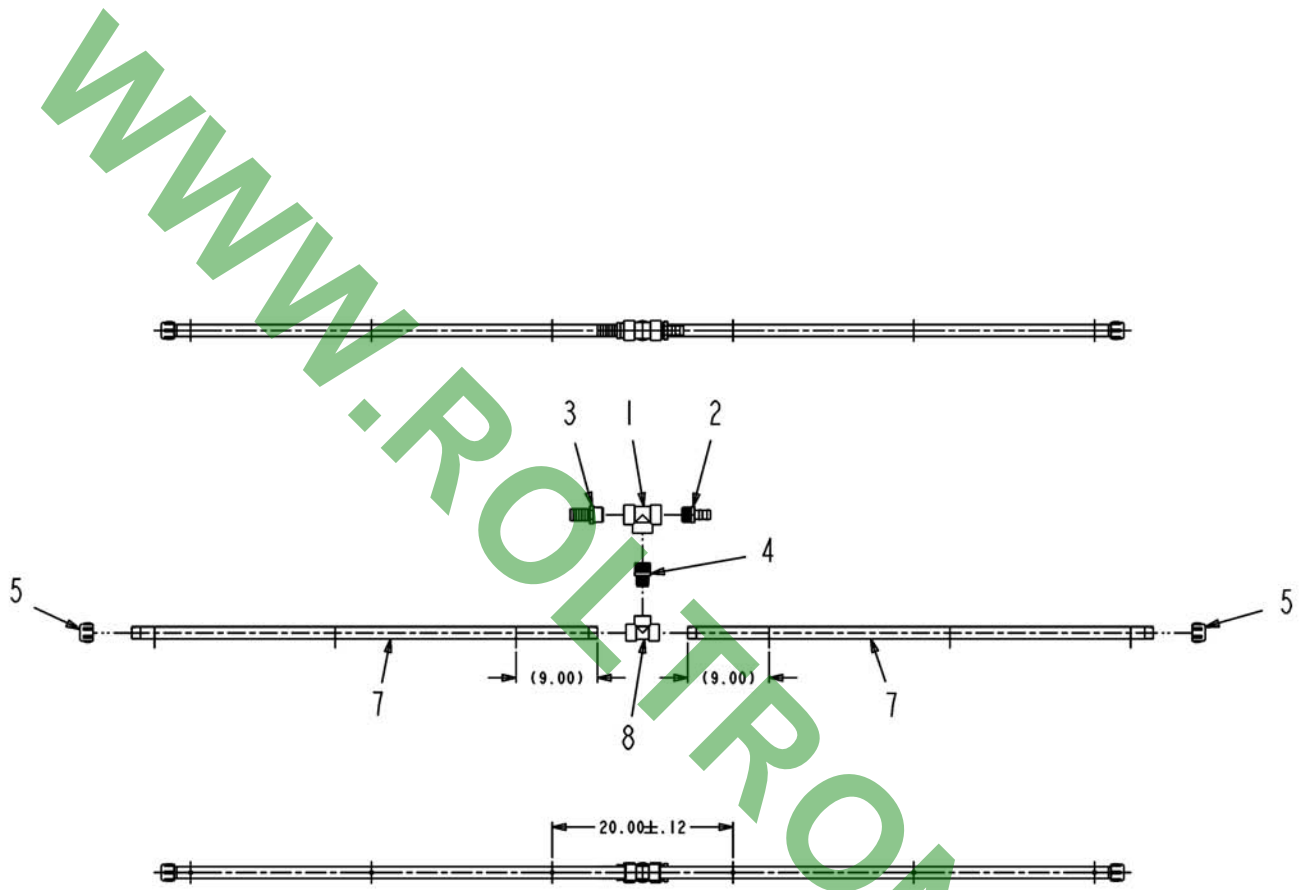
ITEM	PART #	QTY	DESCRIPTION	COMMENTS
1	AG051162	1	TEE,PIPE,1.25FNPT,PP	
2	AG051185	1	BARB-HOSE,1.25MNPTX1.00BARB,PP	
3	AG051186	1	BARB-HOSE,1.25MNPTX1.25BARB,PP	
4	AG051437	1	NIPPLE RED 1.25NPTX1.00NPT PP	[A]
5	AG051536	2	CAP-PIPE,1.00NPT PP	
6	AG129187	AR	PIPE SEALANT-POLY SEAL	
7	AG239930	1	TUBE-POLY,45.44,10IN CTR	
8	AG239937	1	TUBE-POLY,56.44,10IN CTR	
9	AG516405	1	TEE,PIPE,1.00FNPT,PP	
	FOOTNOTE [A]		REPLACED BY AG050280	

WWW.ROLTRONIK.PL



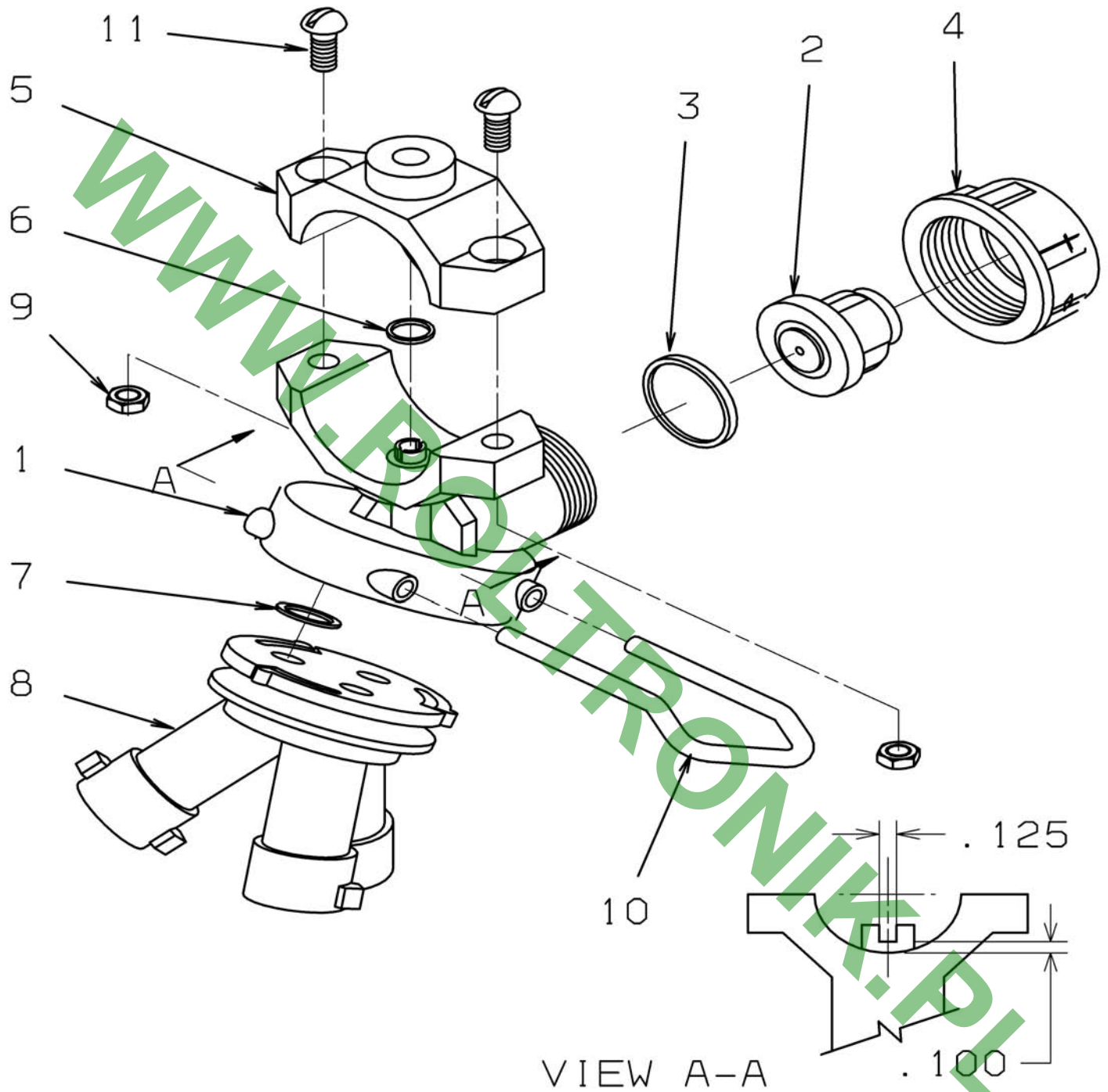
ITEM	PART #	QTY	DESCRIPTION	COMMENTS
1	AG051059	1	BARB-HOSE,1.00MNPTX1.00BARB,PP	
2	AG051127	1	ELBOW-PIPE,1.00FNPT,90D,PP	
3	AG051153	1	NIPPLE-PIPE,1.00NPTXCLS,PP	
4	AG051536	2	CAP-PIPE,1.00NPT PP	
5	AG129187	AR	PIPE SEALANT-POLY SEAL	
6	AG134850	1	TUBE-PP,55.44,10IN CTR	
7	AG239937	1	TUBE-POLY,56.44,10IN CTR	
8	AG516405	1	TEE,PIPE,1.00FNPT,PP	

WWW.ROLTRONIK.PL



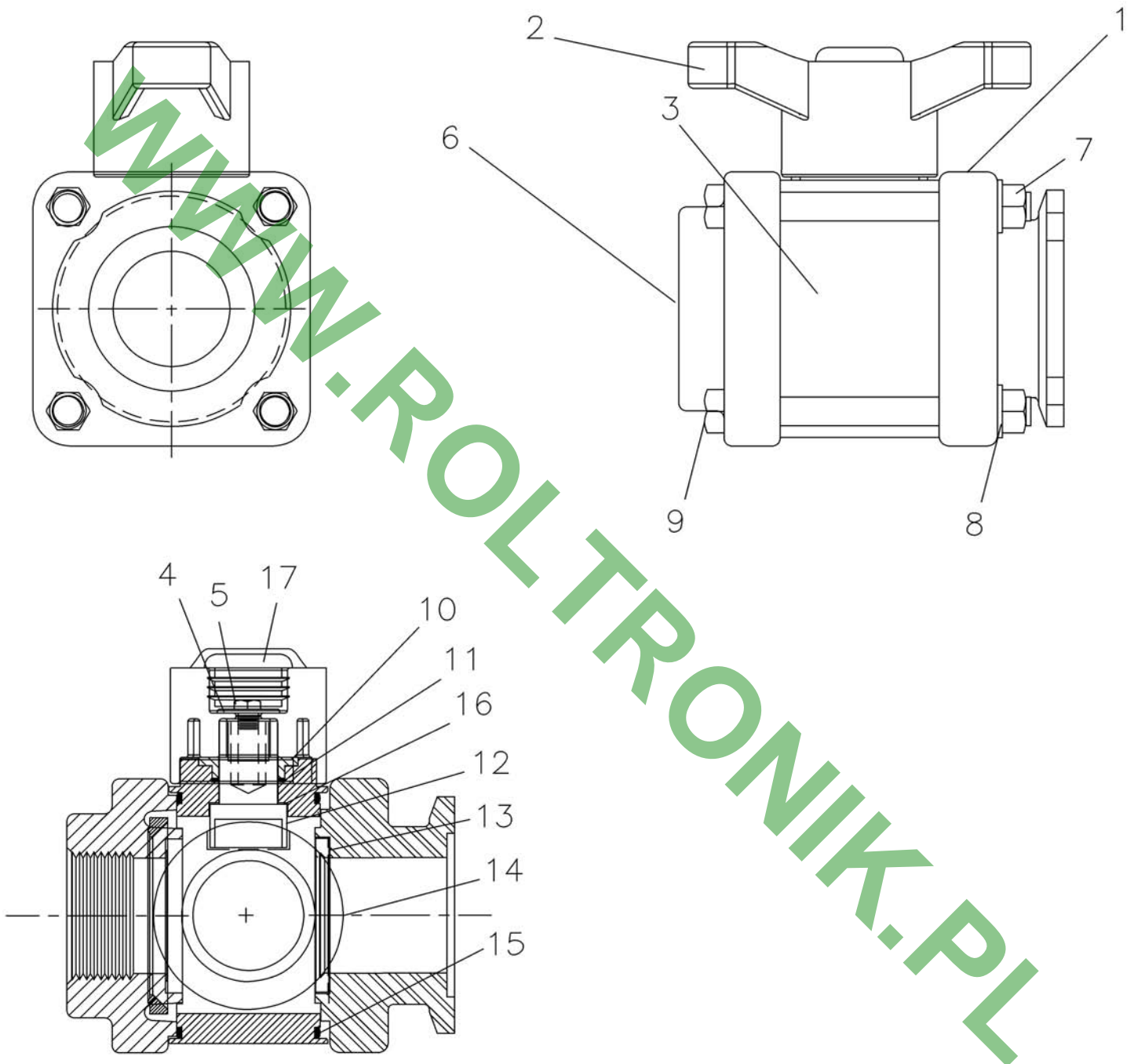
ITEM	PART #	QTY	DESCRIPTION	COMMENTS
1	AG051162	1	TEE,PIPE,1.25FNPT,PP	
2	AG051185	1	BARB-HOSE,1.25MNPTX1.00BARB,PP	
3	AG051186	1	BARB-HOSE,1.25MNPTX1.25BARB,PP	
4	AG051437	1	NIPPLE RED 1.25NPTX1.00NPT PP	[A]
5	AG051536	2	CAP-PIPE,1.00NPT PP	
6	AG129187	AR	PIPE SEALANT-POLY SEAL	
7	AG239721	2	TUBE-51.50,POLY	
8	AG516405	1	TEE,PIPE,1.00FNPT,PP	
	FOOTNOTE [A]		REPLACED BY AG050280	

WWW.ROLTRONIK.PL



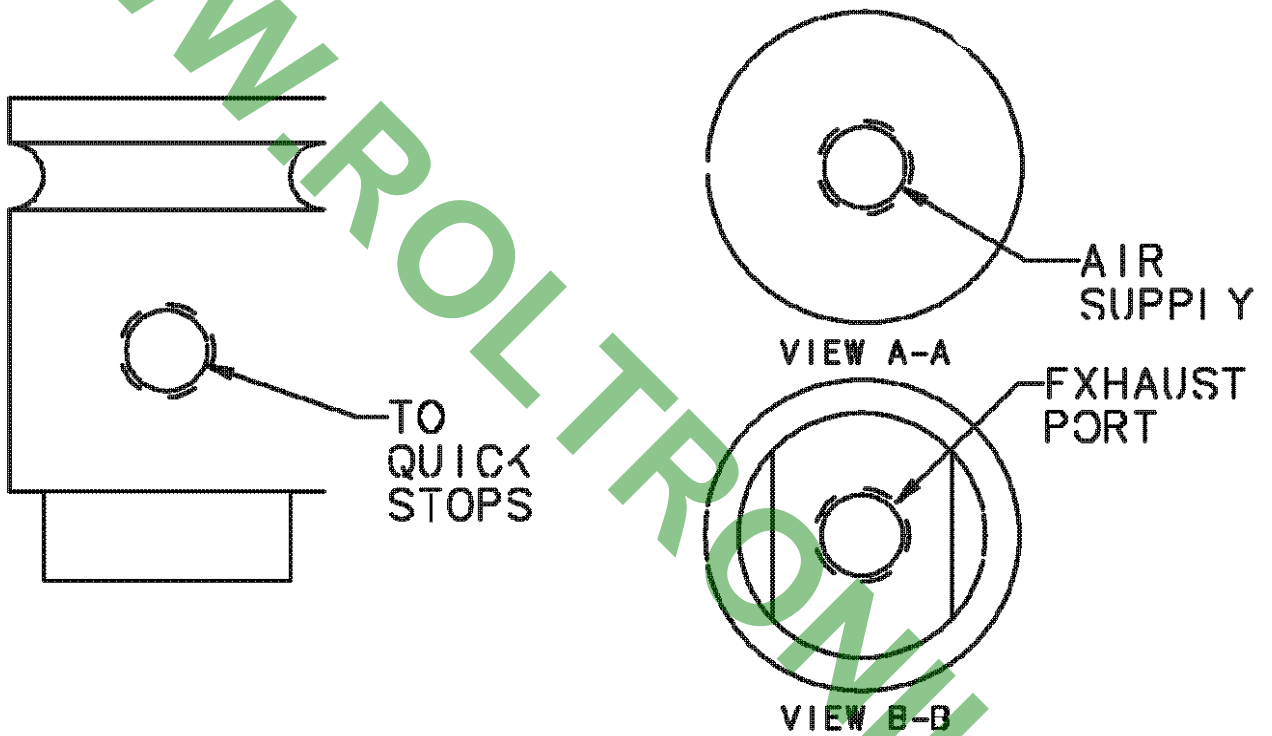
ITEM	PART #	QTY	DESCRIPTION	COMMENTS
1	AG609916	1	TRIPLE BODY FOR 0.75 PIPE	
2	AG609737	1	ANTI DRIP ASM 7PSI (RED)	[A]
3	AG609738	1	DIAPHRAGM EPDM	[B]
4	AG609739	1	END CAP	
5	AG609917	1	TRIPLE 0.75 CLAMP	
6	AG609741	1	O RING	
7	AG610517	1	ORING-EPDM (519524)	[C]
8	AG609919	1	QUICK COUPLER TRI-NOZ HOLDER	
9	AG563095	2	NUT 10-24 SS W/STAR WASHER	
10	AG609745	1	PIN	
11	AG563096	2	SCR/NUT-10-24X.75,SS,RHS	[D]
	FOOTNOTE [A]		DIAPHRAM ONLY AG609738	
	FOOTNOTE [A]		PART HAS BEEN CHANGED TO AG058140	
	FOOTNOTE [A]		BODY IS RED, BUT THE PLUNGER IS BLACK NOW FOR THE 8 PSI	
	FOOTNOTE [A]		3 PSI THE BODY IS RED, BUT THE PLUNGER IS ORANGE AG053372	
	FOOTNOTE [B]		AG053265 VITON DIAPHRAM	
	FOOTNOTE [C]		USE AG609918	
	FOOTNOTE [D]		SLOTTED HEAD	
	FOOTNOTE:		O- RING AG609918	
	FOOTNOTE:		AG609738 - DIAPHRAGM EPDM (COMES WITH)	
	FOOTNOTE:		AG053265 - DIAPHRAGM VITON	

WWW.ROLTRONIK.PL



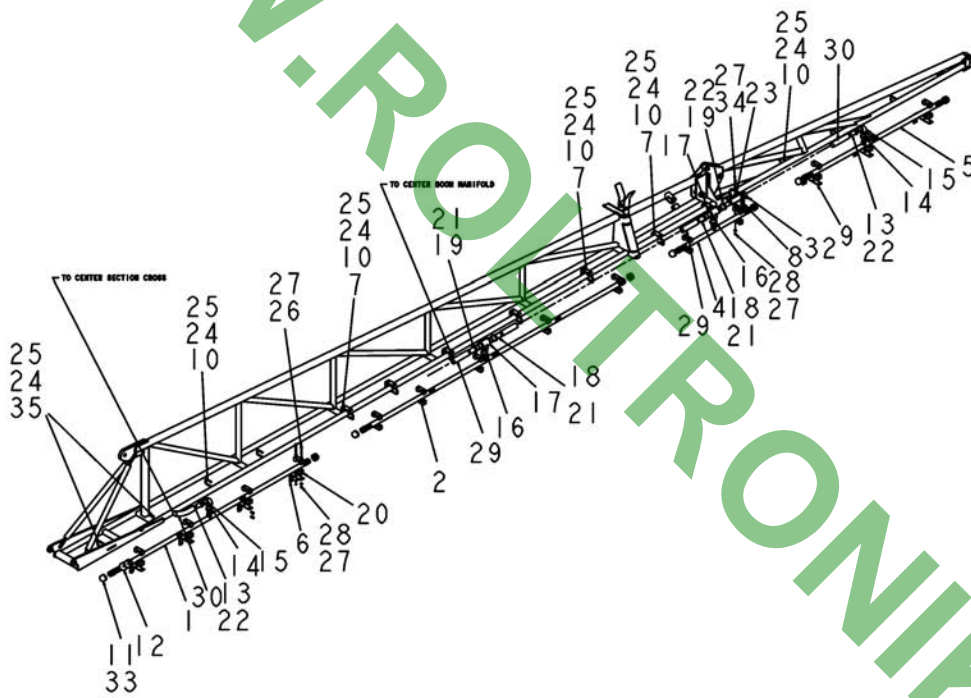
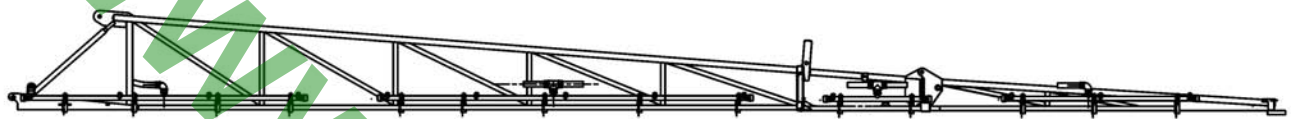
ITEM	PART #	QTY	DESCRIPTION	COMMENTS
1	AG727654	1	PLATE/END	
2	AG055120	1	HANDLE-T,3WAY VALVE	
3	AG007489	1	BODY 1.50 IN	
4	AG056115	1	WASHER-HANDLE	
5	AG056114	1	BOLT-HANDLE,1/4X1/2	
6	AG007579	1	END PLATE	
7	AG054235	4	BODY NUT 3/8-16SS	
8	AG054234	4	BODY LOCKWASHER 3/8	
9	AG054233	4	BODY BOLT 3/8-16X4	
10	AG000789	1	BUSHING UPPER STEM	
11	AG000793	1	O-RING VITON	
12	AG000780	1	STEM	
13	AG006573	2	BALL SEAT	
14	AG007580	1	BALL	
15	AG007470	2	BODY O RING 1.25 1.50&2.00VLV	
16	AG000790	1	BUSHING LOWER STEM V20160	
17	AG059020	1	CAP-HANDLE	

WWW.ROLTRONIK.PL

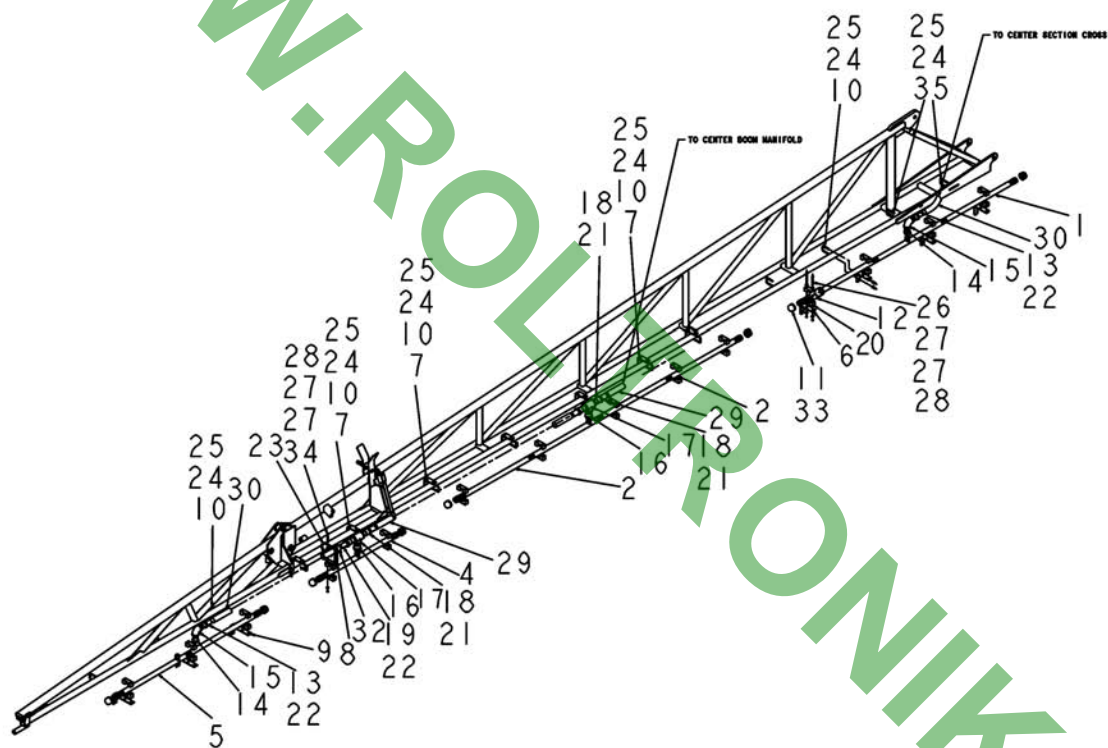
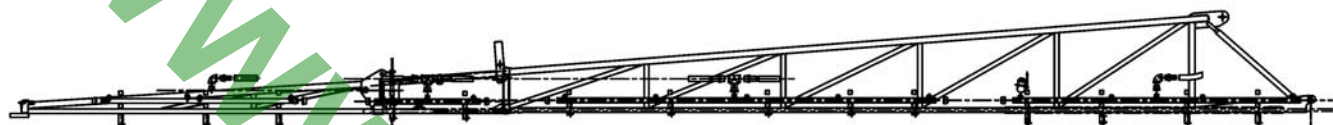


ITEM	PART #	QTY	DESCRIPTION	COMMENTS
REF	AG713710	-	REPAIR KIT	
	FOOTNOTE:		VITON O-RING - DIAPHRAGM KIT AG713710.	
	FOOTNOTE:		AG519314 CAN BE USED IN PLACE OF AG713445 ON OLDER UNITS.	
	FOOTNOTE:		IF USING AG519314 TO REPLACE AG516549, AG517246 OR AG713445 QUICK	
	FOOTNOTE:		RELEASE VALVES, YOU WILL ALSO NEED TO SEND 1 OF AG516402 U-BOLT	
	FOOTNOTE:		2 OF AG516403 NUT AND 2 OF AG562074 WASHER. ALSO MAY NEED TO	
	FOOTNOTE:		SEND TWO 1/4 IN. AIR LINE FITTINGS AND A AG516206 UNION TEE FOR	
	FOOTNOTE:		CUSTOMER TO RE-INSTALL AIR LINES. ASK CUSTOMER WHAT PLUMBING	
	FOOTNOTE:		ARRANGEMENT THEY CURRENTLY HAVE. OR CUSTOMER CAN USE THEIR	
	FOOTNOTE:		EXISTING FITTINGS IF NECESSARY.	

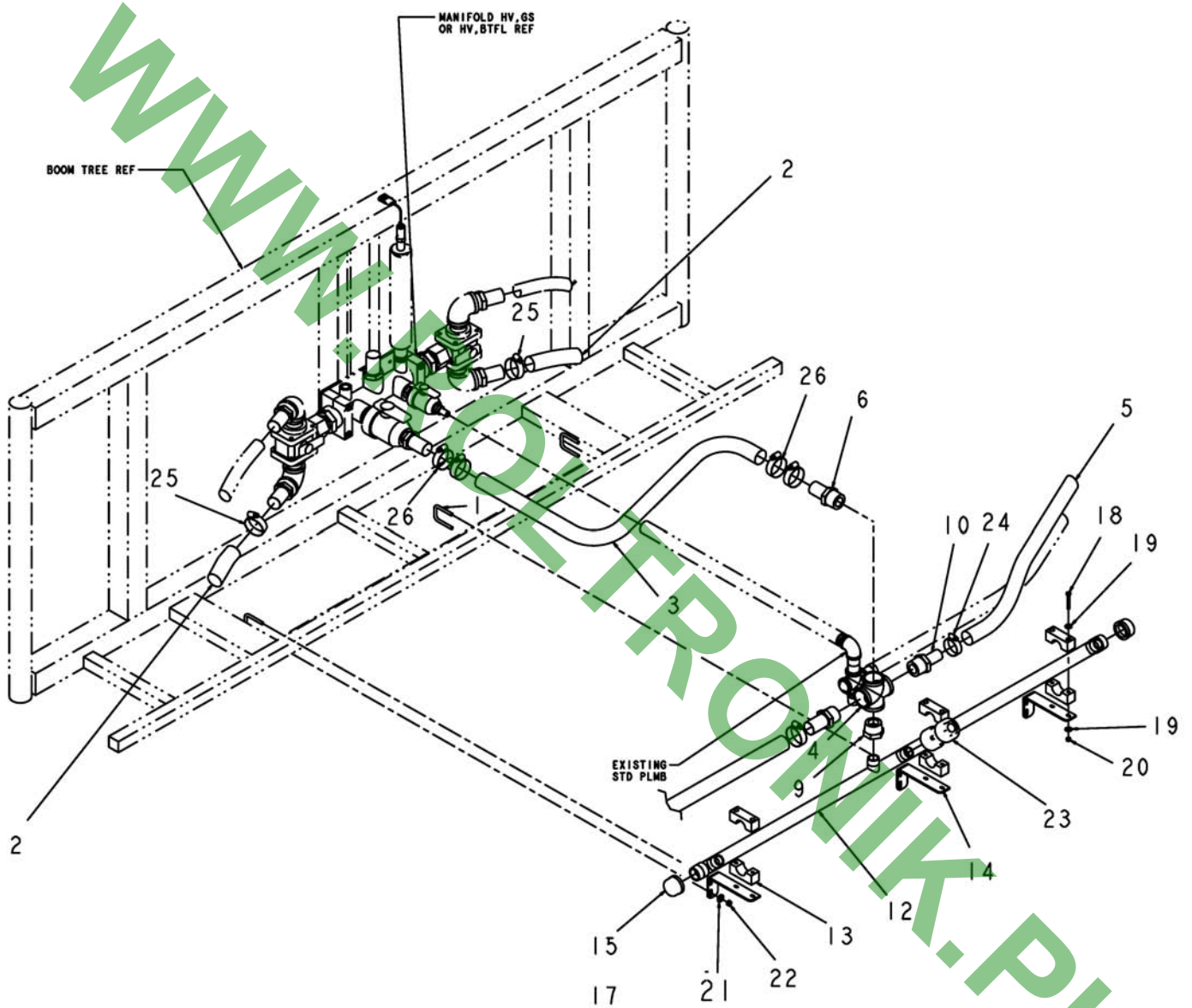
WWW.ROLTRONIK.PL



ITEM	PART #	QTY	DESCRIPTION	COMMENTS
1	AG423007	1	TUBE WLDMT-BOOM,HV,90.00	
2	AG423384	1	TUBE WLDMT-BOOM,HV,120	
4	AG260239	1	TUBE WLDMT-BOOM,HV,30.00	
5	AG260241	1	TUBE WLDMT-BOOM,HV,60.00	
6	AG260461	4	BRKT-MTG,TUBE,PLMB,BOOM	
7	AG260458	7	BRKT-MTG,TUBE,PLMB,BOOM	
8	AG326276	1	BRACKET-HOSE SUPPORT	
9	AG326187	3	BRKT-MTG,TUBE,PLMB,BOOM	
10	AG231204	12	BOLT-U .31-18X1.88X2.63	[A]
11	AG055296	8	CAP-PIPE,1.25NPT PP	
12	AG517858	14	VALVE QUIK-STOP1.00NPTX0.75NPT	
13	AG051186	2	BARB-HOSE,1.25MNPTX1.25BARB,PP	
14	AG051172	2	BSHG-RDCR,HEX,1.25X1.00NPT,PP	
15	AG051128	2	ELBOW-PIPE,1.25FNPT,90D,PP	
16	AG050257	2	BSHG-RDCR,HEX,1.50X1.00NPT,PP	
17	AG050273	2	TEE,PIPE,1.50FNPT,PP	
18	AG000766	3	BARB-HOSE,1.50MNPTX1.50BARB,PP	
19	AG051534	1	BARB-HOSE,1.50MNPTX1.25BARB,PP	
20	AG518425	14	CLAMP 1.50 BLACK POLY (RTG)	
21	AG561218	3	CLAMP 1.31-2.25 HOSE 28HS	
22	AG561230	3	CLAMP 0.81-1.75 HOSE 20HS	
23	AG561352	1	BOLT-U .38-16X3.50X 4.12RD ZN	
24	AG516403	28	NUT 0.31-18NC HEX ESNA SS	
25	AG562074	28	WASHER FL 0.31 SS REG	
26	AG563061	26	BOLT 0.25-20NCX 3.25 SS HHD	
27	AG515121	56	WASHER 0.25 FL SS REG	
28	AG027275	28	NUT,NY-LOCK 1/4-20 SS HX (P)	
29	AG512230	-	HOSE 1.50 2BRD EPDM [BULK: 9.362 FT]	
30	AG513393	-	HOSE 1.25 2BRD EPDM [BULK: 6.999 FT]	
32	AG522562	4	NUT-.38-16,SS,SFLG,H	
33	AG609113	AR	SEALANT PIPE PST567 S.S. 250CC	[B]
34	AG518507	2	BOLT 0.25-20NCX 3.50 SS	
35	AG261322	2	BOLT-U,.31-18X1.56X2.97SQ,SS	
	FOOTNOTE [A]		WASHER AG562074, NUT AG516403	
	FOOTNOTE [B]		AG516363 PRIMER/ACTIVATOR	

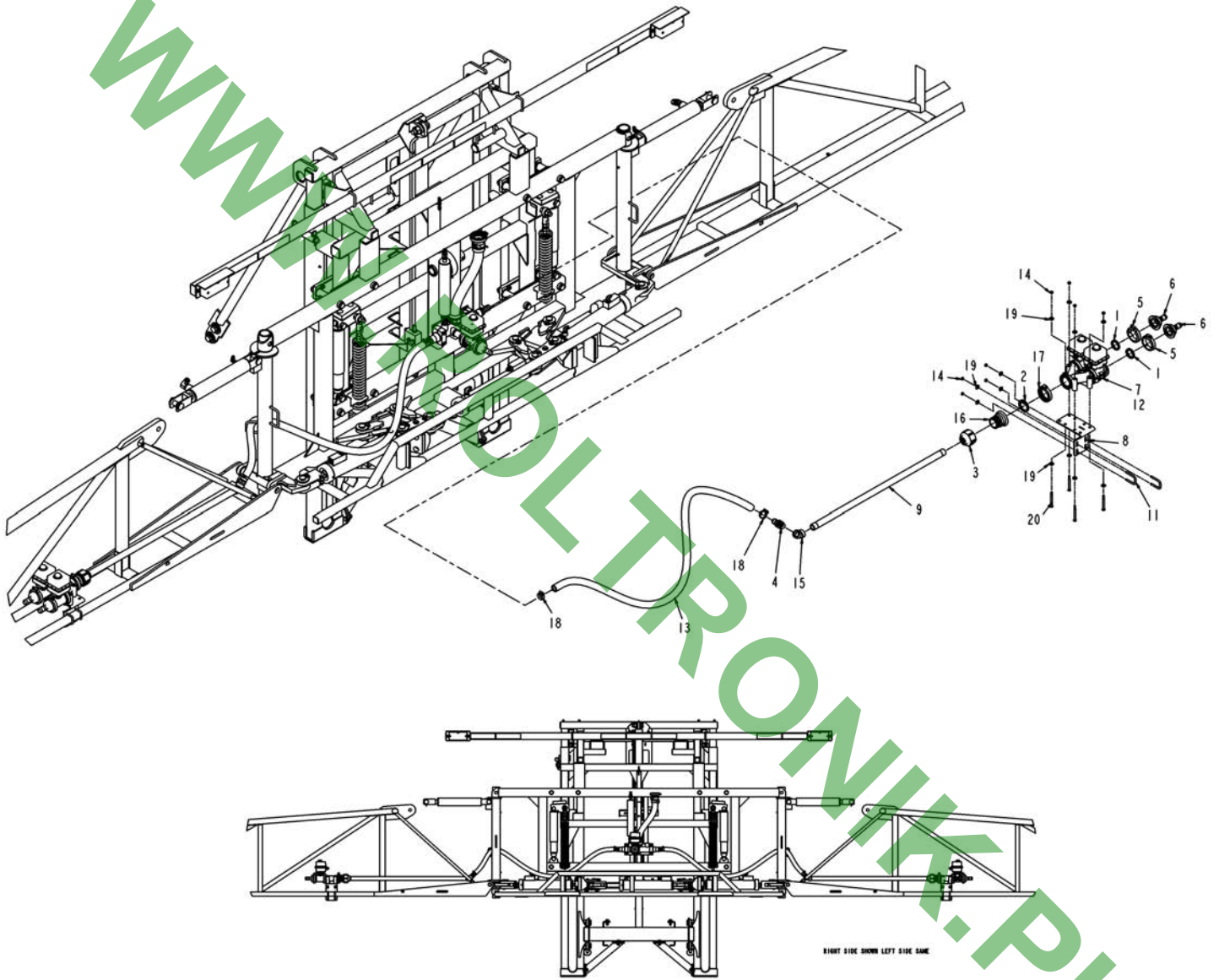


ITEM	PART #	QTY	DESCRIPTION	COMMENTS
1	AG423007	1	TUBE WLDMT-BOOM,HV,90.00	
2	AG423384	1	TUBE WLDMT-BOOM,HV,120	
4	AG260239	1	TUBE WLDMT-BOOM,HV,30.00	
5	AG260241	1	TUBE WLDMT-BOOM,HV,60.00	
6	AG260461	4	BRKT-MTG,TUBE,PLMB,BOOM	
7	AG260458	7	BRKT-MTG,TUBE,PLMB,BOOM	
8	AG326276	1	BRACKET-HOSE SUPPORT	
9	AG326187	3	BRKT-MTG,TUBE,PLMB,BOOM	
10	AG231204	12	BOLT-U .31-18X1.88X2.63	[A]
11	AG055296	8	CAP-PIPE,1.25NPT PP	
12	AG517858	14	VALVE QUIK-STOP1.00NPTX0.75NPT	
13	AG051186	2	BARB-HOSE,1.25MNPTX1.25BARB,PP	
14	AG051172	2	BSHG-RDCR,HEX,1.25X1.00NPT,PP	
15	AG051128	2	ELBOW-PIPE,1.25FNPT,90D,PP	
16	AG050257	2	BSHG-RDCR,HEX,1.50X1.00NPT,PP	
17	AG050273	2	TEE,PIPE,1.50FNPT,PP	
18	AG000766	3	BARB-HOSE,1.50MNPTX1.50BARB,PP	
19	AG051534	1	BARB-HOSE,1.50MNPTX1.25BARB,PP	
20	AG518425	14	CLAMP 1.50 BLACK POLY (RTG)	
21	AG561218	3	CLAMP 1.31-2.25 HOSE 28HS	
22	AG561230	3	CLAMP 0.81-1.75 HOSE 20HS	
23	AG561352	1	BOLT-U .38-16X3.50X 4.12RD ZN	
24	AG516403	28	NUT 0.31-18NC HEX ESNA SS	
25	AG562074	28	WASHER FL 0.31 SS REG	
26	AG563061	26	BOLT 0.25-20NCX 3.25 SS HHD	
27	AG515121	56	WASHER 0.25 FL SS REG	
28	AG027275	28	NUT,NY-LOCK 1/4-20 SS HX (P)	
29	AG512230	-	HOSE 1.50 2BRD EPDM [BULK: 8.663 FT]	
30	AG513393	-	HOSE 1.25 2BRD EPDM [BULK: 7.700 FT]	
32	AG522562	4	NUT-.38-16,SS,SFLG,H	
33	AG609113	AR	SEALANT PIPE PST567 S.S. 250CC	[B]
34	AG518507	2	BOLT 0.25-20NCX 3.50 SS	
35	AG261322	2	BOLT-U,.31-18X1.56X2.97SQ,SS	
	FOOTNOTE [A]		WASHER AG562074, NUT AG516403	
	FOOTNOTE [B]		AG516363 PRIMER/ACTIVATOR	

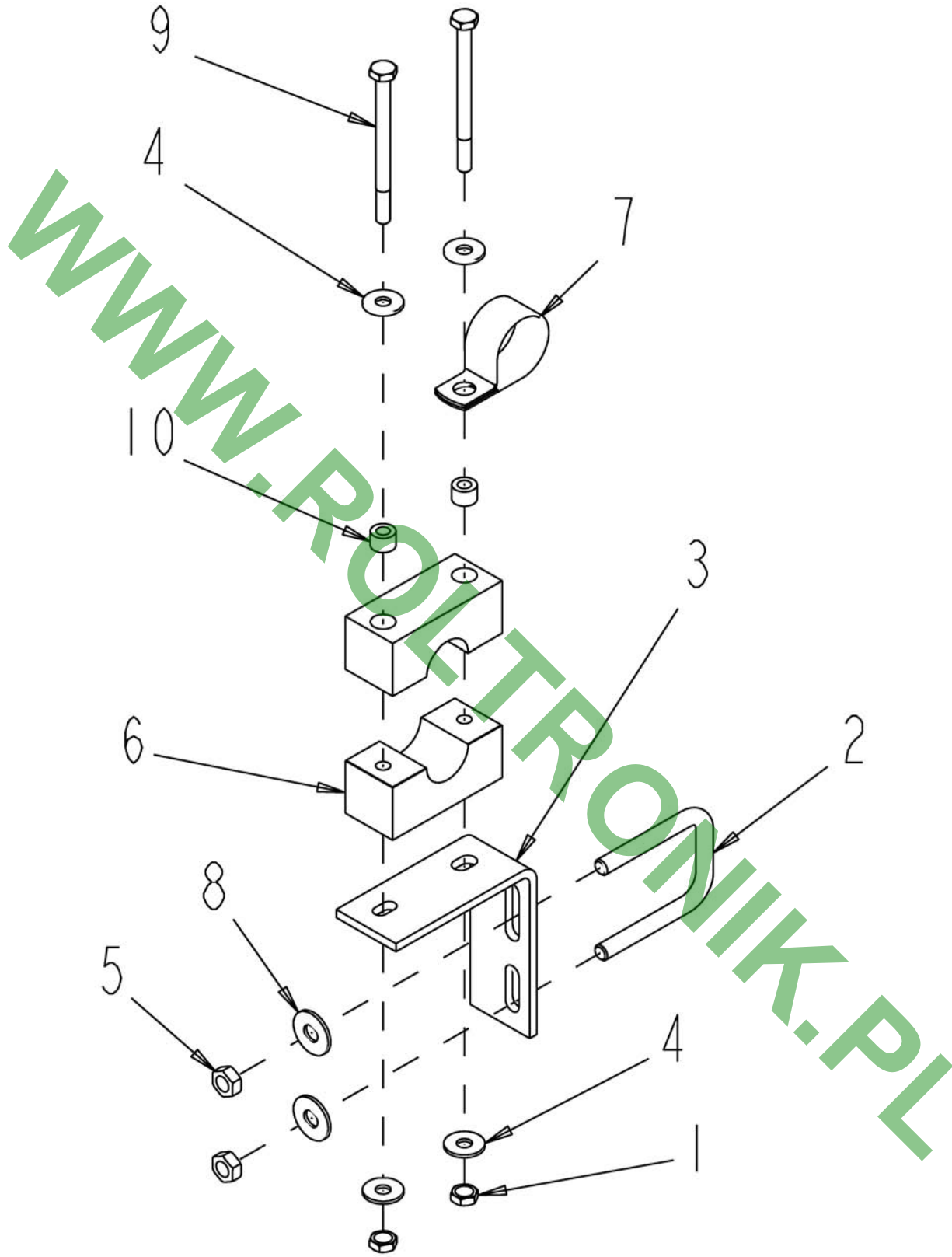


ITEM	PART #	QTY	DESCRIPTION	COMMENTS
1	AG231204	3	BOLT-U .31-18X1.88X2.63	[A]
2	AG512230	-	HOSE 1.50 2BRD EPDM [BULK: 42.700 FT]	
3	AG513466	-	HOSE-1.50,LIQ PROD.SUC & DIS [BULK: 15.500 FT]	
4	AG051443	1	CROSS-PIPE,1.50FNPT,PP	
5	AG513393	-	HOSE 1.25 2BRD EPDM [BULK: 20.125 FT]	
6	AG000766	1	BARB-HOSE,1.50MNPTX1.50BARB,PP	
9	AG050257	1	BSHG-RDCR,HEX,1.50X1.00NPT,PP	
10	AG051534	2	BARB-HOSE,1.50MNPTX1.25BARB,PP	
12	AG260241	1	TUBE WLDMT-BOOM,HV,60.00	
13	AG518425	3	CLAMP 1.50 BLACK POLY (RTG)	
14	AG326225	3	BRKT-MTG,TUBE,PLMB,CTR	
15	AG055296	2	CAP-PIPE,1.25NPT PP	
17	AG129187	AR	PIPE SEALANT-POLY SEAL	
18	AG563061	6	BOLT 0.25-20NCX 3.25 SS HDD	
19	AG515121	12	WASHER 0.25 FL SS REG	
20	AG027275	6	NUT,NY-LOCK 1/4-20 SS HX (P)	
21	AG562074	6	WASHER FL 0.31 SS REG	
22	AG516403	6	NUT 0.31-18NC HEX ESNA SS	
23	AG517858	3	VALVE QUIK-STOP1.00NPTX0.75NPT	
24	AG561230	2	CLAMP 0.81-1.75 HOSE 20HS	
25	AG561218	2	CLAMP 1.31-2.25 HOSE 28HS	
26	AG561538	4	CLAMP 1.78-2.09HOSE VOSS-200SS	
	FOOTNOTE [A]		WASHER AG562074, NUT AG516403	

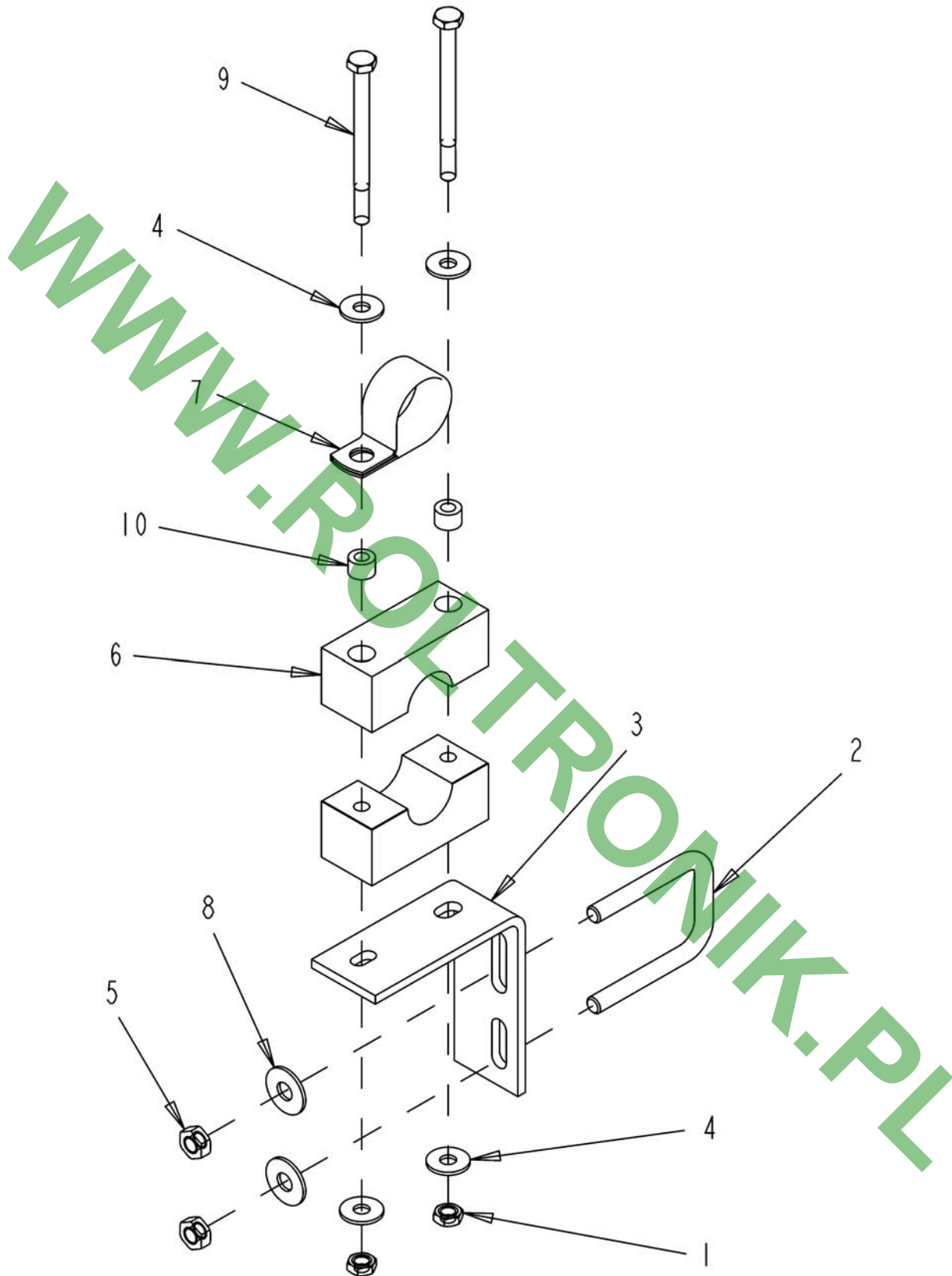
WWW.POLTRONIK.PL



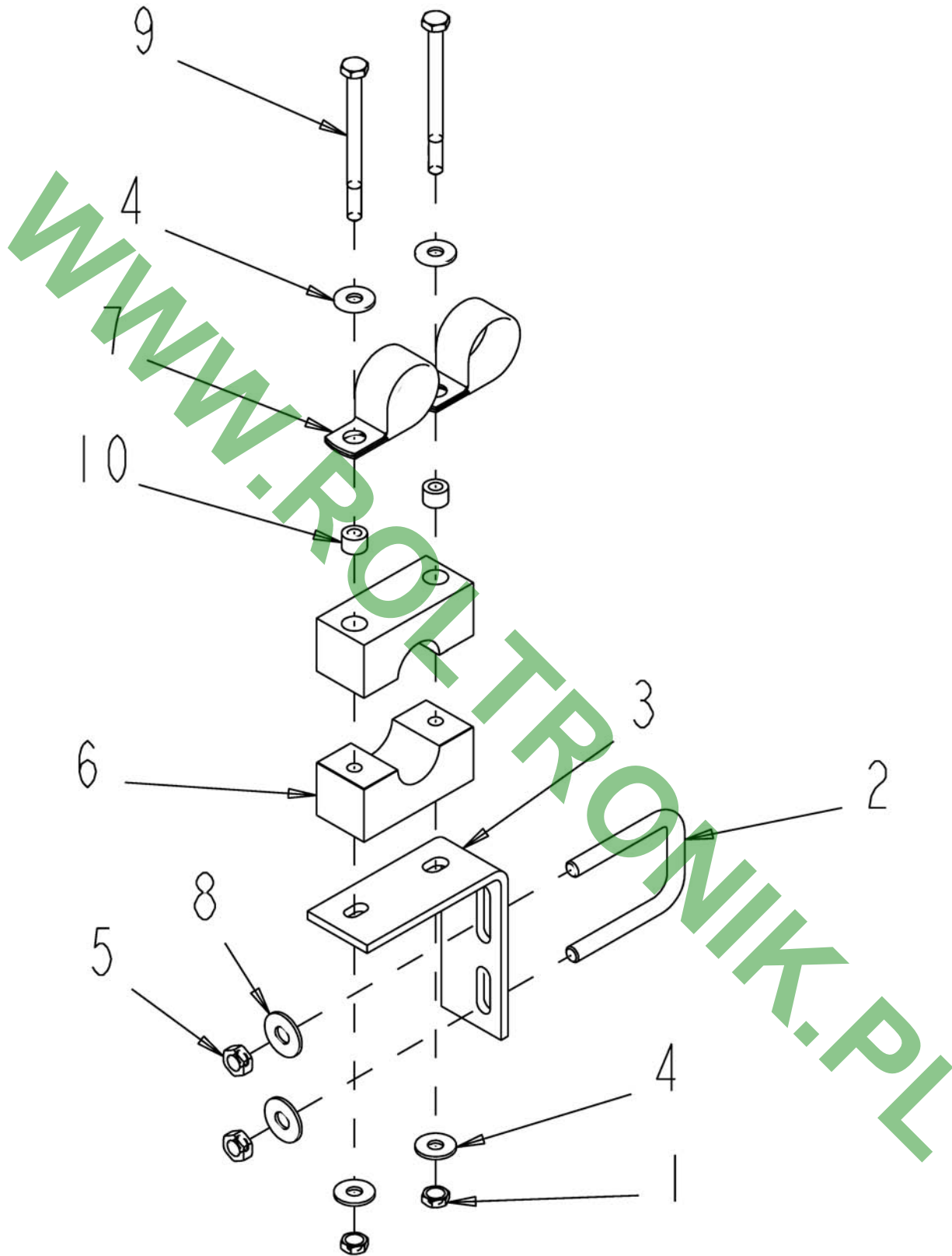
ITEM	PART #	QTY	DESCRIPTION	COMMENTS
1	AG000772	4	GASKET 1.50 EPDM	
2	AG000773	2	GASKET 2.00 EPDM	
3	AG050264	2	COUPLG RED 1.00X 2.00NPT POLYP	
4	AG051059	2	BARB-HOSE,1.00MNPTX1.00BARB,PP	
5	AG056785	4	CLAMP 2.00 FLANGE	
6	AG057593	4	CONNECTOR 2.00X1.00HOSE	
7	AG121882	2	MANIFOLD ASM-Y,1.00FP FLG,ELEC	SEE PAGE 2-36
8	AG122147	2	BRKT WLDMT-MTG,Y MANF,BM PLMB	
9	AG123029	2	TUBE-SECTION FEED,38.00,PP	
10	AG129187	AR	PIPE SEALANT-POLY SEAL	
11	AG231204	4	BOLT-U .31-18X1.88X2.63	[A]
12	WR504301	1	HARN INSTL-ELEC BM SECT VLV	SEE PAGE 6-16
13	AG511528	-	HOSE 1.00 2BRD EPDM [BULK: 12.950 FT]	
14	AG516403	8	NUT 0.31-18NC HEX ESNA SS	
15	AG519838	2	ELBOW-PIPE,1.00FNPT,45D,PP	
16	AG522893	2	CONNECTOR-2.00FLGX2.00NPT	
17	AG522895	2	CLAMP-WORM SCREW,2.00,SS	
18	AG561213	4	CLAMP 0.81-1.50 HOSE 16HS	
19	AG562074	24	WASHER FL 0.31 SS REG	
20	AG708300	8	BOLT 0.31-18NCX 3.50 SS HHD	
	FOOTNOTE [A]		WASHER AG562074, NUT AG516403	



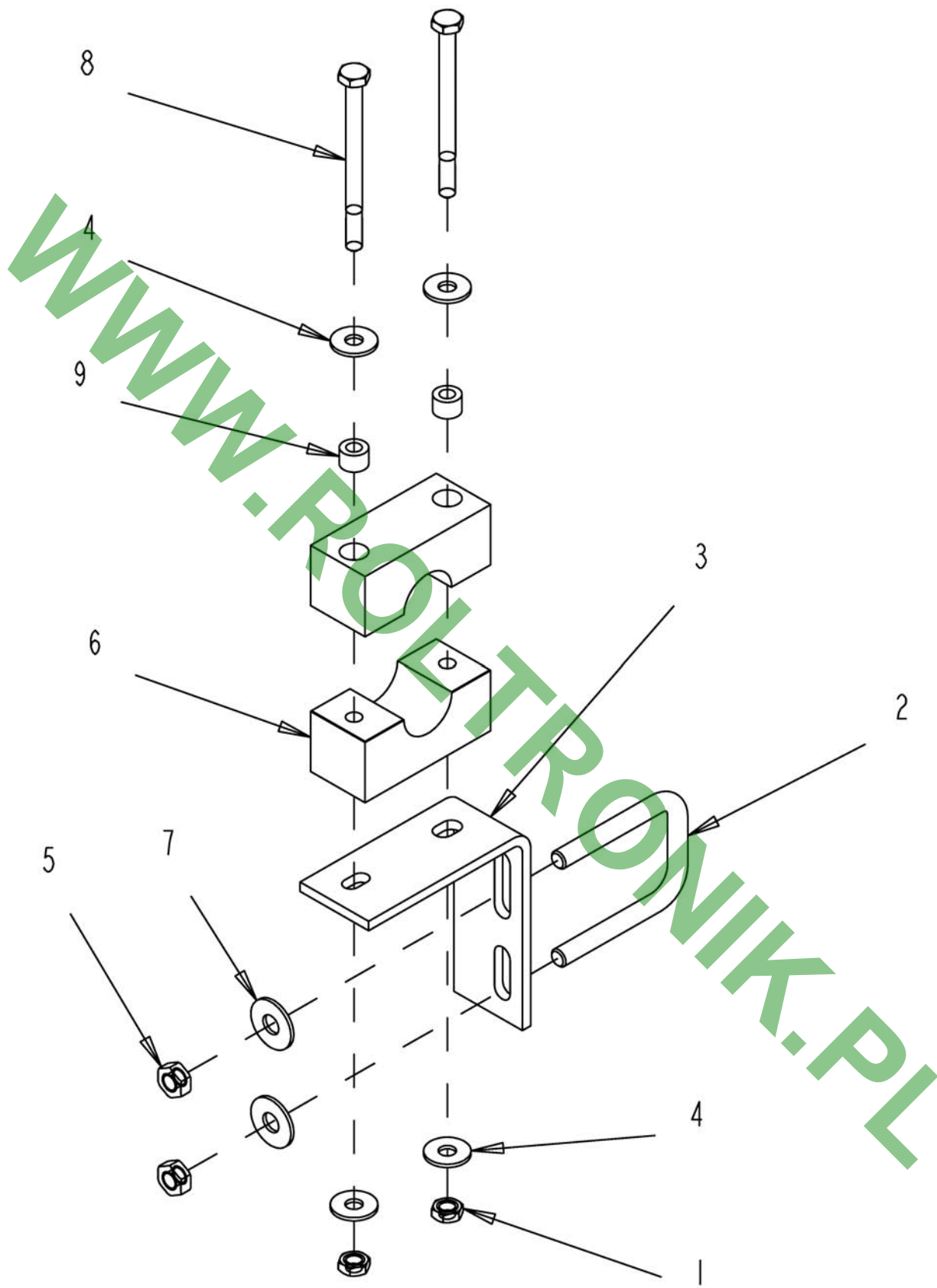
ITEM	PART #	QTY	DESCRIPTION	COMMENTS
1	AG027275	2	NUT,NY-LOCK 1/4-20 SS HX (P)	
2	AG231204	1	BOLT-U .31-18X1.88X2.63	[A]
3	AG232784	1	BRACKET STAND OFF WET BOOM	[B]
4	AG515121	4	WASHER 0.25 FL SS REG	
5	AG516403	2	NUT 0.31-18NC HEX ESNA SS	
6	AG518326	1	CLAMP 3/4 INCH PIPE (RTG)	[C]
7	AG560480	1	CLAMP 1.25-COATED HOSE CO	
8	AG562074	2	WASHER FL 0.31 SS REG	
9	AG563061	2	BOLT 0.25-20NCX 3.25 SS HDD	
10	AG609777	2	INSERT STAUFF SPACER	[D]
	FOOTNOTE [A]		WASHER AG562074, NUT AG516403	
	FOOTNOTE [B]		TO BE USED W/TRIPLE NOZZLE BODIES, ALSO REF. AG231116	
	FOOTNOTE [C]		FOR 1 POLY CLAMP USE AG519748, THIS PART COMES WITH 2 SPACERS-AG609777	
	FOOTNOTE [C]		UNDER AG518326 YOU GET BOTH HALVES TO MAKE 1 CLAMP WITH INSERTS LESS	
	FOOTNOTE [C]		THE BOLTS AND NUTS. BOLT AG563061, NUT AG027275, WASHER AG515121	
	FOOTNOTE [D]		USED ON AG518339, AG518340 AND AG520133 CLAMP	



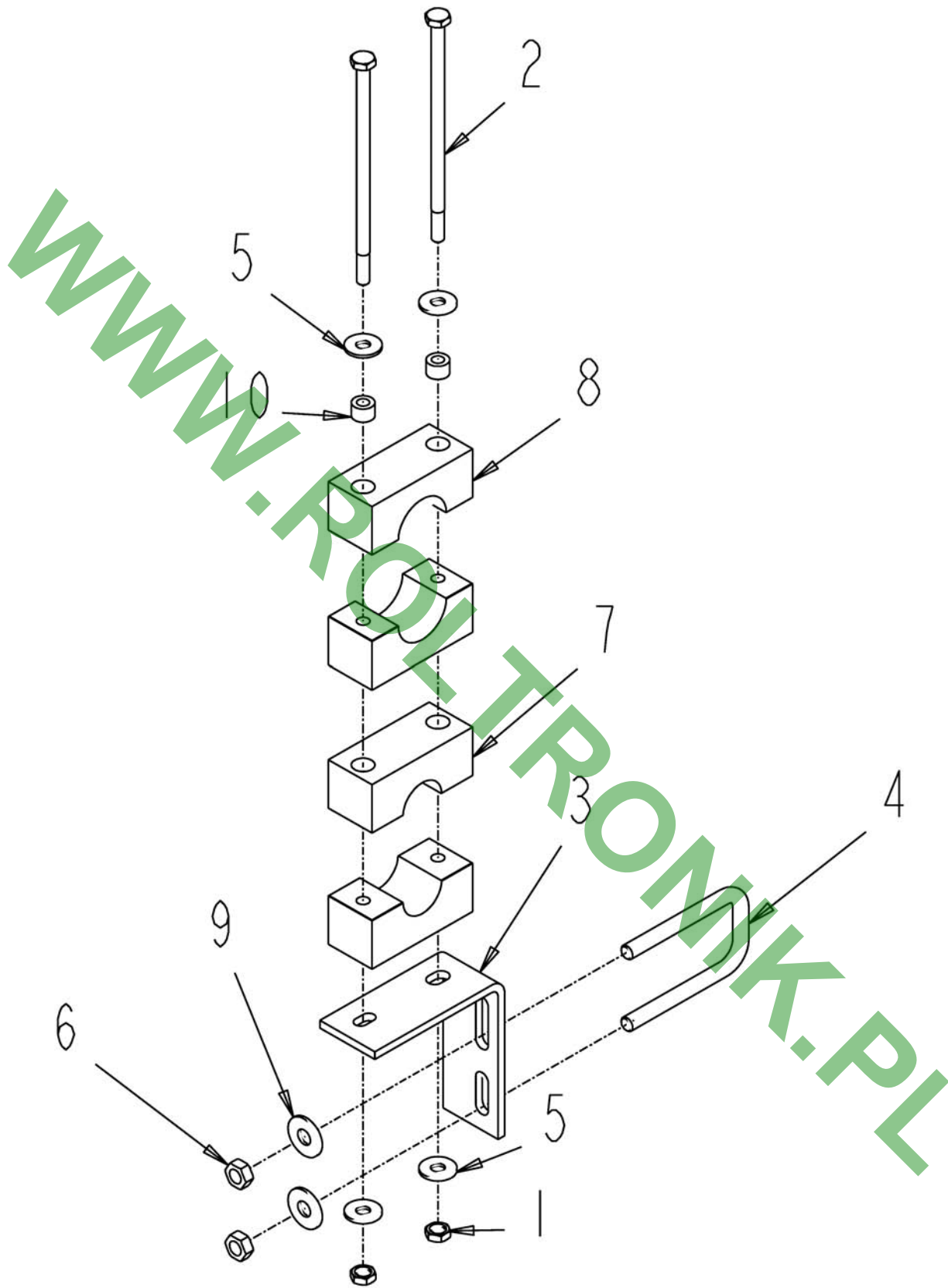
ITEM	PART #	QTY	DESCRIPTION	COMMENTS
1	AG027275	2	NUT,NY-LOCK 1/4-20 SS HX (P)	
2	AG231204	1	BOLT-U .31-18X1.88X2.63	[A]
3	AG232784	1	BRACKET STAND OFF WET BOOM	[B]
4	AG515121	4	WASHER 0.25 FL SS REG	
5	AG516403	2	NUT 0.31-18NC HEX ESNA SS	
6	AG518326	1	CLAMP 3/4 INCH PIPE (RTG)	[C]
7	AG560480	1	CLAMP 1.25-COATED HOSE CO	
8	AG562074	2	WASHER FL 0.31 SS REG	
9	AG563061	2	BOLT 0.25-20NCX 3.25 SS HDD	
10	AG609777	2	INSERT STAUFF SPACER	[D]
	FOOTNOTE [A]		WASHER AG562074, NUT AG516403	
	FOOTNOTE [B]		TO BE USED W/TRIPLE NOZZLE BODIES, ALSO REF. AG231116	
	FOOTNOTE [C]		FOR 1 POLY CLAMP USE AG519748, THIS PART COMES WITH 2 SPACERS-AG609777	
	FOOTNOTE [C]		UNDER AG518326 YOU GET BOTH HALVES TO MAKE 1 CLAMP WITH INSERTS LESS	
	FOOTNOTE [C]		THE BOLTS AND NUTS. BOLT AG563061, NUT AG027275, WASHER AG515121	
	FOOTNOTE [D]		USED ON AG518339, AG518340 AND AG520133 CLAMP	



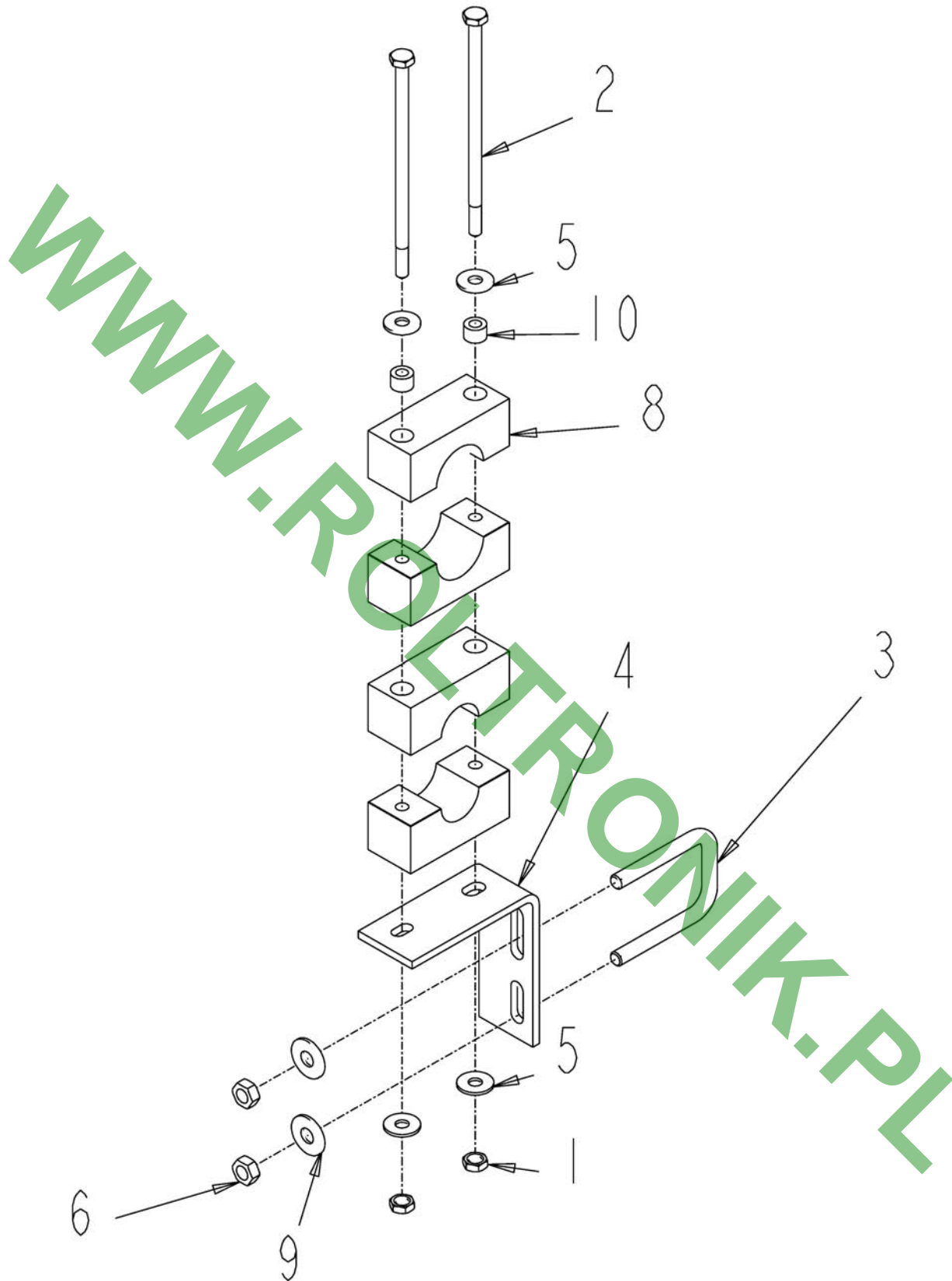
ITEM	PART #	QTY	DESCRIPTION	COMMENTS
1	AG027275	2	NUT,NY-LOCK 1/4-20 SS HX (P)	
2	AG231204	1	BOLT-U .31-18X1.88X2.63	[A]
3	AG232784	1	BRACKET STAND OFF WET BOOM	[B]
4	AG515121	4	WASHER 0.25 FL SS REG	
5	AG516403	2	NUT 0.31-18NC HEX ESNA SS	
6	AG518326	1	CLAMP 3/4 INCH PIPE (RTG)	[C]
7	AG560480	2	CLAMP 1.25-COATED HOSE CO	
8	AG562074	2	WASHER FL 0.31 SS REG	
9	AG563061	2	BOLT 0.25-20NCX 3.25 SS HDD	
10	AG609777	2	INSERT STAUFF SPACER	[D]
	FOOTNOTE [A]		WASHER AG562074, NUT AG516403	
	FOOTNOTE [B]		TO BE USED W/TRIPLE NOZZLE BODIES, ALSO REF. AG231116	
	FOOTNOTE [C]		FOR 1 POLY CLAMP USE AG519748, THIS PART COMES WITH 2 SPACERS-AG609777	
	FOOTNOTE [C]		UNDER AG518326 YOU GET BOTH HALVES TO MAKE 1 CLAMP WITH INSERTS LESS	
	FOOTNOTE [C]		THE BOLTS AND NUTS. BOLT AG563061, NUT AG027275, WASHER AG515121	
	FOOTNOTE [D]		USED ON AG518339, AG518340 AND AG520133 CLAMP	



ITEM	PART #	QTY	DESCRIPTION	COMMENTS
1	AG027275	2	NUT,NY-LOCK 1/4-20 SS HX (P)	
2	AG231204	1	BOLT-U .31-18X1.88X2.63	[A]
3	AG232784	1	BRACKET STAND OFF WET BOOM	[B]
4	AG515121	4	WASHER 0.25 FL SS REG	
5	AG516403	2	NUT 0.31-18NC HEX ESNA SS	
6	AG518326	1	CLAMP 3/4 INCH PIPE (RTG)	[C]
7	AG562074	2	WASHER FL 0.31 SS REG	
8	AG563061	2	BOLT 0.25-20NCX 3.25 SS HDD	
9	AG609777	2	INSERT STAUFF SPACER	[D]
	FOOTNOTE [A]		WASHER AG562074, NUT AG516403	
	FOOTNOTE [B]		TO BE USED W/TRIPLE NOZZLE BODIES, ALSO REF. AG231116	
	FOOTNOTE [C]		FOR 1 POLY CLAMP USE AG519748, THIS PART COMES WITH 2 SPACERS-AG609777	
	FOOTNOTE [C]		UNDER AG518326 YOU GET BOTH HALVES TO MAKE 1 CLAMP WITH INSERTS LESS	
	FOOTNOTE [C]		THE BOLTS AND NUTS. BOLT AG563061, NUT AG027275, WASHER AG515121	
	FOOTNOTE [D]		USED ON AG518339, AG518340 AND AG520133 CLAMP	

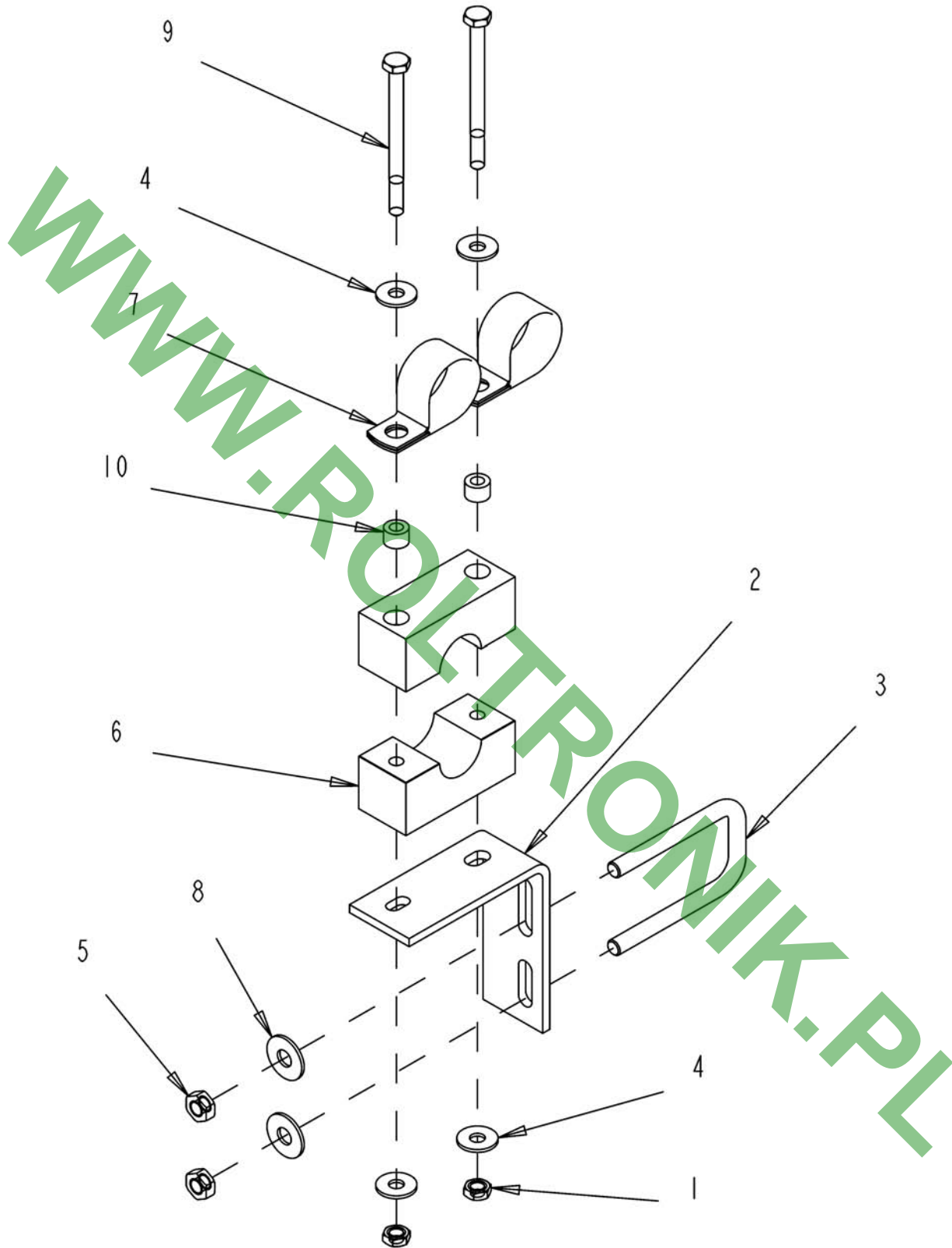


ITEM	PART #	QTY	DESCRIPTION	COMMENTS
1	AG027275	2	NUT,NY-LOCK 1/4-20 SS HX (P)	
2	AG122992	2	BOLT-.25-20X5.25,SS,HHD	
3	AG232784	1	BRACKET STAND OFF WET BOOM	[A]
4	AG261322	1	BOLT-U,.31-18X1.56X2.97SQ,SS	
5	AG515121	4	WASHER 0.25 FL SS REG	
6	AG516403	2	NUT 0.31-18NC HEX ESNA SS	
7	AG518326	1	CLAMP 3/4 INCH PIPE (RTG)	[B]
8	AG519748	1	CLAMP 1.00 PIPE	[C]
9	AG562074	2	WASHER FL 0.31 SS REG	
10	AG609777	2	INSERT STAUFF SPACER	[D]
	FOOTNOTE [A]		TO BE USED W/TRIPLE NOZZLE BODIES, ALSO REF. AG231116	
	FOOTNOTE [B]		FOR 1 POLY CLAMP USE AG519748, THIS PART COMES WITH 2 SPACERS-AG609777	
	FOOTNOTE [B]		UNDER AG518326 YOU GET BOTH HALVES TO MAKE 1 CLAMP WITH INSERTS LESS	
	FOOTNOTE [B]		THE BOLTS AND NUTS. BOLT AG563061, NUT AG027275, WASHER AG515121	
	FOOTNOTE [C]		2 INSERTS AND 2 CLAMP MAKE UP 1 PART. BOLT - AG563061, WASHER - AG515121, NUT - AG027275,	
	FOOTNOTE [D]		USED ON AG518339, AG518340 AND AG520133 CLAMP	

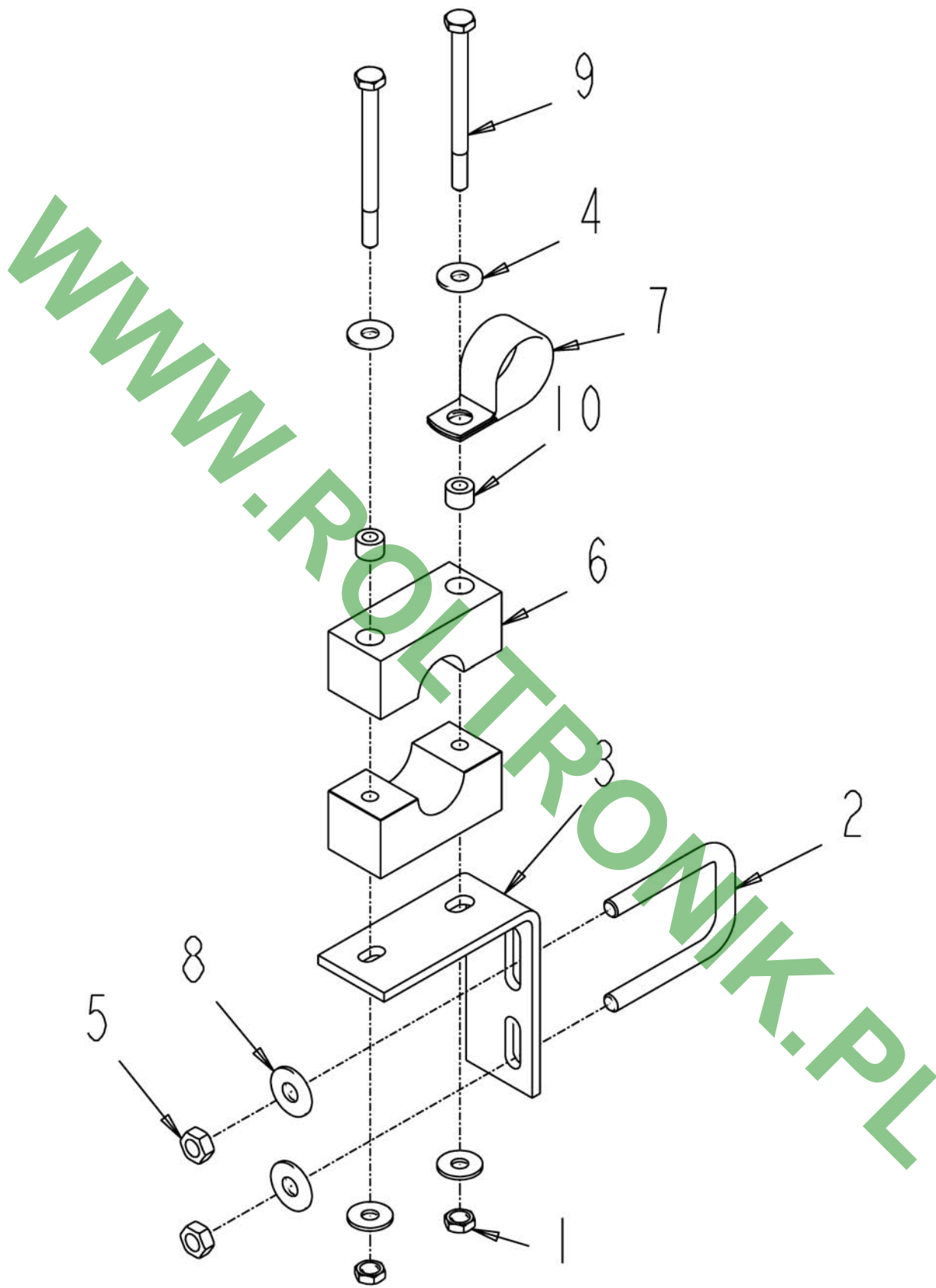


ITEM	PART #	QTY	DESCRIPTION	COMMENTS
1	AG027275	2	NUT,NY-LOCK 1/4-20 SS HX (P)	
2	AG122992	2	BOLT-.25-20X5.25,SS,HHD	
3	AG231204	1	BOLT-U .31-18X1.88X2.63	[A]
4	AG232784	1	BRACKET STAND OFF WET BOOM	[B]
5	AG515121	4	WASHER 0.25 FL SS REG	
6	AG516403	2	NUT 0.31-18NC HEX ESNA SS	
8	AG519748	1	CLAMP 1.00 PIPE	[C]
9	AG562074	2	WASHER FL 0.31 SS REG	
10	AG609777	2	INSERT STAUFF SPACER	[D]
	FOOTNOTE [A]		WASHER AG562074, NUT AG516403	
	FOOTNOTE [B]		TO BE USED W/TRIPLE NOZZLE BODIES, ALSO REF. AG231116	
	FOOTNOTE [C]		2 INSERTS AND 2 CLAMP MAKE UP 1 PART. BOLT - AG563061, WASHER - AG515121, NUT - AG027275,	
	FOOTNOTE [D]		USED ON AG518339, AG518340 AND AG520133 CLAMP	

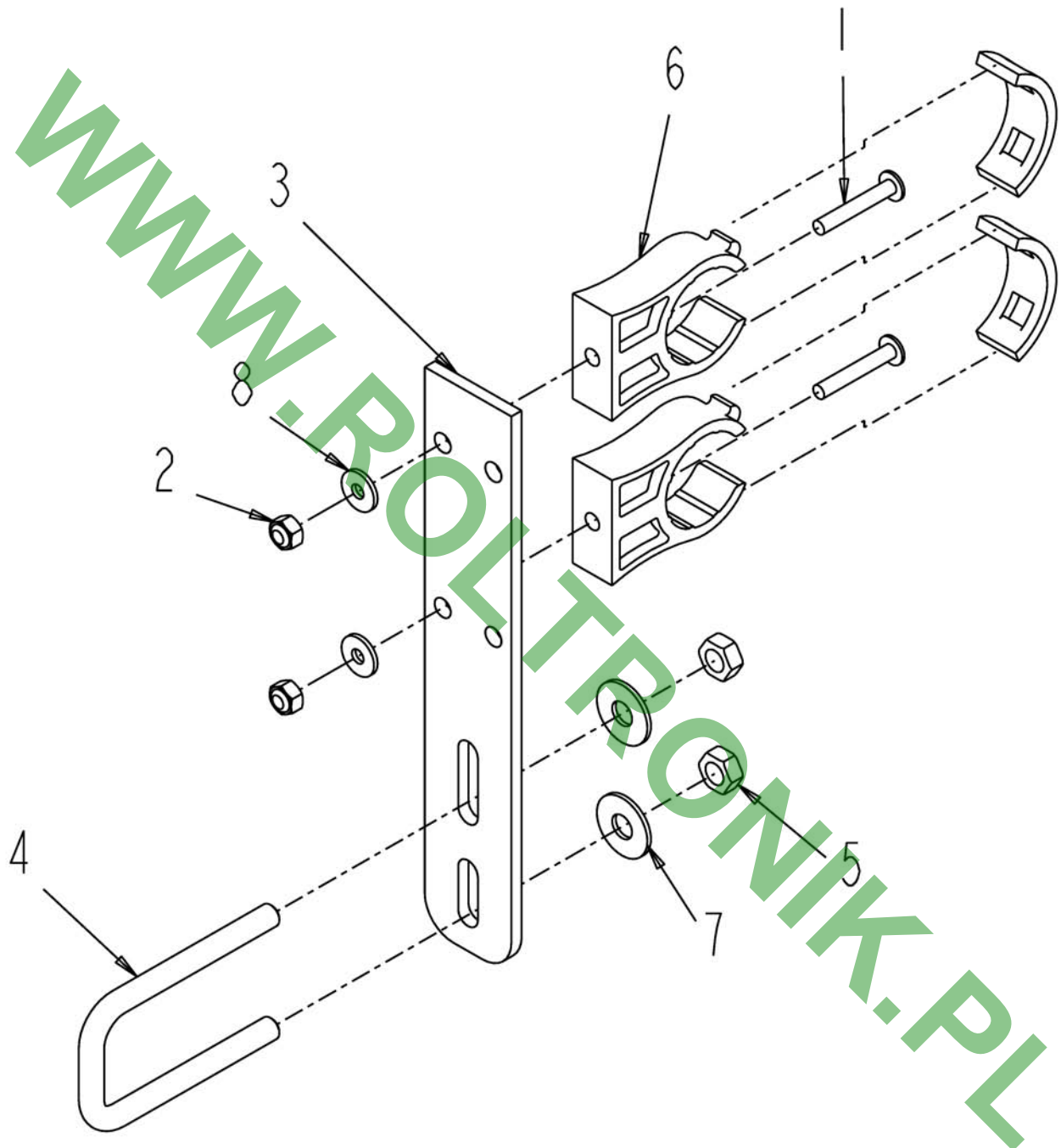
WWW.ROLTRONIK.PL



ITEM	PART #	QTY	DESCRIPTION	COMMENTS
1	AG027275	2	NUT,NY-LOCK 1/4-20 SS HX (P)	
2	AG232784	1	BRACKET STAND OFF WET BOOM	[A]
3	AG261322	1	BOLT-U,,31-18X1.56X2.97SQ,SS	
4	AG515121	4	WASHER 0.25 FL SS REG	
5	AG516403	2	NUT 0.31-18NC HEX ESNA SS	
6	AG518326	1	CLAMP 3/4 INCH PIPE (RTG)	[B]
7	AG560480	2	CLAMP 1.25-COATED HOSE CO	
8	AG562074	2	WASHER FL 0.31 SS REG	
9	AG563061	2	BOLT 0.25-20NCX 3.25 SS HHD	
10	AG609777	2	INSERT STAUFF SPACER	[C]
	FOOTNOTE [A]		TO BE USED W/TRIPLE NOZZLE BODIES, ALSO REF. AG231116	
	FOOTNOTE [B]		FOR 1 POLY CLAMP USE AG519748, THIS PART COMES WITH 2 SPACERS-AG609777	
	FOOTNOTE [B]		UNDER AG518326 YOU GET BOTH HALVES TO MAKE 1 CLAMP WITH INSERTS LESS	
	FOOTNOTE [B]		THE BOLTS AND NUTS. BOLT AG563061, NUT AG027275, WASHER AG515121	
	FOOTNOTE [C]		USED ON AG518339, AG518340 AND AG520133 CLAMP	

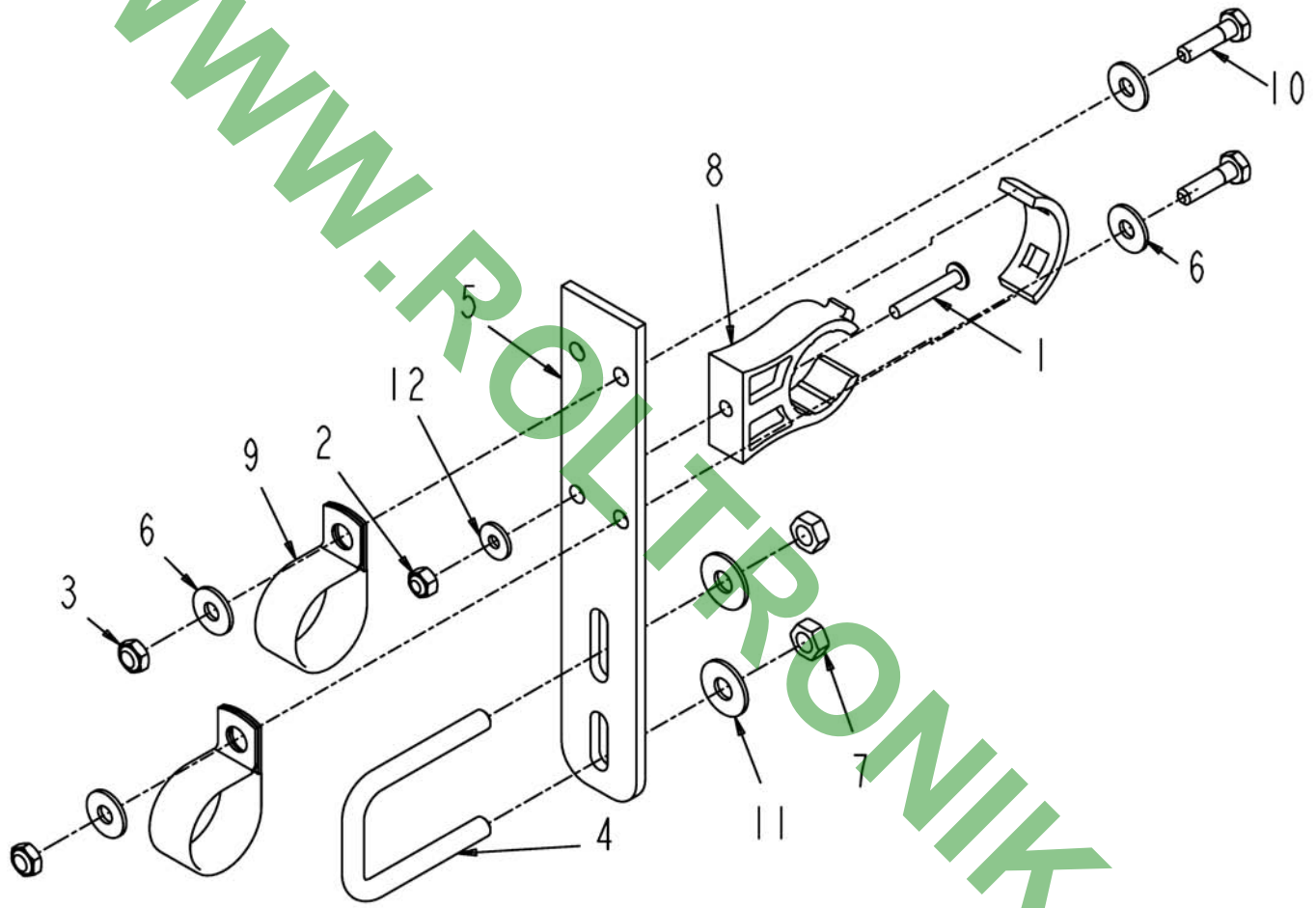


ITEM	PART #	QTY	DESCRIPTION	COMMENTS
1	AG027275	2	NUT,NY-LOCK 1/4-20 SS HX (P)	
2	AG231204	1	BOLT-U .31-18X1.88X2.63	[A]
3	AG232784	1	BRACKET STAND OFF WET BOOM	[B]
4	AG515121	4	WASHER 0.25 FL SS REG	
5	AG516403	2	NUT 0.31-18NC HEX ESNA SS	
6	AG518326	1	CLAMP 3/4 INCH PIPE (RTG)	[C]
7	AG560480	1	CLAMP 1.25-COATED HOSE CO	
8	AG562074	2	WASHER FL 0.31 SS REG	
9	AG563061	2	BOLT 0.25-20NCX 3.25 SS HDD	
10	AG609777	2	INSERT STAUFF SPACER	[D]
	FOOTNOTE [A]		WASHER AG562074, NUT AG516403	
	FOOTNOTE [B]		TO BE USED W/TRIPLE NOZZLE BODIES, ALSO REF. AG231116	
	FOOTNOTE [C]		FOR 1 POLY CLAMP USE AG519748, THIS PART COMES WITH 2 SPACERS-AG609777	
	FOOTNOTE [C]		UNDER AG518326 YOU GET BOTH HALVES TO MAKE 1 CLAMP WITH INSERTS LESS	
	FOOTNOTE [C]		THE BOLTS AND NUTS. BOLT AG563061, NUT AG027275, WASHER AG515121	
	FOOTNOTE [D]		USED ON AG518339, AG518340 AND AG520133 CLAMP	



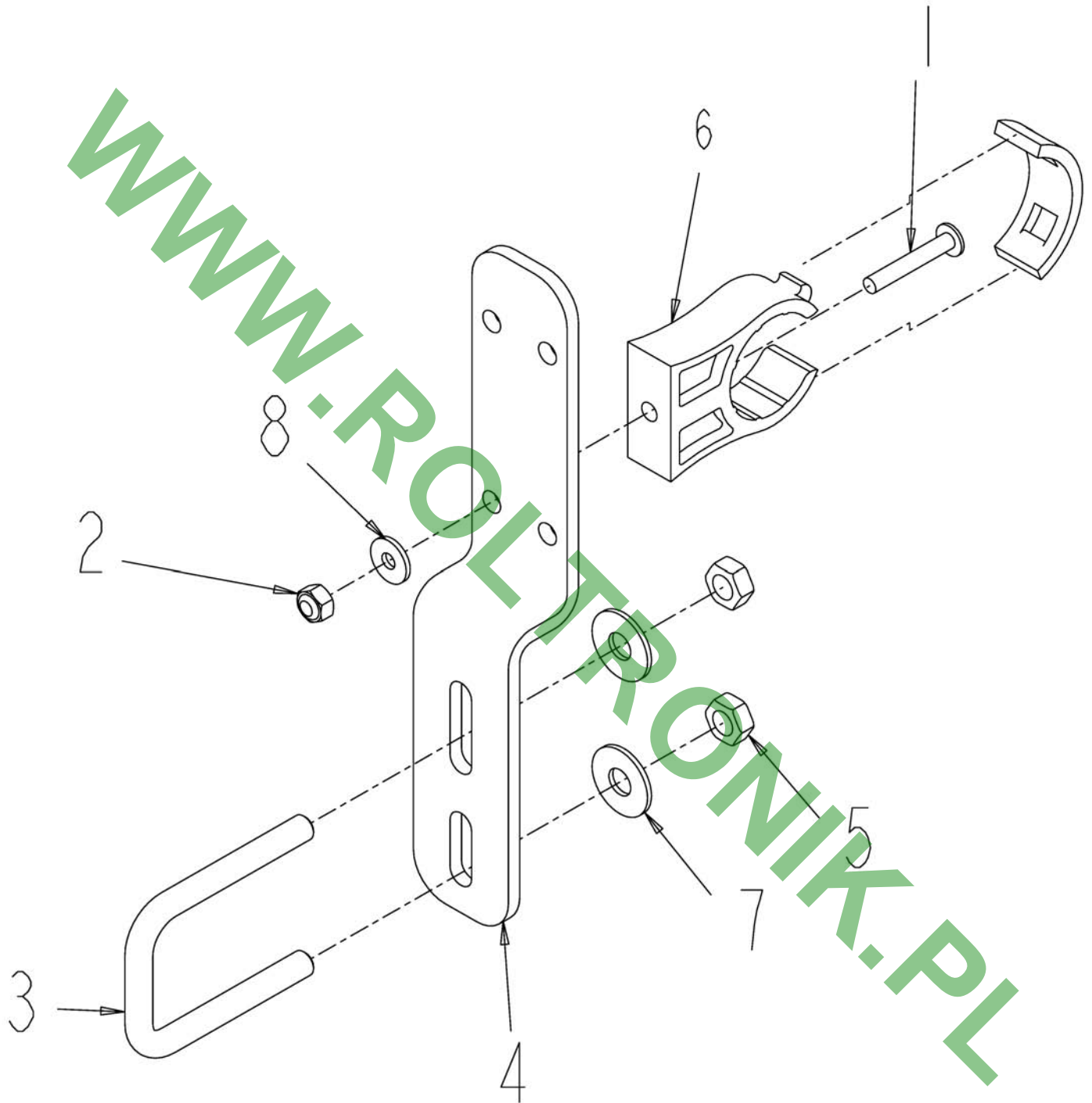
ITEM	PART #	QTY	DESCRIPTION	COMMENTS
1	AG027273	2	SCREW 10-24X 1.25 PHD PHILSS(P)	
2	AG027274	2	NUT 10-24NCSS LGT HX NY INS(P)	
3	AG234375	1	BRACKET LONG STANDOFF	
4	AG261322	1	BOLT-U, .31-18X1.56X2.97SQ,SS	
5	AG516403	2	NUT 0.31-18NC HEX ESNA SS	
6	AG519749	2	CLAMP 1.00 IPS POLY	[A]
7	AG562074	2	WASHER FL 0.31 SS REG	
8	AG562082	2	WASHER #10 FL SS SAE	
	FOOTNOTE [A]		SCREWS - AG027273, WASHERS - AG562082	

WWW.ROLTRONIK.PL



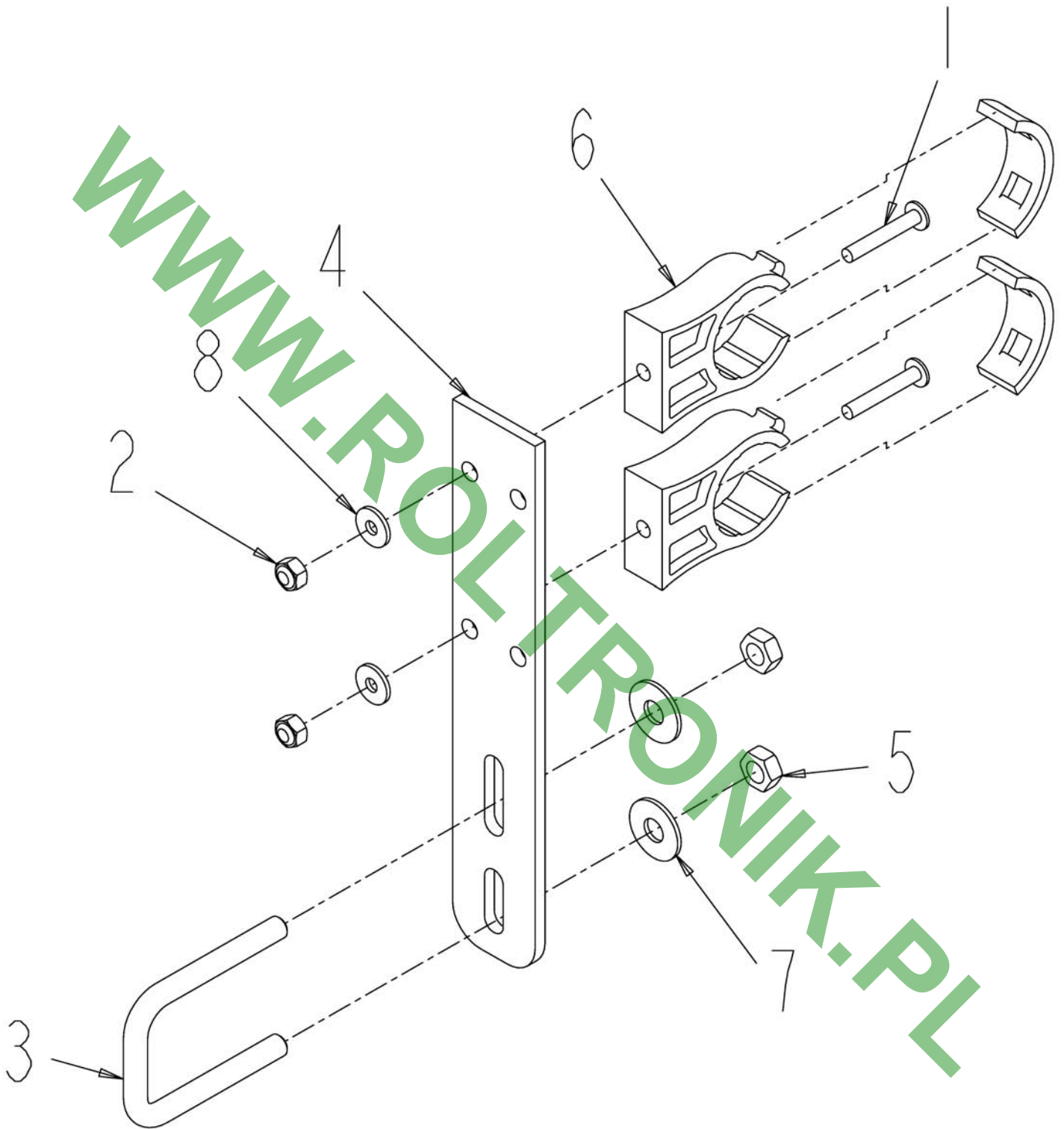
ITEM	PART #	QTY	DESCRIPTION	COMMENTS
1	AG027273	1	SCREW 10-24X 1.25 PHD PHILSS(P)	
2	AG027274	1	NUT 10-24NCSS LGT HX NY INS(P)	
3	AG027275	2	NUT,NY-LOCK 1/4-20 SS HX (P)	
4	AG231204	1	BOLT-U .31-18X1.88X2.63	[A]
5	AG234375	1	BRACKET LONG STANDOFF	
6	AG515121	4	WASHER 0.25 FL SS REG	
7	AG516403	2	NUT 0.31-18NC HEX ESNA SS	
8	AG519749	1	CLAMP 1.00 IPS POLY	[B]
9	AG519751	2	CLAMP 1.38 DIA COATED HOSE	
10	AG562064	2	BOLT 0.25-20NCX 1.00 S.S. HDD	[C]
11	AG562074	2	WASHER FL 0.31 SS REG	
12	AG562082	1	WASHER #10 FL SS SAE	
	FOOTNOTE [A]		WASHER AG562074, NUT AG516403	
	FOOTNOTE [B]		SCREWS - AG027273, WASHERS - AG562082	
	FOOTNOTE [C]		STAINLESS STEEL	

WWW.ROLTRONIK.PL



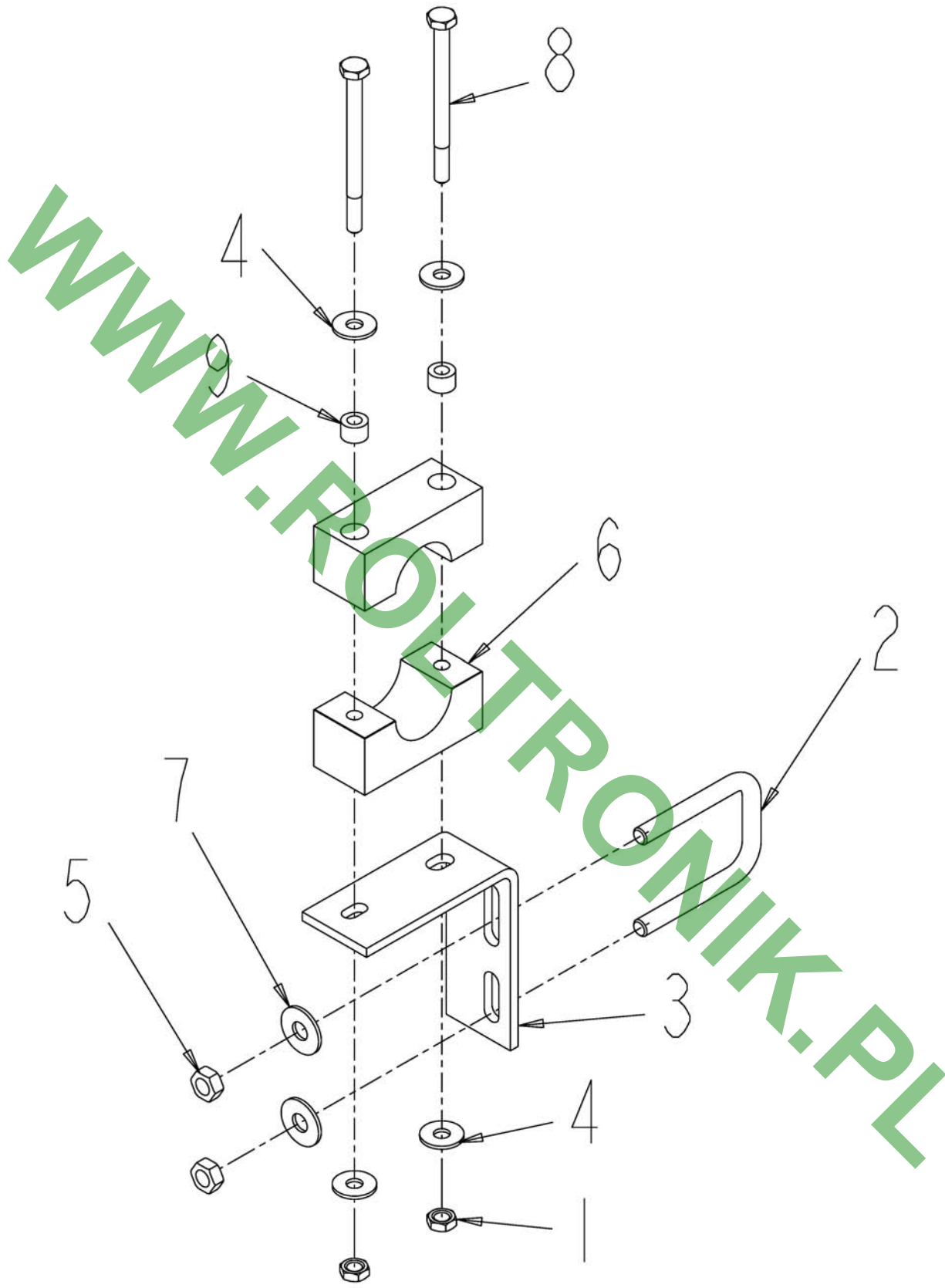
ITEM	PART #	QTY	DESCRIPTION	COMMENTS
1	AG027273	1	SCREW 10-24X 1.25 PHD PHILSS(P)	
2	AG027274	1	NUT 10-24NCSS LGT HX NY INS(P)	
3	AG231204	1	BOLT-U .31-18X1.88X2.63	[A]
4	AG239928	1	BRACKET-STANDOFF	
5	AG516403	2	NUT 0.31-18NC HEX ESNA SS	
6	AG519749	1	CLAMP 1.00 IPS POLY	[B]
7	AG562074	2	WASHER FL 0.31 SS REG	
8	AG562082	1	WASHER #10 FL SS SAE	
	FOOTNOTE [A]		WASHER AG562074, NUT AG516403	
	FOOTNOTE [B]		SCREWS - AG027273, WASHERS - AG562082	

WWW.ROLTRONIK.PL



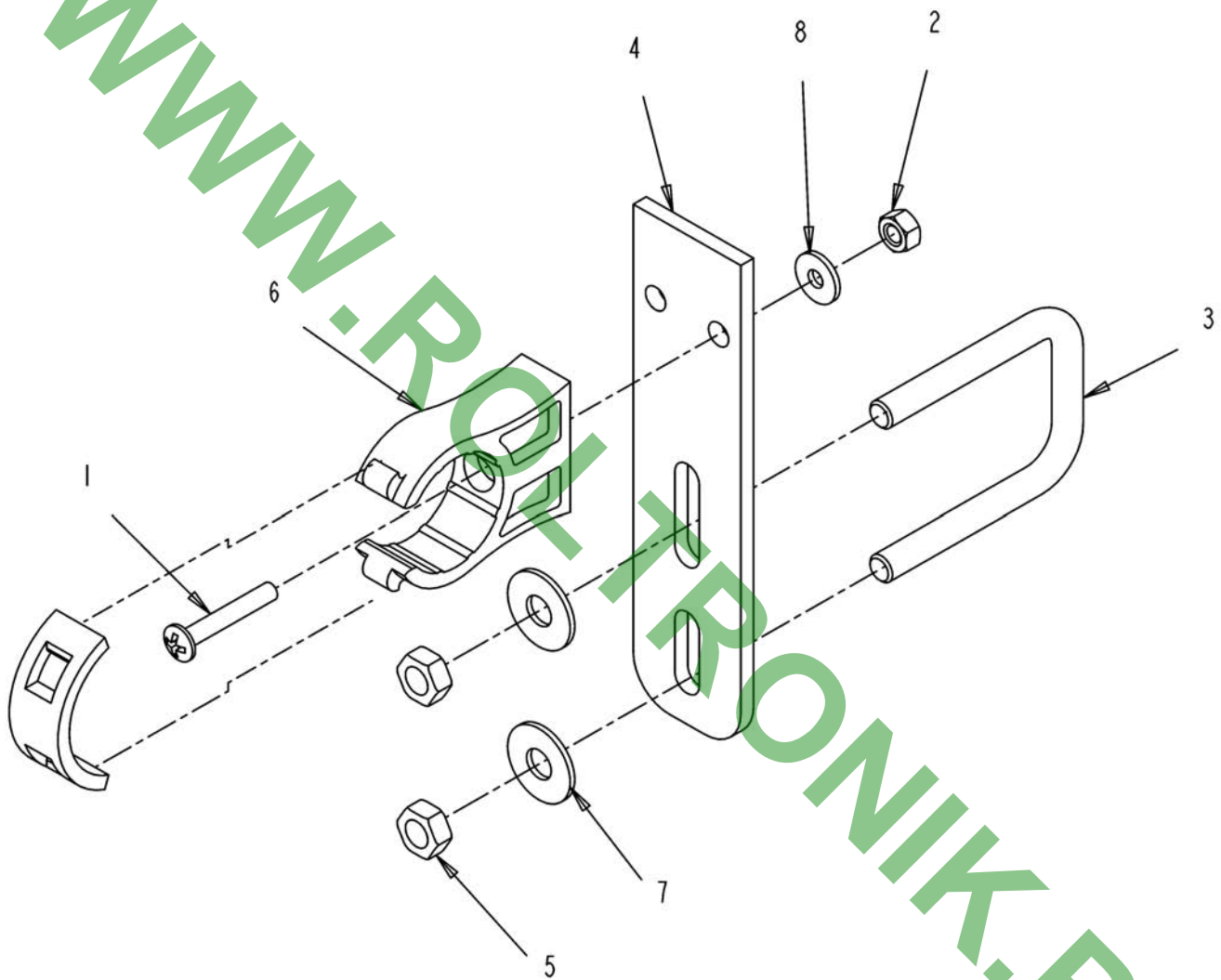
ITEM	PART #	QTY	DESCRIPTION	COMMENTS
1	AG027273	2	SCREW 10-24X 1.25 PHD PHILSS(P)	
2	AG027274	2	NUT 10-24NCSS LGT HX NY INS(P)	
3	AG231204	1	BOLT-U .31-18X1.88X2.63	[A]
4	AG234375	1	BRACKET LONG STANDOFF	
5	AG516403	2	NUT 0.31-18NC HEX ESNA SS	
6	AG519749	2	CLAMP 1.00 IPS POLY	[B]
7	AG562074	2	WASHER FL 0.31 SS REG	
8	AG562082	2	WASHER #10 FL SS SAE	
	FOOTNOTE [A]		WASHER AG562074, NUT AG516403	
	FOOTNOTE [B]		SCREWS - AG027273, WASHERS - AG562082	

WWW.ROLTRONIK.PL



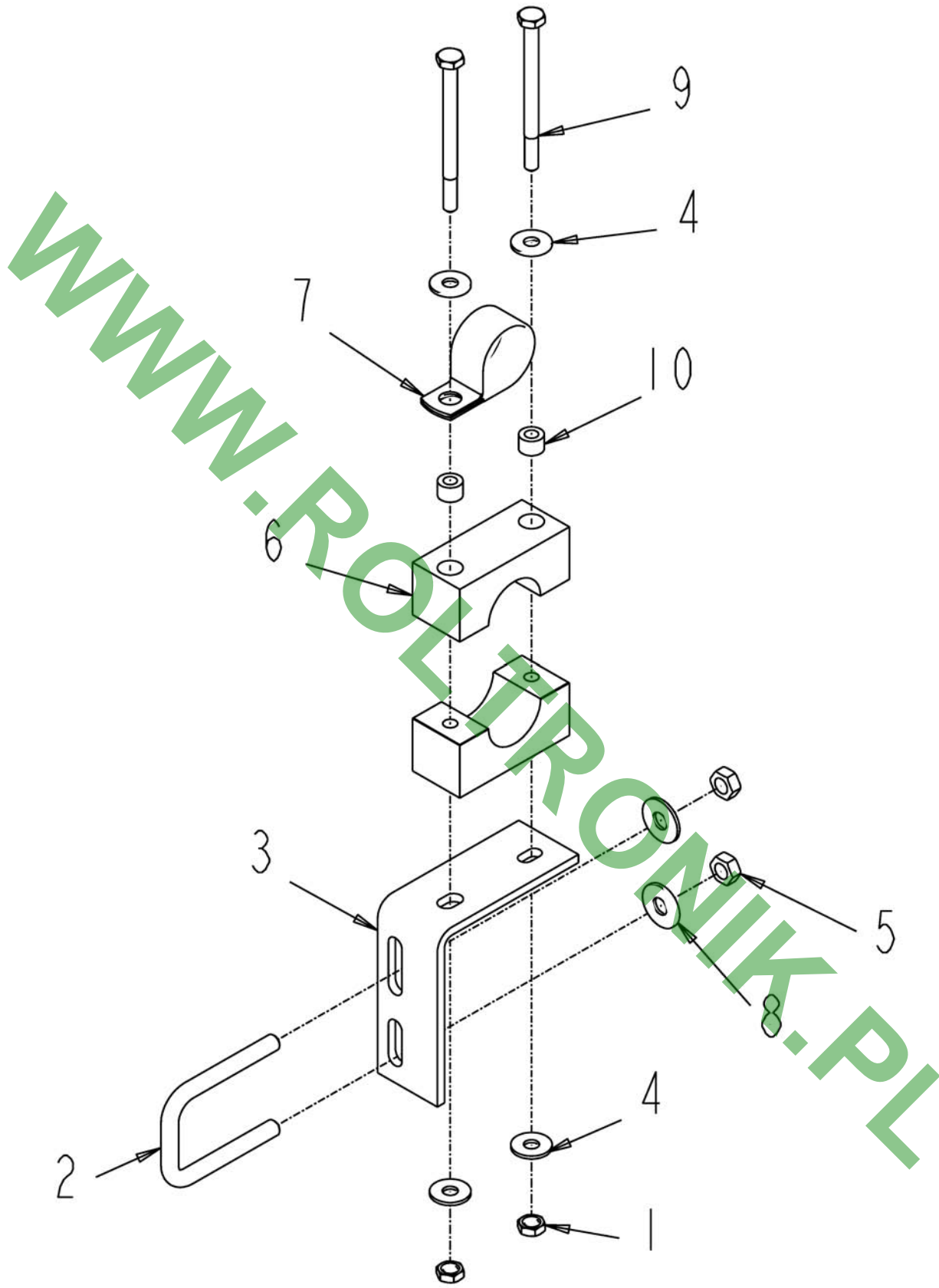
ITEM	PART #	QTY	DESCRIPTION	COMMENTS
1	AG027275	2	NUT,NY-LOCK 1/4-20 SS HX (P)	
2	AG231204	1	BOLT-U .31-18X1.88X2.63	[A]
3	AG232784	1	BRACKET STAND OFF WET BOOM	[B]
4	AG515121	4	WASHER 0.25 FL SS REG	
5	AG516403	2	NUT 0.31-18NC HEX ESNA SS	
6	AG519748	1	CLAMP 1.00 PIPE	[C]
7	AG562074	2	WASHER FL 0.31 SS REG	
8	AG563061	2	BOLT 0.25-20NCX 3.25 SS HHD	
9	AG609777	2	INSERT STAUFF SPACER	[D]
	FOOTNOTE [A]		WASHER AG562074, NUT AG516403	
	FOOTNOTE [B]		TO BE USED W/TRIPLE NOZZLE BODIES, ALSO REF. AG231116	
	FOOTNOTE [C]		2 INSERTS AND 2 CLAMP MAKE UP 1 PART. BOLT - AG563061, WASHER - AG515121, NUT - AG027275,	
	FOOTNOTE [D]		USED ON AG518339, AG518340 AND AG520133 CLAMP	

WWW.ROLTRONIK.PL

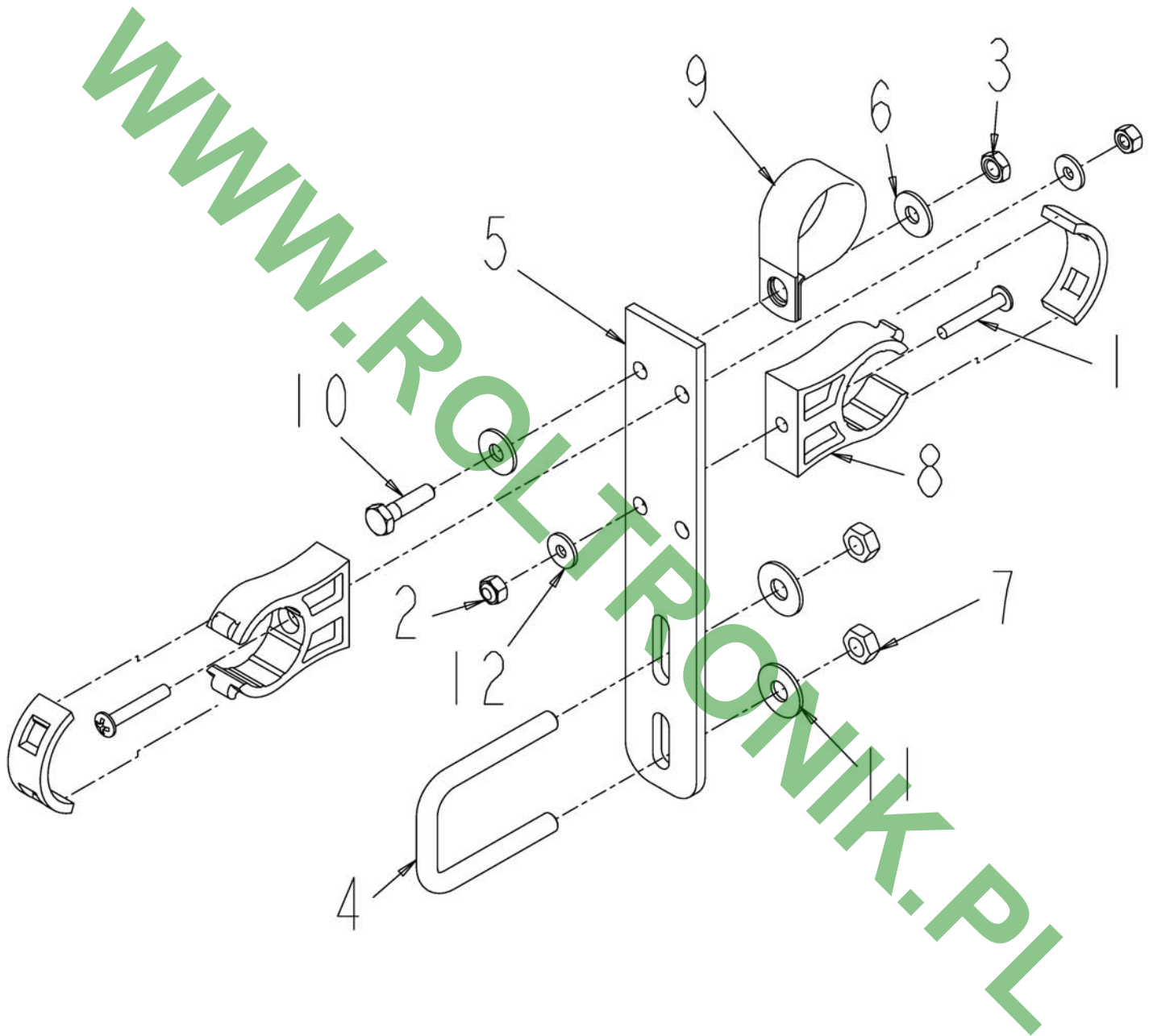


ITEM	PART #	QTY	DESCRIPTION	COMMENTS
1	AG027273	1	SCREW 10-24X 1.25 PHD PHILSS(P)	
2	AG027274	1	NUT 10-24NCSS LGT HX NY INS(P)	
3	AG231204	1	BOLT-U .31-18X1.88X2.63	[A]
4	AG234373	1	BRACKET SHORT STANDOFF	
5	AG516403	2	NUT 0.31-18NC HEX ESNA SS	
6	AG519749	1	CLAMP 1.00 IPS POLY	[B]
7	AG562074	2	WASHER FL 0.31 SS REG	
8	AG562082	1	WASHER #10 FL SS SAE	
	FOOTNOTE [A]		WASHER AG562074, NUT AG516403	
	FOOTNOTE [B]		SCREWS - AG027273, WASHERS - AG562082	

WWW.ROLTRONIK.PL

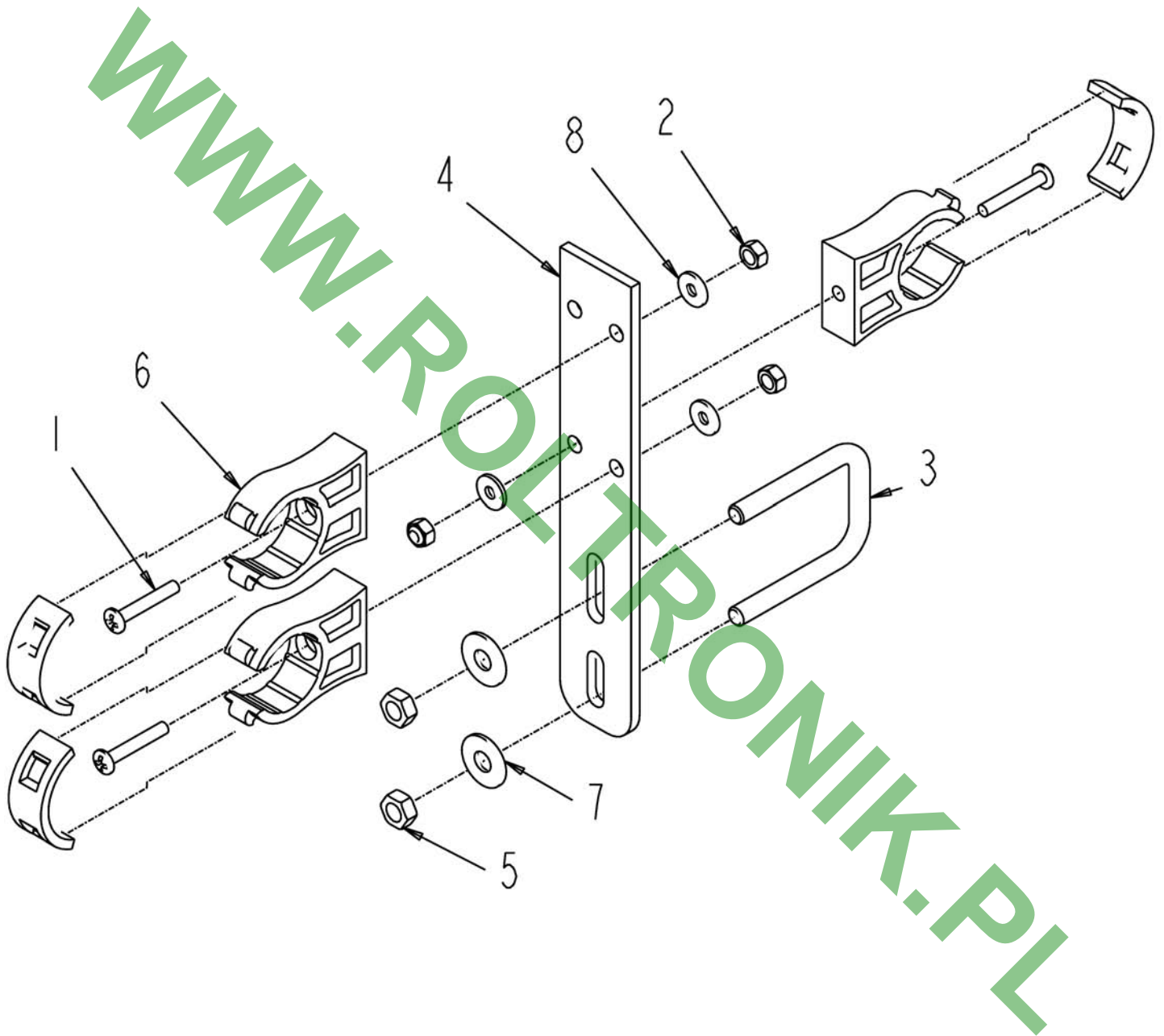


ITEM	PART #	QTY	DESCRIPTION	COMMENTS
1	AG027275	2	NUT,NY-LOCK 1/4-20 SS HX (P)	
2	AG231204	1	BOLT-U .31-18X1.88X2.63	[A]
3	AG232784	1	BRACKET STAND OFF WET BOOM	[B]
4	AG515121	4	WASHER 0.25 FL SS REG	
5	AG516403	2	NUT 0.31-18NC HEX ESNA SS	
6	AG519748	1	CLAMP 1.00 PIPE	[C]
7	AG560480	1	CLAMP 1.25-COATED HOSE CO	
8	AG562074	2	WASHER FL 0.31 SS REG	
9	AG563061	2	BOLT 0.25-20NCX 3.25 SS HHD	
10	AG609777	2	INSERT STAUFF SPACER	[D]
	FOOTNOTE [A]		WASHER AG562074, NUT AG516403	
	FOOTNOTE [B]		TO BE USED W/TRIPLE NOZZLE BODIES, ALSO REF. AG231116	
	FOOTNOTE [C]		2 INSERTS AND 2 CLAMP MAKE UP 1 PART. BOLT - AG563061, WASHER - AG515121, NUT - AG027275,	
	FOOTNOTE [D]		USED ON AG518339, AG518340 AND AG520133 CLAMP	



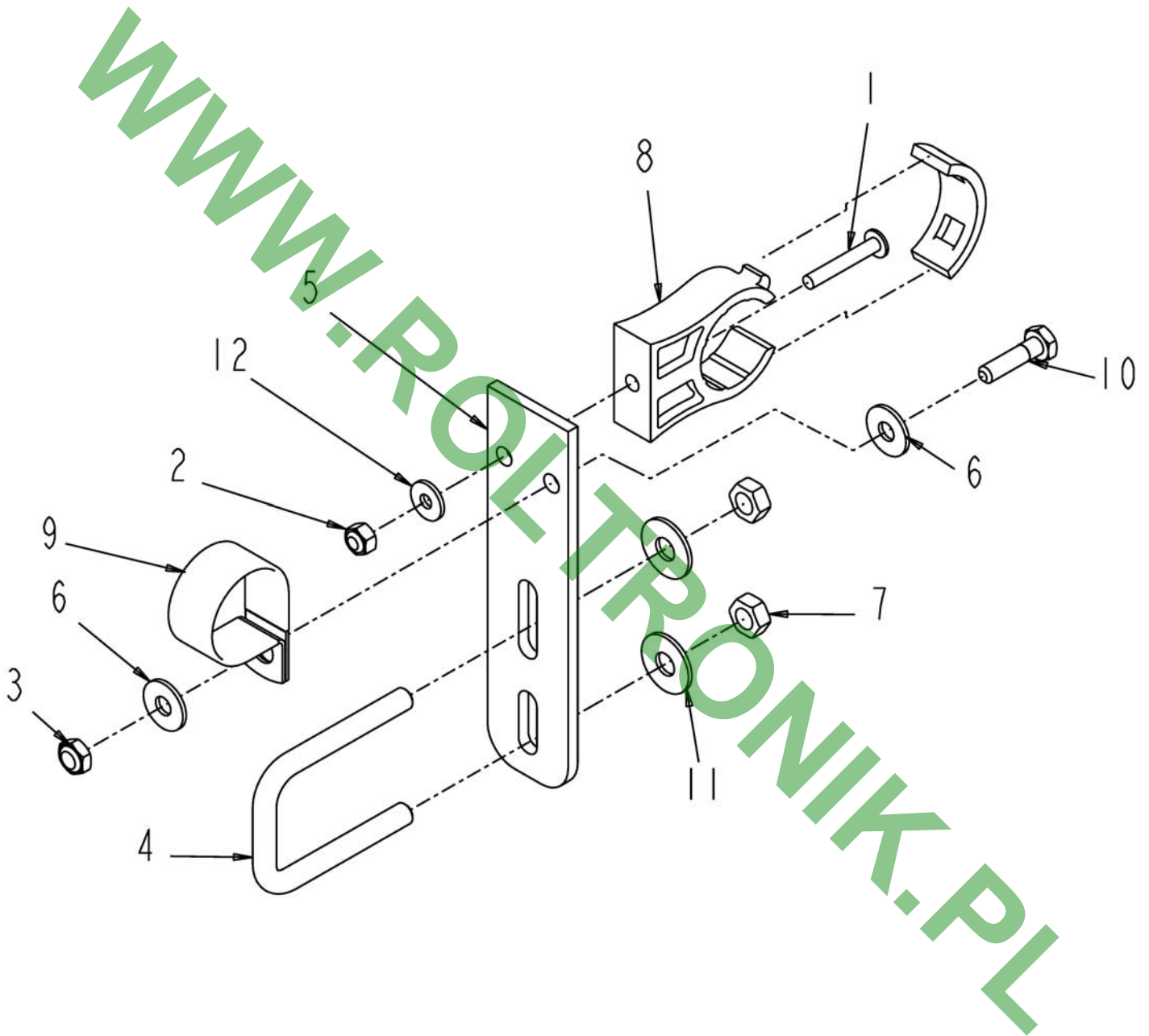
ITEM	PART #	QTY	DESCRIPTION	COMMENTS
1	AG027273	2	SCREW 10-24X 1.25 PHD PHILSS(P)	
2	AG027274	2	NUT 10-24NCSS LGT HX NY INS(P)	
3	AG027275	1	NUT,NY-LOCK 1/4-20 SS HX (P)	
4	AG231204	1	BOLT-U .31-18X1.88X2.63	[A]
5	AG234375	1	BRACKET LONG STANDOFF	
6	AG515121	2	WASHER 0.25 FL SS REG	
7	AG516403	2	NUT 0.31-18NC HEX ESNA SS	
8	AG519749	2	CLAMP 1.00 IPS POLY	[B]
9	AG519751	1	CLAMP 1.38 DIA COATED HOSE	
10	AG562064	1	BOLT 0.25-20NCX 1.00 S.S. HDD	[C]
11	AG562074	2	WASHER FL 0.31 SS REG	
12	AG562082	2	WASHER #10 FL SS SAE	
	FOOTNOTE [A]		WASHER AG562074, NUT AG516403	
	FOOTNOTE [B]		SCREWS - AG027273, WASHERS - AG562082	
	FOOTNOTE [C]		STAINLESS STEEL	

WWW.ROLTRONIK.PL



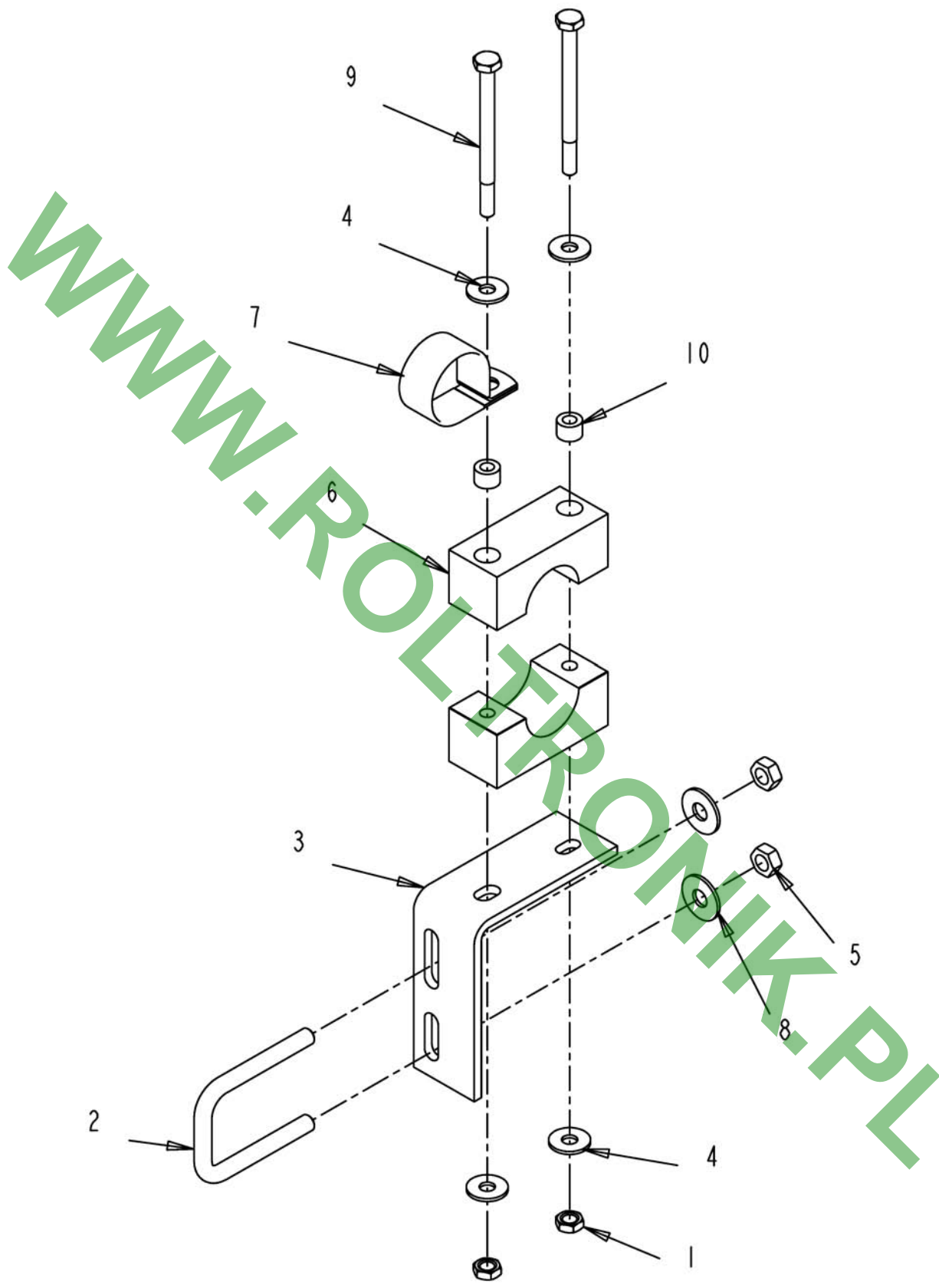
ITEM	PART #	QTY	DESCRIPTION	COMMENTS
1	AG027273	3	SCREW 10-24X 1.25 PHD PHILSS(P)	
2	AG027274	3	NUT 10-24NCSS LGT HX NY INS(P)	
3	AG231204	1	BOLT-U .31-18X1.88X2.63	[A]
4	AG234375	1	BRACKET LONG STANDOFF	
5	AG516403	2	NUT 0.31-18NC HEX ESNA SS	
6	AG519749	2	CLAMP 1.00 IPS POLY	[B]
7	AG562074	2	WASHER FL 0.31 SS REG	
8	AG562082	3	WASHER #10 FL SS SAE	
	FOOTNOTE [A]		WASHER AG562074, NUT AG516403	
	FOOTNOTE [B]		SCREWS - AG027273, WASHERS - AG562082	

WWW.ROLTRONIK.PL

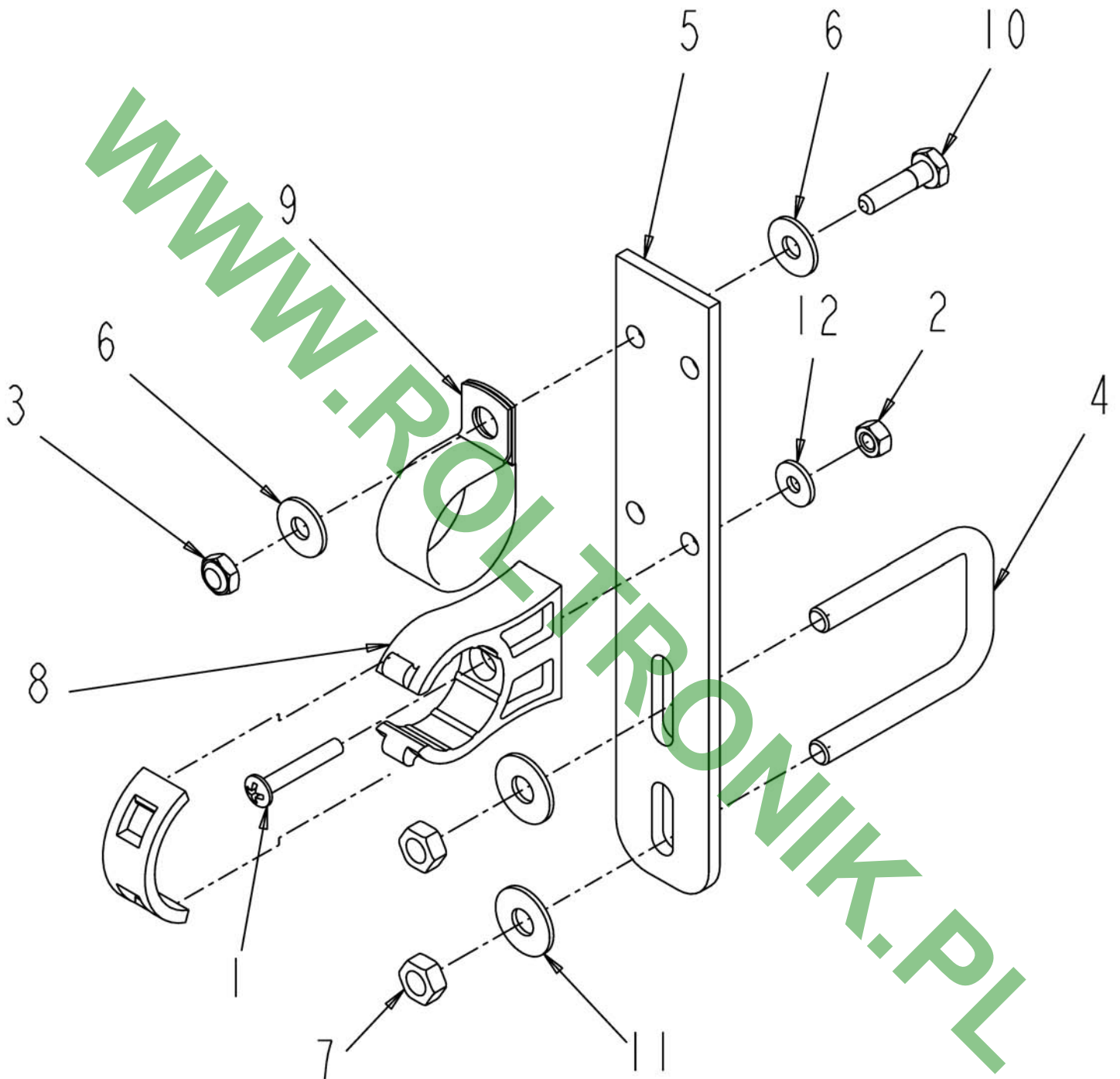


ITEM	PART #	QTY	DESCRIPTION	COMMENTS
1	AG027273	1	SCREW 10-24X 1.25 PHD PHILSS(P)	
2	AG027274	1	NUT 10-24NCSS LGT HX NY INS(P)	
3	AG027275	1	NUT,NY-LOCK 1/4-20 SS HX (P)	
4	AG231204	1	BOLT-U .31-18X1.88X2.63	[A]
5	AG234373	1	BRACKET SHORT STANDOFF	
6	AG515121	2	WASHER 0.25 FL SS REG	
7	AG516403	2	NUT 0.31-18NC HEX ESNA SS	
8	AG519749	1	CLAMP 1.00 IPS POLY	[B]
9	AG519751	1	CLAMP 1.38 DIA COATED HOSE	
10	AG562064	1	BOLT 0.25-20NCX 1.00 S.S. HDD	[C]
11	AG562074	2	WASHER FL 0.31 SS REG	
12	AG562082	1	WASHER #10 FL SS SAE	
	FOOTNOTE [A]		WASHER AG562074, NUT AG516403	
	FOOTNOTE [B]		SCREWS - AG027273, WASHERS - AG562082	
	FOOTNOTE [C]		STAINLESS STEEL	

WWW.ROLTRONIK.PL

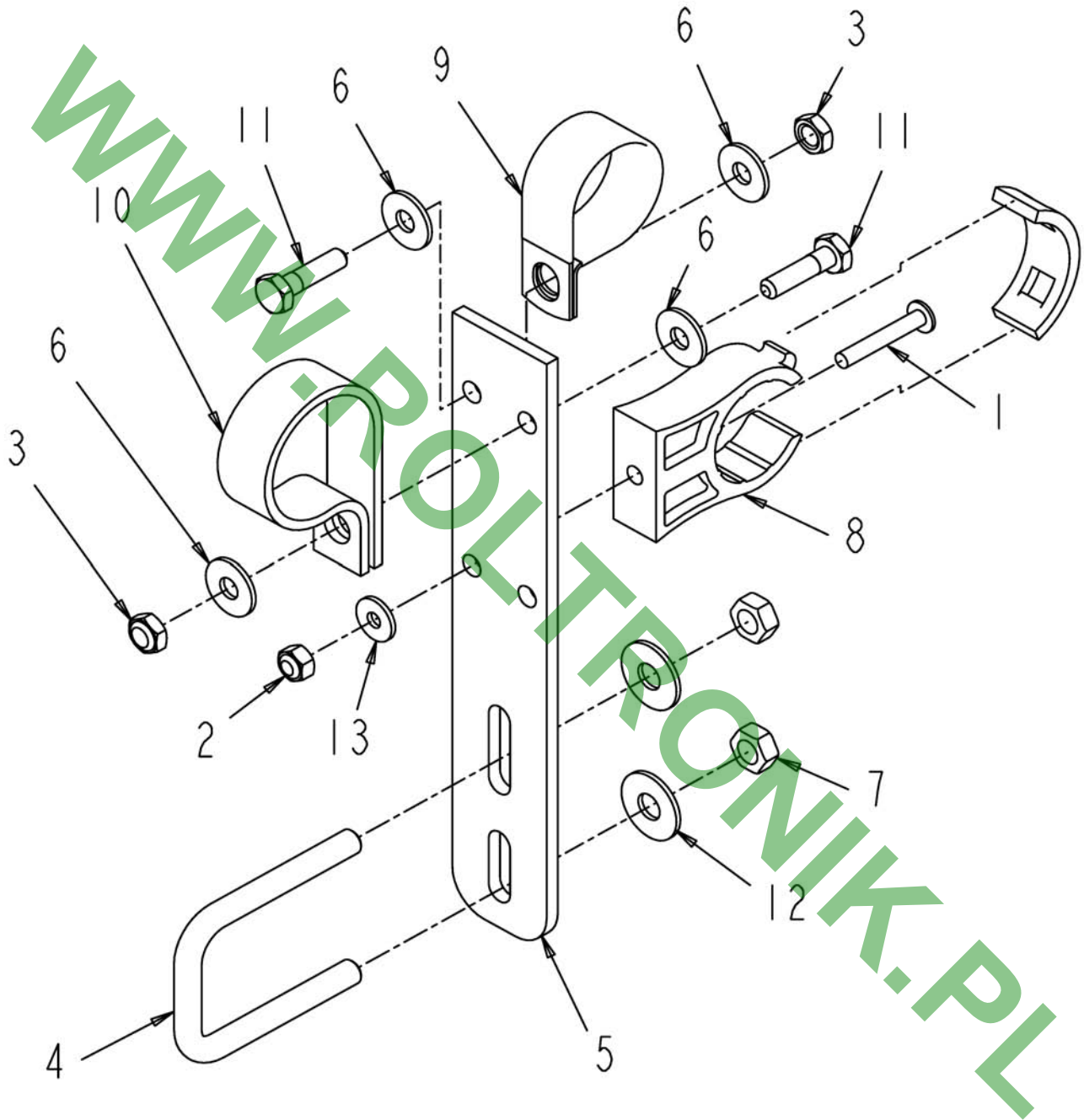


ITEM	PART #	QTY	DESCRIPTION	COMMENTS
1	AG027275	2	NUT,NY-LOCK 1/4-20 SS HX (P)	
2	AG231204	1	BOLT-U .31-18X1.88X2.63	[A]
3	AG232784	1	BRACKET STAND OFF WET BOOM	[B]
4	AG515121	4	WASHER 0.25 FL SS REG	
5	AG516403	2	NUT 0.31-18NC HEX ESNA SS	
6	AG519748	1	CLAMP 1.00 PIPE	[C]
7	AG560480	1	CLAMP 1.25-COATED HOSE CO	
8	AG562074	2	WASHER FL 0.31 SS REG	
9	AG563061	2	BOLT 0.25-20NCX 3.25 SS HHD	
10	AG609777	2	INSERT STAUFF SPACER	[D]
	FOOTNOTE [A]		WASHER AG562074, NUT AG516403	
	FOOTNOTE [B]		TO BE USED W/TRIPLE NOZZLE BODIES, ALSO REF. AG231116	
	FOOTNOTE [C]		2 INSERTS AND 2 CLAMP MAKE UP 1 PART. BOLT - AG563061, WASHER - AG515121, NUT - AG027275,	
	FOOTNOTE [D]		USED ON AG518339, AG518340 AND AG520133 CLAMP	

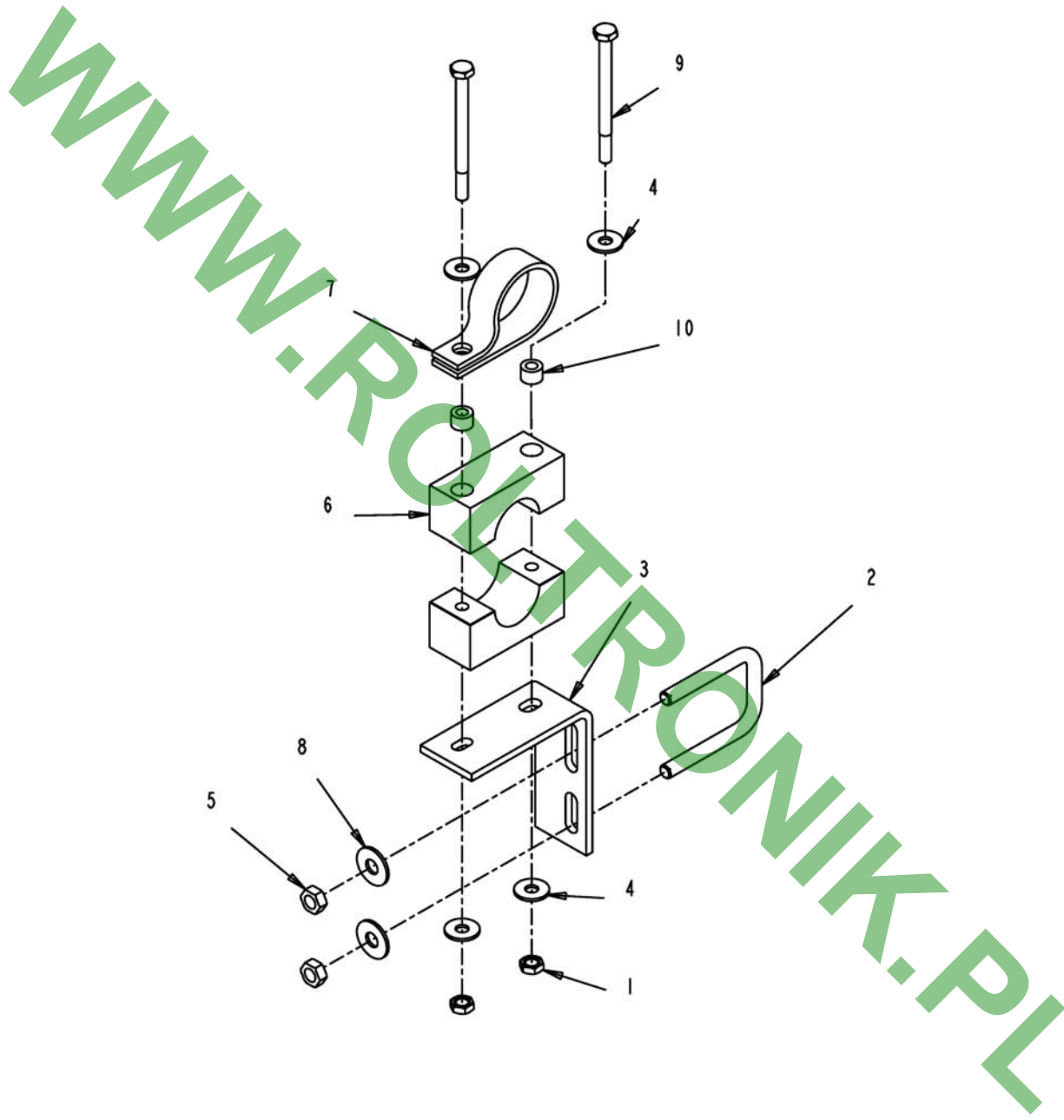


ITEM	PART #	QTY	DESCRIPTION	COMMENTS
1	AG027273	1	SCREW 10-24X 1.25 PHD PHILSS(P)	
2	AG027274	1	NUT 10-24NCSS LGT HX NY INS(P)	
3	AG027275	1	NUT,NY-LOCK 1/4-20 SS HX (P)	
4	AG231204	1	BOLT-U .31-18X1.88X2.63	[A]
5	AG234375	1	BRACKET LONG STANDOFF	
6	AG515121	2	WASHER 0.25 FL SS REG	
7	AG516403	2	NUT 0.31-18NC HEX ESNA SS	
8	AG519749	1	CLAMP 1.00 IPS POLY	[B]
9	AG519751	1	CLAMP 1.38 DIA COATED HOSE	
10	AG562064	1	BOLT 0.25-20NCX 1.00 S.S. HDD	[C]
11	AG562074	2	WASHER FL 0.31 SS REG	
12	AG562082	1	WASHER #10 FL SS SAE	
	FOOTNOTE [A]		WASHER AG562074, NUT AG516403	
	FOOTNOTE [B]		SCREWS - AG027273, WASHERS - AG562082	
	FOOTNOTE [C]		STAINLESS STEEL	

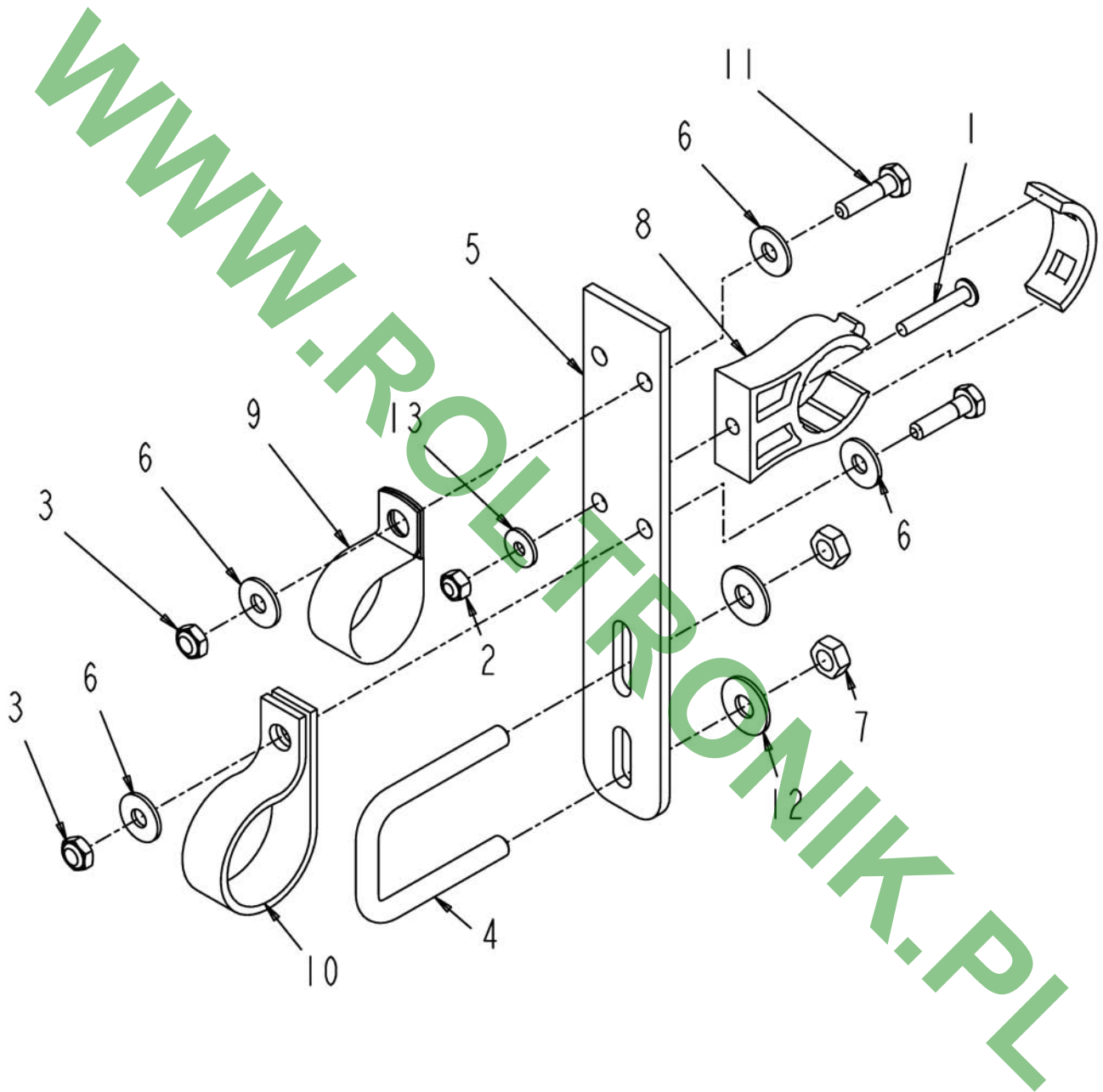
WWW.ROLTRONIK.PL



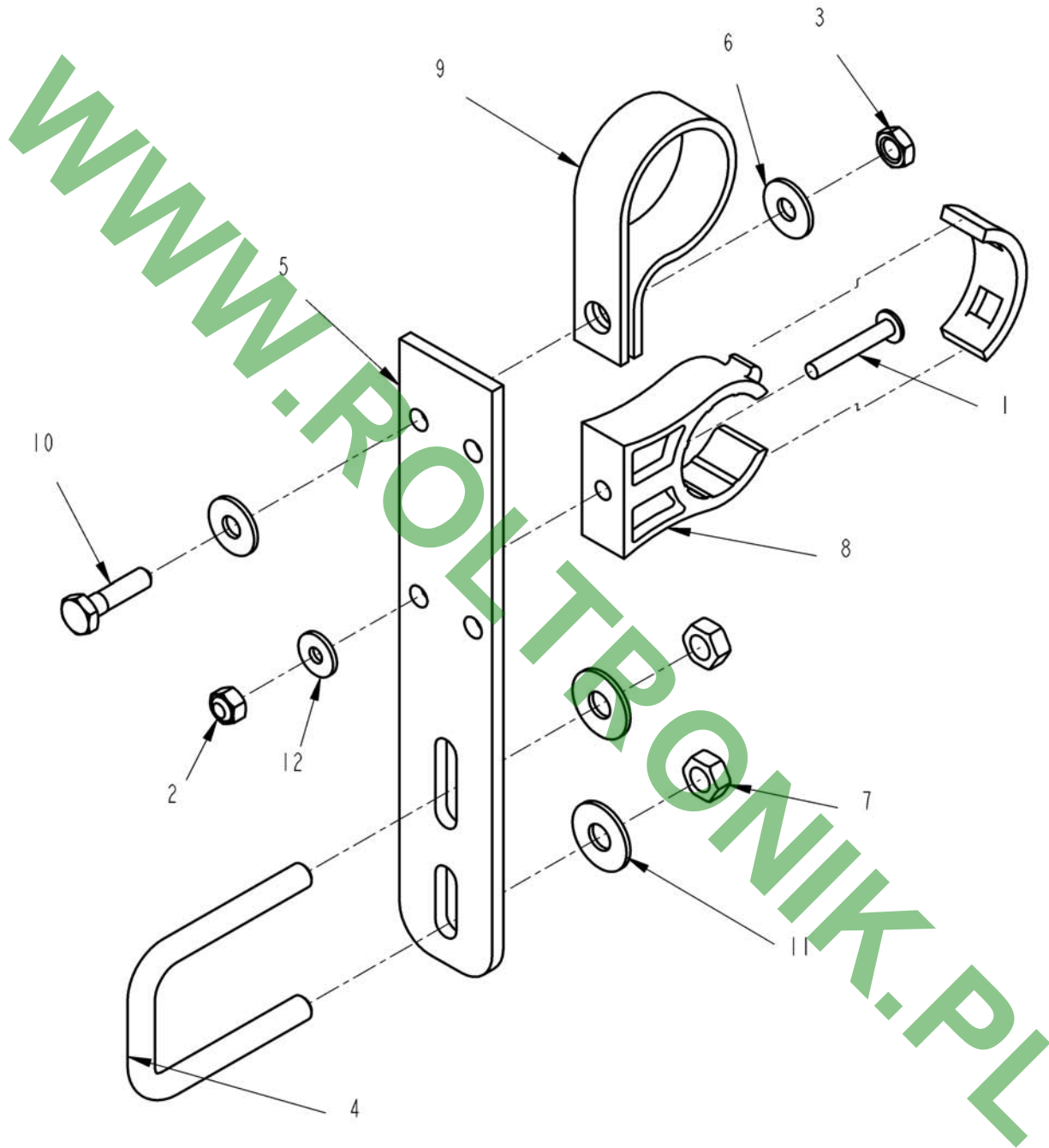
ITEM	PART #	QTY	DESCRIPTION	COMMENTS
1	AG027273	1	SCREW 10-24X 1.25 PHD PHILSS(P	
2	AG027274	1	NUT 10-24NCSS LGT HX NY INS(P)	
3	AG027275	2	NUT,NY-LOCK 1/4-20 SS HX (P)	
4	AG231204	1	BOLT-U .31-18X1.88X2.63	[A]
5	AG234375	1	BRACKET LONG STANDOFF	
6	AG515121	4	WASHER 0.25 FL SS REG	
7	AG516403	2	NUT 0.31-18NC HEX ESNA SS	
8	AG519749	1	CLAMP 1.00 IPS POLY	[B]
9	AG519751	1	CLAMP 1.38 DIA COATED HOSE	
10	AG523412	1	CLAMP-1.62 DIA,COATED HOSE	
11	AG562064	2	BOLT 0.25-20NCX 1.00 S.S. HHD	[C]
12	AG562074	2	WASHER FL 0.31 SS REG	
13	AG562082	1	WASHER #10 FL SS SAE	
	FOOTNOTE [A]		WASHER AG562074, NUT AG516403	
	FOOTNOTE [B]		SCREWS - AG027273, WASHERS - AG562082	
	FOOTNOTE [C]		STAINLESS STEEL	



ITEM	PART #	QTY	DESCRIPTION	COMMENTS
1	AG027275	2	NUT,NY-LOCK 1/4-20 SS HX (P)	
2	AG231204	1	BOLT-U .31-18X1.88X2.63	[A]
3	AG232784	1	BRACKET STAND OFF WET BOOM	[B]
4	AG515121	4	WASHER 0.25 FL SS REG	
5	AG516403	2	NUT 0.31-18NC HEX ESNA SS	
6	AG519748	1	CLAMP 1.00 PIPE	[C]
7	AG523412	1	CLAMP-1.62 DIA,COATED HOSE	
8	AG562074	2	WASHER FL 0.31 SS REG	
9	AG563061	2	BOLT 0.25-20NCX 3.25 SS HHD	
10	AG609777	2	INSERT STAUFF SPACER	[D]
	FOOTNOTE [A]		WASHER AG562074, NUT AG516403	
	FOOTNOTE [B]		TO BE USED W/TRIPLE NOZZLE BODIES, ALSO REF. AG231116	
	FOOTNOTE [C]		2 INSERTS AND 2 CLAMP MAKE UP 1 PART. BOLT - AG563061, WASHER - AG515121, NUT - AG027275,	
	FOOTNOTE [D]		USED ON AG518339, AG518340 AND AG520133 CLAMP	

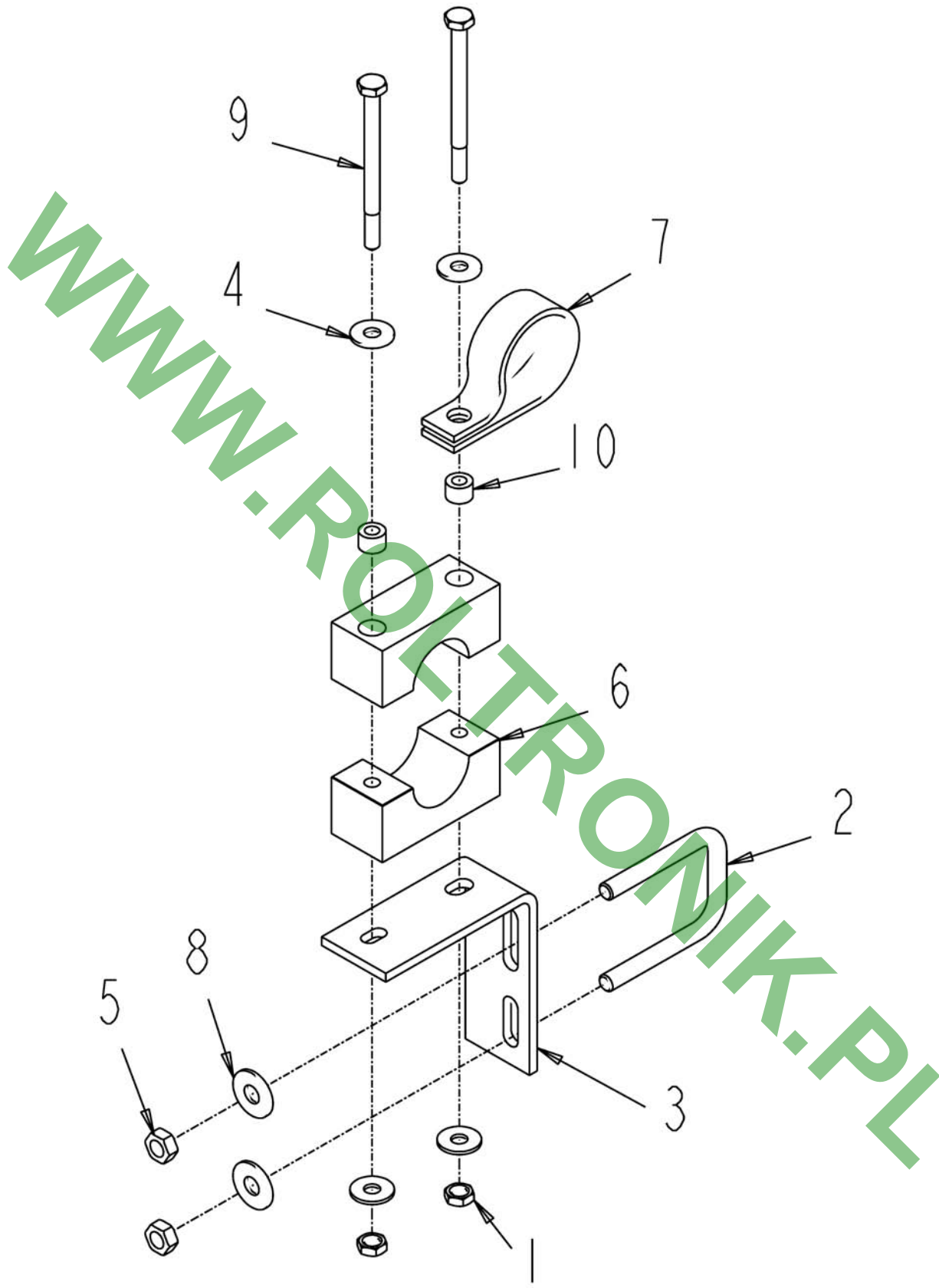


ITEM	PART #	QTY	DESCRIPTION	COMMENTS
1	AG027273	1	SCREW 10-24X 1.25 PHD PHILSS(P)	
2	AG027274	1	NUT 10-24NCSS LGT HX NY INS(P)	
3	AG027275	2	NUT,NY-LOCK 1/4-20 SS HX (P)	
4	AG231204	1	BOLT-U .31-18X1.88X2.63	[A]
5	AG234375	1	BRACKET LONG STANDOFF	
6	AG515121	4	WASHER 0.25 FL SS REG	
7	AG516403	2	NUT 0.31-18NC HEX ESNA SS	
8	AG519749	1	CLAMP 1.00 IPS POLY	[B]
9	AG519751	1	CLAMP 1.38 DIA COATED HOSE	
10	AG523412	1	CLAMP-1.62 DIA,COATED HOSE	
11	AG562064	2	BOLT 0.25-20NCX 1.00 S.S. HHD	[C]
12	AG562074	2	WASHER FL 0.31 SS REG	
13	AG562082	1	WASHER #10 FL SS SAE	
	FOOTNOTE [A]		WASHER AG562074, NUT AG516403	
	FOOTNOTE [B]		SCREWS - AG027273, WASHERS - AG562082	
	FOOTNOTE [C]		STAINLESS STEEL	

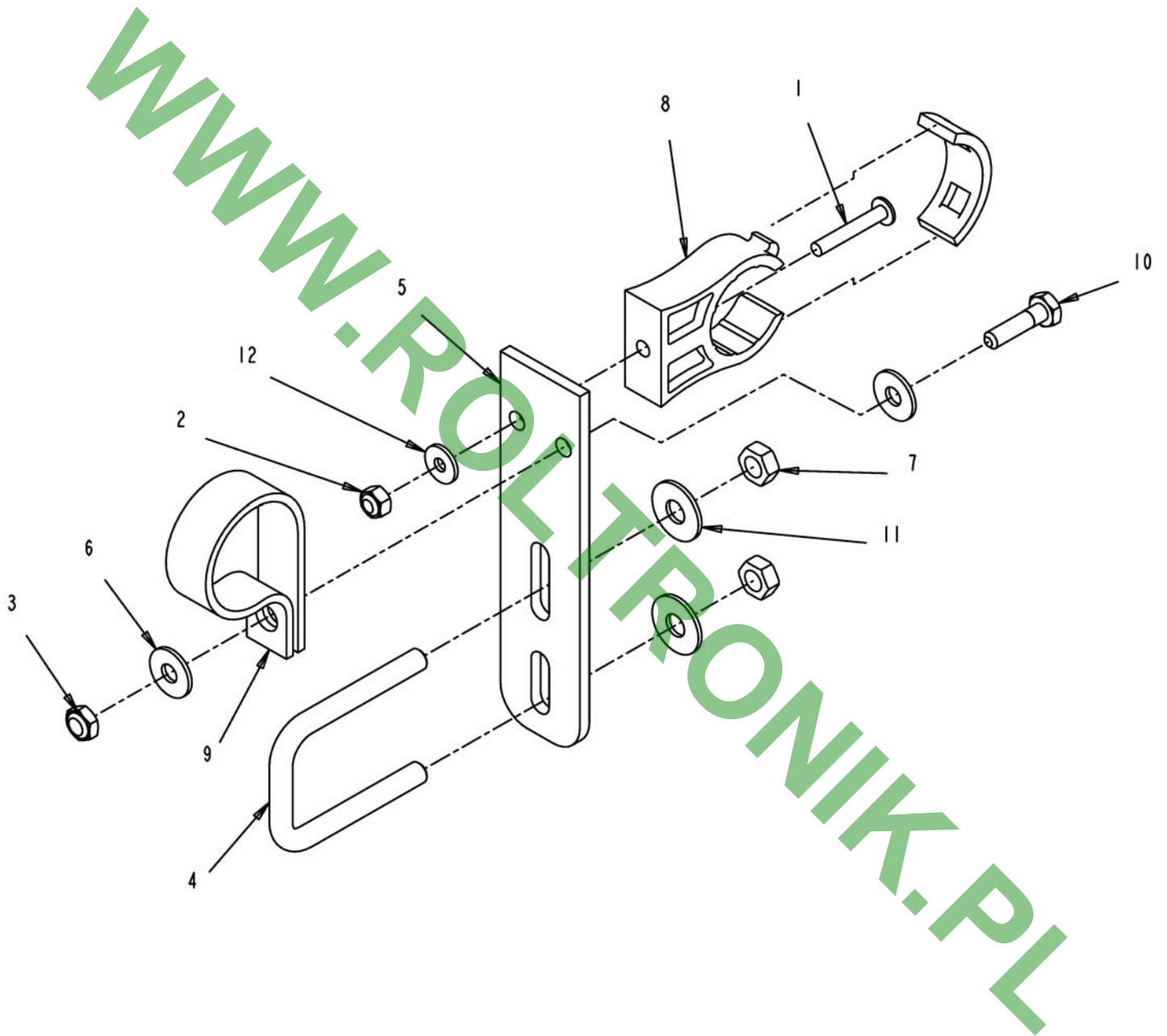


ITEM	PART #	QTY	DESCRIPTION	COMMENTS
1	AG027273	1	SCREW 10-24X 1.25 PHD PHILSS(P)	
2	AG027274	1	NUT 10-24NCSS LGT HX NY INS(P)	
3	AG027275	2	NUT,NY-LOCK 1/4-20 SS HX (P)	
4	AG231204	1	BOLT-U .31-18X1.88X2.63	[A]
5	AG234375	1	BRACKET LONG STANDOFF	
6	AG515121	4	WASHER 0.25 FL SS REG	
7	AG516403	2	NUT 0.31-18NC HEX ESNA SS	
8	AG519749	1	CLAMP 1.00 IPS POLY	[B]
9	AG523412	1	CLAMP-1.62 DIA,COATED HOSE	
10	AG562064	2	BOLT 0.25-20NCX 1.00 S.S. HDD	[C]
11	AG562074	2	WASHER FL 0.31 SS REG	
12	AG562082	1	WASHER #10 FL SS SAE	
	FOOTNOTE [A]		WASHER AG562074, NUT AG516403	
	FOOTNOTE [B]		SCREWS - AG027273, WASHERS - AG562082	
	FOOTNOTE [C]		STAINLESS STEEL	

WWW.ROLTRONIK.PL

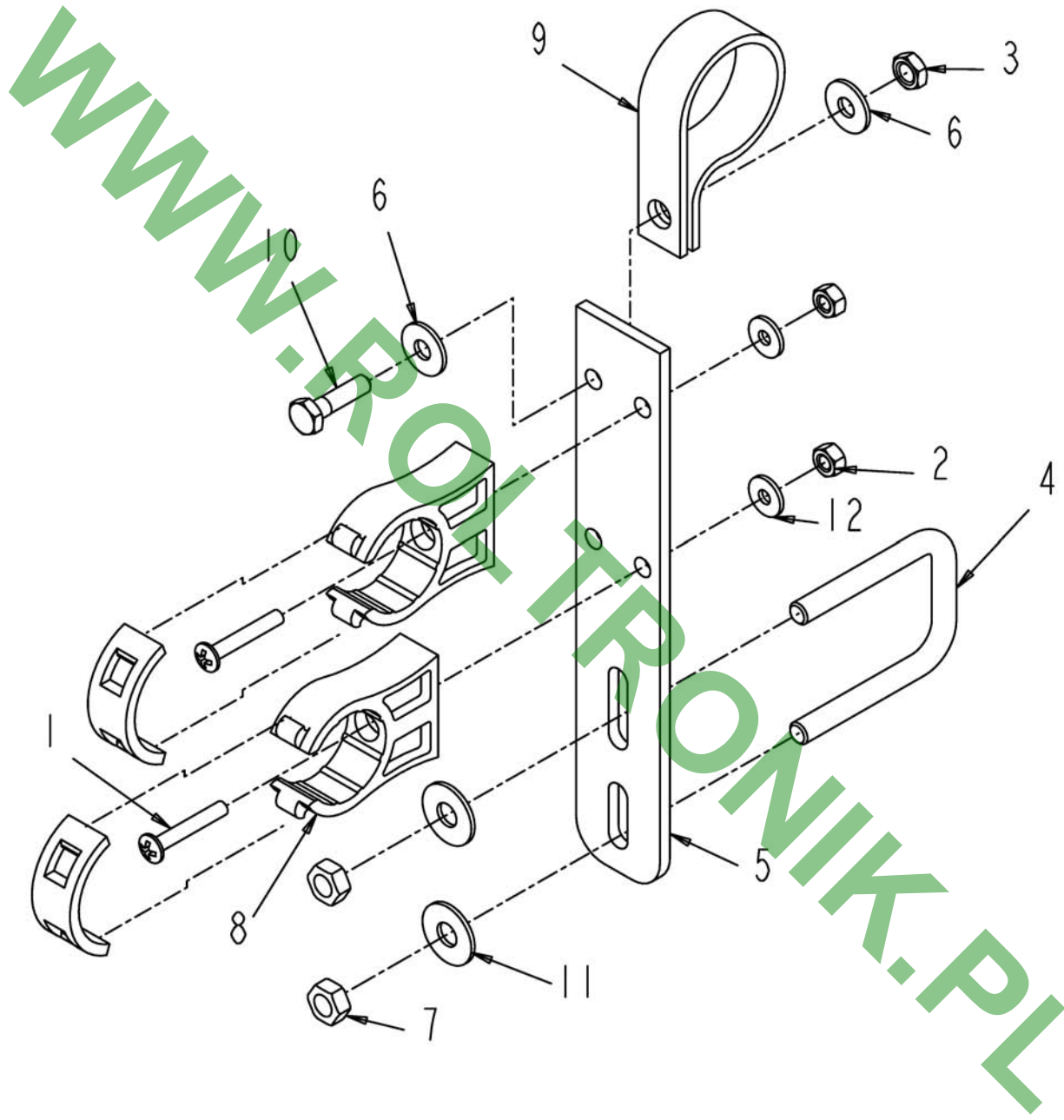


ITEM	PART #	QTY	DESCRIPTION	COMMENTS
1	AG027275	2	NUT,NY-LOCK 1/4-20 SS HX (P)	
2	AG231204	1	BOLT-U .31-18X1.88X2.63	[A]
3	AG232784	1	BRACKET STAND OFF WET BOOM	[B]
4	AG515121	4	WASHER 0.25 FL SS REG	
5	AG516403	2	NUT 0.31-18NC HEX ESNA SS	
6	AG519748	1	CLAMP 1.00 PIPE	[C]
7	AG523412	1	CLAMP-1.62 DIA,COATED HOSE	
8	AG562074	2	WASHER FL 0.31 SS REG	
9	AG563061	2	BOLT 0.25-20NCX 3.25 SS HHD	
10	AG609777	2	INSERT STAUFF SPACER	[D]
	FOOTNOTE [A]		WASHER AG562074, NUT AG516403	
	FOOTNOTE [B]		TO BE USED W/TRIPLE NOZZLE BODIES, ALSO REF. AG231116	
	FOOTNOTE [C]		2 INSERTS AND 2 CLAMP MAKE UP 1 PART. BOLT - AG563061, WASHER - AG515121, NUT - AG027275,	
	FOOTNOTE [D]		USED ON AG518339, AG518340 AND AG520133 CLAMP	



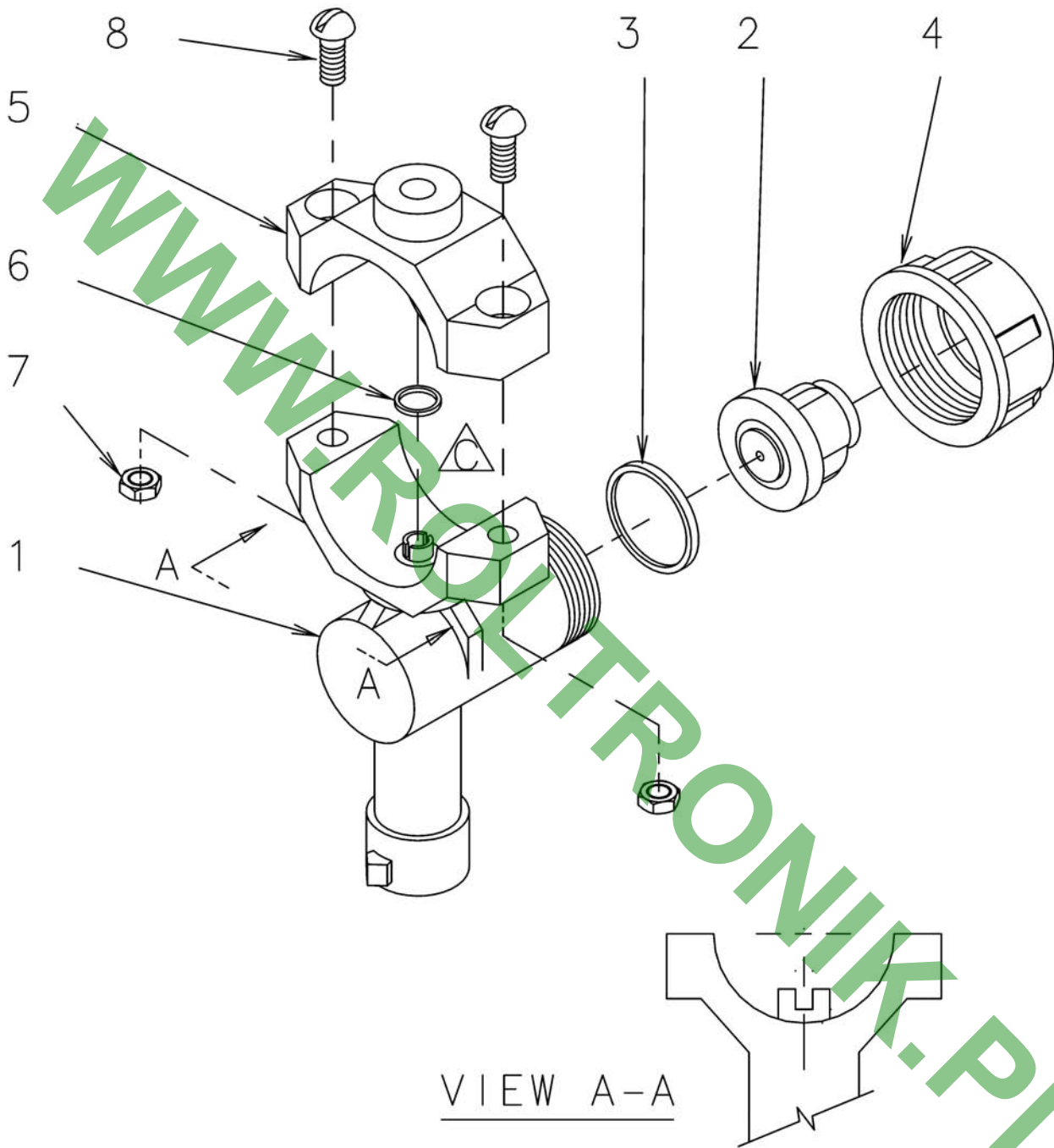
ITEM	PART #	QTY	DESCRIPTION	COMMENTS
1	AG027273	1	SCREW 10-24X 1.25 PHD PHILSS(P)	
2	AG027274	1	NUT 10-24NCSS LGT HX NY INS(P)	
3	AG027275	1	NUT,NY-LOCK 1/4-20 SS HX (P)	
4	AG231204	1	BOLT-U .31-18X1.88X2.63	[A]
5	AG234373	1	BRACKET SHORT STANDOFF	
6	AG515121	2	WASHER 0.25 FL SS REG	
7	AG516403	2	NUT 0.31-18NC HEX ESNA SS	
8	AG519749	1	CLAMP 1.00 IPS POLY	[B]
9	AG523412	1	CLAMP-1.62 DIA,COATED HOSE	
10	AG562064	1	BOLT 0.25-20NCX 1.00 S.S. HDD	[C]
11	AG562074	2	WASHER FL 0.31 SS REG	
12	AG562082	1	WASHER #10 FL SS SAE	
	FOOTNOTE [A]		WASHER AG562074, NUT AG516403	
	FOOTNOTE [B]		SCREWS - AG027273, WASHERS - AG562082	
	FOOTNOTE [C]		STAINLESS STEEL	

WWW.ROLTRONIK.PL



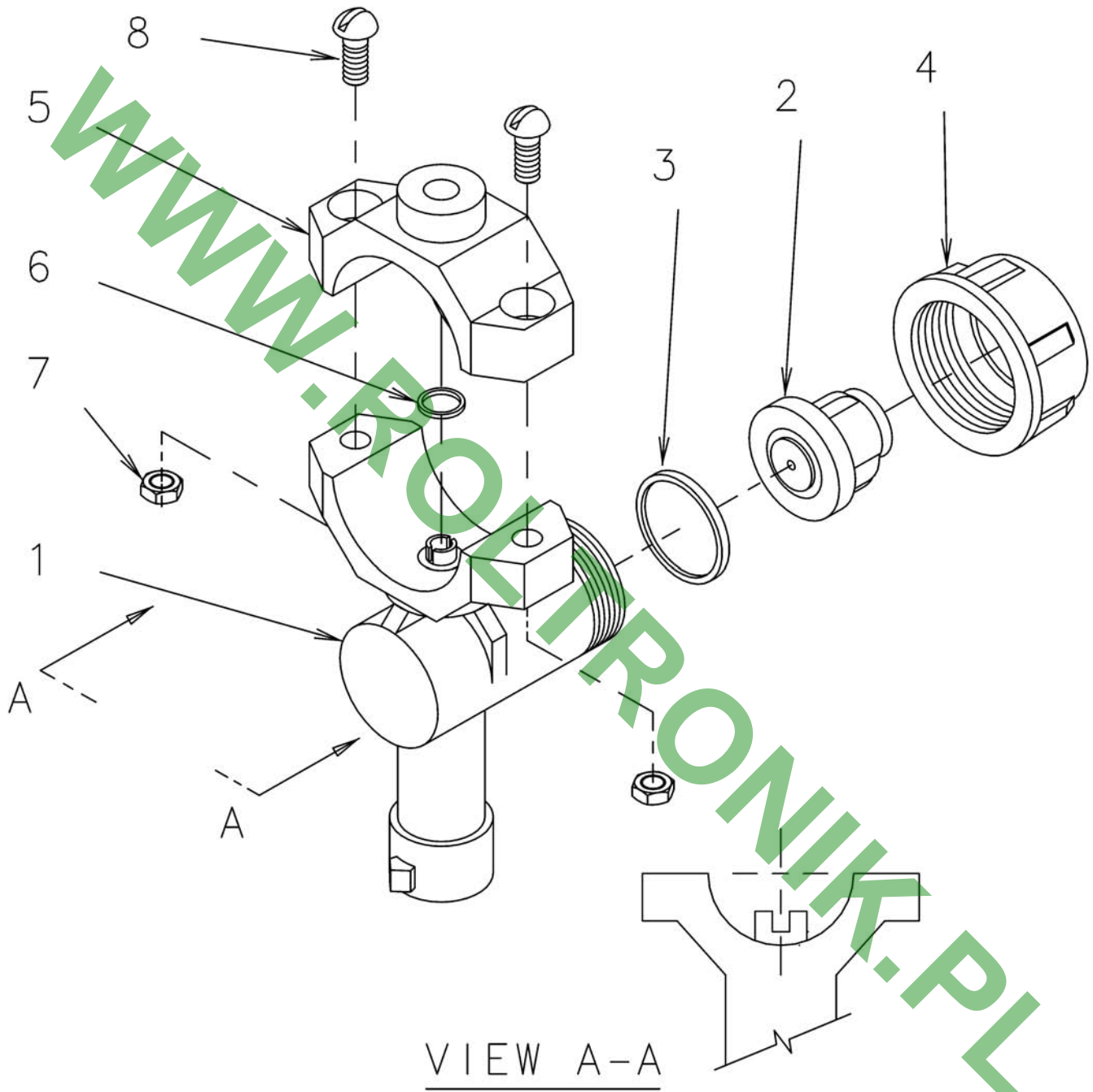
ITEM	PART #	QTY	DESCRIPTION	COMMENTS
1	AG027273	2	SCREW 10-24X 1.25 PHD PHILSS(P)	
2	AG027274	2	NUT 10-24NCSS LGT HX NY INS(P)	
3	AG027275	1	NUT,NY-LOCK 1/4-20 SS HX (P)	
4	AG231204	1	BOLT-U .31-18X1.88X2.63	[A]
5	AG234375	1	BRACKET LONG STANDOFF	
6	AG515121	2	WASHER 0.25 FL SS REG	
7	AG516403	2	NUT 0.31-18NC HEX ESNA SS	
8	AG519749	2	CLAMP 1.00 IPS POLY	[B]
9	AG523412	1	CLAMP-1.62 DIA,COATED HOSE	
10	AG562064	1	BOLT 0.25-20NCX 1.00 S.S. HDD	[C]
11	AG562074	2	WASHER FL 0.31 SS REG	
12	AG562082	2	WASHER #10 FL SS SAE	
	FOOTNOTE [A]		WASHER AG562074, NUT AG516403	
	FOOTNOTE [B]		SCREWS - AG027273, WASHERS - AG562082	
	FOOTNOTE [C]		STAINLESS STEEL	

WWW.ROLTRONIK.PL



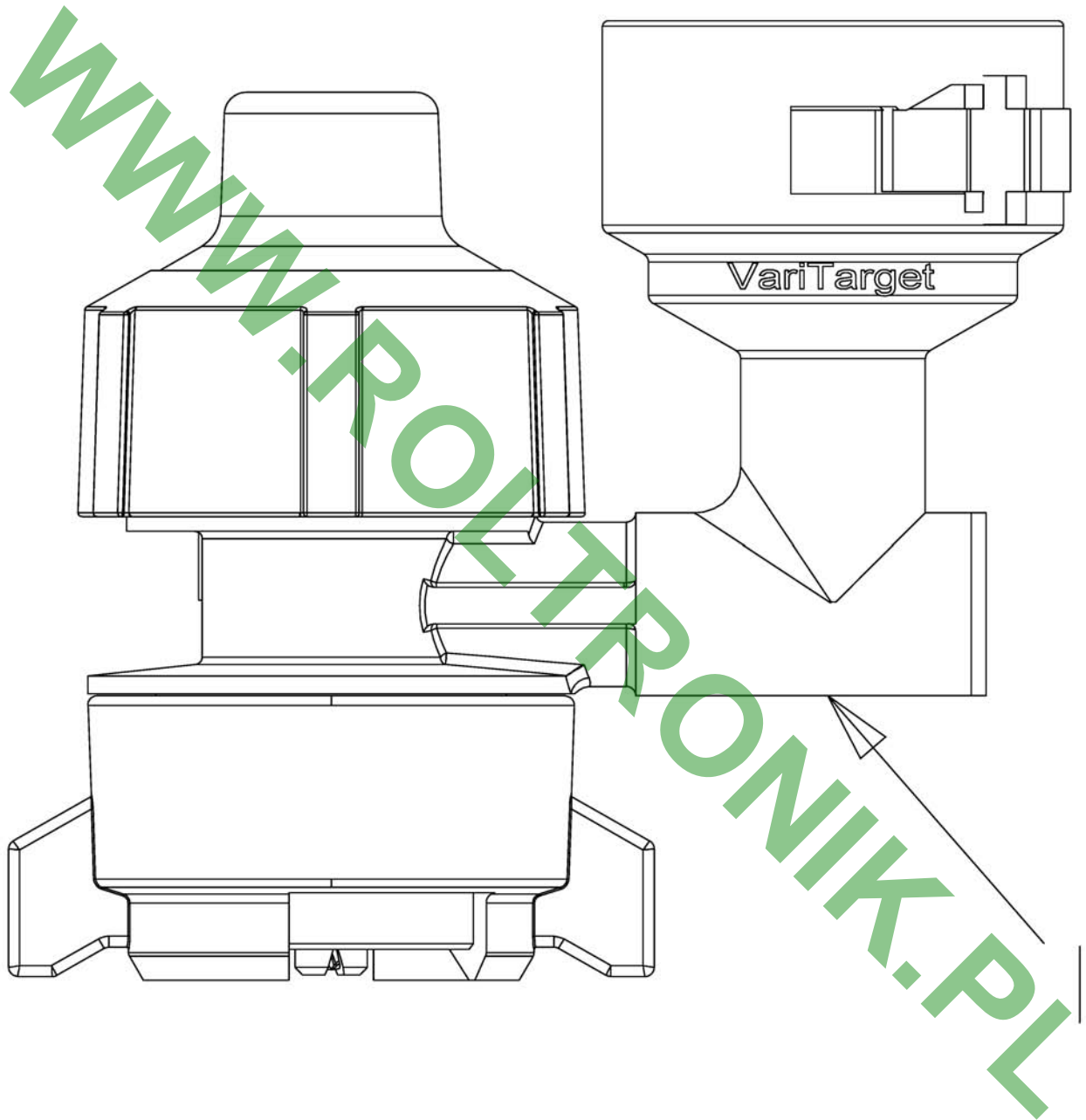
ITEM	PART #	QTY	DESCRIPTION	COMMENTS
1	AG609923	1	QUICK COUP SGL BODY/PIPE 1.00	
2	AG609737	1	ANTI DRIP ASM 7PSI (RED)	[A]
3	AG609738	1	DIAPHRAGM EPDM	[B]
4	AG609739	1	END CAP	
5	AG609921	1	CLAMP 1.00 INCH	
6	AG609741	1	O RING	
7	AG563095	2	NUT 10-24 SS W/STAR WASHER	
8	AG563096	2	SCR/NUT-10-24X.75,SS,RHS	[C]
	FOOTNOTE [A]		DIAPHRAM ONLY AG609738	
	FOOTNOTE [A]		PART HAS BEEN CHANGED TO AG058140	
	FOOTNOTE [A]		BODY IS RED, BUT THE PLUNGER IS BLACK NOW FOR THE 8 PSI	
	FOOTNOTE [A]		3 PSI THE BODY IS RED, BUT THE PLUNGER IS ORANGE AG053372	
	FOOTNOTE [B]		AG053265 VITON DIAPHRAM	
	FOOTNOTE [C]		SLOTTED HEAD	

WWW.ROLTRONIK.PL



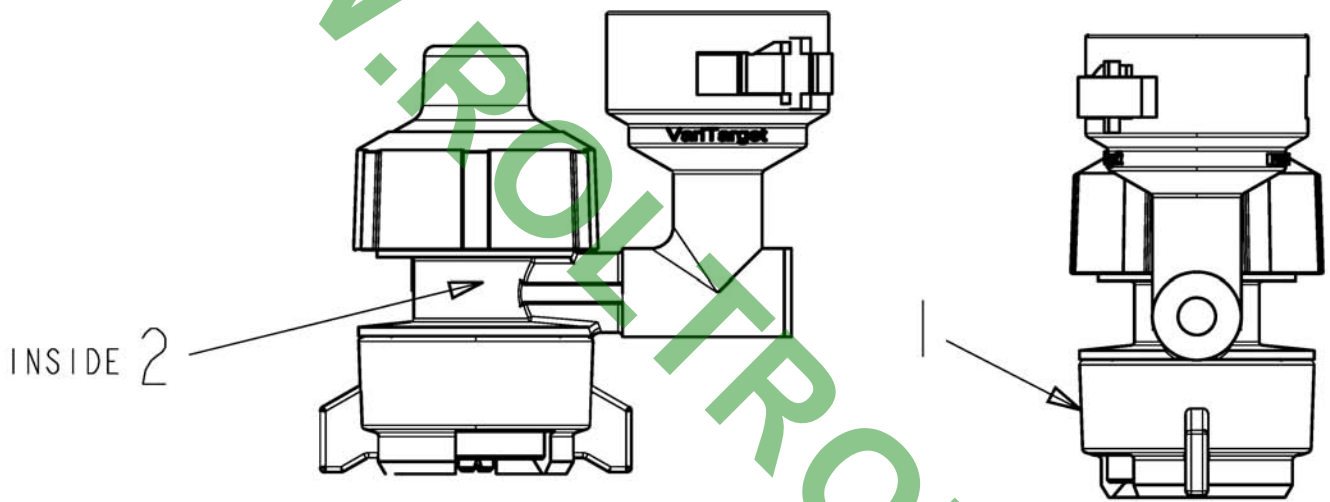
ITEM	PART #	QTY	DESCRIPTION	COMMENTS
1	AG609747	1	QUICK-CPLG UNIGET BODY/PIPE.75	
2	AG609737	1	ANTI DRIP ASM 7PSI (RED)	[A]
3	AG609738	1	DIAPHRAGM EPDM	[B]
4	AG609739	1	END CAP	
5	AG609748	1	CLAMP 0.75 518660	
6	AG609741	1	O RING	
7	AG563095	2	NUT 10-24 SS W/STAR WASHER	
8	AG563096	2	SCR/NUT-10-24X.75,SS,RHS	[C]
	FOOTNOTE [A]		DIAPHRAM ONLY AG609738	
	FOOTNOTE [A]		PART HAS BEEN CHANGED TO AG058140	
	FOOTNOTE [A]		BODY IS RED, BUT THE PLUNGER IS BLACK NOW FOR THE 8 PSI	
	FOOTNOTE [A]		3 PSI THE BODY IS RED, BUT THE PLUNGER IS ORANGE AG053372	
	FOOTNOTE [B]		AG053265 VITON DIAPHRAM	
	FOOTNOTE [C]		SLOTTED HEAD	
	FOOTNOTE:		NEW SCREW NOW LONGER - AG563152	

WWW.ROLTRONIK.PL



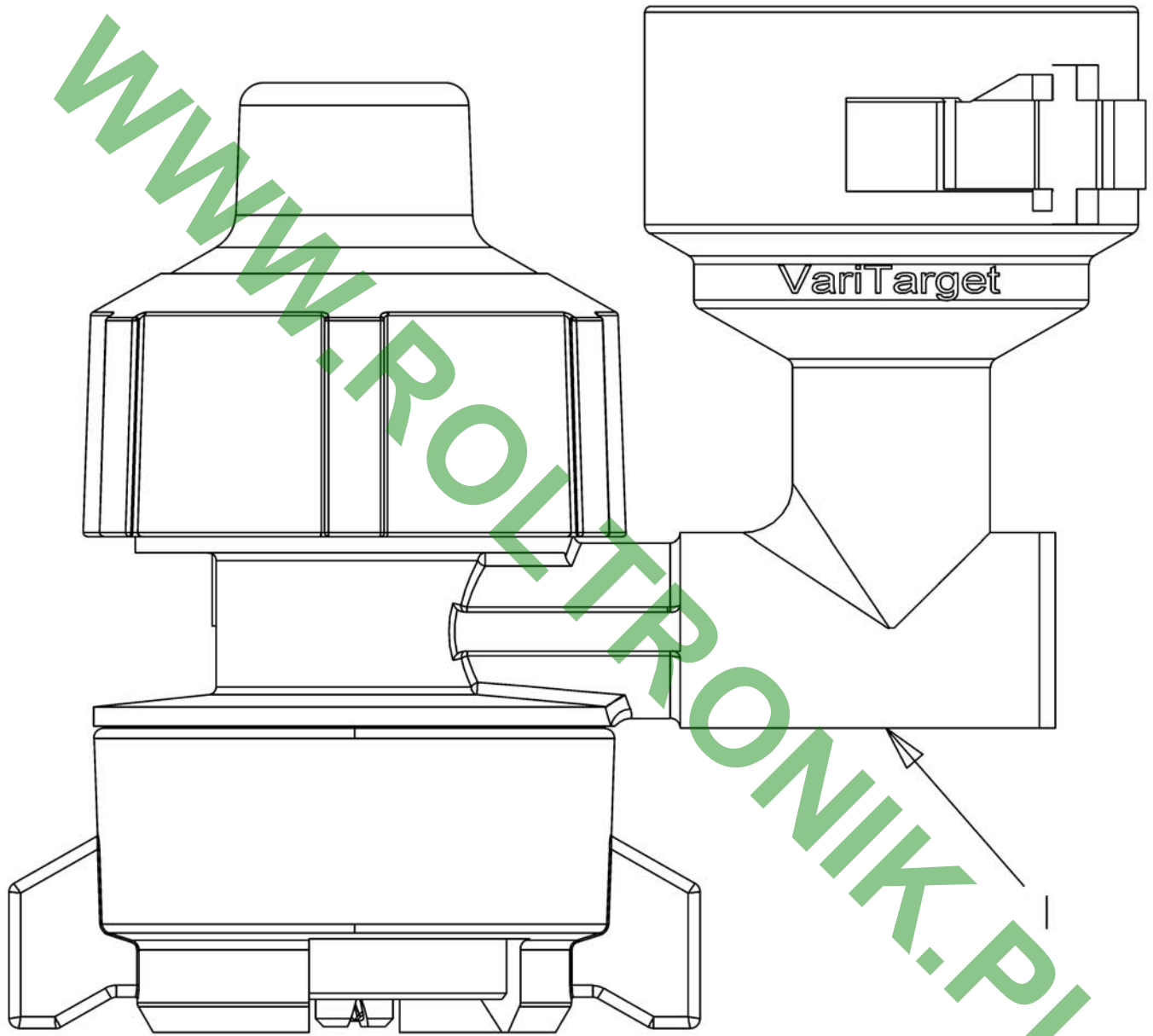
ITEM	PART #	QTY	DESCRIPTION	COMMENTS
1	AG426004	25	NOZZLE-SPRAY,VARITARGET,1.5GPM	SEE PAGE 4-80

WWW.ROLTRONIK.PL



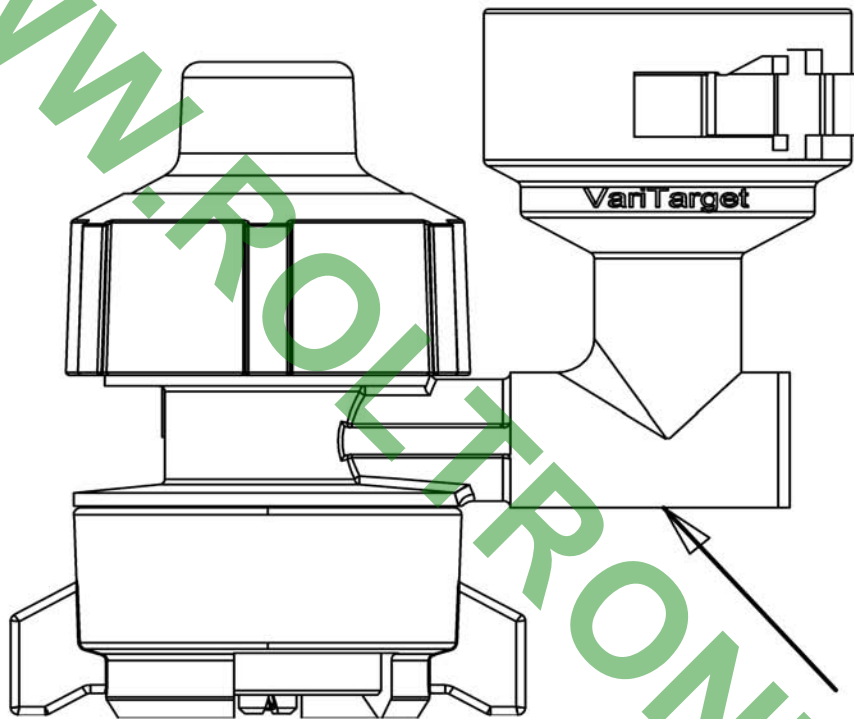
ITEM	PART #	QTY	DESCRIPTION	COMMENTS
1	AG426005	-	TIP & GASKET-SPRAY,VARITARGET	
2	AG426006	-	METERING ASM-NOZZLE,VARITARGET	

WWW.ROLTRONIK.PL



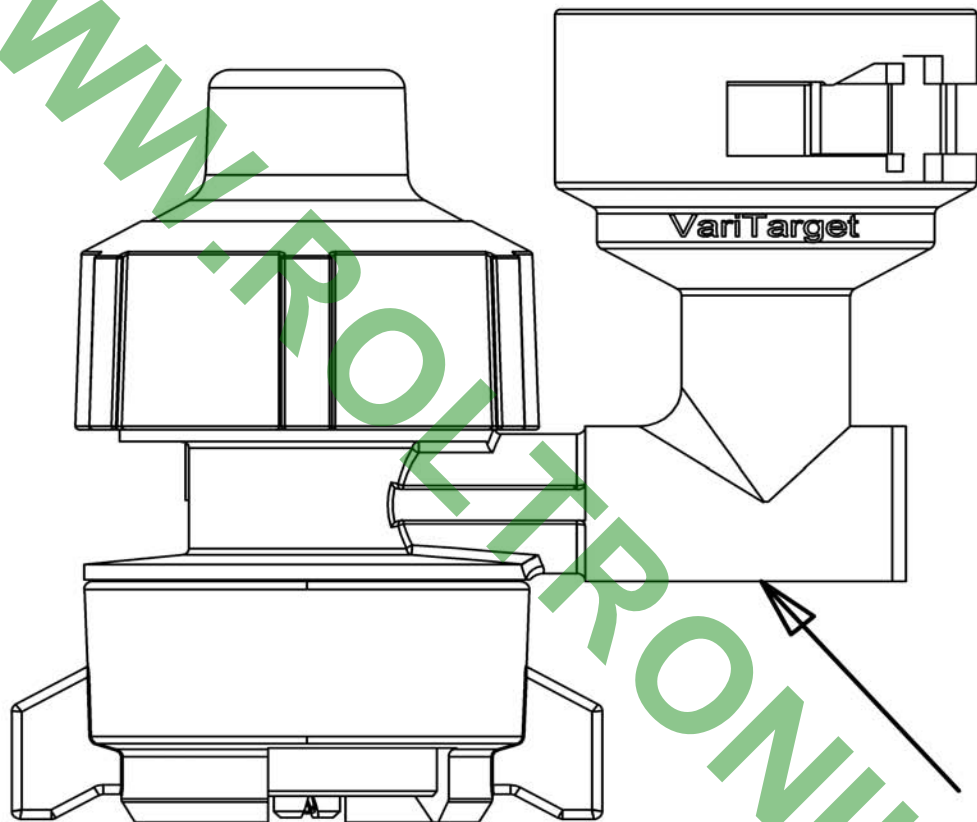
ITEM	PART #	QTY	DESCRIPTION	COMMENTS
1	AG426004	5	NOZZLE-SPRAY,VARITARGET,1.5GPM	SEE PAGE 4-80

WWW.ROLTRONIK.PL



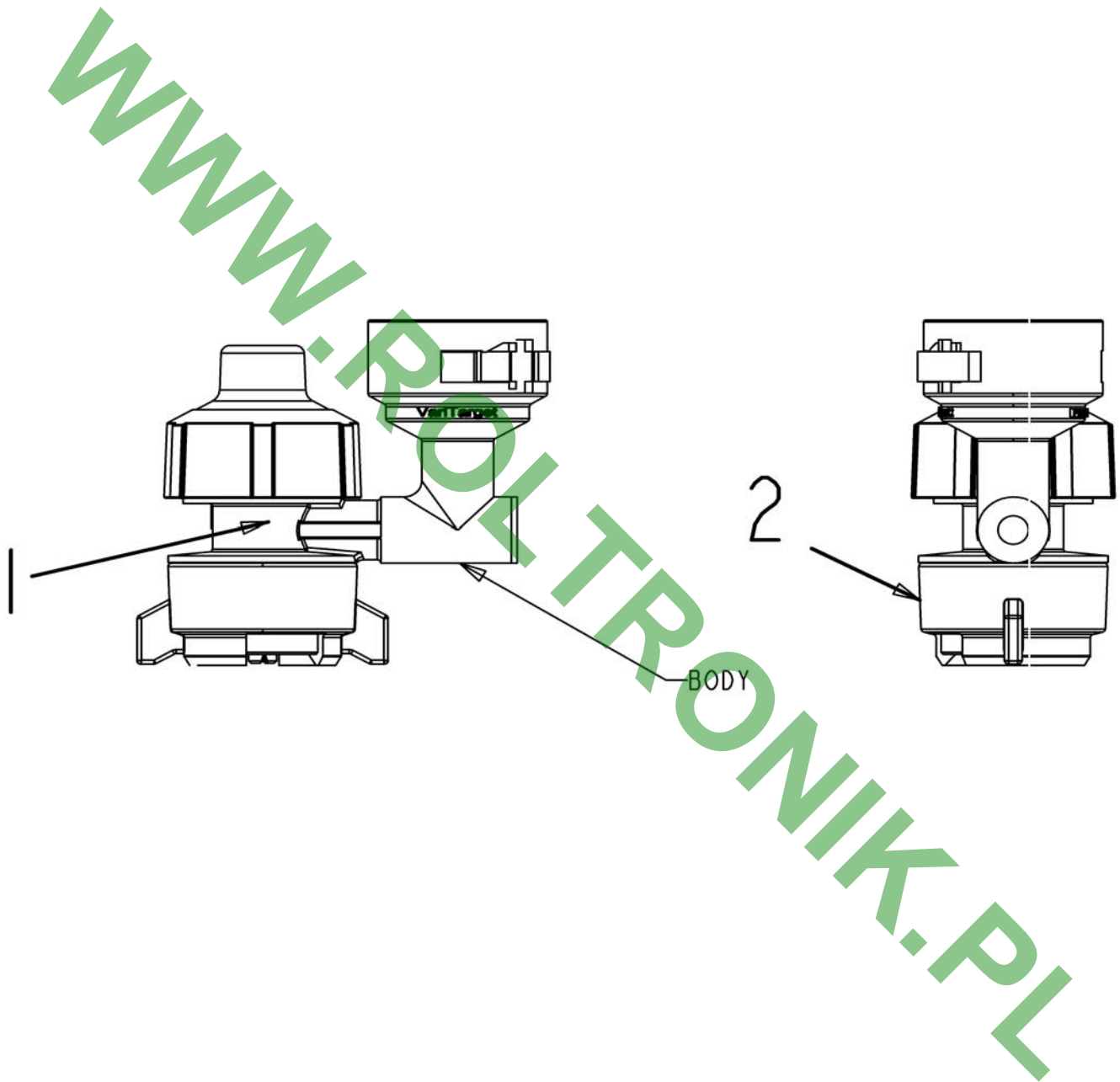
ITEM	PART #	QTY	DESCRIPTION	COMMENTS
1	AG426003	5	NOZZLE-SPRAY,VARITARGET,1.2GPM	SEE PAGE 4-84

WWW.ROLTRONIK.PL



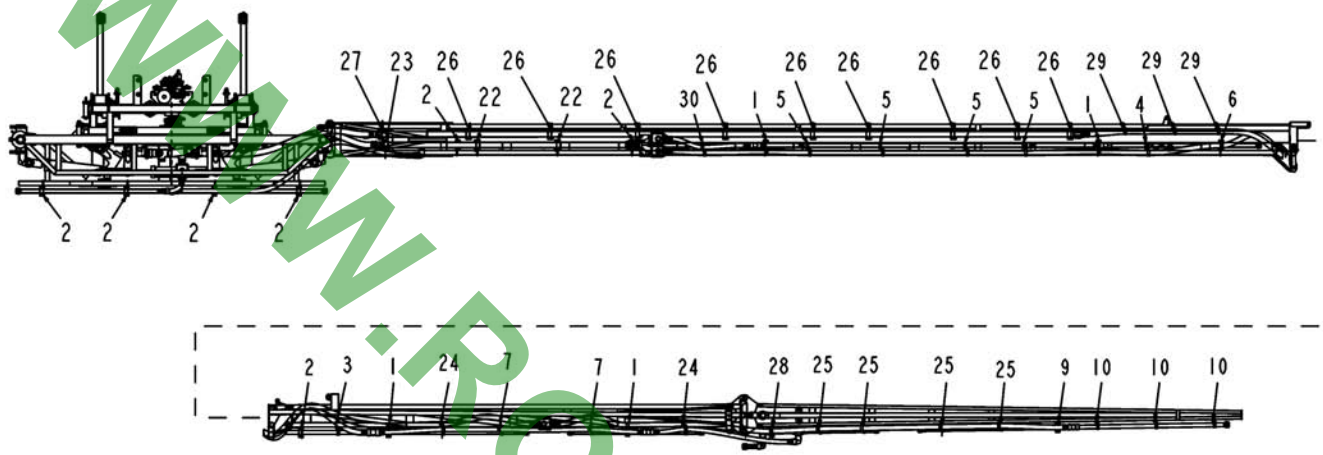
ITEM	PART #	QTY	DESCRIPTION	COMMENTS
1	AG426003	25	NOZZLE-SPRAY,VARITARGET,1.2GPM	SEE PAGE 4-84

WWW.ROLTRONIK.PL

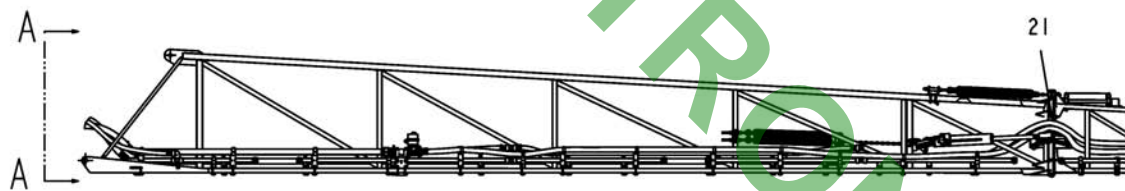


ITEM	PART #	QTY	DESCRIPTION	COMMENTS
1	AG426006	-	METERING ASM-NOZZLE,VARITARGET	
2	AG426009	-	TIP&GSKT-SPRAY,VARITARGET,CLR	

WWW.ROLTRONIK.PL



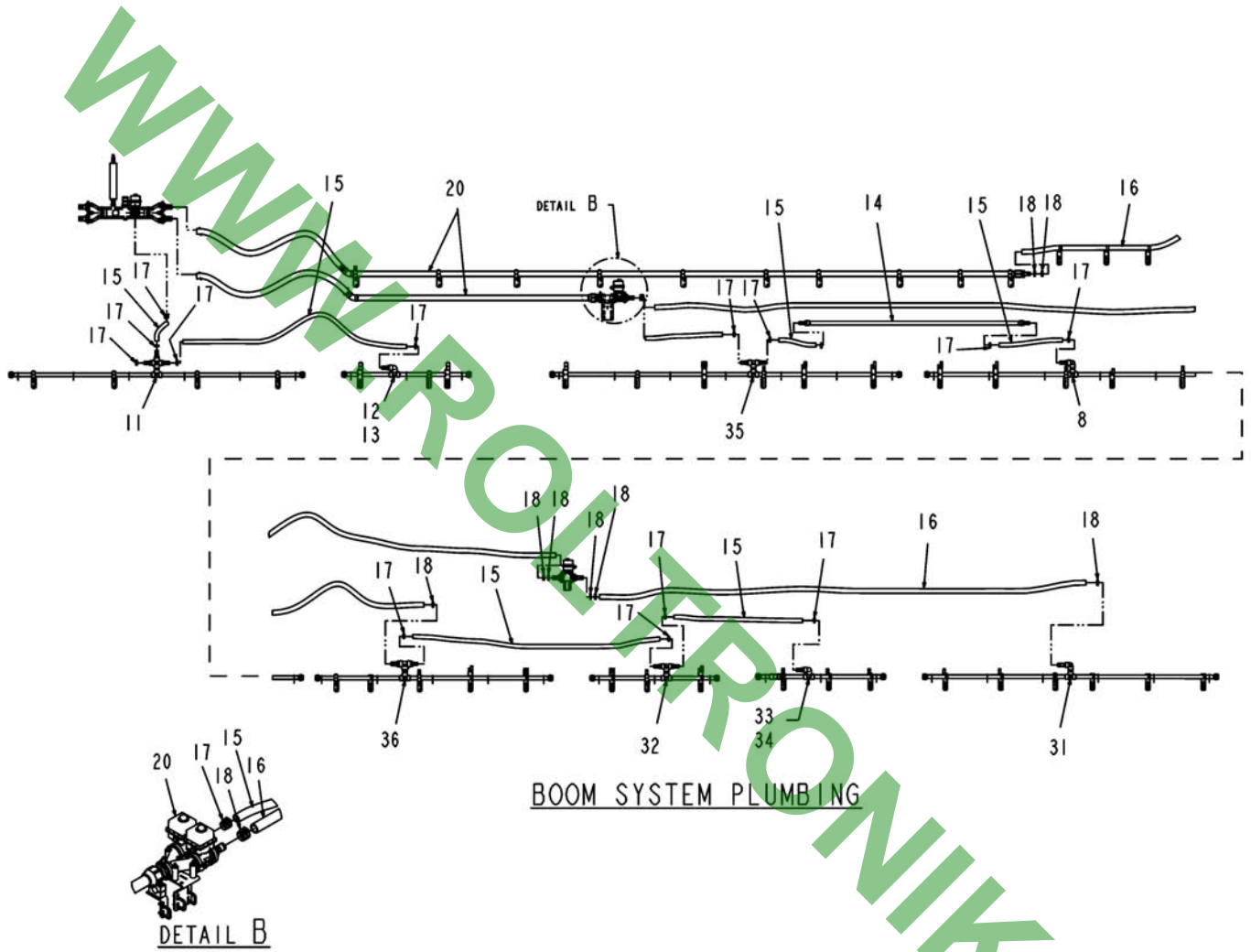
MOUNTING CLAMP SPACING



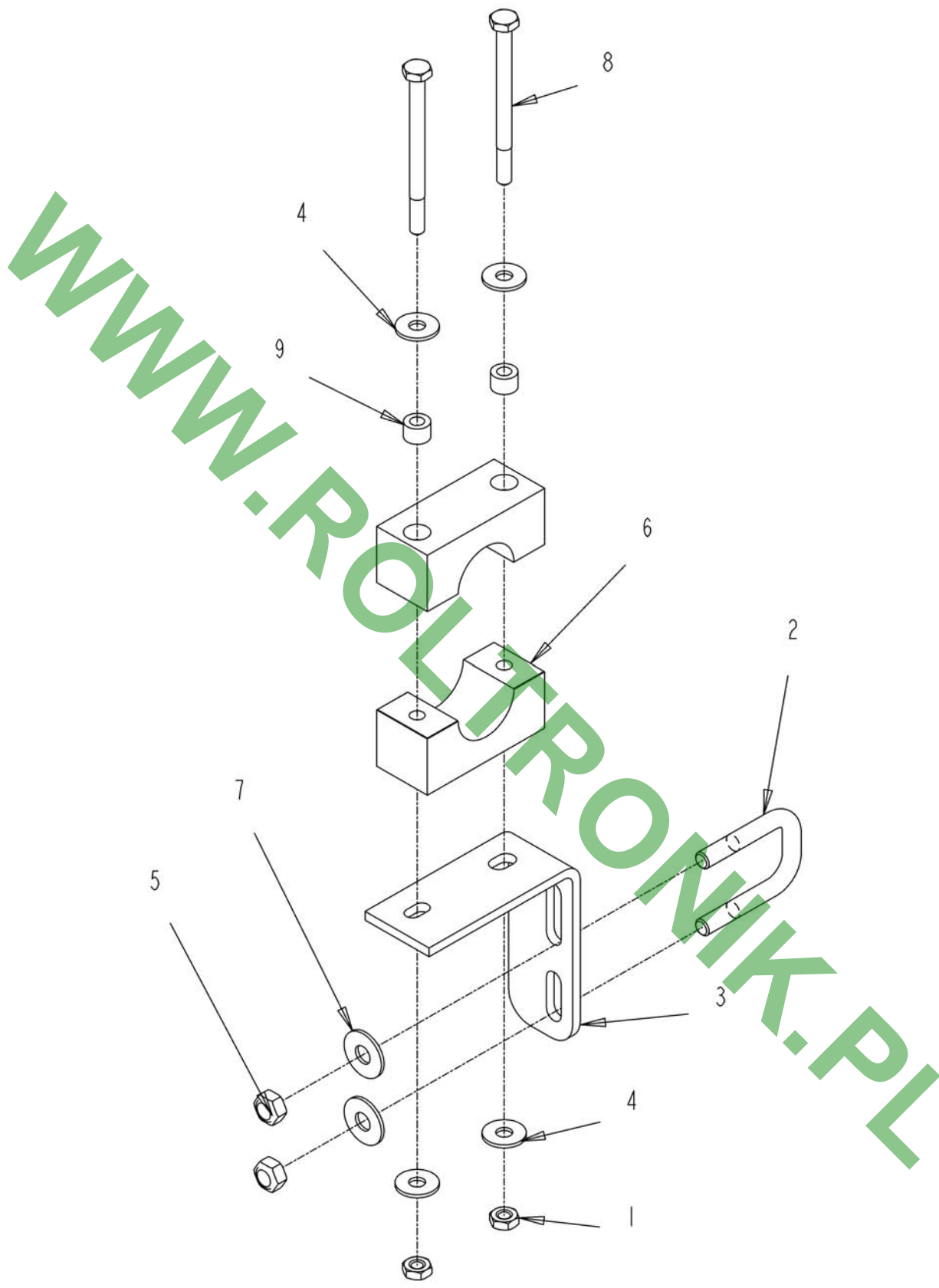
INNER BOOM PLMB



ITEM	PART #	QTY	DESCRIPTION	COMMENTS
1	AG122513	8	BRKT ASM-L,PP STAUFF 1.25 P	SEE PAGE 4-74
2	AG122520	6	BRKT ASM-L,PP STAUFF	SEE PAGE 4-62
3	AG122521	2	BRKT ASM-STR,SH,IPS CLP	SEE PAGE 4-63
4	AG122606	2	BRKT ASM-STR,SH,IPS,1.25 P CLP	SEE PAGE 4-75
5	AG122607	8	BRKT ASM-STR,LG,1.25 PCLP 2IPS	SEE PAGE 4-76
6	AG122609	2	BRKT ASM-L,PP STAUFF,1.25 PCLP	SEE PAGE 4-71
7	AG122957	4	BRKT ASM-STR,LG,IPS,P CLP	SEE PAGE 4-69
8	WR127095	2	PIPE ASM-90D W/1.00HB,6X20,PP	SEE PAGE 4-107
9	WR129085	2	BRKT ASM-L,PP STAUFF,1.00U	SEE PAGE 4-86
10	WR129086	6	BRKT ASM-STR,SH,IPS CLP,1.00U	SEE PAGE 4-87
11	AG134651	1	PIPE ASM-X W/3 1.00HB,6X20,PP	SEE PAGE 4-33
12	AG134652	1	PIPE ASM-90D W/1HB,3X20,PP,RH	SEE PAGE 4-34
13	AG134653	1	PIPE ASM-90D W/1HB,3X20,PP,LH	SEE PAGE 4-35
14	AG134667	2	PIPE ASM-W/2 1.00HB,77.00,PP	SEE PAGE 4-32
15	AG511528	-	HOSE 1.00 2BRD EPDM [BULK: 51.250 FT]	
16	AG513393	-	HOSE 1.25 2BRD EPDM [BULK: 103.334 FT]	
17	AG561213	28	CLAMP 0.81-1.50 HOSE 16HS	
18	AG561230	20	CLAMP 0.81-1.75 HOSE 20HS	
19	AG562496	AR	TIE CABLE 15.0 .18-4.00 BLACK	
20	506451D1	1	SYS INSTL-PLMB,120X7,ELEC VLV	
21	506720D1	86	SLEEVE-PROTECTIVE,NYLON,-48	
22	506722D1	4	BRKT ASM-L,1IPS,1.50 STAUFF	SEE PAGE 4-94
23	506723D1	2	BRKT ASM-L,1IPS,1.50 STAUFF,LG	SEE PAGE 4-95
24	506724D1	4	BRKT ASM-STR,LG,IPS,2PCLP	SEE PAGE 4-96
25	506725D1	8	BRKT ASM-STR,SH,IPS,1.25,1.00	SEE PAGE 4-97
26	506726D1	18	BRKT ASM-L,1.50 STAUFF,STD U	SEE PAGE 4-88
27	506727D1	2	BRKT ASM-L,1.50 STAUFF,P,LG U	SEE PAGE 4-98
28	506729D1	2	BRKT ASM-L,PP STAUFF,PCLP,1.00	SEE PAGE 4-100
29	506732D1	6	BRKT ASM-STR,SH,1.25 PCLP	SEE PAGE 4-108
30	506733D1	2	BRKT ASM-STR,LG,IPS,2PCL,1.25	SEE PAGE 4-109
31	506742D1	2	PIPE ASM-90D W/1.25HB,6X20,PP	SEE PAGE 4-110
32	506743D1	2	PIPE ASM-T W/2 1.00HB,3X20,PP	SEE PAGE 4-111
33	506744D1	1	PIPE ASM-90D W/1HB,3X20,PP,RH	SEE PAGE 4-112
33	508671D1	5	BRKT ASM-L,REV,1.00PP STAUFF	
34	506745D1	1	PIPE ASM-90D W/1HB,3X20,PP,LH	SEE PAGE 4-113
35	506746D1	2	PIPE ASM-T W/2 1.00HB,7X20,PP	SEE PAGE 4-114
36	506747D1	2	PIPE ASM-T W/1.25/1HB,5X20,PP	SEE PAGE 4-115

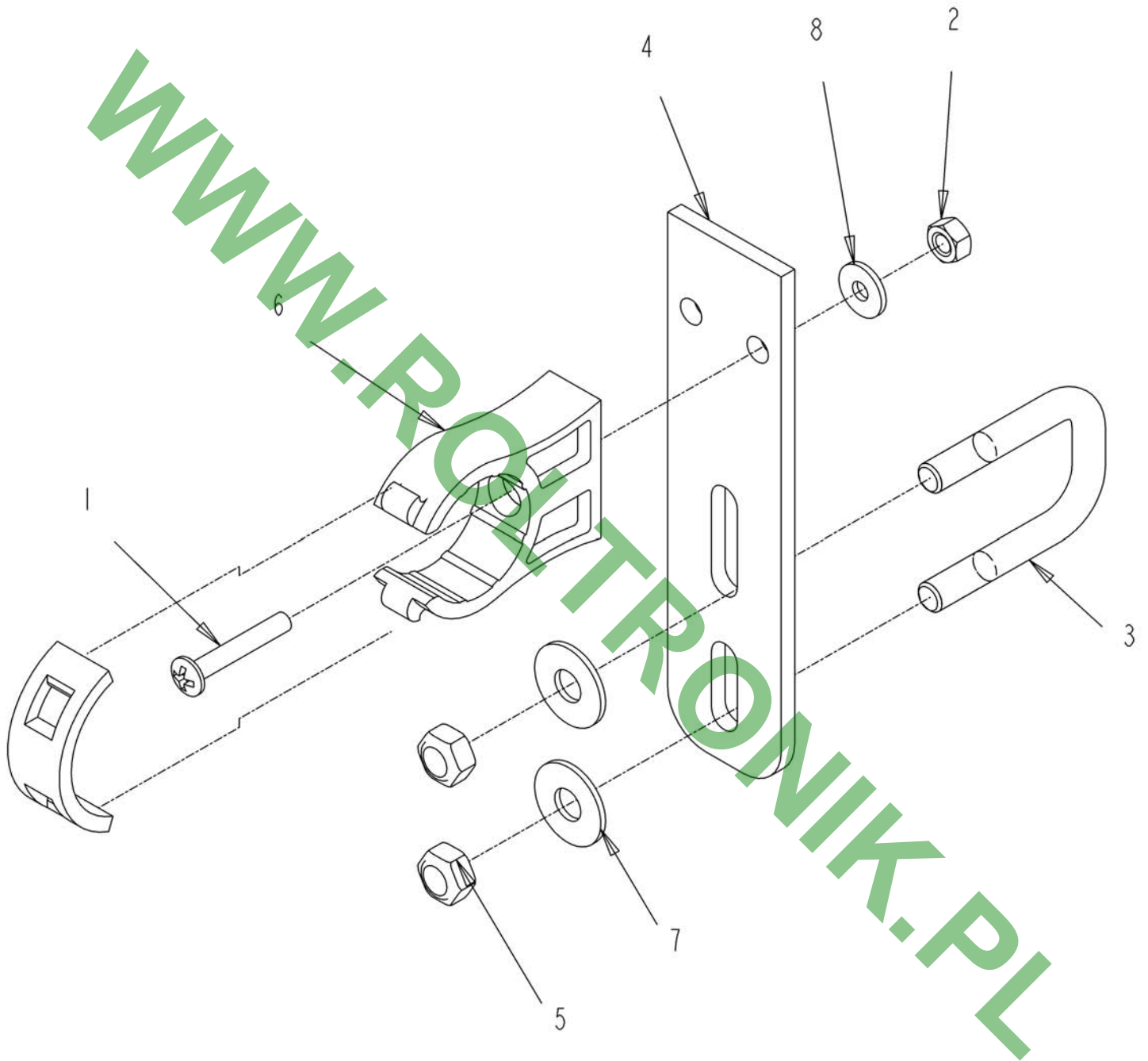


ITEM	PART #	QTY	DESCRIPTION	COMMENTS
1	AG122513	8	BRKT ASM-L,PP STAUFF 1.25 P	SEE PAGE 4-74
2	AG122520	6	BRKT ASM-L,PP STAUFF	SEE PAGE 4-62
3	AG122521	2	BRKT ASM-STR,SH,IPS CLP	SEE PAGE 4-63
4	AG122606	2	BRKT ASM-STR,SH,IPS,1.25 P CLP	SEE PAGE 4-75
5	AG122607	8	BRKT ASM-STR,LG,1.25 PCLP 2IPS	SEE PAGE 4-76
6	AG122609	2	BRKT ASM-L,PP STAUFF,1.25 PCLP	SEE PAGE 4-71
7	AG122957	4	BRKT ASM-STR,LG,IPS,P CLP	SEE PAGE 4-69
8	WR127095	2	PIPE ASM-90D W/1.00HB,6X20,PP	SEE PAGE 4-107
9	WR129085	2	BRKT ASM-L,PP STAUFF,1.00U	SEE PAGE 4-86
10	WR129086	6	BRKT ASM-STR,SH,IPS CLP,1.00U	SEE PAGE 4-87
11	AG134651	1	PIPE ASM-X W/3 1.00HB,6X20,PP	SEE PAGE 4-33
12	AG134652	1	PIPE ASM-90D W/1HB,3X20,PP,RH	SEE PAGE 4-34
13	AG134653	1	PIPE ASM-90D W/1HB,3X20,PP,LH	SEE PAGE 4-35
14	AG134667	2	PIPE ASM-W/2 1.00HB,77.00,PP	SEE PAGE 4-32
15	AG511528	-	HOSE 1.00 2BRD EPDM [BULK: 51.250 FT]	
16	AG513393	-	HOSE 1.25 2BRD EPDM [BULK: 103.334 FT]	
17	AG561213	28	CLAMP 0.81-1.50 HOSE 16HS	
18	AG561230	20	CLAMP 0.81-1.75 HOSE 20HS	
19	AG562496	AR	TIE CABLE 15.0 .18-4.00 BLACK	
20	506451D1	1	SYS INSTL-PLMB,120X7,ELEC VLV	
21	506720D1	86	SLEEVE-PROTECTIVE,NYLON,-48	
22	506722D1	4	BRKT ASM-L,1IPS,1.50 STAUFF	SEE PAGE 4-94
23	506723D1	2	BRKT ASM-L,1IPS,1.50 STAUFF,LG	SEE PAGE 4-95
24	506724D1	4	BRKT ASM-STR,LG,IPS,2PCLP	SEE PAGE 4-96
25	506725D1	8	BRKT ASM-STR,SH,IPS,1.25,1.00	SEE PAGE 4-97
26	506726D1	18	BRKT ASM-L,1.50 STAUFF,STD U	SEE PAGE 4-88
27	506727D1	2	BRKT ASM-L,1.50 STAUFF,P,LG U	SEE PAGE 4-98
28	506729D1	2	BRKT ASM-L,PP STAUFF,PCLP,1.00	SEE PAGE 4-100
29	506732D1	6	BRKT ASM-STR,SH,1.25 PCLP	SEE PAGE 4-108
30	506733D1	2	BRKT ASM-STR,LG,IPS,2PCL,1.25	SEE PAGE 4-109
31	506742D1	2	PIPE ASM-90D W/1.25HB,6X20,PP	SEE PAGE 4-110
32	506743D1	2	PIPE ASM-T W/2 1.00HB,3X20,PP	SEE PAGE 4-111
33	506744D1	1	PIPE ASM-90D W/1HB,3X20,PP,RH	SEE PAGE 4-112
33	508671D1	5	BRKT ASM-L,REV,1.00PP STAUFF	
34	506745D1	1	PIPE ASM-90D W/1HB,3X20,PP,LH	SEE PAGE 4-113
35	506746D1	2	PIPE ASM-T W/2 1.00HB,7X20,PP	SEE PAGE 4-114
36	506747D1	2	PIPE ASM-T W/1.25/1HB,5X20,PP	SEE PAGE 4-115



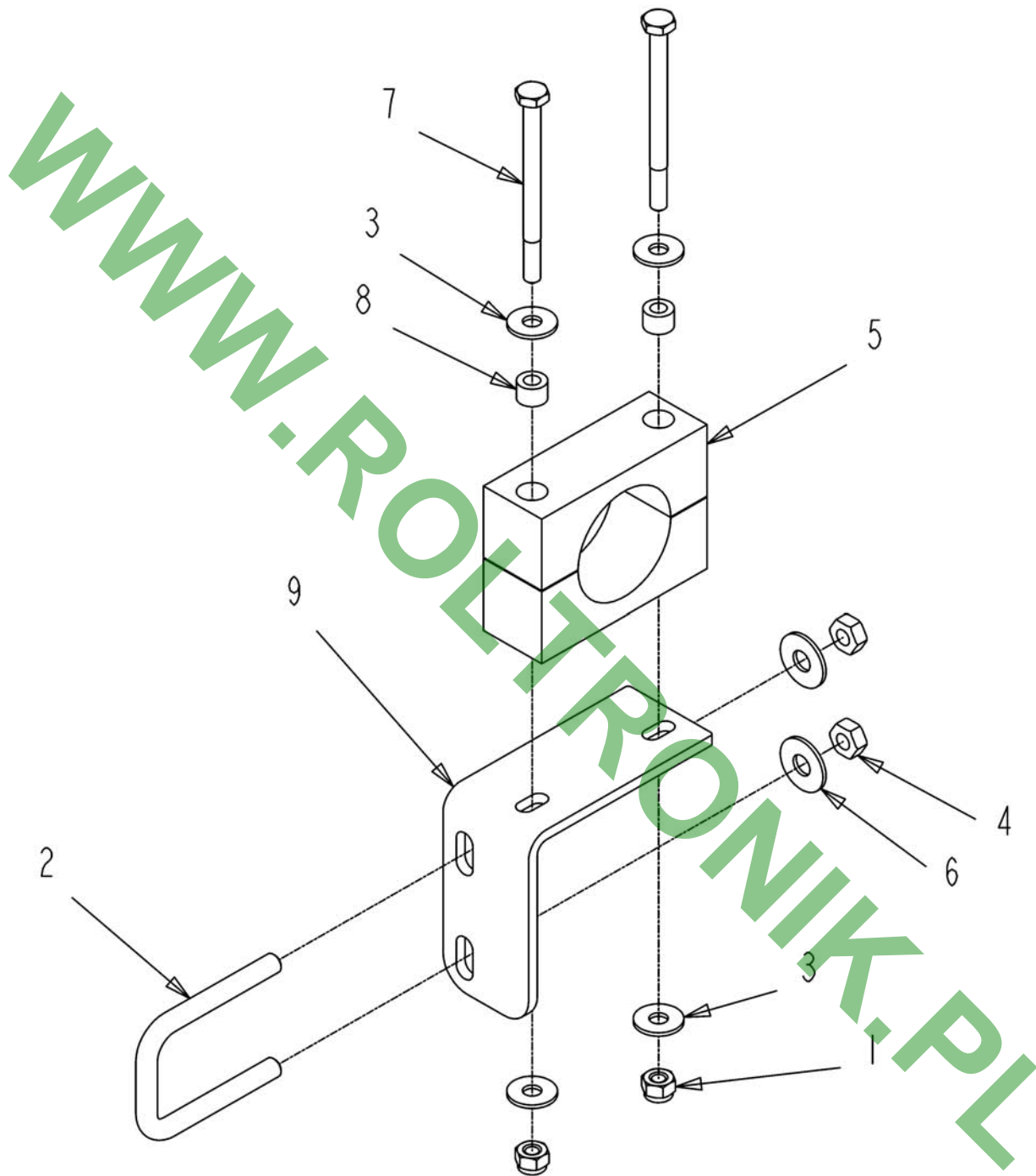
ITEM	PART #	QTY	DESCRIPTION	COMMENTS
1	AG027275	2	NUT,NY-LOCK 1/4-20 SS HX (P)	
2	WR129144	1	BOLT-U, .31-18X1.06X1.97,SQ,SS	
3	AG232784	1	BRACKET STAND OFF WET BOOM	[A]
4	AG515121	4	WASHER 0.25 FL SS REG	
5	AG516403	2	NUT 0.31-18NC HEX ESNA SS	
6	AG519748	1	CLAMP 1.00 PIPE	[B]
7	AG562074	2	WASHER FL 0.31 SS REG	
8	AG563061	2	BOLT 0.25-20NCX 3.25 SS HDD	
9	AG609777	2	INSERT STAUFF SPACER	[C]
	FOOTNOTE [A]		TO BE USED W/TRIPLE NOZZLE BODIES, ALSO REF. AG231116	
	FOOTNOTE [B]		2 INSERTS AND 2 CLAMP MAKE UP 1 PART. BOLT - AG563061, WASHER - AG515121, NUT - AG027275,	
	FOOTNOTE [C]		USED ON AG518339, AG518340 AND AG520133 CLAMP	

WWW.ROLTRONIK.PL



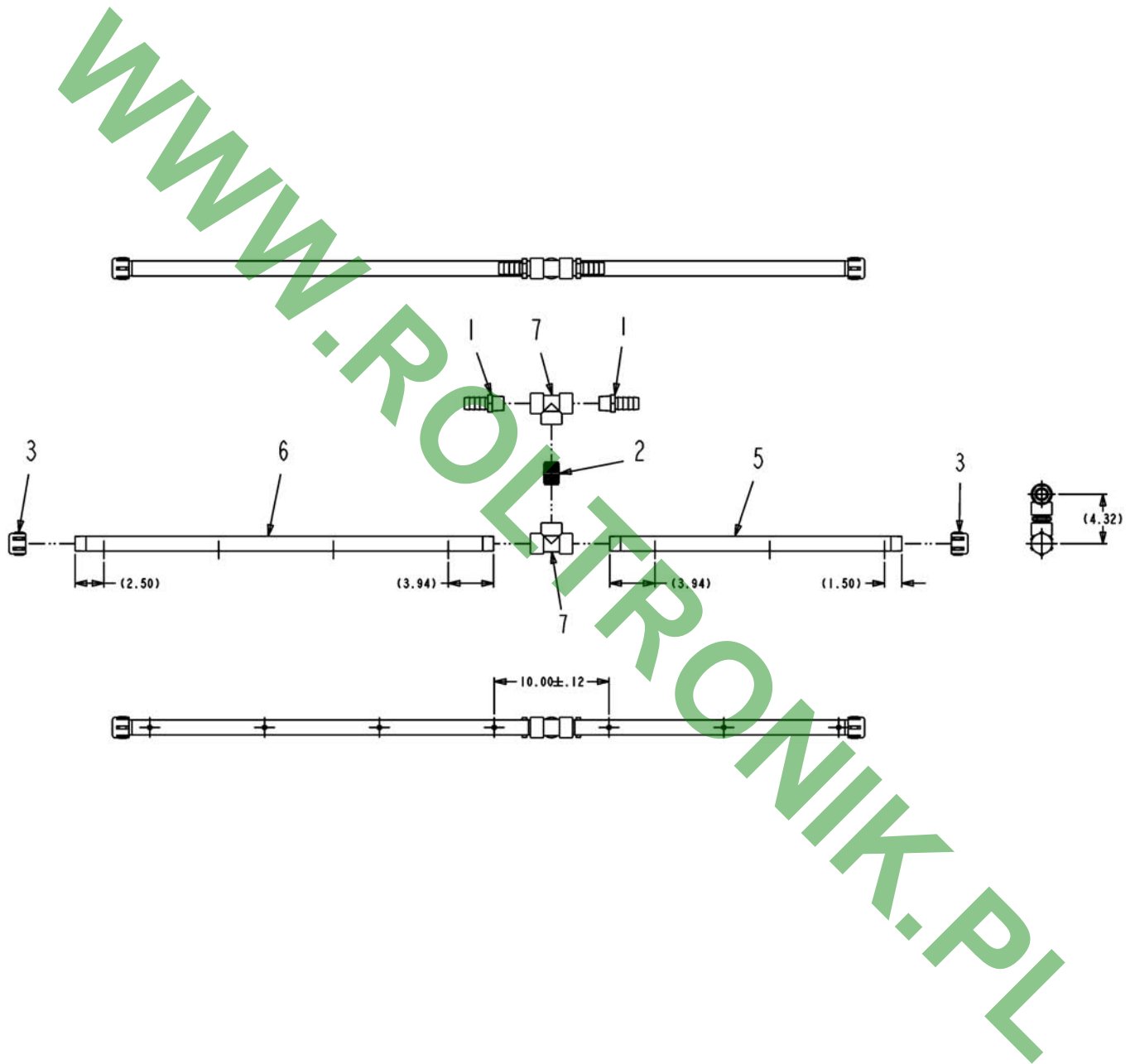
ITEM	PART #	QTY	DESCRIPTION	COMMENTS
1	AG027273	1	SCREW 10-24X 1.25 PHD PHILSS(P)	
2	AG027274	1	NUT 10-24NCSS LGT HX NY INS(P)	
3	WR129144	1	BOLT-U,.31-18X1.06X1.97,SQ,SS	
4	AG234373	1	BRACKET SHORT STANDOFF	
5	AG516403	2	NUT 0.31-18NC HEX ESNA SS	
6	AG519749	1	CLAMP 1.00 IPS POLY	[A]
7	AG562074	2	WASHER FL 0.31 SS REG	
8	AG562082	1	WASHER #10 FL SS SAE	
	FOOTNOTE [A]		SCREWS - AG027273, WASHERS - AG562082	

WWW.ROLTRONIK.PL



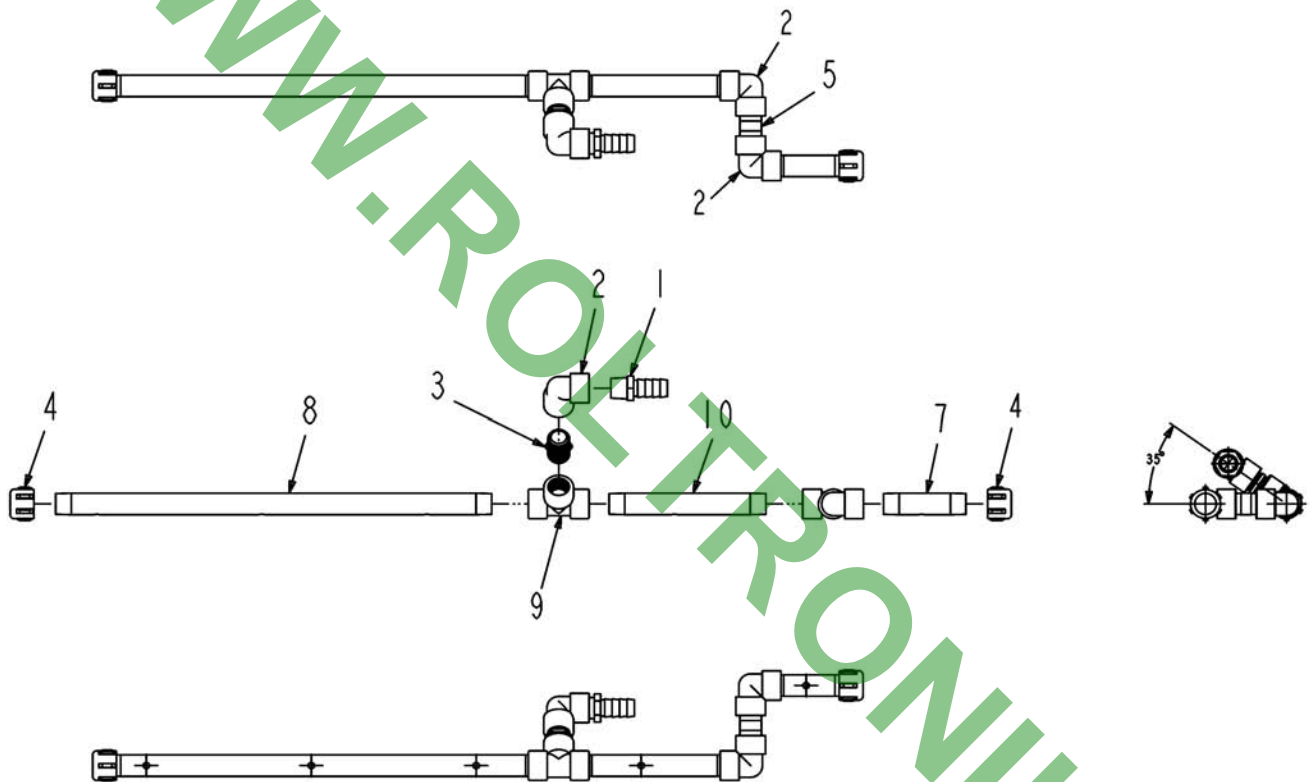
ITEM	PART #	QTY	DESCRIPTION	COMMENTS
1	AG027275	2	NUT,NY-LOCK 1/4-20 SS HX (P)	
2	AG231204	1	BOLT-U .31-18X1.88X2.63	[A]
3	AG515121	4	WASHER 0.25 FL SS REG	
4	AG516403	2	NUT 0.31-18NC HEX ESNA SS	
5	AG519180	1	CLAMP 1.50 BLACK POLY	
6	AG562074	2	WASHER FL 0.31 SS REG	
7	AG563061	2	BOLT 0.25-20NCX 3.25 SS HHD	
8	AG609777	2	INSERT STAUFF SPACER	[B]
9	506786D1	1	BRKT-MTG,SH,CLAMP,STAUFF,1.50	
	FOOTNOTE [A]		WASHER AG562074, NUT AG516403	
	FOOTNOTE [B]		USED ON AG518339, AG518340 AND AG520133 CLAMP	

WWW.ROLTRONIK.PL



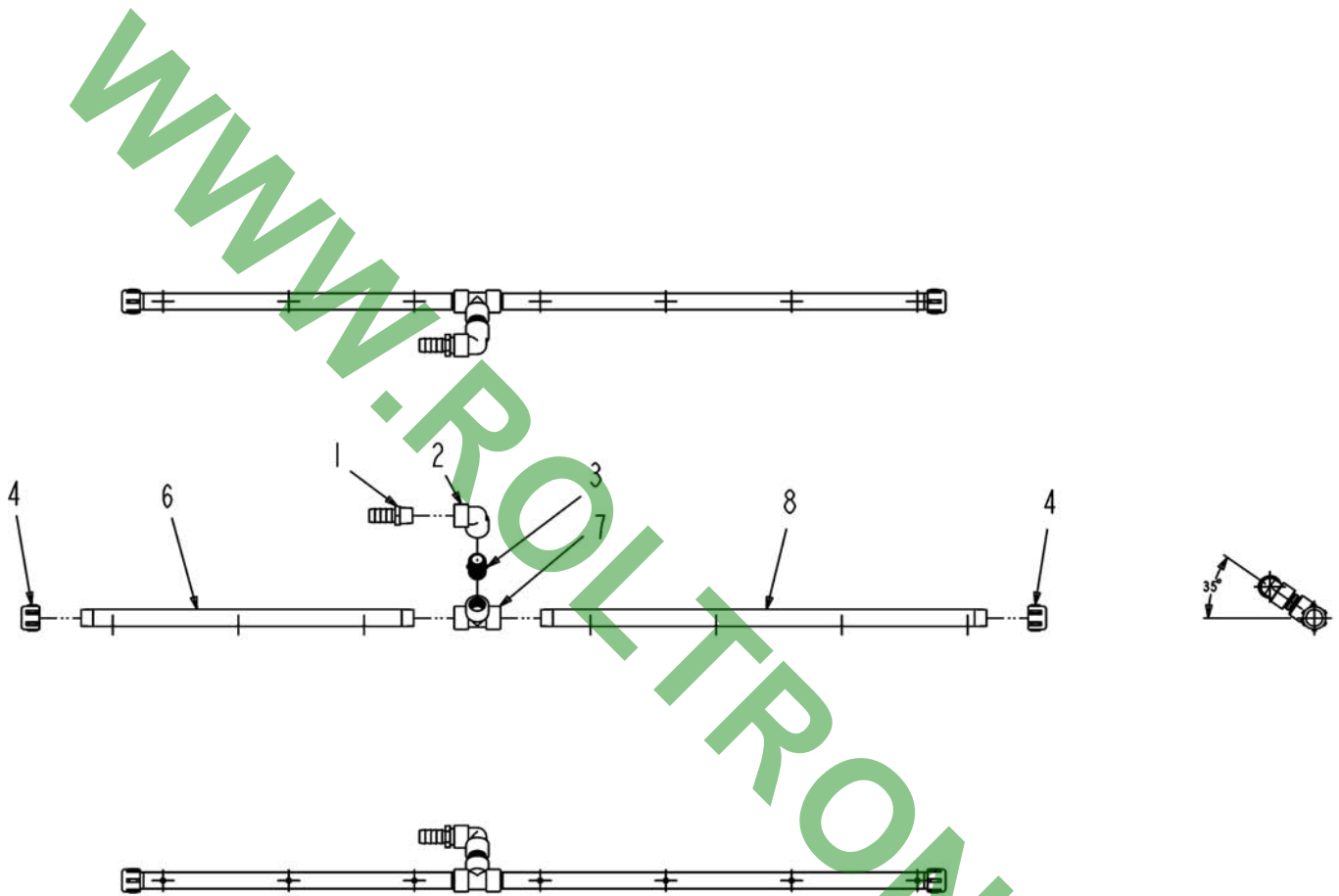
ITEM	PART #	QTY	DESCRIPTION	COMMENTS
1	AG051059	2	BARB-HOSE,1.00MNPTX1.00BARB,PP	
2	AG051153	1	NIPPLE-PIPE,1.00NPTXCLS,PP	
3	AG051536	2	CAP-PIPE,1.00NPT PP	
4	AG129187	AR	PIPE SEALANT-POLY SEAL	
5	AG239929	1	TUBE-POLY,25.44,10IN CTR	
6	AG239935	1	TUBE-POLY,36.44,10IN CTR	
7	AG516405	2	TEE,PIPE,1.00FNPT,PP	

WWW.ROLTRONIK.PL



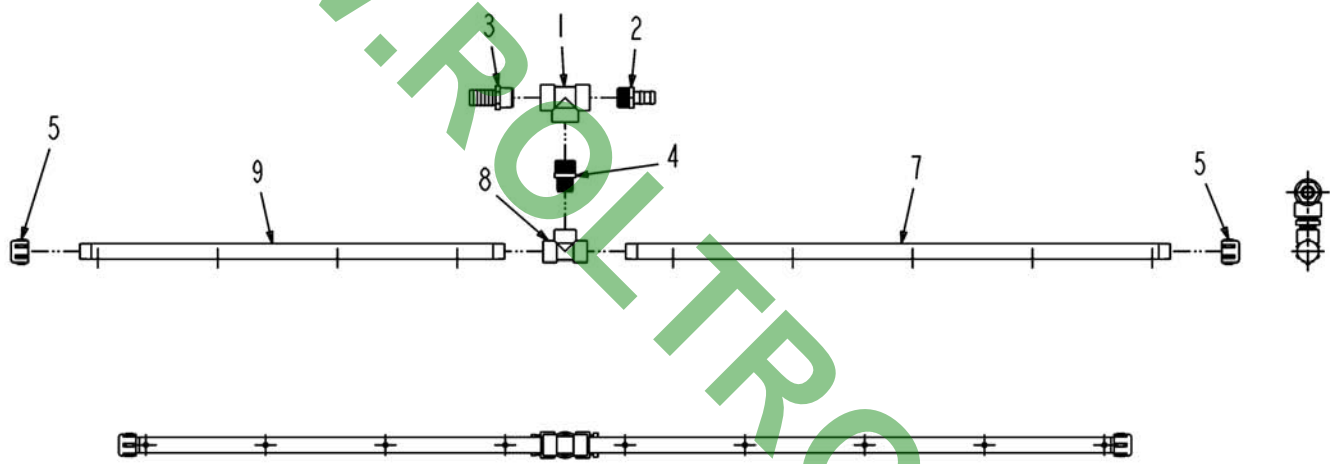
ITEM	PART #	QTY	DESCRIPTION	COMMENTS
1	AG051059	1	BARB-HOSE,1.00MNPTX1.00BARB,PP	
2	AG051127	3	ELBOW-PIPE,1.00FNPT,90D,PP	
3	AG051153	1	NIPPLE-PIPE,1.00NPTXCLS,PP	
4	AG051536	2	CAP-PIPE,1.00NPT PP	
5	AG051904	1	NIPPLE 1.00X2.50 304SS	
6	AG129187	AR	PIPE SEALANT-POLY SEAL	
7	AG234787	1	TUBE-POLY 5.00 X 10.00 CTRS	
8	AG239936	1	TUBE-POLY,26.44,10IN CTR	
9	AG516405	2	TEE,PIPE,1.00FNPT,PP	
10	506796D1	1	TUBE-POLY,9.50,10IN CTR	

WWW.ROLTRONIK.PL



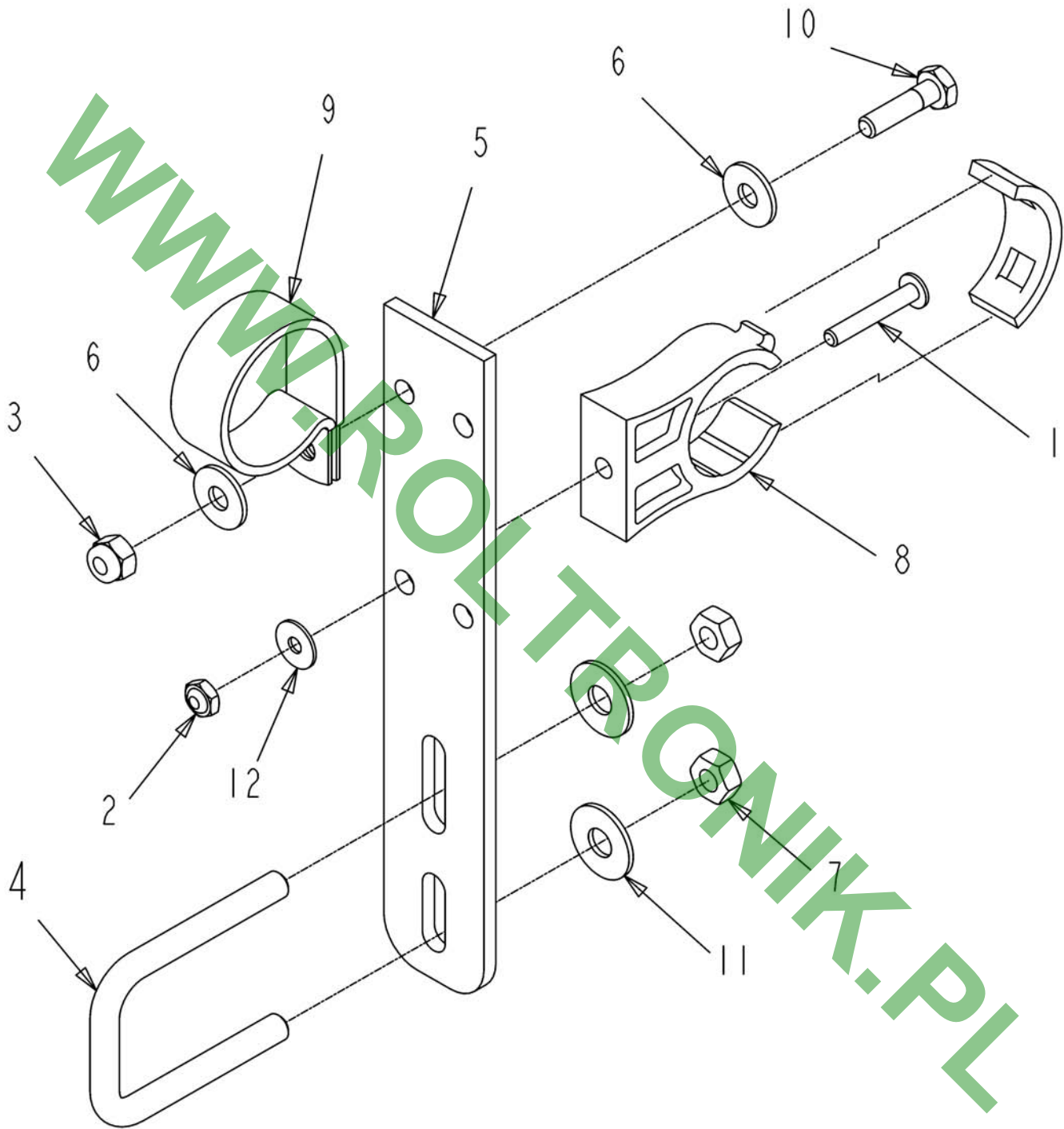
ITEM	PART #	QTY	DESCRIPTION	COMMENTS
1	AG051059	1	BARB-HOSE,1.00MNPTX1.00BARB,PP	
2	AG051127	1	ELBOW-PIPE,1.00FNPT,90D,PP	
3	AG051153	1	NIPPLE-PIPE,1.00NPTXCLS,PP	
4	AG051536	2	CAP-PIPE,1.00NPT PP	
5	AG129187	AR	PIPE SEALANT-POLY SEAL	
6	AG239936	1	TUBE-POLY,26.44,10IN CTR	
7	AG516405	1	TEE,PIPE,1.00FNPT,PP	
8	506805D1	1	TUBE-POLY,35.44,10IN CTR	

WWW.ROLTRONIK.PL



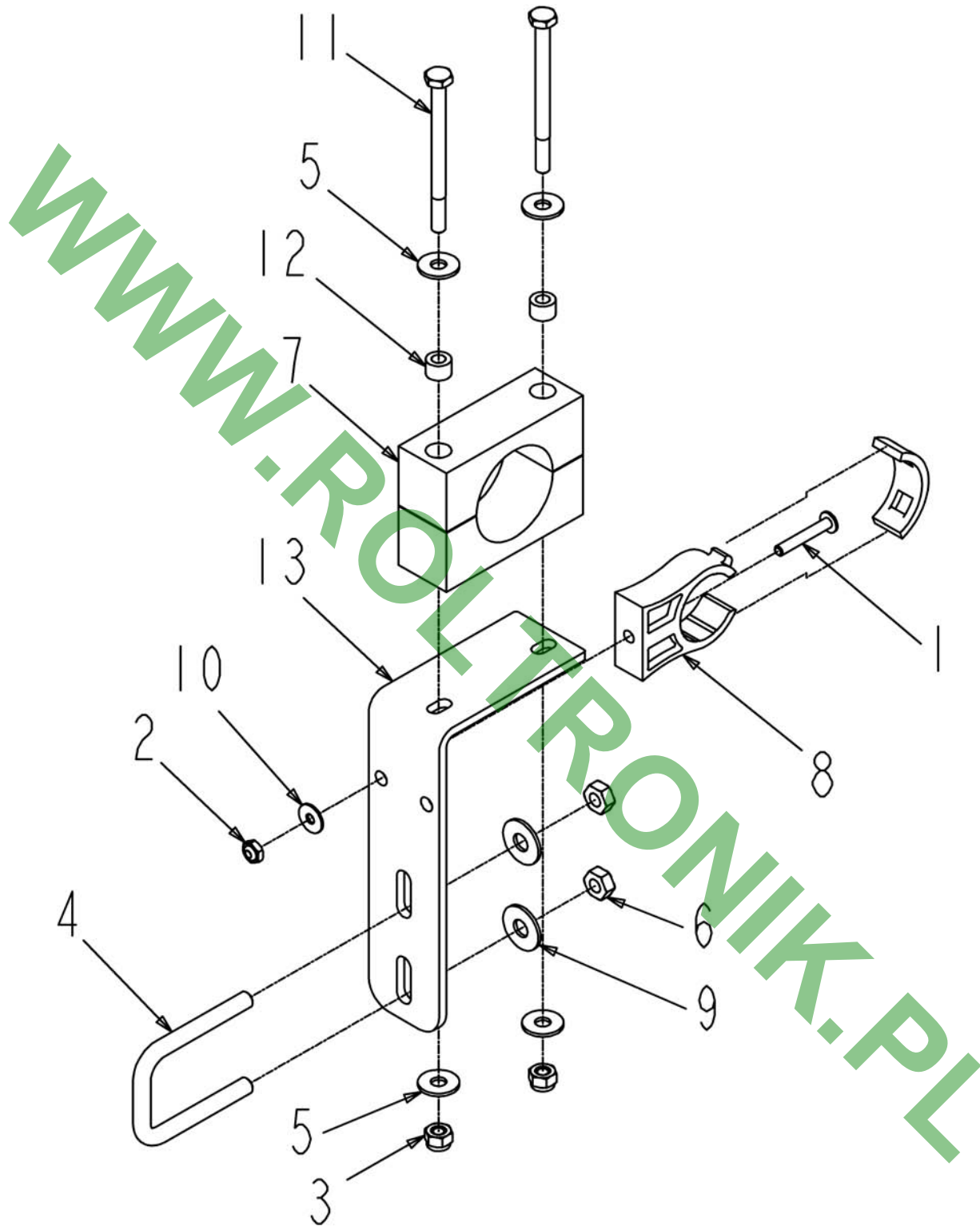
ITEM	PART #	QTY	DESCRIPTION	COMMENTS
1	AG051162	1	TEE,PIPE,1.25FNPT,PP	
2	AG051185	1	BARB-HOSE,1.25MNPTX1.00BARB,PP	
3	AG051186	1	BARB-HOSE,1.25MNPTX1.25BARB,PP	
4	AG051437	1	NIPPLE RED 1.25NPTX1.00NPT PP	[A]
5	AG051536	2	CAP-PIPE,1.00NPT PP	
6	AG129187	AR	PIPE SEALANT-POLY SEAL	
7	AG239930	1	TUBE-POLY,45.44,10IN CTR	
8	AG516405	1	TEE,PIPE,1.00FNPT,PP	
9	506805D1	1	TUBE-POLY,35.44,10IN CTR	
	FOOTNOTE [A]		REPLACED BY AG050280	

WWW.ROLTRONIK.PL

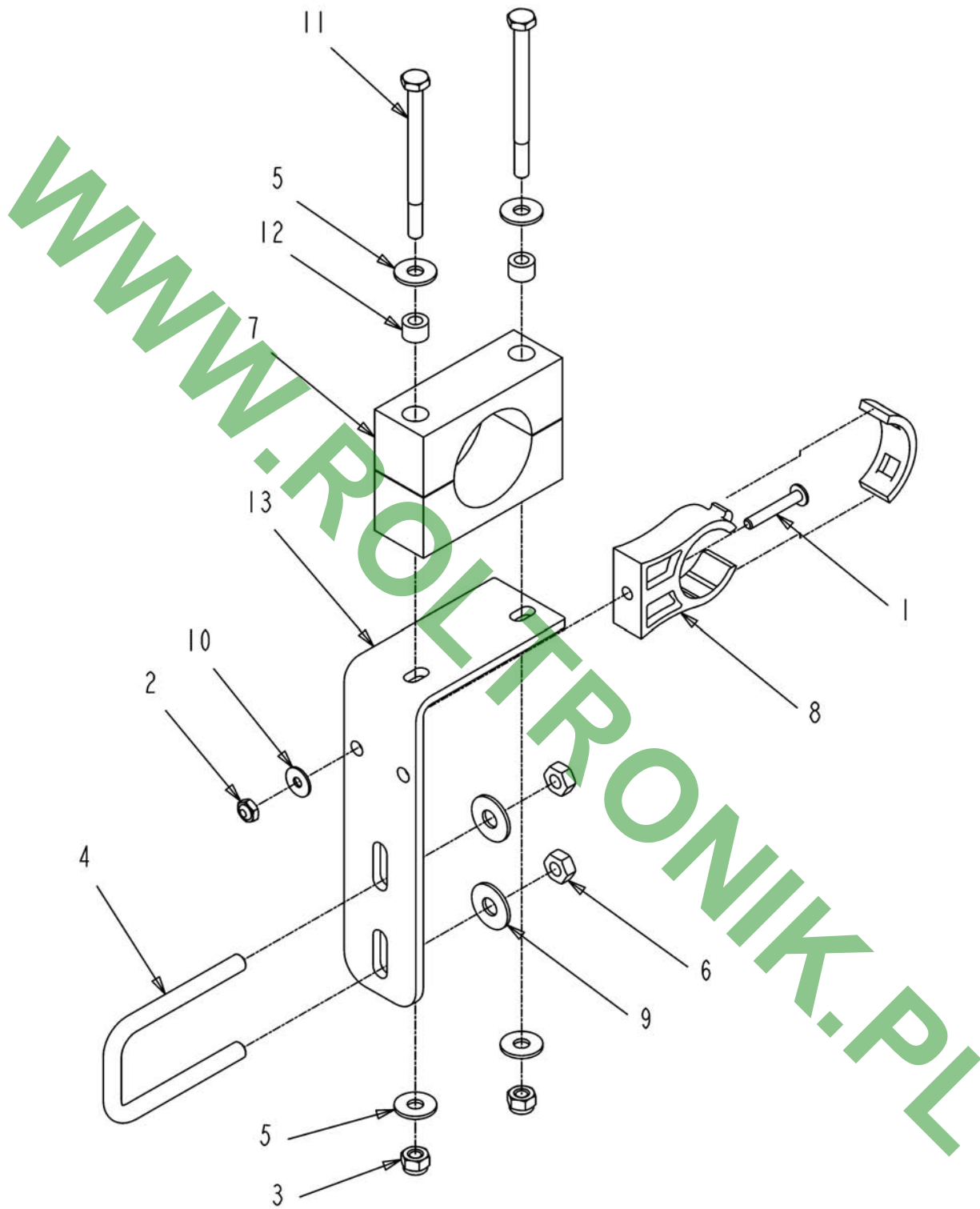


ITEM	PART #	QTY	DESCRIPTION	COMMENTS
1	AG027273	1	SCREW 10-24X 1.25 PHD PHILSS(P)	
2	AG027274	1	NUT 10-24NCSS LGT HX NY INS(P)	
3	AG027275	1	NUT,NY-LOCK 1/4-20 SS HX (P)	
4	AG231204	1	BOLT-U .31-18X1.88X2.63	[A]
5	AG234375	1	BRACKET LONG STANDOFF	
6	AG515121	2	WASHER 0.25 FL SS REG	
7	AG516403	2	NUT 0.31-18NC HEX ESNA SS	
8	AG519749	1	CLAMP 1.00 IPS POLY	[B]
9	AG523412	1	CLAMP-1.62 DIA,COATED HOSE	
10	AG562064	1	BOLT 0.25-20NCX 1.00 S.S. HDD	[C]
11	AG562074	2	WASHER FL 0.31 SS REG	
12	AG562082	1	WASHER #10 FL SS SAE	
	FOOTNOTE [A]		WASHER AG562074, NUT AG516403	
	FOOTNOTE [B]		SCREWS - AG027273, WASHERS - AG562082	
	FOOTNOTE [C]		STAINLESS STEEL	

WWW.ROLTRONIK.PL

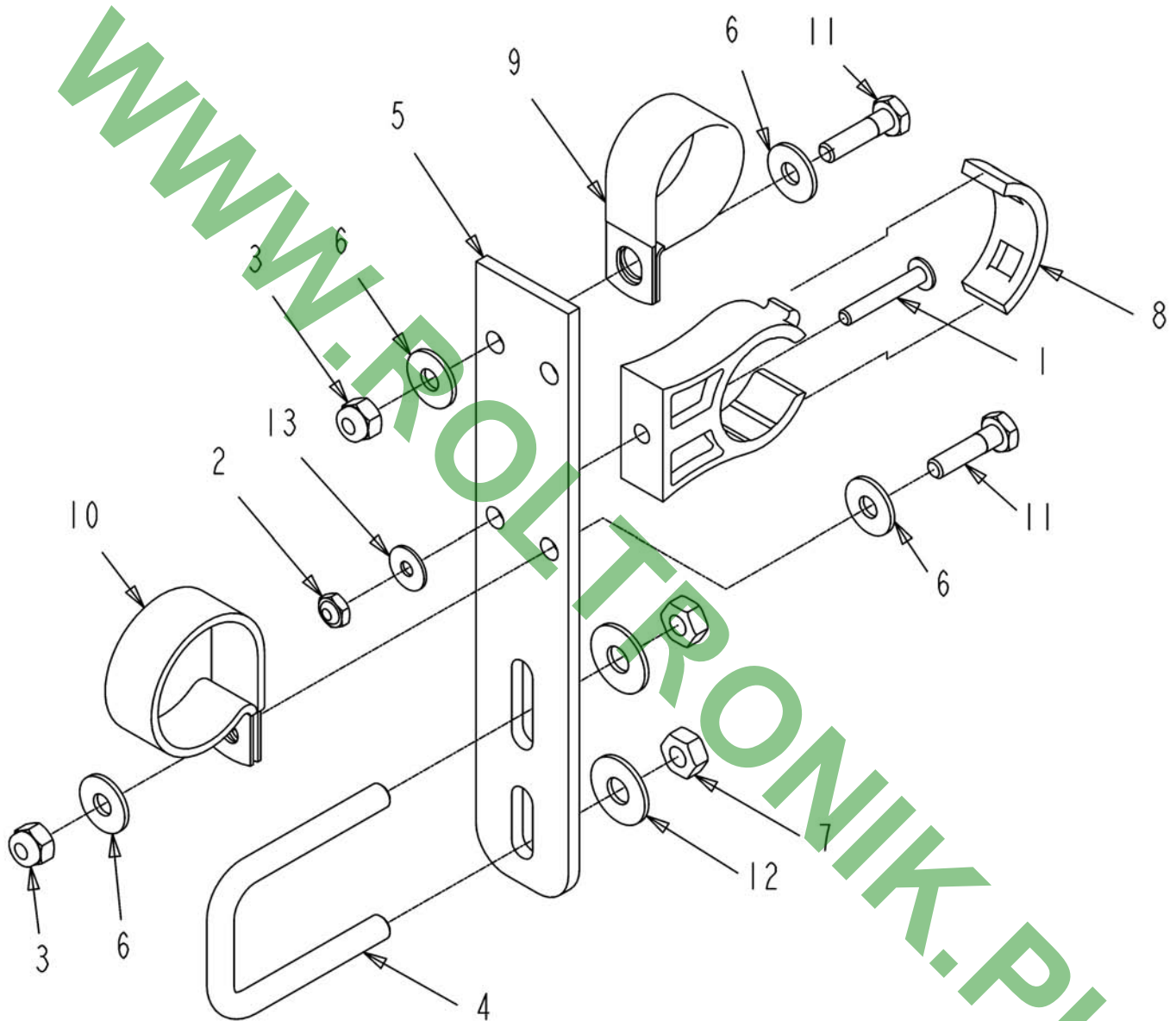


ITEM	PART #	QTY	DESCRIPTION	COMMENTS
1	AG027273	1	SCREW 10-24X 1.25 PHD PHILSS(P)	
2	AG027274	1	NUT 10-24NCSS LGT HX NY INS(P)	
3	AG027275	2	NUT,NY-LOCK 1/4-20 SS HX (P)	
4	AG231204	1	BOLT-U .31-18X1.88X2.63	[A]
5	AG515121	4	WASHER 0.25 FL SS REG	
6	AG516403	2	NUT 0.31-18NC HEX ESNA SS	
7	AG519180	1	CLAMP 1.50 BLACK POLY	
8	AG519749	1	CLAMP 1.00 IPS POLY	[B]
9	AG562074	2	WASHER FL 0.31 SS REG	
10	AG562082	1	WASHER #10 FL SS SAE	
11	AG563061	2	BOLT 0.25-20NCX 3.25 SS HHD	
12	AG609777	2	INSERT STAUFF SPACER	[C]
13	506785D1	1	BRKT-MTG,CLAMP,STAUFF,1.50	
	FOOTNOTE [A]		WASHER AG562074, NUT AG516403	
	FOOTNOTE [B]		SCREWS - AG027273, WASHERS - AG562082	
	FOOTNOTE [C]		USED ON AG518339, AG518340 AND AG520133 CLAMP	

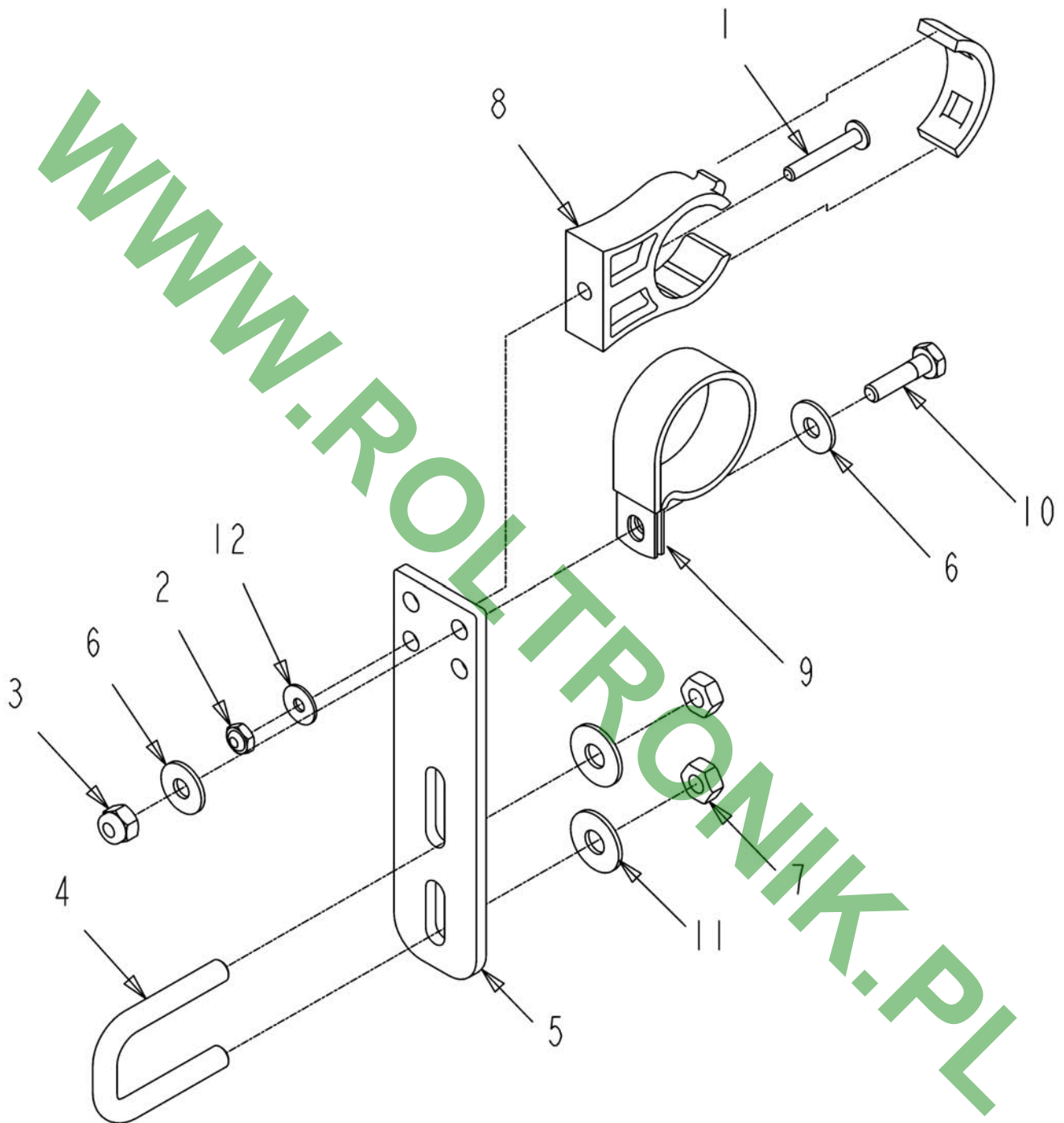


ITEM	PART #	QTY	DESCRIPTION	COMMENTS
1	AG027273	1	SCREW 10-24X 1.25 PHD PHILSS(P	
2	AG027274	1	NUT 10-24NCSS LGT HX NY INS(P)	
3	AG027275	2	NUT,NY-LOCK 1/4-20 SS HX (P)	
4	AG261322	1	BOLT-U,.31-18X1.56X2.97SQ,SS	
5	AG515121	4	WASHER 0.25 FL SS REG	
6	AG516403	2	NUT 0.31-18NC HEX ESNA SS	
7	AG519180	1	CLAMP 1.50 BLACK POLY	
8	AG519749	1	CLAMP 1.00 IPS POLY	[A]
9	AG562074	2	WASHER FL 0.31 SS REG	
10	AG562082	1	WASHER #10 FL SS SAE	
11	AG563061	2	BOLT 0.25-20NCX 3.25 SS HHD	
12	AG609777	2	INSERT STAUFF SPACER	[B]
13	506785D1	1	BRKT-MTG,CLAMP,STAUFF,1.50	
	FOOTNOTE [A]		SCREWS - AG027273, WASHERS - AG562082	
	FOOTNOTE [B]		USED ON AG518339, AG518340 AND AG520133 CLAMP	

WWW.ROLTRONIK.PL

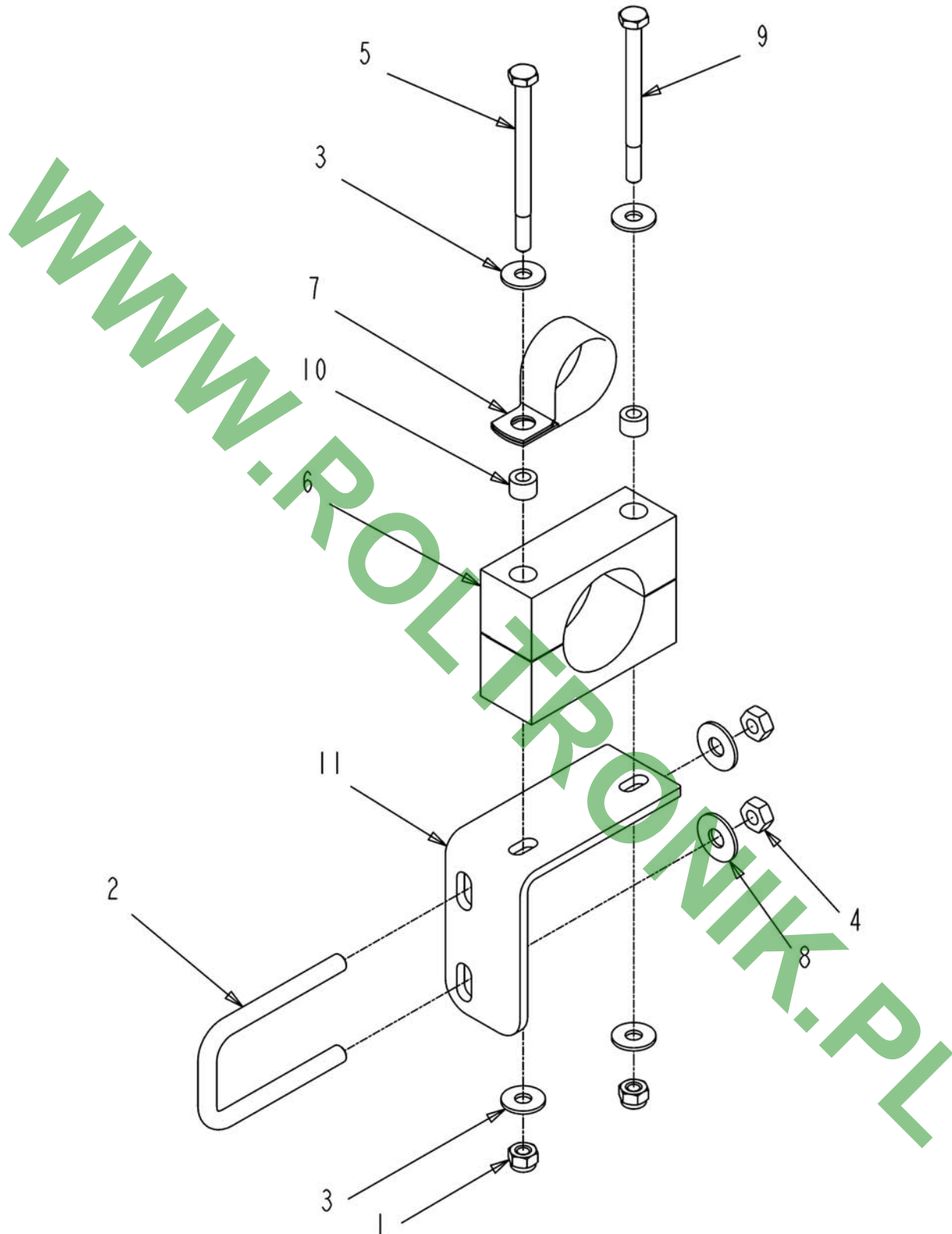


ITEM	PART #	QTY	DESCRIPTION	COMMENTS
1	AG027273	1	SCREW 10-24X 1.25 PHD PHILSS(P)	
2	AG027274	1	NUT 10-24NCSS LGT HX NY INS(P)	
3	AG027275	2	NUT,NY-LOCK 1/4-20 SS HX (P)	
4	AG231204	1	BOLT-U .31-18X1.88X2.63	[A]
5	AG234375	1	BRACKET LONG STANDOFF	
6	AG515121	4	WASHER 0.25 FL SS REG	
7	AG516403	2	NUT 0.31-18NC HEX ESNA SS	
8	AG519749	1	CLAMP 1.00 IPS POLY	[B]
9	AG519751	1	CLAMP 1.38 DIA COATED HOSE	
10	AG523412	1	CLAMP-1.62 DIA,COATED HOSE	
11	AG562064	2	BOLT 0.25-20NCX 1.00 S.S. HHD	[C]
12	AG562074	2	WASHER FL 0.31 SS REG	
13	AG562082	1	WASHER #10 FL SS SAE	
	FOOTNOTE [A]		WASHER AG562074, NUT AG516403	
	FOOTNOTE [B]		SCREWS - AG027273, WASHERS - AG562082	
	FOOTNOTE [C]		STAINLESS STEEL	



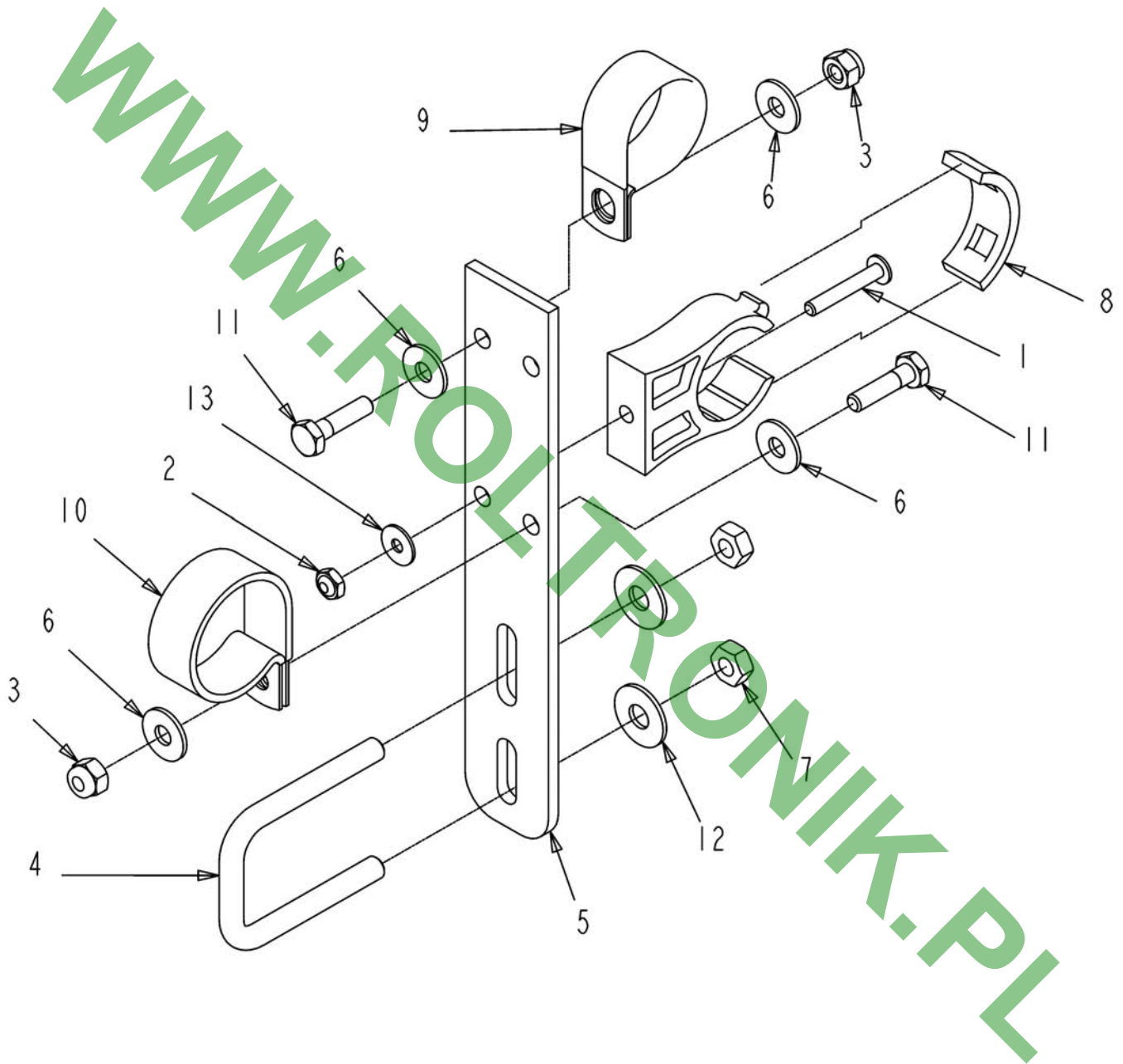
ITEM	PART #	QTY	DESCRIPTION	COMMENTS
1	AG027273	1	SCREW 10-24X 1.25 PHD PHILSS(P)	
2	AG027274	1	NUT 10-24NCSS LGT HX NY INS(P)	
3	AG027275	1	NUT,NY-LOCK 1/4-20 SS HX (P)	
4	WR129144	1	BOLT-U,.31-18X1.06X1.97,SQ,SS	
5	AG234373	1	BRACKET SHORT STANDOFF	
6	AG515121	2	WASHER 0.25 FL SS REG	
7	AG516403	2	NUT 0.31-18NC HEX ESNA SS	
8	AG519749	1	CLAMP 1.00 IPS POLY	[A]
9	AG523412	1	CLAMP-1.62 DIA,COATED HOSE	
10	AG562064	1	BOLT 0.25-20NCX 1.00 S.S. HDD	[B]
11	AG562074	2	WASHER FL 0.31 SS REG	
12	AG562082	1	WASHER #10 FL SS SAE	
	FOOTNOTE [A]		SCREWS - AG027273, WASHERS - AG562082	
	FOOTNOTE [B]		STAINLESS STEEL	

WWW.ROLTRONIK.PL

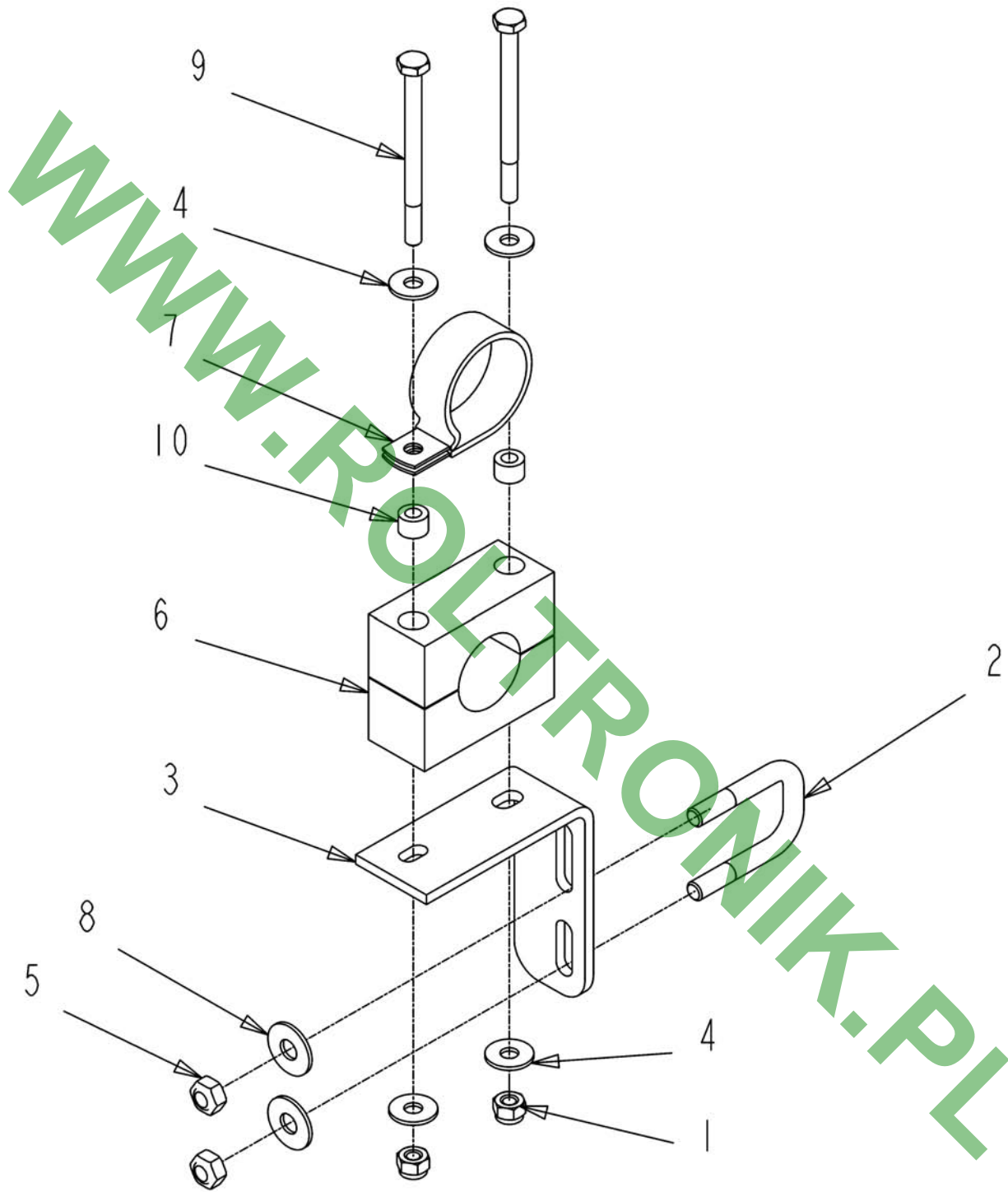


ITEM	PART #	QTY	DESCRIPTION	COMMENTS
1	AG027275	2	NUT,NY-LOCK 1/4-20 SS HX (P)	
2	AG261322	1	BOLT-U, .31-18X1.56X2.97SQ,SS	
3	AG515121	4	WASHER 0.25 FL SS REG	
4	AG516403	2	NUT 0.31-18NC HEX ESNA SS	
5	AG518507	1	BOLT 0.25-20NCX 3.50 SS	
6	AG519180	1	CLAMP 1.50 BLACK POLY	
7	AG519751	1	CLAMP 1.38 DIA COATED HOSE	
8	AG562074	2	WASHER FL 0.31 SS REG	
9	AG563061	2	BOLT 0.25-20NCX 3.25 SS HHD	
10	AG609777	2	INSERT STAUFF SPACER	[A]
11	506786D1 FOOTNOTE [A]	1	BRKT-MTG,SH,CLAMP,STAUFF,1.50 USED ON AG518339, AG518340 AND AG520133 CLAMP	

WWW.ROLTRONIK.PL

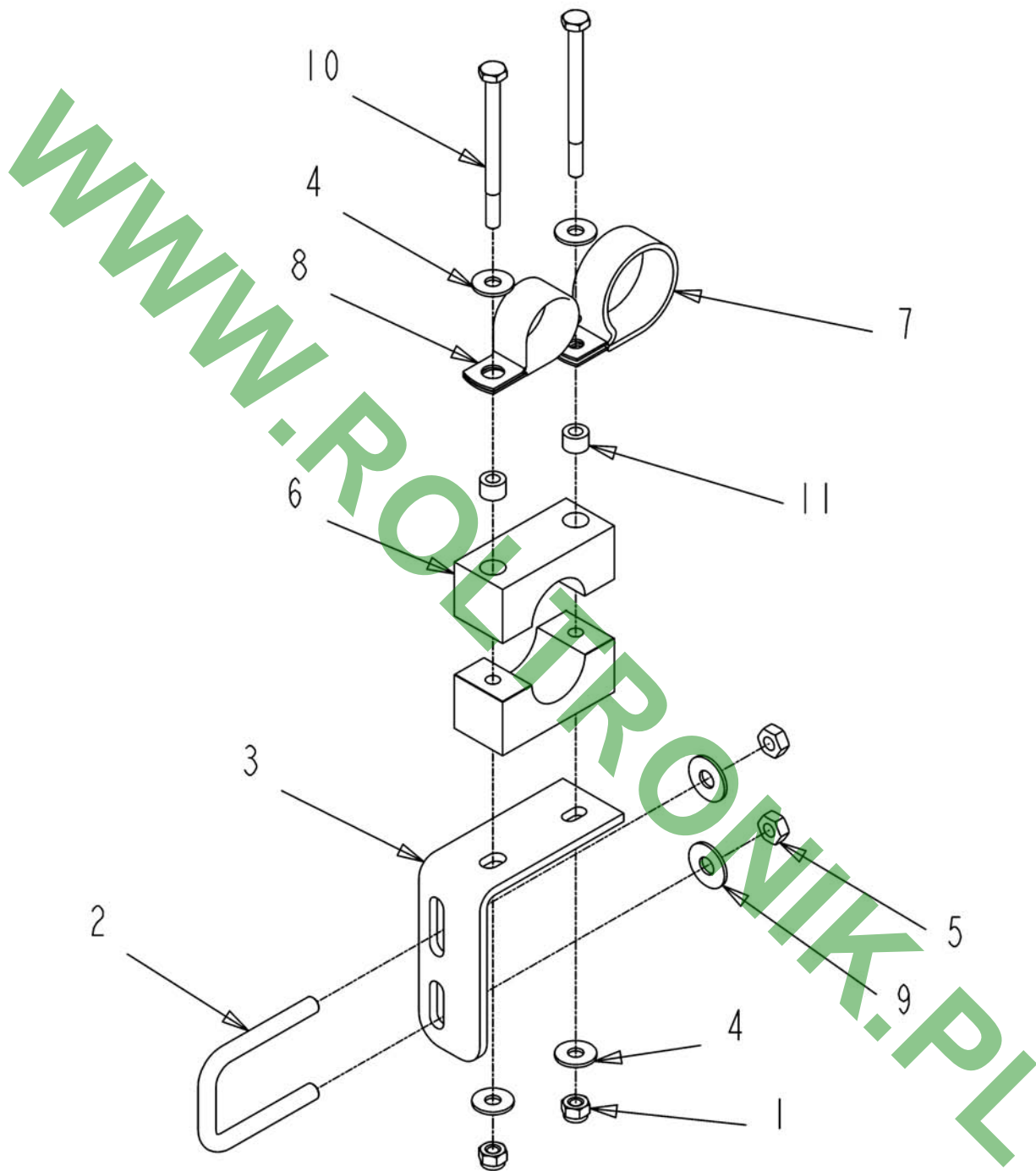


ITEM	PART #	QTY	DESCRIPTION	COMMENTS
1	AG027273	1	SCREW 10-24X 1.25 PHD PHILSS(P)	
2	AG027274	1	NUT 10-24NCSS LGT HX NY INS(P)	
3	AG027275	2	NUT,NY-LOCK 1/4-20 SS HX (P)	
4	AG231204	1	BOLT-U .31-18X1.88X2.63	[A]
5	AG234375	1	BRACKET LONG STANDOFF	
6	AG515121	4	WASHER 0.25 FL SS REG	
7	AG516403	2	NUT 0.31-18NC HEX ESNA SS	
8	AG519749	1	CLAMP 1.00 IPS POLY	[B]
9	AG519751	1	CLAMP 1.38 DIA COATED HOSE	
10	AG523412	1	CLAMP-1.62 DIA,COATED HOSE	
11	AG562064	2	BOLT 0.25-20NCX 1.00 S.S. HHD	[C]
12	AG562074	2	WASHER FL 0.31 SS REG	
13	AG562082	1	WASHER #10 FL SS SAE	
	FOOTNOTE [A]		WASHER AG562074, NUT AG516403	
	FOOTNOTE [B]		SCREWS - AG027273, WASHERS - AG562082	
	FOOTNOTE [C]		STAINLESS STEEL	

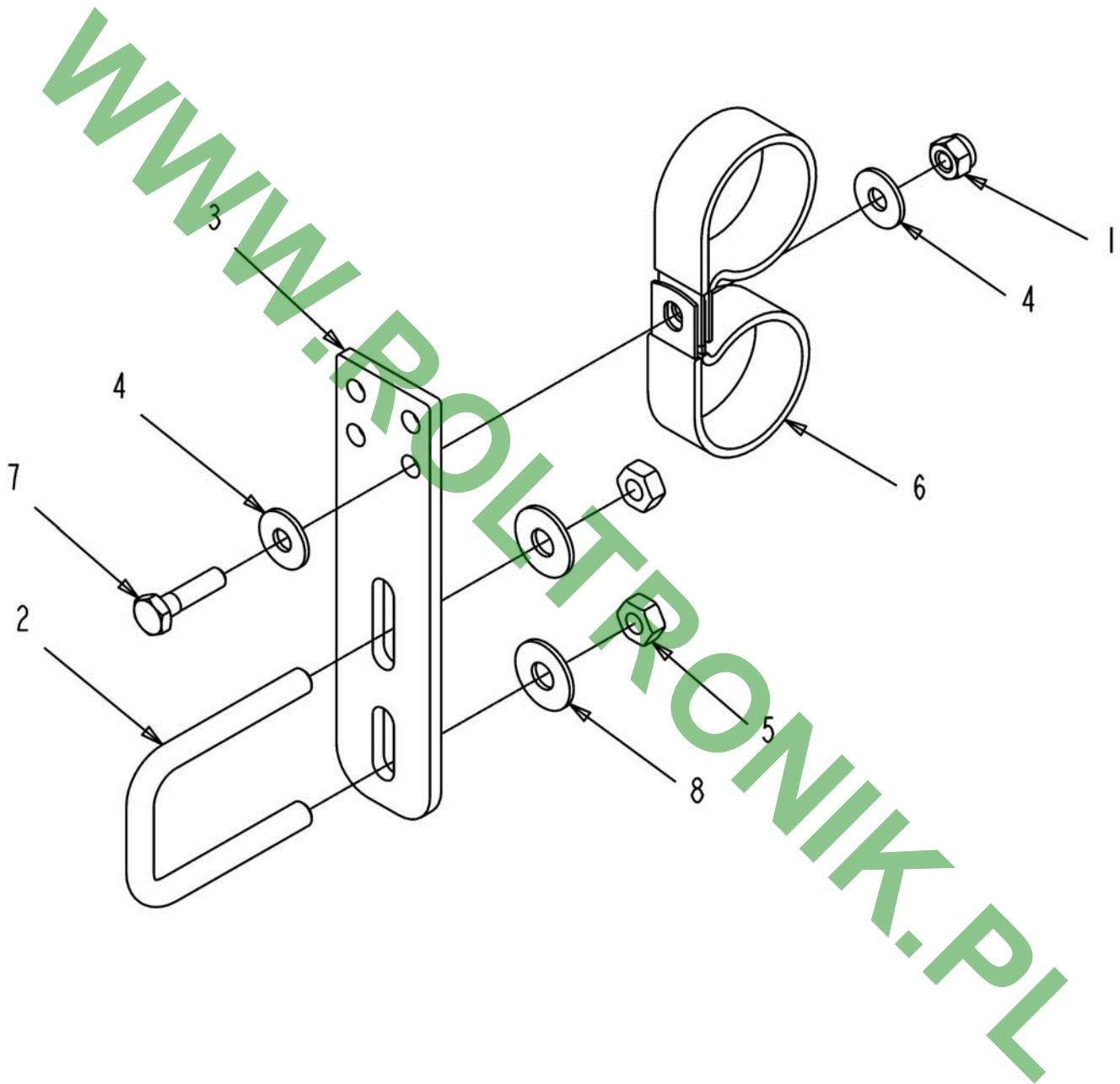


ITEM	PART #	QTY	DESCRIPTION	COMMENTS
1	AG027275	2	NUT,NY-LOCK 1/4-20 SS HX (P)	
2	WR129144	1	BOLT-U, .31-18X1.06X1.97,SQ,SS	
3	AG232784	1	BRACKET STAND OFF WET BOOM	[A]
4	AG515121	4	WASHER 0.25 FL SS REG	
5	AG516403	2	NUT 0.31-18NC HEX ESNA SS	
6	AG519748	1	CLAMP 1.00 PIPE	[B]
7	AG523412	1	CLAMP-1.62 DIA,COATED HOSE	
8	AG562074	2	WASHER FL 0.31 SS REG	
9	AG563061	2	BOLT 0.25-20NCX 3.25 SS HHD	
10	AG609777	2	INSERT STAUFF SPACER	[C]
	FOOTNOTE [A]		TO BE USED W/TRIPLE NOZZLE BODIES, ALSO REF. AG231116	
	FOOTNOTE [B]		2 INSERTS AND 2 CLAMP MAKE UP 1 PART. BOLT - AG563061, WASHER - AG515121, NUT - AG027275,	
	FOOTNOTE [C]		USED ON AG518339, AG518340 AND AG520133 CLAMP	

WWW.ROLTRONIK.PL

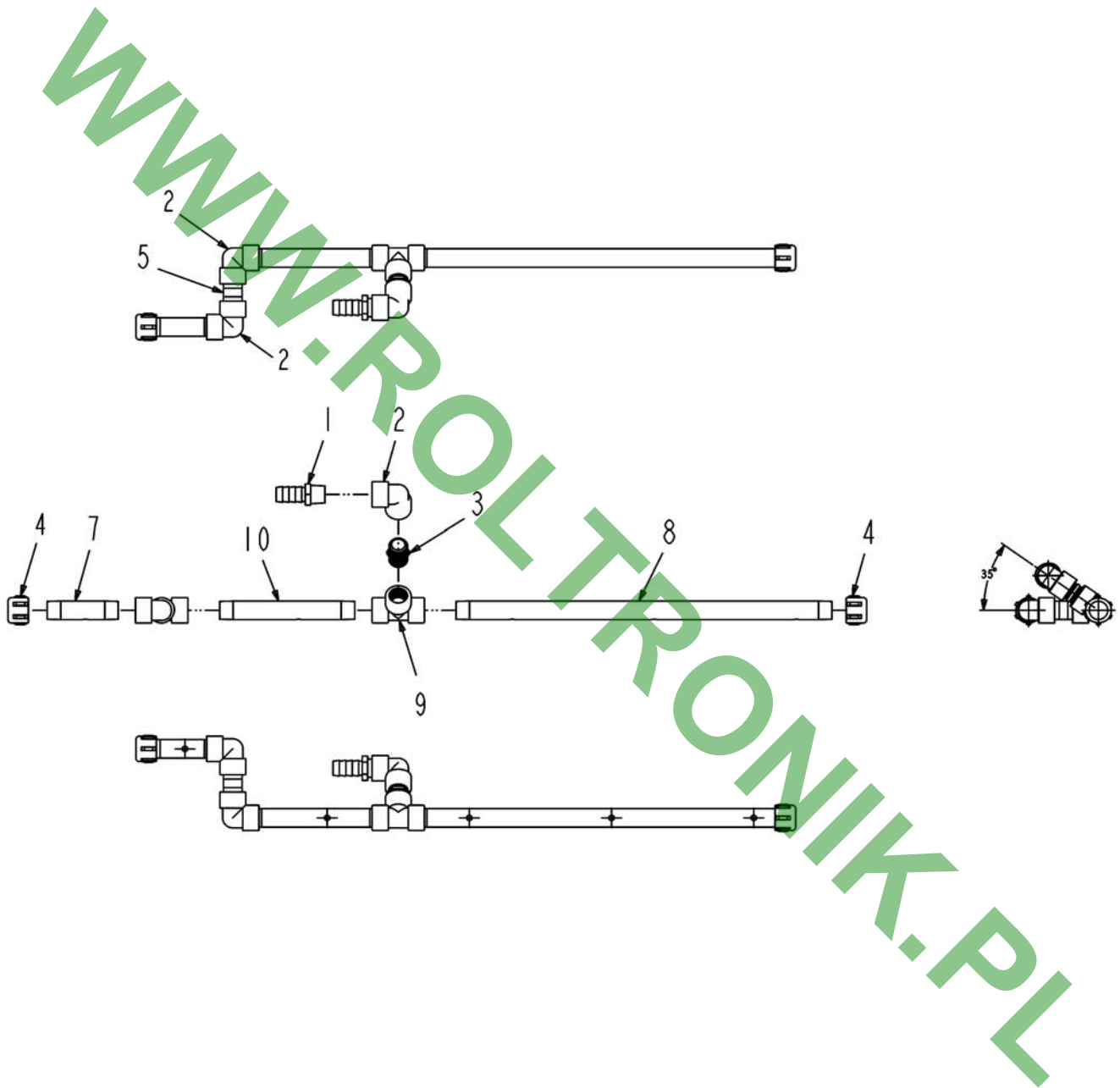


ITEM	PART #	QTY	DESCRIPTION	COMMENTS
1	AG027275	2	NUT,NY-LOCK 1/4-20 SS HX (P)	
2	AG231204	1	BOLT-U .31-18X1.88X2.63	[A]
3	AG232784	1	BRACKET STAND OFF WET BOOM	[B]
4	AG515121	4	WASHER 0.25 FL SS REG	
5	AG516403	2	NUT 0.31-18NC HEX ESNA SS	
6	AG519748	1	CLAMP 1.00 PIPE	[C]
7	AG523412	1	CLAMP-1.62 DIA,COATED HOSE	
9	AG562074	2	WASHER FL 0.31 SS REG	
10	AG563061	2	BOLT 0.25-20NCX 3.25 SS HHD	
11	AG609777	2	INSERT STAUFF SPACER	[D]
	FOOTNOTE [A]		WASHER AG562074, NUT AG516403	
	FOOTNOTE [B]		TO BE USED W/TRIPLE NOZZLE BODIES, ALSO REF. AG231116	
	FOOTNOTE [C]		2 INSERTS AND 2 CLAMP MAKE UP 1 PART. BOLT - AG563061, WASHER - AG515121, NUT - AG027275,	
	FOOTNOTE [D]		USED ON AG518339, AG518340 AND AG520133 CLAMP	



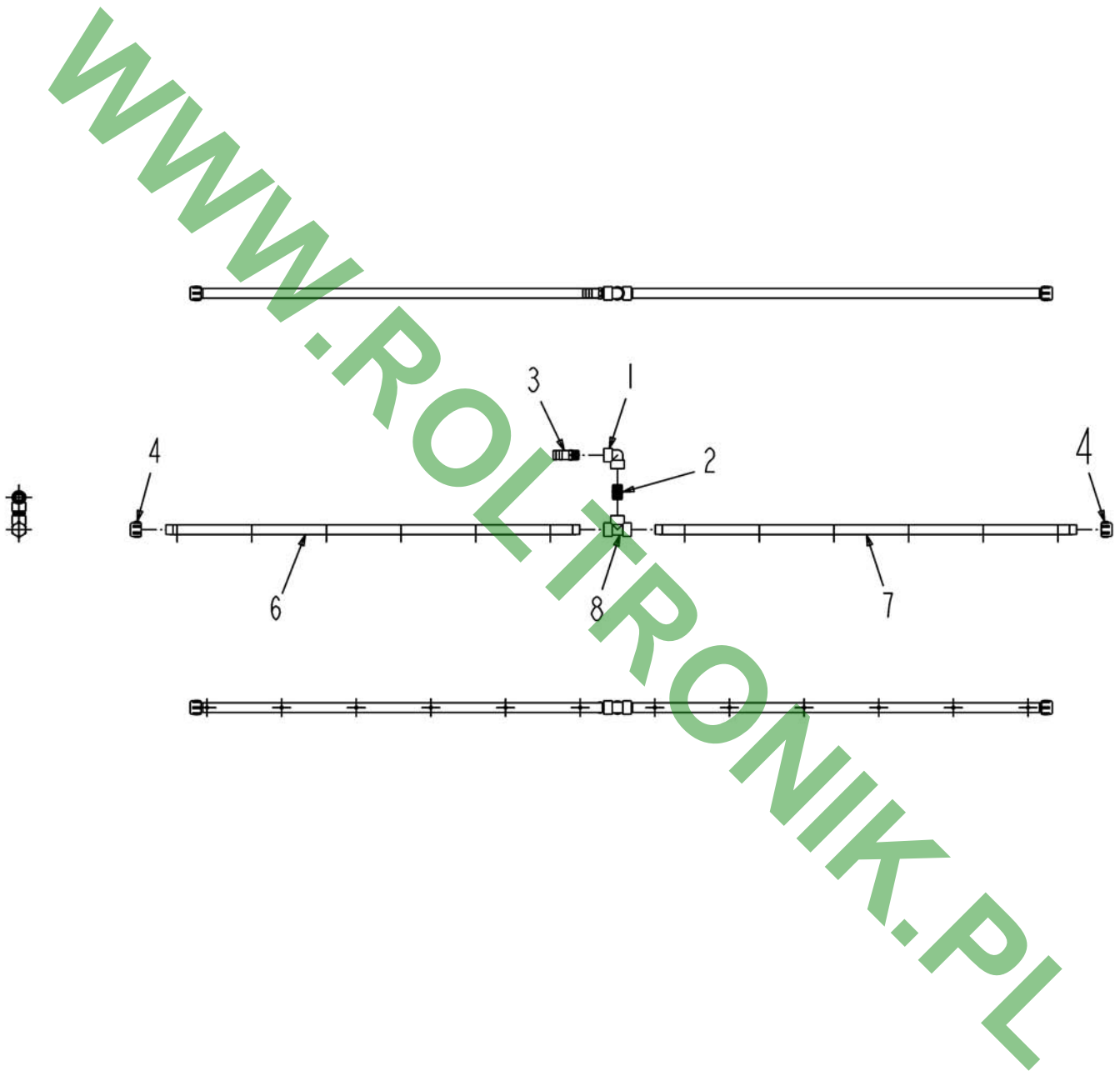
ITEM	PART #	QTY	DESCRIPTION	COMMENTS
1	AG027275	1	NUT,NY-LOCK 1/4-20 SS HX (P)	
2	AG231204	1	BOLT-U .31-18X1.88X2.63	[A]
3	AG234373	1	BRACKET SHORT STANDOFF	
4	AG515121	2	WASHER 0.25 FL SS REG	
5	AG516403	2	NUT 0.31-18NC HEX ESNA SS	
6	AG523412	2	CLAMP-1.62 DIA,COATED HOSE	
7	AG562064	1	BOLT 0.25-20NCX 1.00 S.S. HHD	[B]
8	AG562074	1	WASHER FL 0.31 SS REG	
	FOOTNOTE [A]		WASHER AG562074, NUT AG516403	
	FOOTNOTE [B]		STAINLESS STEEL	

WWW.ROLTRONIK.PL



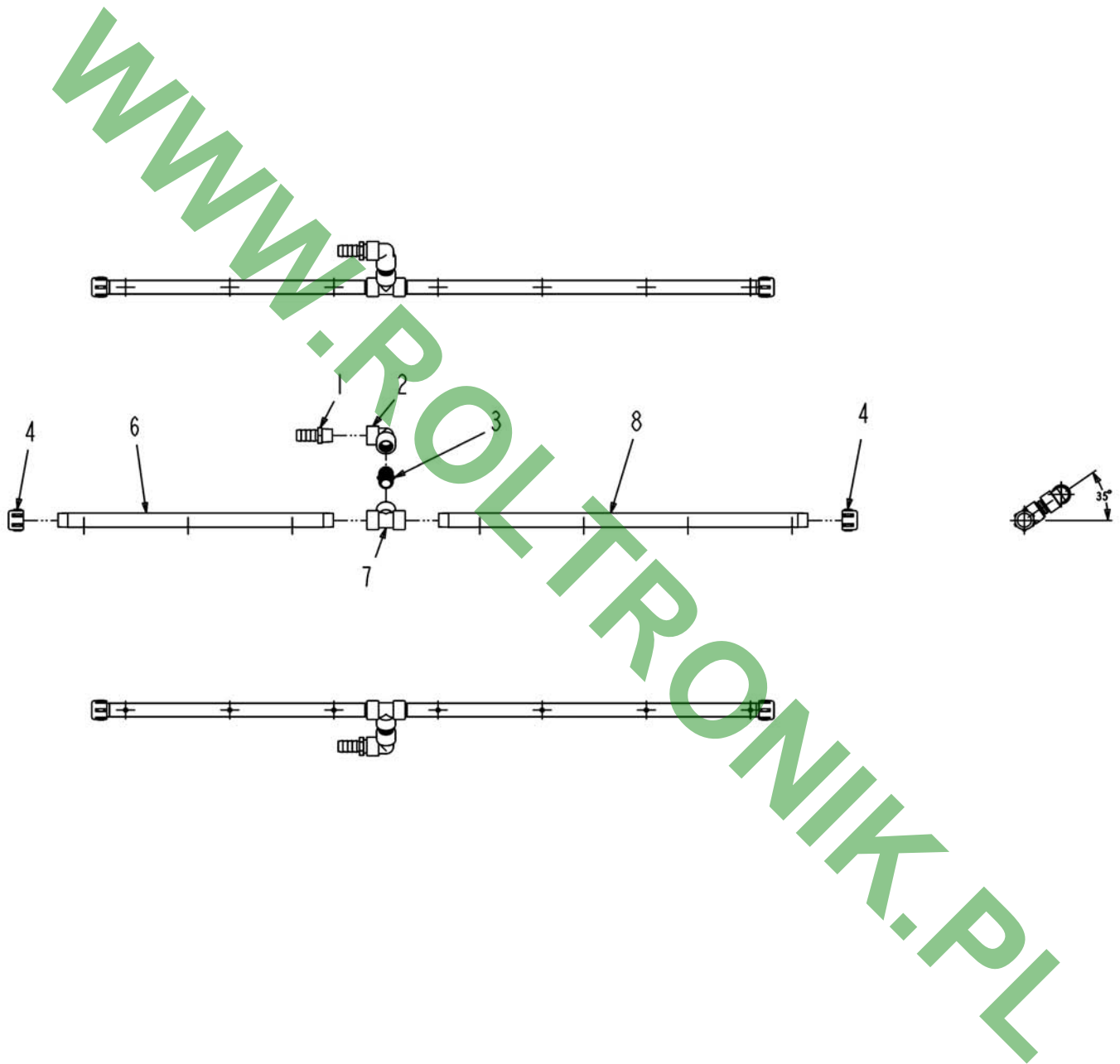
ITEM	PART #	QTY	DESCRIPTION	COMMENTS
1	AG051059	1	BARB-HOSE,1.00MNPTX1.00BARB,PP	
2	AG051127	3	ELBOW-PIPE,1.00FNPT,90D,PP	
3	AG051153	1	NIPPLE-PIPE,1.00NPTXCLS,PP	
4	AG051536	2	CAP-PIPE,1.00NPT PP	
5	AG051904	1	NIPPLE 1.00X2.50 304SS	
6	AG129187	AR	PIPE SEALANT-POLY SEAL	
7	AG234787	1	TUBE-POLY 5.00 X 10.00 CTRS	
8	AG239936	1	TUBE-POLY,26.44,10IN CTR	
9	AG516405	2	TEE,PIPE,1.00FNPT,PP	
10	506796D1	1	TUBE-POLY,9.50,10IN CTR	

WWW.ROLTRONIK.PL



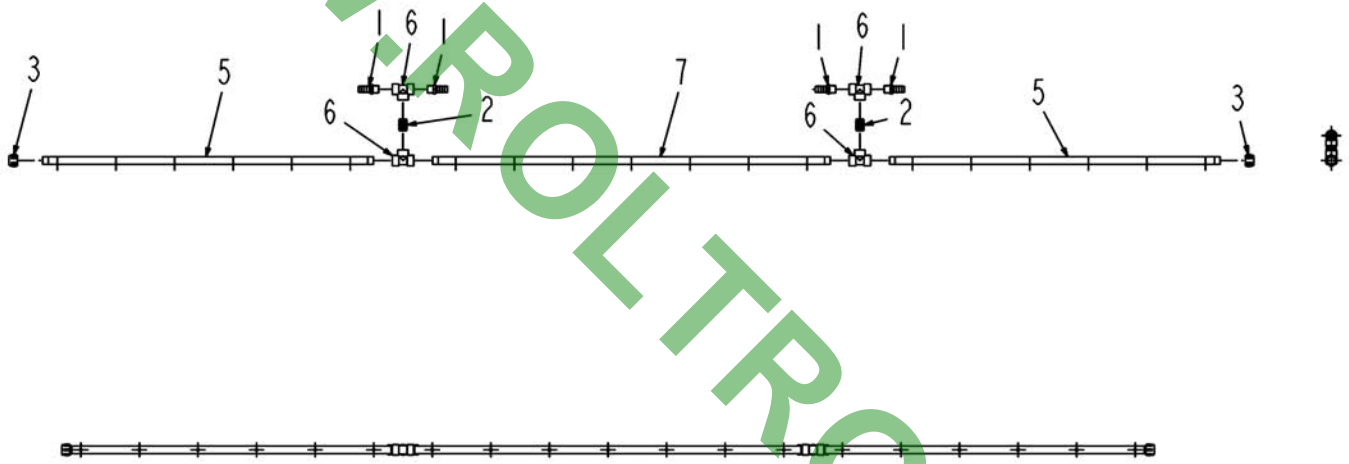
ITEM	PART #	QTY	DESCRIPTION	COMMENTS
1	AG051127	1	ELBOW-PIPE,1.00FNPT,90D,PP	
2	AG051153	1	NIPPLE-PIPE,1.00NPTXCLS,PP	
3	AG051183	1	BARB-HOSE,1.00MNPTX1.25BARB,PP	
4	AG051536	2	CAP-PIPE,1.00NPT PP	
5	AG129187	AR	PIPE SEALANT-POLY SEAL	
6	AG134850	1	TUBE-PP,55.44,10IN CTR	
7	AG239937	1	TUBE-POLY,56.44,10IN CTR	
8	AG516405	1	TEE,PIPE,1.00FNPT,PP	

WWW.ROLTRONIK.PL



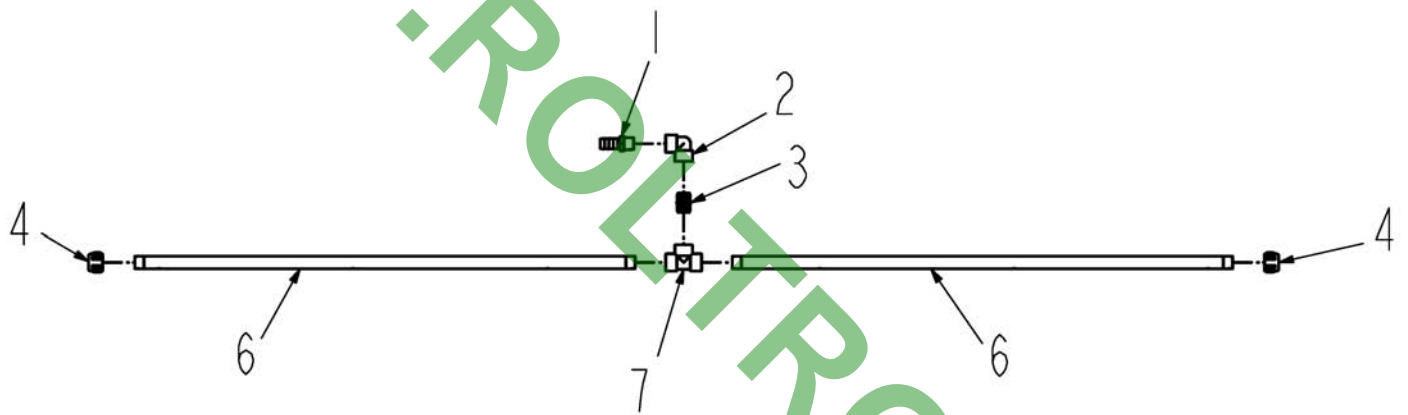
ITEM	PART #	QTY	DESCRIPTION	COMMENTS
1	AG051059	1	BARB-HOSE,1.00MNPTX1.00BARB,PP	
2	AG051127	1	ELBOW-PIPE,1.00FNPT,90D,PP	
3	AG051153	1	NIPPLE-PIPE,1.00NPTXCLS,PP	
4	AG051536	2	CAP-PIPE,1.00NPT PP	
5	AG129187	AR	PIPE SEALANT-POLY SEAL	
6	AG239936	1	TUBE-POLY,26.44,10IN CTR	
7	AG516405	1	TEE,PIPE,1.00FNPT,PP	
8	506805D1	1	TUBE-POLY,35.44,10IN CTR	

WWW.ROLTRONIK.PL



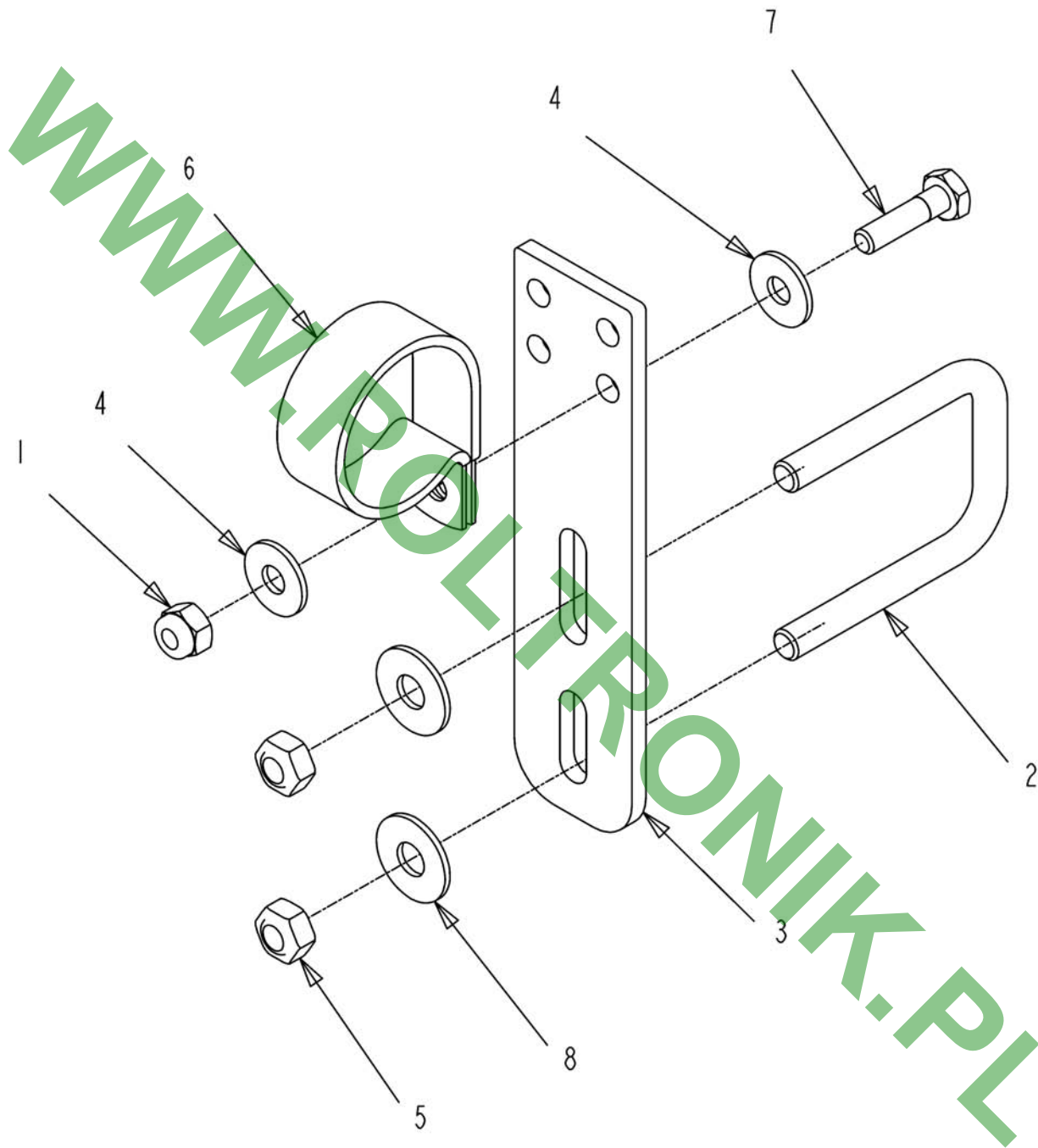
ITEM	PART #	QTY	DESCRIPTION	COMMENTS
1	AG051059	4	BARB-HOSE,1.00MNPTX1.00BARB,PP	
2	AG051153	2	NIPPLE-PIPE,1.00NPTXCLS,PP	
3	AG051536	2	CAP-PIPE,1.00NPT PP	
4	AG129187	AR	PIPE SEALANT-POLY SEAL	
5	AG239937	2	TUBE-POLY,56.44,10IN CTR	
6	AG516405	4	TEE,PIPE,1.00FNPT,PP	
7	506806D1	1	TUBE-POLY,67.88,10IN CTR	

WWW.ROLTRONIK.PL



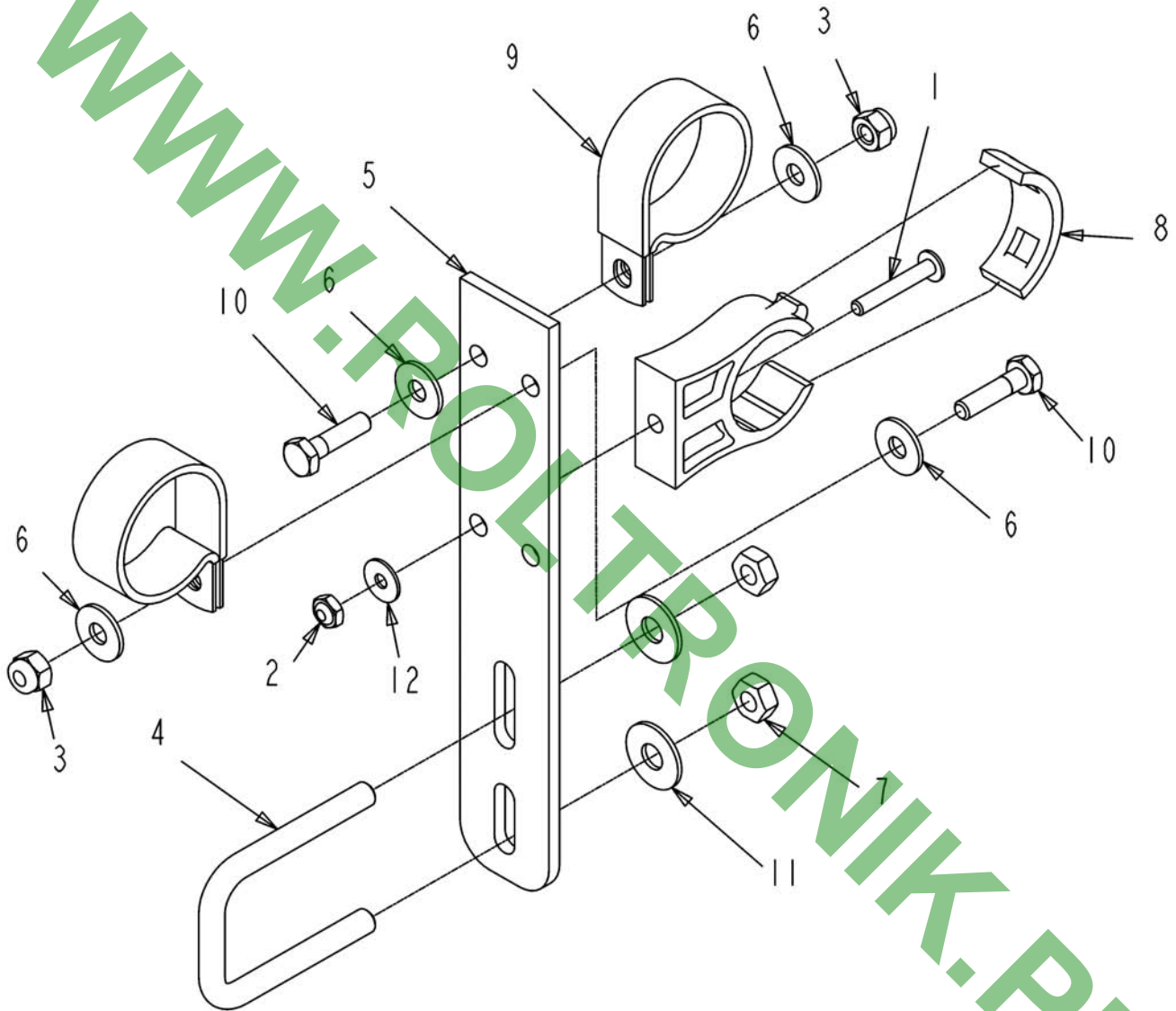
ITEM	PART #	QTY	DESCRIPTION	COMMENTS
1	AG051059	1	BARB-HOSE,1.00MNPTX1.00BARB,PP	
2	AG051127	1	ELBOW-PIPE,1.00FNPT,90D,PP	
3	AG051153	1	NIPPLE-PIPE,1.00NPTXCLS,PP	
4	AG051536	2	CAP-PIPE,1.00NPT PP	
5	AG129187	AR	PIPE SEALANT-POLY SEAL	
6	AG239721	2	TUBE-51.50,POLY	
7	AG516405	1	TEE,PIPE,1.00FNPT,PP	

WWW.ROLTRONIK.PL

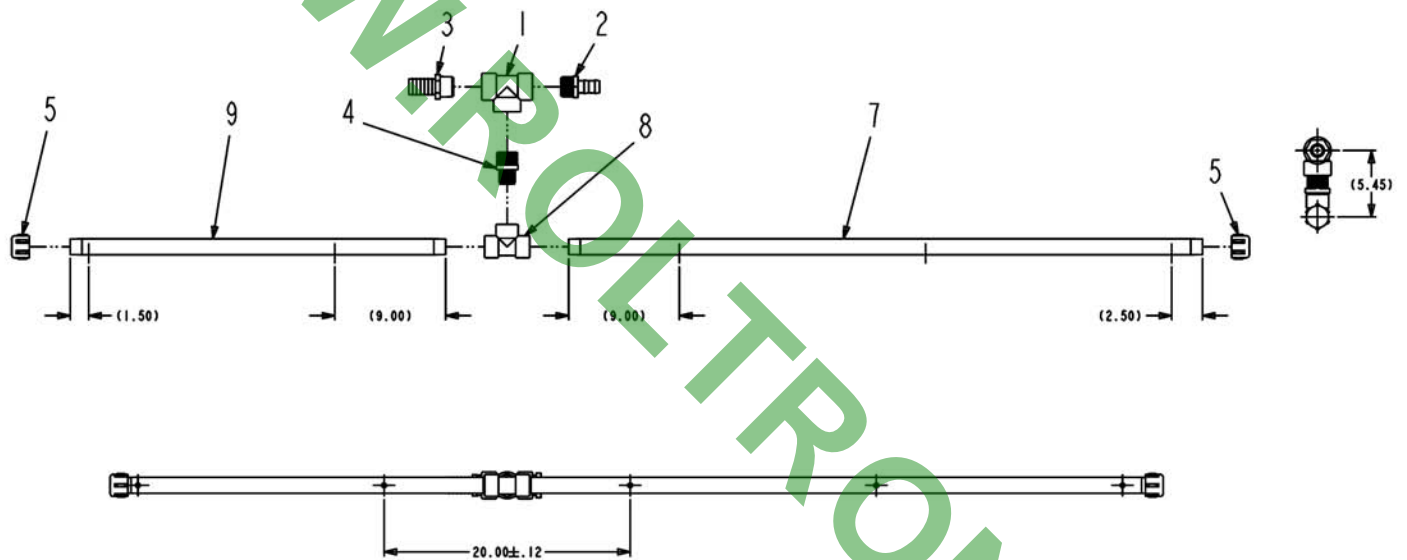


ITEM	PART #	QTY	DESCRIPTION	COMMENTS
1	AG027275	1	NUT,NY-LOCK 1/4-20 SS HX (P)	
2	AG231204	1	BOLT-U .31-18X1.88X2.63	[A]
3	AG234373	1	BRACKET SHORT STANDOFF	
4	AG515121	2	WASHER 0.25 FL SS REG	
5	AG516403	2	NUT 0.31-18NC HEX ESNA SS	
6	AG523412	1	CLAMP-1.62 DIA,COATED HOSE	
7	AG562064	1	BOLT 0.25-20NCX 1.00 S.S. HHD	[B]
8	AG562074	2	WASHER FL 0.31 SS REG	
	FOOTNOTE [A]		WASHER AG562074, NUT AG516403	
	FOOTNOTE [B]		STAINLESS STEEL	

WWW.ROLTRONIK.PL

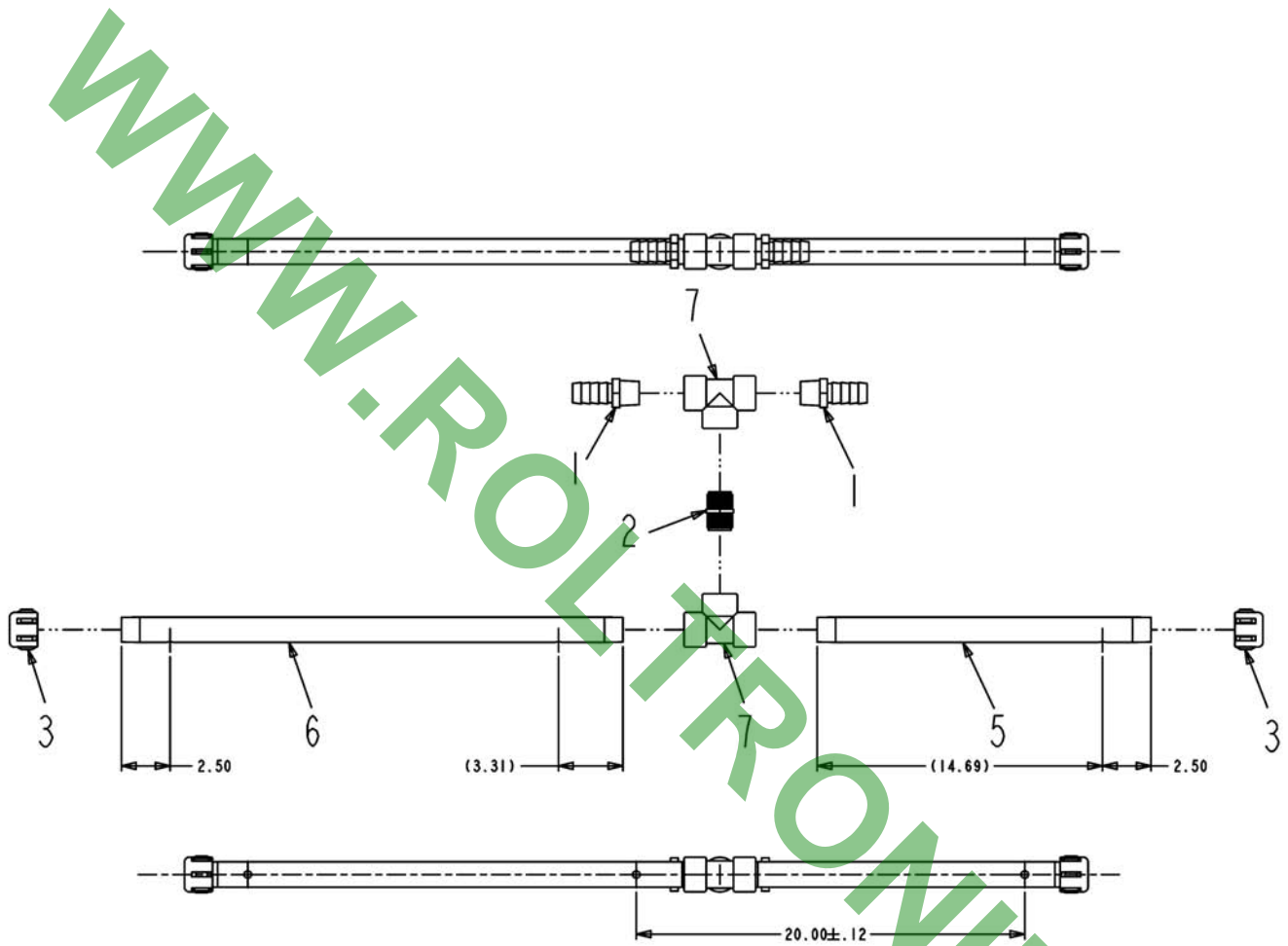


ITEM	PART #	QTY	DESCRIPTION	COMMENTS
1	AG027273	1	SCREW 10-24X 1.25 PHD PHILSS(P)	
2	AG027274	1	NUT 10-24NCSS LGT HX NY INS(P)	
3	AG027275	2	NUT,NY-LOCK 1/4-20 SS HX (P)	
4	AG231204	1	BOLT-U .31-18X1.88X2.63	[A]
5	AG234375	1	BRACKET LONG STANDOFF	
6	AG515121	4	WASHER 0.25 FL SS REG	
7	AG516403	2	NUT 0.31-18NC HEX ESNA SS	
8	AG519749	1	CLAMP 1.00 IPS POLY	[B]
9	AG523412	2	CLAMP-1.62 DIA,COATED HOSE	
10	AG562064	2	BOLT 0.25-20NCX 1.00 S.S. HDD	[C]
11	AG562074	2	WASHER FL 0.31 SS REG	
12	AG562082	1	WASHER #10 FL SS SAE	
	FOOTNOTE [A]		WASHER AG562074, NUT AG516403	
	FOOTNOTE [B]		SCREWS - AG027273, WASHERS - AG562082	
	FOOTNOTE [C]		STAINLESS STEEL	



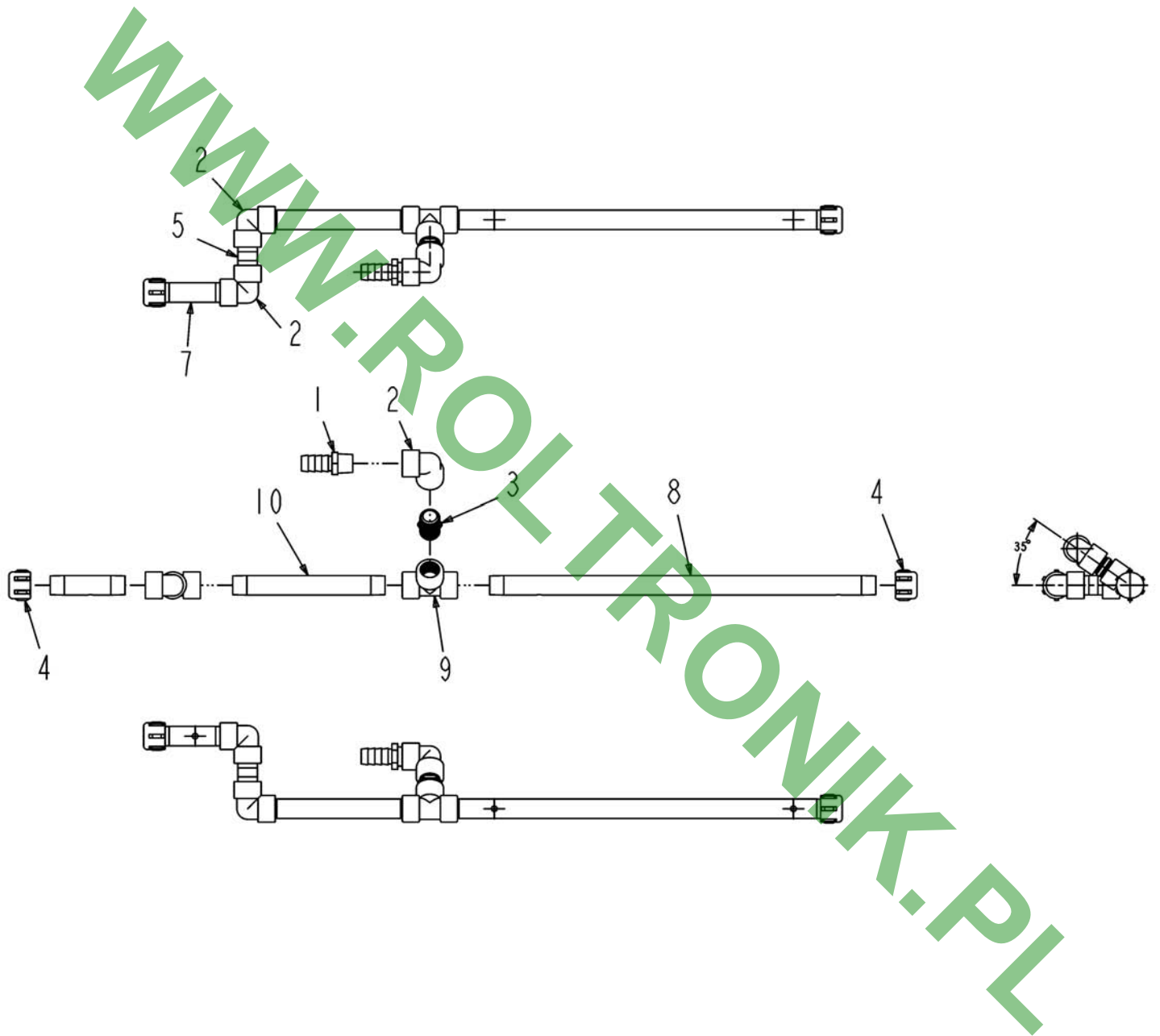
ITEM	PART #	QTY	DESCRIPTION	COMMENTS
1	AG051127	1	ELBOW-PIPE,1.00FNPT,90D,PP	
2	AG051153	1	NIPPLE-PIPE,1.00NPTXCLS,PP	
3	AG051183	1	BARB-HOSE,1.00MNPTX1.25BARB,PP	
4	AG051536	2	CAP-PIPE,1.00NPT PP	
5	AG129187	AR	PIPE SEALANT-POLY SEAL	
6	AG239721	2	TUBE-51.50,POLY	
7	AG516405	1	TEE,PIPE,1.00FNPT,PP	

WWW.ROLTRONIK.PL



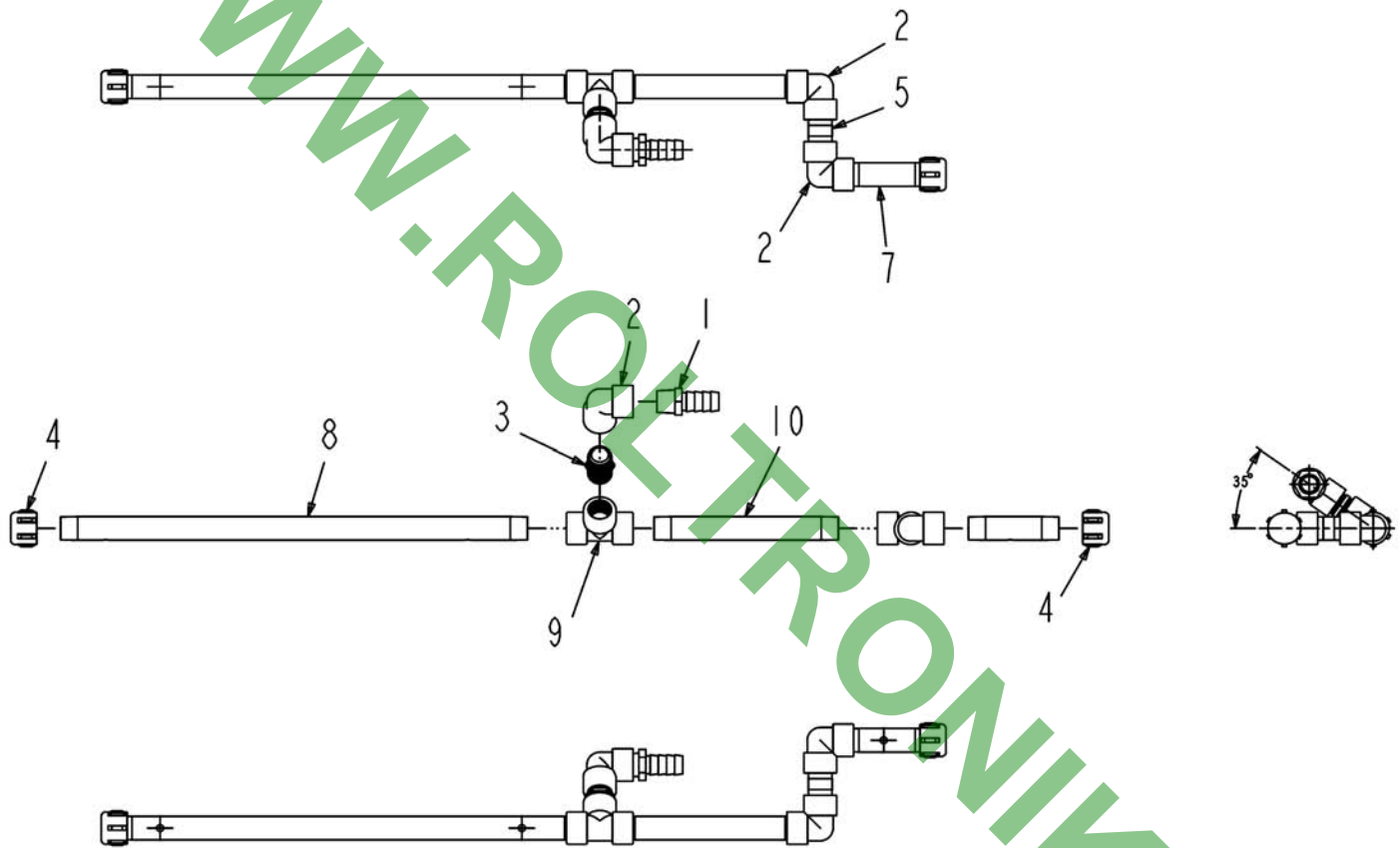
ITEM	PART #	QTY	DESCRIPTION	COMMENTS
1	AG051059	2	BARB-HOSE,1.00MNPTX1.00BARB,PP	
2	AG051153	1	NIPPLE-PIPE,1.00NPTXCLS,PP	
3	AG051536	2	CAP-PIPE,1.00NPT PP	
4	AG129187	AR	PIPE SEALANT-POLY SEAL	
5	AG239722	1	TUBE-17.19,POLY	
6	AG239723	1	TUBE-25.81,POLY	
7	AG516405	2	TEE,PIPE,1.00FNPT,PP	

WWW.ROLTRONIK.PL



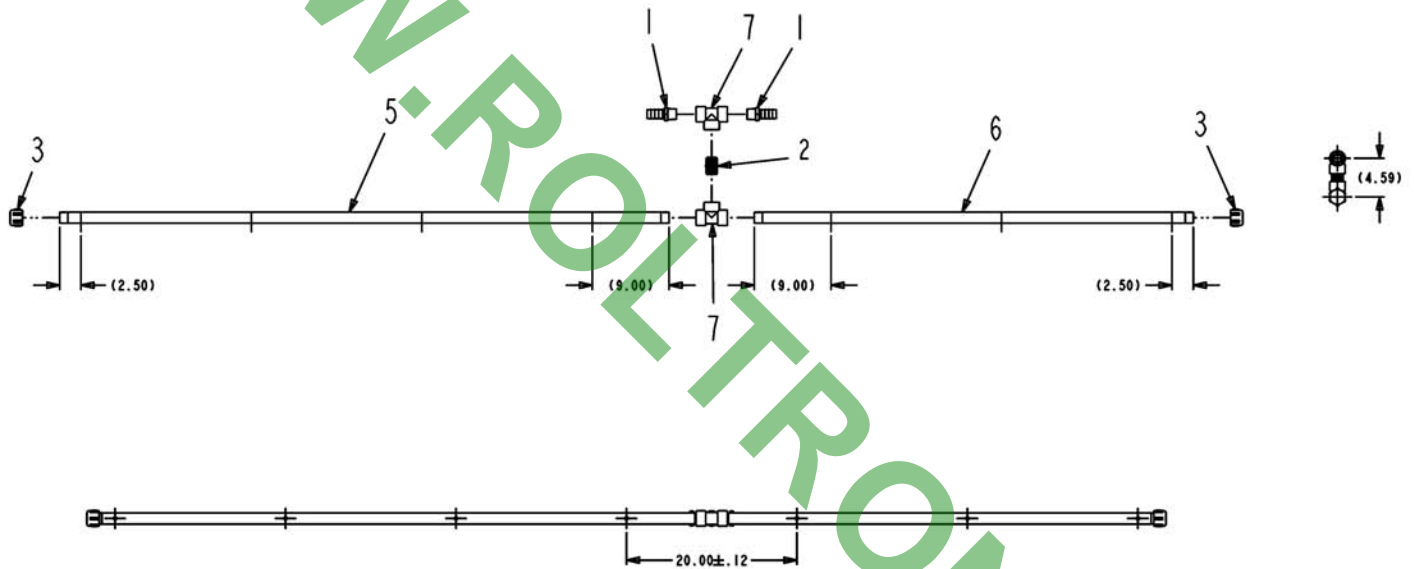
ITEM	PART #	QTY	DESCRIPTION	COMMENTS
1	AG051059	1	BARB-HOSE,1.00MNPTX1.00BARB,PP	
2	AG051127	3	ELBOW-PIPE,1.00FNPT,90D,PP	
3	AG051153	1	NIPPLE-PIPE,1.00NPTXCLS,PP	
4	AG051536	2	CAP-PIPE,1.00NPT PP	
5	AG051904	1	NIPPLE 1.00X2.50 304SS	
6	AG129187	AR	PIPE SEALANT-POLY SEAL	
7	AG234787	1	TUBE-POLY 5.00 X 10.00 CTRS	
8	AG239723	1	TUBE-25.81,POLY	
9	AG516405	1	TEE,PIPE,1.00FNPT,PP	
10	506807D1	1	TUBE-POLY,10.19,NO HOLES	

WWW.ROLTRONIK.PL



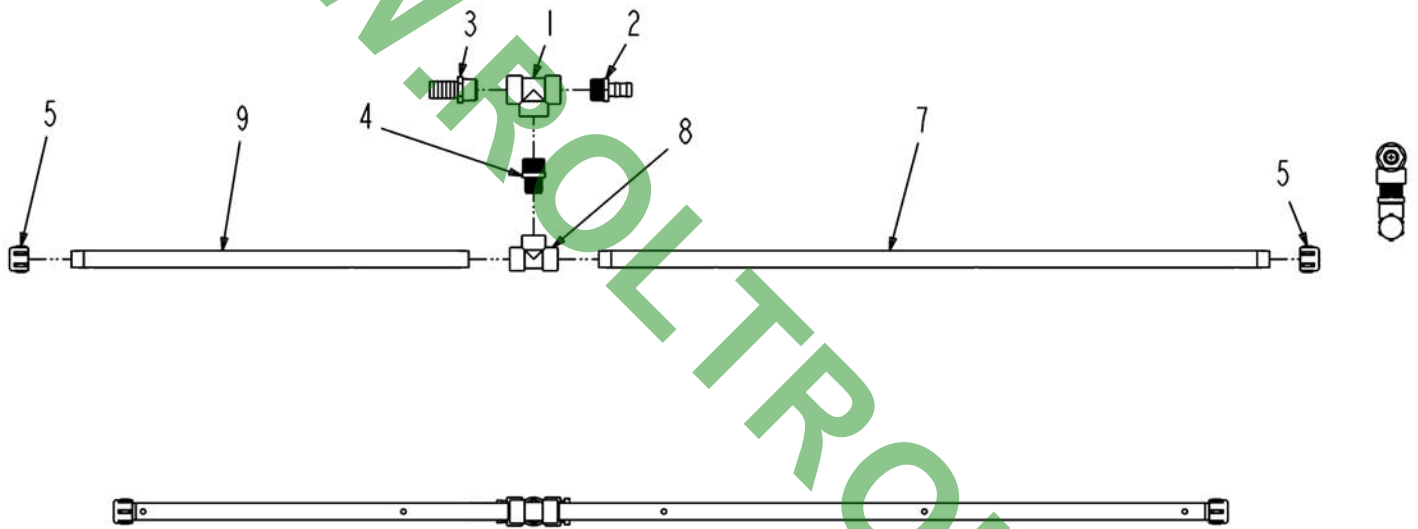
ITEM	PART #	QTY	DESCRIPTION	COMMENTS
1	AG051059	1	BARB-HOSE,1.00MNPTX1.00BARB,PP	
2	AG051127	3	ELBOW-PIPE,1.00FNPT,90D,PP	
3	AG051153	1	NIPPLE-PIPE,1.00NPTXCLS,PP	
4	AG051536	2	CAP-PIPE,1.00NPT PP	
5	AG051904	1	NIPPLE 1.00X2.50 304SS	
6	AG129187	AR	PIPE SEALANT-POLY SEAL	
7	AG234787	1	TUBE-POLY 5.00 X 10.00 CTRS	
8	AG239723	1	TUBE-25.81,POLY	
9	AG516405	1	TEE,PIPE,1.00FNPT,PP	
10	506807D1	1	TUBE-POLY,10.19,NO HOLES	

WWW.ROLTRONIK.PL



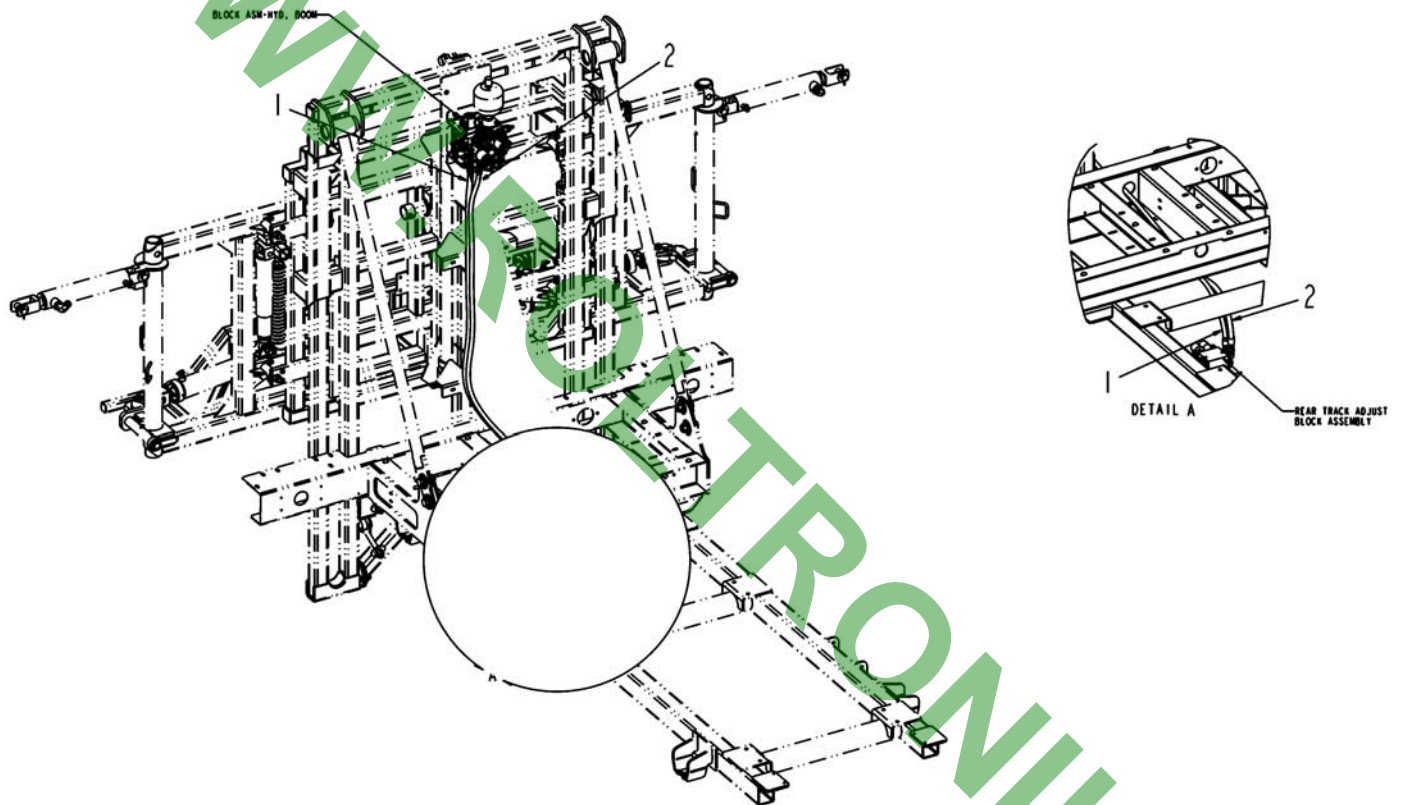
ITEM	PART #	QTY	DESCRIPTION	COMMENTS
1	AG051059	2	BARB-HOSE,1.00MNPTX1.00BARB,PP	
2	AG051153	1	NIPPLE-PIPE,1.00NPTXCLS,PP	
3	AG051536	2	CAP-PIPE,1.00NPT PP	
4	AG129187	AR	PIPE SEALANT-POLY SEAL	
5	AG234462	1	TUBE 71.50 BOOM	
6	AG239721	1	TUBE-51.50,POLY	
7	AG516405	2	TEE,PIPE,1.00FNPT,PP	

WWW.ROLTRONIK.PL



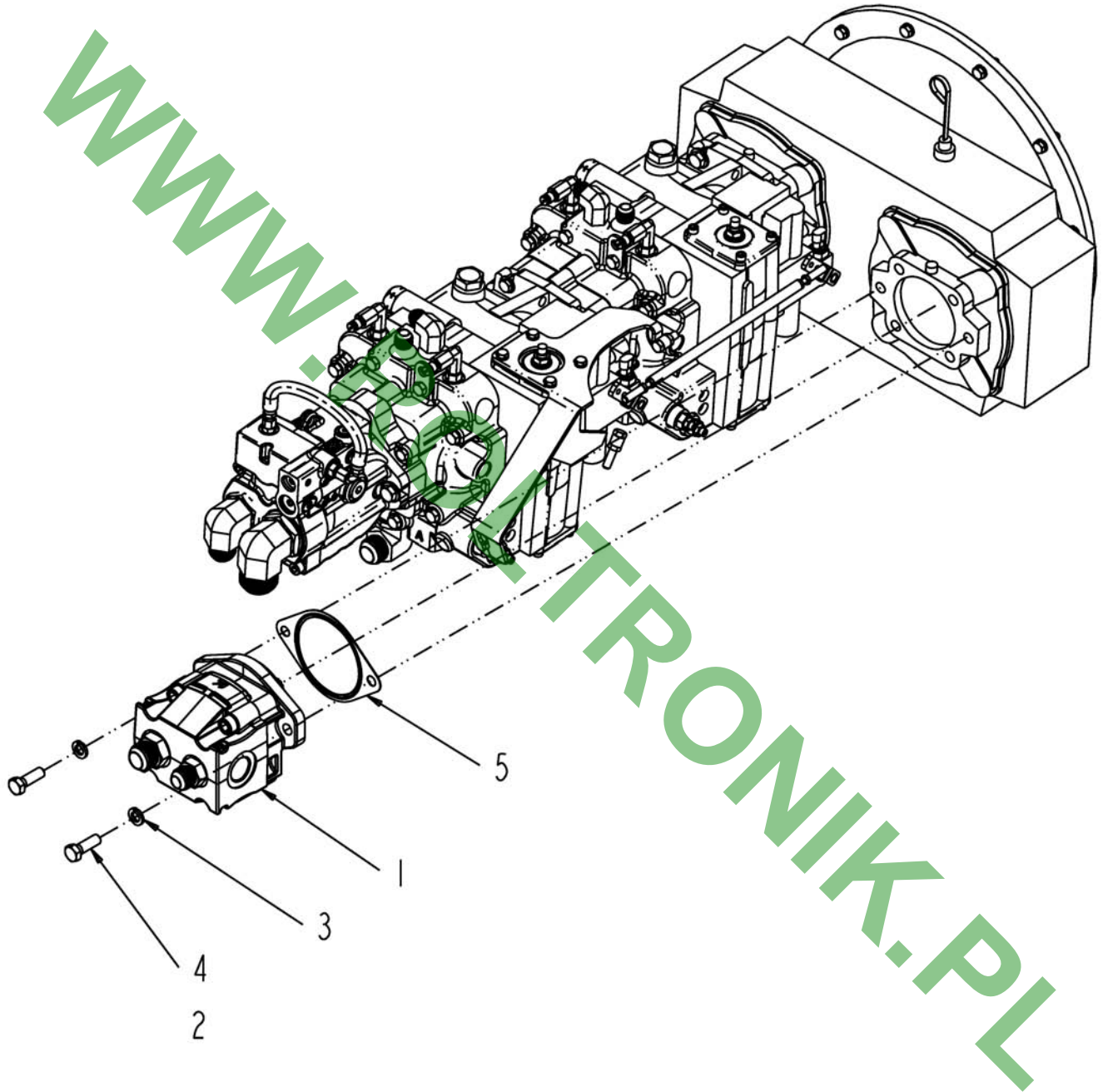
ITEM	PART #	QTY	DESCRIPTION	COMMENTS
1	AG051162	1	TEE,PIPE,1.25FNPT,PP	
2	AG051185	1	BARB-HOSE,1.25MNPTX1.00BARB,PP	
3	AG051186	1	BARB-HOSE,1.25MNPTX1.25BARB,PP	
4	AG051437	1	NIPPLE RED 1.25NPTX1.00NPT PP	[A]
5	AG051536	2	CAP-PIPE,1.00NPT PP	
6	AG129187	AR	PIPE SEALANT-POLY SEAL	
7	AG239721	1	TUBE-51.50,POLY	
8	AG516405	1	TEE,PIPE,1.00FNPT,PP	
9	506808D1	1	TUBE-POLY,30.50,20IN CTR	
	FOOTNOTE [A]		REPLACED BY AG050280	

WWW.ROLTRONIK.PL



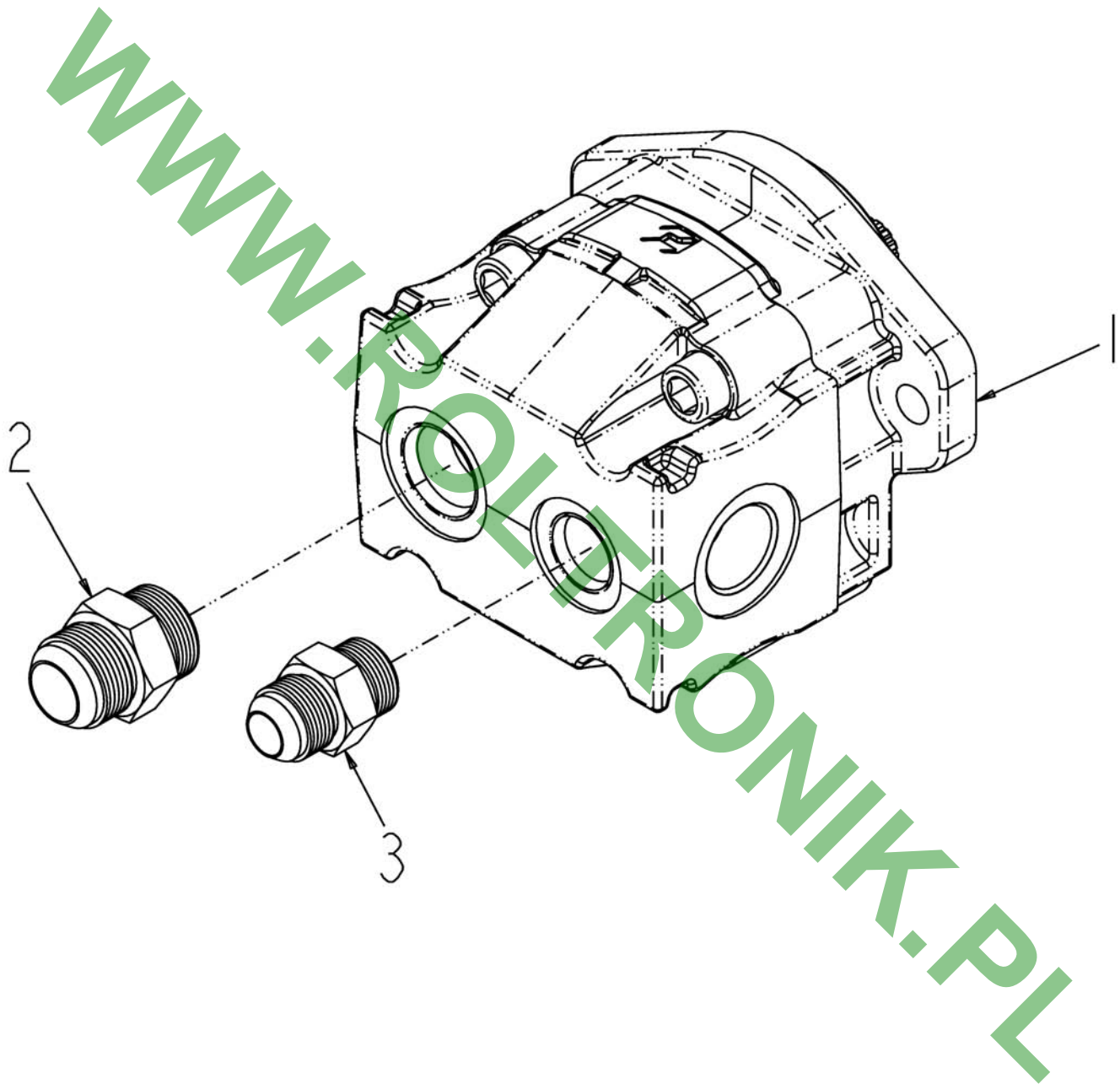
ITEM	PART #	QTY	DESCRIPTION	COMMENTS
1	AG122157	-	HOSE ASM-6X100.00 FJS/FJS	
2	AG122191	-	HOSE ASM-8X100.00 FJS/FJS	

WWW.ROLTRONIK.PL



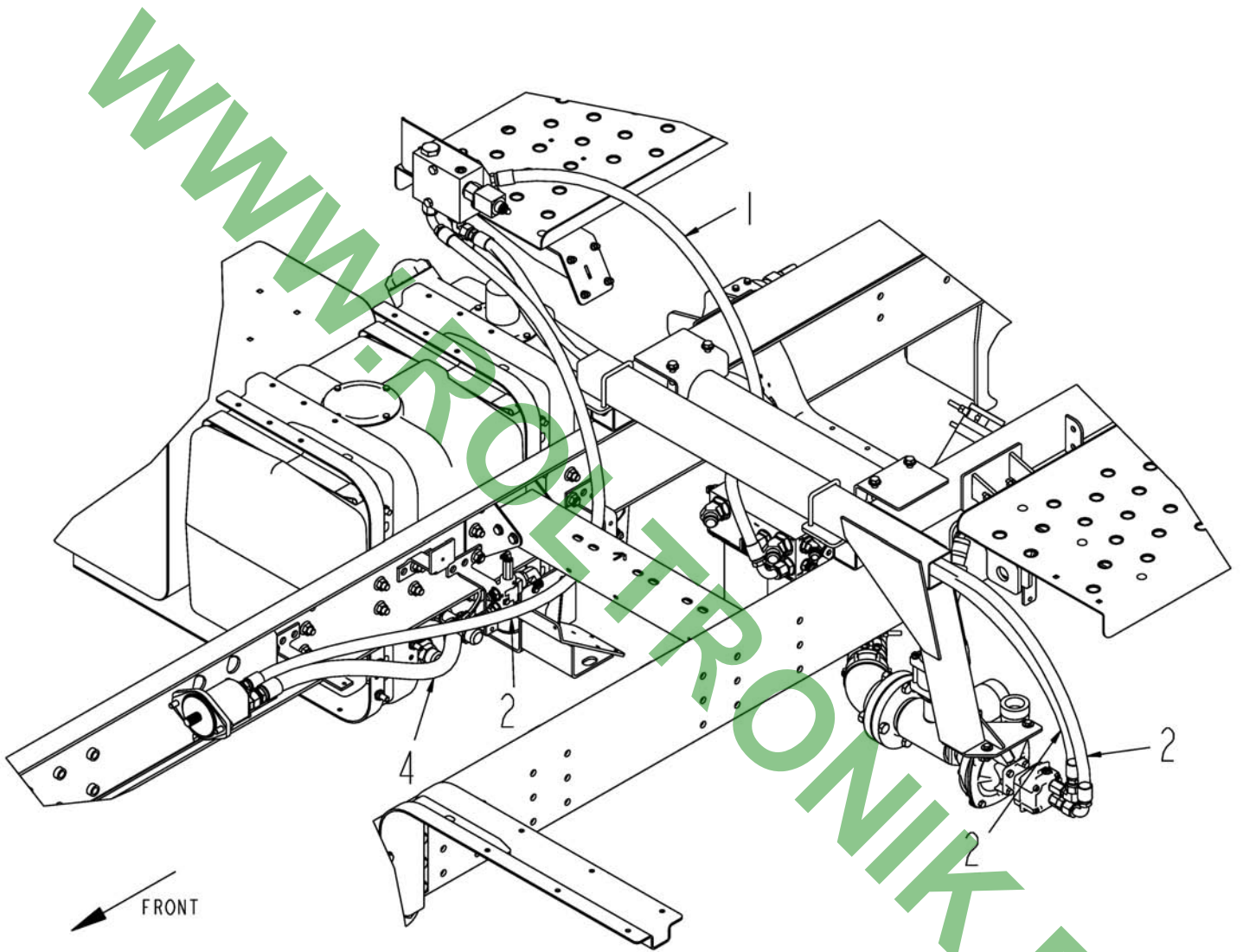
ITEM	PART #	QTY	DESCRIPTION	COMMENTS
1	AG123389	1	PUMP ASM-HYD,SYS,HV,1264	SEE PAGE 5-3
2	AG512885	AR	LOCTITE ADHESIVE SEALANT BLUE	
3	AG550264	2	WASHER 0.50 LK ZN REG	
4	AG550817	2	BOLT 0.50-13NCX 1.50 G5 ZN HHD	
5	AG714101	1	GASKET PUMP	[A]
	FOOTNOTE [A]		COVER PLATE - AG106560	

WWW.ROLTRONIK.PL



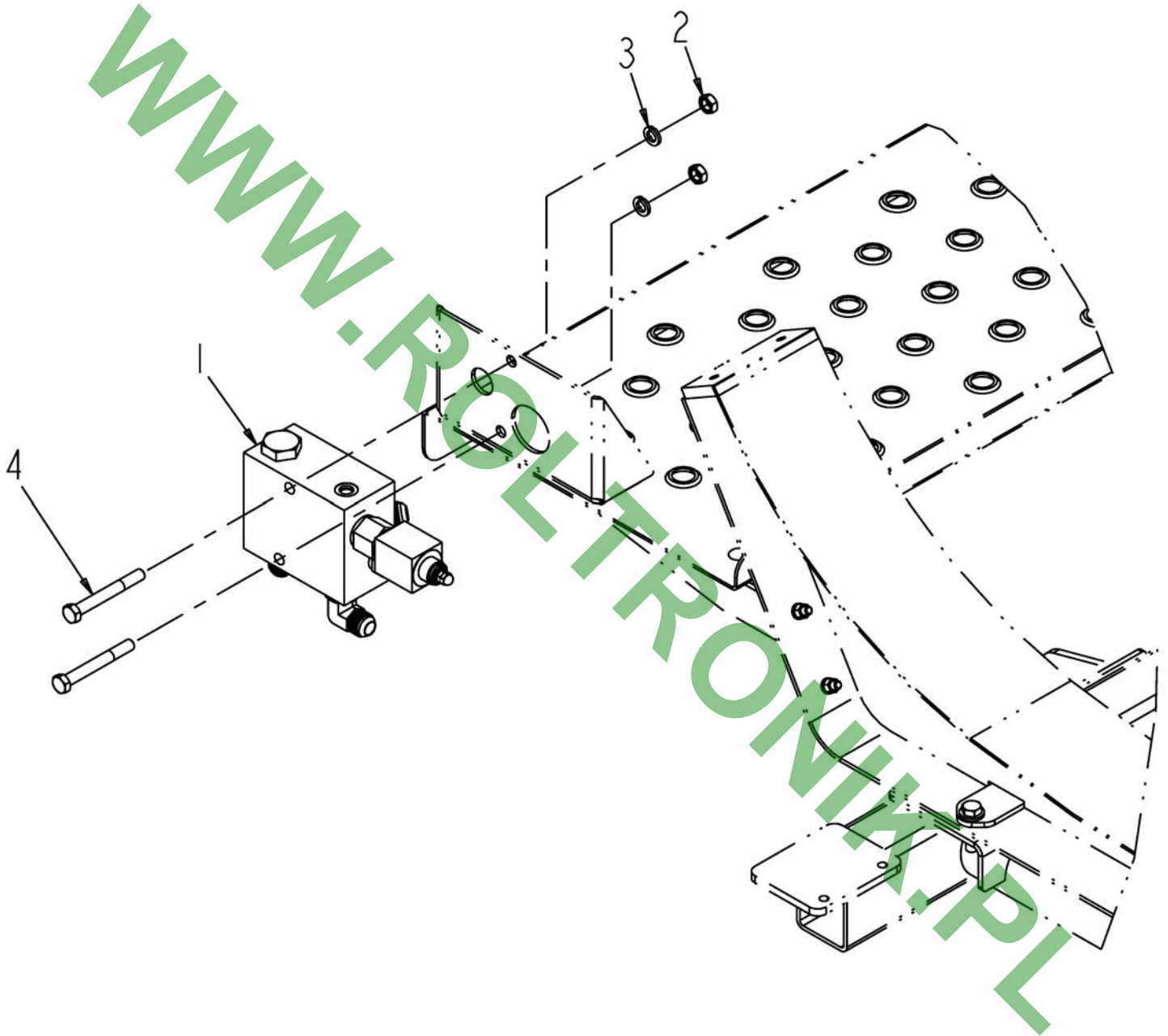
ITEM	PART #	QTY	DESCRIPTION	COMMENTS
1	AG123074	1	PUMP-HYD,1.87CIR,.88 13T	SEE PAGE 5-37
2	AG558877	1	ADAP STR 1.00MO-R X 1.00MJIC	[A]
3	AG561455	1	ADAP STR 0.75MO-R X 0.75MJIC	[B]
	FOOTNOTE [A]		O-RING - 714365, POLY O-RING AG714389	
	FOOTNOTE [B]		O-RING AG714806 ASSEMBLY USED THIS ADAPTOR THRU	
	FOOTNOTE [B]		SERIAL NUMBER AS-987, AS-988. NEW CHECK VALVE	
	FOOTNOTE [B]		AG522307 IS USED AFTER	

WWW.ROLTRONIK.PL



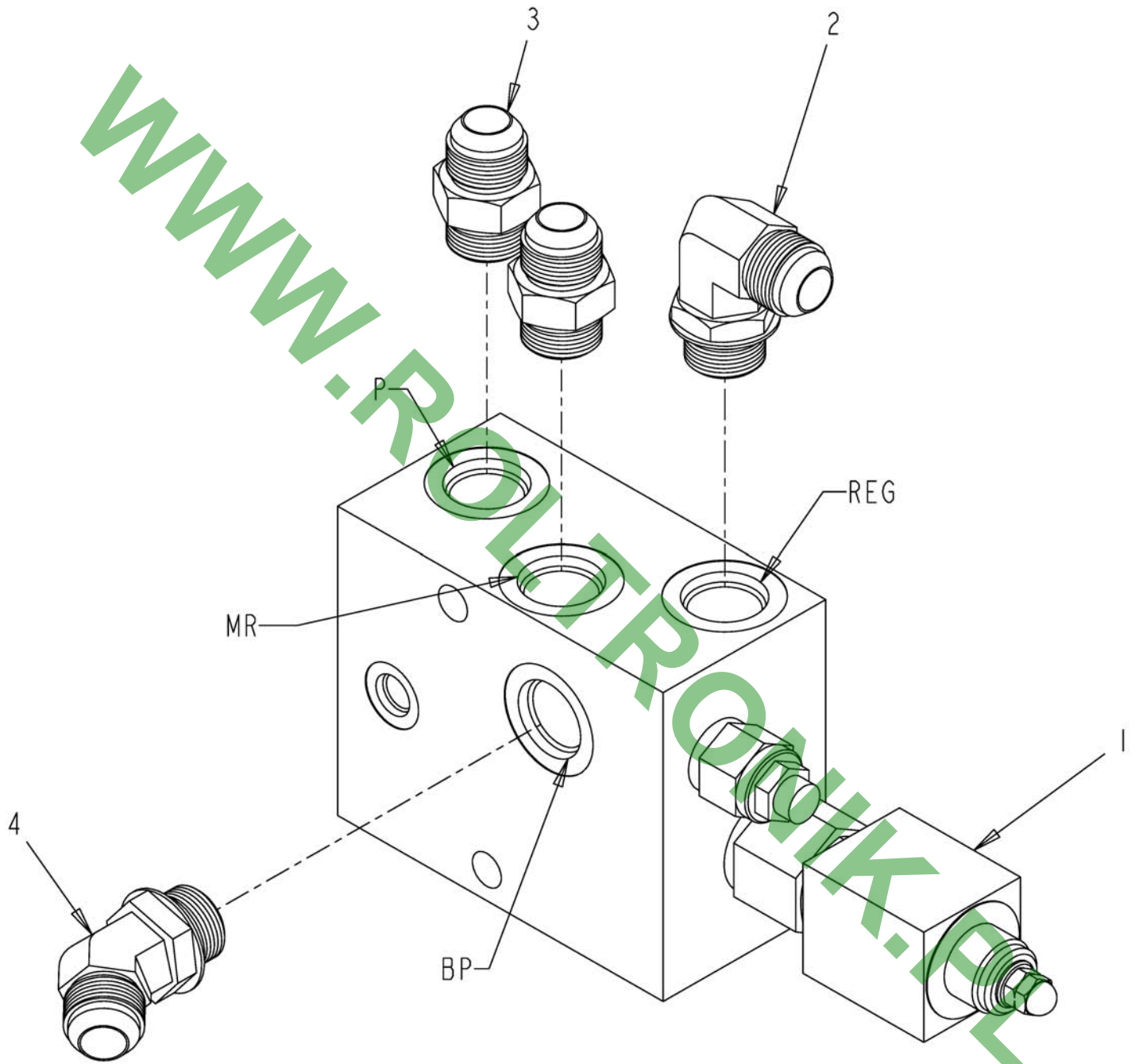
ITEM	PART #	QTY	DESCRIPTION	COMMENTS
1	AG122159	-	HOSE ASM-12X64.00 FJS/FJS90	
2	AG122160	-	HOSE ASM-12X99.00 FJS/FJS90	
3	AG123435	1	KIT-HOSE,LIQ SYS,1264	
4	AG124298	-	HOSE ASM-16X45.00 FJS/FJS45	

WWW.ROLTRONIK.PL



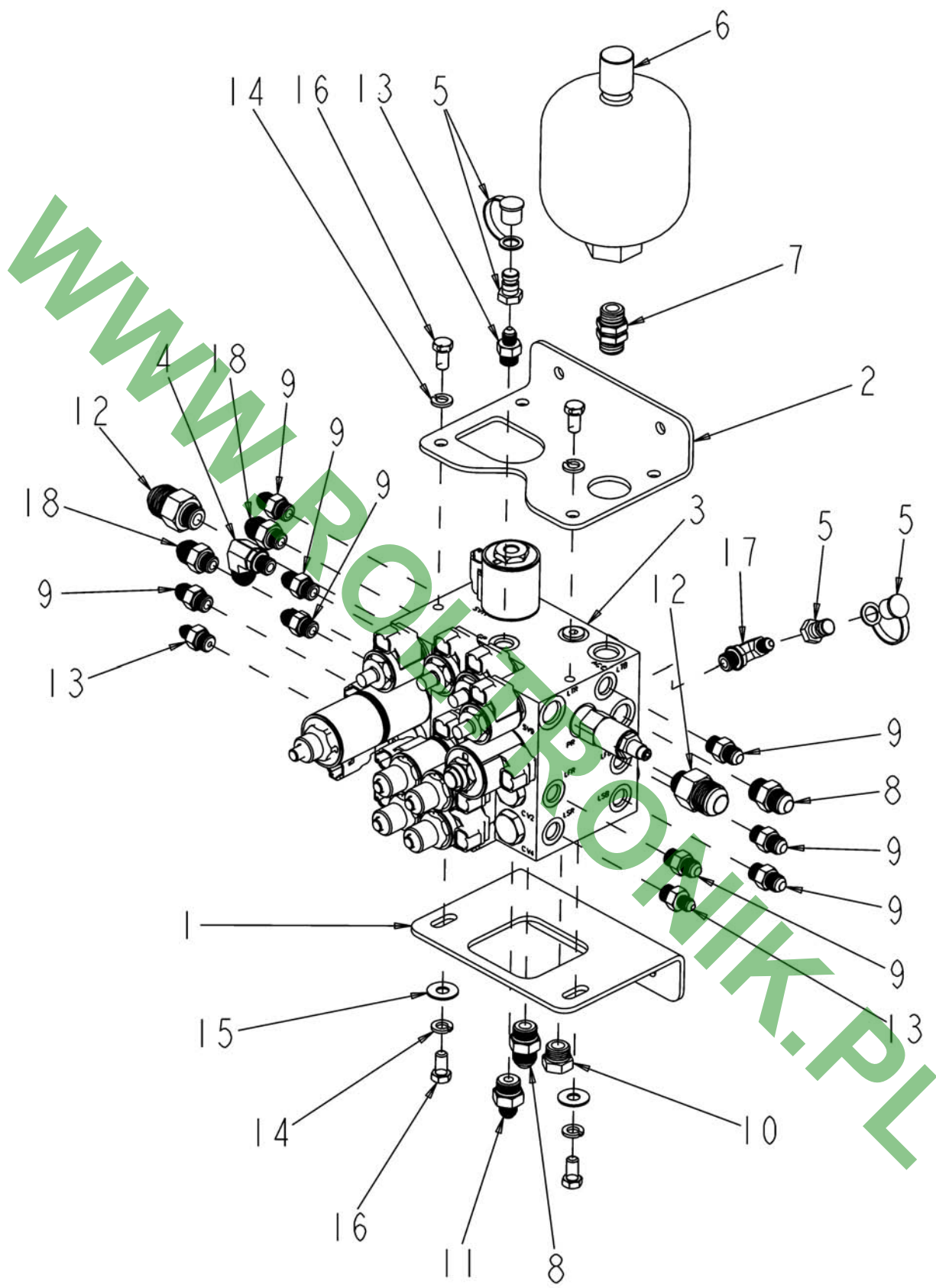
ITEM	PART #	QTY	DESCRIPTION	COMMENTS
1	AG262423	1	FTG ASM-ORIENT,PWM VALVE,20GPM	SEE PAGE 5-6
2	AG562045	2	NUT 0.50-13NC HEX SS REG	
3	AG562053	2	WASHER LK 0.50 SS REG	
4	AG562621	2	BOLT 0.50-13NCX 4.00 SS HHD	

WWW.ROLTRONIK.PL

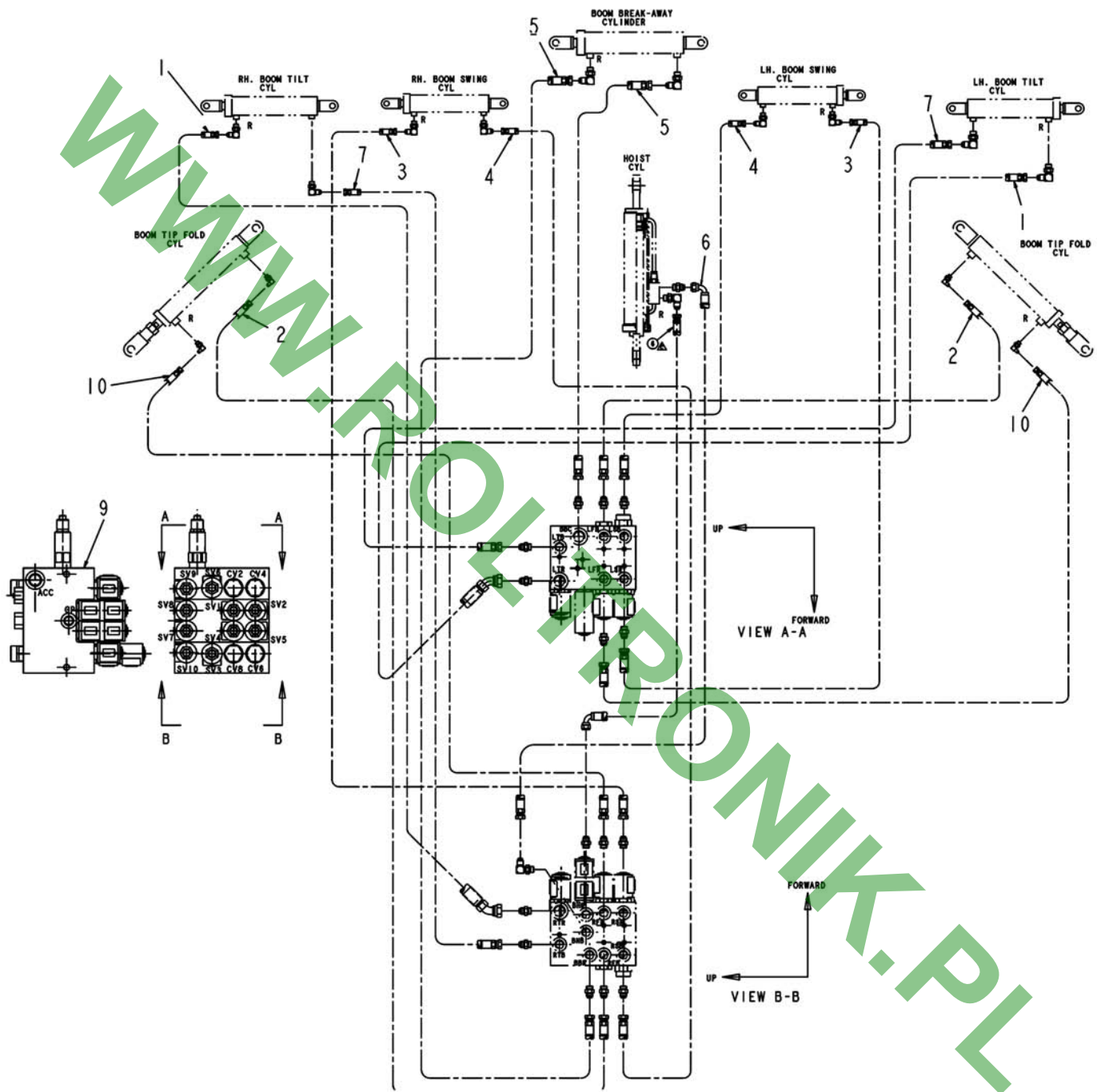


ITEM	PART #	QTY	DESCRIPTION	COMMENTS
1	AG424319	1	VALVE-HYD,PWM,LIQ SYS,20 GPM	SEE PAGE 5-42
2	AG554510	1	ELBOW 90D 0.75MO-R X 0.75MJIC	[A]
3	AG561455	2	ADAP STR 0.75MO-R X 0.75MJIC	[B]
4	AG709257	1	ELBOW 45D 0.75MO-R X 0.75MJIC	
	FOOTNOTE [A]		AG562511-O-RING	
	FOOTNOTE [B]		O-RING AG714806 ASSEMBLY USED THIS ADAPTOR THRU	
	FOOTNOTE [B]		SERIAL NUMBER AS-987, AS-988. NEW CHECK VALVE	
	FOOTNOTE [B]		AG522307 IS USED AFTER	

WWW.ROLTRONIK.PL

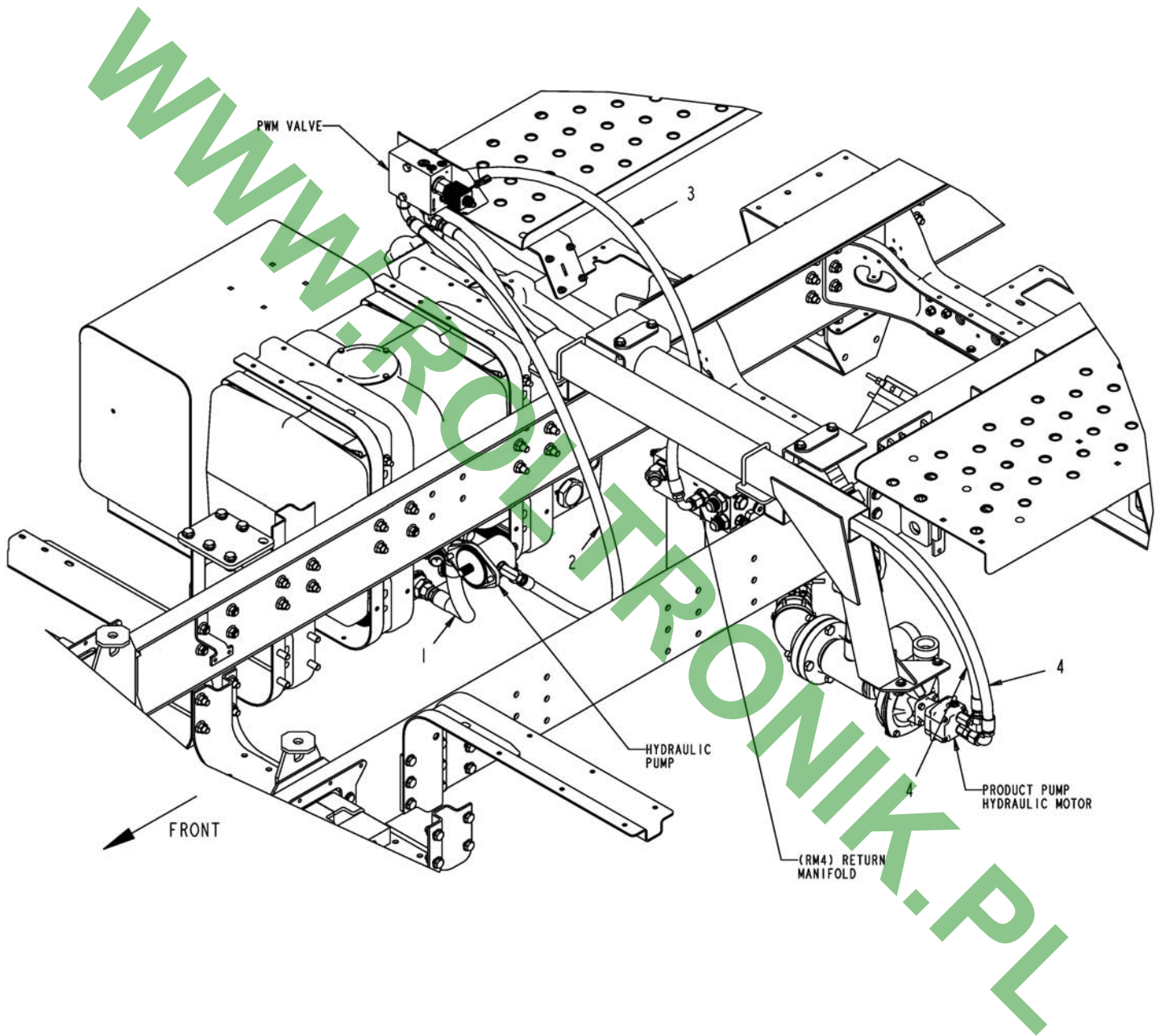


ITEM	PART #	QTY	DESCRIPTION	COMMENTS
1	AG327803	1	BRKT-MTG,LOWER,VALVE BLOCK	
2	AG327804	1	BRKT-MTG,UPPER,BLOCK,VALVE	
3	AG424252	1	VALVE-HYD,7 BANK,W/BREAKAWAY	SEE PAGE 5-39
4	AG514800	1	ELBOW-90D,-6MORX-8 MJIC	[A]
5	AG519113	2	TUBE END NIPPLE -4	
6	AG523544	1	ACCUM-HYD,DIAPH,45CU IN(MV)	
7	AG524378	1	ADPTR-STR,.50MO-R X .50MO-R	SEE PAGE 5-40
8	AG551139	2	ADAP STR 0.50MO-R X 0.50 MJIC	[B]
9	AG560693	8	ADAP STR 0.37MO-R X 0.37MJIC	[C]
10	AG560899	1	PLUG 0.50MO-R HEX	
11	AG561308	1	ADAP STR 0.50MO-R X 0.37MJIC	[D]
12	AG561339	2	ADAP STR 0.50MO-R X 0.75MJIC	[E]
13	AG561744	3	ADAP STR 0.37MO-R X 0.25MJIC	[F]
14	AG562050	4	WASHER LK 0.37 SS REG	
15	AG562073	2	WASHER FL 0.37 SS REG	
16	AG562120	4	BOLT 0.37-16NCX 0.75 S.S. HDD	
17	AG562354	1	ELBOW 90D 0.37MO-R X 0.25MJIC	[G]
18	AG562372	2	ADAP STR 0.37MO-R X 0.50MJIC	
	FOOTNOTE [A]		AG713166 - ORING	
	FOOTNOTE [B]		AG713670-O-RING	
	FOOTNOTE [C]		AG713166 O-RING	
	FOOTNOTE [D]		AG713670 O-RING, USED FOR THE ADAPTION OF AG515950 TO A AG523053	
	FOOTNOTE [E]		AG713670 O-RING	
	FOOTNOTE [F]		AG713166 O-RING	
	FOOTNOTE [G]		AG713166 O-RING	



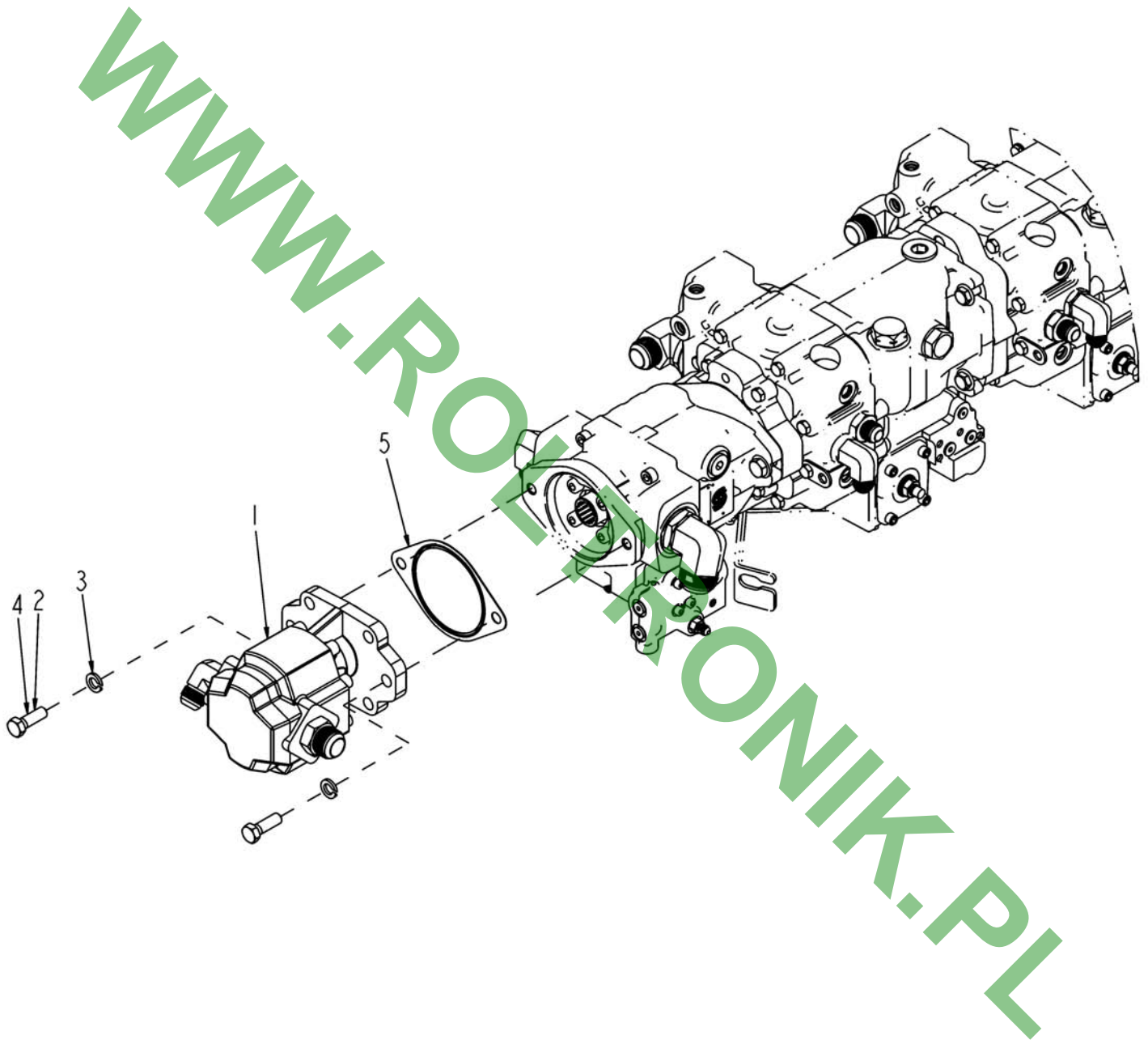
ITEM	PART #	QTY	DESCRIPTION	COMMENTS
1	AG262368	-	HOSE ASM PARF-12X132 FJS/FJS45	
2	AG236593	-	HOSE ASM -4X399.00 FJS/FJS	
3	AG220023	-	HOSE ASM -4 158.00 R1AT	
4	AG262366	-	HOSE ASM -4X168.00 FJS/FJS	
5	AG262367	-	HOSE ASM -8X200.00 FJS/FJS	
6	AG239298	-	HOSE ASM -8X60 FJS/FJS90	
7	AG262365	-	HOSE ASM -6X126.00 FJS/FJS	
8	AG524041	1	KIT-HOSE,BOOM PLMB	
9	AG327802	-	BLOCK ASM-HYD,BOOM	SEE PAGE 5-7
10	AG236612	-	HOSE ASM -4X417.00 FJS/FJS	

WWW.ROLTRONIK.PL



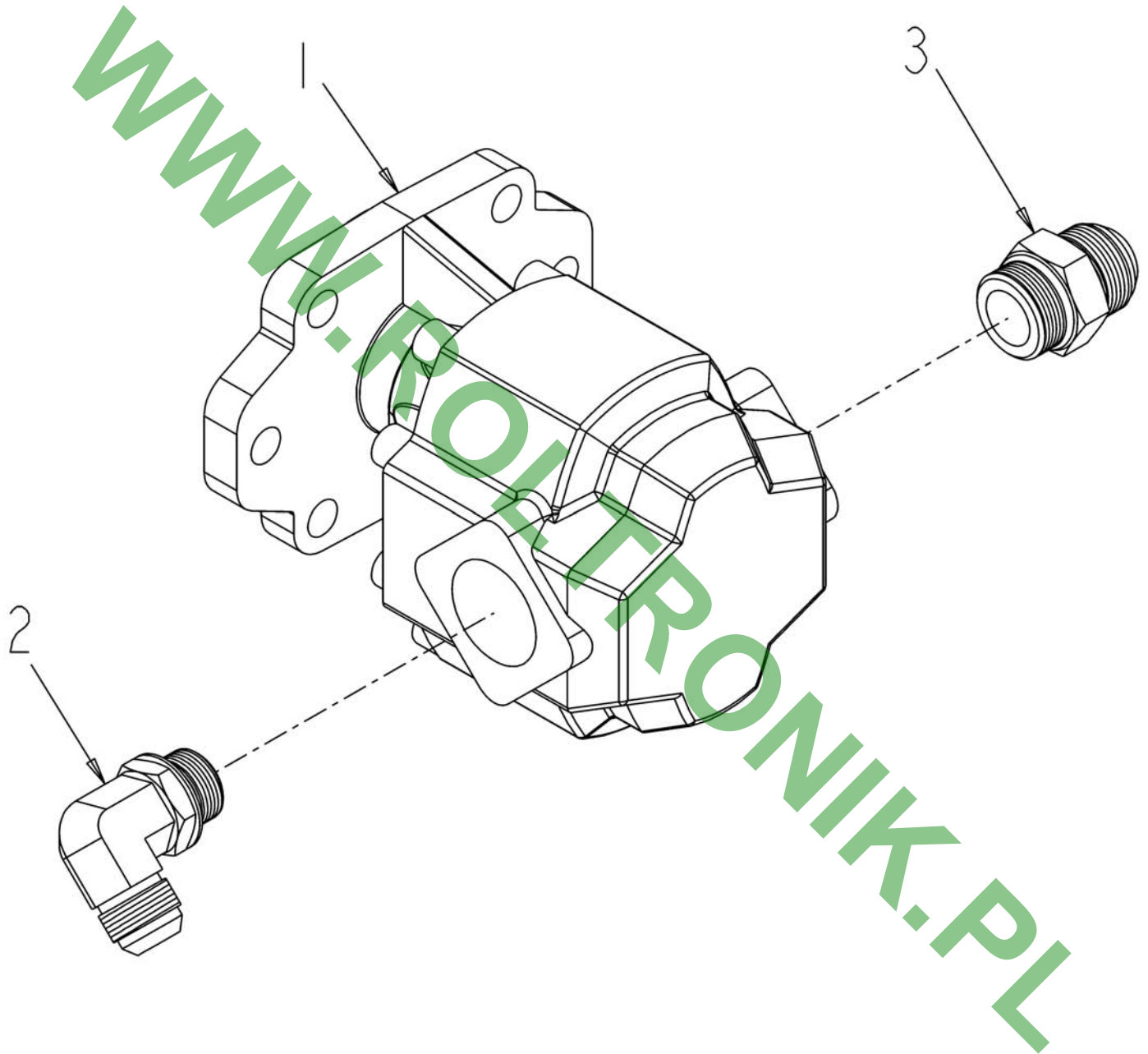
ITEM	PART #	QTY	DESCRIPTION	COMMENTS
1	AG122156	-	HOSE ASM-16X27.00 FJS/FJS90	
2	AG122158	-	HOSE ASM-12X75.00 FJS/FJS90	
3	AG122159	-	HOSE ASM-12X64.00 FJS/FJS90	
4	AG122160	-	HOSE ASM-12X99.00 FJS/FJS90	
5	AG124033	1	KIT-HOSE,LIQ SYS,8/1064	

WWW.ROLTRONIK.PL



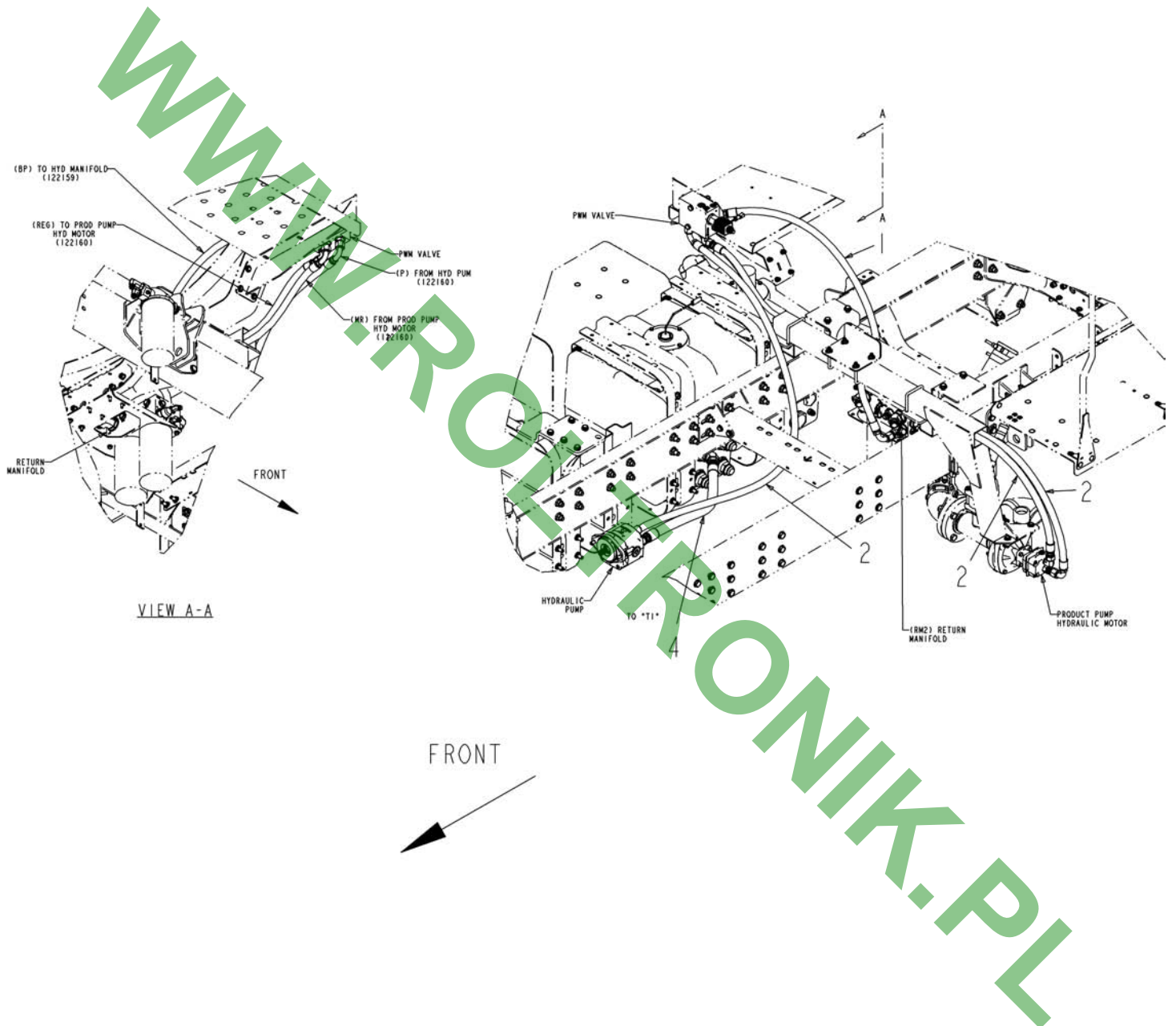
ITEM	PART #	QTY	DESCRIPTION	COMMENTS
1	AG262422	1	PUMP ASM-HYD,SYS,HV	SEE PAGE 5-11
2	AG512885	AR	LOCTITE ADHESIVE SEALANT BLUE	
3	AG550264	2	WASHER 0.50 LK ZN REG	
4	AG550817	2	BOLT 0.50-13NCX 1.50 G5 ZN HHD	
5	AG714101	1	GASKET PUMP	[A]
	FOOTNOTE [A]		COVER PLATE - AG106560	

WWW.ROLTRONIK.PL



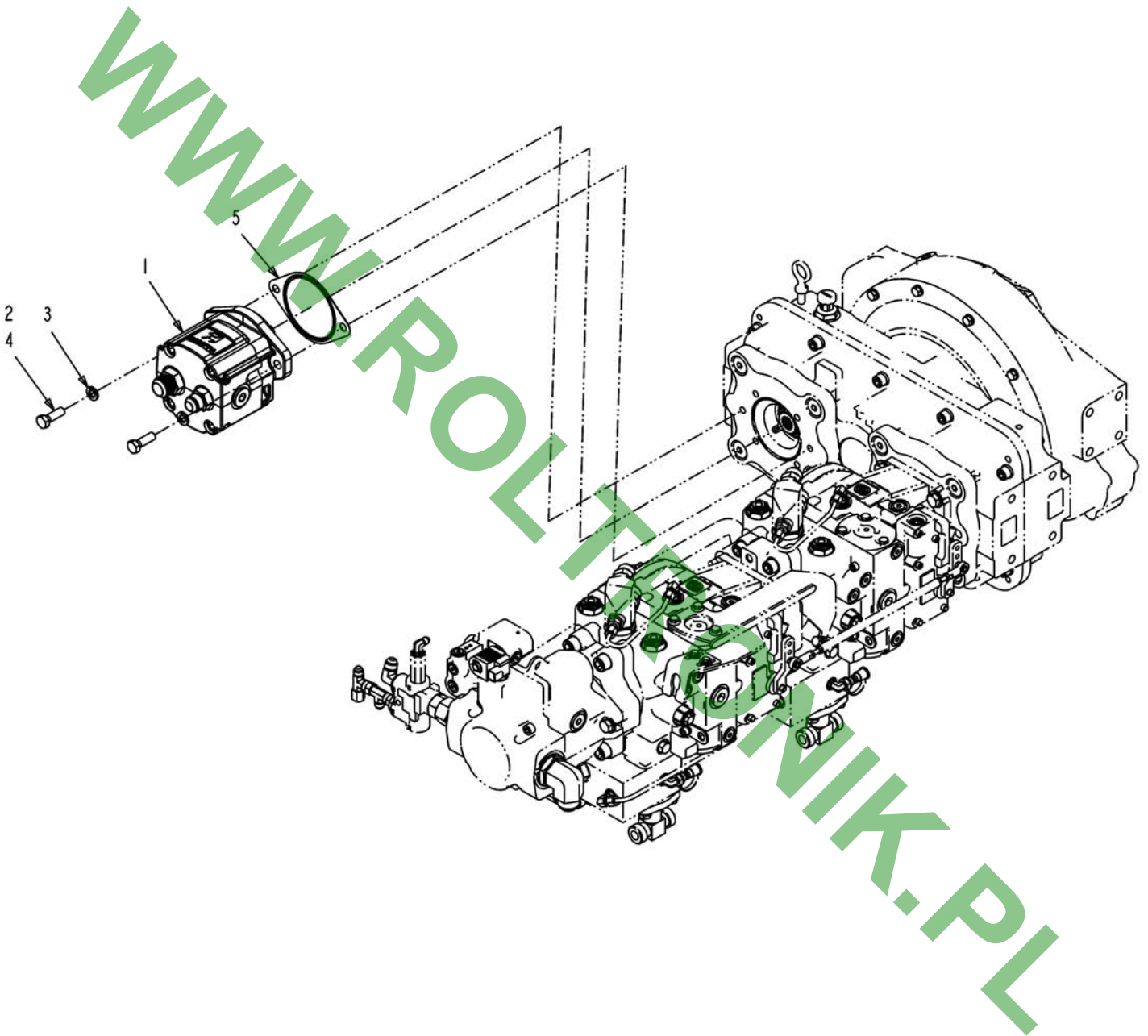
ITEM	PART #	QTY	DESCRIPTION	COMMENTS
1	AG121444	1	PUMP-HYD,2.11CIR,.88 13T	[A]
2	AG554510	1	ELBOW 90D 0.75MO-R X 0.75MJIC	[B]
3	AG558877	1	ADAP STR 1.00MO-R X 1.00MJIC	[C]
	FOOTNOTE [A]		AG726836 FRONT SEAL (2 USED)	
	FOOTNOTE [B]		AG562511-O-RING	
	FOOTNOTE [C]		O-RING - 714365, POLY O-RING AG714389	
	FOOTNOTE:		FOR FRONT SEAL USE AG726836	

WWW.ROLTRONIK.PL



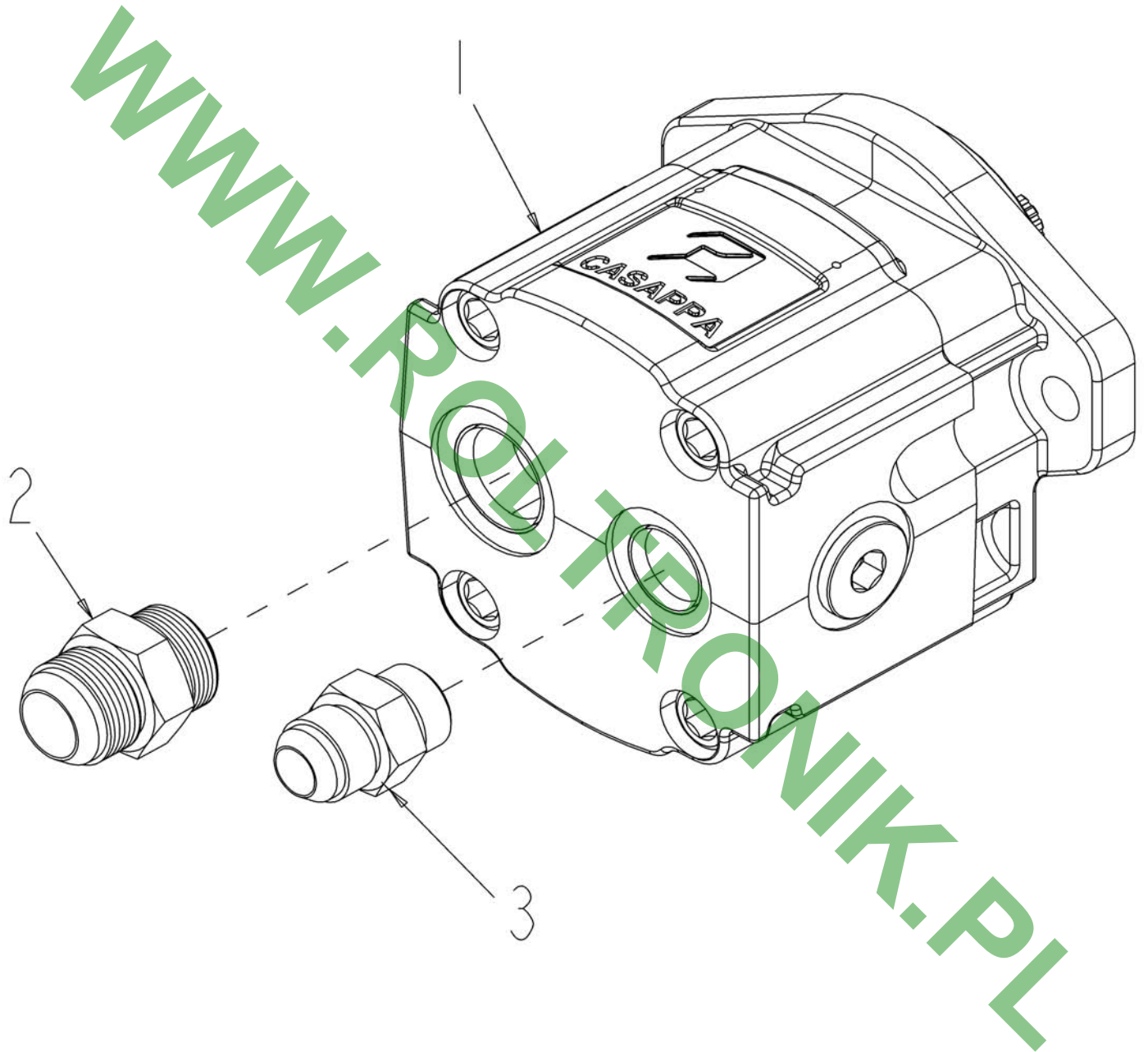
ITEM	PART #	QTY	DESCRIPTION	COMMENTS
1	AG122159	-	HOSE ASM-12X64.00 FJS/FJS90	
2	AG122160	-	HOSE ASM-12X99.00 FJS/FJS90	
3	AG136364	1	KIT-HOSE,LIQ SYS,1074C	
4	503858D1	-	HOSE ASM -16X51.50 FJS/FJS	

WWW.ROLTRONIK.PL



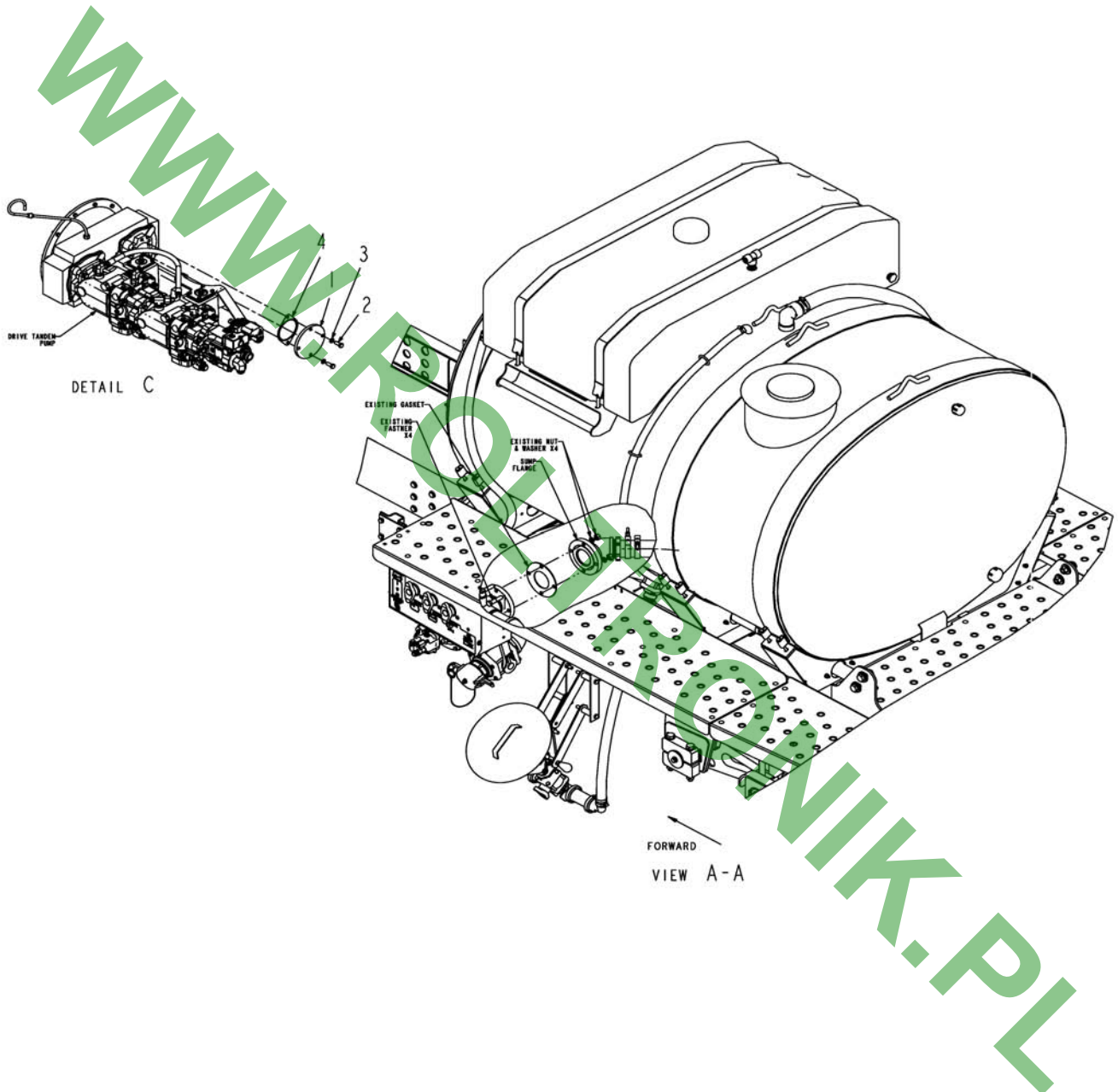
ITEM	PART #	QTY	DESCRIPTION	COMMENTS
1	AG132620	1	PUMP ASM-HYD,2.11CIR,.99 13T	SEE PAGE 5-14
2	AG512885	AR	LOCTITE ADHESIVE SEALANT BLUE	
3	AG550264	2	WASHER 0.50 LK ZN REG	
4	AG550817	2	BOLT 0.50-13NCX 1.50 G5 ZN HHD	
5	AG714101	1	GASKET PUMP	[A]
	FOOTNOTE [A]		COVER PLATE - AG106560	

WWW.ROLTRONIK.PL



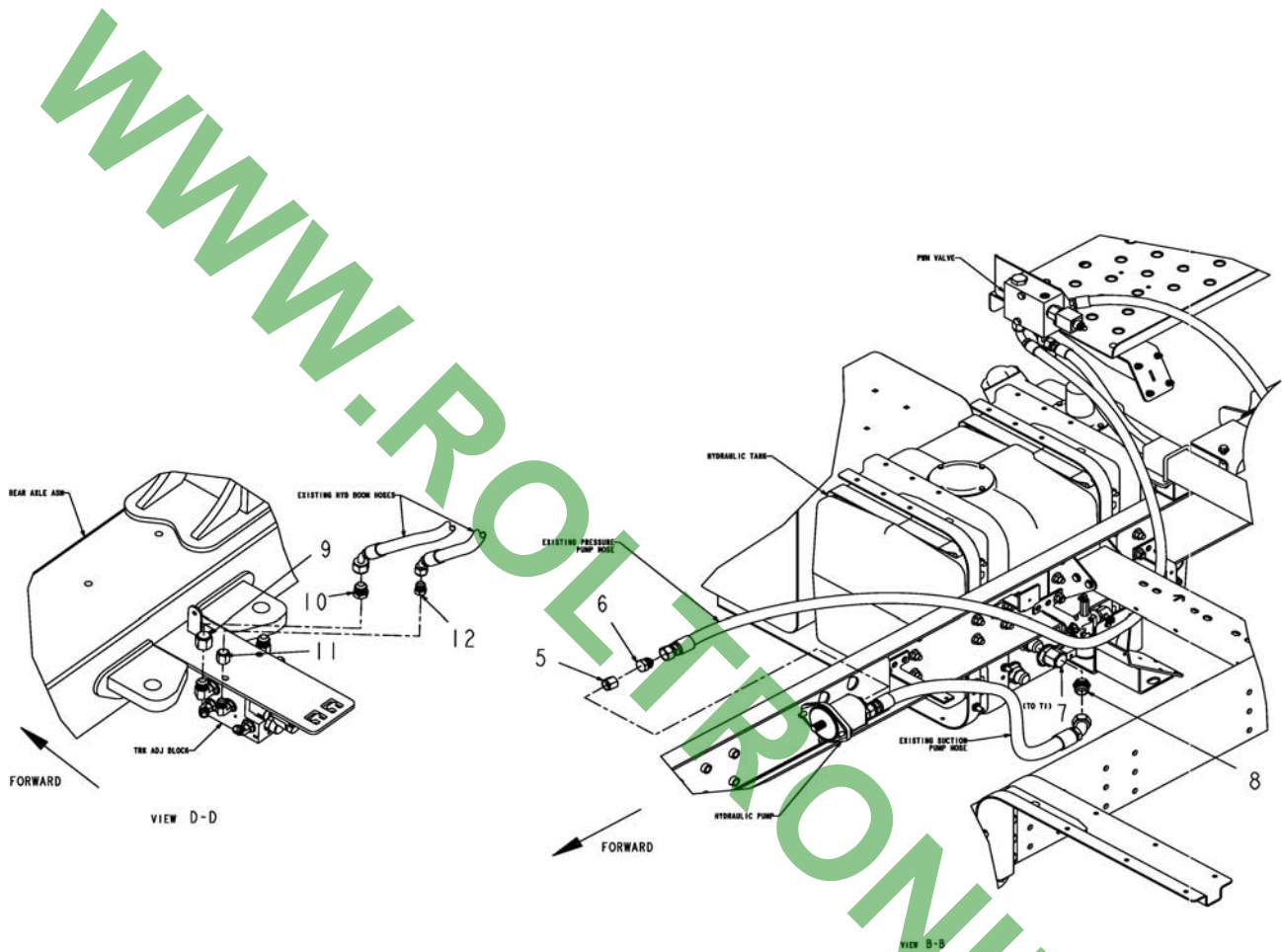
ITEM	PART #	QTY	DESCRIPTION	COMMENTS
1	AG132615	1	PUMP-HYD,2.11CIR,.88 13T	SEE PAGE 5-38
2	AG558877	1	ADAP STR 1.00MO-R X 1.00MJIC	[A]
3	AG561455	1	ADAP STR 0.75MO-R X 0.75MJIC	[B]
	FOOTNOTE [A]		O-RING - 714365, POLY O-RING AG714389	
	FOOTNOTE [B]		O-RING AG714806 ASSEMBLY USED THIS ADAPTOR THRU	
	FOOTNOTE [B]		SERIAL NUMBER AS-987, AS-988. NEW CHECK VALVE	
	FOOTNOTE [B]		AG522307 IS USED AFTER	

WWW.ROLTRONIK.PL



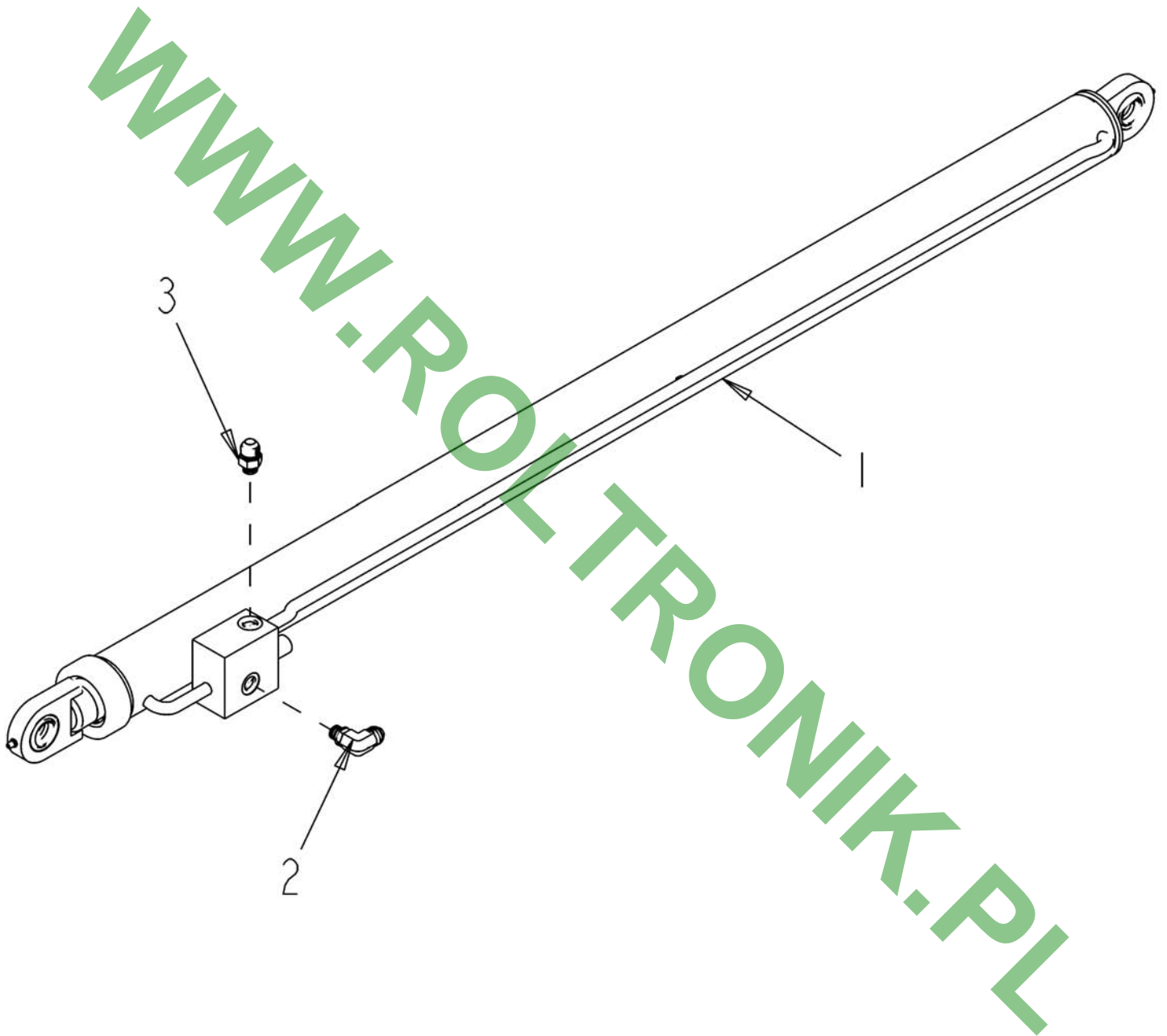
ITEM	PART #	QTY	DESCRIPTION	COMMENTS
1	AG328690	-	COVER-PUMP,B PAD	
2	AG550256	-	BOLT.50-13NCX1.25 G5 ZN HHD	
3	AG550264	-	WASHER 0.50 LK ZN REG	
4	AG714101	-	GASKET PUMP	[A]
5	AG706259	1	NUT CAP 0.75FJIC	
6	AG706263	1	PLUG -125MJ HEX	
7	AG706258	1	NUT CAP 1.00FJIC	
8	AG706262	1	PLUG -16MJ HEX	
9	AG561169	1	NUT CAP 0.50FJIC	
9	AG706265	1	PLUG 0.50MJIC HEX	
11	AG708307	1	NUT CAP 0.37 FJIC	
12	AG703308	1	ASM ROD&BRKT SUB-LINK REMSHIFT	
13	AG562496	AR	TIE CABLE 15.0 .18-4.00 BLACK	
	FOOTNOTE [A]		COVER PLATE - AG106560	

WWW.ROLTRONIK.PL



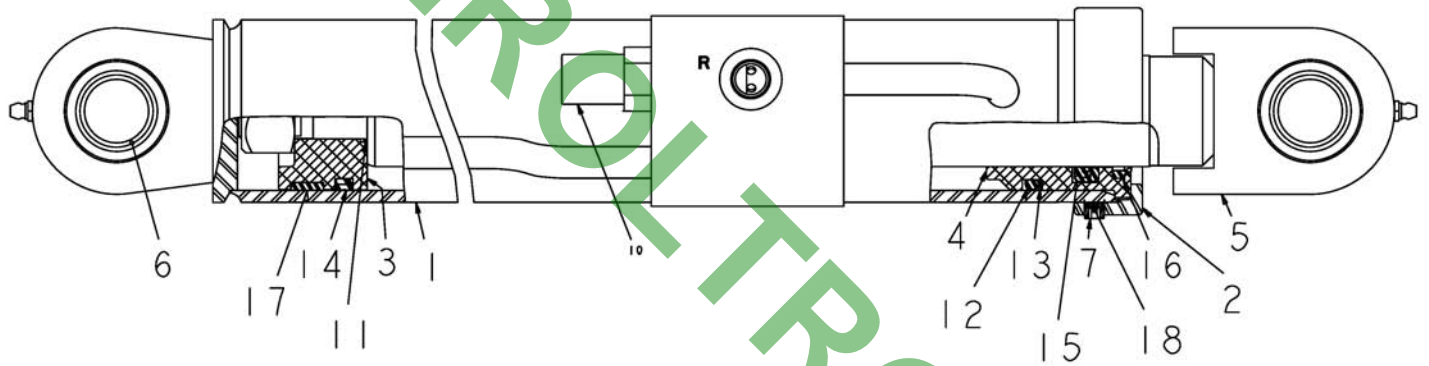
ITEM	PART #	QTY	DESCRIPTION	COMMENTS
1	AG328690	-	COVER-PUMP,B PAD	
2	AG550256	-	BOLT.50-13NCX1.25 G5 ZN HHD	
3	AG550264	-	WASHER 0.50 LK ZN REG	
4	AG714101	-	GASKET PUMP	[A]
5	AG706259	1	NUT CAP 0.75FJIC	
6	AG706263	1	PLUG -125MJ HEX	
7	AG706258	1	NUT CAP 1.00FJIC	
8	AG706262	1	PLUG -16MJ HEX	
9	AG561169	1	NUT CAP 0.50FJIC	
9	AG706265	1	PLUG 0.50MJIC HEX	
11	AG708307	1	NUT CAP 0.37 FJIC	
12	AG703308	1	ASM ROD&BRKT SUB-LINK REMSHIFT	
13	AG562496	AR	TIE CABLE 15.0 .18-4.00 BLACK	
	FOOTNOTE [A]		COVER PLATE - AG106560	

WWW.ROLTRONIK.PL

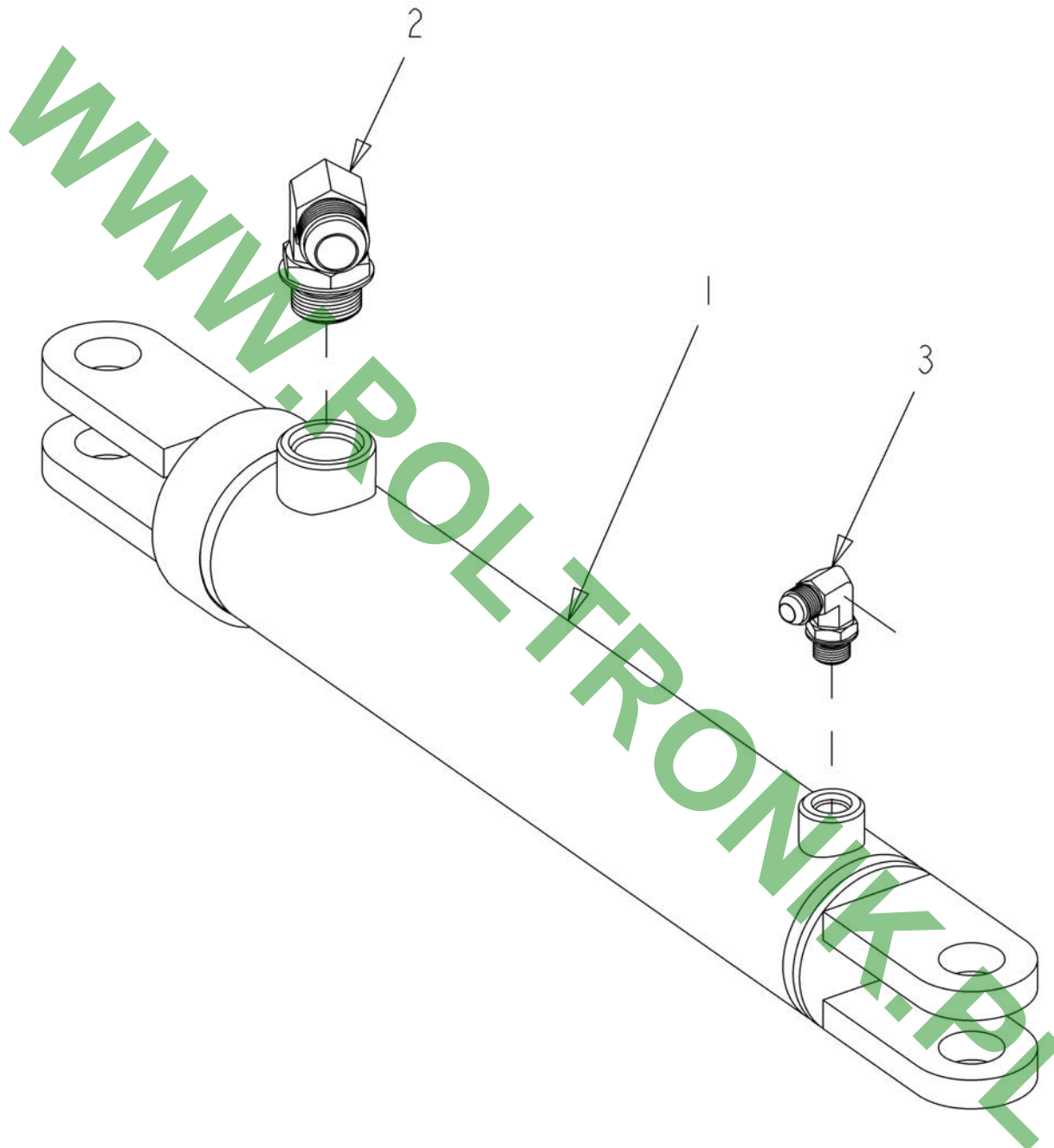


ITEM	PART #	QTY	DESCRIPTION	COMMENTS
1	AG122392	1	CYL-HYD,2.5X52X1.75,W/CB VALVE	SEE PAGE 5-17
2	AG514800	1	ELBOW-90D,-6MORX-8 MJIC	[A]
3	AG562372 FOOTNOTE [A]	1	ADAP STR 0.37MO-R X 0.50MJIC AG713166 - ORING	

WWW.ROLTRONIK.PL

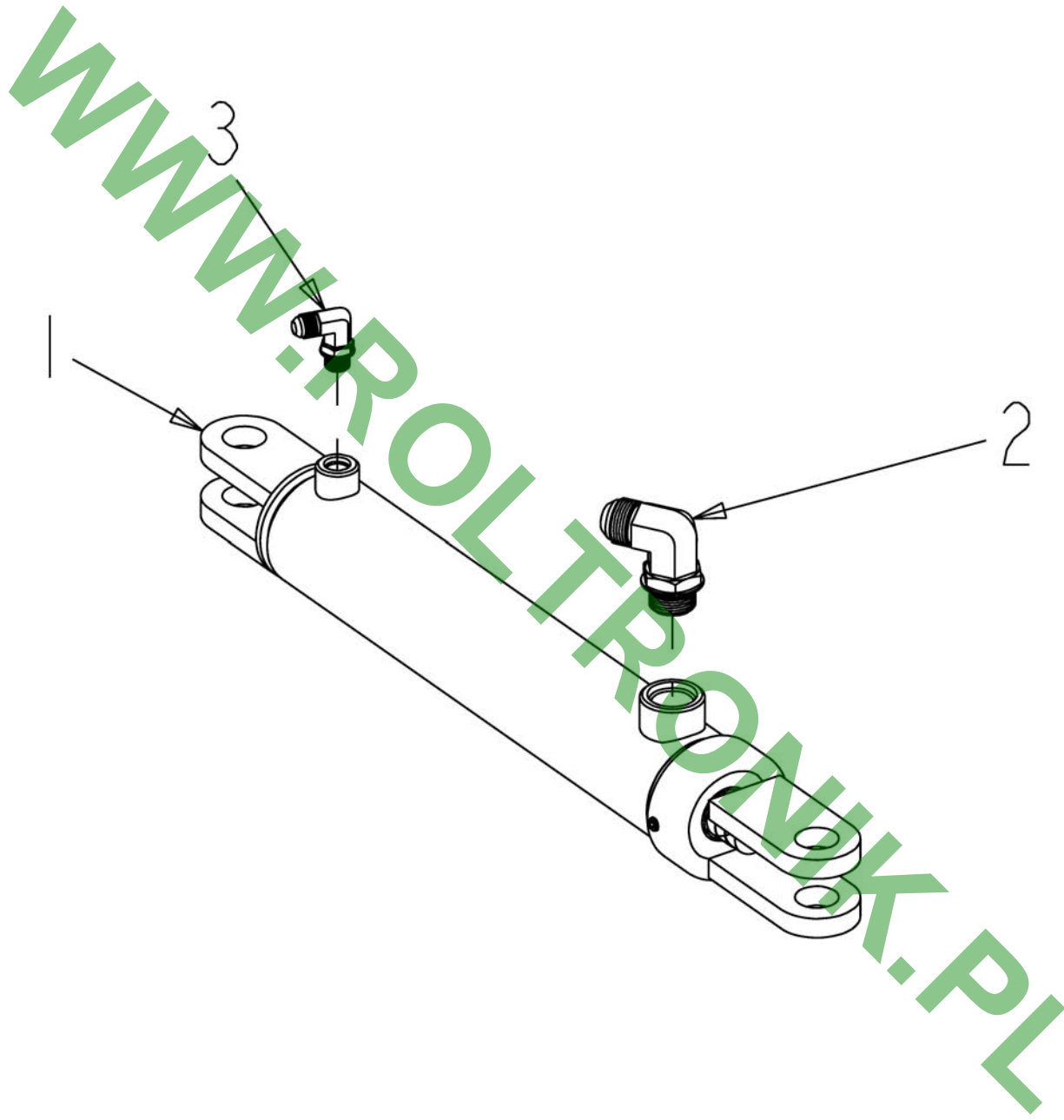


ITEM	PART #	QTY	DESCRIPTION	COMMENTS
1	AG727101	1	TUBE	
2	AG061231	1	CAP/HEAD GLAND	
3	AG727100	1	PISTON	
4	AG727099	1	HEAD/GLAND	
5	AG727098	1	ROD/CYLINDER 122392	
6	AG714999	2	SPHERICAL BEARING 517271	
7	AG061236	1	SCREW/SET .313-18X.25	
8	AG724682	1	ORING	
9	AG724681	1	RING BACKUP	
10	AG122436	1	KIT-SEAL, HYD CYL, 092FR0015	[A]
10	AG561826	1	FITTING LUBE 0.25-28 NF 90D	
13	AG709125	1	ZERK GREASE 0.25-28	
	FOOTNOTE [A]		ITEMS 12 - 19 CANNOT BE PURCHASED INDIVIDUALLY BUT ARE INCLUDED IN SEAL KIT	
	FOOTNOTE:		ITEM 12: O-RING	
	FOOTNOTE:		ITEM 13: O-RING	
	FOOTNOTE:		ITEM 14: BACKUP RING	
	FOOTNOTE:		ITEM 15: PSP A SEAL	
	FOOTNOTE:		ITEM 16: DEEP Z-SEAL	
	FOOTNOTE:		ITEM 17: HD ROD WIPER, SEALED OD	
	FOOTNOTE:		ITEM 18: PRECISION WEARBAND	
	FOOTNOTE:		ITEM 19: LOCKING INSERT	
	FOOTNOTE:		AG727098 - ROD ONLY	
	FOOTNOTE:		AG122346 - SEAL KIT	
	FOOTNOTE:		AG610515 - COUNTER BALANCE	
	FOOTNOTE:		AG604211 - SPHERICAL BEARING (CAN ALSO USE AG715343)	



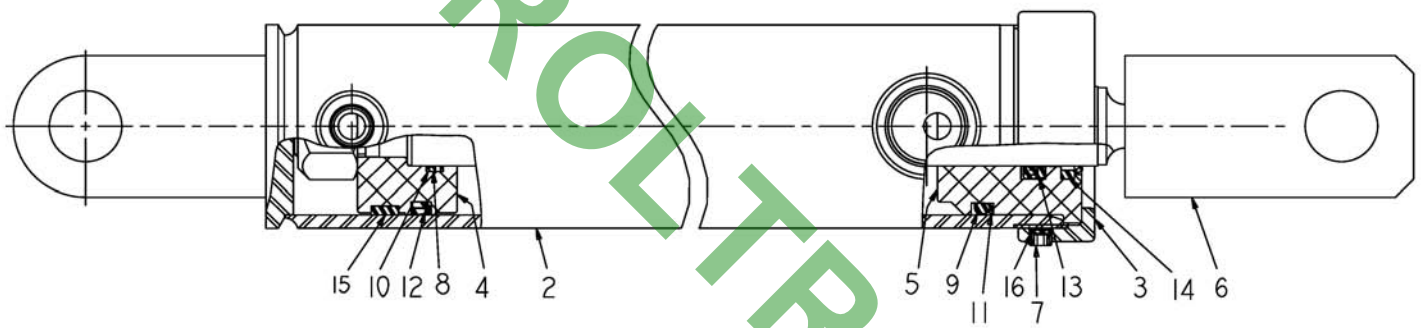
ITEM	PART #	QTY	DESCRIPTION	COMMENTS
1	AG122390	1	CYLINDER-HYD,2.50X12.00X1.12	[A]
2	AG554510	1	ELBOW 90D 0.75MO-R X 0.75MJIC	[B]
3	AG562401	1	ELBOW -6MB90X-6MJ	
	FOOTNOTE [A]		SEAL KIT - AG122448	
	FOOTNOTE [B]		AG562511-O-RING	

WWW.ROLTRONIK.PL



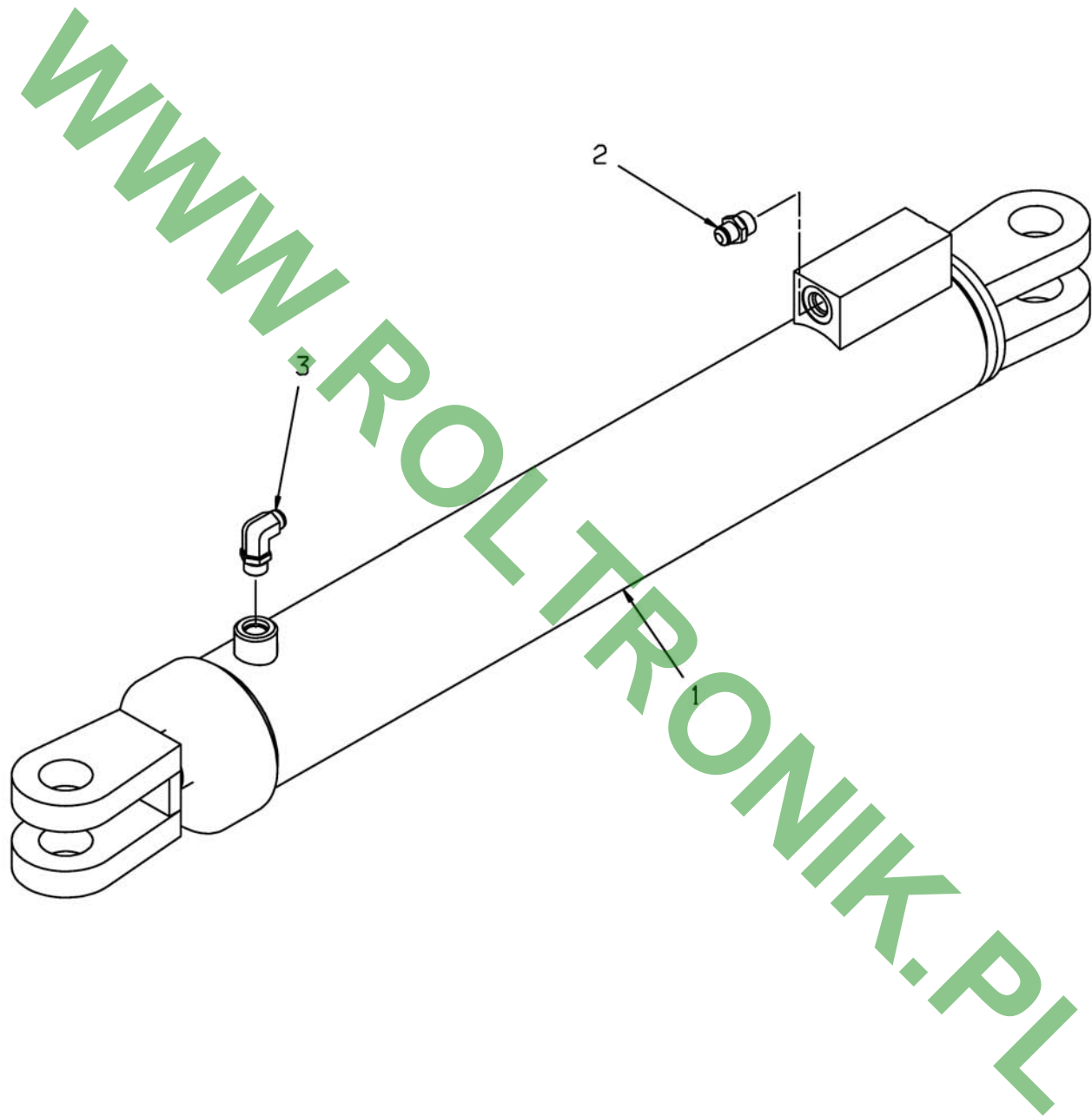
ITEM	PART #	QTY	DESCRIPTION	COMMENTS
1	AG122390	1	CYLINDER-HYD,2.50X12.00X1.12	[A]
2	AG554510	1	ELBOW 90D 0.75MO-R X 0.75MJIC	[B]
3	AG562401	1	ELBOW -6MB90X-6MJ	
	FOOTNOTE [A]		SEAL KIT - AG122448	
	FOOTNOTE [B]		AG562511-O-RING	

WWW.ROLTRONIK.PL



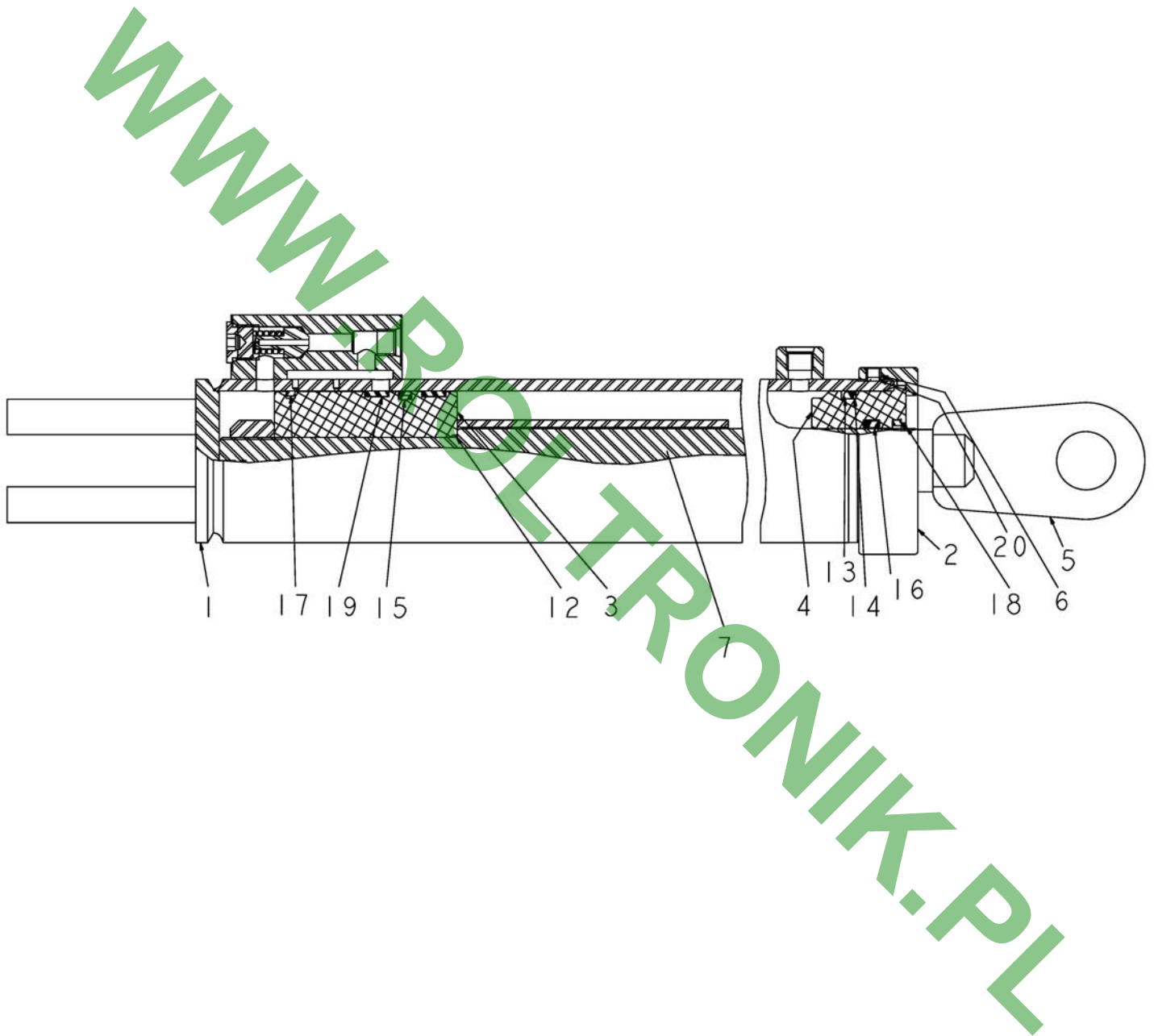
ITEM	PART #	QTY	DESCRIPTION	COMMENTS
1	AG122448	-	KIT-SEAL,HYD CYL,092FM0035	[A]
2	AG727108	1	TUBE / CYLINDER	
3	AG061231	1	CAP/HEAD GLAND	
4	AG727109	1	PISTON	
5	AG727110	1	ROD/CYLINDER	
5	AG727111	1	GLAND / HEAD	
6	AG138370	1	ROD WLDMT	
7	AG061236	1	SCREW/SET .313-18X.25	
	FOOTNOTE [A]		ITEMS 8 - 16 CANNOT BE PURCHASED INDIVIDUALLY BUT ARE INCLUDED IN SEAL KIT	
	FOOTNOTE:		SEAL KIT - AG122448	

WWW.ROLTRONIK.PL



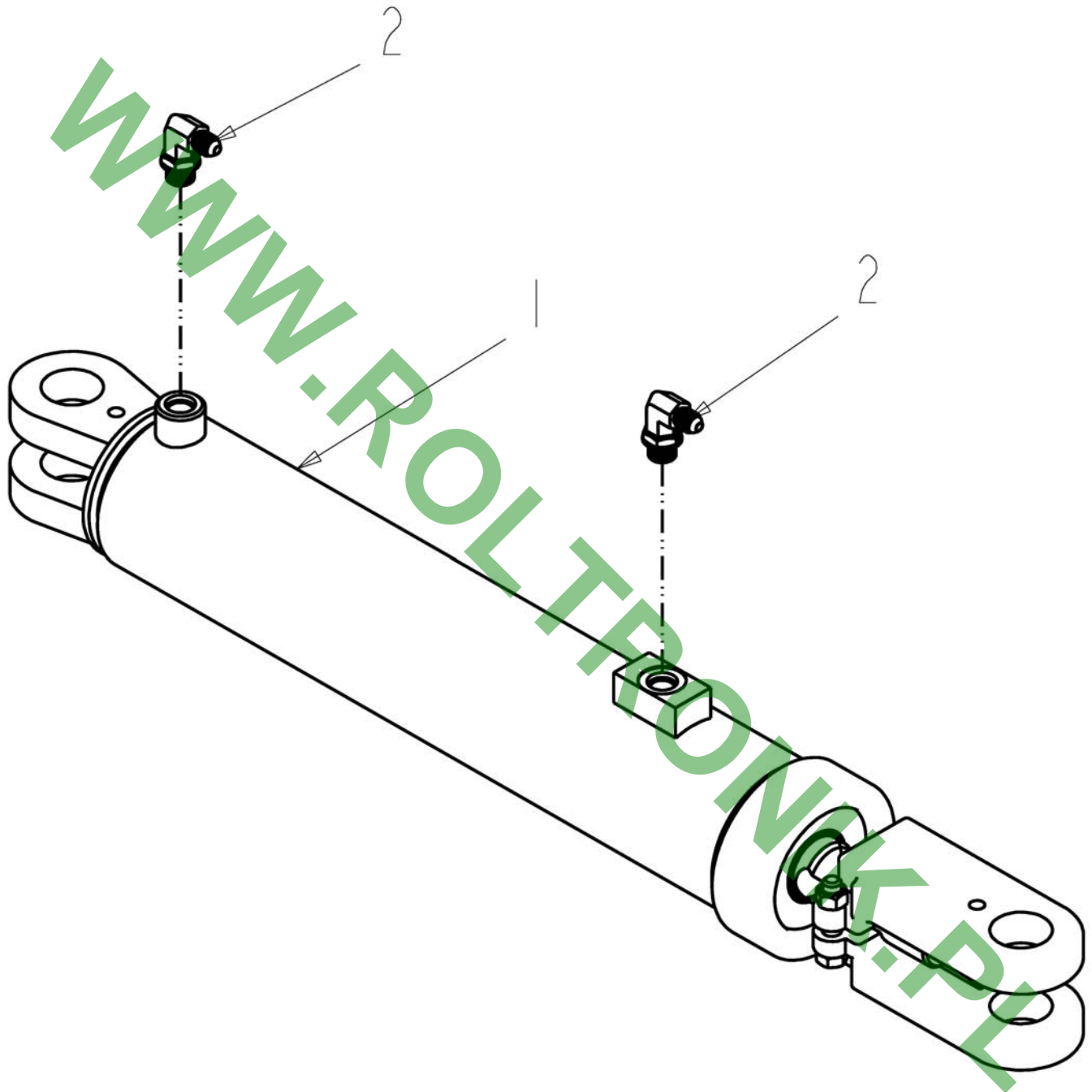
ITEM	PART #	QTY	DESCRIPTION	COMMENTS
1	AG424952	1	CYLINDER-HYD,3.00X6.00X1.38	SEE PAGE 5-22
2	AG562372	1	ADAP STR 0.37MO-R X 0.50MJIC	
3	AG521490	1	VALVE-CHECK,90D,.38MO-RX.50JIC	

WWW.ROLTRONIK.PL



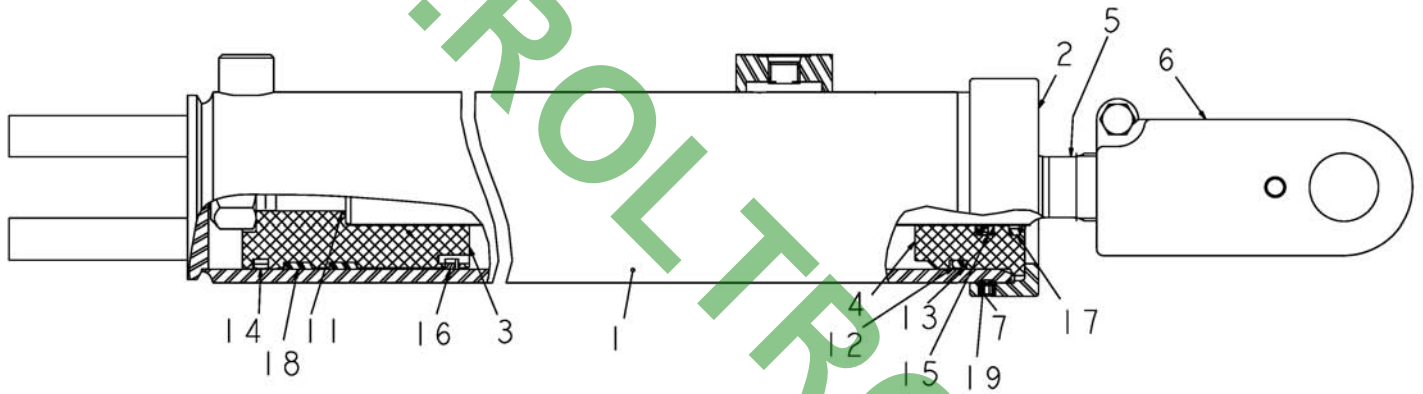
ITEM	PART #	QTY	DESCRIPTION	COMMENTS
1	AG727115	1	TUBE / CYLINDER	
2	AG138348	1	CAP/HEAD GLAND	
3	AG727114	1	PISTON	
4	AG727112	1	GLAND/HEAD	
5	AG727113	1	ROD/CYLINDER	
6	AG061236	1	SCREW/SET .313-18X.25	
7	AG610516	1	KIT-SEAL (523017)	[A]
	FOOTNOTE [A]		ITEMS 12 - 20 CANNOT BE PURCHASED INDIVIDUALLY BUT ARE INCLUDED IN SEAL KIT	
	FOOTNOTE:		SEAL KIT- AG610516	

WWW.ROLTRONIK.PL

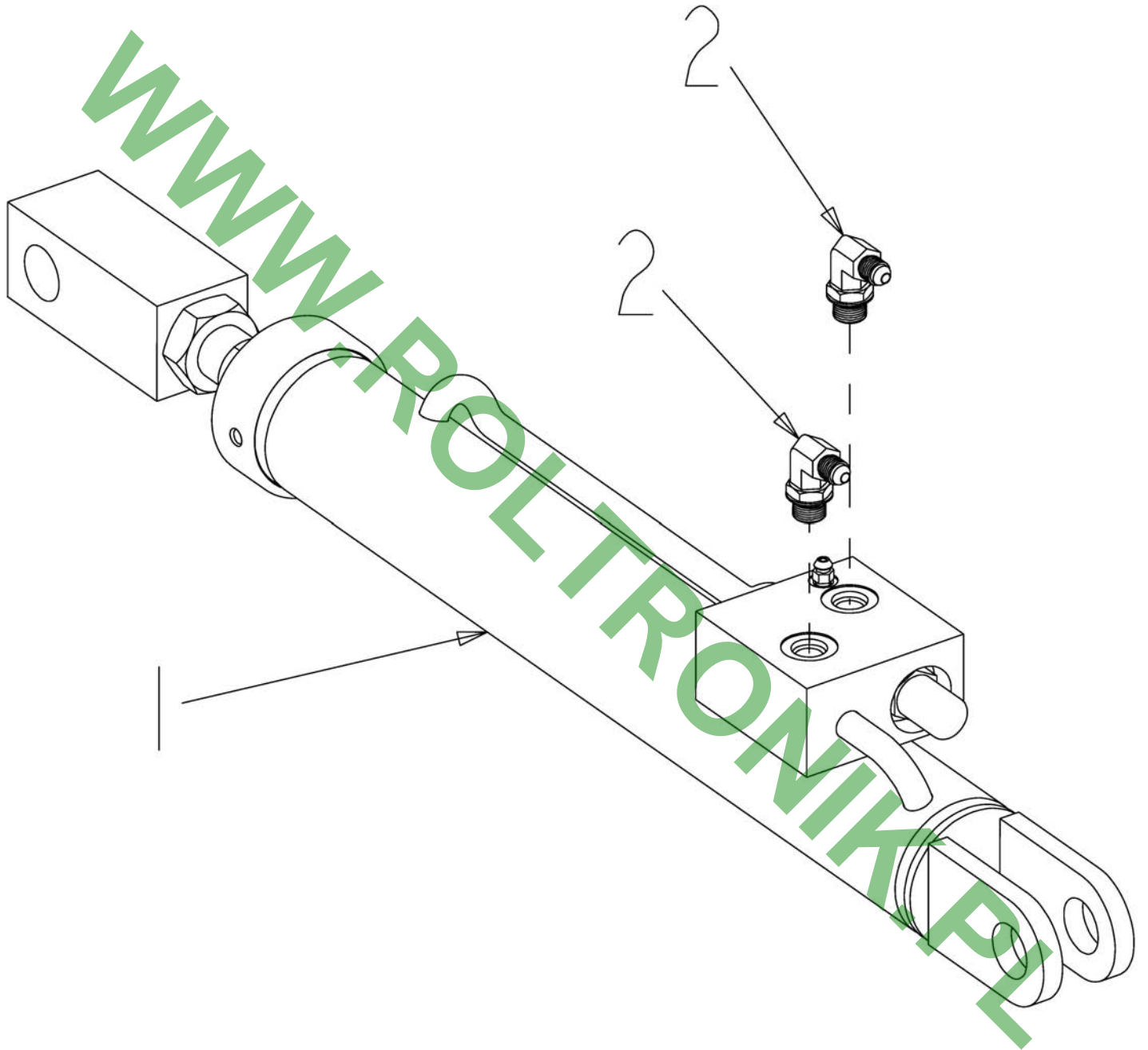


ITEM	PART #	QTY	DESCRIPTION	COMMENTS
1	AG126326	1	CYLINDER-HYD,3.00X12.00X1.38	SEE PAGE 5-24
2	AG562354	2	ELBOW 90D 0.37MO-R X 0.25MJIC	[A]
	FOOTNOTE [A]		AG713166 O-RING	

WWW.ROLTRONIK.PL

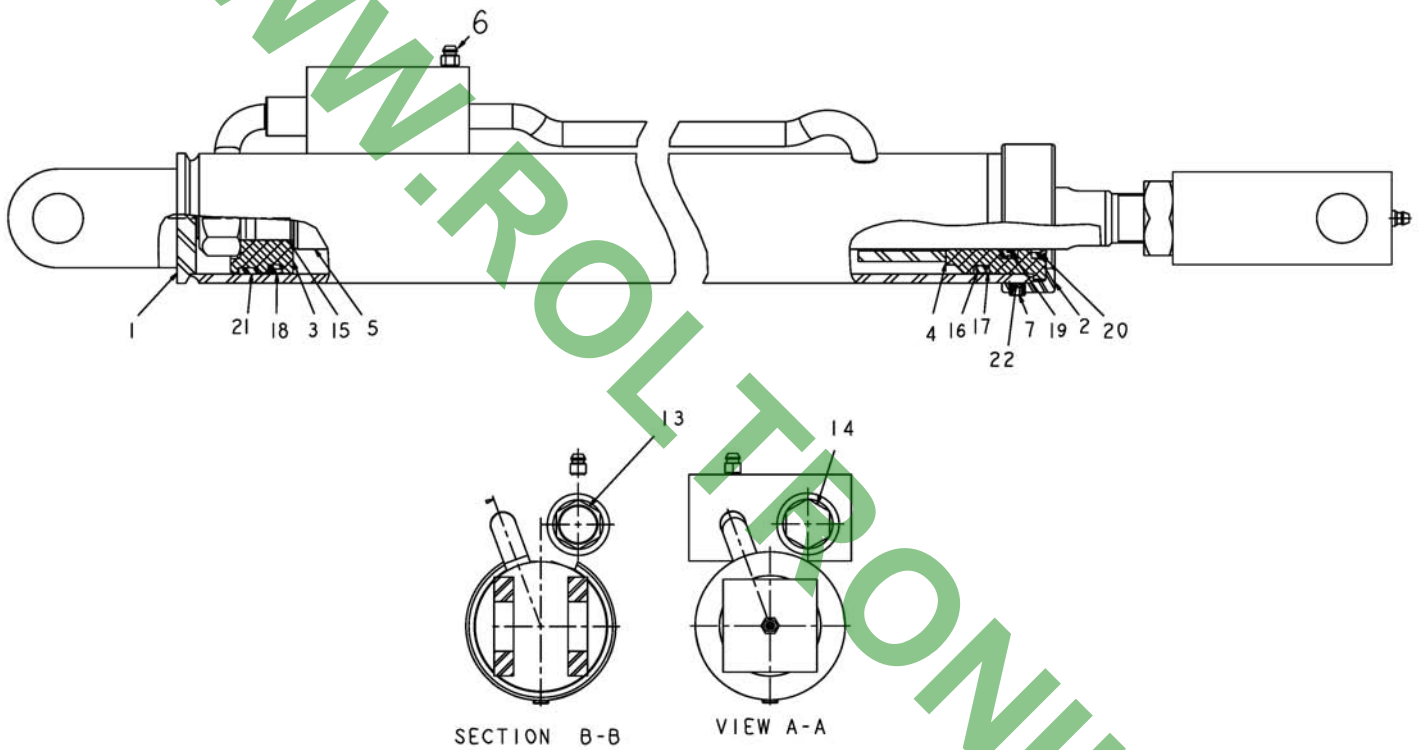


ITEM	PART #	QTY	DESCRIPTION	COMMENTS
REF	AG127749	1	SEAL KIT	[A]
REF	AG727663	1	SEAL/KIT CYL (126326)	
2	AG138348	1	CAP/HEAD GLAND	
3	AG138416	1	PISTON	
4	AG727112	1	GLAND/HEAD	
5	AG727107	1	ROD/CYLINDER	
6	AG059665	1	CLEVIS,ADJUSTABLE 522928	
7	AG061236	1	SCREW/SET .313-18X.25	
	FOOTNOTE [A]		ITEMS 15 - 23 CANNOT BE PURCHASED INDIVIDUALLY BUT ARE INCLUDED IN SEAL KIT	
	FOOTNOTE:		ITEM 11: O-RING	
	FOOTNOTE:		ITEM 12: O-RING	
	FOOTNOTE:		ITEM 13: BACKUP RING	
	FOOTNOTE:		ITEM 14: DISO-PAC	
	FOOTNOTE:		ITEM 15: DEEP Z SEAL	
	FOOTNOTE:		ITEM 16: CAST IRON PISTON RING	
	FOOTNOTE:		ITEM 17: HD ROD WIPER, SEALED OD	
	FOOTNOTE:		ITEM 18: WEARBAND	
	FOOTNOTE:		ITEM 19: LOCKING INSERT	

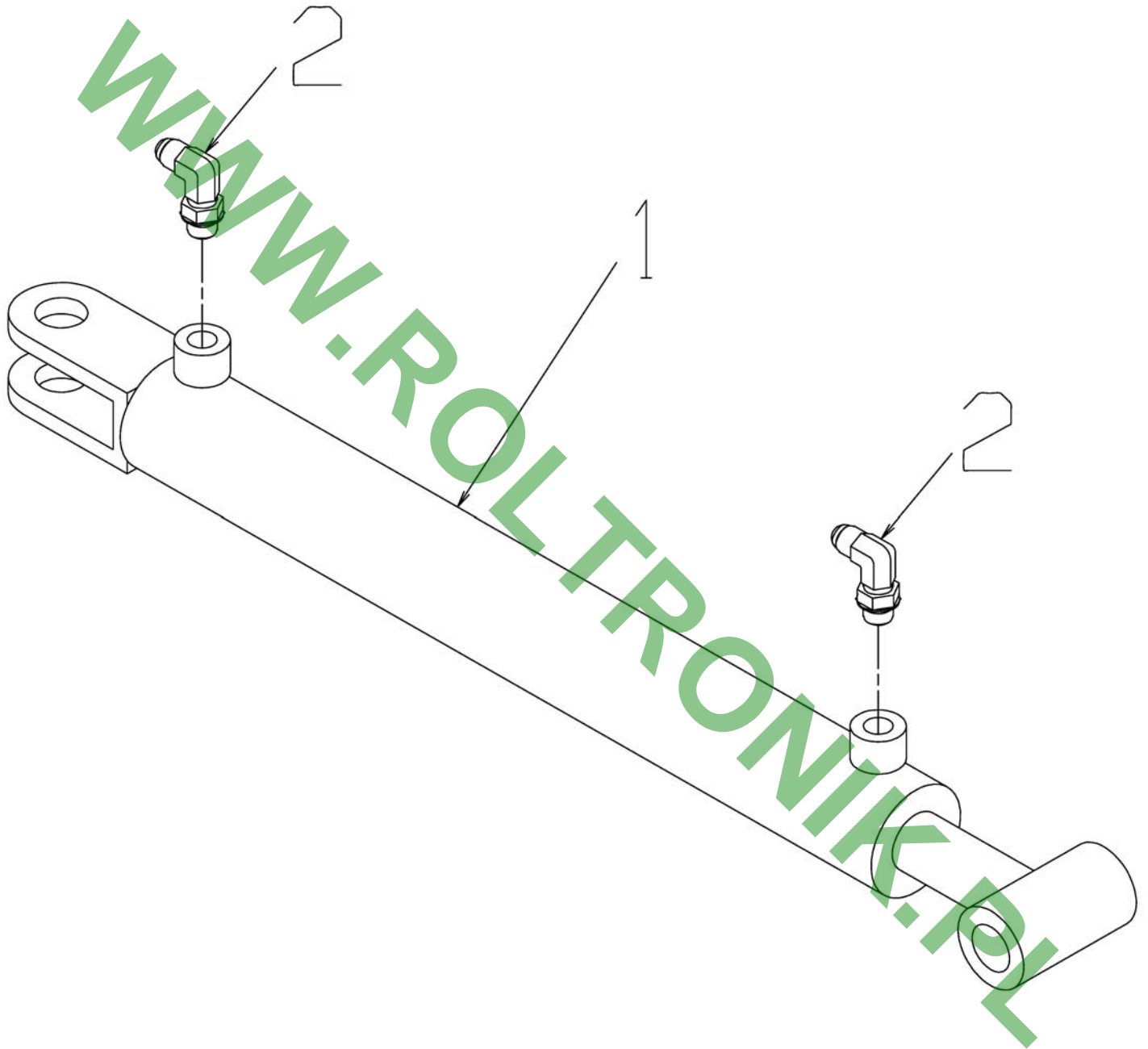


ITEM	PART #	QTY	DESCRIPTION	COMMENTS
1	AG122391	1	CYLINDER-HYD,2.25X14.00X1.25	SEE PAGE 5-26
2	AG562354	2	ELBOW 90D 0.37MO-R X 0.25MJIC	[A]
	FOOTNOTE [A]		AG713166 O-RING	
	FOOTNOTE:		CONSISTS OF: 2 - AG562354, 1 - AG424373	

WWW.ROLTRONIK.PL

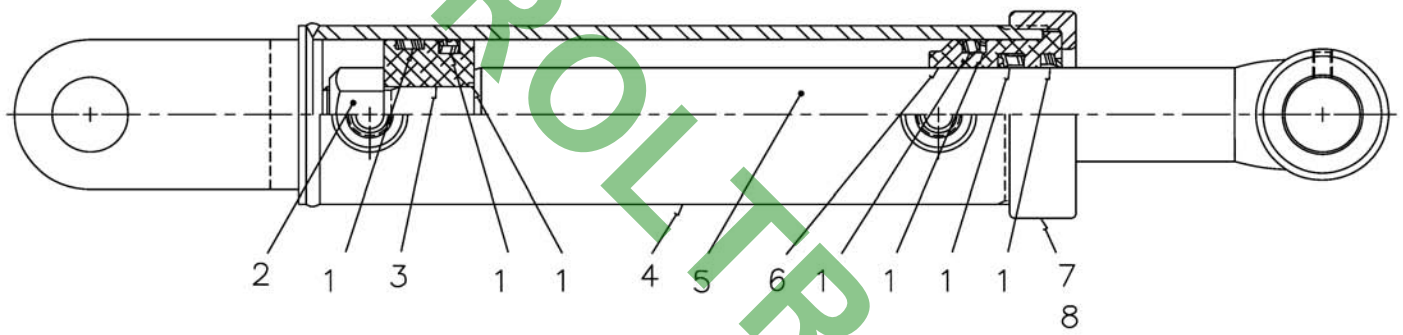


ITEM	PART #	QTY	DESCRIPTION	COMMENTS
2	AG131609	1	CAP, HEAD GLAND	
2	AG138402	1	CAP/HEAD GLAND	
3	AG131608	1	HEAD, GLAND	
3	AG727106	1	PISTON	
4	AG727104	1	GLAND/HEAD	
5	AG727103	1	ROD/CYLINDER	
6	AG129928	1	SCREW/BLEEDER	
6	AG131593	1	SPACER, ROD	
7	AG061236	1	SCREW/SET .313-18X.25	
8	AG138401	1	VALVE/CB, CBCA-CHN (3000)	
9	AG138400	1	VALVE/CHECK PO, CKCB-XFN	
9	AG562560	1	NUT 1.00-14NF HEX ZN JAM	
10	AG122434	1	KIT-SEAL, HYD CYL, 092EN0078	[A]
10	AG606707	1	NUT .87-14NF HHD ZN PT G8	
12	AG561892	1	FITTING LUBE STR 0.25UNF	
13	AG131551	1	VALVE, CHECK CB	
14	AG131550	1	VALVE, CHECK PO	
	FOOTNOTE [A]		ITEM 15 - 22 CANNOT BE PURCHASED INDIVIDUALLY BUT ARE INCLUDED IN THE SEAL KIT.	



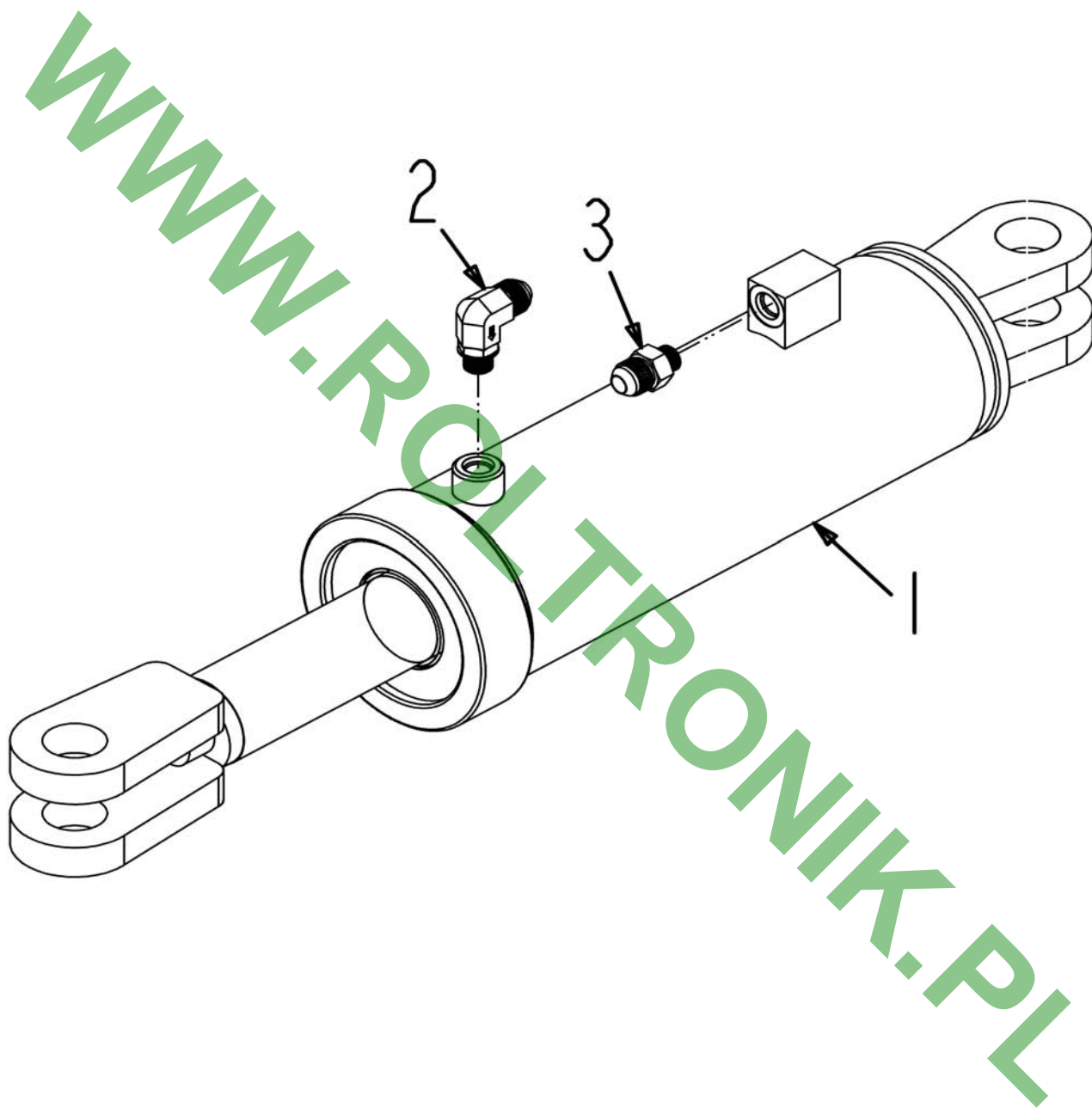
ITEM	PART #	QTY	DESCRIPTION	COMMENTS
1	AG424374	1	CYLINDER-HYD,2.00X16.00X1.25	SEE PAGE 5-28
2	AG562354	2	ELBOW 90D 0.37MO-R X 0.25MJIC	[A]
	FOOTNOTE [A]		AG713166 O-RING	
	FOOTNOTE:		CYLINDER- AG519117, FITTING- AG562354.	

WWW.ROLTRONIK.PL



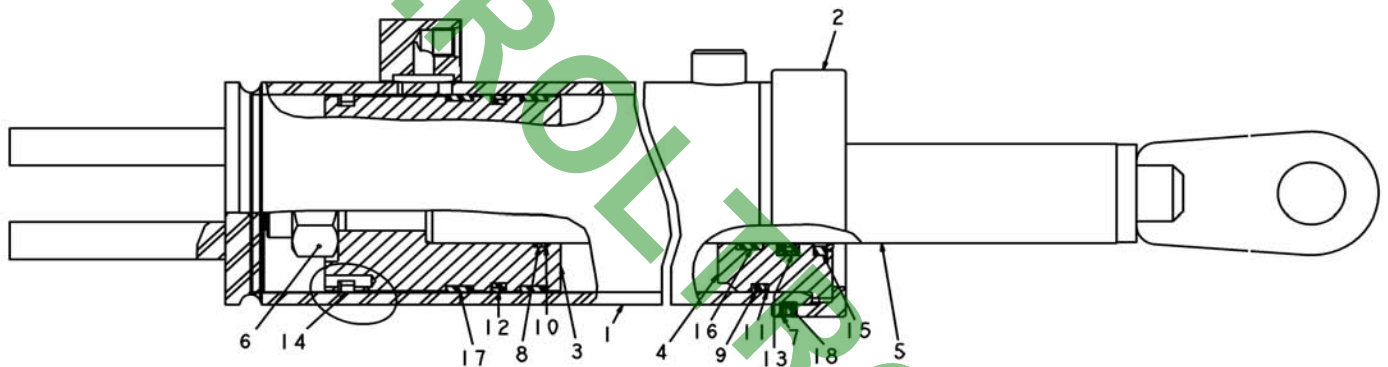
ITEM	PART #	QTY	DESCRIPTION	COMMENTS
1	AG714942	1	SEAL KIT 519117	[A]
2	AG061235	1	NUT/LOCK UNF .75-16	
3	AG727125	1	PISTON	
4	AG727124	1	TUBE	
5	AG727123	1	ROD/CYLINDER	
6	AG727126	1	GLAND/HEAD	
7	AG138398	1	CAP/HEAD GLAND	
8	AG061236	1	SCREW/SET .313-18X.25	
	FOOTNOTE [A]		SEAL KIT CONTAINS ITEMS 1A-1G	
	FOOTNOTE:		SEAL KIT - AG714942	

WWW.ROLTRONIK.PL



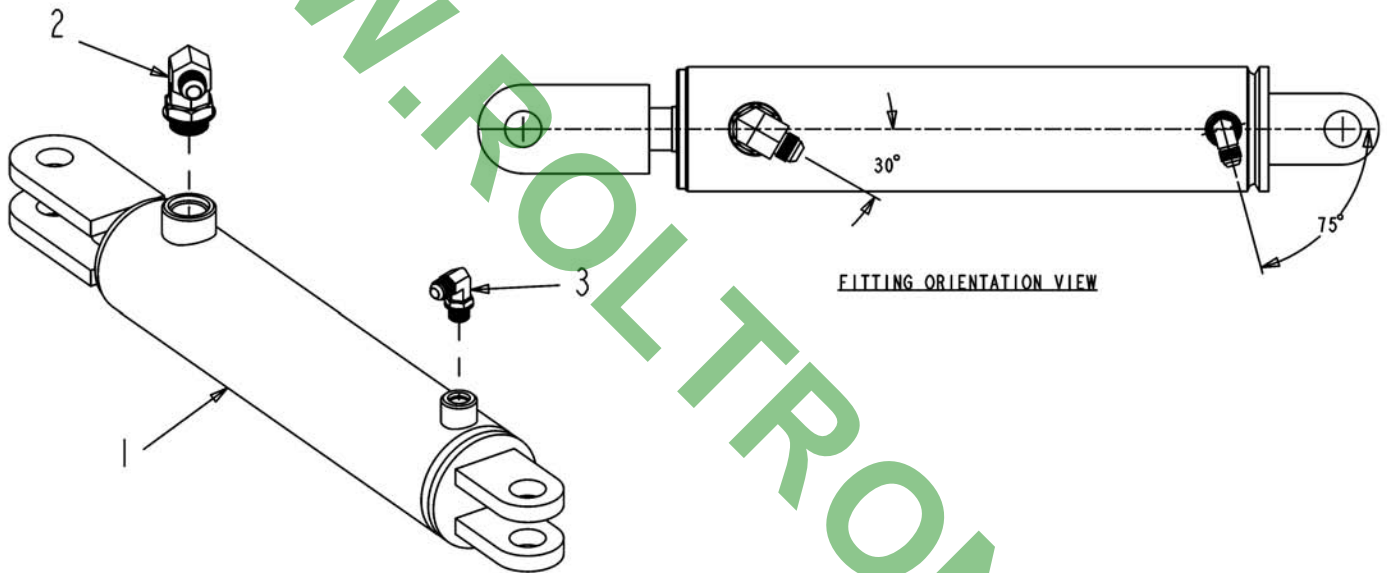
ITEM	PART #	QTY	DESCRIPTION	COMMENTS
1	AG136742	1	CYLINDER-HYD,4.00X6.00X2.00	SEE PAGE 5-30
2	AG521490	1	VALVE-CHECK,90D, .38MO-RX.50JIC	
3	AG562372	1	ADAP STR 0.37MO-R X 0.50MJIC	

WWW.ROLTRONIK.PL



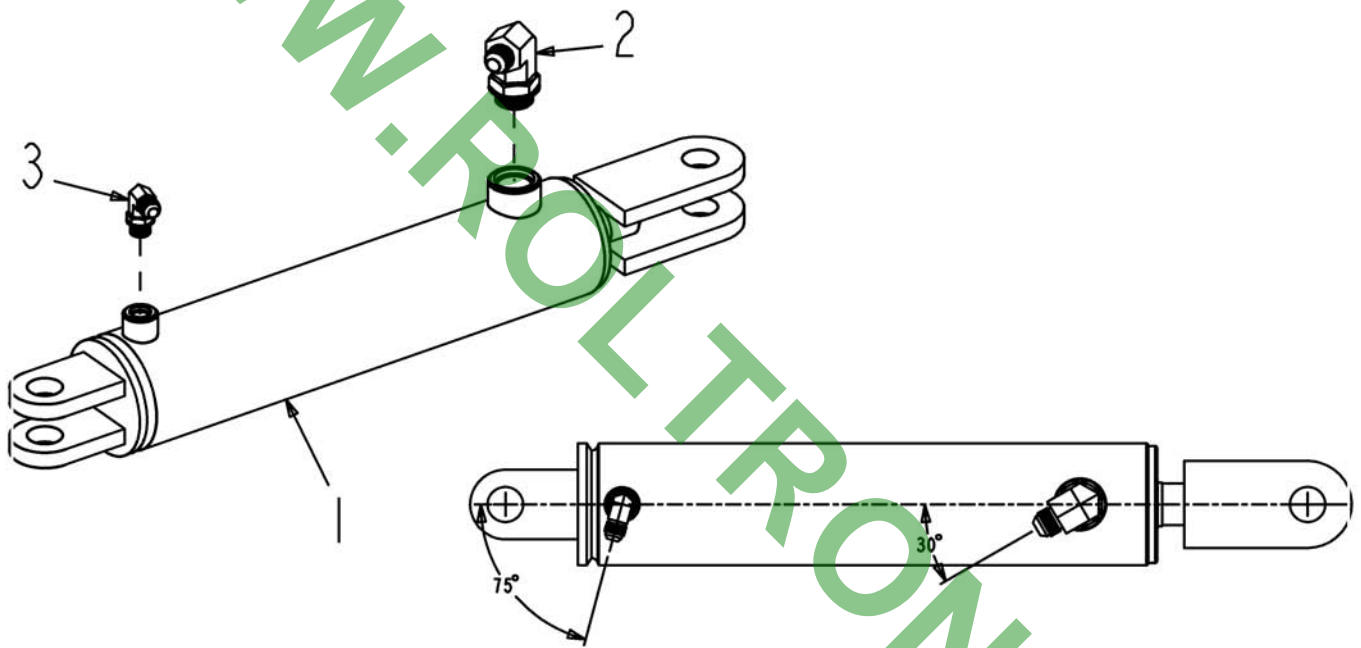
ITEM	PART #	QTY	DESCRIPTION	COMMENTS
1	AG136743	-	KIT-SEAL,HYD CYL,092JS116	

WWW.ROLTRONIK.PL



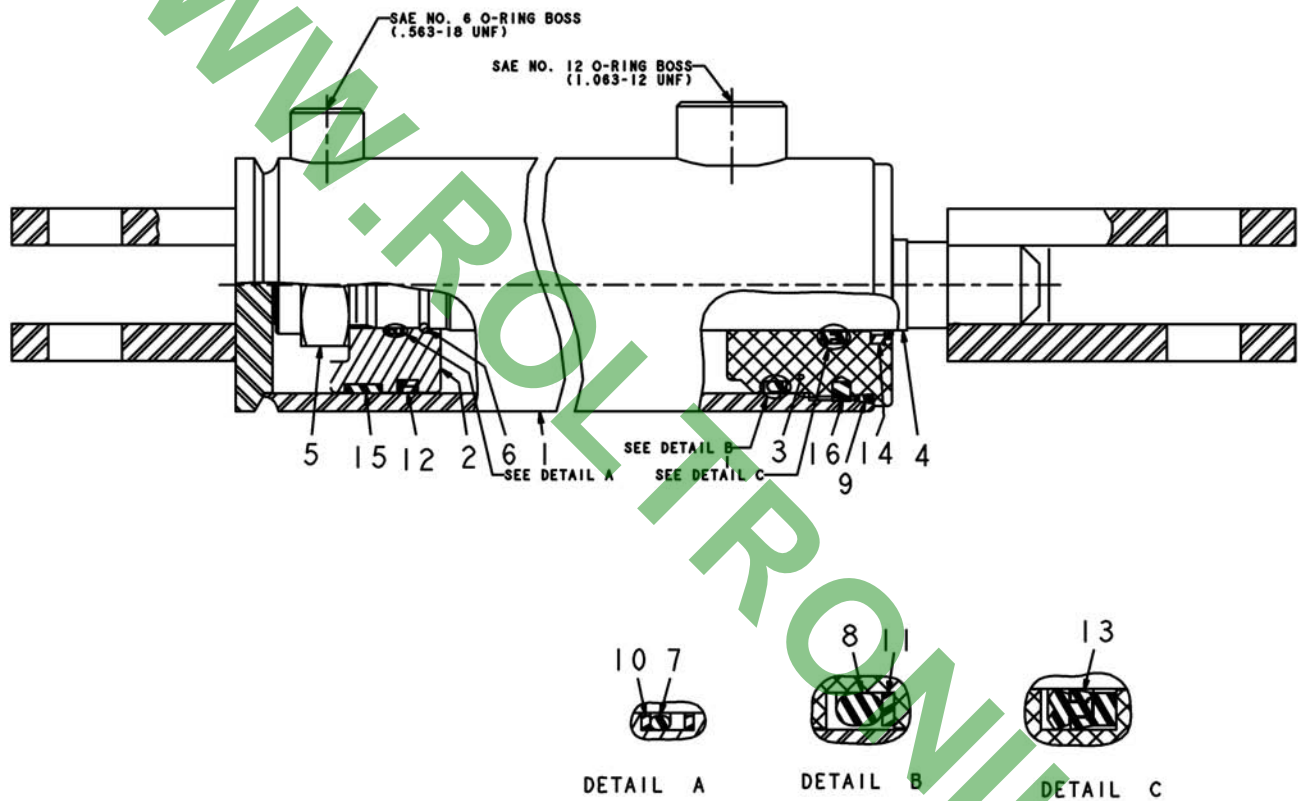
ITEM	PART #	QTY	DESCRIPTION	COMMENTS
1	AG136825	1	CYLINDER-HYD,3.00X11.38X1.25	SEE PAGE 5-33
2	AG551422	1	ELBOW 90D 0.75MO-R X 0.50MJIC	[A]
3	AG562401	1	ELBOW -6MB90X-6MJ	
	FOOTNOTE [A]		AG562511-O-RING	

WWW.ROLTRONIK.PL



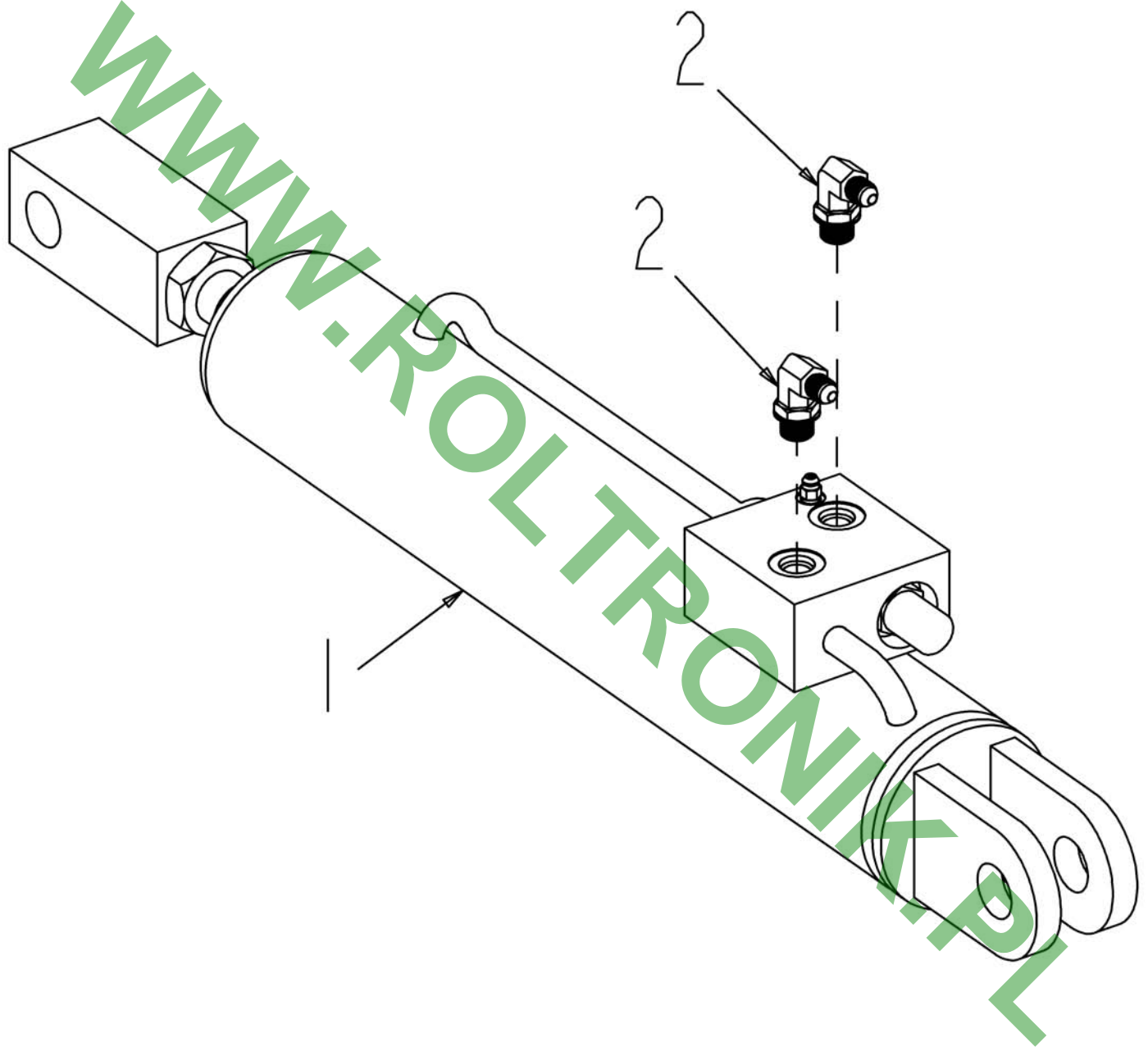
ITEM	PART #	QTY	DESCRIPTION	COMMENTS
1	AG136825	1	CYLINDER-HYD,3.00X11.38X1.25	SEE PAGE 5-33
2	AG551422	1	ELBOW 90D 0.75MO-R X 0.50MJIC	[A]
3	AG562401	1	ELBOW -6MB90X-6MJ	
	FOOTNOTE [A]		AG562511-O-RING	

WWW.ROLTRONIK.PL



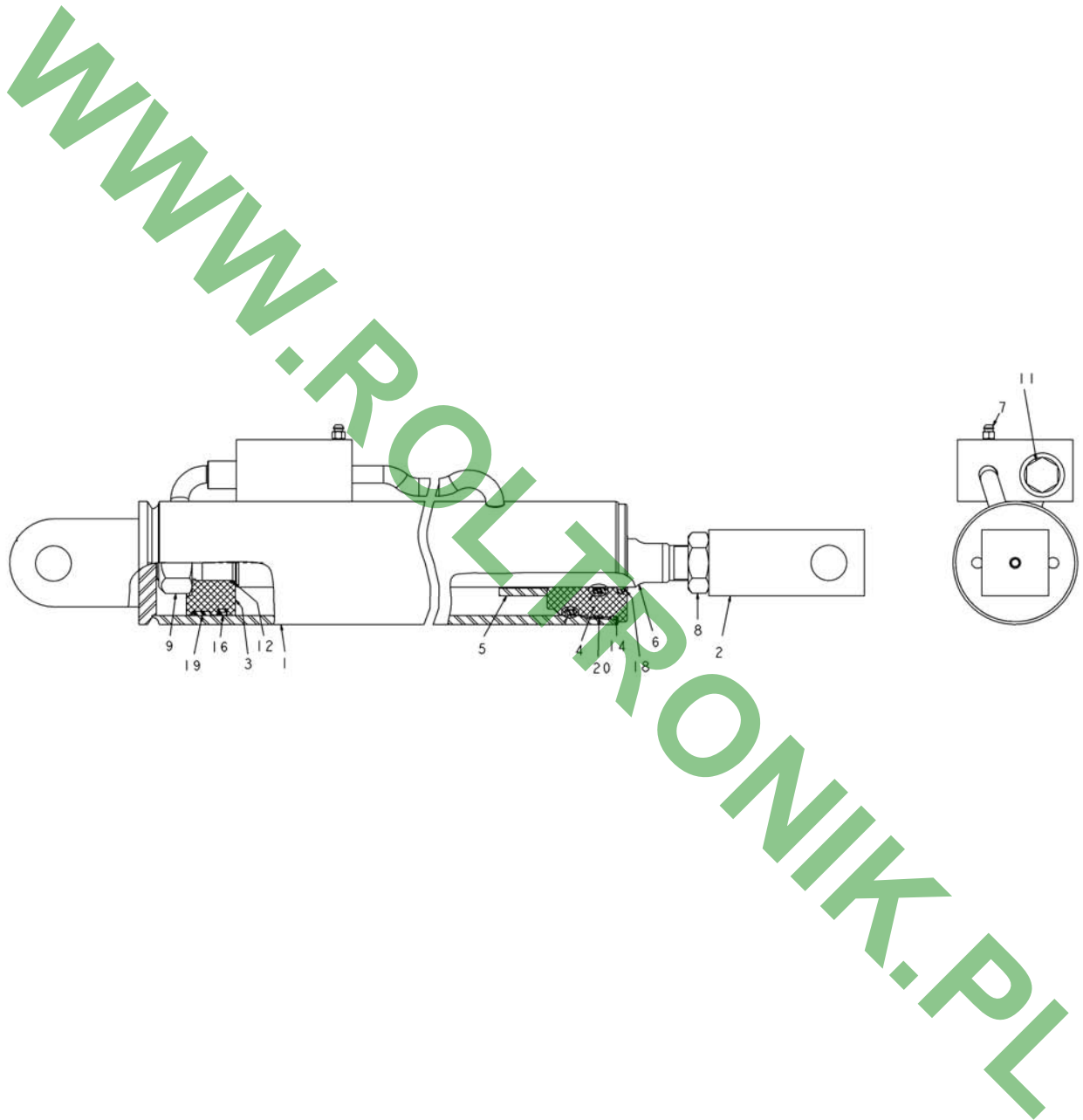
ITEM	PART #	QTY	DESCRIPTION	COMMENTS
REF	AG136826	-	KIT-SEAL,HYD CYL,092GN0129	

WWW.ROLTRONIK.PL



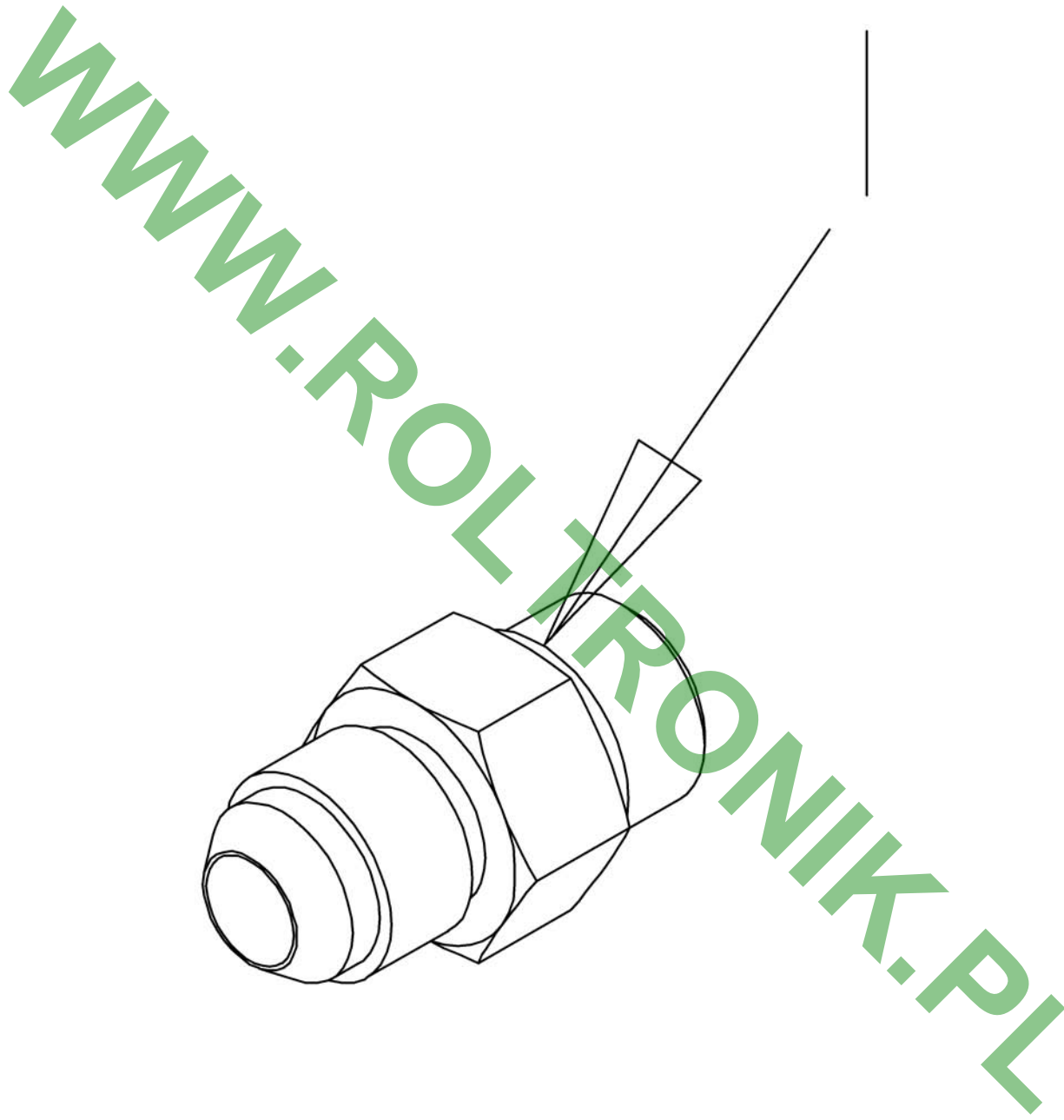
ITEM	PART #	QTY	DESCRIPTION	COMMENTS
1	AG136821	1	CYLINDER-HYD,3.00X14.00X1.38	SEE PAGE 5-35
2	AG562354 FOOTNOTE [A]	2	ELBOW 90D 0.37MO-R X 0.25MJIC AG713166 O-RING	[A]

WWW.ROLTRONIK.PL



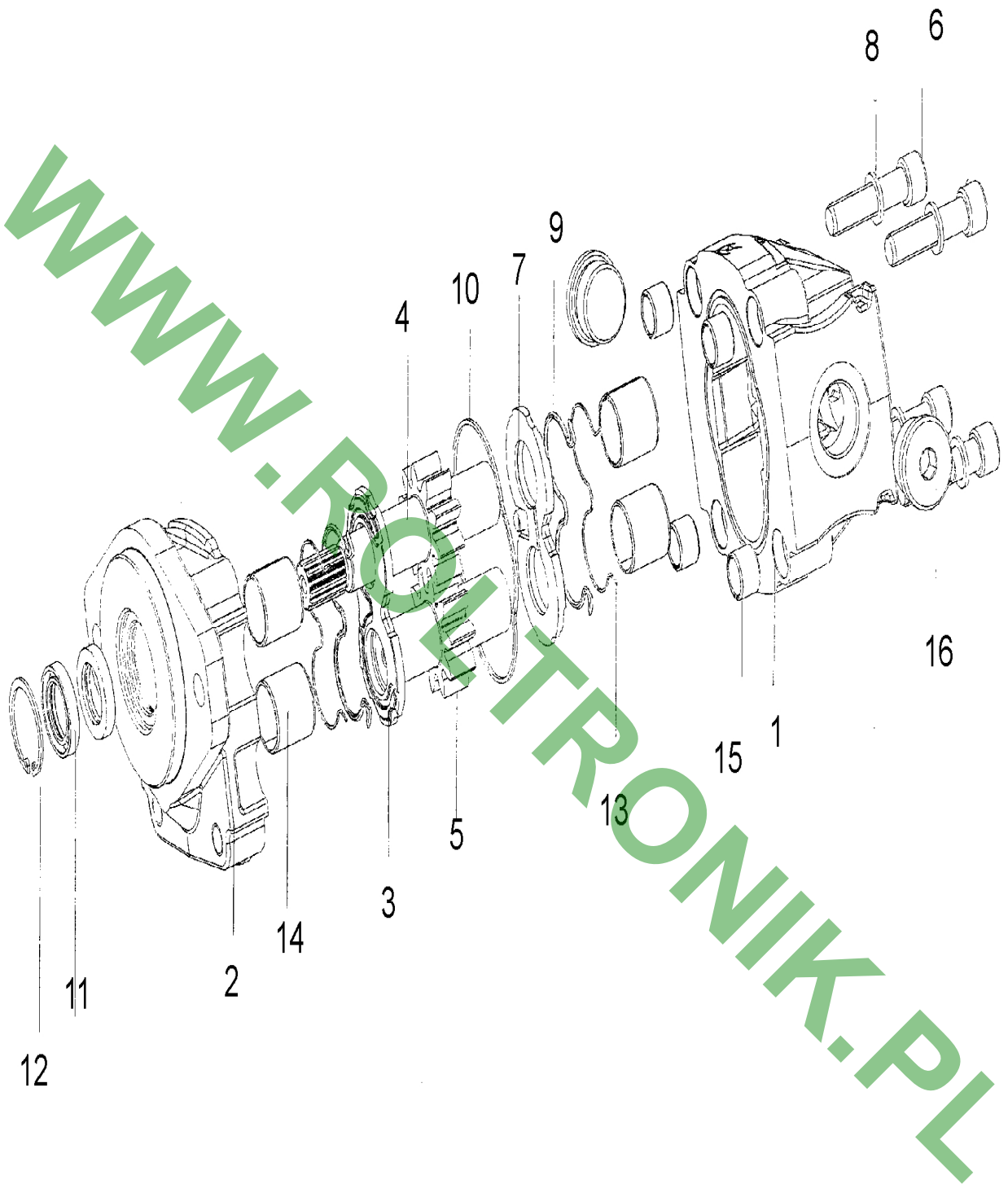
ITEM	PART #	QTY	DESCRIPTION	COMMENTS
REF	AG136822	-	KIT-SEAL,HYD CYL,092GN0128	

WWW.ROLTRONIK.PL



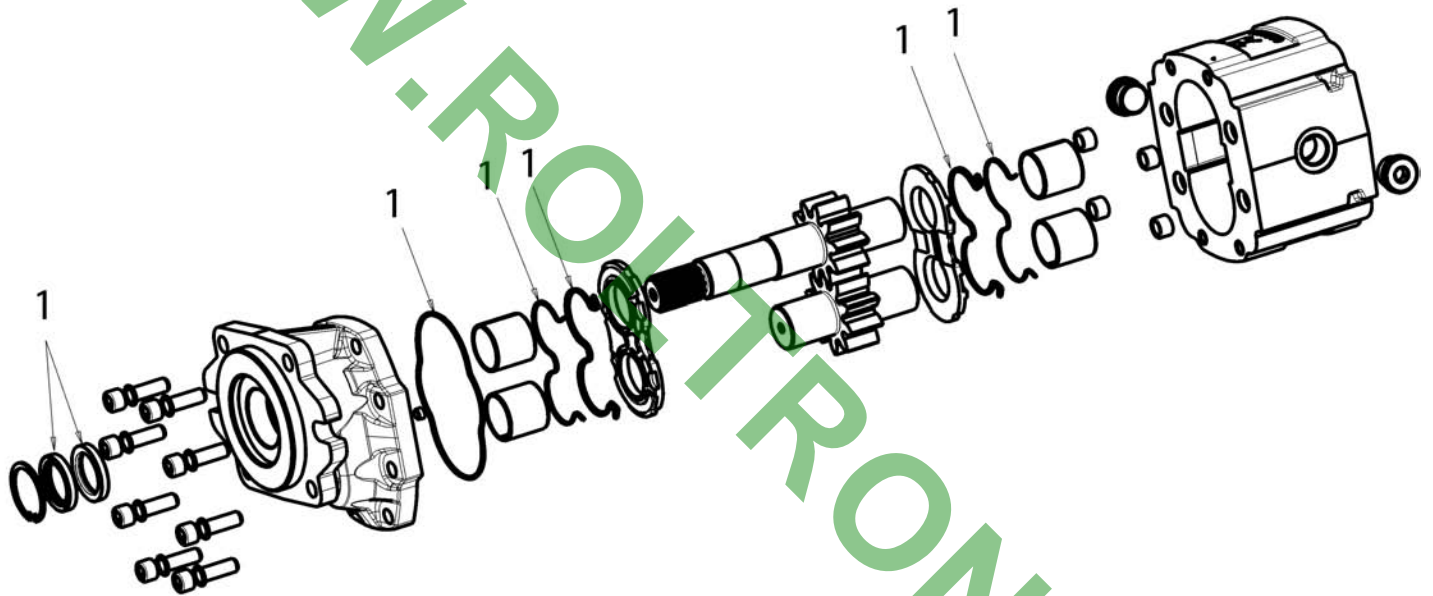
ITEM	PART #	QTY	DESCRIPTION	COMMENTS
1	AG139107 FOOTNOTE:	1	O-RING,FLARE-O,BUNA AG713166 O-RING	

WWW.ROLTRONIK.PL



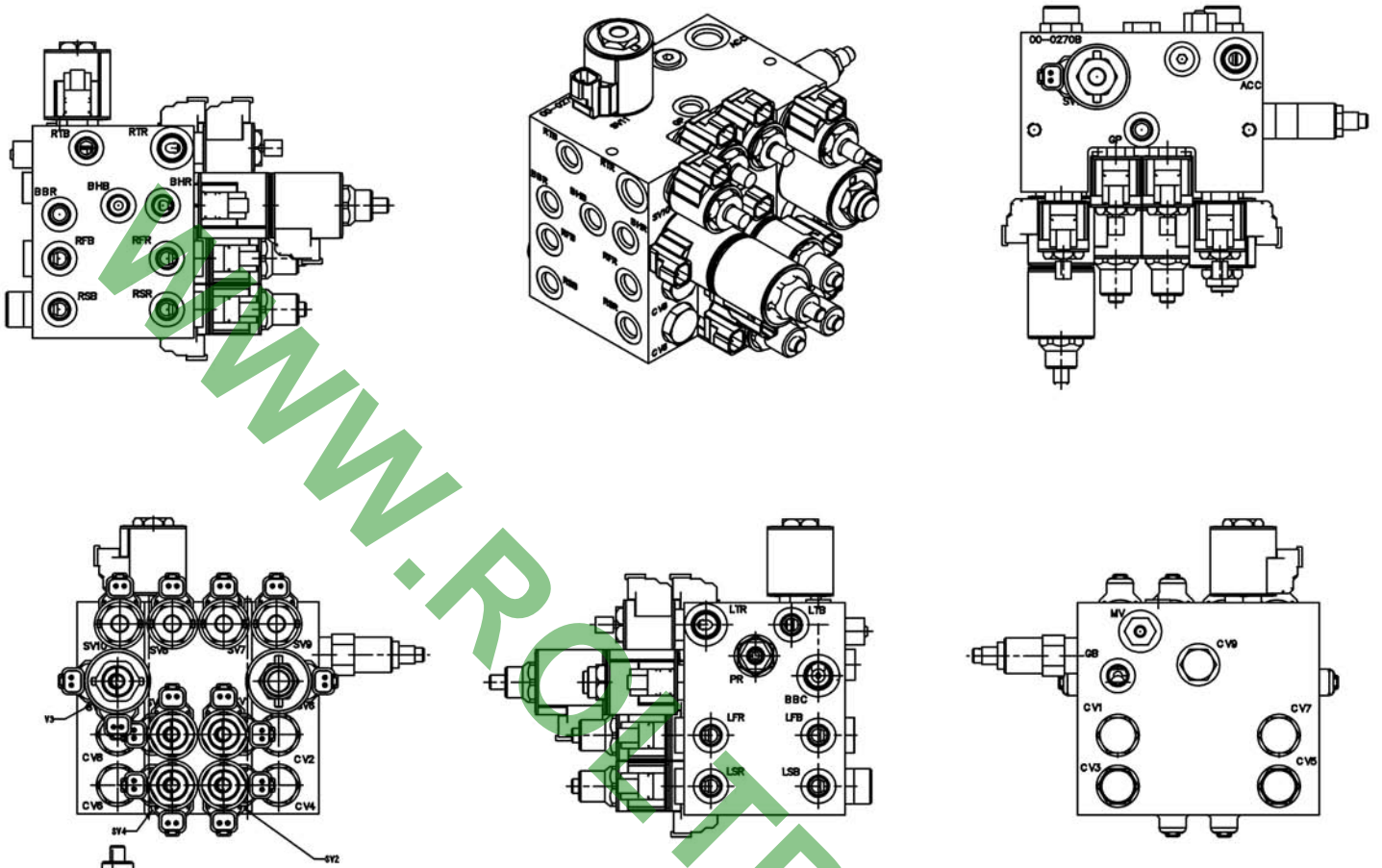
ITEM	PART #	QTY	DESCRIPTION	COMMENTS
REF	AG137424	1	SEAL	
1	AG132126	1	BODY	
2	AG132127	1	COVER, PUMP FRONT	
3	AG132128	2	PLATE, THRUST	
4	AG132129	1	SHAFT, DRIVE	
5	AG132130	1	GEAR, DRIVEN	
6	AG132131	4	SCREW	
7	AG132132	1	SCREW, GRUB	
8	AG132133	4	WASHER	
9	AG132134	2	SEAL	
10	AG132135	1	SEAL	
11	AG132136	2	SEAL, SHAFT	
12	AG132137	1	RING	
13	AG132138	2	RING, RETAINER	
14	AG132139	4	SLEEVE, BEARING	
15	AG132140	4	BUSHING	
16	AG132141	2	PLUG	

WWW.ROLTRONIK.PL



ITEM	PART #	QTY	DESCRIPTION	COMMENTS
1	AG139087	1	SEAL KIT/KM30-A8K9	

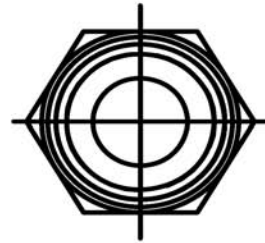
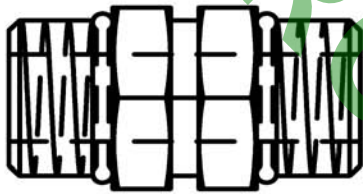
WWW.ROLTRONIK.PL



SV1, SV2, SV4, SV5	121920	NUT-PULL COIL, E-SERIES, #10
SV3	121921	NUT-PUSH COIL, E-SERIES, #8
SV1, SV2, SV4, SV5	121492	KIT-SEAL, CARTRIDGE, -08
SV3	715207	SEAL KIT
SV6, CV1, CV2, CV3, CV4, CV5, CV6, CV7, CV8	059018	KIT-SEAL, SOLENOID, -10
SV7, SV8	714832	KIT-SEAL, CARTRIDGE, 3W, -08
SV9, SV10, CV9, MV	716811	KIT-SEAL, SOLENOID, -08
SV11	121493	KIT-SEAL, CARTRIDGE, -10
PR	121495	KIT-SEAL, VALVE, -10
SV1, SV2, SV4, SV5	715567	SOLENOID VALVE
SV3	721899	CARTRIDGE PUMP
SV6	125811	VALVE-SOL, 2WAY POPPET, 18 GPM
SV7, SV8	724687	VALVE-CARTRIDGE
SV9, SV10	718011	DISC-ORFICE
SV9, SV10	718059	VALVE-CARTRIDGE
SV11	725602	VALVE-SOL, 2 WAY, -10
SV1, SV2, SV4, SV5, SV7, SV8, SV9, SV10	121483	COIL-E, 12VDC, DEUTSCH W/DIODE, 08
SV3, SV6, SV11	121484	COIL-E, 12VDC, DEUTSCH W/DIODE, 10
SV1, SV2, SV4, SV5, SV7, SV8, SV9, SV10, SV11	726854	NUT-PULL COIL, E-SERIES
SV6	726853	NUT-PUSH COIL, E-SERIES
SV1, SV2, SV4, SV5	121486	SPACER-E COIL, 08
SV11	121485	SPACER-E COIL, 10
CV1, CV2, CV4, CV6, CV7, CV8	715570	CHECK VALVE
CV2, CV4, CV6, CV8	715569	PILOT PISTON
CV3, CV5	715571	CHECK VALVE
CV9	717712	VALVE-CHECK
MV	121927	VALVE-RELEASE, MANUAL, #8
PR	121489	VLV-PILOT OPER, PRESS RED, 10
BHB	059148	DISCE-ORFICE, (SLOT DOWN)
RSB, LSB	524369	ORFICE-2WAY, .052, -6SAE THR
RFB, RFR, LFR, LFB	522023	PLATE-ORFICE, 2 WAY, .040 DIA
CAVITY	PART NO.	DESCRIPTION

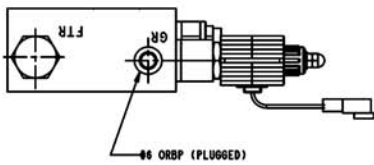
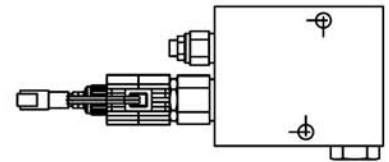
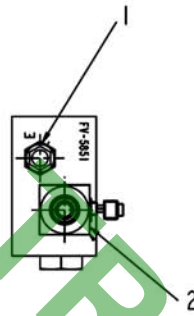
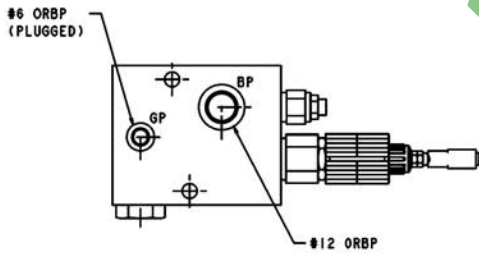
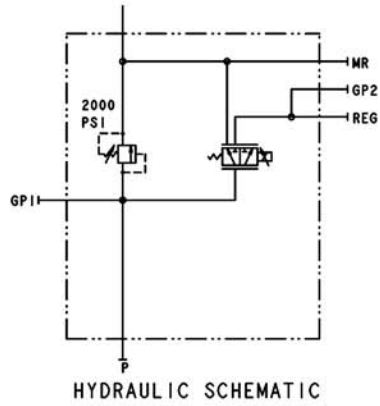
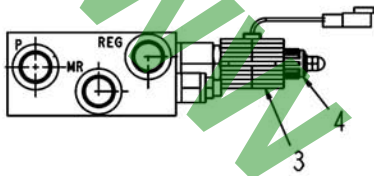
ITEM	PART #	QTY	DESCRIPTION	COMMENTS
REF	AG059018	-	SEAL KIT	
REF	AG059148	-	ORIFICE	
REF	AG121483	-	COIL-E,12VDC DEUTCH W/DIODE,08	
REF	AG121484	-	COIL-E,12VDC DEUTCH W/DIODE,10	
REF	AG121485	-	SPACER-E COIL,10	
REF	AG121486	-	SPACER-E COIL,08	
REF	AG121489	-	VLV-PILOT OPER,PRESS RED,10	
REF	AG121492	-	KIT-SEAL,CARTRIDGE,-08	[A]
REF	AG121493	-	KIT-SEAL,CARTRIDGE,-10	[B]
REF	AG121495	-	KIT-SEAL,VALVE,-10	
REF	AG121920	-	NUT-PULL COIL,E-SERIES,#10	
REF	AG121921	-	NUT-PULL COIL,E-SERIES,#8	
REF	AG121927	-	VALVE-RELEASE,MANUAL,#8	
REF	AG125811	1	VALVE-SOL,2WAY POPPET,18 GPM	
REF	AG522023	-	PLATE-ORFICE,2 WAY,.040 DIA	
REF	AG524369	-	ORIFICE-2WAY,.052,-6SAE THR	
REF	AG714832	-	SEAL KIT 712817	
REF	AG715207	-	SEAL KIT	
REF	AG715571	-	CHECK VALVE	[C]
REF	AG716811	-	KIT-ORING,ND VALVE(609465)	
REF	AG717712	-	VALVE- CHECK	
REF	AG718011	-	ORIFICE BOOM	
REF	AG718059	-	CARTRIDGE-2WAY,NORMALLY CLOSED	[D]
REF	AG724687	-	SOLENOID VALVE 523480	
REF	AG725602	-	CARTRIDGE-SOLENOID VALVE	
REF	AG726853	-	NUT/PUSH COIL,E-SERIES	
REF	AG726854	-	NUT/PULL COIL E-SERIES	
	FOOTNOTE [A]		REPLACED BY AG716814	
	FOOTNOTE [B]		REPLACED B Y AG121382	
	FOOTNOTE [C]		SEAL KIT - AG716810	
	FOOTNOTE [D]		SEAL KIT - AG716811	
	FOOTNOTE:		AG129642 - ACORN STYLE NUT & 3 ORINGS	
	FOOTNOTE:		ACORN STYLE NUT AND 3 ORINGS TO HOLD COILS ON- AG129642	

WWW-ROLTRONIK-PL



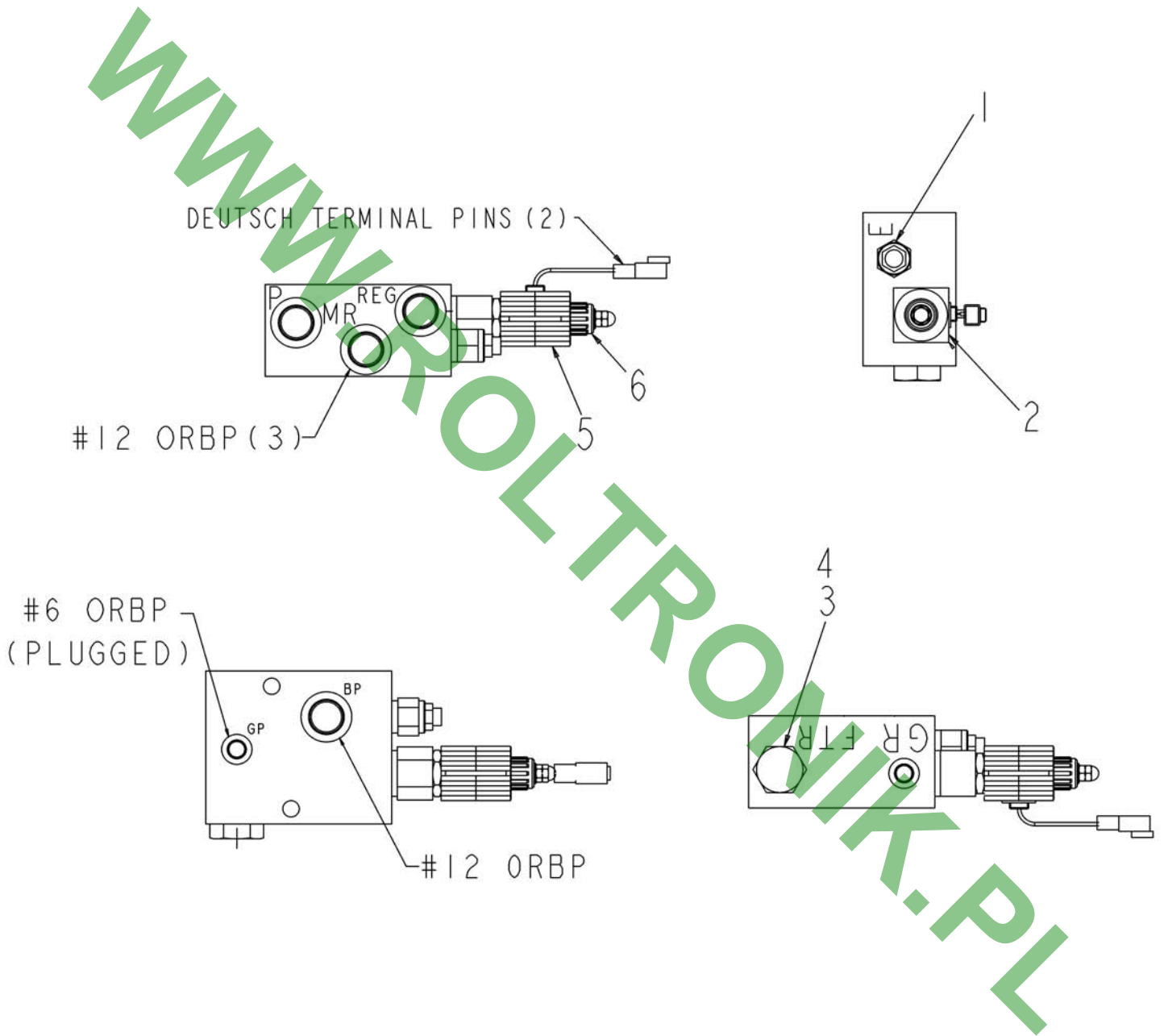
ITEM	PART #	QTY	DESCRIPTION	COMMENTS
REF	AG713670	-	O RING POLY	

WWW.ROLTRONIK.PL



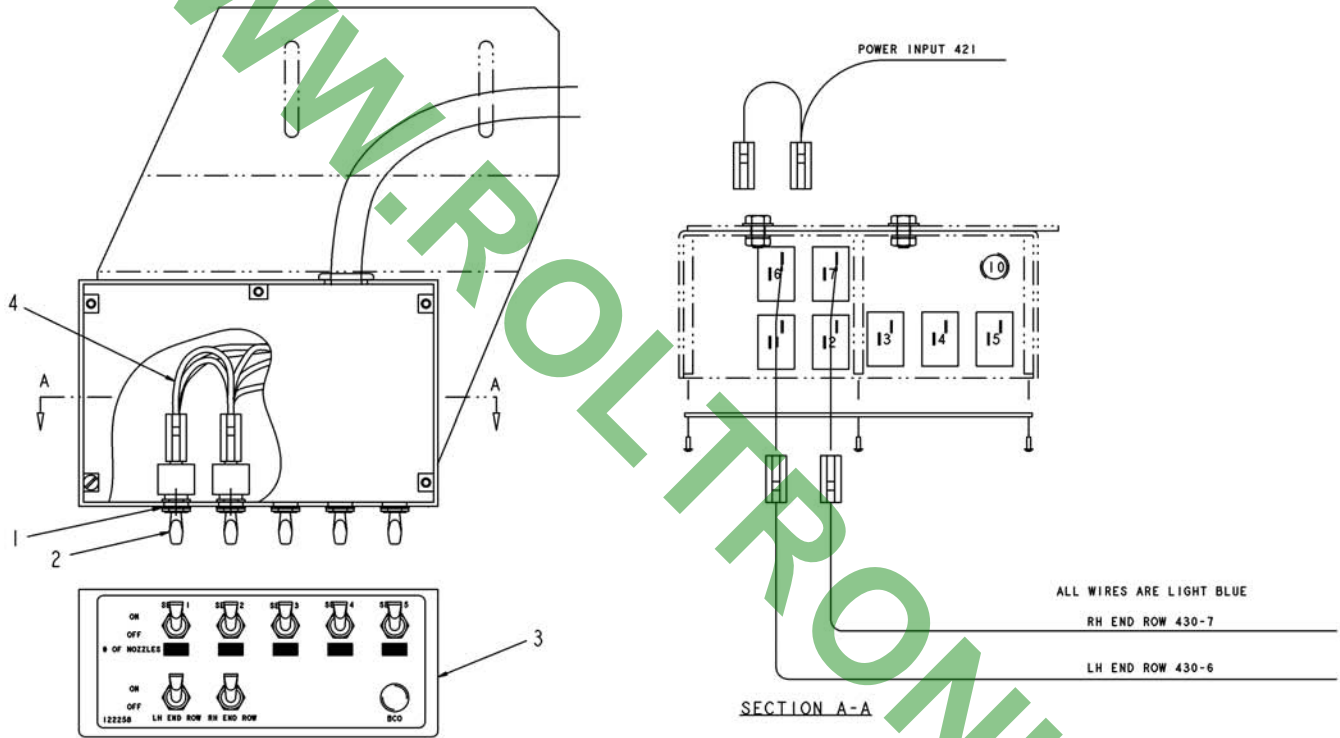
ITEM	PART #	QTY	DESCRIPTION	COMMENTS
1	AG059917	-	VALVE,RELIEF	
2	AG121465	-	VALVE-PROPORTIONAL,15GPM	
3	AG060702	-	COIL	[A]
4	AG726404	-	NUT/COIL (424287)	
	FOOTNOTE [A]		COIL FOR AG424287 AND AG424319. FIRST 20 NAME PLATE SAYS	
	FOOTNOTE:		AG060702 - COIL ONLY, AG726404 - COIL NUT; AG726403 - COIL HOUSING HALF	
	FOOTNOTE:		COIL ONLY- AG060702 COIL NUT- AG726404 COIL HOUSING HALF (2 USED)- AG726403	
	FOOTNOTE:		AG121468 - FILTER ELEMENT, AG059917 - RELIEF VALVE, AG121465 - PROP. VALVE	
	FOOTNOTE:		RELIEF VALVE (RVDA-10-N-S-0-30)- AG059917	
	FOOTNOTE:		PROPORTIONAL VALVE (EHPFD-16-N-15-0-00)- AG121465	

WWW.ROLTRONIK.PL



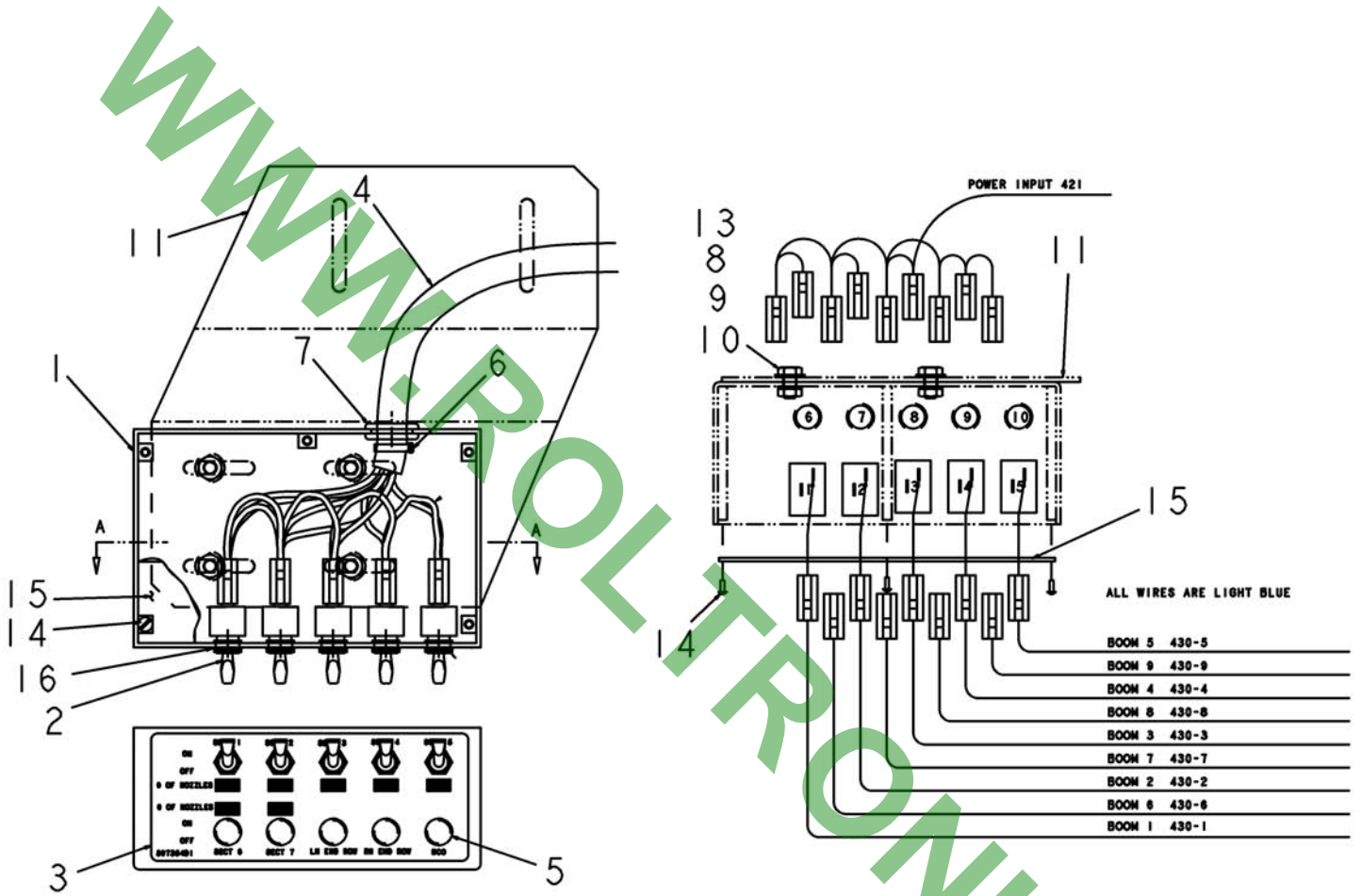
ITEM	PART #	QTY	DESCRIPTION	COMMENTS
1	AG059917	-	VALVE,RELIEF	
2	AG059914	-	PROP PRIORITY FLOW CONTROL	[A]
3	AG060702	-	COIL	[B]
4	AG726404	-	NUT/COIL (424287)	
	FOOTNOTE [A]		USE ON AG446604	
	FOOTNOTE [A]		059916-COIL - COIL IS NOT INCLUDED WITH 059914.	
	FOOTNOTE [B]		COIL FOR AG424287 AND AG424319. FIRST 20 NAME PLATE SAYS	
	FOOTNOTE:		AG060702 - COIL ONLY, AG716404 - COIL NUT, AG726403 - COIL	
	FOOTNOTE:		HOUSING HALF	
	FOOTNOTE:		COIL ONLY- AG060702 COIL NUT- AG726404 COIL HOUSING HALF (2	
	FOOTNOTE:		USED)- AG726403	
	FOOTNOTE:		AG121468 - FILTER ELEMENT, AG059917 - RELIEF VALVE, AG059914 -	
	FOOTNOTE:		PROP. VALVE	

WWW.ROLTRONIK.PL



ITEM	PART #	QTY	DESCRIPTION	COMMENTS
1	AG520326	2	WASHER-LK,.47,INT TOOTH	
2	AG518707	2	SWITCH ELECT SPST BAT HANDLE	
3	AG121868	-	SWITCHBOX ASM-BOOM CTRL,8/1064	SEE PAGE 6-2
4	507356D1	-	HARN-SWITCHBOX,7SECT,8/10X4	

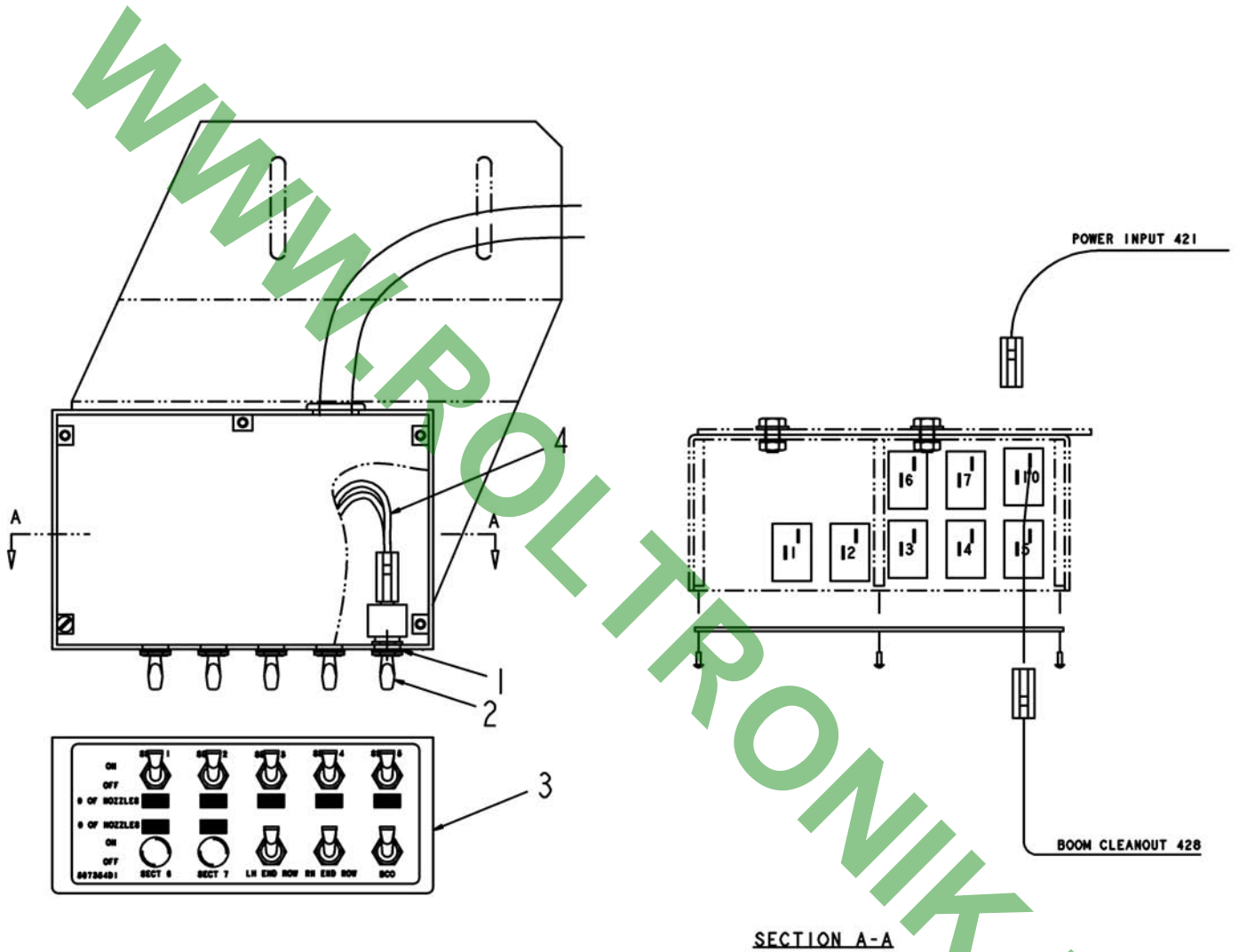
WWW.ROLTRONIK.PL



SECTION A-A

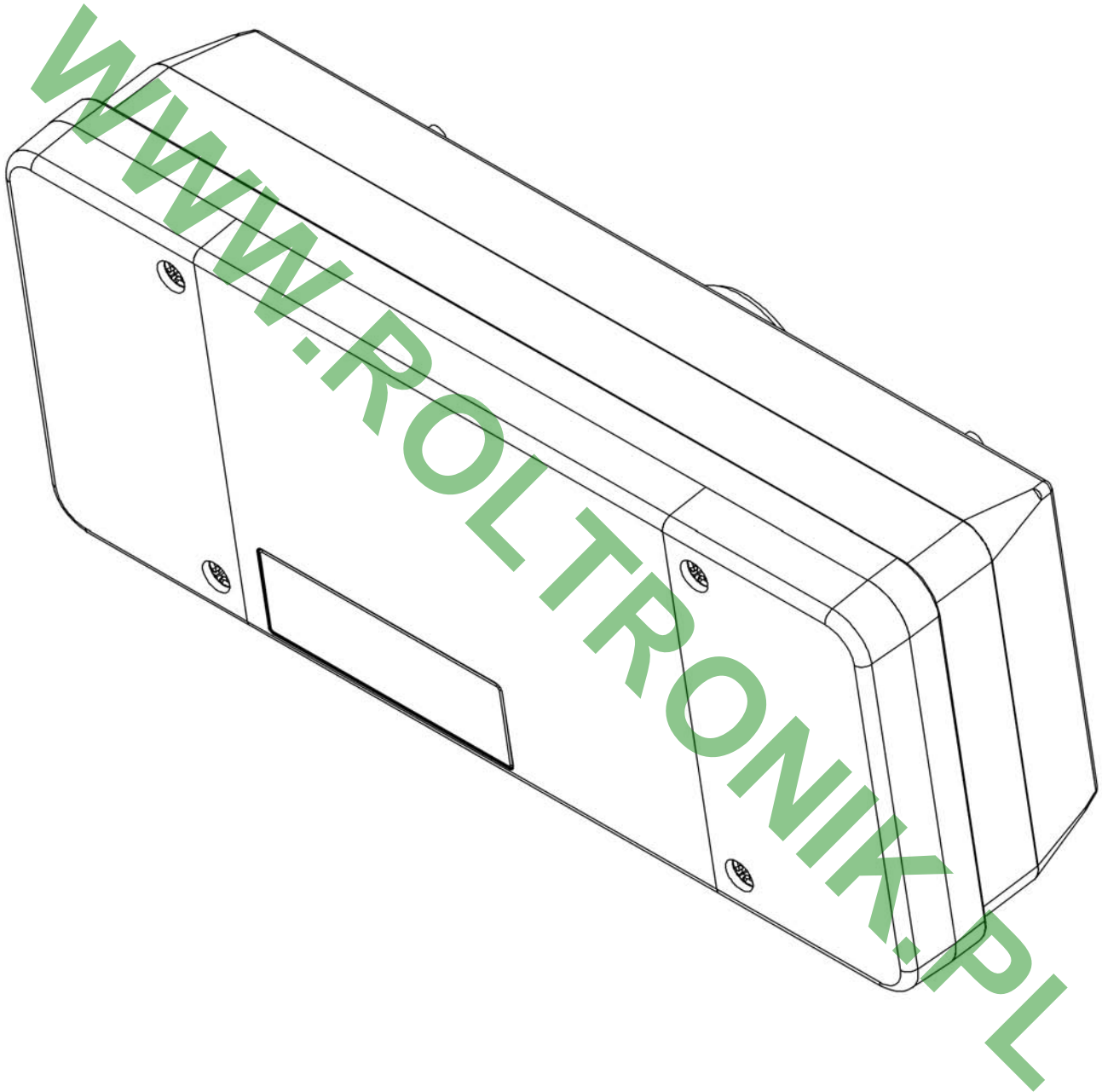
ITEM	PART #	QTY	DESCRIPTION	COMMENTS
1	AG235467	1	CONTROL BOX	
2	AG518707	5	SWITCH ELECT SPST BAT HANDLE	
3	507354D1	1	DECAL-SWITCHBOX,7SECT,8/10X4	
4	507356D1	1	HARN-SWITCHBOX,7SECT,8/10X4	
5	AG562251	5	PLUG BLACK 0.50 PLASTIC	
6	AG553557	1	TIE CABLE 7.37 .06-1.37 BLACK	
7	AG515310	1	GROMMET .75ID X1.0 GROOVE DIA	
8	AG562047	4	BOLT 0.25-20NCX 0.50 S.S. HHD	
9	AG515122	4	WASHER LK 0.25 SS REG	
10	AG515123	4	NUT 0.25-20NC HEX SS REG	
11	AG231940	1	BRACKET,SWITCH	
13	AG515121	4	WASHER 0.25 FL SS REG	
14	AG029233	5	SCREW MACH RDHD SL ZN 8-32X.50	
15	AG322370	1	COVER	
16	AG520326	5	WASHER-LK, .47,INT TOOTH	

WWW.ROLTRONIK.PL

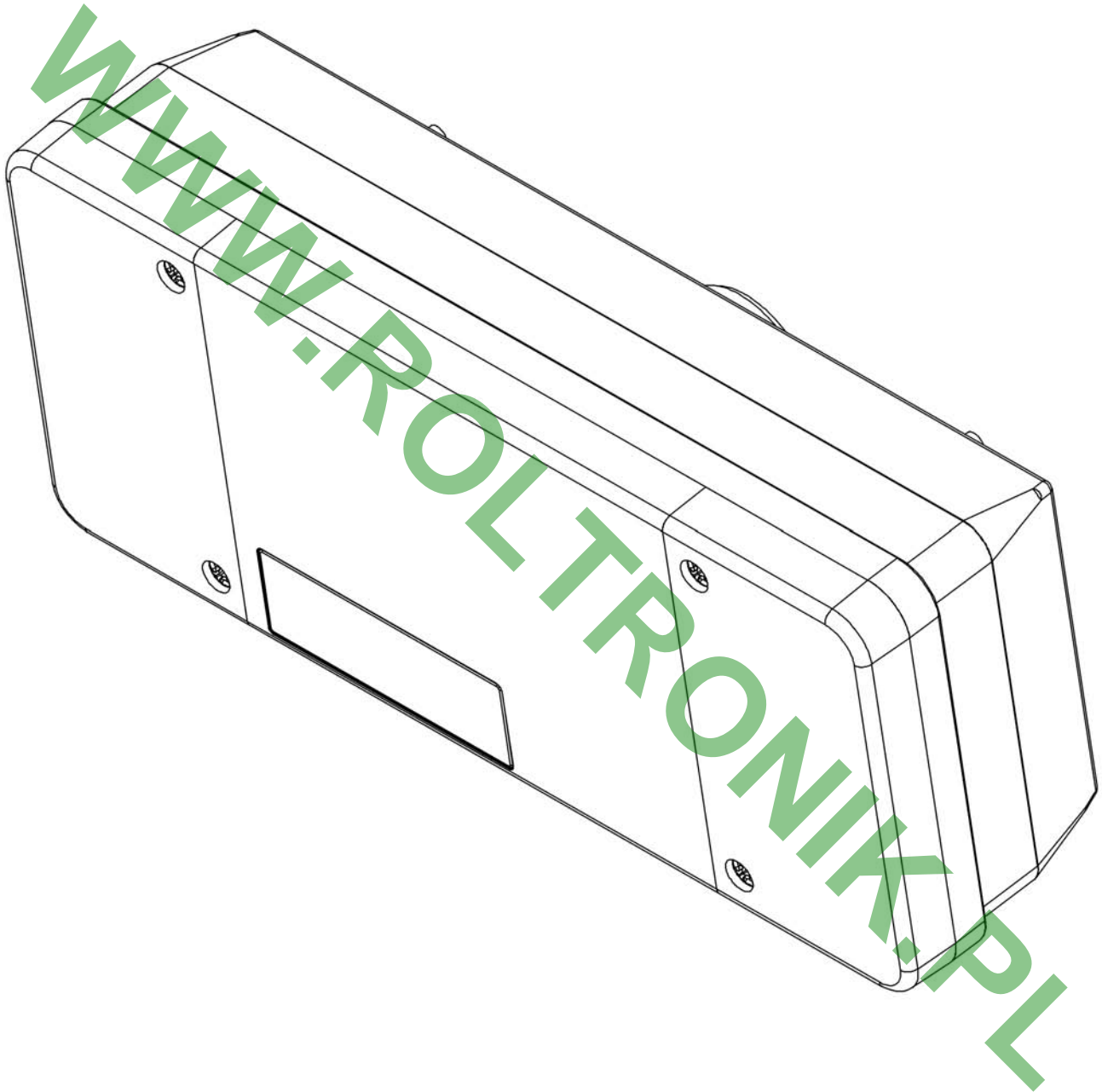


ITEM	PART #	QTY	DESCRIPTION	COMMENTS
1	AG520326	2	WASHER-LK,.47,INT TOOTH	
2	AG518707	2	SWITCH ELECT SPST BAT HANDLE	
3	AG121868	-	SWITCHBOX ASM-BOOM CTRL,8/1064	SEE PAGE 6-2
4	507356D1	-	HARN-SWITCHBOX,7SECT,8/10X4	
5	AG420264	1	ARMREST RWK	SEE PAGE 7-3

WWW.ROLTRONIK.PL

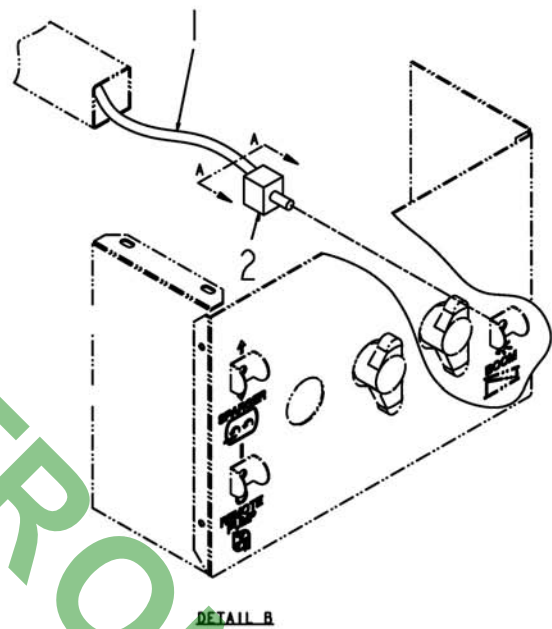
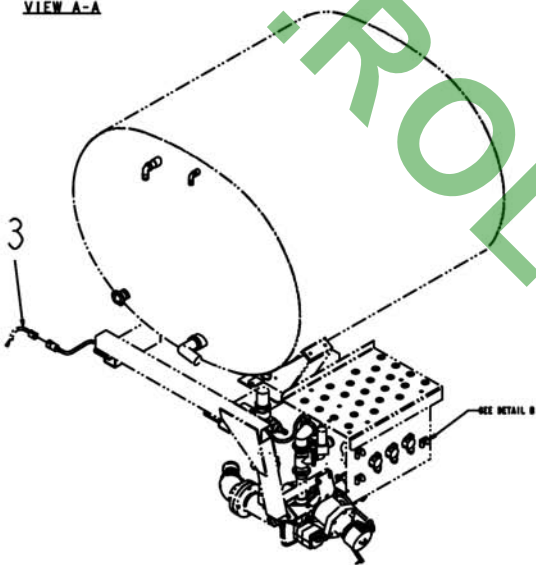
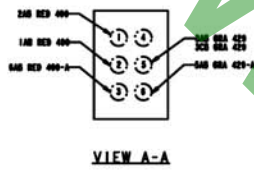


ITEM	PART #	QTY	DESCRIPTION	COMMENTS
REF	AG515122	1	WASHER LK 0.25 SS REG	
REF	AG562327	1	BOLT M6-1.00X20MM G8.8 ZN HDD	
REF	AG562793	1	NUT HEX M6 X 1.00	
REF	AG711448	1	LENS RH 516567	[A]
REF	AG714828	1	BULB 12V 21W	
REF	AG719528	1	LENS GASKET (516567&516568)	
REF	AG834159	1	BULB (516567-516568) 12-5W	
	FOOTNOTE [A]		LENS GASKET - AG719528	
	FOOTNOTE:		FOR REPLACEMENT METRIC NUT USE AG562793	
	FOOTNOTE:		FOR REPLACEMENT LOCK WASHER USE AG515122	
	FOOTNOTE:		FOR REPLACEMENT METRIC BOLT USE AG562327	
	FOOTNOTE:		FOR REPLACEMENT LENS USE AG711448	
	FOOTNOTE:		FOR REPLACEMENT LENS GASKET USE AG719528	
	FOOTNOTE:		FOR REPLACEMENT 5W BULB USE AG834159	
	FOOTNOTE:		FOR REPLACEMENT HOLDER BRACKET USE AG225428 RIGHT AND LEFT	
	FOOTNOTE:		AG714828-BULB 21W, SEE PARTS BULLETIN 00397	
	FOOTNOTE:		HOLDER BRKT P/N AG225428 FOR BOTH RH & LH	
	FOOTNOTE:		LEFT HAND CLUSTER IS AG516568	



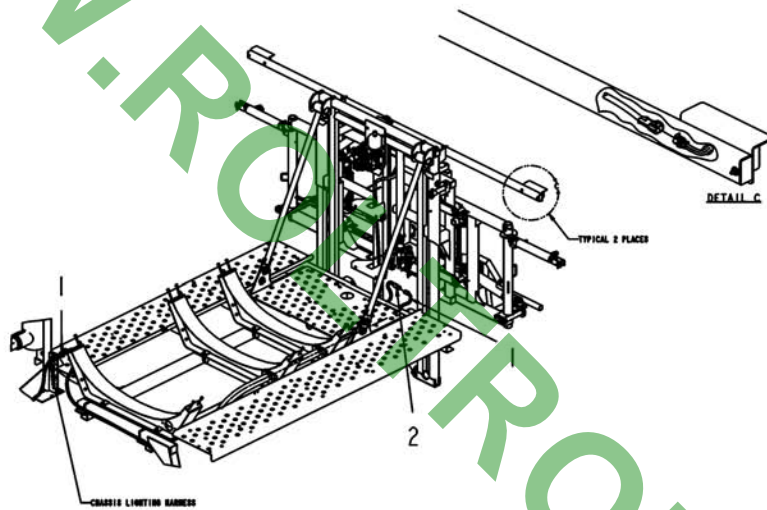
ITEM	PART #	QTY	DESCRIPTION	COMMENTS
REF	AG515122	1	WASHER LK 0.25 SS REG	
REF	AG562327	1	BOLT M6-1.00X20MM G8.8 ZN HHD	
REF	AG562793	1	NUT HEX M6 X 1.00	
REF	AG711448	1	LENS RH 516567	[A]
REF	AG714828	1	BULB 12V 21W	
REF	AG719528	1	LENS GASKET (516567&516568)	
REF	AG834159	1	BULB (516567-516568) 12-5W	
	FOOTNOTE [A]		LENS GASKET - AG719528	
	FOOTNOTE:		FOR REPLACEMENT LENS USE AG711449	
	FOOTNOTE:		FOR REPLACEMENT GASKET LENS COVER USE AG719528	
	FOOTNOTE:		AG562793-METRIC NUT, AG515122-LOCK WASHER, AG562327-METRIC BOLT	
	FOOTNOTE:		21W BULB AG714828, SEE PARTS BULLETIN 000397	
	FOOTNOTE:		HOLDER BRKT PART NUMBER 225428 FOR BOTH LH & RH	
	FOOTNOTE:		RIGHT HAND CLUSTER IS AG516567	

WWW.ROLTRONIK.PL



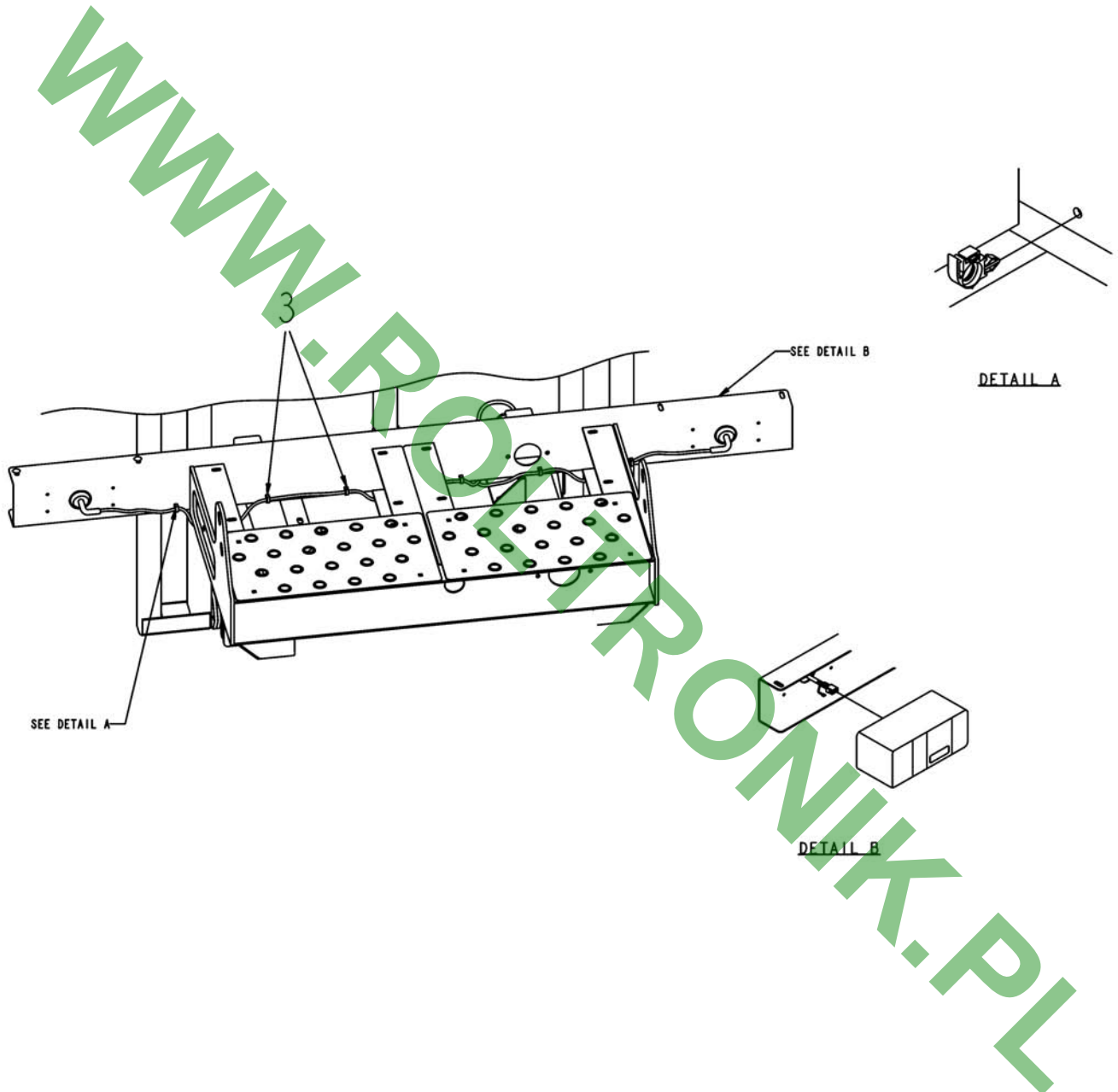
ITEM	PART #	QTY	DESCRIPTION	COMMENTS
1	AG424056	1	HARNES-SWITCH,HV/STD	
2	AG515044	1	SWITCH TOGGLE 2POS 2POLE ONON	[A]
3	AG504293	-	HARNES-PRODUCT CONTROL(SYS)	
	FOOTNOTE [A]		REWORK POTTING BOX- AG231866	

WWW.ROLTRONIK.PL



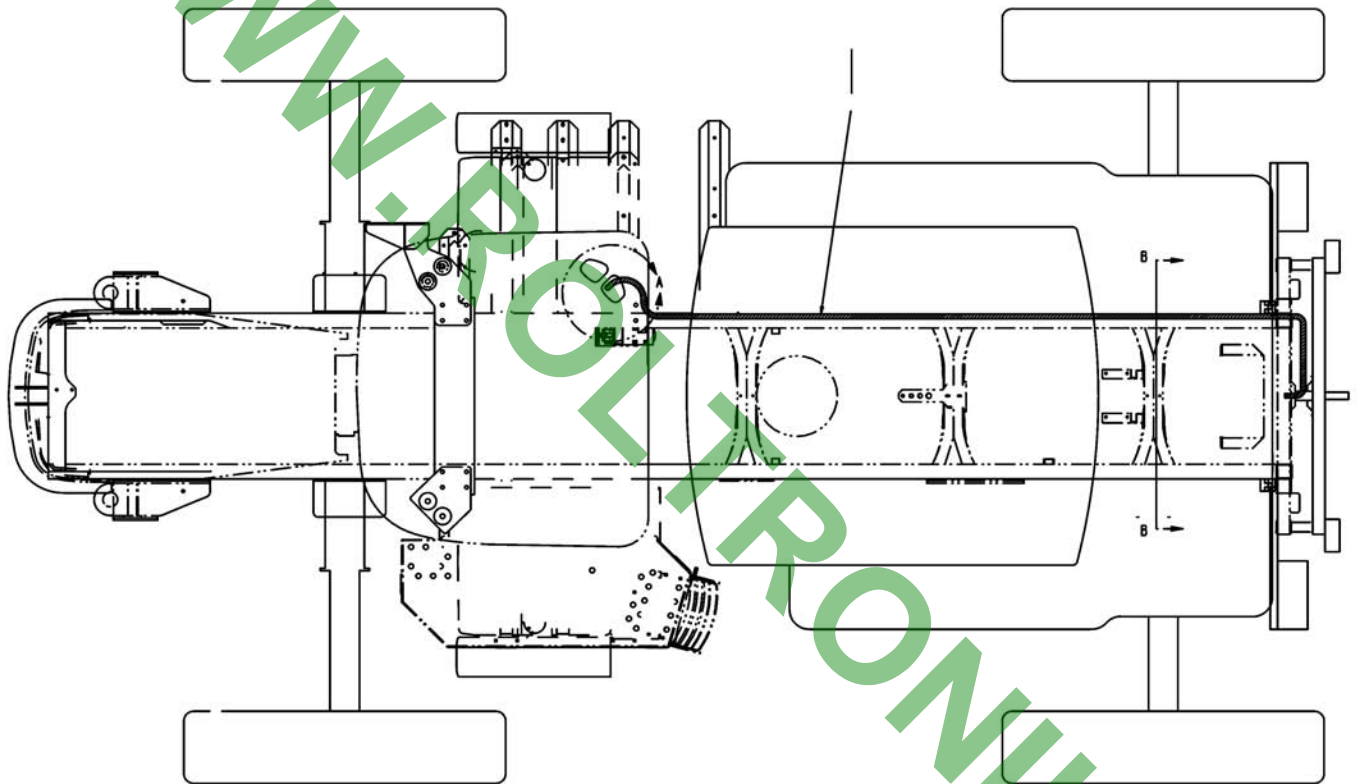
ITEM	PART #	QTY	DESCRIPTION	COMMENTS
1	AG124036	1	HARNES-LIGHT,LIQ SYS	
2	AG424336	1	HARNES-WARNING LIGHT,LIQ	
3	AG524001	6	CLIP-ROSEBUD,.350	

WWW.ROLTRONIK.PL



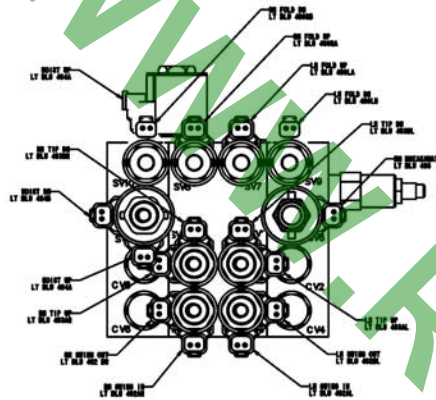
ITEM	PART #	QTY	DESCRIPTION	COMMENTS
1	AG124036	1	HARNES-LIGHT,LIQ SYS	
2	AG424336	1	HARNES-WARNING LIGHT,LIQ	
3	AG524001	6	CLIP-ROSEBUD,.350	

WWW.ROLTRONIK.PL

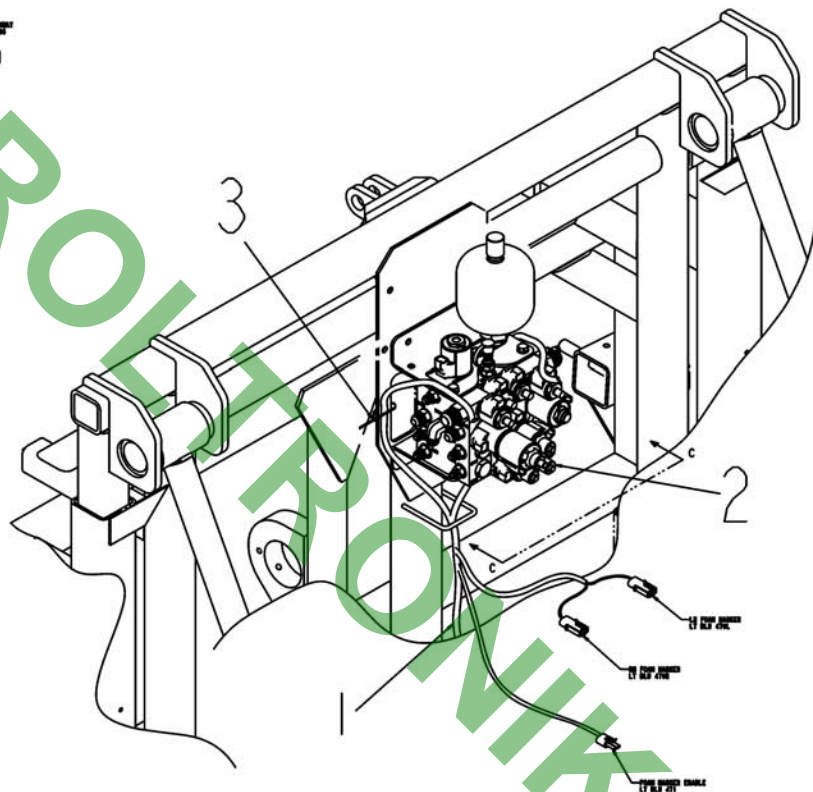


ITEM	PART #	QTY	DESCRIPTION	COMMENTS
1	AG504291	1	HARNES-BM,F/M(SYS)	
2	AG327802	-	BLOCK ASM-HYD,BOOM	SEE PAGE 5-7
3	AG554278	2	TIE CABLE 11.0 .06-3.06 BLACK	

WWW.ROLTRONIK.PL



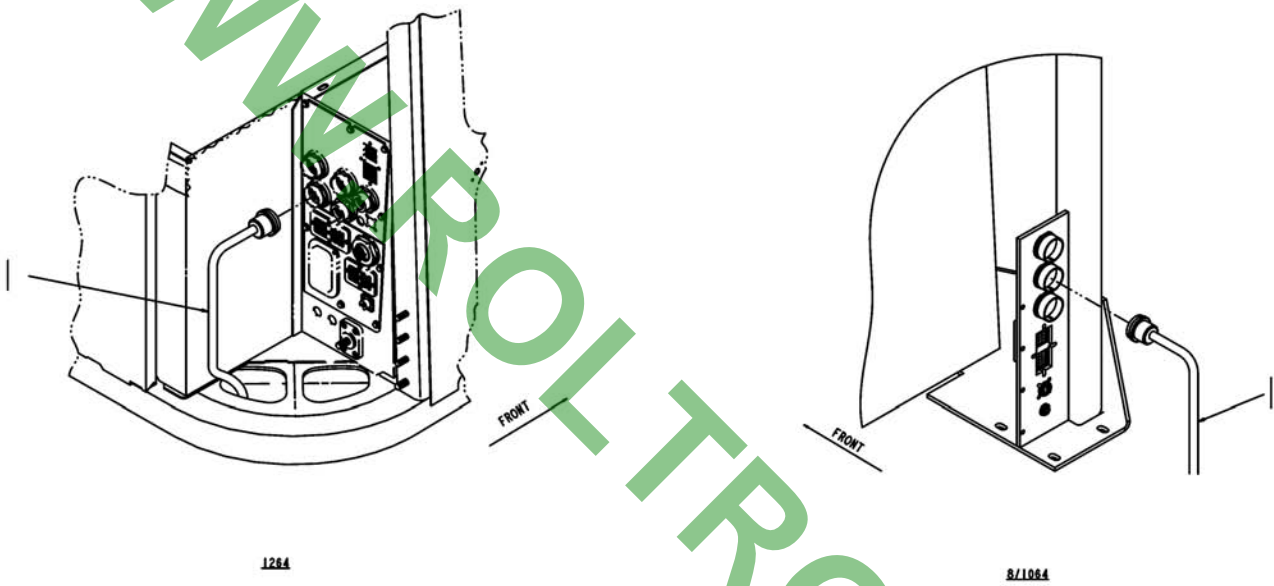
VIEW C-C



VIEW B-B

ITEM	PART #	QTY	DESCRIPTION	COMMENTS
1	AG504291	1	HARNES-BM,F/M(SYS)	
2	AG327802	-	BLOCK ASM-HYD,BOOM	SEE PAGE 5-7
3	AG554278	2	TIE CABLE 11.0 .06-3.06 BLACK	

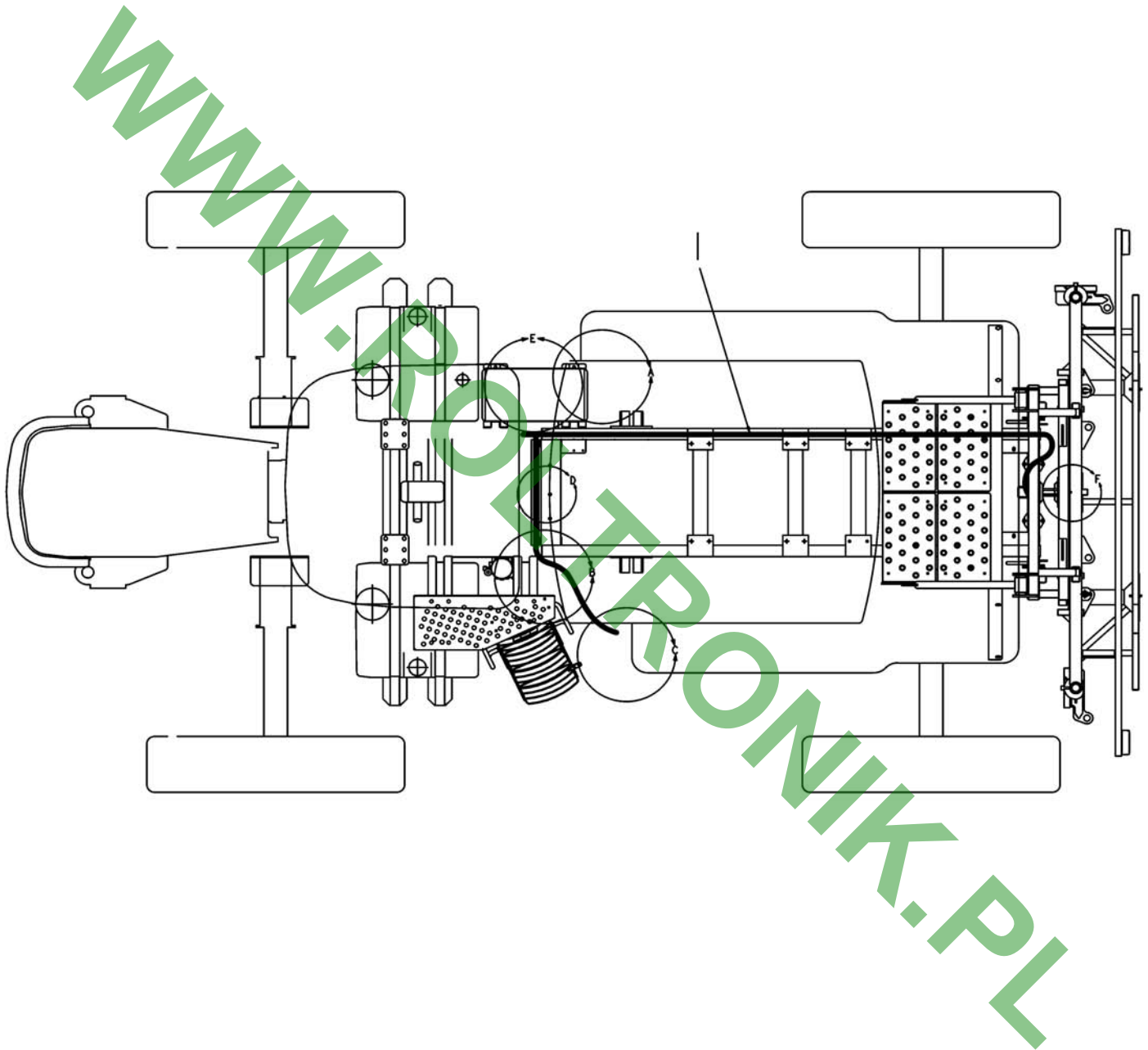
WWW.ROLTRONIK.PL



DETAIL A

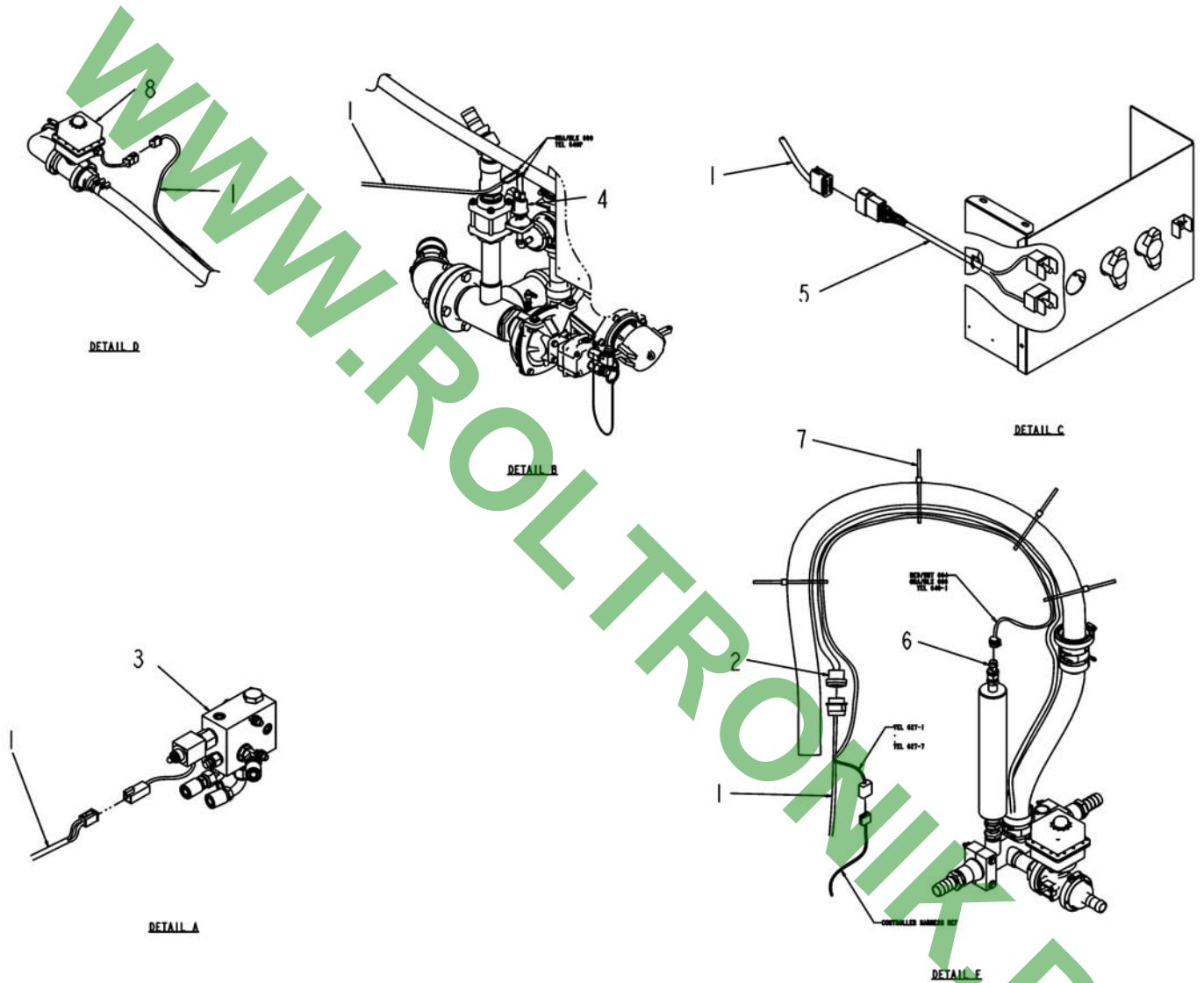
ITEM	PART #	QTY	DESCRIPTION	COMMENTS
1	AG504291	1	HARNESS-BM,F/M(SYS)	
2	AG327802	-	BLOCK ASM-HYD,BOOM	SEE PAGE 5-7
3	AG554278	2	TIE CABLE 11.0 .06-3.06 BLACK	

WWW.ROLTRONIK.PL



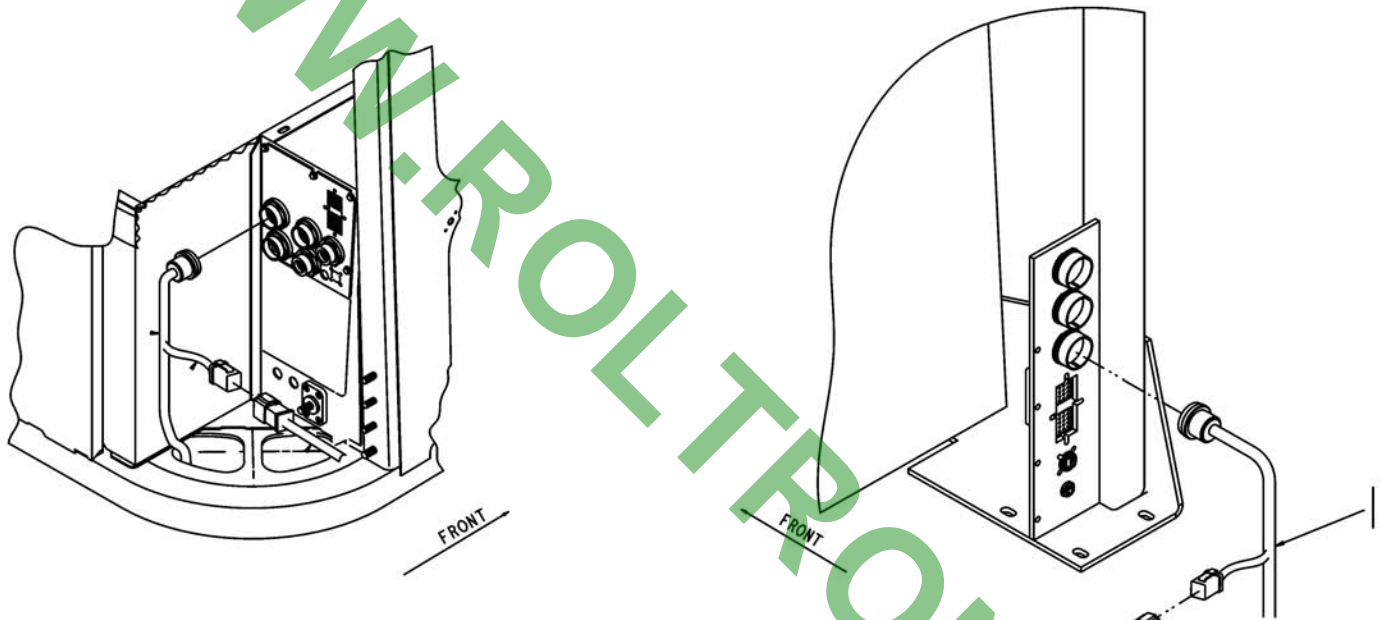
ITEM	PART #	QTY	DESCRIPTION	COMMENTS
1	AG504293	1	HARNESS-PRODUCT CONTROL(SYS)	
2	AG504299	-	HARNESS-ELEC BM SECT VLV(SYS)	
3	AG424287	-	VALVE-HYD,PWM,LIQ SYS,15 GPM	SEE PAGE 5-41
4	AG521017	-	SENDER-PRESSURE,0-150PSI,GRD	
5	AG327762	1	SWITCH INSTL-PUMP/SPARGER	SEE PAGE 6-10
6	AG524270	-	TRANSDUCER-PRES,150 PSI,(MV)	
7	AG554278	4	TIE CABLE 11.0 .06-3.06 BLACK	
8	AG523925	-	VALVE-ELEC,REG,2.0FLGX1.0FNPT	SEE PAGE 2-7

WWW.ROLTRONIK.PL



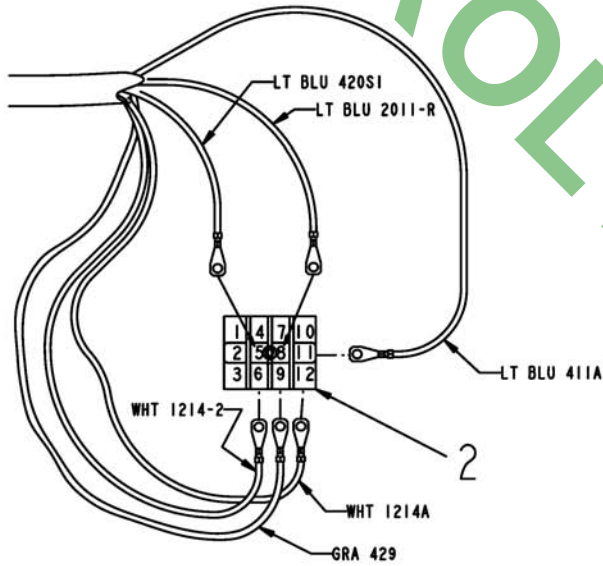
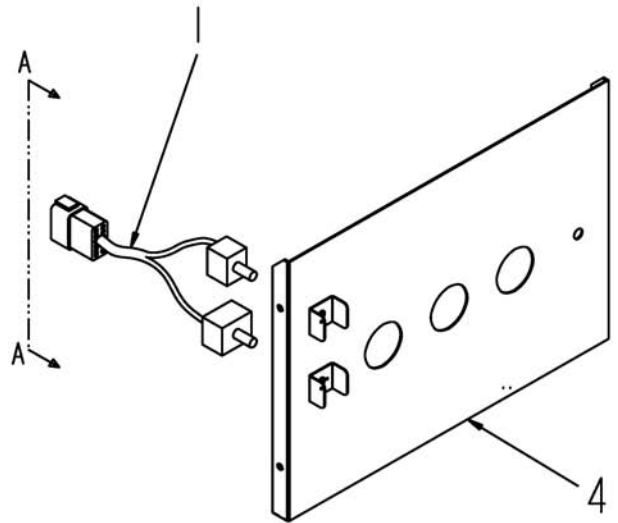
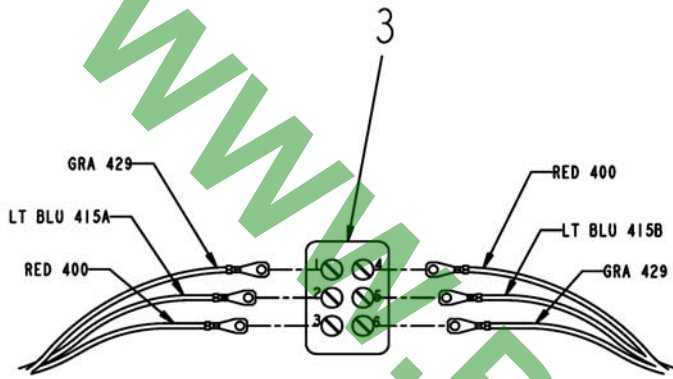
ITEM	PART #	QTY	DESCRIPTION	COMMENTS
1	AG504293	1	HARNESS-PRODUCT CONTROL(SYS)	
2	AG504299	-	HARNESS-ELEC BM SECT VLV(SYS)	
3	AG424287	-	VALVE-HYD,PWM,LIQ SYS,15 GPM	SEE PAGE 5-41
4	AG521017	-	SENDER-PRESSURE,0-150PSI,GRD	
5	AG327762	1	SWITCH INSTL-PUMP/SPARGER	SEE PAGE 6-10
6	AG524270	-	TRANSDUCER-PRES,150 PSI,(MV)	
7	AG554278	4	TIE CABLE 11.0 .06-3.06 BLACK	
8	AG523925	-	VALVE-ELEC,REG,2.0FLGX1.0FNPT	SEE PAGE 2-7

WWW.ROLTRONIK.PL



ITEM	PART #	QTY	DESCRIPTION	COMMENTS
1	AG504293	1	HARNESS-PRODUCT CONTROL(SYS)	
2	AG504299	-	HARNESS-ELEC BM SECT VLV(SYS)	
3	AG424287	-	VALVE-HYD,PWM,LIQ SYS,15 GPM	SEE PAGE 5-41
4	AG521017	-	SENDER-PRESSURE,0-150PSI,GRD	
5	AG327762	1	SWITCH INSTL-PUMP/SPARGER	SEE PAGE 6-10
6	AG524270	-	TRANSDUCER-PRES,150 PSI,(MV)	
7	AG554278	4	TIE CABLE 11.0 .06-3.06 BLACK	
8	AG523925	-	VALVE-ELEC,REG,2.0FLGX1.0FNPT	SEE PAGE 2-7

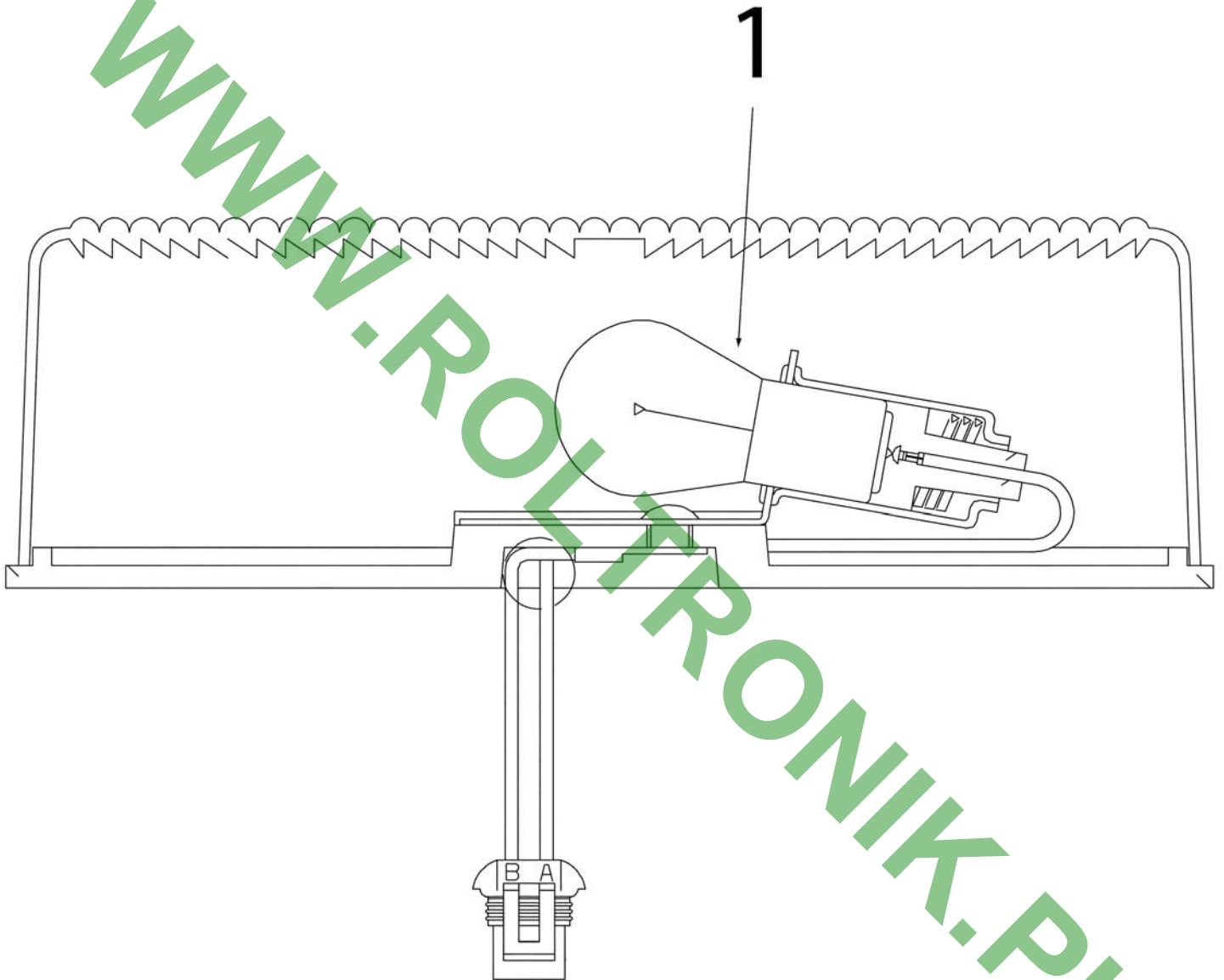
WWW.ROLTRONIK.PL



VIEW A-A

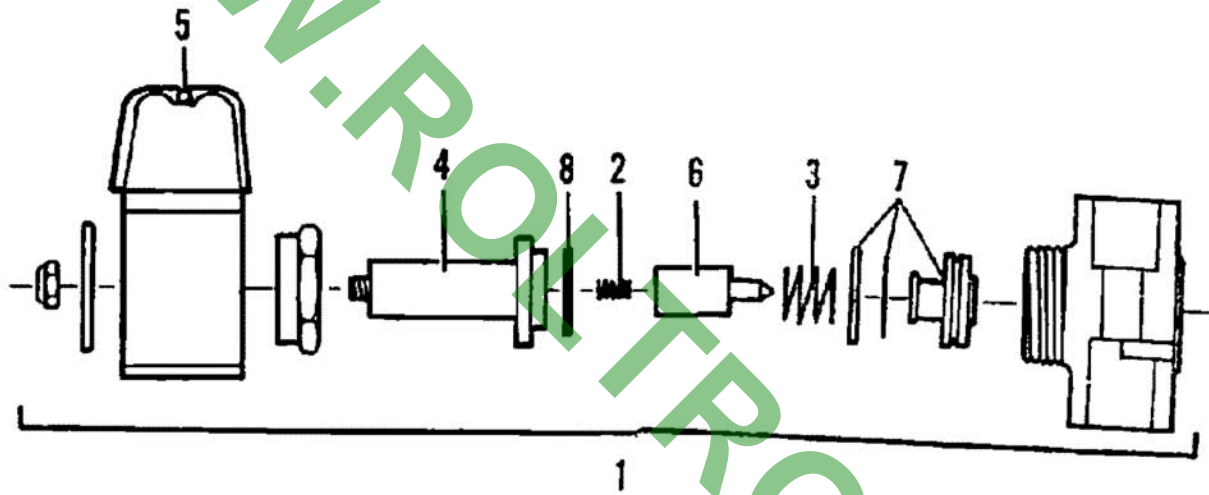
ITEM	PART #	QTY	DESCRIPTION	COMMENTS
1	AG327737	1	HARNES-REMOTE RELOAD,SPARGE	
2	AG521890	1	SWITCH-ELECT,4PDT,ON-ON	
3	AG520697	1	SWITCH-TOGGLE,ELEC	
4	AG327860	-	PANEL WLDMT-COVER,MANIFOLD	

WWW.ROLTRONIK.PL



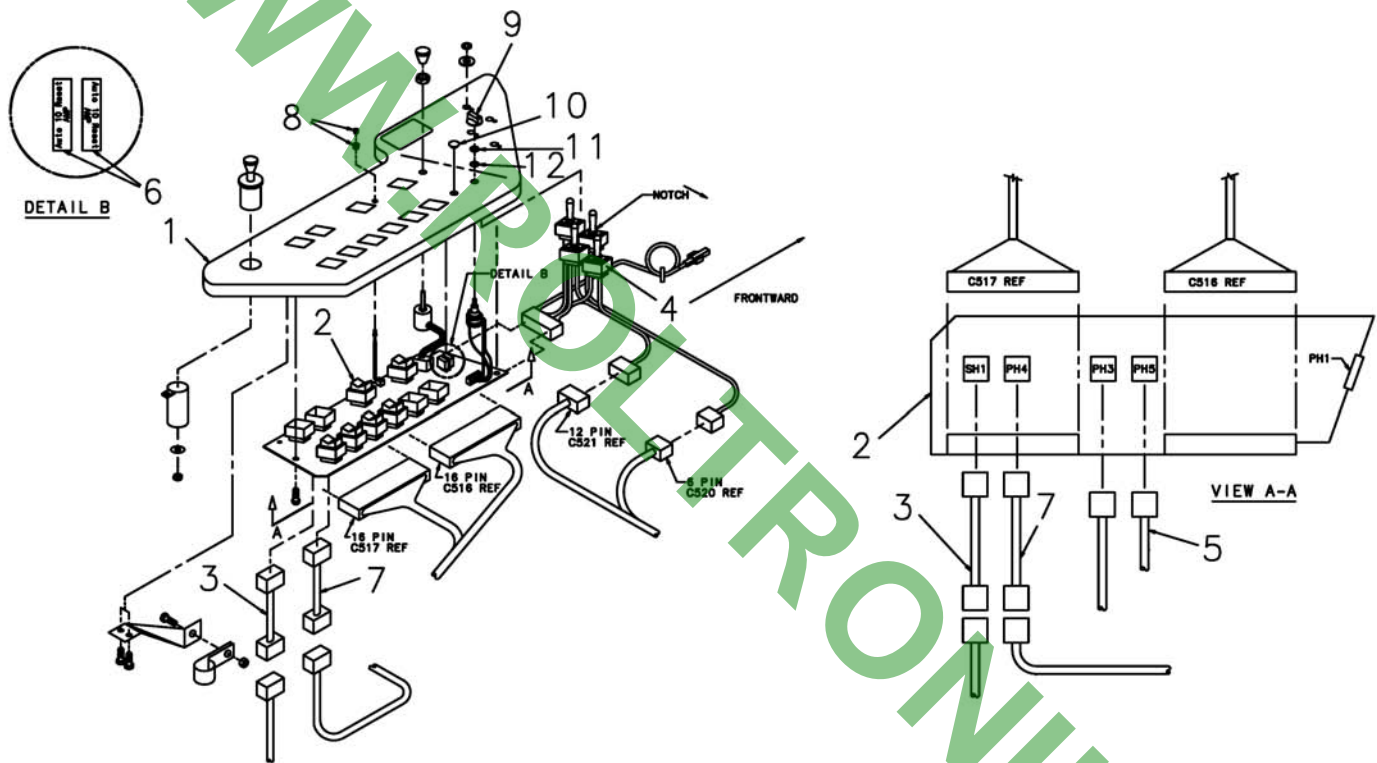
ITEM	PART #	QTY	DESCRIPTION	COMMENTS
1	AG721040 FOOTNOTE:	1	BULB FRONT #1156 TURN SIGNAL BULB ONLY - AG721040,	

WWW.ROLTRONIK.PL



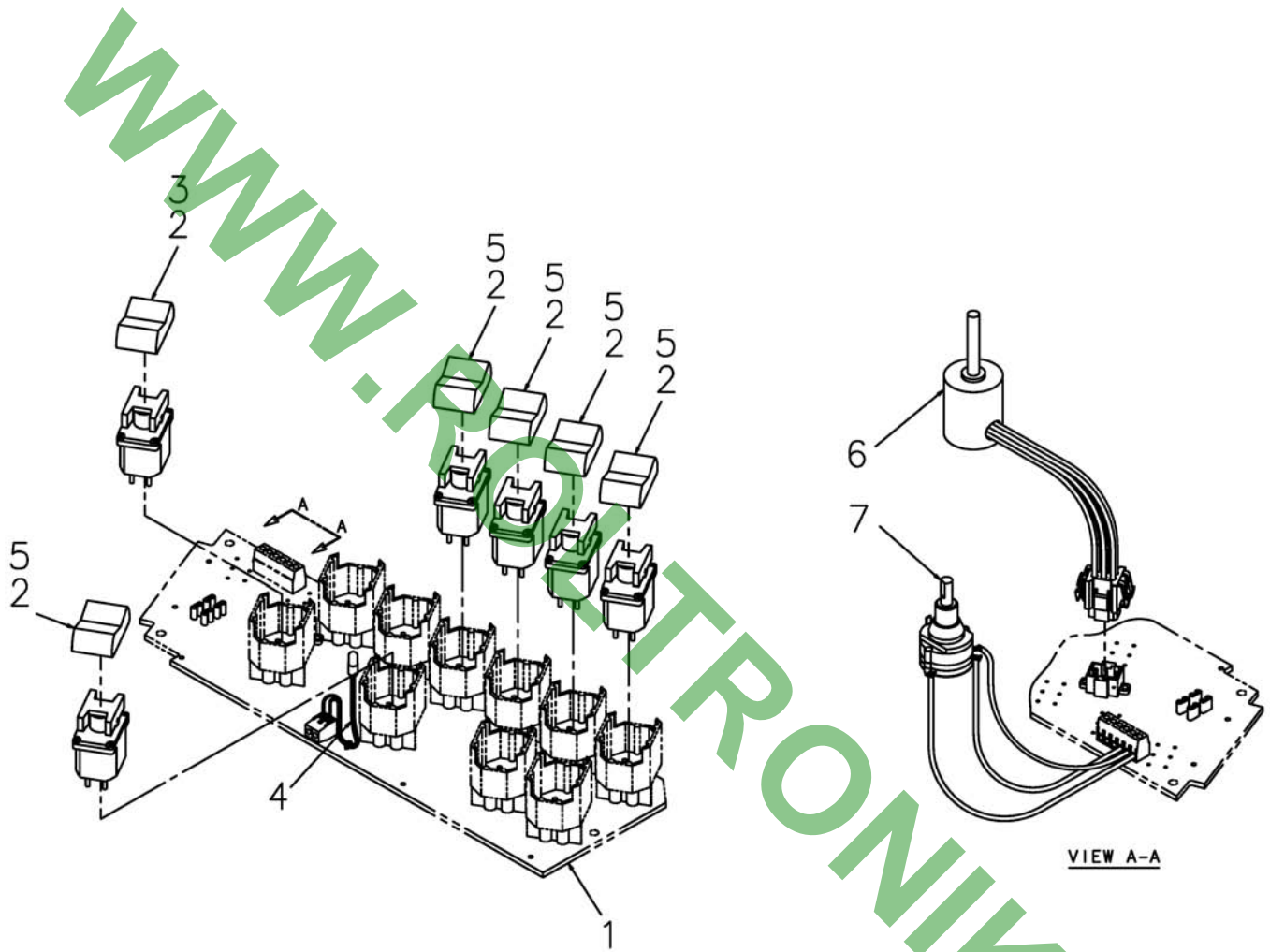
ITEM	PART #	QTY	DESCRIPTION	COMMENTS
2	AG701012	1	SPRING PLUNGER (514014)	
3	AG701015	1	SPRING PISTON (514014)	
4	AG701016	1	TUBE & O-RING ENCLOSING(514014	
5	AG701011	1	ASM COIL 12 VOLT (514014)	
6	AG701013	1	ASM PLUNGER (514014)	
7	AG701014	1	ASM PISTON (514014)	
8	AG701010	1	O-RING TUBE ASSY (514014)	
	FOOTNOTE:		AG701011-COIL, AG701016-TUBE ASM. W/ ORING, AG701010-ORING ONLY, AG056718 - R/K	
	FOOTNOTE:		AG701012-PLUNGER SPRING, AG701013-PLUNGER ASM., AG701015-PISTON SPRING,	

WWW.ROLTRONIK.PL



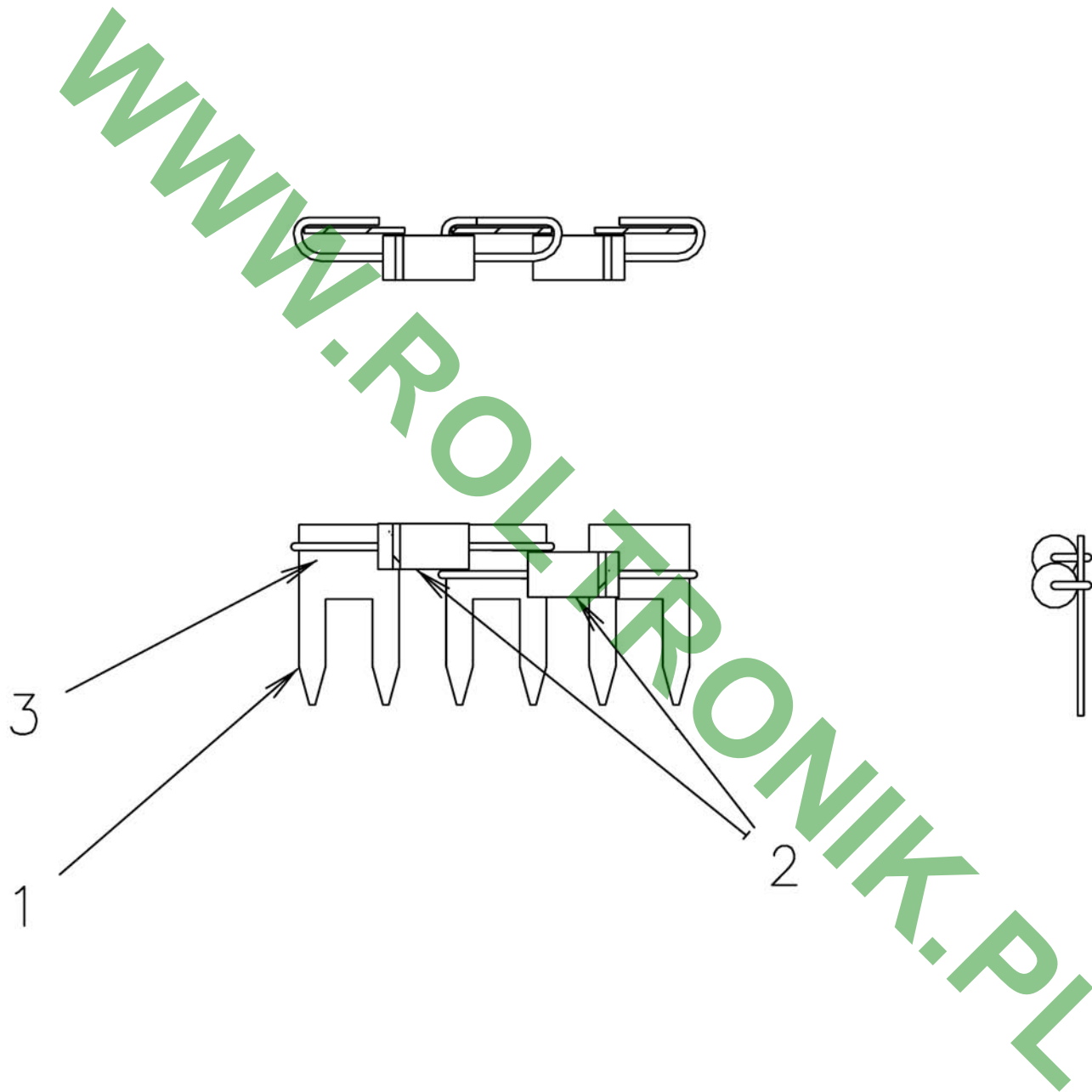
ITEM	PART #	QTY	DESCRIPTION	COMMENTS
2	AG420189	1	PC BOARD ASM-ARMREST	SEE PAGE 6-14
3	AG322563	1	HARNESS-EXTENSION	
4	AG420185	1	HARNESS-TRACK ADJUST	
5	AG322712	1	HARNESS-RADAR & SWITCH BOX PWR	
6	AG520296	2	CIRCUIT BREAKER-10A CYCLING	
7	AG322562	1	HARNESS-EXTENSION	
8	AG517421	1	LENS/BUSHING ASM	
9	AG520559	1	KNOB-POINTER	
10	AG562251	1	PLUG BLACK 0.50 PLASTIC	
11	AG520327	1	NUT-.47-32UNS,HEX,BLK	
12	AG520326	1	WASHER-LK,.47,INT TOOTH	

WWW.ROLTRONIK.PL



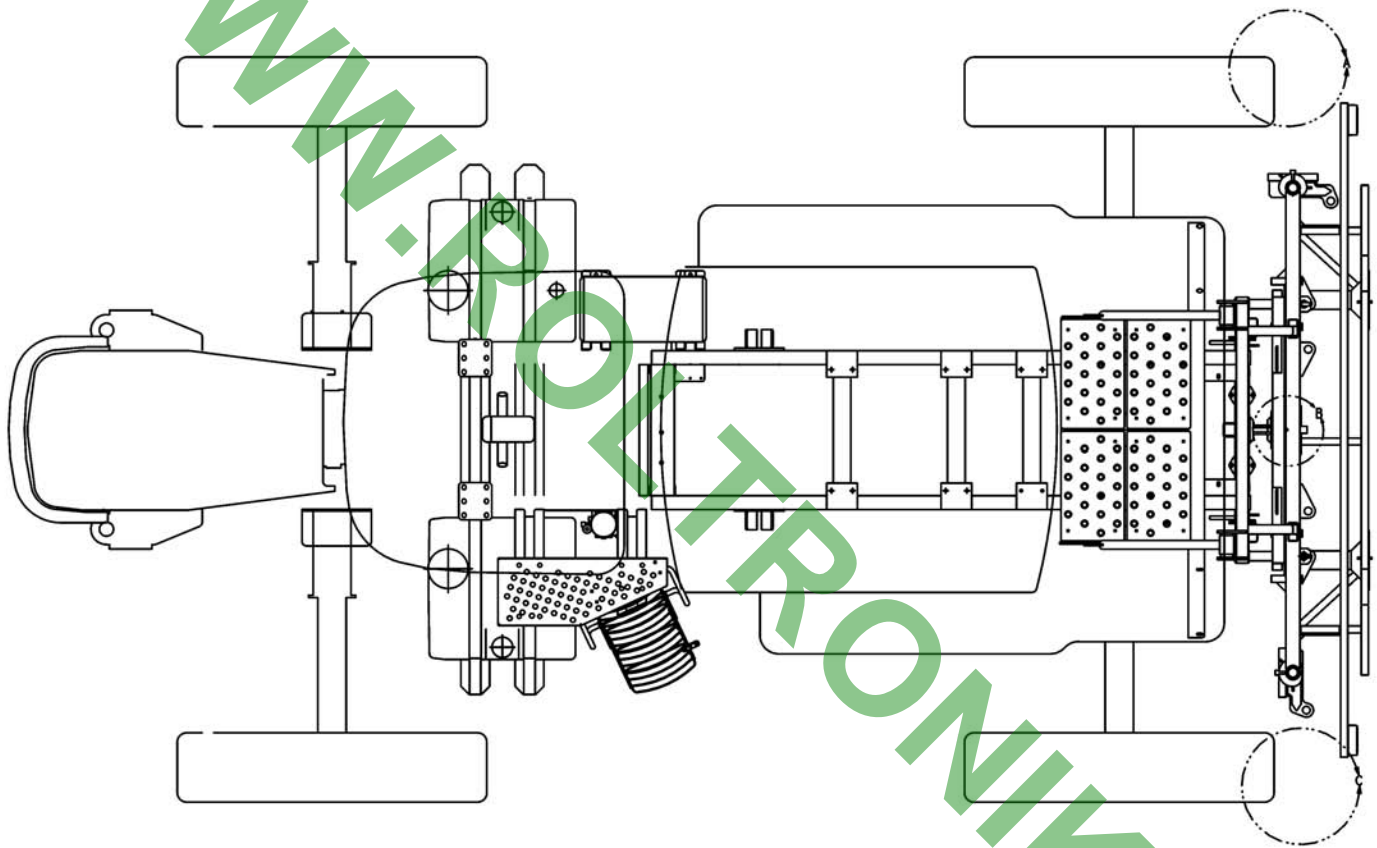
ITEM	PART #	QTY	DESCRIPTION	COMMENTS
1	AG520222	1	CIRCUIT BOARD ARMREST	
2	AG518088	-	ROCKER COVER BLANK	
3	AG609557	-	SWITCH-DPDT CTR OFF MOM,RKR	
4	AG517420	1	LAMP 12VDC TYPE F614	[A]
5	AG609555	-	SWITCH-DPDT CTR OFF MOM,RKR	[B]
6	AG609556	-	SWITCH ARMREST SAFETY	
7	AG235928	1	SWITCH ASM-SPEED ADJUST	[C]
	FOOTNOTE [A]		PUMP LIGHT ON ARM REST OF 97 AND UP ROGATOR.	
	FOOTNOTE [B]		LEFT AND RIGHT BOOM SWING SWITCH, AG518088 ROCKER COVER BLANK	
	FOOTNOTE [C]		KNOB FOR SWITCH - AG520559	
	FOOTNOTE:		AG520222 - BOARD ONLY	

WWW.ROLTRONIK.PL



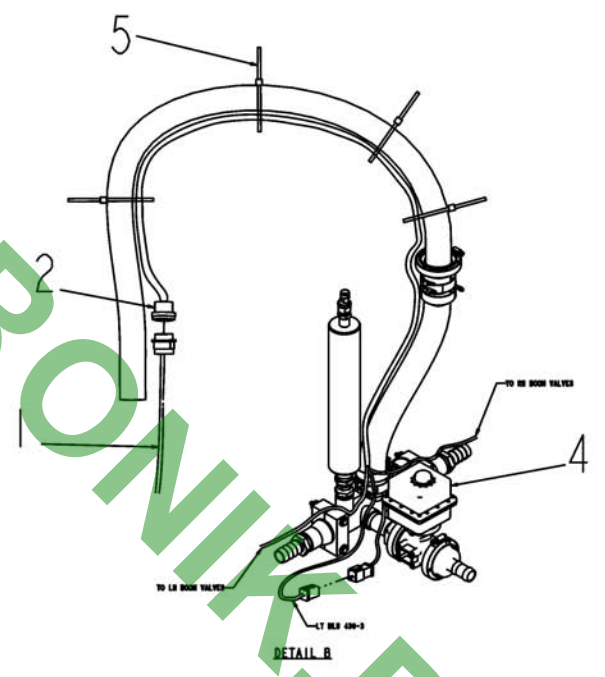
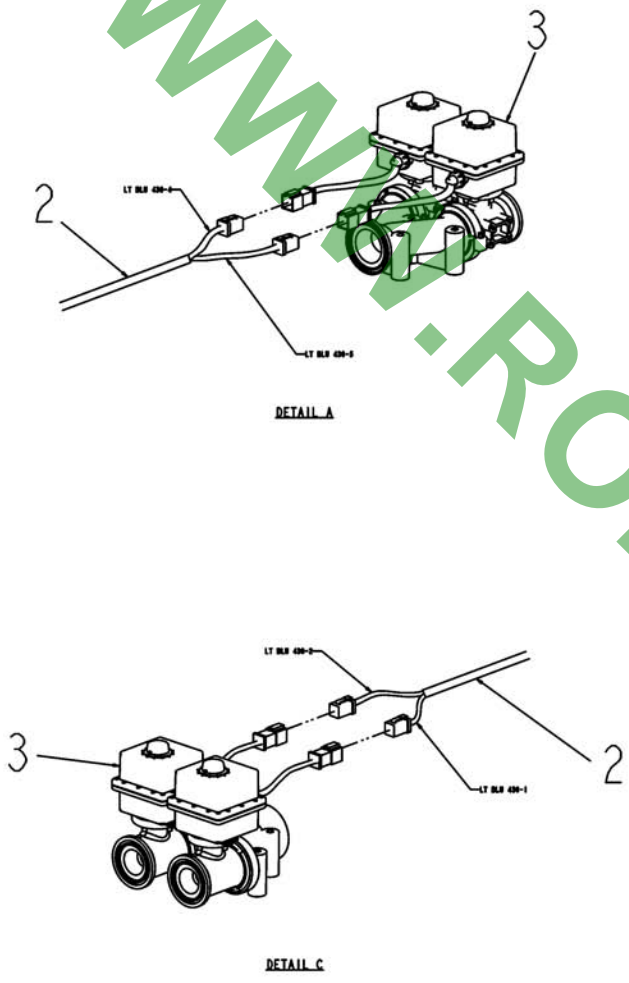
ITEM	PART #	QTY	DESCRIPTION	COMMENTS
1	AG519702	3	BUSS BAR-2 GANG SPLICE PACK	
2	AG519236	2	DIODE 3A 1000 PIV AXIAL LEAD	
3	AG519757	AR	SOLDER H2O SOLUBLE FLUX CORE	

WWW.ROLTRONIK.PL



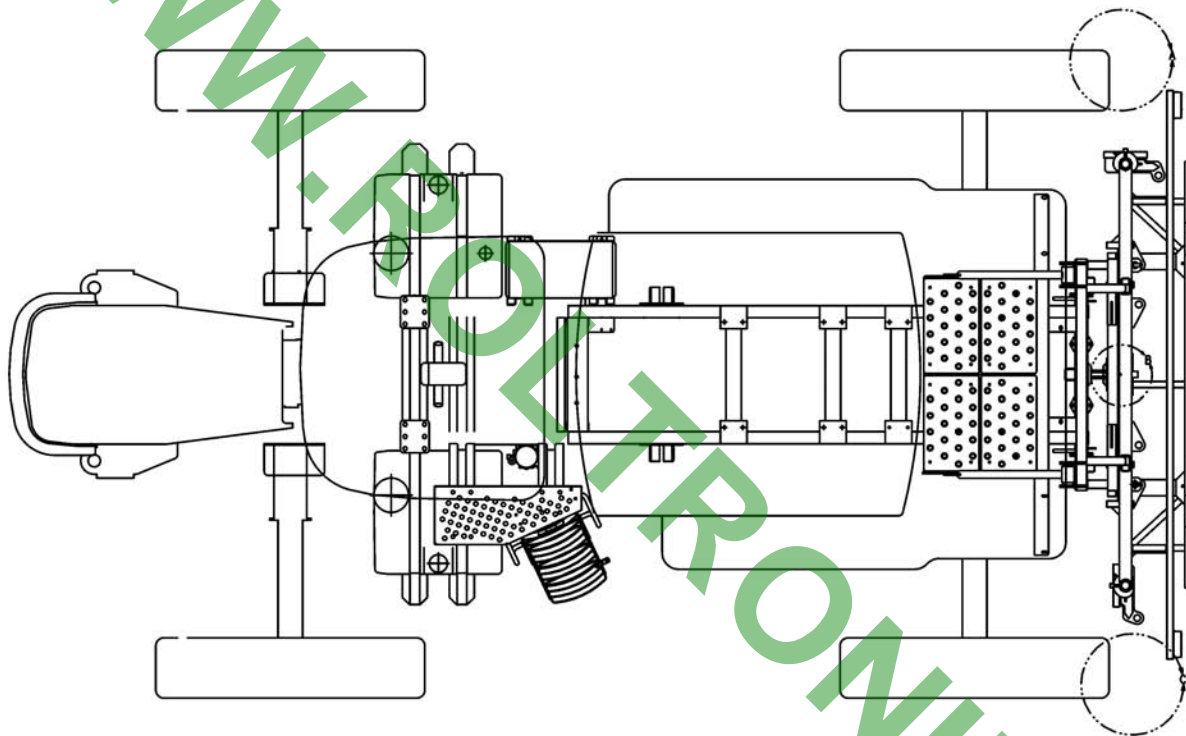
ITEM	PART #	QTY	DESCRIPTION	COMMENTS
1	AG504293	-	HARNES-PRODUCT CONTROL(SYS)	
2	AG504299	1	HARNES-ELEC BM SECT VLV(SYS)	
3	AG121882	-	MANIFOLD ASM-Y,1.00FP FLG,ELEC	SEE PAGE 2-36
4	AG424522	-	MANF ASM-BOOM,W/BALL VLV,STD	SEE PAGE 2-39
5	AG554278	6	TIE CABLE 11.0 .06-3.06 BLACK	

WWW.ROLTRONIK.PL



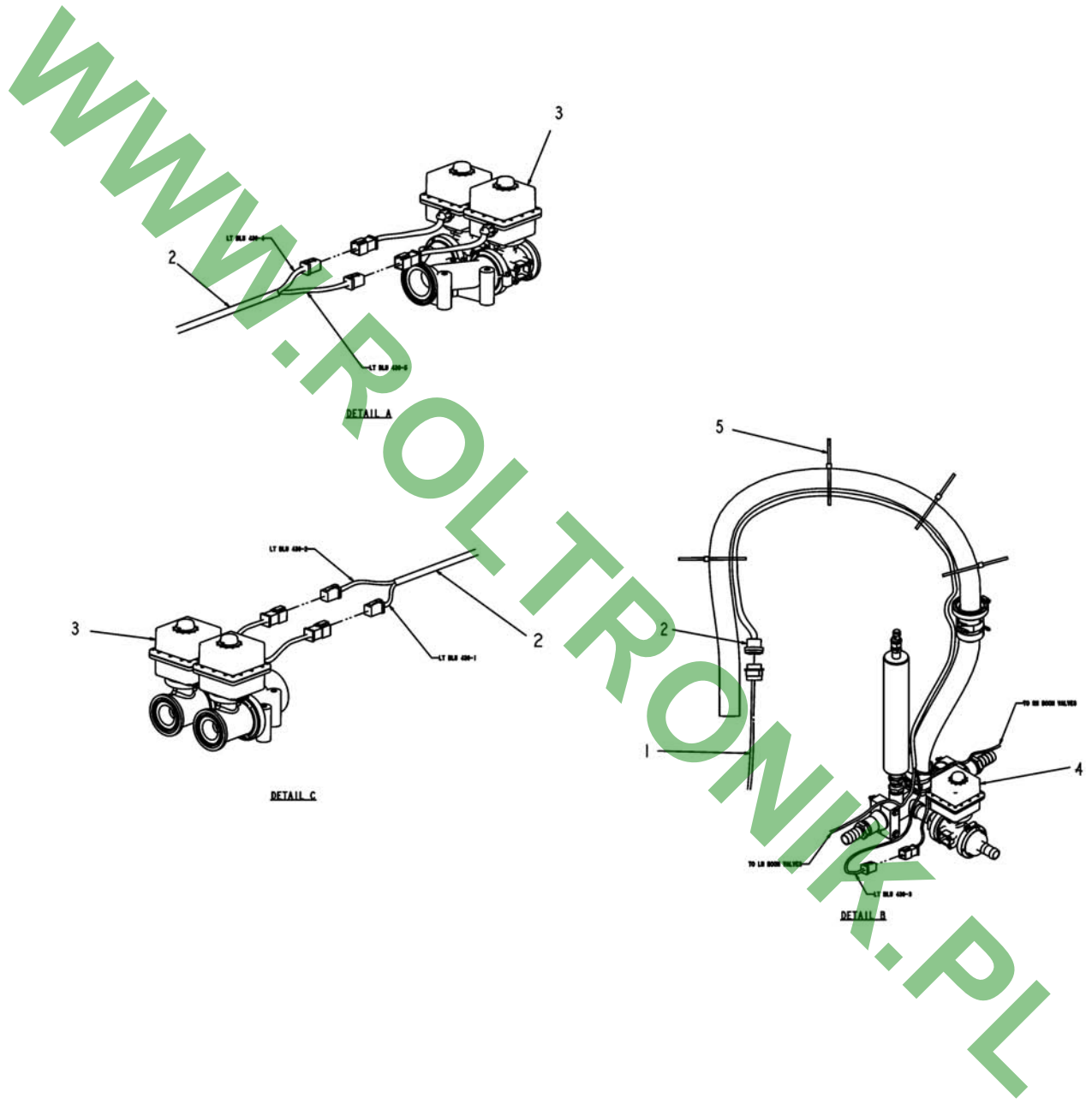
ITEM	PART #	QTY	DESCRIPTION	COMMENTS
1	AG504293	-	HARNES-PRODUCT CONTROL(SYS)	
2	AG504299	1	HARNES-ELEC BM SECT VLV(SYS)	
3	AG121882	-	MANIFOLD ASM-Y,1.00FP FLG,ELEC	SEE PAGE 2-36
4	AG424522	-	MANF ASM-BOOM,W/BALL VLV,STD	SEE PAGE 2-39
5	AG554278	6	TIE CABLE 11.0 .06-3.06 BLACK	

WWW.ROLTRONIK.PL



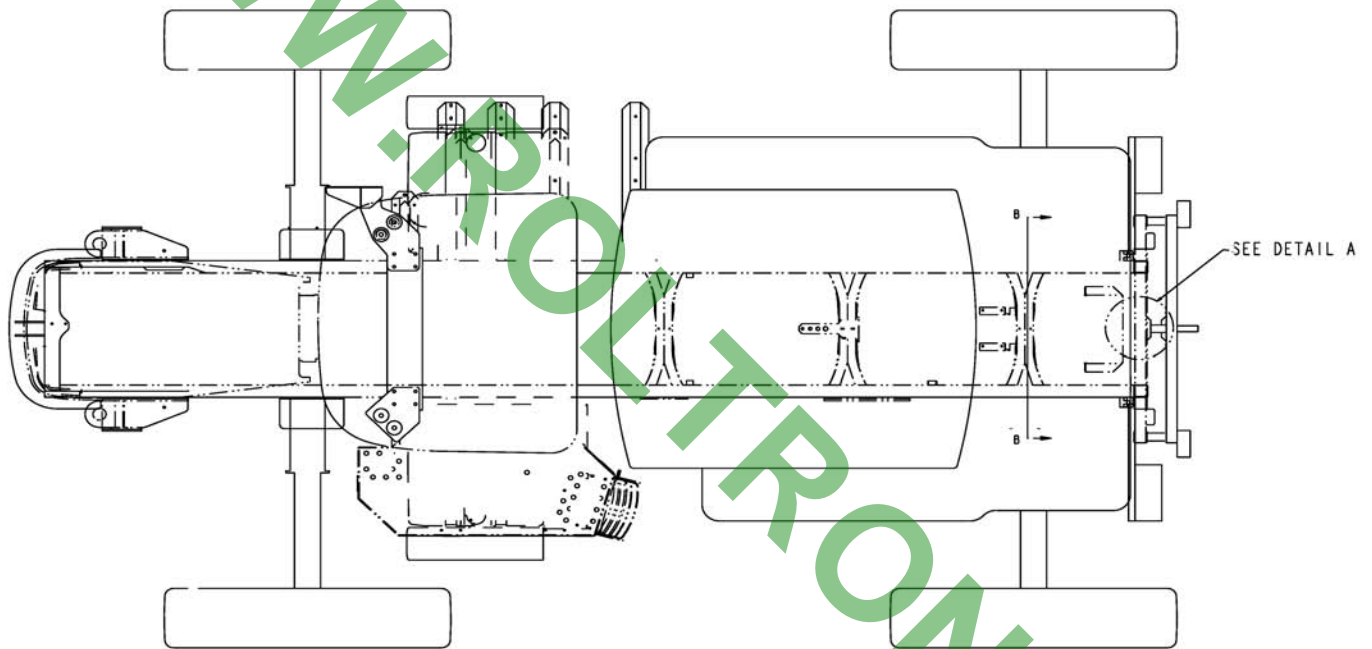
ITEM	PART #	QTY	DESCRIPTION	COMMENTS
1	AG504293	-	HARNES-PRODUCT CONTROL(SYS)	
2	AG122592	1	HARN-ELEC BM SECT (SYS),90/100	
3	AG121882	-	MANIFOLD ASM-Y,1.00FP FLG,ELEC	SEE PAGE 2-36
4	AG424522	-	MANF ASM-BOOM,W/BALL VLV,STD	SEE PAGE 2-39
5	AG554278	6	TIE CABLE 11.0 .06-3.06 BLACK	

WWW.ROLTRONIK.PL



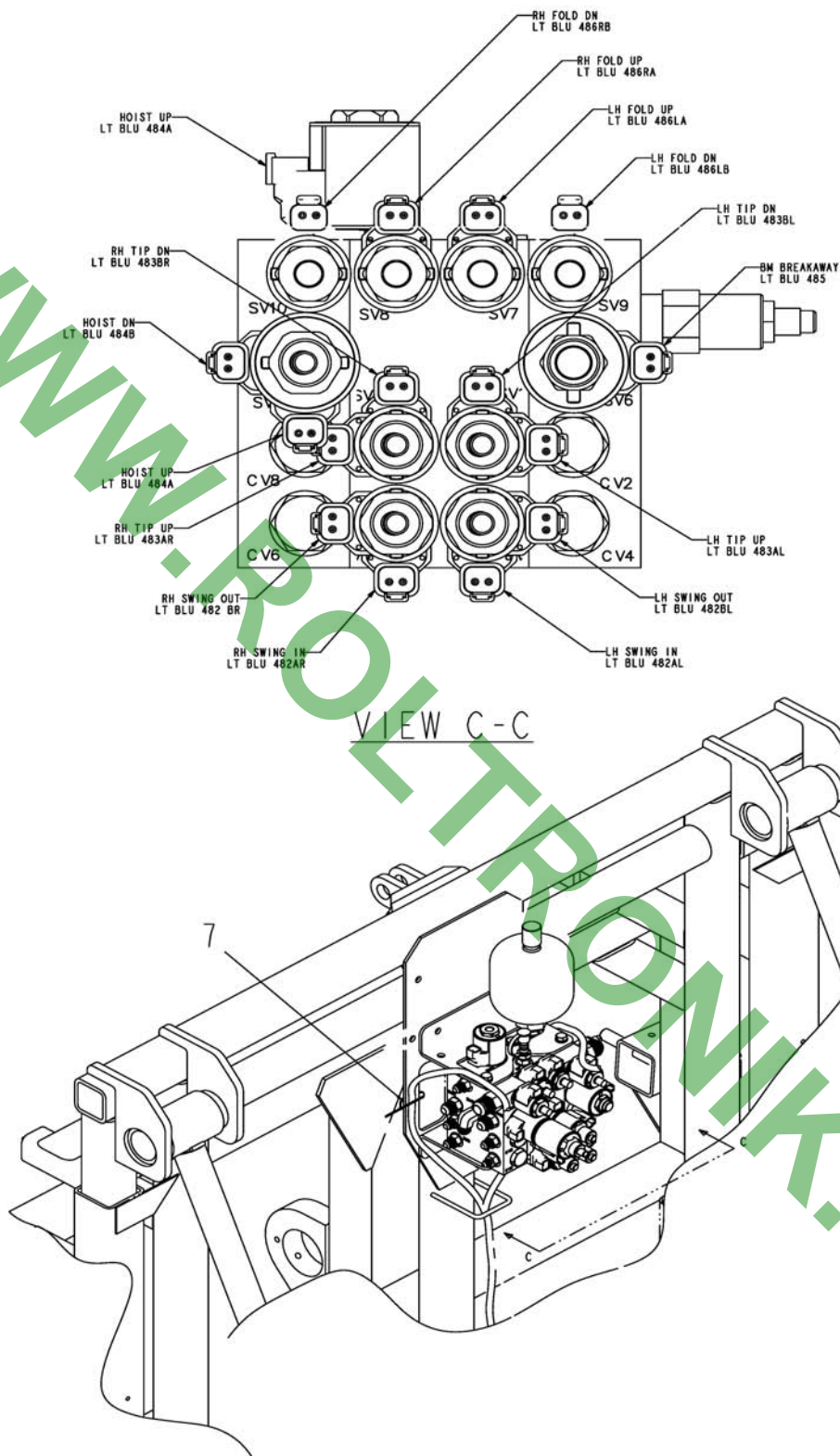
ITEM	PART #	QTY	DESCRIPTION	COMMENTS
1	AG504293	-	HARNES-PRODUCT CONTROL(SYS)	
2	AG122592	1	HARN-ELEC BM SECT (SYS),90/100	
3	AG121882	-	MANIFOLD ASM-Y,1.00FP FLG,ELEC	SEE PAGE 2-36
4	AG424522	-	MANF ASM-BOOM,W/BALL VLV,STD	SEE PAGE 2-39
5	AG554278	6	TIE CABLE 11.0 .06-3.06 BLACK	

WWW.ROLTRONIK.PL



ITEM	PART #	QTY	DESCRIPTION	COMMENTS
1	505109D1	1	HARNESS-BOOM MOTION,RG	
2	AG121198	2	MODULE-I/O,CAN	
3	AG518491	2	BOLT 0.25-20NCX 2.00 SS HHD	
4	AG515121	2	WASHER 0.25 FL SS REG	
5	AG515122	2	WASHER LK 0.25 SS REG	
6	AG515123	2	NUT 0.25-20NC HEX SS REG	
7	AG554278	2	TIE CABLE 11.0 .06-3.06 BLACK	

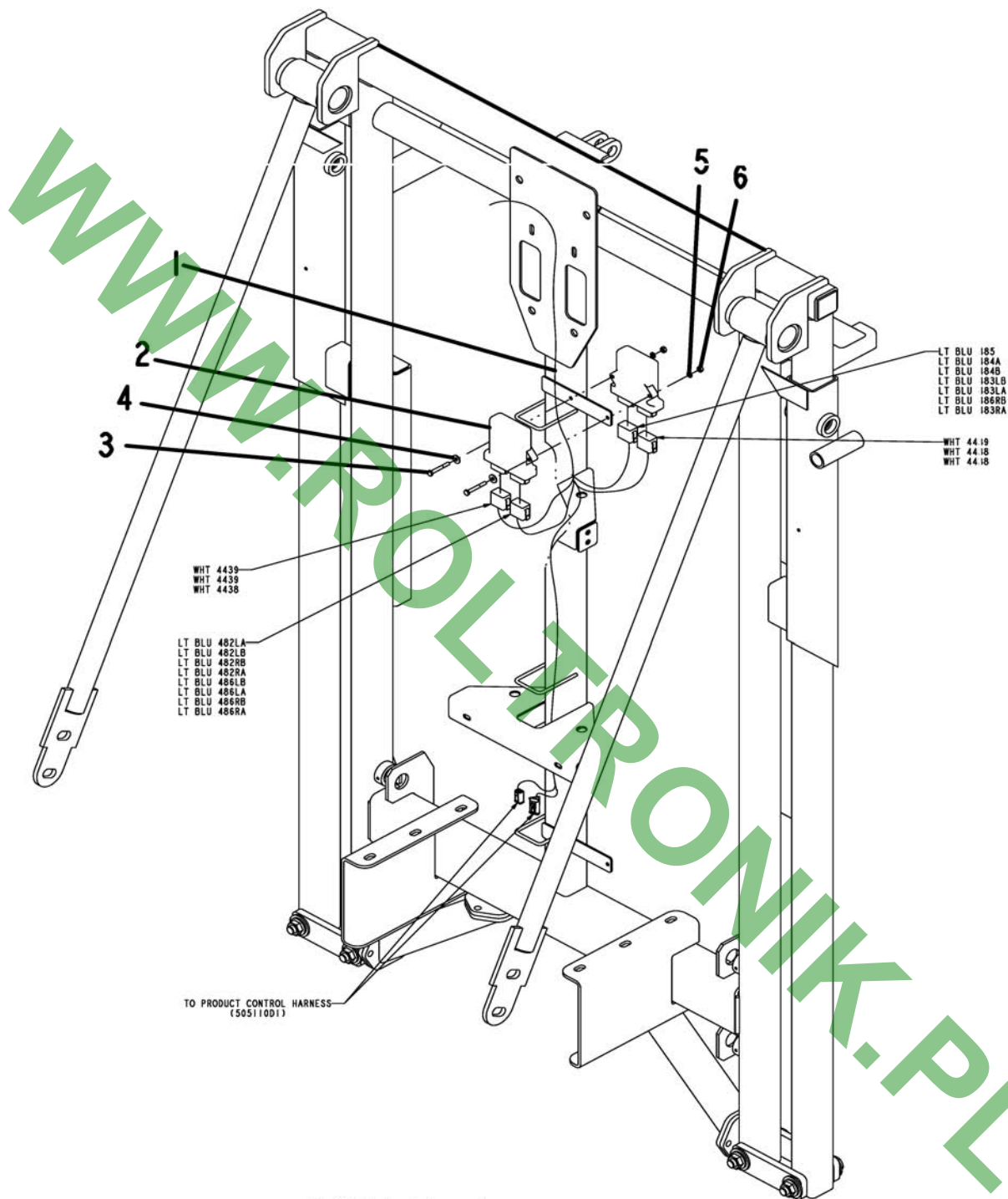
WWW.ROLTRONIK.PL



VIEW C-C

ITEM	PART #	QTY	DESCRIPTION	COMMENTS
1	505109D1	1	HARNESS-BOOM MOTION,RG	
2	AG121198	2	MODULE-I/O,CAN	
3	AG518491	2	BOLT 0.25-20NCX 2.00 SS HHD	
4	AG515121	2	WASHER 0.25 FL SS REG	
5	AG515122	2	WASHER LK 0.25 SS REG	
6	AG515123	2	NUT 0.25-20NC HEX SS REG	
7	AG554278	2	TIE CABLE 11.0 .06-3.06 BLACK	

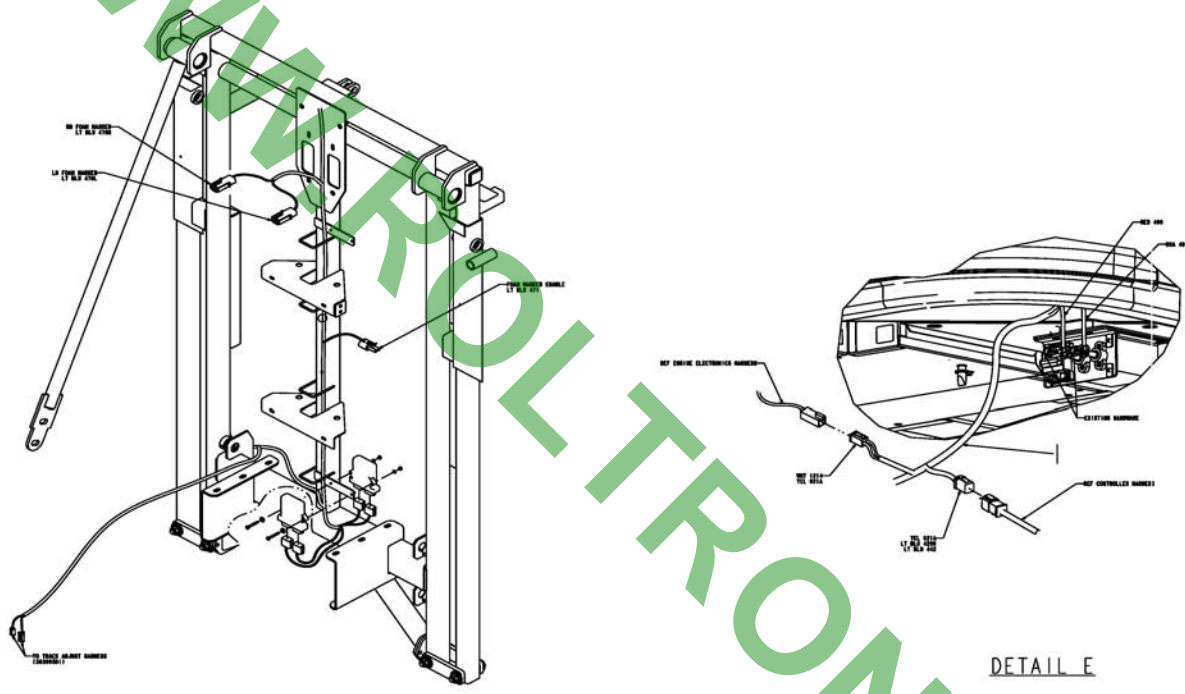
WWW.ROLTRONIK.PL



DETAIL A

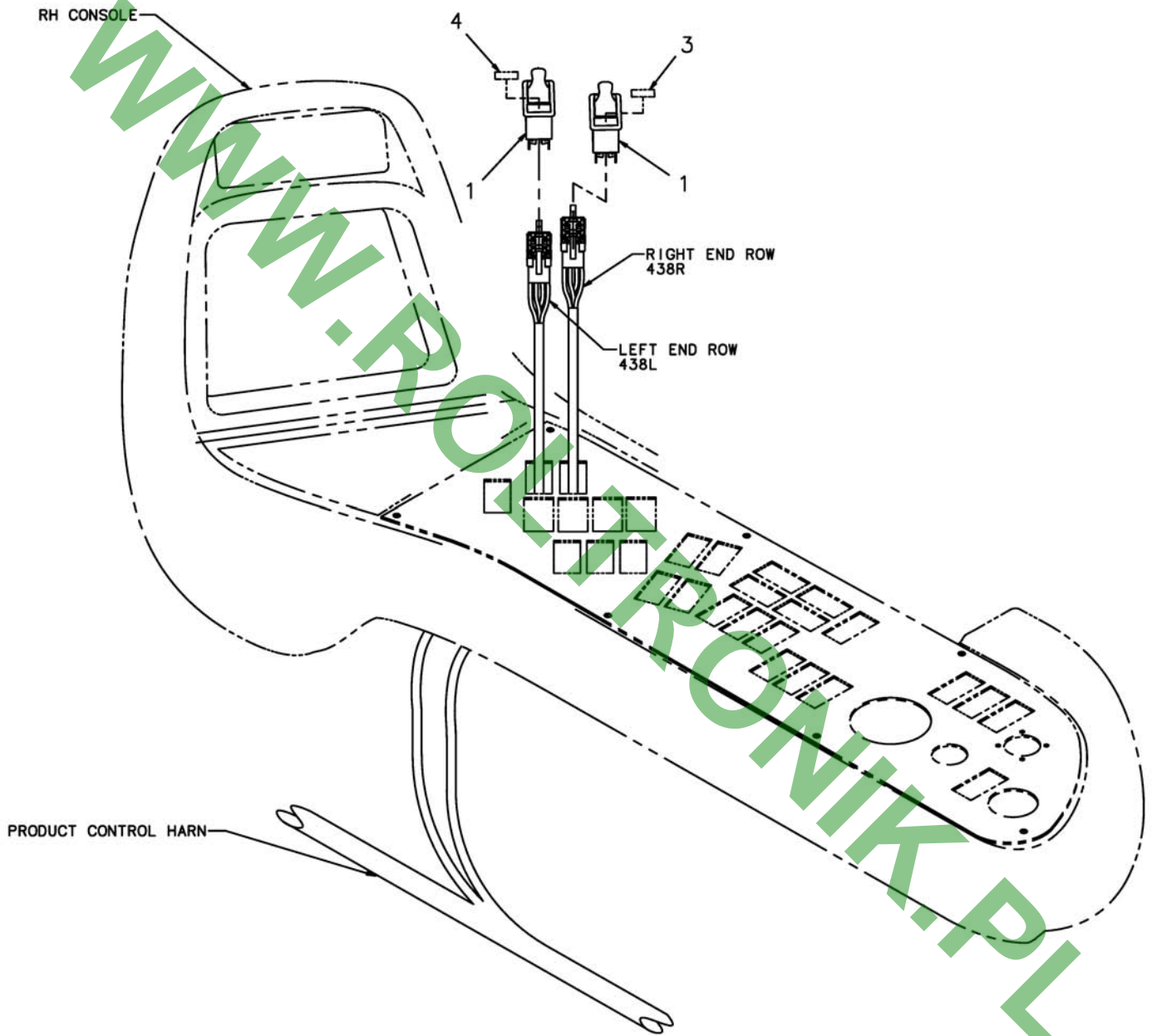
ITEM	PART #	QTY	DESCRIPTION	COMMENTS
1	505109D1	1	HARNESS-BOOM MOTION,RG	
2	AG121198	2	MODULE-I/O,CAN	
3	AG518491	2	BOLT 0.25-20NCX 2.00 SS HHD	
4	AG515121	2	WASHER 0.25 FL SS REG	
5	AG515122	2	WASHER LK 0.25 SS REG	
6	AG515123	2	NUT 0.25-20NC HEX SS REG	
7	AG554278	2	TIE CABLE 11.0 .06-3.06 BLACK	

WWW.ROLTRONIK.PL



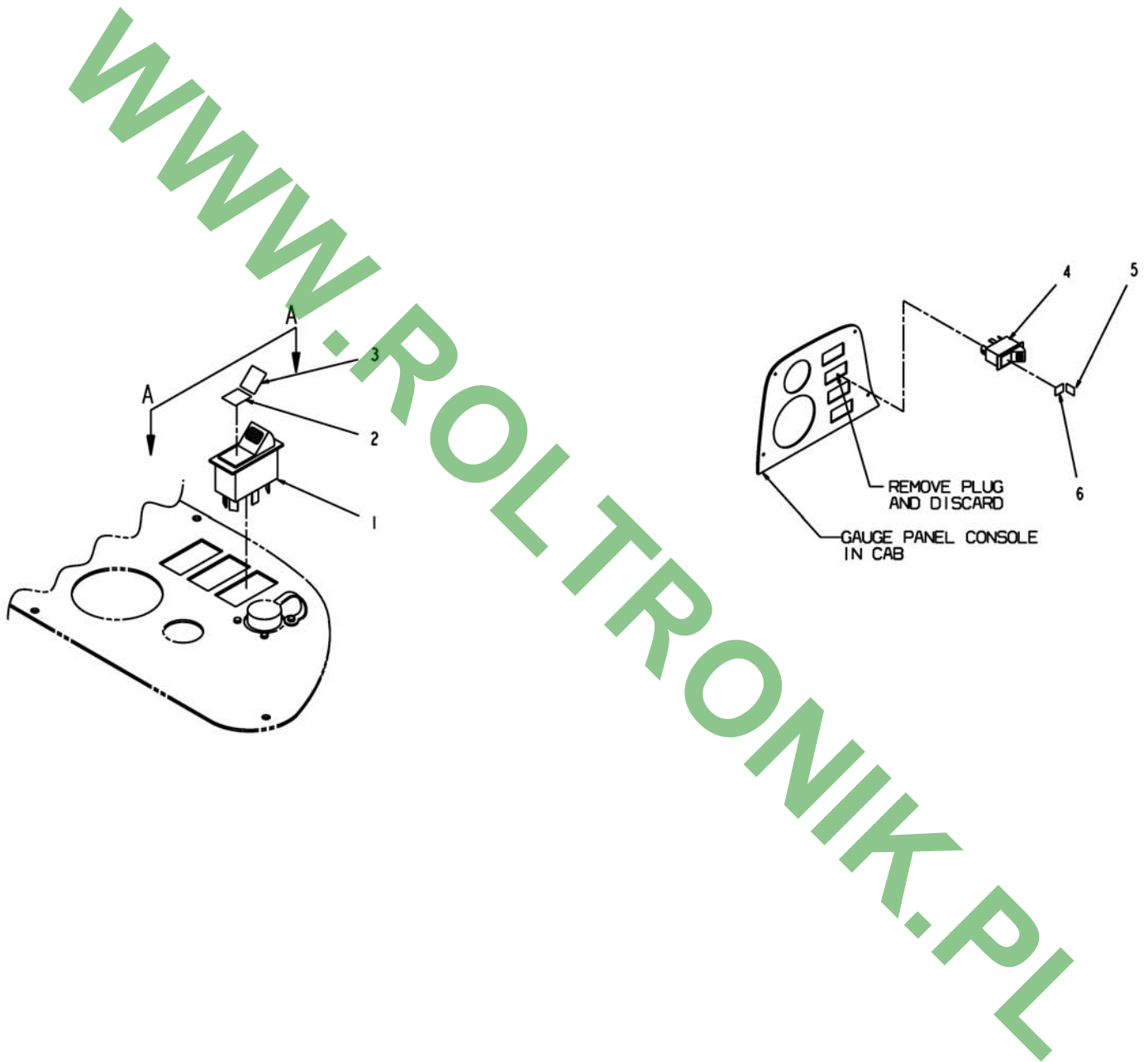
ITEM	PART #	QTY	DESCRIPTION	COMMENTS
1	505110D1	1	HARNESS-PROD CONT.RG	
2	AG504299	-	HARNESS-ELEC BM SECT VLV(SYS)	
3	AG424287	-	VALVE-HYD,PWM,LIQ SYS,15 GPM	SEE PAGE 5-41
4	AG521017	-	SENDER-PRESSURE,0-150PSI,GRD	
5	504390D1	1	SW INSTL-PUMP/SPARGE	SEE PAGE 6-25
6	AG524270	-	TRANSDUCER-PRES,150 PSI,(MV)	
7	AG554278	6	TIE CABLE 11.0 .06-3.06 BLACK	
8	AG523925	-	VALVE-ELEC,REG,2.0FLGX1.0FNPT	SEE PAGE 2-7
9	505270D1	-	HARNESS-BSO VLV,7 SECT	

WWW.ROLTRONIK.PL



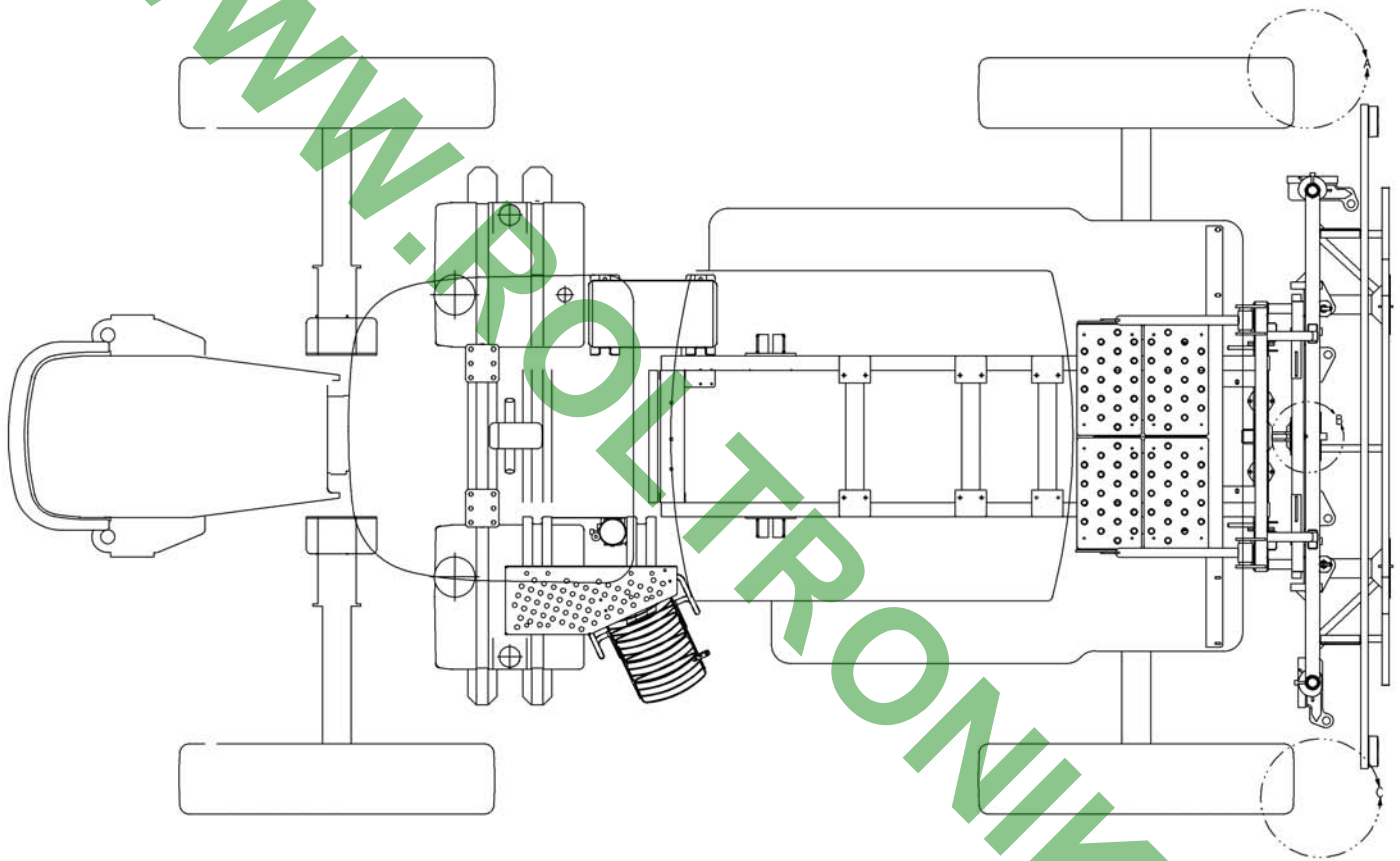
ITEM	PART #	QTY	DESCRIPTION	COMMENTS
1	AG520952	2	SWITCH-ELEC,PDL,ON-ON,DPDT	
3	AG238722	-	DECAL-PAD SW,RH ER APPLY,SYM	[A]
4	AG238721	-	DECAL-PAD SW,LH ER APPLY,SYM	[B]
	FOOTNOTE [A]		USE AG324270 DECAL GROUP	
	FOOTNOTE [B]		USE AG324270 GROUP DECAL	

WWW.ROLTRONIK.PL



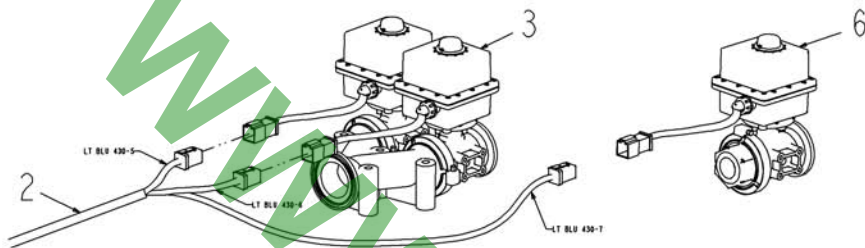
ITEM	PART #	QTY	DESCRIPTION	COMMENTS
1	AG521179	1	SWITCH-ELEC,RKR,ON-ON,DPDT	
2	AG236941	-	DECAL-RKR SW,OFF	
3	AG236956	-	DECAL-RKR SW,BOOM CLEANOUT	
4	AG520946	1	SWITCH-ELEC,RKR,OFF-ON,SPST	
5	AG238719	-	DECAL-RKR SW,PUMP,PROD,BM,SYM	
6	AG238735	-	DECAL-RKR SW,OFF,GRN,SYM	
7	AG324269	-	DECAL GROUP-RG LIQUID SYSTEM	

WWW.ROLTRONIK.PL

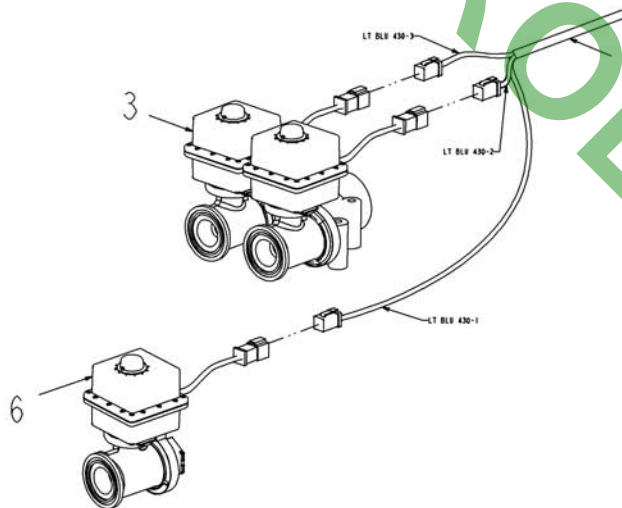


ITEM	PART #	QTY	DESCRIPTION	COMMENTS
1	505110D1	-	HARNESS-PROD CONT.RG	
2	505270D1	1	HARNESS-BSO VLV,7 SECT	
3	AG121882	-	MANIFOLD ASM-Y,1.00FP FLG,ELEC	SEE PAGE 2-36
4	AG424522	-	MANF ASM-BOOM,W/BALL VLV,STD	SEE PAGE 2-39
5	AG554278	6	TIE CABLE 11.0 .06-3.06 BLACK	
6	AG121883	-	VALVE-BALL,1.00FP FLGXNPT,ELEC	SEE PAGE 2-37
7	AG504293	-	HARNESS-PRODUCT CONTROL(SYS)	
8	507139D1	1	HARN-JUMP,SENSE,CTRL,7 SECT	

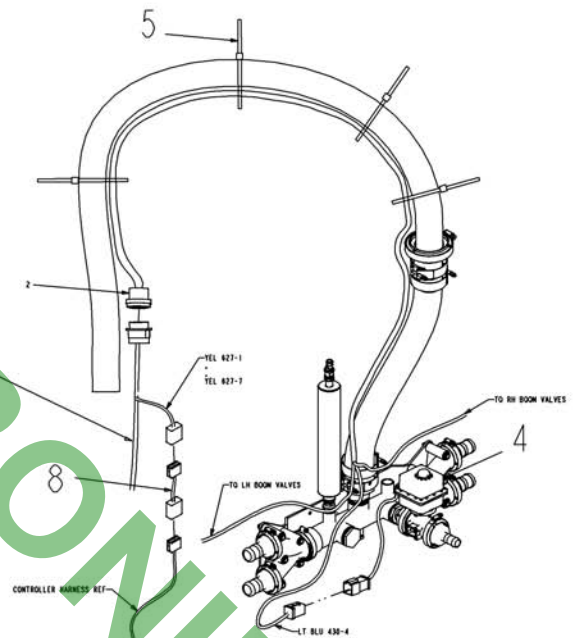
WWW.ROLTRONIK.PL



RH BOOM
DETAIL A



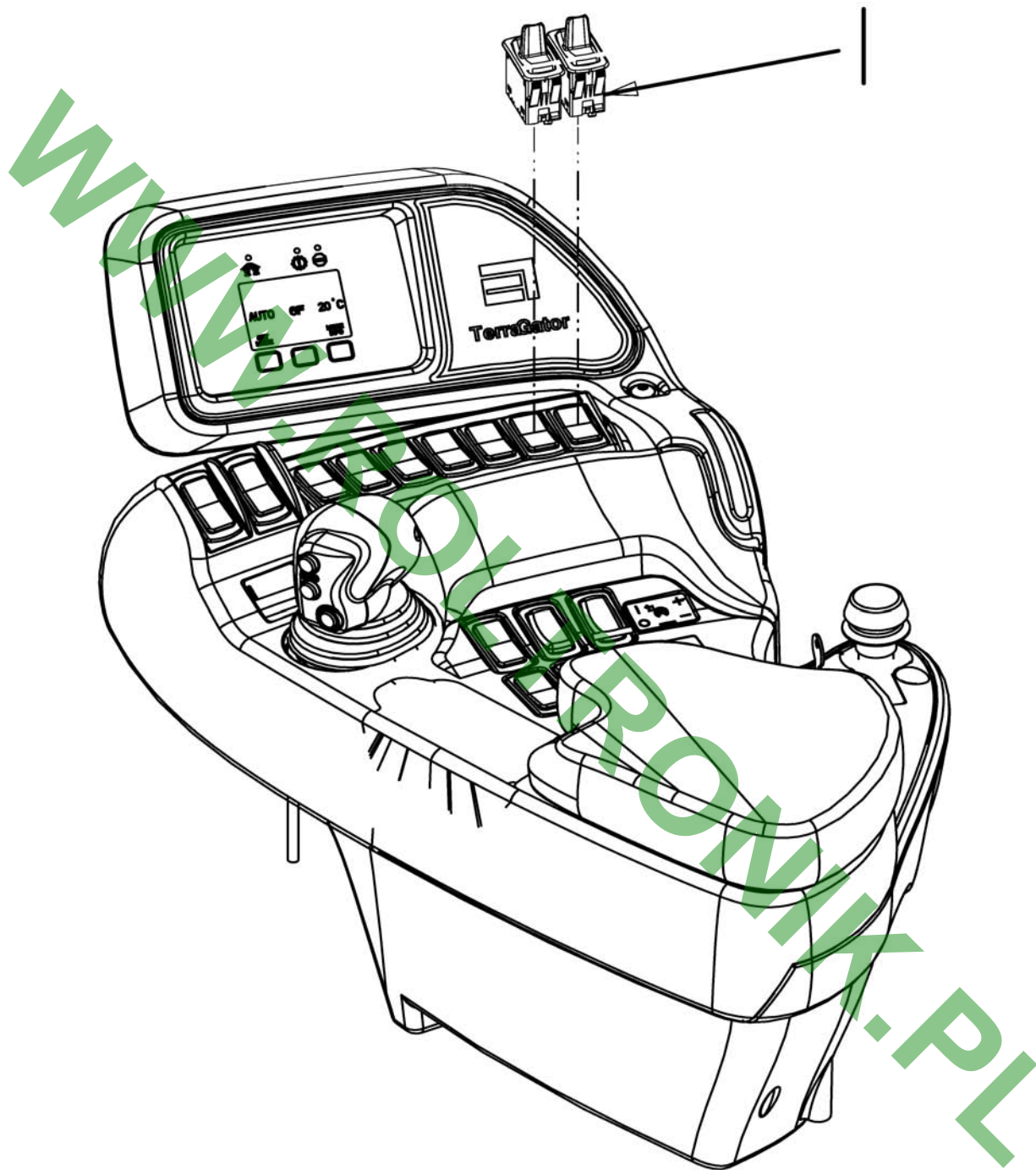
LH BOOM
DETAIL C



DETAIL B

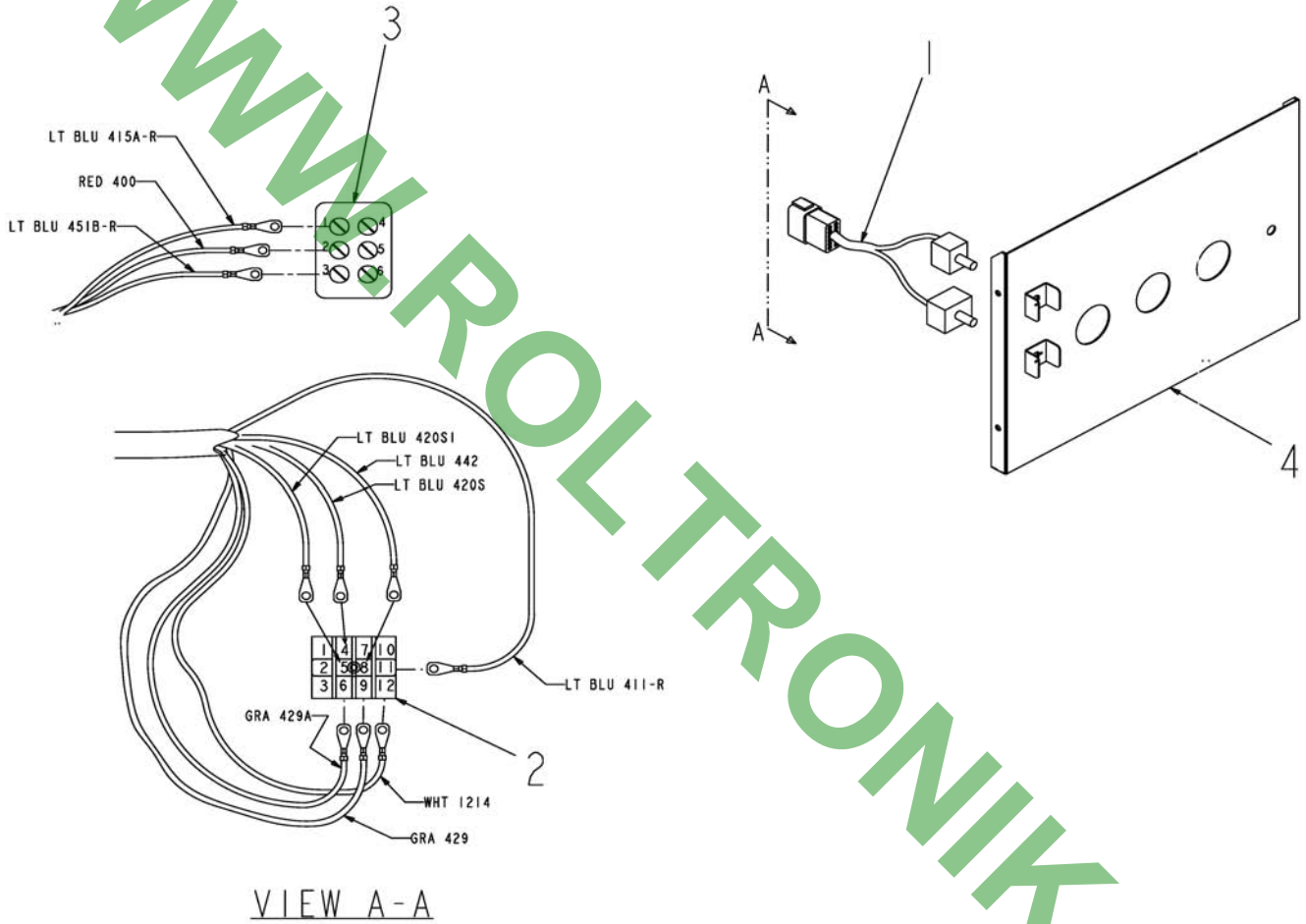
ITEM	PART #	QTY	DESCRIPTION	COMMENTS
1	505110D1	-	HARNESS-PROD CONT.RG	
2	505270D1	1	HARNESS-BSO VLV,7 SECT	
3	AG121882	-	MANIFOLD ASM-Y,1.00FP FLG,ELEC	SEE PAGE 2-36
4	AG424522	-	MANF ASM-BOOM,W/BALL VLV,STD	SEE PAGE 2-39
5	AG554278	6	TIE CABLE 11.0 .06-3.06 BLACK	
6	AG121883	-	VALVE-BALL,1.00FP FLGXNPT,ELEC	SEE PAGE 2-37
7	AG504293	-	HARNESS-PRODUCT CONTROL(SYS)	
8	507139D1	1	HARN-JUMP,SENSE,CTRL,7 SECT	

WWW.ROLTRONIK.PL



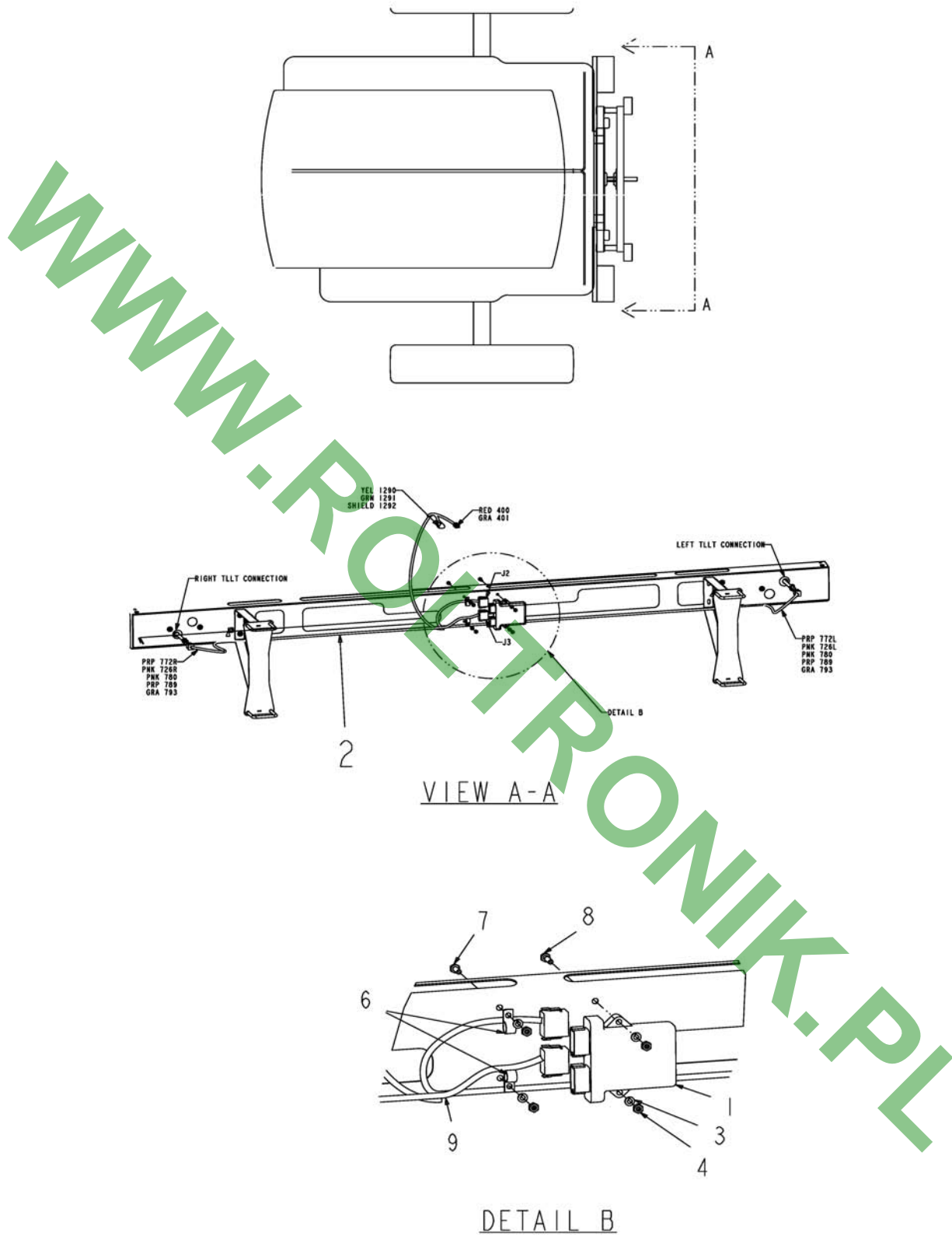
ITEM	PART #	QTY	DESCRIPTION	COMMENTS
1	AG124433	2	SWITCH-PDL,OFF-ON,W/LT,CS-L	

WWW.ROLTRONIK.PL



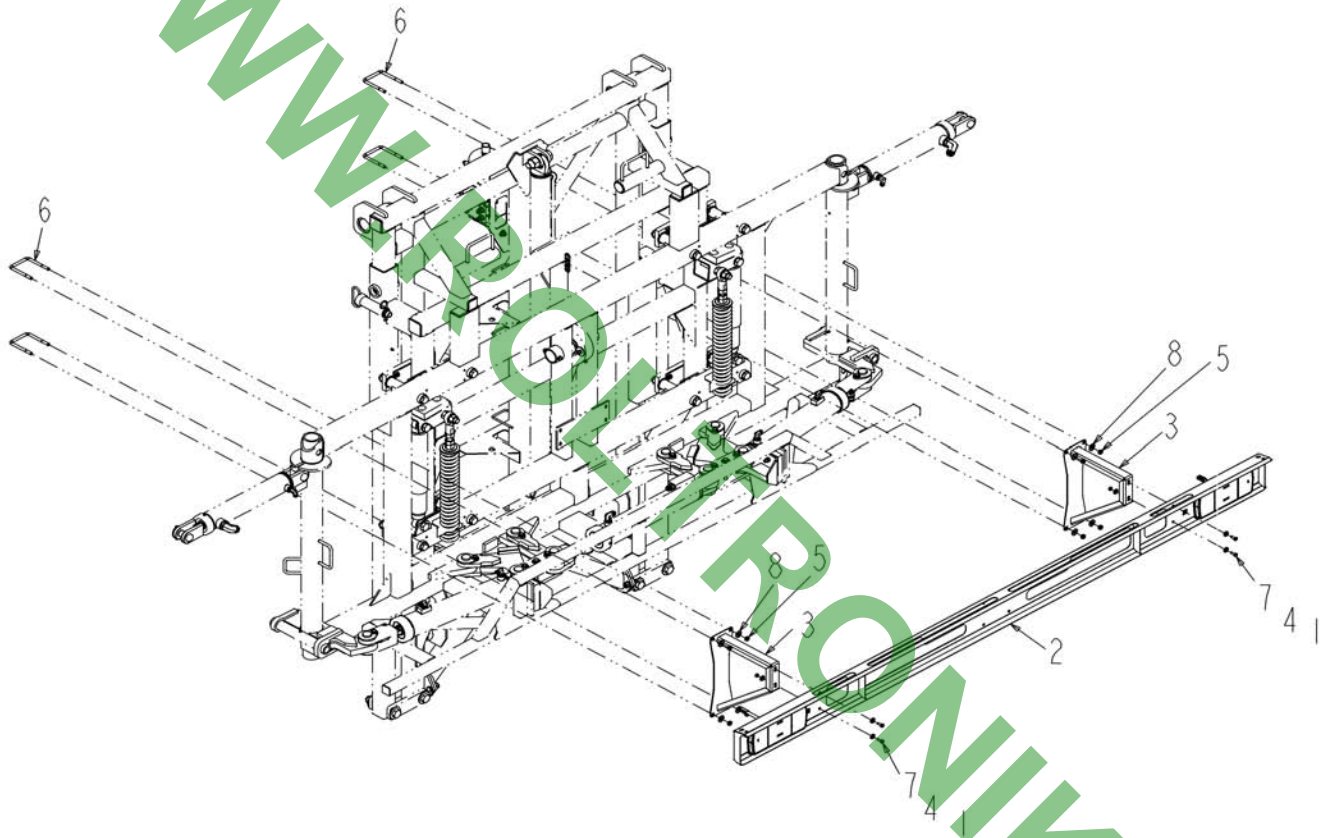
ITEM	PART #	QTY	DESCRIPTION	COMMENTS
1	504389D1	1	HARNES-REMOTE RELOAD,SPARGE	
2	AG521890	1	SWITCH-ELECT,4PDT,ON-ON	
3	AG520697	1	SWITCH-TOGGLE,ELEC	
4	AG327860	-	PANEL WLDMT-COVER,MANIFOLD	

WWW.ROLTRONIK.PL



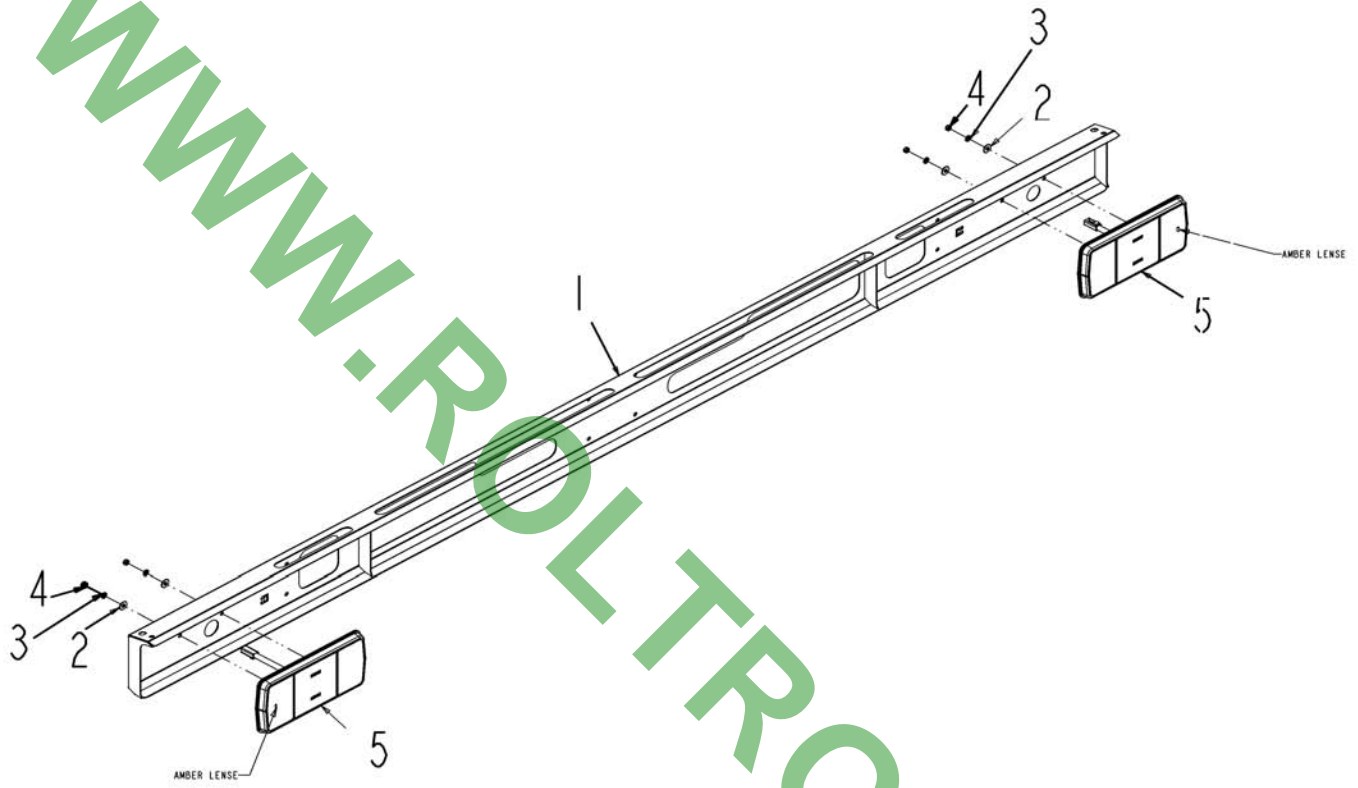
ITEM	PART #	QTY	DESCRIPTION	COMMENTS
1	AG121198	1	MODULE-I/O,CAN	
2	AG134124	-	LIGHT INSTL-AFWL/TAIL,RC LIQ	
3	AG515122	4	WASHER LK 0.25 SS REG	
4	AG515123	4	NUT 0.25-20NC HEX SS REG	
5	AG553557	AR	TIE CABLE 7.37 .06-1.37 BLACK	
6	AG561488	2	CLAMP 0.62 COATED HOSE	
7	AG562054	2	BOLT 0.25-20NCX 0.75 S.S. HHD	
8	AG562064	2	BOLT 0.25-20NCX 1.00 S.S. HHD	[A]
9	504404D1	1	HARNESSTLLT,LED,LIQ,RG	
10	505109D1	-	HARNESSTBOOM MOTION,RG	
	FOOTNOTE [A]		STAINLESS STEEL	

WWW.ROLTRONIK.PL



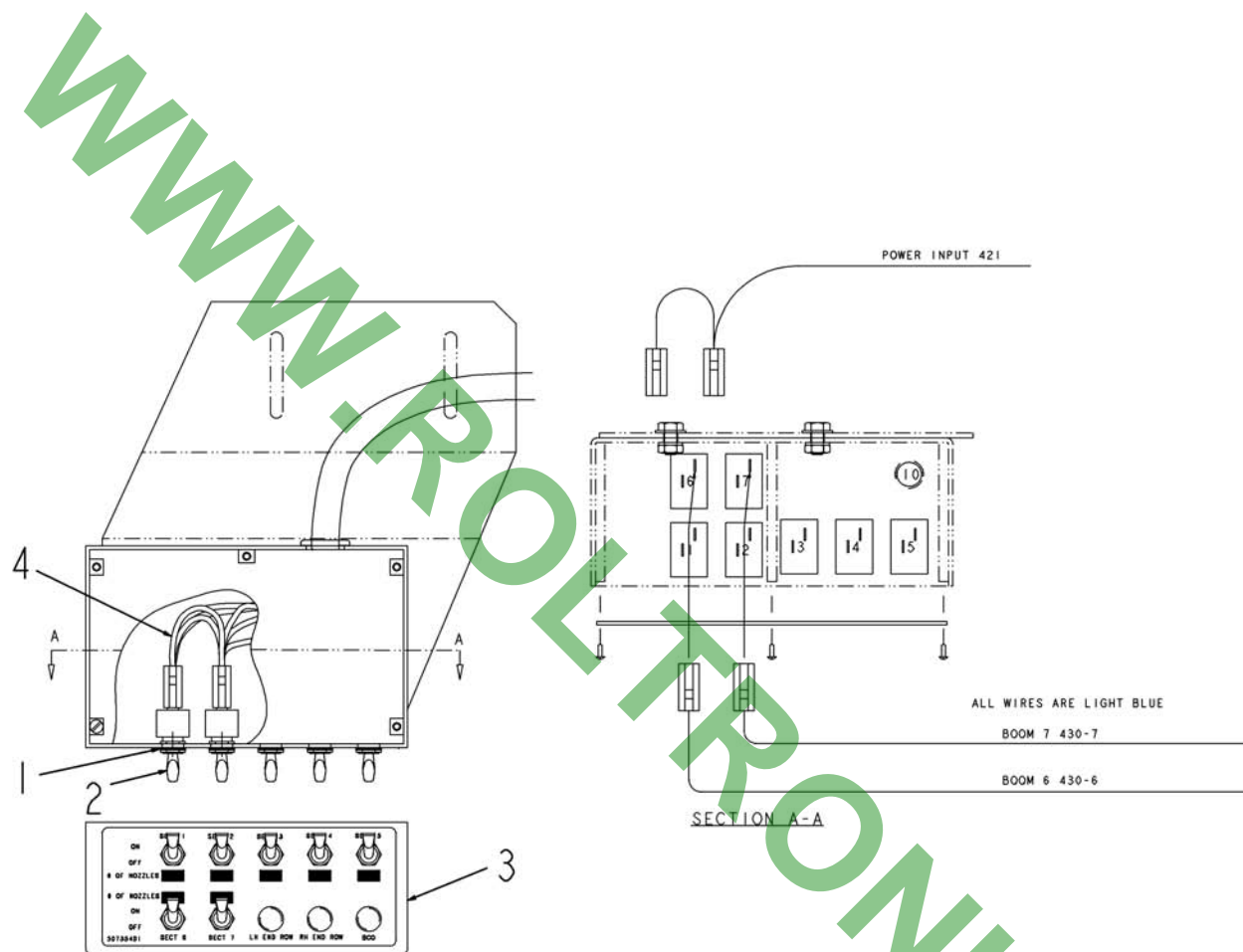
ITEM	PART #	QTY	DESCRIPTION	COMMENTS
1	AG027275	4	NUT,NY-LOCK 1/4-20 SS HX (P)	
2	AG130567	1	BRKT ASM-MTG,TAILLIGHT	SEE PAGE 6-28
3	AG134119	2	SUPPORT WLDMT-MTG,BRKT,TILT	
4	AG515121	8	WASHER 0.25 FL SS REG	
5	AG515140	8	NUT 0.37-16NC SS HVY HX NY INS	
6	AG523297	4	BOLT-U,.38-16X3.06X4.00L,SQ,SS	
7	AG562054	4	BOLT 0.25-20NCX 0.75 S.S. HHD	
8	AG562073	8	WASHER FL 0.37 SS REG	

WWW.ROLTRONIK.PL



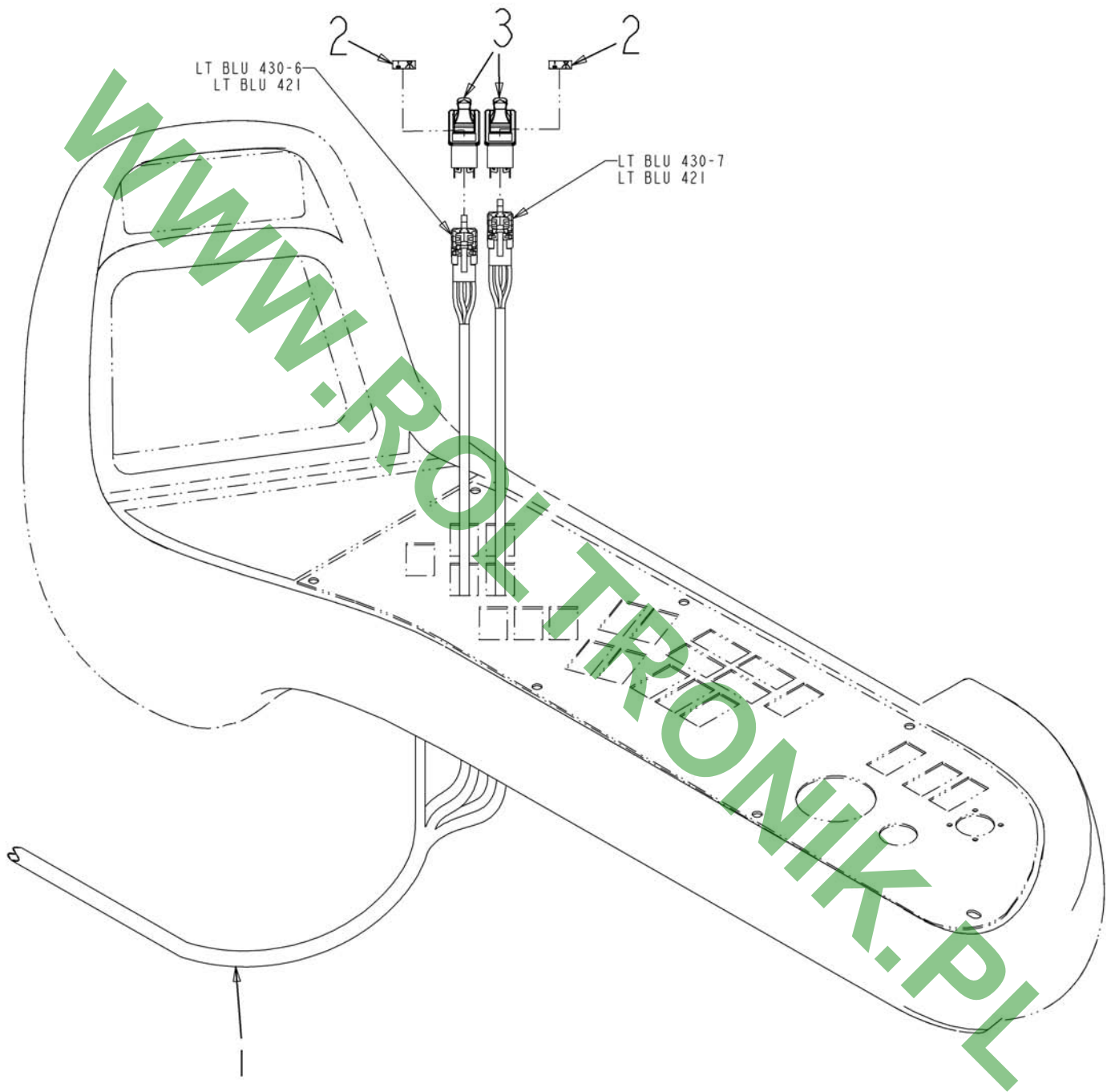
ITEM	PART #	QTY	DESCRIPTION	COMMENTS
1	AG134091	1	BRKT WLDMT-TLLT,RC LIQ SYS	
2	AG515121	4	WASHER 0.25 FL SS REG	
3	AG515122	4	WASHER LK 0.25 SS REG	
4	AG562793	4	NUT HEX M6 X 1.00	
5	503685D1	2	ASM-TLLT,LED,SPEAKER	

WWW.ROLTRONIK.PL



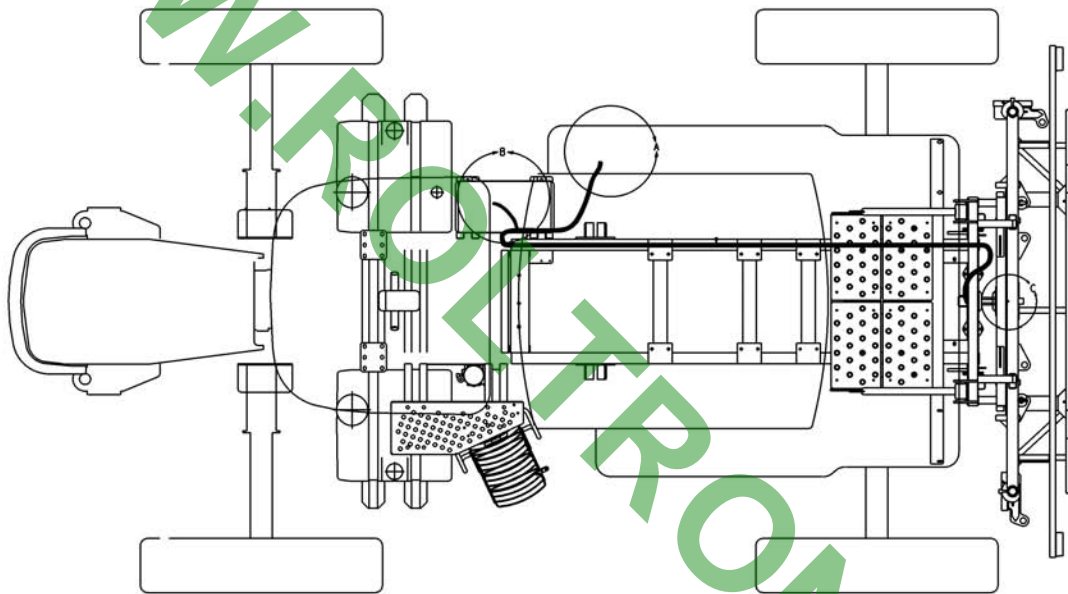
ITEM	PART #	QTY	DESCRIPTION	COMMENTS
1	AG520326	2	WASHER-LK,.47,INT TOOTH	
2	AG518707	2	SWITCH ELECT SPST BAT HANDLE	
3	AG121868	-	SWITCHBOX ASM-BOOM CTRL,8/1064	SEE PAGE 6-2
4	507356D1	-	HARN-SWITCHBOX,7SECT,8/10X4	

WWW.ROLTRONIK.PL



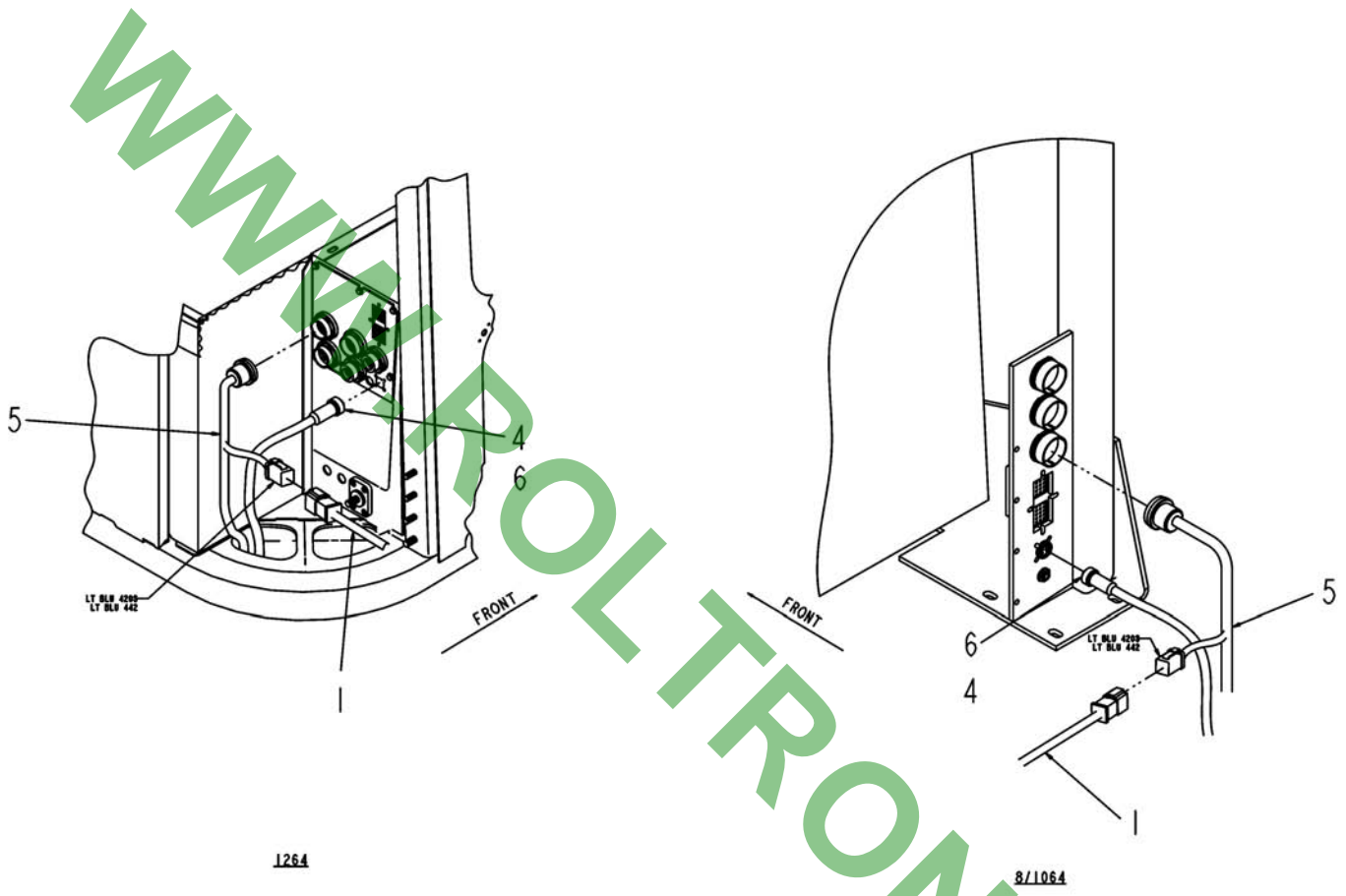
ITEM	PART #	QTY	DESCRIPTION	COMMENTS
1	AG122629	-	HARNES-PROD CONT (CAB)	
2	AG236984	-	DECAL-PAD SW,NOZZLE APPLY	
3	AG520952	2	SWITCH-ELEC,PDL,ON-ON,DPDT	

WWW.ROLTRONIK.PL



ITEM	PART #	QTY	DESCRIPTION	COMMENTS
1	AG122288	1	HARNES-FLCN II(SYS)	
2	AG232935	1	TERMINATOR ASM FALCON	
3	AG519086	1	CABLE ELEC 4-P 3 FT FALCON	
4	AG519087	1	CABLE,ELECTRICAL 4-P 6 FT LONG	
5	AG504293	-	HARNES-PRODUCT CONTROL(SYS)	
6	AG519446	1	SEAL PERIPHERAL 11 SHELL	
7	AG121873	1	NODE INSTL-RADAR,LIQ	SEE PAGE 7-2
8	AG123003	-	SOFTWARE INSTL-INI,PWM LIQUID	

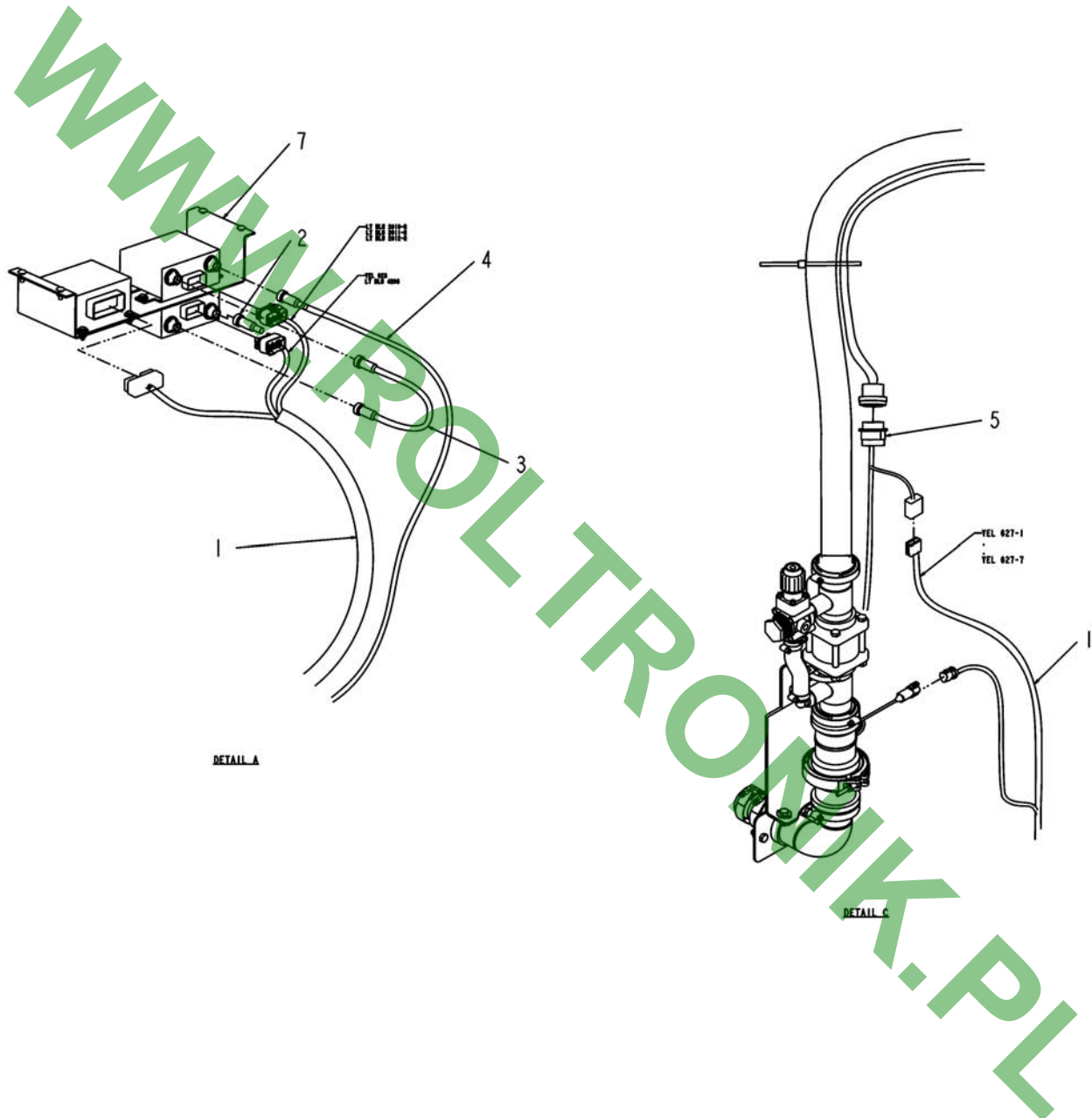
WWW.ROLTRONIK.PL



DETAIL B

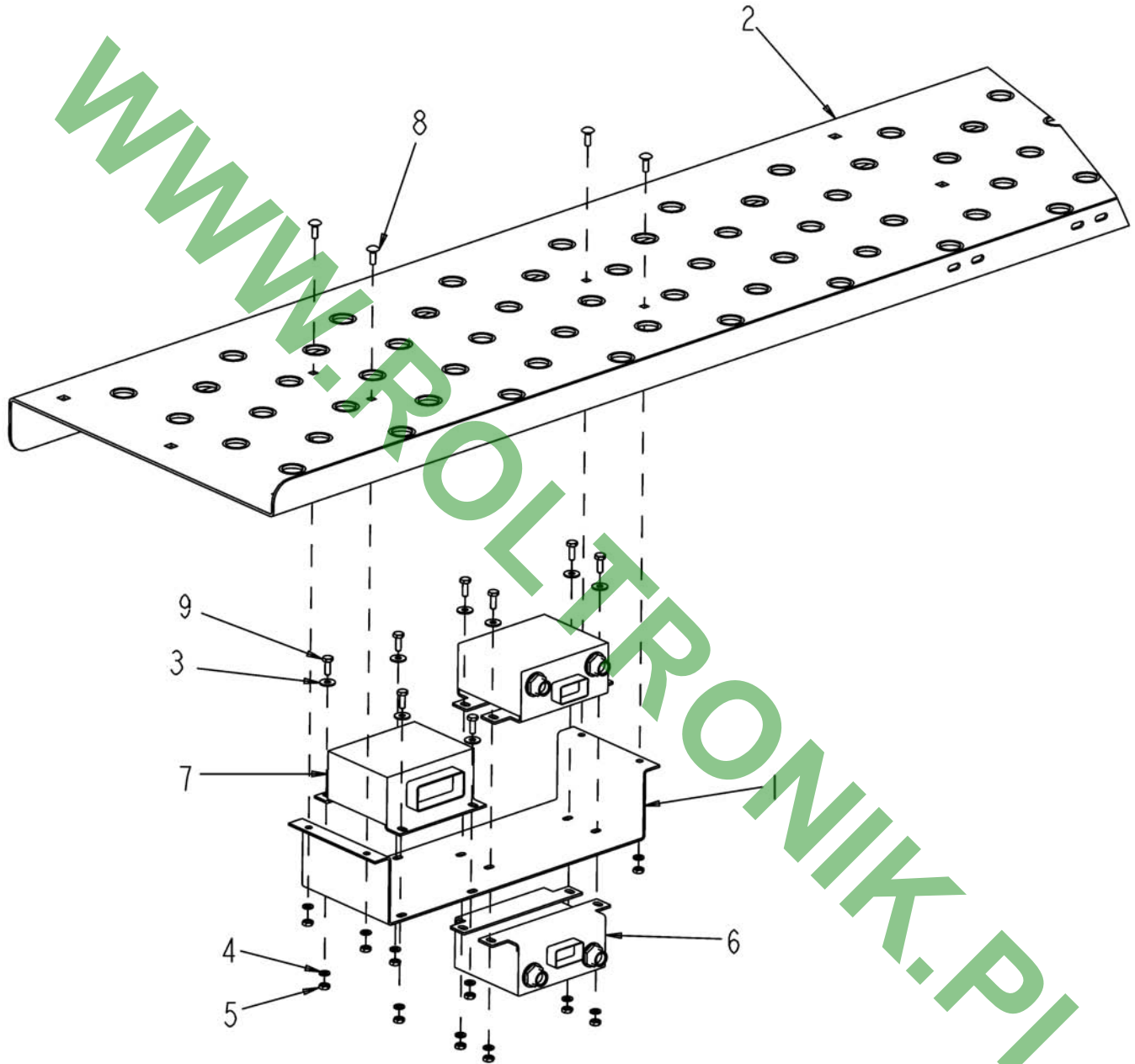
ITEM	PART #	QTY	DESCRIPTION	COMMENTS
1	AG122288	1	HARNES-FLCN II(SYS)	
2	AG232935	1	TERMINATOR ASM FALCON	
3	AG519086	1	CABLE ELEC 4-P 3 FT FALCON	
4	AG519087	1	CABLE,ELECTRICAL 4-P 6 FT LONG	
5	AG504293	-	HARNES-PRODUCT CONTROL(SYS)	
6	AG519446	1	SEAL PERIPHERAL 11 SHELL	
7	AG121873	1	NODE INSTL-RADAR,LIQ	SEE PAGE 7-2
8	AG123003	-	SOFTWARE INSTL-INI,PWM LIQUID	

WWW.ROLTRONIK.PL



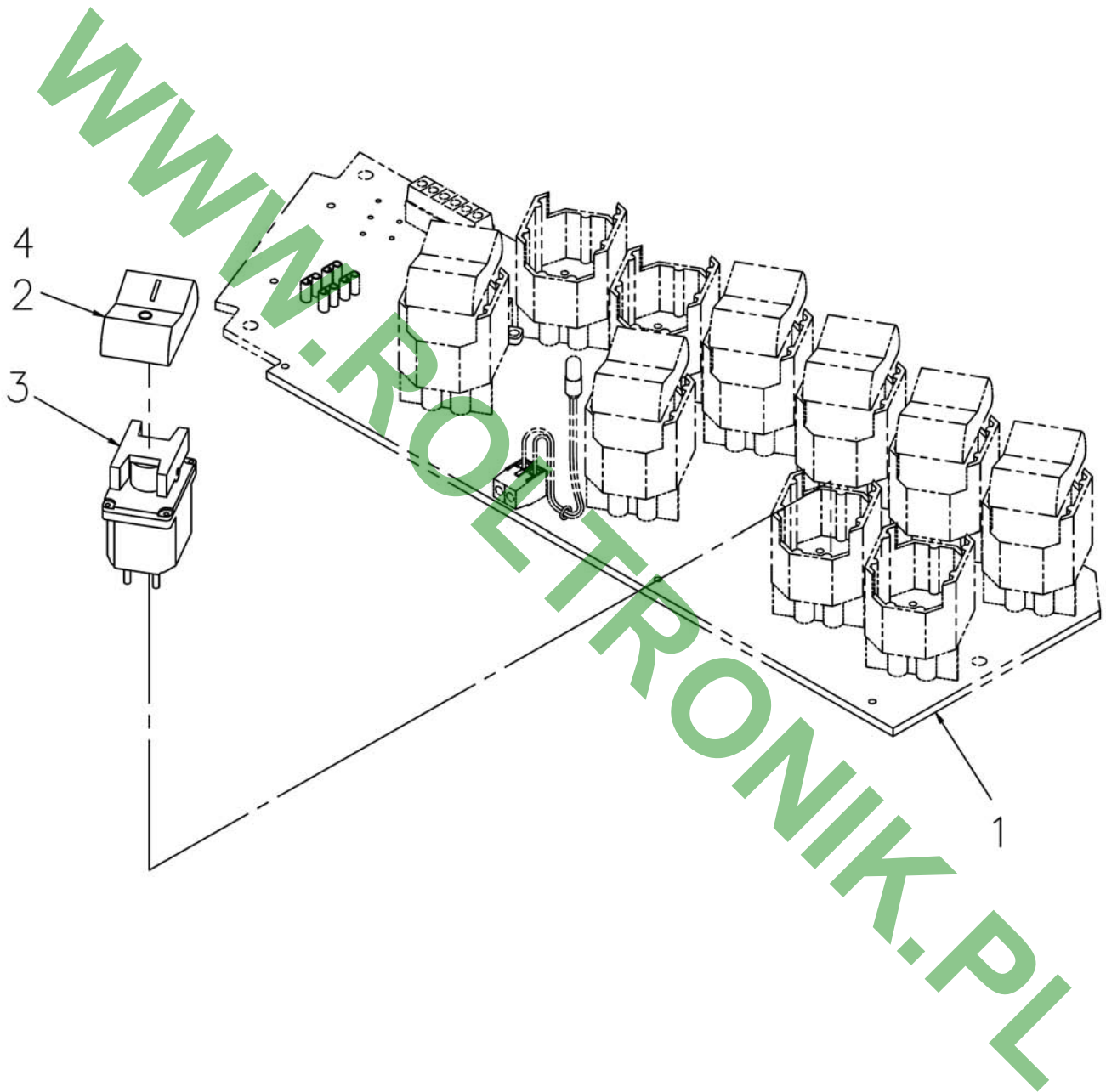
ITEM	PART #	QTY	DESCRIPTION	COMMENTS
1	AG122288	1	HARNES-FLCN II(SYS)	
2	AG232935	1	TERMINATOR ASM FALCON	
3	AG519086	1	CABLE ELEC 4-P 3 FT FALCON	
4	AG519087	1	CABLE,ELECTRICAL 4-P 6 FT LONG	
5	AG504293	-	HARNES-PRODUCT CONTROL(SYS)	
6	AG519446	1	SEAL PERIPHERAL 11 SHELL	
7	AG121873	1	NODE INSTL-RADAR,LIQ	SEE PAGE 7-2
8	AG123003	-	SOFTWARE INSTL-INI,PWM LIQUID	

WWW.ROLTRONIK.PL



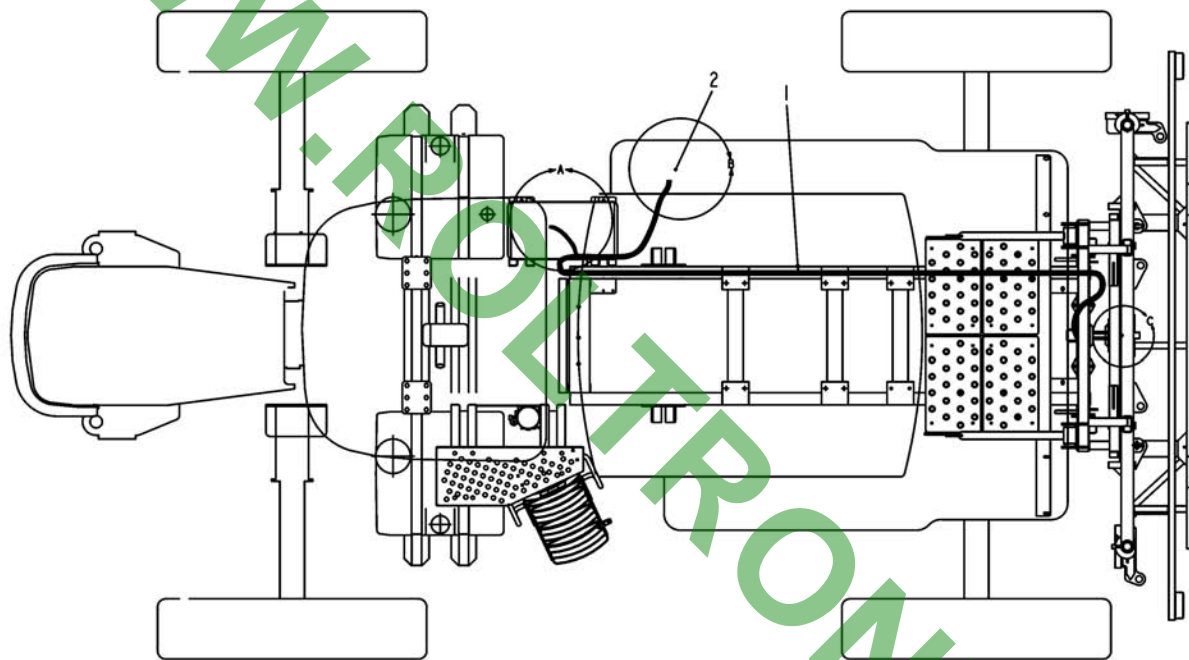
ITEM	PART #	QTY	DESCRIPTION	COMMENTS
1	AG122310	1	BRKT-MTG,NODE/TOGGLE BOX	
2	AG424380	-	CATWALK-RH	
3	AG515121	8	WASHER 0.25 FL SS REG	
4	AG515122	12	WASHER LK 0.25 SS REG	
5	AG515123	12	NUT 0.25-20NC HEX SS REG	
6	AG519463	2	NODE BOX ASM FALCON CONTROL	
7	AG521476	1	BOX-CONT,TOGGLE SECT,FLCN	
8	AG523491	4	BOLT-.25-20NCX.75,SS,CRG	
9	AG562054	8	BOLT 0.25-20NCX 0.75 S.S. HHD	

WWW.ROLTRONIK.PL



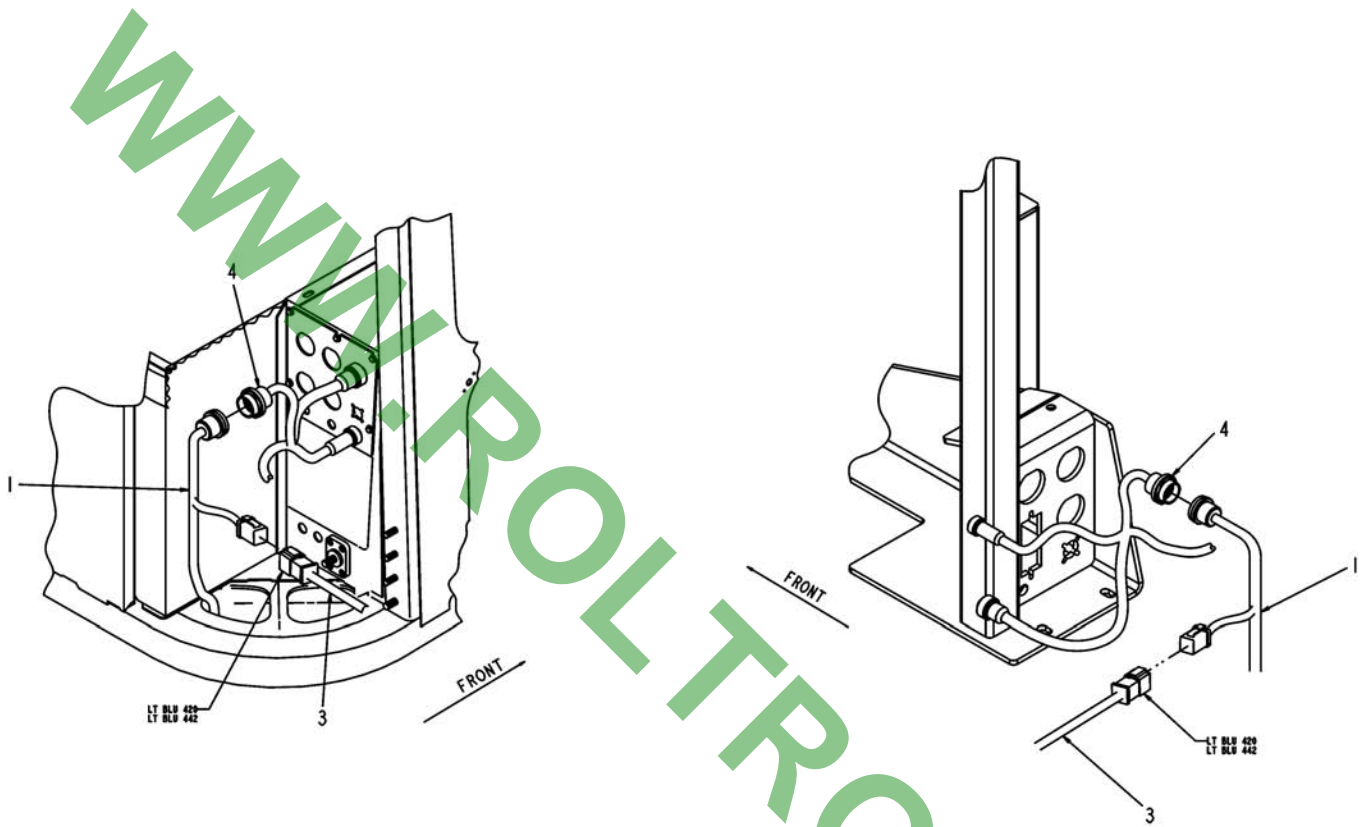
ITEM	PART #	QTY	DESCRIPTION	COMMENTS
1	AG420146	-	ARMREST INSTL-ELECTRICAL	SEE PAGE 6-13
2	AG518088	1	ROCKER COVER BLANK	
3	AG517396	1	SWITCH DPDT ROCKER	[A]
4	AG108337	1	DECAL SWITCH	
	FOOTNOTE [A]		THIS IS NOT FOR LEFT AND RIGHT BOOM SWING, SHOULD BE A AG609555	
	FOOTNOTE [A]		AG518088 ROCKER COVER BLANK	

WWW.ROLTRONIK.PL



ITEM	PART #	QTY	DESCRIPTION	COMMENTS
1	AG131407	1	HARNESS-RG,LIQ SYS,VIPER	
2	AG131408	1	NODE INSTL-VIPER,RG LIQ	SEE PAGE 7-5
3	AG504293	-	HARNESS-PRODUCT CONTROL(SYS)	
4	AG131381	-	HARNESS-RADAR,VIPER	

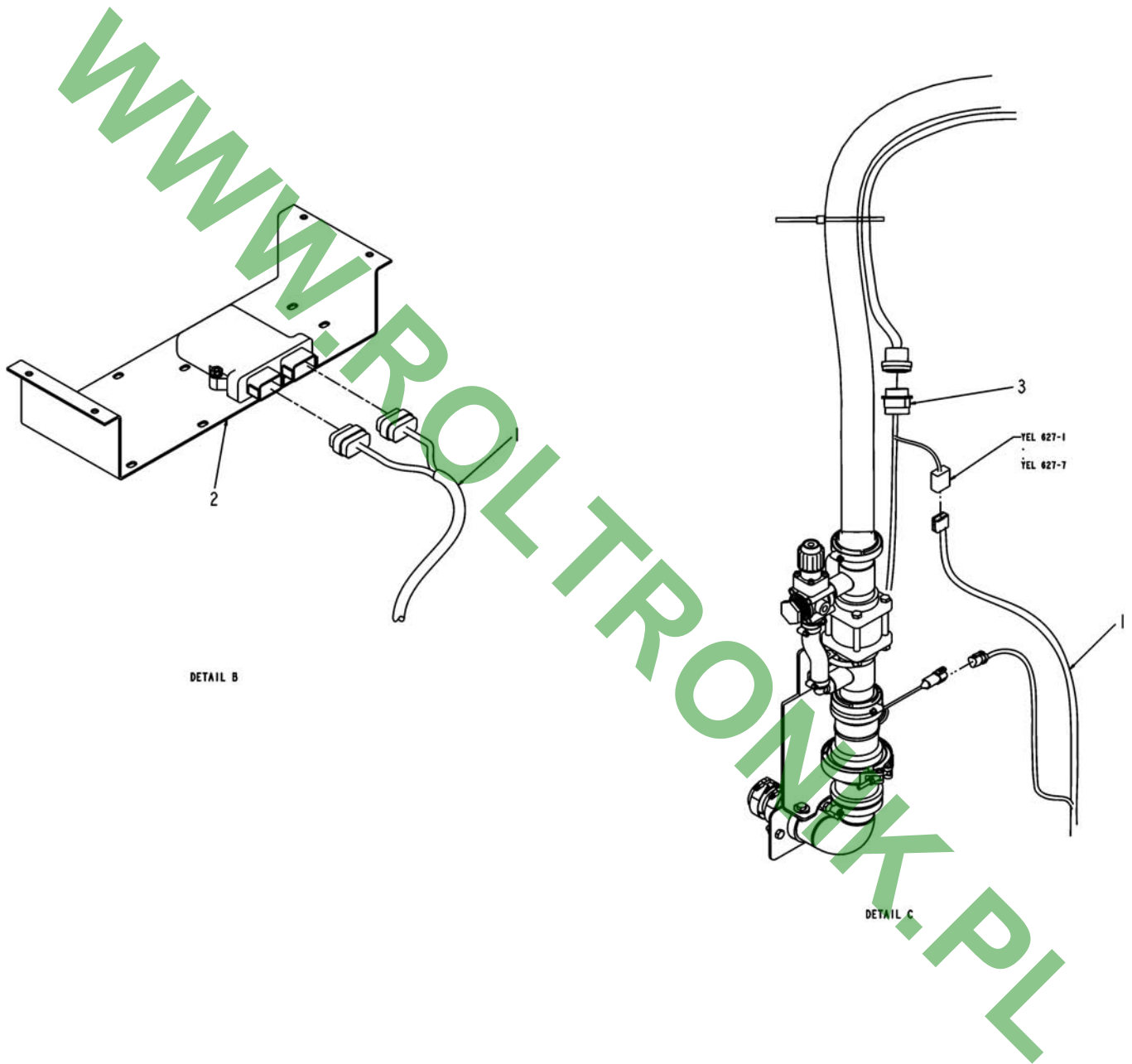
WWW.ROLTRONIK.PL



DETAIL A

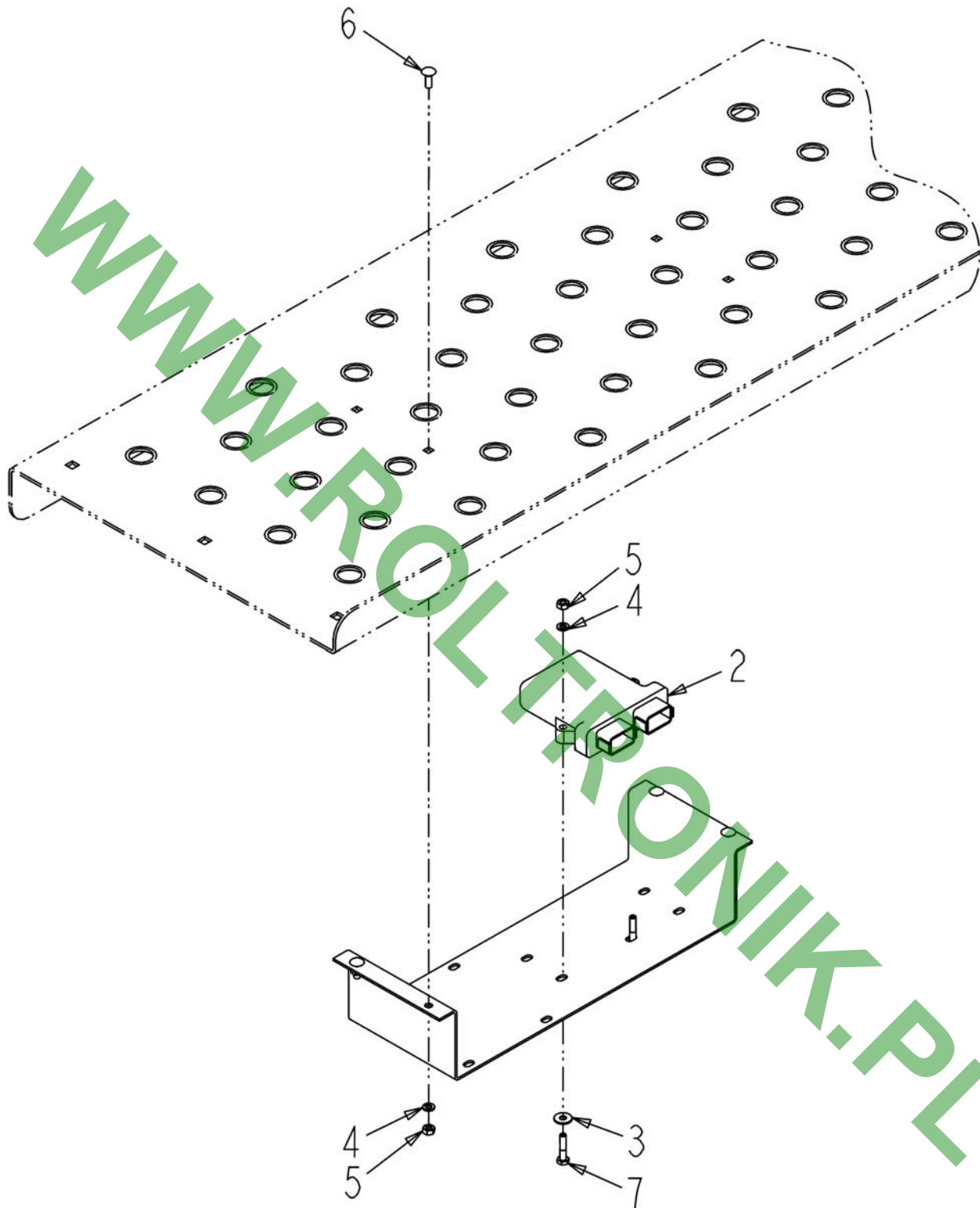
ITEM	PART #	QTY	DESCRIPTION	COMMENTS
1	AG131407	1	HARNES-RO,LIQ SYS,VIPER	
2	AG131408	1	NODE INSTL-VIPER,RO LIQ	SEE PAGE 7-5
3	AG504293	-	HARNES-PRODUCT CONTROL(SYS)	
4	AG131381	-	HARNES-RADAR,VIPER	

WWW.ROLTRONIK.PL



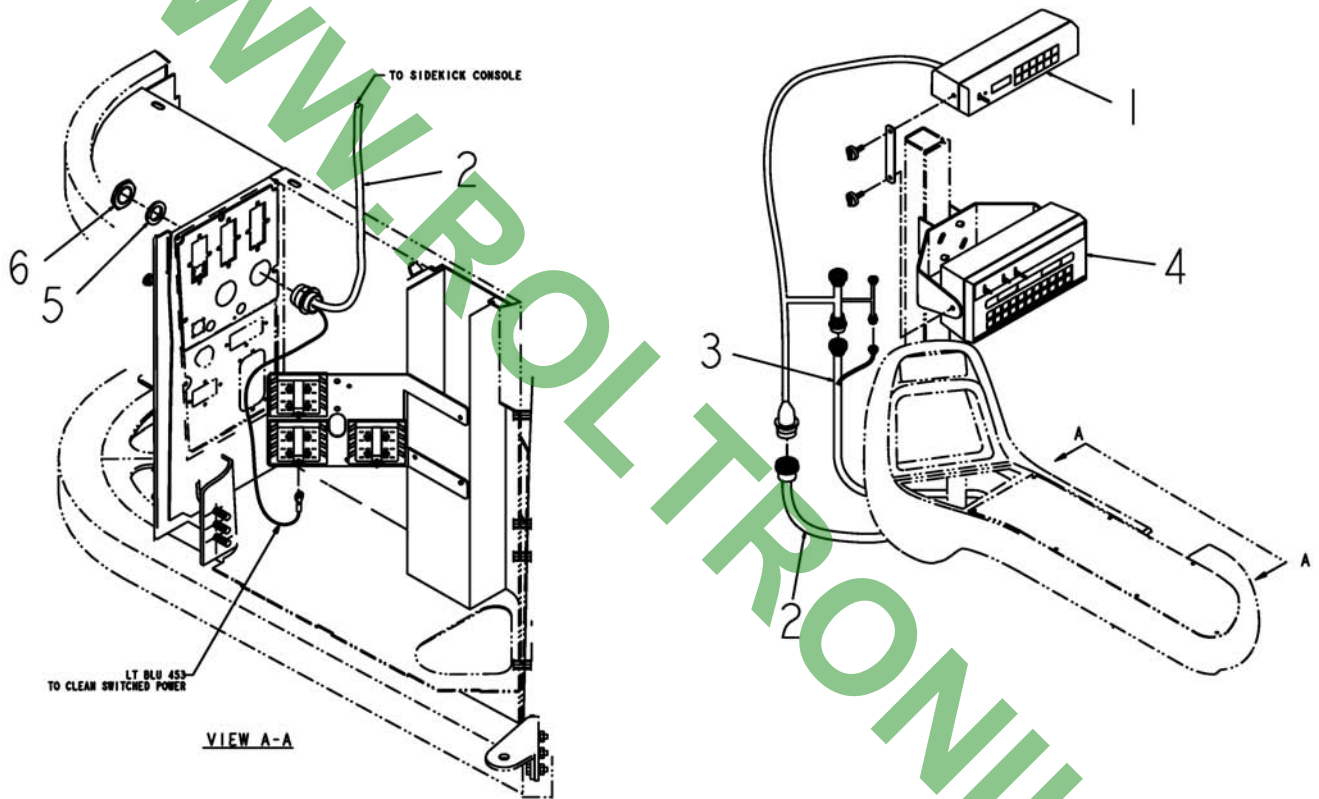
ITEM	PART #	QTY	DESCRIPTION	COMMENTS
1	AG131407	1	HARNESS-RG,LIQ SYS,VIPER	
2	AG131408	1	NODE INSTL-VIPER,RG LIQ	SEE PAGE 7-5
3	AG504293	-	HARNESS-PRODUCT CONTROL(SYS)	
4	AG131381	-	HARNESS-RADAR,VIPER	

WWW.ROLTRONIK.PL



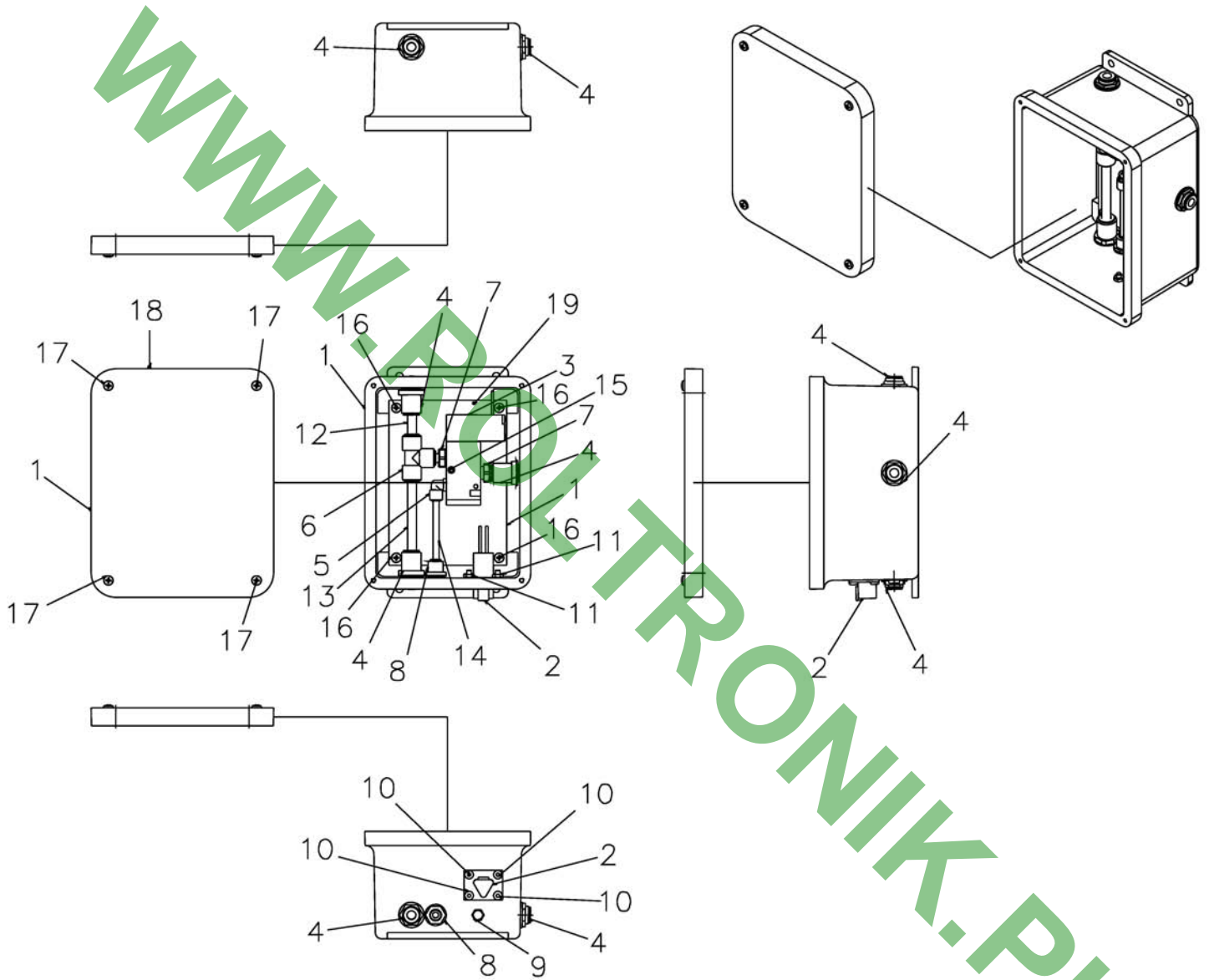
ITEM	PART #	QTY	DESCRIPTION	COMMENTS
1	AG122310	1	BRKT-MTG,NODE/TOGGLE BOX	
2	AG126234	1	NODE-SINGLE PRODUCT,PWM	[A]
3	AG515121	2	WASHER 0.25 FL SS REG	
4	AG515122	6	WASHER LK 0.25 SS REG	
5	AG515123	6	NUT 0.25-20NC HEX SS REG	
6	AG523491	4	BOLT-.25-20NCX.75,SS,CRG	
7	AG561952	2	BOLT 0.25-20NCX 1.25 S.S. HDD	
	FOOTNOTE [A]		THIS NODE IS FOR PWM CONTROL	

WWW.ROLTRONIK.PL

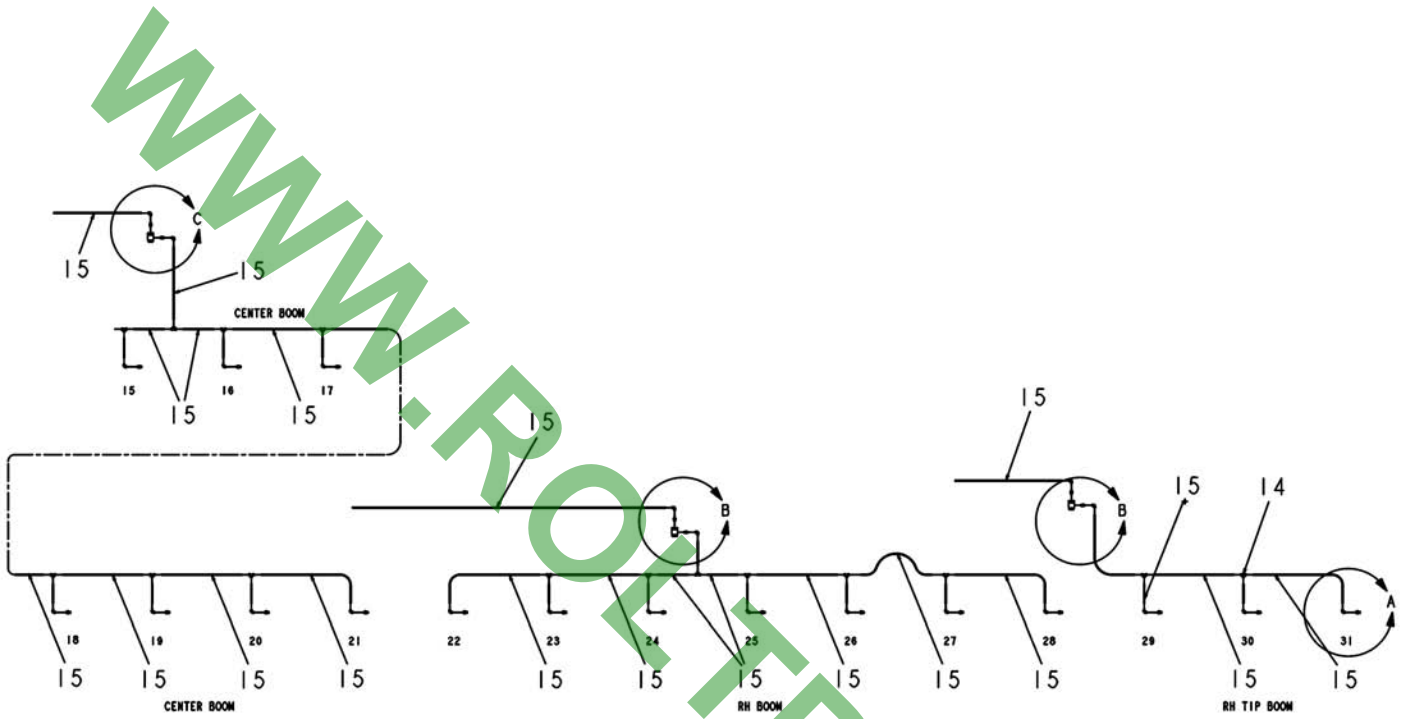


ITEM	PART #	QTY	DESCRIPTION	COMMENTS
1	AG524440	1	CONSOLE-SDKCK,RVN	
2	AG126092	1	HARNESS-SDKCK (IN CAB)	
3	AG504298	-	HARNESS-CONT,RVN 661	
4	AG523542	-	CONSOLE-CONT,RVN 661,10 BOOM	[A]
5	AG515698	1	WASHER LOCK ELEC CONNECTOR	
6	AG515697	1	NUT PANEL ELEC CONNECTOR	
	FOOTNOTE [A]		FOR REPLACEMENT KNOB USE AG709338	

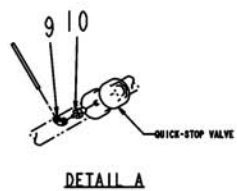
WWW.ROLTRONIK.PL



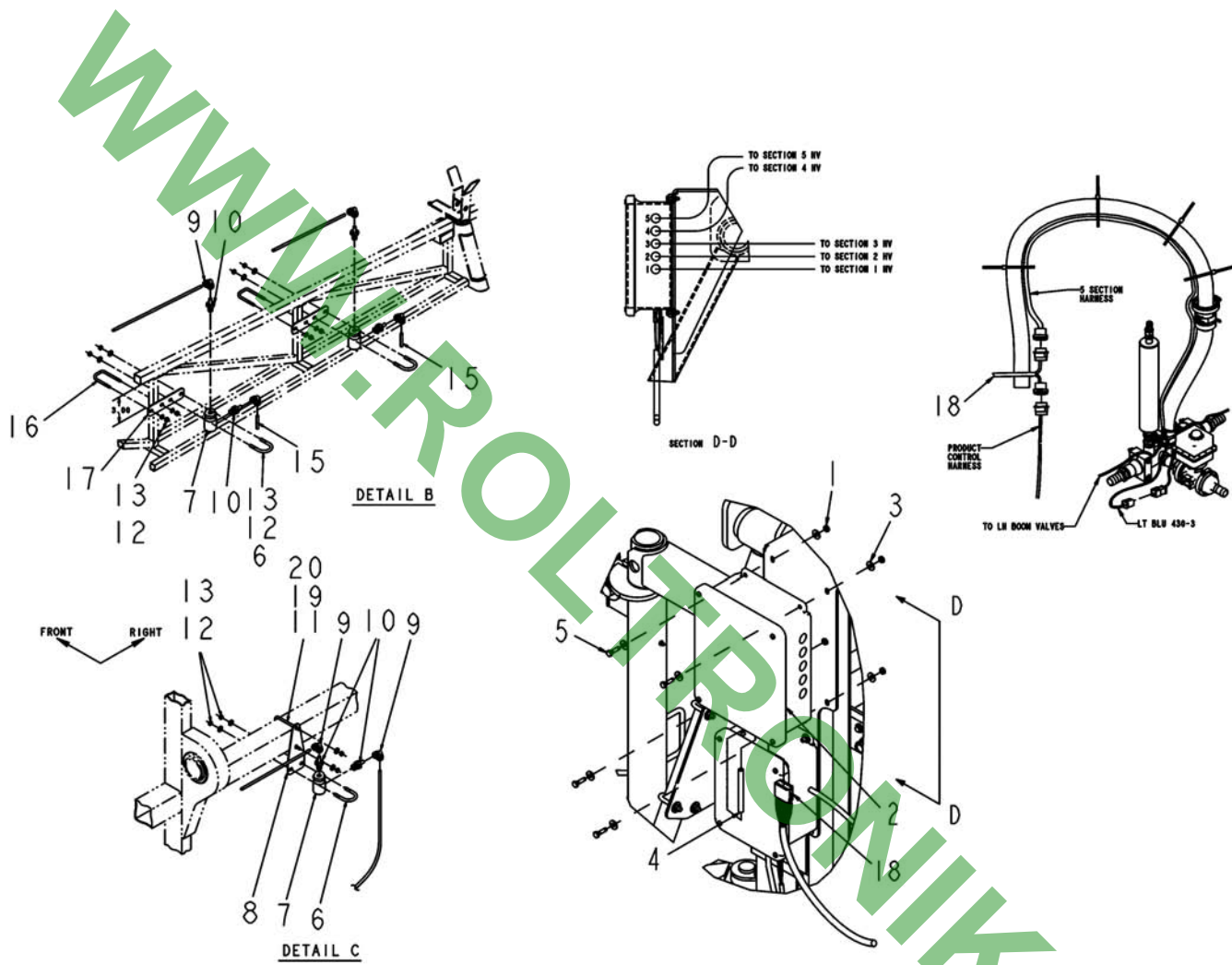
ITEM	PART #	QTY	DESCRIPTION	COMMENTS
1	NS	1	NON-SERVICEABLE PART	
2	AG522335	1	CONN-RCPT,3WAY,W/BOOT,BULKHEAD	
3	AG726952	1	VALVE / AIR	[A]
4	AG520939	3	UNION-BULKHEAD,.38 TUBE	
5	AG516643	1	ELBOW 90D 0.25TUBE X0.25NPT	
6	AG516478	1	TEE UNION 0.37 TUBE AUTO LOCK	
7	AG517851	2	STEM MALE TUBE 0.37X0.25 NPT	
8	AG518668	1	UNION BULKHEAD 0.25 TUBE	
9	AG726845	1	MUFFLER/AIR	
10	NS	4	NON-SERVICEABLE PART	
11	NS	4	NON-SERVICEABLE PART	
12	AG514288	-	TUBING 0.37 OD NYLON(015669) [BULK: 1.000 FT]	
13	AG514288	-	TUBING 0.37 OD NYLON(015669) [BULK: 1.000 FT]	
14	AG511021	-	TUBING 0.25 OD NYLON BLACK [BULK: 1.000 FT]	[B]
15	AG562199	1	SCREW 8-32X1.25 ZN RD HD	
16	AG561637	4	SCREW 10-32X0.37MAC RDHD SL ZN	
17	AG517975	4	SCREW 10-24NCX0.50 RD HD SS	
18	NS	1	NON-SERVICEABLE PART	
19	NS	1	NON-SERVICEABLE PART	
	FOOTNOTE [A]		AG721482 REPAIR KIT	
	FOOTNOTE [A]		COMPLETE VALVE AG726952	
	FOOTNOTE [B]		1000 FOOT PER ROLL, AG562912 OR AG518622 FOR ACID	
	FOOTNOTE:		AG726952 - VALVE ONLY	
	FOOTNOTE:		AG721482 - VALVE REPAIR KIT	



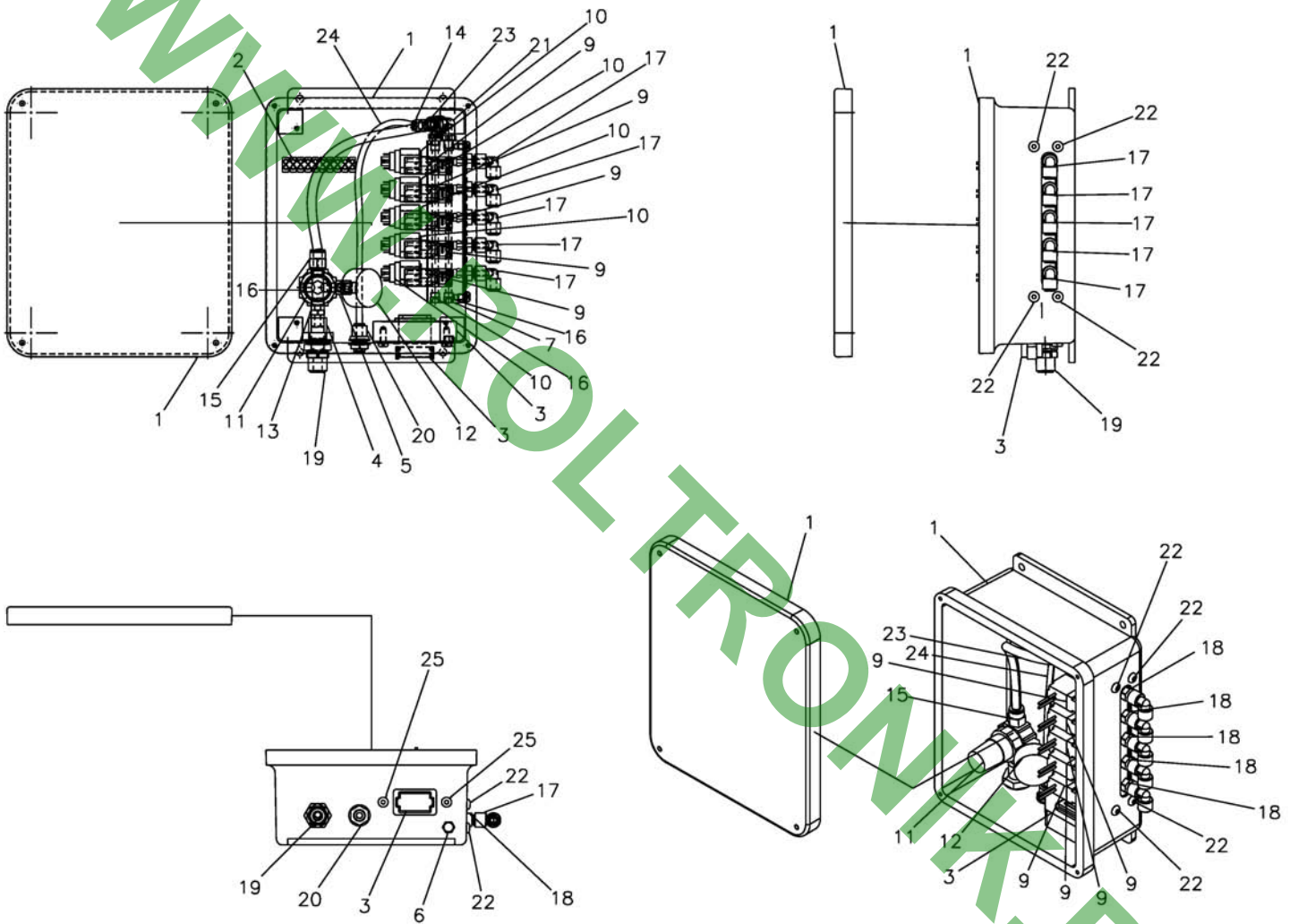
BOOM SYSTEM PLUMBING
RIGHT SIDE AND CENTER SHOWN
LEFT SIDE SAME EXCEPT AS NOTED



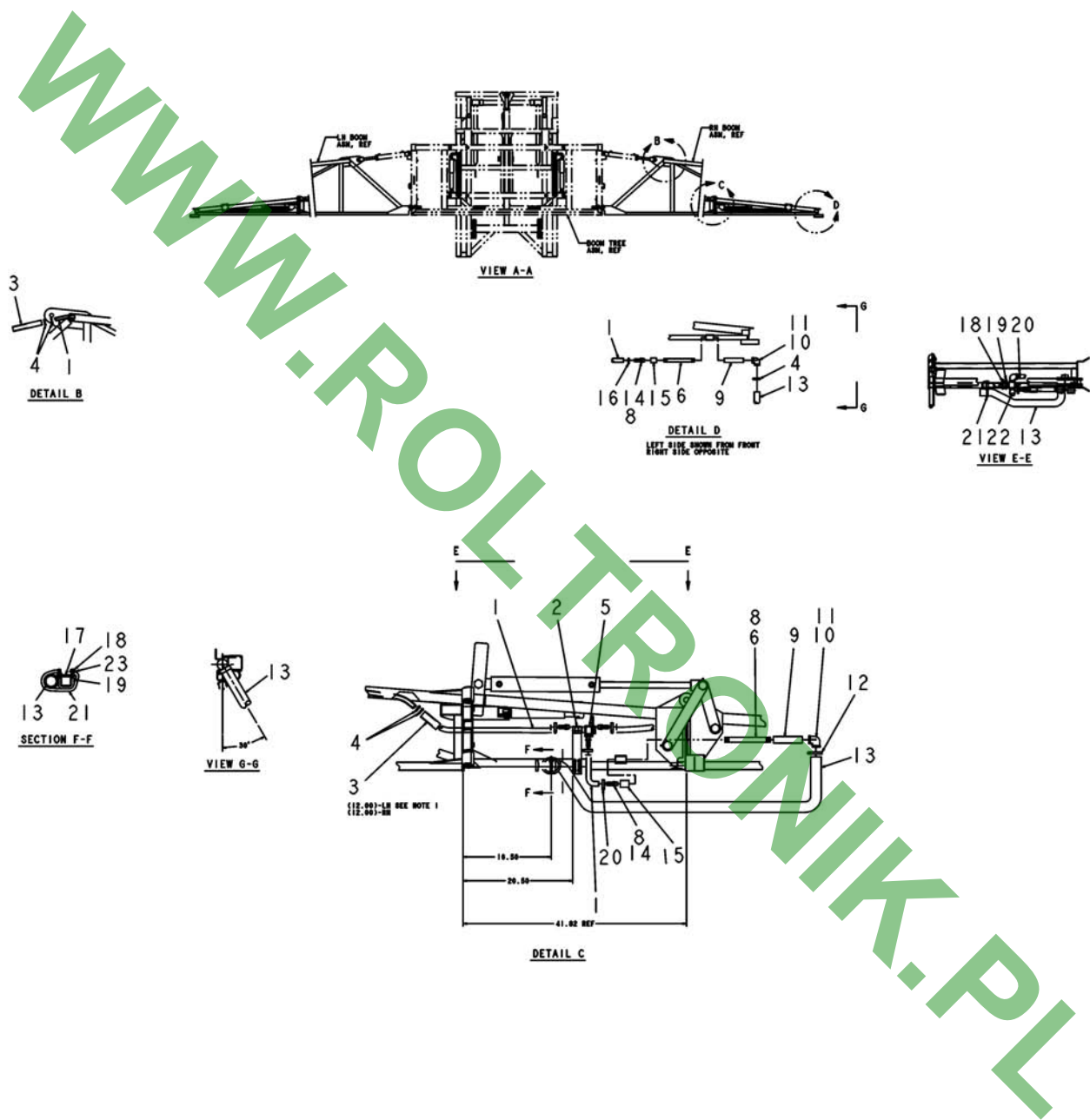
ITEM	PART #	QTY	DESCRIPTION	COMMENTS
1	AG027275	4	NUT,NY-LOCK 1/4-20 SS HX (P)	
2	AG122561	1	BOX ASM-AIR,HIGH VOLUME	SEE PAGE 8-3
3	AG515121	8	WASHER 0.25 FL SS REG	
4	AG518847	-	TUBING H.D.P.E. 3/8 IN [BULK: 0.417 FT]	
5	AG562064	4	BOLT 0.25-20NCX 1.00 S.S. HHD	[A]
6	AG516402	5	BOLT-U .31-18X1.56X 2.25RD SS	
7	AG519314	5	VALVE-QUICK EXHAUST,POLY	SEE PAGE 4-44
8	AG239873	1	BRACKET-MTG,VALVE,RELIEF,CTR	
9	AG516229	41	ELBOW,UNION 0.25TUBE AUTO LCK	[B]
10	AG516230	41	STEM MALE TUBE 0.25 X 0.25	
11	AG234310	1	U-BOLT - 2.56 X 3.50 SQ.	
12	AG562074	18	WASHER FL 0.31 SS REG	
13	AG516403	18	NUT 0.31-18NC HEX ESNA SS	
14	AG516206	16	TEE UNION 0.25 TUBE AUTO LOCK	
15	AG518622	-	TUBING AIRLINE 0.25OD POLTHN [BULK: 257.584 FT]	
16	AG231204	4	BOLT-U .31-18X1.88X2.63	[C]
17	AG239874	4	BRACKET-MTG,VALVE,RELIEF,BOOM	
18	AG122453	1	HARNES-ADPTR,HV	
19	AG601411	2	NUT 0.37-16NC HEX ZN REG LK NY	
20	AG562073	2	WASHER FL 0.37 SS REG	
	FOOTNOTE [A]		STAINLESS STEEL	
	FOOTNOTE [B]		SEE SERVICE UPDATE #9387	
	FOOTNOTE [C]		WASHER AG562074, NUT AG516403	



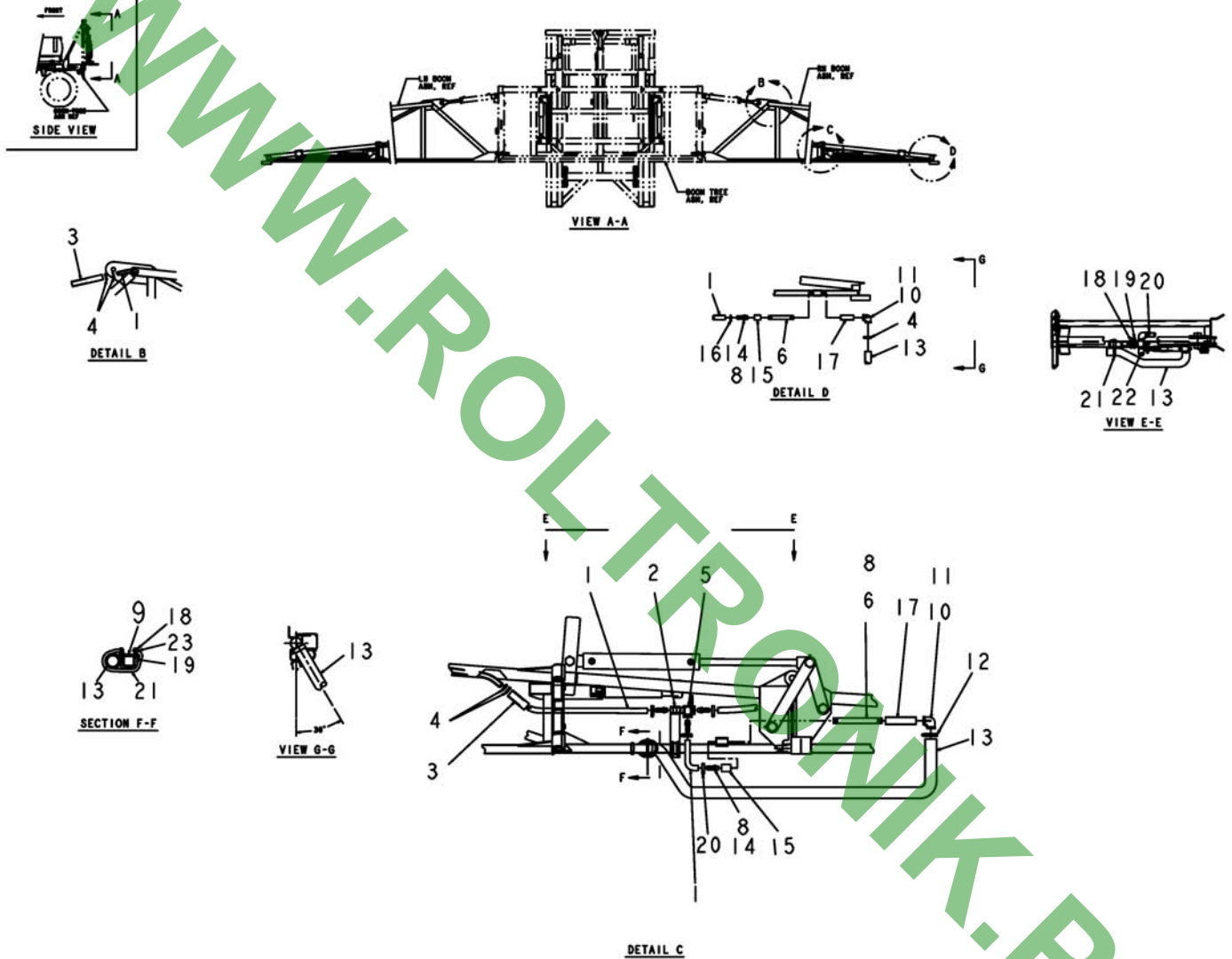
ITEM	PART #	QTY	DESCRIPTION	COMMENTS
1	AG027275	4	NUT,NY-LOCK 1/4-20 SS HX (P)	
2	AG122561	1	BOX ASM-AIR,HIGH VOLUME	SEE PAGE 8-3
3	AG515121	8	WASHER 0.25 FL SS REG	
4	AG518847	-	TUBING H.D.P.E. 3/8 IN [BULK: 0.417 FT]	
5	AG562064	4	BOLT 0.25-20NCX 1.00 S.S. HHD	[A]
6	AG516402	5	BOLT-U .31-18X1.56X 2.25RD SS	
7	AG519314	5	VALVE-QUICK EXHAUST,POLY	SEE PAGE 4-44
8	AG239873	1	BRACKET-MTG,VALVE,RELIEF,CTR	
9	AG516229	41	ELBOW,UNION 0.25TUBE AUTO LCK	[B]
10	AG516230	41	STEM MALE TUBE 0.25 X 0.25	
11	AG234310	1	U-BOLT - 2.56 X 3.50 SQ.	
12	AG562074	18	WASHER FL 0.31 SS REG	
13	AG516403	18	NUT 0.31-18NC HEX ESNA SS	
14	AG516206	16	TEE UNION 0.25 TUBE AUTO LOCK	
15	AG518622	-	TUBING AIRLINE 0.25OD POLTHN [BULK: 257.584 FT]	
16	AG231204	4	BOLT-U .31-18X1.88X2.63	[C]
17	AG239874	4	BRACKET-MTG,VALVE,RELIEF,BOOM	
18	AG122453	1	HARNES-ADPTR,HV	
19	AG601411	2	NUT 0.37-16NC HEX ZN REG LK NY	
20	AG562073	2	WASHER FL 0.37 SS REG	
	FOOTNOTE [A]		STAINLESS STEEL	
	FOOTNOTE [B]		SEE SERVICE UPDATE #9387	
	FOOTNOTE [C]		WASHER AG562074, NUT AG516403	



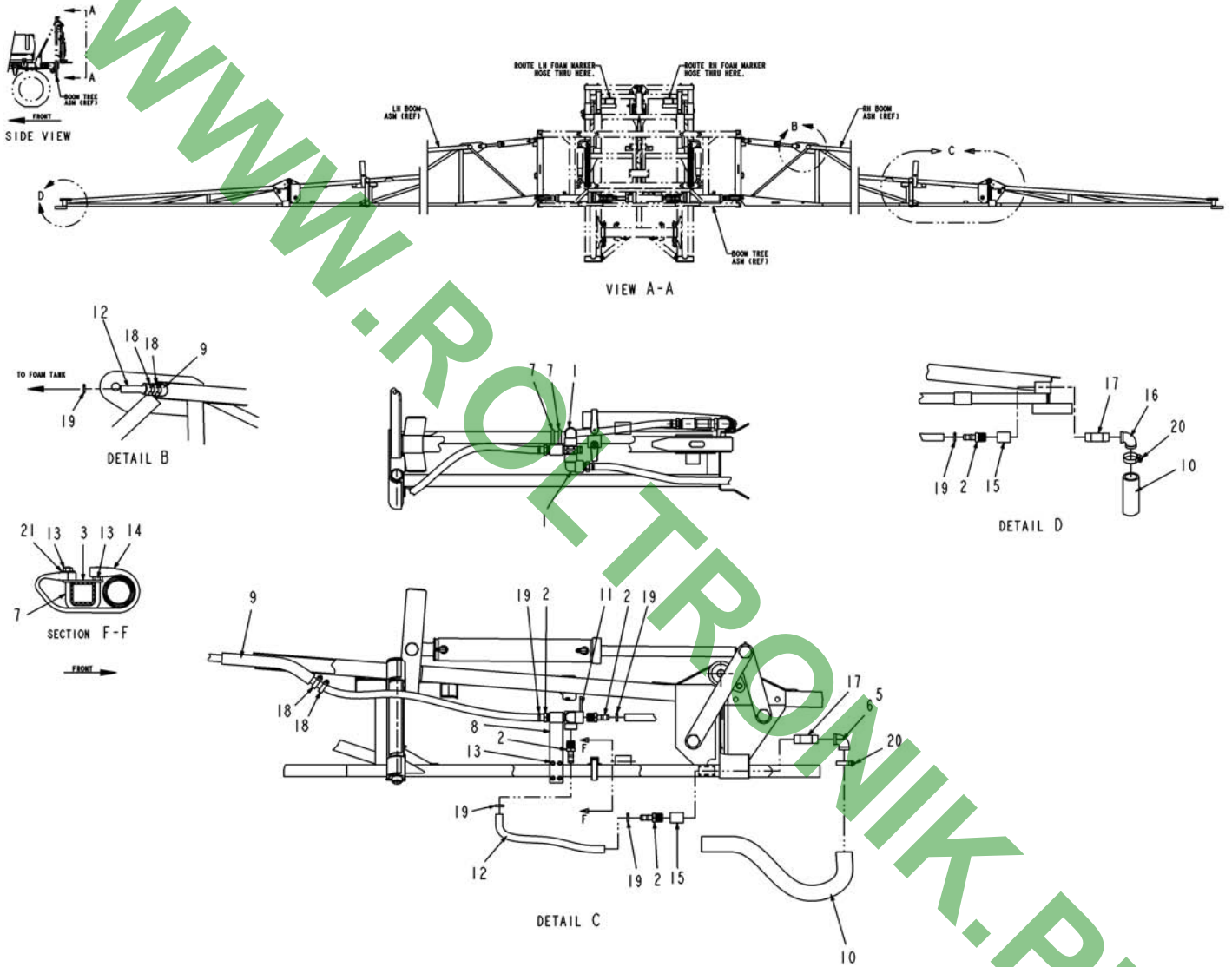
ITEM	PART #	QTY	DESCRIPTION	COMMENTS
1	AG726847	1	ENCLOSURE/AIR BOX HV	
2	AG726846	1	STRIP/TERMINAL	
3	AG521959	1	CONN-RCPT,12WAY,A INDEX	
4	AG726848	1	BULKHEAD/BRASS	
5	AG726849	1	ELBOW/45 AIR	
6	AG726845	1	MUFFLER/AIR	
7	AG726844	1	MANIFOLD/AIR VALVE	
8	AG726843	1	GASKET/AIR VALVE	
9	AG518625	5	VALVE SOLENOID	[A]
10	AG520970	5	SWITCH-AIR,NORMALLY CLOSED	
11	AG519079	1	REGULATOR MINIATURE 0-125PSI	[B]
12	AG726850	1	GAUGE/AIR	
13	AG726841	1	NIPPLE/HEX	
14	AG726839	1	ELBOW/SWIVEL MALE	
15	AG726838	1	CONNECTOR/MALE	
16	AG609024	3	PLUG-PIPE,0.12NPT,HEX SOC HD	
17	AG516229	5	ELBOW,UNION 0.25TUBE AUTO LCK	[C]
18	AG516231	5	STEM MALE TUBE 0.25X0.12	
19	AG516481	1	CONNECTOR M 0.38X0.25NPT AUTLK	
20	AG518668	1	UNION BULKHEAD 0.25 TUBE	
21	AG726837	1	ELBOW / SWL	
22	AG562047	4	BOLT 0.25-20NCX 0.50 S.S. HHD	
23	AG514288	-	TUBING 0.37 OD NYLON(015669) [BULK: 1.000 FT]	
24	AG511021	-	TUBING 0.25 OD NYLON BLACK [BULK: 1.000 FT]	[D]
25	AG562327	2	BOLT M6-1.00X20MM G8.8 ZN HHD	
	FOOTNOTE [A]		VALVE BODY ONLY AG723367, ALSO CAN USE AG235514 OR AG217631	
	FOOTNOTE [A]		QUICK STOP & END ROW, 7.3 WATT, AG133543-BOLT KIT	
	FOOTNOTE [A]		AG133543-BOLT KIT	
	FOOTNOTE [B]		REPAIR KIT AG609851 (FOR A WATTS REGULATOR), GAUGE ONLY - AG519080	
	FOOTNOTE [B]		REGULATOR ONLY - AG120745	
	FOOTNOTE [C]		SEE SERVICE UPDATE #9387	
	FOOTNOTE [D]		1000 FOOT PER ROLL, AG562912 OR AG518622 FOR ACID	



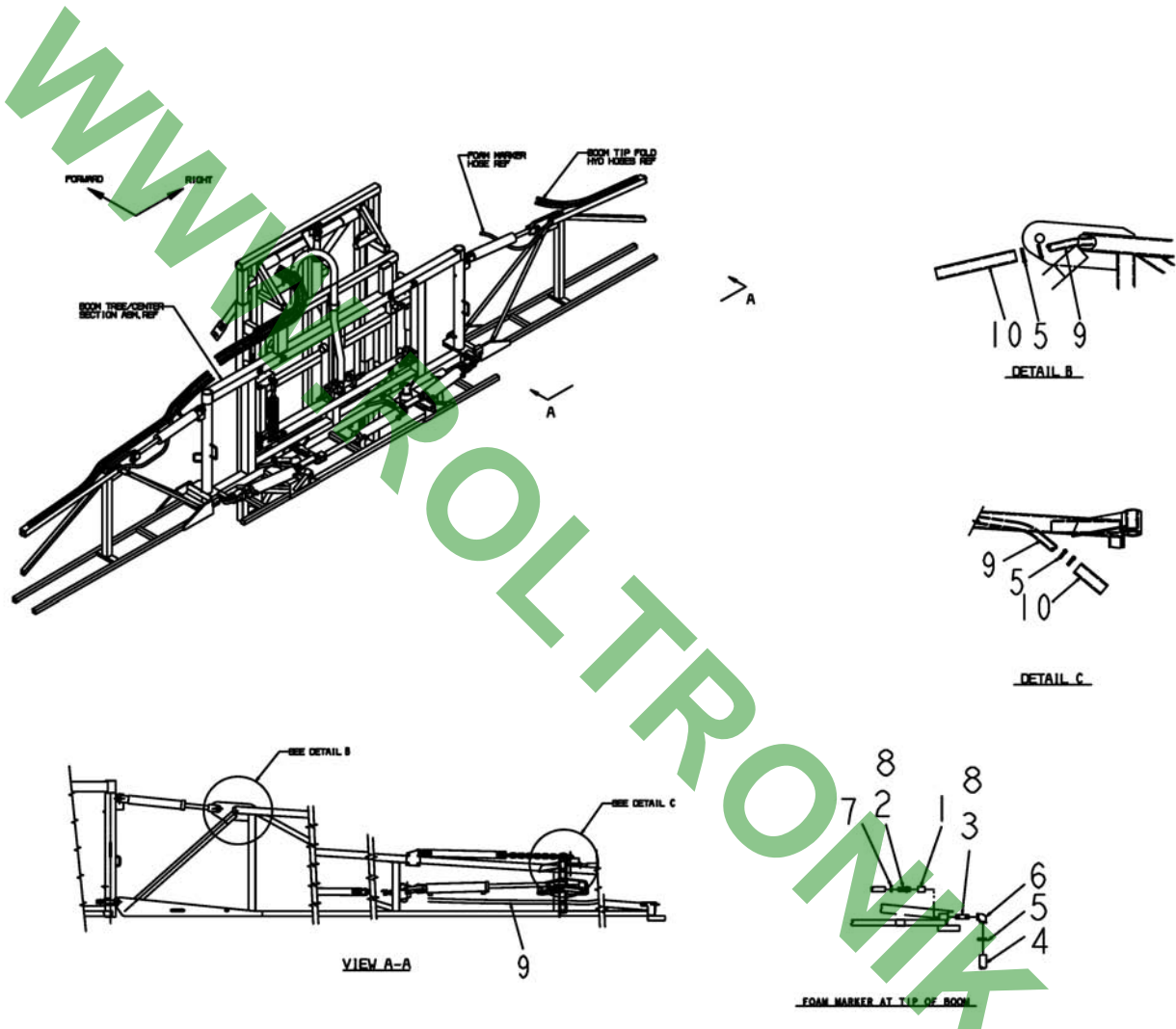
ITEM	PART #	QTY	DESCRIPTION	COMMENTS
1	AG515449	-	HOSE 0.62 CLEAR VINYL [BULK: 110.000 FT]	
2	AG232718	2	MOUNT VALVE WLDMT	
3	AG511528	-	HOSE 1.00 2BRD EPDM [BULK: 4.200 FT]	
4	AG561213	10	CLAMP 0.81-1.50 HOSE 16HS	
5	AG515001	2	VALVE 3-WAY 0.75NPT MA PVC	[A]
6	AG108618	4	NIPPLE 0.75NPTX 8.50 SCH40	
8	AG129187	AR	PIPE SEALANT-POLY SEAL	
9	AG108617	4	SPACER PIPE	
10	AG217585	2	ELBOW FOAM MARKER WLDMT LH	
11	AG217586	2	ELBOW FOAM MARKER WLDMT RH	
12	AG561231	2	CLAMP 1.06-2.00 HOSE 24HS	
13	AG512230	-	HOSE 1.50 2BRD EPDM [BULK: 8.400 FT]	
14	AG051180	10	BARB-HOSE,0.75MNPTX0.62BARB,PP	
15	AG553875	4	COUPLING 0.75NS PIPE STEEL PL	
16	AG561227	2	CLAMP 0.44-0.78 HOSE 6HS	
17	AG108935	2	PLATE BACKING	
18	AG516403	24	NUT 0.31-18NC HEX ESNA SS	
19	AG231204	6	BOLT-U .31-18X1.88X2.63	[B]
20	AG561215	8	CLAMP 0.50-0.91 HOSE 8HS	
21	AG523327	2	STRAP-HOLDDOWN,14.00,EPDM	
22	AG051126	4	ELBOW-PIPE,0.75FNPT,90D,PP	
23	AG562074	18	WASHER FL 0.31 SS REG	
	FOOTNOTE [A]		HANDLE ONLY- AG711378	
	FOOTNOTE [B]		WASHER AG562074, NUT AG516403	



ITEM	PART #	QTY	DESCRIPTION	COMMENTS
1	AG515449	-	HOSE 0.62 CLEAR VINYL [BULK: 110.000 FT]	
2	AG232718	2	MOUNT VALVE WLDMT	
3	AG511528	-	HOSE 1.00 2BRD EPDM [BULK: 4.200 FT]	
4	AG561213	10	CLAMP 0.81-1.50 HOSE 16HS	
5	AG515001	2	VALVE 3-WAY 0.75NPT MA PVC	[A]
6	AG217656	4	NIPPLE .75 IN X6.5 IN	
8	AG129187	AR	PIPE SEALANT-POLY SEAL	
9	AG108935	2	PLATE BACKING	
10	AG217585	2	ELBOW FOAM MARKER WLDMT LH	
11	AG217586	2	ELBOW FOAM MARKER WLDMT RH	
12	AG561231	2	CLAMP 1.06-2.00 HOSE 24HS	
13	AG512230	-	HOSE 1.50 2BRD EPDM [BULK: 8.400 FT]	
14	AG051180	10	BARB-HOSE,0.75MNPTX0.62BARB,PP	
15	AG553875	4	COUPLING 0.75NS PIPE STEEL PL	
16	AG561227	2	CLAMP 0.44-0.78 HOSE 6HS	
17	AG217642	4	PIPE SPACER	
18	AG516403	24	NUT 0.31-18NC HEX ESNA SS	
19	AG231204	6	BOLT-U .31-18X1.88X2.63	[B]
20	AG561215	8	CLAMP 0.50-0.91 HOSE 8HS	
21	AG523327	2	STRAP-HOLDDOWN,14.00,EPDM	
22	AG051126	4	ELBOW-PIPE,0.75FNPT,90D,PP	
23	AG562074	2	WASHER FL 0.31 SS REG	
	FOOTNOTE [A]		HANDLE ONLY- AG711378	
	FOOTNOTE [B]		WASHER AG562074, NUT AG516403	

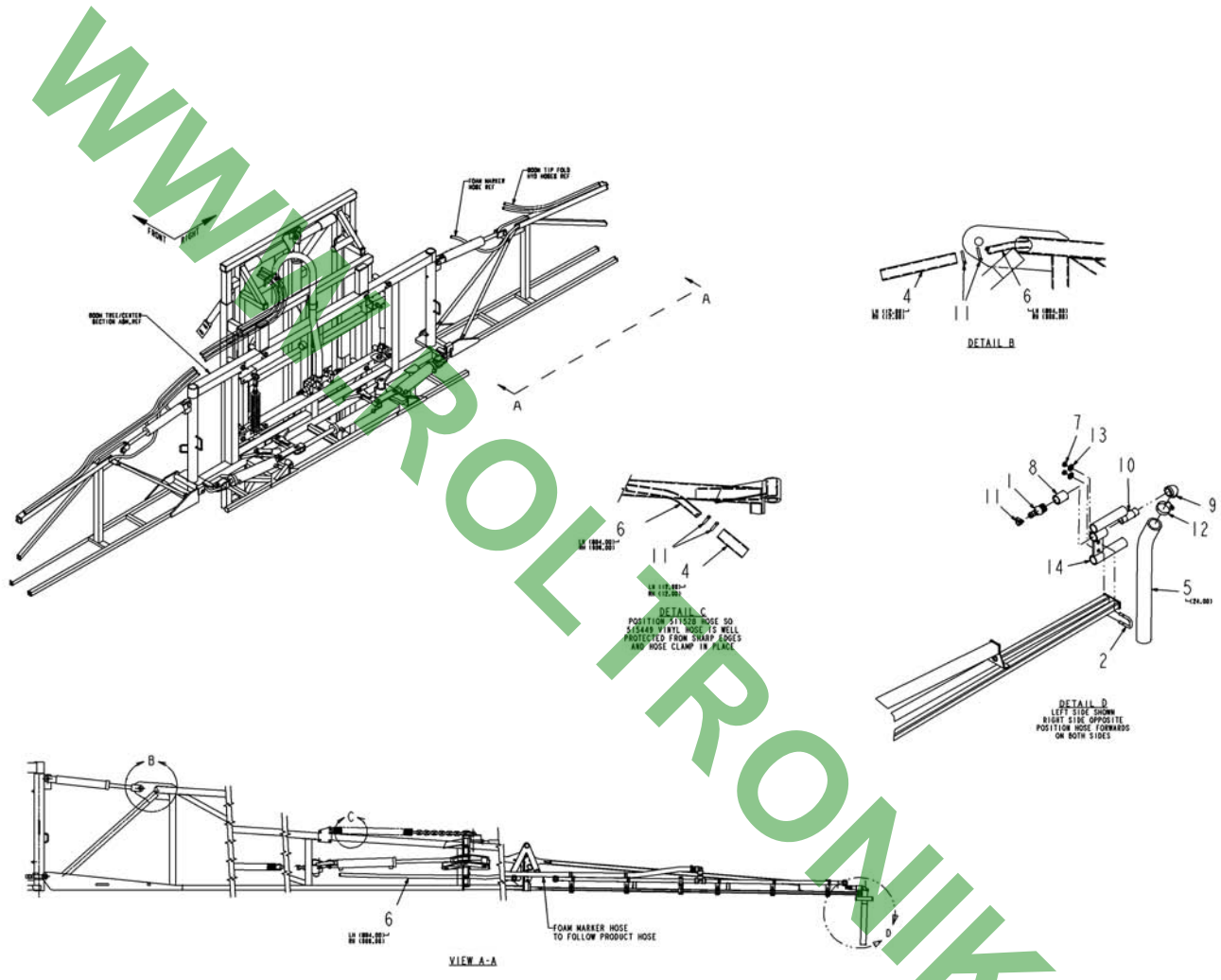


ITEM	PART #	QTY	DESCRIPTION	COMMENTS
1	AG051126	4	ELBOW-PIPE,0.75FNPT,90D,PP	
2	AG051180	10	BARB-HOSE,0.75MNPTX0.62BARB,PP	
3	AG108935	2	PLATE BACKING	
4	AG129187	AR	PIPE SEALANT-POLY SEAL	
5	AG217585	1	ELBOW FOAM MARKER WLDMT LH	
6	AG217586	1	ELBOW FOAM MARKER WLDMT RH	
7	AG231204	6	BOLT-U .31-18X1.88X2.63	[A]
8	AG232718	2	MOUNT VALVE WLDMT	
9	AG511528	-	HOSE 1.00 2BRD EPDM [BULK: 2.450 FT]	
10	AG512230	-	HOSE 1.50 2BRD EPDM [BULK: 8.400 FT]	
11	AG515001	2	VALVE 3-WAY 0.75NPT MA PVC	[B]
12	AG515449	-	HOSE 0.62 CLEAR VINYL [BULK: 111.667 FT]	
13	AG516403	12	NUT 0.31-18NC HEX ESNA SS	
14	AG523327	2	STRAP-HOLDDOWN,14.00,EPDM	
15	AG553875	4	COUPLING 0.75NS PIPE STEEL PL	
16	AG554480	2	ELBOW 90D 0.75NPT MAL IR PL	
17	AG559385	4	NIPPLE 0.75NPTX 3.00PIPE WR IR	
18	AG561213	8	CLAMP 0.81-1.50 HOSE 16HS	
19	AG561215	12	CLAMP 0.50-0.91 HOSE 8HS	
20	AG561231	4	CLAMP 1.06-2.00 HOSE 24HS	
21	AG562074	2	WASHER FL 0.31 SS REG	
	FOOTNOTE [A]		WASHER AG562074, NUT AG516403	
	FOOTNOTE [B]		HANDLE ONLY- AG711378	



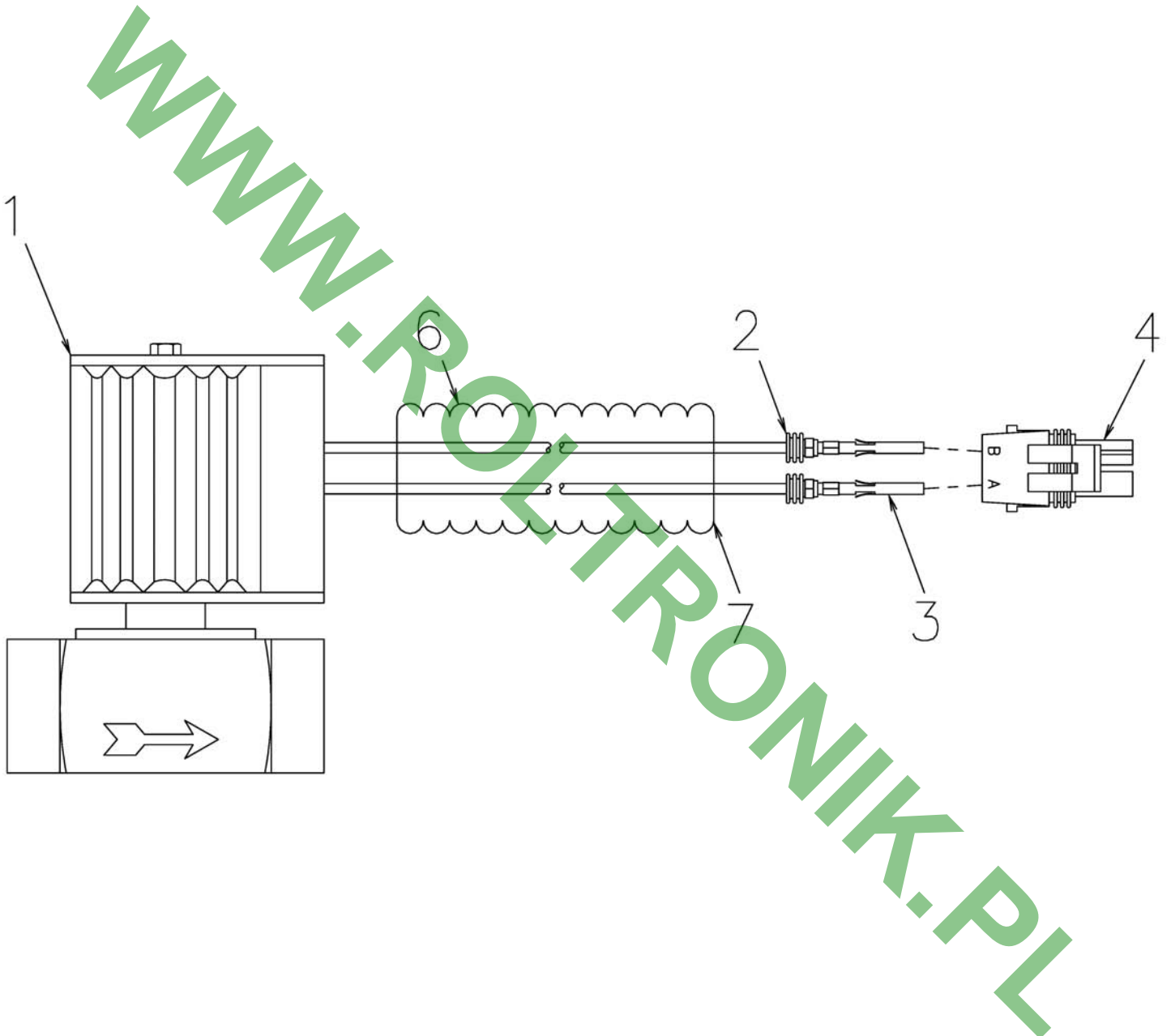
ITEM	PART #	QTY	DESCRIPTION	COMMENTS
1	AG553875	2	COUPLING 0.75NS PIPE STEEL PL	
2	AG051180	2	BARB-HOSE,0.75MNPTX0.62BARB,PP	
3	AG559385	2	NIPPLE 0.75NPTX 3.00PIPE WR IR	
4	AG512230	-	HOSE 1.50 2BRD EPDM [BULK: 4.000 FT]	
5	AG561213	10	CLAMP 0.81-1.50 HOSE 16HS	
6	AG554480	2	ELBOW 90D 0.75NPT MAL IR PL	
7	AG561227	2	CLAMP 0.44-0.78 HOSE 6HS	
8	AG129187	AR	PIPE SEALANT-POLY SEAL	
9	AG515449	-	HOSE 0.62 CLEAR VINYL [BULK: 120.000 FT]	
10	AG511528	-	HOSE 1.00 2BRD EPDM [BULK: 4.000 FT]	

WWW.ROLTRONIK.PL



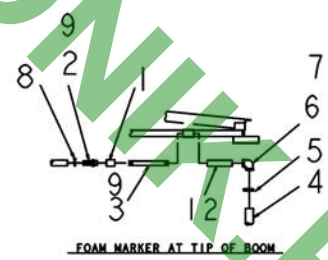
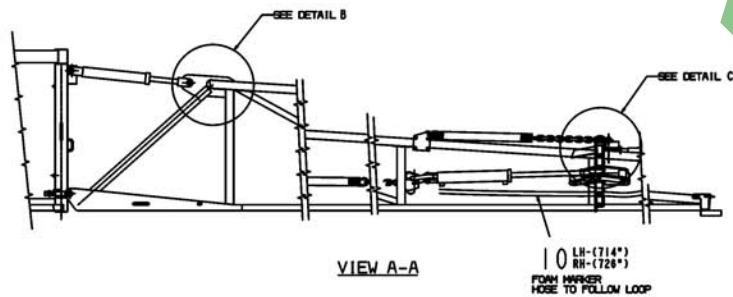
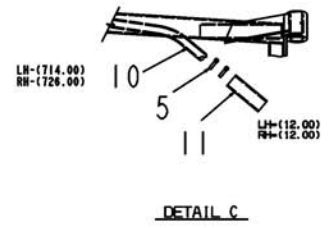
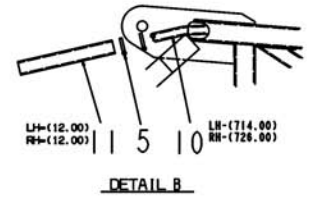
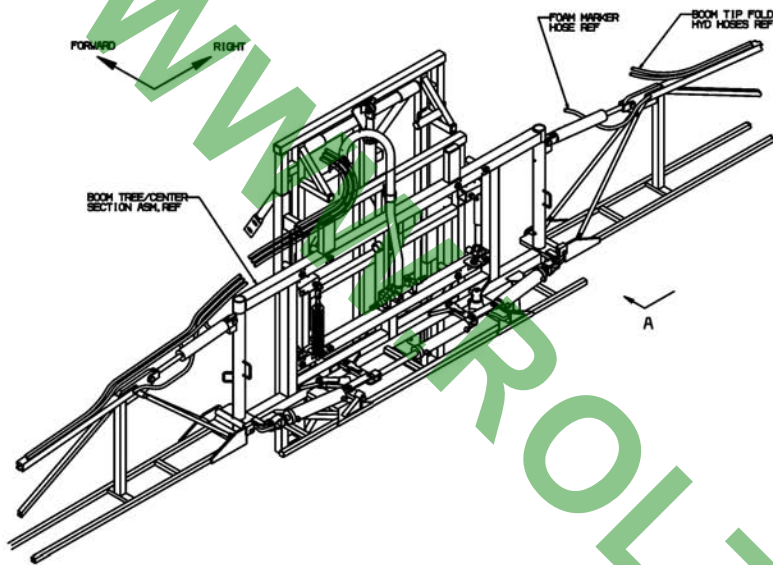
ITEM	PART #	QTY	DESCRIPTION	COMMENTS
1	AG051180	2	BARB-HOSE,0.75MNPTX0.62BARB,PP	
2	WR129144	2	BOLT-U, .31-18X1.06X1.97,SQ,SS	
3	AG129187	AR	PIPE SEALANT-POLY SEAL	
4	AG511528	-	HOSE 1.00 2BRD EPDM [BULK: 4.000 FT]	
5	AG512230	-	HOSE 1.50 2BRD EPDM [BULK: 4.000 FT]	
6	AG515449	-	HOSE 0.62 CLEAR VINYL [BULK: 150.000 FT]	
7	AG516403	4	NUT 0.31-18NC HEX ESNA SS	
8	AG553875	2	COUPLING 0.75NS PIPE STEEL PL	
9	AG554480	2	ELBOW 90D 0.75NPT MAL IR PL	
10	AG559385	2	NIPPLE 0.75NPTX 3.00PIPE WR IR	
11	AG561227	8	CLAMP 0.44-0.78 HOSE 6HS	
12	AG561231	2	CLAMP 1.06-2.00 HOSE 24HS	
13	AG562074	4	WASHER FL 0.31 SS REG	
14	506857D1	2	BRKT WLDMT-MTG,DROP,F/M,BM TIP	

WWW.ROLTRONIK.PL



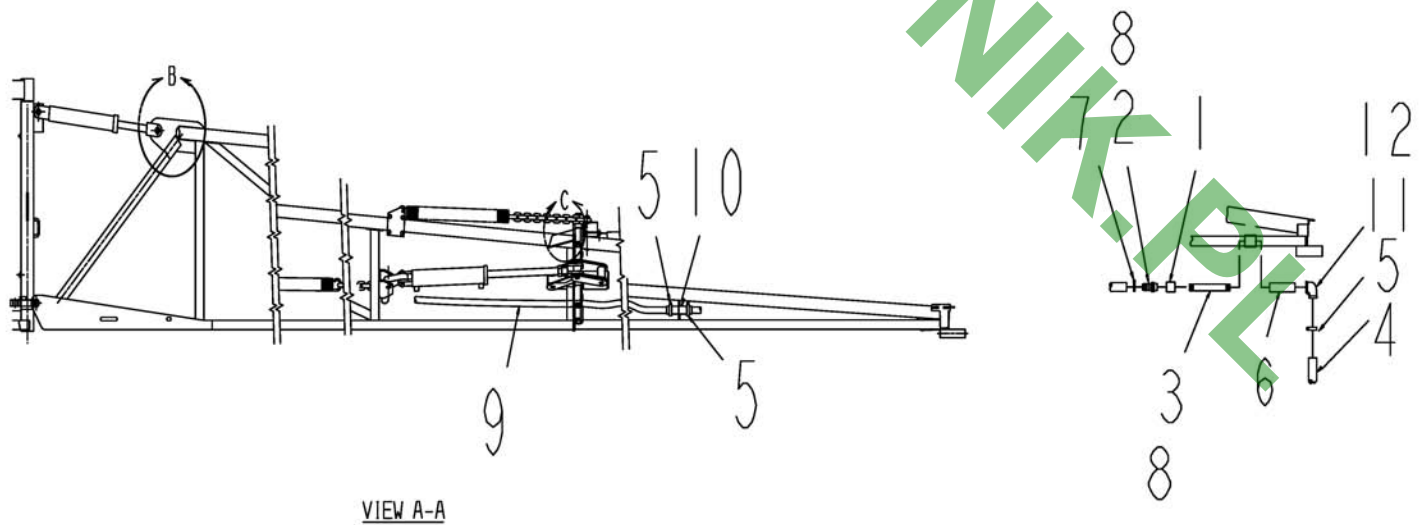
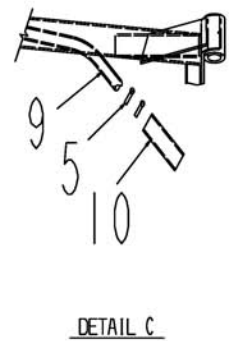
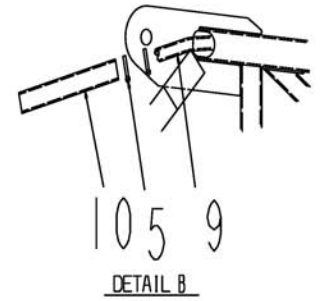
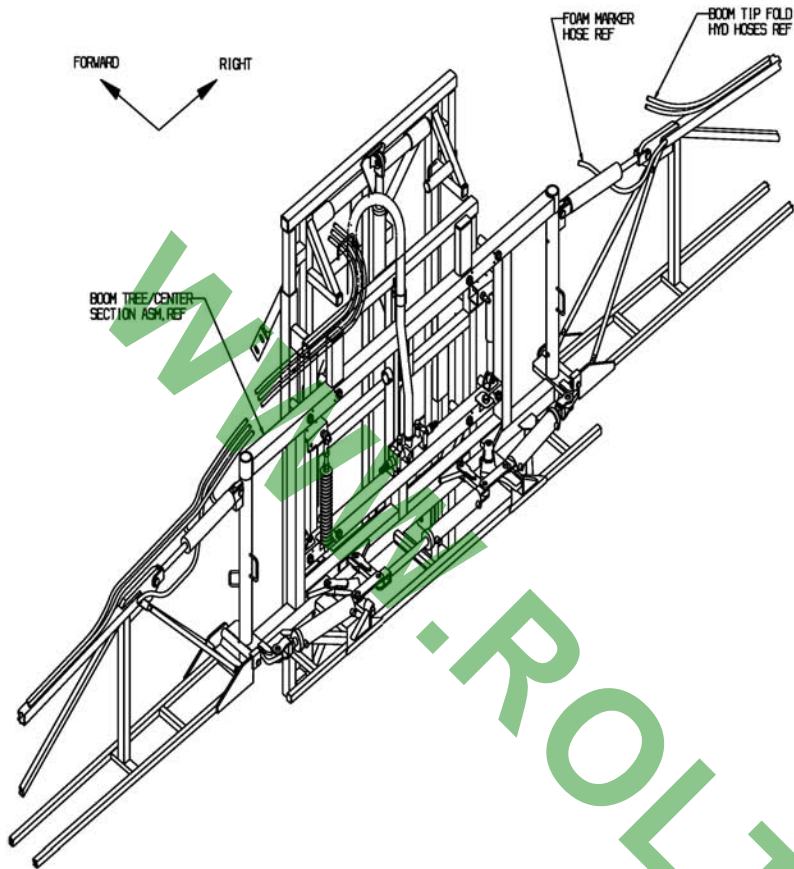
ITEM	PART #	QTY	DESCRIPTION	COMMENTS
1	AG514014	1	VALVE SOLENOID	SEE PAGE 6-12
2	AG515764	2	SEAL CABLE GREEN REEL 18-16 GA	
3	AG517467	2	TERM FE 20-18 GA W/PACK	
4	AG515851	1	CONNECTOR ELEC TOWER 2-CONT M	
6	AG562330	-	FLEX GUARD .250 [BULK: 0.667 FT]	
7	AG513083	AR	TAPE ELECTRICAL 0.75	
	FOOTNOTE:		AG056718- R/K AG701011- COIL AG701016- TUBE ASM. W/O-RING AG701012- PLUNGER SPRING AG701013- PLUNGER ASM., AG701015- LARGER PISTON ASM. AG701014- PISTON ASM.	

WWW.ROLTRONIK.PL



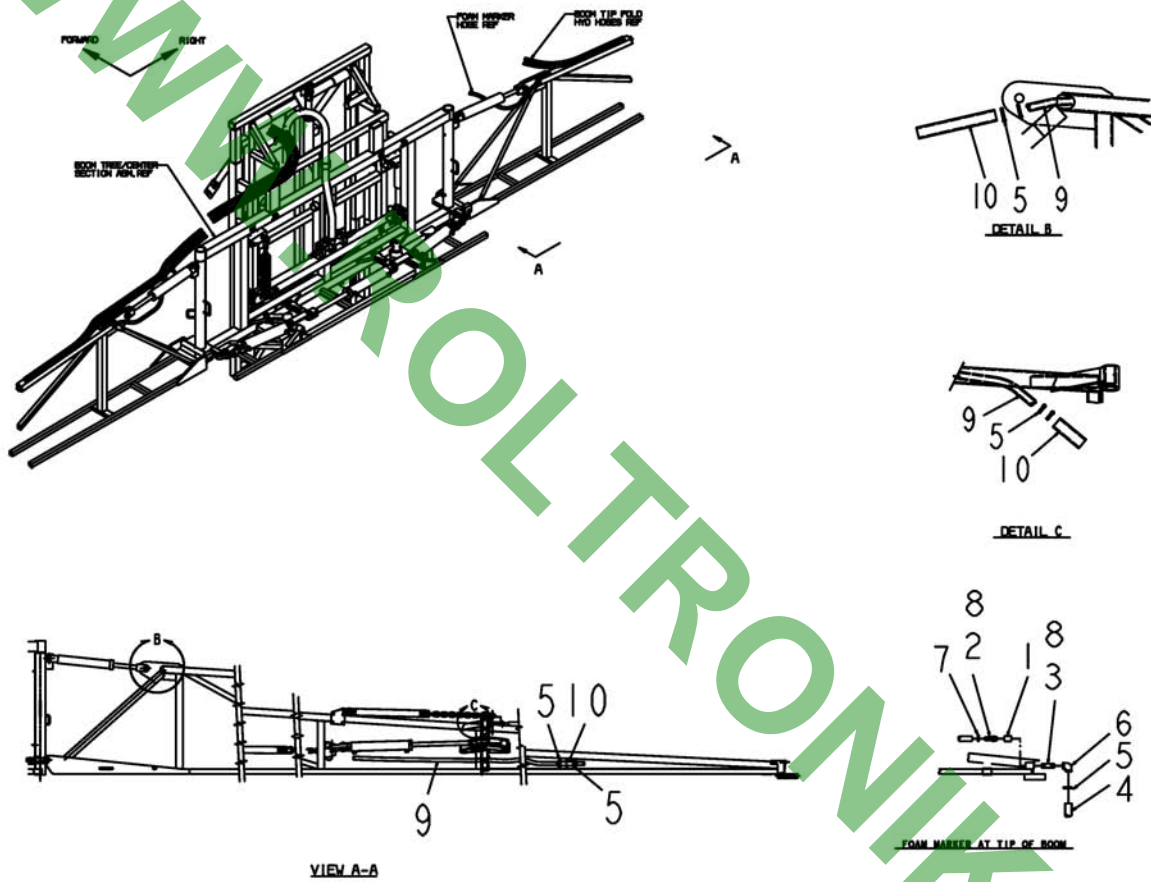
ITEM	PART #	QTY	DESCRIPTION	COMMENTS
1	AG553875	2	COUPLING 0.75NS PIPE STEEL PL	
2	AG051180	2	BARB-HOSE,0.75MNPTX0.62BARB,PP	
3	AG108618	2	NIPPLE 0.75NPTX 8.50 SCH40	
4	AG512230	-	HOSE 1.50 2BRD EPDM [BULK: 4.000 FT]	
5	AG561213	10	CLAMP 0.81-1.50 HOSE 16HS	
6	AG217585	1	ELBOW FOAM MARKER WLDMT LH	
7	AG217586	1	ELBOW FOAM MARKER WLDMT RH	
8	AG561227	2	CLAMP 0.44-0.78 HOSE 6HS	
9	AG129187	AR	PIPE SEALANT-POLY SEAL	
10	AG515449	-	HOSE 0.62 CLEAR VINYL [BULK: 120.000 FT]	
11	AG511528	-	HOSE 1.00 2BRD EPDM [BULK: 4.000 FT]	
12	AG108617	2	SPACER PIPE	

WWW.ROLTRONIK.PL



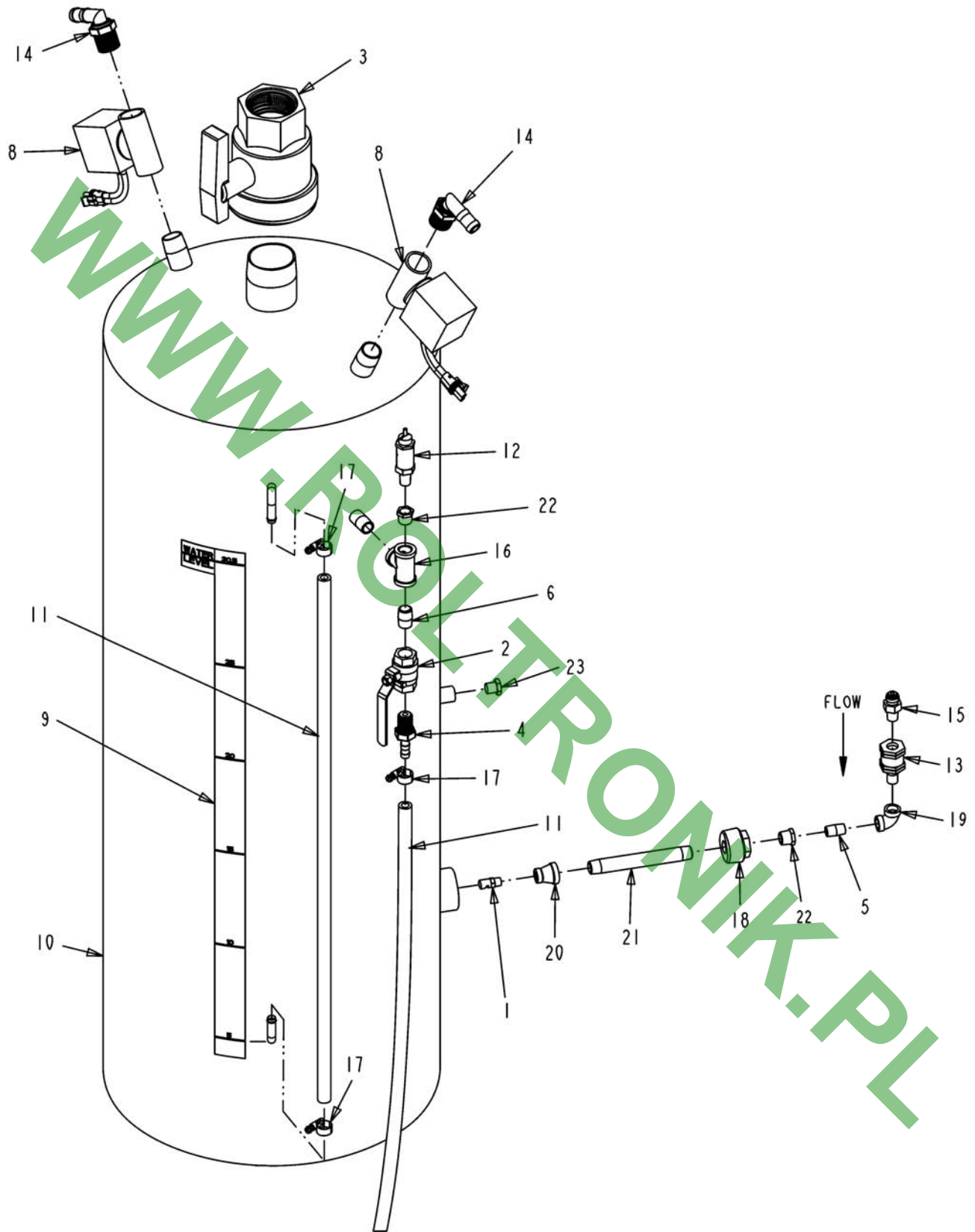
ITEM	PART #	QTY	DESCRIPTION	COMMENTS
1	AG553875	2	COUPLING 0.75NS PIPE STEEL PL	
2	AG051180	2	BARB-HOSE,0.75MNPTX0.62BARB,PP	
3	AG108618	2	NIPPLE 0.75NPTX 8.50 SCH40	
4	AG512230	-	HOSE 1.50 2BRD EPDM [BULK: 4.000 FT]	
5	AG561213	14	CLAMP 0.81-1.50 HOSE 16HS	
6	AG108617	2	SPACER PIPE	
7	AG561227	2	CLAMP 0.44-0.78 HOSE 6HS	
8	AG129187	AR	PIPE SEALANT-POLY SEAL	
9	AG515449	-	HOSE 0.62 CLEAR VINYL [BULK: 130.000 FT]	
10	AG511528	-	HOSE 1.00 2BRD EPDM [BULK: 5.000 FT]	
11	AG217585	1	ELBOW FOAM MARKER WLDMT LH	
12	AG217586	1	ELBOW FOAM MARKER WLDMT RH	

WWW.ROLTRONIK.PL

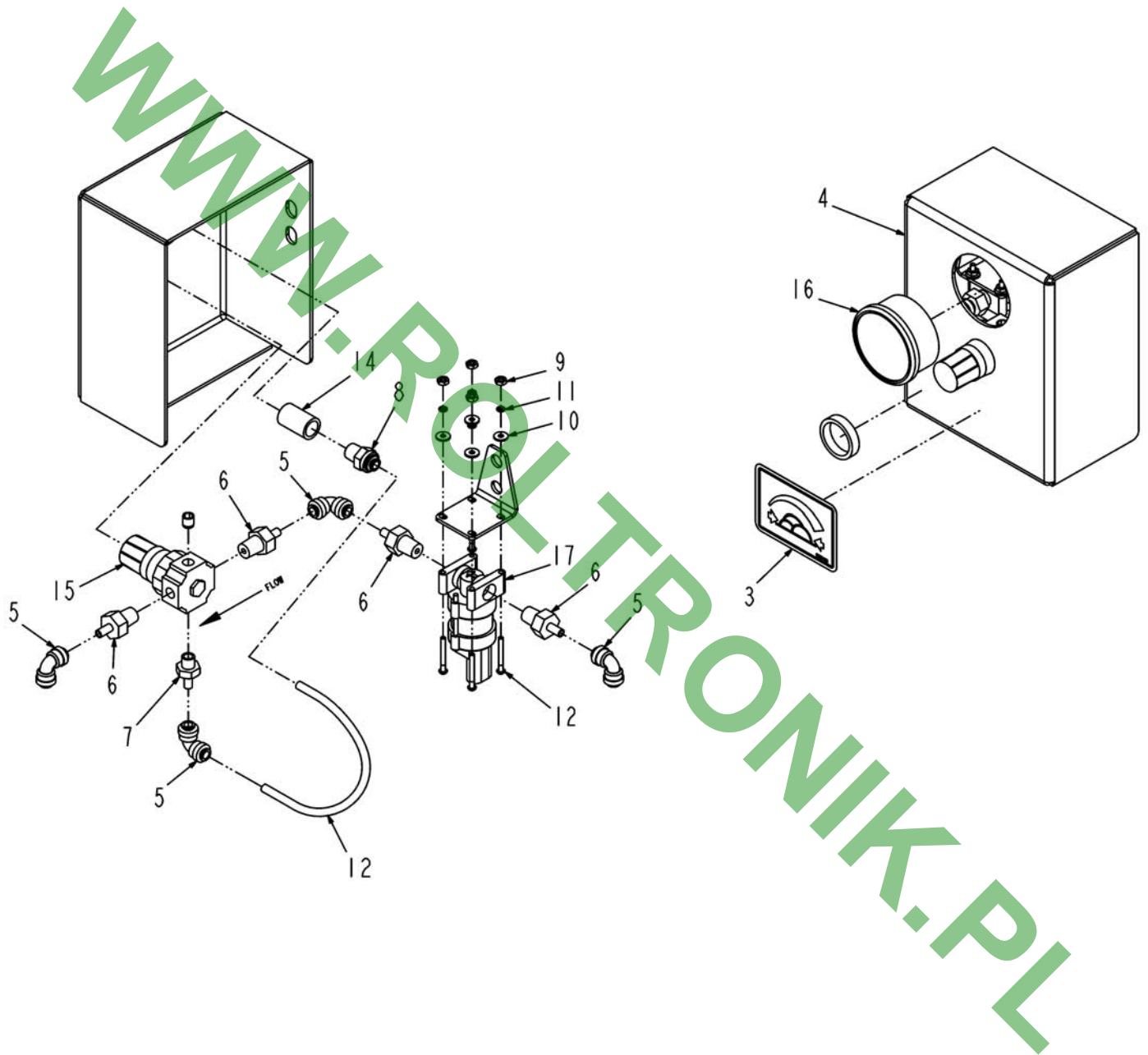


ITEM	PART #	QTY	DESCRIPTION	COMMENTS
1	AG553875	2	COUPLING 0.75NS PIPE STEEL PL	
2	AG051180	2	BARB-HOSE,0.75MNPTX0.62BARB,PP	
3	AG559385	2	NIPPLE 0.75NPTX 3.00PIPE WR IR	
4	AG512230	-	HOSE 1.50 2BRD EPDM [BULK: 4.000 FT]	
5	AG561213	14	CLAMP 0.81-1.50 HOSE 16HS	
6	AG554480	2	ELBOW 90D 0.75NPT MAL IR PL	
7	AG561227	2	CLAMP 0.44-0.78 HOSE 6HS	
8	AG129187	AR	PIPE SEALANT-POLY SEAL	
9	AG515449	-	HOSE 0.62 CLEAR VINYL [BULK: 130.000 FT]	
10	AG511528	-	HOSE 1.00 2BRD EPDM [BULK: 5.000 FT]	

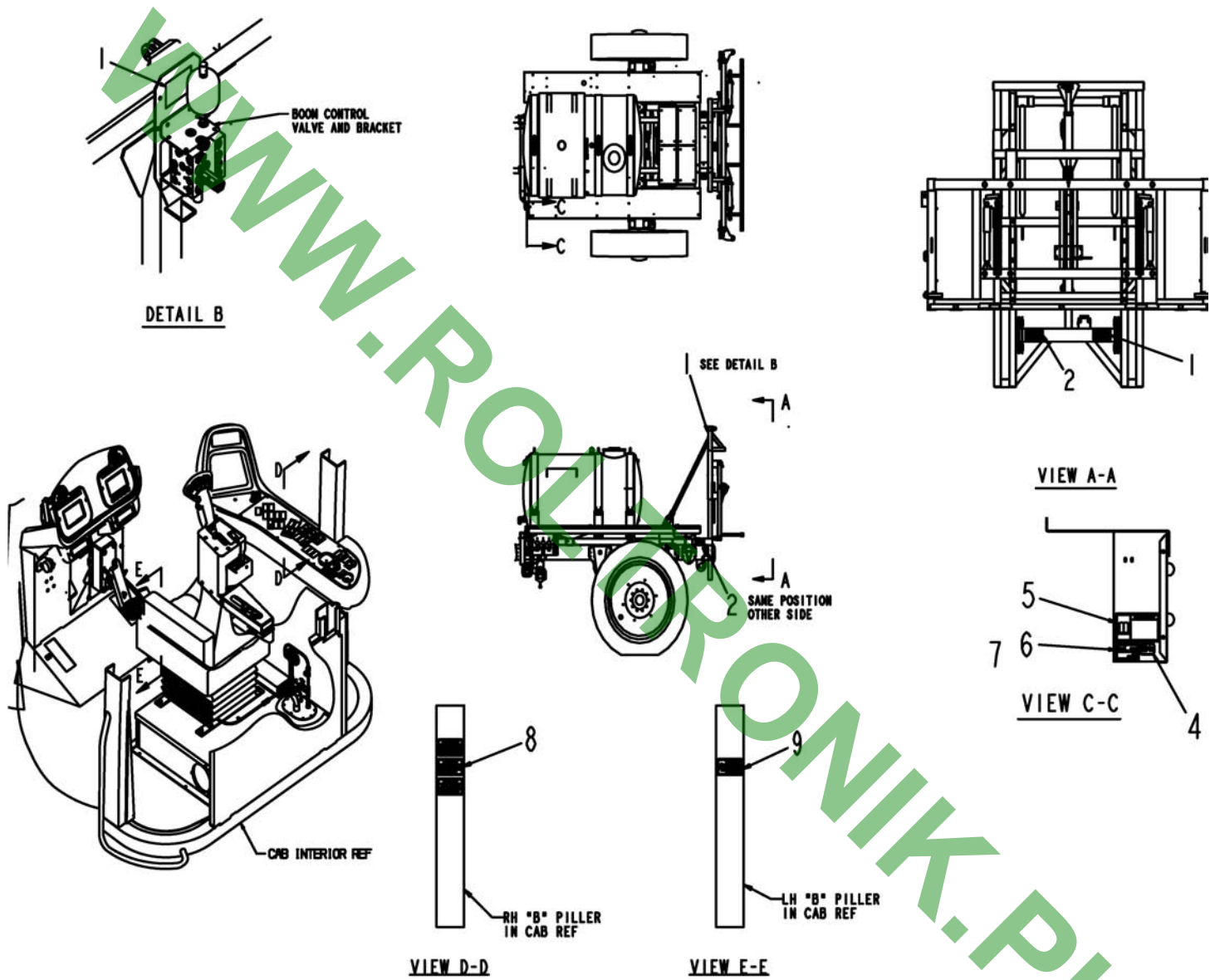
WWW.ROLTRONIK.PL



ITEM	PART #	QTY	DESCRIPTION	COMMENTS
1	AG001260	1	FLOODJET 1/8KSS5	
2	AG007785	1	VALVE STAINLESS STEEL 0.375	
3	AG050209	1	VALVE 2.00 NPT BALL UNION POLY	
4	AG051174	1	BARB-HOSE,0.37MNPTX0.37BARB,PP	
5	AG051740	1	NIPPLE 0.25NPTX CLS 304SS	
6	AG051901	1	NIPPLE 0.37 CLOSE 304SS	
7	AG129187	-	PIPE SEALANT-POLY SEAL	
8	AG234240	2	VALVE REWORK - SOLENOID	SEE PAGE 9-6
9	AG402427	1	DECAL TANK CAPACITY (36GAL)	
10	AG405382	1	TANK FOAM MARKER 36 GAL SS	
11	AG512362	-	HOSE 0.38 CLEAR VINYL [BULK: 8.250 FT]	[A]
12	AG512370	1	VALVE SAFETY 45 PSI	
13	AG514243	1	VALVE CHECK 0.25NPT	
14	AG518413	2	FITTING-90DX.75NPTX.62MHB PP	
15	AG521354	1	CONN-STR,.25TUBE X .25NPT,POLY	
16	AG521846	1	TEE-.38 FNPT,SS	
17	AG561227	3	CLAMP 0.44-0.78 HOSE 6HS	
18	AG561508	1	BUSHG 1.25X 0.37 HX DBL TPD SS	
19	AG562693	1	ELBOW 90DEG 1/4 NPT 304SS	
20	AG563038	1	COUPLING RED .12X .37NPT 304SS	
21	AG563039	1	NIPPLE .37NPT X 5.00 304SS	
22	AG563055	2	BUSHING .38MA NPTX .25FE NPT	
23	AG710638	1	PLUG-PIPE,HEX,0.25NPT,304SS	
	FOOTNOTE [A]		100 FT COIL	

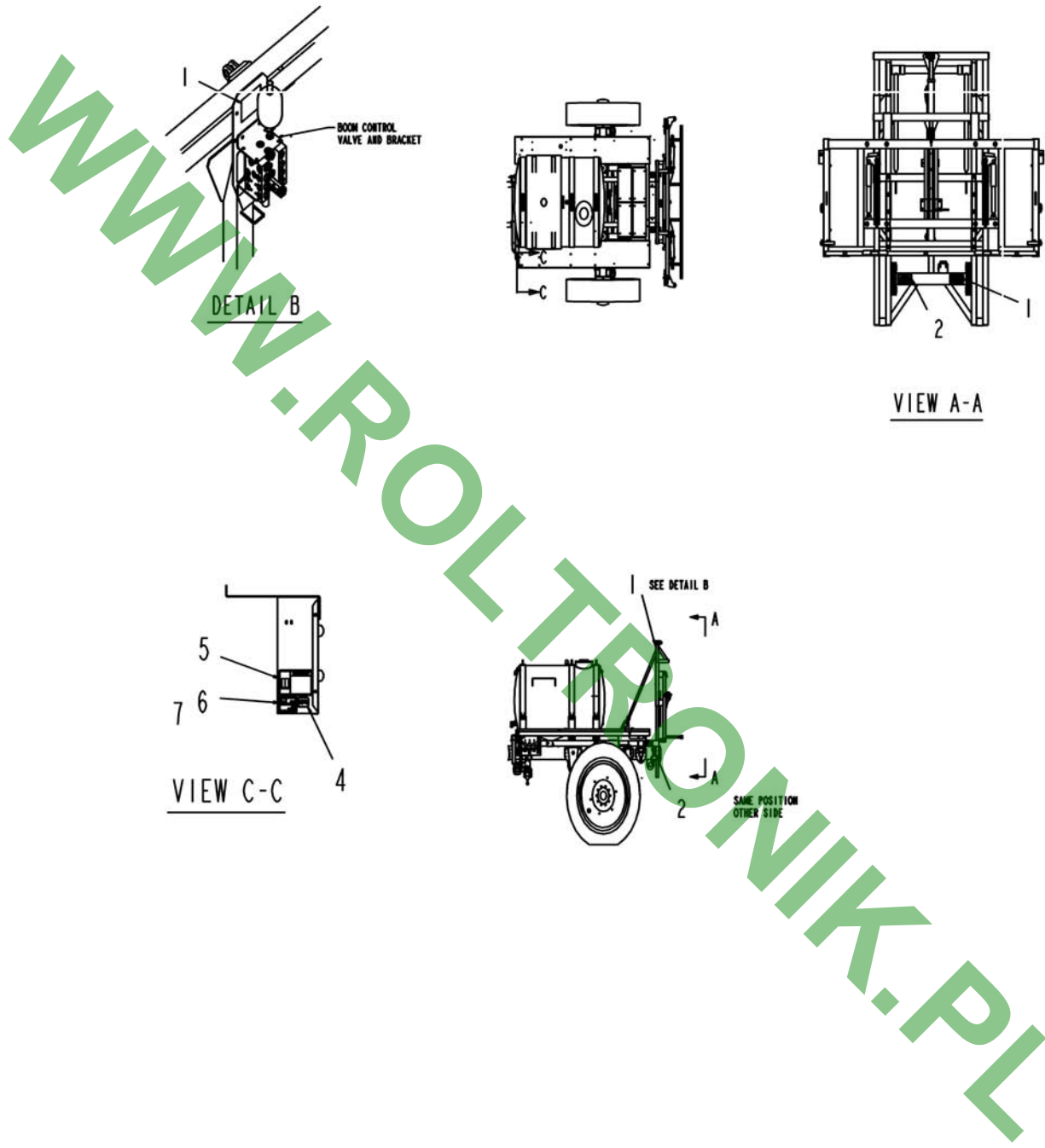


ITEM	PART #	QTY	DESCRIPTION	COMMENTS
1	AG122116	1	BRKT-MTG,F/M ENABLE VALVE	
2	AG129187	-	PIPE SEALANT-POLY SEAL	
3	AG135942	1	DECAL-FOAM MARKER	
4	AG136119	1	BRKT-MTG,CTRL,FOAM MARKER,RD	
5	AG516229	4	ELBOW,UNION 0.25TUBE AUTO LCK	[A]
6	AG516230	4	STEM MALE TUBE 0.25 X 0.25	
7	AG516231	1	STEM MALE TUBE 0.25X0.12	
8	AG516233	1	CONN STR .25 TUBE X .25 NPT AL	
9	AG517157	4	NUT #6-32 HX ZN REG	
10	AG517158	4	WASHER #6 FL ZN REG	
11	AG517159	4	WASHER #6 LK ZN REG	
12	AG517219	4	SCREW #6-32X1.25 MA RDHD SLTZN	
13	AG518622	-	TUBING AIRLINE 0.25OD POLTHN [BULK: 0.813 FT]	
14	AG519336	1	COUPLING PIPE 0.25 NPT 304SS	
15	AG520889	1	REGULATOR-MINIATURE 0-60 PSI	
16	AG521934	1	GAUGE-PRESS,0-7 BAR/100PSI	
17	AG522466	1	VALVE-SOLENOID,25NPT,12V	
	FOOTNOTE [A]		SEE SERVICE UPDATE #9387	



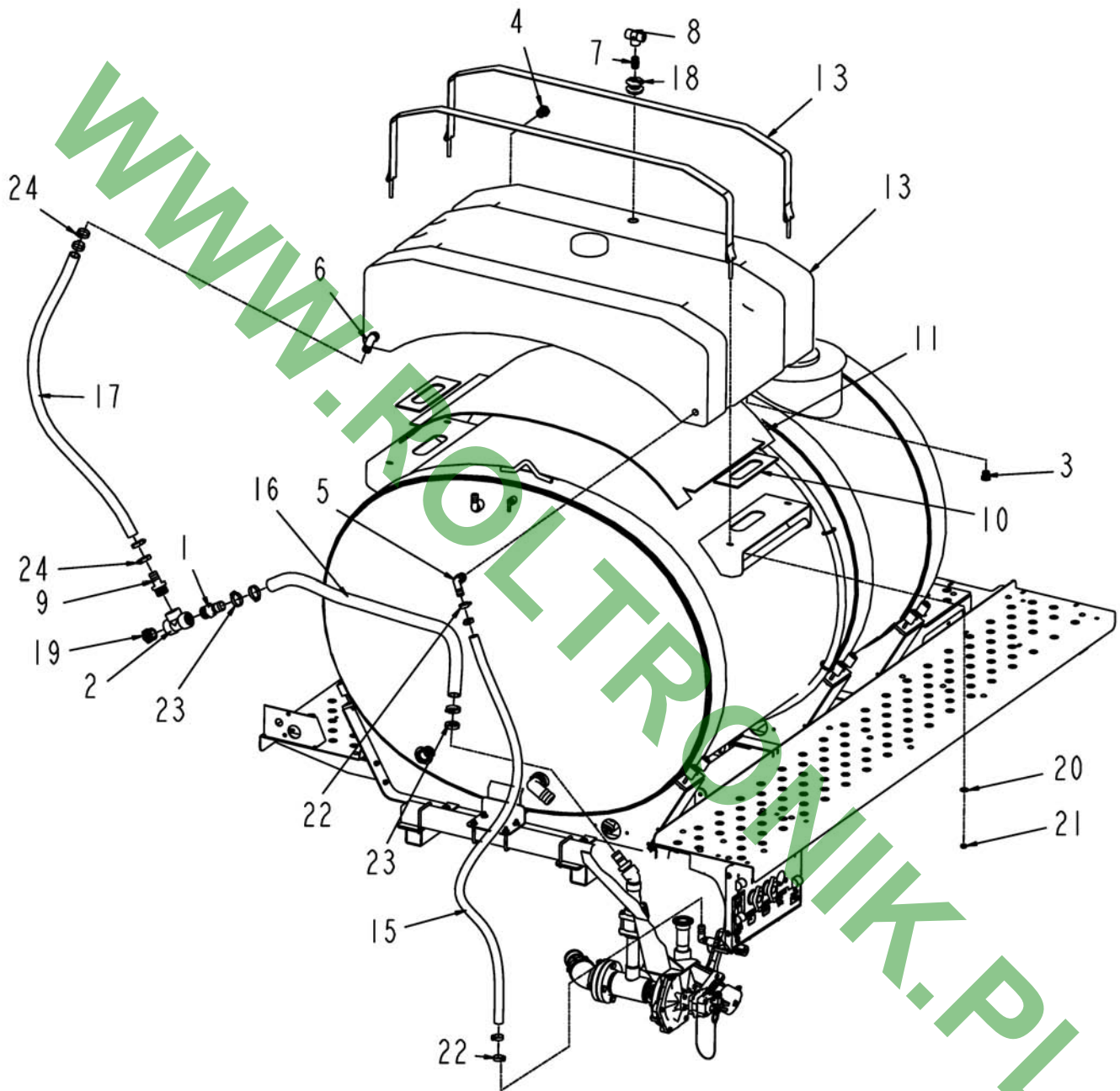
ITEM	PART #	QTY	DESCRIPTION	COMMENTS
1	AG234703	2	DECAL-WARNING,VALVE MNL OVRD	[A]
2	AG229555	3	DECAL-DANGER,MOVING PARTS	[B]
4	AG237562	1	DECAL-FRESH WATER RELOAD	
5	AG260869	1	DECAL-INFORMATION,RESPONSIBILI	
6	AG201588	1	PLATE SERIAL # AG-CHEM 2.0X3.5	
7	AG554863	2	RIVET POP 0.12X0.62 DOME-HD AL	
8	AG260121	1	DECAL-IMPORTANT,BM OPN	
9	AG238819	1	DECAL-WARNING,ELEC SHOCK	
	FOOTNOTE [A]		SPANISH DECAL: AG237895	
	FOOTNOTE [B]		SPANISH DECAL: AG237874	

WWW.ROLTRONIK.PL

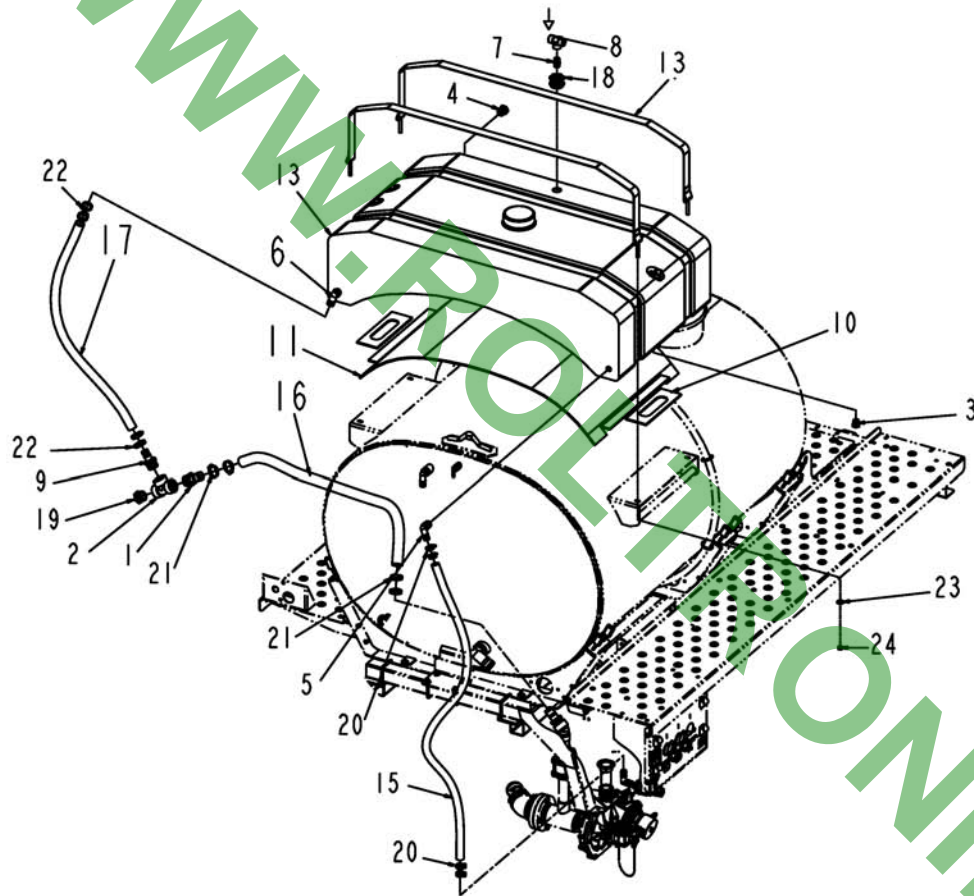


ITEM	PART #	QTY	DESCRIPTION	COMMENTS
1	AG234703	2	DECAL-WARNING,VALVE MNL OVRD	[A]
2	AG229555	3	DECAL-DANGER,MOVING PARTS	[B]
4	AG237562	1	DECAL-FRESH WATER RELOAD	
5	AG260869	1	DECAL-INFORMATION,RESPONSIBILI	
6	AG201588	1	PLATE SERIAL # AG-CHEM 2.0X3.5	
7	AG554863	2	RIVET POP 0.12X0.62 DOME-HD AL	
	FOOTNOTE [A]		SPANISH DECAL: AG237895	
	FOOTNOTE [B]		SPANISH DECAL: AG237874	

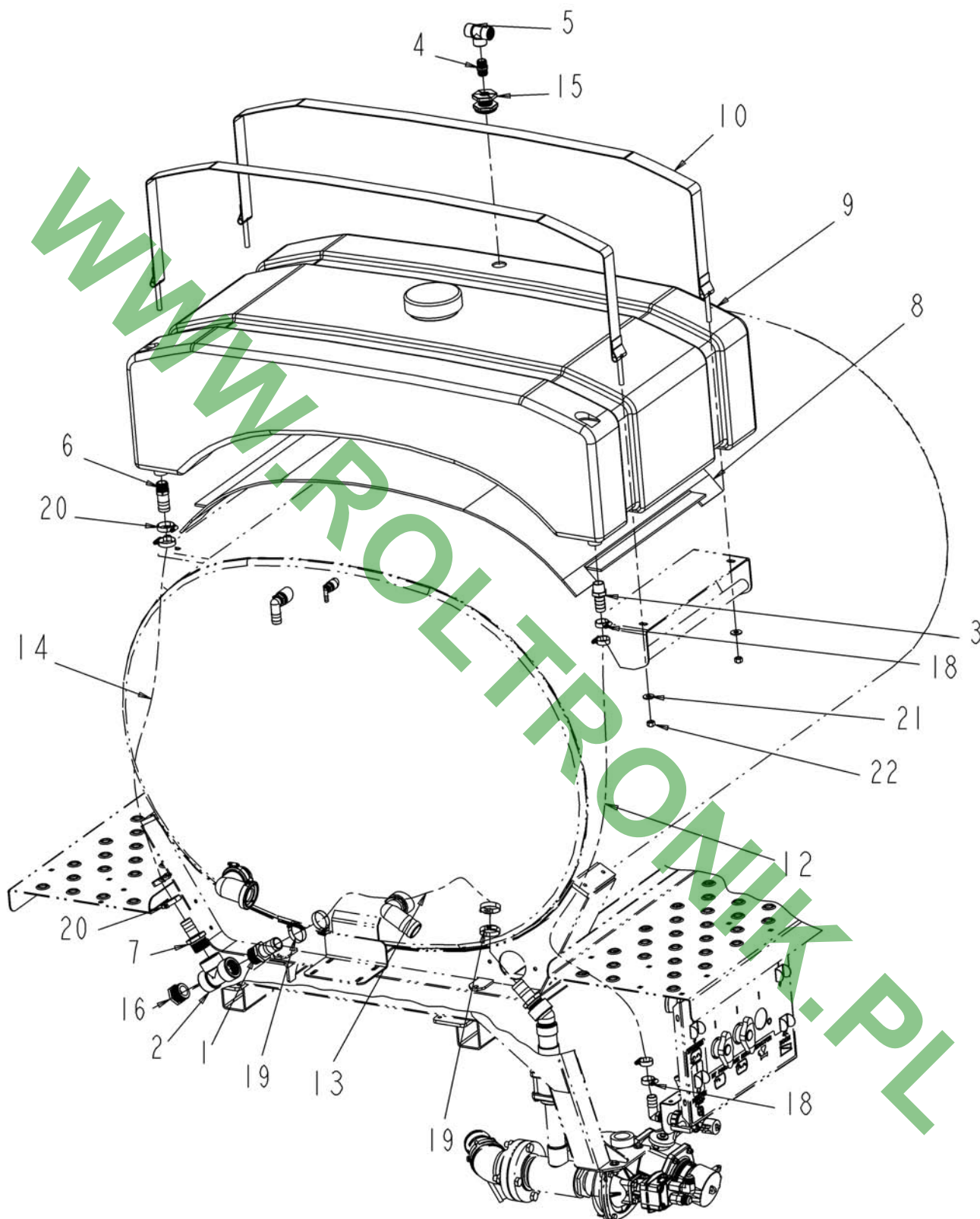
WWW.ROLTRONIK.PL



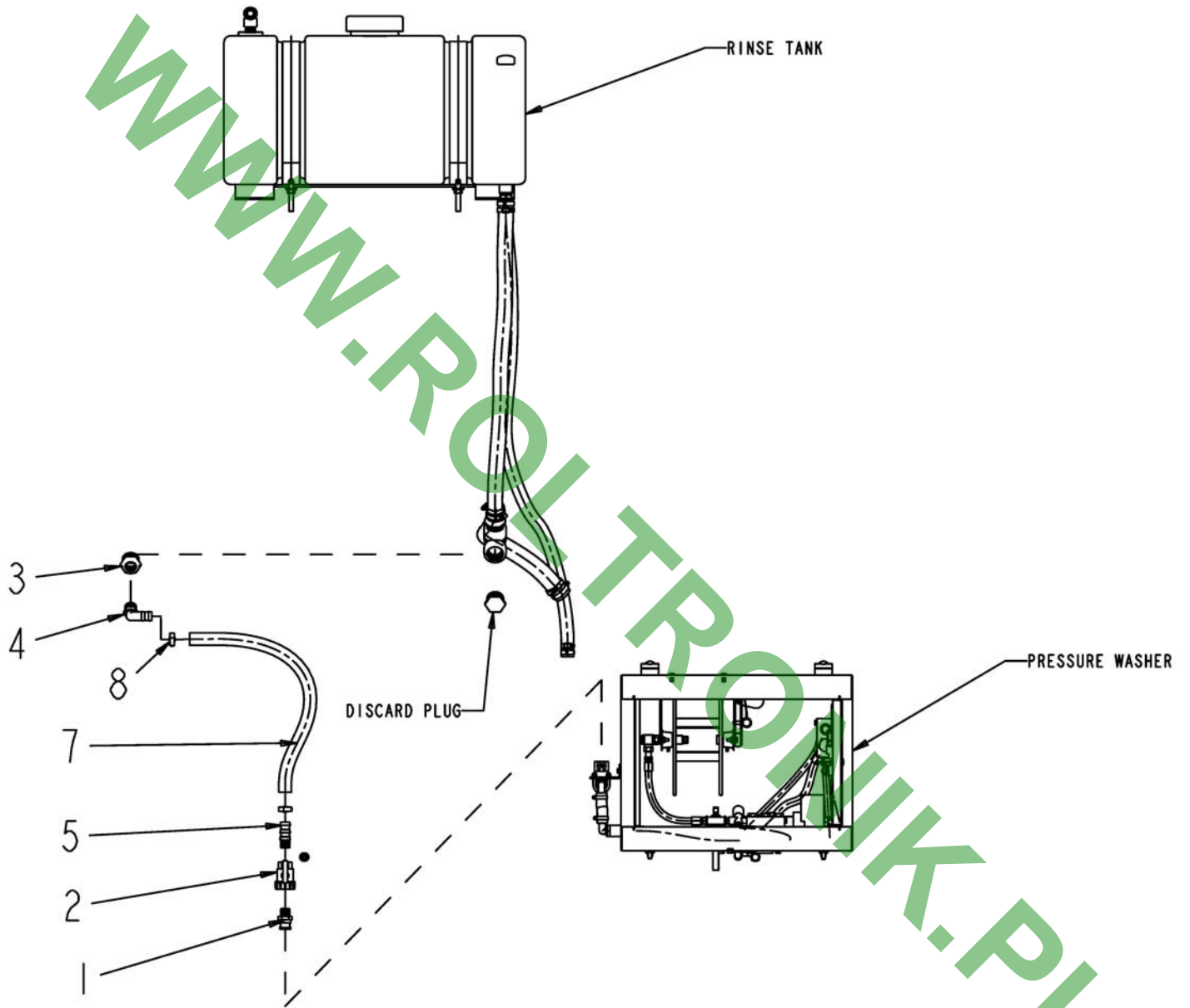
ITEM	PART #	QTY	DESCRIPTION	COMMENTS
1	AG000766	1	BARB-HOSE, 1.50MNTTX1.50BARB, PP	
2	AG050273	1	TEE, PIPE, 1.50FNPT, PP	
3	AG051134	3	PLUG-PIPE, HEX, 0.75NPT, PP	
4	AG051135	1	PLUG-PIPE, HEX, 1.00NPT, PP	
5	AG051145	1	ELBOW 90D 1.00NPTX1.00 BARB PP	
6	AG051146	1	ELBOW 90D 1.00NPTX1.25 BARB PP	
7	AG051151	1	NIPPLE-PIPE, 0.75NPTXCLS, PP	
8	AG051161	1	TEE, PIPE, 0.75FNPT, PP	
9	AG051534	1	BARB-HOSE, 1.50MNPTX1.25BARB, PP	
10	AG121864	2	MATTING-RUBBER, .25X13.50X3.50	
11	AG122859	1	MATTING-RUBBER, TANK, RINSE, TOP	
12	AG129187	AR	PIPE SEALANT-POLY SEAL	
13	AG328859	1	TANK-REWORK	
14	AG423867	2	STRAP-MTG, RINSE TANK	
15	AG511528	-	HOSE 1.00 2BRD EPDM [BULK: 6.417 FT]	
16	AG512230	-	HOSE 1.50 2BRD EPDM [BULK: 3.917 FT]	
17	AG513393	-	HOSE 1.25 2BRD EPDM [BULK: 4.875 FT]	
18	AG515295	1	FITTING TANK 0.75 DOUBLE THRD	[A]
19	AG522149	1	PLUG-PIPE, HEX, 1.50NPT, PP	
20	AG550353	4	WASHER 0.50 FL ZN REG TYPE-B	
21	AG559253	4	NUT 0.50-13NC HEX ZN C-LK	
22	AG561213	4	CLAMP 0.81-1.50 HOSE 16HS	
23	AG561218	4	CLAMP 1.31-2.25 HOSE 28HS	
24	AG561231	4	CLAMP 1.06-2.00 HOSE 24HS	
	FOOTNOTE [A]		AG608613 NUT, AG608615 O-RING, AG608617 FITTING	



ITEM	PART #	QTY	DESCRIPTION	COMMENTS
1	AG000766	1	BARB-HOSE, 1.50MNTTX1.50BARB, PP	
2	AG050273	1	TEE, PIPE, 1.50FNPT, PP	
3	AG051134	3	PLUG-PIPE, HEX, 0.75NPT, PP	
4	AG051135	1	PLUG-PIPE, HEX, 1.00NPT, PP	
5	AG051145	1	ELBOW 90D 1.00NPTX1.00 BARB PP	
6	AG051146	1	ELBOW 90D 1.00NPTX1.25 BARB PP	
7	AG051151	1	NIPPLE-PIPE, 0.75NPTXCLS, PP	
8	AG051161	1	TEE, PIPE, 0.75FNPT, PP	
9	AG051534	1	BARB-HOSE, 1.50MNPTX1.25BARB, PP	
10	AG121864	2	MATTING-RUBBER, .25X13.50X3.50	
11	AG122859	1	MATTING-RUBBER, TANK, RINSE, TOP	
12	AG129187	AR	PIPE SEALANT-POLY SEAL	
13	AG328859	1	TANK-REWORK	
14	AG423867	2	STRAP-MTG, RINSE TANK	
15	AG511528	-	HOSE 1.00 2BRD EPDM [BULK: 5.959 FT]	
16	AG512230	-	HOSE 1.50 2BRD EPDM [BULK: 3.917 FT]	
17	AG513393	-	HOSE 1.25 2BRD EPDM [BULK: 4.375 FT]	
18	AG515295	1	FITTING TANK 0.75 DOUBLE THRD	[A]
19	AG522149	1	PLUG-PIPE, HEX, 1.50NPT, PP	
20	AG561213	4	CLAMP 0.81-1.50 HOSE 16HS	
21	AG561218	4	CLAMP 1.31-2.25 HOSE 28HS	
22	AG561231	4	CLAMP 1.06-2.00 HOSE 24HS	
23	AG562046	4	WASHER FL 0.50 SS REG	
24	AG601152	4	NUT 0.50-13NC HEX ZN REG NY	
	FOOTNOTE [A]		AG608613 NUT, AG608615 O-RING, AG608617 FITTING	

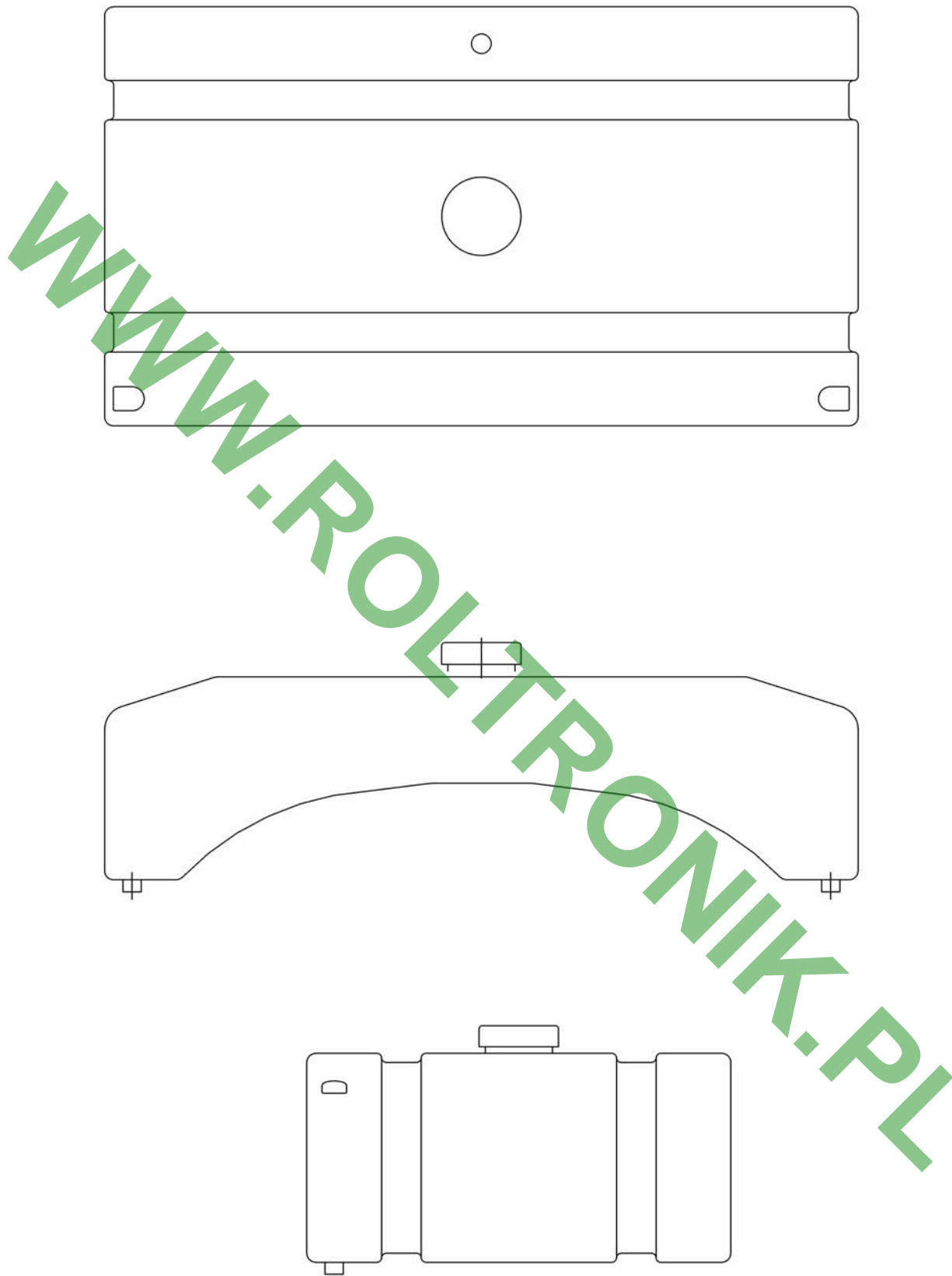


ITEM	PART #	QTY	DESCRIPTION	COMMENTS
1	AG000766	1	BARB-HOSE, 1.50MNPTX1.50BARB, PP	
2	AG050273	1	TEE, PIPE, 1.50FNPT, PP	
3	AG051059	1	BARB-HOSE, 1.00MNPTX1.00BARB, PP	
4	AG051151	1	NIPPLE-PIPE, 0.75NPTXCLS, PP	
5	AG051161	1	TEE, PIPE, 0.75FNPT, PP	
6	AG051183	2	BARB-HOSE, 1.00MNPTX1.25BARB, PP	
7	AG051534	1	BARB-HOSE, 1.50MNPTX1.25BARB, PP	
8	AG122859	1	MATTING-RUBBER, TANK, RINSE, TOP	
9	AG122879	1	TANK REWORK-100GL, POLY	SEE PAGE 11-5
10	AG129187	AR	PIPE SEALANT-POLY SEAL	
11	AG423867	2	STRAP-MTG, RINSE TANK	
12	AG511528	-	HOSE 1.00 2BRD EPDM [BULK: 5.209 FT]	
13	AG512230	-	HOSE 1.50 2BRD EPDM [BULK: 3.417 FT]	
14	AG513893	-	HOSE 1.25 2BRD EPDM [BULK: 3.917 FT]	
15	AG515295	1	FITTING TANK 0.75 DOUBLE THRD	[A]
16	AG522149	1	PLUG-PIPE, HEX, 1.50NPT, PP	
17	AG553557	AR	TIE CABLE 7.37 .06-1.37 BLACK	
18	AG561213	4	CLAMP 0.81-1.50 HOSE 16HS	
19	AG561218	4	CLAMP 1.31-2.25 HOSE 28HS	
20	AG561231	4	CLAMP 1.06-2.00 HOSE 24HS	
21	AG562046	4	WASHER FL 0.50 SS REG	
22	AG601152	4	NUT 0.50-13NC HEX ZN REG NY	
	FOOTNOTE [A]		AG608613 NUT, AG608615 O-RING, AG608617 FITTING	



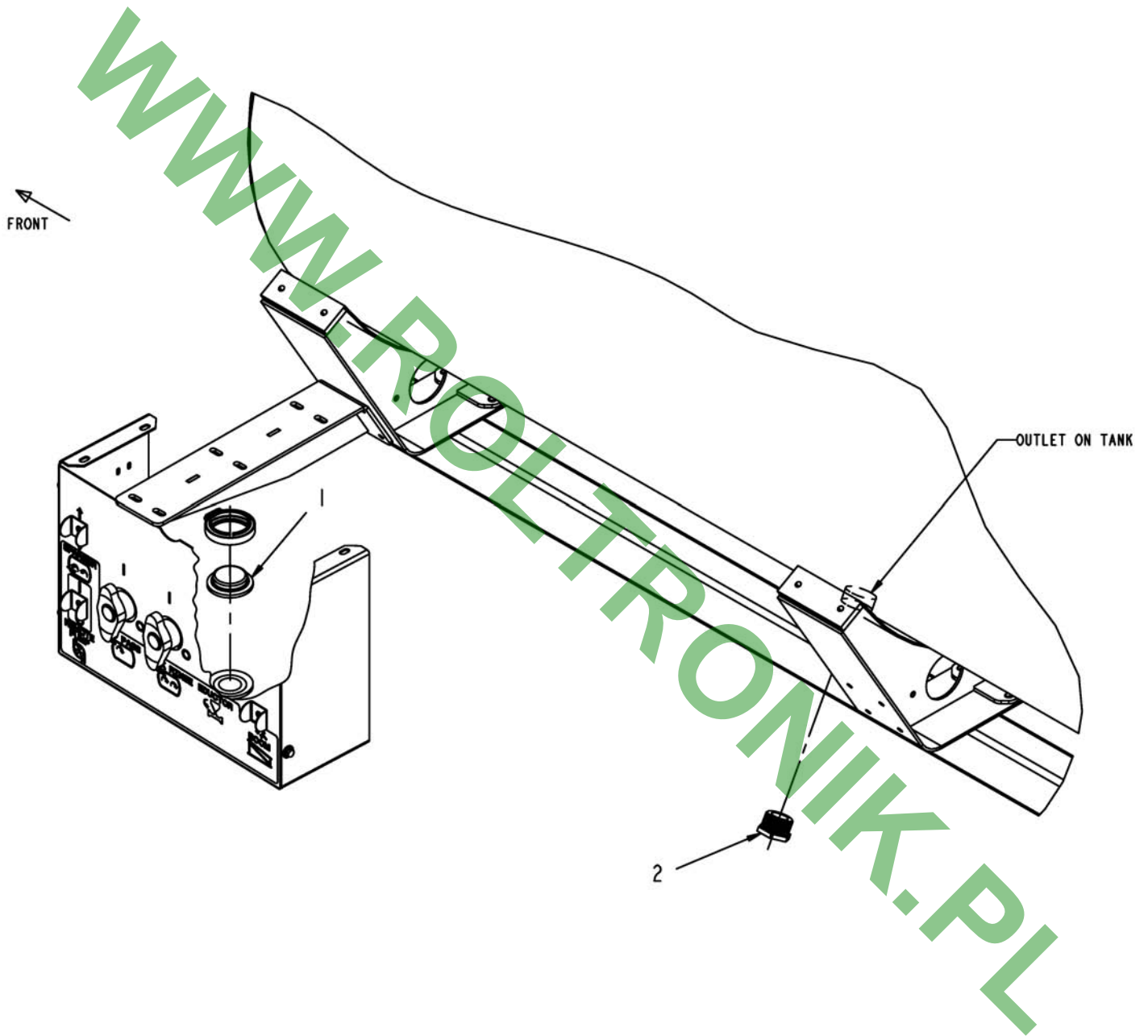
ITEM	PART #	QTY	DESCRIPTION	COMMENTS
1	AG006671	1	ADAPTER 0.75NPTX0.75MALE	
2	AG050205	1	VALVE 0.75 NPT BALL UNION POLY	SEE PAGE 2-18
3	AG050257	1	BSHG-RDCR,HEX,1.50X1.00NPT,PP	
4	AG051145	1	ELBOW 90D 1.00NPTX1.00 BARB PP	
5	AG051181	1	BARB-HOSE,0.75MNPTX1.00BARB,PP	
7	AG511528	-	HOSE 1.00 2BRD EPDM [BULK: 2.100 FT]	
8	AG561213	2	CLAMP 0.81-1.50 HOSE 16HS	

WWW.ROLTRONIK.PL



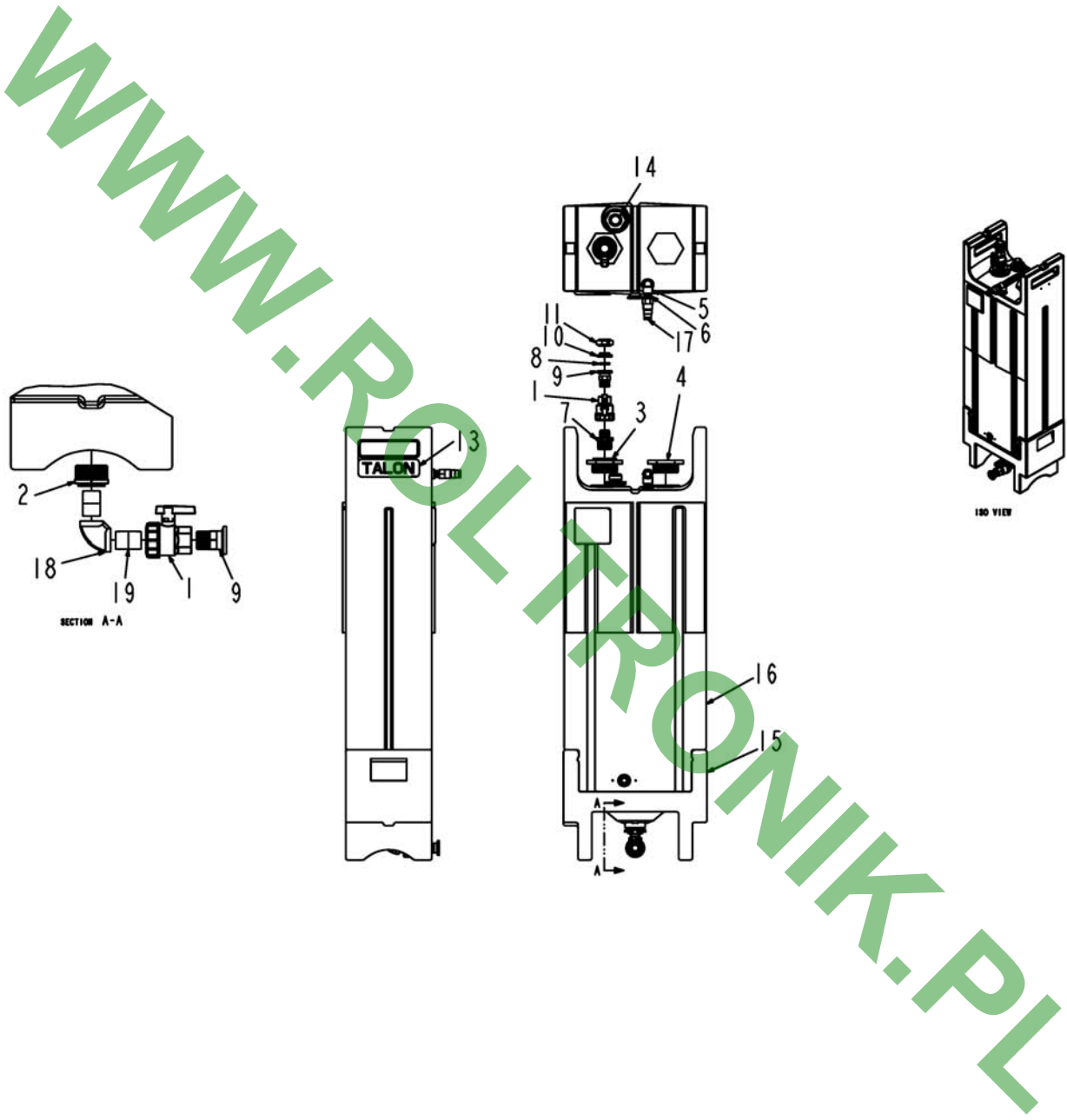
ITEM	PART #	QTY	DESCRIPTION	COMMENTS
REF	AG711024 FOOTNOTE [A] FOOTNOTE [A] FOOTNOTE [A] FOOTNOTE:	1	LID REPLACEMENT TOP TNK(711002) MOUNT ONLY-AG516798, STRAP ONLY-AG711871, THIS LID IS 6 DIAMETER USE AG007302 ON KOCH TANKS. THIS WOULD BE ANY TANK SOLD 98 OR BEFORE. SHOULD SAY KOCH ON TANKS AG711024 - THREADED LID	[A]

WWW.ROLTRONIK.PL

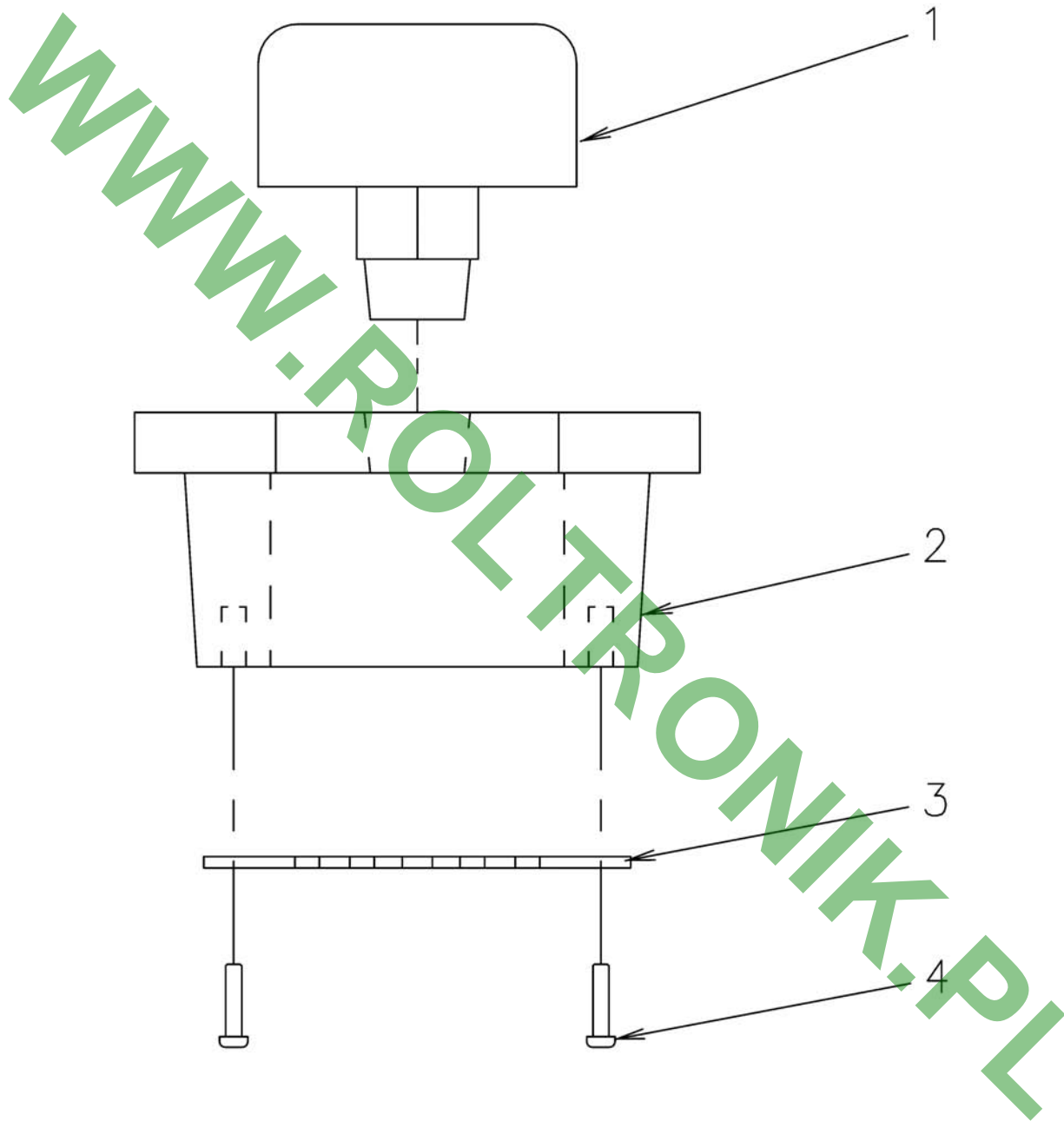


ITEM	PART #	QTY	DESCRIPTION	COMMENTS
1	AG056286	1	PLUG 2.00 MANIFOLD	[A]
2	AG522149 FOOTNOTE [A]	1	PLUG-PIPE,HEX,1.50NPT,PP USE AG143717	

WWW.ROLTRONIK.PL

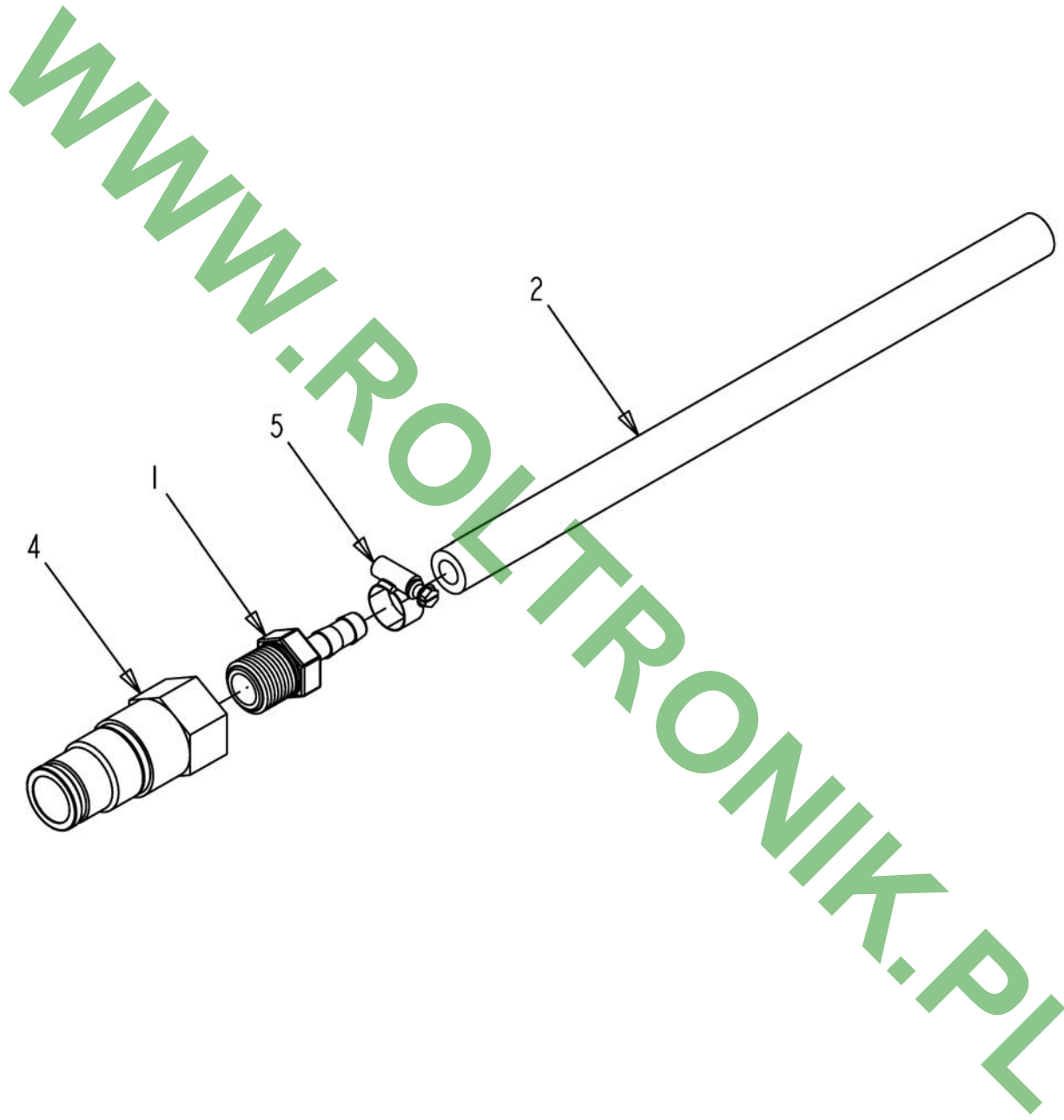


ITEM	PART #	QTY	DESCRIPTION	COMMENTS
1	AG050206	2	VALVE 1.00 NPT BALL UNION POLY	SEE PAGE 2-4
2	AG050259	1	BSHG-RDCR,HEX,2.00X1.00NPT,PP	
3	AG050680	1	BSHG-RDCR,HEX,3.00X1.50NPT,PP	
4	AG050683	1	PLUG-PIPE,HEX,3.00NPT,PP	
5	AG051125	1	ELBOW-PIPE,0.50FNPT,90D,PP	
6	AG051149	2	NIPPLE-PIPE,0.50NPTXCLS,PP	
7	AG053079	1	REDUCER NIPPLE 1.50 X 1.00	
8	AG056275	1	GASKET 1.00 EPDM MANIFOLD	[A]
9	AG056277	2	CONNECTOR 1.00 MANIFOLD MATHD	
10	AG056278	1	PLUG 1.00 MANIFOLD	
11	AG056778	1	CLAMP 1.00	
12	AG129187	AR	PIPE SEALANT-POLY SEAL	
13	AG237653	1	DECAL-TALON	
14	AG260019	1	VENT ASM-TANK	SEE PAGE 12-3
15	AG501330	1	BASE TANK PLASTIC	
16	AG501336	1	TANK CHEMICAL 40 GAL PLASTIC	[B]
17	AG520345	1	NIPPLE END-.50 NPT,DRY BREAK	
18	AG562304	1	ELBOW 90D 1.00X1.00 S.S. 304	
19	AG710516	2	NIPPLE 1.00NPTX CLS 304SS	
	FOOTNOTE [A]		IDENTIFIED BY WHITE BAR ON SIDE	
	FOOTNOTE [B]		BASE- AG501330 VALVE-DISCONNECT,DRY 1.0 FEM- AG520633	



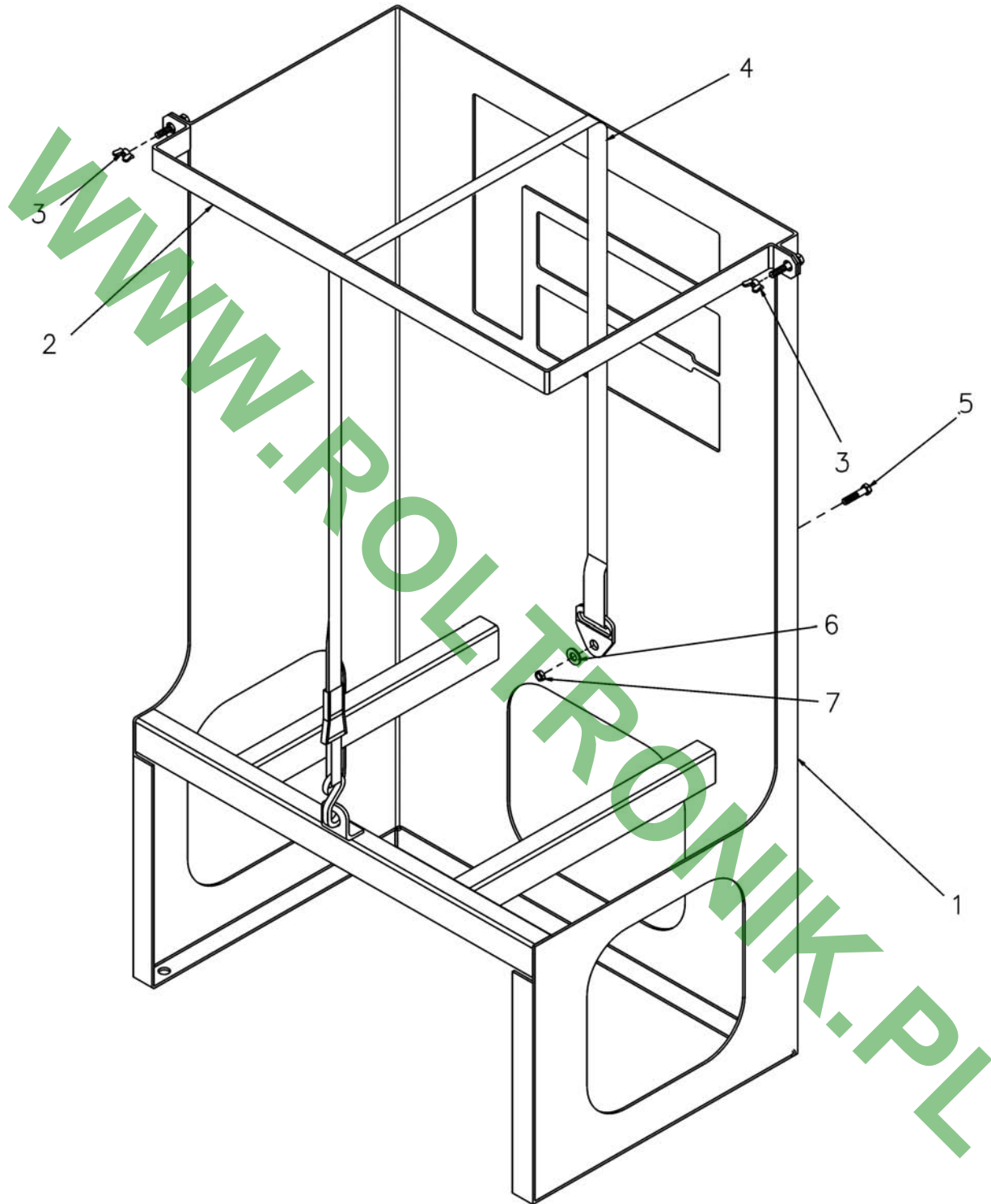
ITEM	PART #	QTY	DESCRIPTION	COMMENTS
REF	AG129187	AR	PIPE SEALANT-POLY SEAL	
1	AG516181	1	BREATHER RESERVOIR	
2	AG260022	1	PLUG RWK-PIPE,2.00NPT	
3	AG260021	1	BAFFEL-VENT,TANK	
4	AG714085	2	SCREW 8-32X.375 TAP PAN HD	
	FOOTNOTE:		TECH BULLETIN 9889.	
	FOOTNOTE:		VENT ONLY = AG516181	

WWW.ROLTRONIK.PL



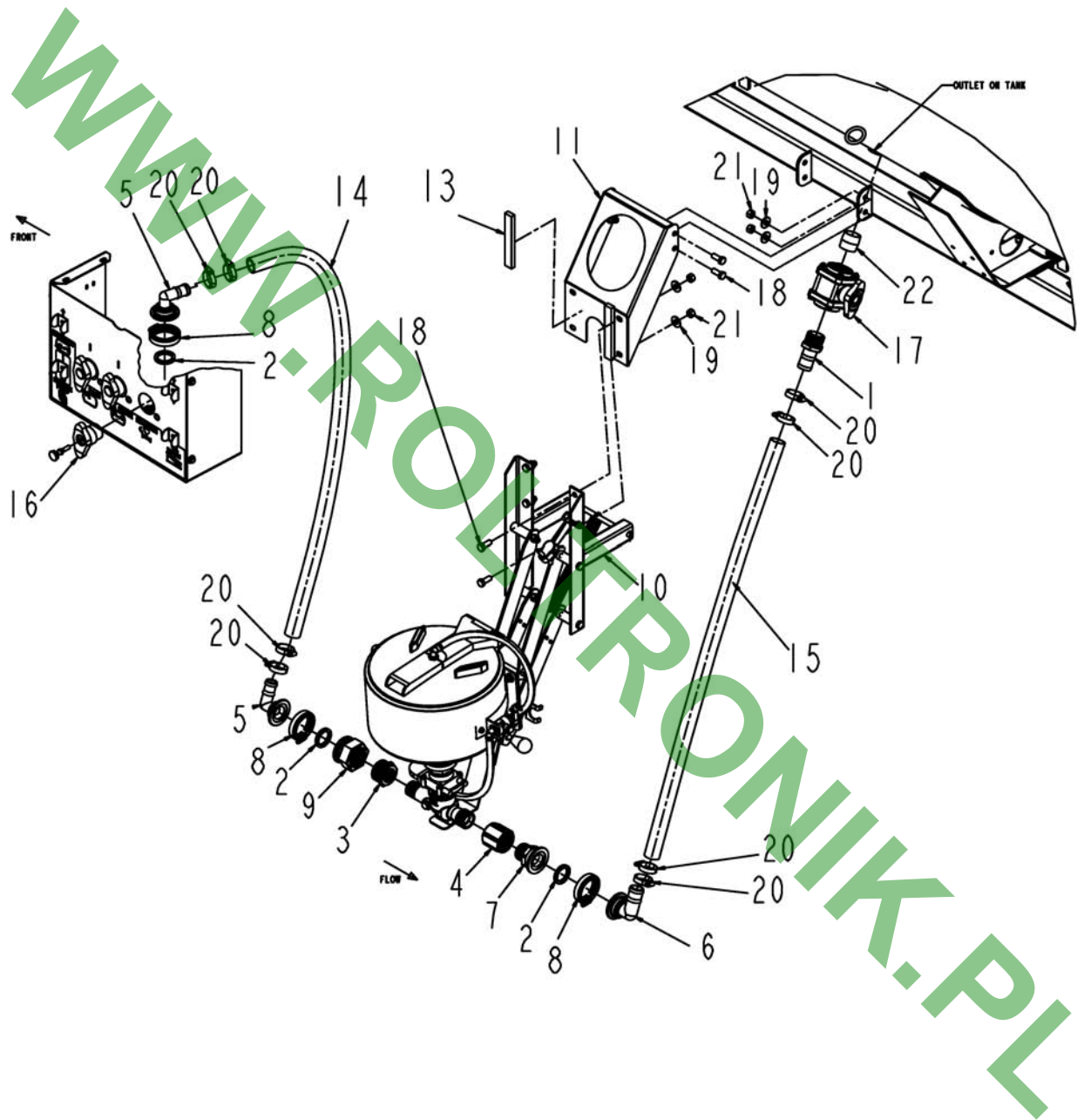
ITEM	PART #	QTY	DESCRIPTION	COMMENTS
1	AG051175	1	BARB-HOSE,0.50MNPTX0.37BARB,PP	
2	AG108659	1	HOSE .38 X 12.00 EPDM	
3	AG129187	AR	PIPE SEALANT-POLY SEAL	
4	AG520345	1	NIPPLE END-.50 NPT,DRY BREAK	
5	AG561227	1	CLAMP 0.44-0.78 HOSE 6HS	

WWW.ROLTRONIK.PL

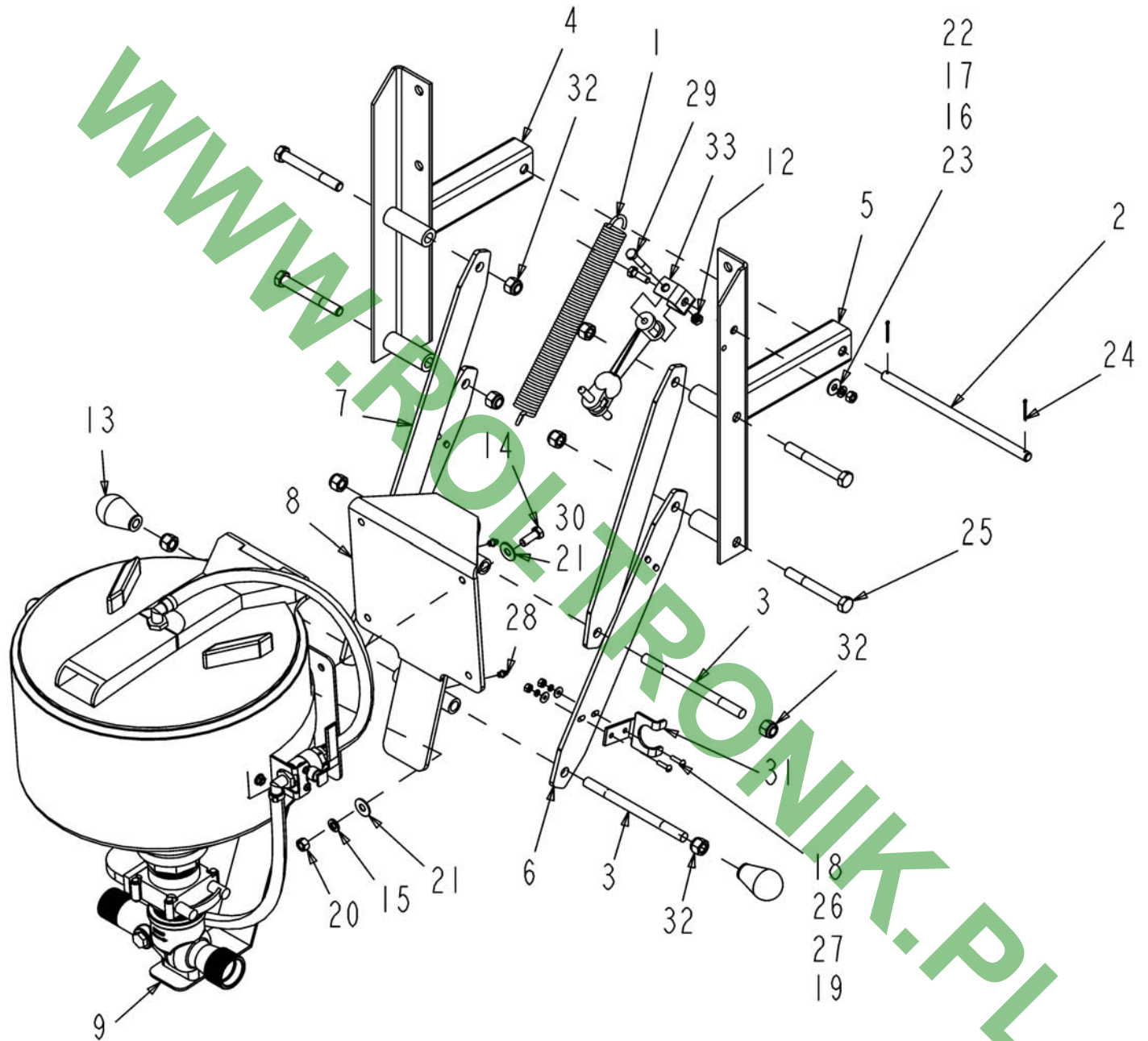


ITEM	PART #	QTY	DESCRIPTION	COMMENTS
1	AG502342	1	SUPPORT WLDMT-TANK,PLASTIC	
2	AG324064	1	STRAP-TANK	
3	AG562385	2	NUT-.31-18,WING,SS,TYPE A,LT	
4	AG521412	1	STRAP-TIE DOWN,TANK,102.00 LG	
5	AG562120	1	BOLT 0.37-16NCX 0.75 S.S. HDD	
6	AG562073	1	WASHER FL 0.37 SS REG	
7	AG562123	1	NUT 0.37-16NC HEX SSC-LK	

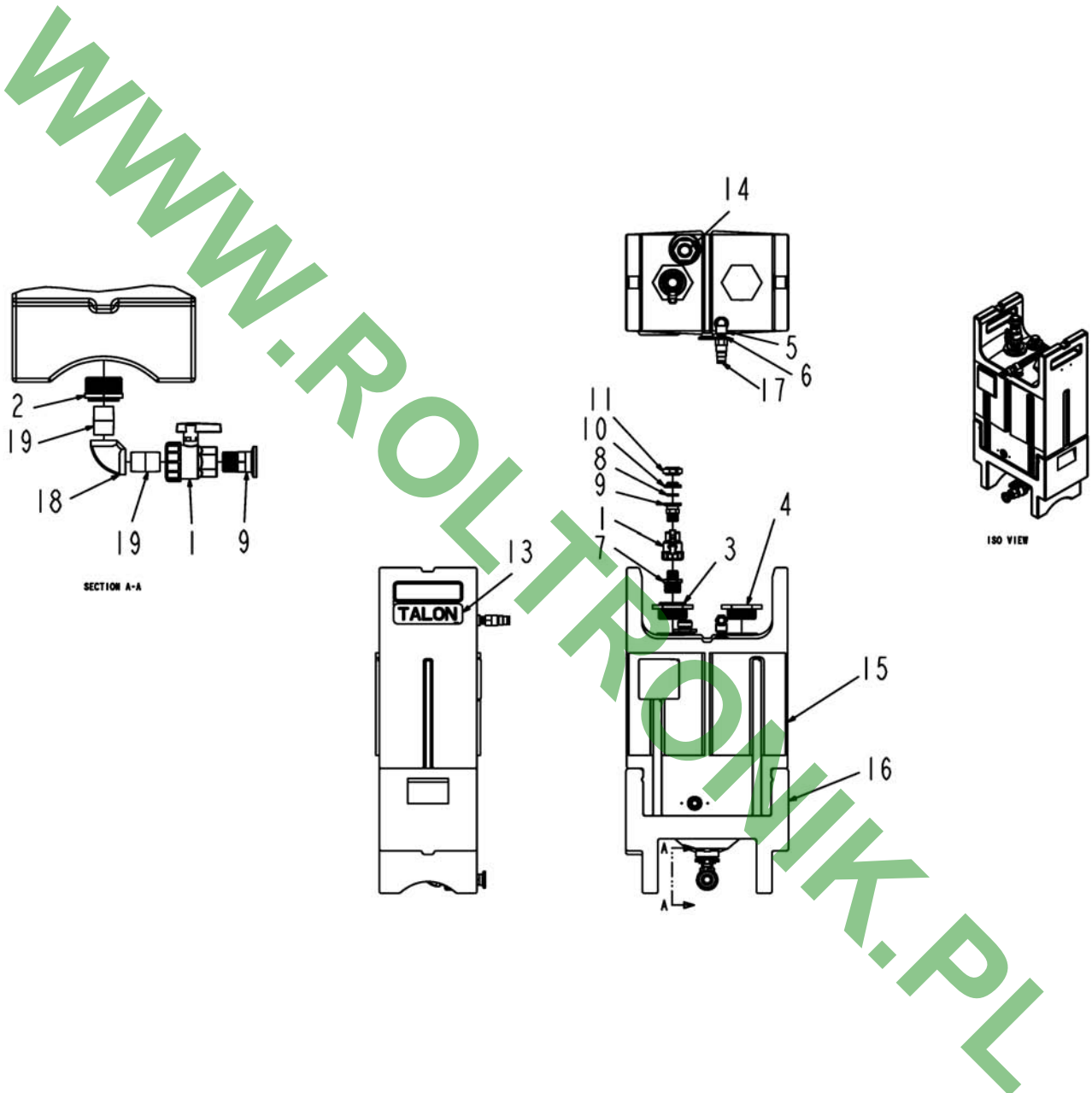
WWW.ROLTRONIK.PL



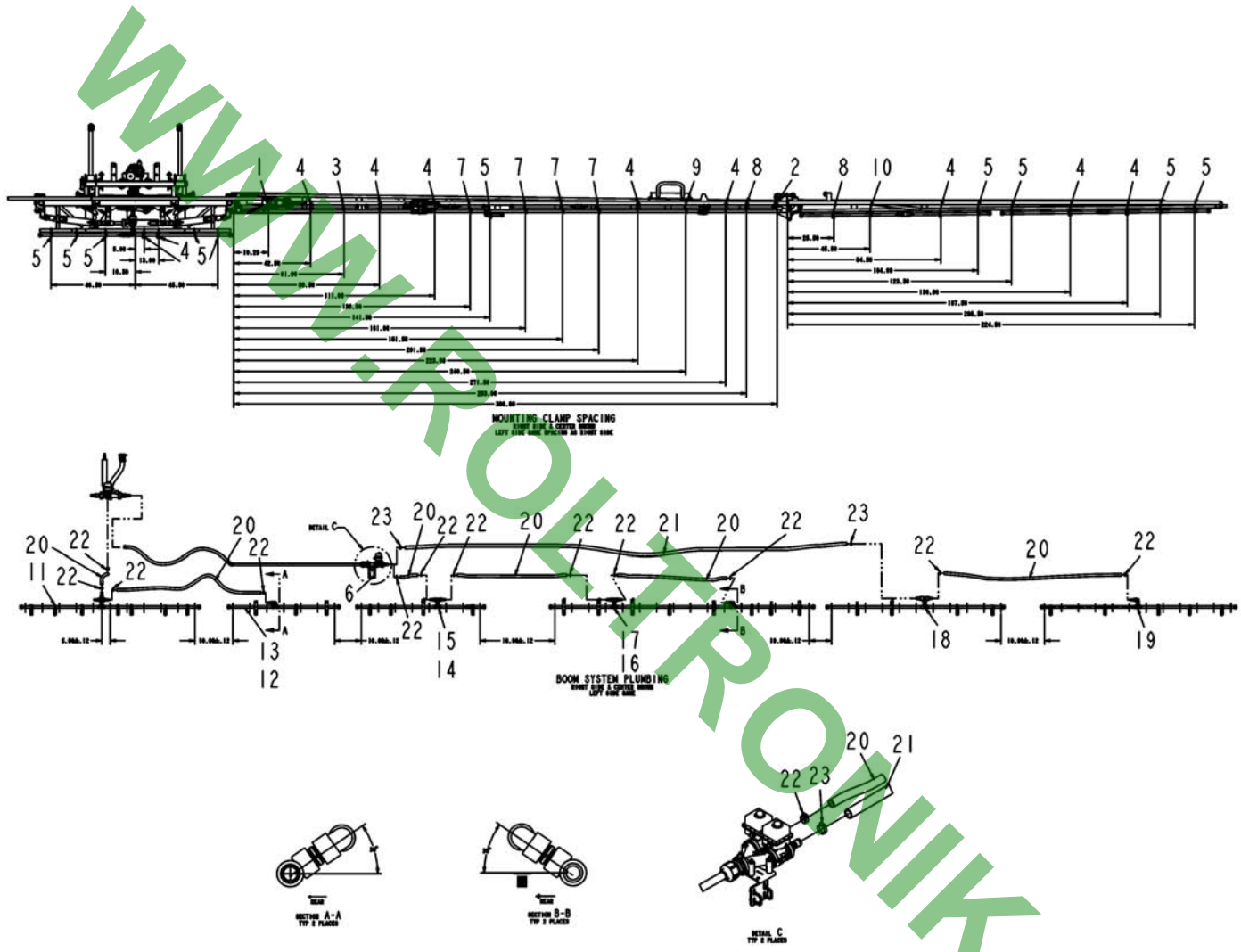
ITEM	PART #	QTY	DESCRIPTION	COMMENTS
1	AG000766	1	BARB-HOSE,1.50MNTTX1.50BARB,PP	
2	AG000772	3	GASKET 1.50 EPDM	
3	AG050260	1	BSHG-RDCR,HEX,2.00X1.25NPT,PP	
4	AG050271	1	COUPLING-PIPE,1.50NPT,PP	
5	AG056290	2	CONNECTOR 2.00FLGX1.25HOSE 90D	
6	AG056292	1	CONNECTOR 2.00FLGX1.50HOSE 90D	
7	AG056293	1	CONNECTOR 2.00FLGX1.50MNPT	
8	AG056785	3	CLAMP 2.00 FLANGE	
9	AG057573	1	ADAPTER 2.00FLANGEX2.00FPT	
10	AG124281	1	EDUCTOR ASM-CHEMICAL,PE	SEE PAGE 12-7
11	AG124288	1	BRACKET-MTG,SHORT,EDUCTOR	
12	AG129187	AR	PIPE SEALANT-POLY SEAL	
13	AG230095	2	STRIP INSULATION LONG	
14	AG513893	-	HOSE 1.25 2BRD EPDM [BULK: 4.834 FT]	
15	AG522800	-	HOSE-1.50,DISCHARGE,NITRILE [BULK: 4.250 FT]	
16	AG523923	1	VALVE-2.0 FLG,T HANDLE,PP	SEE PAGE 2-6
17	AG524024	1	VALVE-BALL,1.50NPT,T HANDLE	SEE PAGE 2-15
18	AG550256	8	BOLT.50-13NCX1.25 G5 ZN HHD	
19	AG550353	8	WASHER 0.50 FL ZN REG TYPE-B	
20	AG561231	8	CLAMP 1.06-2.00 HOSE 24HS	
21	AG601152	8	NUT 0.50-13NC HEX ZN REG NY	
22	AG710515	1	NIPPLE 1.50NPTX1.75CLS 304SS	



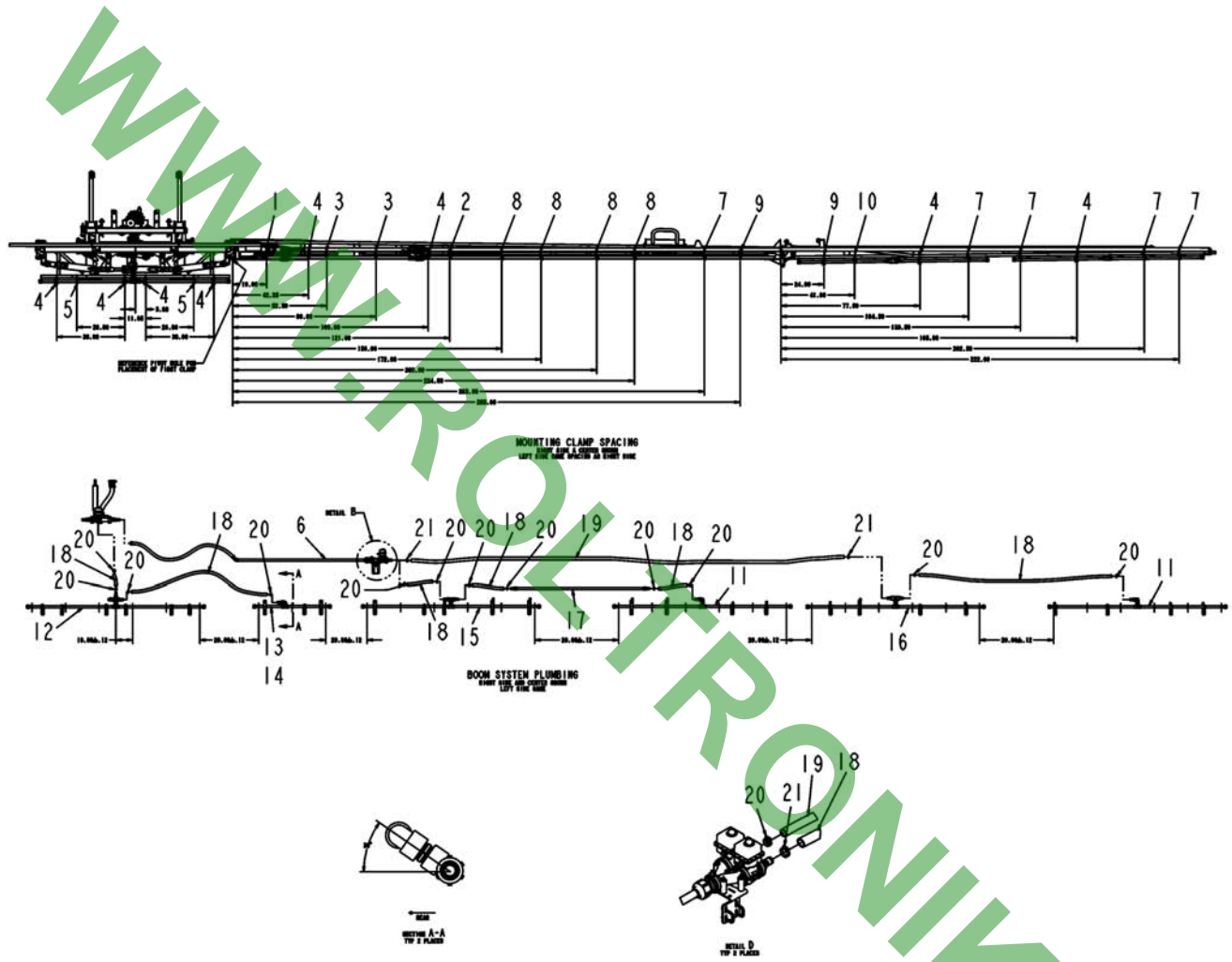
ITEM	PART #	QTY	DESCRIPTION	COMMENTS
1	WR12030	1	SPRING-EXTENSION	
2	AG108299	1	PIN MOUNT SPRING EDUCTOR	
3	AG108316	2	ROD, PIVOT INDUCTOR	
4	AG124279	1	MTG WLDMT-EDUCTOR,LH	
5	AG124280	1	MTG WLDMT-EDUCTOR,RH	
6	AG124282	2	PLATE-ARM, LOWER	
7	AG124283	2	PLATE-ARM, UPPER	
8	AG124285	1	MTG WLDMT-POLY EDUCTOR	
9	AG124450	1	KIT-EDUCTOR,CHEM,PR,CLEANLOAD	SEE PAGE 12-29
10	AG511099	-	GREASE-MULTI PURPOSE LITH. [BULK: 0.001 LB]	
11	AG512885	AR	LOCTITE ADHESIVE SEALANT BLUE	
12	AG516403	1	NUT 0.31-18NC HEX ESNA SS	
13	AG517536	2	KNOB, THREADED	
14	AG550175	4	BOLT 0.37-16NCX 1.00 G5 ZN HHD	
15	AG550491	4	WASHER LK 0.37 ZN REG	
16	AG550205	1	WASHER LK 0.31 ZN REG	
17	AG550213	1	NUT 0.31-18NC HEX ZN REG	
18	AG550620	2	SCREW 10-24X.75 MA RHD SL ZN	
19	AG550647	2	NUT 10-24NC HEX ZN REG	
20	AG550825	4	NUT 0.37-16NC HEX ZN REG	
21	AG551007	8	WASHER FL 0.37 ZN REG TYPE-B	
22	AG551015	1	WASHER 0.31 FL ZN REG TYPE-B	
23	AG551252	1	BOLT 0.31-18NCX 1.00 G5 ZN HHD	
24	AG552321	2	PIN COTTER 0.09X1.00 ZN (D)	
25	AG552410	4	BOLT 0.50-13NCX 4.00 G5 ZN HHD	
26	AG553182	2	WASHER #10 LK ZN REG	
27	AG553670	2	WASHER #10 FL ZN SAE TYPE A	
28	AG561892	2	FITTING LUBE STR 0.25UNF	
29	AG562080	1	BOLT 0.31-18NCX 2.00 S.S. HHD	
30	AG600008	1	HOOK RUBBER 510327 (P)	[A]
31	AG600016	1	BRACKET HOOD 510327 (P)	
32	AG601152	8	NUT 0.50-13NC HEX ZN REG NY	
33	AG601764	1	ANCHOR BRKT HOOD HOOK HUNT	
	FOOTNOTE [A]		AG608908 IS ABOUT 1 SHORTER	



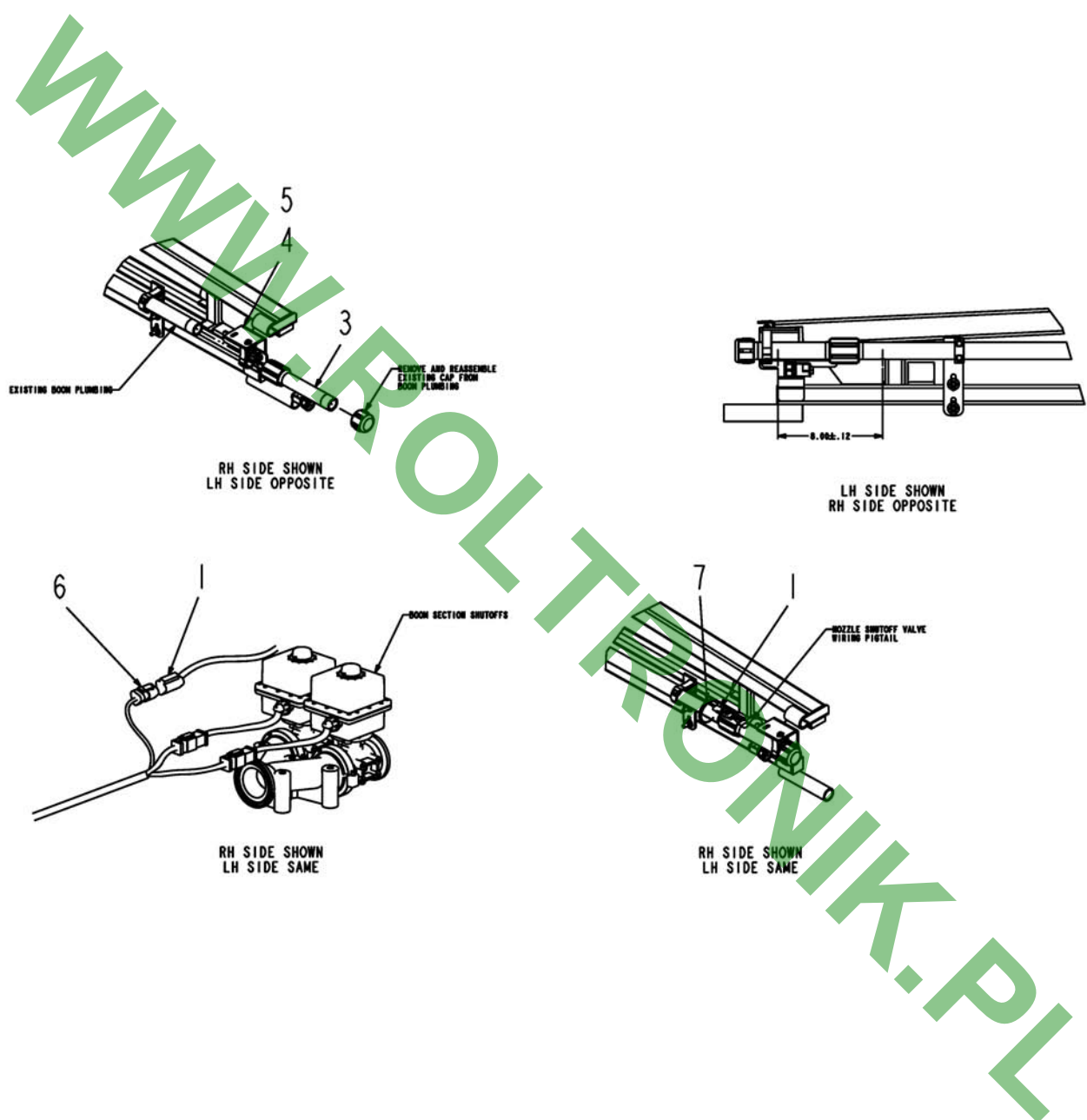
ITEM	PART #	QTY	DESCRIPTION	COMMENTS
1	AG050206	2	VALVE 1.00 NPT BALL UNION POLY	SEE PAGE 2-4
2	AG050259	1	BSHG-RDCR,HEX,2.00X1.00NPT,PP	
3	AG050680	1	BSHG-RDCR,HEX,3.00X1.50NPT,PP	
4	AG050683	1	PLUG-PIPE,HEX,3.00NPT,PP	
5	AG051125	1	ELBOW-PIPE,0.50FNPT,90D,PP	
6	AG051149	2	NIPPLE-PIPE,0.50NPTXCLS,PP	
7	AG053079	1	REDUCER NIPPLE 1.50 X 1.00	
8	AG056275	1	GASKET 1.00 EPDM MANIFOLD	[A]
9	AG056277	2	CONNECTOR 1.00 MANIFOLD MATHD	
10	AG056278	1	PLUG 1.00 MANIFOLD	
11	AG056778	1	CLAMP 1.00	
12	AG129187	AR	PIPE SEALANT-POLY SEAL	
13	AG237653	1	DECAL-TALON	
14	AG260019	1	VENT ASM-TANK	SEE PAGE 12-3
15	AG501329	1	TANK CHEMICAL 20 GAL PLASTIC	
16	AG501330	1	BASE TANK PLASTIC	
17	AG520345	1	NIPPLE END-.50 NPT,DRY BREAK	
18	AG562304	1	ELBOW 90D 1.00X1.00 S.S. 304	
19	AG710516	2	NIPPLE 1.00NPTX CLS 304SS	
	FOOTNOTE [A]		IDENTIFIED BY WHITE BAR ON SIDE	



ITEM	PART #	QTY	DESCRIPTION	COMMENTS
1	AG122511	2	BRKT ASM-STR,LG,2IPS CLP,LG U	SEE PAGE 4-57
2	AG122518	2	BRKT ASM-Z,IPS CLP	SEE PAGE 4-59
3	AG122519	2	BRKT ASM-STR,LG,2IPS CLP	SEE PAGE 4-61
4	AG122520	18	BRKT ASM-L,PP STAUFF	SEE PAGE 4-62
5	AG122521	15	BRKT ASM-STR,SH,IPS CLP	SEE PAGE 4-63
6	AG122565	1	SYS INSTL-PLMB,100X5,ELEC VLV	SEE PAGE 2-34
7	AG122608	8	BRKT ASM-STR,LS,IPS,1.25 P CLP	SEE PAGE 4-70
8	AG122609	4	BRKT ASM-L,PP STAUFF,1.25 PCLP	SEE PAGE 4-71
9	AG122979	2	BRKT ASM-STR,LG,2P CLP,IPS CLP	SEE PAGE 4-72
10	AG122980	2	BRKT ASM-STR,LG,IPS,REV PCLP	SEE PAGE 4-73
11	AG134642	1	PIPE ASM-X W/3 1.00HB,11X10,PP	SEE PAGE 4-23
12	AG134643	1	PIPE ASM-90D W/1HB,7X10,PP,LH	SEE PAGE 4-24
13	AG134644	1	PIPE ASM-90D W/1HB,7X10,PP,RH	SEE PAGE 4-25
14	AG134645	1	PIPE ASM-T W/2 1HB,8X10,PP,LH	SEE PAGE 4-26
15	AG134646	1	PIPE ASM-T W/2 1HB,8X10,PP,RH	SEE PAGE 4-27
16	AG134647	1	PIPE ASM-T/90D,16X10,PP,LH	SEE PAGE 4-28
17	AG134648	1	PIPE ASM-T/90D,16X10,PP,RH	SEE PAGE 4-29
18	AG134657	2	PIPE ASM-T W/1.25/1HB,11X10,PP	SEE PAGE 4-39
19	AG134658	2	PIPE ASM-90D W/1.00HB,12X10,PP	SEE PAGE 4-40
20	AG511528	-	HOSE 1.00 2BRD EPDM [BULK: 58.417 FT]	
21	AG513393	-	HOSE 1.25 2BRD EPDM [BULK: 43.834 FT]	
22	AG561213	21	CLAMP 0.81-1.50 HOSE 16HS	
23	AG561230	4	CLAMP 0.81-1.75 HOSE 20HS	
24	AG562496	AR	TIE CABLE 15.0 .18-4.00 BLACK	

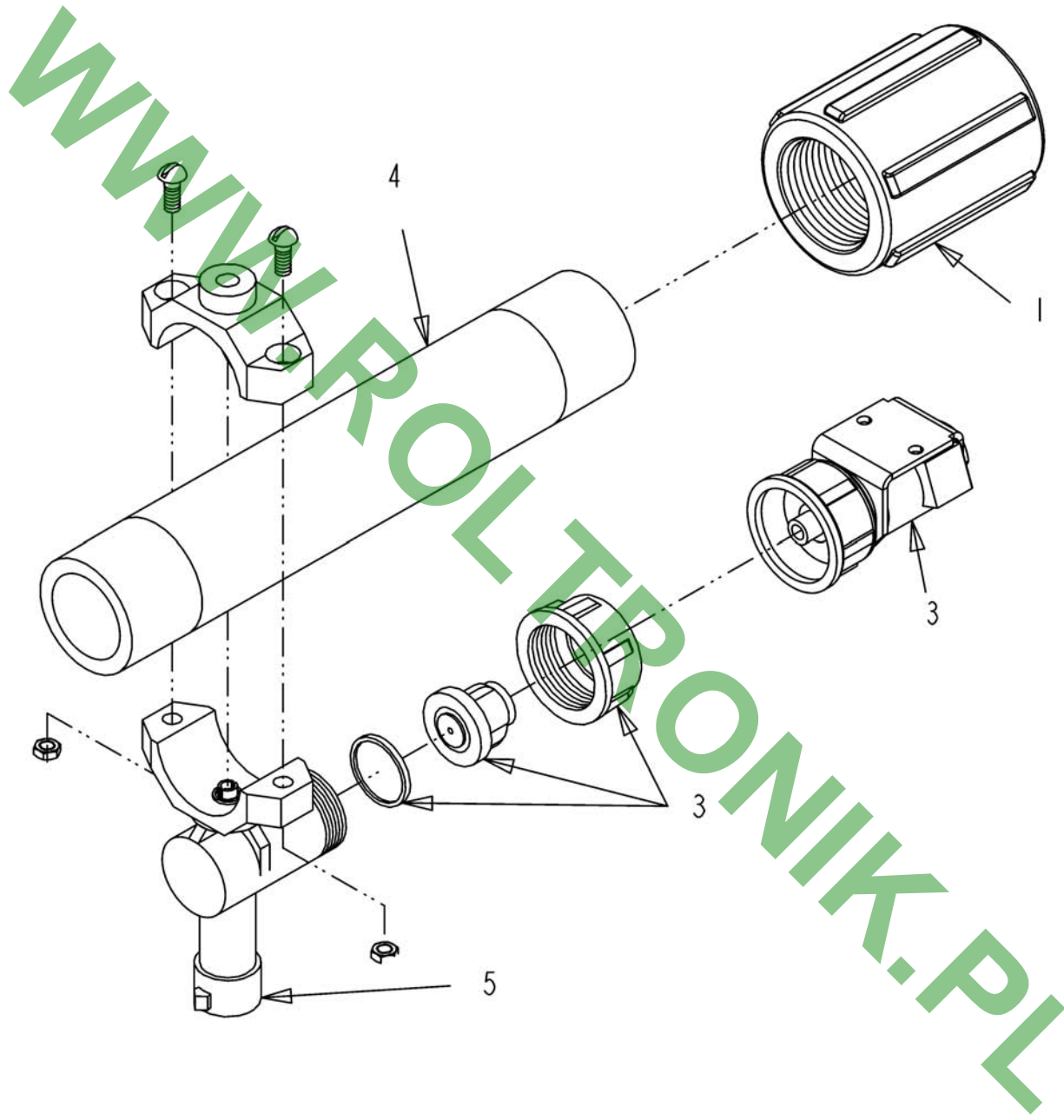


ITEM	PART #	QTY	DESCRIPTION	COMMENTS
1	AG122511	2	BRKT ASM-STR,LG,2IPS CLP,LG U	SEE PAGE 4-57
2	AG122513	2	BRKT ASM-L,PP STAUFF 1.25 P	SEE PAGE 4-74
3	AG122519	4	BRKT ASM-STR,LG,2IPS CLP	SEE PAGE 4-61
4	AG122520	12	BRKT ASM-L,PP STAUFF	SEE PAGE 4-62
5	AG122521	2	BRKT ASM-STR,SH,IPS CLP	SEE PAGE 4-63
6	AG122565	1	SYS INSTL-PLMB,100X5,ELEC VLV	SEE PAGE 2-34
7	AG122606	10	BRKT ASM-STR,SH,IPS,1.25 P CLP	SEE PAGE 4-75
8	AG122607	8	BRKT ASM-STR,LG,1.25 PCLP 2IPS	SEE PAGE 4-76
9	AG122609	4	BRKT ASM-L,PP STAUFF,1.25 PCLP	SEE PAGE 4-71
10	AG122980	2	BRKT ASM-STR,LG,IPS,REV PCLP	SEE PAGE 4-73
11	WR127095	4	PIPE ASM-90D W/1.00HB,6X20,PP	SEE PAGE 4-107
12	AG134651	1	PIPE ASM-X W/3 1.00HB,6X20,PP	SEE PAGE 4-33
13	AG134652	1	PIPE ASM-90D W/1HB,3X20,PP,RH	SEE PAGE 4-34
14	AG134653	1	PIPE ASM-90D W/1HB,3X20,PP,LH	SEE PAGE 4-35
15	AG134654	2	PIPE ASM-T W/2 1.00HB,6X20,PP	SEE PAGE 4-36
16	AG134659	2	PIPE ASM-T W/1.25/1HB,6X20,PP	SEE PAGE 4-41
17	AG134667	2	PIPE ASM-W/2 1.00HB,77.00,PP	SEE PAGE 4-32
18	AG511528	-	HOSE 1.00 2BRD EPDM [BULK: 43.417 FT]	
19	AG513393	-	HOSE 1.25 2BRD EPDM [BULK: 43.167 FT]	
20	AG561213	22	CLAMP 0.81-1.50 HOSE 16HS	
21	AG561230	4	CLAMP 0.81-1.75 HOSE 20HS	
22	AG562496	AR	TIE CABLE 15.0 .18-4.00 BLACK	



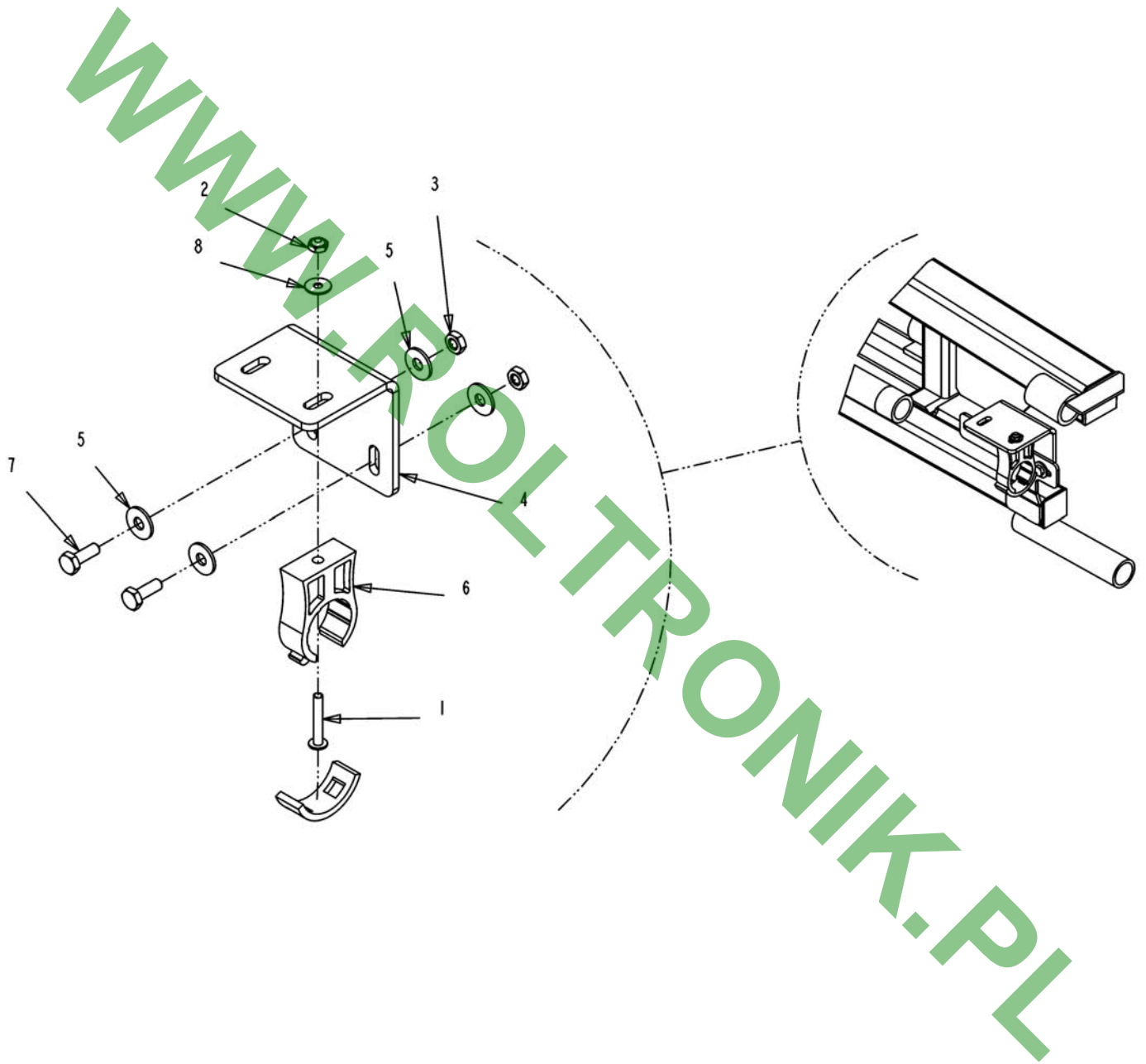
ITEM	PART #	QTY	DESCRIPTION	COMMENTS
1	AG122657	2	HARNES-END ROW	
2	AG129187	AR	PIPE SEALANT-POLY SEAL	
3	AG134668	2	PIPE ASM-ENDROW,ELEC,10/20,PP	SEE PAGE 12-12
4	AG134670	1	BRKT ASM-ENDROW,IPS CLP,RH	SEE PAGE 12-13
5	AG134747	1	BRKT ASM-ENDROW,IPS CLP,LH	SEE PAGE 12-14
6	AG504299	-	HARNES-ELEC BM SECT VLV(SYS)	
7	AG553557	AR	TIE CABLE 7.37 .06-1.37 BLACK	

WWW.ROLTRONIK.PL



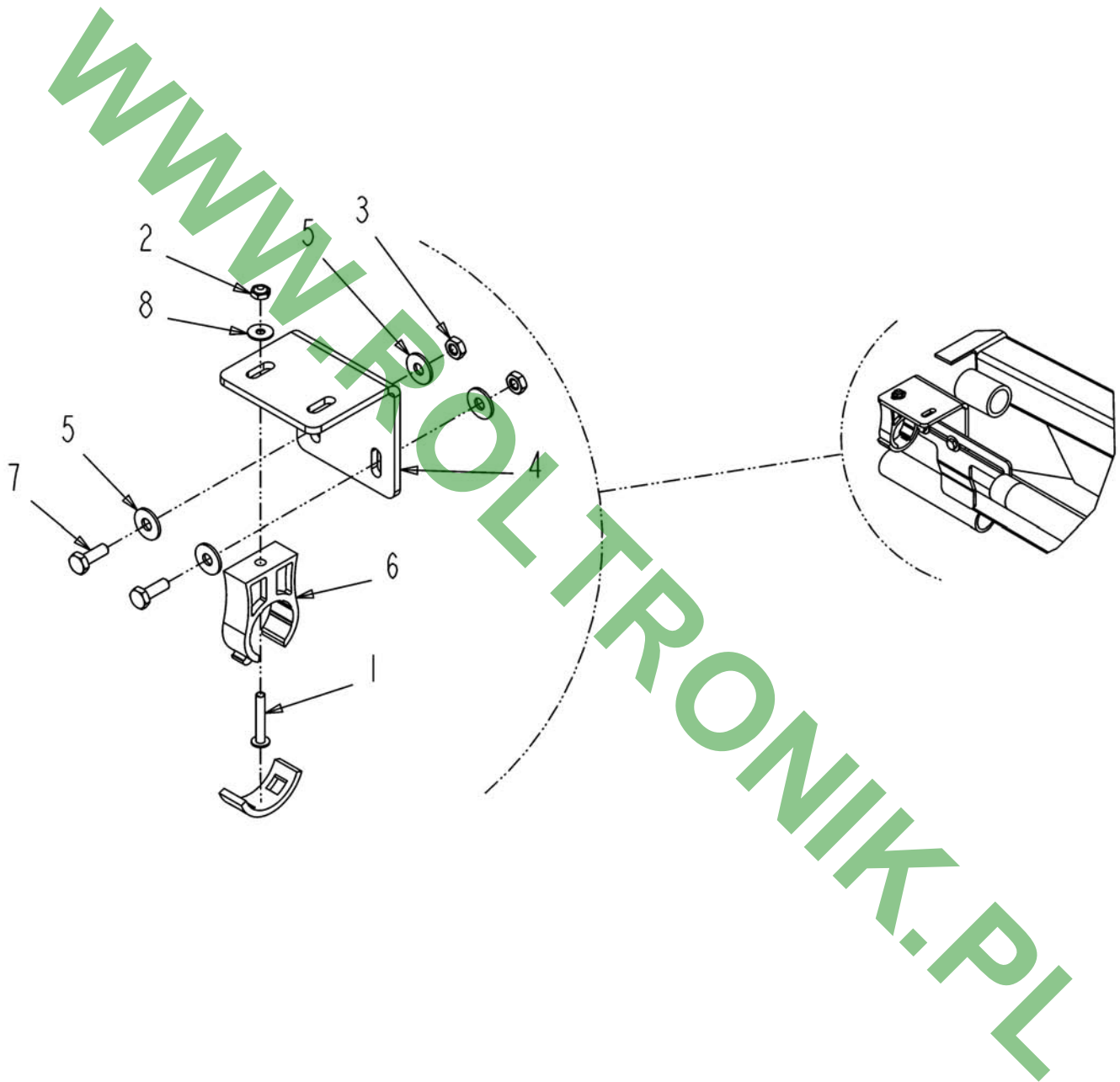
ITEM	PART #	QTY	DESCRIPTION	COMMENTS
1	AG051131	1	COUPLING-PIPE,1.00NPT,PP	
2	AG129187	AR	PIPE SEALANT-POLY SEAL	
3	AG129947	1	VALVE-SOL,NOZ BODY,ARAG,150PSI	SEE PAGE 3-22
4	AG134603	1	TUBE-BOOM,PP,10,7.13	
5	AG519561	1	NOZ HLDR-SGL 1.00 IPS	SEE PAGE 4-77

WWW.ROLTRONIK.PL



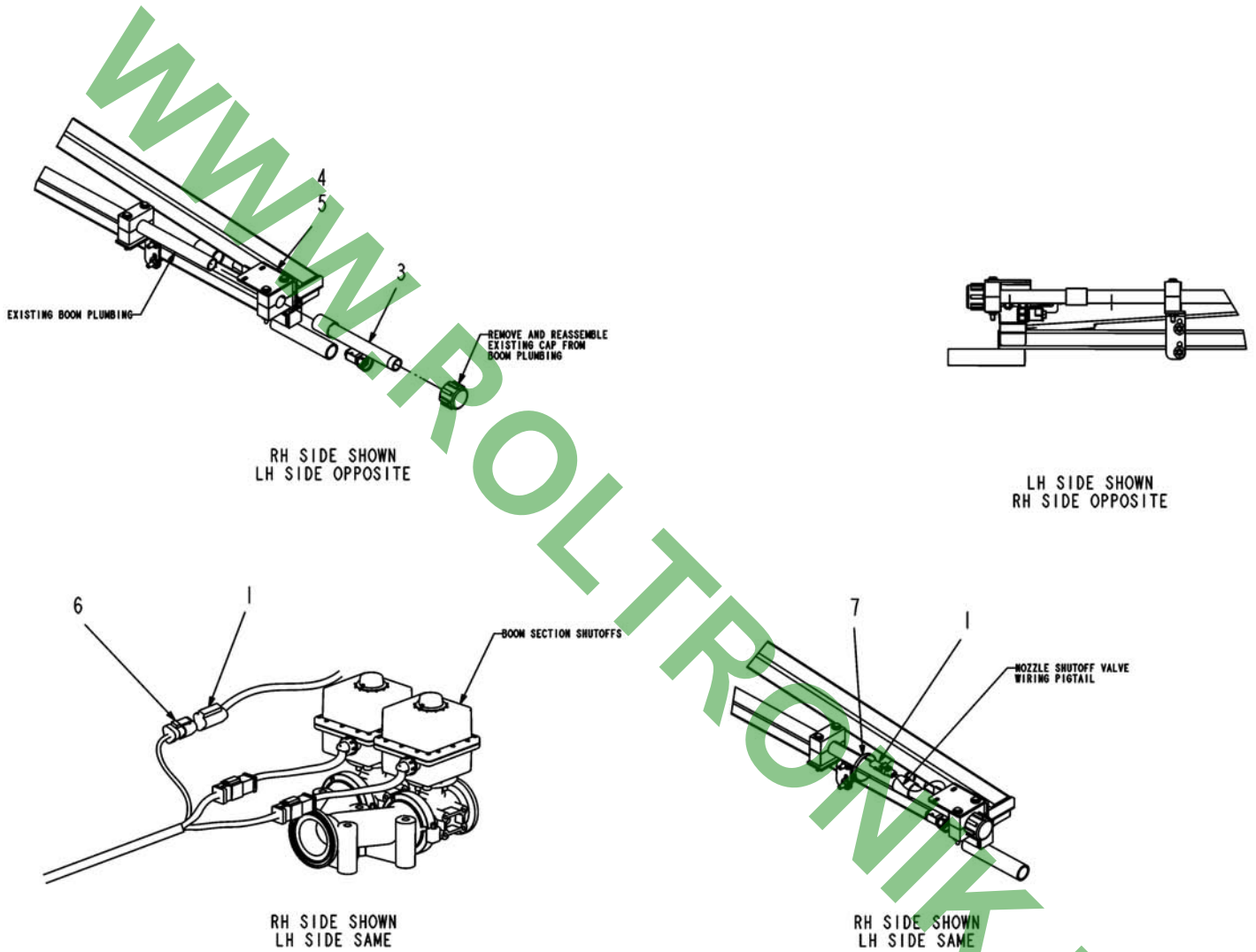
ITEM	PART #	QTY	DESCRIPTION	COMMENTS
1	AG027273	1	SCREW 10-24X 1.25 PHD PHILSS(P)	
2	AG027274	1	NUT 10-24NCSS LGT HX NY INS(P)	
3	AG027275	2	NUT,NY-LOCK 1/4-20 SS HX (P)	
4	AG134605	1	BRKT-MTG,STANDOFF,ENDROW	
5	AG515121	4	WASHER 0.25 FL SS REG	
6	AG519749	1	CLAMP 1.00 IPS POLY	[A]
7	AG562054	2	BOLT 0.25-20NCX 0.75 S.S. HHD	
8	AG562082	1	WASHER #10 FL SS SAE	
	FOOTNOTE [A]		SCREWS - AG027273, WASHERS - AG562082	

WWW.ROLTRONIK.PL



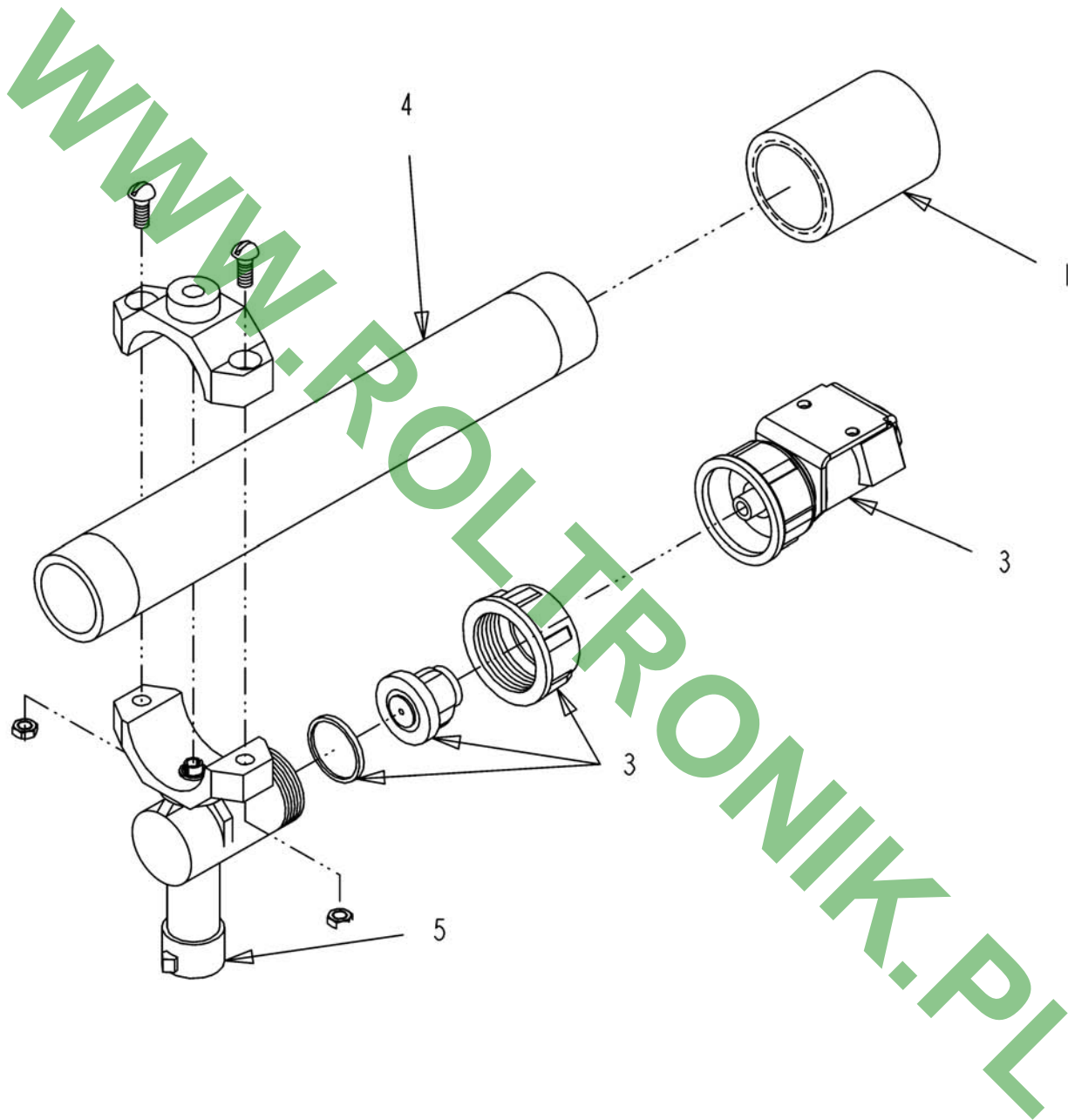
ITEM	PART #	QTY	DESCRIPTION	COMMENTS
1	AG027273	1	SCREW 10-24X 1.25 PHD PHILSS(P)	
2	AG027274	1	NUT 10-24NCSS LGT HX NY INS(P)	
3	AG027275	2	NUT,NY-LOCK 1/4-20 SS HX (P)	
4	AG134605	1	BRKT-MTG,STANDOFF,ENDROW	
5	AG515121	4	WASHER 0.25 FL SS REG	
6	AG519749	1	CLAMP 1.00 IPS POLY	[A]
7	AG562054	2	BOLT 0.25-20NCX 0.75 S.S. HHD	
8	AG562082	1	WASHER #10 FL SS SAE	
	FOOTNOTE [A]		SCREWS - AG027273, WASHERS - AG562082	

WWW.ROLTRONIK.PL



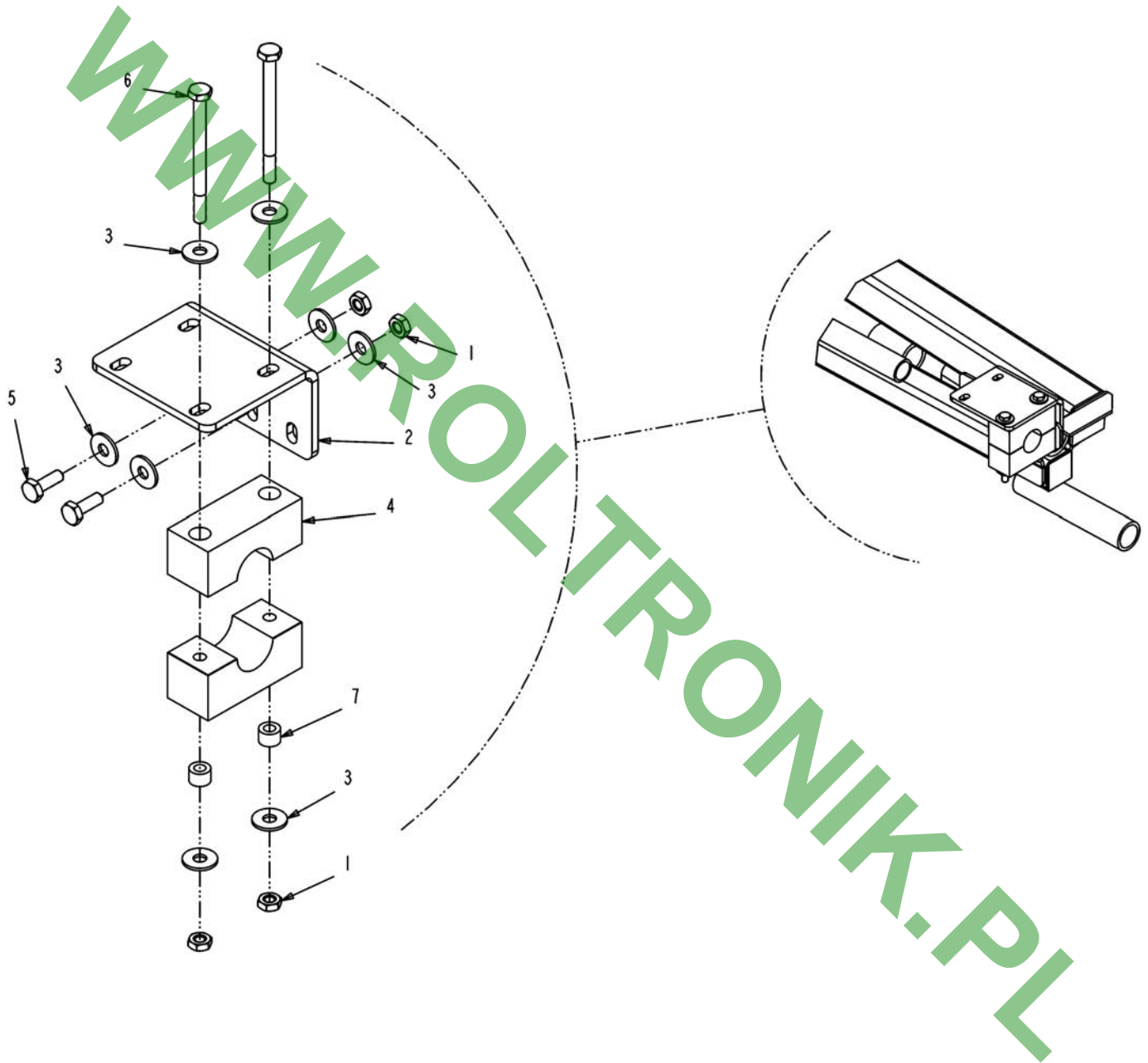
ITEM	PART #	QTY	DESCRIPTION	COMMENTS
1	AG122657	2	HARNES-END ROW	
2	AG129187	AR	PIPE SEALANT-POLY SEAL	
3	AG134669	2	PIPE ASM-ENDROW,ELEC,10/20,SS	SEE PAGE 12-16
4	AG134845	1	BRKT ASM-ENDROW,STAUFF,.75,LH	SEE PAGE 12-17
5	AG134846	1	BRKT ASM-ENDROW,STAUFF,.75,RH	SEE PAGE 12-18
6	AG504229	-	OPT-PP PLMB,20X90X5.OFF,GS	
7	AG553557	AR	TIE CABLE 7.37 .06-1.37 BLACK	

WWW.ROLTRONIK.PL



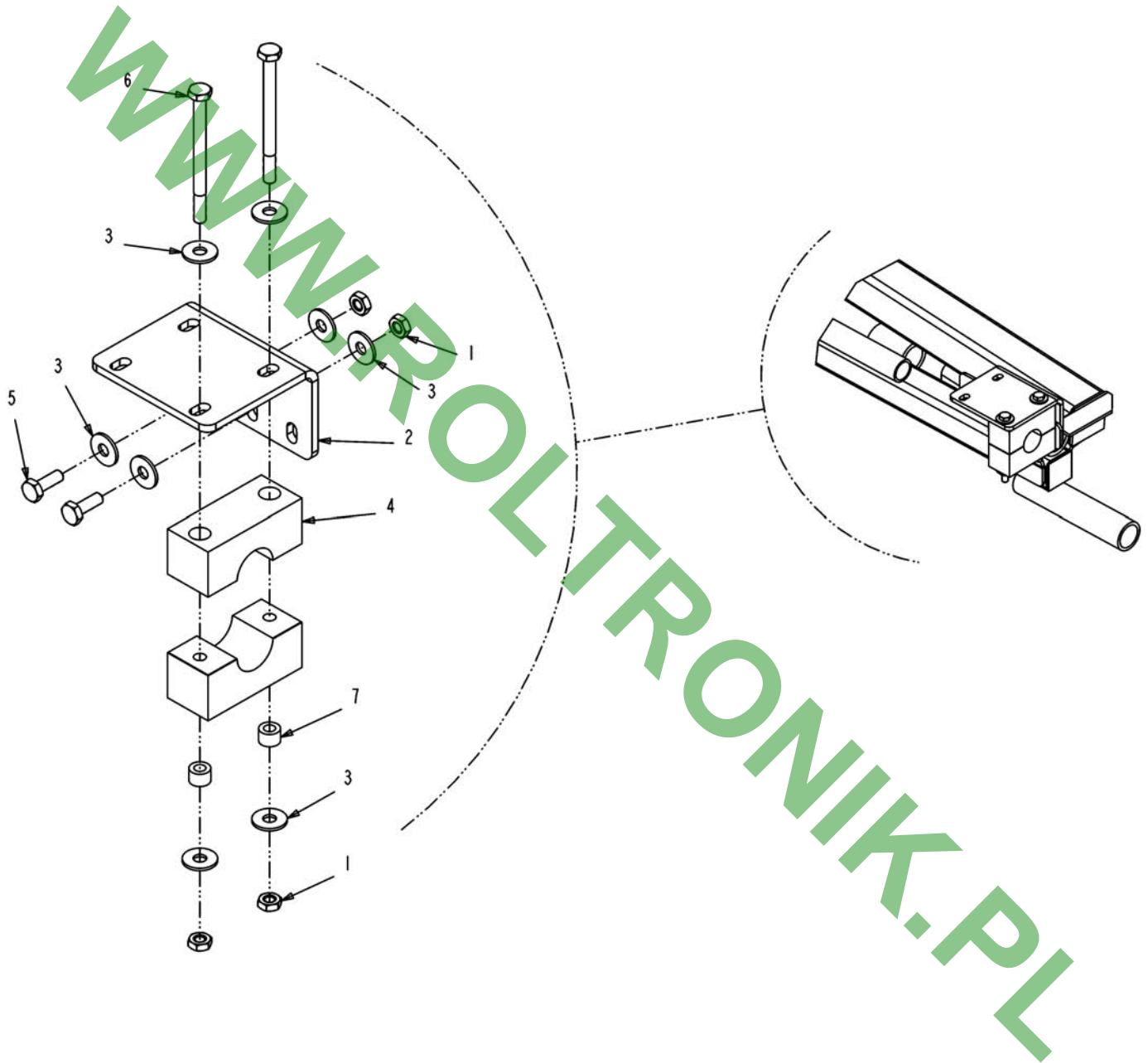
ITEM	PART #	QTY	DESCRIPTION	COMMENTS
1	AG051940	1	COUPLING 0.75 304SS	
2	AG129187	AR	PIPE SEALANT-POLY SEAL	
3	AG129947	1	VALVE-SOL,NOZ BODY,ARAG,150PSI	SEE PAGE 3-22
4	AG134753	1	TUBE-BOOM,SS,10,7.50	
5	AG518660	1	SINGLE NOZZLE HOLDER-.75 PIPE	SEE PAGE 4-78

WWW.ROLTRONIK.PL



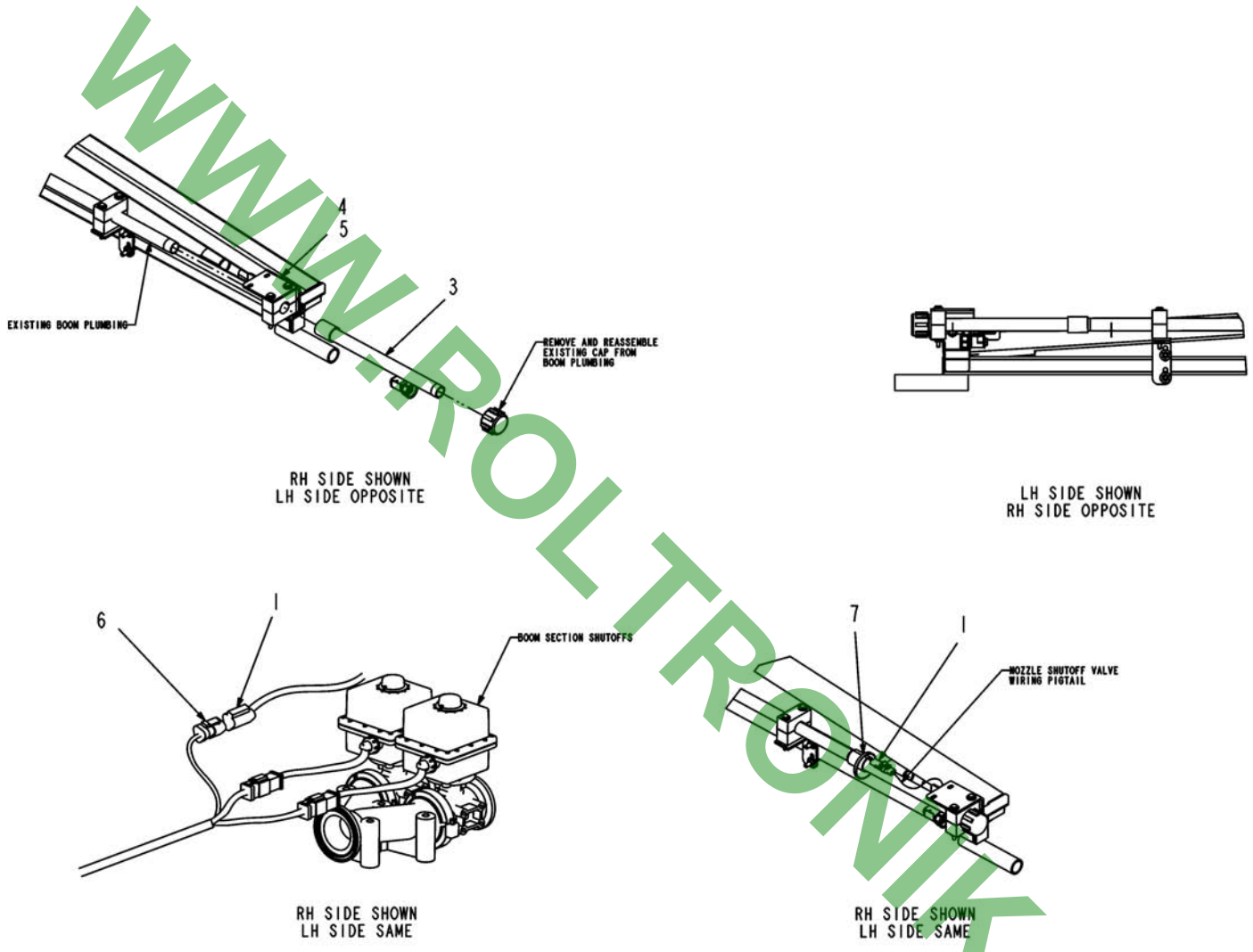
ITEM	PART #	QTY	DESCRIPTION	COMMENTS
1	AG027275	4	NUT,NY-LOCK 1/4-20 SS HX (P)	
2	AG134756	1	BRKT-MTG,STANDOFF,ER,SS,.75	
3	AG515121	8	WASHER 0.25 FL SS REG	
4	AG518326	1	CLAMP 3/4 INCH PIPE (RTG)	[A]
5	AG562054	2	BOLT 0.25-20NCX 0.75 S.S. HHD	
6	AG563061	2	BOLT 0.25-20NCX 3.25 SS HHD	
7	AG609777	2	INSERT STAUFF SPACER	[B]
	FOOTNOTE [A]		FOR 1 POLY CLAMP USE AG519748, THIS PART COMES WITH 2 SPACERS-AG609777	
	FOOTNOTE [A]		UNDER AG518326 YOU GET BOTH HALVES TO MAKE 1 CLAMP WITH INSERTS LESS	
	FOOTNOTE [A]		THE BOLTS AND NUTS. BOLT AG563061, NUT AG027275, WASHER AG515121	
	FOOTNOTE [B]		USED ON AG518339, AG518340 AND AG520133 CLAMP	

WWW.ROLTRONIK.PL



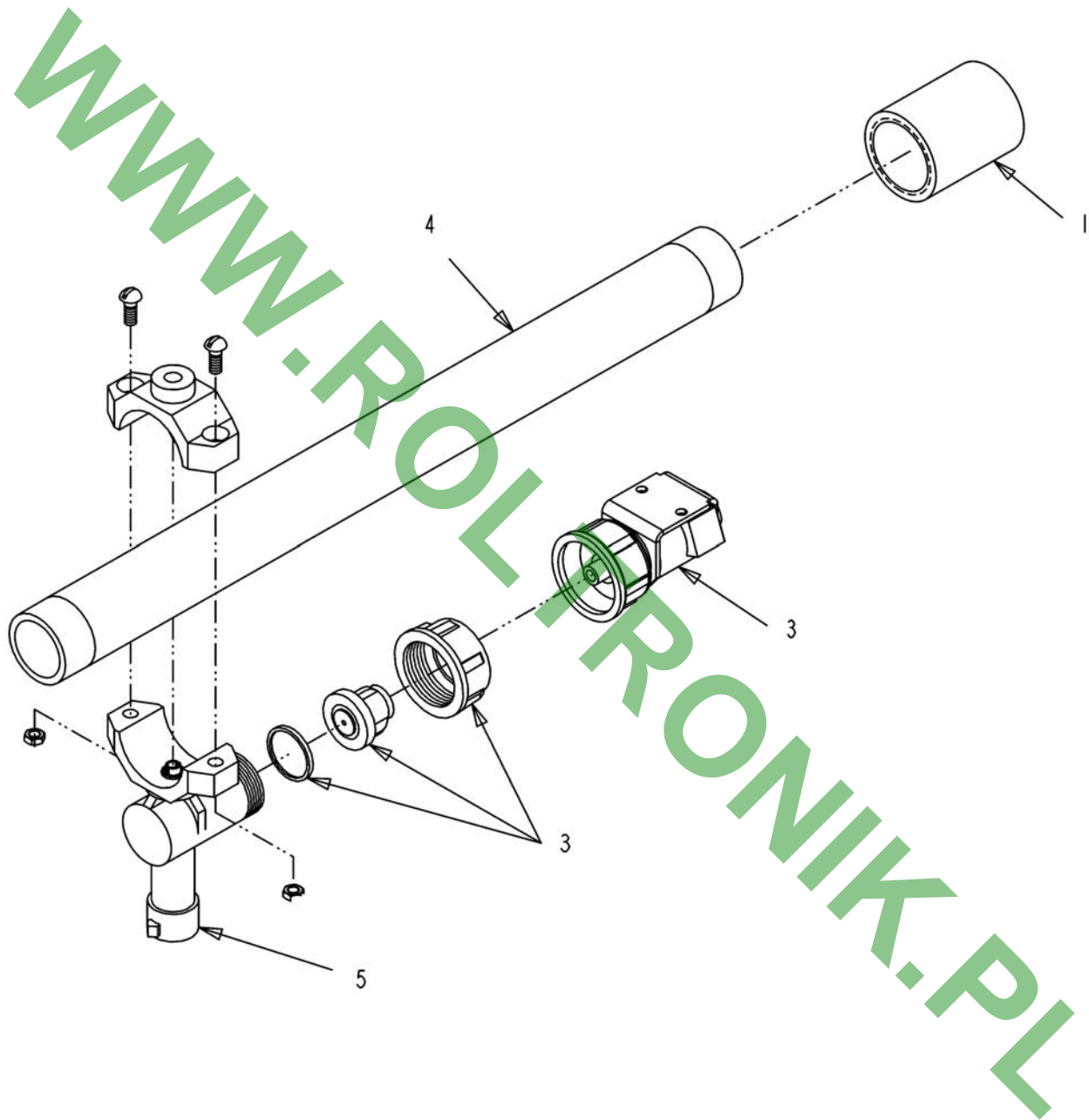
ITEM	PART #	QTY	DESCRIPTION	COMMENTS
1	AG027275	4	NUT,NY-LOCK 1/4-20 SS HX (P)	
2	AG134756	1	BRKT-MTG,STANDOFF,ER,SS,.75	
3	AG515121	8	WASHER 0.25 FL SS REG	
4	AG518326	1	CLAMP 3/4 INCH PIPE (RTG)	[A]
5	AG562054	2	BOLT 0.25-20NCX 0.75 S.S. HHD	
6	AG563061	2	BOLT 0.25-20NCX 3.25 SS HHD	
7	AG609777	2	INSERT STAUFF SPACER	[B]
	FOOTNOTE [A]		FOR 1 POLY CLAMP USE AG519748, THIS PART COMES WITH 2 SPACERS-AG609777	
	FOOTNOTE [A]		UNDER AG518326 YOU GET BOTH HALVES TO MAKE 1 CLAMP WITH INSERTS LESS	
	FOOTNOTE [A]		THE BOLTS AND NUTS. BOLT AG563061, NUT AG027275, WASHER AG515121	
	FOOTNOTE [B]		USED ON AG518339, AG518340 AND AG520133 CLAMP	

WWW.ROLTRONIK.PL



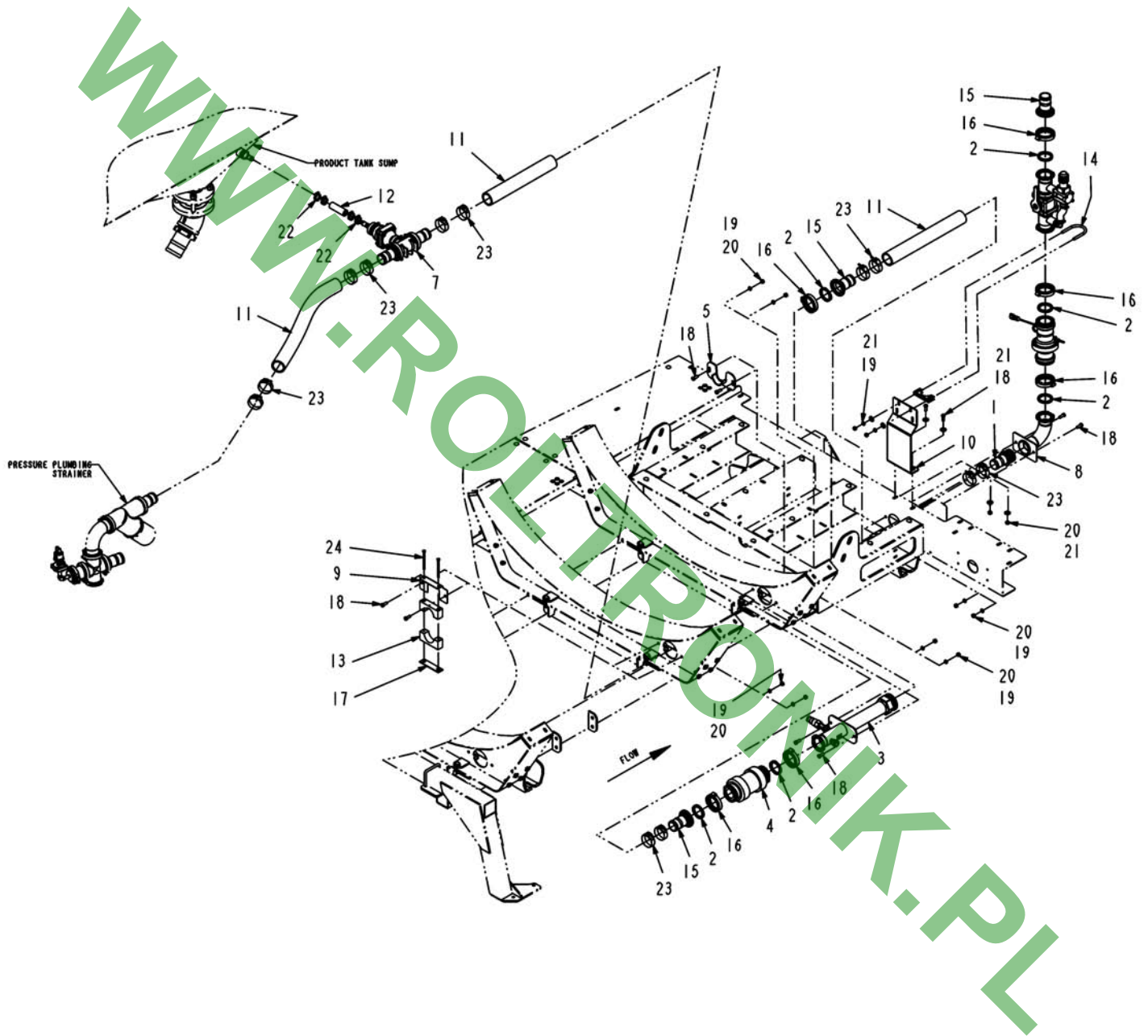
ITEM	PART #	QTY	DESCRIPTION	COMMENTS
1	AG122657	2	HARNES-END ROW	
2	AG129187	AR	PIPE SEALANT-POLY SEAL	
3	AG134604	2	PIPE ASM-ENDROW,ELEC,15,SS	SEE PAGE 12-20
4	AG134845	1	BRKT ASM-ENDROW,STAUFF,.75,LH	SEE PAGE 12-17
5	AG134846	1	BRKT ASM-ENDROW,STAUFF,.75,RH	SEE PAGE 12-18
6	AG504299	-	HARNES-ELEC BM SECT VLV(SYS)	
7	AG553557	AR	TIE CABLE 7.37 .06-1.37 BLACK	

WWW.ROLTRONIK.PL

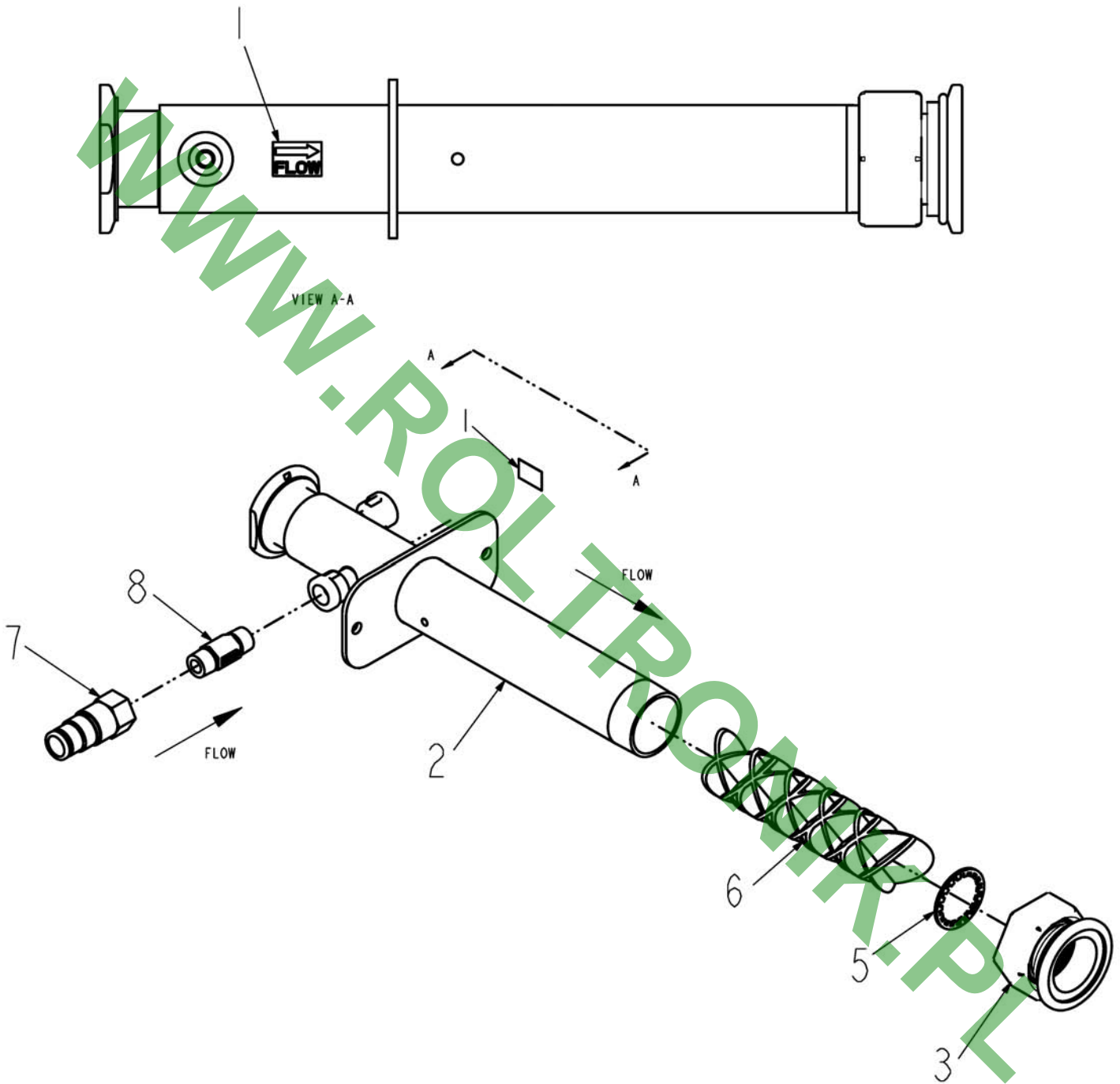


ITEM	PART #	QTY	DESCRIPTION	COMMENTS
1	AG051940	1	COUPLING 0.75 304SS	
2	AG129187	AR	PIPE SEALANT-POLY SEAL	
3	AG129947	1	VALVE-SOL,NOZ BODY,ARAG,150PSI	SEE PAGE 3-22
4	AG134849	1	TUBE-BOOM,SS,10,7.50	
5	AG518660	1	SINGLE NOZZLE HOLDER-.75 PIPE	SEE PAGE 4-78

WWW.ROLTRONIK.PL

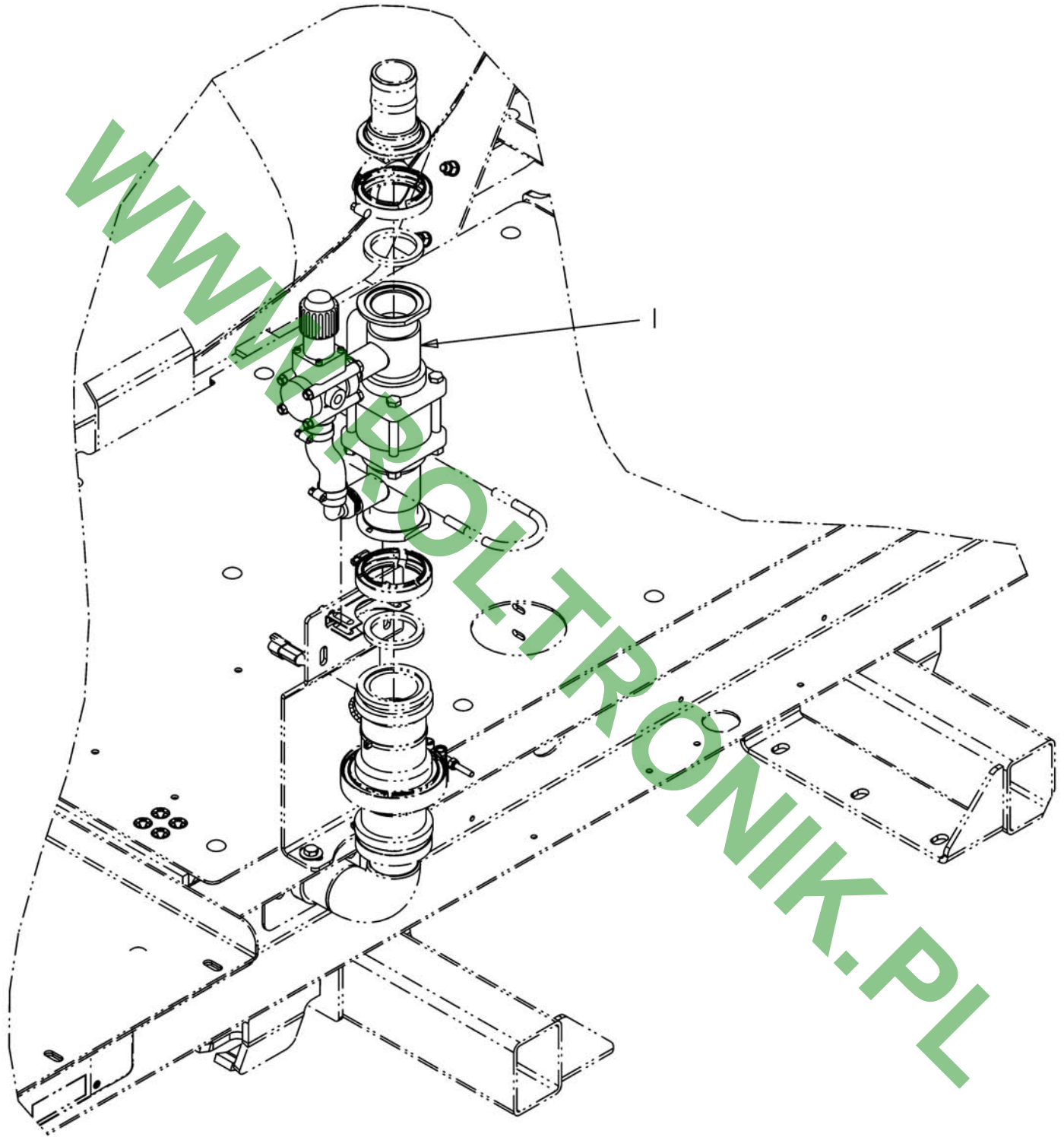


ITEM	PART #	QTY	DESCRIPTION	COMMENTS
1	AG000767	1	BARB-HOSE,2.00MNPTX2.00BARB,PP	
2	AG000773	6	GASKET 2.00 EPDM	
3	AG123592	1	NOZZLE ASM-INJ,2 LOOP,2.00 NPT	SEE PAGE 12-22
4	AG123996	1	VALVE ASM-CHECK,2.00 FP FLG	SEE PAGE 2-21
5	AG123999	1	SUPPORT WLDMT-2.00 MXR/INJ	
6	AG129187	-	PIPE SEALANT-POLY SEAL	
7	AG134343	1	TEE ASM-MANG,220X100,RLF VALVE	SEE PAGE 2-20
8	AG327785	1	MANIFOLD WLDMT-REAR,PRESS PLMB	
9	AG327850	1	BRKT-CLAMP,HOSE,PRESSURE	
10	AG327928	1	BRKT-FLOWMETER	
11	AG511722	-	HOSE-2.00,WIRE BRAID,EPDM [BULK: 5.042 FT]	
12	AG513385	-	HOSE,MED.PRESS 0.75 2BRD EPDM [BULK: 0.292 FT]	
13	AG518340	1	CLAMP 2.50 BLACK POLY (RTG)	[A]
14	AG522044	1	CLAMP-MUFFLER,2.50,SS	
15	AG522894	3	CONN-2.00 FLG X2.00 HOSE BARB	
16	AG522895	6	CLAMP-WORM SCREW,2.00,SS	
17	AG523940	1	PLATE-WELD,SINGLE,GROUP 7	
18	AG550175	10	BOLT 0.37-16NCX 1.00 G5 ZN HHD	
19	AG550191	10	WASHER LK 0.37 ZN REG	
20	AG550825	10	NUT 0.37-16NC HEX ZN REG	
21	AG551007	6	WASHER FL 0.37 ZN REG TYPE-B	
22	AG561229	4	CLAMP 0.68-1.25 HOSE 12HS	
23	AG561630	12	CLAMP 2.28-2.59HOSE VOSS-250SS	
24	AG562148	2	BOLT 0.25-20NCX 4.00 G5 ZN	
	FOOTNOTE [A]		THIS PART SHOULD COME WITH 2 SPACERS AG609777	
	FOOTNOTE [A]		AG563069 BOLT, AG515123 NUT, AG515121 FLAT WASHER, AG515122 LK WASHER	
	FOOTNOTE [A]		CLAMPS FOR FEED HOSE 2 WIRE BRAID AG511722-2.5 INCH OD.	



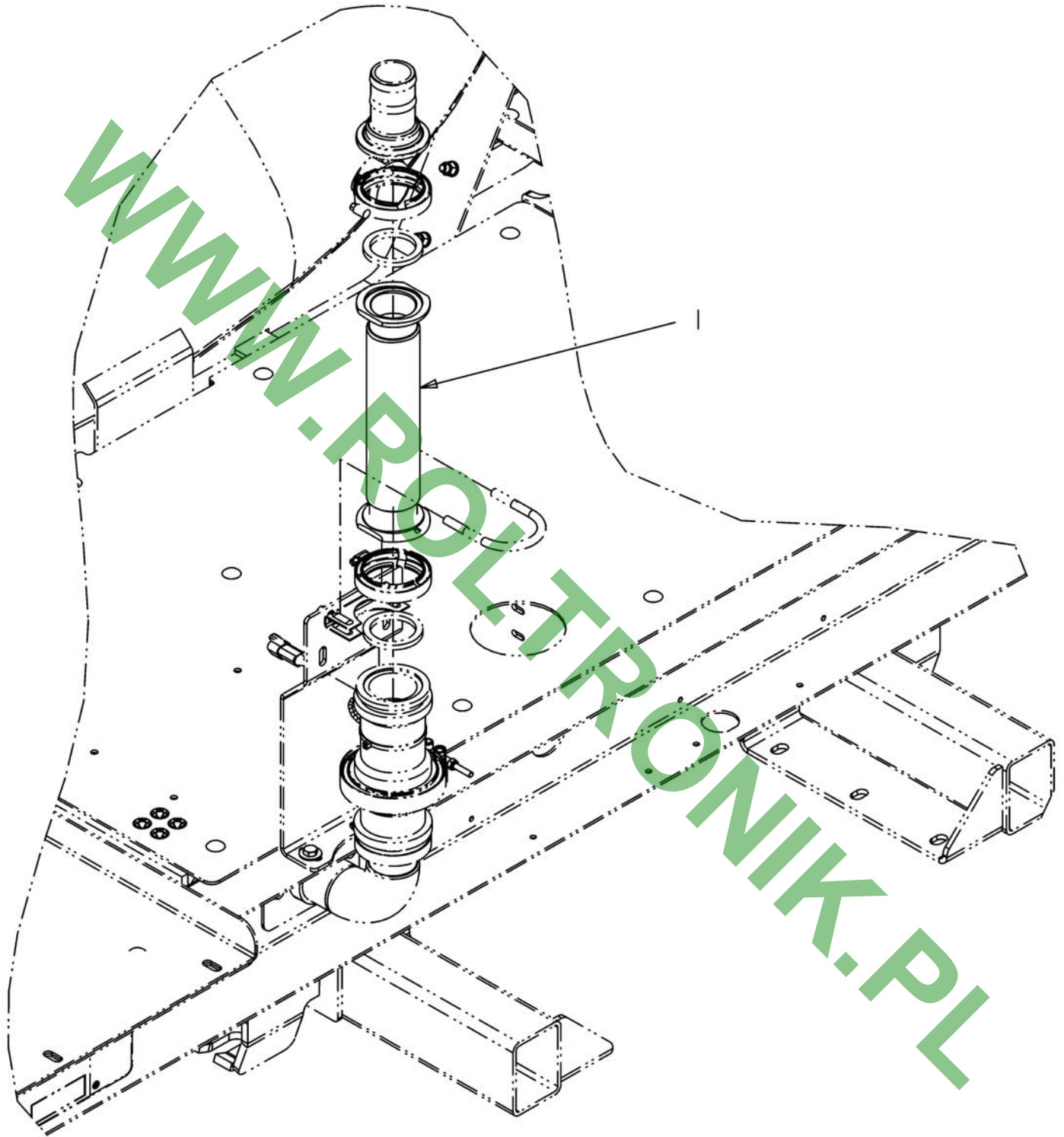
ITEM	PART #	QTY	DESCRIPTION	COMMENTS
1	AG109190	1	DECAL - FLOW	
2	AG123593	1	NOZZLE WLDMT-MXR,CHEM INJ,90D	
3	AG123944	1	ADAPTER 2.00FLGX2.00FNPT,FP,PP	
4	AG129187	AR	PIPE SEALANT-POLY SEAL	
5	AG239692	1	SPACER-RD,STOP	
6	AG518236	1	MIXER SECTION STATA-TUBE	
7	AG520345	1	NIPPLE END-.50 NPT,DRY BREAK	
8	AG522513	1	VALVE-CHECK,.50NPT,SS	

WWW.ROLTRONIK.PL



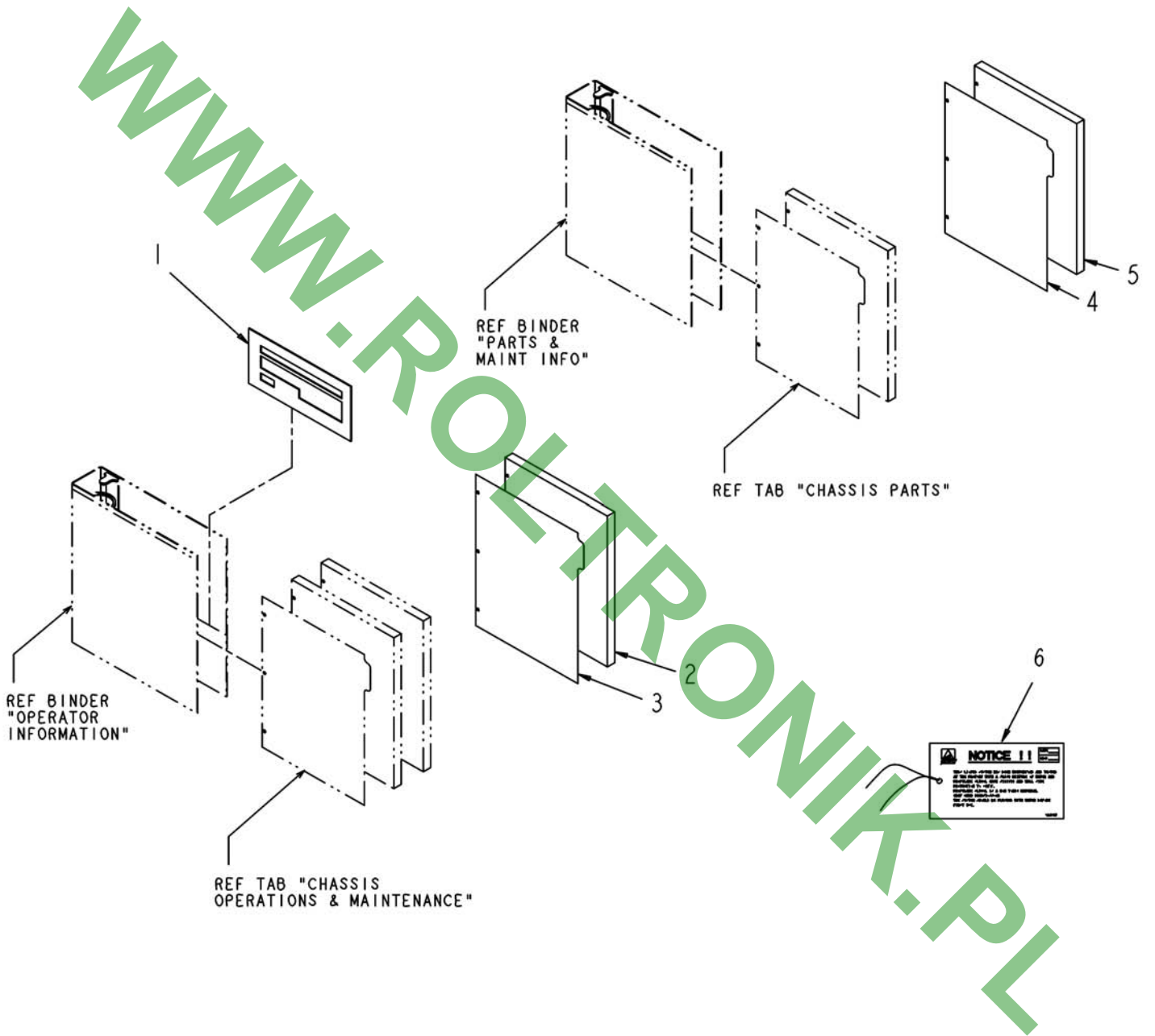
ITEM	PART #	QTY	DESCRIPTION	COMMENTS
1	AG135913	1	KIT ASM-LOW RATE,2.00FP FLG	SEE PAGE 2-29

WWW.ROLTRONIK.PL



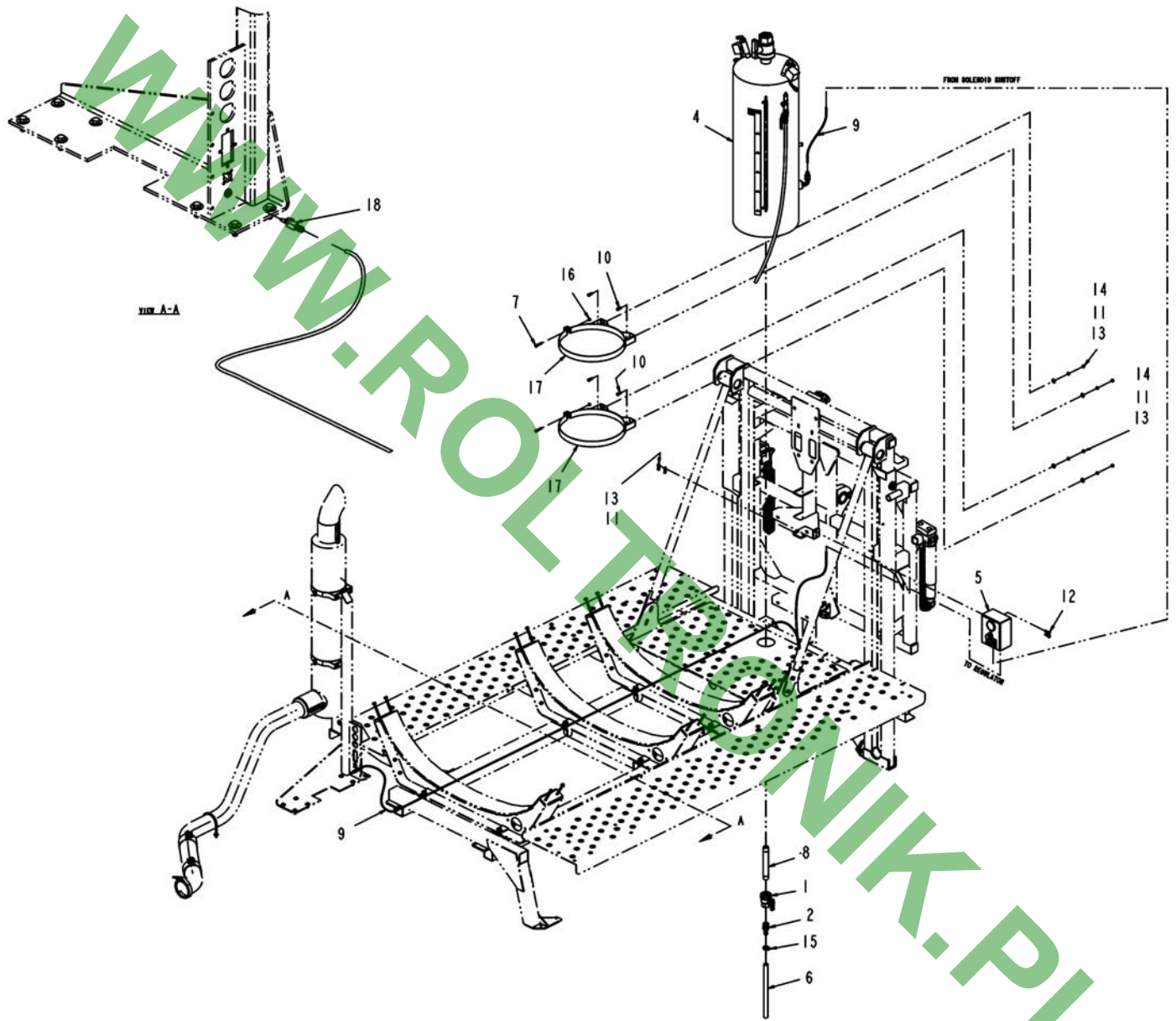
ITEM	PART #	QTY	DESCRIPTION	COMMENTS
1	AG135919	1	STR WLDMT-12.06,2.00FPX2.00FP	

WWW.ROLTRONIK.PL

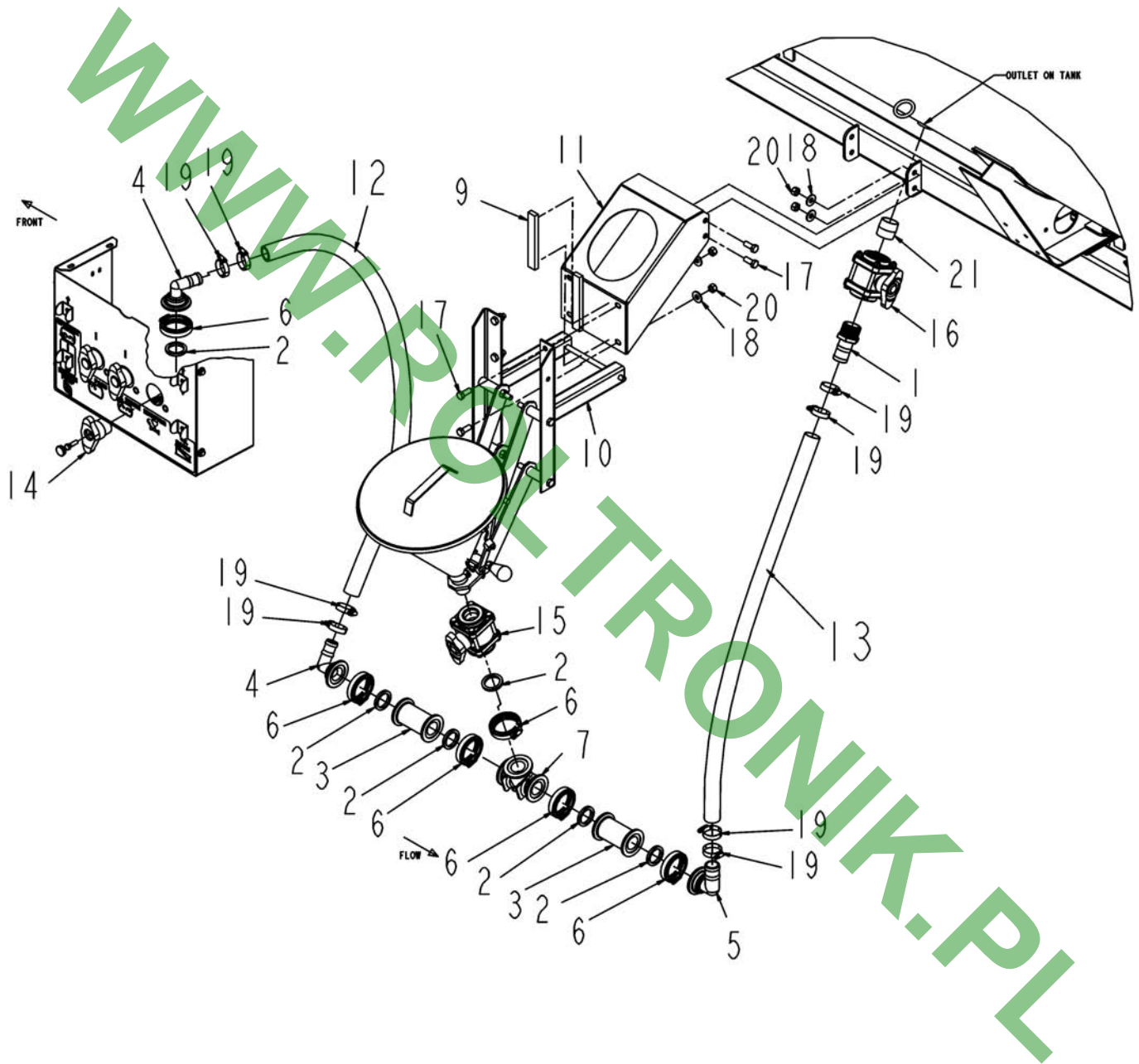


ITEM	PART #	QTY	DESCRIPTION	COMMENTS
REF	AG330594	-	MANUAL/OPR LIQ 8/10/12X4 06 FR	
REF	AG330595	-	MANUAL/OPR LIQ 8/10/12X4 06 SP	
1	AG709158	1	CALCULATOR LO RATE SPRAY CONT	[A]
2	AG135917	1	MANUAL-OPR,LIQ,8/10/12X4, 06	
3	AG054231	1	TAB SYSOPERMAIN-PART OF 054009	
4	AG054230	1	TAB APSYS PARTS-PART OF 054009	
5	AG135916	1	BOOK-PARTS,LIQ,8/10/12X4, 06	
6	AG215900	1	TAG WINTERIZED W/WIRE	
	FOOTNOTE [A]		INSTRUCTION SHEET IS AG717446	

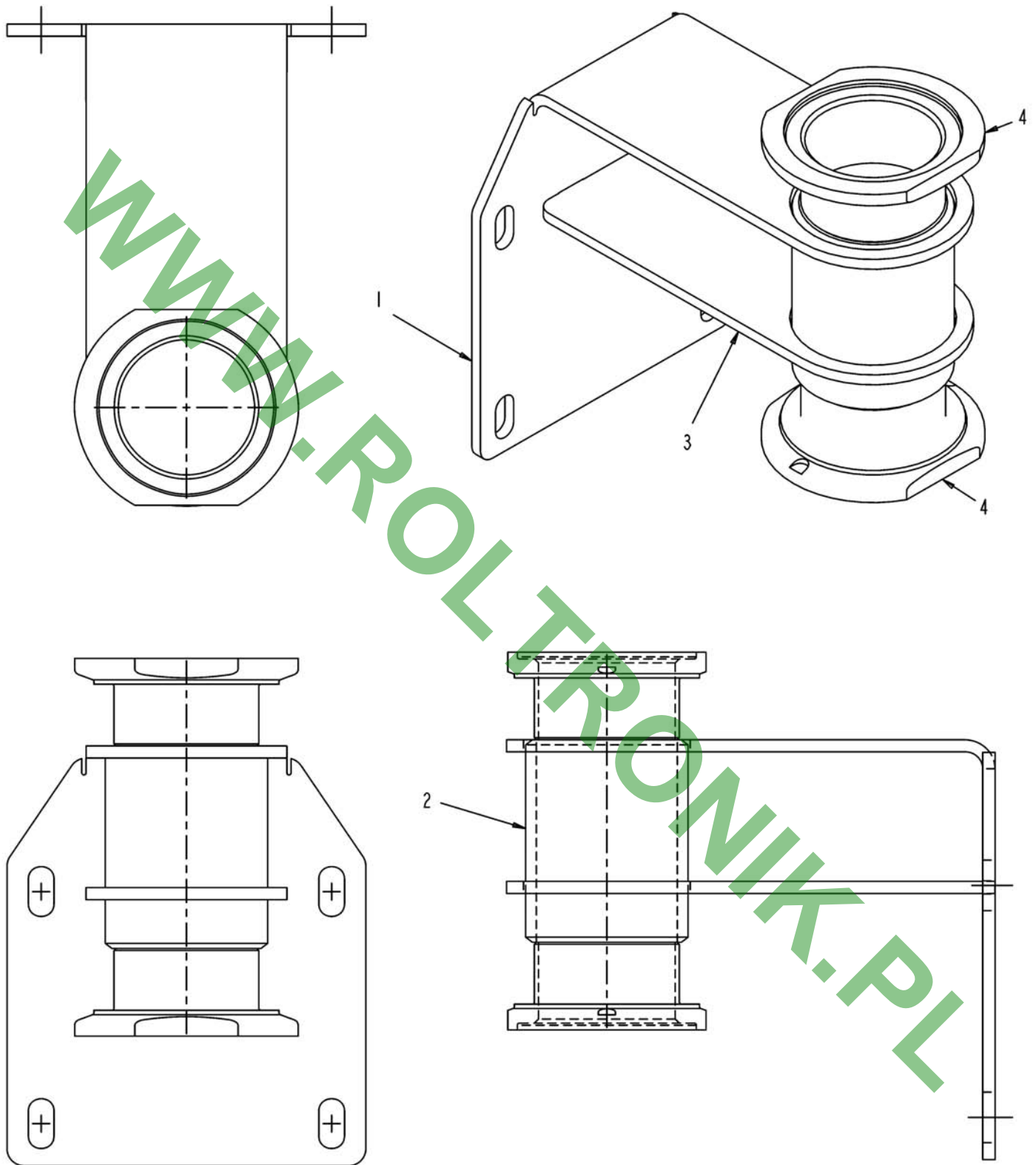
WWW.ROLTRONIK.PL



ITEM	PART #	QTY	DESCRIPTION	COMMENTS
1	AG050206	1	VALVE 1.00 NPT BALL UNION POLY	SEE PAGE 2-4
2	AG051182	1	BARB-HOSE,1.00MNPTX0.75BARB,PP	
3	AG129187	-	PIPE SEALANT-POLY SEAL	
4	AG136118	1	TANK ASM-FOAM,SS,36.5GL	SEE PAGE 9-10
5	AG136120	1	CTRL ASM-FOAM MARKER,LIQ,RC	SEE PAGE 9-11
6	AG512141	-	HOSE 0.75 CLEAR VINYL [BULK: 0.417 FT]	[A]
7	AG515277	2	BOLT 0.37-16NCX 1.75 S.S. HDD	
8	AG518218	1	NIPPLE 1.00NPTX 8.00 SS SCH 40	
9	AG518622	-	TUBING AIRLINE 0.25OD POLTHN [BULK: 21.083 FT]	
10	AG550175	4	BOLT 0.37-16NCX 1.00 G5 ZN HDD	
11	AG550191	6	WASHER LK 0.37 ZN REG	
12	AG550515	2	BOLT 0.37-16NCX 1.25 G5 ZN HDD	
13	AG550825	6	NUT 0.37-16NC HEX ZN REG	
14	AG551007	4	WASHER FL 0.37 ZN REG TYPE-B	
15	AG561229	1	CLAMP 0.68-1.25 HOSE 12HS	
16	AG562123	2	NUT 0.37-16NC HEX SSC-LK	
17	AG600830	2	BAND ASM-AIR CLEANER 16 IN DIA B	
18	AG700081	1	INSERT 0.25SS PNEU CPLR 513822	[B]
	FOOTNOTE [A]		100 FT COIL	
	FOOTNOTE [B]		PLASTIC COMPRESSION FITTING FOR 1/4 INCH AIR LINE	
	FOOTNOTE [B]		NUT/CAP WITH THIS INSERT IS AG710190	
	FOOTNOTE [B]		AG513822 IS COMPLETE ASSY.MALE AND FEMALE-CHEAPER TO BUY ASSY.	

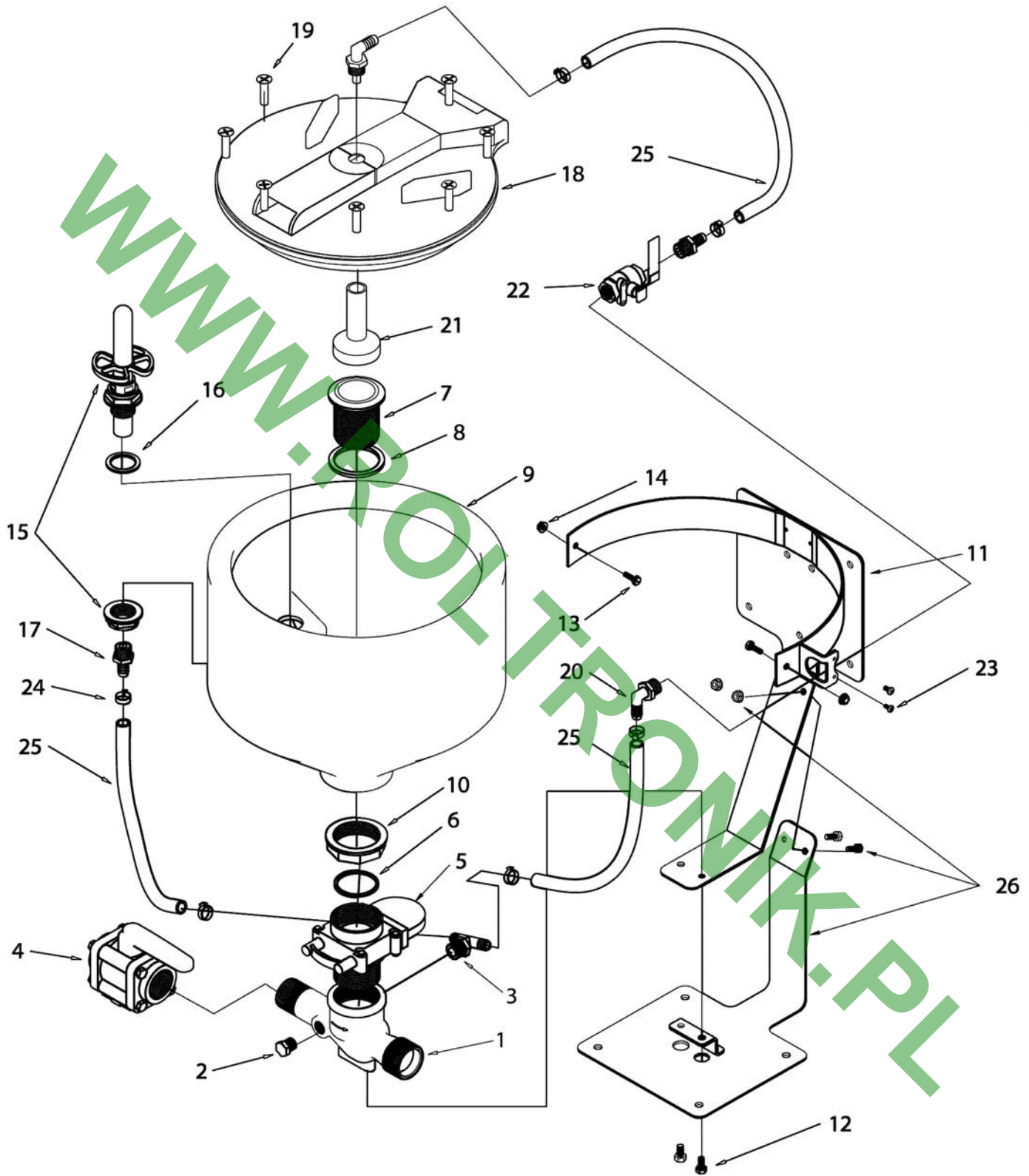


ITEM	PART #	QTY	DESCRIPTION	COMMENTS
1	AG000766	1	BARB-HOSE,1.50MNTTX1.50BARB,PP	
2	AG000772	6	GASKET 1.50 EPDM	
3	AG056283	2	COUPLING 2.00 MANIFOLD FLANGE	
4	AG056290	2	CONNECTOR 2.00FLGX1.25HOSE 90D	
5	AG056292	1	CONNECTOR 2.00FLGX1.50HOSE 90D	
6	AG056785	6	CLAMP 2.00 FLANGE	
7	AG057999	1	TEE-VENTURI,2.0FLG W/.75INDUCT	
9	AG230095	2	STRIP INSULATION LONG	
10	AG328960	1	EDUCTOR ASM-CHEMICAL,SS	SEE PAGE 12-34
11	AG424445	1	BRKT-MTG,EDUCTOR	
12	AG513393	-	HOSE 1.25 2BRD EPDM [BULK: 4.667 FT]	
13	AG522800	-	HOSE-1.50,DISCHARGE,NITRILE [BULK: 4.000 FT]	
14	AG523923	1	VALVE-2.0 FLG,T HANDLE,PP	SEE PAGE 2-6
15	AG524015	1	VALVE-2.0FLGX1.25NPT,T HANDLE	SEE PAGE 4-43
16	AG524024	1	VALVE-BALL,1.50NPT,T HANDLE	SEE PAGE 2-15
17	AG550256	8	BOLT.50-13NCX1.25 G5 ZN HHD	
18	AG550353	8	WASHER 0.50 FL ZN REG TYPE-B	
19	AG561231	8	CLAMP 1.06-2.00 HOSE 24HS	
20	AG601152	8	NUT 0.50-13NC HEX ZN REG NY	
21	AG710515	1	NIPPLE 1.50NPTX1.75CLS 304SS	

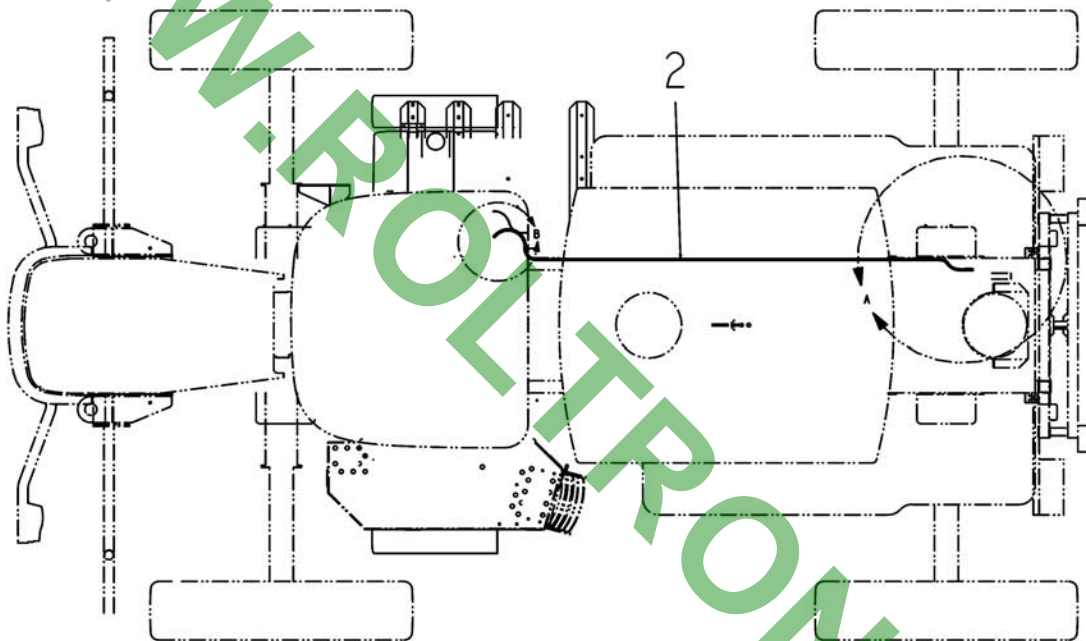


ITEM	PART #	QTY	DESCRIPTION	COMMENTS
1	AG131681	1	BRKT-MTG,VERT,2.00FP FLG	
2	AG131682	1	NIPPLE-WELD,2.00X3.00 LG	
3	AG131683	1	BRKT-MTG,HORZ,2.00FP FLG	
4	AG523526	2	ADPTR-2.0FLG,FPXNO THD,316SS	

WWW.ROLTRONIK.PL

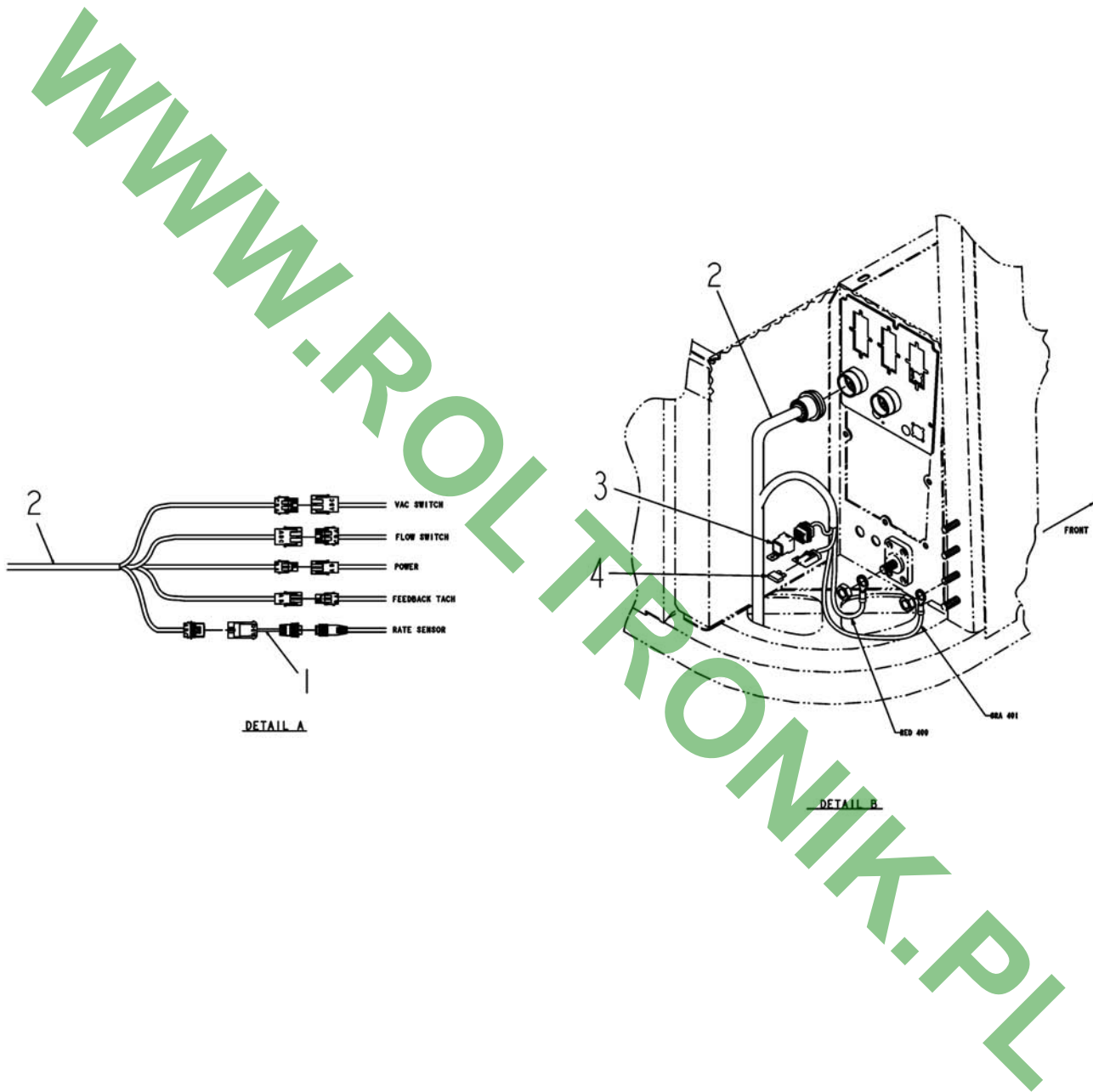


ITEM	PART #	QTY	DESCRIPTION	COMMENTS
1	AG727462	1	EDUCTOR/MACHINED	
2	AG610745	1	PLUG-HEX,.50NPT,PP (523671)	
3	AG727455	1	TEE/ 1/2 MALE X 1/2 HB	
4	AG727456	1	VALVE/BALL,BOLTED	
5	AG727457	1	VALVE/KNIFE	
6	AG000325	1	GASKET VITON	
7	AG610723	1	OUTLET-TANK,2.00 (523671)	
8	AG610722	1	WASHER-2.00,RUBBER (523671)	
9	AG727458	1	TANK/5.5 GAL	
10	AG610721	1	NUT-2.00,POLY (523671)	
11	AG727459	1	FRAME/BACK MOUNT	
12	AG562079	2	BOLT 0.31-18NCX 0.50 S.S. HHD	
13	AG562054	4	BOLT 0.25-20NCX 0.75 S.S. HHD	
14	AG515123	4	NUT 0.25-20NC HEX SS REG	
15	AG727460	1	RINSE/BOTTLE	
16	AG727461	1	GASKET	
17	AG610743	2	BARB-.50NPTX.50BARB R/B 562020	
18	AG727463	1	LID/TANK 12 IN	
20	AG716343	2	BARB-ELBOW,.50X.50FPT	
21	AG727464	1	RINSE/ASSY.TANK	
22	AG007784	1	610L VALVE S/S 0.50	[A]
23	AG561637	2	SCREW 10-32X0.37MAC RDHD SL ZN	
24	AG561227	6	CLAMP 0.44-0.78 HOSE 6HS	
25	AG709929	-	TUBING .50 VINYL REINFORCED [BULK: 0.001 FT]	
26	AG727465	1	BASE/KIT	
27	AG124575	1	KIT-LANCE,SUCT,EDUCT,CHEM,PE	
	FOOTNOTE [A]		REPLACED BY PART # AG059765	



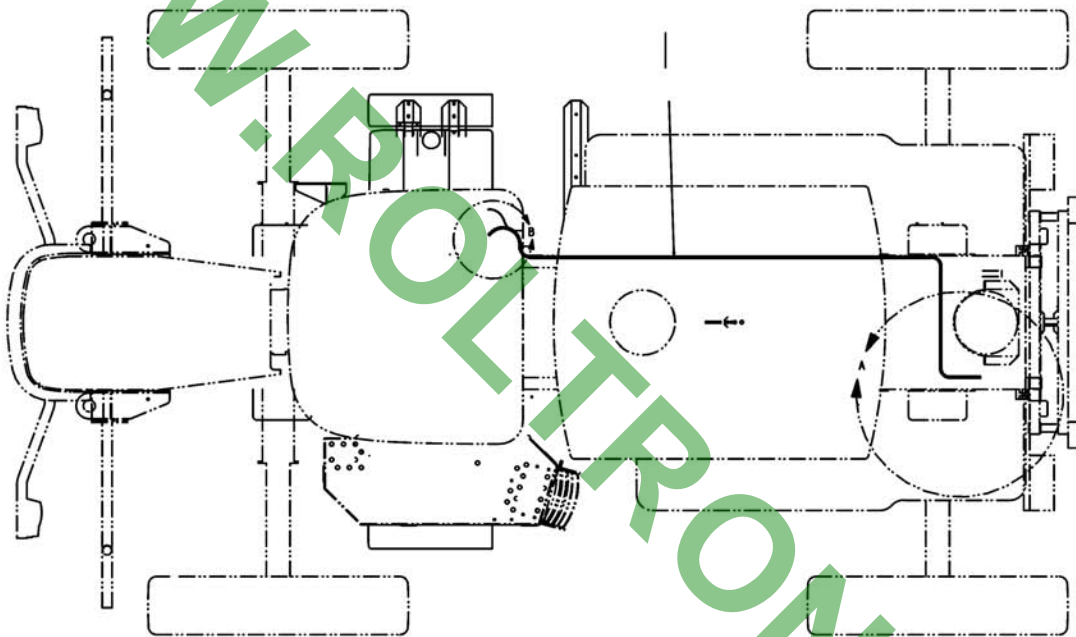
ITEM	PART #	QTY	DESCRIPTION	COMMENTS
1	AG324196	1	HARNES-ADAPT, FLOWMETER	
2	AG126096	1	HARNES-SDKCK (SYS),1264	
3	AG515756	-	RELAY,ELECTRICAL	[A]
4	AG562925	-	FUSE BLADE 30A ATC	
	FOOTNOTE [A]		SEE TECH BULLETIN 9823	

WWW.ROLTRONIK.PL



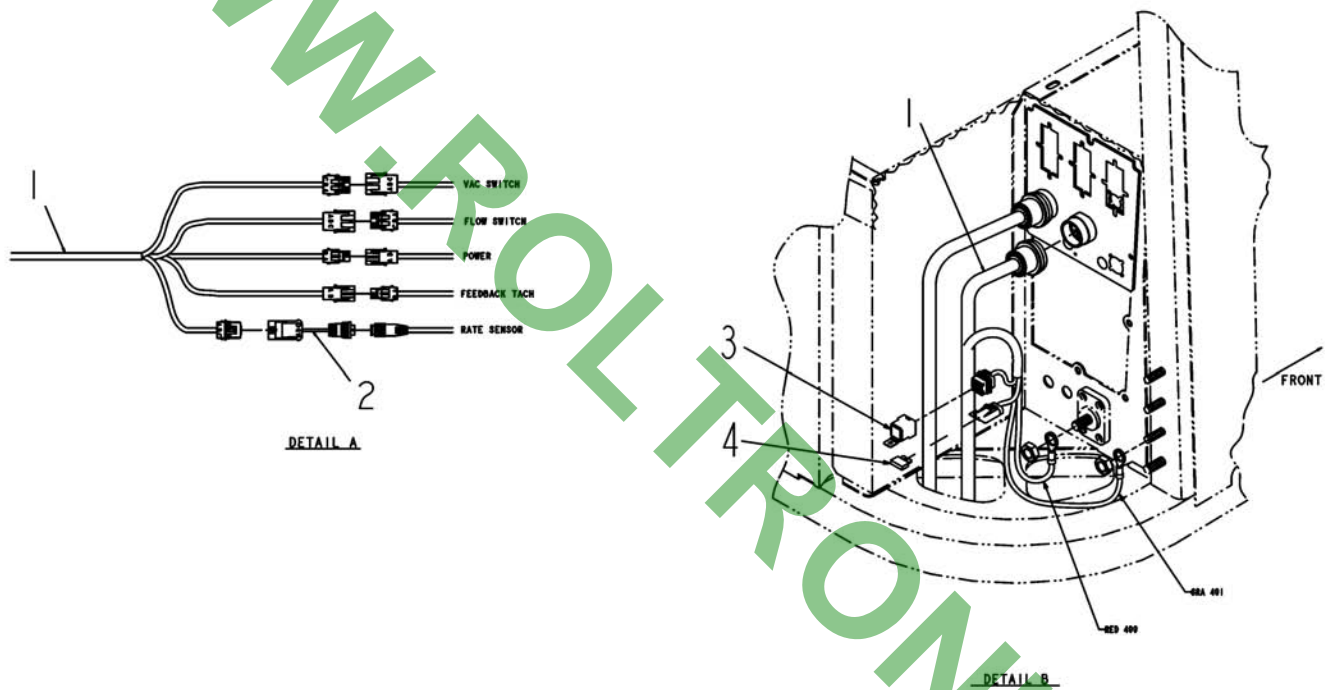
ITEM	PART #	QTY	DESCRIPTION	COMMENTS
1	AG324196	1	HARNESS-ADAPT, FLOWMETER	
2	AG126096	1	HARNESS-SDKCK (SYS), 1264	
3	AG515756	-	RELAY, ELECTRICAL	[A]
4	AG562925	-	FUSE BLADE 30A ATC	
	FOOTNOTE [A]		SEE TECH BULLETIN 9823	

WWW.ROLTRONIK.PL



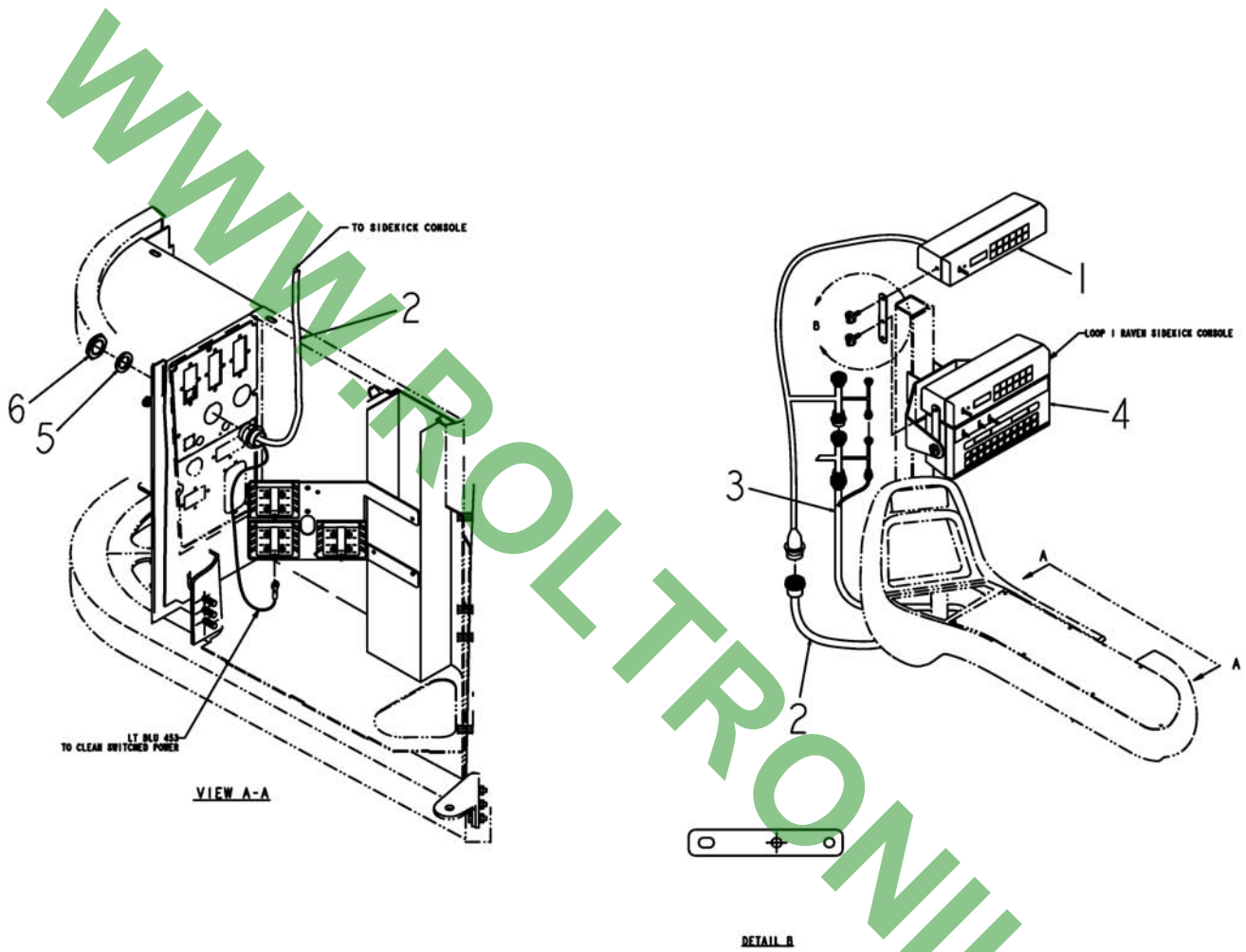
ITEM	PART #	QTY	DESCRIPTION	COMMENTS
1	AG126096	1	HARNES-SDKCK (SYS),1264	
2	AG324196	1	HARNES-ADAPT,FLOWMETER	
3	AG515756	-	RELAY,ELECTRICAL	[A]
4	AG562925	-	FUSE BLADE 30A ATC	
	FOOTNOTE [A]		SEE TECH BULLETIN 9823	

WWW.ROLTRONIK.PL



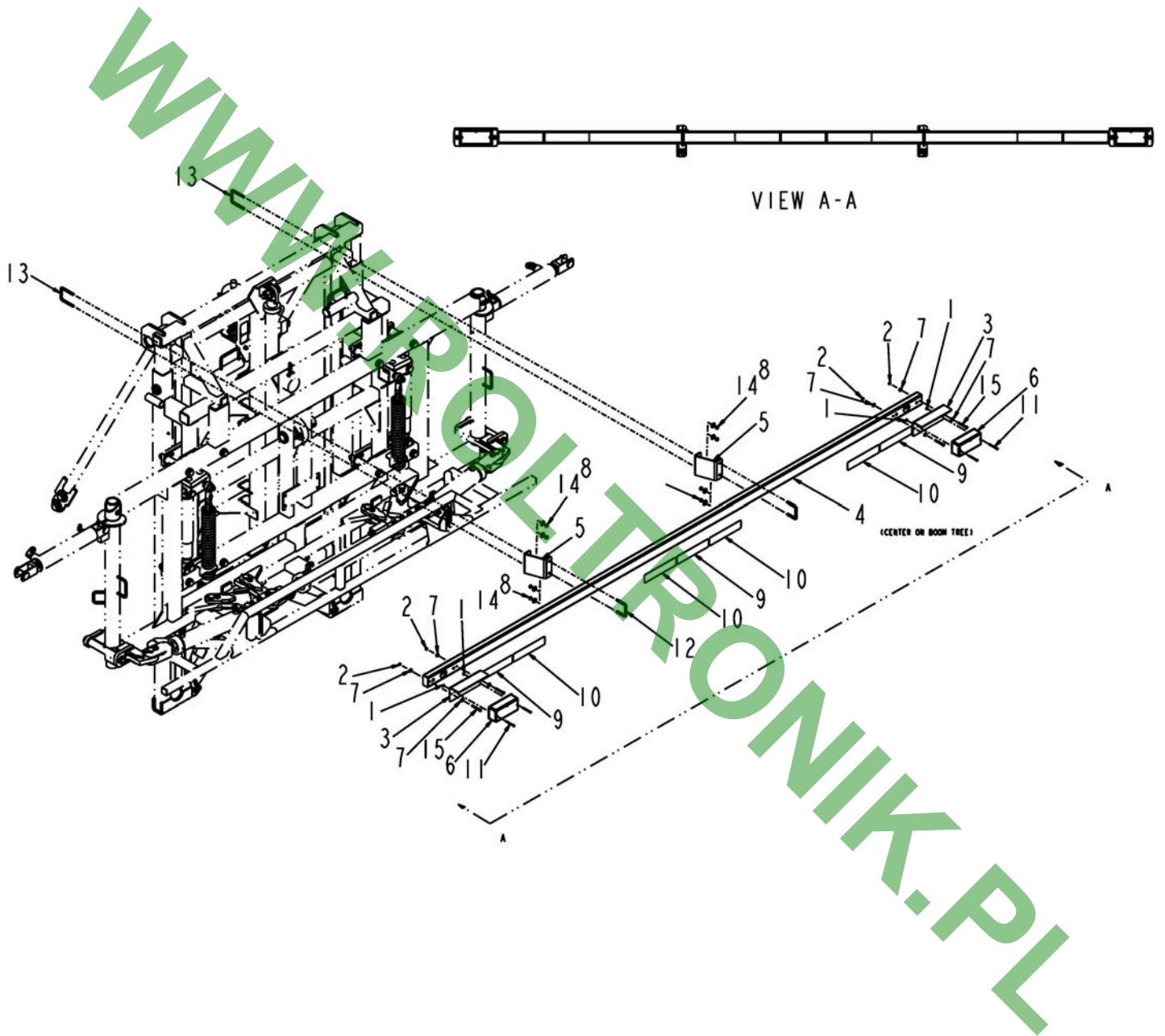
ITEM	PART #	QTY	DESCRIPTION	COMMENTS
1	AG126096	1	HARNES-SDKCK (SYS),1264	
2	AG324196	1	HARNES-ADAPT, FLOWMETER	
3	AG515756	-	RELAY,ELECTRICAL	[A]
4	AG562925	-	FUSE BLADE 30A ATC	
	FOOTNOTE [A]		SEE TECH BULLETIN 9823	

WWW.ROLTRONIK.PL



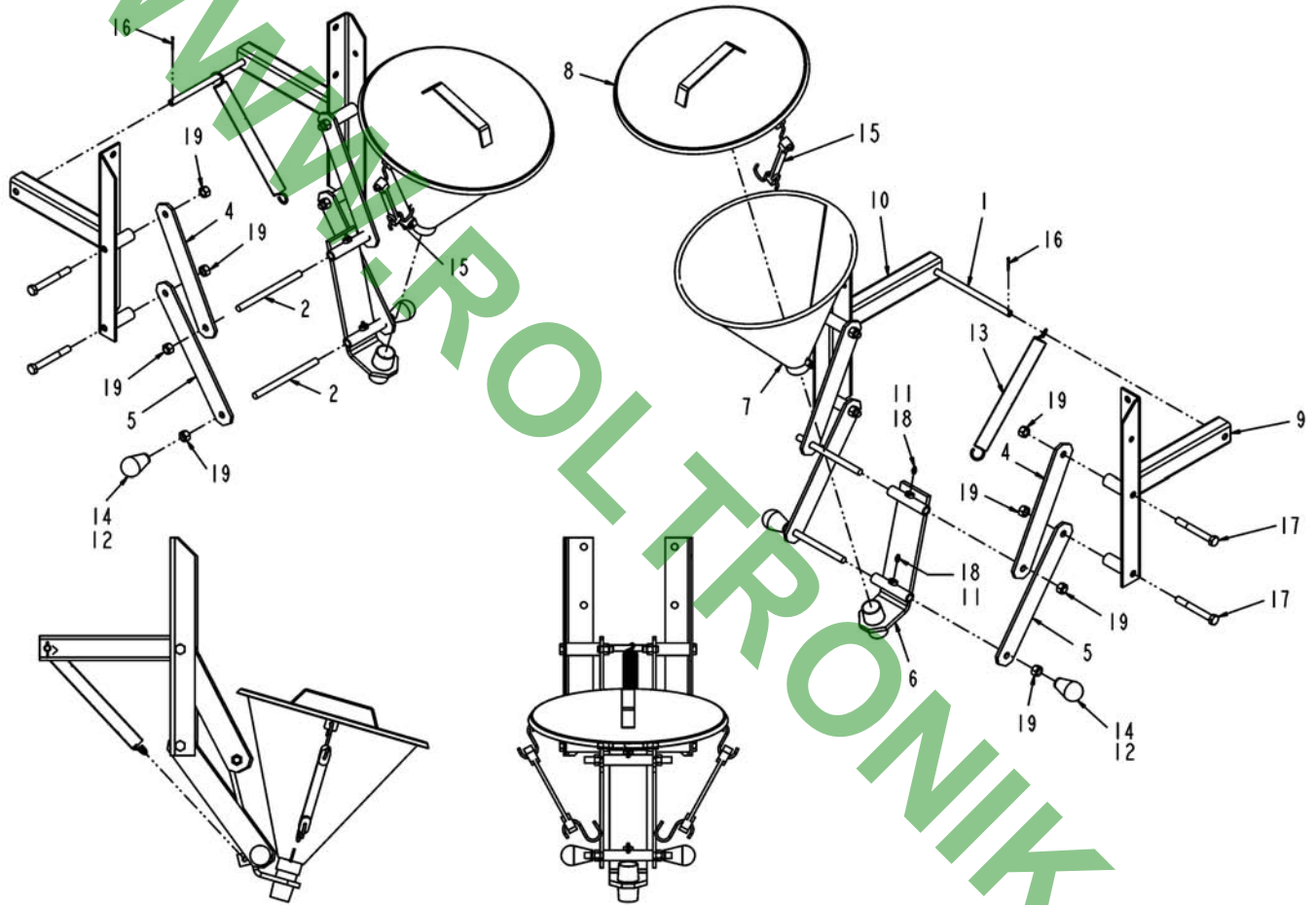
ITEM	PART #	QTY	DESCRIPTION	COMMENTS
1	AG524440	1	CONSOLE-SDKCK,RVN	
2	AG126092	1	HARNES-SDKCK (IN CAB)	
3	AG504298	-	HARNES-CONT,RVN 661	
4	AG523542	-	CONSOLE-CONT,RVN 661,10 BOOM	[A]
5	AG515698	1	WASHER LOCK ELEC CONNECTOR	
6	AG515697	1	NUT PANEL ELEC CONNECTOR	
	FOOTNOTE [A]		FOR REPLACEMENT KNOB USE AG709338	

WWW.ROLTRONIK.PL

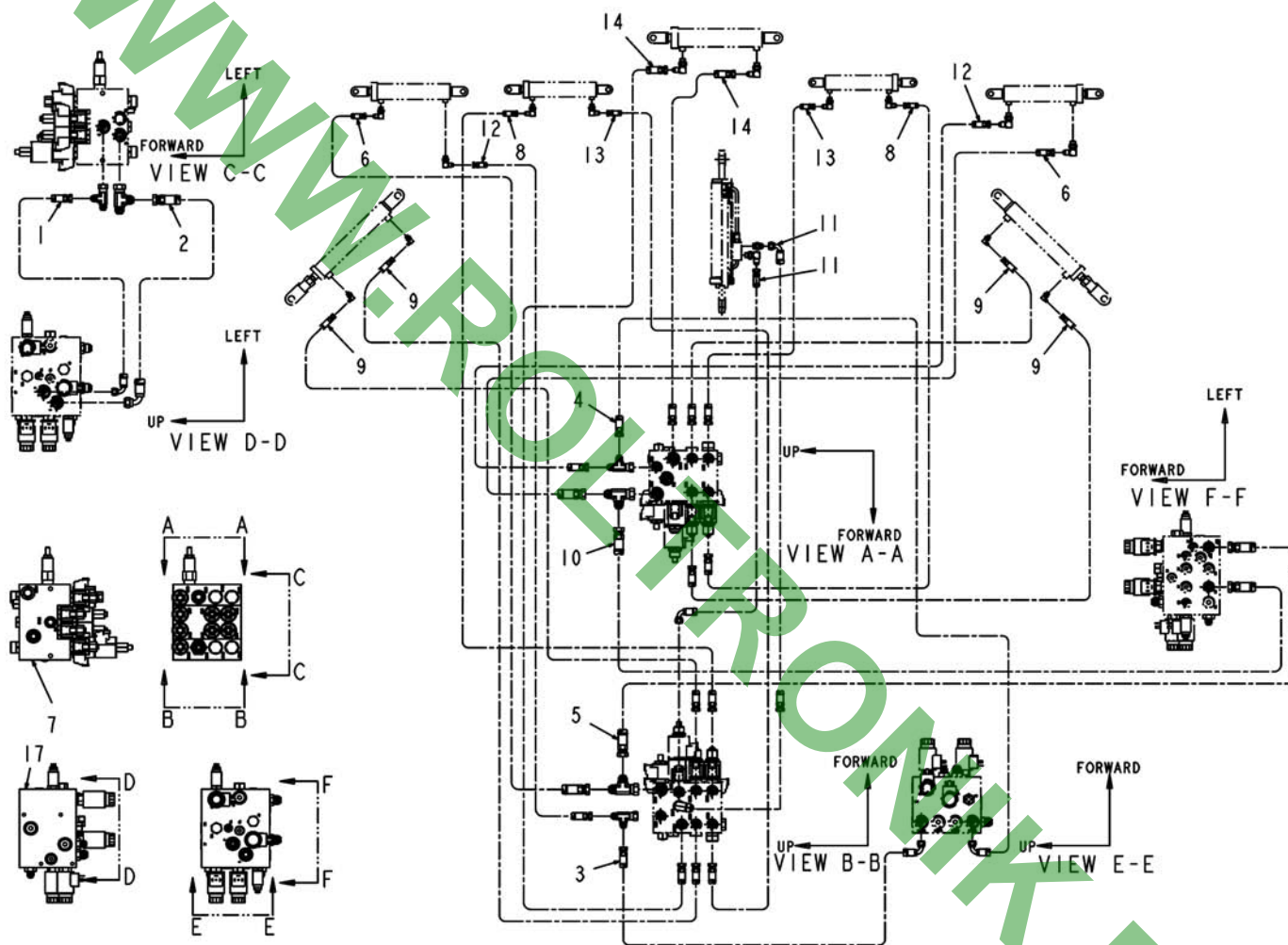


ITEM	PART #	QTY	DESCRIPTION	COMMENTS
1	AG027274	4	NUT 10-24NCSS LGT HX NY INS(P)	
2	AG027275	4	NUT,NY-LOCK 1/4-20 SS HX (P)	
3	AG122309	2	BRKT-MTG,LIGHT,AWFL	
4	AG122311	1	TUBE WLDMT-BAR,LIGHT	
5	AG262937	2	BRKT-MTG,LIGHTBAR,LH	
6	AG327247	2	LAMP-WARNING,AMBER	SEE PAGE 6-11
7	AG515121	8	WASHER 0.25 FL SS REG	
8	AG515140	8	NUT 0.37-16NC SS HVY HX NY INS	
9	AG523361	3	TAPE-REFLECTIVE,RED,DOT-C2	
10	AG523591	4	REFLECTOR-FLUOR RED/ORN2.0X9.0	
11	AG523814	4	SCR-10-24X2.25,PPH,SS	
12	AG523837	2	BOLT-U,.38-16X2.56X2.5,SQ,SS	
13	AG524292	2	BOLT-U,.38-16,2.56X3.50,SQ,SS	
14	AG562073	8	WASHER FL 0.37 SS REG	
15	AG562136	4	BOLT 0.25-20NCX 2.25 S.S. HDD	

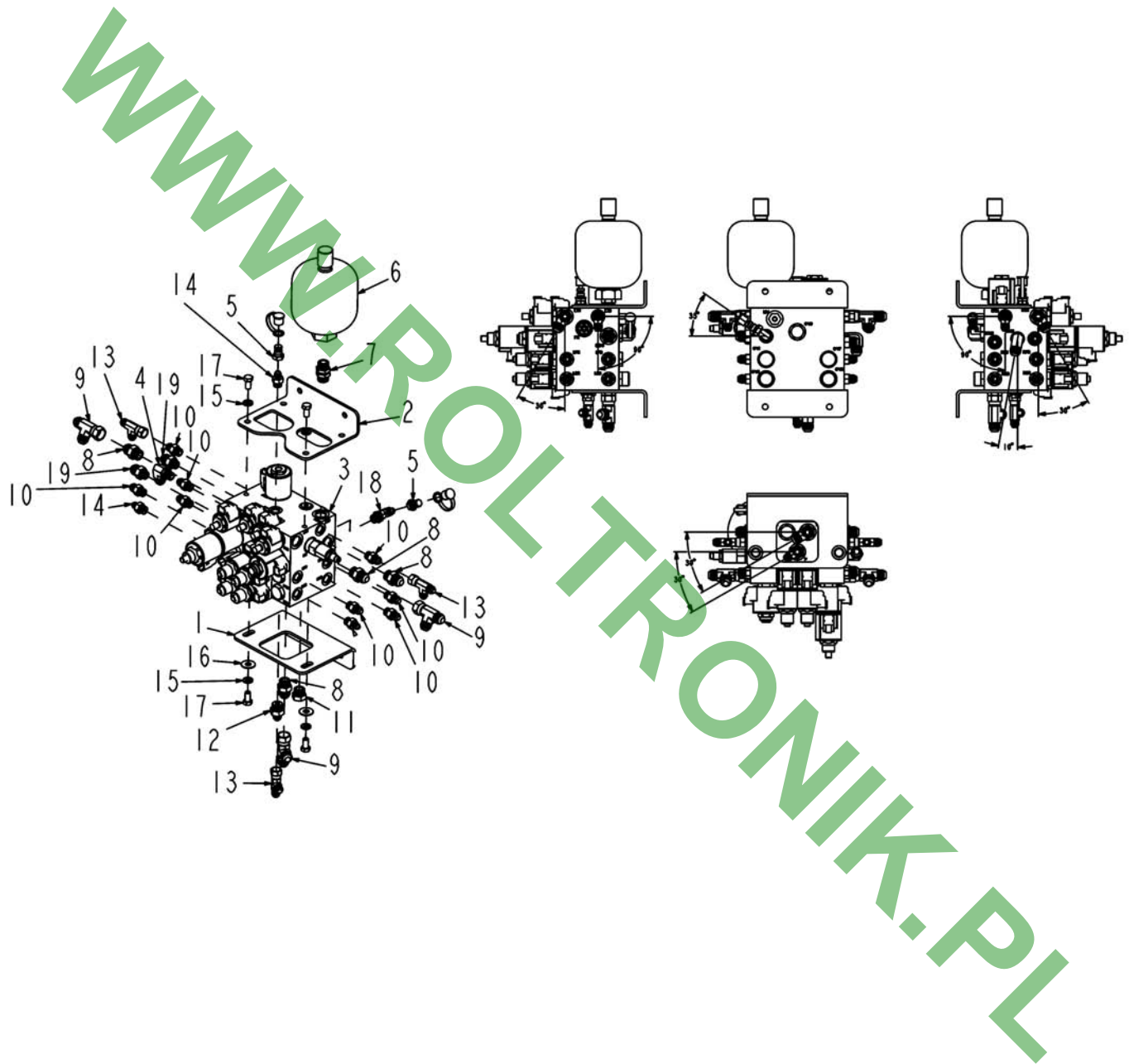
WWW.ROLTRONIK.PL



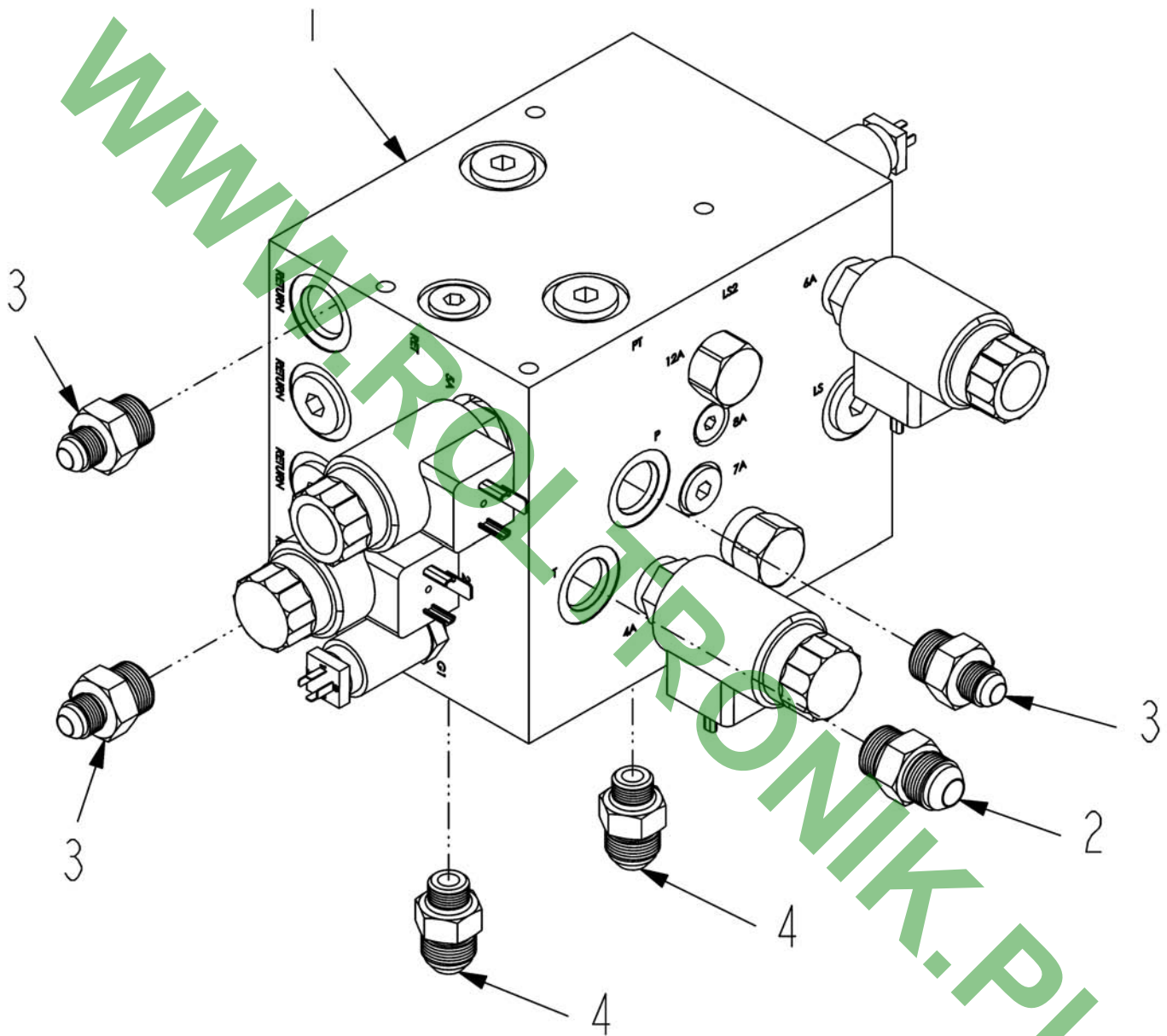
ITEM	PART #	QTY	DESCRIPTION	COMMENTS
1	AG108299	1	PIN MOUNT SPRING EDUCTOR	
2	AG108316	2	ROD, PIVOT INDUCTOR	
3	AG129187	AR	PIPE SEALANT-POLY SEAL	
4	228098D	2	PLATE,ARM UPPER	
5	228099D	2	PLATE,ARM LOWER	
6	228107D	1	PLATE WLDMT, MOUNT	
7	AG309261	1	FUNNEL WLDT EDUCTOR	
8	309263D	1	COVER WLDMT EDUCTOR	
9	309326D	1	MOUNT WLDMT EDUCTOR RH	
10	309327D	1	MOUNT WLDMT EDUCTOR LH	
11	AG511099	-	GREASE-MULTI PURPOSE LITH. [BULK: 0.001 LB]	
12	AG512885	AR	LOCTITE ADHESIVE SEALANT BLUE	
13	515995D	1	SPRING EXTENSION 1.12OD X12.00	
14	AG517536	2	KNOB, THREADED	
15	AG517994	2	STRAP 8 INCH TIE DOWN	
16	AG552321	2	PIN COTTER 0.09X1.00 ZN (D)	
17	AG552410	4	BOLT 0.50-13NCX 4.00 G5 ZN HHD	
18	AG561892	2	FITTING LUBE STR 0.25UNF	
19	AG601152	8	NUT 0.50-13NC HEX ZN REG NY	



ITEM	PART #	QTY	DESCRIPTION	COMMENTS
1	AG136326	-	HOSE ASM -6X25.00 FJS/FJS90	
2	AG136327	-	HOSE ASM -8X25.00 FJS/FJS90	
3	AG136328	-	HOSE ASM -6X39.00 FJS/FJS90	
4	AG136329	-	HOSE ASM -6X27.00 FJS/FJS90	
5	AG136330	-	HOSE ASM -8X39.00 FJS/FJS	
6	AG136331	-	HOSE ASM -6X132.00 8FJS/8FJS	
7	AG136965	-	BLOCK ASM-HYD,W/AUTOBOOM,BM	SEE PAGE 12-36
8	AG220023	-	HOSE ASM -4 158.00 R1AT	
9	AG262319	-	HOSE ASM -4X429.00 FJS/FJS	
10	AG235885	-	HOSE ASM -8X30.00 FJS/FJS	
11	AG239298	1	HOSE ASM -8X60 FJS/FJS90	
12	AG262365	-	HOSE ASM -6X126.00 FJS/FJS	
13	AG262366	-	HOSE ASM -4X168.00 FJS/FJS	
14	AG262367	-	HOSE ASM -8X200.00 FJS/FJS	
15	AG553557	AR	TIE CABLE 7.37 .06-1.37 BLACK	
16	506457D1	1	KIT-HOSE,W/AUTOBOOM,BM,120	SEE PAGE 12-40
17	506467D1	-	BLOCK ASM-HYD,AUTOBOOM,G2	SEE PAGE 12-37

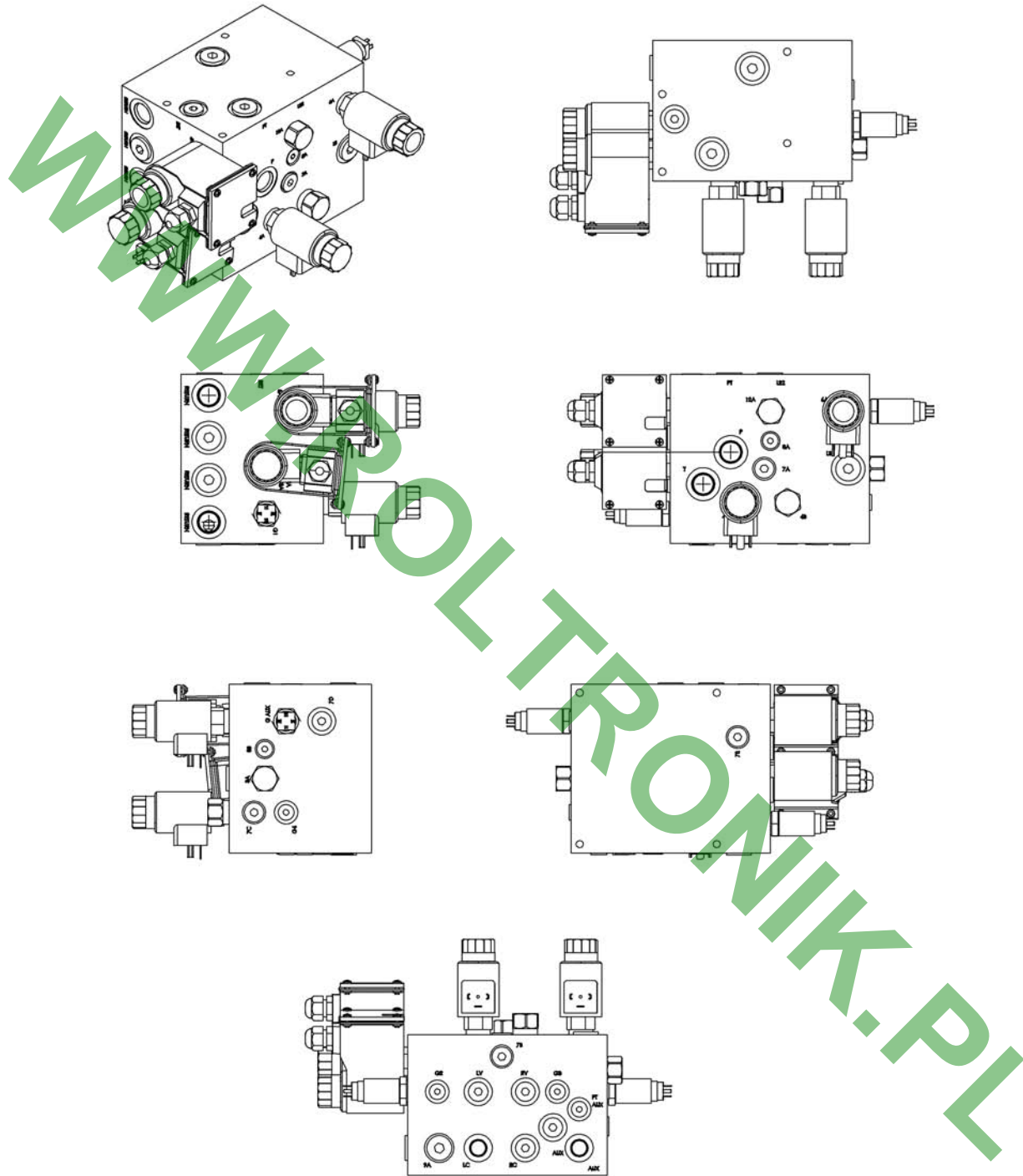


ITEM	PART #	QTY	DESCRIPTION	COMMENTS
1	AG327803	1	BRKT-MTG,LOWER,VALVE BLOCK	
2	AG327804	1	BRKT-MTG,UPPER,BLOCK,VALVE	
3	AG424252	1	VALVE-HYD,7 BANK,W/BREAKAWAY	SEE PAGE 5-39
4	AG514800	1	ELBOW-90D,-6MORX-8 MJIC	[A]
5	AG519113	2	TUBE END NIPPLE -4	
6	AG523544	1	ACCUM-HYD,DIAPH,45CU IN(MV)	
7	AG524378	1	ADPTR-STR,.50MO-R X .50MO-R	SEE PAGE 5-40
8	AG551139	4	ADAP STR 0.50MO-R X 0.50 MJIC	[B]
9	AG560278	3	TEE 0.50JIC SWIVELX0.50 JIC(2)	
10	AG560693	8	ADAP STR 0.37MO-R X 0.37MJIC	SEE PAGE 5-36
11	AG560899	1	PLUG 0.50MO-R HEX	
12	AG561308	1	ADAP STR 0.50MO-R X 0.37MJIC	[C]
13	AG561391	3	TEE 0.37FJIC SW X 0.37MJIC(2)	
14	AG561744	3	ADAP STR 0.37MO-R X 0.25MJIC	[D]
15	AG562050	4	WASHER LK 0.37 SS REG	
16	AG562073	2	WASHER FL 0.37 SS REG	
17	AG562120	4	BOLT 0.37-16NCX 0.75 S.S. HHD	
18	AG562354	1	ELBOW 90D 0.37MO-R X 0.25MJIC	[E]
19	AG562372	2	ADAP STR 0.37MO-R X 0.50MJIC	
	FOOTNOTE [A]		AG713166 - ORING	
	FOOTNOTE [B]		AG713670-O-RING	
	FOOTNOTE [C]		AG713670 O-RING, USED FOR THE ADAPTION OF AG515950 TO A AG523053	
	FOOTNOTE [D]		AG713166 O-RING	
	FOOTNOTE [E]		AG713166 O-RING	

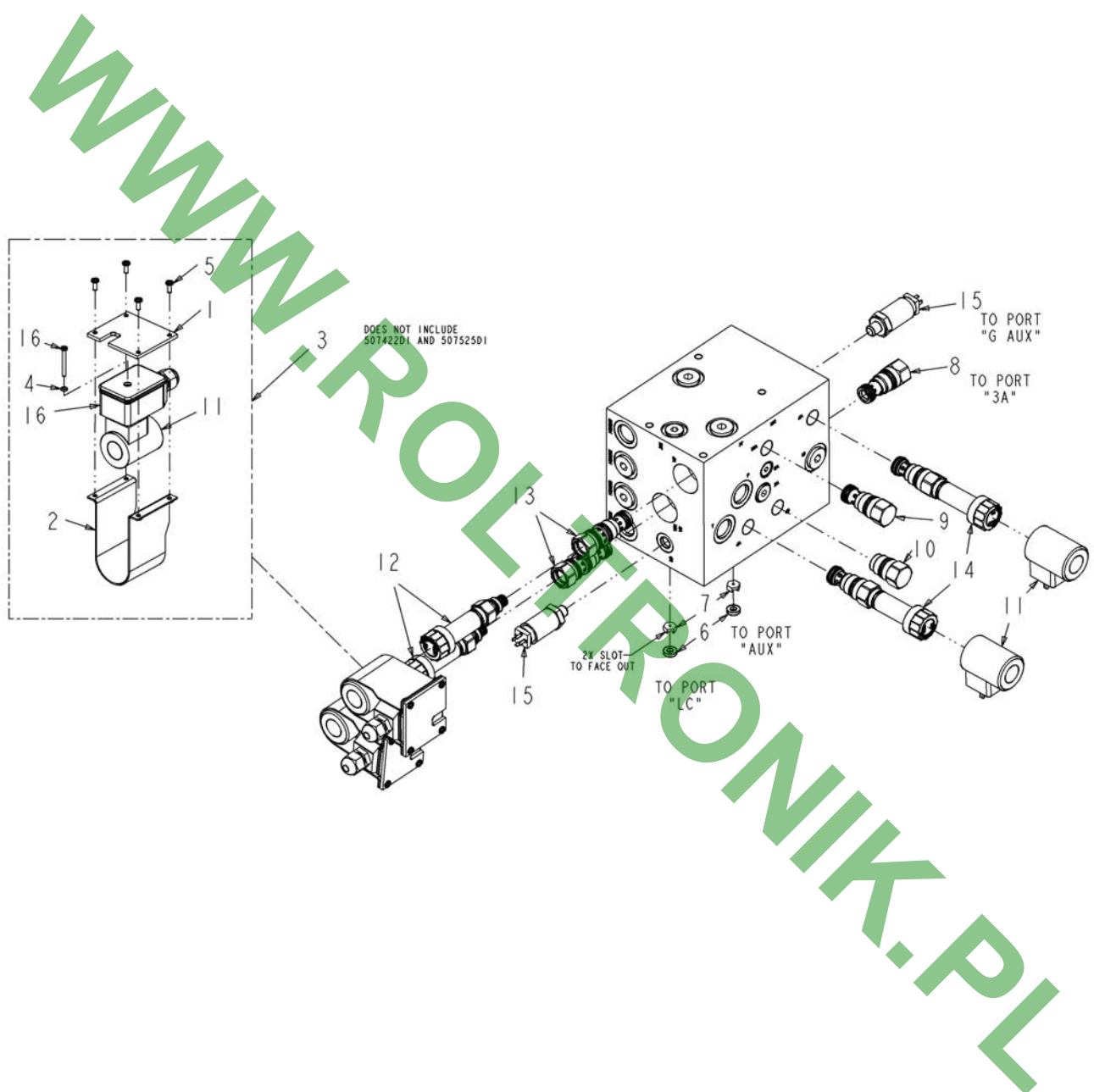


ITEM	PART #	QTY	DESCRIPTION	COMMENTS
1	AG136740	1	BLOCK-VALVE,HYD,AUTOBOOM,G2	SEE PAGE 12-38
2	AG551139	1	ADAP STR 0.50MO-R X 0.50 MJIC	[A]
3	AG561308	3	ADAP STR 0.50MO-R X 0.37MJIC	[B]
4	AG562372	2	ADAP STR 0.37MO-R X 0.50MJIC	
	FOOTNOTE [A]		AG713670-O-RING	
	FOOTNOTE [B]		AG713670 O-RING, USED FOR THE ADAPTION OF AG515950 TO A AG523053	

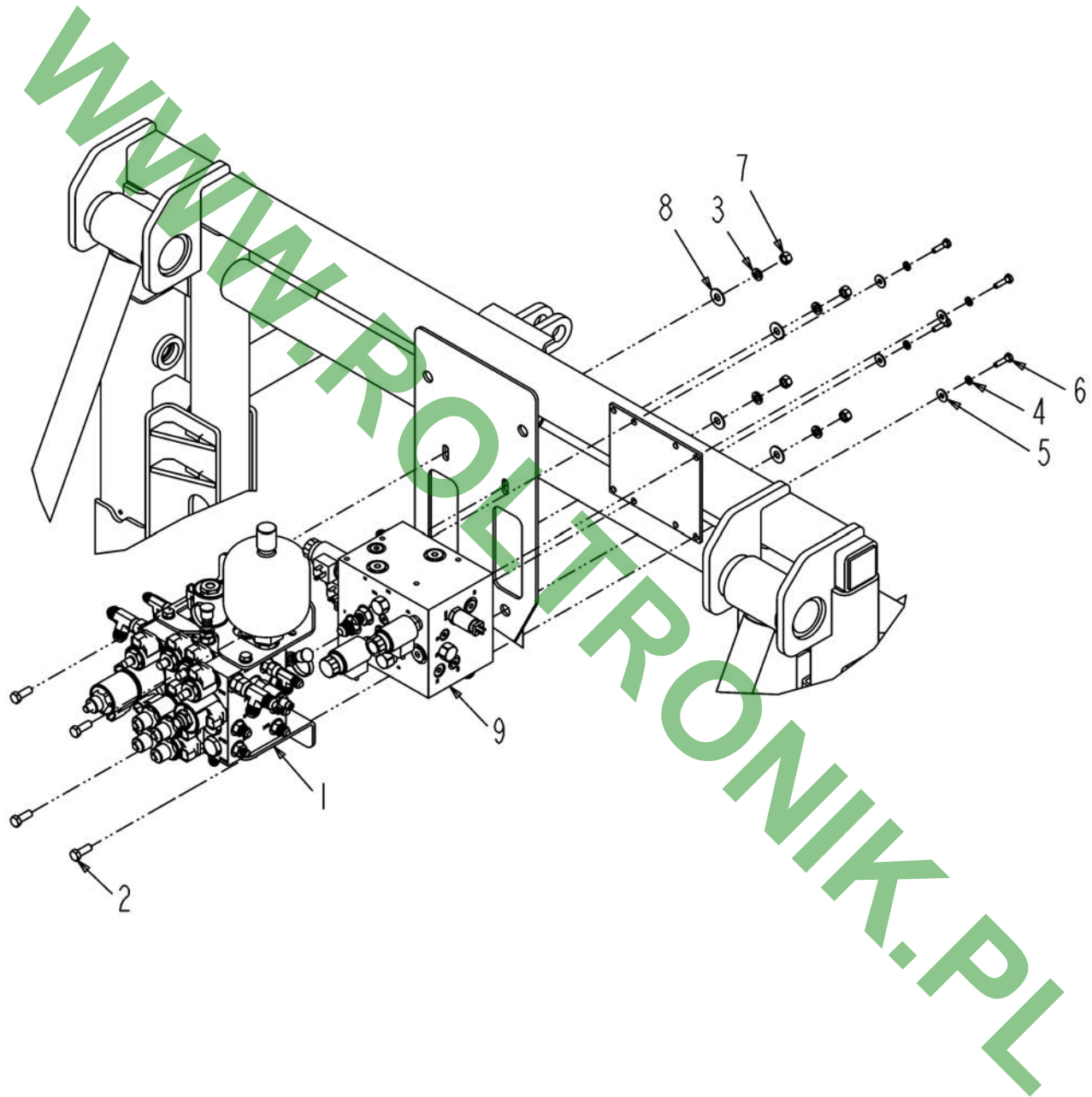
WWW.ROLTRONIK.PL



ITEM	PART #	QTY	DESCRIPTION	COMMENTS
REF	AG330211	1	COIL	
1	507412D1	-	PLATE-UPPER,U BRACKET	
2	507413D1	-	BRKT-U,PWM CTRL VLV	
3	507414D1	-	KIT-SEAL,PWM DRIVER	
4	507415D1	-	O-RING	
5	507416D1	-	SCREW 6-32 X .38	
6	507417D1	-	SHIM-ORFICE,.50ODX.25IDX.25	
7	507418D1	-	ORIFICE-HYD,.060ID,HEX,FLOAT	
8	507419D1	-	VALVE-CHECK,CNDC-XAN,SUN	
9	507420D1	-	VALVE-CHECK,CXCD-XAN,SUN	
10	507421D1	-	PLUG-CAVITY,OPEN,XFOA-XXN,SUN	
11	507422D1	-	COIL-12V,HYD,PRES CTRL VLV	
12	507423D1	-	VLV-PILOT RELIEF,PROP HYD FLOW	
13	507424D1	1	ELEMENT-MOD,3 WAY,RED/REL	
14	507425D1	-	VLV-CARTRIDGE,DTDA-MCN,SUN	
15	507426D1	-	XDCR-PRESS,P51-300S-1-MD-20MA	
16	507525D1	-	DRIVER ASM-PROPORTIONAL	
	FOOTNOTE:		LH / RH PROPORTIONAL DRIVER WIRING CONNECTOR IS AG521022	
	FOOTNOTE:		LH / RH PROPORTIONAL DRIVER WIRING LOCK IS AG521024	

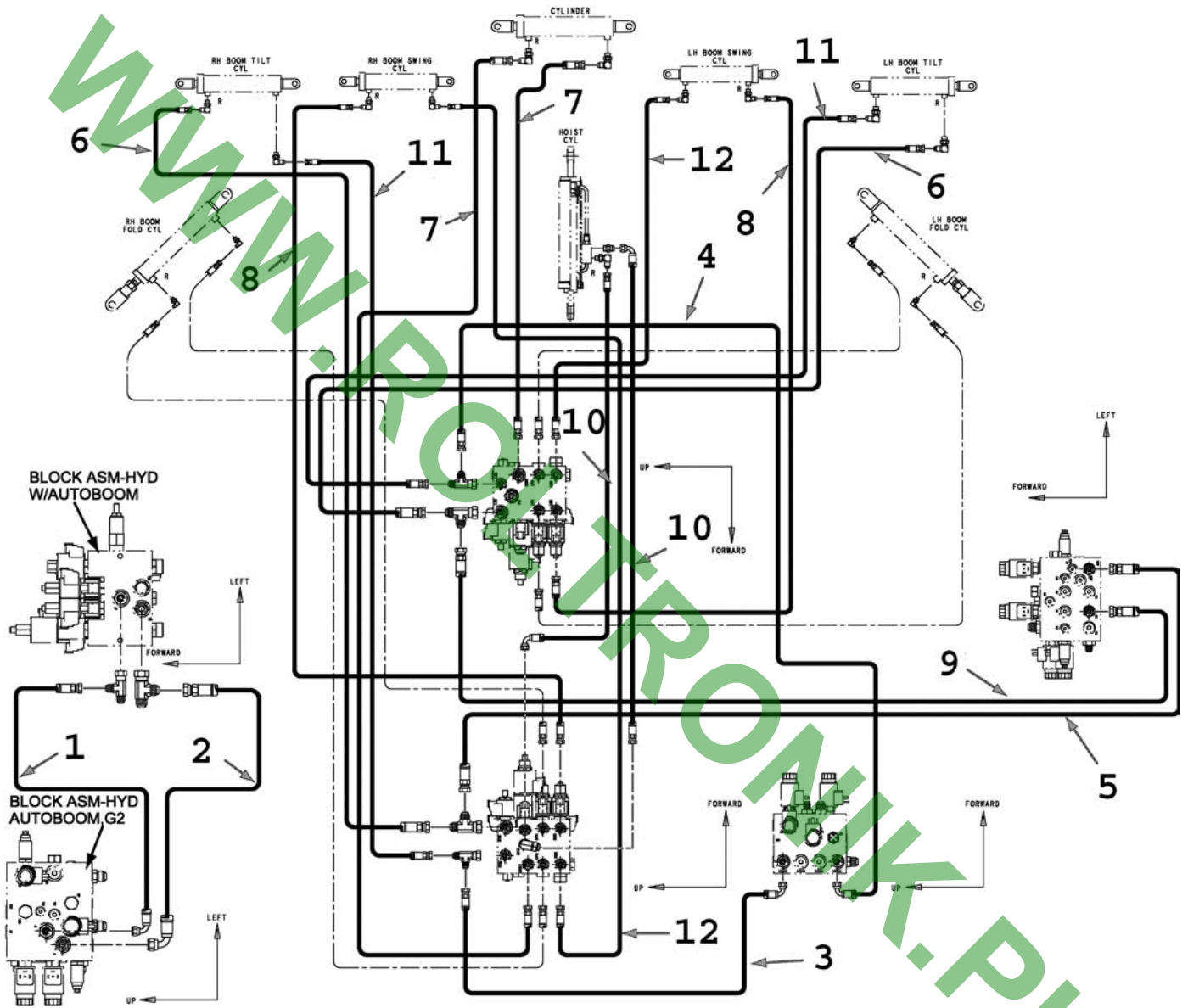


ITEM	PART #	QTY	DESCRIPTION	COMMENTS
REF	AG330211	1	COIL	
1	507412D1	-	PLATE-UPPER,U BRACKET	
2	507413D1	-	BRKT-U,PWM CTRL VLV	
3	507414D1	-	KIT-SEAL,PWM DRIVER	
4	507415D1	-	O-RING	
5	507416D1	-	SCREW 6-32 X .38	
6	507417D1	-	SHIM-ORFICE,.50ODX.25IDX.25	
7	507418D1	-	ORIFICE-HYD,.060ID,HEX,FLOAT	
8	507419D1	-	VALVE-CHECK,CNDC-XAN,SUN	
9	507420D1	-	VALVE-CHECK,CXCD-XAN,SUN	
10	507421D1	-	PLUG-CAVITY,OPEN,XFOA-XXN,SUN	
11	507422D1	-	COIL-12V,HYD,PRES CTRL VLV	
12	507423D1	-	VLV-PILOT RELIEF,PROP HYD FLOW	
13	507424D1	1	ELEMENT-MOD,3 WAY,RED/REL	
14	507425D1	-	VLV-CARTRIDGE,DTDA-MCN,SUN	
15	507426D1	-	XDCR-PRESS,P51-300S-1-MD-20MA	
16	507525D1	-	DRIVER ASM-PROPORTIONAL	
	FOOTNOTE:		LH / RH PROPORTIONAL DRIVER WIRING CONNECTOR IS AG521022	
	FOOTNOTE:		LH / RH PROPORTIONAL DRIVER WIRING LOCK IS AG521024	



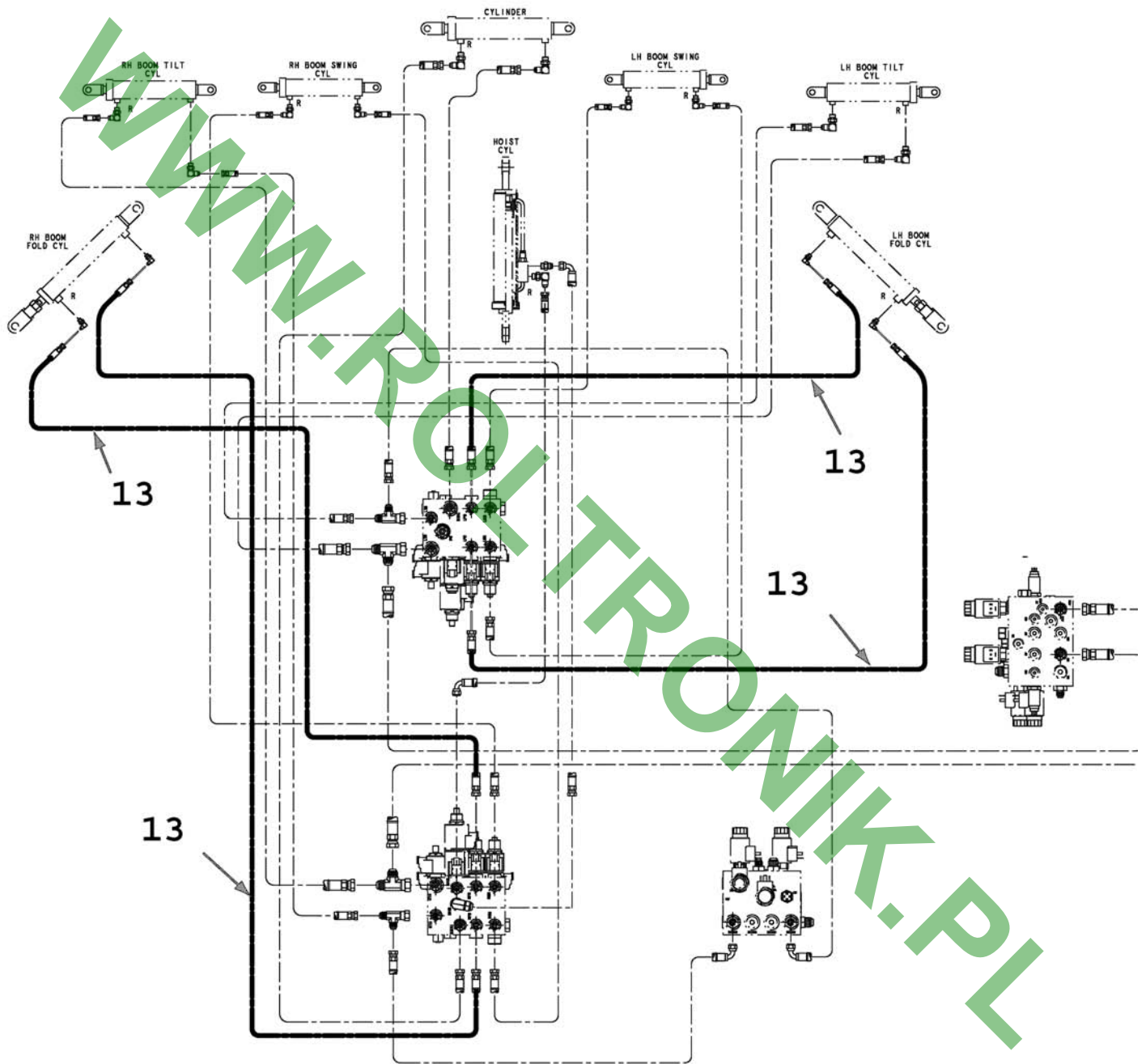
ITEM	PART #	QTY	DESCRIPTION	COMMENTS
1	AG136965	1	BLOCK ASM-HYD,W/AUTOBOOM,BM	SEE PAGE 12-36
2	AG550175	4	BOLT 0.37-16NCX 1.00 G5 ZN HHD	
3	AG550191	4	WASHER LK 0.37 ZN REG	
4	AG550493	4	WASHER LK 0.25 ZN REG	
5	AG550507	4	WASHER FL 0.25 ZN REG TYPE-B	
6	AG550698	4	BOLT 0.25-20NCX 1.00 G5 ZN HHD	
7	AG550825	4	NUT 0.37-16NC HEX ZN REG	
8	AG551007	4	WASHER FL 0.37 ZN REG TYPE-B	
9	506467D1	1	BLOCK ASM-HYD,AUTOBOOM,G2	SEE PAGE 12-37

WWW.ROLTRONIK.PL



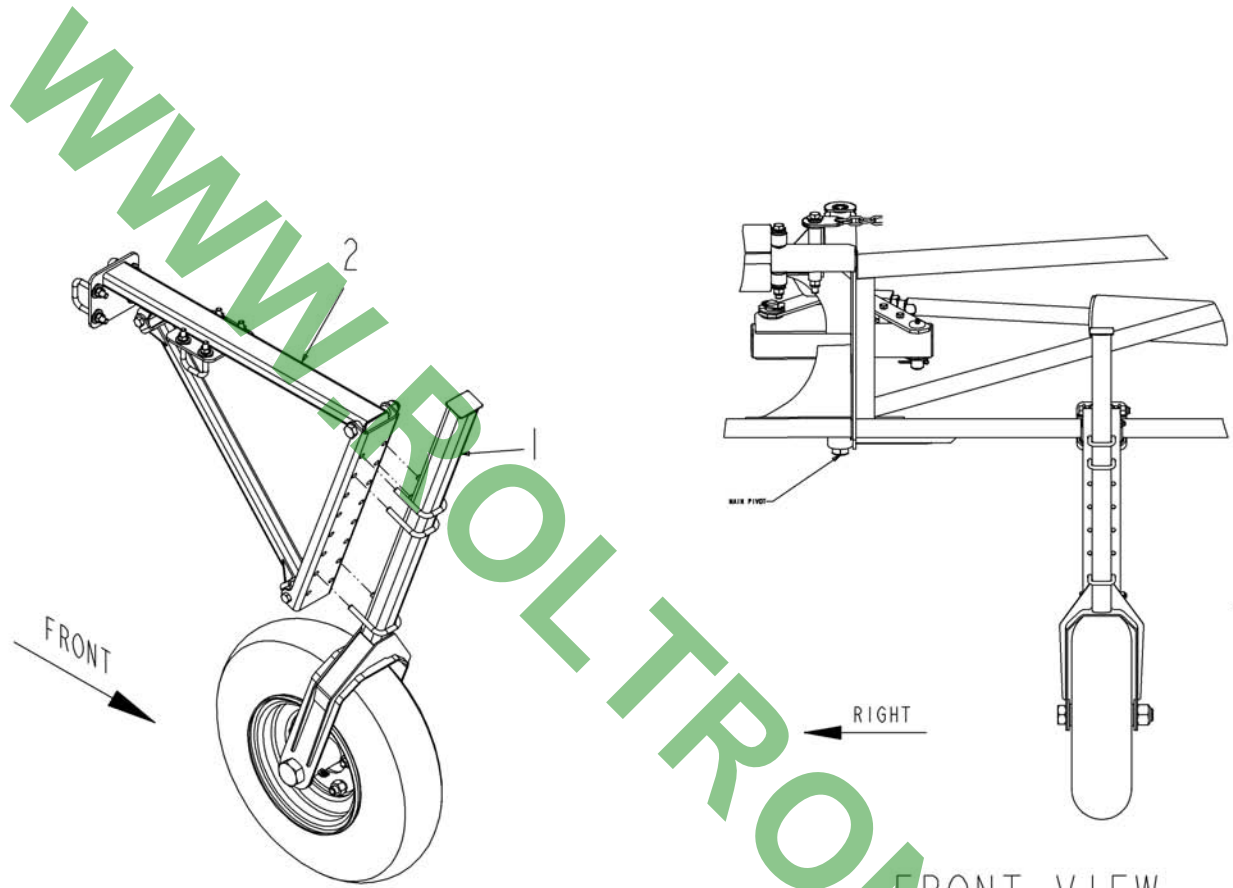
ITEM	PART #	QTY	DESCRIPTION	COMMENTS
1	AG136326	1	HOSE ASM -6X25.00 FJS/FJS90	
2	AG136327	1	HOSE ASM -8X25.00 FJS/FJS90	
3	AG136328	1	HOSE ASM -6X39.00 FJS/FJS90	
4	AG136329	1	HOSE ASM -6X27.00 FJS/FJS90	
5	AG136330	1	HOSE ASM -8X39.00 FJS/FJS	
6	AG136331	2	HOSE ASM -6X132.00 8FJS/8FJS	
7	AG220023	2	HOSE ASM -4 158.00 R1AT	
8	AG262319	4	HOSE ASM -4X429.00 FJS/FJS	
9	AG235885	1	HOSE ASM -8X30.00 FJS/FJS	
10	AG239298	2	HOSE ASM -8X60 FJS/FJS90	
11	AG262365	2	HOSE ASM -6X126.00 FJS/FJS	
12	AG262366	2	HOSE ASM -4X168.00 FJS/FJS	
13	AG262367	2	HOSE ASM -8X200.00 FJS/FJS	

WWW.ROLTRONIK.PL



ITEM	PART #	QTY	DESCRIPTION	COMMENTS
1	AG136326	1	HOSE ASM -6X25.00 FJS/FJS90	
2	AG136327	1	HOSE ASM -8X25.00 FJS/FJS90	
3	AG136328	1	HOSE ASM -6X39.00 FJS/FJS90	
4	AG136329	1	HOSE ASM -6X27.00 FJS/FJS90	
5	AG136330	1	HOSE ASM -8X39.00 FJS/FJS	
6	AG136331	2	HOSE ASM -6X132.00 8FJS/8FJS	
7	AG220023	2	HOSE ASM -4 158.00 R1AT	
8	AG262319	4	HOSE ASM -4X429.00 FJS/FJS	
9	AG235885	1	HOSE ASM -8X30.00 FJS/FJS	
10	AG239298	2	HOSE ASM -8X60 FJS/FJS90	
11	AG262365	2	HOSE ASM -6X126.00 FJS/FJS	
12	AG262366	2	HOSE ASM -4X168.00 FJS/FJS	
13	AG262367	2	HOSE ASM -8X200.00 FJS/FJS	

WWW.ROLTRONIK.PL

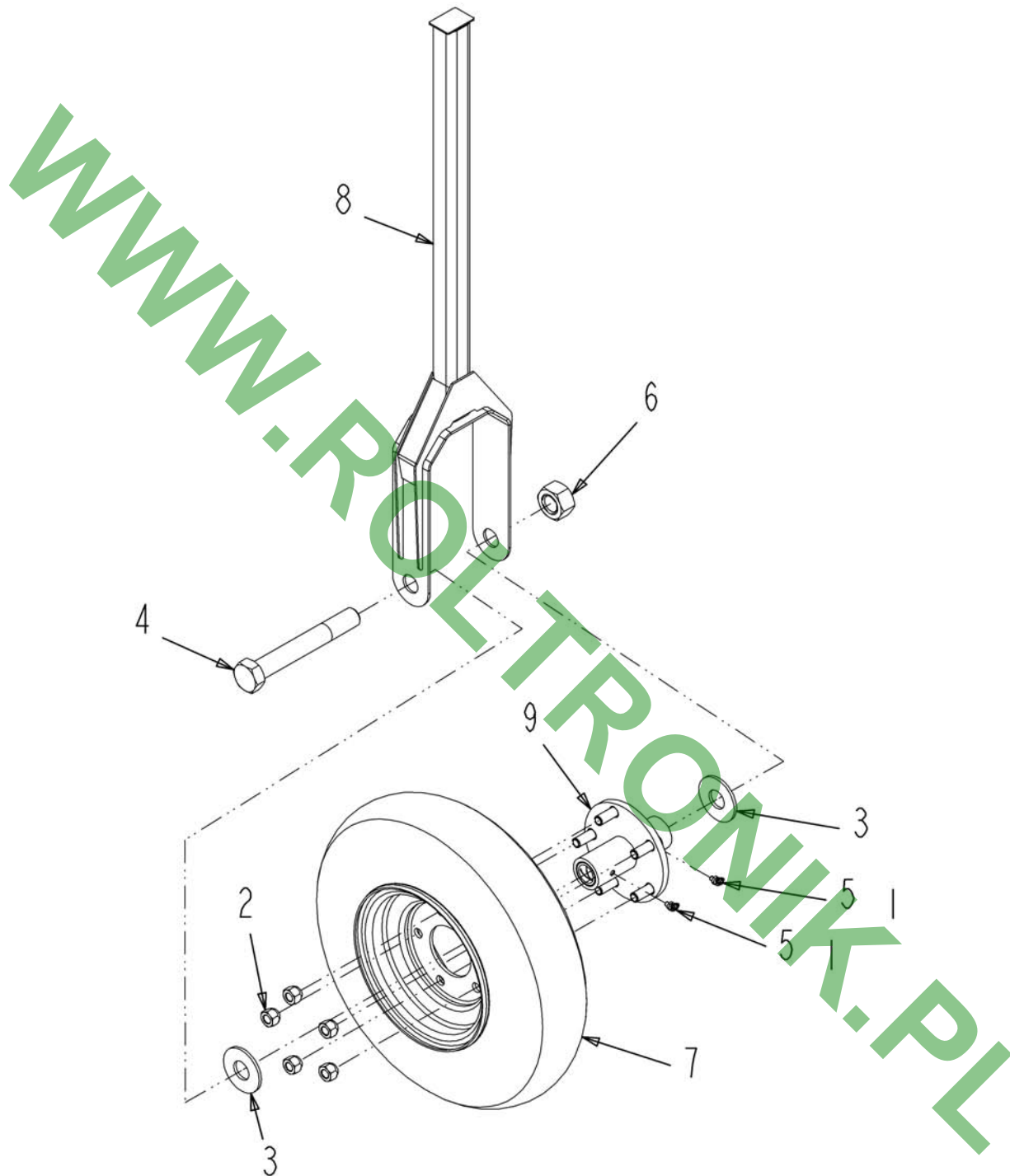


ISO EXPLODE VIEW
RH SIDE SHOWN
LH SIDE SIMILAR

FRONT VIEW
RH SIDE SHOWN
LH SIDE SIMILAR

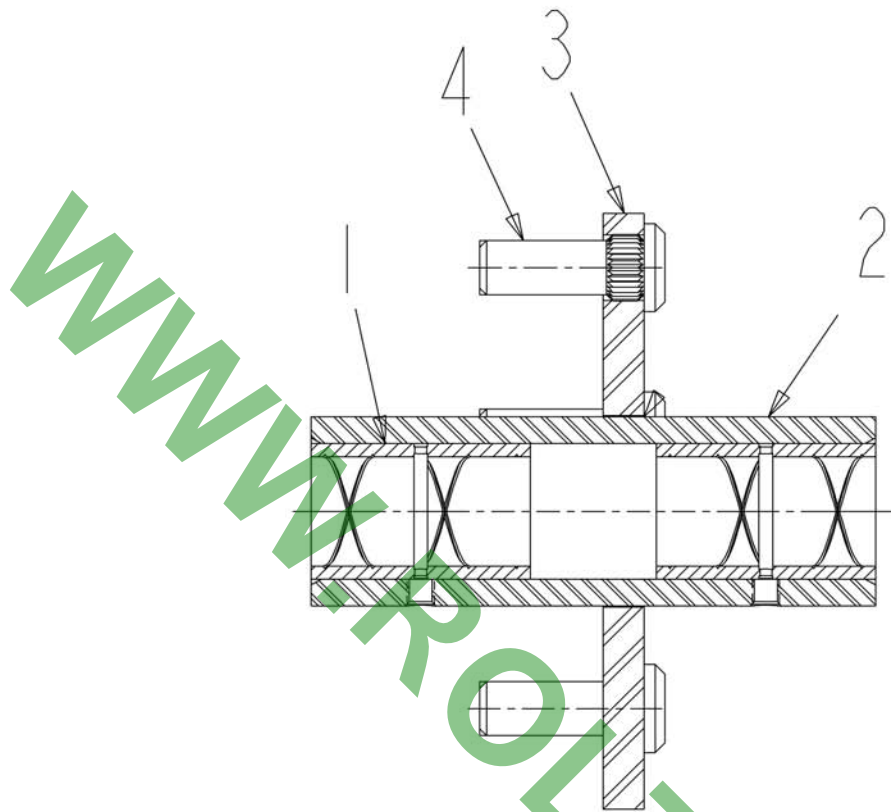
ITEM	PART #	QTY	DESCRIPTION	COMMENTS
1	506910D1	2	FORK ASM-WHEEL,AUTOBOOM	SEE PAGE 12-42
2	506911D1	2	ARM ASM-WHEEL,AUTOBOOM,120	SEE PAGE 12-50

WWW.ROLTRONIK.PL

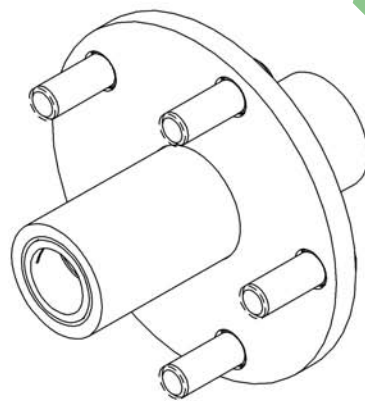


ITEM	PART #	QTY	DESCRIPTION	COMMENTS
1	AG511099	-	GREASE-MULTI PURPOSE LITH. [BULK: 0.001 LB]	
2	AG514567	5	NUT WHEEL BOLT .50-20NFX.62X60	
3	AG552232	2	WASHER 1.0FL ZN REG TYPE-B (D)	
4	AG561667	1	BOLT 1.00- 8NCX 7.00 G5 ZN HHD	
5	AG562467	2	ZERK GREASE 45D 1/4-28 NF	
6	AG604185	1	NUT 1.00-08NC HEX HVY ZN NY IN	
7	506912D1	1	WHEEL ASM-AUTOBOOM	
8	506914D1	1	FORK WLDMT-WHEEL,AUTOBOOM	
9	506921D1	1	HUB WLDMT-WHEEL,AUTOBOOM	SEE PAGE 12-43

WWW.ROLTRONIK.PL

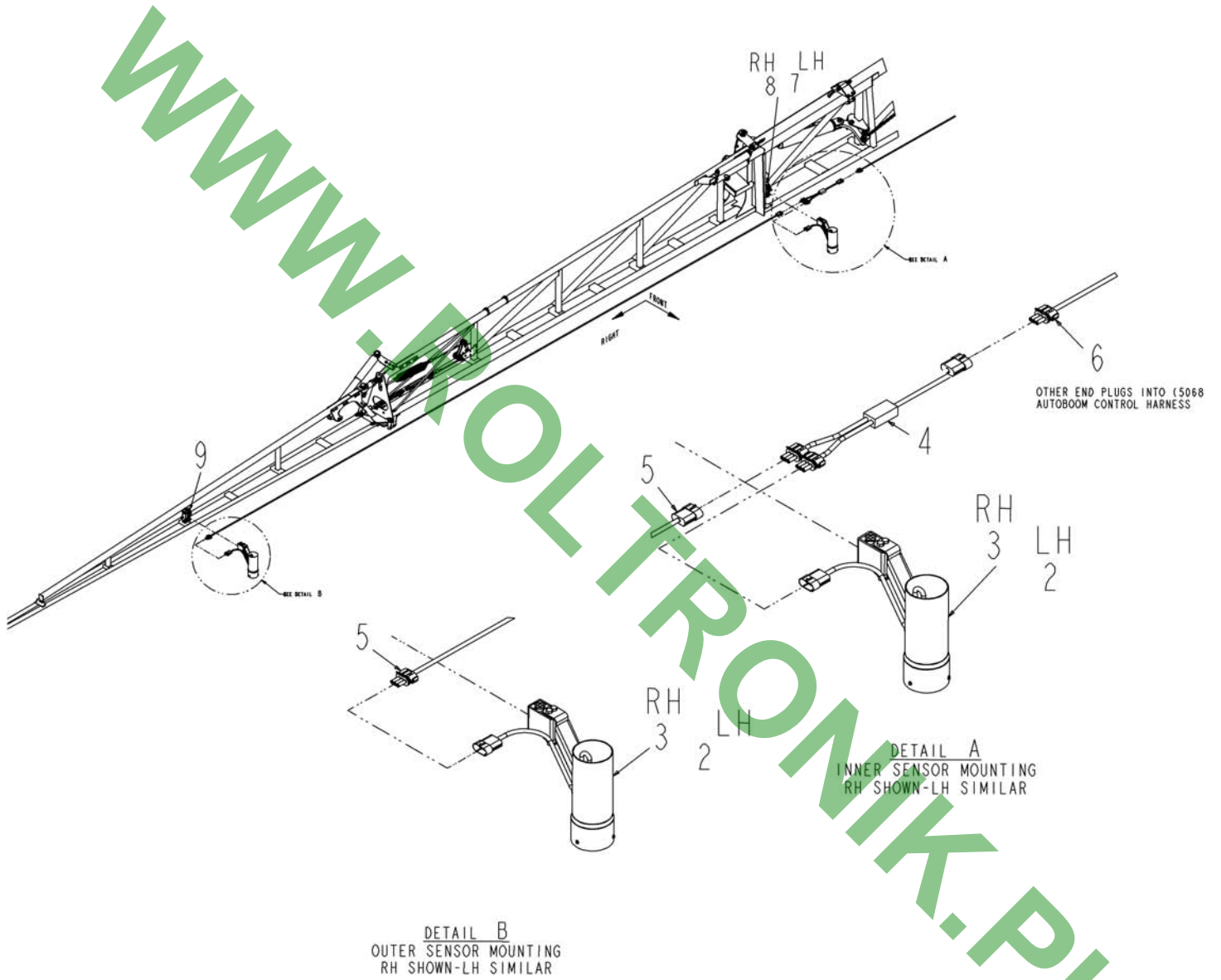


SECTION A-A



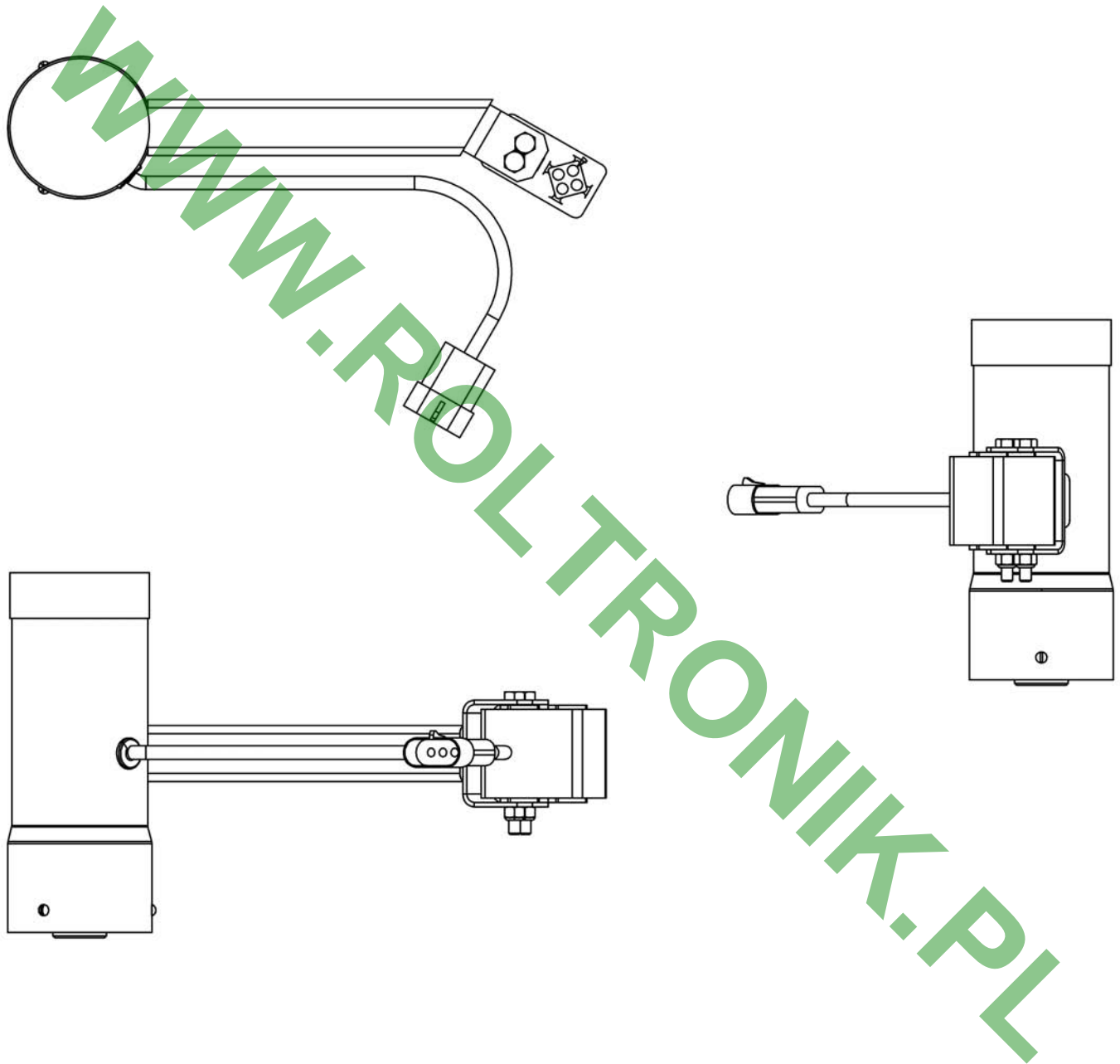
ITEM	PART #	QTY	DESCRIPTION	COMMENTS
1	506922D1	2	BUSHING RWK-1.253X1.008X2.00	
2	506923D1	1	TUBE-MTG,HUB,WHEEL,AUTOBOOM	
3	506924D1	1	PLATE-MTG,HUB,WHEEL,AUTOBOOM	
4	506943D1	5	BOLT-STUD,WHEEL,,50-20NFX1.13	

WWW.ROLTRONIK.PL



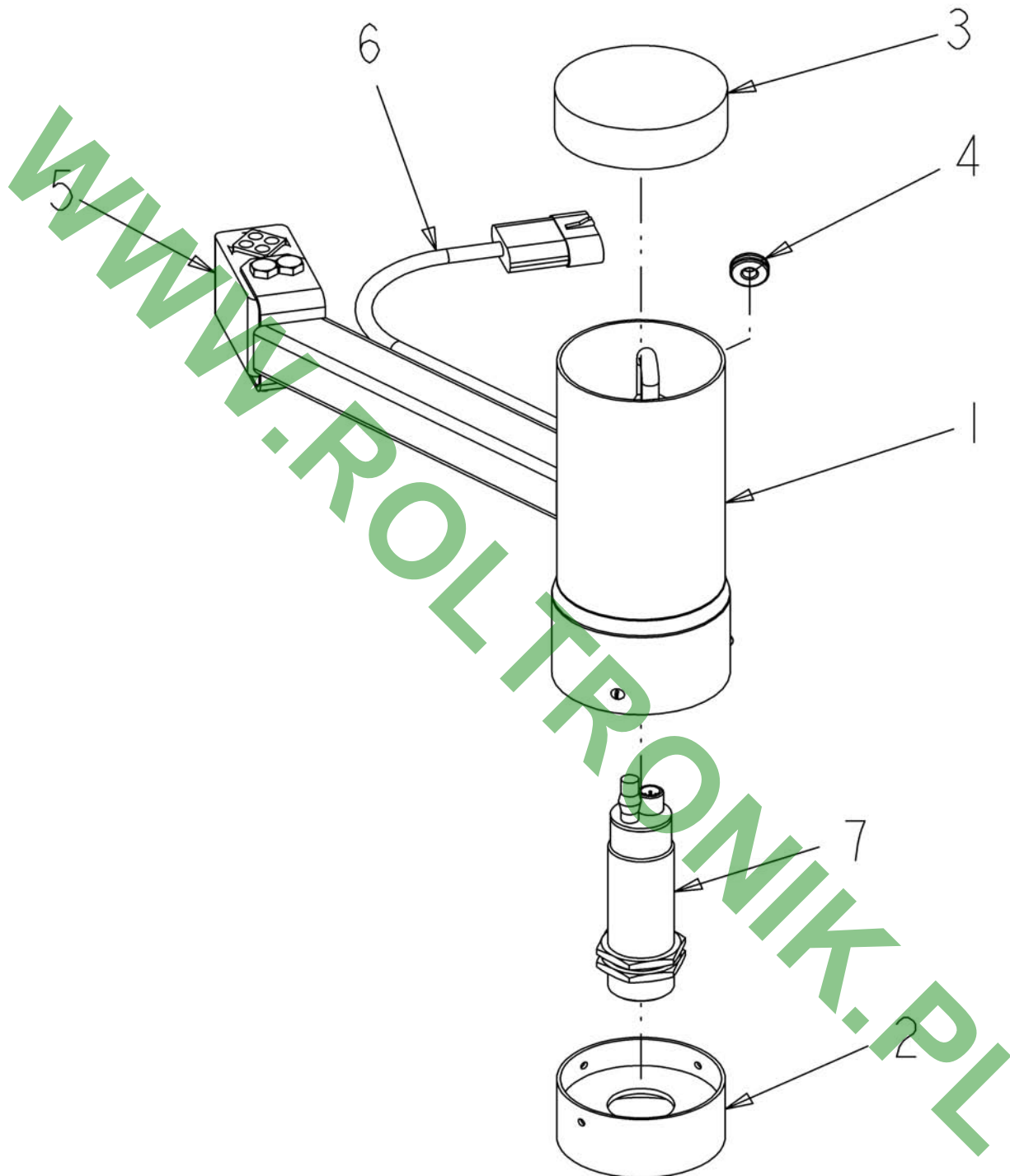
ITEM	PART #	QTY	DESCRIPTION	COMMENTS
1	AG553557	AR	TIE CABLE 7.37 .06-1.37 BLACK	
2	506901D1	2	SNSR-ULTRASONIC,AUTOBM,LH MTG	SEE PAGE 12-45
3	506902D1	2	SNSR-ULTRASONIC,AUTOBM,RH MTG	SEE PAGE 12-46
4	506903D1	2	DUPLICATOR-ULTRASONIC,AUTOBOOM	
5	506904D1	2	HARN-EXT,SNSR,ULTRASONIC,288	
6	506905D1	2	HARN-EXT,SNSR,ULTRASONIC,510	
7	507003D1	1	BRKT ASM-MTG,ANG,SNSR,LH	SEE PAGE 12-47
8	507004D1	1	BRKT ASM-MTG,ANG,SNSR,RH	SEE PAGE 12-48
9	507025D1	2	BRKT ASM-MTG,VERT,SNSR,AUTOBM	SEE PAGE 12-49

WWW.ROLTRONIK.PL



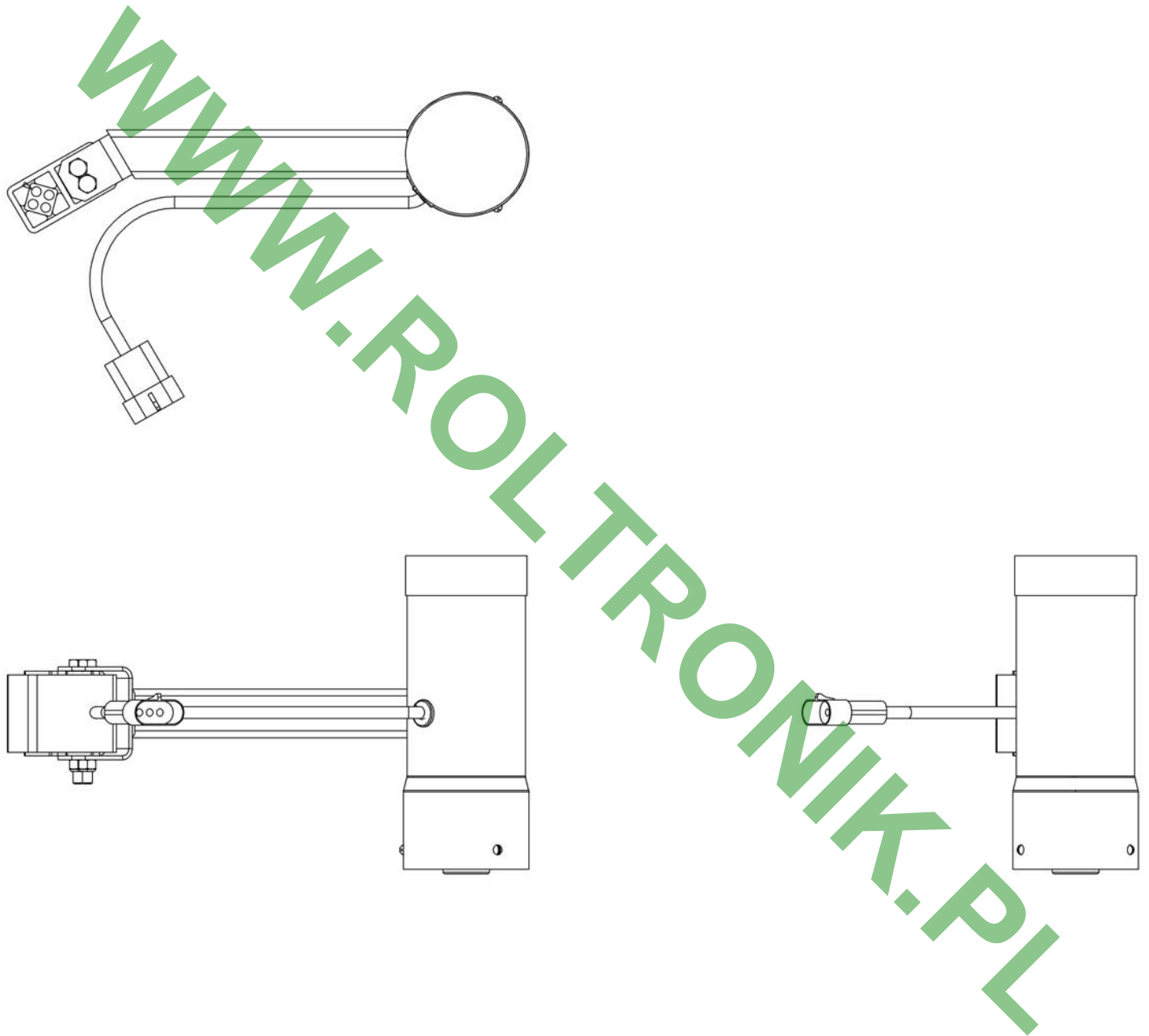
ITEM	PART #	QTY	DESCRIPTION	COMMENTS
1	507615D1	1	HOUSING WLDMT-SNSR,LH	
2	507616D1	-	BRKT WLDMT-INR,ULTRASONIC SNSR	
3	507617D1	-	CAP-MOLDED,3.00,SNSR HOUSING	
4	507618D1	-	GROMMET-ULTRASONIC SNSR	
5	507619D1	-	DAMPENER-VIBRATION SNSR	
6	507620D1	-	HARN-ULTRASONIC SNSR	
7	507621D1	-	SNSR-ULTRASONIC,AUTOBOOM	

WWW.ROLTRONIK.PL



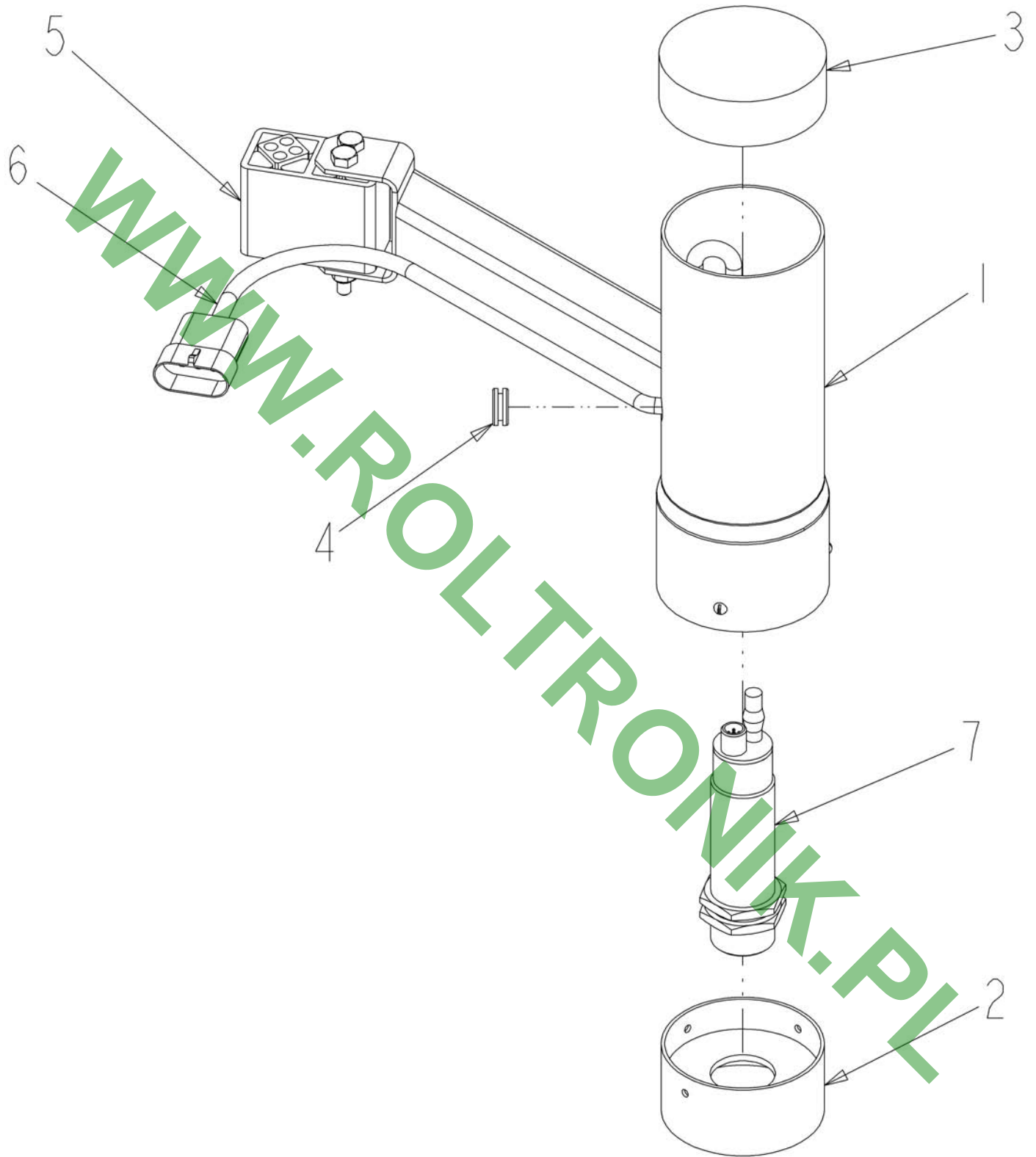
ITEM	PART #	QTY	DESCRIPTION	COMMENTS
1	507615D1	1	HOUSING WLDMT-SNSR,LH	
2	507616D1	-	BRKT WLDMT-INR,ULTRASONIC SNSR	
3	507617D1	-	CAP-MOLDED,3.00,SNSR HOUSING	
4	507618D1	-	GROMMET-ULTRASONIC SNSR	
5	507619D1	-	DAMPENER-VIBRATION SNSR	
6	507620D1	-	HARN-ULTRASONIC SNSR	
7	507621D1	-	SNSR-ULTRASONIC,AUTOBOOM	

WWW.ROLTRONIK.PL



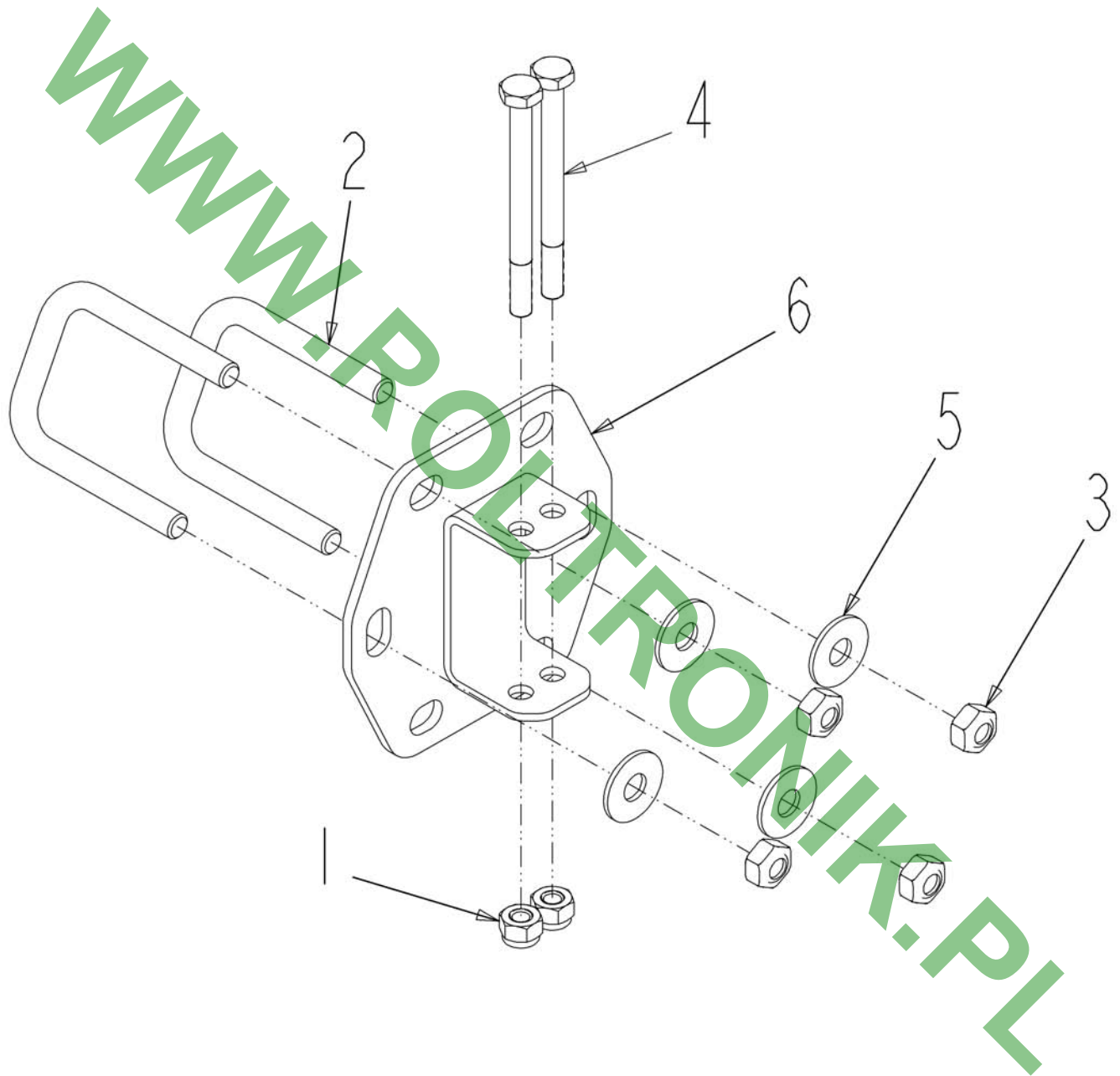
ITEM	PART #	QTY	DESCRIPTION	COMMENTS
1	507614D1	-	HOUSING WLDMT-SNSR,RH	
2	507616D1	-	BRKT WLDMT-INR,ULTRASONIC SNSR	
3	507617D1	-	CAP-MOLDED,3.00,SNSR HOUSING	
4	507618D1	-	GROMMET-ULTRASONIC SNSR	
5	507619D1	-	DAMPENER-VIBRATION SNSR	
6	507620D1	-	HARN-ULTRASONIC SNSR	
7	507621D1	-	SNSR-ULTRASONIC,AUTOBOOM	

WWW.ROLTRONIK.PL



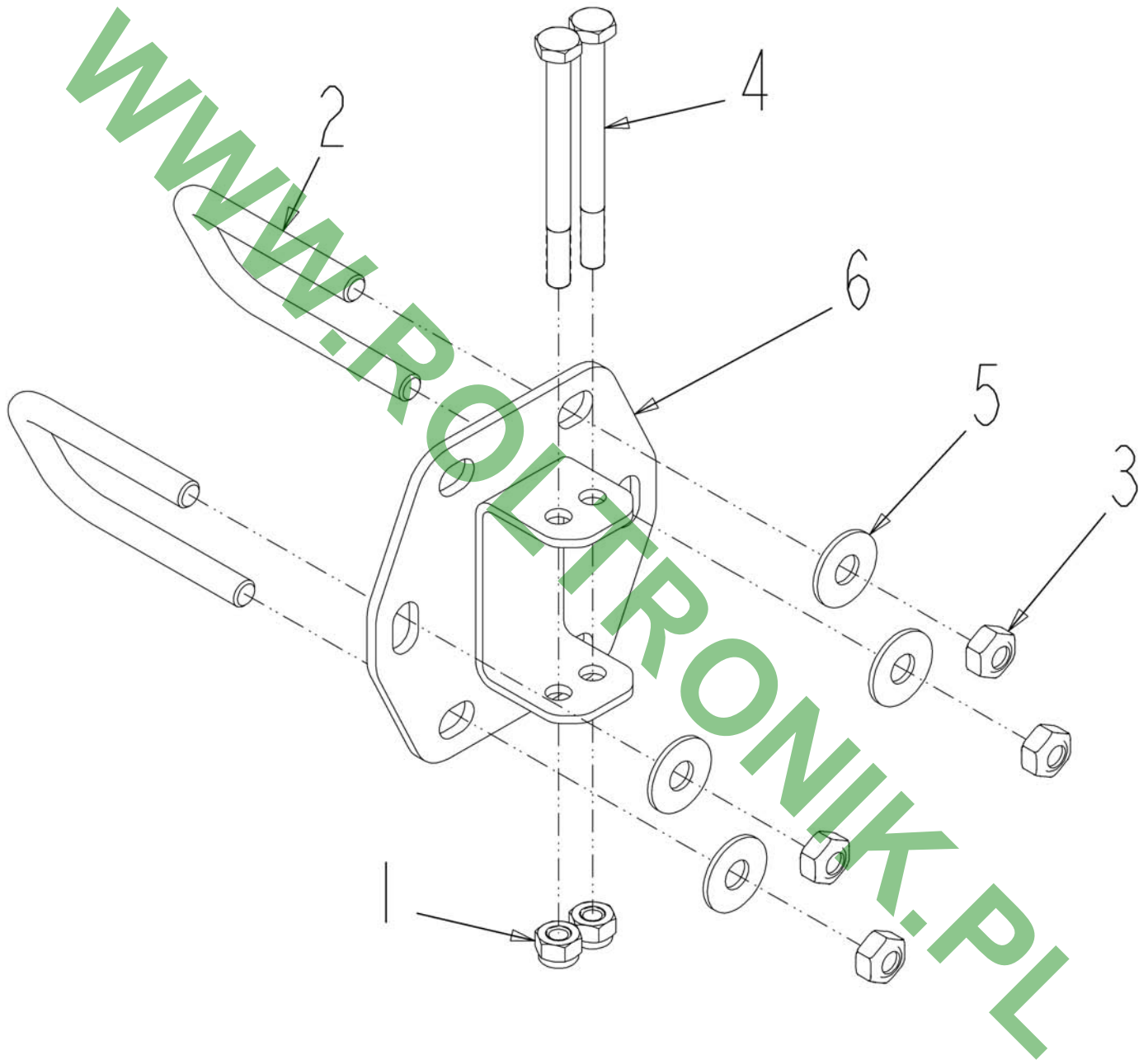
ITEM	PART #	QTY	DESCRIPTION	COMMENTS
1	507614D1	-	HOUSING WLDMT-SNSR,RH	
2	507616D1	-	BRKT WLDMT-INR,ULTRASONIC SNSR	
3	507617D1	-	CAP-MOLDED,3.00,SNSR HOUSING	
4	507618D1	-	GROMMET-ULTRASONIC SNSR	
5	507619D1	-	DAMPENER-VIBRATION SNSR	
6	507620D1	-	HARN-ULTRASONIC SNSR	
7	507621D1	-	SNSR-ULTRASONIC,AUTOBOOM	

WWW.ROLTRONIK.PL



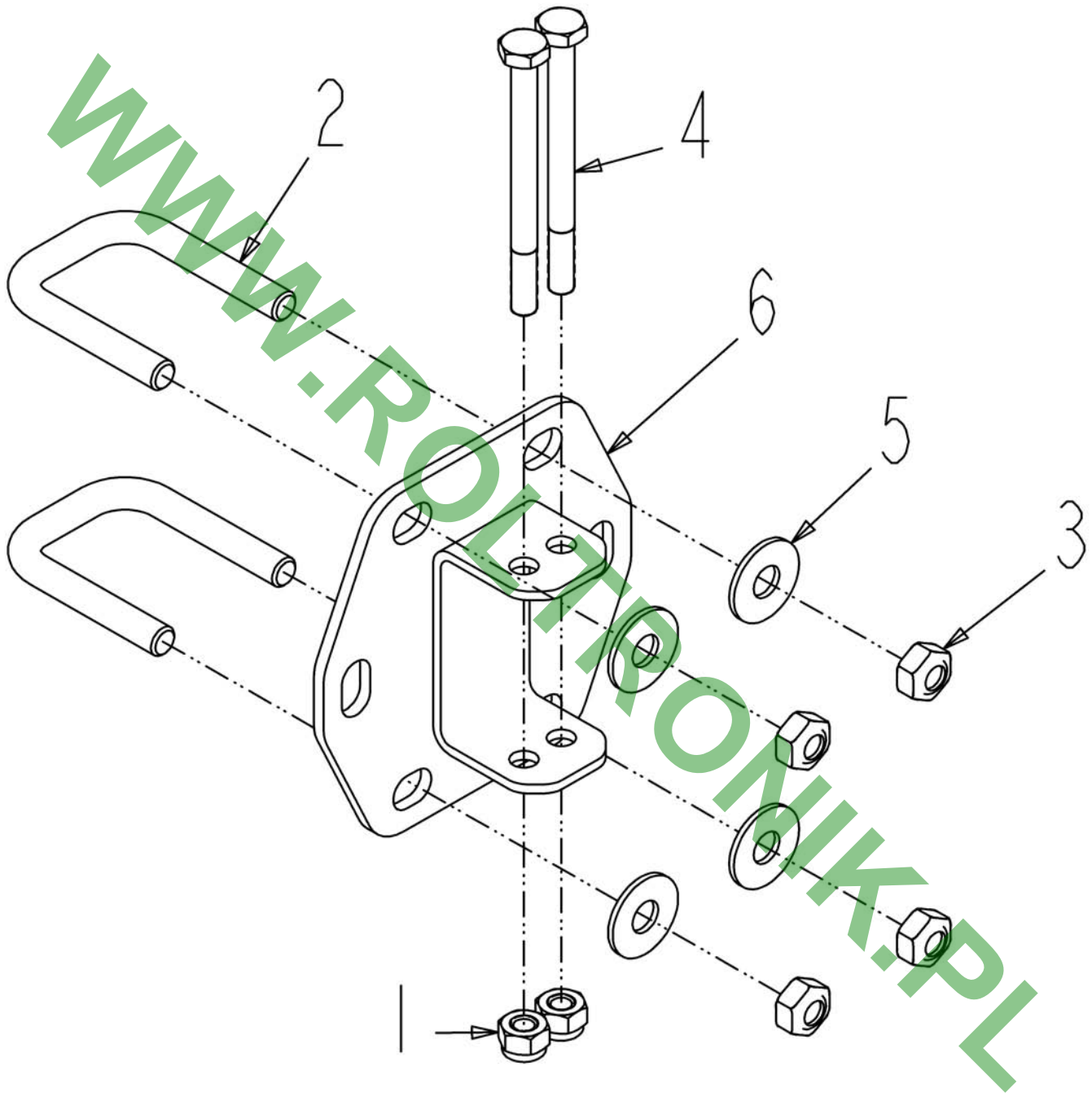
ITEM	PART #	QTY	DESCRIPTION	COMMENTS
1	AG027275	2	NUT,NY-LOCK 1/4-20 SS HX (P)	
2	AG231204	2	BOLT-U .31-18X1.88X2.63	[A]
3	AG516403	4	NUT 0.31-18NC HEX ESNA SS	
4	AG518492	2	BOLT 0.25-20NCX 3.00 SS HHD	
5	AG562074	4	WASHER FL 0.31 SS REG	
6	506906D1	1	BRKT WLDMT-MTG,SNSR,AUTOBOOM	
	FOOTNOTE [A]		WASHER AG562074, NUT AG516403	

WWW.ROLTRONIK.PL



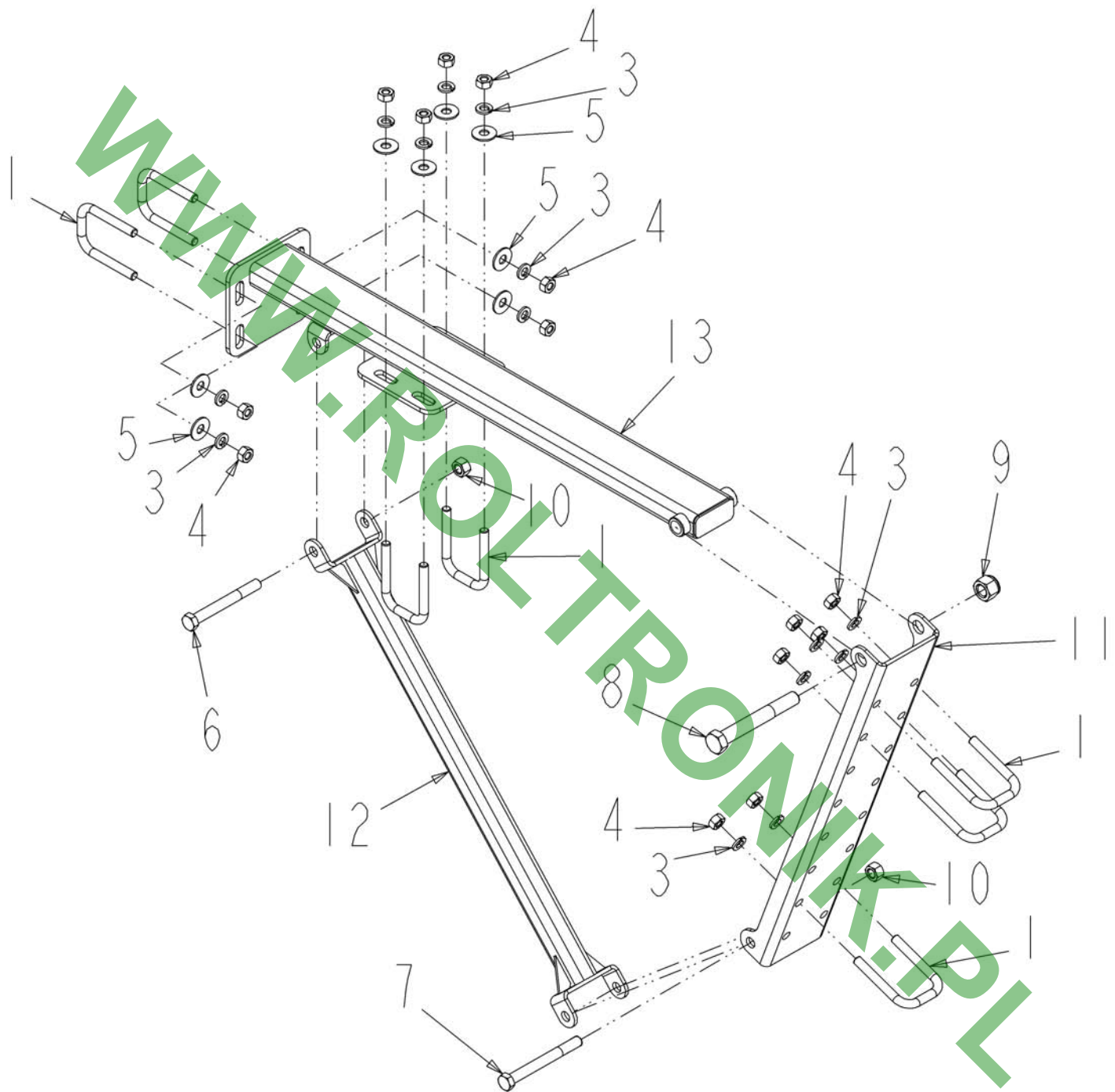
ITEM	PART #	QTY	DESCRIPTION	COMMENTS
1	AG027275	2	NUT,NY-LOCK 1/4-20 SS HX (P)	
2	AG231204	2	BOLT-U .31-18X1.88X2.63	[A]
3	AG516403	4	NUT 0.31-18NC HEX ESNA SS	
4	AG518492	2	BOLT 0.25-20NCX 3.00 SS HDD	
5	AG562074	4	WASHER FL 0.31 SS REG	
6	506906D1	1	BRKT WLDMT-MTG,SNSR,AUTOBOOM	
	FOOTNOTE [A]		WASHER AG562074, NUT AG516403	

WWW.ROLTRONIK.PL



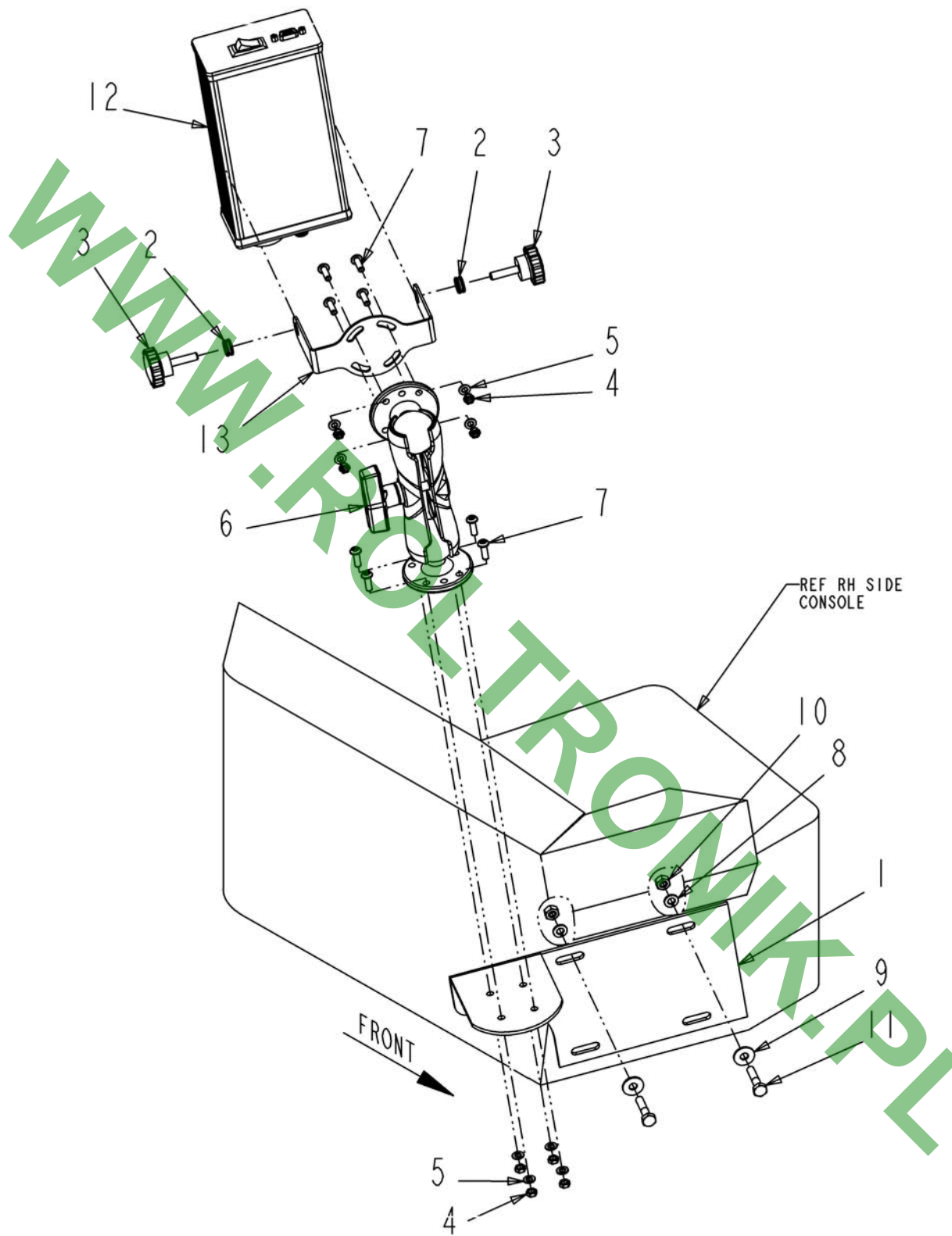
ITEM	PART #	QTY	DESCRIPTION	COMMENTS
1	AG027275	2	NUT,NY-LOCK 1/4-20 SS HX (P)	
2	AG231205	2	BOLT-U .31-18X1.31X2.00	[A]
3	AG516403	4	NUT 0.31-18NC HEX ESNA SS	
4	AG518492	2	BOLT 0.25-20NCX 3.00 SS HDD	
5	AG562074	4	WASHER FL 0.31 SS REG	
6	506906D1	1	BRKT WLDMT-MTG,SNSR,AUTOBOOM	
	FOOTNOTE [A]		REPLACED BY AG211441	

WWW.ROLTRONIK.PL



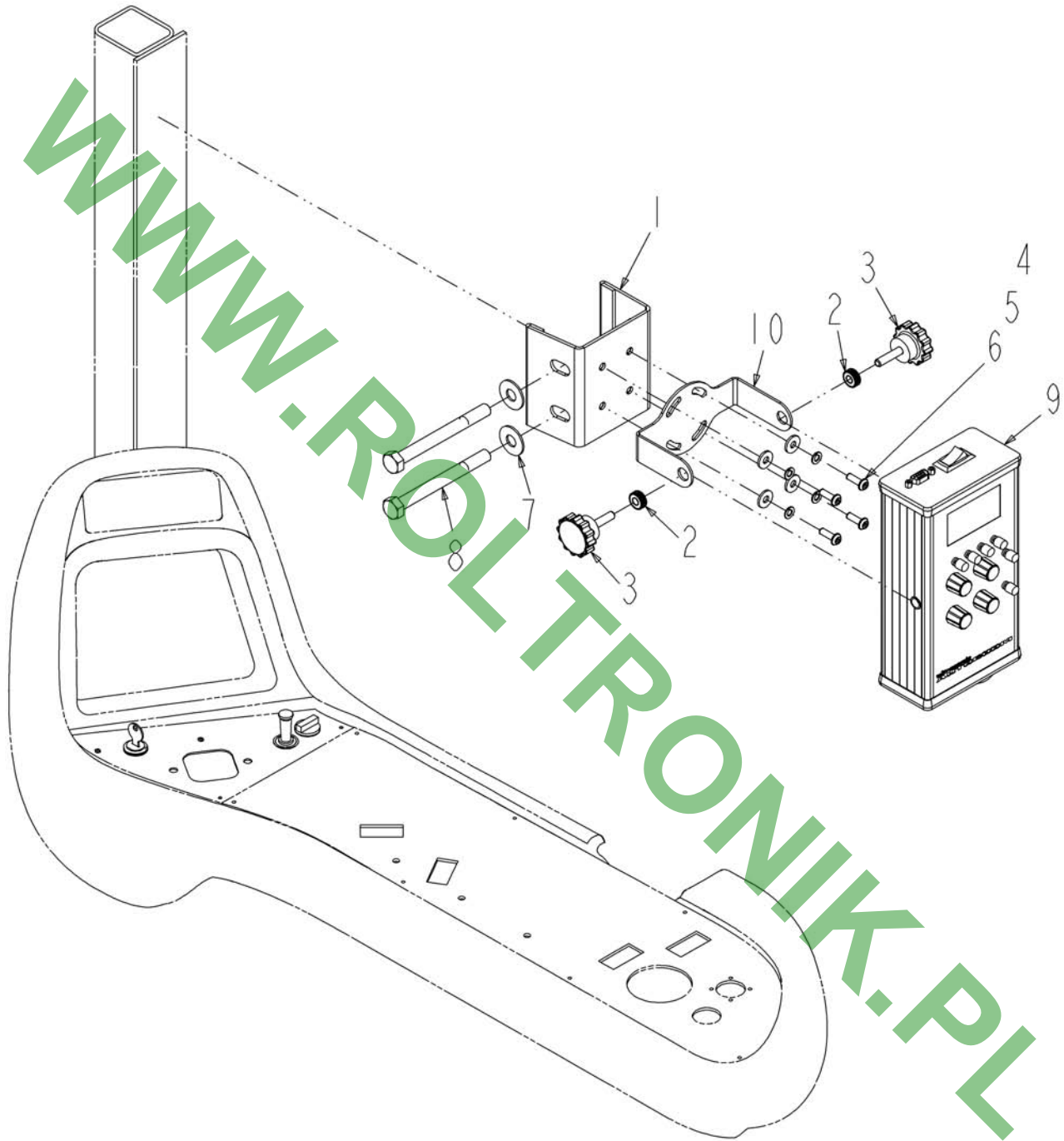
ITEM	PART #	QTY	DESCRIPTION	COMMENTS
1	AG209384	7	BOLT-U .31-18X1.56X 2.46SQG5ZN	
2	AG511099	-	GREASE-MULTI PURPOSE LITH. [BULK: 0.001 LB]	
3	AG550205	14	WASHER LK 0.31 ZN REG	
4	AG550213	14	NUT 0.31-18NC HEX ZN REG	
5	AG551015	8	WASHER 0.31 FL ZN REG TYPE-B	
6	AG551058	1	BOLT 0.37-16NCX 3.25 G5 ZN HDD	
7	AG557471	1	BOLT 0.37-16NCX 3.50 G5 ZN HDD	
8	AG561592	1	BOLT 0.50-13NCX 3.75 G5 ZN HDD	
9	AG601152	1	NUT 0.50-13NC HEX ZN REG NY	
10	AG601411	2	NUT 0.37-16NC HEX ZN REG LK NY	
11	506913D1	1	BRKT-MTG,FORK,WHEEL,AUTOBOOM	
12	506925D1	1	BRACE WLDMT-MTG,WHEEL,AUTOBOOM	
13	506929D1	1	ARM WLDMT-MTG,WHL,AUTOBOOM,120	

WWW.ROLTRONIK.PL



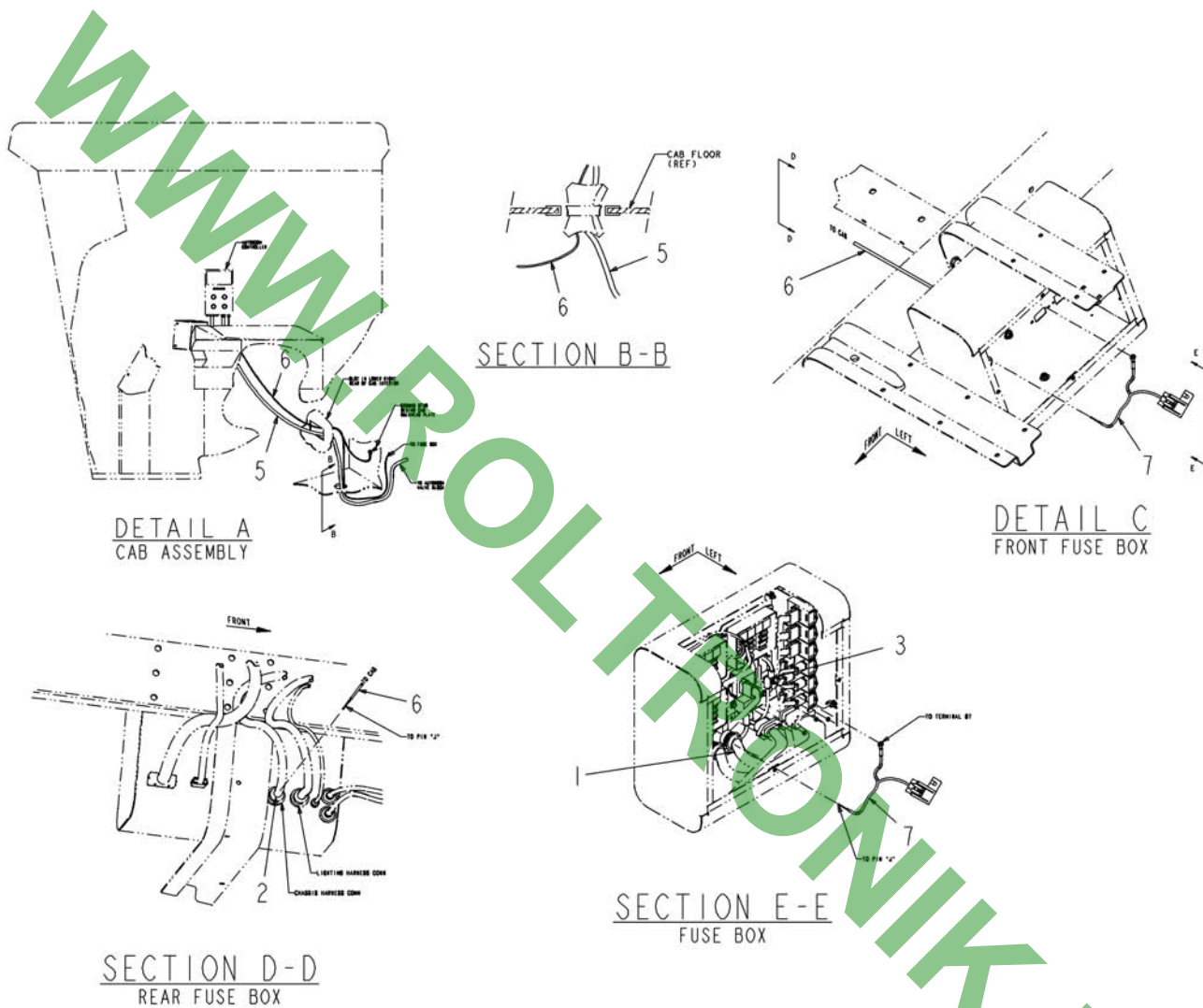
ITEM	PART #	QTY	DESCRIPTION	COMMENTS
1	AG121934	1	BRKT-MTG,KEYBOARD,FLCN II	
2	AG514342	2	GROMMET 0.25 ID .44 GROOVE DIA	
3	AG514446	2	KNOB 0.25NC ROUND BL PLASTIC	
4	AG522220	8	NUT-M5-0.8,CL10.9,ZN,H	
5	AG522247	8	WASHER-LK,M5,SS,REG	
6	AG523464	1	CLAMP ASM-MTG,BALL,7.50	
7	AG523508	8	SCR-M5-0.8X16,CL10.9,BLK,BHHS	
8	AG550493	2	WASHER LK 0.25 ZN REG	
9	AG550507	2	WASHER FL 0.25 ZN REG TYPE-B	
10	AG550612	2	NUT 0.25-20NC HEX ZN REG	
11	AG558788	2	BOLT 0.25-20NCX 1.25 G5 ZN HDD	
12	506896D1	1	CONSOLE-AUTOBOOM,G2,RVN	
13	506897D1	1	BRKT-MTG,CONSOLE,AUTOBOOM,G2	

WWW.ROLTRONIK.PL



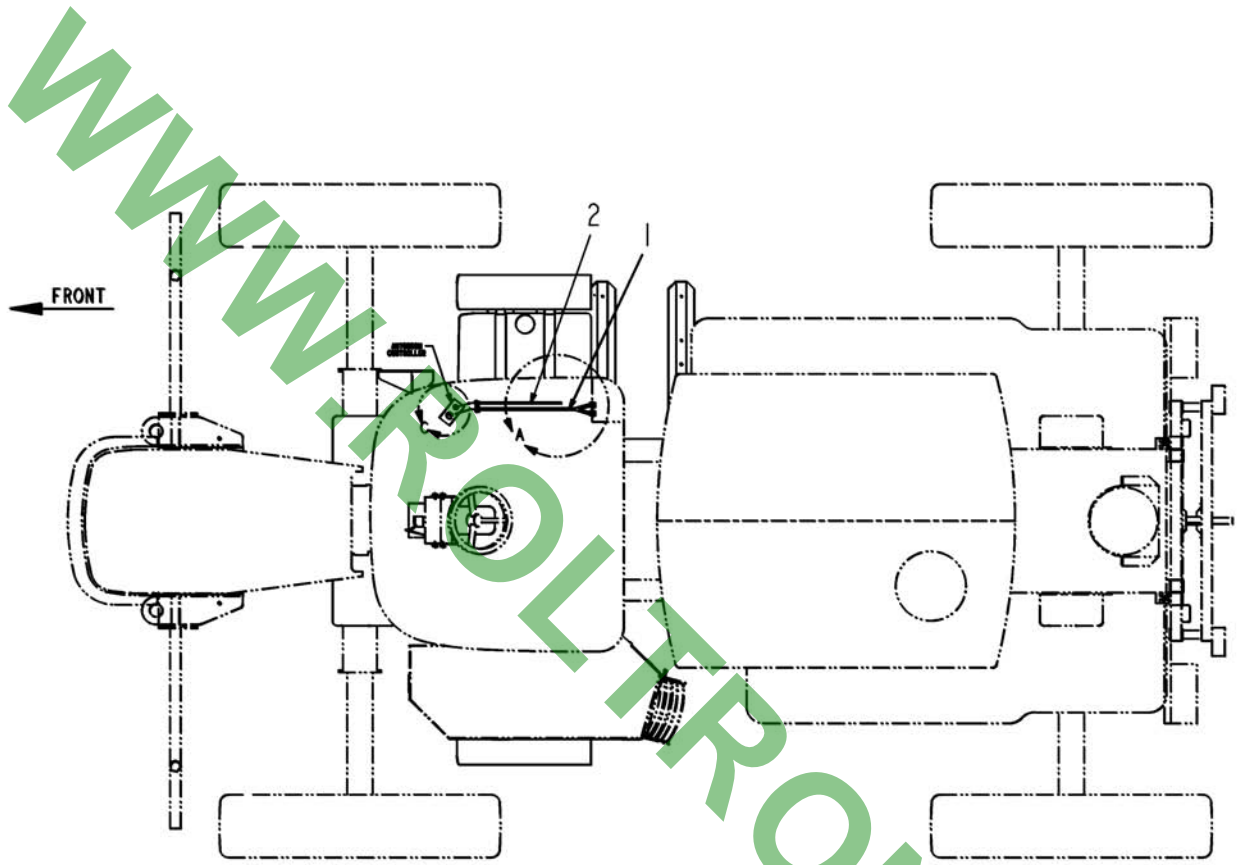
ITEM	PART #	QTY	DESCRIPTION	COMMENTS
1	AG326925	1	CLAMP WLDMT-MTG,CTRL/MONITOR	
2	AG514342	2	GROMMET 0.25 ID .44 GROOVE DIA	
3	AG514446	2	KNOB 0.25NC ROUND BL PLASTIC	
4	AG522244	4	WASHER-FL,M5,SS,REG	
5	AG522247	4	WASHER-LK,M5,SS,REG	
6	AG523508	4	SCR-M5-0.8X16,CL10.9,BLK,BHHS	
7	AG551007	2	WASHER FL 0.37 ZN REG TYPE-B	
8	AG562364	2	BOLT M10-1.5X100MM G8.8 ZN HHD	
9	506896D1	1	CONSOLE-AUTOBOOM,G2,RVN	
10	506897D1	1	BRKT-MTG,CONSOLE,AUTOBOOM,G2	

WWW.ROLTRONIK.PL



ITEM	PART #	QTY	DESCRIPTION	COMMENTS
1	AG124866	-	HARNES-FUSE BLOCK,864	
2	AG124868	-	HARNES-CHASSIS,864	
3	AG516864	-	RELAY-ELEC,12VDC,75AMP	[A]
4	AG553557	AR	TIE CABLE 7.37 .06-1.37 BLACK	
5	506892D1	1	HARN-CTRL,CAB,AUTOBOOM,G2	
6	506894D1	1	HARN-PWR,AUTOBOOM,8/10X4	
7	506895D1	1	HARN-RELAY,10A,AUTOBOOM,8/10X4	
	FOOTNOTE [A]		SEE TECH BULLETN 9823	
	FOOTNOTE [A]		SEE TECH BULLETIN 9864 FOR HEAD RINSE, RELAY INFO. 75 AMP RELAY	

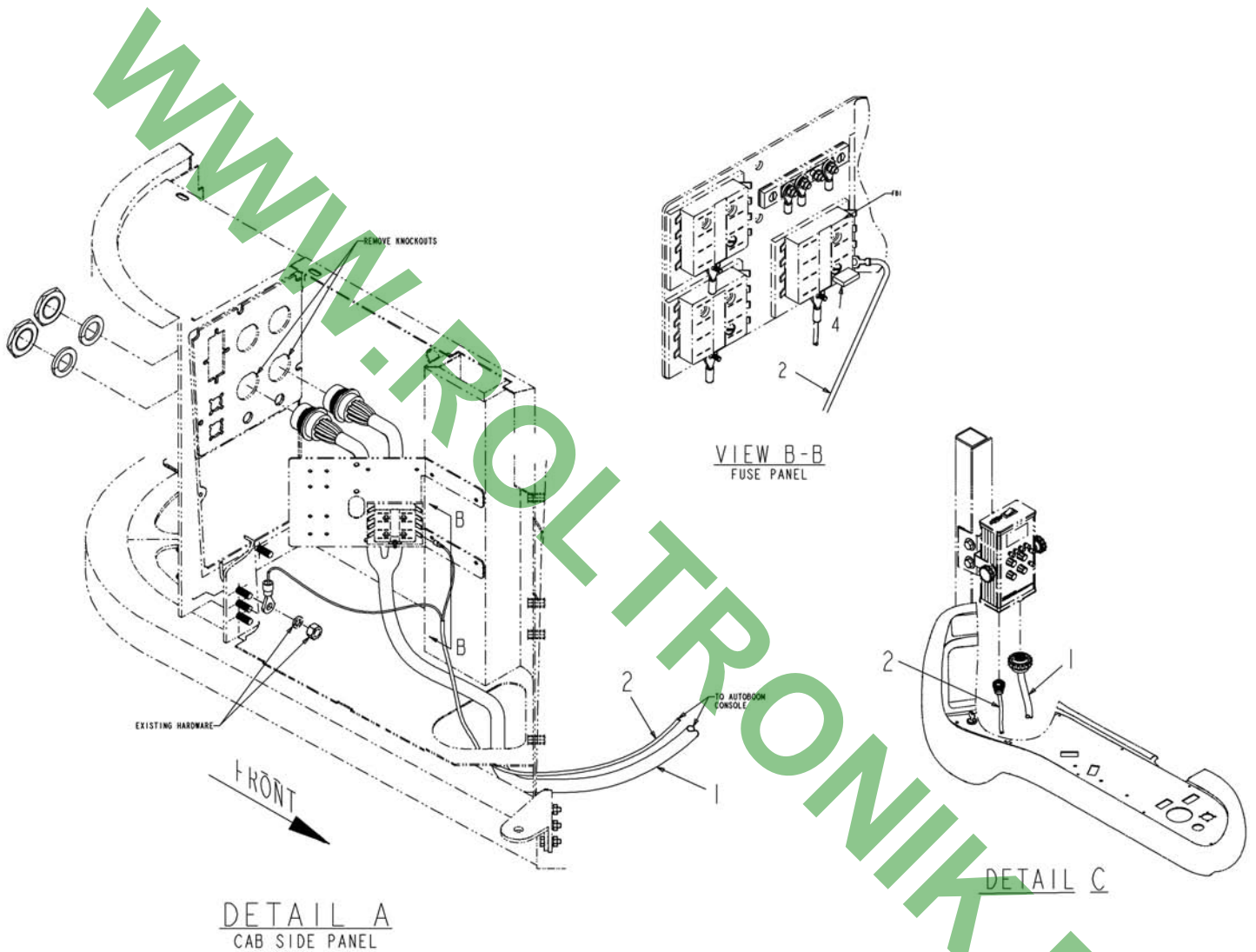
WWW.ROLTRONIK.PL



TOP VIEW
ROGATOR LIQUID SYSTEM

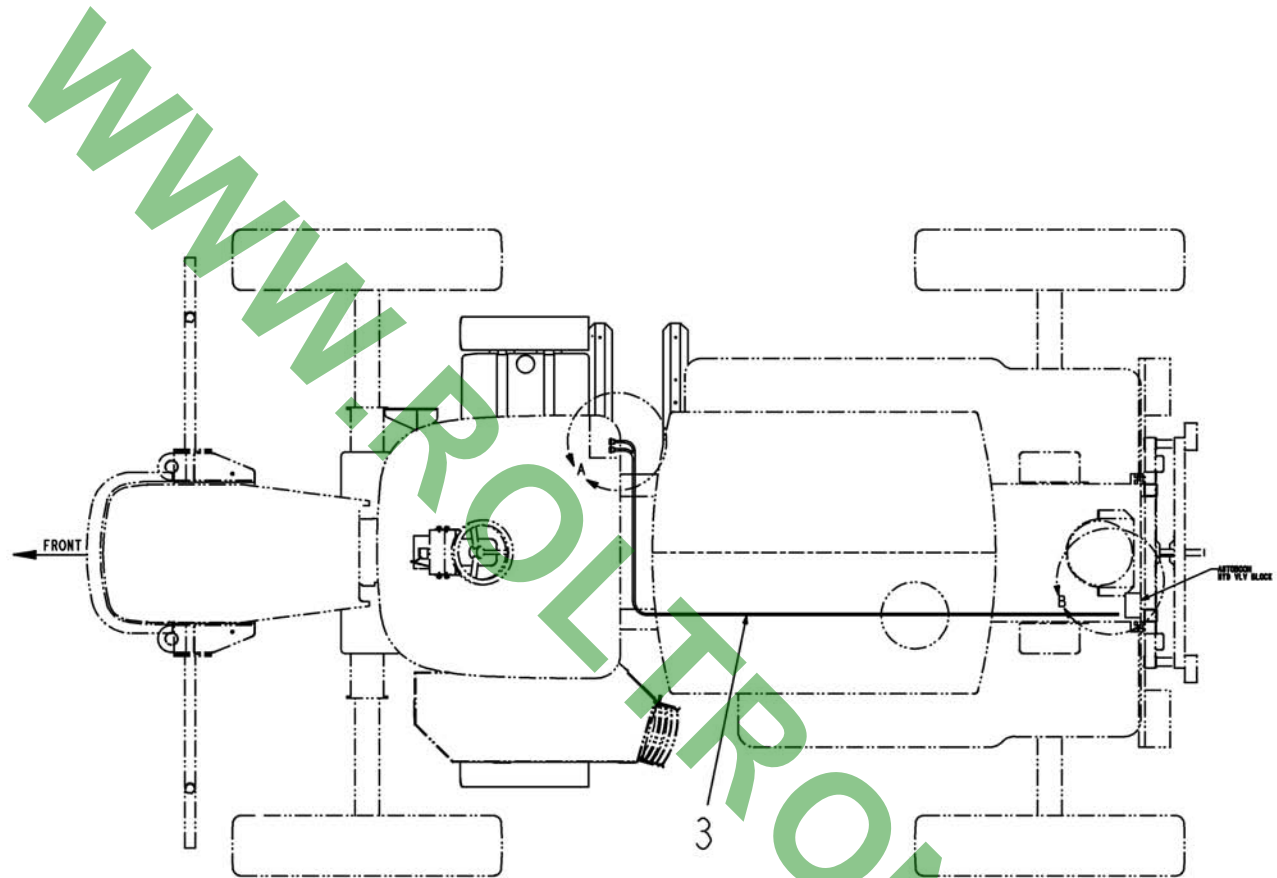
ITEM	PART #	QTY	DESCRIPTION	COMMENTS
1	506892D1	1	HARN-CTRL,CAB,AUTOBOOM,G2	
2	506893D1	1	HARN-PWR,AUTOBOOM,12X4	
3	AG553557	AR	TIE CABLE 7.37 .06-1.37 BLACK	
4	AG562931	1	FUSE 10A BLADE ATC	

WWW.ROLTRONIK.PL



ITEM	PART #	QTY	DESCRIPTION	COMMENTS
1	506892D1	1	HARN-CTRL,CAB,AUTOBOOM,G2	
2	506893D1	1	HARN-PWR,AUTOBOOM,12X4	
3	AG553557	AR	TIE CABLE 7.37 .06-1.37 BLACK	
4	AG562931	1	FUSE 10A BLADE ATC	

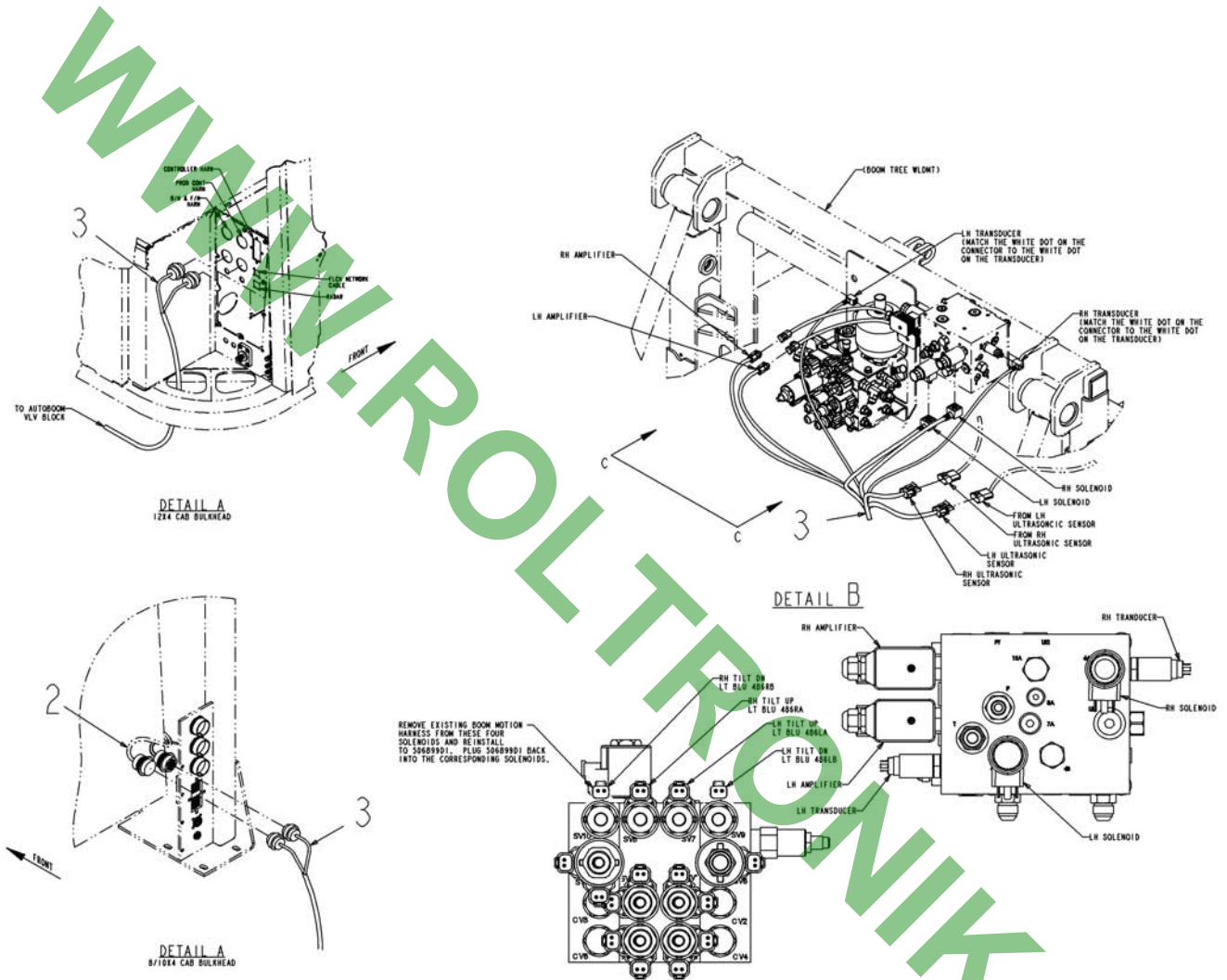
WWW.ROLTRONIK.PL



TOP VIEW
ROGATOR LIQUID SYSTEM

ITEM	PART #	QTY	DESCRIPTION	COMMENTS
1	AG553557	AR	TIE CABLE 7.37 .06-1.37 BLACK	
2	506892D1	-	HARN-CTRL,CAB,AUTOBOOM,G2	
3	506899D1	1	HARN-CTRL,SYS,AUTOBOOM,G2	

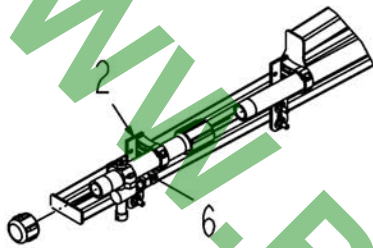
WWW.ROLTRONIK.PL



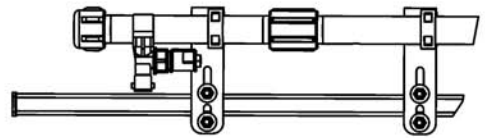
ITEM	PART #	QTY	DESCRIPTION	COMMENTS
1	AG553557	AR	TIE CABLE 7.37 .06-1.37 BLACK	
2	506892D1	-	HARN-CTRL,CAB,AUTOBOOM,G2	
3	506899D1	1	HARN-CTRL,SYS,AUTOBOOM,G2	

WWW.ROLTRONIK.PL

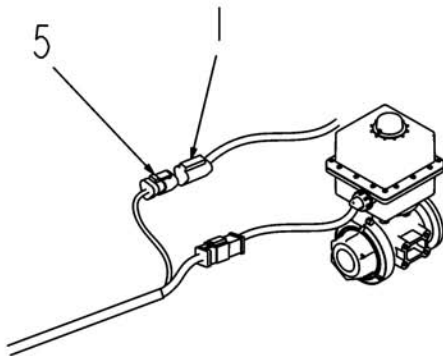
WWW.POLTRONIK.PL



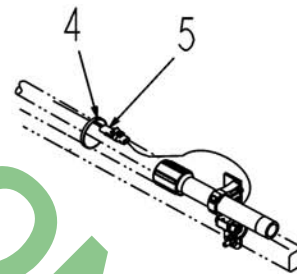
LH SIDE SHOWN
RH SIDE OPPOSITE



LH SIDE SHOWN
RH SIDE OPPOSITE



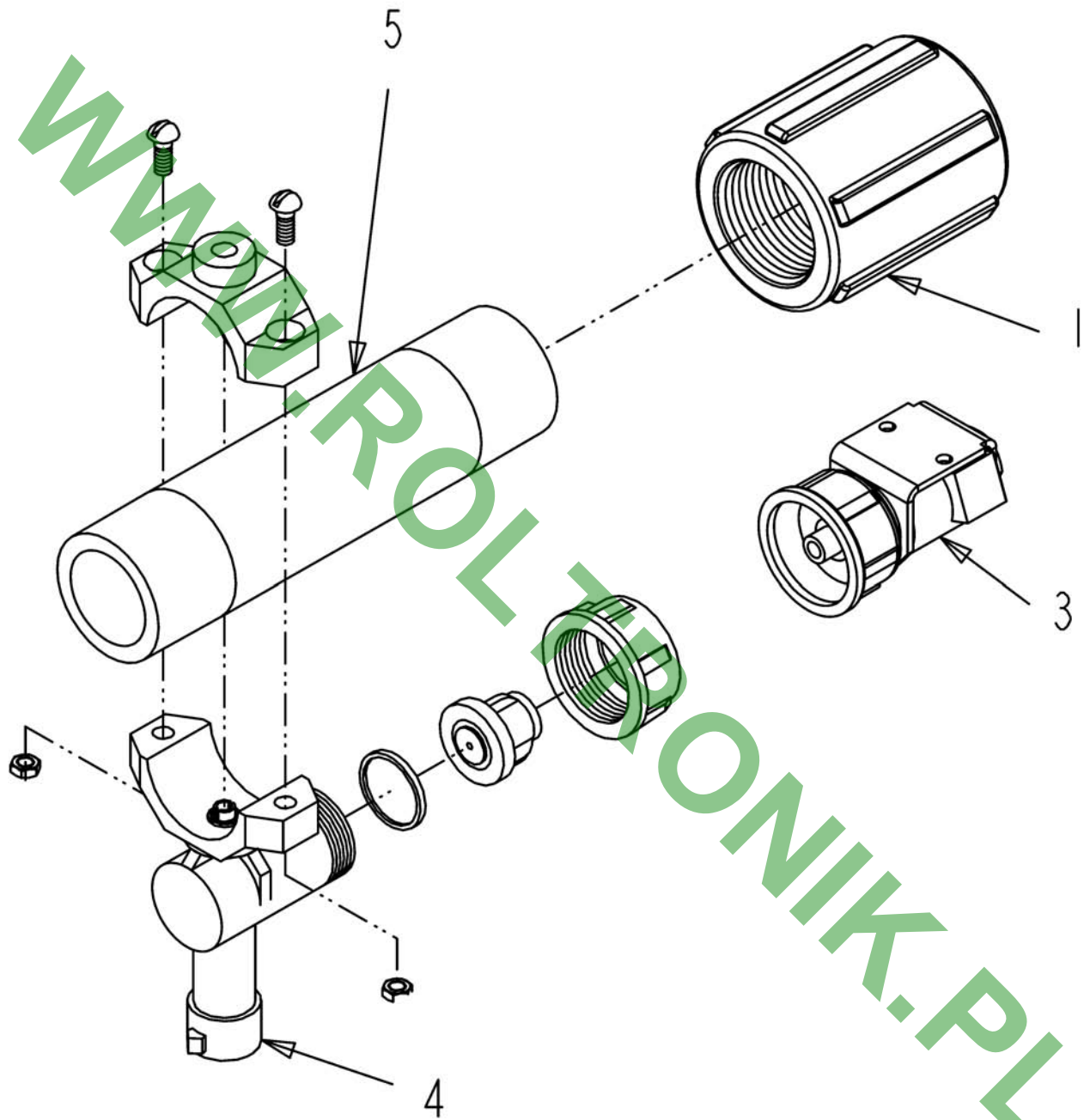
RH SIDE SHOWN
LH SIDE SAME



RH SIDE SHOWN
LH SIDE SAME

ITEM	PART #	QTY	DESCRIPTION	COMMENTS
1	AG122657	2	HARNESS-END ROW	
2	WR129086	2	BRKT ASM-STR,SH,IPS CLP,1.00U	SEE PAGE 4-87
3	AG129187	AR	PIPE SEALANT-POLY SEAL	
4	AG553557	AR	TIE CABLE 7.37 .06-1.37 BLACK	
5	505270D1	-	HARNESS-BSO VLV,7 SECT	
6	506873D1	2	PIPE ASM-.5X10,PP,ENDROW	SEE PAGE 12-57

WWW.ROLTRONIK.PL



ITEM	PART #	QTY	DESCRIPTION	COMMENTS
1	AG051131	1	COUPLING-PIPE,1.00NPT,PP	
2	AG129187	AR	PIPE SEALANT-POLY SEAL	
3	AG129947	1	VALVE-SOL,NOZ BODY,ARAG,150PSI	SEE PAGE 3-22
4	AG519561	1	NOZ HLDR-SGL 1.00 IPS	SEE PAGE 4-77
5	506874D1	1	TUBE-BOOM,PP,10,5.13	

WWW.ROLTRONIK.PL

NUMERIC INDEX

228098D	12-34	506729D1	3-32	506912D1	12-42
228099D	12-34	506729D1	4-85	506913D1	12-50
228107D	12-34	506730D1	3-32	506914D1	12-42
309263D	12-34	506731D1	3-32	506921D1	12-42
309326D	12-34	506732D1	4-85	506922D1	12-43
309327D	12-34	506733D1	4-85	506923D1	12-43
503685D1	6-28	506734D1	3-32	506924D1	12-43
503858D1	5-12	506735D1	3-32	506925D1	12-50
504389D1	6-25	506736D1	3-32	506929D1	12-50
504390D1	6-20	506737D1	3-32	506943D1	12-43
504404D1	6-26	506738D1	3-32	507003D1	12-44
505109D1	6-19	506739D1	3-32	507004D1	12-44
505109D1	6-26	506740D1	3-32	507025D1	12-44
505110D1	6-20	506741D1	3-32	507139D1	6-23
505110D1	6-23	506742D1	4-85	507354D1	6-2
505270D1	12-56	506743D1	4-85	507356D1	6-1
505270D1	6-20	506744D1	4-85	507356D1	6-2
505270D1	6-23	506745D1	4-85	507356D1	6-29
505428D1	3-17	506746D1	4-85	507356D1	6-3
505428D1	3-18	506747D1	4-85	507412D1	12-38
505430D1	3-19	506785D1	4-94	507413D1	12-38
505430D1	3-20	506785D1	4-95	507414D1	12-38
505516D1	3-36	506786D1	4-88	507415D1	12-38
506316D1	3-33	506786D1	4-98	507416D1	12-38
506316D1	3-37	506796D1	4-103	507417D1	12-38
506321D1	3-30	506796D1	4-90	507418D1	12-38
506322D1	3-33	506805D1	4-105	507419D1	12-38
506322D1	3-37	506805D1	4-91	507420D1	12-38
506334D1	3-33	506805D1	4-92	507421D1	12-38
506334D1	3-37	506806D1	4-106	507422D1	12-38
506451D1	3-32	506807D1	4-112	507423D1	12-38
506451D1	4-85	506807D1	4-113	507424D1	12-38
506456D1	3-28	506808D1	4-115	507425D1	12-38
506457D1	12-35	506845D1	2-41	507426D1	12-38
506467D1	12-35	506846D1	2-42	507525D1	12-38
506467D1	12-39	506857D1	9-5	507614D1	12-46
506476D1	3-31	506873D1	12-56	507615D1	12-45
506499D1	3-31	506874D1	12-57	507616D1	12-45
506593D1	3-28	506892D1	12-53	507616D1	12-46
506594D1	3-28	506892D1	12-54	507617D1	12-45
506595D1	3-28	506892D1	12-55	507617D1	12-46
506624D1	3-29	506893D1	12-54	507618D1	12-45
506649D1	3-28	506894D1	12-53	507618D1	12-46
506720D1	3-32	506895D1	12-53	507619D1	12-45
506720D1	4-85	506896D1	12-51	507619D1	12-46
506721D1	3-32	506896D1	12-52	507620D1	12-45
506722D1	3-32	506897D1	12-51	507620D1	12-46
506722D1	4-85	506897D1	12-52	507621D1	12-45
506723D1	3-32	506899D1	12-55	507621D1	12-46
506723D1	4-85	506901D1	12-44	507655D1	2-12
506724D1	3-32	506902D1	12-44	508671D1	3-32
506724D1	4-85	506903D1	12-44	508671D1	4-85
506725D1	3-32	506904D1	12-44	515995D	12-34
506725D1	4-85	506905D1	12-44	6623263	3-34
506726D1	3-32	506906D1	12-47	6623263	3-38
506726D1	4-85	506906D1	12-48	6626401	3-17
506727D1	3-32	506906D1	12-49	6626401	3-18
506727D1	4-85	506910D1	12-41	6626401	3-19
506728D1	3-32	506911D1	12-41	6626401	3-20

NUMERIC INDEX

6626401	3-34	AG000789	2-6	AG007170	2-16
6626401	3-35	AG000789	4-43	AG007470	2-15
6626401	3-38	AG000790	2-15	AG007470	2-6
6630367	2-12	AG000790	2-6	AG007470	4-43
AG000313	2-16	AG000790	4-43	AG007474	2-8
AG000325	12-29	AG000793	2-15	AG007489	2-15
AG000338	2-16	AG000793	2-6	AG007489	2-6
AG000346	2-16	AG000793	4-43	AG007489	4-43
AG000349	2-16	AG000794	1-22	AG007505	1-25
AG000482	2-16	AG000795	2-30	AG007558	2-8
AG000766	11-1	AG000796	1-22	AG007566	2-8
AG000766	11-2	AG000796	2-30	AG007577	2-30
AG000766	11-3	AG000796	2-8	AG007578	1-22
AG000766	12-27	AG000801	1-22	AG007578	2-30
AG000766	12-6	AG000801	2-30	AG007579	4-43
AG000766	2-14	AG000801	2-8	AG007580	2-6
AG000766	2-35	AG000803	1-22	AG007580	4-43
AG000766	4-45	AG000803	2-30	AG007657	2-16
AG000766	4-46	AG000803	2-8	AG007784	12-29
AG000766	4-47	AG000823	1-21	AG007785	9-10
AG000767	1-12	AG000824	1-23	AG010220	3-15
AG000767	1-17	AG000829	1-21	AG010220	3-16
AG000767	12-21	AG000830	1-23	AG010220	3-34
AG000767	1-7	AG001260	9-10	AG010220	3-38
AG000767	2-19	AG002309	1-25	AG010354	3-4
AG000768	1-12	AG005168	2-16	AG010354	3-5
AG000768	1-17	AG005492	1-23	AG027273	12-13
AG000768	1-7	AG005536	2-16	AG027273	12-14
AG000768	2-14	AG005687	2-16	AG027273	4-109
AG000772	12-27	AG006175	2-16	AG027273	4-57
AG000772	12-6	AG006500	2-16	AG027273	4-58
AG000772	2-11	AG006504	2-16	AG027273	4-59
AG000772	2-17	AG006518	2-14	AG027273	4-61
AG000772	2-25	AG006573	2-15	AG027273	4-63
AG000772	2-33	AG006573	2-6	AG027273	4-65
AG000772	2-34	AG006573	4-43	AG027273	4-66
AG000772	2-35	AG006577	2-15	AG027273	4-67
AG000772	2-39	AG006578	1-22	AG027273	4-69
AG000772	2-42	AG006578	2-30	AG027273	4-70
AG000772	4-48	AG006581	1-22	AG027273	4-72
AG000773	12-21	AG006581	2-30	AG027273	4-73
AG000773	2-1	AG006582	1-22	AG027273	4-75
AG000773	2-11	AG006670	2-17	AG027273	4-76
AG000773	2-12	AG006671	11-4	AG027273	4-87
AG000773	2-19	AG006671	2-17	AG027273	4-93
AG000773	2-20	AG006947	2-16	AG027273	4-94
AG000773	2-3	AG006990	2-16	AG027273	4-95
AG000773	2-32	AG006991	2-16	AG027273	4-96
AG000773	2-33	AG006992	2-16	AG027273	4-97
AG000773	2-34	AG006993	2-16	AG027273	4-99
AG000773	2-36	AG006995	2-16	AG027274	12-13
AG000773	2-38	AG006997	2-16	AG027274	12-14
AG000773	2-41	AG007002	2-16	AG027274	12-33
AG000773	2-42	AG007004	2-16	AG027274	4-109
AG000773	4-48	AG007006	2-16	AG027274	4-57
AG000780	2-15	AG007007	2-16	AG027274	4-58
AG000780	2-6	AG007008	2-16	AG027274	4-59
AG000780	4-43	AG007009	2-16	AG027274	4-61
AG000789	2-15	AG007010	2-16	AG027274	4-63

NUMERIC INDEX

AG027274	4-65	AG027275	4-72	AG050517	2-5
AG027274	4-66	AG027275	4-73	AG050518	2-18
AG027274	4-67	AG027275	4-74	AG050519	2-18
AG027274	4-69	AG027275	4-75	AG050519	2-5
AG027274	4-70	AG027275	4-76	AG050520	2-18
AG027274	4-72	AG027275	4-86	AG050520	2-5
AG027274	4-73	AG027275	4-88	AG050521	2-4
AG027274	4-75	AG027275	4-93	AG050522	2-4
AG027274	4-76	AG027275	4-94	AG050523	2-4
AG027274	4-87	AG027275	4-95	AG050524	2-4
AG027274	4-93	AG027275	4-96	AG050525	2-4
AG027274	4-94	AG027275	4-97	AG050526	2-4
AG027274	4-95	AG027275	4-98	AG050527	2-4
AG027274	4-96	AG027275	4-99	AG050528	2-4
AG027274	4-97	AG027275	6-27	AG050680	12-2
AG027274	4-99	AG027275	8-2	AG050680	12-8
AG027275	1-2	AG029233	6-2	AG050681	2-10
AG027275	12-13	AG050205	11-4	AG050683	12-2
AG027275	12-14	AG050205	2-17	AG050683	12-8
AG027275	12-17	AG050206	12-2	AG050689	1-12
AG027275	12-18	AG050206	12-26	AG050689	1-17
AG027275	12-33	AG050206	12-8	AG050689	1-7
AG027275	12-47	AG050209	9-10	AG050692	1-12
AG027275	12-48	AG050253	2-14	AG050692	1-17
AG027275	12-49	AG050253	2-35	AG050692	1-7
AG027275	2-1	AG050257	11-4	AG051059	1-10
AG027275	2-32	AG050257	4-45	AG051059	11-3
AG027275	2-35	AG050257	4-46	AG051059	1-14
AG027275	2-38	AG050257	4-47	AG051059	1-15
AG027275	2-41	AG050259	12-2	AG051059	1-19
AG027275	3-4	AG050259	12-8	AG051059	1-20
AG027275	3-41	AG050260	12-6	AG051059	1-9
AG027275	3-45	AG050264	2-33	AG051059	2-11
AG027275	3-5	AG050264	2-34	AG051059	2-33
AG027275	4-100	AG050264	4-48	AG051059	2-34
AG027275	4-101	AG050269	1-12	AG051059	2-39
AG027275	4-102	AG050269	1-17	AG051059	4-103
AG027275	4-108	AG050269	1-7	AG051059	4-105
AG027275	4-109	AG050271	12-6	AG051059	4-106
AG027275	4-45	AG050273	11-1	AG051059	4-107
AG027275	4-46	AG050273	11-2	AG051059	4-111
AG027275	4-47	AG050273	11-3	AG051059	4-112
AG027275	4-49	AG050273	4-45	AG051059	4-113
AG027275	4-50	AG050273	4-46	AG051059	4-114
AG027275	4-51	AG050275	2-35	AG051059	4-23
AG027275	4-52	AG050394	2-27	AG051059	4-24
AG027275	4-53	AG050474	2-4	AG051059	4-25
AG027275	4-54	AG050475	2-18	AG051059	4-26
AG027275	4-55	AG050475	2-5	AG051059	4-27
AG027275	4-56	AG050511	2-5	AG051059	4-28
AG027275	4-58	AG050512	2-5	AG051059	4-29
AG027275	4-62	AG050513	2-18	AG051059	4-30
AG027275	4-64	AG050513	2-5	AG051059	4-31
AG027275	4-65	AG050514	2-18	AG051059	4-33
AG027275	4-67	AG050514	2-5	AG051059	4-34
AG027275	4-68	AG050515	2-18	AG051059	4-35
AG027275	4-69	AG050515	2-5	AG051059	4-36
AG027275	4-70	AG050516	2-18	AG051059	4-37
AG027275	4-71	AG050517	2-18	AG051059	4-38

NUMERIC INDEX

AG051059	4-40	AG051146	11-1	AG051182	12-26
AG051059	4-48	AG051146	11-2	AG051182	1-7
AG051059	4-89	AG051149	12-2	AG051183	11-3
AG051059	4-90	AG051149	12-8	AG051183	4-104
AG051059	4-91	AG051151	11-1	AG051183	4-110
AG051125	12-2	AG051151	11-2	AG051185	4-115
AG051125	12-8	AG051151	11-3	AG051185	4-39
AG051126	9-1	AG051153	4-103	AG051185	4-41
AG051126	9-2	AG051153	4-104	AG051185	4-92
AG051126	9-3	AG051153	4-105	AG051186	4-115
AG051127	4-103	AG051153	4-106	AG051186	4-39
AG051127	4-104	AG051153	4-107	AG051186	4-41
AG051127	4-105	AG051153	4-110	AG051186	4-45
AG051127	4-107	AG051153	4-111	AG051186	4-46
AG051127	4-110	AG051153	4-112	AG051186	4-92
AG051127	4-112	AG051153	4-113	AG051437	4-115
AG051127	4-113	AG051153	4-114	AG051437	4-39
AG051127	4-24	AG051153	4-23	AG051437	4-41
AG051127	4-25	AG051153	4-24	AG051437	4-92
AG051127	4-26	AG051153	4-25	AG051439	2-35
AG051127	4-27	AG051153	4-26	AG051442	4-23
AG051127	4-28	AG051153	4-27	AG051442	4-33
AG051127	4-29	AG051153	4-28	AG051443	4-47
AG051127	4-31	AG051153	4-29	AG051533	2-35
AG051127	4-34	AG051153	4-30	AG051534	11-1
AG051127	4-35	AG051153	4-31	AG051534	11-2
AG051127	4-37	AG051153	4-33	AG051534	11-3
AG051127	4-40	AG051153	4-34	AG051534	4-45
AG051127	4-90	AG051153	4-35	AG051534	4-46
AG051127	4-91	AG051153	4-36	AG051534	4-47
AG051128	4-45	AG051153	4-37	AG051535	4-1
AG051128	4-46	AG051153	4-40	AG051535	4-10
AG051131	12-12	AG051153	4-89	AG051535	4-11
AG051131	12-57	AG051153	4-90	AG051535	4-12
AG051133	2-35	AG051153	4-91	AG051535	4-13
AG051133	2-39	AG051155	4-28	AG051535	4-14
AG051133	2-42	AG051155	4-29	AG051535	4-15
AG051134	11-1	AG051161	11-1	AG051535	4-16
AG051134	11-2	AG051161	11-2	AG051535	4-17
AG051134	2-3	AG051161	11-3	AG051535	4-18
AG051135	1-10	AG051162	4-115	AG051535	4-19
AG051135	11-1	AG051162	4-39	AG051535	4-2
AG051135	11-2	AG051162	4-41	AG051535	4-20
AG051135	1-14	AG051162	4-92	AG051535	4-21
AG051135	1-15	AG051172	4-45	AG051535	4-22
AG051135	1-19	AG051172	4-46	AG051535	4-3
AG051135	1-20	AG051174	9-10	AG051535	4-4
AG051135	1-9	AG051175	12-4	AG051535	4-5
AG051138	1-12	AG051180	9-1	AG051535	4-6
AG051138	1-17	AG051180	9-2	AG051535	4-7
AG051138	1-7	AG051180	9-3	AG051535	4-8
AG051142	2-29	AG051180	9-4	AG051535	4-9
AG051143	2-17	AG051180	9-5	AG051536	1-12
AG051145	11-1	AG051180	9-7	AG051536	1-17
AG051145	1-12	AG051180	9-8	AG051536	1-7
AG051145	11-2	AG051180	9-9	AG051536	4-103
AG051145	11-4	AG051181	11-4	AG051536	4-104
AG051145	1-17	AG051182	1-12	AG051536	4-105
AG051145	1-7	AG051182	1-17	AG051536	4-106

NUMERIC INDEX

AG051536	4-107	AG051903	4-15	AG055120	4-43
AG051536	4-110	AG051903	4-16	AG055296	4-45
AG051536	4-111	AG051903	4-7	AG055296	4-46
AG051536	4-112	AG051903	4-8	AG055296	4-47
AG051536	4-113	AG051904	2-39	AG055912	2-12
AG051536	4-114	AG051904	4-103	AG056114	2-15
AG051536	4-115	AG051904	4-112	AG056114	4-43
AG051536	4-23	AG051904	4-113	AG056115	2-15
AG051536	4-24	AG051904	4-26	AG056115	4-43
AG051536	4-25	AG051904	4-27	AG056146	2-29
AG051536	4-26	AG051904	4-90	AG056226	2-16
AG051536	4-27	AG051910	4-1	AG056270	2-20
AG051536	4-28	AG051910	4-17	AG056275	12-2
AG051536	4-29	AG051910	4-9	AG056275	12-8
AG051536	4-30	AG051932	4-12	AG056275	2-20
AG051536	4-31	AG051932	4-13	AG056277	12-2
AG051536	4-33	AG051932	4-15	AG056277	12-8
AG051536	4-34	AG051932	4-16	AG056278	12-2
AG051536	4-35	AG051932	4-5	AG056278	12-8
AG051536	4-36	AG051932	4-6	AG056282	2-17
AG051536	4-37	AG051932	4-7	AG056283	12-27
AG051536	4-38	AG051932	4-8	AG056284	2-11
AG051536	4-39	AG051940	12-16	AG056286	12-1
AG051536	4-40	AG051940	12-20	AG056287	2-17
AG051536	4-41	AG052340	2-14	AG056289	2-34
AG051536	4-89	AG052351	2-13	AG056290	12-27
AG051536	4-90	AG052456	2-35	AG056290	12-6
AG051536	4-91	AG052456	2-42	AG056291	2-42
AG051536	4-92	AG052854	2-16	AG056292	12-27
AG051573	2-1	AG053044	2-35	AG056292	12-6
AG051573	2-12	AG053079	12-2	AG056293	12-6
AG051740	2-12	AG053079	12-8	AG056778	12-2
AG051740	9-10	AG053484	2-13	AG056778	12-8
AG051822	2-30	AG053485	2-13	AG056778	2-20
AG051884	4-1	AG053860	1-22	AG056785	12-27
AG051884	4-10	AG053860	2-30	AG056785	12-6
AG051884	4-11	AG054230	12-25	AG056785	2-11
AG051884	4-12	AG054231	12-25	AG056785	2-17
AG051884	4-13	AG054233	2-15	AG056785	2-25
AG051884	4-14	AG054233	2-6	AG056785	2-33
AG051884	4-15	AG054233	4-43	AG056785	2-34
AG051884	4-16	AG054234	1-22	AG056785	2-35
AG051884	4-17	AG054234	2-30	AG056785	2-39
AG051884	4-18	AG054234	2-6	AG056785	2-42
AG051884	4-19	AG054234	2-8	AG056785	4-48
AG051884	4-2	AG054234	4-43	AG057341	2-8
AG051884	4-20	AG054235	1-22	AG057573	12-6
AG051884	4-21	AG054235	2-15	AG057575	2-25
AG051884	4-22	AG054235	2-30	AG057586	2-17
AG051884	4-3	AG054235	2-6	AG057593	2-33
AG051884	4-4	AG054235	2-8	AG057593	2-34
AG051884	4-5	AG054235	4-43	AG057593	2-35
AG051884	4-6	AG054488	1-22	AG057593	2-39
AG051884	4-7	AG054488	2-30	AG057593	2-42
AG051884	4-8	AG054488	2-8	AG057593	4-48
AG051884	4-9	AG054822	2-30	AG057594	2-38
AG051894	2-35	AG055073	2-16	AG057764	2-2
AG051894	2-42	AG055120	2-15	AG057999	12-27
AG051901	9-10	AG055120	2-6	AG058978	2-16

NUMERIC INDEX

AG058979	2-16	AG109190	12-22	AG121924	2-7
AG059011	2-30	AG109348	3-31	AG121925	2-37
AG059018	5-39	AG109953	3-41	AG121925	2-7
AG059020	2-15	AG109953	3-45	AG121926	2-36
AG059020	4-43	AG112224	3-31	AG121926	2-37
AG059106	2-23	AG121022	3-31	AG121926	2-7
AG059148	5-39	AG121023	3-31	AG121926	3-21
AG059565	2-1	AG121024	3-31	AG121927	5-39
AG059565	2-3	AG121042	1-11	AG121929	2-36
AG059665	5-24	AG121042	1-16	AG121929	2-37
AG059914	5-42	AG121042	1-5	AG121930	2-36
AG059917	5-41	AG121042	1-6	AG121930	2-42
AG059917	5-42	AG121093	1-8	AG121934	12-51
AG060056	2-23	AG121198	6-19	AG121951	2-1
AG060083	2-27	AG121198	6-26	AG121956	2-1
AG060084	2-27	AG121228	2-17	AG121959	2-2
AG060085	2-23	AG121444	5-11	AG121960	2-2
AG060702	5-41	AG121445	2-12	AG121961	2-2
AG060702	5-42	AG121461	1-5	AG121962	2-2
AG060921	2-37	AG121461	1-6	AG122030	3-3
AG060921	2-7	AG121462	1-11	AG122030	3-30
AG061231	5-17	AG121462	1-5	AG122038	1-13
AG061231	5-20	AG121462	1-6	AG122038	1-18
AG061235	5-28	AG121463	1-11	AG122038	1-8
AG061236	5-17	AG121465	5-41	AG122116	9-11
AG061236	5-20	AG121483	5-39	AG122147	2-33
AG061236	5-22	AG121484	5-39	AG122147	2-34
AG061236	5-24	AG121485	5-39	AG122147	4-48
AG061236	5-26	AG121486	5-39	AG122148	3-4
AG061236	5-28	AG121489	5-39	AG122148	3-5
AG106152	2-35	AG121492	5-39	AG122148	3-6
AG106152	2-39	AG121493	5-39	AG122156	5-9
AG106152	2-42	AG121495	5-39	AG122157	5-1
AG108268	3-28	AG121525	1-13	AG122158	5-9
AG108268	3-3	AG121862	1-11	AG122159	5-12
AG108299	12-34	AG121864	11-1	AG122159	5-4
AG108299	12-7	AG121864	11-2	AG122159	5-9
AG108316	12-34	AG121868	6-1	AG122160	5-12
AG108316	12-7	AG121868	6-29	AG122160	5-4
AG108337	7-3	AG121868	6-3	AG122160	5-9
AG108578	3-31	AG121873	7-1	AG122191	5-1
AG108604	3-28	AG121882	2-33	AG122202	1-5
AG108604	3-3	AG121882	2-34	AG122202	1-6
AG108617	9-1	AG121882	4-48	AG122288	7-1
AG108617	9-7	AG121882	6-16	AG122309	12-33
AG108617	9-8	AG121882	6-17	AG122310	7-2
AG108618	9-1	AG121882	6-23	AG122310	7-5
AG108618	9-7	AG121883	2-35	AG122311	12-33
AG108618	9-8	AG121883	2-39	AG122328	3-4
AG108622	3-28	AG121883	2-42	AG122329	3-4
AG108622	3-3	AG121883	6-23	AG122329	3-5
AG108659	12-4	AG121920	5-39	AG122329	3-6
AG108935	3-17	AG121921	5-39	AG122330	3-4
AG108935	3-18	AG121922	2-36	AG122330	3-5
AG108935	3-19	AG121922	2-37	AG122330	3-6
AG108935	3-20	AG121922	2-7	AG122331	3-4
AG108935	9-1	AG121923	2-7	AG122331	3-5
AG108935	9-2	AG121924	2-36	AG122331	3-6
AG108935	9-3	AG121924	2-37	AG122390	5-18

NUMERIC INDEX

AG122390	5-19	AG122610	3-32	AG124285	12-7
AG122391	5-25	AG122610	3-7	AG124288	12-6
AG122392	5-16	AG122610	3-8	AG124298	5-4
AG122434	5-26	AG122611	2-1	AG124433	6-24
AG122436	5-17	AG122629	6-30	AG124450	12-7
AG122448	5-20	AG122651	2-10	AG124575	12-29
AG122450	3-5	AG122657	12-11	AG124866	12-53
AG122453	8-2	AG122657	12-15	AG124868	12-53
AG122500	3-8	AG122657	12-19	AG125811	5-39
AG122510	4-32	AG122657	12-56	AG126092	12-32
AG122511	12-10	AG122859	11-1	AG126092	7-6
AG122511	12-9	AG122859	11-2	AG126096	12-30
AG122511	3-7	AG122859	11-3	AG126096	12-31
AG122511	3-8	AG122879	11-3	AG126234	7-5
AG122512	3-4	AG122957	3-32	AG126326	5-23
AG122512	3-6	AG122957	3-8	AG126884	3-17
AG122513	12-10	AG122957	4-85	AG126884	3-18
AG122513	3-32	AG122958	3-7	AG126884	3-19
AG122513	4-85	AG122979	12-9	AG126884	3-20
AG122514	3-4	AG122980	12-10	AG126884	3-33
AG122514	3-6	AG122980	12-9	AG126884	3-37
AG122515	3-6	AG122992	4-53	AG127749	5-24
AG122516	3-8	AG122992	4-54	AG127816	1-7
AG122517	3-7	AG123003	7-1	AG127817	1-12
AG122518	12-9	AG123004	3-1	AG127818	1-17
AG122518	3-7	AG123004	3-2	AG127819	1-5
AG122519	12-10	AG123005	3-3	AG127819	1-6
AG122519	12-9	AG123006	3-25	AG127820	1-11
AG122519	3-7	AG123029	4-48	AG127821	1-16
AG122519	3-8	AG123068	2-29	AG127822	1-5
AG122520	12-10	AG123070	2-31	AG127822	1-6
AG122520	12-9	AG123071	2-31	AG127823	1-11
AG122520	3-32	AG123072	2-31	AG127824	1-16
AG122520	3-7	AG123073	2-31	AG127825	1-13
AG122520	3-8	AG123074	5-3	AG127825	1-18
AG122520	4-85	AG123389	5-2	AG127825	1-8
AG122521	12-10	AG123435	5-4	AG127826	1-13
AG122521	12-9	AG123592	12-21	AG127826	1-18
AG122521	3-32	AG123593	12-22	AG127826	1-8
AG122521	3-7	AG123646	1-1	AG127827	1-13
AG122521	3-8	AG123647	1-2	AG127827	1-8
AG122521	4-85	AG123648	1-2	AG127828	1-13
AG122561	8-2	AG123649	1-2	AG127828	1-8
AG122562	2-1	AG123760	1-1	AG127829	1-18
AG122564	3-7	AG123762	1-1	AG127830	1-18
AG122564	3-8	AG123805	1-13	AG127831	1-13
AG122565	12-10	AG123805	1-18	AG127831	1-18
AG122565	12-9	AG123805	1-8	AG127831	1-8
AG122571	3-8	AG123944	12-22	AG127832	1-5
AG122592	6-17	AG123996	12-21	AG127832	1-6
AG122606	12-10	AG123999	12-21	AG127833	1-11
AG122606	4-85	AG124033	5-9	AG127834	1-16
AG122607	12-10	AG124036	6-7	AG127882	1-11
AG122607	4-85	AG124169	2-12	AG127882	1-16
AG122608	12-9	AG124279	12-7	AG127882	1-5
AG122608	3-32	AG124280	12-7	AG127882	1-6
AG122609	12-10	AG124281	12-6	AG128011	1-13
AG122609	12-9	AG124282	12-7	AG128011	1-8
AG122609	4-85	AG124283	12-7	AG128103	1-10

NUMERIC INDEX

AG128103	1-9	AG129187	12-56	AG129187	4-36
AG128108	1-5	AG129187	12-57	AG129187	4-37
AG128108	1-6	AG129187	12-6	AG129187	4-38
AG128109	1-5	AG129187	12-8	AG129187	4-39
AG128109	1-6	AG129187	1-7	AG129187	4-4
AG128110	1-5	AG129187	1-9	AG129187	4-40
AG128110	1-6	AG129187	2-10	AG129187	4-41
AG128111	1-5	AG129187	2-11	AG129187	4-47
AG128111	1-6	AG129187	2-12	AG129187	4-48
AG128264	1-10	AG129187	2-14	AG129187	4-5
AG128264	1-14	AG129187	2-17	AG129187	4-6
AG128264	1-15	AG129187	2-19	AG129187	4-7
AG128264	1-19	AG129187	2-21	AG129187	4-8
AG128264	1-20	AG129187	2-29	AG129187	4-89
AG128264	1-9	AG129187	2-33	AG129187	4-9
AG128265	1-11	AG129187	2-34	AG129187	4-90
AG128266	1-11	AG129187	2-35	AG129187	4-91
AG128268	1-14	AG129187	2-39	AG129187	4-92
AG128268	1-15	AG129187	2-42	AG129187	9-1
AG128269	1-11	AG129187	4-1	AG129187	9-10
AG128270	1-11	AG129187	4-10	AG129187	9-11
AG128490	1-16	AG129187	4-103	AG129187	9-2
AG128491	1-16	AG129187	4-104	AG129187	9-3
AG128492	1-16	AG129187	4-105	AG129187	9-4
AG128493	1-16	AG129187	4-106	AG129187	9-5
AG128495	1-19	AG129187	4-107	AG129187	9-7
AG128510	1-20	AG129187	4-11	AG129187	9-8
AG128771	2-25	AG129187	4-110	AG129187	9-9
AG128842	3-35	AG129187	4-111	AG129192	3-34
AG128843	2-11	AG129187	4-112	AG129192	3-38
AG128843	3-35	AG129187	4-113	AG129193	3-34
AG128977	2-14	AG129187	4-114	AG129193	3-38
AG128979	2-11	AG129187	4-115	AG129928	5-26
AG129132	2-11	AG129187	4-12	AG129947	12-12
AG129187	1-10	AG129187	4-13	AG129947	12-16
AG129187	11-1	AG129187	4-14	AG129947	12-20
AG129187	1-12	AG129187	4-15	AG129947	12-57
AG129187	11-2	AG129187	4-16	AG129957	3-22
AG129187	11-3	AG129187	4-17	AG129988	2-14
AG129187	1-14	AG129187	4-18	AG130567	6-27
AG129187	1-15	AG129187	4-19	AG131011	2-14
AG129187	1-17	AG129187	4-2	AG131014	1-4
AG129187	1-19	AG129187	4-20	AG131015	1-4
AG129187	1-20	AG129187	4-21	AG131381	7-4
AG129187	1-21	AG129187	4-22	AG131407	7-4
AG129187	12-11	AG129187	4-23	AG131408	7-4
AG129187	12-12	AG129187	4-24	AG131465	3-26
AG129187	12-15	AG129187	4-25	AG131466	3-26
AG129187	12-16	AG129187	4-26	AG131467	3-26
AG129187	12-19	AG129187	4-27	AG131468	3-26
AG129187	12-2	AG129187	4-28	AG131469	3-26
AG129187	12-20	AG129187	4-29	AG131470	3-26
AG129187	12-21	AG129187	4-3	AG131471	3-26
AG129187	12-22	AG129187	4-30	AG131472	3-26
AG129187	12-26	AG129187	4-31	AG131473	3-26
AG129187	1-23	AG129187	4-32	AG131474	3-26
AG129187	12-3	AG129187	4-33	AG131475	3-26
AG129187	12-34	AG129187	4-34	AG131476	3-26
AG129187	12-4	AG129187	4-35	AG131486	2-16

NUMERIC INDEX

AG131487	2-16	AG132137	5-37	AG134644	3-7
AG131494	2-16	AG132138	5-37	AG134645	12-9
AG131550	5-26	AG132139	5-37	AG134645	3-7
AG131551	5-26	AG132140	5-37	AG134646	12-9
AG131593	5-26	AG132141	5-37	AG134646	3-7
AG131608	5-26	AG132375	2-28	AG134647	12-9
AG131609	5-26	AG132376	2-28	AG134647	3-7
AG131680	2-3	AG132377	2-28	AG134648	12-9
AG131681	12-28	AG132378	2-28	AG134648	3-7
AG131682	12-28	AG132615	5-14	AG134649	3-7
AG131683	12-28	AG132620	5-13	AG134650	3-7
AG131731	2-36	AG134004	1-18	AG134651	12-10
AG131731	2-37	AG134017	2-11	AG134651	3-8
AG131732	2-36	AG134018	2-17	AG134651	4-85
AG131732	2-37	AG134024	1-10	AG134652	12-10
AG131733	2-36	AG134024	1-9	AG134652	3-8
AG131733	2-37	AG134025	1-14	AG134652	4-85
AG131734	2-36	AG134025	1-15	AG134653	12-10
AG131734	2-37	AG134026	1-19	AG134653	3-8
AG131735	2-36	AG134026	1-20	AG134653	4-85
AG131735	2-37	AG134091	6-28	AG134654	12-10
AG131736	2-36	AG134119	6-27	AG134654	3-8
AG131737	2-36	AG134124	6-26	AG134655	3-8
AG131737	2-37	AG134191	2-12	AG134656	3-8
AG131738	2-36	AG134343	12-21	AG134657	12-9
AG131738	2-37	AG134343	2-19	AG134658	12-9
AG131739	2-36	AG134357	2-20	AG134659	12-10
AG131739	2-37	AG134603	12-12	AG134667	12-10
AG131739	3-21	AG134604	12-19	AG134667	3-7
AG131743	2-36	AG134605	12-13	AG134667	3-8
AG131743	2-37	AG134605	12-14	AG134667	4-85
AG131743	3-21	AG134620	3-4	AG134668	12-11
AG131744	2-36	AG134621	3-4	AG134669	12-15
AG131744	2-37	AG134622	3-4	AG134670	12-11
AG131744	3-21	AG134623	3-4	AG134747	12-11
AG131745	2-36	AG134624	3-4	AG134753	12-16
AG131745	2-37	AG134625	3-4	AG134756	12-17
AG131745	3-21	AG134626	3-4	AG134756	12-18
AG131746	2-36	AG134627	3-4	AG134845	12-15
AG131746	2-37	AG134628	3-5	AG134845	12-19
AG131746	3-21	AG134629	3-5	AG134846	12-15
AG131747	2-36	AG134630	3-5	AG134846	12-19
AG131747	2-37	AG134631	3-5	AG134849	12-20
AG131747	3-21	AG134632	3-5	AG134850	4-104
AG131748	2-36	AG134633	3-5	AG134850	4-40
AG131748	2-37	AG134634	3-5	AG135911	2-24
AG131748	3-21	AG134635	3-5	AG135913	12-23
AG131776	2-37	AG134636	3-6	AG135916	12-25
AG132126	5-37	AG134637	3-6	AG135917	12-25
AG132127	5-37	AG134638	3-6	AG135919	12-24
AG132128	5-37	AG134639	3-6	AG135942	9-11
AG132129	5-37	AG134640	3-6	AG136118	12-26
AG132130	5-37	AG134641	3-6	AG136119	9-11
AG132131	5-37	AG134642	12-9	AG136120	12-26
AG132132	5-37	AG134642	3-32	AG136326	12-35
AG132133	5-37	AG134642	3-7	AG136326	12-40
AG132134	5-37	AG134643	12-9	AG136327	12-35
AG132135	5-37	AG134643	3-7	AG136327	12-40
AG132136	5-37	AG134644	12-9	AG136328	12-35

NUMERIC INDEX

AG136328	12-40	AG136979	3-37	AG209384	3-39
AG136329	12-35	AG136980	3-37	AG209384	3-41
AG136329	12-40	AG136981	3-33	AG209384	3-44
AG136330	12-35	AG136982	3-44	AG209384	3-45
AG136330	12-40	AG136983	3-39	AG215900	12-25
AG136331	12-35	AG136987	3-33	AG216853	1-24
AG136331	12-40	AG136987	3-37	AG217489	4-21
AG136364	5-12	AG136988	3-40	AG217494	4-5
AG136702	3-31	AG136992	3-40	AG217494	4-6
AG136740	12-37	AG136993	3-33	AG217585	9-1
AG136741	3-28	AG136994	3-37	AG217585	9-2
AG136741	3-3	AG136995	3-41	AG217585	9-3
AG136742	5-29	AG136996	3-45	AG217585	9-7
AG136743	5-30	AG137424	5-37	AG217585	9-8
AG136749	3-29	AG138348	5-22	AG217586	9-1
AG136788	3-34	AG138348	5-24	AG217586	9-2
AG136788	3-38	AG138370	5-20	AG217586	9-3
AG136809	3-33	AG138398	5-28	AG217586	9-7
AG136810	3-37	AG138400	5-26	AG217586	9-8
AG136814	3-38	AG138401	5-26	AG217597	4-1
AG136815	3-34	AG138402	5-26	AG217598	4-1
AG136816	3-37	AG138416	5-24	AG217599	4-2
AG136817	3-33	AG139087	5-38	AG217599	4-3
AG136818	3-34	AG139107	5-36	AG217603	4-5
AG136818	3-38	AG139429	3-21	AG217603	4-6
AG136819	3-35	AG139430	3-21	AG217605	4-4
AG136820	3-33	AG139431	3-21	AG217605	4-7
AG136820	3-37	AG139432	3-21	AG217605	4-8
AG136821	5-34	AG139433	3-21	AG217609	3-4
AG136822	5-35	AG139434	3-21	AG217609	3-5
AG136823	3-29	AG139435	3-21	AG217610	4-12
AG136824	3-29	AG139436	3-21	AG217610	4-13
AG136825	5-31	AG139437	3-21	AG217610	4-5
AG136825	5-32	AG139438	3-21	AG217610	4-6
AG136826	5-33	AG139439	3-21	AG217611	4-7
AG136827	3-27	AG139440	3-21	AG217611	4-8
AG136946	3-29	AG139441	3-21	AG217612	4-7
AG136947	3-33	AG139442	3-21	AG217612	4-8
AG136947	3-37	AG139443	3-21	AG217616	4-18
AG136949	3-29	AG139444	3-21	AG217616	4-19
AG136965	12-35	AG139445	3-21	AG217616	4-22
AG136965	12-39	AG139446	3-21	AG217622	4-22
AG136966	3-33	AG139447	3-21	AG217642	9-2
AG136966	3-37	AG139448	3-21	AG217643	4-12
AG136967	3-33	AG139449	3-21	AG217643	4-13
AG136967	3-37	AG200557	3-1	AG217645	4-9
AG136969	3-33	AG200557	3-2	AG217646	4-9
AG136969	3-37	AG200557	3-27	AG217648	4-14
AG136970	3-33	AG200573	3-1	AG217649	4-15
AG136970	3-37	AG200573	3-2	AG217649	4-16
AG136971	3-33	AG200573	3-27	AG217650	4-15
AG136971	3-37	AG201588	10-1	AG217650	4-16
AG136972	3-33	AG201588	10-2	AG217651	4-15
AG136972	3-37	AG201596	3-31	AG217651	4-16
AG136974	3-42	AG209384	12-50	AG217656	9-2
AG136977	3-42	AG209384	3-17	AG220023	12-35
AG136978	3-33	AG209384	3-18	AG220023	12-40
AG136978	3-37	AG209384	3-19	AG220023	5-8
AG136979	3-33	AG209384	3-20	AG228236	3-15

NUMERIC INDEX

AG228236	3-16	AG231204	4-45	AG232784	4-64
AG228237	3-15	AG231204	4-46	AG232784	4-68
AG228237	3-16	AG231204	4-47	AG232784	4-71
AG229555	10-1	AG231204	4-48	AG232784	4-74
AG229555	10-2	AG231204	4-49	AG232784	4-86
AG229581	3-31	AG231204	4-50	AG232797	3-17
AG229625	3-31	AG231204	4-51	AG232797	3-18
AG229630	3-31	AG231204	4-52	AG232797	3-19
AG229633	3-31	AG231204	4-54	AG232797	3-20
AG229637	3-31	AG231204	4-56	AG232935	7-1
AG229652	3-28	AG231204	4-58	AG232940	4-4
AG229652	3-3	AG231204	4-59	AG233057	3-15
AG229659	3-3	AG231204	4-61	AG233057	3-16
AG229660	3-29	AG231204	4-62	AG233057	3-17
AG229660	3-3	AG231204	4-63	AG233057	3-18
AG229661	3-28	AG231204	4-64	AG233057	3-19
AG229661	3-29	AG231204	4-65	AG233057	3-20
AG229661	3-3	AG231204	4-66	AG233237	4-20
AG229828	3-15	AG231204	4-67	AG234240	9-10
AG229828	3-16	AG231204	4-68	AG234310	8-2
AG229837	3-31	AG231204	4-69	AG234372	4-10
AG229896	3-31	AG231204	4-70	AG234372	4-11
AG229905	3-15	AG231204	4-71	AG234373	4-102
AG229905	3-16	AG231204	4-72	AG234373	4-108
AG230095	12-27	AG231204	4-73	AG234373	4-63
AG230095	12-6	AG231204	4-74	AG234373	4-67
AG230129	3-17	AG231204	4-75	AG234373	4-75
AG230129	3-18	AG231204	4-76	AG234373	4-87
AG230129	3-19	AG231204	4-88	AG234373	4-97
AG230129	3-20	AG231204	4-93	AG234375	4-109
AG230129	3-33	AG231204	4-94	AG234375	4-57
AG230129	3-37	AG231204	4-96	AG234375	4-58
AG230237	3-17	AG231204	4-99	AG234375	4-61
AG230237	3-18	AG231204	8-2	AG234375	4-65
AG230237	3-19	AG231204	9-1	AG234375	4-66
AG230237	3-20	AG231204	9-2	AG234375	4-69
AG230238	3-17	AG231204	9-3	AG234375	4-70
AG230238	3-18	AG231205	12-49	AG234375	4-72
AG230238	3-19	AG231211	4-17	AG234375	4-73
AG230238	3-20	AG231212	4-17	AG234375	4-76
AG230263	3-17	AG231940	6-2	AG234375	4-93
AG230263	3-18	AG232241	3-17	AG234375	4-96
AG230263	3-19	AG232241	3-18	AG234375	4-99
AG230312	3-17	AG232241	3-19	AG234462	4-114
AG230312	3-18	AG232241	3-20	AG234489	2-33
AG230312	3-19	AG232718	9-1	AG234489	2-34
AG230312	3-43	AG232718	9-2	AG234489	4-32
AG230314	2-1	AG232718	9-3	AG234703	10-1
AG230314	2-3	AG232784	4-100	AG234703	10-2
AG231204	12-47	AG232784	4-101	AG234787	4-103
AG231204	12-48	AG232784	4-49	AG234787	4-112
AG231204	2-33	AG232784	4-50	AG234787	4-113
AG231204	2-34	AG232784	4-51	AG234787	4-90
AG231204	3-4	AG232784	4-52	AG235431	4-38
AG231204	3-5	AG232784	4-53	AG235467	6-2
AG231204	4-101	AG232784	4-54	AG235885	12-35
AG231204	4-102	AG232784	4-55	AG235885	12-40
AG231204	4-108	AG232784	4-56	AG235928	6-14
AG231204	4-109	AG232784	4-62	AG235991	3-15

NUMERIC INDEX

AG235991	3-16	AG239933	4-27	AG261322	4-46
AG236590	3-31	AG239933	4-28	AG261322	4-53
AG236591	3-31	AG239933	4-29	AG261322	4-55
AG236593	5-8	AG239934	4-26	AG261322	4-57
AG236612	5-8	AG239934	4-27	AG261322	4-95
AG236941	6-22	AG239935	4-24	AG261322	4-98
AG236956	6-22	AG239935	4-25	AG261799	3-17
AG236984	6-30	AG239935	4-28	AG261799	3-18
AG237562	10-1	AG239935	4-29	AG261799	3-19
AG237562	10-2	AG239935	4-89	AG261799	3-20
AG237653	12-2	AG239936	4-103	AG261821	3-29
AG237653	12-8	AG239936	4-105	AG261821	3-3
AG238431	4-10	AG239936	4-24	AG261822	3-29
AG238431	4-11	AG239936	4-25	AG261822	3-3
AG238498	4-12	AG239936	4-31	AG262319	12-35
AG238498	4-13	AG239936	4-90	AG262319	12-40
AG238499	4-12	AG239936	4-91	AG262365	12-35
AG238499	4-13	AG239937	4-104	AG262365	12-40
AG238719	6-22	AG239937	4-106	AG262365	5-8
AG238721	6-21	AG239937	4-23	AG262366	12-35
AG238722	6-21	AG239937	4-30	AG262366	12-40
AG238735	6-22	AG239937	4-39	AG262366	5-8
AG238819	10-1	AG239937	4-40	AG262367	12-35
AG239298	12-35	AG239938	4-23	AG262367	12-40
AG239298	12-40	AG239938	4-26	AG262367	5-8
AG239298	5-8	AG239938	4-27	AG262368	5-8
AG239692	12-22	AG260019	12-2	AG262372	3-31
AG239721	4-107	AG260019	12-8	AG262382	2-29
AG239721	4-110	AG260021	12-3	AG262418	1-13
AG239721	4-114	AG260022	12-3	AG262418	1-18
AG239721	4-115	AG260121	10-1	AG262418	1-8
AG239721	4-33	AG260221	3-31	AG262422	5-10
AG239721	4-36	AG260239	4-45	AG262423	5-5
AG239721	4-37	AG260239	4-46	AG262426	1-16
AG239721	4-41	AG260241	4-45	AG262427	1-16
AG239722	4-111	AG260241	4-46	AG262472	2-14
AG239722	4-34	AG260241	4-47	AG262492	2-17
AG239722	4-35	AG260458	4-45	AG262936	3-3
AG239723	4-111	AG260458	4-46	AG262937	12-33
AG239723	4-112	AG260461	4-45	AG262985	3-17
AG239723	4-113	AG260461	4-46	AG262985	3-18
AG239723	4-34	AG260508	2-35	AG262985	3-19
AG239723	4-35	AG260590	3-15	AG262985	3-20
AG239791	4-18	AG260590	3-16	AG262985	3-43
AG239791	4-19	AG260592	3-15	AG262997	3-29
AG239792	4-14	AG260592	3-16	AG262997	3-3
AG239873	8-2	AG260631	3-15	AG263036	3-19
AG239874	8-2	AG260631	3-16	AG263036	3-20
AG239928	4-59	AG260770	3-17	AG263036	3-33
AG239929	4-31	AG260770	3-18	AG263036	3-37
AG239929	4-89	AG260770	3-19	AG263053	3-17
AG239930	4-30	AG260770	3-20	AG263053	3-18
AG239930	4-39	AG260770	3-33	AG263053	3-19
AG239930	4-92	AG260770	3-37	AG263053	3-20
AG239931	4-28	AG260869	10-1	AG263217	3-23
AG239931	4-29	AG260869	10-2	AG263222	3-31
AG239932	4-28	AG260899	3-3	AG308378	3-15
AG239932	4-29	AG260900	3-3	AG308378	3-16
AG239933	4-26	AG261322	4-45	AG308378	3-17

NUMERIC INDEX

AG308378	3-18	AG327804	5-7	AG424952	5-21
AG308378	3-19	AG327846	3-31	AG425341	3-24
AG308378	3-20	AG327850	12-21	AG425342	3-24
AG309261	12-34	AG327850	2-19	AG425345	3-24
AG309923	3-17	AG327857	2-17	AG426003	4-82
AG309923	3-18	AG327860	6-10	AG426003	4-83
AG309923	3-19	AG327860	6-25	AG426004	4-79
AG309923	3-20	AG327861	3-1	AG426004	4-81
AG309923	3-33	AG327928	12-21	AG426005	4-80
AG309923	3-37	AG327928	2-19	AG426006	4-80
AG309966	3-17	AG328690	5-15	AG426006	4-84
AG309966	3-19	AG328772	3-23	AG426009	4-84
AG309966	3-37	AG328788	3-23	AG501329	12-8
AG309967	3-18	AG328805	3-29	AG501330	12-2
AG309967	3-20	AG328805	3-3	AG501330	12-8
AG309967	3-33	AG328806	3-29	AG501336	12-2
AG311914	2-35	AG328806	3-3	AG502342	12-5
AG311914	2-39	AG328859	11-1	AG503468	3-16
AG311914	2-42	AG328859	11-2	AG503469	3-15
AG322370	6-2	AG328960	12-27	AG503510	3-16
AG322562	6-13	AG330211	12-38	AG503511	3-15
AG322563	6-13	AG330594	12-25	AG504006	3-16
AG322712	6-13	AG330595	12-25	AG504007	3-15
AG324064	12-5	AG402427	9-10	AG504229	12-15
AG324196	12-30	AG405382	9-10	AG504291	6-8
AG324196	12-31	AG407649	3-25	AG504293	1-1
AG324269	6-22	AG407963	2-39	AG504293	6-16
AG326175	2-35	AG420146	7-3	AG504293	6-17
AG326175	2-42	AG420185	6-13	AG504293	6-23
AG326187	4-45	AG420189	6-13	AG504293	6-6
AG326187	4-46	AG420264	6-3	AG504293	6-9
AG326225	4-47	AG423007	4-45	AG504293	7-1
AG326276	4-45	AG423007	4-46	AG504293	7-4
AG326276	4-46	AG423384	4-45	AG504298	12-32
AG326423	3-17	AG423384	4-46	AG504298	7-6
AG326423	3-18	AG423867	11-1	AG504299	12-11
AG326423	3-19	AG423867	11-2	AG504299	12-19
AG326423	3-20	AG423867	11-3	AG504299	6-16
AG326925	12-52	AG424056	6-6	AG504299	6-20
AG327247	12-33	AG424252	12-36	AG504299	6-9
AG327314	3-29	AG424252	5-7	AG504350	3-3
AG327314	3-3	AG424287	6-20	AG504507	3-18
AG327315	3-29	AG424287	6-9	AG504507	3-20
AG327315	3-3	AG424319	5-6	AG504508	3-17
AG327737	1-1	AG424336	6-7	AG504508	3-19
AG327737	6-10	AG424364	2-11	AG504509	3-20
AG327762	6-9	AG424374	5-27	AG504510	3-19
AG327785	12-21	AG424380	7-2	AG504542	3-17
AG327785	2-19	AG424381	1-18	AG504543	3-18
AG327787	3-31	AG424387	1-13	AG504622	3-3
AG327788	3-31	AG424387	1-18	AG504795	3-23
AG327789	3-31	AG424387	1-8	AG511021	8-1
AG327790	3-31	AG424445	12-27	AG511021	8-3
AG327802	3-3	AG424494	1-16	AG511099	12-34
AG327802	5-8	AG424522	2-38	AG511099	12-42
AG327802	6-8	AG424522	6-16	AG511099	12-50
AG327803	12-36	AG424522	6-17	AG511099	12-7
AG327803	5-7	AG424522	6-23	AG511099	3-15
AG327804	12-36	AG424524	2-32	AG511099	3-16

NUMERIC INDEX

AG511099	3-17	AG512230	9-4	AG513679	1-9
AG511099	3-18	AG512230	9-5	AG513679	3-33
AG511099	3-19	AG512230	9-7	AG513679	3-37
AG511099	3-20	AG512230	9-8	AG513689	2-11
AG511099	3-29	AG512230	9-9	AG513722	2-35
AG511099	3-3	AG512346	1-11	AG513859	1-21
AG511099	3-30	AG512346	1-16	AG514014	9-6
AG511099	3-33	AG512346	1-5	AG514243	9-10
AG511099	3-37	AG512346	1-6	AG514288	8-1
AG511528	1-11	AG512346	3-15	AG514288	8-3
AG511528	11-1	AG512346	3-16	AG514326	3-23
AG511528	11-2	AG512346	3-17	AG514342	12-51
AG511528	11-3	AG512346	3-18	AG514342	12-52
AG511528	11-4	AG512346	3-19	AG514446	12-51
AG511528	1-16	AG512346	3-20	AG514446	12-52
AG511528	12-10	AG512346	3-33	AG514554	1-13
AG511528	12-9	AG512346	3-37	AG514554	1-18
AG511528	1-5	AG512362	9-10	AG514554	1-8
AG511528	1-6	AG512370	9-10	AG514554	3-17
AG511528	2-11	AG512885	12-34	AG514554	3-18
AG511528	2-33	AG512885	12-7	AG514554	3-19
AG511528	2-34	AG512885	3-17	AG514554	3-20
AG511528	3-32	AG512885	3-18	AG514554	3-33
AG511528	3-4	AG512885	3-19	AG514554	3-37
AG511528	3-5	AG512885	3-20	AG514554	3-42
AG511528	3-6	AG512885	3-29	AG514559	1-11
AG511528	3-7	AG512885	3-3	AG514559	1-16
AG511528	3-8	AG512885	3-33	AG514559	1-5
AG511528	4-48	AG512885	3-37	AG514559	1-6
AG511528	4-85	AG512885	5-10	AG514559	3-29
AG511528	9-1	AG512885	5-13	AG514559	3-3
AG511528	9-2	AG512885	5-2	AG514559	3-40
AG511528	9-3	AG513083	9-6	AG514567	12-42
AG511528	9-4	AG513385	12-21	AG514800	12-36
AG511528	9-5	AG513385	2-19	AG514800	5-16
AG511528	9-7	AG513385	2-29	AG514800	5-7
AG511528	9-8	AG513393	11-1	AG514814	3-29
AG511528	9-9	AG513393	11-2	AG514814	3-3
AG511722	1-12	AG513393	11-3	AG514814	3-30
AG511722	1-17	AG513393	12-10	AG515001	9-1
AG511722	12-21	AG513393	12-27	AG515001	9-2
AG511722	1-7	AG513393	12-6	AG515001	9-3
AG511722	2-1	AG513393	12-9	AG515044	6-6
AG511722	2-11	AG513393	3-32	AG515121	1-11
AG511722	2-19	AG513393	4-45	AG515121	1-16
AG511722	2-3	AG513393	4-46	AG515121	12-13
AG511722	2-32	AG513393	4-47	AG515121	12-14
AG511722	2-41	AG513393	4-85	AG515121	12-17
AG511730	2-11	AG513466	2-38	AG515121	12-18
AG512141	12-26	AG513466	4-47	AG515121	12-33
AG512230	11-1	AG513679	1-10	AG515121	1-6
AG512230	11-2	AG513679	1-11	AG515121	2-1
AG512230	11-3	AG513679	1-14	AG515121	2-32
AG512230	4-45	AG513679	1-15	AG515121	2-35
AG512230	4-46	AG513679	1-16	AG515121	2-38
AG512230	4-47	AG513679	1-19	AG515121	2-41
AG512230	9-1	AG513679	1-20	AG515121	3-4
AG512230	9-2	AG513679	1-5	AG515121	3-41
AG512230	9-3	AG513679	1-6	AG515121	3-45

NUMERIC INDEX

AG515121	3-5	AG515123	6-19	AG516060	3-24
AG515121	4-100	AG515123	6-2	AG516105	3-24
AG515121	4-101	AG515123	6-26	AG516106	3-15
AG515121	4-102	AG515123	7-2	AG516106	3-16
AG515121	4-108	AG515123	7-5	AG516106	3-17
AG515121	4-109	AG515140	12-33	AG516106	3-18
AG515121	4-45	AG515140	2-1	AG516106	3-19
AG515121	4-46	AG515140	2-17	AG516106	3-20
AG515121	4-47	AG515140	6-27	AG516106	3-33
AG515121	4-49	AG515173	1-1	AG516106	3-37
AG515121	4-50	AG515210	1-24	AG516181	12-3
AG515121	4-51	AG515274	3-15	AG516206	8-2
AG515121	4-52	AG515274	3-16	AG516229	8-2
AG515121	4-53	AG515274	3-17	AG516229	8-3
AG515121	4-54	AG515274	3-18	AG516229	9-11
AG515121	4-55	AG515274	3-19	AG516230	8-2
AG515121	4-56	AG515274	3-20	AG516230	9-11
AG515121	4-58	AG515274	3-33	AG516231	8-3
AG515121	4-62	AG515274	3-37	AG516231	9-11
AG515121	4-64	AG515277	12-26	AG516233	9-11
AG515121	4-65	AG515295	11-1	AG516402	8-2
AG515121	4-67	AG515295	11-2	AG516403	1-10
AG515121	4-68	AG515295	11-3	AG516403	1-14
AG515121	4-69	AG515310	6-2	AG516403	1-15
AG515121	4-70	AG515352	3-15	AG516403	1-19
AG515121	4-71	AG515352	3-16	AG516403	1-20
AG515121	4-72	AG515352	3-17	AG516403	12-47
AG515121	4-73	AG515352	3-18	AG516403	12-48
AG515121	4-74	AG515352	3-19	AG516403	12-49
AG515121	4-75	AG515352	3-20	AG516403	12-7
AG515121	4-76	AG515352	3-29	AG516403	1-9
AG515121	4-86	AG515352	3-3	AG516403	2-1
AG515121	4-88	AG515352	3-33	AG516403	2-33
AG515121	4-93	AG515352	3-37	AG516403	2-34
AG515121	4-94	AG515414	2-12	AG516403	3-3
AG515121	4-95	AG515449	9-1	AG516403	3-30
AG515121	4-96	AG515449	9-2	AG516403	3-4
AG515121	4-97	AG515449	9-3	AG516403	3-5
AG515121	4-98	AG515449	9-4	AG516403	4-100
AG515121	4-99	AG515449	9-5	AG516403	4-101
AG515121	6-19	AG515449	9-7	AG516403	4-102
AG515121	6-2	AG515449	9-8	AG516403	4-108
AG515121	6-27	AG515449	9-9	AG516403	4-109
AG515121	6-28	AG515669	2-10	AG516403	4-45
AG515121	7-2	AG515697	12-32	AG516403	4-46
AG515121	7-5	AG515697	7-6	AG516403	4-47
AG515121	8-2	AG515698	12-32	AG516403	4-48
AG515122	1-11	AG515698	7-6	AG516403	4-49
AG515122	1-16	AG515756	12-30	AG516403	4-50
AG515122	1-6	AG515756	12-31	AG516403	4-51
AG515122	6-19	AG515764	9-6	AG516403	4-52
AG515122	6-2	AG515851	9-6	AG516403	4-53
AG515122	6-26	AG515981	1-21	AG516403	4-54
AG515122	6-28	AG515981	1-23	AG516403	4-55
AG515122	6-4	AG515981	2-17	AG516403	4-56
AG515122	6-5	AG515981	3-24	AG516403	4-57
AG515122	7-2	AG516060	1-21	AG516403	4-58
AG515122	7-5	AG516060	1-23	AG516403	4-59
AG515123	12-29	AG516060	2-17	AG516403	4-61

NUMERIC INDEX

AG516403	4-62	AG516405	4-36	AG518088	6-14
AG516403	4-63	AG516405	4-37	AG518088	7-3
AG516403	4-64	AG516405	4-39	AG518092	3-28
AG516403	4-65	AG516405	4-40	AG518092	3-3
AG516403	4-66	AG516405	4-41	AG518195	2-14
AG516403	4-67	AG516405	4-89	AG518218	12-26
AG516403	4-68	AG516405	4-90	AG518236	12-22
AG516403	4-69	AG516405	4-91	AG518292	1-10
AG516403	4-70	AG516405	4-92	AG518292	1-14
AG516403	4-71	AG516478	8-1	AG518292	1-15
AG516403	4-72	AG516481	2-1	AG518292	1-19
AG516403	4-73	AG516481	8-3	AG518292	1-20
AG516403	4-74	AG516567	1-11	AG518292	1-9
AG516403	4-75	AG516567	1-16	AG518292	2-1
AG516403	4-76	AG516567	1-6	AG518326	12-17
AG516403	4-86	AG516568	1-11	AG518326	12-18
AG516403	4-87	AG516568	1-16	AG518326	4-49
AG516403	4-88	AG516568	1-6	AG518326	4-50
AG516403	4-93	AG516611	2-9	AG518326	4-51
AG516403	4-94	AG516643	8-1	AG518326	4-52
AG516403	4-95	AG516864	12-53	AG518326	4-53
AG516403	4-96	AG517044	2-14	AG518326	4-55
AG516403	4-97	AG517157	9-11	AG518326	4-56
AG516403	4-98	AG517158	9-11	AG518339	2-38
AG516403	4-99	AG517159	9-11	AG518340	12-21
AG516403	8-2	AG517219	9-11	AG518340	2-19
AG516403	9-1	AG517248	3-28	AG518340	2-35
AG516403	9-2	AG517248	3-3	AG518358	3-3
AG516403	9-3	AG517396	7-3	AG518358	3-30
AG516403	9-5	AG517420	6-14	AG518413	9-10
AG516405	1-10	AG517421	6-13	AG518425	4-45
AG516405	1-14	AG517467	9-6	AG518425	4-46
AG516405	1-15	AG517536	12-34	AG518425	4-47
AG516405	1-19	AG517536	12-7	AG518491	6-19
AG516405	1-20	AG517602	4-5	AG518492	12-47
AG516405	1-9	AG517602	4-6	AG518492	12-48
AG516405	4-103	AG517793	3-15	AG518492	12-49
AG516405	4-104	AG517793	3-16	AG518500	3-34
AG516405	4-105	AG517793	3-17	AG518500	3-38
AG516405	4-106	AG517793	3-18	AG518504	2-12
AG516405	4-107	AG517793	3-19	AG518507	2-38
AG516405	4-110	AG517793	3-20	AG518507	4-45
AG516405	4-111	AG517793	3-33	AG518507	4-46
AG516405	4-112	AG517793	3-37	AG518507	4-98
AG516405	4-113	AG517851	8-1	AG518622	12-26
AG516405	4-114	AG517855	2-12	AG518622	8-2
AG516405	4-115	AG517858	4-45	AG518622	9-11
AG516405	4-23	AG517858	4-46	AG518625	8-3
AG516405	4-24	AG517858	4-47	AG518660	12-16
AG516405	4-25	AG517975	8-1	AG518660	12-20
AG516405	4-26	AG517993	3-28	AG518668	8-1
AG516405	4-27	AG517993	3-3	AG518668	8-3
AG516405	4-28	AG517994	12-34	AG518707	6-1
AG516405	4-29	AG517999	2-1	AG518707	6-2
AG516405	4-30	AG518025	3-33	AG518707	6-29
AG516405	4-31	AG518025	3-37	AG518707	6-3
AG516405	4-33	AG518025	3-42	AG518847	2-1
AG516405	4-34	AG518032	3-3	AG518847	8-2
AG516405	4-35	AG518032	3-30	AG518988	2-11

NUMERIC INDEX

AG519079	8-3	AG519751	4-58	AG521690	3-38
AG519086	7-1	AG519751	4-65	AG521846	9-10
AG519087	7-1	AG519751	4-67	AG521890	6-10
AG519113	12-36	AG519751	4-69	AG521890	6-25
AG519113	5-7	AG519751	4-70	AG521934	9-11
AG519180	4-88	AG519751	4-72	AG521959	8-3
AG519180	4-94	AG519751	4-96	AG522023	5-39
AG519180	4-95	AG519751	4-98	AG522044	12-21
AG519180	4-98	AG519751	4-99	AG522044	2-19
AG519236	6-15	AG519757	6-15	AG522056	3-17
AG519314	8-2	AG519838	2-33	AG522056	3-18
AG519336	2-1	AG519838	2-34	AG522056	3-19
AG519336	9-11	AG519838	4-37	AG522056	3-20
AG519446	7-1	AG519838	4-38	AG522056	3-33
AG519463	7-2	AG519838	4-48	AG522056	3-37
AG519524	3-10	AG520095	1-3	AG522057	3-17
AG519524	3-11	AG520222	6-14	AG522057	3-18
AG519524	3-9	AG520296	6-13	AG522057	3-19
AG519561	12-12	AG520304	2-14	AG522057	3-20
AG519561	12-57	AG520326	6-1	AG522057	3-33
AG519562	3-12	AG520326	6-13	AG522057	3-37
AG519562	3-14	AG520326	6-2	AG522058	3-17
AG519562	3-46	AG520326	6-29	AG522058	3-18
AG519562	3-47	AG520326	6-3	AG522058	3-19
AG519702	6-15	AG520327	6-13	AG522058	3-20
AG519748	4-100	AG520345	12-2	AG522058	3-33
AG519748	4-101	AG520345	12-22	AG522058	3-37
AG519748	4-53	AG520345	12-4	AG522149	11-1
AG519748	4-54	AG520345	12-8	AG522149	11-2
AG519748	4-62	AG520377	1-2	AG522149	11-3
AG519748	4-64	AG520377	1-4	AG522149	12-1
AG519748	4-68	AG520386	2-31	AG522149	2-42
AG519748	4-71	AG520559	6-13	AG522220	12-51
AG519748	4-74	AG520614	1-13	AG522244	12-52
AG519748	4-86	AG520614	1-18	AG522247	12-51
AG519749	12-13	AG520614	1-8	AG522247	12-52
AG519749	12-14	AG520697	6-10	AG522335	8-1
AG519749	4-109	AG520697	6-25	AG522466	9-11
AG519749	4-57	AG520889	9-11	AG522513	12-22
AG519749	4-58	AG520939	8-1	AG522562	4-45
AG519749	4-59	AG520946	6-22	AG522562	4-46
AG519749	4-61	AG520952	6-21	AG522563	2-10
AG519749	4-63	AG520952	6-30	AG522571	1-13
AG519749	4-65	AG520970	8-3	AG522571	1-18
AG519749	4-66	AG521017	2-12	AG522571	1-8
AG519749	4-67	AG521017	6-20	AG522571	2-11
AG519749	4-69	AG521017	6-9	AG522572	1-13
AG519749	4-70	AG521021	2-10	AG522572	1-18
AG519749	4-72	AG521023	2-10	AG522699	2-21
AG519749	4-73	AG521179	6-22	AG522702	3-15
AG519749	4-75	AG521354	9-10	AG522702	3-16
AG519749	4-76	AG521412	12-5	AG522703	3-1
AG519749	4-87	AG521476	7-2	AG522703	3-2
AG519749	4-93	AG521490	5-21	AG522703	3-27
AG519749	4-94	AG521490	5-29	AG522800	12-27
AG519749	4-95	AG521690	3-1	AG522800	12-6
AG519749	4-96	AG521690	3-2	AG522893	2-10
AG519749	4-97	AG521690	3-27	AG522893	2-33
AG519749	4-99	AG521690	3-34	AG522893	2-34

NUMERIC INDEX

AG522893	4-48	AG523417	1-24	AG524270	2-35
AG522894	12-21	AG523464	12-51	AG524270	2-39
AG522894	2-1	AG523491	7-2	AG524270	2-42
AG522894	2-12	AG523491	7-5	AG524270	6-20
AG522894	2-19	AG523508	12-51	AG524270	6-9
AG522894	2-20	AG523508	12-52	AG524292	12-33
AG522894	2-3	AG523524	2-21	AG524292	2-1
AG522894	2-32	AG523524	2-42	AG524369	5-39
AG522894	2-41	AG523526	12-28	AG524378	12-36
AG522895	12-21	AG523542	12-32	AG524378	5-7
AG522895	2-1	AG523542	7-6	AG524440	12-32
AG522895	2-11	AG523544	12-36	AG524440	7-6
AG522895	2-12	AG523544	5-7	AG550108	3-28
AG522895	2-19	AG523563	3-17	AG550108	3-3
AG522895	2-20	AG523563	3-18	AG550116	3-1
AG522895	2-3	AG523563	3-19	AG550116	3-2
AG522895	2-32	AG523563	3-20	AG550116	3-27
AG522895	2-33	AG523563	3-33	AG550124	3-1
AG522895	2-34	AG523563	3-37	AG550124	3-17
AG522895	2-38	AG523591	12-33	AG550124	3-18
AG522895	2-41	AG523653	3-15	AG550124	3-19
AG522895	2-42	AG523653	3-16	AG550124	3-2
AG522895	4-48	AG523653	3-17	AG550124	3-20
AG522925	3-29	AG523653	3-18	AG550124	3-23
AG522925	3-3	AG523653	3-19	AG550124	3-27
AG522980	3-15	AG523653	3-20	AG550124	3-3
AG522980	3-16	AG523814	12-33	AG550124	3-30
AG522980	3-17	AG523837	12-33	AG550124	3-33
AG522980	3-18	AG523923	12-27	AG550124	3-34
AG522980	3-19	AG523923	12-6	AG550124	3-37
AG522980	3-20	AG523923	2-17	AG550124	3-38
AG522980	3-29	AG523925	2-11	AG550167	3-3
AG522980	3-3	AG523925	6-20	AG550167	3-30
AG522980	3-33	AG523925	6-9	AG550175	12-21
AG522980	3-37	AG523930	2-12	AG550175	12-26
AG523061	2-11	AG523935	1-11	AG550175	12-39
AG523166	2-22	AG523935	1-13	AG550175	12-7
AG523259	3-40	AG523935	1-16	AG550175	2-19
AG523297	6-27	AG523935	1-18	AG550175	3-29
AG523327	9-1	AG523935	1-5	AG550175	3-3
AG523327	9-2	AG523935	1-6	AG550191	1-13
AG523327	9-3	AG523935	1-8	AG550191	1-18
AG523361	12-33	AG523936	2-17	AG550191	12-21
AG523412	4-100	AG523940	12-21	AG550191	12-26
AG523412	4-101	AG523940	2-19	AG550191	12-39
AG523412	4-102	AG524001	6-7	AG550191	12-7
AG523412	4-108	AG524015	12-27	AG550191	1-8
AG523412	4-109	AG524024	12-27	AG550191	2-1
AG523412	4-70	AG524024	12-6	AG550191	2-11
AG523412	4-71	AG524024	2-14	AG550191	2-19
AG523412	4-72	AG524041	5-8	AG550191	2-3
AG523412	4-73	AG524255	3-17	AG550191	2-9
AG523412	4-74	AG524255	3-18	AG550191	3-15
AG523412	4-75	AG524255	3-19	AG550191	3-16
AG523412	4-76	AG524255	3-20	AG550191	3-28
AG523412	4-93	AG524255	3-33	AG550191	3-29
AG523412	4-96	AG524255	3-37	AG550191	3-3
AG523412	4-97	AG524263	3-3	AG550191	3-30
AG523412	4-99	AG524263	3-30	AG550191	3-40

NUMERIC INDEX

AG550205	12-50	AG550450	1-17	AG550825	12-39
AG550205	12-7	AG550450	1-7	AG550825	12-7
AG550205	3-17	AG550450	2-14	AG550825	1-8
AG550205	3-18	AG550477	1-12	AG550825	2-1
AG550205	3-19	AG550477	1-17	AG550825	2-11
AG550205	3-20	AG550477	1-7	AG550825	2-19
AG550205	3-39	AG550477	2-14	AG550825	2-3
AG550205	3-41	AG550485	3-29	AG550825	2-9
AG550205	3-44	AG550485	3-3	AG550825	3-15
AG550205	3-45	AG550493	12-39	AG550825	3-16
AG550213	12-50	AG550493	12-51	AG550825	3-28
AG550213	12-7	AG550493	2-1	AG550825	3-29
AG550213	3-17	AG550493	3-28	AG550825	3-3
AG550213	3-18	AG550493	3-29	AG550949	3-28
AG550213	3-19	AG550493	3-3	AG550949	3-3
AG550213	3-20	AG550507	12-39	AG550949	3-36
AG550213	3-39	AG550507	12-51	AG550981	3-15
AG550213	3-41	AG550507	2-1	AG550981	3-16
AG550213	3-44	AG550507	3-28	AG551007	1-11
AG550213	3-45	AG550507	3-29	AG551007	1-13
AG550256	12-27	AG550507	3-3	AG551007	1-16
AG550256	12-6	AG550507	3-34	AG551007	1-18
AG550256	5-15	AG550507	3-38	AG551007	12-21
AG550264	3-1	AG550515	1-13	AG551007	12-26
AG550264	3-17	AG550515	1-18	AG551007	12-39
AG550264	3-18	AG550515	12-26	AG551007	12-52
AG550264	3-19	AG550515	1-8	AG551007	12-7
AG550264	3-2	AG550515	3-29	AG551007	1-5
AG550264	3-20	AG550515	3-3	AG551007	1-6
AG550264	3-23	AG550590	3-28	AG551007	1-8
AG550264	3-27	AG550590	3-3	AG551007	2-1
AG550264	3-3	AG550612	12-51	AG551007	2-11
AG550264	3-30	AG550612	2-1	AG551007	2-19
AG550264	3-33	AG550612	3-17	AG551007	2-3
AG550264	3-34	AG550612	3-18	AG551007	2-9
AG550264	3-37	AG550612	3-19	AG551007	3-24
AG550264	3-38	AG550612	3-20	AG551007	3-3
AG550264	5-10	AG550612	3-28	AG551015	12-50
AG550264	5-13	AG550612	3-3	AG551015	12-7
AG550264	5-15	AG550612	3-33	AG551015	3-17
AG550264	5-2	AG550612	3-37	AG551015	3-18
AG550280	3-3	AG550620	12-7	AG551015	3-19
AG550280	3-30	AG550647	12-7	AG551015	3-20
AG550353	11-1	AG550698	12-39	AG551015	3-39
AG550353	12-27	AG550698	3-34	AG551015	3-41
AG550353	12-6	AG550698	3-38	AG551015	3-44
AG550353	3-1	AG550779	3-29	AG551015	3-45
AG550353	3-17	AG550787	3-34	AG551058	12-50
AG550353	3-18	AG550787	3-38	AG551058	3-17
AG550353	3-19	AG550817	3-23	AG551058	3-18
AG550353	3-2	AG550817	3-3	AG551058	3-19
AG550353	3-20	AG550817	3-30	AG551058	3-20
AG550353	3-27	AG550817	5-10	AG551058	3-43
AG550353	3-33	AG550817	5-13	AG551139	12-36
AG550353	3-34	AG550817	5-2	AG551139	12-37
AG550353	3-35	AG550825	1-13	AG551139	5-7
AG550353	3-37	AG550825	1-18	AG551252	12-7
AG550353	3-38	AG550825	12-21	AG551392	3-15
AG550450	1-12	AG550825	12-26	AG551392	3-16

NUMERIC INDEX

AG551392	3-17	AG553557	1-6	AG560286	3-37
AG551392	3-18	AG553557	6-2	AG560456	3-40
AG551392	3-19	AG553557	6-26	AG560480	4-49
AG551392	3-20	AG553646	3-28	AG560480	4-50
AG551406	3-29	AG553646	3-3	AG560480	4-51
AG551406	3-3	AG553670	12-7	AG560480	4-55
AG551422	5-31	AG553875	9-1	AG560480	4-56
AG551422	5-32	AG553875	9-2	AG560480	4-64
AG551546	3-33	AG553875	9-3	AG560480	4-68
AG551546	3-37	AG553875	9-4	AG560693	12-36
AG551856	3-15	AG553875	9-5	AG560693	5-7
AG551856	3-16	AG553875	9-7	AG560870	2-14
AG551856	3-17	AG553875	9-8	AG560899	12-36
AG551856	3-18	AG553875	9-9	AG560899	5-7
AG551856	3-19	AG553956	3-1	AG560931	1-12
AG551856	3-20	AG553956	3-2	AG560931	1-17
AG551856	3-29	AG553956	3-23	AG560931	1-7
AG551856	3-3	AG553956	3-27	AG560931	2-14
AG551856	3-33	AG554278	6-16	AG561072	3-15
AG551856	3-37	AG554278	6-17	AG561072	3-16
AG552046	1-12	AG554278	6-19	AG561072	3-17
AG552046	1-17	AG554278	6-20	AG561072	3-18
AG552046	1-7	AG554278	6-23	AG561072	3-19
AG552127	3-24	AG554278	6-8	AG561072	3-20
AG552232	12-42	AG554278	6-9	AG561072	3-28
AG552305	1-21	AG554472	2-17	AG561072	3-3
AG552321	12-34	AG554480	9-3	AG561072	3-42
AG552321	12-7	AG554480	9-4	AG561078	3-17
AG552410	12-34	AG554480	9-5	AG561078	3-18
AG552410	12-7	AG554480	9-9	AG561078	3-19
AG552410	3-17	AG554510	5-11	AG561078	3-20
AG552410	3-18	AG554510	5-18	AG561078	3-33
AG552410	3-19	AG554510	5-19	AG561078	3-37
AG552410	3-20	AG554510	5-6	AG561156	3-28
AG552410	3-33	AG554758	2-14	AG561156	3-3
AG552410	3-37	AG554766	1-21	AG561156	3-34
AG552550	1-23	AG554863	10-1	AG561156	3-38
AG553026	1-12	AG554863	10-2	AG561169	5-15
AG553026	1-17	AG556149	3-34	AG561177	3-3
AG553026	1-7	AG556149	3-38	AG561177	3-30
AG553026	2-14	AG556424	2-35	AG561199	3-1
AG553085	2-14	AG556424	2-39	AG561199	3-2
AG553182	12-7	AG556424	2-42	AG561199	3-27
AG553492	2-35	AG556742	2-14	AG561201	3-1
AG553492	2-39	AG557471	12-50	AG561201	3-2
AG553492	2-42	AG558788	12-51	AG561201	3-27
AG553557	1-11	AG558796	3-29	AG561203	3-17
AG553557	11-3	AG558796	3-3	AG561203	3-18
AG553557	1-16	AG558869	2-11	AG561203	3-19
AG553557	12-11	AG558877	5-11	AG561203	3-20
AG553557	12-15	AG558877	5-14	AG561212	2-14
AG553557	12-19	AG558877	5-3	AG561213	1-11
AG553557	12-35	AG559253	11-1	AG561213	11-1
AG553557	12-44	AG559385	9-3	AG561213	11-2
AG553557	12-53	AG559385	9-4	AG561213	11-3
AG553557	12-54	AG559385	9-5	AG561213	11-4
AG553557	12-55	AG559385	9-9	AG561213	1-16
AG553557	12-56	AG560278	12-36	AG561213	12-10
AG553557	1-5	AG560286	3-33	AG561213	12-9

NUMERIC INDEX

AG561213	1-5	AG561229	2-29	AG561744	5-7
AG561213	1-6	AG561230	12-10	AG561826	3-29
AG561213	2-11	AG561230	12-9	AG561826	3-3
AG561213	2-33	AG561230	3-32	AG561826	5-17
AG561213	2-34	AG561230	4-45	AG561892	12-34
AG561213	3-32	AG561230	4-46	AG561892	12-7
AG561213	3-4	AG561230	4-47	AG561892	3-15
AG561213	3-5	AG561230	4-85	AG561892	3-16
AG561213	3-6	AG561231	11-1	AG561892	3-17
AG561213	3-7	AG561231	11-2	AG561892	3-18
AG561213	3-8	AG561231	11-3	AG561892	3-19
AG561213	4-48	AG561231	12-27	AG561892	3-20
AG561213	4-85	AG561231	12-6	AG561892	3-29
AG561213	9-1	AG561231	9-1	AG561892	3-3
AG561213	9-2	AG561231	9-2	AG561892	3-30
AG561213	9-3	AG561231	9-3	AG561892	3-33
AG561213	9-4	AG561231	9-5	AG561892	3-37
AG561213	9-7	AG561233	1-12	AG561892	5-26
AG561213	9-8	AG561233	1-17	AG561952	3-4
AG561213	9-9	AG561233	1-7	AG561952	3-5
AG561215	9-1	AG561246	2-1	AG561952	7-5
AG561215	9-2	AG561251	3-3	AG562045	5-5
AG561215	9-3	AG561251	3-30	AG562046	11-2
AG561218	11-1	AG561262	1-24	AG562046	11-3
AG561218	11-2	AG561308	12-36	AG562047	1-2
AG561218	11-3	AG561308	12-37	AG562047	6-2
AG561218	3-17	AG561308	5-7	AG562047	8-3
AG561218	3-18	AG561339	2-14	AG562048	1-11
AG561218	3-19	AG561339	5-7	AG562048	1-16
AG561218	3-20	AG561352	4-45	AG562048	1-5
AG561218	3-33	AG561352	4-46	AG562048	1-6
AG561218	3-37	AG561391	12-36	AG562048	2-17
AG561218	4-45	AG561455	5-14	AG562049	2-17
AG561218	4-46	AG561455	5-3	AG562050	1-10
AG561218	4-47	AG561455	5-6	AG562050	1-11
AG561227	12-29	AG561488	6-26	AG562050	1-13
AG561227	12-4	AG561508	9-10	AG562050	1-14
AG561227	2-11	AG561538	2-38	AG562050	1-15
AG561227	9-1	AG561538	4-47	AG562050	1-16
AG561227	9-10	AG561592	12-50	AG562050	1-18
AG561227	9-2	AG561630	12-21	AG562050	1-19
AG561227	9-4	AG561630	2-1	AG562050	1-2
AG561227	9-5	AG561630	2-11	AG562050	1-20
AG561227	9-7	AG561630	2-19	AG562050	12-36
AG561227	9-8	AG561630	2-3	AG562050	1-5
AG561227	9-9	AG561630	2-32	AG562050	1-6
AG561229	1-10	AG561630	2-41	AG562050	1-8
AG561229	1-11	AG561635	3-35	AG562050	1-9
AG561229	1-14	AG561637	12-29	AG562050	2-11
AG561229	1-15	AG561637	8-1	AG562050	5-7
AG561229	1-16	AG561665	1-13	AG562051	2-17
AG561229	1-19	AG561665	1-18	AG562051	2-42
AG561229	1-20	AG561665	1-8	AG562053	5-5
AG561229	12-21	AG561667	12-42	AG562054	12-13
AG561229	12-26	AG561667	3-15	AG562054	12-14
AG561229	1-5	AG561667	3-16	AG562054	12-17
AG561229	1-6	AG561698	3-15	AG562054	12-18
AG561229	1-9	AG561698	3-16	AG562054	12-29
AG561229	2-19	AG561744	12-36	AG562054	6-26

NUMERIC INDEX

AG562054	6-27	AG562073	6-27	AG562074	4-95
AG562054	7-2	AG562073	8-2	AG562074	4-96
AG562064	2-1	AG562074	1-10	AG562074	4-97
AG562064	2-32	AG562074	1-14	AG562074	4-98
AG562064	2-41	AG562074	1-15	AG562074	4-99
AG562064	3-41	AG562074	1-19	AG562074	8-2
AG562064	3-45	AG562074	1-20	AG562074	9-1
AG562064	4-102	AG562074	12-47	AG562074	9-2
AG562064	4-108	AG562074	12-48	AG562074	9-3
AG562064	4-109	AG562074	12-49	AG562074	9-5
AG562064	4-58	AG562074	1-9	AG562079	12-29
AG562064	4-65	AG562074	2-1	AG562080	12-7
AG562064	4-67	AG562074	2-17	AG562082	12-13
AG562064	4-69	AG562074	2-33	AG562082	12-14
AG562064	4-70	AG562074	2-34	AG562082	4-109
AG562064	4-72	AG562074	2-42	AG562082	4-57
AG562064	4-73	AG562074	3-4	AG562082	4-58
AG562064	4-75	AG562074	3-5	AG562082	4-59
AG562064	4-76	AG562074	4-100	AG562082	4-61
AG562064	4-93	AG562074	4-101	AG562082	4-63
AG562064	4-96	AG562074	4-102	AG562082	4-65
AG562064	4-97	AG562074	4-108	AG562082	4-66
AG562064	4-99	AG562074	4-109	AG562082	4-67
AG562064	6-26	AG562074	4-45	AG562082	4-69
AG562064	8-2	AG562074	4-46	AG562082	4-70
AG562065	1-10	AG562074	4-47	AG562082	4-72
AG562065	1-11	AG562074	4-48	AG562082	4-73
AG562065	1-13	AG562074	4-49	AG562082	4-75
AG562065	1-14	AG562074	4-50	AG562082	4-76
AG562065	1-15	AG562074	4-51	AG562082	4-87
AG562065	1-16	AG562074	4-52	AG562082	4-93
AG562065	1-18	AG562074	4-53	AG562082	4-94
AG562065	1-19	AG562074	4-54	AG562082	4-95
AG562065	1-2	AG562074	4-55	AG562082	4-96
AG562065	1-20	AG562074	4-56	AG562082	4-97
AG562065	1-5	AG562074	4-57	AG562082	4-99
AG562065	1-6	AG562074	4-58	AG562090	2-42
AG562065	1-8	AG562074	4-59	AG562120	12-36
AG562065	1-9	AG562074	4-61	AG562120	12-5
AG562065	2-11	AG562074	4-62	AG562120	5-7
AG562073	1-10	AG562074	4-63	AG562123	1-11
AG562073	1-11	AG562074	4-64	AG562123	1-16
AG562073	1-13	AG562074	4-65	AG562123	12-26
AG562073	1-14	AG562074	4-66	AG562123	12-5
AG562073	1-15	AG562074	4-67	AG562123	1-5
AG562073	1-16	AG562074	4-68	AG562123	1-6
AG562073	1-18	AG562074	4-69	AG562136	12-33
AG562073	1-19	AG562074	4-70	AG562148	12-21
AG562073	1-20	AG562074	4-71	AG562148	2-19
AG562073	12-33	AG562074	4-72	AG562193	3-29
AG562073	12-36	AG562074	4-73	AG562193	3-3
AG562073	12-5	AG562074	4-74	AG562199	8-1
AG562073	1-5	AG562074	4-75	AG562251	6-13
AG562073	1-6	AG562074	4-76	AG562251	6-2
AG562073	1-8	AG562074	4-86	AG562291	3-28
AG562073	1-9	AG562074	4-87	AG562291	3-3
AG562073	2-1	AG562074	4-88	AG562304	12-2
AG562073	2-17	AG562074	4-93	AG562304	12-8
AG562073	5-7	AG562074	4-94	AG562304	4-10

NUMERIC INDEX

AG562304	4-11	AG562712	4-10	AG563070	2-42
AG562304	4-14	AG562712	4-11	AG563095	3-13
AG562304	4-15	AG562712	4-12	AG563095	4-42
AG562304	4-16	AG562712	4-13	AG563095	4-77
AG562304	4-18	AG562712	4-14	AG563095	4-78
AG562304	4-19	AG562712	4-15	AG563096	3-13
AG562304	4-2	AG562712	4-16	AG563096	4-42
AG562304	4-21	AG562712	4-17	AG563096	4-77
AG562304	4-22	AG562712	4-18	AG563096	4-78
AG562304	4-3	AG562712	4-19	AG600008	12-7
AG562304	4-5	AG562712	4-2	AG600016	12-7
AG562304	4-6	AG562712	4-20	AG600830	12-26
AG562304	4-7	AG562712	4-21	AG601152	11-2
AG562304	4-8	AG562712	4-22	AG601152	11-3
AG562327	6-4	AG562712	4-3	AG601152	12-27
AG562327	6-5	AG562712	4-4	AG601152	12-34
AG562327	8-3	AG562712	4-5	AG601152	12-50
AG562330	9-6	AG562712	4-6	AG601152	12-6
AG562354	12-36	AG562712	4-7	AG601152	12-7
AG562354	5-23	AG562712	4-8	AG601152	3-15
AG562354	5-25	AG562712	4-9	AG601152	3-16
AG562354	5-27	AG562793	1-11	AG601152	3-17
AG562354	5-34	AG562793	1-16	AG601152	3-18
AG562354	5-7	AG562793	1-6	AG601152	3-19
AG562364	12-52	AG562793	6-28	AG601152	3-20
AG562372	12-36	AG562793	6-4	AG601152	3-33
AG562372	12-37	AG562793	6-5	AG601152	3-34
AG562372	5-16	AG562925	12-30	AG601152	3-35
AG562372	5-21	AG562925	12-31	AG601152	3-37
AG562372	5-29	AG562931	12-54	AG601152	3-38
AG562372	5-7	AG563036	3-3	AG601411	1-11
AG562385	12-5	AG563036	3-30	AG601411	1-13
AG562401	5-18	AG563038	9-10	AG601411	1-16
AG562401	5-19	AG563039	9-10	AG601411	1-18
AG562401	5-31	AG563055	9-10	AG601411	12-50
AG562401	5-32	AG563061	12-17	AG601411	1-5
AG562467	12-42	AG563061	12-18	AG601411	1-6
AG562496	12-10	AG563061	4-100	AG601411	1-8
AG562496	12-9	AG563061	4-101	AG601411	3-17
AG562496	3-32	AG563061	4-45	AG601411	3-18
AG562496	3-4	AG563061	4-46	AG601411	3-19
AG562496	3-5	AG563061	4-47	AG601411	3-20
AG562496	3-6	AG563061	4-49	AG601411	3-34
AG562496	3-7	AG563061	4-50	AG601411	3-38
AG562496	3-8	AG563061	4-51	AG601411	3-42
AG562496	4-85	AG563061	4-52	AG601411	3-43
AG562496	5-15	AG563061	4-55	AG601411	8-2
AG562537	3-1	AG563061	4-56	AG601764	12-7
AG562537	3-2	AG563061	4-62	AG602132	3-15
AG562537	3-27	AG563061	4-64	AG602132	3-16
AG562538	2-11	AG563061	4-68	AG602132	3-17
AG562538	3-33	AG563061	4-71	AG602132	3-18
AG562538	3-37	AG563061	4-74	AG602132	3-19
AG562538	3-42	AG563061	4-86	AG602132	3-20
AG562560	5-26	AG563061	4-88	AG602132	3-29
AG562607	2-12	AG563061	4-94	AG602132	3-3
AG562621	5-5	AG563061	4-95	AG603864	3-28
AG562693	9-10	AG563061	4-98	AG603864	3-3
AG562712	4-1	AG563069	2-35	AG603864	3-34

NUMERIC INDEX

AG603864	3-38	AG609777	12-17	AG708300	4-48
AG604138	3-24	AG609777	12-18	AG708307	5-15
AG604167	1-11	AG609777	2-35	AG708715	2-27
AG604167	1-16	AG609777	2-38	AG709125	5-17
AG604167	1-2	AG609777	4-100	AG709158	12-25
AG604167	1-5	AG609777	4-101	AG709257	5-6
AG604167	1-6	AG609777	4-49	AG709339	2-28
AG604185	12-42	AG609777	4-50	AG709343	2-27
AG604185	3-34	AG609777	4-51	AG709344	2-27
AG604185	3-38	AG609777	4-52	AG709929	12-29
AG604216	3-34	AG609777	4-53	AG710515	12-27
AG604216	3-36	AG609777	4-54	AG710515	12-6
AG604216	3-38	AG609777	4-55	AG710515	2-35
AG606683	1-11	AG609777	4-56	AG710516	12-2
AG606683	1-16	AG609777	4-62	AG710516	12-8
AG606683	1-5	AG609777	4-64	AG710516	2-35
AG606683	1-6	AG609777	4-68	AG710516	2-42
AG606707	5-26	AG609777	4-71	AG710516	4-1
AG609024	8-3	AG609777	4-74	AG710516	4-10
AG609084	1-10	AG609777	4-86	AG710516	4-11
AG609084	1-11	AG609777	4-88	AG710516	4-12
AG609084	1-13	AG609777	4-94	AG710516	4-13
AG609084	1-14	AG609777	4-95	AG710516	4-14
AG609084	1-15	AG609777	4-98	AG710516	4-15
AG609084	1-16	AG609916	4-42	AG710516	4-16
AG609084	1-18	AG609917	4-42	AG710516	4-17
AG609084	1-19	AG609919	4-42	AG710516	4-18
AG609084	1-20	AG609921	3-13	AG710516	4-19
AG609084	1-5	AG609921	4-77	AG710516	4-2
AG609084	1-6	AG609922	3-13	AG710516	4-20
AG609084	1-8	AG609923	4-77	AG710516	4-21
AG609084	1-9	AG610181	1-4	AG710516	4-22
AG609084	2-11	AG610516	5-22	AG710516	4-3
AG609113	4-45	AG610517	3-13	AG710516	4-4
AG609113	4-46	AG610517	4-42	AG710516	4-5
AG609555	6-14	AG610721	12-29	AG710516	4-6
AG609556	6-14	AG610722	12-29	AG710516	4-7
AG609557	6-14	AG610723	12-29	AG710516	4-8
AG609737	3-13	AG610743	12-29	AG710516	4-9
AG609737	4-42	AG610745	12-29	AG710638	9-10
AG609737	4-77	AG700081	12-26	AG710655	2-27
AG609737	4-78	AG701010	6-12	AG711024	11-5
AG609738	3-13	AG701011	6-12	AG711226	2-27
AG609738	4-42	AG701012	6-12	AG711448	6-4
AG609738	4-77	AG701013	6-12	AG711448	6-5
AG609738	4-78	AG701014	6-12	AG711903	2-27
AG609739	3-13	AG701015	6-12	AG711934	2-27
AG609739	4-42	AG701016	6-12	AG711986	1-12
AG609739	4-77	AG703081	1-25	AG711986	1-17
AG609739	4-78	AG703083	1-25	AG711986	1-7
AG609741	3-13	AG703084	1-25	AG711986	2-14
AG609741	4-42	AG703308	5-15	AG713670	5-40
AG609741	4-77	AG706258	5-15	AG713710	4-44
AG609741	4-78	AG706259	5-15	AG714085	12-3
AG609743	3-13	AG706262	5-15	AG714101	5-10
AG609745	3-13	AG706263	5-15	AG714101	5-13
AG609745	4-42	AG706265	5-15	AG714101	5-15
AG609747	4-78	AG708300	2-33	AG714101	5-2
AG609748	4-78	AG708300	2-34	AG714828	6-4

NUMERIC INDEX

AG714828	6-5	AG726847	8-3	AG845079	4-13
AG714832	5-39	AG726848	8-3	AG845079	4-14
AG714942	5-28	AG726849	8-3	AG845079	4-15
AG714982	2-23	AG726850	8-3	AG845079	4-16
AG714986	2-23	AG726853	5-39	AG845079	4-17
AG714988	2-23	AG726854	5-39	AG845079	4-18
AG714989	2-23	AG726952	8-1	AG845079	4-19
AG714990	2-23	AG726981	2-36	AG845079	4-2
AG714991	2-23	AG726981	2-37	AG845079	4-20
AG714992	2-23	AG726981	2-7	AG845079	4-21
AG714993	2-23	AG726982	2-36	AG845079	4-22
AG714994	2-23	AG726982	2-37	AG845079	4-3
AG714995	2-23	AG726982	2-7	AG845079	4-4
AG714996	2-27	AG727083	1-4	AG845079	4-5
AG714998	2-23	AG727085	1-4	AG845079	4-6
AG714999	5-17	AG727089	1-4	AG845079	4-7
AG715207	5-39	AG727098	5-17	AG845079	4-8
AG715571	5-39	AG727099	5-17	AG845079	4-9
AG716188	1-4	AG727100	5-17	AG850263	1-25
AG716190	1-4	AG727101	5-17	NS	8-1
AG716343	12-29	AG727103	5-26	WR12030	12-7
AG716811	5-39	AG727104	5-26	WR122591	2-33
AG717132	1-4	AG727106	5-26	WR122591	2-34
AG717132	2-26	AG727107	5-24	WR122648	2-9
AG717712	5-39	AG727108	5-20	WR124539	3-34
AG718011	5-39	AG727109	5-20	WR124539	3-38
AG718059	5-39	AG727110	5-20	WR125301	3-35
AG719528	6-4	AG727111	5-20	WR125305	3-36
AG719528	6-5	AG727112	5-22	WR125310	3-35
AG721040	6-11	AG727112	5-24	WR126491	3-34
AG722268	2-28	AG727113	5-22	WR126491	3-38
AG722270	2-28	AG727114	5-22	WR127095	12-10
AG722818	2-27	AG727115	5-22	WR127095	3-8
AG722819	2-27	AG727123	5-28	WR127095	4-85
AG723074	1-4	AG727124	5-28	WR128375	3-38
AG723606	2-28	AG727125	5-28	WR128376	3-34
AG724335	2-28	AG727126	5-28	WR128835	3-34
AG724681	5-17	AG727427	2-20	WR128835	3-38
AG724682	5-17	AG727455	12-29	WR129085	3-32
AG724687	5-39	AG727456	12-29	WR129085	4-85
AG724790	2-23	AG727457	12-29	WR129086	12-56
AG724790	2-27	AG727458	12-29	WR129086	3-32
AG724793	2-27	AG727459	12-29	WR129086	4-85
AG725602	5-39	AG727460	12-29	WR129144	4-100
AG725928	2-13	AG727461	12-29	WR129144	4-86
AG725931	2-13	AG727462	12-29	WR129144	4-87
AG725932	2-13	AG727463	12-29	WR129144	4-97
AG725933	2-13	AG727464	12-29	WR129144	9-5
AG726404	5-41	AG727465	12-29	WR129194	3-35
AG726404	5-42	AG727654	2-6	WR129706	3-35
AG726837	8-3	AG727654	4-43	WR34606	3-34
AG726838	8-3	AG727663	5-24	WR34606	3-38
AG726839	8-3	AG834159	6-4	WR34609	3-34
AG726841	8-3	AG834159	6-5	WR34609	3-38
AG726843	8-3	AG844769	1-25	WR35020	2-36
AG726844	8-3	AG845079	4-1	WR35020	2-37
AG726845	8-1	AG845079	4-10	WR504301	4-48
AG726845	8-3	AG845079	4-11	WR55197	3-34
AG726846	8-3	AG845079	4-12	WR55197	3-38



AGCO Corporation
4205 River Green Parkway
Duluth, GA 30096-2568

WWW.ROLTRONIK.PL