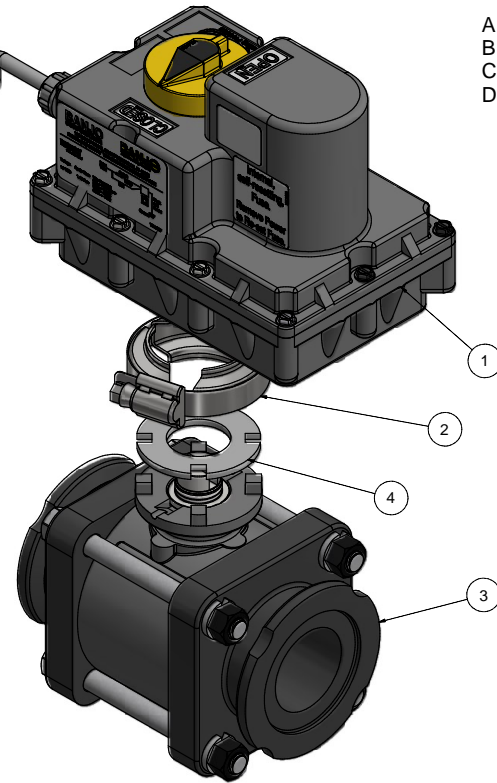


Parts List			
ITEM	QTY	PART NUMBER	DESCRIPTION
1	1	EV4300	1 1/4 Sec. 3 Wire, EV Actuator Assy
2	1	FC100	1" HI TORQUE CLAMP
3	1	MEV200XR1	2" Manifold Valve SubAssy
4	1	MVE004	MVE Mounting Breather
5	3	VE001	CABLE SEAL
6	1	VE005	CAVITY PLUG
7	1	VE006	4 TOWER MALE TOWER
8	3	VE010	FEMALE TERMINAL

NOTE:
PIN CONNECTIONS:

A = BLACK
B = PLUG
C = WHITE
D = RED



THIS DRAWING AND ALL INFORMATION CONTAINED THEREON ARE THE EXCLUSIVE PROPERTY OF BANJO CORPORATION.

UNLESS SPECIFICALLY NOTED, THIS DRAWING AND ITEMS SHOWN ON THIS DRAWING ARE SUBJECT TO CHANGE AT ANY TIME.



BANJO CORPORATION
150 BANJO DRIVE, CRAWFORDSVILLE, IN 47933
WEB SITE: WWW.BANJOCORP.COM
E-MAIL: BANJOSALES@IDEXCORP.COM

DESCRIPTION
2" Manifold Electric Valve 1 1/4 Sec, 3 Wire, On/Off, w/ Cnctr
PART NUMBER
MEV201CF