



Ersatzteilliste

Parts list

WWW.ROLTRONIK.PL

Feldspritzen

Field Sprayers

EuroTrain 2600 TC / 3500 TC

Art.Nr. 175_1859

06.17

LEMKEN GmbH & Co. KG

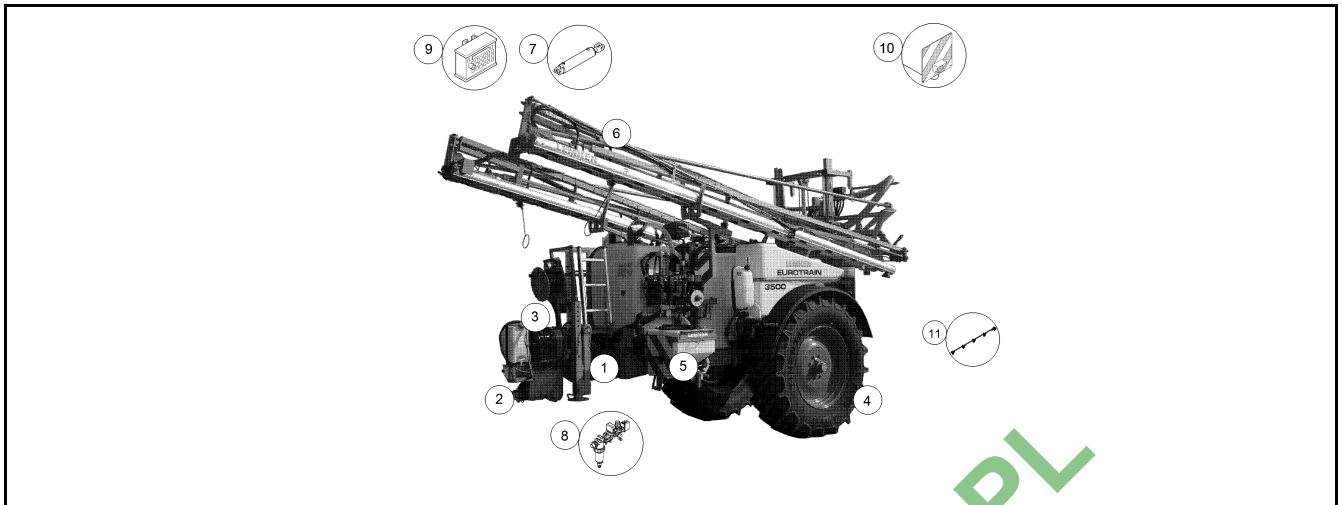
Weseler Straße 5, D-46519 Alpen / Postfach 11 60, D-46515 Alpen

Telefon (0 28 02) 81-0, Telefax (0 28 02) 81-220

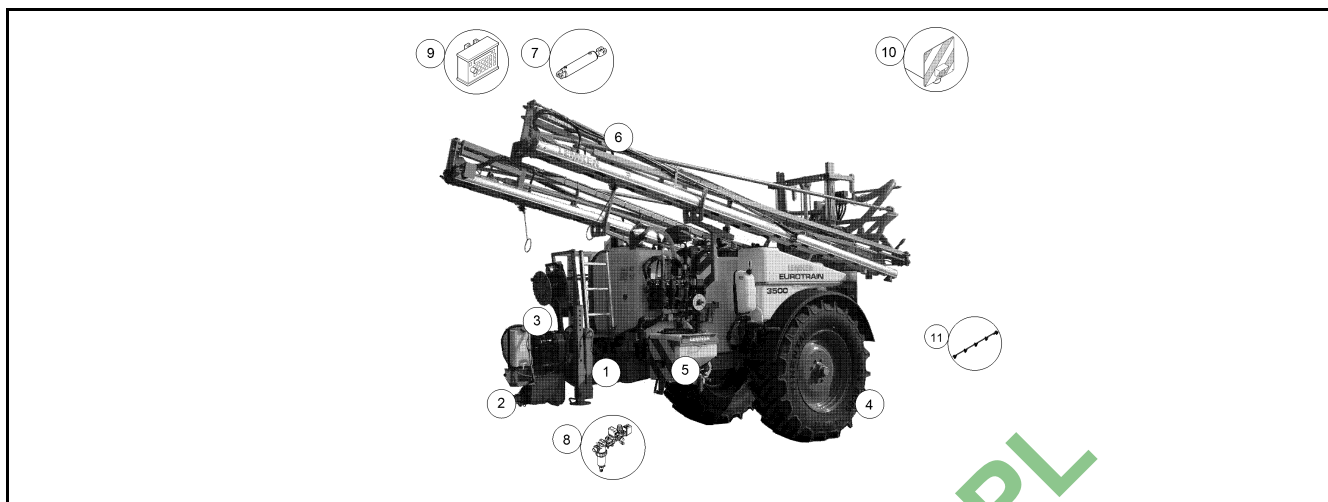
eMail: lemken@lemken.com, Internet: <http://www.lemken.com>

INHALTSVERZEICHNIS / CONTENTS

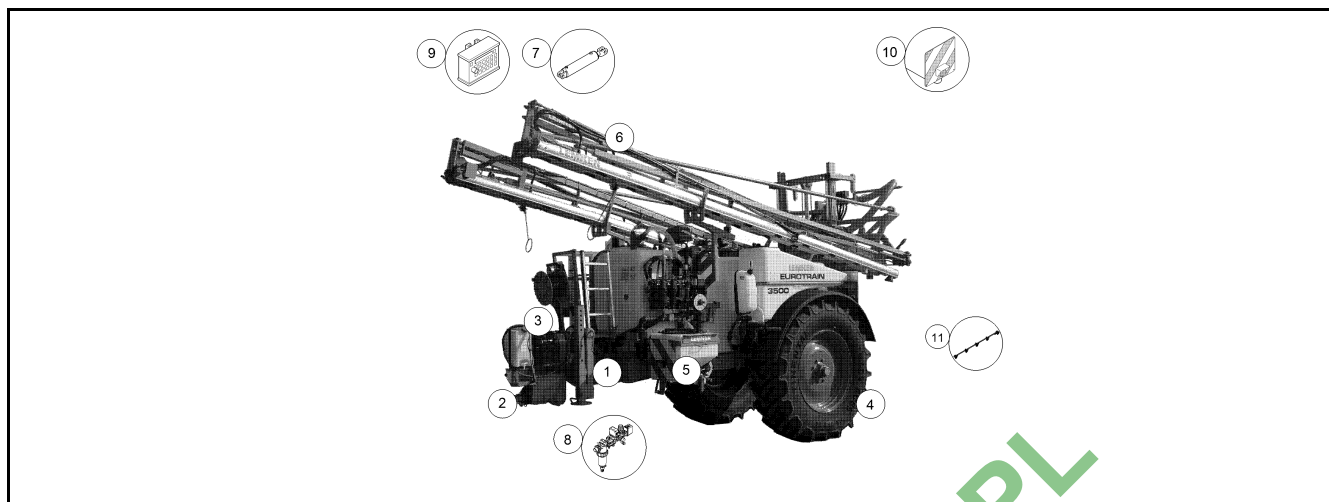
EuroTrain 2600 TC / 3500 TC



| Pos. | Art.Nr. | Artikeltext / Description | Abmessung | |
|------|----------|---------------------------|---------------------|--------------|
| 1 | F02 0609 | Stützenoberteil | Support, upper part | - |
| 1 | F02 0617 | Flanschlager | Flange-type bearing | EuroTrain |
| 1 | F03 0202 | Klappleiter | Folding ladder | KPL ET |
| 1 | F03 0384 | Lagerbock | Bearing block | ETC |
| 1 | F03 0412 | Leiter | Ladder | 4St |
| 1 | F03 0417 | Lagerung | Bearing | Eurotrain |
| 1 | F06 0318 | Plattform | Platform | EuroTrain |
| 1 | F06 0418 | Deichsel | Drawbar | ET |
| 1 | F06 0419 | Deichsel | Drawbar | ET |
| 1 | F06 0420 | Deichsel | Drawbar | ET Hitch |
| 1 | F06 0421 | Deichsel | Drawbar | ET Hitch |
| 1 | F06 0443 | Behälter | Tank | KPL ET3500 |
| 1 | F06 0667 | Abstellstütze | Stand | ET ZMD |
| 1 | F06 0700 | Traverse | Cross beam | 918 ET3500 |
| 1 | F06 0701 | Montagesatz | Mounting set | ET |
| 1 | F06 0851 | Ablaufstützen | Stud | G3/4ZL |
| 1 | F06 0879 | Arbeitsbühne | Working platform | ET |
| 1 | F06 0943 | Anbausatz | Mounting set | ET3500 |
| 1 | F06 1448 | Abstrebung | Support | EuroTrain |
| 1 | F06 2339 | Handwaschbehälter | Water canister | 15 l ET |
| 1 | F06 2445 | TRAIL-Control | TRAIL-Control | ET |
| 1 | F06 2451 | Deichsel | Drawbar | Hitch |
| 1 | F06 2452 | Deichsel | Drawbar | Hitch |
| 1 | F13 0536 | Belüftungseinrichtung | Ventilation | G2 ZL ET2600 |
| 1 | F16 0015 | Rahmen | Frame | ET3500 |
| 2 | F06 0400 | Zugmauldeichsel | Drawbar | 540 1/min. |
| 2 | F06 0401 | Zugmauldeichsel | Drawbar | 540 1/min. |
| 2 | F06 0404 | Zugmauldeichsel | Drawbar | - |
| 2 | F06 0405 | Zugmauldeichsel | Drawbar | 540 1/min. |
| 2 | F06 0409 | Zugmauldeichsel | Drawbar | 540 1/min. |
| 2 | F06 0410 | Zugmauldeichsel | Drawbar | 540 1/min. |
| 2 | F06 0413 | Zugmauldeichsel | Drawbar | 540 1/min. |
| 2 | F06 0414 | Zugmauldeichsel | Drawbar | 540 1/min. |
| 2 | F06 0662 | VerbindungsKit | 90 GRD | ECO |
| 2 | F06 0663 | Lagerung | Bearing | KPL |
| 2 | F06 0664 | VerbindungsKit | 90 GRD | - |



| Pos. | Art.Nr. | Artikeltext / Description | Abmessung | |
|------|----------|-----------------------------|---------------------------|--------------------------------|
| 2 | F06 0669 | TRAIL-Control | TRAIL-Control | - |
| 2 | F06 0670 | Nachlaufsteuerung | Control | - |
| 2 | F06 0671 | Lagerbock | Bearing block | KPL ET |
| 2 | F06 0672 | Zugöse | Traction loop | ET 40 km/h |
| 2 | F06 0673 | Zugkugelumplung | Ball-shaped coupling | 40 km/h |
| 2 | F06 0674 | Zugöse | Traction loop | 40 km/h |
| 2 | F06 0677 | Verbindungsset | 90 GRD | ECO/ET |
| 2 | F06 0683 | Gelenk | Link | KPL |
| 2 | F06 0797 | Pumpenantrieb | Pump drive | 540 1/min ET |
| 2 | F06 0870 | Zugmauladapter | Adapter | KPL 540 1/min. |
| 2 | F06 0942 | Halter | Holder | KPL ET |
| 2 | F06 1833 | Abstreifung | Support | EuroTrain |
| 2 | R70 5950 | Zugöse | Traction loop | D40x240 6xM16 |
| 4 | 55010008 | Bremsachse | Braking axle | GS12010 120x15x2000 10/280/335 |
| 4 | 55010010 | Bremsachse | Braking axle | GS12010 120x15x2000 10/280/335 |
| 4 | F02 1359 | Kotflügel | Mud guard | 510 mm ET3500/5000 |
| 4 | F02 1836 | Kotflügel | Mud guard | 610 mm LI ET |
| 4 | F02 1859 | Saugfilter | Suction filter | ET5000 |
| 4 | F02 4802 | Kotflügel | Mud guard | 610 mm RE ET |
| 4 | F03 0378 | Feststellbremse | Parking brake | KPL ET |
| 4 | F03 0470 | Stütze | Support | KPL ET5000 |
| 4 | F04 0133 | Gelenk | Link | KPL |
| 4 | F06 0515 | Unterlegkeil | Wheel chock | ECO/ET2600/3500 |
| 4 | F06 0517 | Konsole | Bracket | Konsole Unterlegkeil |
| 4 | F06 0744 | Kotflügel | Mud guard | 610 mm |
| 4 | F06 1359 | Druckfilter | Press filter | 1/2 ZL |
| 4 | F06 1447 | Druckluftbremsanlage | Compressed-air brake | ET5000/6000 |
| 4 | F06 1489 | Baugruppe | Assembly group | - |
| 4 | F06 1490 | Baugruppe | Assembly group | - |
| 4 | F13 0118 | Zweileitungsdruckluftbremse | 16 ZL STD FAD KPL 1670 mm | ET3500 |
| 4 | F13 0564 | Zweileitungsdruckluftbremse | 16 ZL STD FAD KPL 1670 mm | ET3500 |
| 4 | F16 0064 | Bremsachse | Braking axle | 2015 mm ET |
| 4 | F35 0366 | Bremsachse | Braking axle | GS12010 120x15x2000 10/280/335 |
| 4 | F35 0409 | Bremsachse | Braking axle | GS12010 120x15x2000 10/280/335 |
| 4 | F35 0471 | Bremsachse | Braking axle | GS11008 120x15x2015 8/220/275 |
| 4 | R74 1470 | Bremsachse | Braking axle | - |



| Pos. | Art.Nr. | Artikeltext / Description | Abmessung | |
|------|----------|---------------------------|----------------------|--------------------------|
| 5 | F02 0899 | Zugseil | Traction robe | - |
| 5 | F02 1042 | Armaturengruppe | Control center | EL/ET |
| 5 | F02 1047 | Adapter | Adapter | - |
| 5 | F03 0348 | Injektorbehälter | Injector tank | ECO/ET |
| 5 | F03 0377 | Einspülschlauch | Induction hose | KPL ET |
| 5 | F03 0403 | Injektorbehälter | Injector tank | ET |
| 5 | F03 0464 | Parallelführung | Parallel guiding | ET |
| 5 | F04 0155 | Injektorbehälter | Injector tank | KPL ET |
| 5 | F06 0470 | Super-Injektor | Super-Injektor | ET |
| 6 | F02 0714 | Halter | Holder | 40x242x1400 |
| 6 | F02 0978 | Tragarm | Supporting arm | 40x165x1195 HX/DL |
| 6 | F02 1073 | Anschlag | Stop | 50x50x265 |
| 6 | F02 1816 | Gleitschiene | Sliding part | SHS15-21 |
| 6 | F03 0154 | Ausweichgelenk | Joint | <24m SH |
| 6 | F03 0168 | Aufschlagbügel | Clamp | gr.20m SH re |
| 6 | F03 0271 | Anschlag | Stop | 77x265x417 |
| 6 | F03 0304 | Umlenkrolle | Return pulley | D110x87,5x195 DI30 |
| 6 | F03 0338 | Horizontaldämpfer | Horizontal damper | SH/HX |
| 6 | F03 0340 | Klapphebel | Foldable lever | HX |
| 6 | F03 0401 | Anschlag | Stop | KLP SH/EL |
| 6 | F03 0474 | Umlenkrolle | Return pulley | KPL HX/DL/SH20-24 |
| 6 | F03 0609 | Aufschlagbügel | Clamp | gr.20m SH li |
| 6 | F03 4575 | Anschlag | Stop | 77x265x417 li. |
| 6 | F04 0141 | Umlenkrolle | Return pulley | 40 ET |
| 6 | F04 0142 | Umlenkrolle | Return pulley | KPL 40 ET SP/SPH |
| 6 | F04 0145 | Umlenkrolle | Return pulley | SH20-24 |
| 6 | F04 0182 | Umlenkrolle | Return pulley | 94,8x172,6x1560 |
| 6 | F04 0196 | Ausweichgelenk | Joint | >24m SH |
| 6 | F06 0291 | Zubehör | Accessories | SH EL |
| 6 | F06 0319 | Gelenklager | Articulated bearing | kpl. Basis |
| 6 | F06 0555 | Teilbreitenschaltung | Width section switch | ELE HFR/5TB ET |
| 6 | F06 0556 | Teilbreitenschaltung | Width section switch | ELE HFR 6TB SH/SHS/HX ET |
| 6 | F06 0557 | Teilbreitenschaltung | Width section switch | ELE HFR 7TB SH/SHS/HX ET |
| 6 | F06 0560 | Teilbreitenschaltung | Width section switch | ELE HFR 8TB SH/SHS/HX ET |
| 6 | F06 0561 | Teilbreitenschaltung | Width section switch | ELE HFR 9TB SH/SHS/HX ET |
| 6 | F06 0758 | Teilbreitenhähnehalterung | Holder | KPL ET |

INHALTSVERZEICHNIS / CONTENTS

EuroTrain 2600 TC / 3500 TC



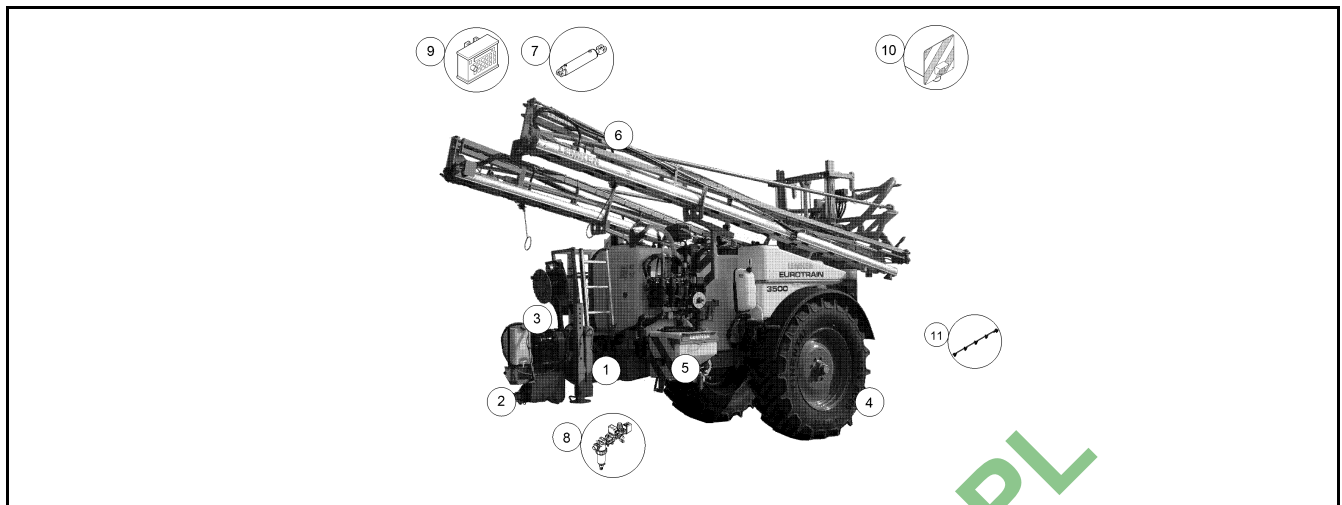
| Pos. | Art.Nr. | Artikeltext / Description | Abmessung | |
|------|----------|----------------------------|----------------------|---------------------------|
| 6 | F06 0759 | Teilbreitenhähnelhalterung | Holder | KPL ET |
| 6 | F06 0886 | Stoßdämpfer | Shock absorber | SHS20-24 |
| 6 | F06 0887 | Stoßdämpfer | Shock absorber | SPH/SH15/18 |
| 6 | F06 0888 | Hubkonsole | Raise bracket | ET |
| 6 | F06 0889 | Hubkonsole | Raise bracket | ET |
| 6 | F06 0895 | Hubmast | Lift mast | 765x1585x3060 |
| 6 | F06 0896 | Hubmast | Lift mast | 765x1585x3060 |
| 6 | F06 0900 | Schlitten | Slide | 1021x635x482 |
| 6 | F06 0901 | Führung | Guiding | SH20-24 |
| 6 | F06 0902 | Führung | Guiding | 60x337x60 2xd12,5 |
| 6 | F06 0903 | Schlitten | Slide | 1021x635x482 |
| 6 | F06 0904 | Pendelführung | Pendulum guiding | SH20-24 |
| 6 | F06 0905 | Pendelführung | Pendulum guiding | 131x225x690 |
| 6 | F06 0906 | Anschlagsatz | Stop set | 260x479x1183 |
| 6 | F06 0907 | Anschlagsatz | Stop set | 212,3x265x517,2 SHS re+li |
| 6 | F06 0908 | Anschlagsatz | Stop set | 256x408x907 |
| 6 | F06 0910 | Transportaufnahme | Holder | 260x304x2250 |
| 6 | F06 0911 | Transportaufnahme | Holder | 260x304x2250 |
| 6 | F06 0920 | Hubmast | Lift mast | 614,5x1180x2795 |
| 6 | F06 0924 | Hubmast | Lift mast | 614,5x1270x2785 |
| 6 | F06 0925 | Hubmast | Lift mast | 614,5x1270x2785 |
| 6 | F06 0927 | Hubmast | Lift mast | 614,5x1270x2785 |
| 6 | F06 0940 | Kit | Set | - |
| 6 | F06 0950 | Kit | Set | - |
| 6 | F06 1147 | Spritzgestänge | Linkage | HX 24-28 |
| 6 | F06 1162 | Spritzgestänge | Linkage | HX 24 |
| 6 | F06 1172 | Spritzgestänge | Linkage | HX27 |
| 6 | F06 1178 | Spritzgestänge | Linkage | HX 28 |
| 6 | F06 1386 | Spritzgestänge | Linkage | HX 24 KPL |
| 6 | F06 1388 | Spritzgestänge | Linkage | HX 27 KPL |
| 6 | F06 1390 | Spritzgestänge | Linkage | HX 28 KPL |
| 6 | F06 1416 | Gelenkstück | Connecting piece | 80x156,2x597 |
| 6 | F06 1444 | Hangverstellung | Slope compensation | SH/HX/DLA |
| 6 | F06 1459 | Druckspeicher | Pressure accumulator | HX/DL 21-27 |
| 6 | F06 1665 | Führung | Guiding | 70x97,5x347 |
| 6 | F06 1670 | Gelenk | Link | RE HX |
| 6 | F06 1672 | Rollenführung | Guide rollers | KPL HX/DL |



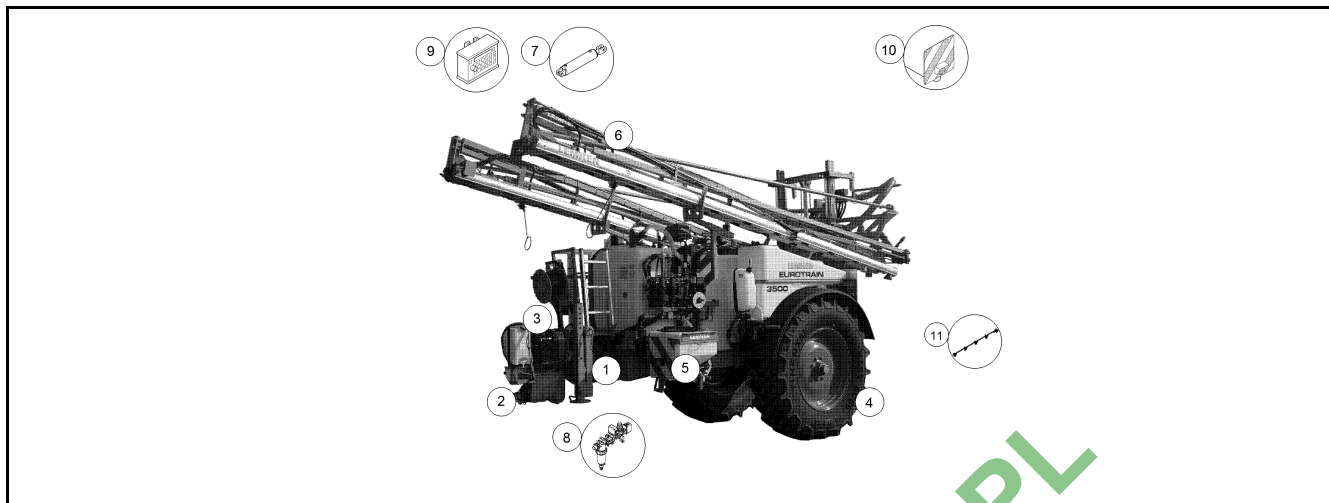
| Pos. | Art.Nr. | Artikeltext / Description | Abmessung | |
|------|----------|---------------------------|----------------------|--------------------------------|
| 6 | F06 1818 | Pendelführung | Pendulum guiding | HX/DL/DLA |
| 6 | F06 1824 | Hubmast | Lift mast | 832x2066x3060 |
| 6 | F06 1825 | Anschlag | Stop | 87,5x265x525 HX/DL li. |
| 6 | F06 1858 | Anschlag | Stop | 212,3x265x517,2 li. |
| 6 | F06 2323 | Gelenk | Link | LI HX |
| 6 | F06 2410 | Mittelteil | Center section | SPH |
| 6 | F07 0140 | Hubmast | Lift mast | 614,5x1270x2785 SHS15 |
| 6 | F07 0141 | Hubmast | Lift mast | 558x1264x2820,6 |
| 6 | F07 0142 | Hubmast | Lift mast | 557,5x2250,7x2795 |
| 6 | F07 0145 | Hubmast | Lift mast | KPL HX |
| 6 | F07 0146 | Hubmast | Lift mast | 765x1585x3060 |
| 6 | F13 0066 | Gleitschiene | Sliding part | 65x90x990 |
| 6 | F13 0093 | Flüssigkeitsrohr | Tube | 4 DUE 1F |
| 6 | F13 0125 | Gleitschiene | Sliding part | 100x201x1135 |
| 6 | F13 0183 | Kit | Set | - |
| 6 | F13 0288 | Kit | Set | - |
| 6 | F16 0075 | Teilbreitenschaltung | Width section switch | ELE 8TB SH/SHS/HX ET |
| 6 | F16 0076 | Teilbreitenschaltung | Width section switch | ELE 9TB SH/SHS/HX ET |
| 6 | F16 0077 | Teilbreitenschaltung | Width section switch | ELE 11TB SH/SHS/HX ET |
| 6 | F16 0078 | Teilbreitenschaltung | Width section switch | ELE 13TB SH/SHS/HX ET |
| 6 | F16 0109 | Schlauchhalter | Hose carrier | KPL DLA/ET |
| 6 | F16 0110 | Teilbreitenschaltung | Width section switch | ELE 6TB DLA/ET |
| 6 | F16 0111 | Teilbreitenschaltung | Width section switch | ELE 7TB DLA/ET |
| 6 | F16 0112 | Teilbreitenschaltung | Width section switch | ELE 8TB DLA/ET |
| 6 | F16 0113 | Teilbreitenschaltung | Width section switch | ELE 9TB DLA/ET |
| 6 | F16 0114 | Teilbreitenschaltung | Width section switch | ELE 11TB DLA/ET |
| 6 | F16 0115 | Teilbreitenschaltung | Width section switch | ELE 13TB DLA/ET |
| 6 | F16 0116 | Teilbreitenschaltung | Width section switch | ELE 8TB DLA/ET |
| 6 | F16 0117 | Teilbreitenschaltung | Width section switch | ELE 9TB DLA/ET |
| 6 | F16 0118 | Teilbreitenschaltung | Width section switch | ELE 11TB DLA/ET |
| 6 | F16 0119 | Teilbreitenschaltung | Width section switch | ELE 13TB DLA/ET |
| 6 | F16 0124 | Teilbreitenschaltung | Width section switch | ELE 6TB SH/SHS/HX ET |
| 6 | F16 0125 | Teilbreitenschaltung | Width section switch | ELE 7TB SH/SHS/HX ET |
| 6 | F16 0126 | Teilbreitenschaltung | Width section switch | ELE 5TB SH/SHS/HX ET |
| 6 | F17 0001 | Hubmast | Lift mast | 614,5x1100x2795 |
| 6 | F61 0582 | Teilbreitenventil | Valve | D13 463 |
| 6 | F61 3858 | Teilbreitenarmatur | Fitting | 4TB Elcomat
 Serie 4 |

INHALTSVERZEICHNIS / CONTENTS

EuroTrain 2600 TC / 3500 TC



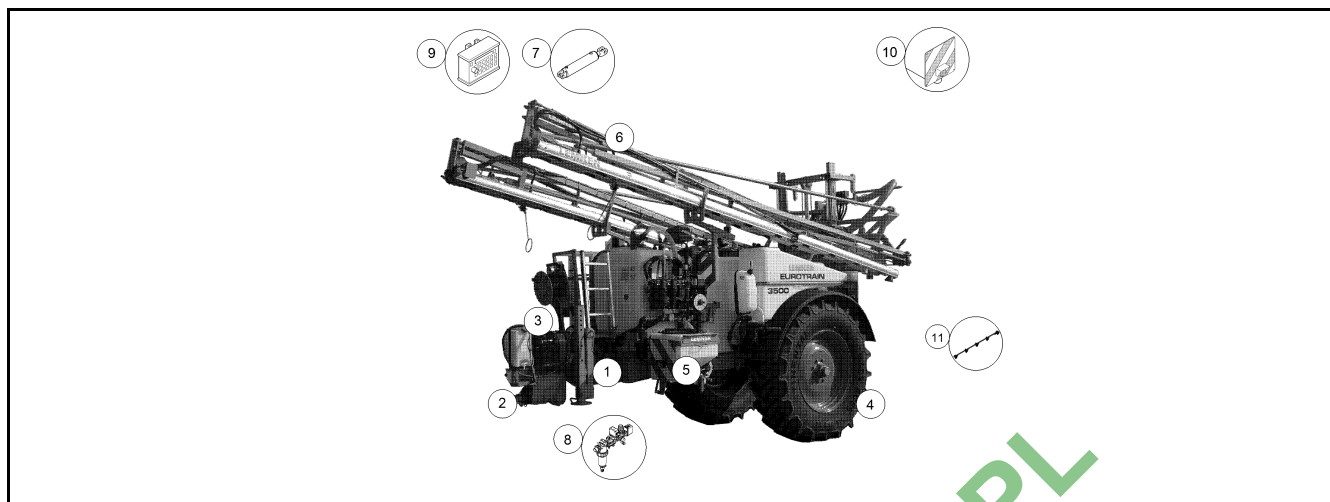
| Pos. | Art.Nr. | Artikeltext / Description | Abmessung | |
|------|----------|---------------------------|----------------------|--------------------------------|
| 6 | F61 3859 | Teilbreitenarmatur | Fitting | 5TB Elcomat
 Serie 4 |
| 6 | F61 3860 | Teilbreitenarmatur | Fitting | 6TB Elcomat
 Serie 4 |
| 6 | F61 3861 | Teilbreitenarmatur | Fitting | 7TB Elcomat
 Serie 4 |
| 7 | 57510248 | Hydraulikzylinder | Hydraulic ram | DZ60/50x530x1238 |
| 7 | 57510251 | Hydraulikzylinder | Hydraulic ram | EZ50x1025x1225 |
| 7 | 57510253 | Hydraulikzylinder | Hydraulic ram | EZ60x1125x1325 |
| 7 | F03 0559 | Hydraulikzylinder | Hydraulic ram | HX/DLA |
| 7 | F06 0890 | Hydraulikzylinder | Hydraulic ram | DZ055/40x1000-1190 D30 D20 |
| 7 | F06 0891 | Hydraulikzylinder | Hydraulic ram | EZ50x1025x1225 |
| 7 | F06 1021 | Hydraulikzylinder | Hydraulic ram | ET |
| 7 | F60 0507 | Hydraulikzylinder | Hydraulic ram | DZ090/45x0320-0610 D30 D30 |
| 7 | F60 0519 | Hydraulikzylinder | Hydraulic ram | - |
| 7 | F60 0520 | Hydraulikzylinder | Hydraulic ram | DZ055/40x1000-1190 D30 D20 |
| 8 | 57810119 | Kugelventil | Ball valve | G1 1/4 ZL |
| 8 | 57810121 | Kugelventil | Ball valve | G2 ZL |
| 8 | F01 4562 | Kugelventil | Ball valve | 5/.. G1 1/2 ZL ET/PneuTec |
| 8 | F02 0630 | Ablasseinrichtung | Drain device | ET |
| 8 | F02 0782 | Düse | Nozzle | EL/ET |
| 8 | F02 0958 | Sauganschluss | Suction nipple | ET |
| 8 | F02 1188 | Ventil | Valve | 5/.. ET |
| 8 | F02 1194 | Sauganschluss | Suction nipple | G1-1/2ZL |
| 8 | F02 1229 | Rücklauführwerk | Agitator | ET2600 |
| 8 | F02 1230 | Injektorrührwerk | Injector agitator | ET2600 |
| 8 | F02 1267 | Injektorrührwerk | Injector agitator | ET3500 |
| 8 | F02 1268 | Saugfilter | Suction filter | G2 ZLA Eurotrain 50mesh |
| 8 | F02 1272 | Rücklauführwerk | Agitator | ET3500 |
| 8 | F02 1527 | Füllanschluss | Filling connection | 8 m 3 ZL |
| 8 | F02 1586 | Belüftungseinrichtung | Ventilation | G2 ZL ET3500 |
| 8 | F02 1593 | Belüftungsventil | Ventilation valve | G2 ZL ET |
| 8 | F02 1683 | Druckfilter | Press filter | G1/2ZL 80 |
| 8 | F02 1684 | Druckfilter | Press filter | KPL ET |
| 8 | F02 1685 | Hahngruppe | --- | ET |
| 8 | F02 1686 | Hahngruppe | --- | ET |
| 8 | F02 1791 | Hydrantbefülldom | Hydrant filling dome | G2 ZL ET |
| 8 | F02 1837 | Saugkit | Suction kit | ET |



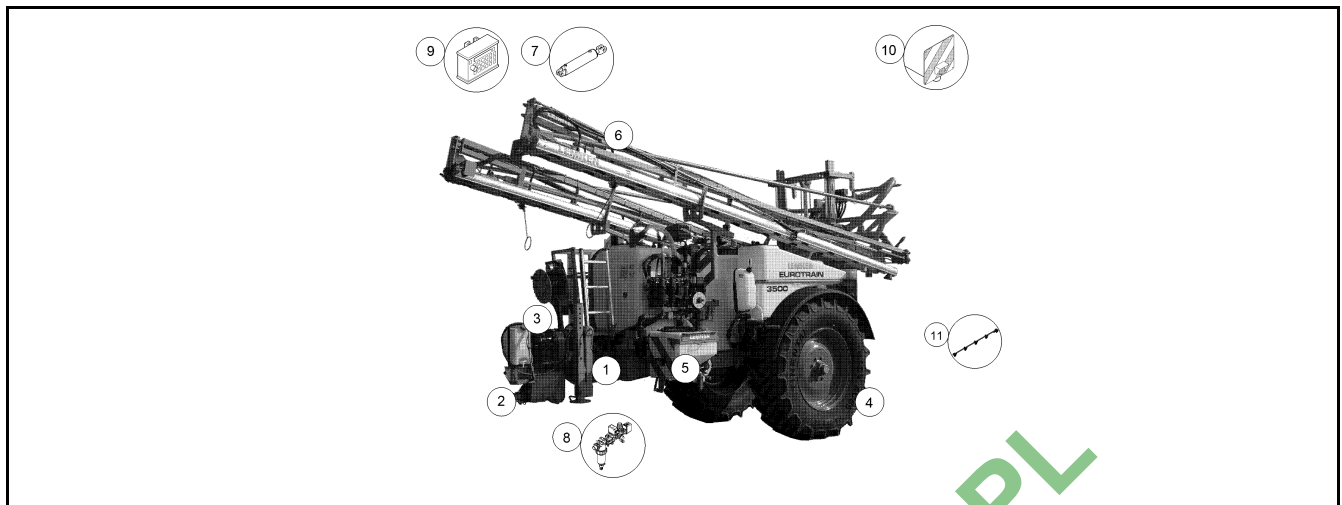
| Pos. | Art.Nr. | Artikeltext / Description | Abmessung |
|------|----------|---------------------------|--------------------|
| 8 | F02 1882 | Kit | Set |
| 8 | F02 1895 | Hahngruppe | --- |
| 8 | F02 4571 | Adapter | Adapter |
| 8 | F02 4725 | Füllschlauch | Filling hose |
| 8 | F02 4727 | Füllschlauch | Filling hose |
| 8 | F03 0344 | Saugfilter | Suction filter |
| 8 | F03 0346 | Füllstandsanzeige | Level control |
| 8 | F03 0349 | Auslauf | Orifice |
| 8 | F03 0367 | Pumpe | Pump |
| 8 | F03 0425 | Pumpe | Pump |
| 8 | F03 0610 | Kit | Set |
| 8 | F03 4595 | Füllstandsanzeige | Level control |
| 8 | F04 0153 | Armaturengruppe | Control center |
| 8 | F04 0159 | Schaltarmatur | Switch fitting |
| 8 | F04 0175 | Pumpe | Pump |
| 8 | F04 0176 | Pumpe | Pump |
| 8 | F06 0138 | Zentralschaltarmatur | Fitting |
| 8 | F06 0141 | Hahngruppe | --- |
| 8 | F06 0143 | Hahngruppe | --- |
| 8 | F06 0144 | Kit | Set |
| 8 | F06 0145 | Kit | Set |
| 8 | F06 0147 | Kit | Set |
| 8 | F06 0148 | Kit | Set |
| 8 | F06 0149 | Kit | Set |
| 8 | F06 0152 | Super-Injektor | Super-Injector |
| 8 | F06 0154 | Super-Injektor | Super-Injector |
| 8 | F06 0155 | Behälterinnenreinigung | Interior cleaning |
| 8 | F06 0298 | Düse | Nozzle |
| 8 | F06 0311 | Seilführung | Guiding |
| 8 | F06 0315 | Füllanschluss | Filling connection |
| 8 | F06 0316 | VerbindungsKit | 90 GRD |
| 8 | F06 0320 | Hydrantbefüllung | Hydrant filling |
| 8 | F06 0328 | Befülldom | Filling dome |
| 8 | F06 0429 | Pumpe | Pump |
| 8 | F06 0430 | Pumpe | Pump |
| 8 | F06 0446 | Füllstandsanzeige | Level control |
| 8 | F06 0447 | Füllstandsanzeige | Level control |

INHALTSVERZEICHNIS / CONTENTS

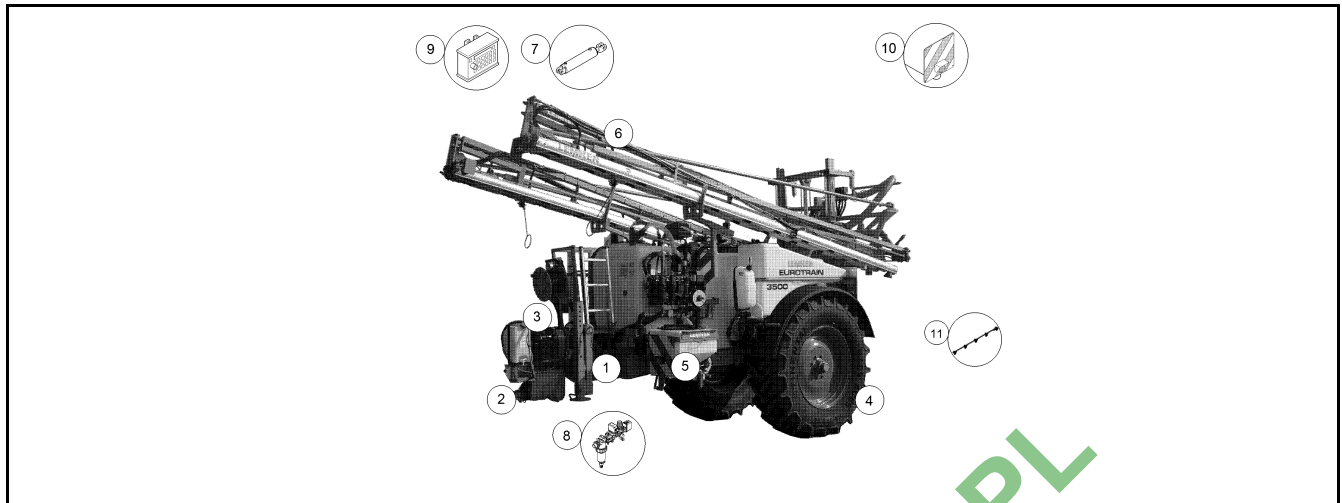
EuroTrain 2600 TC / 3500 TC



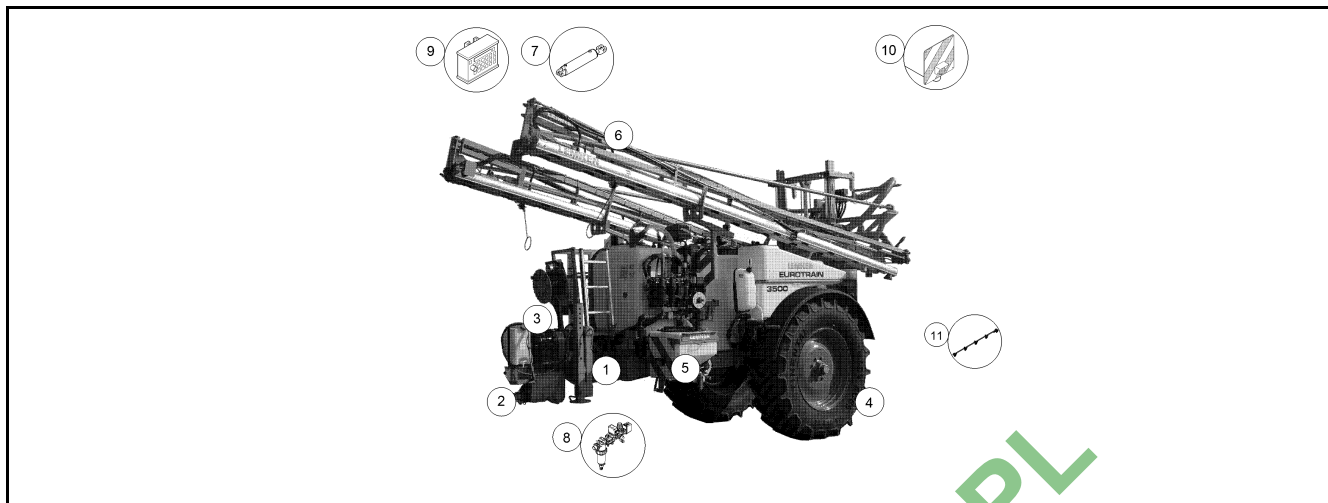
| Pos. | Art.Nr. | Artikeltext / Description | Abmessung | |
|------|----------|---------------------------|-----------------------|----------------|
| 8 | F06 0456 | Armaturengruppe | Control center | HFR ET2600 |
| 8 | F06 0457 | Armaturengruppe | Control center | HFR ET3500 |
| 8 | F06 0458 | Armaturengruppe | Control center | ET2600 |
| 8 | F06 0459 | Armaturengruppe | Control center | ET3500 |
| 8 | F06 0467 | Super-Injektor | Super-Injector | ET |
| 8 | F06 0475 | Saugtrakt | Suction wing | ET3500 |
| 8 | F06 0479 | Außenreinigung | External cleaning | ET |
| 8 | F06 0480 | Außenreinigung | External cleaning | ET |
| 8 | F06 0486 | Klarwasserbehälter | Clean water tank | 2x280 ET2600 |
| 8 | F06 0487 | Klarwasserbehälter | Clean water tank | 2x280 ET3500 |
| 8 | F06 0544 | Durchflussmesser | Flowmeter | 1 ZL ET2600 |
| 8 | F06 0545 | Durchflussmesser | Flowmeter | 1 ZL ET3500 |
| 8 | F06 0550 | Durchflussmesser | Flowmeter | 1 ZL ET2600 |
| 8 | F06 0551 | Durchflussmesser | Flowmeter | 1 ZL ET3500 |
| 8 | F06 0593 | Hydrantbefüllung | Hydrant filling | ET3500 |
| 8 | F06 0594 | Hydrantbefüllung | Hydrant filling | ET3500 |
| 8 | F06 0668 | VerbindungsKit | 90 GRD | - |
| 8 | F06 0708 | Armaturengruppe | Control center | HFR ET |
| 8 | F06 0709 | Armaturengruppe | Control center | ET |
| 8 | F06 0711 | VerbindungsKit | 90 GRD | ECO/ET |
| 8 | F06 0714 | Innenreinigung | Internal cleaning set | ET2600 |
| 8 | F06 0716 | Innenreinigung | Internal cleaning set | ET3500 |
| 8 | F06 0727 | Klarwasserbehälter | Clean water tank | 2x280 ET |
| 8 | F06 0730 | Kotflügel | Mud guard | ET2600 |
| 8 | F06 0737 | Kotflügel | Mud guard | ET3500 |
| 8 | F06 0799 | Auslauf | Orifice | ET3500 |
| 8 | F06 0930 | Kit | Set | - |
| 8 | F06 0931 | Hahngruppe | --- | ELE |
| 8 | F06 0944 | Manometereinheit | Manometer unit | ET |
| 8 | F06 0955 | Durchflussmesser | Flowmeter | 1 ZL KPL ET |
| 8 | F06 0956 | Durchflussmesser | Flowmeter | 1 ZL KPL ET |
| 8 | F06 0959 | Durchflussmesser | Flowmeter | DN20 KPL ET |
| 8 | F06 0962 | Grundarmatur | Fitting group | ET/HFR |
| 8 | F06 1443 | VerbindungsKit | 90 GRD | ET |
| 8 | F06 1857 | Außenreinigung | External cleaning | ET |
| 8 | F06 1875 | Pumpe | Pump | ET5000 |
| 8 | F06 1884 | Schlauchhalter | Hose carrier | ET |



| Pos. | Art.Nr. | Artikeltext / Description | Abmessung | |
|------|----------|---------------------------|-------------------------|---------------------|
| 8 | F06 2113 | Füllanschluss | Filling connection | 8 m 3 ZL |
| 8 | F06 2187 | Saugfilter | Suction filter | 3 ZL ET5000 |
| 8 | F06 2239 | Pumpenantrieb | Pump drive | BP280 |
| 8 | F06 2312 | Saugtrakt | Suction wing | ET2600 |
| 8 | F06 2313 | Auslauf | Orifice | ET2600 |
| 8 | F06 2341 | Hydrantbefüllung | Hydrant filling | ET2600 |
| 8 | F06 2342 | Hydrantbefüllung | Hydrant filling | ET2600 |
| 8 | F06 2346 | Seilführung | Guiding | ET5000 |
| 8 | F13 0001 | Belüftungsventil | Ventilation valve | G2 ZL ET |
| 8 | F13 0375 | Behälterinnenreinigung | Interior cleaning | HFR/ET2600 |
| 8 | F13 0380 | Behälterinnenreinigung | Interior cleaning | ET2600/3500 |
| 8 | F13 0534 | Füllanschluss | Filling connection | ET2600 |
| 8 | F13 0535 | Verbindungskit | 90 GRD | ET2600 |
| 8 | F16 0063 | Verbindungskit | 90 GRD | ET |
| 8 | F40 0374 | Durchflussmesser | Flowmeter | G1-1/4ZLA 1ZL Titan |
| 8 | F40 0408 | Durchflussmesser | Flowmeter | G1-1/4ZL 1ZL Ti |
| 8 | F41 0423 | Motor | Motor | KPL HFR |
| 8 | F45 0225 | Deckel | Cap | D400 |
| 8 | F61 0127 | Kugelventil | Ball valve | 2/2 G1/2ZLI |
| 8 | F61 0129 | Kugelventil | Ball valve | 2/2 G3/4ZLI |
| 8 | F61 0133 | Kugelventil | Ball valve | 2/2 G1-1/4ZLI |
| 8 | F61 0135 | Kugelventil | Ball valve | 2/2 G1-1/2ZLI |
| 8 | F61 0137 | Kugelventil | Ball valve | 2/2 G2ZLI |
| 8 | F61 0139 | Kugelventil | Ball valve | 3/3 G1-1/4ZLI |
| 8 | F61 0144 | Kugelventil | Ball valve | 3/3 G1-1/4ZLI |
| 8 | F61 0146 | Kugelventil | Ball valve | 3/3 G2ZLI |
| 8 | F61 0180 | Kugelventil | Ball valve | G2ZLA 4/5 |
| 8 | F61 0795 | Regelhahn | Adjustment tap | - |
| 8 | F61 0802 | Kugelventil | Ball valve | G1-1/4ZL 2/2 12V A4 |
| 8 | F61 2580 | Druckfilter | Press filter | Flange, 50 mesh bl |
| 8 | F61 2641 | Druckfilter | Press filter | KPL |
| 8 | F61 2865 | Kanisterspüldüse | Canister rinsing nozzle | G1/2 |
| 8 | F61 3862 | Pumpe | Pump | BP280K |
| 8 | F61 3879 | Kugelventil | Ball valve | 5/.. KPL G11/2 ZL |
| 8 | F61 3882 | Zentralschaltventil | Valve | - |
| 8 | F61 3900 | Zentralschaltarmatur | Fitting | HFR |
| 8 | F61 3905 | Pumpe | Pump | BP235K |



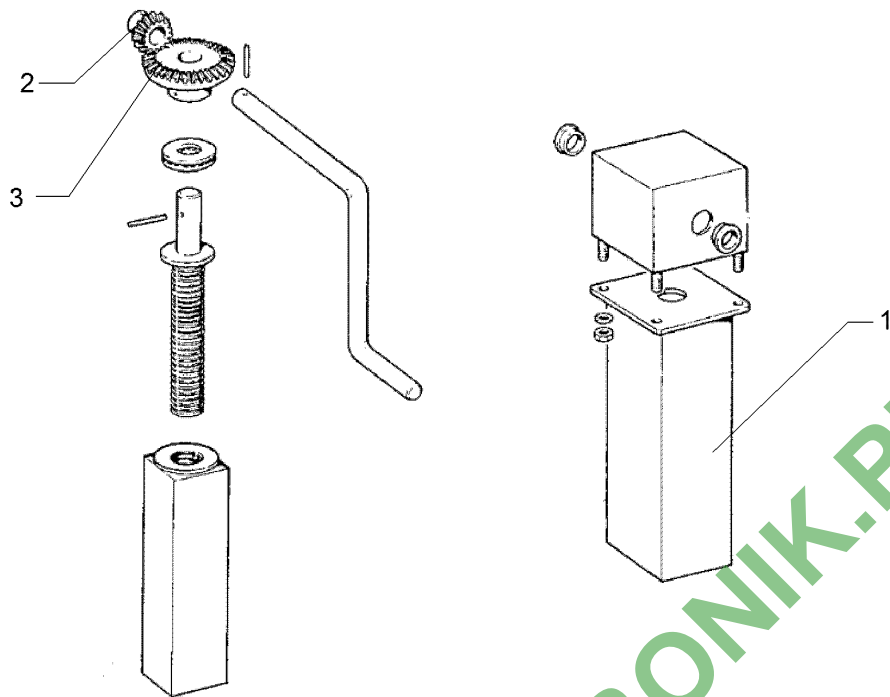
| Pos. | Art.Nr. | Artikeltext / Description | Abmessung |
|------|----------|---|---------------------|
| 8 | F61 4020 | Druckfilter Press filter | - |
| 9 | 673 4981 | Terminalhalter Holder | CCI-200 |
| 9 | 673 4982 | Terminalhalter Holder | LKT/LBT/LST |
| 9 | 673 6216 | Kameraüberwachung Camera monitoring | KPL |
| 9 | 673 6217 | Kameraüberwachung Camera monitoring | KPL |
| 9 | 673 6218 | Kameraüberwachung Camera monitoring | CCI-200 |
| 9 | 67310016 | CCI-200 CCI-200 | KPL Euro-Train |
| 9 | 67310064 | D-GPS Empfänger D-GPS receiver | A100 |
| 9 | 67310067 | Kameraüberwachung Camera monitoring | CCI 2x |
| 9 | 67310072 | Section Control Section Control | CCI.Command PT+SC |
| 9 | 67310074 | S-Box S-Box | 7TB |
| 9 | 67310076 | S-Box S-Box | 9TB CPC |
| 9 | 67310077 | S-Box S-Box | CPC 11TB |
| 9 | 67310078 | S-Box 13TB S-Box | CPC |
| 9 | F40 0317 | ISO-Jobrechner-II ISO-job computer-II | - |
| 9 | F40 0351 | Grundausrüstung Basic equipment | - |
| 9 | F40 0451 | Halter Holder | - |
| 9 | F40 0454 | Anschlusskabel Connecting cable | - |
| 9 | F40 0461 | Sensor Sensor | - |
| 9 | F40 0463 | Multifunktionsgriff Multifunctional handle | - |
| 9 | F40 0474 | TRAIL-Control TRAIL-Control | ISOBUS |
| 9 | F40 0540 | S-Box S-Box | 9TB |
| 9 | F40 2175 | Batteriekabel Cable | 2x4 mm ² |
| 9 | F41 0204 | Kabel Cable | 1000 mm |
| 9 | F41 0205 | Kabel Cable | 1900 mm |
| 9 | F41 0212 | Kabel Cable | 8M-LBS-/ISOBUS |
| 9 | F41 0214 | Kabelbaum Cable form | A |
| 9 | F41 0215 | Kabelbaum Cable form | B |
| 9 | F41 0216 | Kabelbaum Cable form | C |
| 11 | F02 0853 | Flüssigkeitsrohr Tube | 4 DUE 1F |
| 11 | F02 0856 | Flüssigkeitsrohr Tube | 2 DUE 1F |
| 11 | F02 0857 | Flüssigkeitsrohr Tube | 6 DUE 1F |
| 11 | F02 0858 | Flüssigkeitsrohr Tube | 5 DUE 1F |
| 11 | F02 0859 | Flüssigkeitsrohr Tube | 1 DUE 1F |
| 11 | F02 0863 | Flüssigkeitsrohr Tube | 3 DUE 1F |



| Pos. | Art.Nr. | Artikeltext / Description | Abmessung |
|------|----------|---------------------------|-----------|
| 11 | F02 0864 | Flüssigkeitsrohr Tube | 2 DUE 1F |
| 11 | F02 1131 | Membrandüsenhalter Holder | 1F |
| 11 | F02 1887 | Flüssigkeitsrohr Tube | 4 DUE 1F |
| 11 | F02 1890 | Flüssigkeitsrohr Tube | 6DUE 3F |
| 11 | F02 1902 | Flüssigkeitsrohr Tube | 2 DUE 3F |
| 11 | F02 1903 | Flüssigkeitsrohr Tube | 1 DUE 3F |
| 11 | F02 1904 | Flüssigkeitsrohr Tube | 2 DUE 3F |
| 11 | F02 1907 | Flüssigkeitsrohr Tube | 4DUE 3F |
| 11 | F13 0094 | Flüssigkeitsrohr Tube | 4 DUE 3F |
| 11 | F13 0136 | Membrandüsenhalter Holder | 3F |

WWW.ROLTRONIK.PL

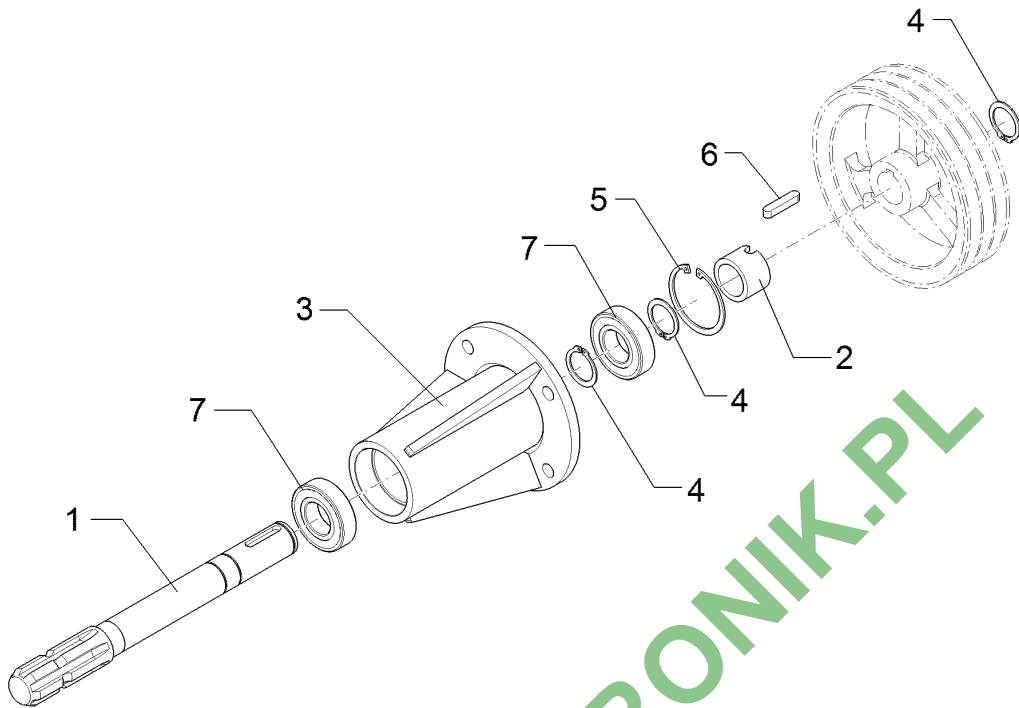
| | |
|-------------------------------------|----------|
| Stützenoberteil/Support, upper part | 1 |
| EuroTrain 2600 TC / 3500 TC | F02 0609 |



06.17

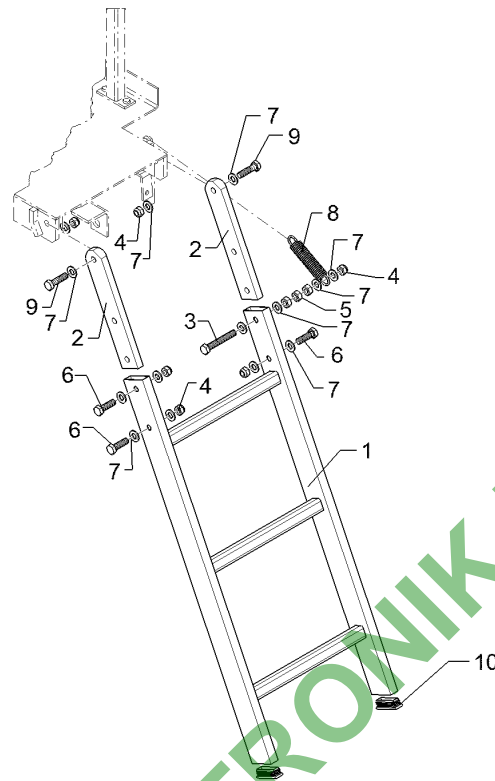
| Pos. | Art.Nr. | Stck. | Artikeltext / Description | Abmessung |
|------|----------|-------|---------------------------|-----------|
| 1 | F02 4842 | 1 | Stützenoberteil | - |
| 2 | F03 0264 | 1 | Kegelrad | z=16 |
| 3 | F03 0265 | 1 | Tellerrad | z=32 |

| | |
|---|-----------------|
| Flanschlager/Flange-type bearing | 1 |
| EuroTrain 2600 TC / 3500 TC | F02 0617 |



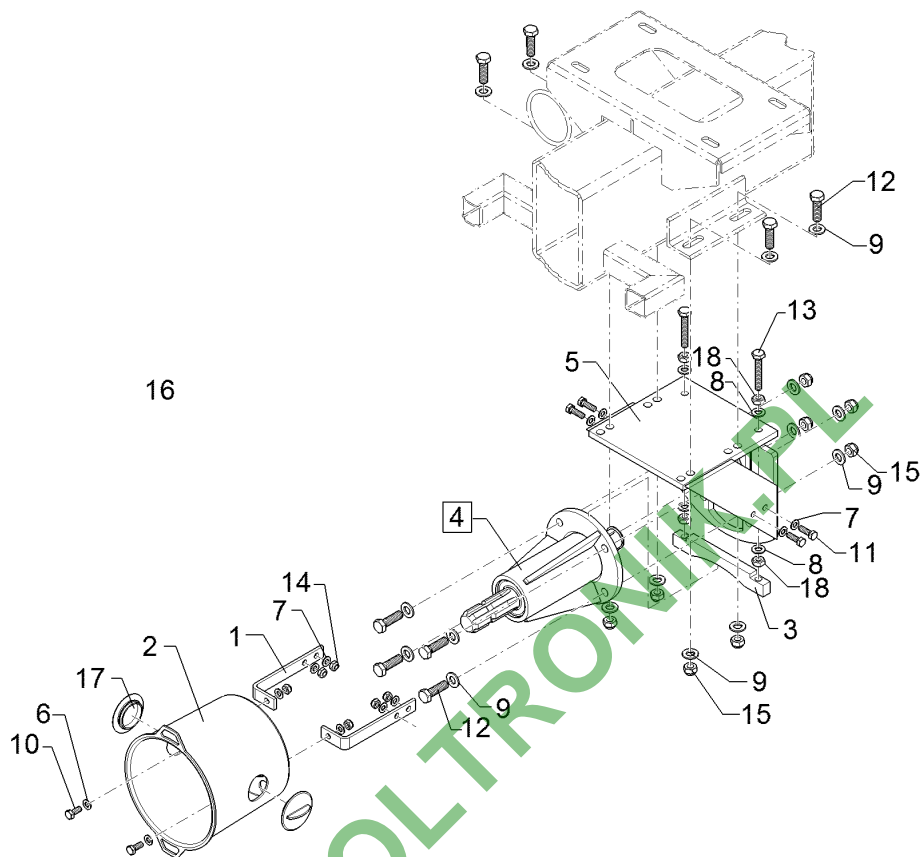
06.17

| Pos. | Art.Nr. | Stck. | Artikeltext / Description | Abmessung | |
|------|----------|-------|---------------------------|----------------------|-------------------------|
| 1 | F01 0472 | 1 | Profilwelle | Profile shaft | 1-3/8ZL 6tg 30x318 |
| 2 | F01 0915 | 1 | Distanzhülse | Distance bush | 30/40X27 |
| 3 | F02 1830 | 1 | Flanschlager | Flange-type bearing | 152x172 2xd62 |
| 4 | 30510045 | 3 | Sicherungsring | Retaining ring | 30x1,5 DIN471 Zn |
| 5 | F20 0370 | 1 | Sicherungsring | Retaining ring | A62x2 DIN472 blank |
| 6 | F20 0800 | 1 | Passfeder | Adjusting spring | A8x7x40-St60 DIN6885 |
| 7 | 319 8594 | 2 | Rillenkugellager | Grooved ball bearing | 6206-2RS1 |



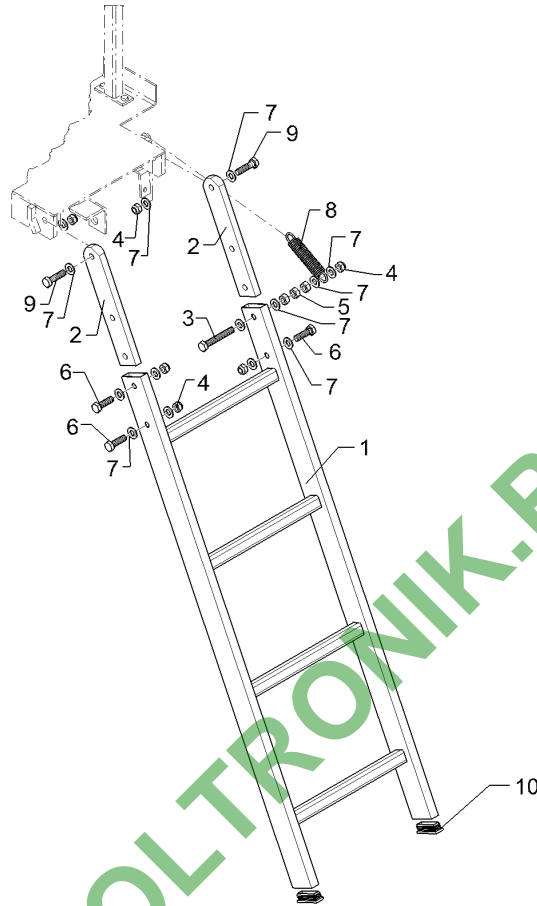
06.17

| Pos. | Art.Nr. | Stck. | Artikeltext / Description | Abmessung | |
|------|----------|-------|---------------------------|-----------------|-------------------|
| 1 | F12 0006 | 1 | Sprossenleiter | Ladder | ET |
| 2 | F11 0033 | 2 | Flach | Flat steel | 50x15x260 3xd12,5 |
| 3 | 30110383 | 1 | Sechskantschraube | Hexagon bolt | M12x80-A2 DIN933 |
| 4 | 30310030 | 6 | Sicherungsmutter | Selflocking nut | NM12 DIN985-A4 |
| 5 | 30310025 | 3 | Sechskantmutter | Hexagon nut | M12 DIN934-A4 |
| 6 | 301 7538 | 3 | Sechskantschraube | Hexagon bolt | M12x40 A2 DIN933 |
| 7 | 305 8709 | 14 | Scheibe | Washer | 13 DIN125-A A2 |
| 8 | F25 0192 | 1 | Zugfeder | Spring | 25a.x3,6x122 V2A |
| 9 | 30110604 | 2 | Sechskantschraube | Hexagon bolt | M12x45-A2 DIN931 |
| 10 | F55 0235 | 2 | Stopfen | Plug | 60x20x1,5-2 RI bk |



06.17

| Pos. | Art.Nr. | Stck. | Artikeltext / Description | Abmessung | |
|------|----------|-------|---------------------------|---------------------|------------------------|
| 1 | F01 0920 | 2 | Halter | Holder | 20x5x191 3xd9 90GRD |
| 2 | F01 1583 | 1 | Zapfwellenschutz | PTO guard | 2xD43 |
| 3 | F01 2505 | 1 | Druckplatte | Pressure plate | 28x190x15 2xd11 |
| 4 | F02 0617 | 1 | Flanschlager | Flange-type bearing | EuroTrain |
| 5 | F02 1649 | 1 | Lagerbock | Bearing block | - |
| 6 | F20 0125 | 2 | Scheibe | Washer | 8,5x30x3 |
| 7 | 305 8695 | 10 | Scheibe | Washer | A8,4 DIN125 A2 |
| 8 | 305 8704 | 4 | Scheibe | Washer | A10,5 DIN125-St A2 |
| 9 | 305 8709 | 8 | Scheibe | Washer | 13 DIN125-A A2 |
| 10 | 301 6751 | 2 | Sechskantschraube | Hexagon bolt | M8x20-A2 DIN933 |
| 11 | 301 7518 | 4 | Sechskantschraube | Hexagon bolt | M8x25-A2 DIN933 |
| 12 | 301 7538 | 8 | Sechskantschraube | Hexagon bolt | M12x40 A2 DIN933 |
| 13 | 30110372 | 2 | Sechskantschraube | Hexagon bolt | M10x70-A2 DIN933 |
| 14 | 30310043 | 6 | Sicherungsmutter | Selflocking nut | NM8 DIN985-A4 |
| 15 | 30310030 | 8 | Sicherungsmutter | Selflocking nut | NM12 DIN985-A4 |
| 16 | 30510189 | 8 | Scheibe | Washer | 14/28x3 Zn DIN1440 |
| 17 | F55 0191 | 2 | Stopfen | Plug | - |
| 18 | 30310024 | 4 | Sechskantmutter | Hexagon nut | M10 DIN934-A4 |

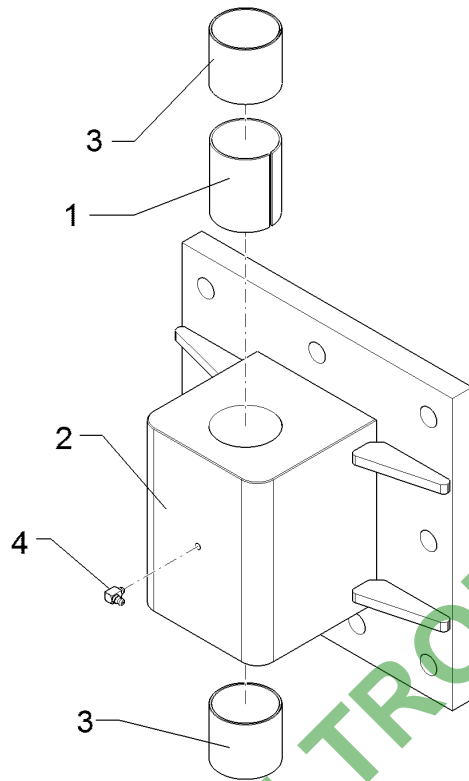


06.17

| Pos. | Art.Nr. | Stck. | Artikeltext / Description | Abmessung | |
|------|----------|-------|---------------------------|-----------------|-------------------|
| 1 | F12 0007 | 1 | Leiter | Ladder | 60x340x1125 4Sp |
| 2 | F11 0033 | 2 | Flach | Flat steel | 50x15x260 3xd12,5 |
| 3 | 30110383 | 2 | Sechskantschraube | Hexagon bolt | M12x80-A2 DIN933 |
| 4 | 30310030 | 6 | Sicherungsmutter | Selflocking nut | NM12 DIN985-A4 |
| 5 | 30310025 | 3 | Sechskantmutter | Hexagon nut | M12 DIN934-A4 |
| 6 | 301 7538 | 3 | Sechskantschraube | Hexagon bolt | M12x40 A2 DIN933 |
| 7 | 305 8709 | 14 | Scheibe | Washer | 13 DIN125-A A2 |
| 8 | F25 0192 | 1 | Zugfeder | Spring | 25a.x3,6x122 V2A |
| 9 | 30110604 | 2 | Sechskantschraube | Hexagon bolt | M12x45-A2 DIN931 |
| 10 | F55 0235 | 2 | Stopfen | Plug | 60x20x1,5-2 RI bk |

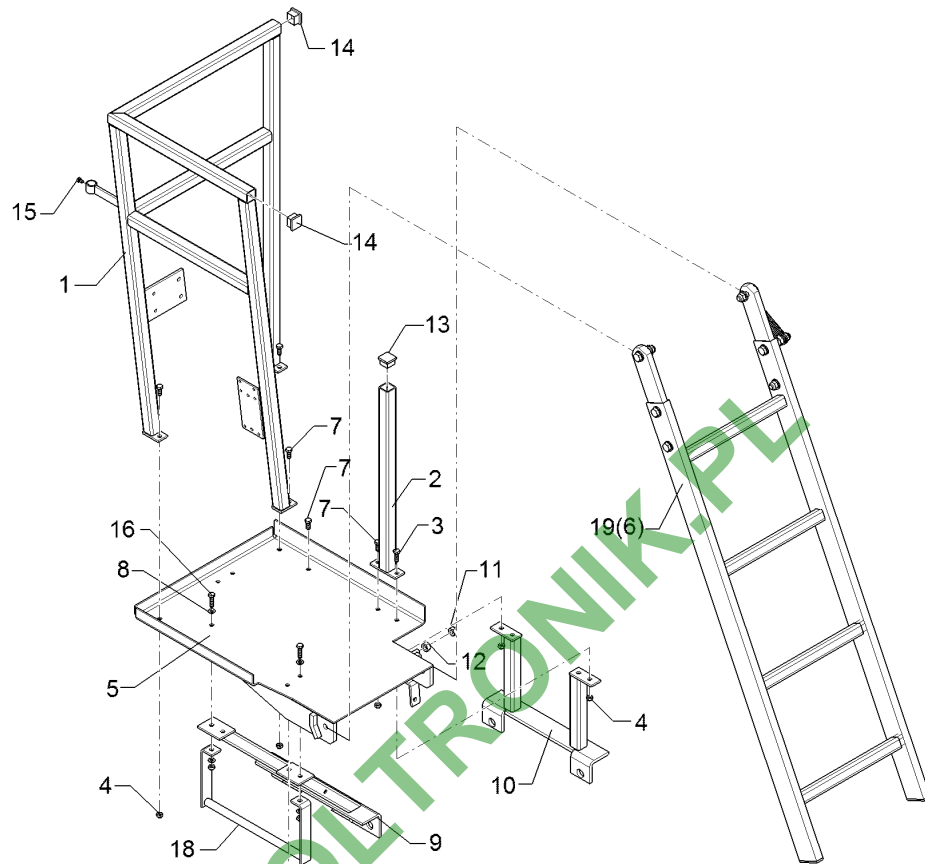
| | |
|------------------|---|
| Lagerung/Bearing | 1 |
|------------------|---|

| | |
|-----------------------------|----------|
| EuroTrain 2600 TC / 3500 TC | F03 0417 |
|-----------------------------|----------|



06.17

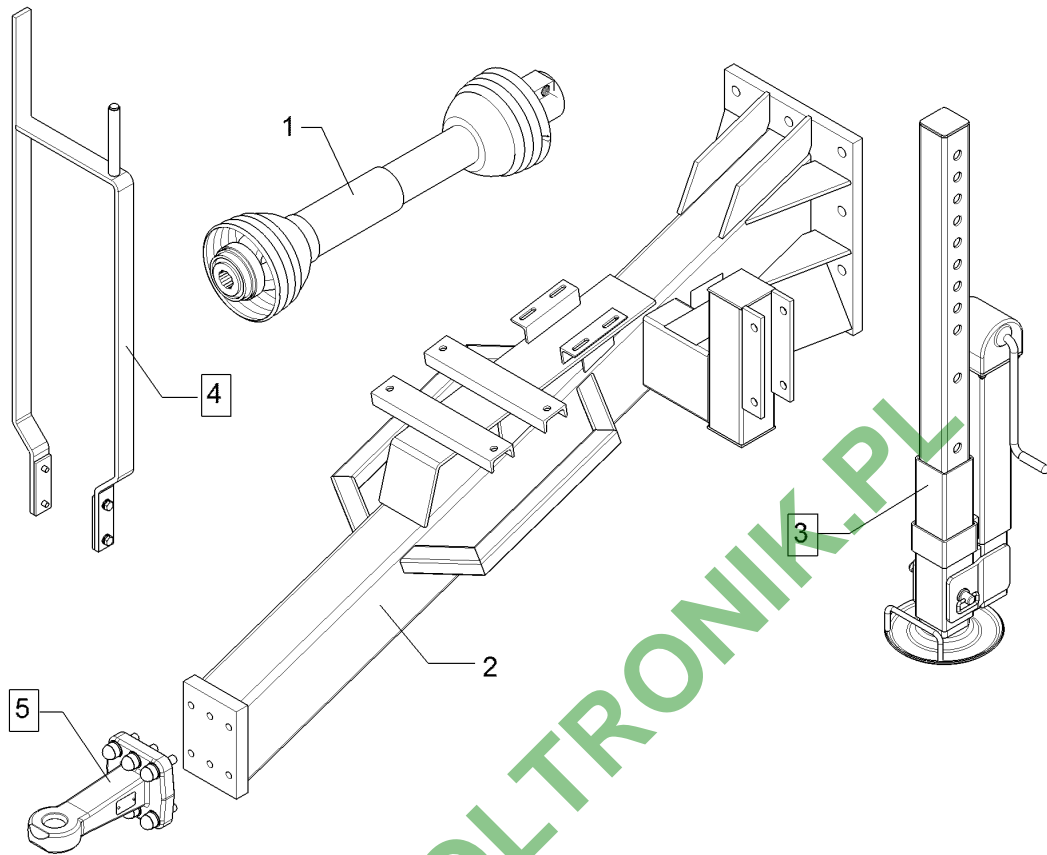
| Pos. | Art.Nr. | Stck. | Artikeltext / Description | Abmessung | |
|------|----------|-------|---------------------------|---------------|-------------------------|
| 1 | F01 0804 | 1 | Distanzring | Distance ring | 64x2x79 3 |
| 2 | F02 0573 | 1 | Flanschplatte | Flange plate | F02_0573 |
| 3 | F25 0310 | 2 | Buchse | Bush | 60/65x60 |
| 4 | F25 0494 | 1 | Schmiernippel | Grease nipple | H3 M8x1,25 90 GRD Zn |



06.17

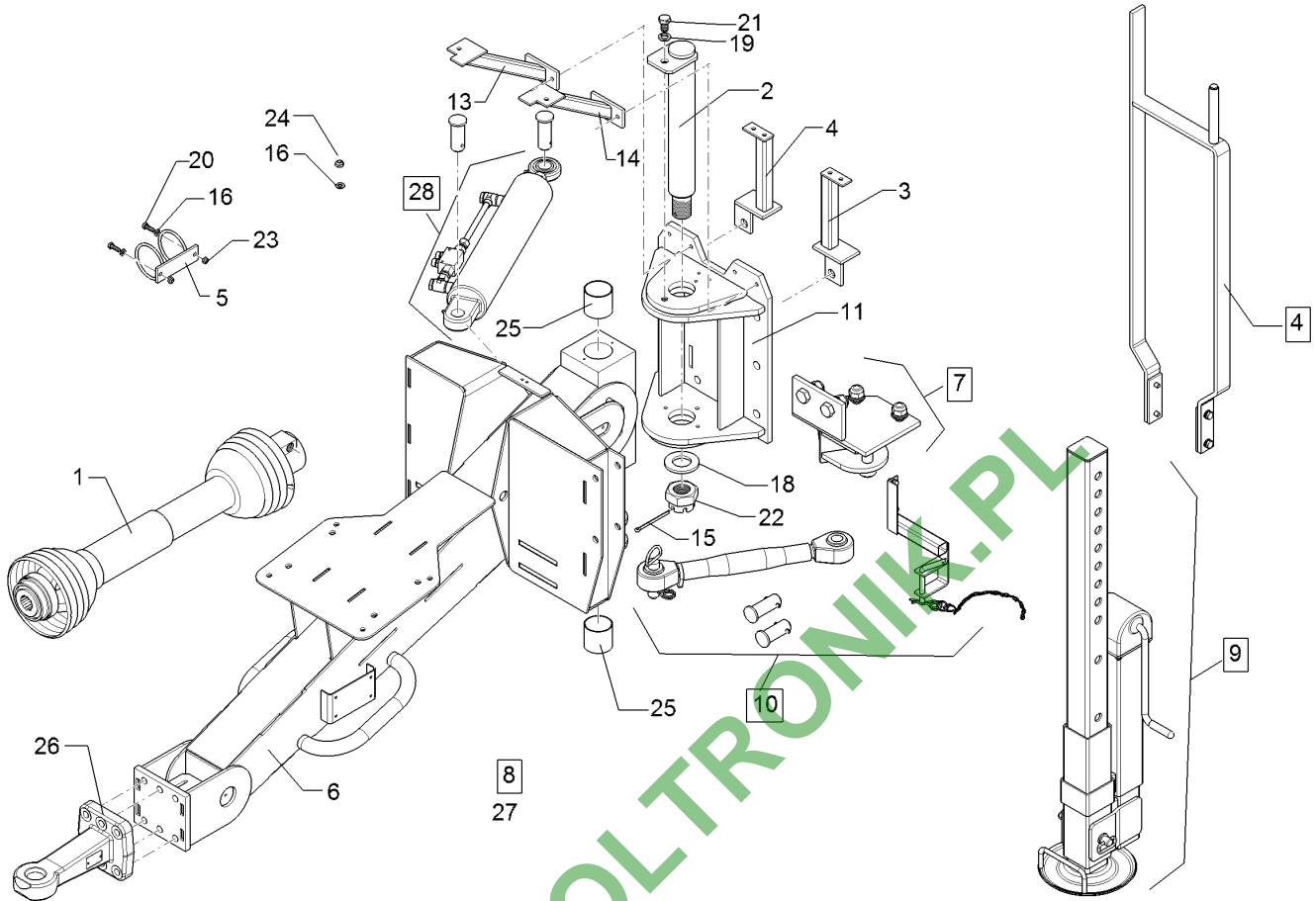
| Pos. | Art.Nr. | Stck. | Artikeltext / Description | Abmessung | |
|------|----------|-------|---------------------------|-----------------|--|
| 1 | F02 0599 | 1 | Geländer | Guardrail | ET3500 |
| 2 | F02 0618 | 1 | Schlauchhalter | Hose carrier | 500 2xd9 |
| 3 | 301 7518 | 2 | Sechskantschraube | Hexagon bolt | M8x25-A2 DIN933 |
| 4 | 30310043 | 9 | Sicherungsmutter | Selflocking nut | NM8 DIN985-A4 |
| 5 | F03 0396 | 1 | Plattform | Platform | EuroTrain |
| 6 | F03 0202 | 1 | Klappleiter | Folding ladder | KPL ET |
| 7 | 301 6751 | 5 | Sechskantschraube | Hexagon bolt | M8x20-A2 DIN933 |
| 8 | 305 8695 | 4 | Scheibe | Washer | A8,4 DIN125 A2 |
| 9 | F02 0987 | 1 | Stütze | Support | 340x300x197 |
| 10 | F02 0597 | 1 | Halter | Holder | 838x785 |
| 11 | 30310030 | 2 | Sicherungsmutter | Selflocking nut | NM12 DIN985-A4 |
| 12 | 30310025 | 1 | Sechskantmutter | Hexagon nut | M12 DIN934-A4 |
| 13 | F55 0140 | 1 | Stopfen | Plug | Stopfen für Vierkantrohr 30x30 30x30x1.5-2 |
| 14 | F55 0139 | 2 | Stopfen | Plug | |
| 15 | 301 7501 | 1 | Sechskantschraube | Hexagon bolt | M6x10-A2 DIN933 |
| 16 | 301 7523 | 2 | Sechskantschraube | Hexagon bolt | M8x30-A2 DIN933 |
| 18 | F02 1414 | 1 | Führung | Guiding | 160x320/280 |
| 19 | F03 0412 | 1 | Leiter | Ladder | 4St |

| | |
|-----------------------------|----------|
| Deichsel/Drawbar | 1 |
| EuroTrain 2600 TC / 3500 TC | F06 0418 |



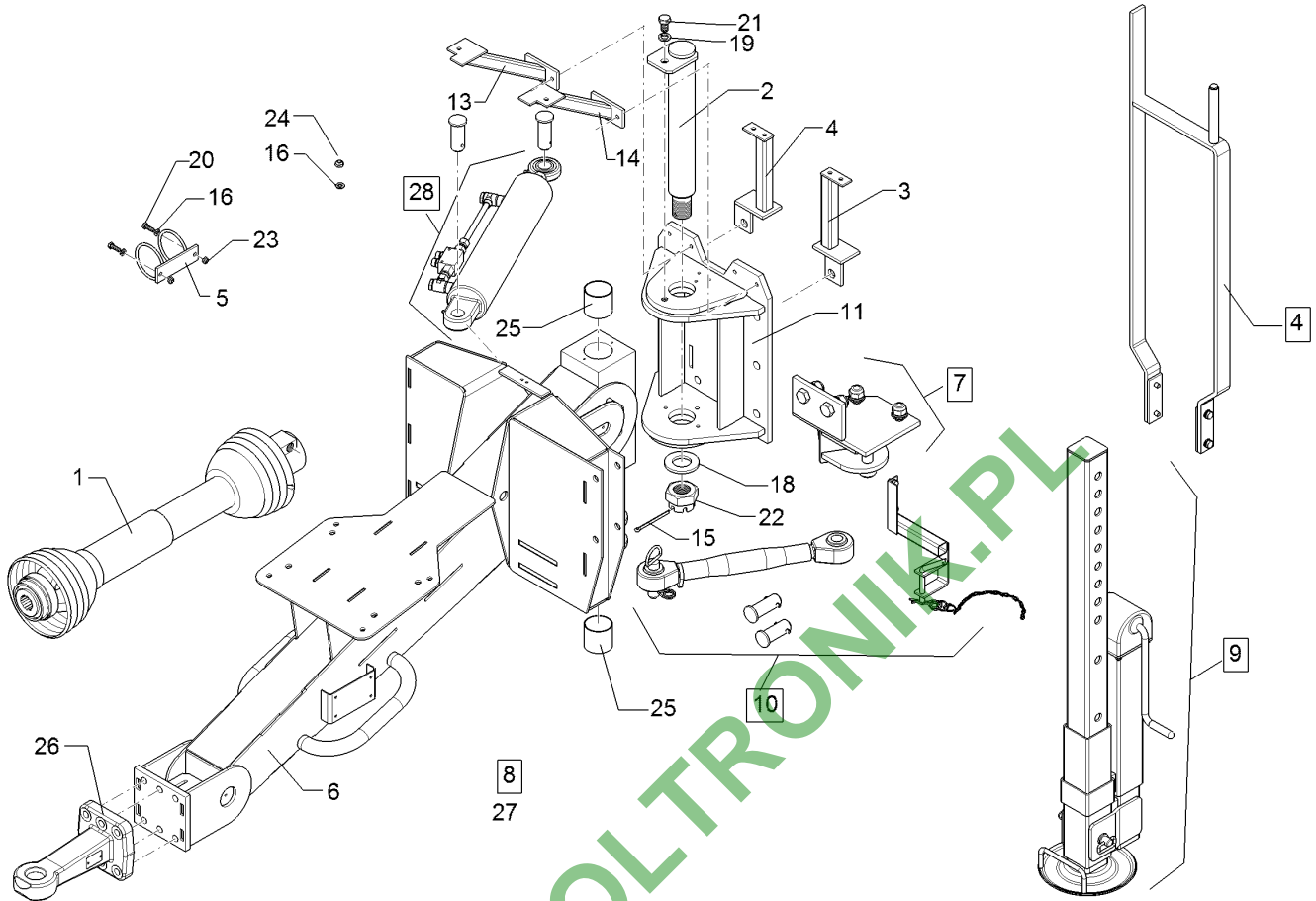
06.17

| Pos. | Art.Nr. | Stck. | Artikeltext / Description | Abmessung |
|------|----------|-------|---------------------------|-------------------|
| 1 | F01 4488 | 1 | Gelenkwelle | Cardan shaft |
| 2 | F02 0637 | 1 | Deichsel | Drawbar |
| 3 | F06 0667 | 1 | Abstellstütze | Stand |
| 4 | F06 1884 | 1 | Schlauchhalter | Hose carrier |
| 5 | R70 5950 | 1 | Zugöse | Traction loop |
| | | | | WWE2280-SD15-1010 |
| | | | | ET3500 |
| | | | | ET ZMD |
| | | | | ET |
| | | | | D40x240 6xM16 |



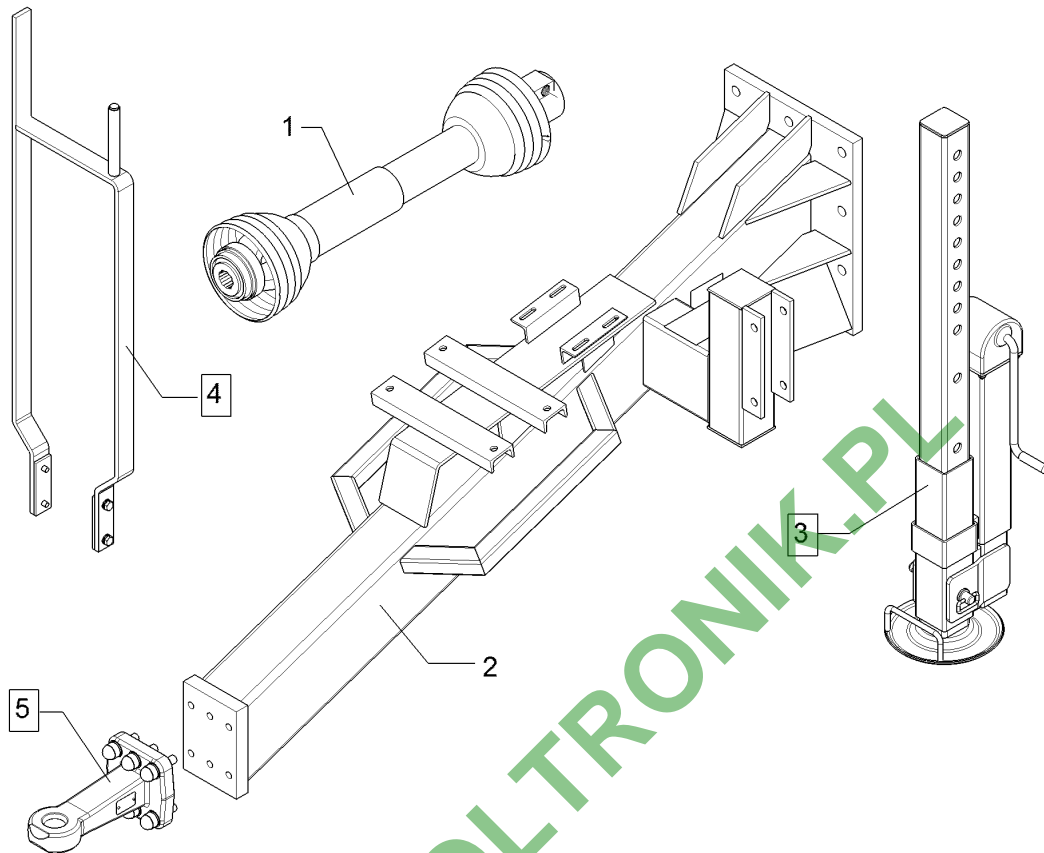
06.17

| Pos. | Art.Nr. | Stck. | Artikeltext / Description | Abmessung | |
|------|----------|-------|---------------------------|-----------------|-------------------------|
| 1 | F01 4488 | 1 | Gelenkwelle | Cardan shaft | WWE2280-SD15-1010 |
| 2 | F02 0934 | 1 | Bolzen | Pin | D60x440 M42x3 |
| 3 | F02 0939 | 1 | Stütze | Support | 268x60x90 Li |
| 4 | F02 4803 | 1 | Stütze | Support | 268x60x90 re |
| 5 | F02 4722 | 1 | Halter | Holder | 92x98x130 |
| 6 | F03 0270 | 1 | Deichsel | Drawbar | - |
| 7 | F04 0133 | 1 | Gelenk | Link | KPL |
| 8 | F06 0664 | 1 | VerbindungsKit | 90 GRD | - |
| 9 | F06 0667 | 1 | Abstellstütze | Stand | ET ZMD |
| 10 | F06 0668 | 1 | VerbindungsKit | 90 GRD | - |
| 11 | F06 0683 | 1 | Gelenk | Link | KPL |
| 12 | F06 1884 | 1 | Schlauchhalter | Hose carrier | ET |
| 13 | F12 0034 | 1 | Strebe | Strut | 276x188x105 re |
| 14 | F12 0035 | 1 | Strebe | Strut | 276x188x105 li |
| 15 | 31110027 | 1 | Splint | Peg | 6,3x90 DIN94-St Zn |
| 16 | 305 8695 | 2 | Scheibe | Washer | A8,4 DIN125 A2 |
| 17 | 305 8704 | 1 | Scheibe | Washer | A10,5 DIN125-St A2 |
| 18 | 30510229 | 1 | Scheibe | Washer | 43 DIN125 Zn5 |
| 19 | 30510203 | 1 | Federring | Spring ring | 16-B DIN127 A4 |
| 20 | 301 7518 | 2 | Sechskantschraube | Hexagon bolt | M8x25-A2 DIN933 |
| 21 | 30110290 | 1 | Sechskantschraube | Hexagon bolt | M16x25-8.8 Zn DIN933 |
| 22 | 30310126 | 1 | Kronenmutter | Castle nut | M42-8 DIN935 Zn5 |
| 23 | 30310043 | 2 | Sicherungsmutter | Selflocking nut | NM8 DIN985-A4 |



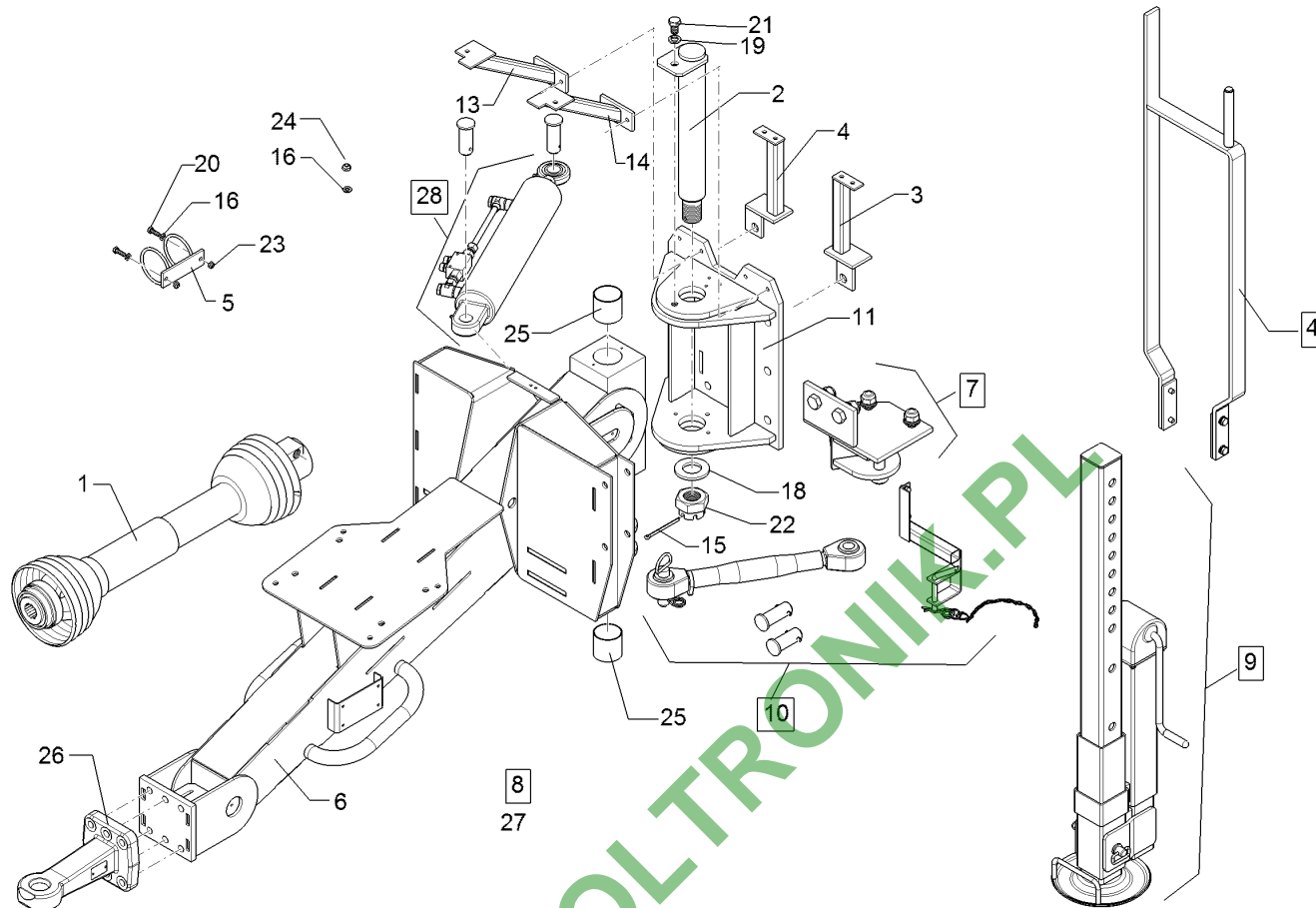
06.17

| Pos. | Art.Nr. | Stck. | Artikeltext / Description | Abmessung |
|------|----------|-------|---------------------------|---------------------------|
| 24 | 30310029 | 1 | Sicherungsmutter | NM10 A4 DIN985 |
| 25 | F25 0310 | 2 | Buchse | 60/65x60 |
| 26 | F35 0297 | 1 | Zugöse | D40x240 6xD17 DIN11026 |
| 27 | F51 0178 | 2 | Aufkleber | - |
| 28 | F60 0519 | 1 | Hydraulikzylinder | - |



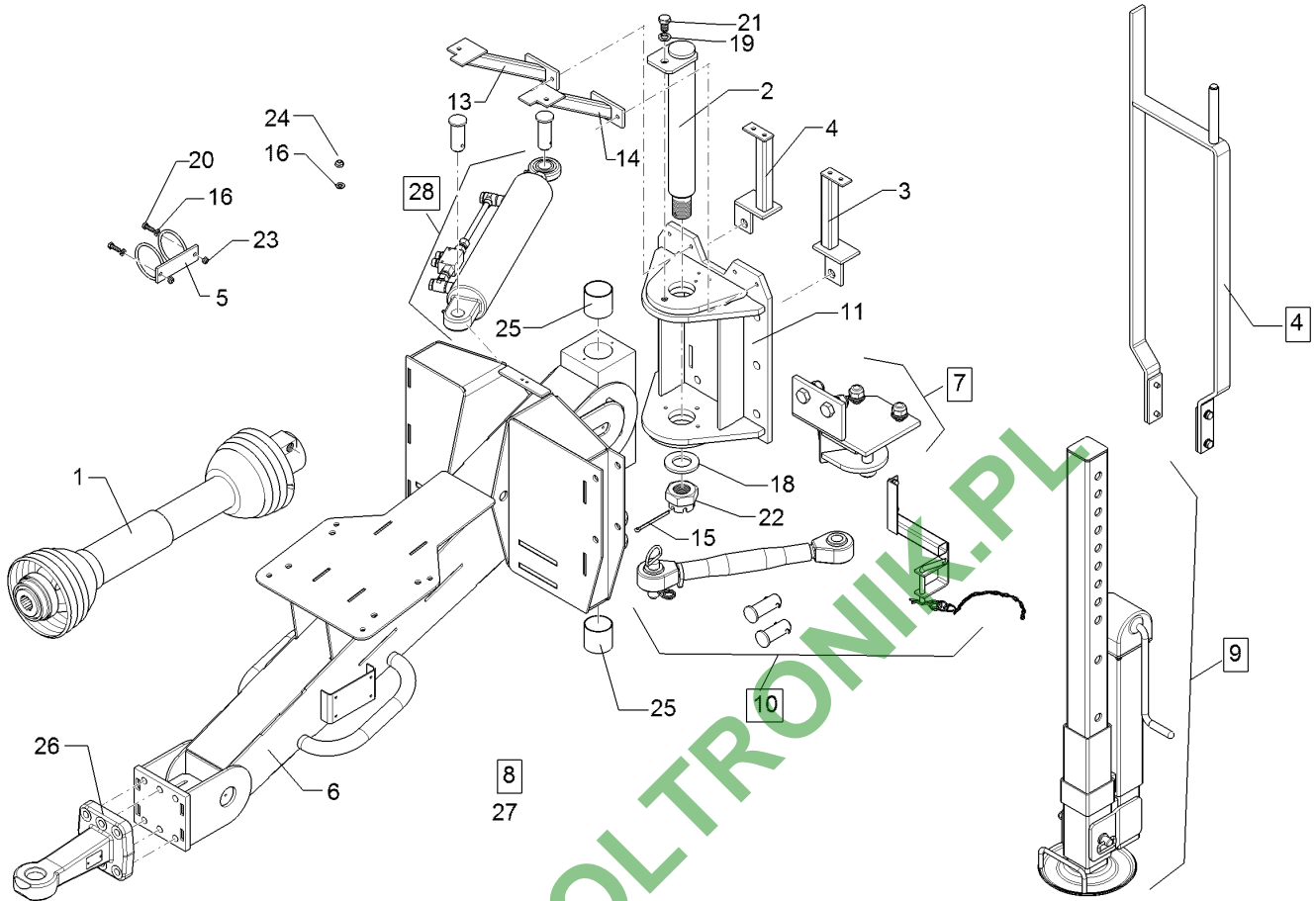
06.17

| Pos. | Art.Nr. | Stck. | Artikeltext / Description | Abmessung | |
|------|----------|-------|---------------------------|---------------|-------------------|
| 1 | F01 4488 | 1 | Gelenkwelle | Cardan shaft | WWE2280-SD15-1010 |
| 2 | F02 0637 | 1 | Deichsel | Drawbar | ET3500 |
| 3 | F06 0667 | 1 | Abstellstütze | Stand | ET ZMD |
| 4 | F06 1884 | 1 | Schlauchhalter | Hose carrier | ET |
| 5 | R70 5950 | 1 | Zugöse | Traction loop | D40x240 6xM16 |



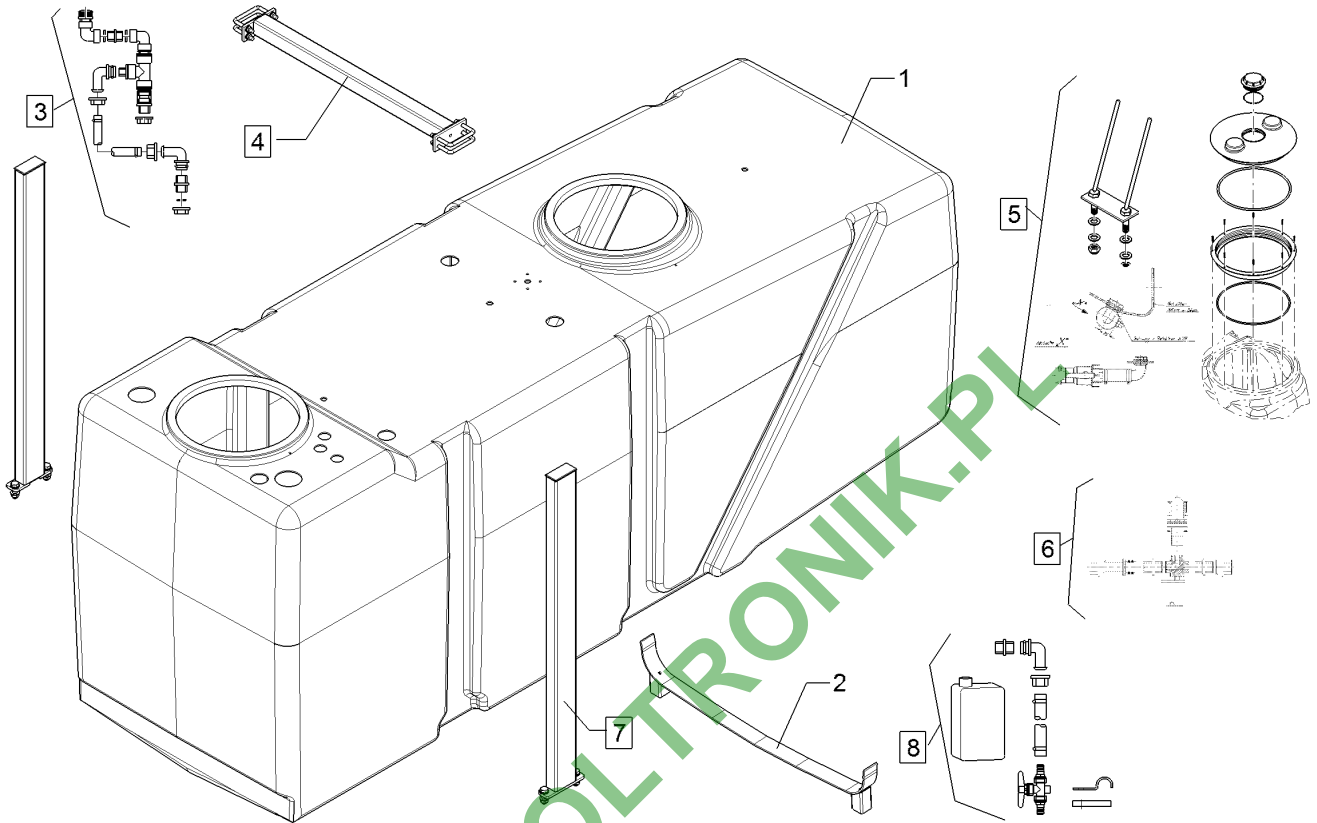
06.17

| Pos. | Art.Nr. | Stck. | Artikeltext / Description | Abmessung | |
|------|----------|-------|---------------------------|-----------------|-------------------------|
| 1 | F01 4488 | 1 | Gelenkwelle | Cardan shaft | WWE2280-SD15-1010 |
| 2 | F02 0934 | 1 | Bolzen | Pin | D60x440 M42x3 |
| 3 | F02 0939 | 1 | Stütze | Support | 268x60x90 Li |
| 4 | F02 4803 | 1 | Stütze | Support | 268x60x90 re |
| 5 | F02 4722 | 1 | Halter | Holder | 92x98x130 |
| 6 | F03 0270 | 1 | Deichsel | Drawbar | - |
| 7 | F04 0133 | 1 | Gelenk | Link | KPL |
| 8 | F06 0664 | 1 | VerbindungsKit | 90 GRD | - |
| 9 | F06 0667 | 1 | Abstellstütze | Stand | ET ZMD |
| 10 | F06 0668 | 1 | VerbindungsKit | 90 GRD | - |
| 11 | F06 0683 | 1 | Gelenk | Link | KPL |
| 12 | F06 1884 | 1 | Schlauchhalter | Hose carrier | ET |
| 13 | F12 0034 | 1 | Strebe | Strut | 276x188x105 re |
| 14 | F12 0035 | 1 | Strebe | Strut | 276x188x105 li |
| 15 | 31110027 | 1 | Splint | Peg | 6,3x90 DIN94-St Zn |
| 16 | 305 8695 | 2 | Scheibe | Washer | A8,4 DIN125 A2 |
| 17 | 305 8704 | 1 | Scheibe | Washer | A10,5 DIN125-St A2 |
| 18 | 30510229 | 1 | Scheibe | Washer | 43 DIN125 Zn5 |
| 19 | 30510203 | 1 | Federring | Spring ring | 16-B DIN127 A4 |
| 20 | 301 7518 | 2 | Sechskantschraube | Hexagon bolt | M8x25-A2 DIN933 |
| 21 | 30110290 | 1 | Sechskantschraube | Hexagon bolt | M16x25-8.8 Zn DIN933 |
| 22 | 30310126 | 1 | Kronenmutter | Castle nut | M42-8 DIN935 Zn5 |
| 23 | 30310043 | 2 | Sicherungsmutter | Selflocking nut | NM8 DIN985-A4 |



06.17

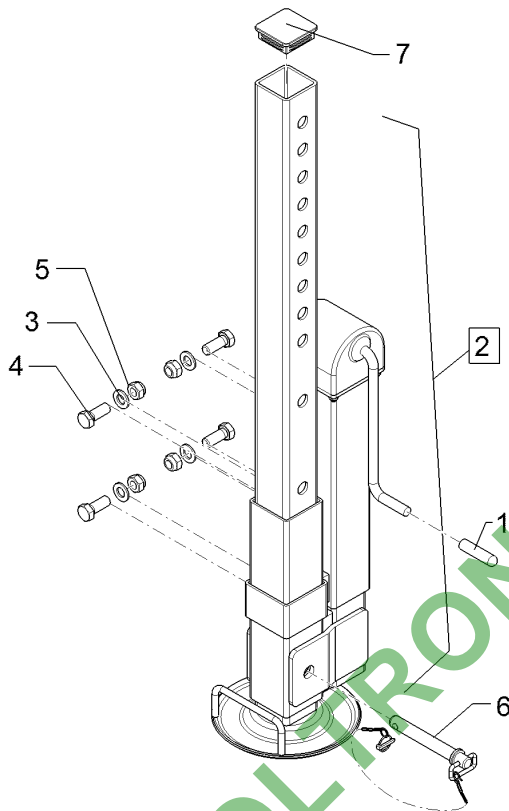
| Pos. | Art.Nr. | Stck. | Artikeltext / Description | Abmessung |
|------|----------|-------|---------------------------|---------------------------|
| 24 | 30310029 | 1 | Sicherungsmutter | NM10 A4 DIN985 |
| 25 | F25 0310 | 2 | Buchse | 60/65x60 |
| 26 | F35 0297 | 1 | Zugöse | D40x240 6xD17 DIN11026 |
| 27 | F51 0178 | 2 | Aufkleber | - |
| 28 | F60 0519 | 1 | Hydraulikzylinder | - |



06.17

| Pos. | Art.Nr. | Stck. | Artikeltext / Description | Abmessung |
|------|----------|-------|---------------------------|------------------|
| 1 | F01 4771 | 1 | Hauptbehälter | Eurotrain 3500l |
| 2 | F02 0623 | 1 | Behälterauflage | ET/ECO-2600/3500 |
| 3 | F02 1586 | 1 | Belüftungseinrichtung | G2 ZL ET3500 |
| 4 | F06 0700 | 1 | Traverse | 918 ET3500 |
| 5 | F06 0701 | 1 | Montagesatz | ET |
| 6 | F06 0799 | 1 | Auslauf | ET3500 |
| 7 | F06 0943 | 1 | Anbausatz | ET3500 |
| 8 | F06 2339 | 1 | Handwaschbehälter | 15 l ET |

| | |
|------------------------------------|-----------------|
| Abstellstütze/Stand | 1 |
| EuroTrain 2600 TC / 3500 TC | F06 0667 |

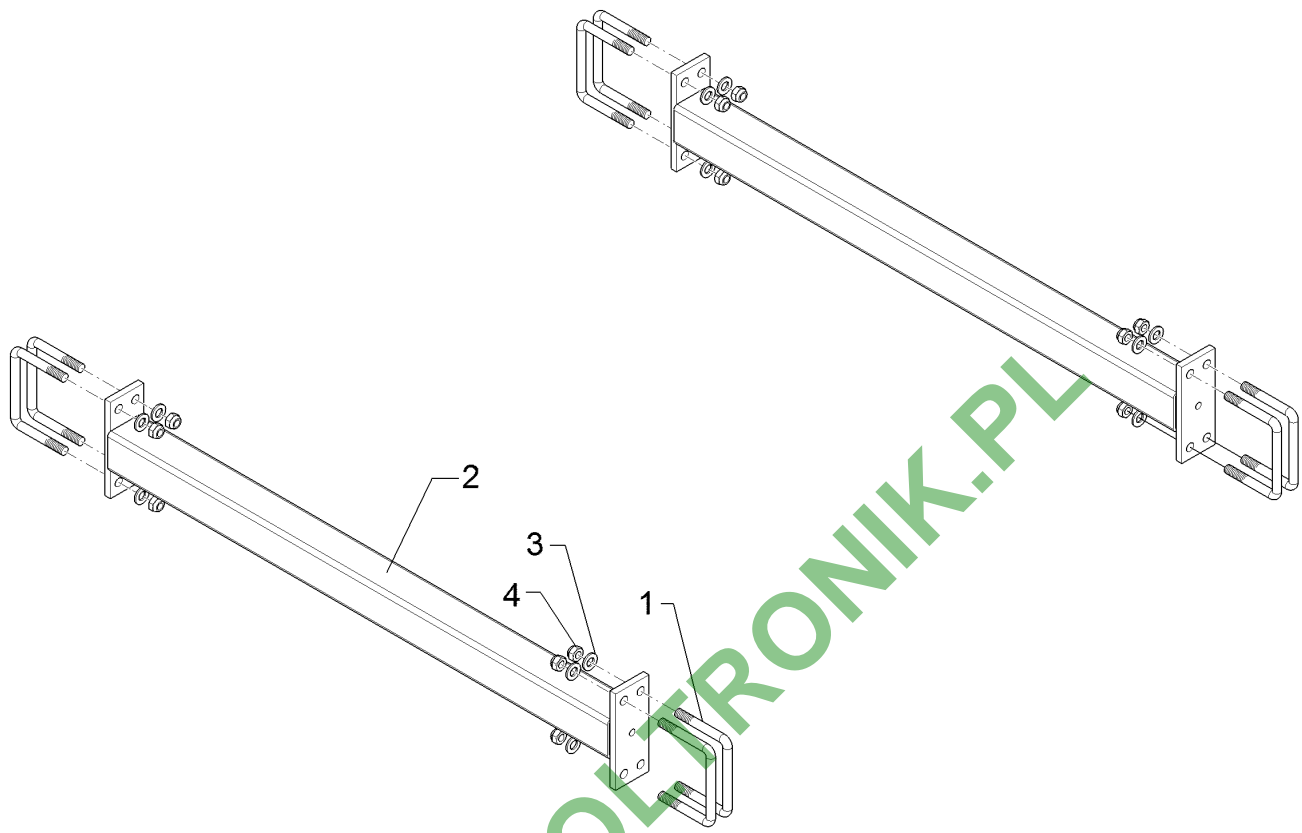


06.17

| Pos. | Art.Nr. | Stck. | Artikeltext / Description | Abmessung | |
|------|----------|-------|---------------------------|-----------------|-------------------------------|
| 1 | F03 0266 | 1 | Hülse | Bushing | - |
| 2 | F03 0470 | 1 | Stütze | Support | KPL ET5000 |
| 3 | 305 6141 | 4 | Scheibe | Washer | 17/30x3 |
| 4 | F20 0591 | 4 | Sechskantschraube | Hexagon bolt | DIN/ISO-7089 M16x40-8.8 Zn |
| 5 | 303 0935 | 4 | Sicherungsmutter | Selflocking nut | DIN933 |
| 6 | F25 0503 | 1 | Steckbolzen | Socket pin | NM16-8 Zn DIN985 |
| 7 | F55 0190 | 1 | Stopfen | Plug | - 70x70x4 bk |

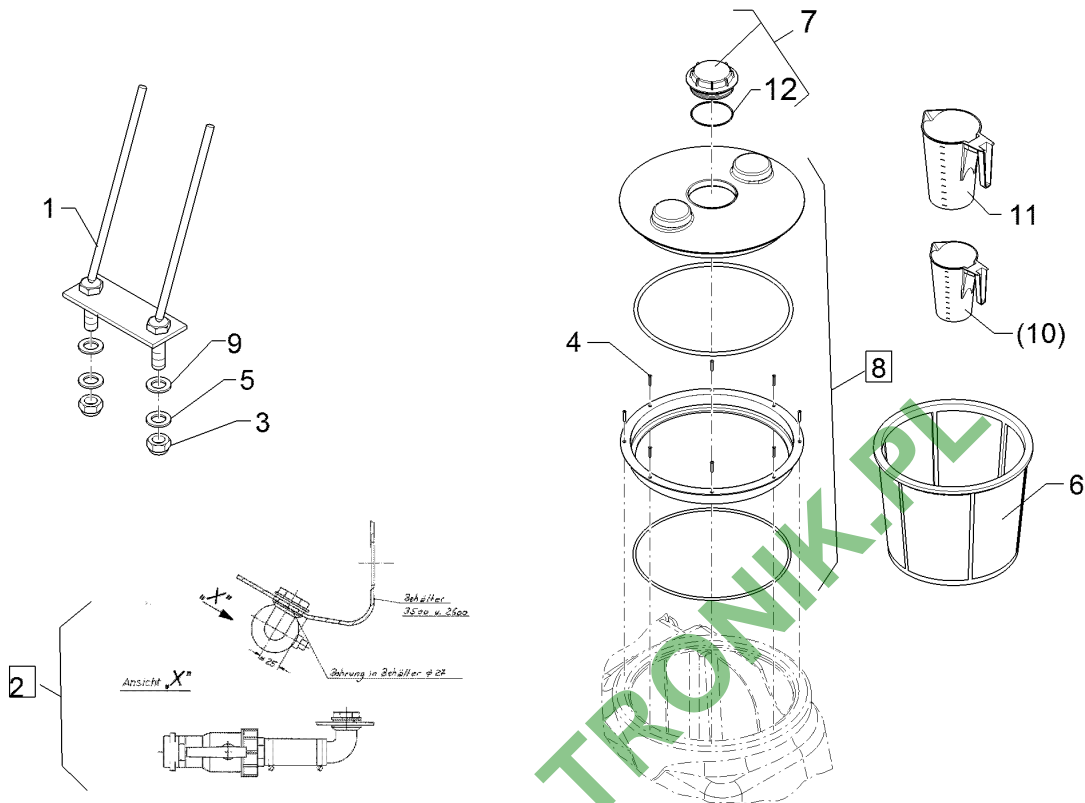
| | |
|---------------------|----------|
| Traverse/Cross beam | 1 |
|---------------------|----------|

| | |
|------------------------------------|-----------------|
| EuroTrain 2600 TC / 3500 TC | F06 0700 |
|------------------------------------|-----------------|



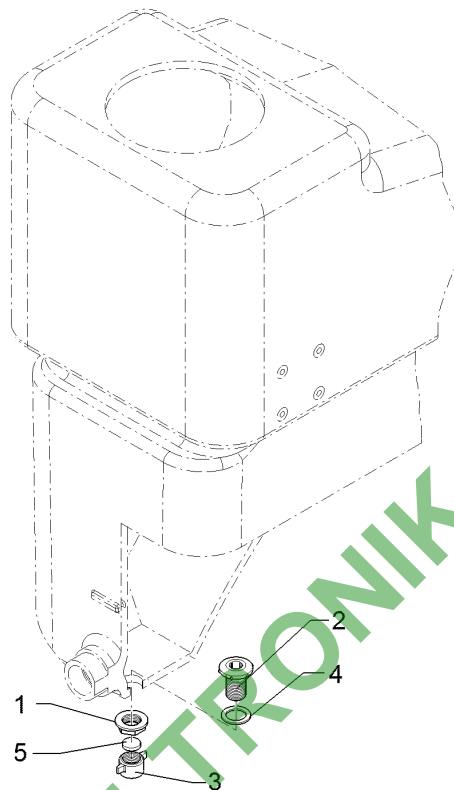
06.17

| Pos. | Art.Nr. | Stck. | Artikeltext / Description | | Abmessung |
|------|----------|-------|---------------------------|-----------------|----------------|
| 1 | F01 0825 | 8 | Bügelschraube | U-bolt | M12x114x83 |
| 2 | F02 0568 | 2 | Traverse | Cross beam | 150x60x920 |
| 3 | 305 8709 | 16 | Scheibe | Washer | 13 DIN125-A A2 |
| 4 | 30310030 | 16 | Sicherungsmutter | Selflocking nut | NM12 DIN985-A4 |



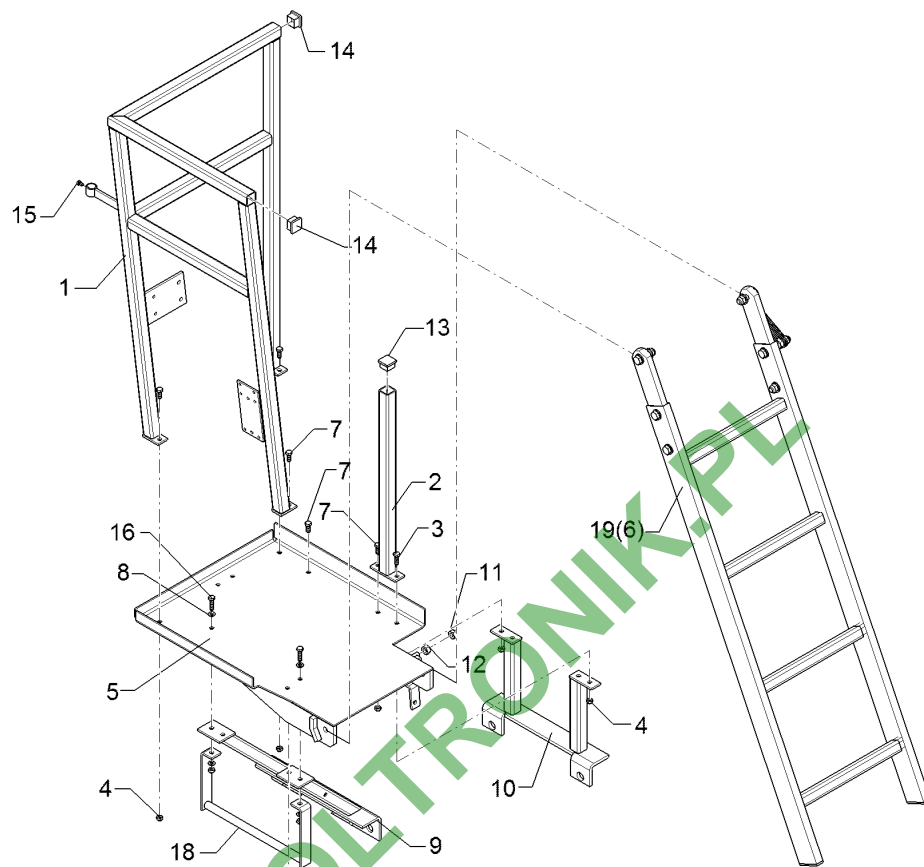
06.17

| Pos. | Art.Nr. | Stck. | Artikeltext / Description | Abmessung | |
|------|----------|-------|---------------------------|------------------|----------------------------|
| 1 | F02 0578 | 4 | Halter | Holder | 80x180 |
| 2 | F02 0630 | 1 | Ablasseinrichtung | Drain device | ET |
| 3 | 30310043 | 8 | Sicherungsmutter | Selflocking nut | NM8 DIN985-A4 |
| 4 | 30110444 | 16 | Senk-Blechschaube | Countersunk bolt | 4,2x32-C-T20 A2 DIN7982 |
| 5 | 305 6125 | 8 | Scheibe | Washer | D8,4/24x2 A2 DIN9021 |
| 6 | F45 0176 | 1 | Sieb | Filter | D380 |
| 7 | F45 0218 | 2 | Zentrumsdeckel | Cap | - |
| 8 | F45 0225 | 2 | Deckel | Cap | D400 |
| 9 | F61 1966 | 8 | Dichtring | Seal ring | M8 |
| 10 | F61 3385 | 1 | Messbecher | Measuring jug | 1000 ml |
| 11 | F61 4562 | 1 | Messbecher | Measuring jug | 2000 ml |
| 12 | F45 0196 | 1 | Dichtring | Seal ring | - |



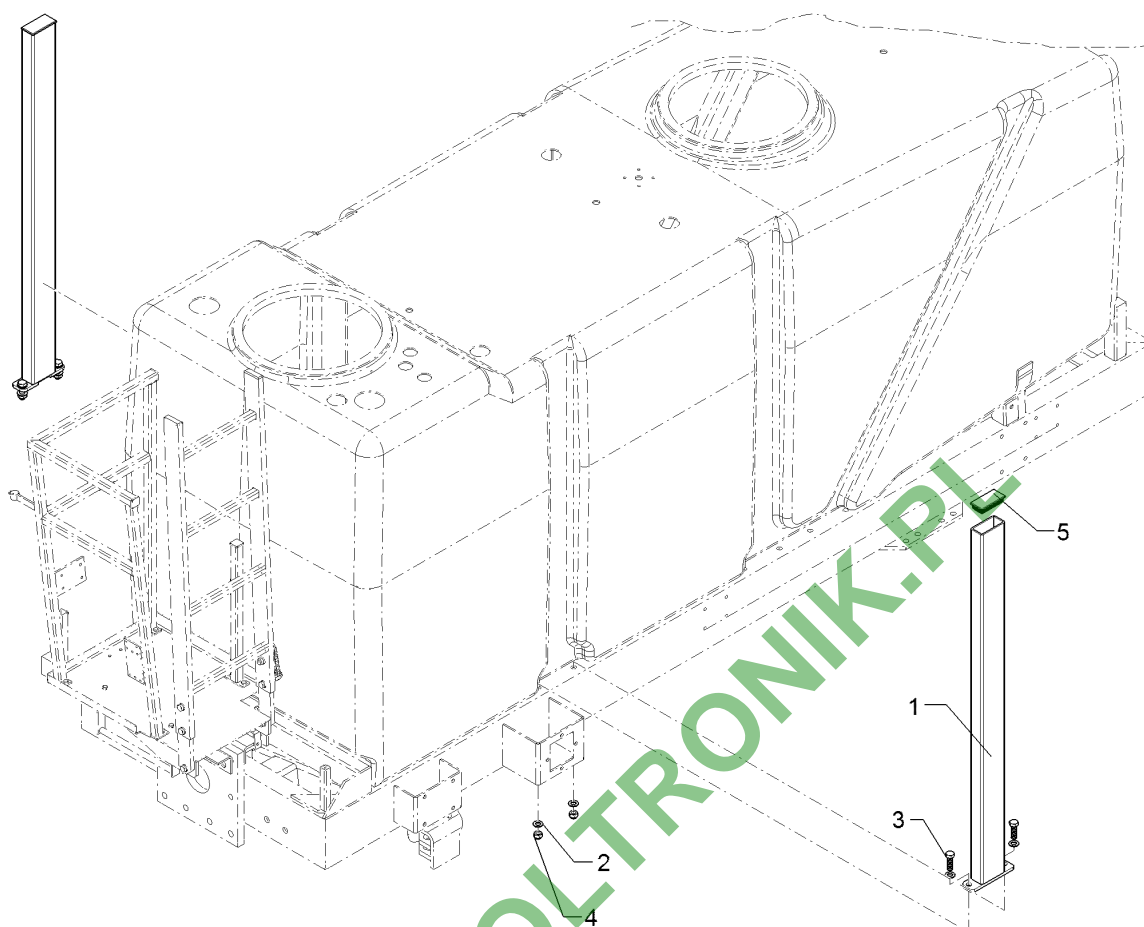
06.17

| Pos. | Art.Nr. | Stck. | Artikeltext / Description | Abmessung | |
|------|----------|-------|---------------------------|-----------|---------------|
| 1 | 37810670 | 1 | Mutter | Nut | G3/4ZLI |
| 2 | F61 0893 | 1 | Ablaufstutzen | Stud | G3/4ZLA |
| 3 | F61 0941 | 1 | Verschlussmutter | Cap nut | G3/4 ZL SYN |
| 4 | F61 1907 | 1 | Dichtung | Seal | 39,5x2,5x27,5 |
| 5 | F61 3919 | 1 | Dichtung | Seal | 24,5 a. |



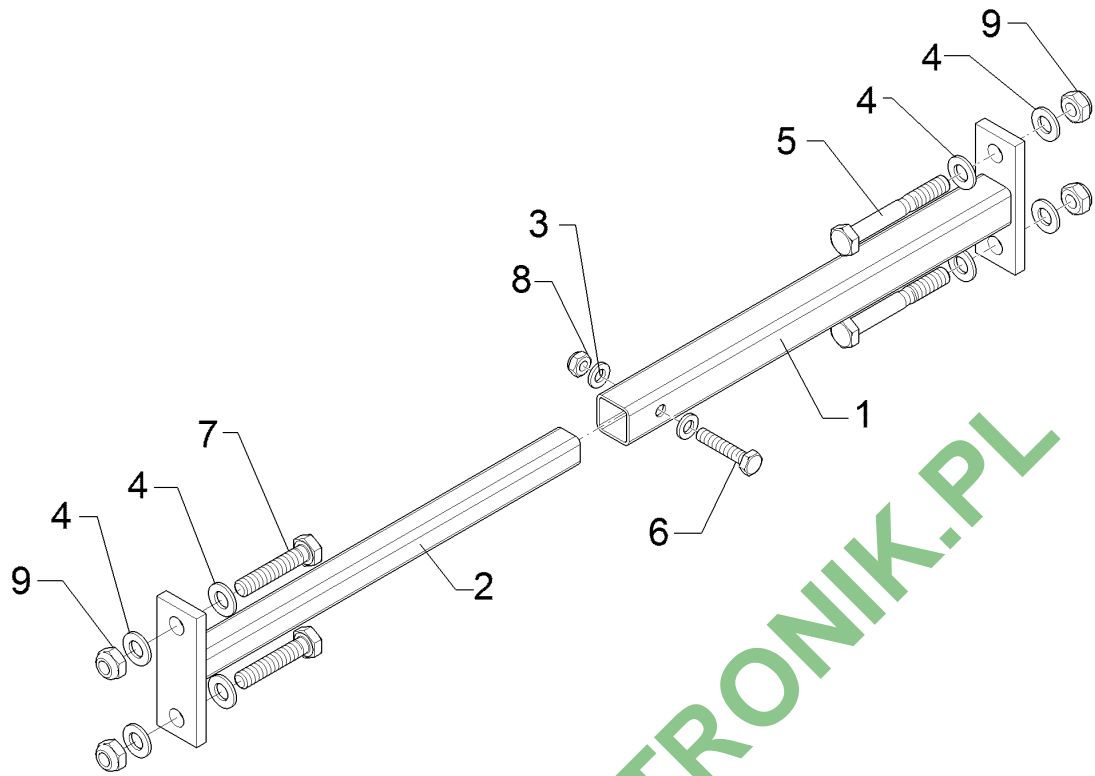
06.17

| Pos. | Art.Nr. | Stck. | Artikeltext / Description | Abmessung | |
|------|----------|-------|---------------------------|-----------------|--|
| 1 | F02 0599 | 1 | Geländer | Guardrail | ET3500 |
| 2 | F02 0618 | 1 | Schlauchhalter | Hose carrier | 500 2xd9 |
| 3 | 301 7518 | 2 | Sechskantschraube | Hexagon bolt | M8x25-A2 DIN933 |
| 4 | 30310043 | 9 | Sicherungsmutter | Selflocking nut | NM8 DIN985-A4 |
| 5 | F03 0396 | 1 | Plattform | Plattform | EuroTrain |
| 7 | 301 6751 | 5 | Sechskantschraube | Hexagon bolt | M8x20-A2 DIN933 |
| 8 | 305 8695 | 4 | Scheibe | Washer | A8,4 DIN125 A2 |
| 9 | F02 0987 | 1 | Stütze | Support | 340x300x197 |
| 10 | F02 0597 | 1 | Halter | Holder | 838x785 |
| 11 | 30310030 | 2 | Sicherungsmutter | Selflocking nut | NM12 DIN985-A4 |
| 12 | 30310025 | 1 | Sechskantmutter | Hexagon nut | M12 DIN934-A4 |
| 13 | F55 0140 | 1 | Stopfen | Plug | Stopfen für Vierkantrohr 30x30 30x30x1.5-2 |
| 14 | F55 0139 | 2 | Stopfen | Plug | |
| 15 | 301 7501 | 1 | Sechskantschraube | Hexagon bolt | M6x10-A2 DIN933 |
| 16 | 301 7523 | 2 | Sechskantschraube | Hexagon bolt | M8x30-A2 DIN933 |
| 18 | F02 1414 | 1 | Führung | Guiding | 160x320/280 |
| 19 | F03 0412 | 1 | Leiter | Ladder | 4St |



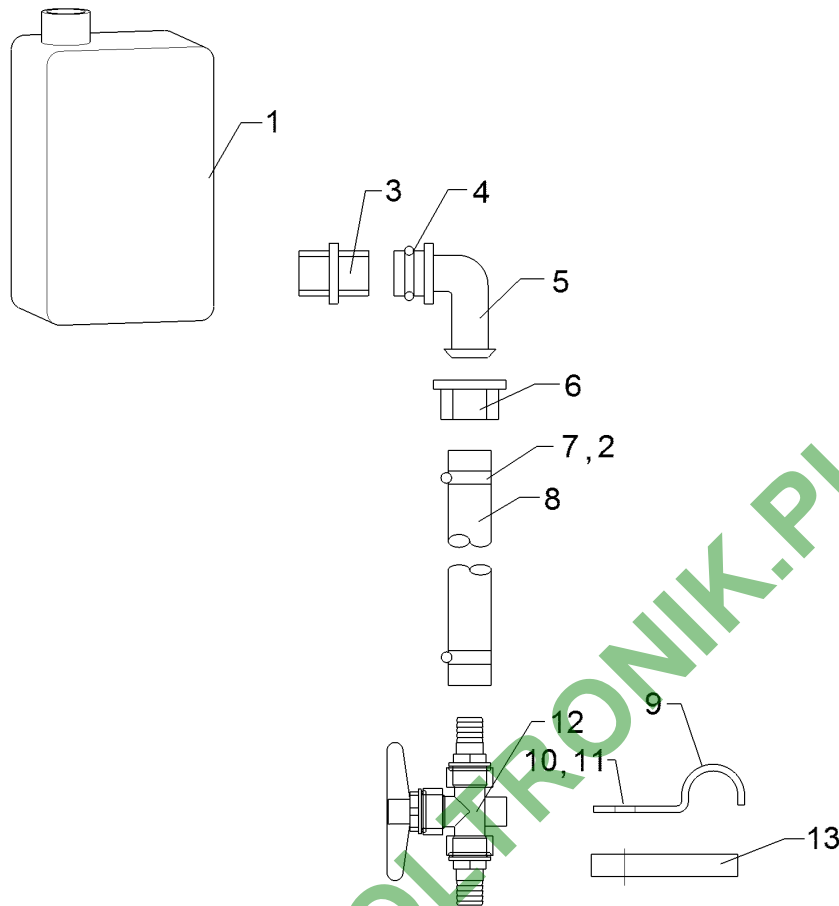
06.17

| Pos. | Art.Nr. | Stck. | Artikeltext / Description | | Abmessung |
|------|----------|-------|---------------------------|-----------------|-------------------------|
| 1 | F02 0566 | 2 | Stütze | Support | 100x50x6x1290 |
| 2 | 305 6141 | 4 | Scheibe | Washer | 17/30x3 DIN/ISO-7089 |
| 3 | 301 5406 | 4 | Sechskantschraube | Hexagon bolt | M16x50-8.8 Zn DIN933 |
| 4 | 303 0935 | 4 | Sicherungsmutter | Selflocking nut | NM16-8 Zn DIN985 |
| 5 | F55 0146 | 2 | Verschlusskappe | Cover | 100x50x4 |



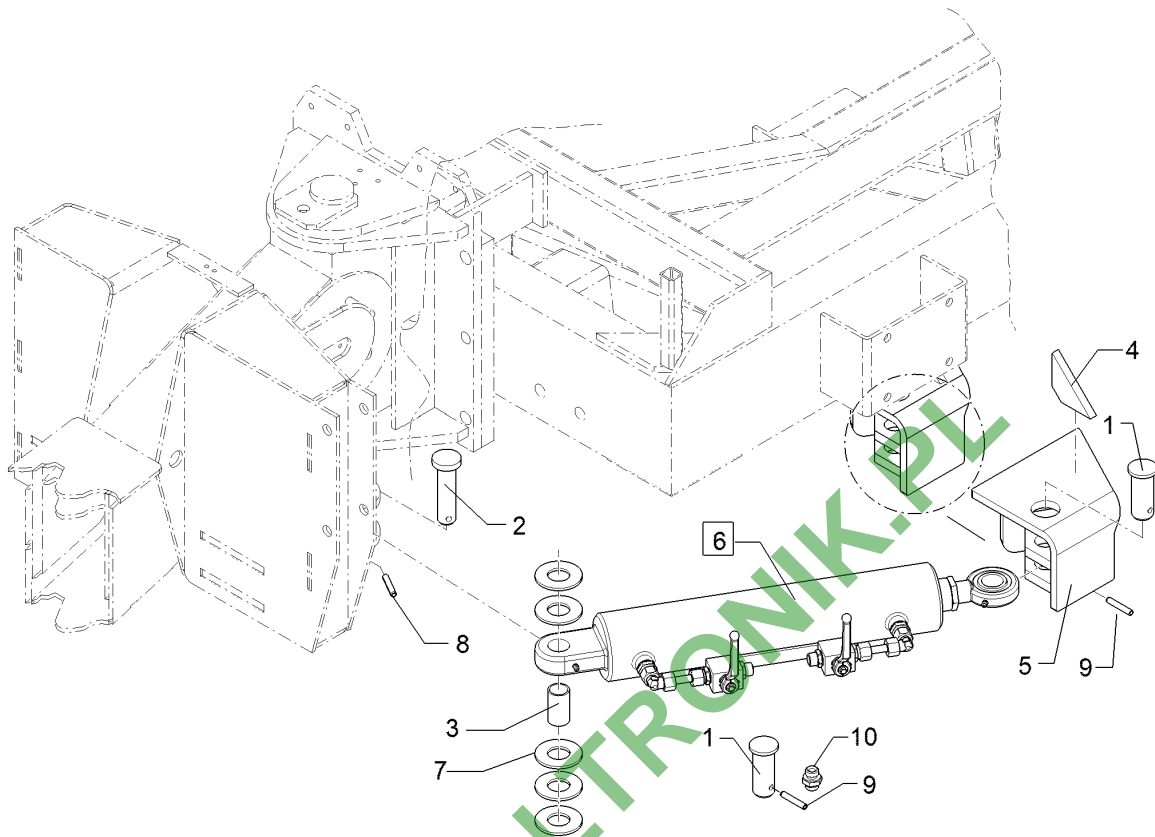
06.17

| Pos. | Art.Nr. | Stck. | Artikeltext / Description | Abmessung | |
|------|----------|-------|---------------------------|-----------------|------------------|
| 1 | F02 1604 | 1 | Abstrebung | Support | 20x20x1,5x246 d6 |
| 2 | F02 1605 | 1 | Abstrebung | Support | 15x15x1,5x246 |
| 3 | 305 8702 | 1 | Scheibe | Washer | 6,4 DIN125-A A2 |
| 4 | 305 8695 | 4 | Scheibe | Washer | A8,4 DIN125 A2 |
| 5 | 30110139 | 2 | Sechskantschraube | Hexagon bolt | M8x60-A2 DIN931 |
| 6 | 301 7503 | 1 | Sechskantschraube | Hexagon bolt | M6x30-A2 DIN933 |
| 7 | 30110173 | 2 | Sechskantschraube | Hexagon bolt | M8x40-A2 DIN933 |
| 8 | 30310042 | 1 | Sicherungsmutter | Selflocking nut | NM6 DIN985-A4 |
| 9 | 30310043 | 4 | Sicherungsmutter | Selflocking nut | NM8 DIN985-A4 |



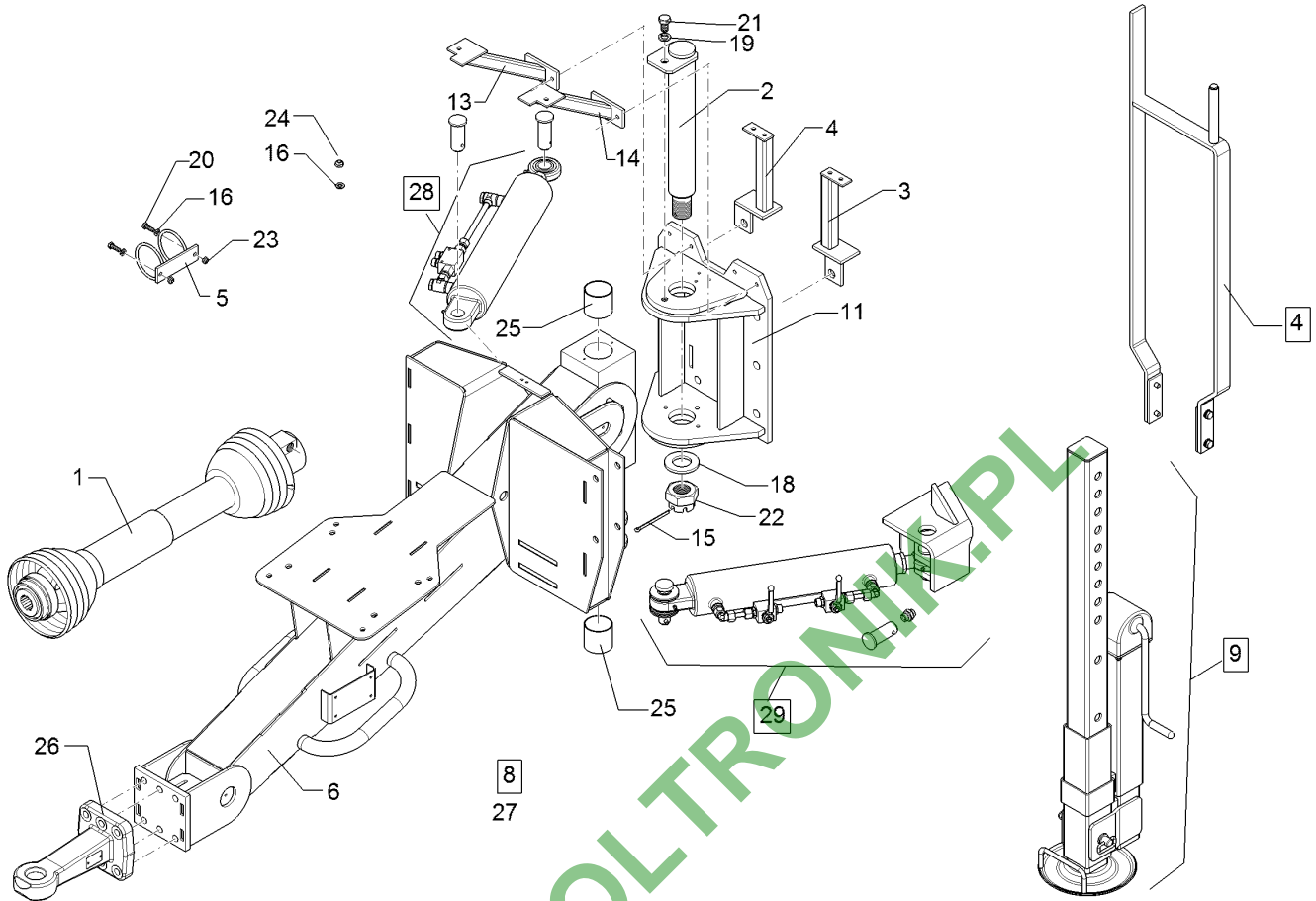
06.17

| Pos. | Art.Nr. | Stck. | Artikeltext / Description | Abmessung | |
|------|----------|-------|---------------------------|----------------|------------------------|
| 1 | F45 0125 | 1 | Handwaschbehälter | Water canister | 15 L PE |
| 2 | F55 0250 | 2 | Schutzkappe | Cap | bl 9mm |
| 3 | 37810474 | 1 | Adapter | Adapter | G3/4ZLA G3/4ZLA |
| 4 | F61 1907 | 1 | Dichtung | Seal | 39,5x2,5x27,5 |
| 5 | F61 0947 | 1 | Zapfen | Pivot | G3/4 ZL |
| 6 | F61 1140 | 1 | Überwurfmutter | Union nut | G3/4ZL |
| 7 | F61 2401 | 2 | Schlauchschelle | Hose clip | D12-D22x9 |
| 8 | F01 1935 | 1 | Schlauch | Hose | 13i.x4,0x2000 |
| 9 | F01 4743 | 1 | Rohrschelle | Pipe clamp | 23 mm i. |
| 10 | 301 7518 | 1 | Sechskantschraube | Hexagon bolt | M8x25-A2 DIN933 |
| 11 | 30510102 | 1 | Federring | Spring ring | 8 Form B-V2A DIN127 |
| 12 | F61 0679 | 1 | Absperrhahn | Stop valve | - |
| 13 | F11 0235 | 1 | Unterlage | Plate | - |



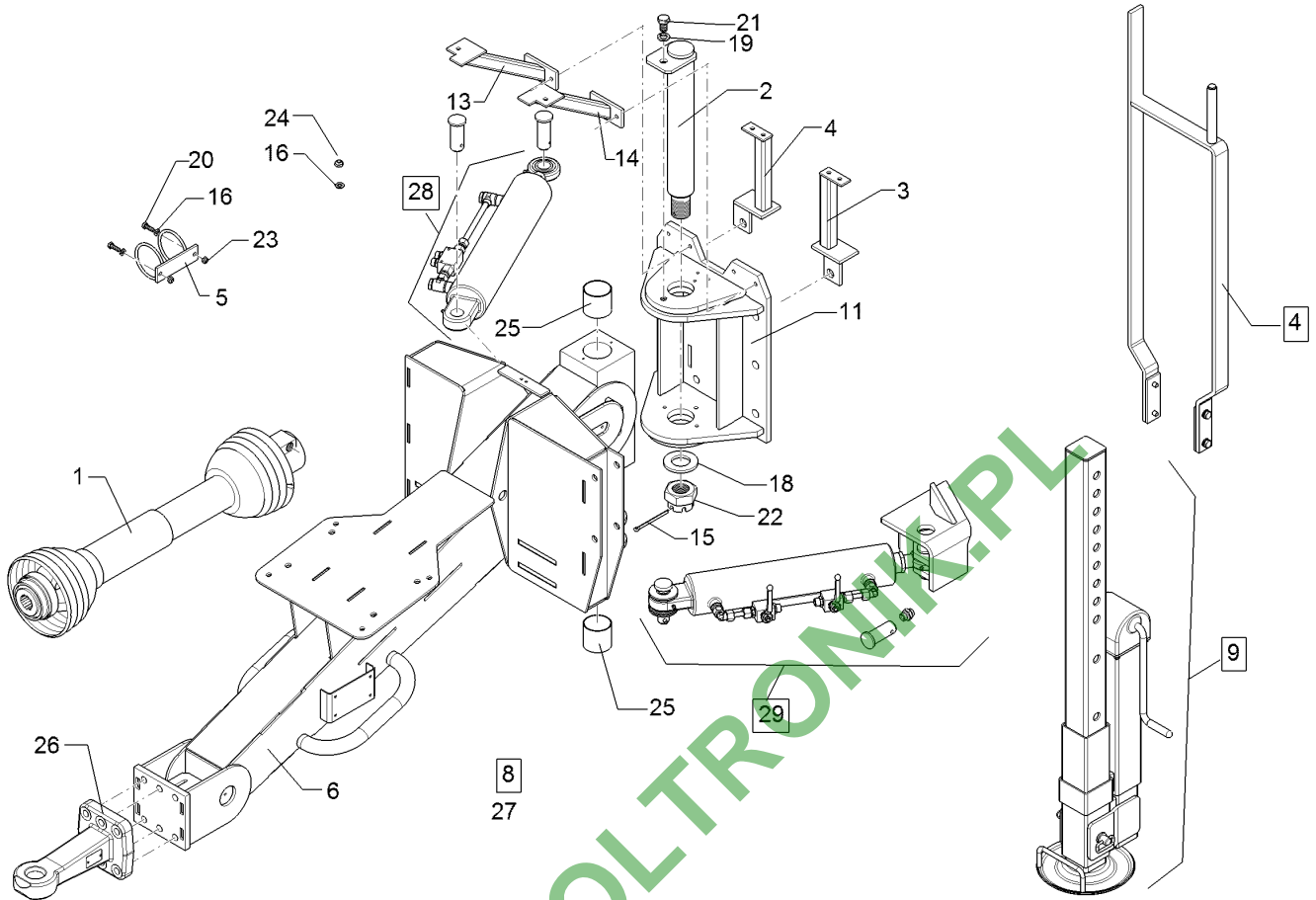
06.17

| Pos. | Art.Nr. | Stck. | Artikeltext / Description | Abmessung | |
|------|----------|-------|---------------------------|----------------|----------------------|
| 1 | F01 0826 | 2 | Bolzen | Pin | 30x56/40x80 d8 |
| 2 | F01 3263 | 1 | Bolzen | Pin | 25x82/40x106 d8 |
| 3 | F01 3264 | 1 | Buchse | Bush | 25/30x50,9 |
| 4 | F01 3443 | 1 | Knotenblech | Gusset plate | 40x12x105 2x45GRD |
| 5 | F02 1504 | 1 | Konsole | Bracket | li ET3500 |
| 6 | F06 1021 | 1 | Hydraulikzylinder | Hydraulic ram | ET |
| 7 | 30510072 | 5 | Scheibe | Washer | 31 DIN125 St-Zn |
| 8 | 30910011 | 1 | Spannhülse | Expansion bush | 8x45 A2 DIN1481 |
| 9 | F20 0987 | 2 | Spannhülse | Expansion bush | 8x55 A2 ISO8752 |
| 10 | F60 0167 | 2 | Einschraubverschraubung | Nipple | AD12/M18x1,5 |



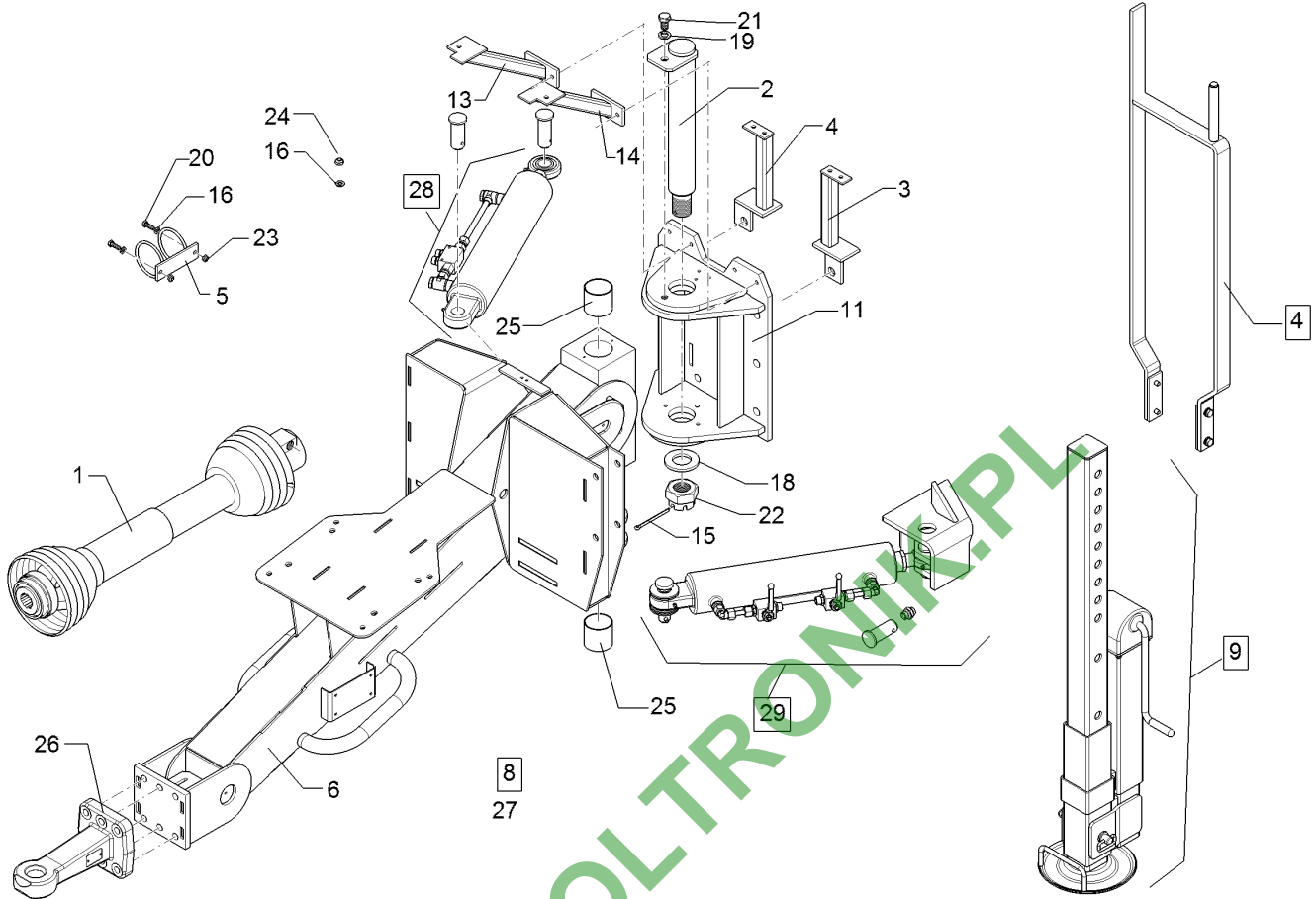
06.17

| Pos. | Art.Nr. | Stck. | Artikeltext / Description | | Abmessung |
|------|----------|-------|---------------------------|-----------------|-------------------------|
| 1 | F01 4488 | 1 | Gelenkwelle | Cardan shaft | WWE2280-SD15-1010 |
| 2 | F02 0934 | 1 | Bolzen | Pin | D60x440 M42x3 |
| 3 | F02 0939 | 1 | Stütze | Support | 268x60x90 Li |
| 4 | F02 4803 | 1 | Stütze | Support | 268x60x90 re |
| 5 | F02 4722 | 1 | Halter | Holder | 92x98x130 |
| 6 | F03 0270 | 1 | Deichsel | Drawbar | - |
| 8 | F06 0664 | 1 | Verbindungs- kit | 90 GRD | - |
| 9 | F06 0667 | 1 | Abstellstütze | Stand | ET ZMD |
| 11 | F06 0683 | 1 | Gelenk | Link | KPL |
| 12 | F06 1884 | 1 | Schlauchhalter | Hose carrier | ET |
| 13 | F12 0034 | 1 | Strebe | Strut | 276x188x105 re |
| 14 | F12 0035 | 1 | Strebe | Strut | 276x188x105 li |
| 15 | 31110027 | 1 | Splint | Peg | 6,3x90 DIN94-St Zn |
| 16 | 305 8695 | 2 | Scheibe | Washer | A8,4 DIN125 A2 |
| 17 | 305 8704 | 1 | Scheibe | Washer | A10,5 DIN125-St A2 |
| 18 | 30510229 | 1 | Scheibe | Washer | 43 DIN125 Zn5 |
| 19 | 30510203 | 1 | Federring | Spring ring | 16-B DIN127 A4 |
| 20 | 301 7518 | 2 | Sechskantschraube | Hexagon bolt | M8x25-A2 DIN933 |
| 21 | 30110290 | 1 | Sechskantschraube | Hexagon bolt | M16x25-8.8 Zn DIN933 |
| 22 | 30310126 | 1 | Kronenmutter | Castle nut | M42-8 DIN935 Zn5 |
| 23 | 30310043 | 2 | Sicherungsmutter | Selflocking nut | NM8 DIN985-A4 |
| 24 | 30310029 | 1 | Sicherungsmutter | Selflocking nut | NM10 A4 DIN985 |
| 25 | F25 0310 | 2 | Buchse | Bush | 60/65x60 |



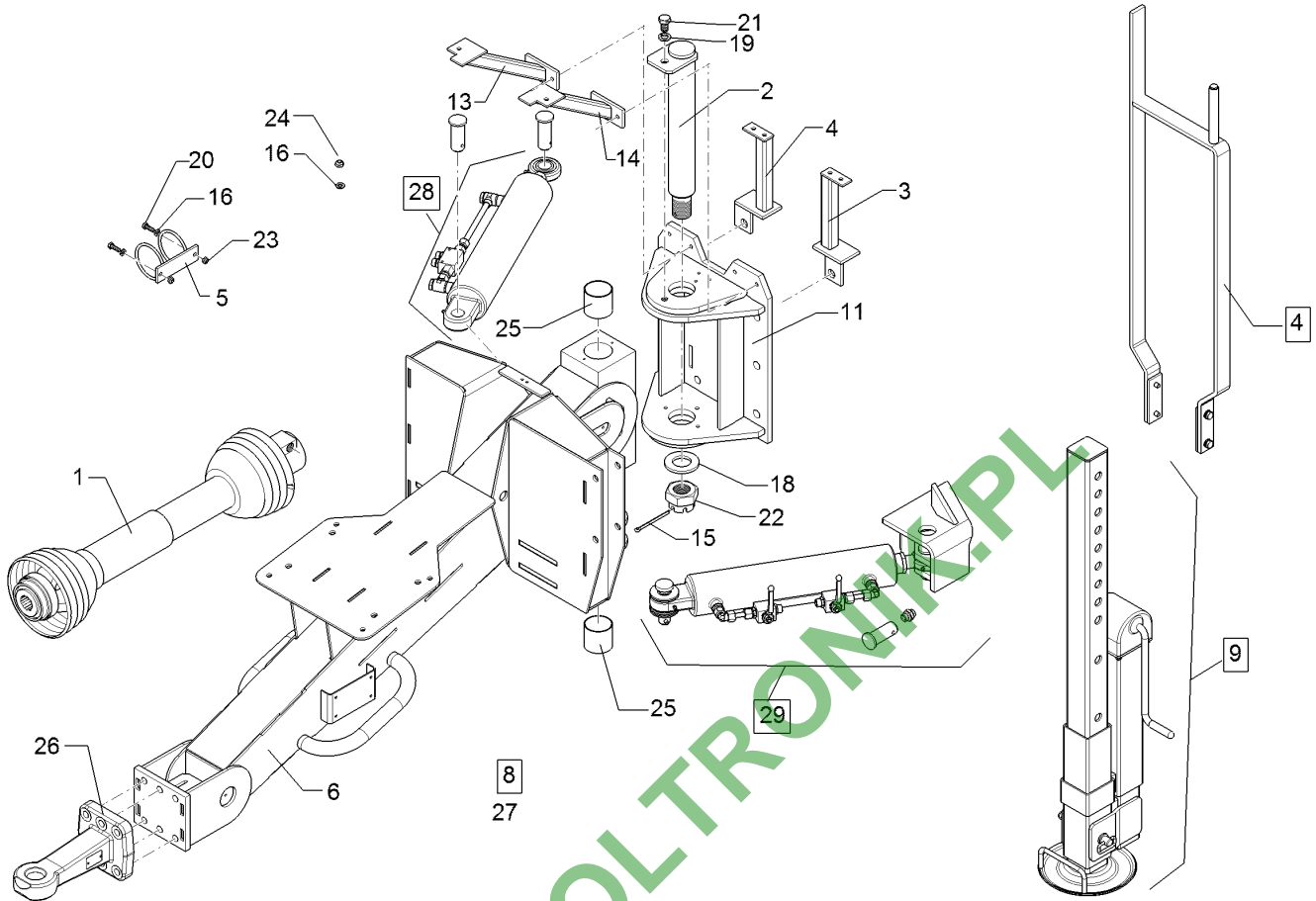
06.17

| Pos. | Art.Nr. | Stck. | Artikeltext / Description | | Abmessung |
|------|----------|-------|---------------------------|---------------|---------------------------|
| 26 | F35 0297 | 1 | Zugöse | Traction loop | D40x240 6xD17 DIN11026 |
| 28 | F60 0519 | 1 | Hydraulikzylinder | Hydraulic ram | - |
| 29 | F06 2445 | 1 | TRAIL-Control | TRAIL-Control | ET |



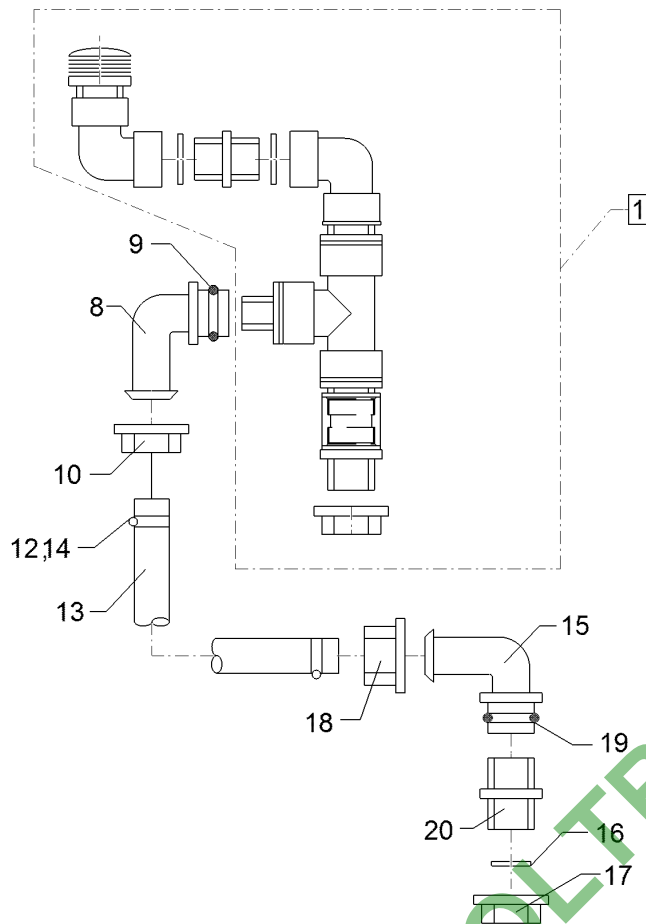
06.17

| Pos. | Art.Nr. | Stck. | Artikeltext / Description | | Abmessung |
|------|----------|-------|---------------------------|-----------------|-------------------------|
| 1 | F01 4488 | 1 | Gelenkwelle | Cardan shaft | WWE2280-SD15-1010 |
| 2 | F02 0934 | 1 | Bolzen | Pin | D60x440 M42x3 |
| 3 | F02 0939 | 1 | Stütze | Support | 268x60x90 Li |
| 4 | F02 4803 | 1 | Stütze | Support | 268x60x90 re |
| 5 | F02 4722 | 1 | Halter | Holder | 92x98x130 |
| 6 | F03 0270 | 1 | Deichsel | Drawbar | - |
| 8 | F06 0664 | 1 | Verbindungs- kit | 90 GRD | - |
| 9 | F06 0667 | 1 | Abstellstütze | Stand | ET ZMD |
| 11 | F06 0683 | 1 | Gelenk | Link | KPL |
| 12 | F06 1884 | 1 | Schlauchhalter | Hose carrier | ET |
| 13 | F12 0034 | 1 | Strebe | Strut | 276x188x105 re |
| 14 | F12 0035 | 1 | Strebe | Strut | 276x188x105 li |
| 15 | 31110027 | 1 | Splint | Peg | 6,3x90 DIN94-St Zn |
| 16 | 305 8695 | 2 | Scheibe | Washer | A8,4 DIN125 A2 |
| 17 | 305 8704 | 1 | Scheibe | Washer | A10,5 DIN125-St A2 |
| 18 | 30510229 | 1 | Scheibe | Washer | 43 DIN125 Zn5 |
| 19 | 30510203 | 1 | Federring | Spring ring | 16-B DIN127 A4 |
| 20 | 301 7518 | 2 | Sechskantschraube | Hexagon bolt | M8x25-A2 DIN933 |
| 21 | 30110290 | 1 | Sechskantschraube | Hexagon bolt | M16x25-8.8 Zn DIN933 |
| 22 | 30310126 | 1 | Kronenmutter | Castle nut | M42-8 DIN935 Zn5 |
| 23 | 30310043 | 2 | Sicherungsmutter | Selflocking nut | NM8 DIN985-A4 |
| 24 | 30310029 | 1 | Sicherungsmutter | Selflocking nut | NM10 A4 DIN985 |
| 25 | F25 0310 | 2 | Buchse | Bush | 60/65x60 |



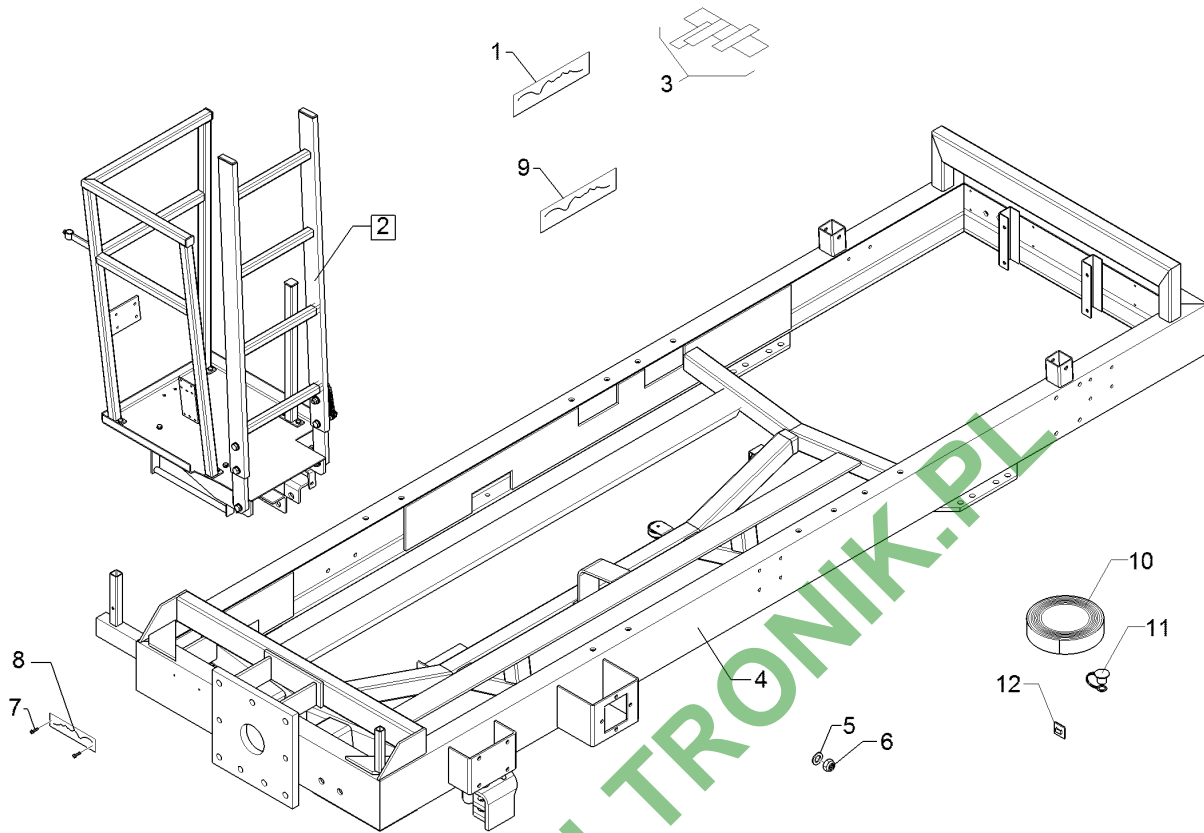
06.17

| Pos. | Art.Nr. | Stck. | Artikeltext / Description | | Abmessung |
|------|----------|-------|---------------------------|---------------|---------------------------|
| 26 | F35 0297 | 1 | Zugöse | Traction loop | D40x240 6xD17 DIN11026 |
| 28 | F60 0519 | 1 | Hydraulikzylinder | Hydraulic ram | - |
| 29 | F06 2445 | 1 | TRAIL-Control | TRAIL-Control | ET |



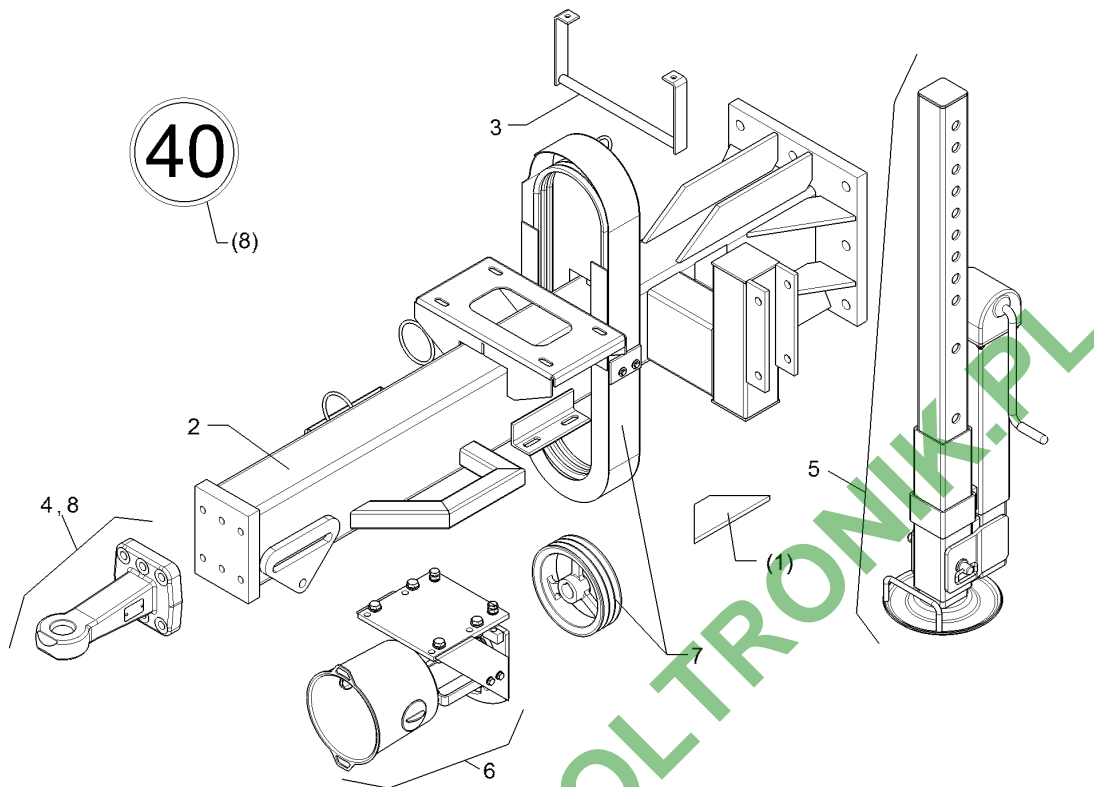
06.17

| Pos. | Art.Nr. | Stck. | Artikeltext / Description | Abmessung | |
|------|----------|-------|---------------------------|-------------------|------------------------|
| 1 | F13 0001 | 1 | Belüftungsventil | Ventilation valve | G2 ZL ET |
| 8 | F61 0854 | 1 | Schlauchanschluss | Hose connection | G1-1/2ZLÜ 90GRD D25 |
| 9 | 37810283 | 1 | O-Ring | O-ring | 29,2x3 |
| 10 | 37810581 | 1 | Überwurfmutter | Union nut | G1-1/2 ZL |
| 12 | F55 0250 | 2 | Schutzkappe | Cap | bl 9mm |
| 13 | F11 1009 | 1 | Schlauch | Hose | di25x3,5x570 |
| 14 | F61 2400 | 2 | Schlauchschelle | Hose clip | D20-D32x9 |
| 15 | F61 0851 | 1 | Schlauchanschluss | Hose connection | G1-1/4ZLÜ 90GRD D25 |
| 16 | F61 1909 | 1 | Dichtung | Seal | 40x60x4 |
| 17 | 37810672 | 1 | Mutter | Nut | G1-1/4ZLI |
| 18 | 37810580 | 1 | Überwurfmutter | Union nut | G1-1/4 ZL |
| 19 | 37810281 | 1 | O-Ring | O-ring | 26,7x2,6 |
| 20 | 37810484 | 1 | Adapter | Adapter | G1-1/4ZLA G1-1/4ZLA |



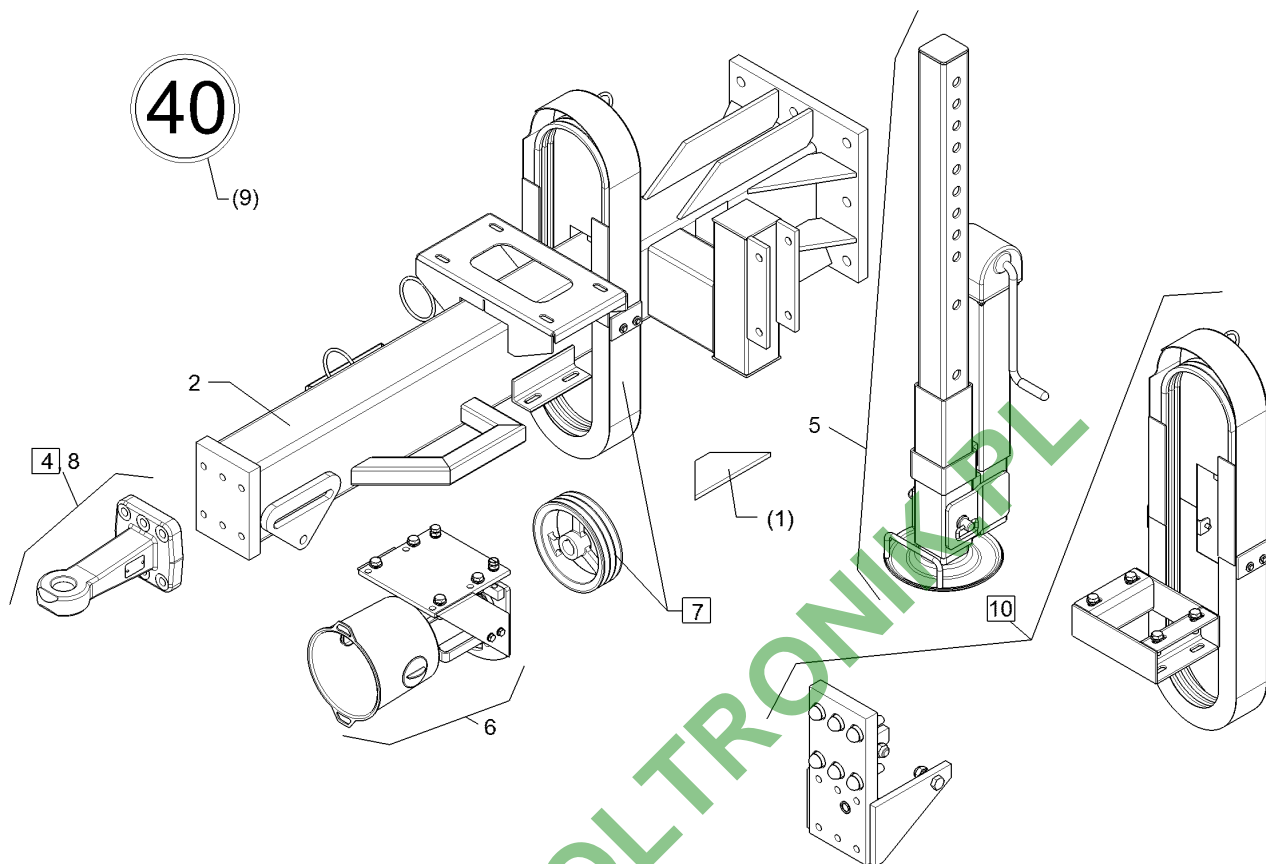
06.17

| Pos. | Art.Nr. | Stck. | Artikeltext / Description | Abmessung | |
|------|----------|-------|---------------------------|------------------------------|-----------------------------------|
| 1 | F01 4626 | 2 | Aufkleber | Label | ET |
| 2 | F06 0318 | 1 | Plattform | Platform | EuroTrain |
| 3 | F06 0793 | 1 | Aufklebersatz | Label | ET |
| 4 | F12 0011 | 1 | Grundrahmen | Basic frame | Eurtrain 3500 |
| 5 | 305 8704 | 1 | Scheibe | Washer | A10,5 DIN125-St A2 |
| 6 | 30310029 | 1 | Sicherungsmutter | Selflocking nut | NM10 A4 DIN985 |
| 7 | F20 0812 | 2 | Blindniet | Rivet | 3,2x10 A2 DIN7337 |
| 8 | F50 0126 | 1 | Typenschild | Type-plate | CE |
| 9 | F51 0159 | 2 | Aufkleber | Label | 3500 |
| 10 | F55 0213 | 15 | Zellkautschuk | Caoutchou | 80x10 |
| 11 | F60 0967 | 10 | Schutzkappe | Cap | - |
| 12 | 325 1336 | 30 | Kabelbinderklebesockel | Adhesive base for cable ties | Ty8-G1S-N66-NA (Heix-Artikelnr |



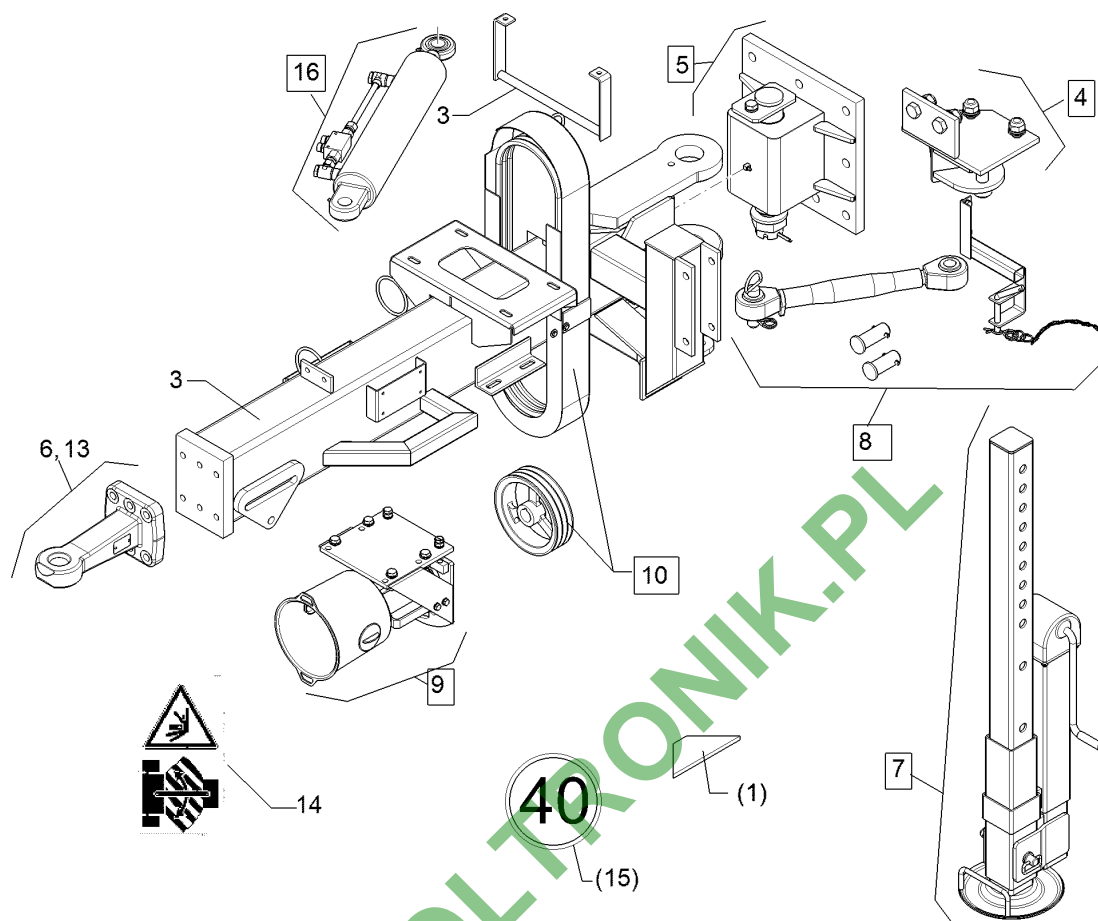
06.17

| Pos. | Art.Nr. | Stck. | Artikeltext / Description | Abmessung | |
|------|----------|-------|---------------------------|---------------|----------------------------|
| 1 | F01 0847 | 1 | Knotenblech | Gusset plate | 80x10x200 2x45GRD |
| 2 | F02 0988 | 1 | Deichsel | Drawbar | ET2600 ZMD starr/40/540 |
| 4 | F06 0664 | 1 | Verbindungs- kit | 90 GRD | - |
| 5 | F06 0667 | 1 | Abstellstütze | Stand | ET ZMD |
| 6 | F06 0671 | 1 | Lagerbock | Bearing block | KPL ET |
| 7 | F06 0797 | 1 | Pumpenantrieb | Pump drive | 540 1/min ET |
| 8 | F35 0297 | 1 | Zugöse | Traction loop | D40x240 6xD17 DIN11026 |
| 9 | F51 0229 | 1 | Aufkleber 40 km/h | Label | - |



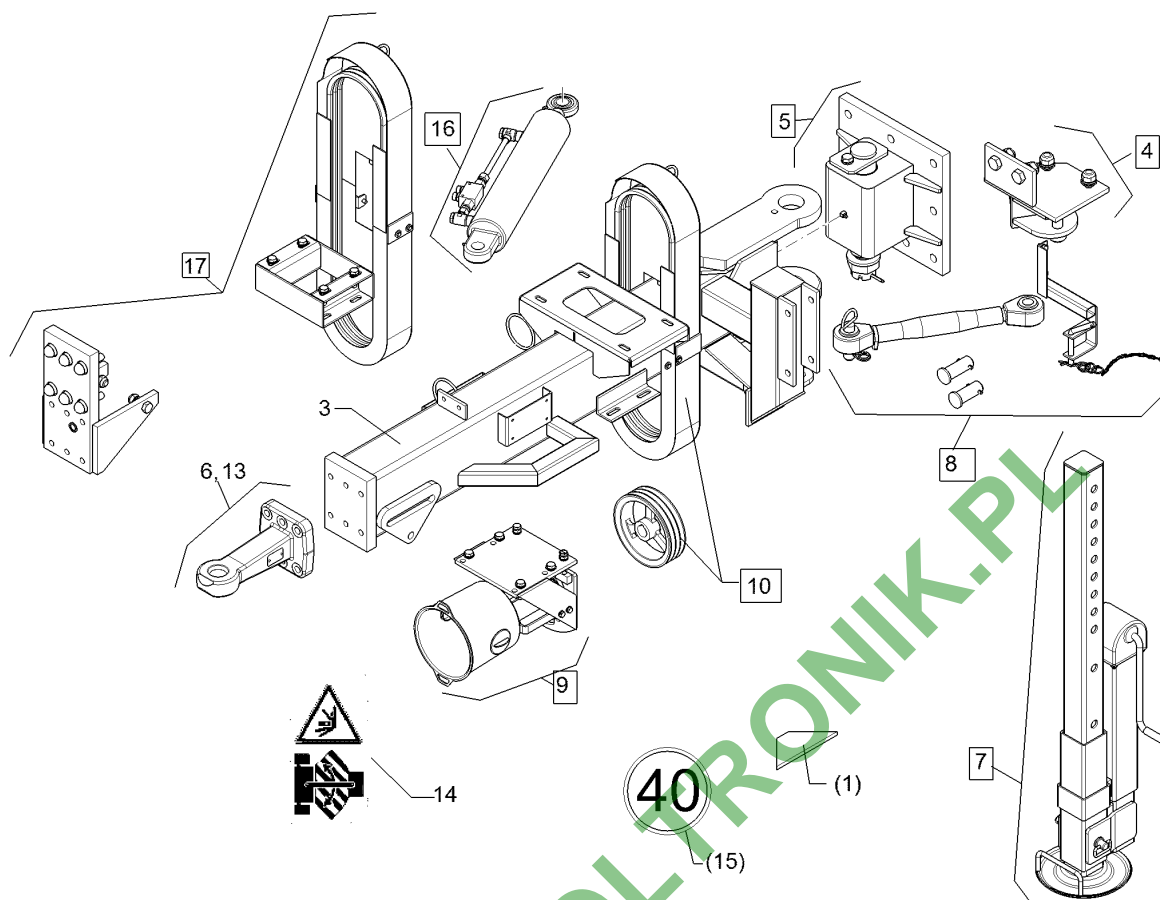
06.17

| Pos. | Art.Nr. | Stck. | Artikeltext / Description | Abmessung | |
|------|----------|-------|---------------------------|---------------|----------------------------|
| 1 | F01 0847 | 1 | Knotenblech | Gusset plate | 80x10x200 2x45GRD |
| 2 | F02 0988 | 1 | Deichsel | Drawbar | ET2600 ZMD starr/40/540 |
| 4 | F06 0664 | 1 | Verbindungs- kit | 90 GRD | - |
| 5 | F06 0667 | 1 | Abstellstütze | Stand | ET ZMD |
| 6 | F06 0671 | 1 | Lagerbock | Bearing block | KPL ET |
| 7 | F06 0797 | 1 | Pumpenantrieb | Pump drive | 540 1/min ET |
| 8 | F35 0297 | 1 | Zugöse | Traction loop | D40x240 6xD17 DIN11026 |
| 9 | F51 0229 | 1 | Aufkleber 40 km/h | Label | - |
| 10 | F06 0870 | 1 | Zugmauladapter | Adapter | KPL 540 1/min. |



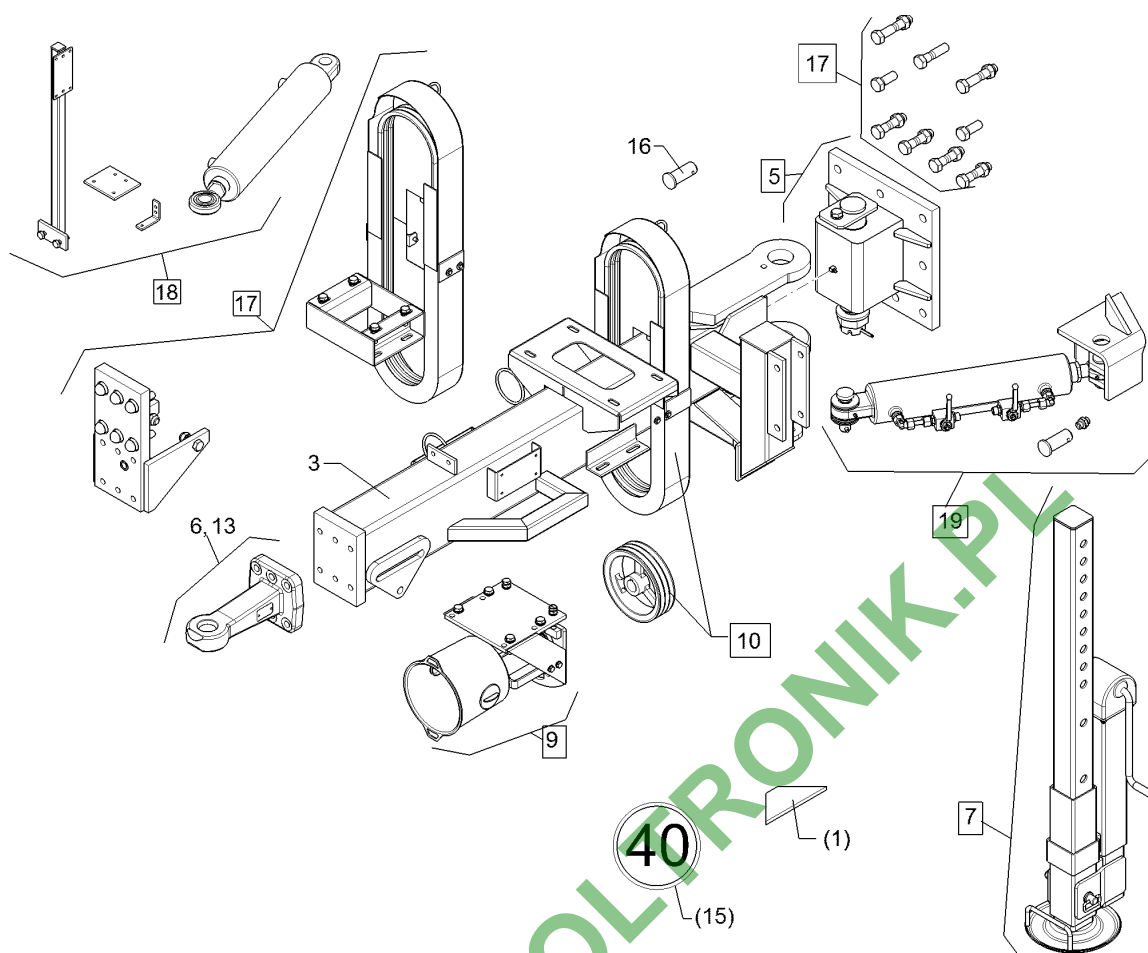
06.17

| Pos. | Art.Nr. | Stck. | Artikeltext / Description | Abmessung | |
|------|----------|-------|---------------------------|---------------|---------------------------|
| 1 | F01 0847 | 1 | Knotenblech | Gusset plate | 80x10x200 2x45GRD |
| 3 | F03 0200 | 1 | Deichsel | Drawbar | ET |
| 4 | F04 0133 | 1 | Gelenk | Link | KPL |
| 5 | F06 0663 | 1 | Lagerung | Bearing | KPL |
| 6 | F06 0664 | 1 | VerbindungsKit | 90 GRD | - |
| 7 | F06 0667 | 1 | Abstellstütze | Stand | ET ZMD |
| 8 | F06 0668 | 1 | VerbindungsKit | 90 GRD | - |
| 9 | F06 0671 | 1 | Lagerbock | Bearing block | KPL ET |
| 10 | F06 0797 | 1 | Pumpenantrieb | Pump drive | 540 1/min ET |
| 13 | F35 0297 | 1 | Zugöse | Traction loop | D40x240 6xD17 DIN11026 |
| 14 | F51 0178 | 2 | Aufkleber | Label | - |
| 15 | F51 0229 | 1 | Aufkleber 40 km/h | Label | - |
| 16 | F60 0519 | 1 | Hydraulikzylinder | Hydraulic ram | - |



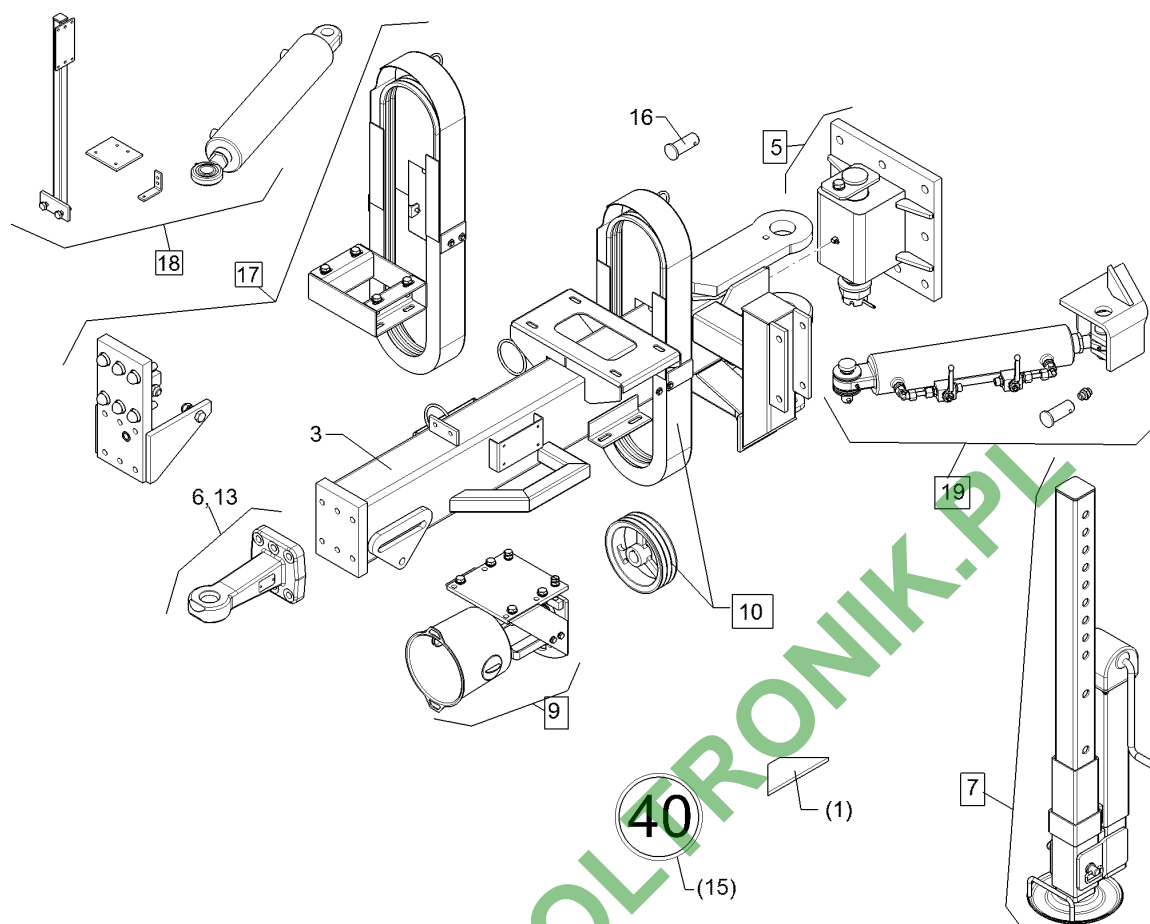
06.17

| Pos. | Art.Nr. | Stck. | Artikeltext / Description | | Abmessung |
|------|----------|-------|---------------------------|---------------|---------------------------|
| 1 | F01 0847 | 1 | Knotenblech | Gusset plate | 80x10x200 2x45GRD |
| 3 | F03 0200 | 1 | Deichsel | Drawbar | ET |
| 4 | F04 0133 | 1 | Gelenk | Link | KPL |
| 5 | F06 0663 | 1 | Lagerung | Bearing | KPL |
| 6 | F06 0664 | 1 | VerbindungsKit | 90 GRD | - |
| 7 | F06 0667 | 1 | Abstellstütze | Stand | ET ZMD |
| 8 | F06 0668 | 1 | VerbindungsKit | 90 GRD | - |
| 9 | F06 0671 | 1 | Lagerbock | Bearing block | KPL ET |
| 10 | F06 0797 | 1 | Pumpenantrieb | Pump drive | 540 1/min ET |
| 13 | F35 0297 | 1 | Zugöse | Traction loop | D40x240 6xD17 DIN11026 |
| 14 | F51 0178 | 2 | Aufkleber | Label | - |
| 15 | F51 0229 | 1 | Aufkleber 40 km/h | Label | - |
| 16 | F60 0519 | 1 | Hydraulikzylinder | Hydraulic ram | - |
| 17 | F06 0870 | 1 | Zugmauladapter | Adapter | KPL 540 1/min. |



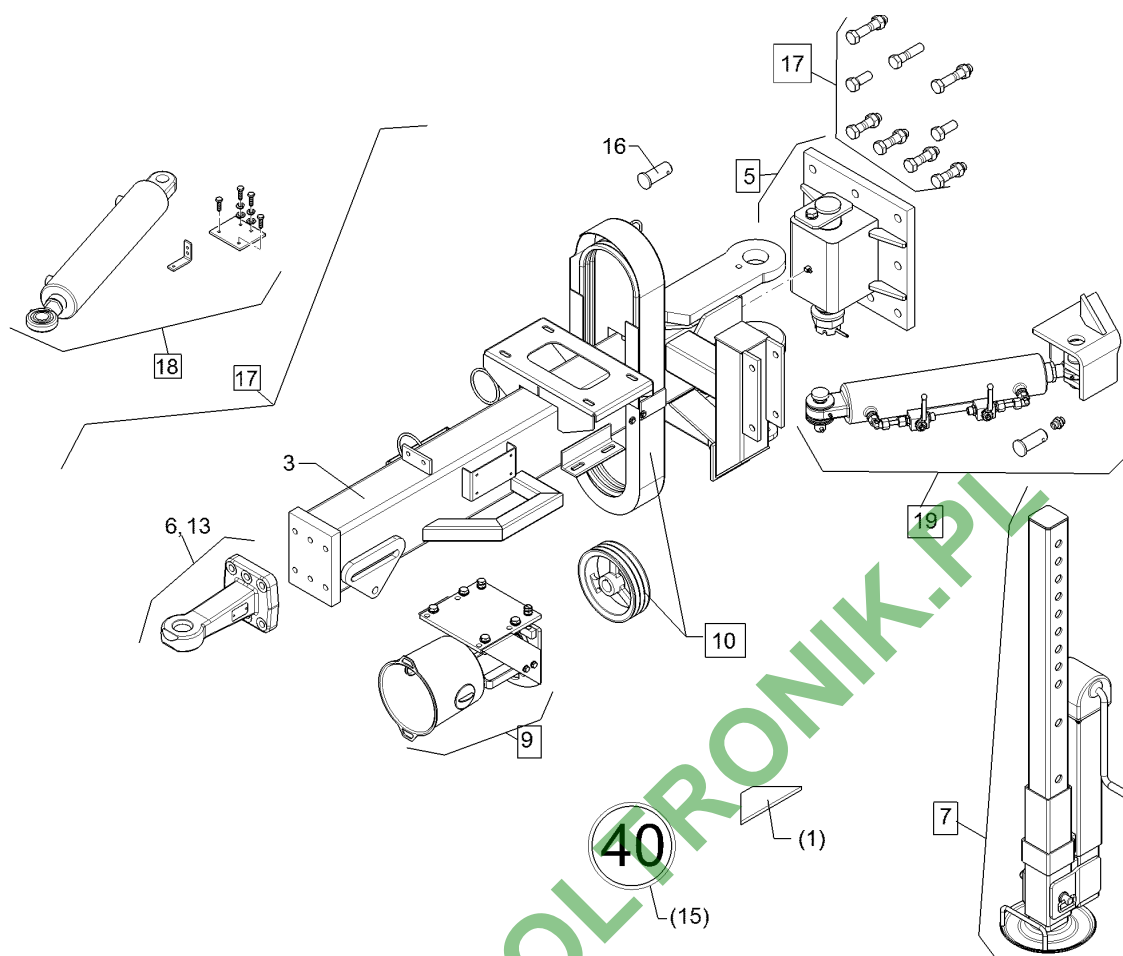
06.17

| Pos. | Art.Nr. | Stck. | Artikeltext / Description | | Abmessung |
|------|----------|-------|---------------------------|-----------------|---------------------------|
| 1 | F01 0847 | 1 | Knotenblech | Gusset plate | 80x10x200 2x45GRD |
| 3 | F03 0200 | 1 | Deichsel | Drawbar | ET |
| 5 | F06 0663 | 1 | Lagerung | Bearing | KPL |
| 6 | F06 0664 | 1 | Verbindungs-kit | 90 GRD | - |
| 7 | F06 0667 | 1 | Abstellstütze | Stand | ET ZMD |
| 9 | F06 0671 | 1 | Lagerbock | Bearing block | KPL ET |
| 10 | F06 0797 | 1 | Pumpenantrieb | Pump drive | 540 1/min ET |
| 13 | F35 0297 | 1 | Zugöse | Traction loop | D40x240 6xD17 DIN11026 |
| 15 | F51 0229 | 1 | Aufkleber 40 km/h | Label | - |
| 16 | F01 1249 | 1 | Bolzen | Pin | 30x62/40x86 d8 |
| 17 | F06 0662 | 1 | Verbindungs-kit | 90 GRD | ECO |
| 18 | F06 0669 | 1 | TRAIL-Control | TRAIL-Control | - |
| 19 | F06 2445 | 1 | TRAIL-Control | TRAIL-Control | ET |
| 20 | 305 8704 | 1 | Scheibe | Washer | A10,5 DIN125-St A2 |
| 21 | 30310029 | 1 | Sicherungsmutter | Selflocking nut | NM10 A4 DIN985 |



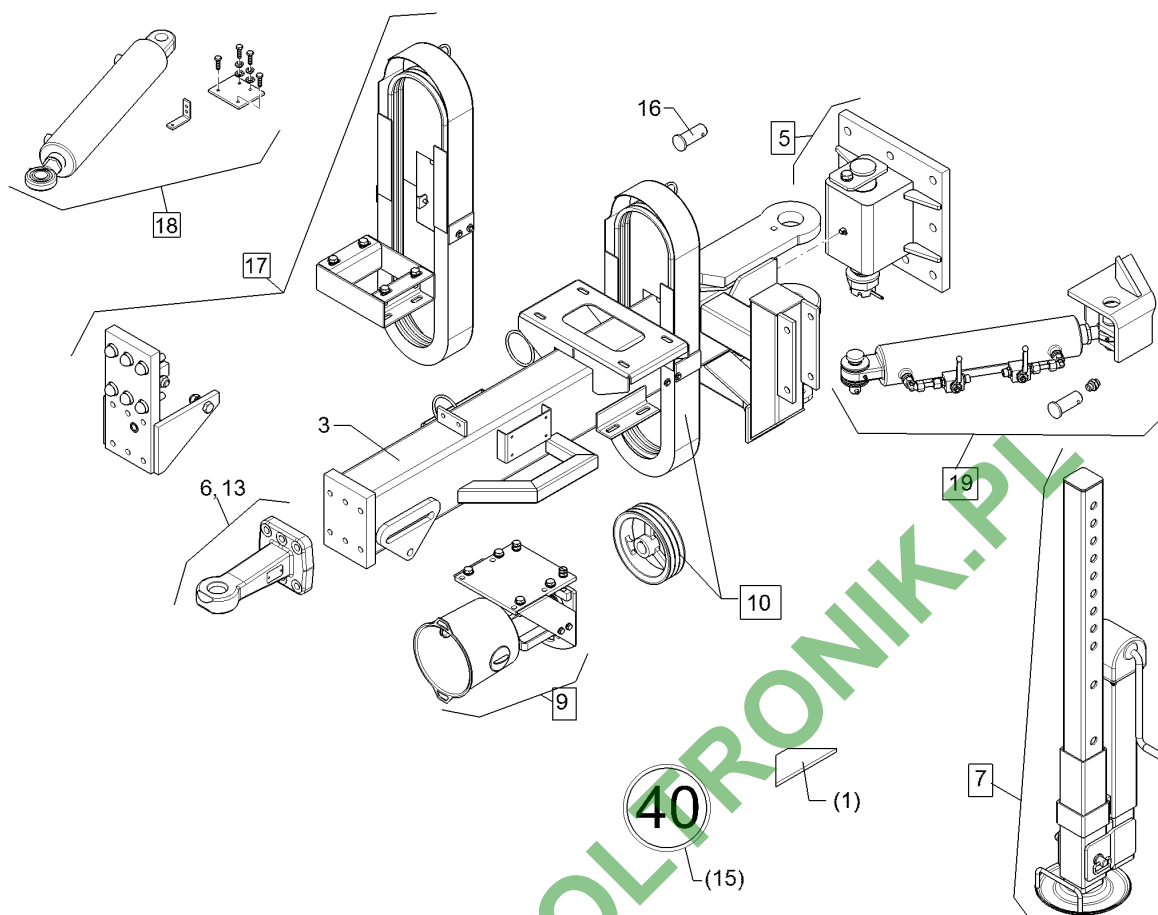
06.17

| Pos. | Art.Nr. | Stck. | Artikeltext / Description | | Abmessung |
|------|----------|-------|---------------------------|---------------|---------------------------|
| 1 | F01 0847 | 1 | Knotenblech | Gusset plate | 80x10x200 2x45GRD |
| 3 | F03 0200 | 1 | Deichsel | Drawbar | ET |
| 5 | F06 0663 | 1 | Lagerung | Bearing | KPL |
| 6 | F06 0664 | 1 | Verbindungs-kit | 90 GRD | - |
| 7 | F06 0667 | 1 | Abstellstütze | Stand | ET ZMD |
| 9 | F06 0671 | 1 | Lagerbock | Bearing block | KPL ET |
| 10 | F06 0797 | 1 | Pumpenantrieb | Pump drive | 540 1/min ET |
| 13 | F35 0297 | 1 | Zugöse | Traction loop | D40x240 6xD17 DIN11026 |
| 15 | F51 0229 | 1 | Aufkleber 40 km/h | Label | - |
| 16 | F01 1249 | 1 | Bolzen | Pin | 30x62/40x86 d8 |
| 17 | F06 0870 | 1 | Zugmauladapter | Adapter | KPL 540 1/min. |
| 18 | F06 0669 | 1 | TRAIL-Control | TRAIL-Control | - |
| 19 | F06 2445 | 1 | TRAIL-Control | TRAIL-Control | ET |



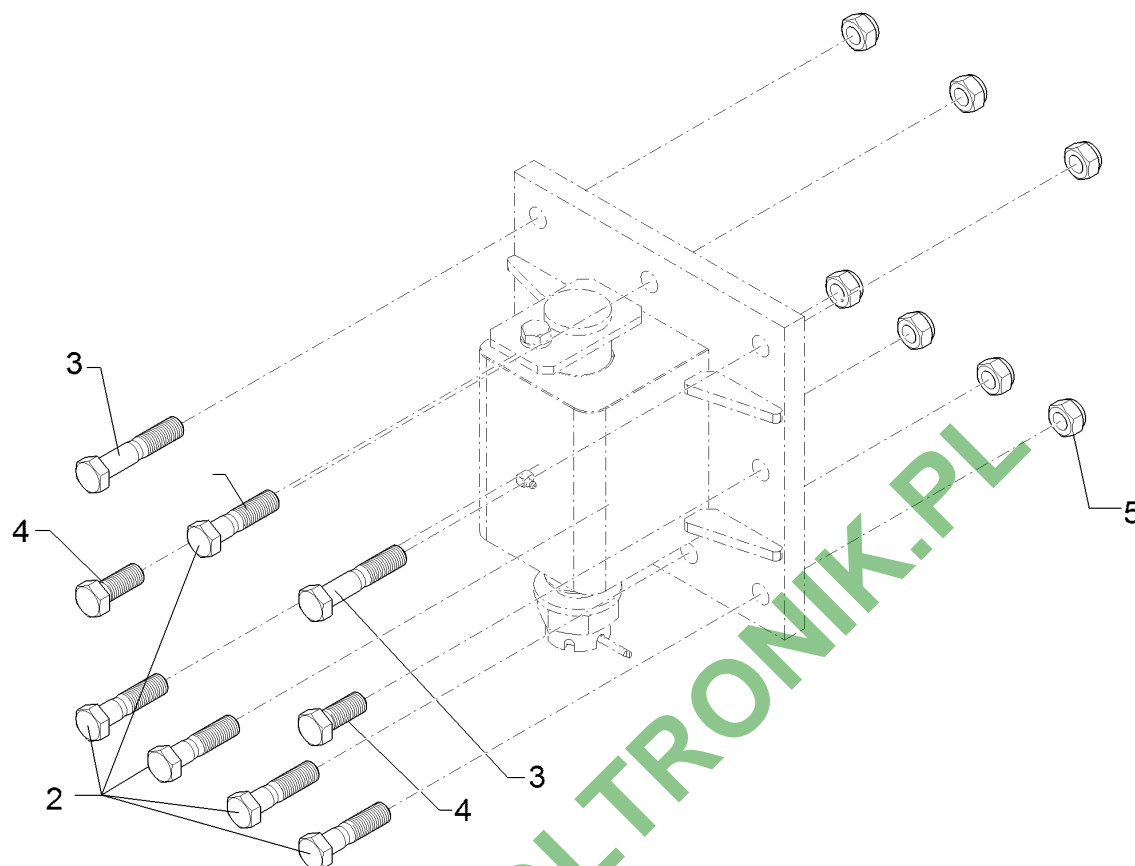
06.17

| Pos. | Art.Nr. | Stck. | Artikeltext / Description | | Abmessung |
|------|----------|-------|---------------------------|-----------------|---------------------------|
| 1 | F01 0847 | 1 | Knotenblech | Gusset plate | 80x10x200 2x45GRD |
| 3 | F03 0200 | 1 | Deichsel | Drawbar | ET |
| 5 | F06 0663 | 1 | Lagerung | Bearing | KPL |
| 6 | F06 0664 | 1 | Verbindungs-kit | 90 GRD | - |
| 7 | F06 0667 | 1 | Abstellstütze | Stand | ET ZMD |
| 9 | F06 0671 | 1 | Lagerbock | Bearing block | KPL ET |
| 10 | F06 0797 | 1 | Pumpenantrieb | Pump drive | 540 1/min ET |
| 13 | F35 0297 | 1 | Zugöse | Traction loop | D40x240 6xD17 DIN11026 |
| 15 | F51 0229 | 1 | Aufkleber 40 km/h | Label | - |
| 18 | F06 0670 | 1 | Nachlaufsteuerung | Control | - |
| 19 | F06 2445 | 1 | TRAIL-Control | TRAIL-Control | ET |
| 20 | 305 8704 | 1 | Scheibe | Washer | A10,5 DIN125-St A2 |
| 21 | 30310029 | 1 | Sicherungs-mutter | Selflocking nut | NM10 A4 DIN985 |



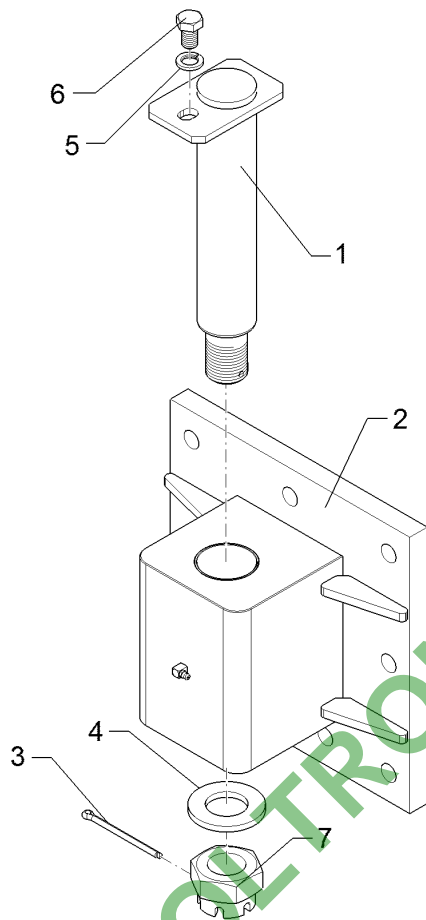
06.17

| Pos. | Art.Nr. | Stck. | Artikeltext / Description | | Abmessung |
|------|----------|-------|---------------------------|-----------------|---------------------------|
| 1 | F01 0847 | 1 | Knotenblech | Gusset plate | 80x10x200 2x45GRD |
| 3 | F03 0200 | 1 | Deichsel | Drawbar | ET |
| 5 | F06 0663 | 1 | Lagerung | Bearing | KPL |
| 6 | F06 0664 | 2 | Verbindungs-kit | 90 GRD | - |
| 7 | F06 0667 | 1 | Abstellstütze | Stand | ET ZMD |
| 9 | F06 0671 | 1 | Lagerbock | Bearing block | KPL ET |
| 10 | F06 0797 | 1 | Pumpenantrieb | Pump drive | 540 1/min ET |
| 13 | F35 0297 | 1 | Zugöse | Traction loop | D40x240 6xD17 DIN11026 |
| 15 | F51 0229 | 1 | Aufkleber 40 km/h | Label | - |
| 17 | F06 0870 | 1 | Zugmauladapter | Adapter | KPL 540 1/min. |
| 18 | F06 0670 | 1 | Nachlaufsteuerung | Control | - |
| 19 | F06 2445 | 1 | TRAIL-Control | TRAIL-Control | ET |
| 20 | 305 8704 | 1 | Scheibe | Washer | A10,5 DIN125-St A2 |
| 21 | 30310029 | 1 | Sicherungsmutter | Selflocking nut | NM10 A4 DIN985 |



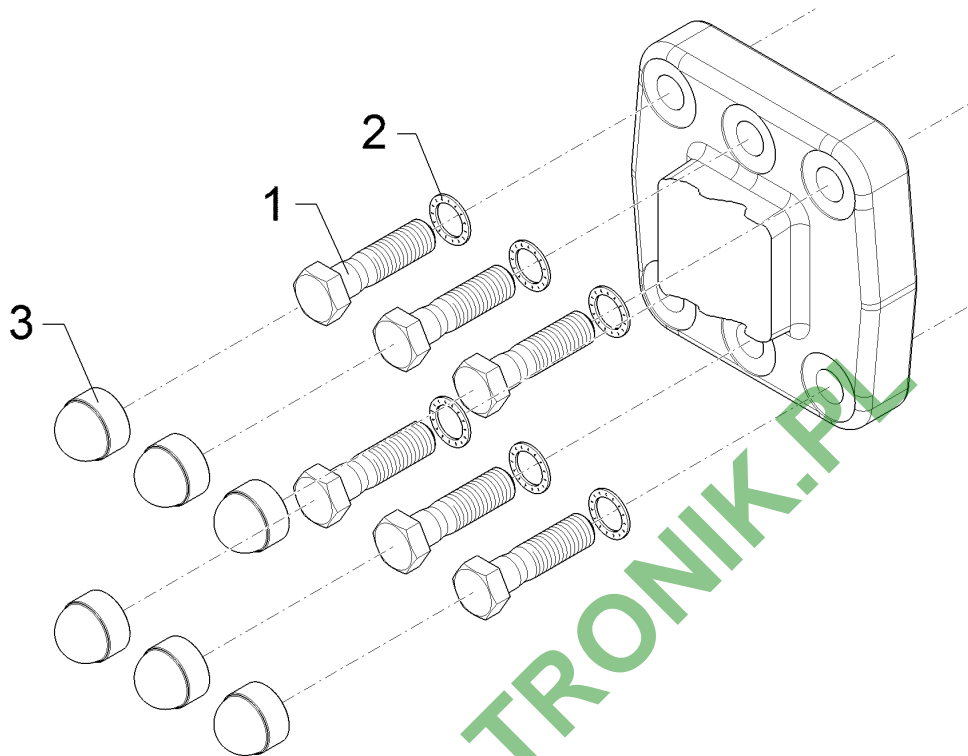
06.17

| Pos. | Art.Nr. | Stck. | Artikeltext / Description | | Abmessung |
|------|----------|-------|---------------------------|-----------------|------------------------------|
| 2 | 30110533 | 6 | Sechskantschraube | Hexagon bolt | M20x80-8.8 Zn5 DIN931 |
| 3 | 30110415 | 1 | Sechskantschraube | Hexagon bolt | M20x90-8.8 Zn DIN931 |
| 4 | 30110427 | 2 | Sechskantschraube | Hexagon bolt | M20x1,5x60-8.8 Zn5 DIN961 |
| 5 | 303 0936 | 7 | Sicherungsmutter | Selflocking nut | NM20-8 Zn DIN985 |



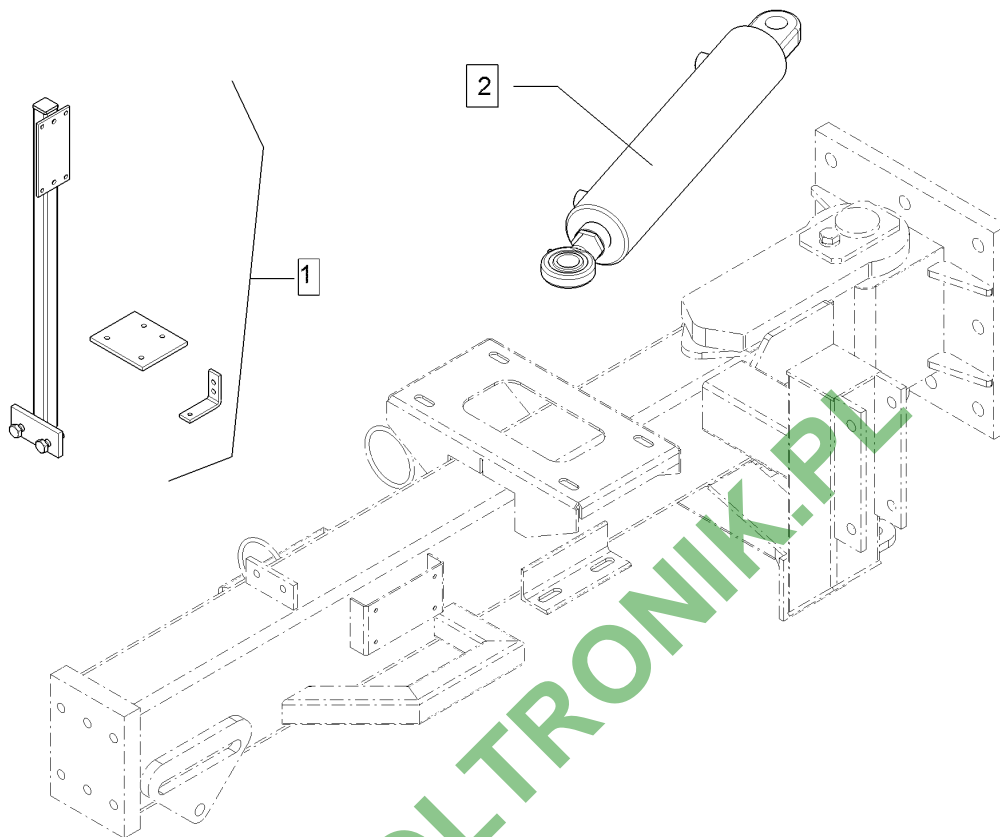
06.17

| Pos. | Art.Nr. | Stck. | Artikeltext / Description | Abmessung | |
|------|----------|-------|---------------------------|--------------|----------------------------|
| 1 | F02 0635 | 1 | Gelenkbolzen | Bolt | - |
| 2 | F03 0417 | 1 | Lagerung | Bearing | Eurotrain |
| 3 | 31110027 | 1 | Splint | Peg | 6,3x90 DIN94-St Zn |
| 4 | 30510229 | 1 | Scheibe | Washer | 43 DIN125 Zn5 |
| 5 | 30510203 | 1 | Federring | Spring ring | 16-B DIN127 A4 |
| 6 | 30110290 | 1 | Sechskantschraube | Hexagon bolt | M16x25-8.8 Zn |
| 7 | 30310126 | 1 | Kronenmutter | Castle nut | DIN933 M42-8 DIN935 Zn5 |



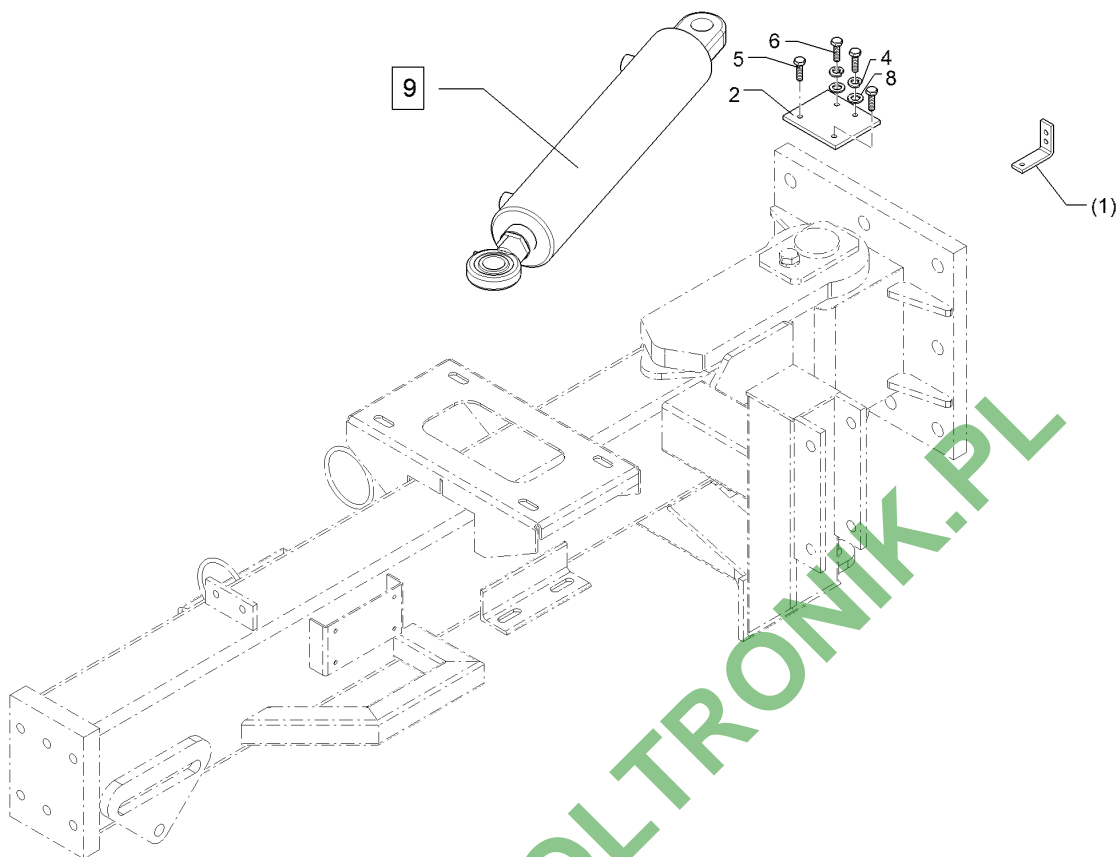
06.17

| Pos. | Art.Nr. | Stck. | Artikeltext / Description | | Abmessung |
|------|----------|-------|---------------------------|--------------|-------------------------|
| 1 | 301 3840 | 6 | Sechskantschraube | Hexagon bolt | M16x1,5x50ls23xb22-10.9 |
| 2 | F20 0861 | 6 | Sicherungsscheibe | Lock washer | Zn 17x24x1,3 V2A |
| 3 | F55 0248 | 6 | Sechskantkappe | Hexagon cap | M16 |



06.17

| Pos. | Art.Nr. | Stck. | Artikeltext / Description | Abmessung |
|------|----------|-------|---------------------------|-------------------------------|
| 1 | F06 0942 | 1 | Halter | KPL ET |
| 2 | F60 0507 | 1 | Hydraulikzylinder | DZ090/45x0320-0610 D30 D30 |

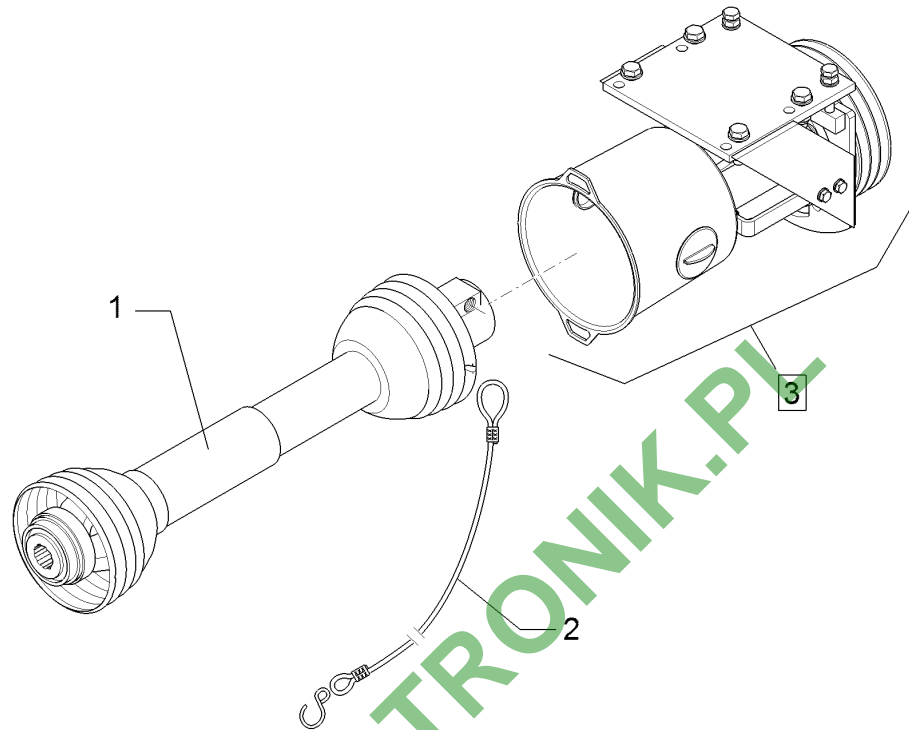


06.17

| Pos. | Art.Nr. | Stck. | Artikeltext / Description | Abmessung | |
|------|----------|-------|---------------------------|---------------|-------------------------------|
| 1 | F01 2647 | 1 | Winkel | Angle | 20x5x60/50 90GRD |
| 2 | F01 3424 | 1 | Halter | Holder | 100x6x85 2xd7 2xM8 |
| 4 | F20 0313 | 2 | Federring | Spring ring | B5 A2 DIN127 |
| 5 | 30110351 | 2 | Sechskantschraube | Hexagon bolt | M5x16-8.8 Zn DIN933 |
| 6 | 30110170 | 2 | Sechskantschraube | Hexagon bolt | M5x20-A2 DIN933 |
| 8 | 30510232 | 2 | Scheibe | Washer | 5,3 DIN9021 Zn5 |
| 9 | F60 0507 | 1 | Hydraulikzylinder | Hydraulic ram | DZ090/45x0320-0610 D30 D30 |

| | |
|-------------------------|----------|
| Lagerbock/Bearing block | 2 |
|-------------------------|----------|

| | |
|-----------------------------|-----------------|
| EuroTrain 2600 TC / 3500 TC | F06 0671 |
|-----------------------------|-----------------|



06.17

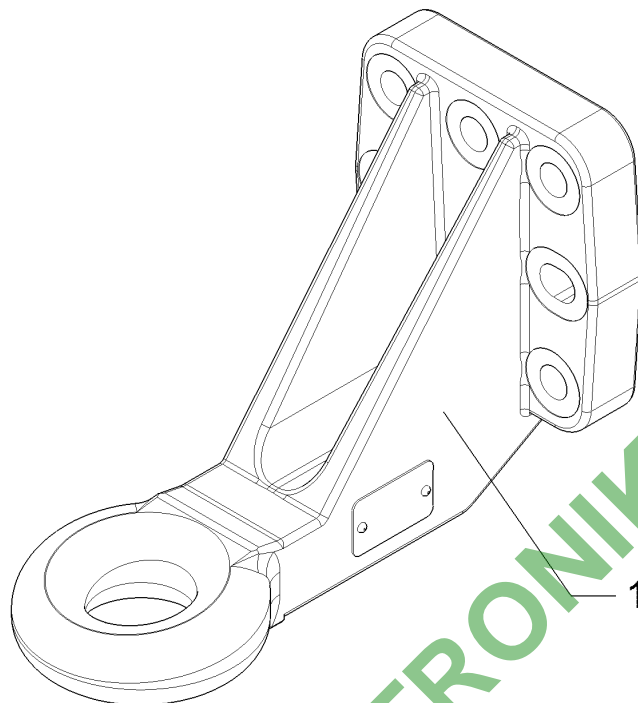
| Pos. | Art.Nr. | Stck. | Artikeltext / Description | Abmessung |
|------|----------|-------|-----------------------------|-------------------|
| 1 | F01 4488 | 1 | Gelenkwelle Cardan shaft | WWE2280-SD15-1010 |
| 2 | F02 0288 | 1 | Seil Rope | D8x800 |
| 3 | F03 0384 | 1 | Lagerbock Bearing block | ETC |

Zugöse/Traction loop

2

EuroTrain 2600 TC / 3500 TC

F06 0672

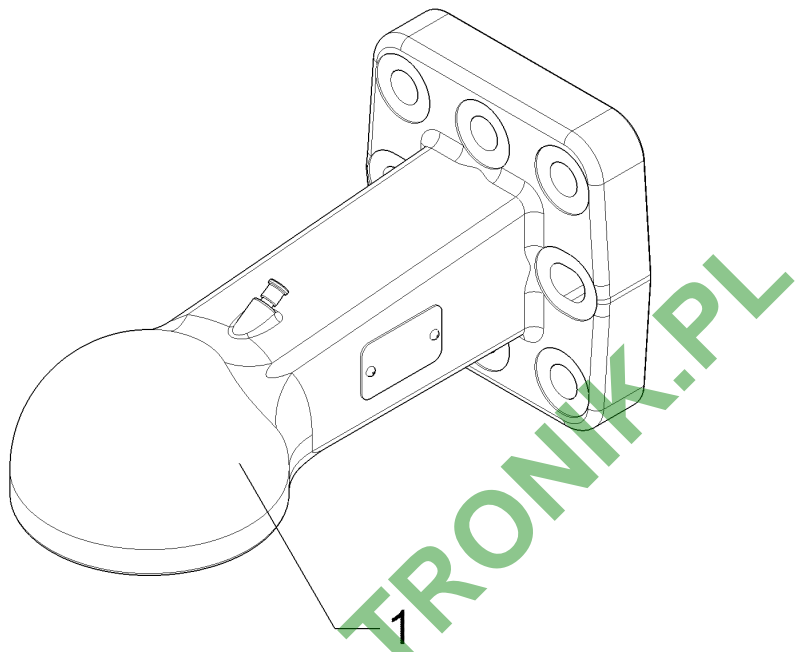


06.17

| Pos. | Art.Nr. | Stck. | Artikeltext / Description | Abmessung |
|------|----------|-------|---------------------------|---------------|
| 1 | F35 0314 | 1 | Zugöse Traction loop | D50x240 8xD17 |

| | |
|---------------------------------------|---|
| Zugkugelkupplung/Ball-shaped coupling | 2 |
|---------------------------------------|---|

| | |
|-----------------------------|----------|
| EuroTrain 2600 TC / 3500 TC | F06 0673 |
|-----------------------------|----------|



06.17

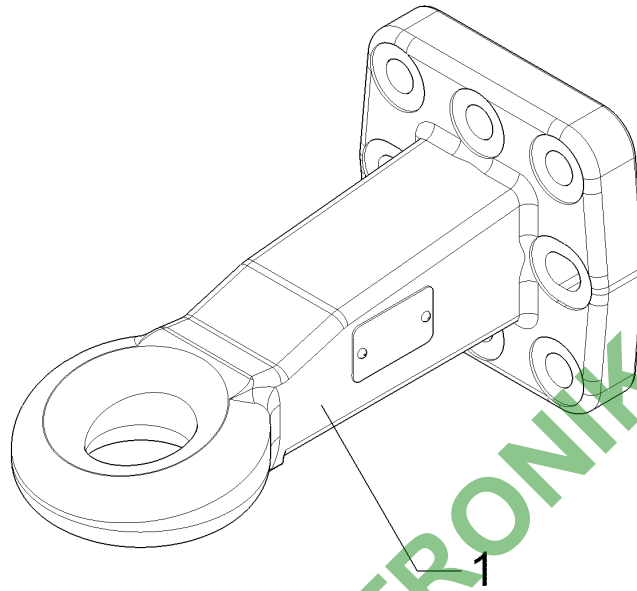
| Pos. | Art.Nr. | Stck. | Artikeltext / Description | Abmessung |
|------|----------|-------|--|-------------------|
| 1 | F35 0315 | 1 | Zugkugelkupplung Ball-shaped coupling | Typ 80-3192 8xD17 |

Zugöse/Traction loop

2

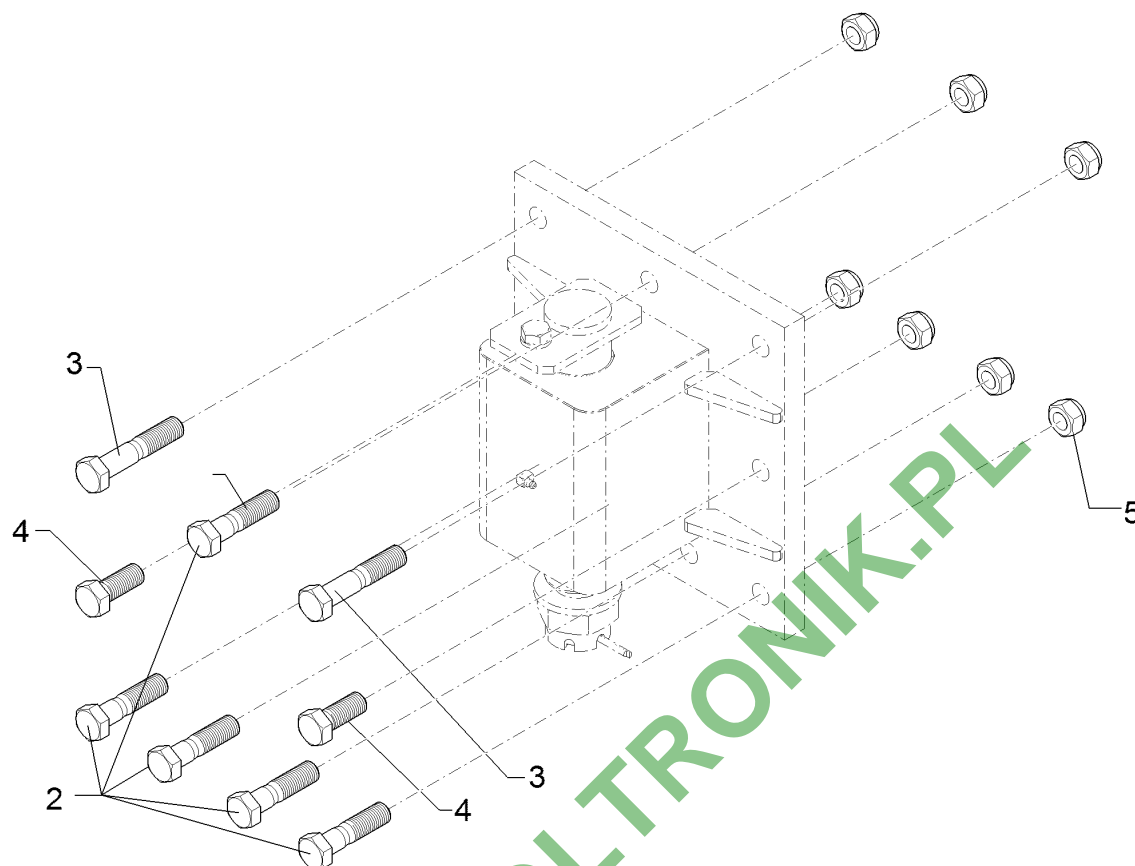
EuroTrain 2600 TC / 3500 TC

F06 0674



06.17

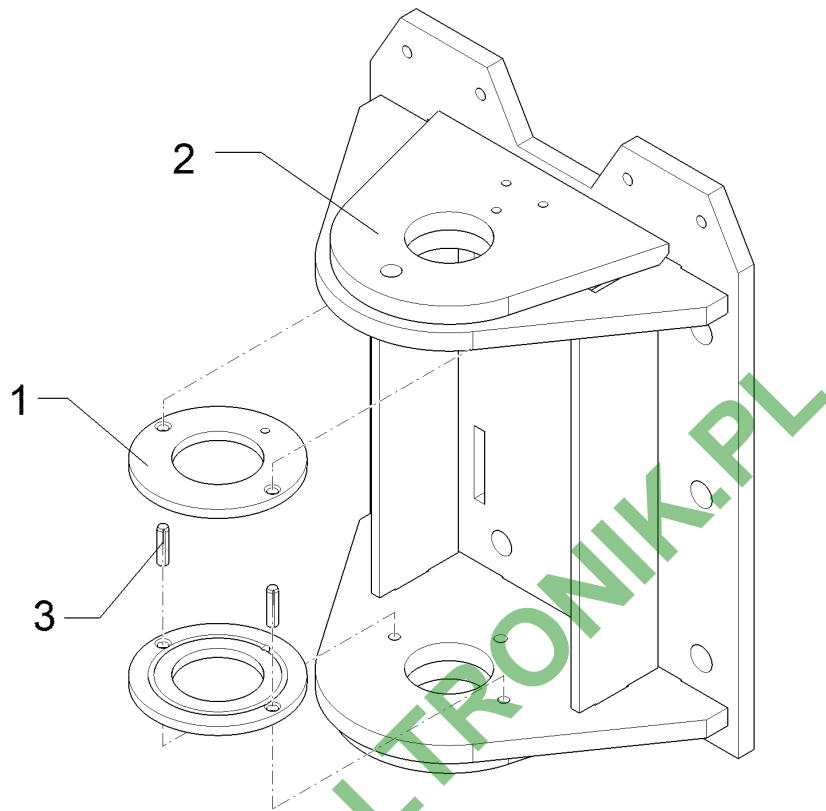
| Pos. | Art.Nr. | Stck. | Artikeltext / Description | Abmessung |
|------|----------|-------|---------------------------|---------------|
| 1 | F35 0313 | 1 | Zugöse Traction loop | D50x240 8xD17 |



06.17

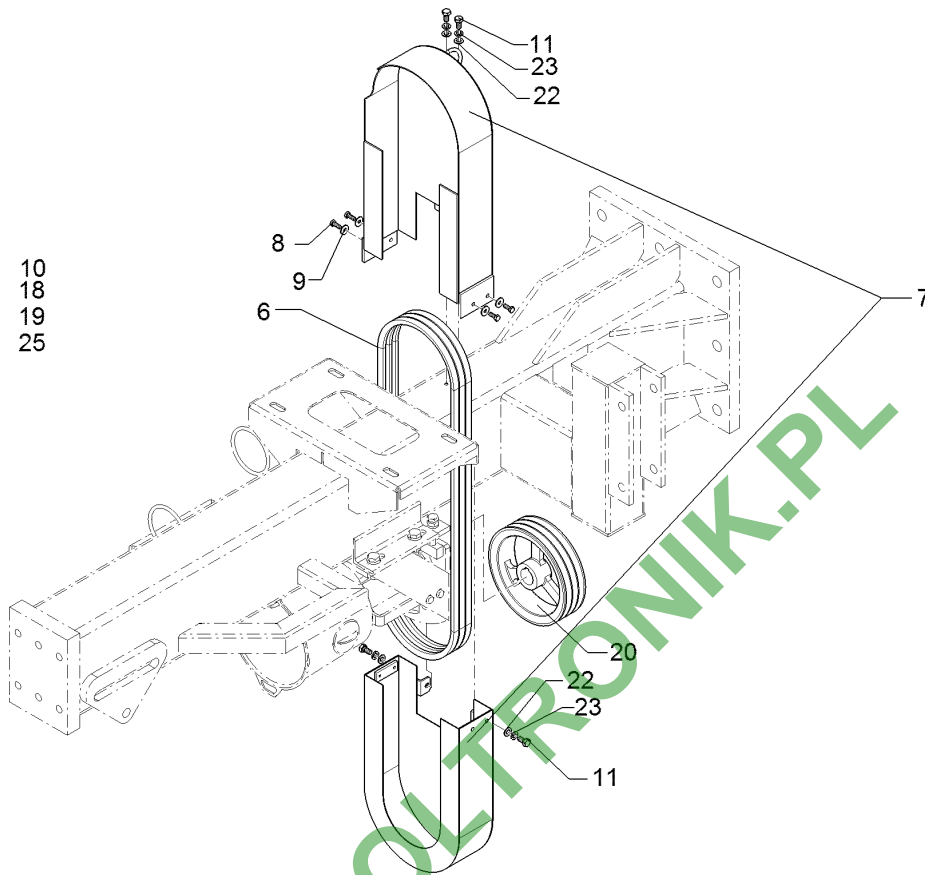
| Pos. | Art.Nr. | Stck. | Artikeltext / Description | Abmessung |
|------|----------|-------|---------------------------|------------------------------|
| 1 | F19 0029 | 1 | Montage | ET |
| 2 | 30110533 | 5 | Sechskantschraube | M20x80-8.8 Zn5 DIN931 |
| 3 | 301 4406 | 2 | Sechskantschraube | M20x100-8.8 Zn DIN931-A |
| 4 | 30110427 | 2 | Sechskantschraube | M20x1,5x60-8.8 Zn5 DIN961 |
| 5 | 303 0936 | 7 | Sicherungsmutter | NM20-8 Zn DIN985 |

| | |
|-----------------------------|----------|
| Gelenk/Link | 2 |
| EuroTrain 2600 TC / 3500 TC | F06 0683 |



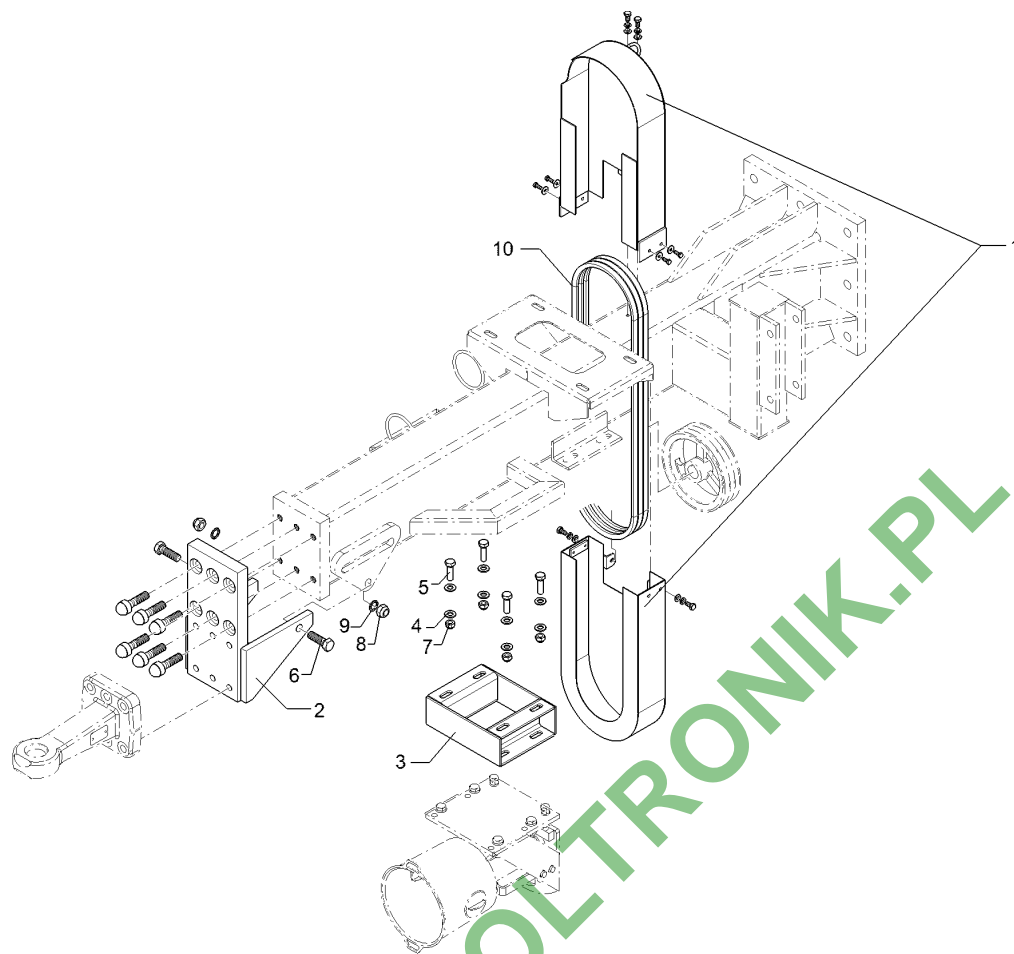
06.17

| Pos. | Art.Nr. | Stck. | Artikeltext / Description | Abmessung |
|------|----------|-------|---------------------------|----------------------|
| 1 | F01 2394 | 2 | Lagerscheibe | Bearing disc |
| 2 | F02 1238 | 1 | Gelenk | Link |
| 3 | F20 0750 | 4 | Zylinderkerbstift | Straight grooved pin |
| | | | | - |
| | | | | ET2600/3500 |
| | | | | 8x20 6.8bl DIN1473 |



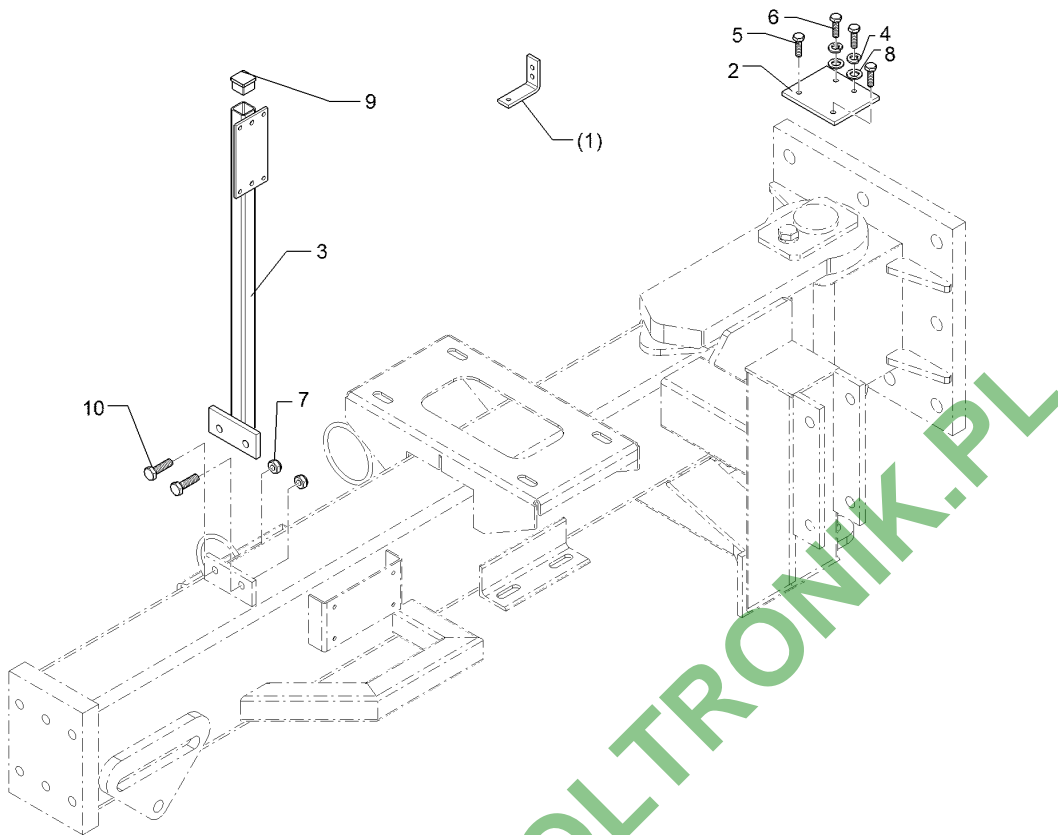
06.17

| Pos. | Art.Nr. | Stck. | Artikeltext / Description | Abmessung | |
|------|----------|-------|---------------------------|-----------------|------------------------|
| 6 | F25 0389 | 3 | Keilriemen | Cone belt | Lw=1600 |
| 7 | F02 0571 | 1 | Schutzvorrichtung | Safety guard | 230x80x775 |
| 8 | 301 7513 | 4 | Sechskantschraube | Hexagon bolt | M6x16-A2 DIN933 |
| 9 | 305 8703 | 4 | Scheibe | Washer | 6,4 DIN9021 A2 |
| 10 | 30310042 | 4 | Sicherungsmutter | Selflocking nut | NM6 DIN985-A4 |
| 11 | 301 7511 | 4 | Sechskantschraube | Hexagon bolt | M8x16-A2 DIN933 |
| 18 | 301 7535 | 4 | Sechskantschraube | Hexagon bolt | M10x25-A2 DIN933 |
| 19 | 30510103 | 4 | Federring | Spring ring | 10-B DIN127 A2 |
| 20 | F01 0802 | 1 | Keilriemenscheibe | V-belt pulley | dw=180 |
| 22 | 305 8695 | 4 | Scheibe | Washer | A8,4 DIN125 A2 |
| 23 | 30510102 | 4 | Federring | Spring ring | 8 Form B-V2A DIN127 |
| 25 | 305 8704 | 4 | Scheibe | Washer | A10,5 DIN125-St A2 |



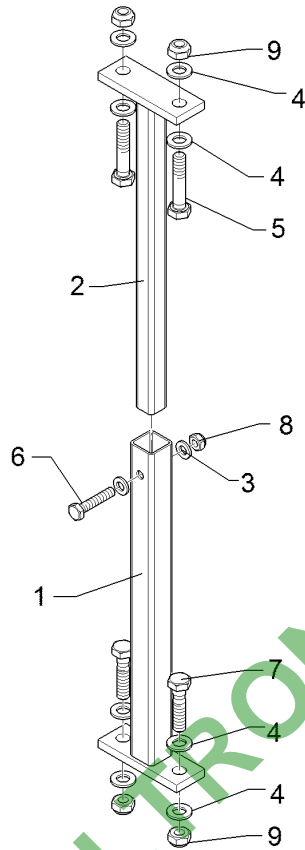
06.17

| Pos. | Art.Nr. | Stck. | Artikeltext / Description | Abmessung | |
|------|----------|-------|---------------------------|-----------------|--------------------------|
| 1 | F02 1299 | 1 | Schutz | Protection | ET |
| 2 | F02 1318 | 1 | Zugmauladapter | Adapter | ET |
| 3 | F02 1322 | 1 | Distanzkonsole | Bracket | ET 170x220x75 |
| 4 | 305 8709 | 4 | Scheibe | Washer | 13 DIN125-A A2 |
| 5 | 301 7538 | 4 | Sechskantschraube | Hexagon bolt | M12x40 A2 DIN933 |
| 6 | 30110387 | 2 | Sechskantschraube | Hexagon bolt | M16x50-10.9 Zn DIN933 |
| 7 | 30310030 | 4 | Sicherungsmutter | Selflocking nut | NM12 DIN985-A4 |
| 8 | 303 0935 | 2 | Sicherungsmutter | Selflocking nut | NM16-8 Zn DIN985 |
| 9 | F20 0861 | 2 | Sicherungsscheibe | Lock washer | 17x24x1,3 V2A |
| 10 | F25 0438 | 3 | Keilriemen | Cone belt | Lw=1750 |



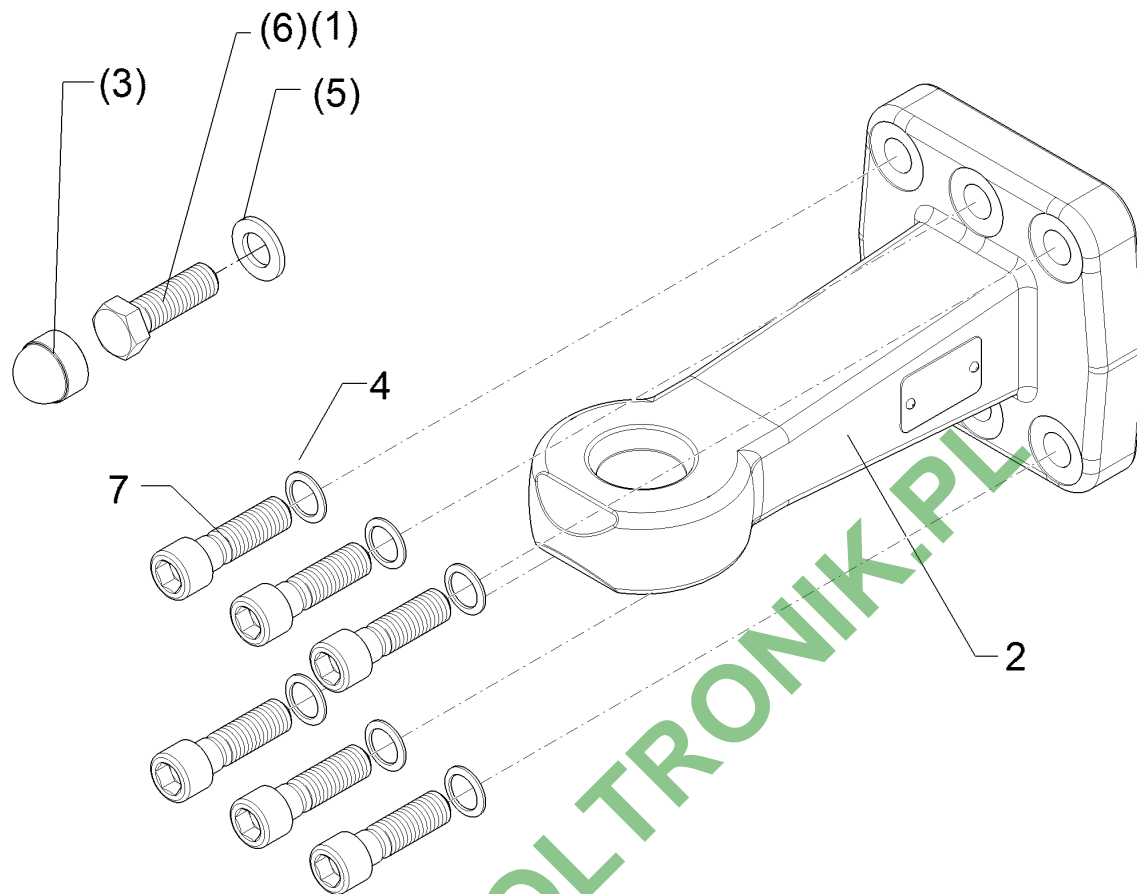
06.17

| Pos. | Art.Nr. | Stck. | Artikeltext / Description | | Abmessung |
|------|----------|-------|---------------------------|-----------------|-----------------------|
| 1 | F01 2647 | 1 | Winkel | Angle | 20x5x60/50 90GRD |
| 2 | F01 3424 | 1 | Halter | Holder | 100x6x85 2xd7 2xM8 |
| 3 | F02 1199 | 1 | Halter | Holder | 545x90x60 |
| 4 | F20 0313 | 2 | Federring | Spring ring | B5 A2 DIN127 |
| 5 | 30110170 | 2 | Sechskantschraube | Hexagon bolt | M5x20-A2 DIN933 |
| 6 | 30110169 | 2 | Sechskantschraube | Hexagon bolt | M5x16-A2 DIN933 |
| 7 | 30310029 | 2 | Sicherungsmutter | Selflocking nut | NM10 A4 DIN985 |
| 8 | 30510091 | 2 | Scheibe | Washer | 5,3 DIN9021 A2 |
| 9 | F55 0138 | 1 | Stopfen | Plug | 25x25x1.5-2 |
| 10 | 301 7512 | 2 | Sechskantschraube | Hexagon bolt | M10x35-A2 DIN933 |



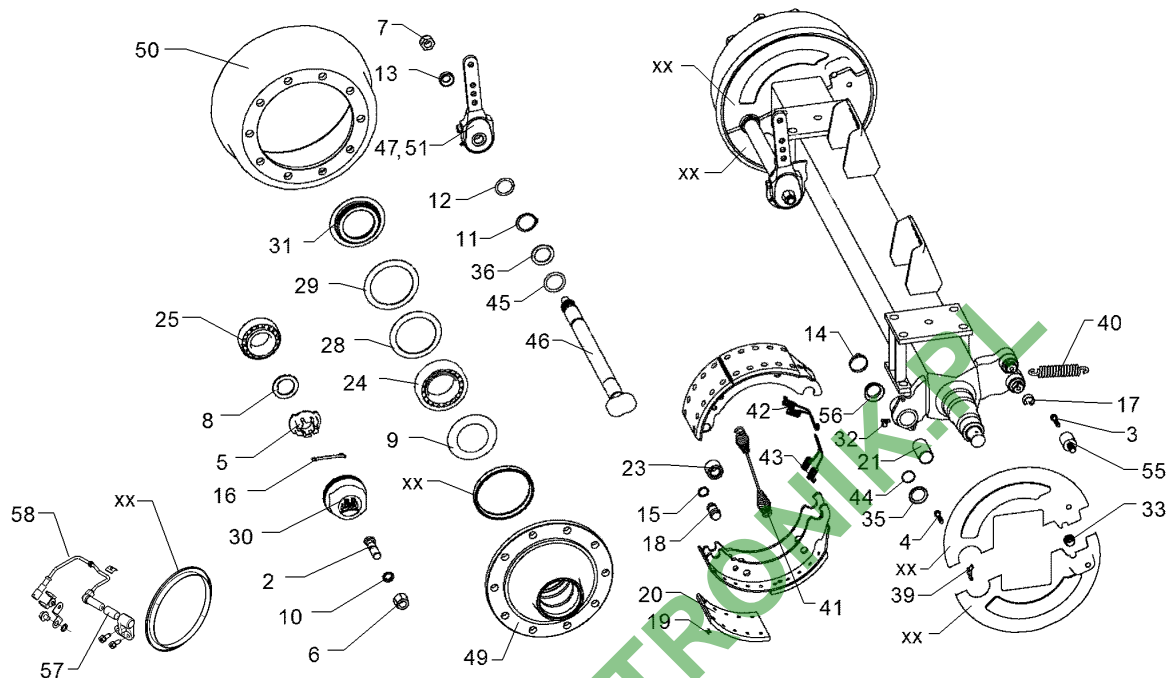
06.17

| Pos. | Art.Nr. | Stck. | Artikeltext / Description | Abmessung | |
|------|----------|-------|---------------------------|-----------------|------------------|
| 1 | F02 1604 | 1 | Abstrebung | Support | 20x20x1,5x246 d6 |
| 2 | F02 1605 | 1 | Abstrebung | Support | 15x15x1,5x246 |
| 3 | 305 8702 | 2 | Scheibe | Washer | 6,4 DIN125-A A2 |
| 4 | 305 8695 | 8 | Scheibe | Washer | A8,4 DIN125 A2 |
| 5 | 30110139 | 2 | Sechskantschraube | Hexagon bolt | M8x60-A2 DIN931 |
| 6 | 301 7503 | 1 | Sechskantschraube | Hexagon bolt | M6x30-A2 DIN933 |
| 7 | 30110174 | 2 | Sechskantschraube | Hexagon bolt | M8x50-A2 DIN933 |
| 8 | 30310042 | 1 | Sicherungsmutter | Selflocking nut | NM6 DIN985-A4 |
| 9 | 30310043 | 4 | Sicherungsmutter | Selflocking nut | NM8 DIN985-A4 |



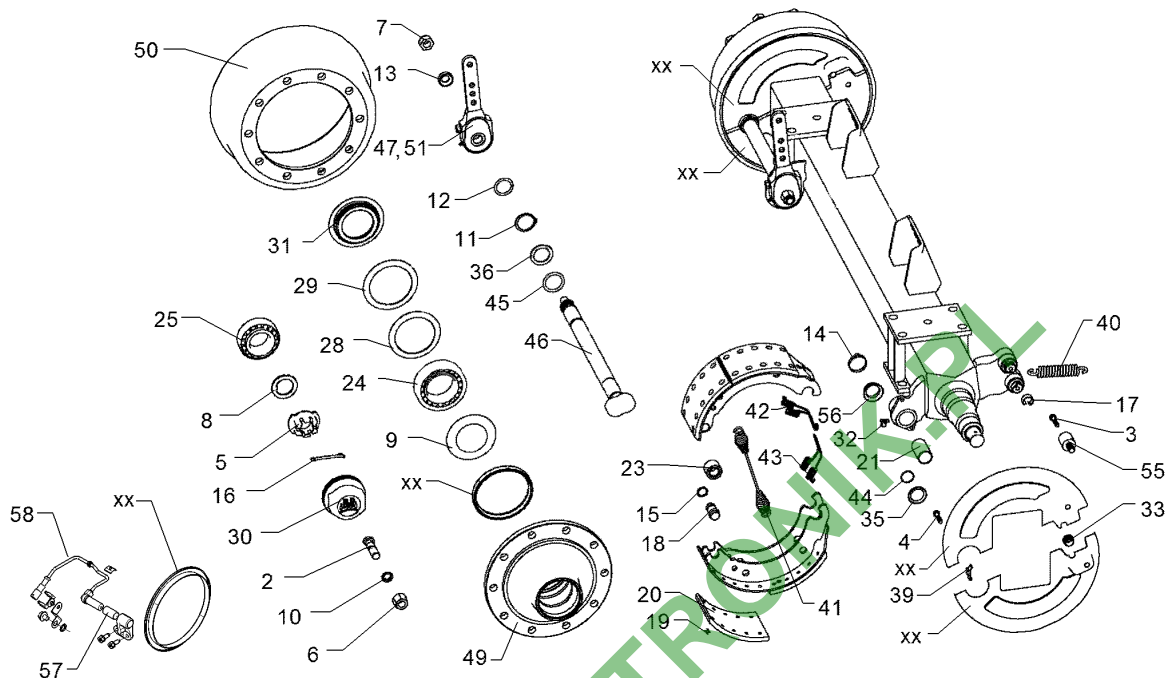
06.17

| Pos. | Art.Nr. | Stck. | Artikeltext / Description | Abmessung |
|------|----------|-------|---------------------------|---|
| 1 | 301 3840 | 6 | Sechskantschraube | Hexagon bolt M16x1,5x50ls23xb22-10.9 Zn |
| 2 | F35 0297 | 1 | Zugöse | Traction loop D40x240 6xD17 DIN11026 |
| 3 | 32310085 | 6 | Schutzkappe | Cap SW24-M16 Kst sw |
| 4 | 30510097 | 6 | Spannscheibe | Tightening washer 16/24 A2 |
| 5 | 305 6141 | 6 | Scheibe | Washer 17/30x3 DIN/ISO-7089 |
| 6 | 30110521 | 6 | Sechskantschraube | Hexagon bolt M16x1,5x60-10.9 DIN960 Zn5 |
| 7 | 30110536 | 6 | Zylinderschraube | Allen screw M16x1,5x55-10.9 DIN912 Zn5 |



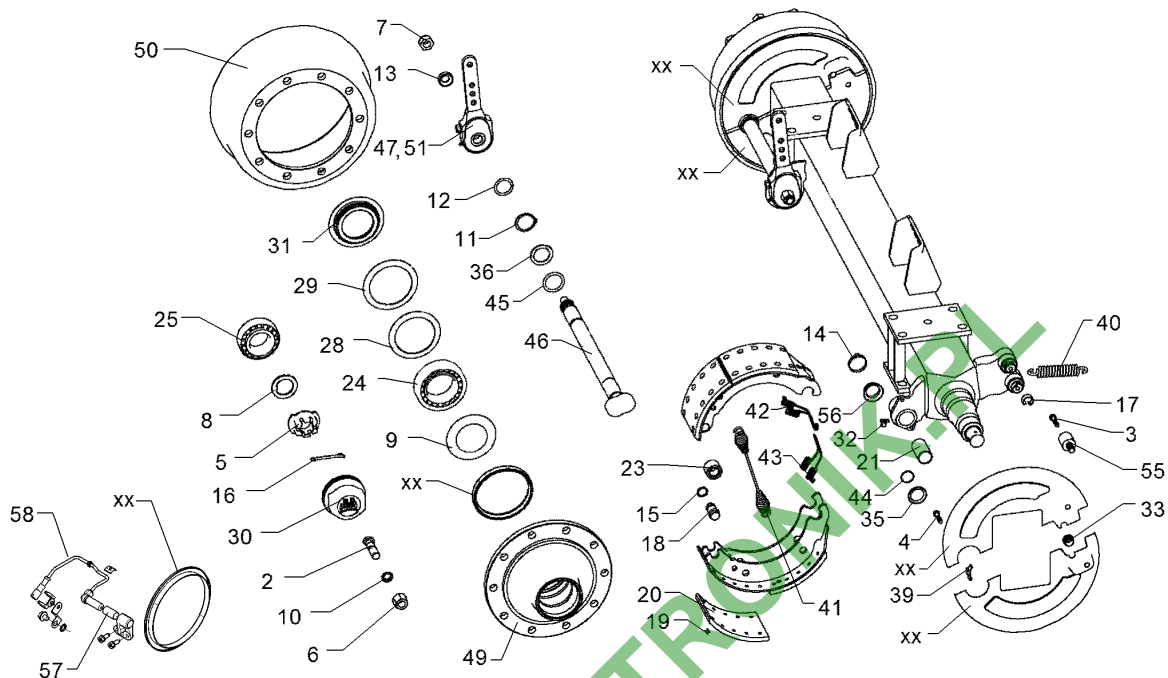
06.17

| Pos. | Art.Nr. | Stck. | Artikeltext / Description | Abmessung | |
|------|----------|-------|---------------------------|------------------------|------------------------|
| 1 | 301 6750 | 8 | Sechskantschraube | Hexagon bolt | M8x20-8.8 Zn DIN933 |
| 2 | 30110035 | 20 | Radbolzen | Wheel bolt | M22x1,5x80 |
| 3 | 30110036 | 4 | Sechskantschraube | Hexagon bolt | M10x15 |
| 4 | 30110037 | 4 | Sechskantschraube | Hexagon bolt | M10x12 |
| 5 | 303 0260 | 2 | Kronenmutter | Castle nut | M52x2 |
| 6 | 303 6428 | 20 | Flachbundmutter | Flat collar nut | M22x1,5 Zn |
| 7 | 30310007 | 2 | Sechskantmutter | Hexagon nut | M22x1,5x15 |
| 8 | 305 6451 | 2 | Scheibe mit Nase | Washer | D76/53x6 |
| 9 | 305 6455 | 2 | Abdeckblech | Cover | - |
| 10 | 305 9934 | 20 | Federring mit Kugel | Spring ring | C22,5 Zn |
| 11 | 30510034 | 4 | Sicherungsring | Retaining ring | A 42x2,5 DIN471 |
| 12 | 30510035 | 2 | Sprengring | Circlip | SW40 |
| 13 | 30510036 | 2 | Scheibe | Washer | - |
| 14 | 30510037 | 2 | Sicherungsklammer | Safety clamp | - |
| 15 | 30510038 | 8 | Ring | Ring | - |
| 16 | 31110003 | 2 | Splint | Peg | 8x63 DIN94-St |
| 17 | 31110004 | 8 | Hakensprengring | Hook spring ring | - |
| 18 | 31310008 | 4 | Bolzen | Pin | - |
| 19 | 315 6000 | 80 | Niet | Rivet | B8x15 DIN7338 |
| 20 | 31510009 | 8 | Bremsbelag | Brake lining | - |
| 21 | 31710014 | 2 | Buchse | Bush | D46/42x73 |
| 23 | 31710016 | 4 | Rolle | Roller | - |
| 24 | 319 9207 | 2 | Kegelrollenlager | Tapered roller bearing | 33118 |



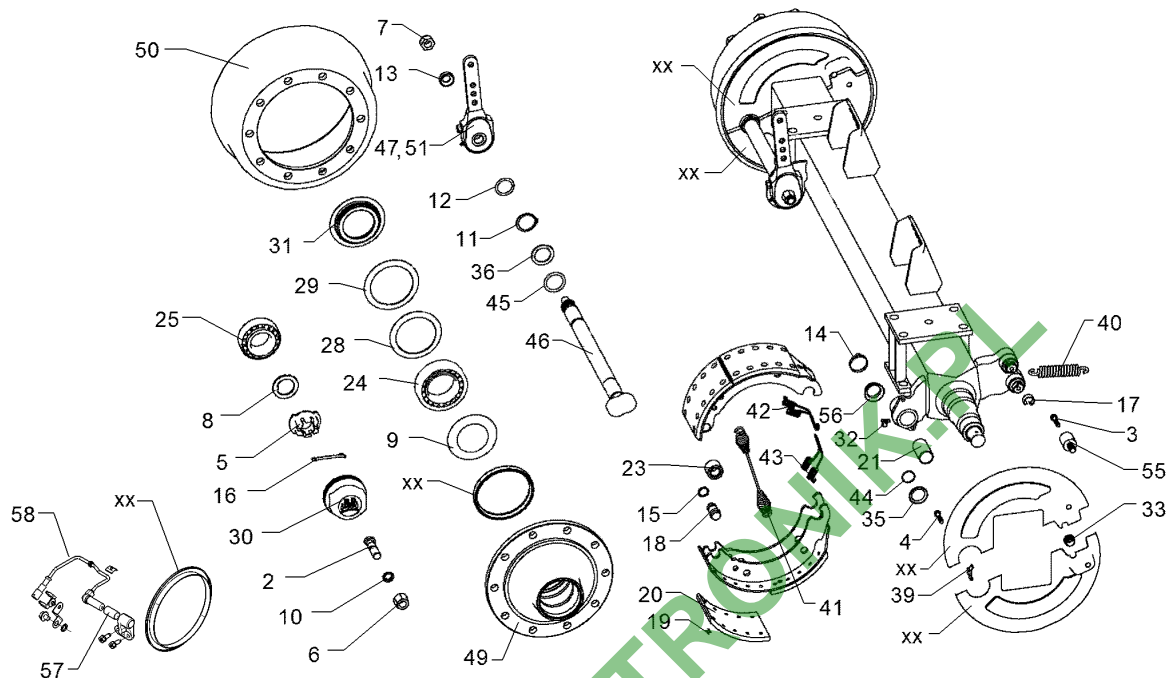
06.17

| Pos. | Art.Nr. | Stck. | Artikeltext / Description | Abmessung | |
|------|----------|-------|---------------------------|-------------------------|-----------------|
| 25 | 319 9210 | 2 | Kegelrollenlager | Tapered roller bearing | 33213. |
| 28 | 323 0217 | 2 | Dichtscheibe Kunststoff | Seal washer | D160/120x3 |
| 29 | 323 0218 | 8 | Dichtscheibe Kunststoff | Seal washer | D155/120x3 |
| 30 | 323 1326 | 2 | Schraubkappe | Cap | M125x2 BPW |
| 31 | 323 1682 | 2 | Stoßring | Thrust washer | D160/120x1,5 |
| 32 | 323 6348 | 2 | Schmiernippel | Grease nipple | AM10x1 DIN71412 |
| 33 | 323 8086 | 2 | Stopfen | Plug | GPN 320 GL22 |
| 34 | 32310024 | 2 | Kegelschmiernippel | Grease nipple | AM8x1 DIN71412 |
| 35 | 32310025 | 2 | Ring | Ring | - |
| 36 | 32310026 | 2 | Dichtring | Seal ring | - |
| 37 | 32310027 | 2 | Dichtring | Seal ring | - |
| 38 | 32310028 | 4 | Dichtring | Seal ring | - |
| 39 | 32310029 | 6 | Stopfen | Plug | - |
| 40 | 32910008 | 2 | Zugfeder | Spring | D=4 Lo=148 |
| 41 | 32910009 | 2 | Zugfeder | Spring | - |
| 42 | 32910010 | 2 | Zugfeder | Spring | - |
| 43 | 32910011 | 2 | Zugfeder | Spring | - |
| 44 | 375 1211 | 2 | O-Ring | O-ring | 40x2,5 |
| 45 | 37510059 | 2 | O-Ring | O-ring | 37x2,6 |
| 46 | 45010114 | 2 | Bremsnockenwelle | Brake camshaft | L=240 A=121,5 |
| 47 | 45010116 | 1 | Gestängesteller | Linkage control element | re |
| 48 | 45010029 | 4 | Bremsbacke | Brake-shoe with lining | kpl. |
| 49 | 45010030 | 2 | Radnabe | Wheel hub | - |



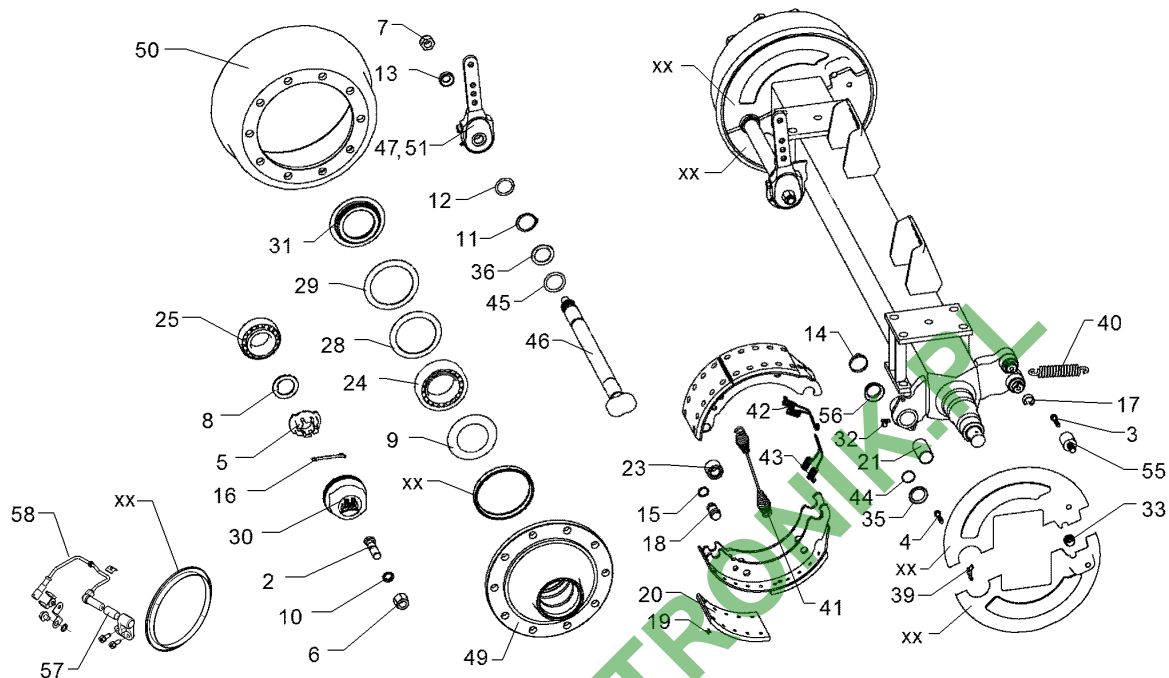
06.17

| Pos. | Art.Nr. | Stck. | Artikeltext / Description | Abmessung | |
|------|----------|-------|---------------------------|-------------------------|-------------|
| 50 | 45010115 | 2 | Bremstrommel | Brake drum | - |
| 51 | 45010117 | 1 | Gestängesteller | Linkage control element | li |
| 55 | 45010036 | 4 | Gewindebolzen | Threaded pin | - |
| 56 | 32310021 | 2 | Schutzkappe | Cap | GPN980 0201 |
| 57 | F40 0541 | 1 | Buchse | Bush | - |
| 58 | F40 0542 | 1 | Sensor | Sensor | - |



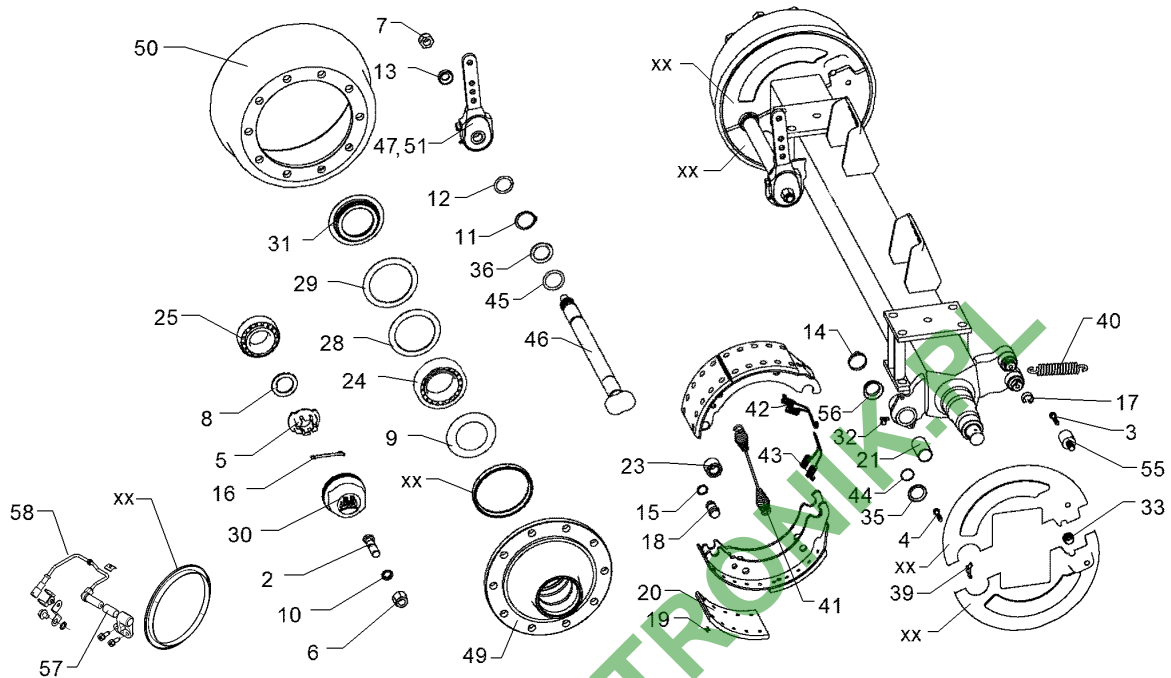
06.17

| Pos. | Art.Nr. | Stck. | Artikeltext / Description | Abmessung | |
|------|----------|-------|---------------------------|------------------------|------------------------|
| 1 | 301 6750 | 8 | Sechskantschraube | Hexagon bolt | M8x20-8.8 Zn DIN933 |
| 2 | 30110035 | 20 | Radbolzen | Wheel bolt | M22x1,5x80 |
| 3 | 30110036 | 4 | Sechskantschraube | Hexagon bolt | M10x15 |
| 4 | 30110037 | 4 | Sechskantschraube | Hexagon bolt | M10x12 |
| 5 | 303 0260 | 2 | Kronenmutter | Castle nut | M52x2 |
| 6 | 303 6428 | 20 | Flachbundmutter | Flat collar nut | M22x1,5 Zn |
| 7 | 30310007 | 2 | Sechskantmutter | Hexagon nut | M22x1,5x15 |
| 8 | 305 6451 | 2 | Scheibe mit Nase | Washer | D76/53x6 |
| 9 | 305 6455 | 2 | Abdeckblech | Cover | - |
| 10 | 305 9934 | 20 | Federring mit Kugel | Spring ring | C22,5 Zn |
| 11 | 30510034 | 4 | Sicherungsring | Retaining ring | A 42x2,5 DIN471 |
| 12 | 30510035 | 2 | Sprengring | Circlip | SW40 |
| 13 | 30510036 | 2 | Scheibe | Washer | - |
| 14 | 30510037 | 2 | Sicherungsklammer | Safety clamp | - |
| 15 | 30510038 | 8 | Ring | Ring | - |
| 16 | 31110003 | 2 | Splint | Peg | 8x63 DIN94-St |
| 17 | 31110004 | 8 | Hakensprengring | Hook spring ring | - |
| 18 | 31310008 | 4 | Bolzen | Pin | - |
| 19 | 315 6000 | 80 | Niet | Rivet | B8x15 DIN7338 |
| 20 | 31510009 | 8 | Bremsbelag | Brake lining | - |
| 21 | 31710014 | 2 | Buchse | Bush | D46/42x73 |
| 23 | 31710016 | 4 | Rolle | Roller | - |
| 24 | 319 9207 | 2 | Kegelrollenlager | Tapered roller bearing | 33118 |



06.17

| Pos. | Art.Nr. | Stck. | Artikeltext / Description | Abmessung | |
|------|----------|-------|---------------------------|-------------------------|-----------------|
| 25 | 319 9210 | 2 | Kegelrollenlager | Tapered roller bearing | 33213. |
| 28 | 323 0217 | 2 | Dichtscheibe Kunststoff | Seal washer | D160/120x3 |
| 29 | 323 0218 | 8 | Dichtscheibe Kunststoff | Seal washer | D155/120x3 |
| 30 | 323 1326 | 2 | Schraubkappe | Cap | M125x2 BPW |
| 31 | 323 1682 | 2 | Stoßring | Thrust washer | D160/120x1,5 |
| 32 | 323 6348 | 2 | Schmiernippel | Grease nipple | AM10x1 DIN71412 |
| 33 | 323 8086 | 2 | Stopfen | Plug | GPN 320 GL22 |
| 34 | 32310024 | 2 | Kegelschmiernippel | Grease nipple | AM8x1 DIN71412 |
| 35 | 32310025 | 2 | Ring | Ring | - |
| 36 | 32310026 | 2 | Dichtring | Seal ring | - |
| 37 | 32310027 | 2 | Dichtring | Seal ring | - |
| 38 | 32310028 | 4 | Dichtring | Seal ring | - |
| 39 | 32310029 | 6 | Stopfen | Plug | - |
| 40 | 32910008 | 2 | Zugfeder | Spring | D=4 Lo=148 |
| 41 | 32910009 | 2 | Zugfeder | Spring | - |
| 42 | 32910010 | 2 | Zugfeder | Spring | - |
| 43 | 32910011 | 2 | Zugfeder | Spring | - |
| 44 | 375 1211 | 2 | O-Ring | O-ring | 40x2,5 |
| 45 | 37510059 | 2 | O-Ring | O-ring | 37x2,6 |
| 46 | 45010114 | 2 | Bremsnockenwelle | Brake camshaft | L=240 A=121,5 |
| 47 | 45010116 | 1 | Gestängesteller | Linkage control element | re |
| 48 | 45010029 | 4 | Bremsbacke | Brake-shoe with linging | kpl. |
| 49 | 45010030 | 2 | Radnabe | Wheel hub | - |

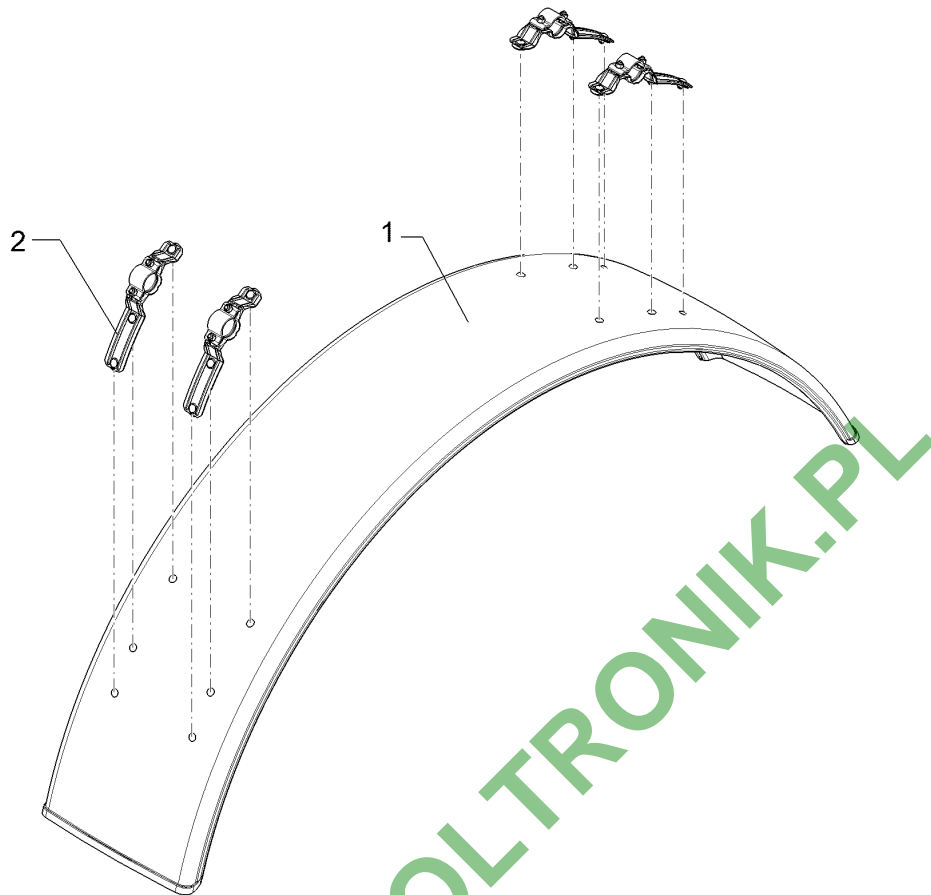


06.17

| Pos. | Art.Nr. | Stck. | Artikeltext / Description | Abmessung | |
|------|----------|-------|---------------------------|-------------------------|-------------|
| 50 | 45010115 | 2 | Bremstrommel | Brake drum | - |
| 51 | 45010117 | 1 | Gestängesteller | Linkage control element | li |
| 55 | 45010036 | 4 | Gewindebolzen | Threaded pin | - |
| 56 | 32310021 | 2 | Schutzkappe | Cap | GPN980 0201 |
| 57 | F40 0541 | 1 | Buchse | Bush | - |
| 58 | F40 0542 | 1 | Sensor | Sensor | - |

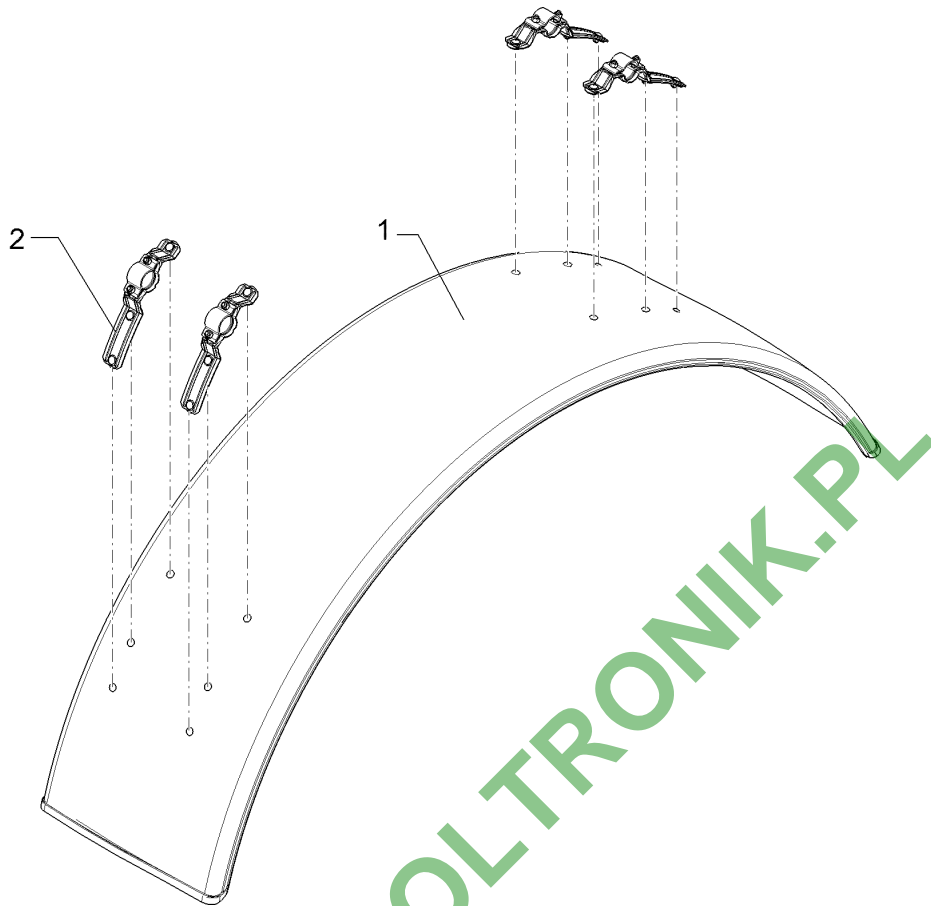
| | |
|----------------------------|----------|
| Kotflügel/Mud guard | 4 |
|----------------------------|----------|

| | |
|------------------------------------|-----------------|
| EuroTrain 2600 TC / 3500 TC | F02 1359 |
|------------------------------------|-----------------|



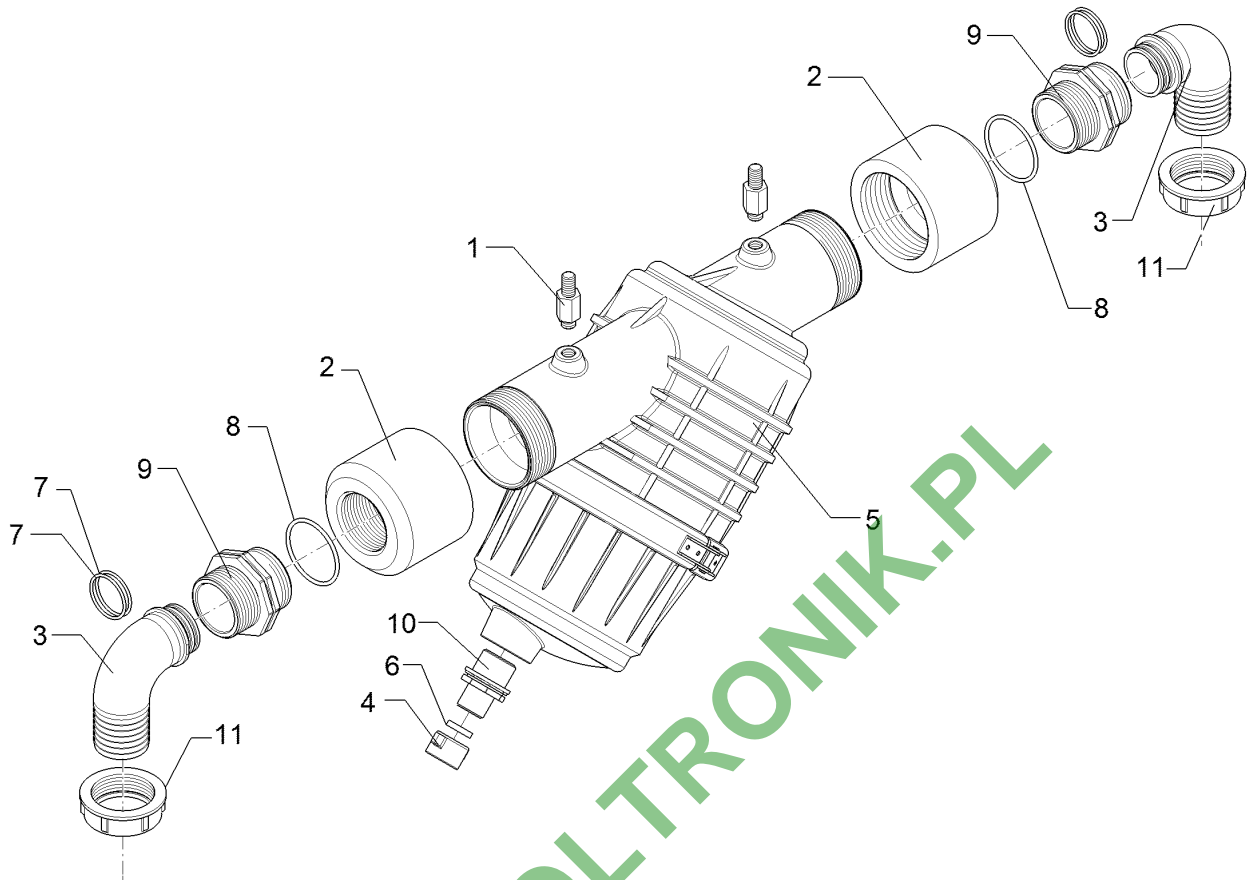
06.17

| Pos. | Art.Nr. | Stck. | Artikeltext / Description | Abmessung | |
|------|----------|-------|---------------------------|----------------------|---------------|
| 1 | F01 2860 | 1 | Kotflügel | Mud guard | 510 mm ET3500 |
| 2 | F35 0300 | 4 | Kotflügelhalter | Holder for mud guard | - |



06.17

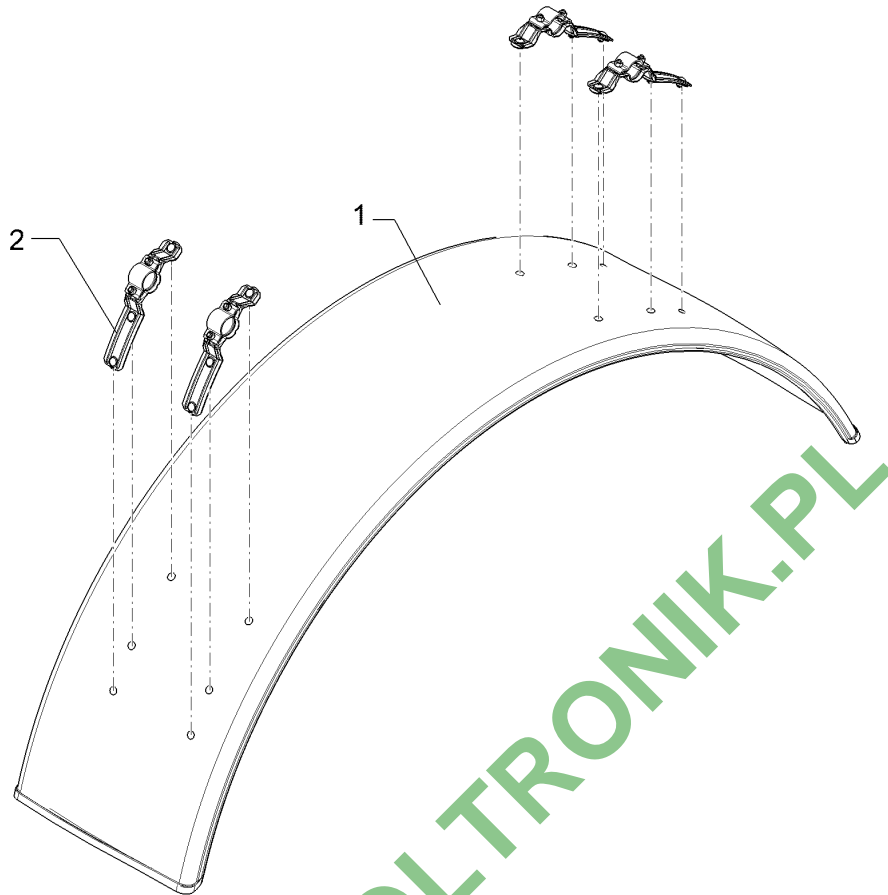
| Pos. | Art.Nr. | Stck. | Artikeltext / Description | Abmessung | |
|------|----------|-------|---------------------------|----------------------|--------------|
| 1 | F01 4354 | 1 | Kotflügel | Mud guard | 610 mm LI ET |
| 2 | F35 0300 | 4 | Kotflügelhalter | Holder for mud guard | - |



06.17

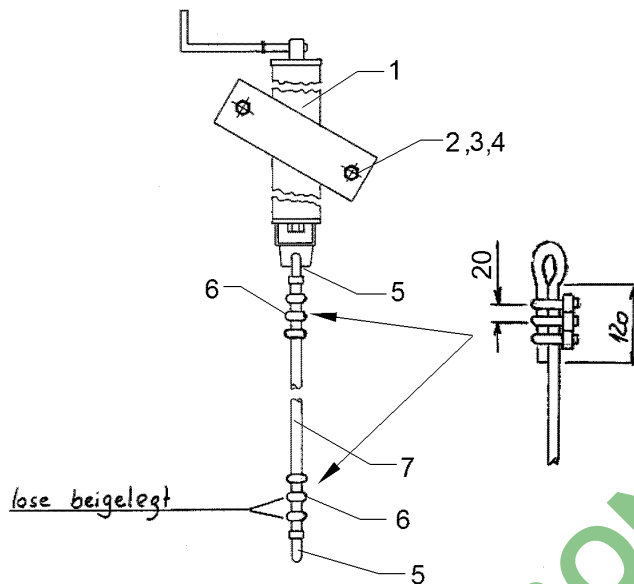
| Pos. | Art.Nr. | Stck. | Artikeltext / Description | Abmessung | |
|------|----------|-------|---------------------------|------------------|---|
| 1 | F01 2404 | 2 | Adapter | Adapter | M12x20-G1/4ZLx10 |
| 2 | F01 2448 | 2 | Reduzierstück | Reducing fitting | 55 G3ZLI-G2ZLI |
| 3 | F61 0860 | 2 | Schlauchanschluss | Hose connection | G2ZLÜ 90GRD D50 |
| 4 | F61 0941 | 1 | Verschlussmutter | Cap nut | G3/4 ZL SYN |
| 5 | F61 2622 | 1 | Saugfilter | Suction filter | G3 ZL/32 mesh/8 bar/800 l/min 24,5 a. |
| 6 | F61 3919 | 1 | Dichtung | Seal | 39,3x2,6 |
| 7 | 37810275 | 4 | O-Ring | O-ring | 58,7x3,5 |
| 8 | 37810285 | 2 | O-Ring | O-ring | G2ZLA G2ZLA |
| 9 | 37810478 | 2 | Adapter | Adapter | G1ZLA G3/4ZLA |
| 10 | 37810494 | 1 | Adapter | Adapter | G2 ZL |
| 11 | 37810582 | 2 | Überwurfmutter | Union nut | |

| | |
|-----------------------------|----------|
| Kotflügel/Mud guard | 4 |
| EuroTrain 2600 TC / 3500 TC | F02 4802 |



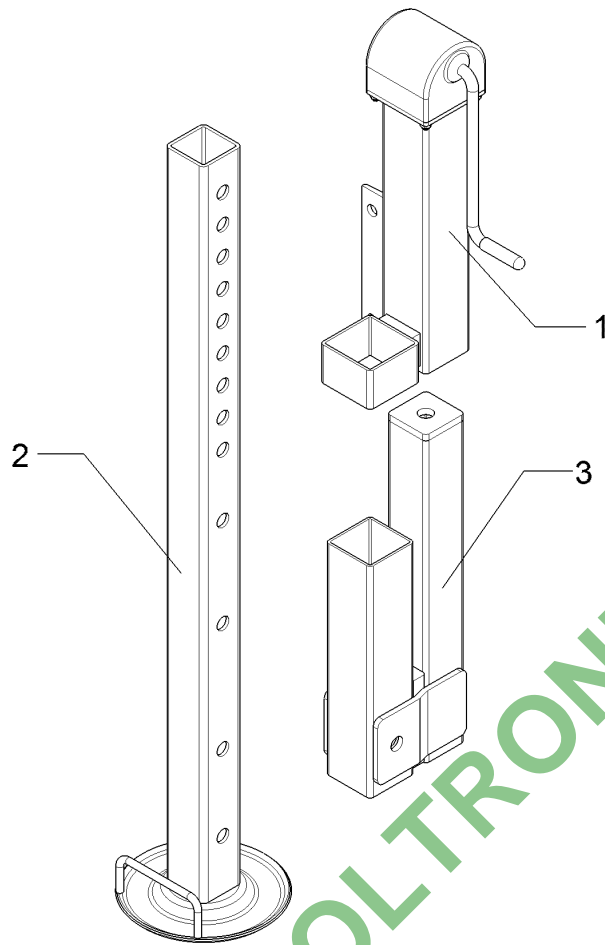
06.17

| Pos. | Art.Nr. | Stck. | Artikeltext / Description | Abmessung | |
|------|----------|-------|---------------------------|----------------------|--------------|
| 1 | F01 4817 | 1 | Kotflügel | Mud guard | 610 mm RE ET |
| 2 | F35 0300 | 4 | Kotflügelhalter | Holder for mud guard | - |



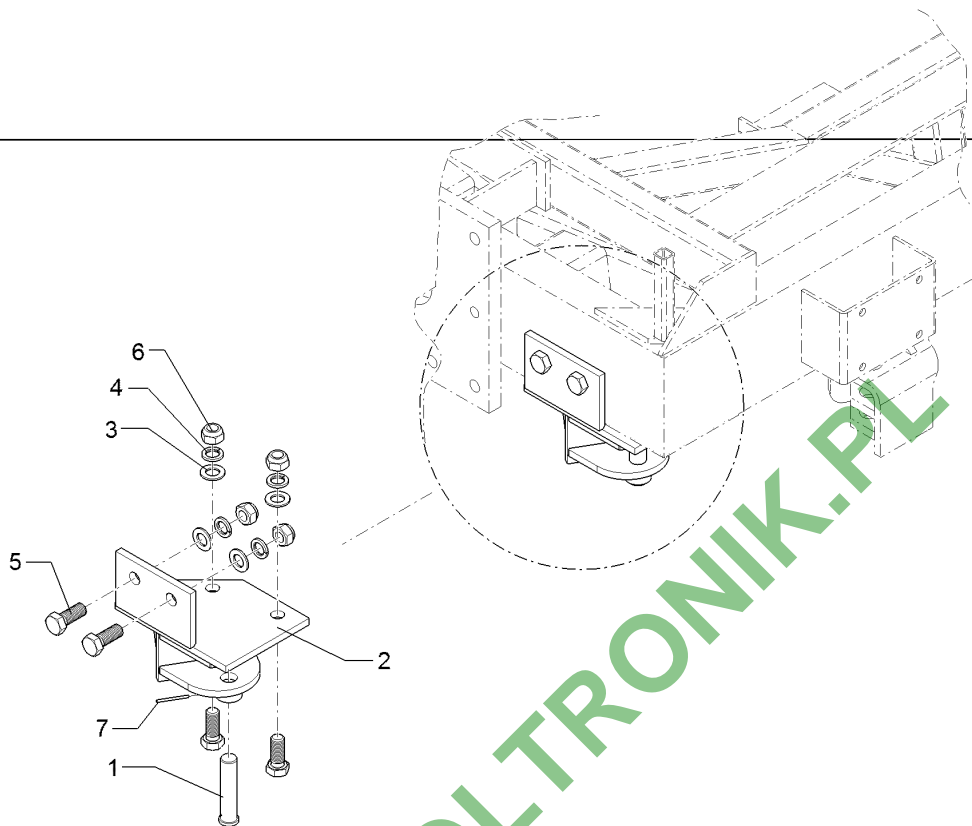
06.17

| Pos. | Art.Nr. | Stck. | Artikeltext / Description | Abmessung | |
|------|----------|-------|---------------------------|-----------------|-------------------------|
| 1 | F02 0606 | 1 | Feststellbremse | Parking brake | KPL |
| 2 | 301 7538 | 2 | Sechskantschraube | Hexagon bolt | M12x40 A2 DIN933 |
| 3 | 305 8709 | 4 | Scheibe | Washer | 13 DIN125-A A2 |
| 4 | 30310030 | 2 | Sicherungsmutter | Selflocking nut | NM12 DIN985-A4 |
| 5 | F25 0426 | 2 | Seilkausche | Thimble | B DIN6899-Zn 8 mm |
| 6 | F25 0424 | 6 | Drahtseilklemme | Wire rope clamp | Rw 20x32 |
| 7 | F01 2144 | 1 | Drahtseil | Wire rope | S8 DIN1142-Zn 6x1550 |



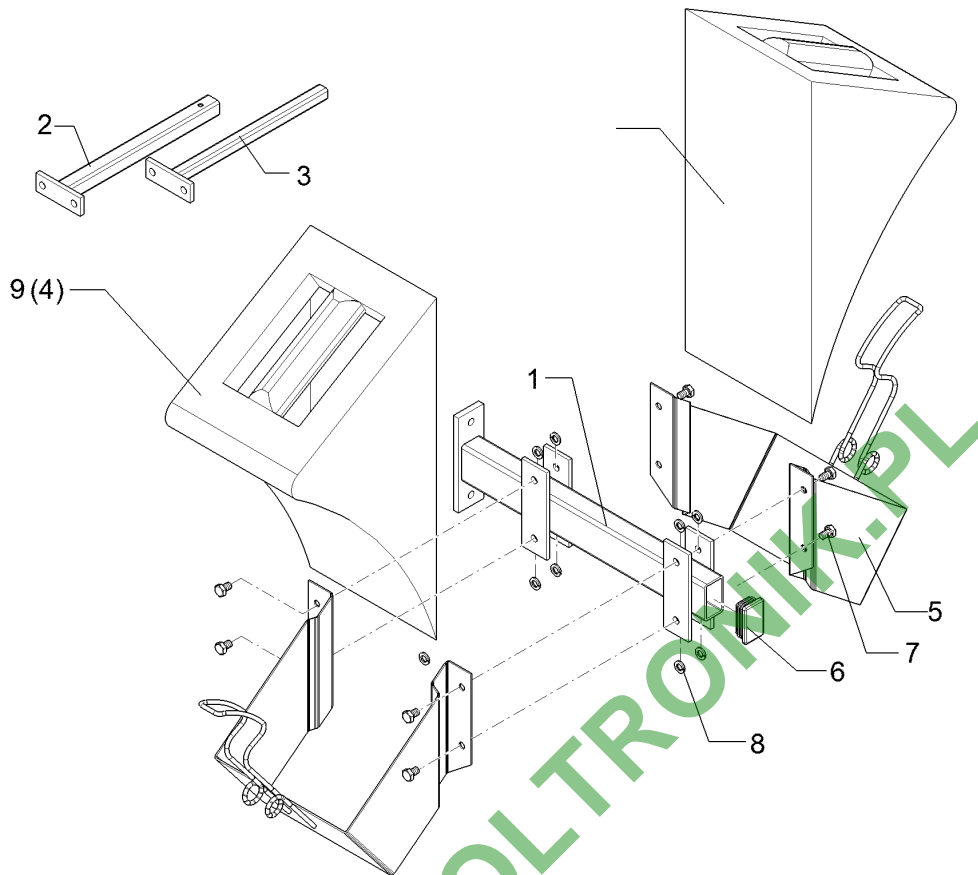
06.17

| Pos. | Art.Nr. | Stck. | Artikeltext / Description | Abmessung |
|------|----------|-------|---------------------------|---------------------|
| 1 | F02 0609 | 1 | Stützenoberteil | Support, upper part |
| 2 | F02 1464 | 1 | Abstellstütze | Stand |
| 3 | F02 1465 | 1 | Stützenunterteil | Support, lower part |
| | | | | - |
| | | | | D220x550 |
| | | | | - |



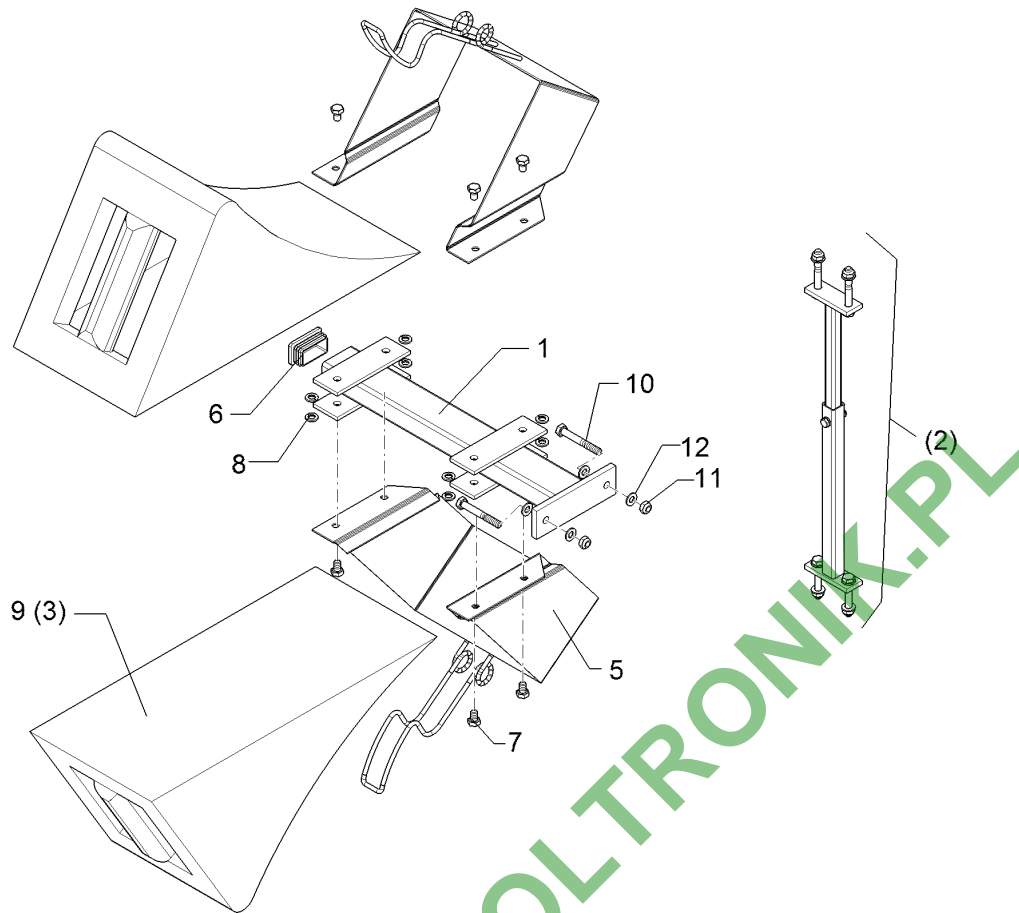
06.17

| Pos. | Art.Nr. | Stck. | Artikeltext / Description | Abmessung |
|------|----------|-------|---------------------------|-----------------|
| 1 | F01 1280 | 1 | Bolzen | Pin |
| 2 | F03 0239 | 1 | Gelenk | Link |
| 3 | 305 6017 | 5 | Scheibe | Washer |
| 4 | 305 9908 | 5 | Federring | Spring ring |
| 5 | 301 4231 | 5 | Sechskantschraube | Hexagon bolt |
| 6 | 303 0936 | 5 | Sicherungsmutter | Selflocking nut |
| 7 | 30910039 | 1 | Spannhülse | Expansion bush |



06.17

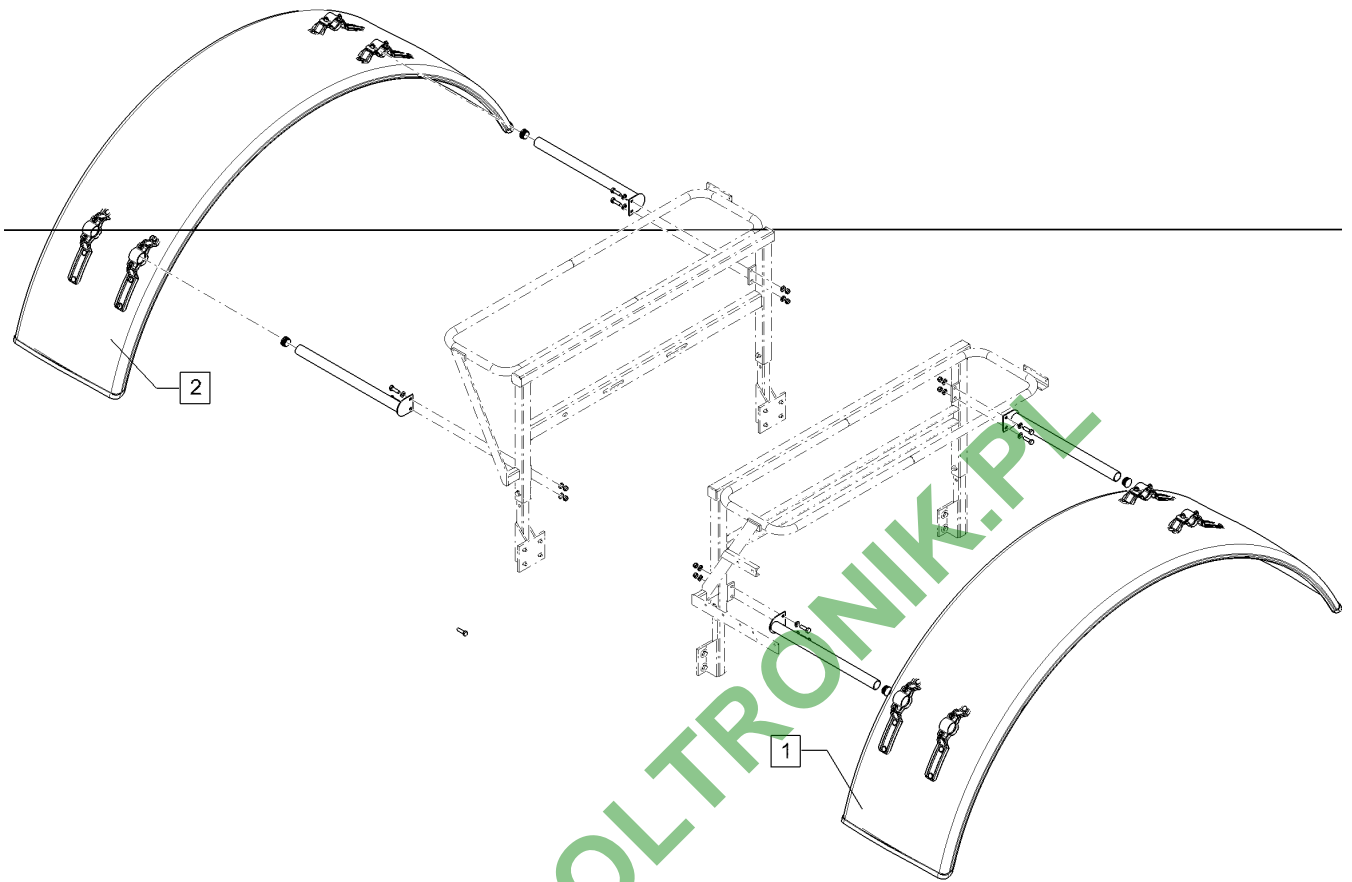
| Pos. | Art.Nr. | Stck. | Artikeltext / Description | Abmessung | |
|------|----------|-------|---------------------------|--------------------|-------------------------|
| 1 | F02 1382 | 1 | Halter Unterlegkeil | Holder wheel chock | 130x40x393 |
| 2 | F02 1604 | 1 | Abstrebung | Support | 20x20x1,5x246 d6 |
| 3 | F02 1605 | 1 | Abstrebung | Support | 15x15x1,5x246 |
| 4 | F35 0304 | 2 | Unterlegkeil | Wheel chock | NG 53 bk 470/200/230 |
| 5 | F35 0797 | 2 | Halter | Holder | - |
| 6 | F55 0189 | 1 | Stopfen | Plug | 50x30x3 KST. bk |
| 7 | 30110307 | 8 | Sechskantschraube | Hexagon bolt | M8x12-A2 DIN933 |
| 8 | 30510102 | 8 | Federring | Spring ring | 8 Form B-V2A DIN127 |
| 9 | 321 9942 | 2 | Unterlegkeil | Wheel chock | NG53 DIN76051 |



06.17

| Pos. | Art.Nr. | Stck. | Artikeltext / Description | Abmessung |
|------|----------|-------|---------------------------|--------------------|
| 1 | F02 1382 | 1 | Halter Unterlegkeil | Holder wheel chock |
| 2 | F06 1833 | 1 | Abstrebung | Support |
| 4 | F35 0304 | 2 | Unterlegkeil | Wheel chock |
| 5 | F35 0797 | 2 | Halter | Holder |
| 6 | F55 0189 | 1 | Stopfen | Plug |
| 7 | 30110307 | 8 | Sechskantschraube | Hexagon bolt |
| 8 | 30510102 | 8 | Federring | Spring ring |
| 9 | 321 9942 | 2 | Unterlegkeil | Wheel chock |
| 10 | 30110139 | 2 | Sechskantschraube | Hexagon bolt |
| 11 | 30310043 | 2 | Sicherungsmutter | Selflocking nut |
| 12 | 305 8695 | 4 | Scheibe | Washer |

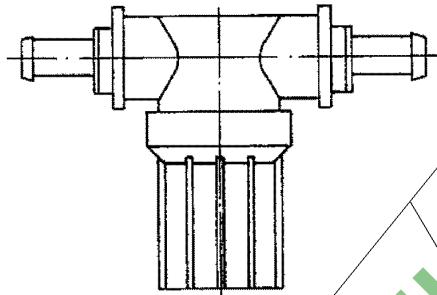
| | |
|-----------------------------|----------|
| Kotflügel/Mud guard | 4 |
| EuroTrain 2600 TC / 3500 TC | F06 0744 |



06.17

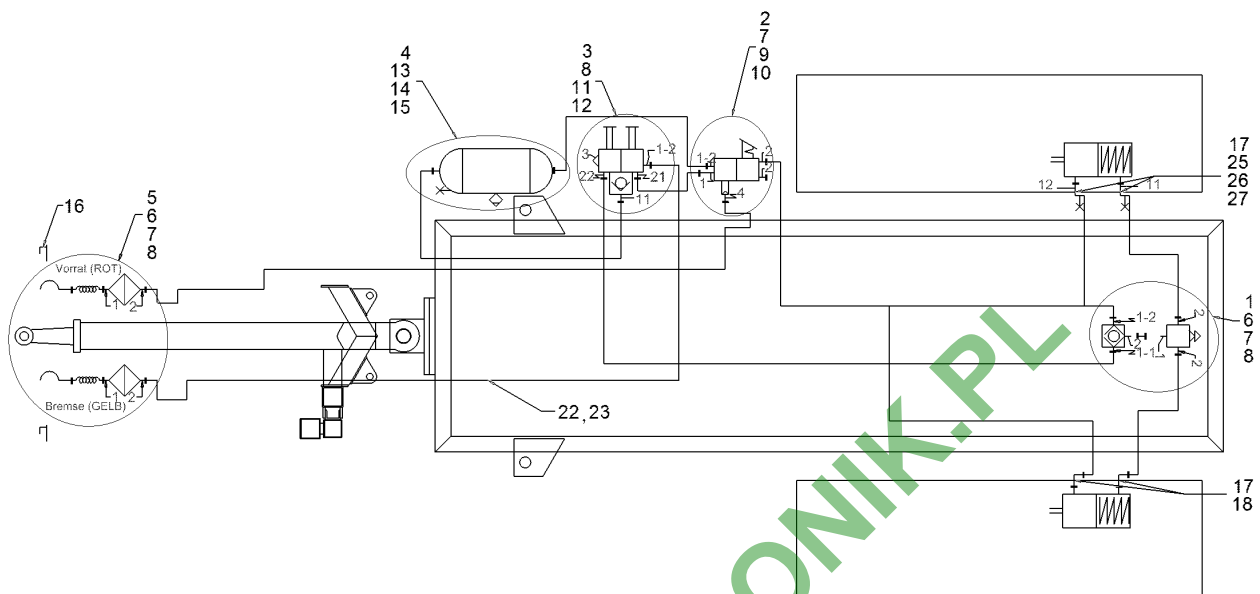
| Pos. | Art.Nr. | Stck. | Artikeltext / Description | Abmessung |
|------|----------|-------|---------------------------|--------------|
| 1 | F02 1836 | 1 | Kotflügel | 610 mm LI ET |
| 2 | F02 4802 | 1 | Kotflügel | 610 mm RE ET |

| | |
|-----------------------------|----------|
| Druckfilter/Press filter | 4 |
| EuroTrain 2600 TC / 3500 TC | F06 1359 |



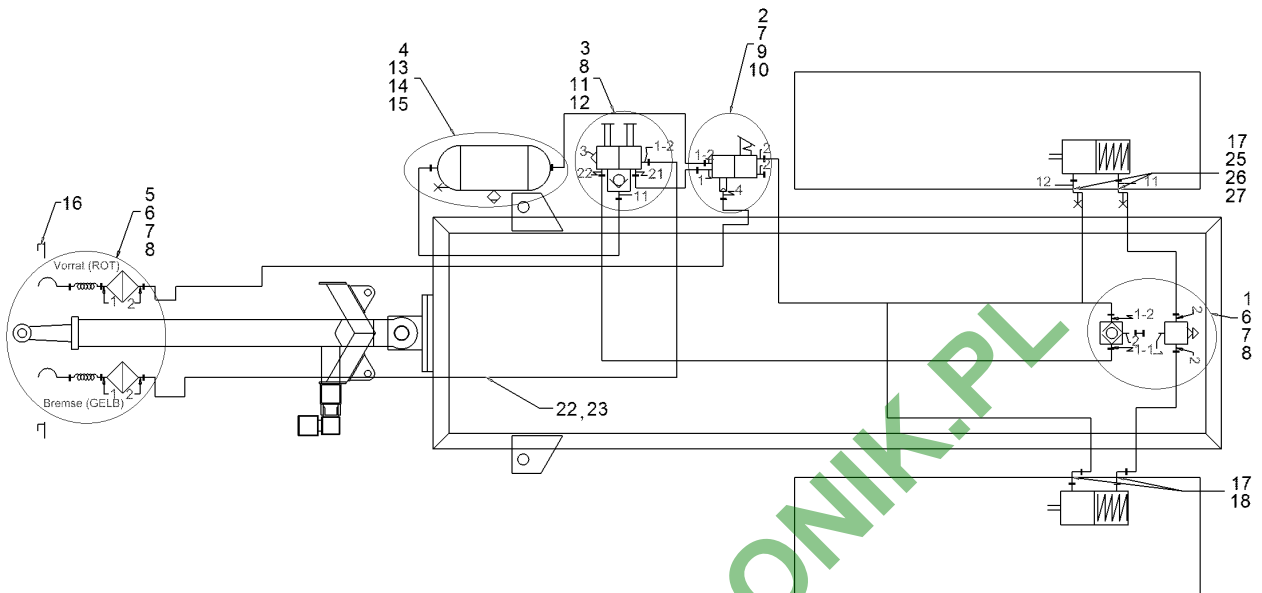
06.17

| Pos. | Art.Nr. | Stck. | Artikeltext / Description | Abmessung |
|------|----------|-------|-----------------------------|-----------|
| 1 | F02 1683 | 1 | Druckfilter Press filter | G1/2ZL 80 |



06.17

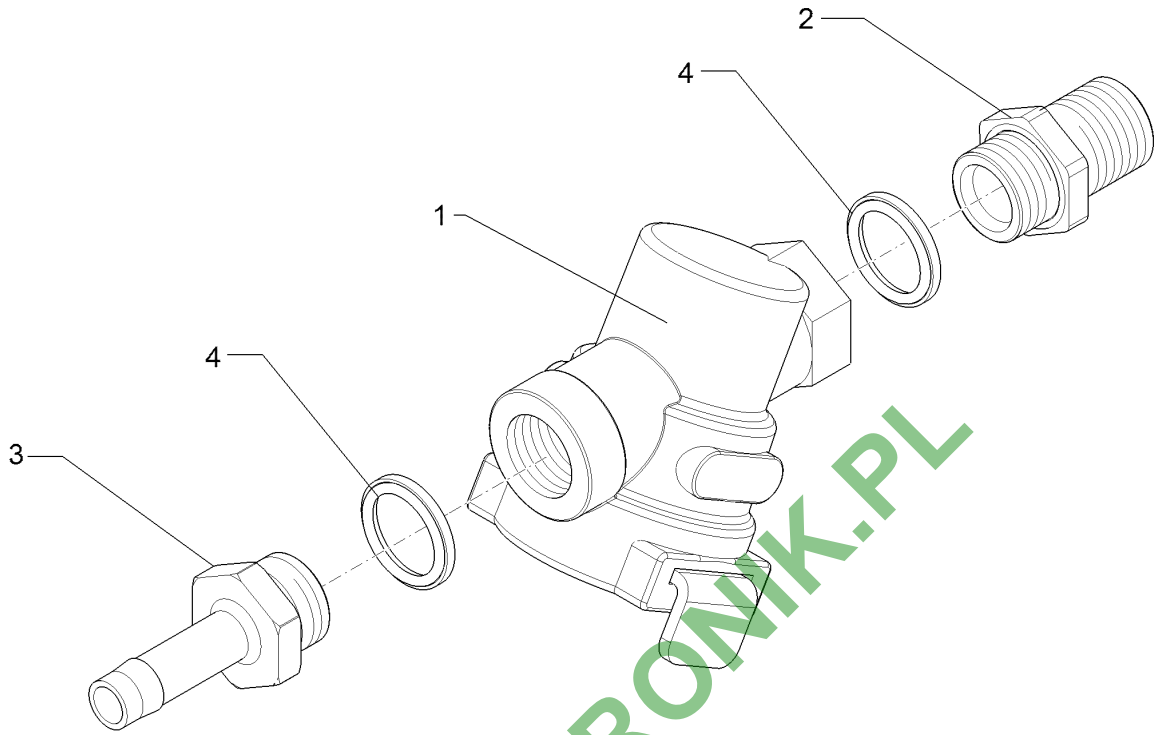
| Pos. | Art.Nr. | Stck. | Artikeltext / Description | Abmessung | |
|------|----------|-------|-----------------------------|--------------------------|--------------------------|
| 1 | F13 0127 | 1 | Schnelllöseventil | Valve | ET5000/6000 |
| 2 | F13 0128 | 1 | Anhängerbremseventil | Trailer brake valve | ET5000/6000 |
| 3 | F13 0177 | 1 | Kombi-Löseventil | Combi release valve | KPL ET5000/6000 |
| 4 | F13 0130 | 1 | Druckluftbehälter | Compressed-air container | ET5000/6000 ST. ACHSE |
| 5 | F13 0131 | 1 | Bremskupplung | Brake hose coupling | ET5000/6000 |
| 6 | 301 6751 | 8 | Sechskantschraube | Hexagon bolt | M8x20-A2 DIN933 |
| 7 | 30510102 | 10 | Federring | Spring ring | 8 Form B-V2A DIN127 |
| 8 | 305 8695 | 9 | Scheibe | Washer | A8,4 DIN125 A2 |
| 9 | 301 7523 | 2 | Sechskantschraube | Hexagon bolt | M8x30-A2 DIN933 |
| 10 | 305 6125 | 2 | Scheibe | Washer | D8,4/24x2 A2 DIN9021 |
| 11 | 301 7504 | 1 | Sechskantschraube | Hexagon bolt | M8x35-A2 DIN933-A |
| 12 | 30310043 | 1 | Sicherungsmutter | Selflocking nut | NM8 DIN985-A4 |
| 13 | 301 7535 | 4 | Sechskantschraube | Hexagon bolt | M10x25-A2 DIN933 |
| 14 | 305 8704 | 4 | Scheibe | Washer | A10,5 DIN125-St A2 |
| 15 | 30310029 | 4 | Sicherungsmutter | Selflocking nut | NM10 A4 DIN985 |
| 16 | F35 0240 | 2 | Leerkupplung | Hose coupling | - |
| 17 | F62 0206 | 4 | Winkelschlauchverschraubung | M16x1,5 | M16x1,5 |
| 22 | F35 0276 | 1 | Bremsschlauch | Brake hose | 11i.x3,5x25000 |
| 23 | F41 0353 | 24 | Isoflexrohr | Isoflex tube | FXPY-F40EN D31,2 mm |
| 25 | F62 0290 | 2 | Dichtring | Seal ring | M16x1,5 |
| 26 | F35 0287 | 2 | Winkelverschraubung | Elbow union | - |



06.17

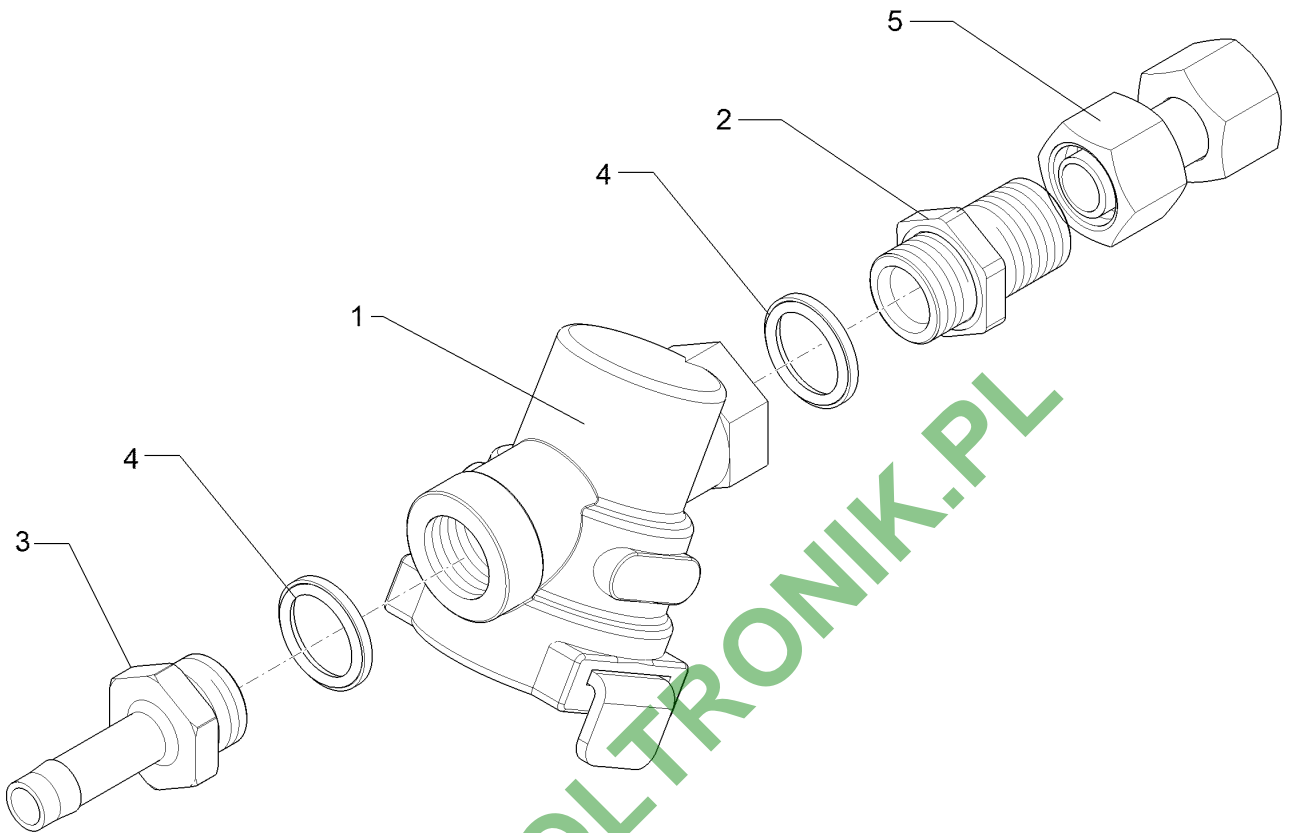
| Pos. | Art.Nr. | Stck. | Artikeltext / Description | | Abmessung |
|------|----------|-------|---------------------------|-------|-----------|
| 27 | F62 0204 | 2 | Schlauchverschraubung | Union | - |

| | |
|-----------------------------|----------|
| Baugruppe/Assembly group | 4 |
| EuroTrain 2600 TC / 3500 TC | F06 1489 |



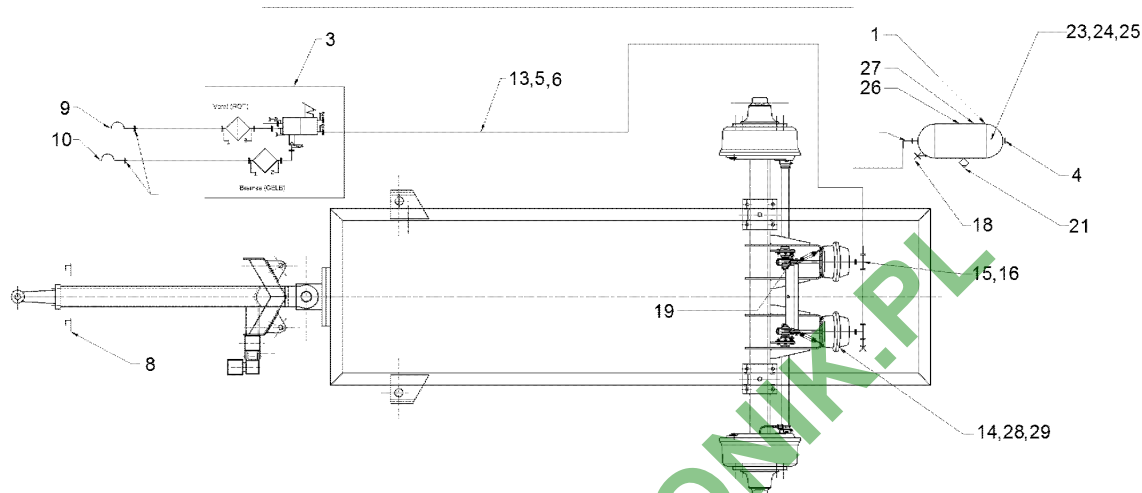
06.17

| Pos. | Art.Nr. | Stck. | Artikeltext / Description | Abmessung |
|------|----------|-------|---------------------------|------------|
| 1 | F35 0241 | 1 | Leitungsfiler | - |
| 2 | F35 0251 | 1 | Doppelstutzen | - |
| 3 | F62 0203 | 1 | Schlauchstutzen | M22x1,5 Zn |
| 4 | F62 0289 | 2 | Dichtring | M22x1,5 |



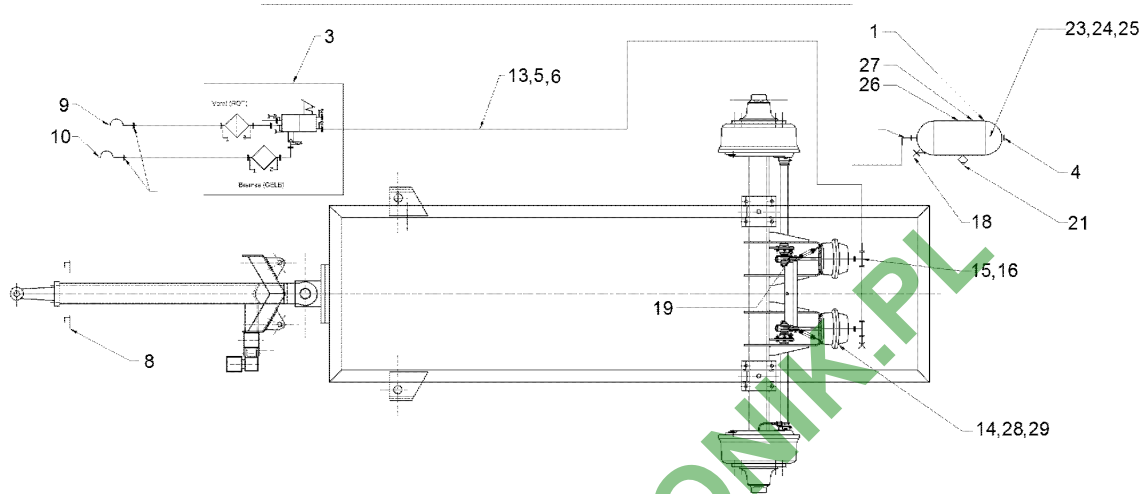
06.17

| Pos. | Art.Nr. | Stck. | Artikeltext / Description | | Abmessung |
|------|----------|-------|---------------------------|-------------|------------|
| 1 | F35 0241 | 1 | Leitungsfiter | Filter | - |
| 2 | F35 0289 | 1 | Einschraubverschraubung | Nipple | - |
| 3 | F62 0203 | 1 | Schlauchstutzen | Hose nipple | M22x1,5 Zn |
| 4 | F62 0289 | 1 | Dichtring | Seal ring | M22x1,5 |
| 5 | F02 1592 | 1 | Ermetorohr | Ermeto tube | - |



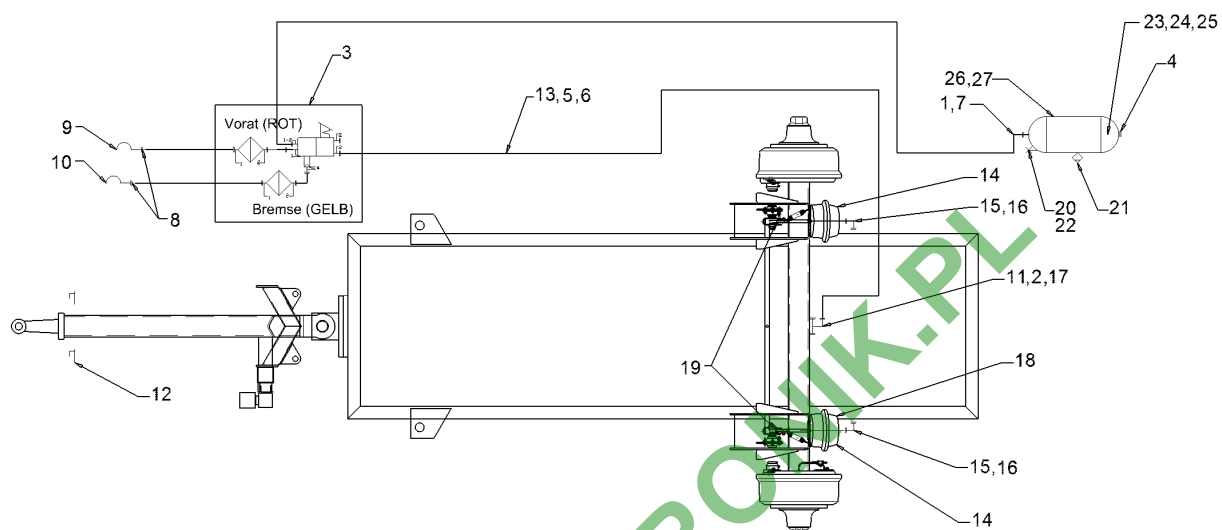
06.17

| Pos. | Art.Nr. | Stck. | Artikeltext / Description | Abmessung | |
|------|----------|-------|-----------------------------|----------------------------|------------------|
| 1 | F62 0289 | 2 | Dichtring | Seal ring | M22x1,5 |
| 3 | F13 0180 | 1 | Anhängerbremsventil | Trailer brake valve | ET2600/3500 |
| 4 | F35 0505 | 1 | Hohlschraube | Banjo bolt | - |
| 5 | F61 2401 | 10 | Schlauchschelle | Hose clip | D12-D22x9 |
| 6 | F55 0250 | 10 | Schutzkappe | Cap | bl 9mm |
| 7 | F62 0205 | 1 | Winkelschlauchverschraubung | M16x1,5 | M22x1,5 |
| 8 | F62 0203 | 2 | Schlauchstutzen | Hose nipple | M22x1,5 Zn |
| 9 | F35 0258 | 1 | Kupplungskopf | Hose coupling of air brake | rd |
| 10 | F35 0257 | 1 | Kupplungskopf | Hose coupling of air brake | ye |
| 12 | F35 0240 | 2 | Leerkupplung | Hose coupling | - |
| 13 | F35 0277 | 1 | Bremsschlauch | Brake hose | 11i.x3,5x16200 |
| 14 | F35 0259 | 2 | Membranbremszylinder | Membrane brake cylinder | 30 ZL |
| 15 | F35 0496 | 1 | T-Einschraubverschraubung | T-Nipple | DM11/M16x1,5 |
| 16 | F62 0290 | 2 | Dichtring | Seal ring | M16x1,5 |
| 18 | F35 0247 | 2 | Prüfanschluss | Test coupling | - |
| 19 | F35 0246 | 2 | Langlochgelenk | Link | - |
| 21 | F35 0273 | 1 | Entwässerungsventil | Dewatering valve | - |
| 23 | 30110098 | 4 | Sechskantschraube | Hexagon bolt | M8x150-A2 DIN931 |
| 24 | 30310043 | 4 | Sicherungsmutter | Selflocking nut | NM8 DIN985-A4 |
| 25 | 305 8695 | 8 | Scheibe | Washer | A8,4 DIN125 A2 |
| 26 | F35 0243 | 1 | Druckluftbehälter | Compressed-air container | 20 l |
| 27 | F35 0244 | 2 | Spannband | Strap | - |
| 28 | F35 0757 | 2 | Einschraubstutzen | Screwed socket | - |



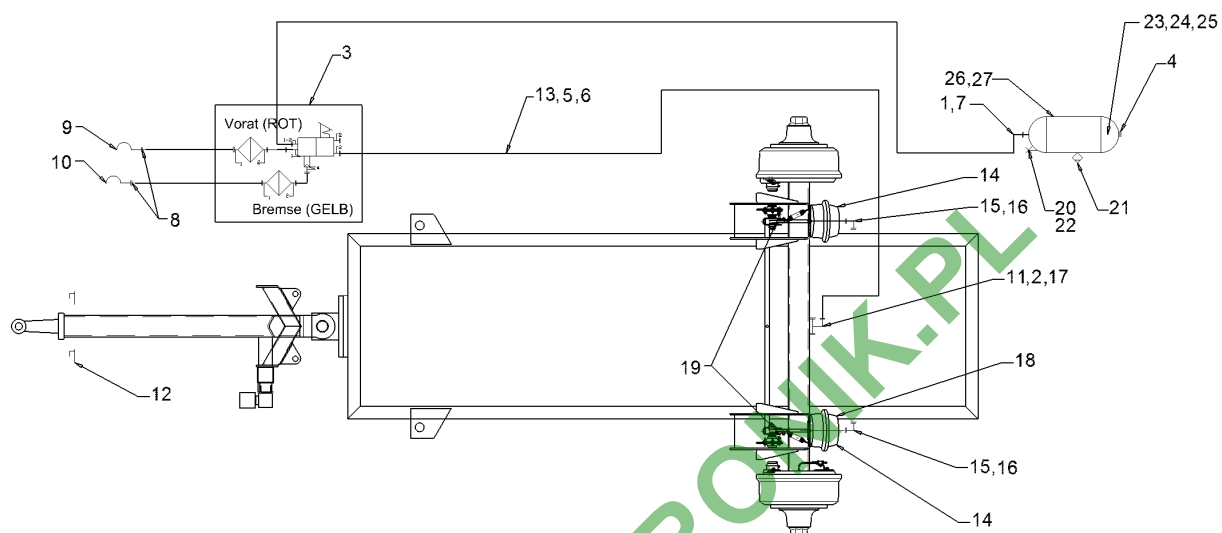
06.17

| Pos. | Art.Nr. | Stck. | Artikeltext / Description | Abmessung |
|------|----------|-------|-----------------------------|---|
| 29 | F62 0206 | 1 | Winkelschlauchverschraubung | M16x1,5 |
| 30 | F41 0352 | 5 | Isoflexrohr | Isoflex tube M16x1,5 FXPY-F32EN D24,3 mm |



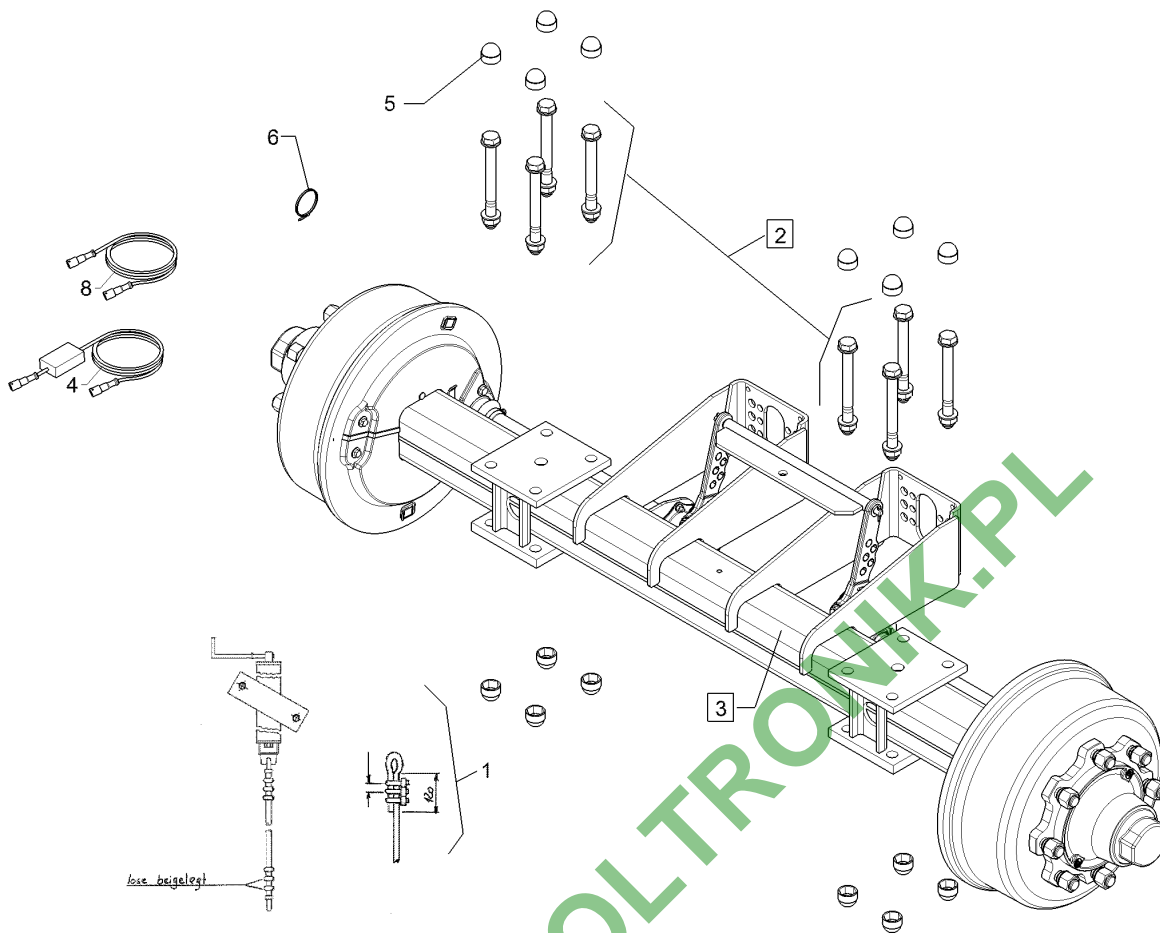
06.17

| Pos. | Art.Nr. | Stck. | Artikeltext / Description | Abmessung | |
|------|----------|-------|-----------------------------|----------------------------|----------------|
| 1 | F62 0289 | 1 | Dichtring | Seal ring | M22x1,5 |
| 2 | F60 0581 | 1 | T-Verschraubung | T-union | AD10 |
| 3 | F13 0180 | 1 | Anhängerbremsventil | Trailer brake valve | ET2600/3500 |
| 4 | F35 0505 | 1 | Hohlschraube | Banjo bolt | - |
| 5 | F61 2401 | 10 | Schlauchschelle | Hose clip | D12-D22x9 |
| 7 | F62 0205 | 1 | Winkelschlauchverschraubung | M16x1,5 | M22x1,5 |
| 8 | F62 0203 | 2 | Schlauchstutzen | Hose nipple | M22x1,5 Zn |
| 9 | F35 0258 | 1 | Kupplungskopf | Hose coupling of air brake | rd |
| 10 | F35 0257 | 1 | Kupplungskopf | Hose coupling of air brake | ye |
| 11 | F35 0502 | 1 | Winkelstutzen | M12 x 1,5 | - |
| 12 | F35 0240 | 2 | Leerkupplung | Hose coupling | - |
| 13 | F35 0277 | 1 | Bremsschlauch | Brake hose | 11i.x3,5x16200 |
| 14 | F35 0259 | 2 | Membranbremszylinder | Membrane brake cylinder | 30 ZL |
| 15 | F62 0206 | 2 | Winkelschlauchverschraubung | M16x1,5 | M16x1,5 |
| 16 | F62 0290 | 2 | Dichtring | Seal ring | M16x1,5 |
| 17 | F62 0195 | 3 | Schlauchstutzen | Hose nipple | M18x1,5 |
| 18 | F35 0757 | 1 | Einschraubstutzen | Screwed socket | - |
| 19 | F35 0246 | 2 | Langlochgelenk | Link | - |
| 20 | F35 0247 | 1 | Prüfanschluss | Test coupling | - |
| 21 | F35 0273 | 1 | Entwässerungsventil | Dewatering valve | - |
| 22 | F35 0504 | 1 | Einschraubstutzen | Screwed socket | - |
| 24 | 30310043 | 4 | Sicherungsmutter | Selflocking nut | NM8 DIN985-A4 |
| 25 | 305 8695 | 8 | Scheibe | Washer | A8,4 DIN125 A2 |



06.17

| Pos. | Art.Nr. | Stck. | Artikeltext / Description | Abmessung | |
|------|----------|-------|---------------------------|--------------------------|---------------------|
| 26 | F35 0243 | 1 | Druckluftbehälter | Compressed-air container | 20 l |
| 27 | F35 0244 | 2 | Spannband | Strap | - |
| 30 | F41 0352 | 5 | Isoflexrohr | Isoflex tube | FXPY-F32EN D24,3 mm |
| 31 | F55 0250 | 10 | Schutzkappe | Cap | bl 9mm |



06.17

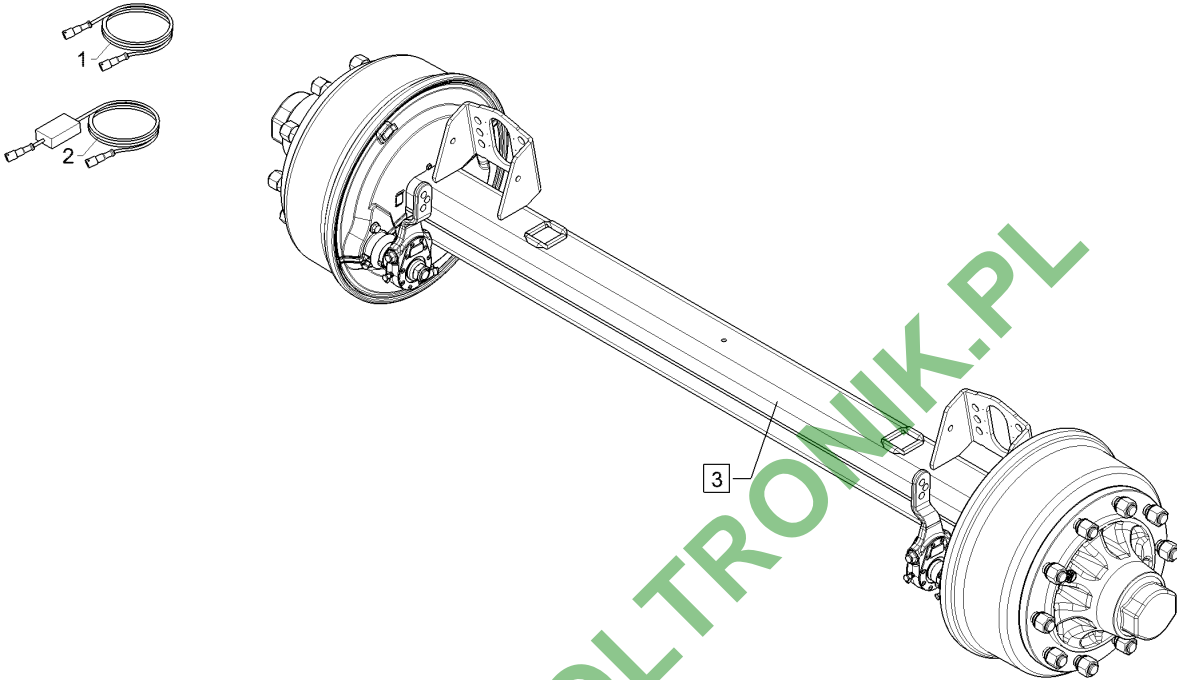
| Pos. | Art.Nr. | Stck. | Artikeltext / Description | Abmessung |
|------|----------|-------|---------------------------|-------------------------------------|
| 1 | F03 0378 | 1 | Feststellbremse | KPL ET |
| 2 | F16 0063 | 1 | Verbindungs kit | ET |
| 3 | F35 0471 | 1 | Bremsachse | GS11008 120x15x2015 8/220/275 |
| 4 | F40 0454 | 1 | Anschlusskabel | - |
| 5 | F55 0247 | 16 | Klemmkappe | M20 |
| 6 | F55 0253 | 2 | Kabelbinder | 12,7x720 |
| 7 | F40 0269 | 1 | Verlängerungskabel | 6 m |

Bremsachse/Braking axle

4

EuroTrain 2600 TC / 3500 TC

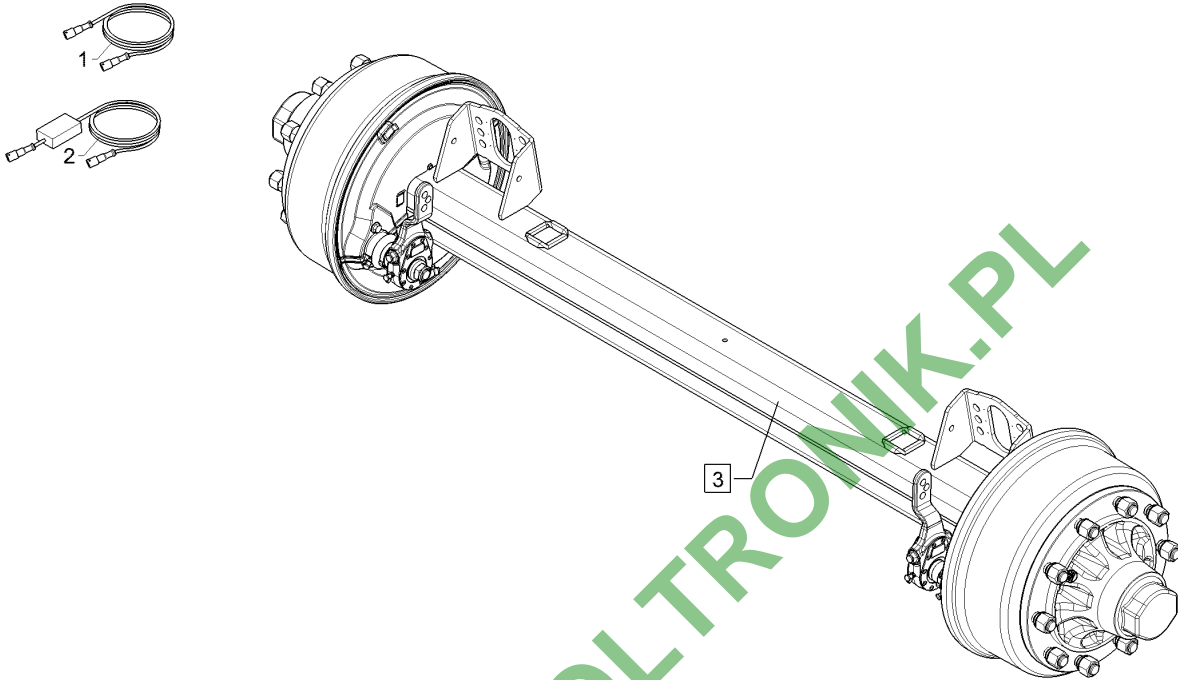
F35 0366



06.17

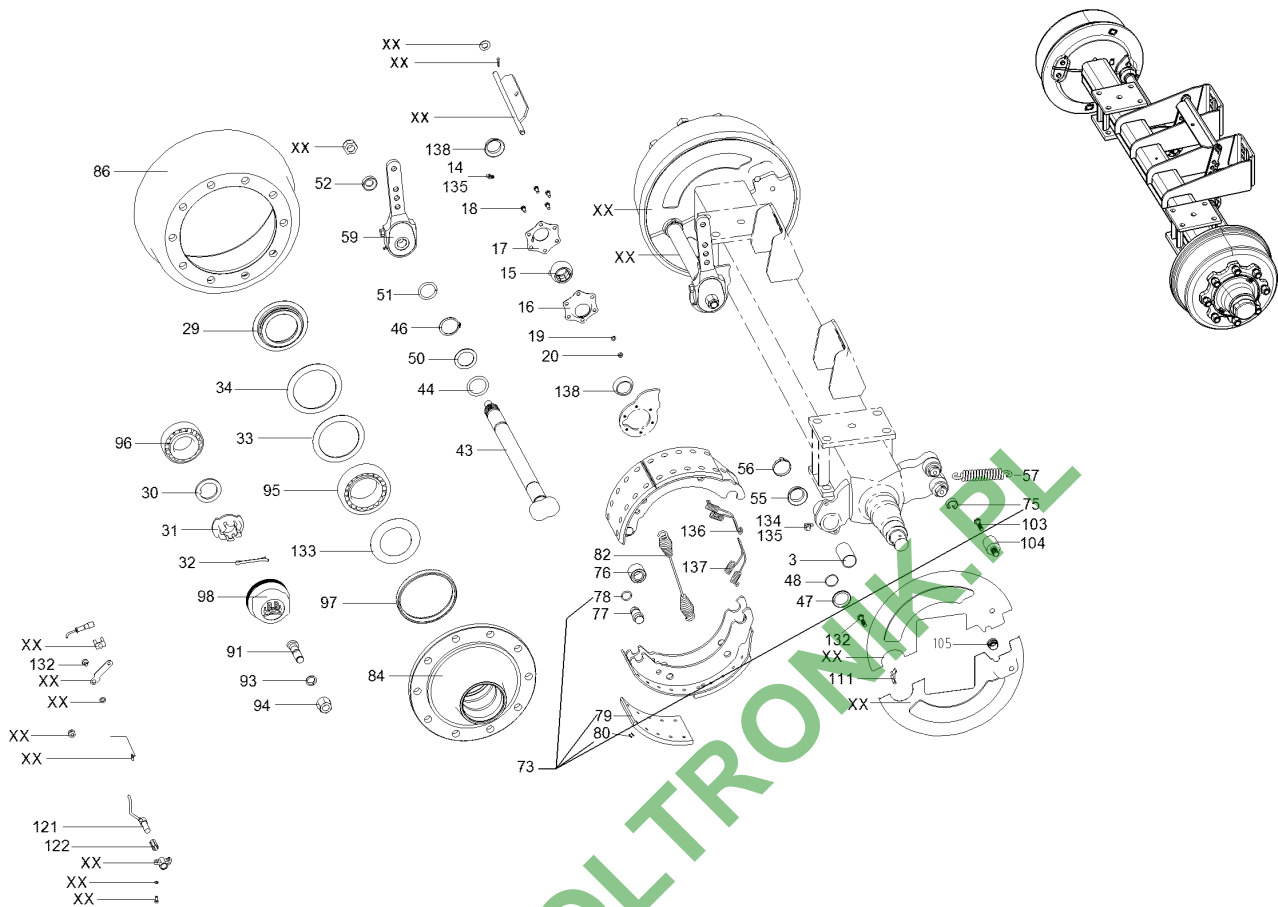
| Pos. | Art.Nr. | Stck. | Artikeltext / Description | Abmessung | |
|------|----------|-------|---------------------------|------------------|--------------------------------------|
| 1 | F40 0269 | 1 | Verlängerungskabel | Extension cable | 6 m |
| 2 | F40 0454 | 1 | Anschlusskabel | Connecting cable | - |
| 3 | 55010008 | 1 | Bremsachse | Braking axle | GS12010 120x15x2000 10/280/335 |

| | |
|-----------------------------|----------|
| Bremsachse/Braking axle | 4 |
| EuroTrain 2600 TC / 3500 TC | F35 0409 |



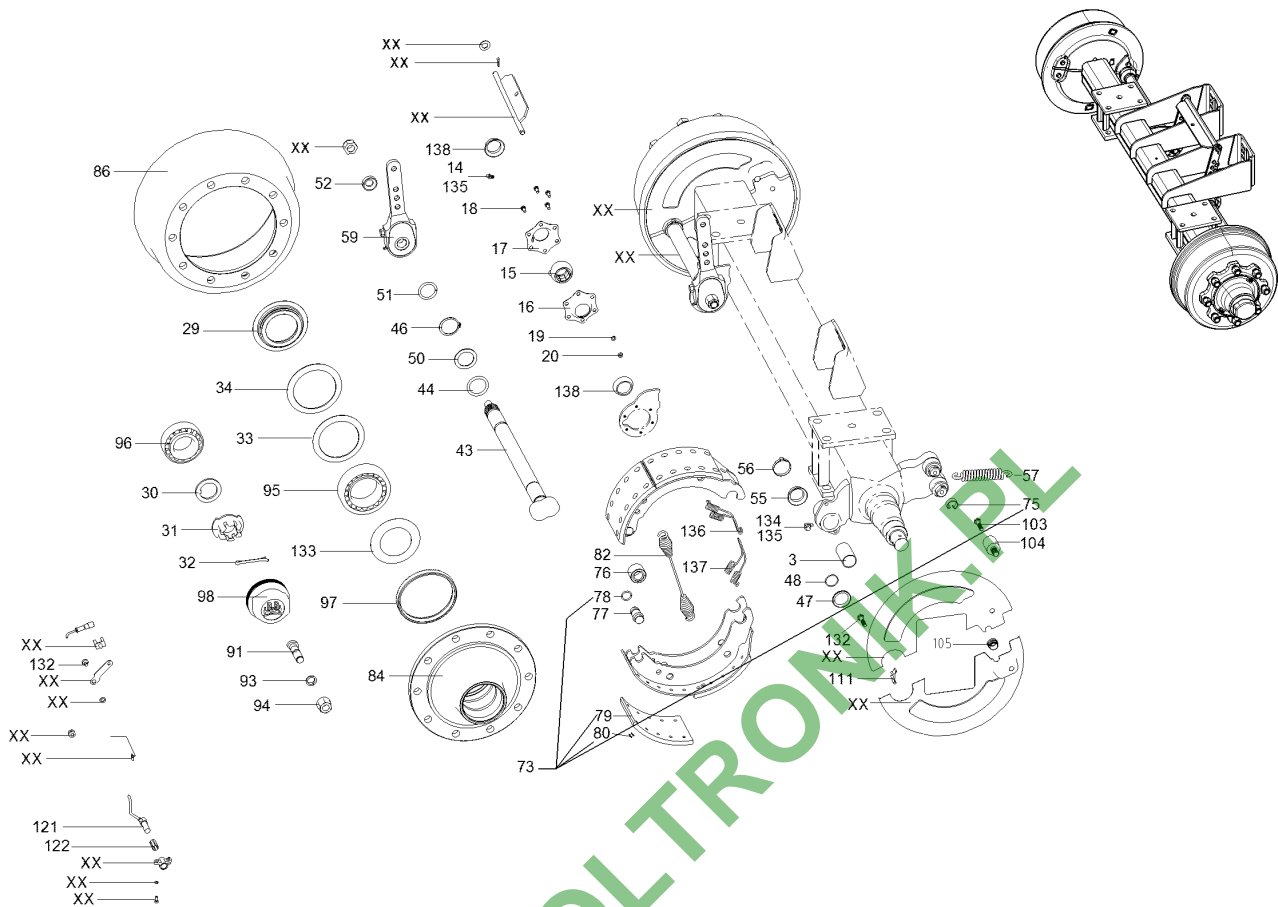
06.17

| Pos. | Art.Nr. | Stck. | Artikeltext / Description | Abmessung |
|------|----------|-------|---------------------------------------|--------------------------------------|
| 1 | F40 0269 | 1 | Verlängerungskabel Extension cable | 6 m |
| 2 | F40 0454 | 1 | Anschlusskabel Connecting cable | - |
| 3 | 55010010 | 1 | Bremsachse Braking axle | GS12010 120x15x2000 10/280/335 |



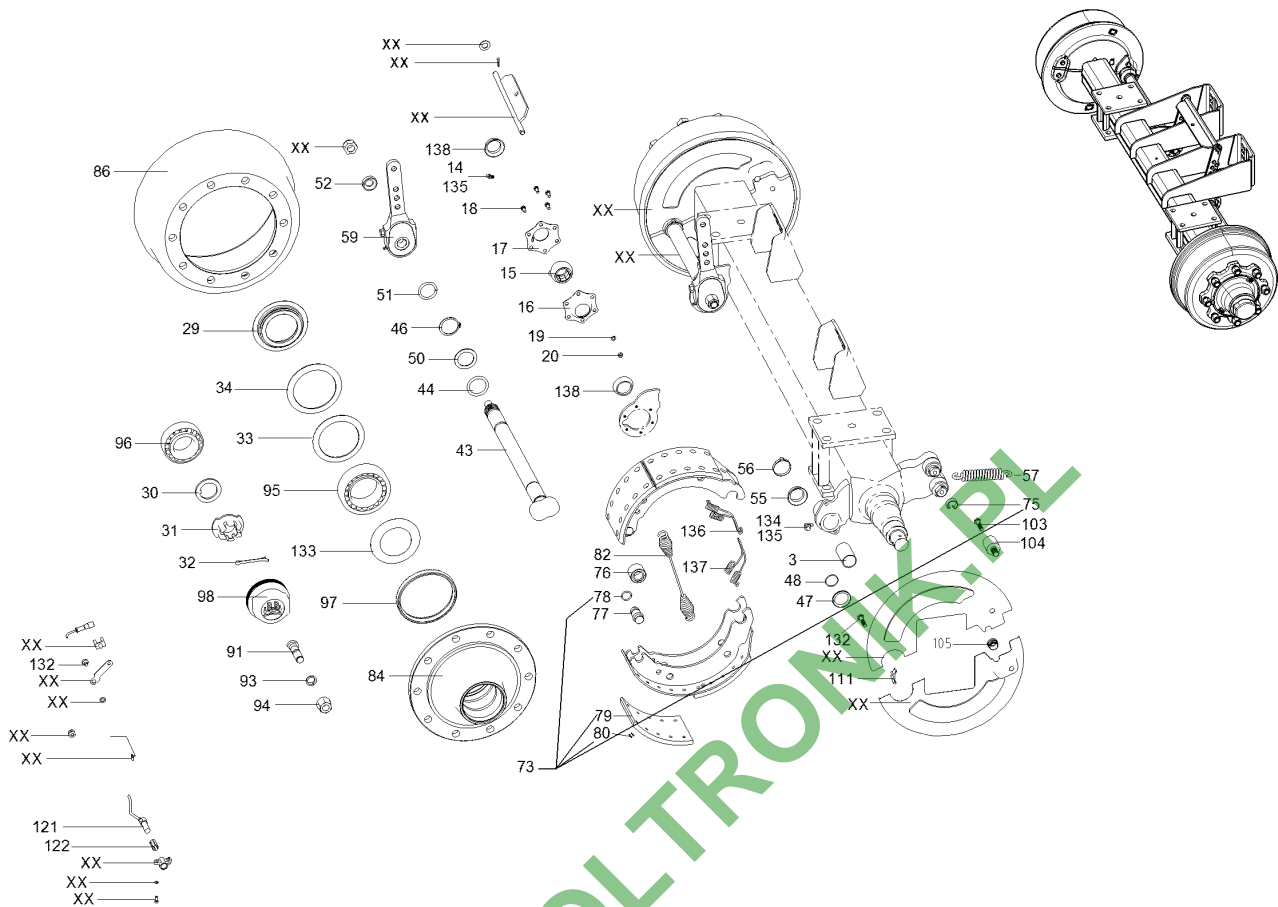
06.17

| Pos. | Art.Nr. | Stck. | Artikeltext / Description | Abmessung | |
|------|----------|-------|---------------------------|----------------|----------------------------------|
| 3 | 31710014 | 2 | Buchse | Bush | D46/42x73 |
| 14 | 323 6354 | 2 | Schmiernippel | Grease nipple | BM8x1 DIN71412-6kt. 45 GRD |
| 15 | 31710015 | 2 | Buchse | Bush | D38/34x35 |
| 16 | 31910011 | 2 | Lagerhalter | Bearing holder | - |
| 17 | 31910012 | 2 | Lagerhalter | Bearing holder | - |
| 18 | 301 7280 | 8 | Sechskantschraube | Hexagon bolt | M8x25-8.8 Zn DIN933 |
| 19 | 30510042 | 8 | Federscheibe | Spring washer | B8 DIN137 |
| 20 | 303 1011 | 8 | Sechskantmutter | Hexagon nut | M8 DIN934-8 Zn |
| 29 | 323 1682 | 2 | Stoßring | Thrust washer | D160/120x1,5 |
| 30 | 305 6452 | 2 | Scheibe | Washer | D61/43x5,8 |
| 31 | 303 0251 | 2 | Kronenmutter | Castle nut | DIN937-M42x2 |
| 32 | 31110002 | 2 | Splint | Peg | 8x50 DIN94-St |
| 33 | 323 0220 | 2 | Ring | Ring | D136/105x2,5 |
| 34 | 323 0222 | 2 | Ring | Ring | D142/111x2,5 |
| 43 | 45010124 | 2 | Bremsnockenwelle | Brake camshaft | L=755 A=636,5 |
| 44 | 37510059 | 2 | O-Ring | O-ring | 37x2,6 |
| 46 | 30510034 | 2 | Sicherungsring | Retaining ring | A 42x2,5 DIN471 |
| 47 | 32310025 | 2 | Ring | Ring | - |
| 48 | 375 1211 | 2 | O-Ring | O-ring | 40x2,5 |
| 50 | 32310026 | 2 | Dichtring | Seal ring | - |
| 51 | 30510035 | 2 | Sprengtring | Circlip | SW40 |



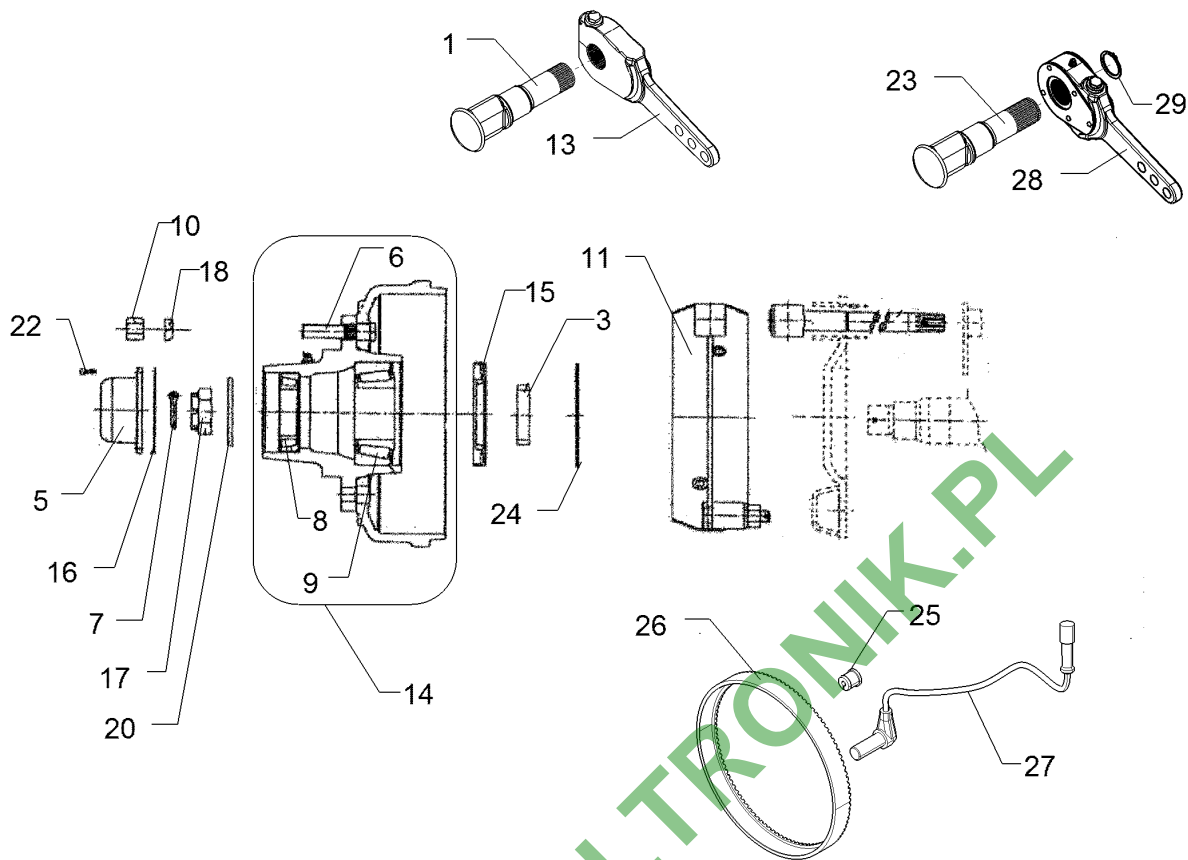
06.17

| Pos. | Art.Nr. | Stck. | Artikeltext / Description | Abmessung | |
|------|----------|-------|---------------------------|-------------------------|-------------------------|
| 52 | 30510036 | 2 | Scheibe | Washer | - |
| 55 | 32310027 | 2 | Dichtring | Seal ring | - |
| 56 | 30510037 | 2 | Sicherungsklammer | Safety clamp | - |
| 57 | 32910008 | 2 | Zugfeder | Spring | D=4 Lo=148 |
| 59 | 45010122 | 2 | Gestängesteller | Linkage control element | 120 250 |
| 73 | 45010029 | 4 | Bremsbacke | Brake-shoe with lining | kpl. |
| 75 | 31110004 | 8 | Hakensprengtring | Hook spring ring | - |
| 76 | 31710016 | 4 | Rolle | Roller | - |
| 77 | 31310008 | 4 | Bolzen | Pin | - |
| 78 | 30510038 | 8 | Ring | Ring | - |
| 79 | 31510009 | 8 | Bremsbelag | Brake lining | - |
| 80 | 315 6000 | 80 | Niet | Rivet | B8x15 DIN7338 |
| 82 | 32910009 | 2 | Zugfeder | Spring | - |
| 84 | 450 6910 | 2 | Radnabe | Wheel hub | 8/220/275 D20 M115x2 |
| 86 | 45010123 | 2 | Bremstrommel | Brake drum | - |
| 91 | 30110035 | 16 | Radbolzen | Wheel bolt | M22x1,5x80 |
| 93 | 305 9934 | 16 | Federring mit Kugel | Spring ring | C22,5 Zn |
| 94 | 303 6428 | 16 | Flachbundmutter | Flat collar nut | M22x1,5 Zn |
| 95 | 319 9205 | 2 | Kegelrollenlager | Tapered roller bearing | 33116 |
| 96 | 319 9204 | 2 | Kegelrollenlager | Tapered roller bearing | 32310 |
| 98 | 323 1327 | 2 | Schraubkappe | Cap | M115x2 BPW |
| 103 | 30110036 | 4 | Sechskantschraube | Hexagon bolt | M10x15 |
| 104 | 45010036 | 4 | Gewindebolzen | Threaded pin | - |



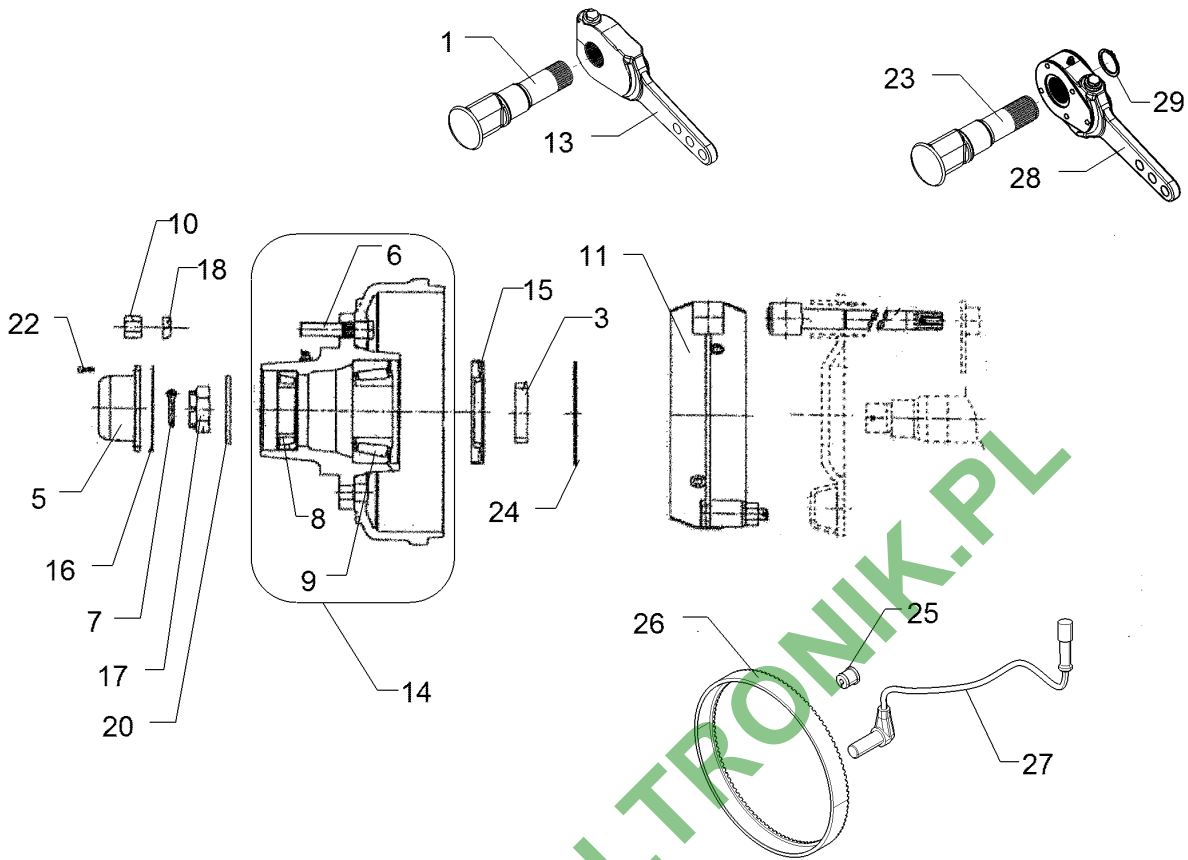
06.17

| Pos. | Art.Nr. | Stck. | Artikeltext / Description | Abmessung |
|------|----------|-------|---------------------------|---------------|
| 105 | 32310032 | 2 | Stopfen | Plug |
| 111 | 32310029 | 6 | Stopfen | Plug |
| 121 | F40 0542 | 1 | Sensor | Sensor |
| 122 | F40 0541 | 1 | Buchse | Bush |
| 132 | 30110037 | 4 | Sechskantschraube | Hexagon bolt |
| 133 | 305 6453 | 2 | Abdeckblech | Cover |
| 134 | 323 6348 | 2 | Schmiernippel | Grease nipple |
| 135 | 32310021 | 4 | Schutzkappe | Cap |
| 136 | 32910010 | 2 | Zugfeder | Spring |
| 137 | 32910011 | 2 | Zugfeder | Spring |
| 138 | 32310028 | 4 | Dichtring | Seal ring |



06.17

| Pos. | Art.Nr. | Stck. | Artikeltext / Description | Abmessung | |
|------|----------|-------|---------------------------|-------------------------|-----------------|
| 1 | R03 1002 | 2 | Bremshebelwelle | Shaft | - |
| 3 | R03 1013 | 2 | Schulterring | Ring | - |
| 5 | R03 1005 | 2 | Kappe | Cap | - |
| 6 | R03 1006 | 16 | Radbolzen | Wheel bolt | M20x1,5x76 |
| 7 | R03 1017 | 2 | Splint | Peg | 6,3x55 Zn DIN94 |
| 8 | 319 9160 | 2 | Kegelrollenlager | Tapered roller bearing | 32213. |
| 9 | 319 9175 | 2 | Kegelrollenlager | Tapered roller bearing | 32216 DIN720 |
| 10 | R00 1097 | 16 | Radmutter | Wheel nut | M20x1,5 |
| 11 | R03 1003 | 2 | Bremsbacke | Brake-shoe with linging | KPL 400x80 |
| 13 | R03 1020 | 2 | Bremshebel | Brake lever | - |
| 14 | R03 1021 | 2 | Trommel | Roller /Drum | - |
| 15 | R03 1022 | 2 | Radialdichtring | Radial seal ring | - |
| 16 | R03 1024 | 2 | Kappendichtung | Seal | - |
| 17 | R03 1025 | 2 | Kronenmutter | Castle nut | - |
| 18 | R00 1098 | 16 | Ring | Ring | M20 |
| 20 | R03 1026 | 2 | Scheibe | Washer | - |
| 22 | R03 1027 | 16 | Bolzen | Pin | - |
| 23 | R00 0648 | 2 | Bremshebel | Brake lever | - |
| 24 | R03 1023 | 2 | Feinblechverdichtungsring | -- | - |
| 25 | R03 1031 | 1 | Gummitülle | Rubber bushing | - |
| 26 | R03 1029 | 1 | Polrad | Magnet wheel | - |
| 27 | R74 1455 | 1 | Radsensor | Sensor | - |
| 28 | 45010155 | 2 | Bremsnockenwelle | Brake camshaft | GKN |



06.17

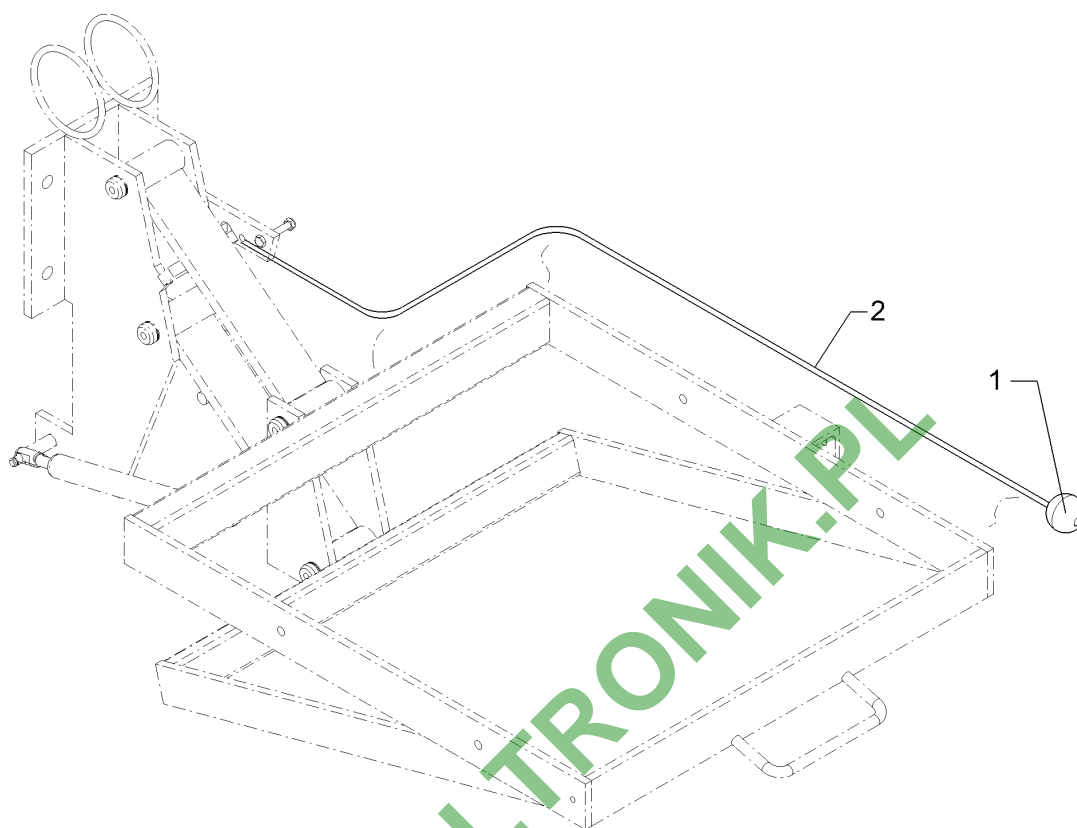
| Pos. | Art.Nr. | Stck. | Artikeltext / Description | Abmessung |
|------|----------|-------|----------------------------------|-----------------|
| 29 | 30510268 | 2 | Sicherungsring Retaining ring | 28x1,5 DIN471-A |

Zugseil/Traction robe

5

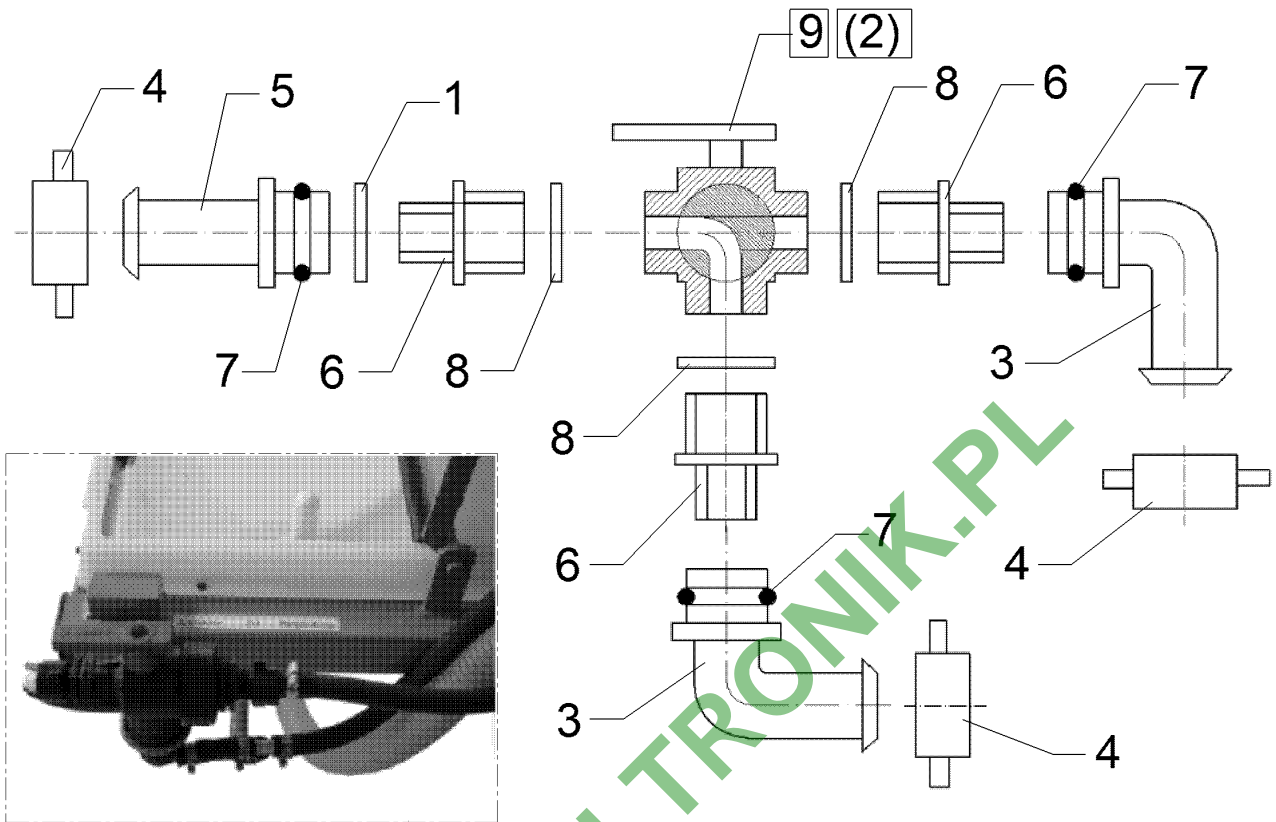
EuroTrain 2600 TC / 3500 TC

F02 0899



06.17

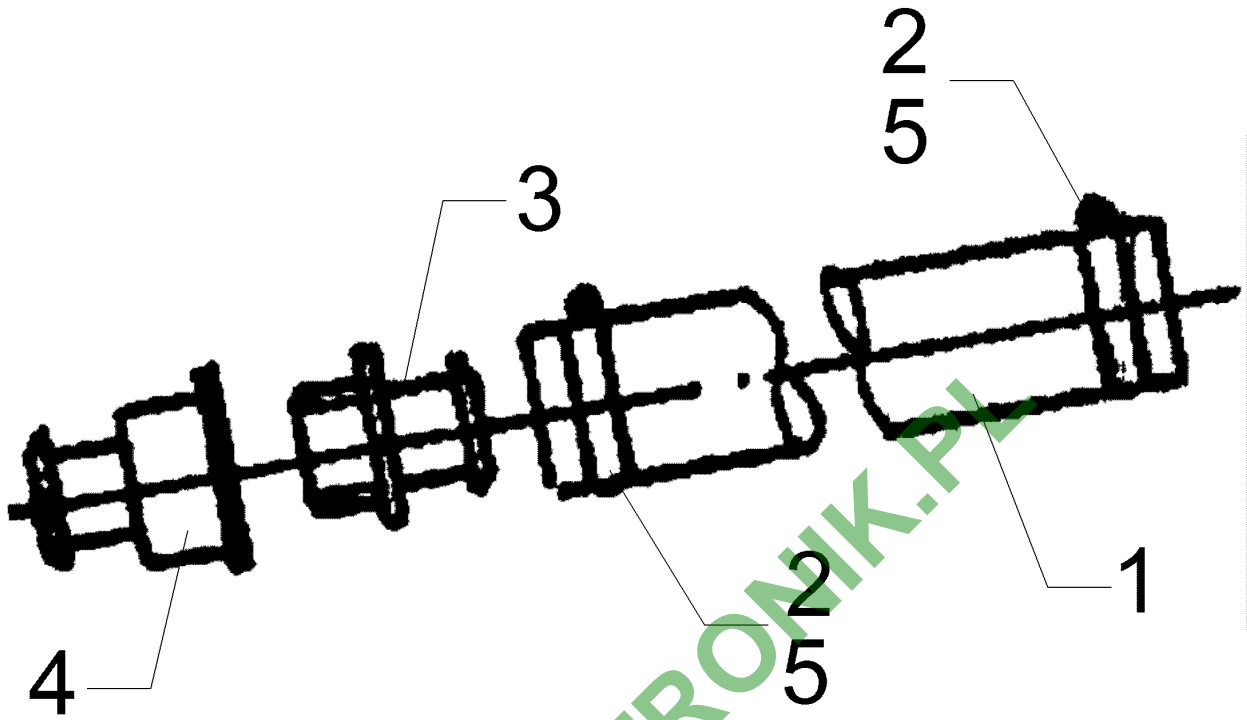
| Pos. | Art.Nr. | Stck. | Artikeltext / Description | Abmessung |
|------|----------|-------|---------------------------|------------------|
| 1 | F01 0948 | 1 | Kugelknopf | Spherical button |
| 2 | F25 0449 | 1 | Zugseil | Traction robe |



06.17

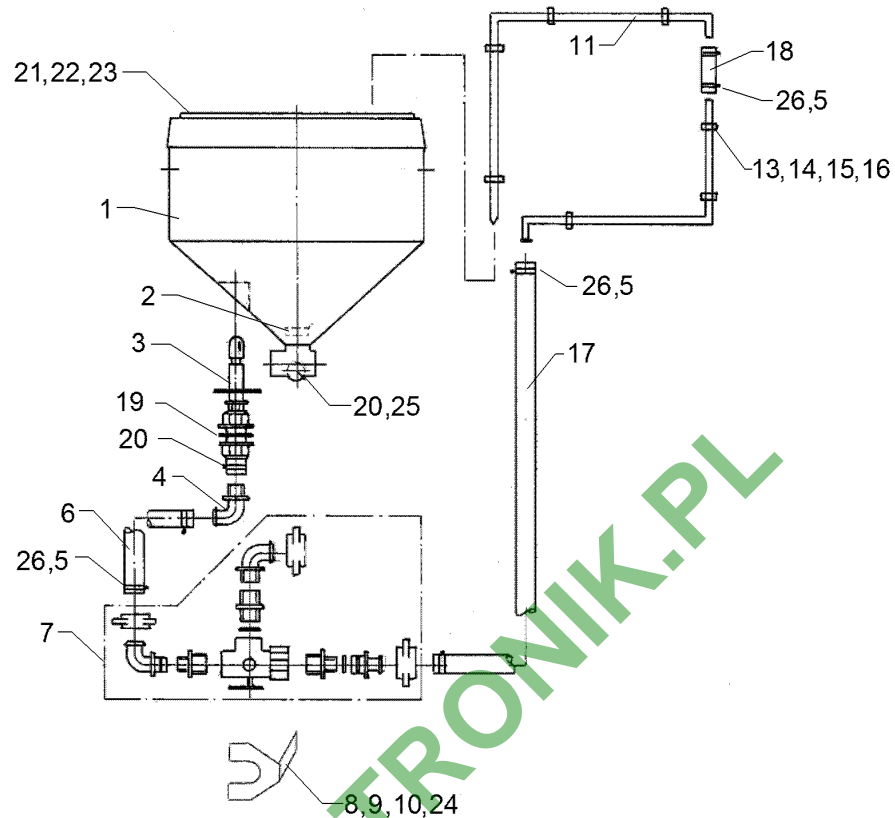
| Pos. | Art.Nr. | Stck. | Artikeltext / Description | Abmessung | |
|------|----------|-------|---------------------------|-----------------|-------------------|
| 1 | F01 2982 | 1 | Drossel | Throttle | 5x24x3 |
| 2 | F61 0139 | 1 | Kugelventil | Ball valve | 3/3 G1-1/4ZLI |
| 3 | F61 0947 | 2 | Zapfen | Pivot | G3/4 ZL |
| 4 | F61 0952 | 3 | Überwurfmutter | Union nut | G3/4 ZL SYN |
| 5 | F61 0965 | 1 | Schlauchanschluss | Hose connection | G3/4ZL A D19 |
| 6 | 37810495 | 3 | Adapter | Adapter | G1-1/4ZLA G3/4ZLA |
| 7 | F61 1951 | 3 | Dichtung | Seal | 14x24x2 PVC |
| 8 | F61 1974 | 3 | O-Ring | O-ring | 37,47x5,35 |
| 9 | 57810119 | 10 | Kugelventil | Ball valve | G1 1/4 ZL |

| | |
|-----------------------------|----------|
| Adapter/Adapter | 5 |
| EuroTrain 2600 TC / 3500 TC | F02 1047 |



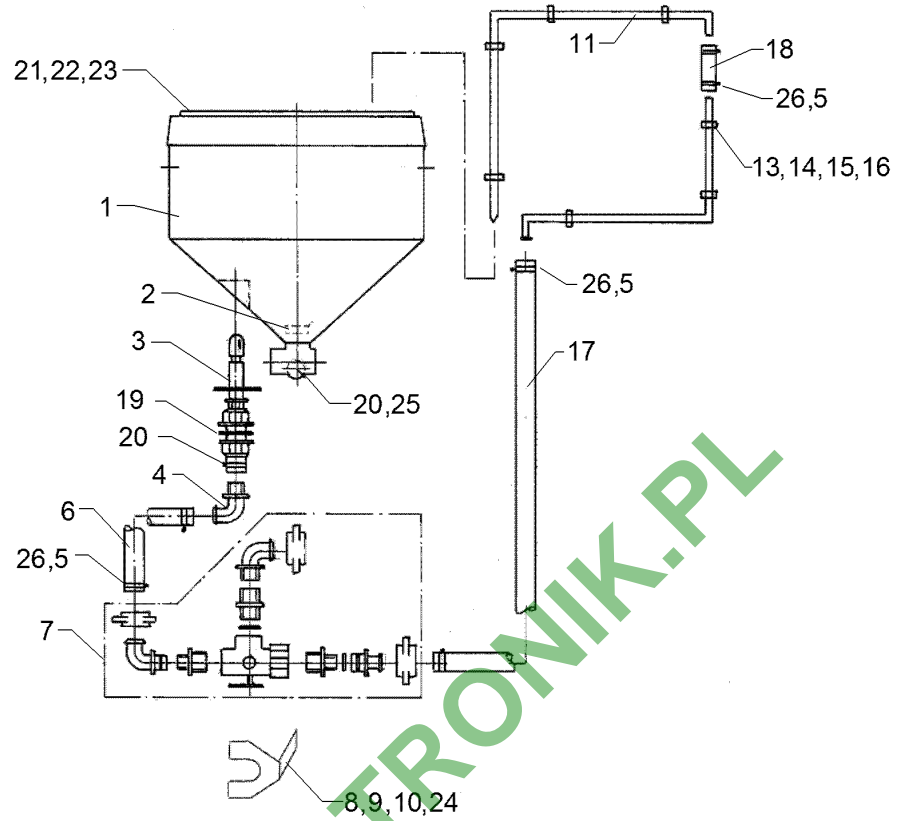
06.17

| Pos. | Art.Nr. | Stck. | Artikeltext / Description | Abmessung |
|------|----------|-------|---------------------------|----------------------------------|
| 1 | F01 2420 | 1 | Schlauch | Hose 40i.x4,5x265 |
| 2 | F55 0250 | 2 | Schutzkappe | Cap bl 9mm |
| 3 | 37810528 | 1 | Schlauchanschluss | Hose connection G1-1/4ZLI D32 |
| 4 | 37810348 | 1 | Schlauchanschluss | Hose connection G1-1/4ZLA D40 |
| 5 | F61 2403 | 2 | Schlauchschelle | Hose clip D32-D50x9 |



06.17

| Pos. | Art.Nr. | Stck. | Artikeltext / Description | Abmessung | |
|------|----------|-------|---------------------------|--------------------------|----------------------------|
| 1 | F01 1019 | 1 | Injektorbehälter | Injector tank | 75l |
| 2 | F65 0617 | 1 | Siebeinsatz | Filter | D44,5 |
| 3 | F61 2865 | 1 | Kanisterspüldüse | Canister rinsing nozzle | G1/2 |
| 4 | F61 4136 | 1 | Schraubtülle | Pivot | G1/2ZL-D13-90GRD |
| 5 | F61 2401 | 6 | Schlauchschelle | Hose clip | D12-D22x9 |
| 6 | F01 2204 | 1 | Schlauch | Hose | 13i.x4,0x450 |
| 7 | F02 1042 | 1 | Armaturengruppe | Control center | EL/ET |
| 8 | 305 8695 | 2 | Scheibe | Washer | A8,4 DIN125 A2 |
| 9 | 301 6751 | 2 | Sechskantschraube | Hexagon bolt | M8x20-A2 DIN933 |
| 10 | F50 0158 | 1 | Beschriftungsplatte | Plate | - |
| 11 | F02 0710 | 1 | Ringleitung | Closed circular pipeline | ET/ECO |
| 13 | F55 0210 | 7 | Kabelhalter gebogen | Cable holder bent | H7P |
| 14 | 30110611 | 7 | Linsenschraube | Oval head screw | M4x25 DIN7985 A2 |
| 15 | 30310040 | 7 | Sicherungsmutter | Selflocking nut | NM4 DIN985-A4 |
| 16 | 30510075 | 7 | Scheibe | Washer | 4,3 DIN125 A2 |
| 17 | F01 2205 | 1 | Schlauch | Hose | di13x4x850 |
| 18 | F01 1781 | 1 | Schlauch | Hose | di13x4x40 |
| 19 | F61 1908 | 1 | Dichtung | Seal | 45x3x33 |
| 20 | F61 2399 | 2 | Schlauchschelle | Hose clip | D16-D27x9 |
| 21 | F45 0170 | 1 | Klappdeckel | Spring cover | D415 D382 |
| 22 | 30110446 | 8 | Senk-Blechschaube | Countersunk bolt | 4,8x22-C-T25 A2 DIN7982 |
| 23 | F61 1913 | 1 | Dichtung | Seal | D415 |



06.17

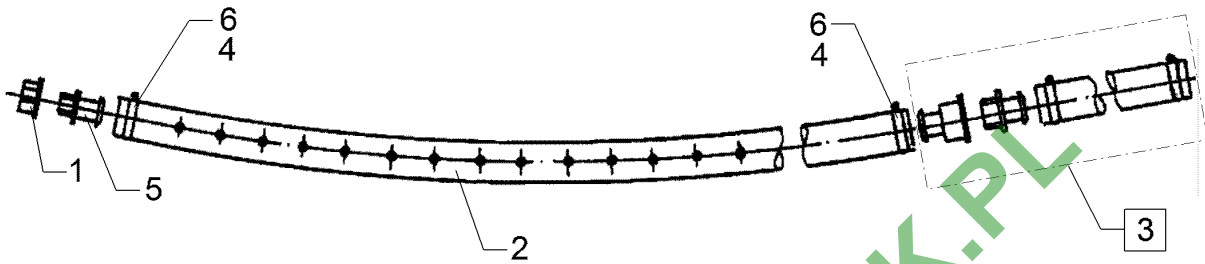
| Pos. | Art.Nr. | Stck. | Artikeltext / Description | Abmessung |
|------|----------|-------|---------------------------|------------------------|
| 24 | 30510102 | 2 | Federring Spring ring | 8 Form B-V2A DIN127 |
| 25 | 37810649 | 1 | Stopfen Plug | G1/2 ZLA |
| 26 | F55 0250 | 8 | Schutzkappe Cap | bl 9mm |

Einspülschlauch/Induction hose

5

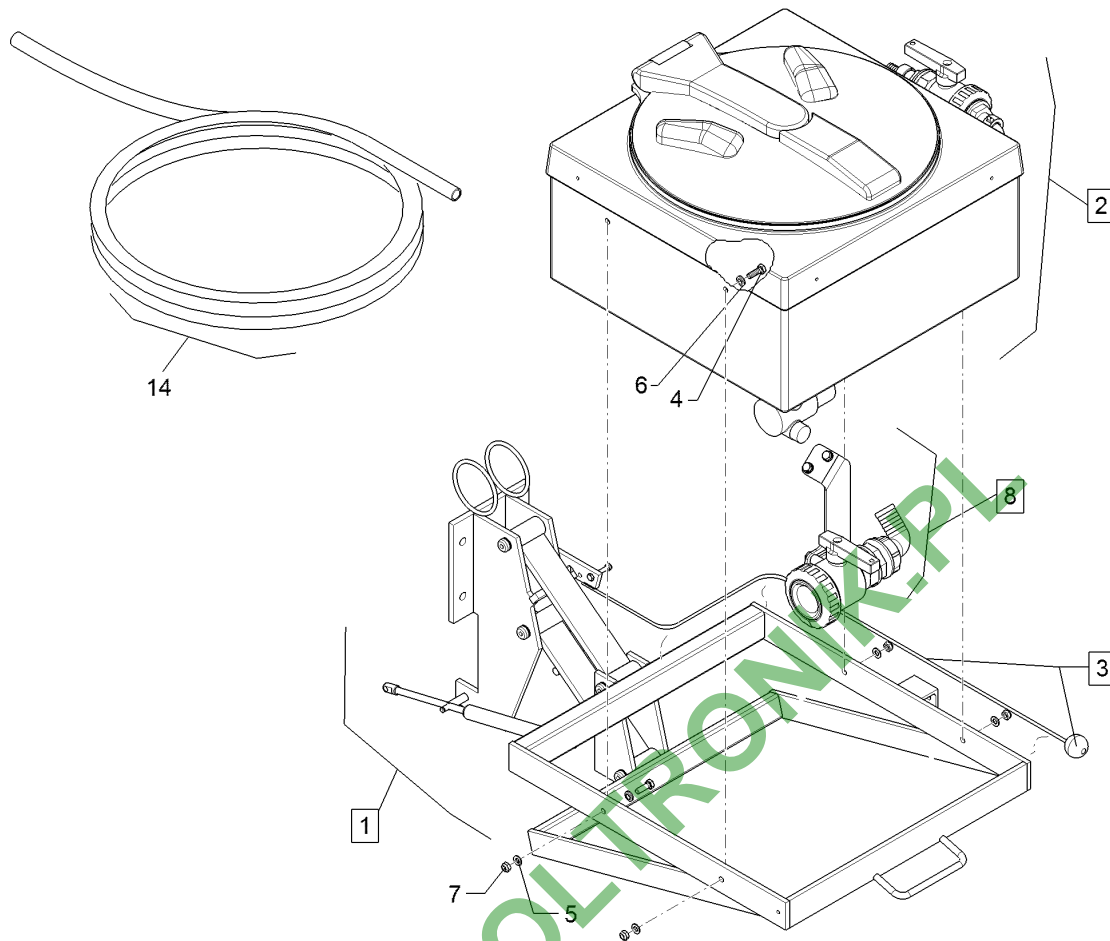
EuroTrain 2600 TC / 3500 TC

F03 0377



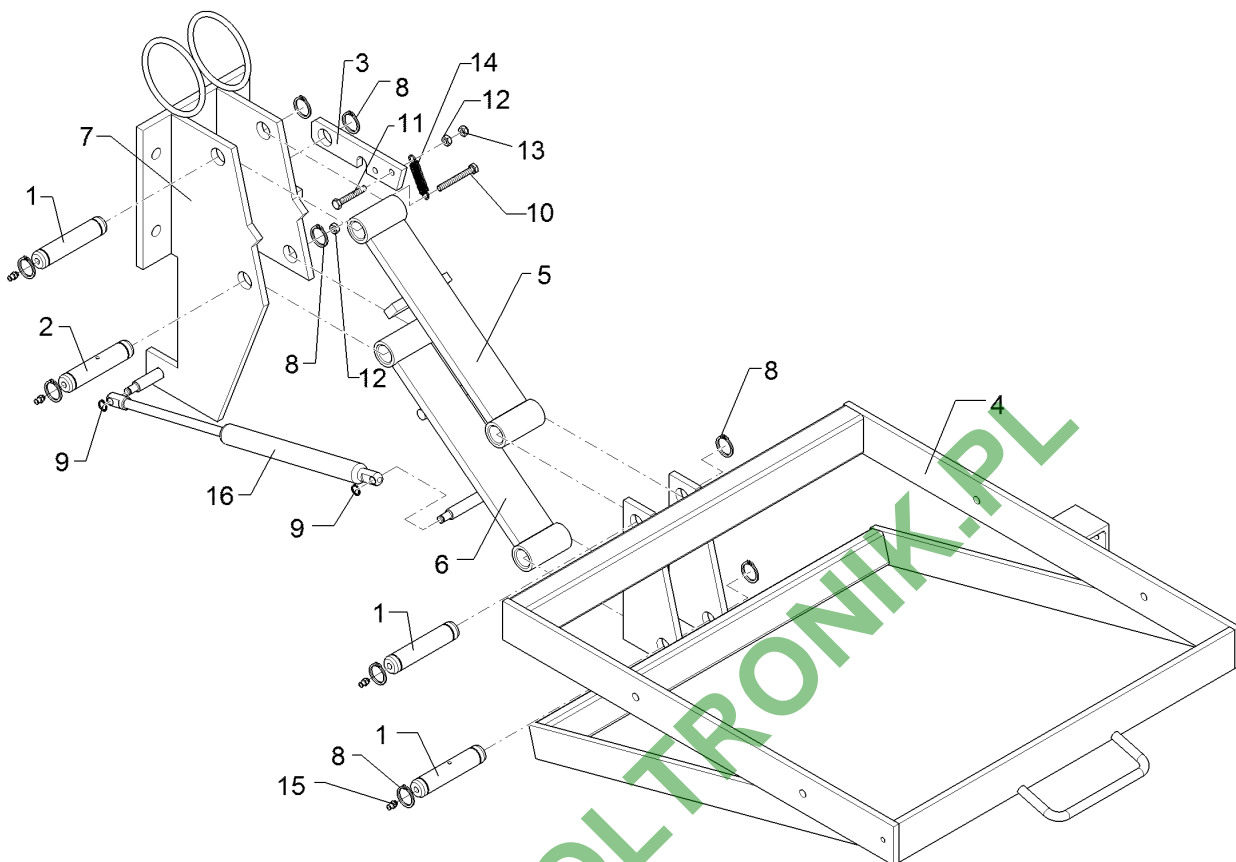
06.17

| Pos. | Art.Nr. | Stck. | Artikeltext / Description | Abmessung | |
|------|----------|-------|---------------------------|-----------------|---------------|
| 1 | F01 1205 | 1 | Stopfen | Plug | G11/4 ZL i. |
| 2 | F01 1206 | 1 | Einspülschlauch | Induction hose | EL800-1200 |
| 3 | F02 1047 | 1 | Adapter | Adapter | - |
| 5 | 37810345 | 1 | Schlauchanschluss | Hose connection | G1-1/4ZLA D32 |
| 6 | F61 2402 | 2 | Schlauchschelle | Hose clip | D25-D40x9 |



06.17

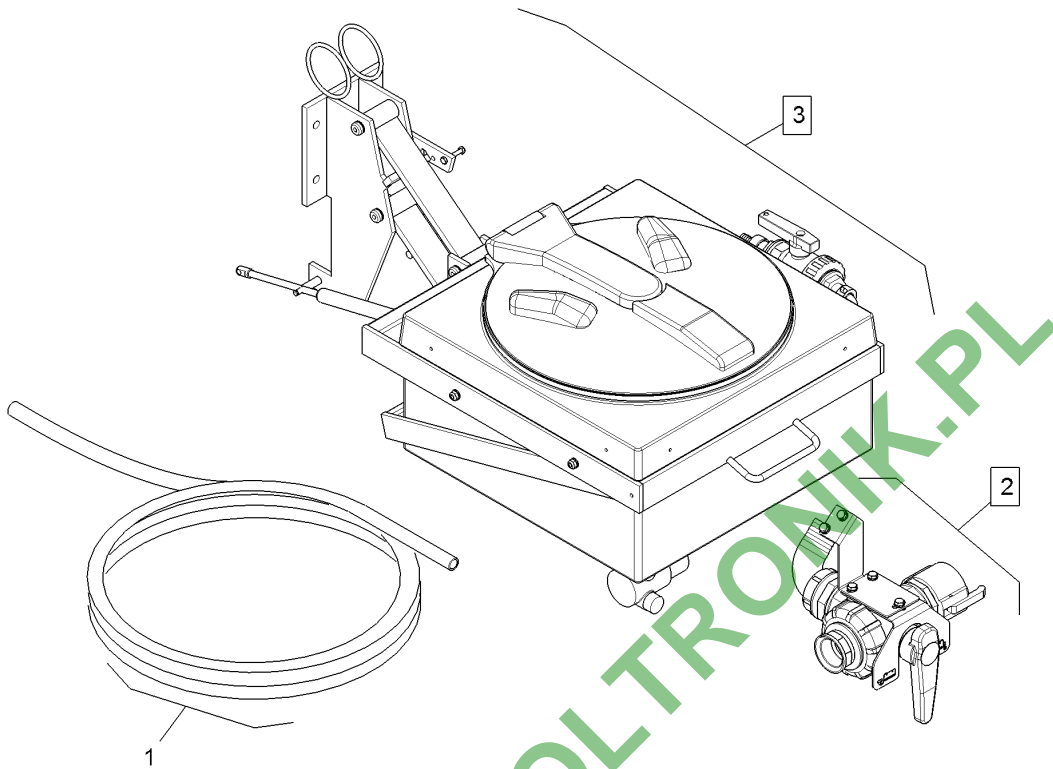
| Pos. | Art.Nr. | Stck. | Artikeltext / Description | | Abmessung |
|------|----------|-------|---------------------------|------------------|-----------------|
| 1 | F03 0464 | 1 | Parallelführung | Parallel guiding | ET |
| 2 | F03 0348 | 1 | Injektorbehälter | Injector tank | ECO/ET |
| 3 | F02 0899 | 1 | Zugseil | Traction rope | - |
| 4 | 301 7518 | 4 | Sechskantschraube | Hexagon bolt | M8x25-A2 DIN933 |
| 5 | 305 8695 | 4 | Scheibe | Washer | A8,4 DIN125 A2 |
| 6 | F61 1966 | 4 | Dichtring | Seal ring | M8 |
| 8 | F02 1194 | 1 | Sauganschluss | Suction nipple | G1-1/2ZL |
| 14 | F01 2223 | 1 | Schlauch | Hose | 32i.x4,2x3550 |



06.17

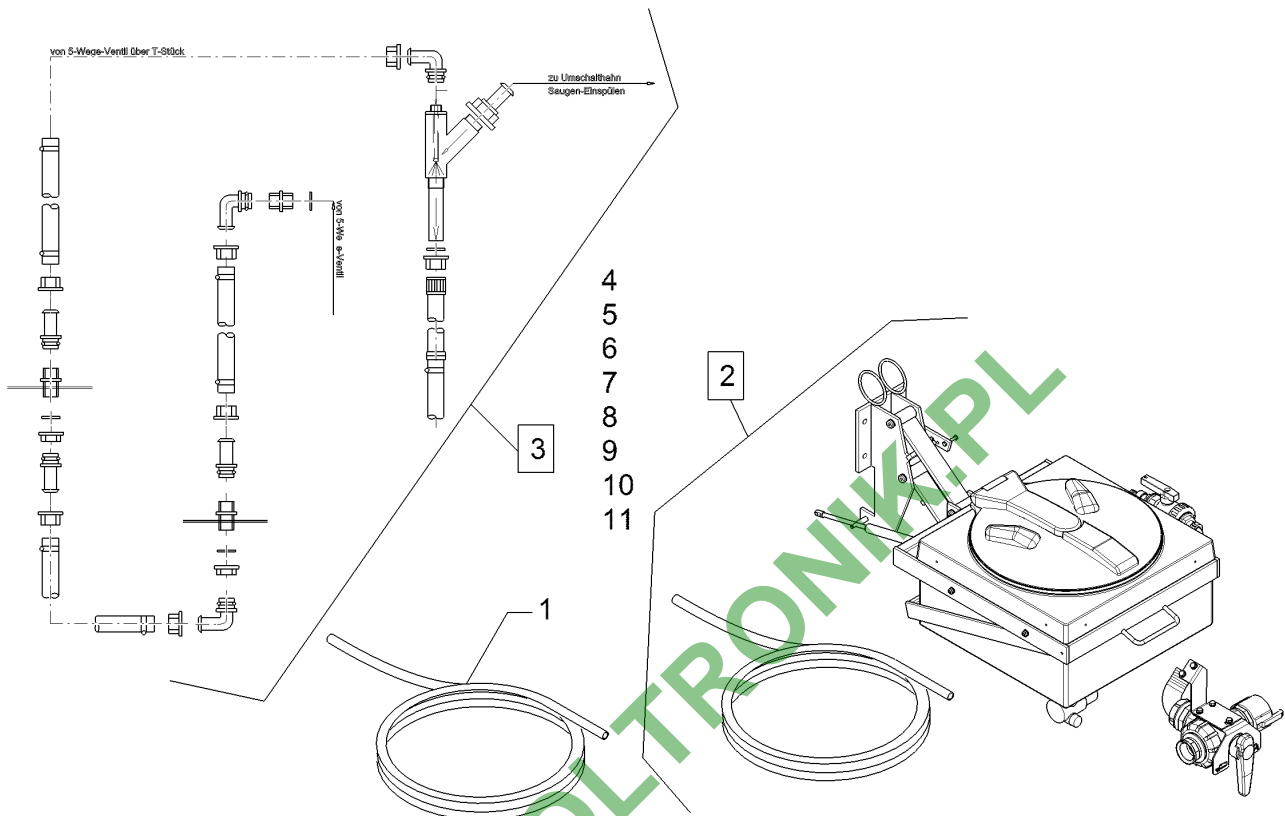
| Pos. | Art.Nr. | Stck. | Artikeltext / Description | | Abmessung |
|------|----------|-------|---------------------------|------------------|---------------------------|
| 1 | F01 0822 | 3 | Bolzen | Pin | F01_0822 |
| 2 | F01 0943 | 1 | Gelenkbolzen | Bolt | - |
| 3 | F01 1214 | 1 | Riegel | Locking bar | 30x8x135 d20+2xd7 |
| 4 | F02 0718 | 1 | Halter | Holder | 625x520x180 |
| 5 | F02 1450 | 1 | Lenker | Link | 292x82x41 |
| 6 | F02 1451 | 1 | Lenker | Link | 292x33x144 |
| 7 | F02 1452 | 1 | Konsole | Bracket | 440x150x160 |
| 8 | 305 8823 | 9 | Sicherungsring | Retaining ring | A20x1,2 Zn DIN471 |
| 9 | 30510240 | 2 | Sicherungsring | Retaining ring | 8x0,8 DIN471-A A2 |
| 10 | 30110355 | 1 | Sechskantschraube | Hexagon bolt | M6x50-A2 DIN933 |
| 11 | F20 0617 | 1 | Sechskantschraube | Hexagon bolt | M6x40 A2 DIN933 |
| 12 | 30310022 | 2 | Sechskantmutter | Hexagon nut | M6 DIN934-A4 |
| 13 | 30310042 | 1 | Sicherungsmutter | Selflocking nut | NM6 DIN985-A4 |
| 14 | F25 0282 | 1 | Zugfeder | Spring | 10a.x1,25x59,5 V2A |
| 15 | F25 0493 | 4 | Schmiernippel | Grease nipple | H1 M8x1,25 Zn DIN71412 |
| 16 | F60 0435 | 1 | Gasfeder | Pneumatic spring | - |

| | |
|--------------------------------|----------|
| Injektorbehälter/Injector tank | 5 |
| EuroTrain 2600 TC / 3500 TC | F04 0155 |



06.17

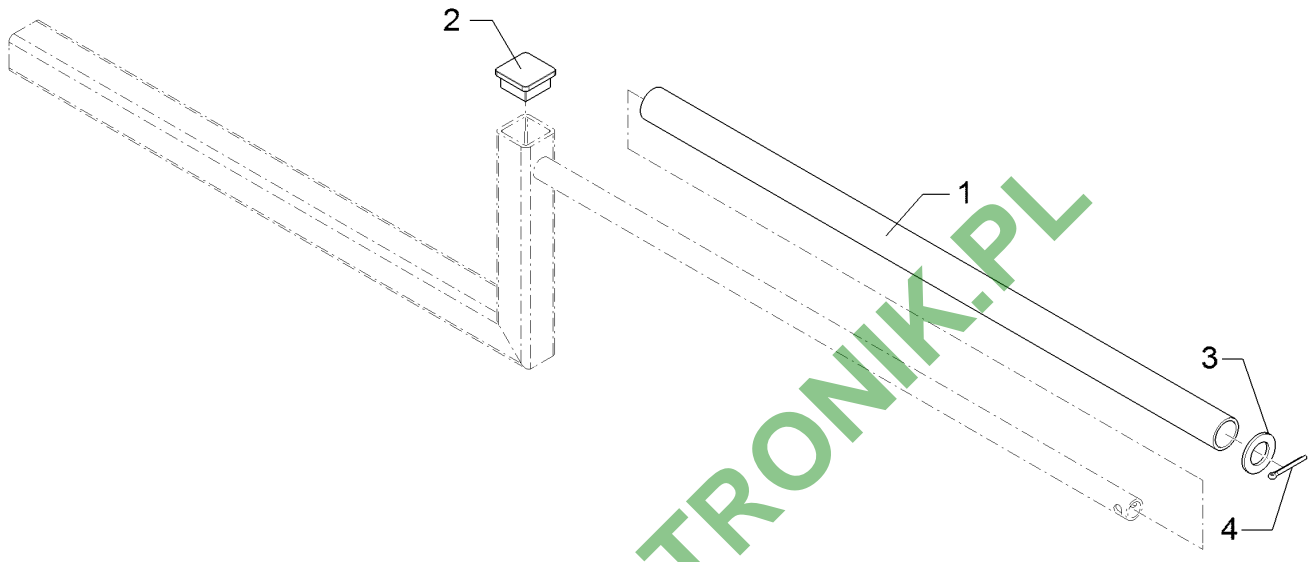
| Pos. | Art.Nr. | Stck. | Artikeltext / Description | Abmessung | |
|------|----------|-------|---------------------------|----------------|-------------|
| 1 | F01 2224 | 1 | Schlauch | Hose | 45i.x5x3550 |
| 2 | F02 0958 | 1 | Sauganschluss | Suction nipple | ET |
| 3 | F03 0403 | 1 | Injektorbehälter | Injector tank | ET |



06.17

| Pos. | Art.Nr. | Stck. | Artikeltext / Description | | Abmessung |
|------|----------|-------|---------------------------|-----------------|------------------------|
| 1 | F01 2785 | 1 | Verbindungsschlauch | Connecting hose | 25i.x7x2000 |
| 2 | F04 0155 | 1 | Injektorbehälter | Injector tank | KPL ET |
| 3 | F06 0152 | 1 | Super-Injektor | Super-Injector | ET |
| 4 | F55 0250 | 2 | Schutzkappe | Cap | bl 9mm |
| 5 | F61 0854 | 2 | Schlauchanschluss | Hose connection | G1-1/2ZLÜ 90GRD D25 |
| 6 | 37810580 | 2 | Überwurfmutter | Union nut | G1-1/4 ZL |
| 7 | 37810672 | 1 | Mutter | Nut | G1-1/4ZLI |
| 8 | F61 1909 | 1 | Dichtung | Seal | 40x60x4 |
| 9 | 37810281 | 2 | O-Ring | O-ring | 26,7x2,6 |
| 10 | F61 2402 | 2 | Schlauchschelle | Hose clip | D25-D40x9 |
| 11 | 37810484 | 1 | Adapter | Adapter | G1-1/4ZLA G1-1/4ZLA |

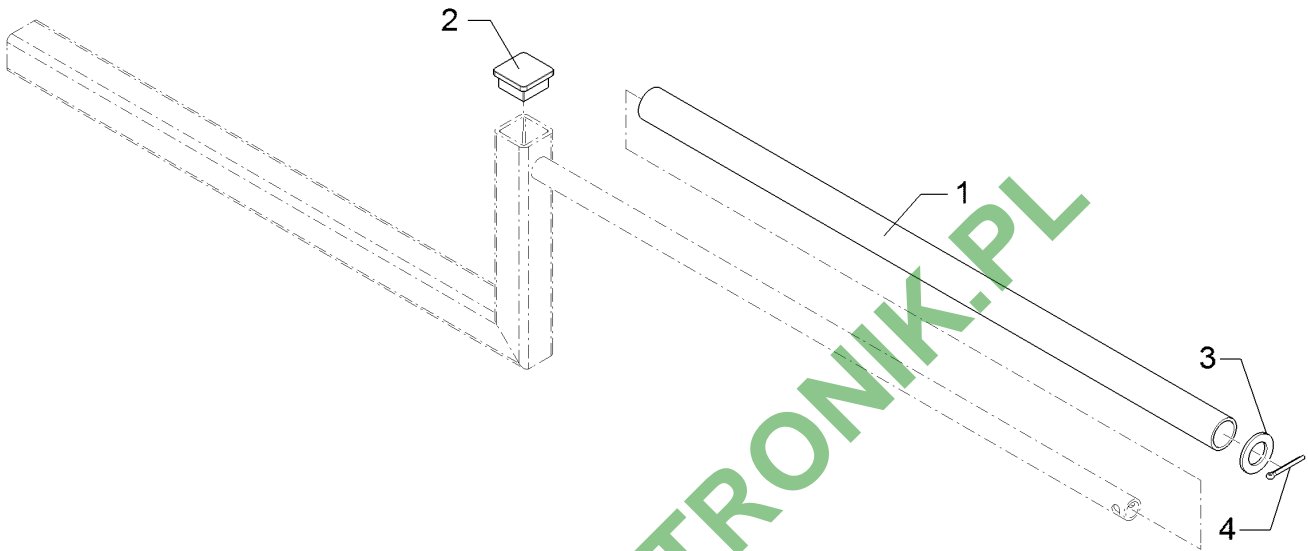
| | |
|-----------------------------|----------|
| Halter/Holder | 6 |
| EuroTrain 2600 TC / 3500 TC | F02 0714 |



06.17

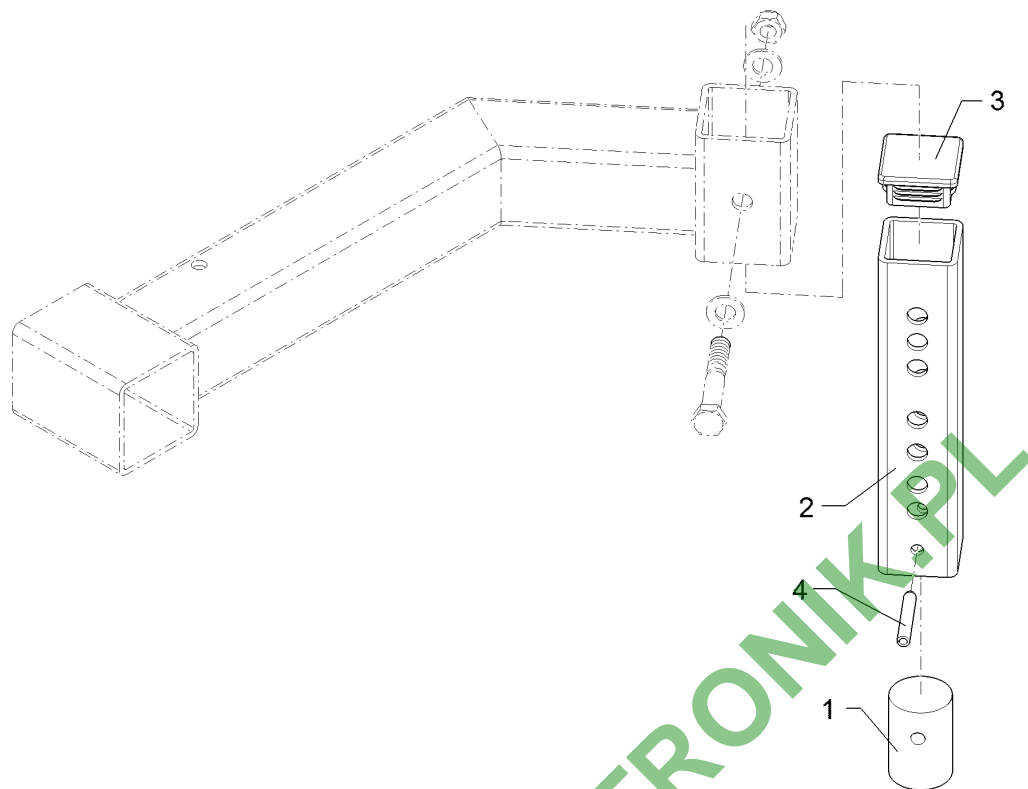
| Pos. | Art.Nr. | Stck. | Artikeltext / Description | Abmessung |
|------|----------|-------|-------------------------------|------------------|
| 1 | F01 2133 | 1 | Schutzrohr Protection tube | D32x3x720 |
| 2 | F55 0142 | 1 | Stopfen Plug | V40x40x4 SYN bk |
| 3 | 305 8701 | 1 | Scheibe Washer | B23 DIN-125 |
| 4 | 311 7615 | 1 | Splint Peg | 4x32 DIN94-St Zn |

| | |
|-----------------------------|----------|
| Tragarm/Supporting arm | 6 |
| EuroTrain 2600 TC / 3500 TC | F02 0978 |



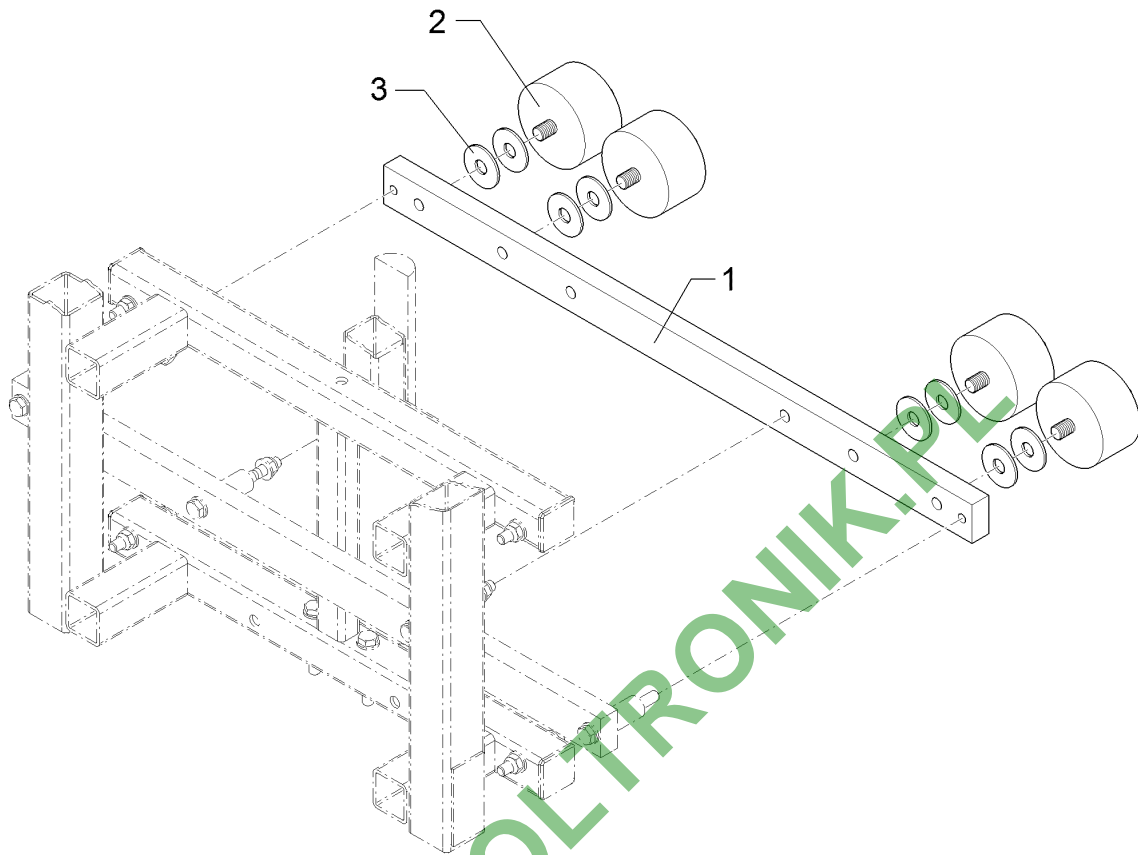
06.17

| Pos. | Art.Nr. | Stck. | Artikeltext / Description | Abmessung |
|------|----------|-------|-------------------------------|------------------|
| 1 | F01 2133 | 1 | Schutzrohr Protection tube | D32x3x720 |
| 2 | F55 0142 | 1 | Stopfen Plug | V40x40x4 SYN bk |
| 3 | 305 8701 | 1 | Scheibe Washer | B23 DIN-125 |
| 4 | 311 7615 | 1 | Splint Peg | 4x32 DIN94-St Zn |



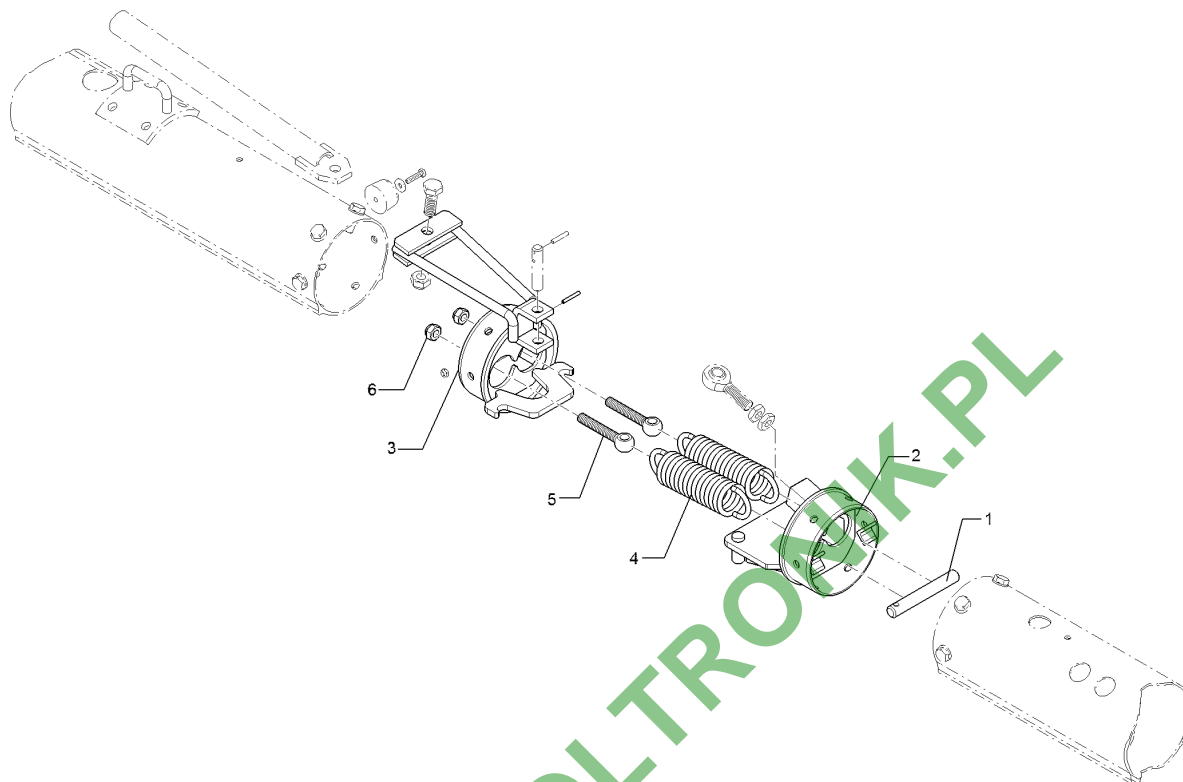
06.17

| Pos. | Art.Nr. | Stck. | Artikeltext / Description | Abmessung | |
|------|----------|-------|---------------------------|----------------|--------------------------|
| 1 | F01 0855 | 1 | Anschlagstutzen | Stop stud | D40x60 1xd9 |
| 2 | F01 0856 | 1 | Quadratrohr | Square tube | 50x50x4x240 14d13 2d8 |
| 3 | F55 0167 | 1 | Stopfen | Plug | 50x50x2.6-5 |
| 4 | 30910023 | 1 | Spannhülse | Expansion bush | 8x50-DIN1481-A2 |



06.17

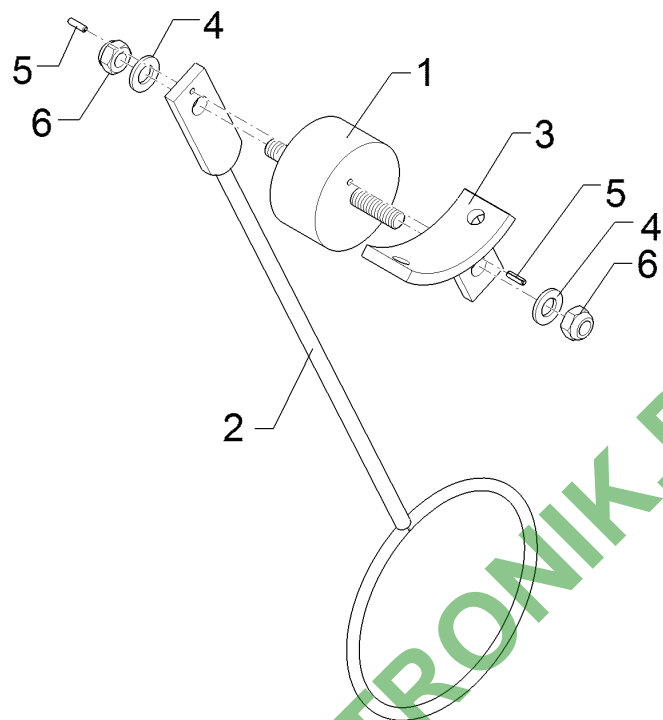
| Pos. | Art.Nr. | Stck. | Artikeltext / Description | Abmessung |
|------|----------|-------|---------------------------|---|
| 1 | F01 4211 | 1 | Gleitschiene | Sliding part |
| 2 | F11 1506 | 4 | Gummipuffer | Rubber buffer |
| 3 | 30510238 | 8 | Scheibe | Washer |
| | | | | 50x25x880 4dx14 100/55 M16x31/M16x21 17 DIN522 Zn5 |



06.17

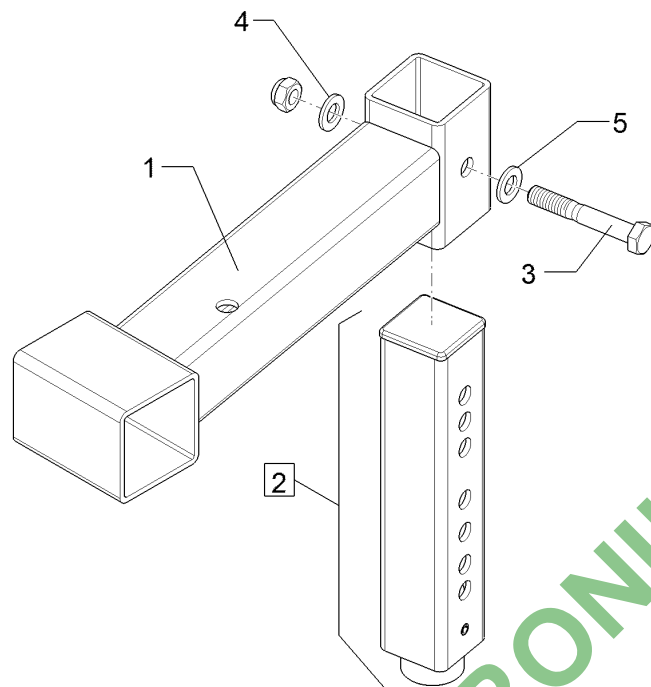
| Pos. | Art.Nr. | Stck. | Artikeltext / Description | Abmessung | |
|------|----------|-------|---------------------------|-----------------|------------------------|
| 1 | F01 0486 | 1 | Bolzen | Pin | D16x117 2x45GRD |
| 2 | F12 0024 | 1 | Ausweichgelenk | Joint | 140x250x193 SH15-24 |
| 3 | F12 0025 | 1 | Ausweichgelenk | Joint | 140x151x133 |
| 4 | F25 0200 | 2 | Zugfeder | Spring | 45a.x6,5x150 V2A |
| 5 | 30110431 | 2 | Augenschraube | Eye bolt | BM12x80-A2 DIN444 |
| 6 | 30310030 | 2 | Sicherungsmutter | Selflocking nut | NM12 DIN985-A4 |

| | |
|------------------------------------|-----------------|
| Aufschlagbügel/Clamp | 6 |
| EuroTrain 2600 TC / 3500 TC | F03 0168 |



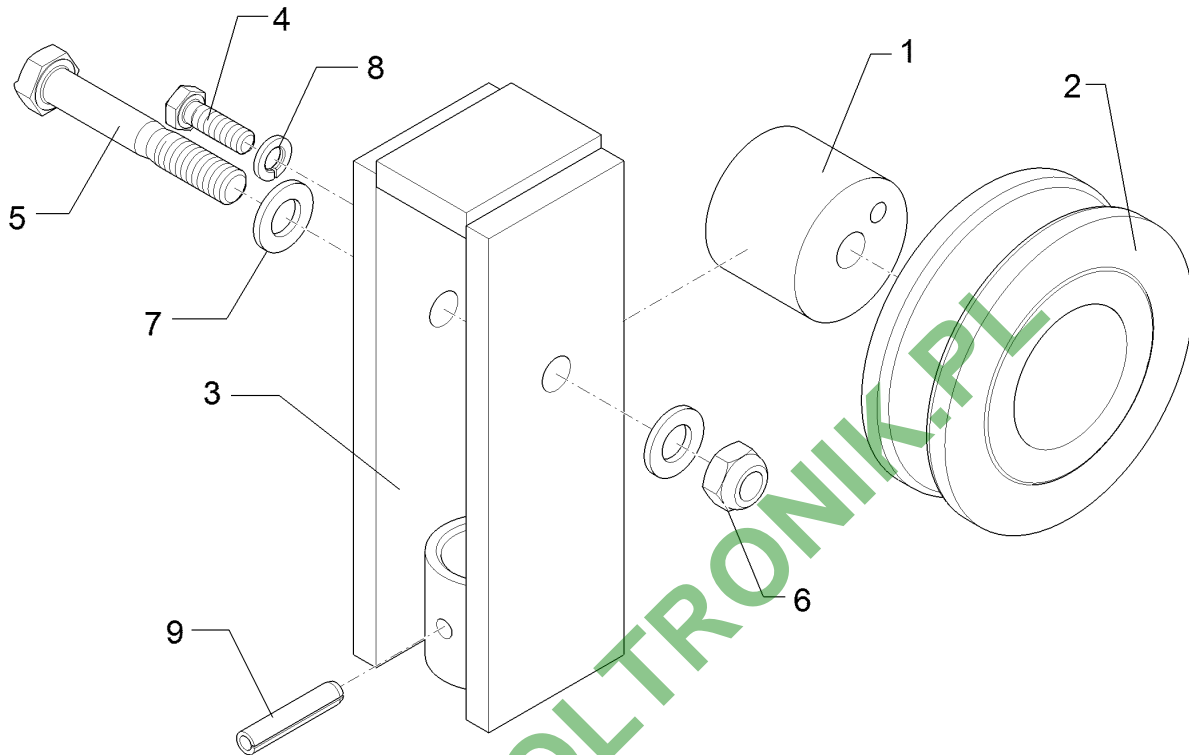
06.17

| Pos. | Art.Nr. | Stck. | Artikeltext / Description | Abmessung |
|------|----------|-------|-------------------------------------|---------------------------|
| 1 | F01 0609 | 1 | Gummipuffer Rubber buffer | 75/40 2xM12x37 2xD4,25 |
| 2 | F02 0431 | 1 | Aufschlagbügel Clamp | 150x420 |
| 3 | F02 0432 | 1 | Halter Holder | 20m SH re |
| 5 | 305 8709 | 2 | Scheibe Washer | 13 DIN125-A A2 |
| 6 | 30310030 | 2 | Sicherungsmutter Selflocking nut | NM12 DIN985-A4 |



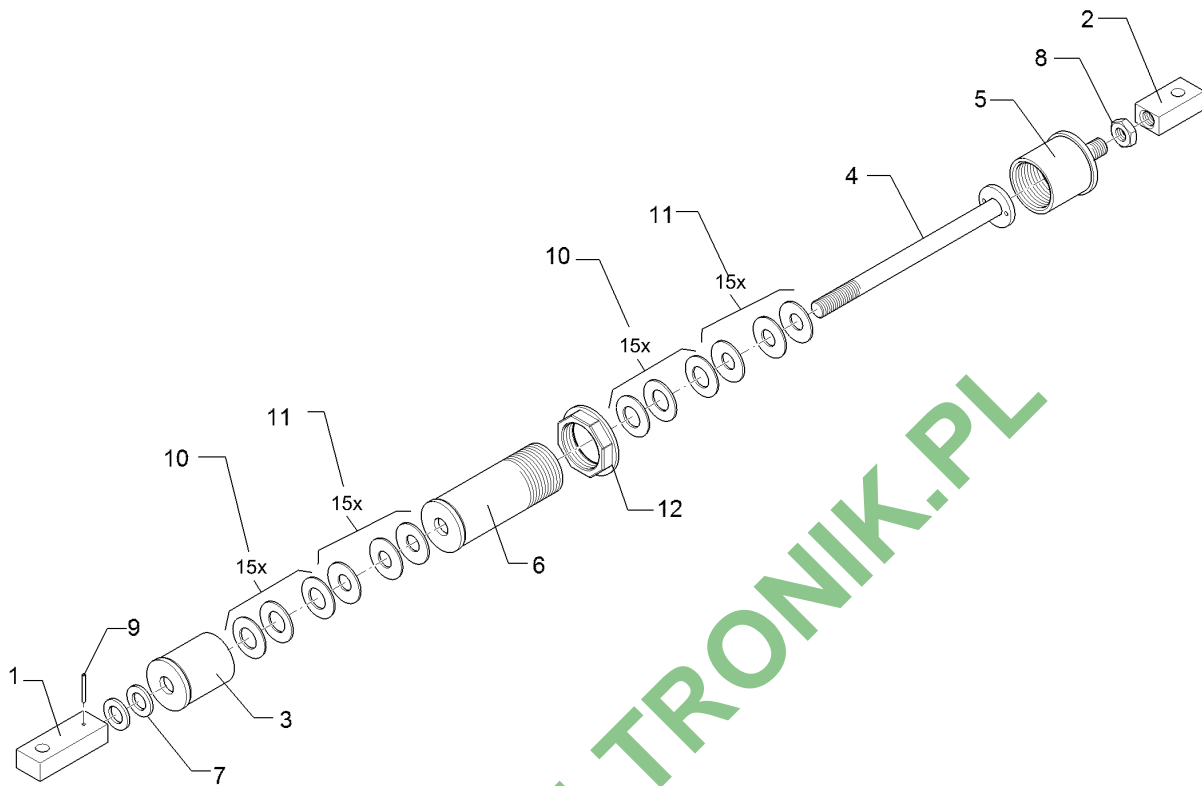
06.17

| Pos. | Art.Nr. | Stck. | Artikeltext / Description | Abmessung | |
|------|----------|-------|---------------------------|-----------------|------------------|
| 1 | F02 0951 | 1 | Konsole | Bracket | 94x106x409 |
| 2 | F02 1073 | 1 | Anschlag | Stop | 50x50x265 |
| 4 | 30110094 | 1 | Sechskantschraube | Hexagon bolt | M12x80-A2 DIN931 |
| 5 | 30310030 | 1 | Sicherungsmutter | Selflocking nut | NM12 DIN985-A4 |
| 6 | 305 8709 | 2 | Scheibe | Washer | 13 DIN125-A A2 |



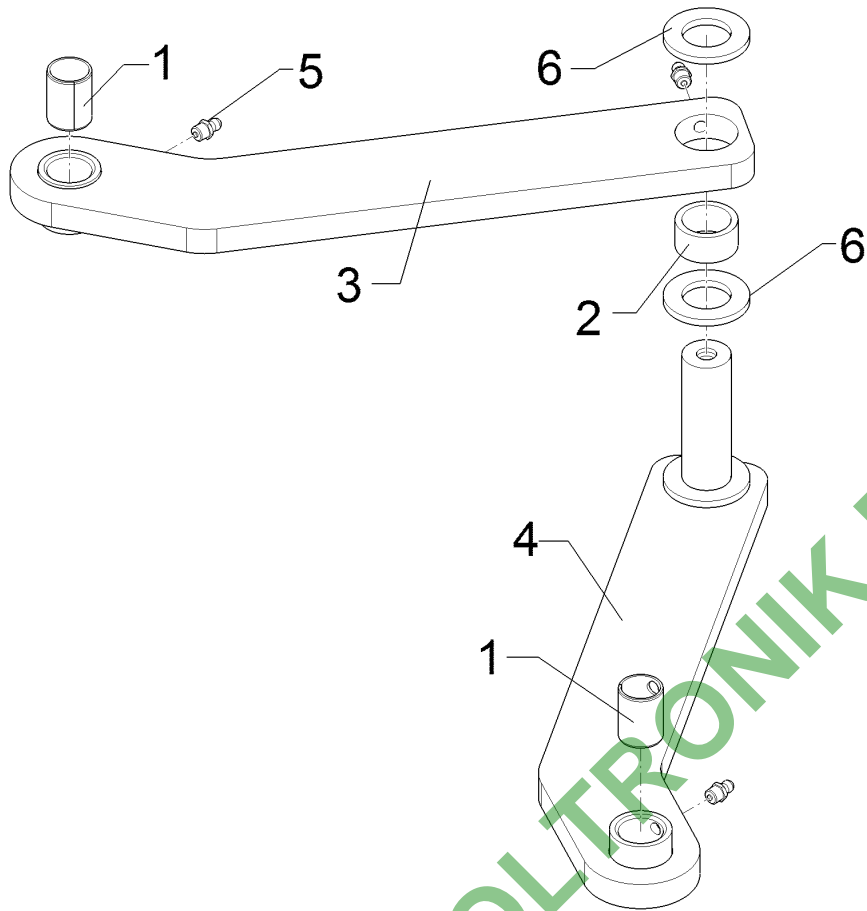
06.17

| Pos. | Art.Nr. | Stck. | Artikeltext / Description | Abmessung | |
|------|----------|-------|---------------------------|-----------------|------------------------|
| 1 | F01 0713 | 1 | Hülse | Bushing | D50/12,5x39,5 1M8 |
| 2 | F01 0714 | 1 | Seilrolle | Rope pulley | D110/80/50,2x38,5 |
| 3 | F02 1072 | 1 | Käfig | f. Umlenkrolle | 60x60x195 |
| 4 | 301 7518 | 1 | Sechskantschraube | Hexagon bolt | M8x25-A2 DIN933 |
| 5 | 30110094 | 1 | Sechskantschraube | Hexagon bolt | M12x80-A2 DIN931 |
| 6 | 30310030 | 1 | Sicherungsmutter | Selflocking nut | NM12 DIN985-A4 |
| 7 | 305 8709 | 1 | Scheibe | Washer | 13 DIN125-A A2 |
| 8 | 30510102 | 1 | Federring | Spring ring | 8 Form B-V2A DIN127 |
| 9 | 309 3470 | 1 | Spannhülse | Expansion bush | 8x40 A2 DIN1481 |



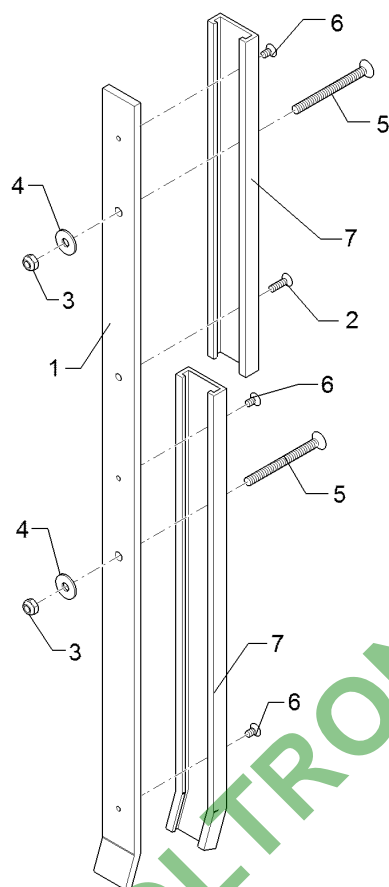
06.17

| Pos. | Art.Nr. | Stck. | Artikeltext / Description | Abmessung | |
|------|----------|-------|---------------------------|-------------------|------------------------|
| 1 | F01 1130 | 1 | Gewindelasche | Threaded lashing | - |
| 2 | F01 1132 | 1 | Gewindestück | Threaded piece | 57x20x30 M16 d12,25 |
| 3 | F02 1172 | 1 | Schutzhülse | Bushing | - |
| 4 | F02 1174 | 1 | Bolzen | Pin | M16x224 |
| 5 | F02 1175 | 1 | Verstellkörper | Horizontaldämpfer | - |
| 6 | F02 1213 | 1 | Führung | Guiding | 48,3x125 G11/2ZL |
| 7 | 305 6142 | 2 | Scheibe | Washer | B17/30x3 DIN125 A2 |
| 8 | 303 1020 | 1 | Sechskantmutter | Hexagon nut | M16 DIN936-8 Zn |
| 9 | 30910041 | 1 | Spannhülse | Expansion bush | 3x30-DIN1481-A2 |
| 10 | 32910063 | 30 | Tellerfeder | Cup spring | 40/20,4x2 DIN2093 |
| 11 | 32910062 | 30 | Tellerfeder | Cup spring | 40/16,3x2 DIN2093 |
| 12 | 37810673 | 1 | Mutter | Nut | G1-1/2ZLI |



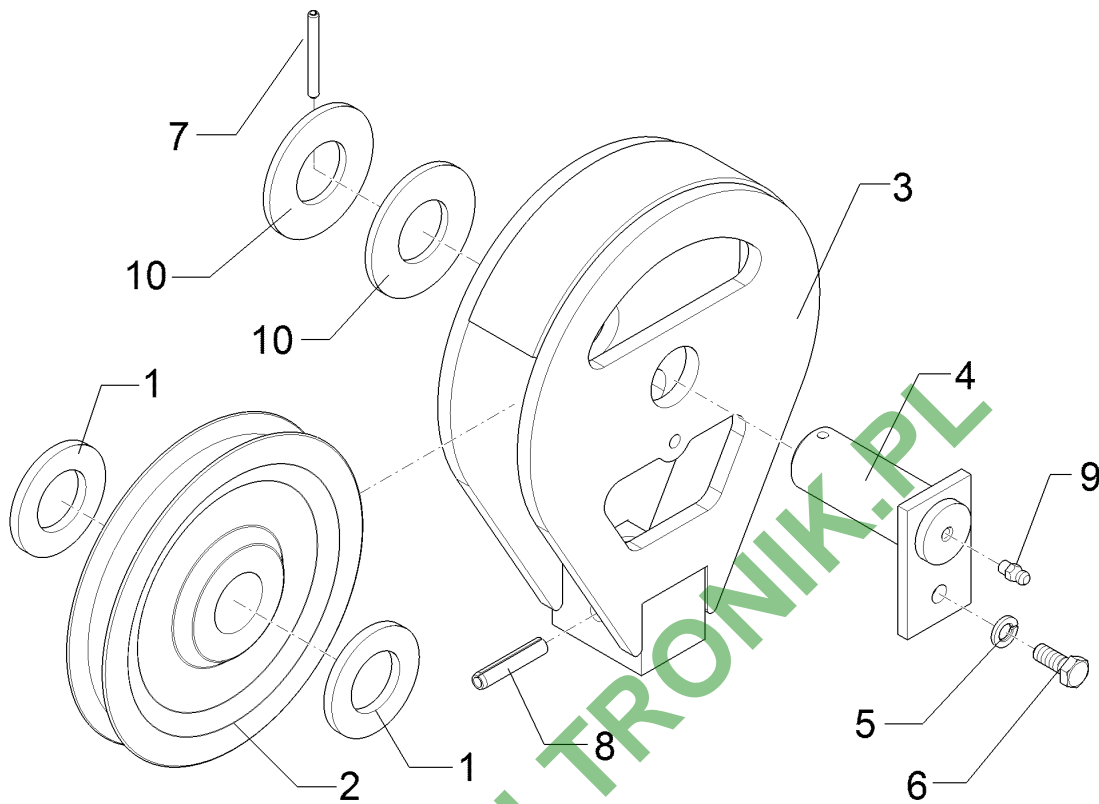
06.17

| Pos. | Art.Nr. | Stck. | Artikeltext / Description | Abmessung | |
|------|----------|-------|---------------------------|----------------|---------------------------|
| 1 | F01 0490 | 2 | Gleitlager | Sleeve bearing | d20/23x30 |
| 2 | F01 1176 | 1 | Distanzbuchse | Distance bush | D32/25x16 |
| 3 | F02 0760 | 1 | Hebel | Lever | 60x15x374 d32 d22,7 |
| 4 | F02 0761 | 1 | Hebel | Lever | 60x15x374 D20 d22,7 |
| 5 | F25 0493 | 3 | Schmiernippel | Grease nipple | H1 M8x1,25 Zn DIN71412 |
| 6 | 305 6254 | 2 | Scheibe | Washer | D25/44x4 Zn ISO7089 |



06.17

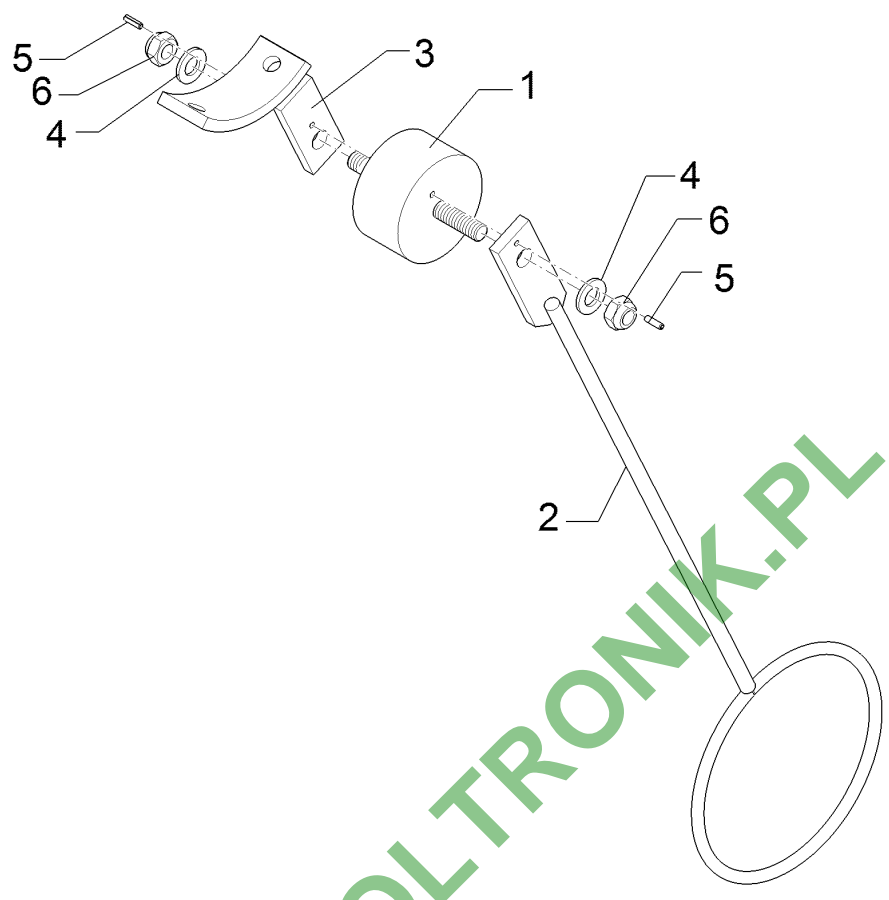
| Pos. | Art.Nr. | Stck. | Artikeltext / Description | Abmessung |
|------|----------|-------|---------------------------|-------------------------|
| 1 | F01 4841 | 1 | Platte | - |
| 2 | 30110617 | 1 | Senkschraube | M6x20 DIN965 A2 |
| 3 | 30310043 | 2 | Sicherungsmutter | NM8 DIN985-A4 |
| 4 | 305 6125 | 6 | Scheibe | D8,4/24x2 A2 DIN9021 |
| 5 | 30110623 | 2 | Senkschraube | M8x90 DIN965 A2 |
| 6 | 30110615 | 4 | Senkschraube | M6x10 DIN965 A2 |
| 7 | F65 0422 | 1 | Handlauf | 40x8x495 PE-UHMW gr |
| 8 | F65 0427 | 1 | Handlauf | 40x8x365 PE-UHMW gr |



06.17

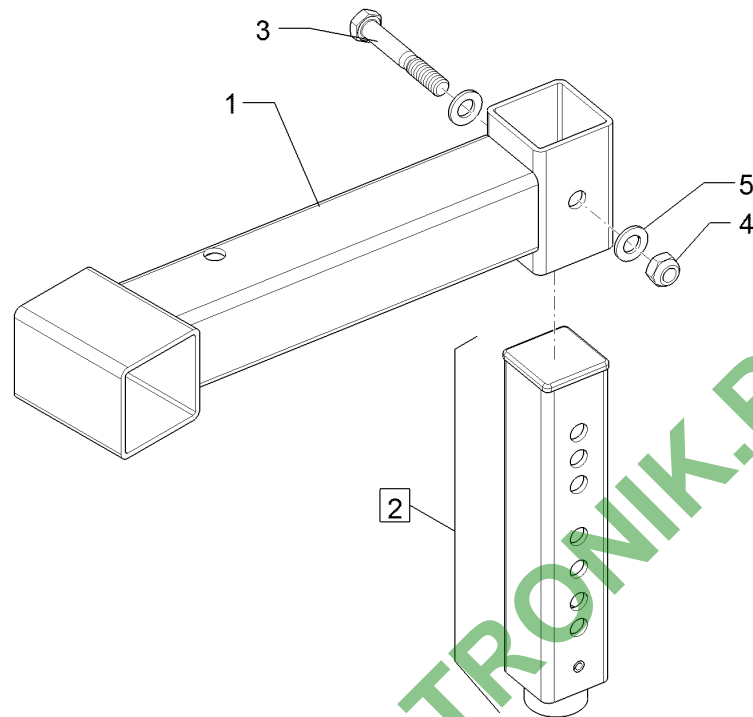
| Pos. | Art.Nr. | Stck. | Artikeltext / Description | Abmessung | |
|------|----------|-------|-----------------------------|----------------|------------------------|
| 1 | F01 1424 | 2 | Anlaufscheibe | Thrust washer | D55/30,5x5 |
| 2 | F01 3057 | 1 | Seilrolle | Rope pulley | D163/30x30 R7,5 |
| 3 | F02 1080 | 1 | Käfig | f. Umlenkrolle | HX/SH20-24 |
| 4 | F02 1087 | 1 | Bolzen mit Verdrehsicherung | Pin with stop | D30x85 |
| 5 | 305 9898 | 1 | Federring | Spring ring | 8 A DIN127 Zn |
| 6 | 301 6750 | 1 | Sechskantschraube | Hexagon bolt | M8x20-8.8 Zn DIN933 |
| 7 | 30910037 | 1 | Spannhülse | Expansion bush | 5x45-DIN1481-A2 |
| 8 | 309 3470 | 1 | Spannhülse | Expansion bush | 8x40 A2 DIN1481 |
| 9 | 323 6345 | 1 | Schmiernippel gerade | Grease nipple | LAM 6 DIN71412 |
| 10 | 30510072 | 2 | Scheibe | Washer | 31 DIN125 St-Zn |

| | |
|------------------------------------|-----------------|
| Aufschlagbügel/Clamp | 6 |
| EuroTrain 2600 TC / 3500 TC | F03 0609 |



06.17

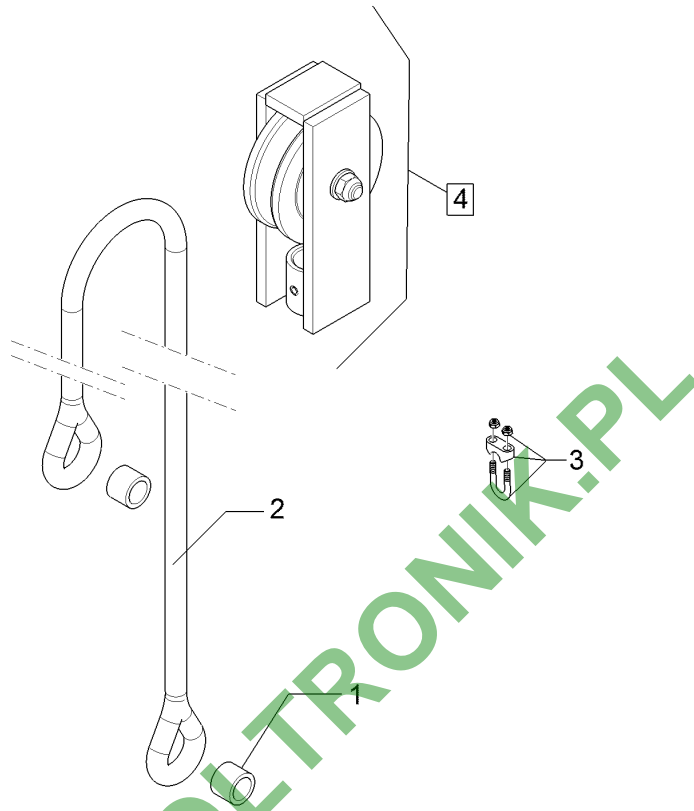
| Pos. | Art.Nr. | Stck. | Artikeltext / Description | Abmessung |
|------|----------|-------|-------------------------------------|---------------------------|
| 1 | F01 0609 | 1 | Gummipuffer Rubber buffer | 75/40 2xM12x37 2xD4,25 |
| 2 | F02 0431 | 1 | Aufschlagbügel Clamp | 150x420 |
| 3 | F02 4712 | 1 | Halter Holder | 20m SH li |
| 4 | 305 8709 | 2 | Scheibe Washer | 13 DIN125-A A2 |
| 5 | 30910040 | 2 | Spannhülse Expansion bush | 4x14-DIN1481-A2 |
| 6 | 30310030 | 2 | Sicherungsmutter Selflocking nut | NM12 DIN985-A4 |



06.17

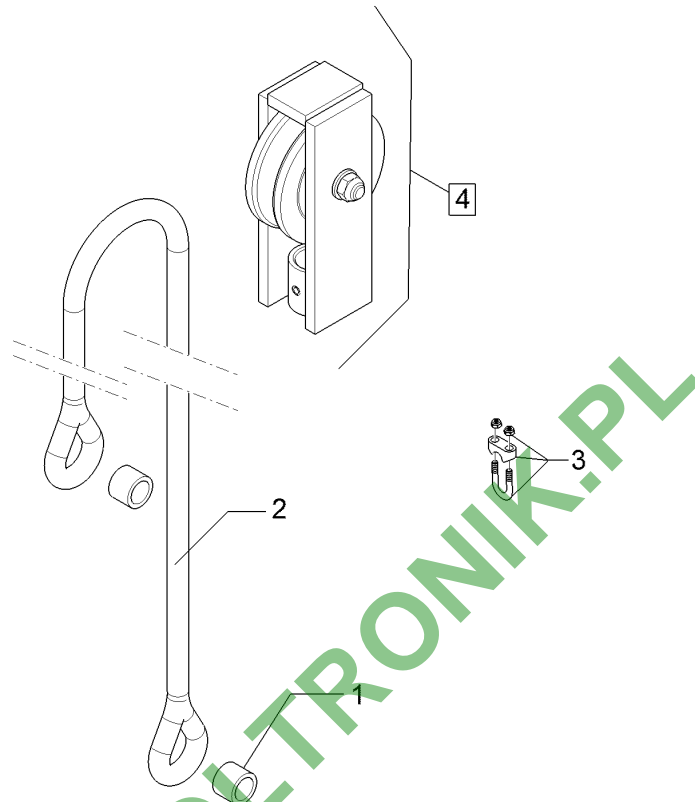
| Pos. | Art.Nr. | Stck. | Artikeltext / Description | Abmessung | |
|------|----------|-------|---------------------------|-----------------|------------------|
| 1 | F02 1073 | 1 | Anschlag | Stop | 50x50x265 |
| 2 | F02 0951 | 1 | Konsole | Bracket | 94x106x409 |
| 3 | 30110094 | 1 | Sechskantschraube | Hexagon bolt | M12x80-A2 DIN931 |
| 4 | 30310030 | 1 | Sicherungsmutter | Selflocking nut | NM12 DIN985-A4 |
| 5 | 305 8709 | 2 | Scheibe | Washer | 13 DIN125-A A2 |

| | |
|-----------------------------|----------|
| Umlenkrolle/Return pulley | 6 |
| EuroTrain 2600 TC / 3500 TC | F04 0141 |



06.17

| Pos. | Art.Nr. | Stck. | Artikeltext / Description | Abmessung | |
|------|----------|-------|---------------------------|-----------------|--------------------|
| 1 | F01 0464 | 2 | Hülse | Bushing | D26,5/19x20 |
| 2 | F01 1832 | 1 | Aufzugsseil | Cable | 16x1910 wh |
| 3 | F03 0304 | 1 | Umlenkrolle | Return pulley | D110x87,5x195 DI30 |
| 4 | F25 0417 | 6 | Seilklemme | Wire rope clamp | S13 |

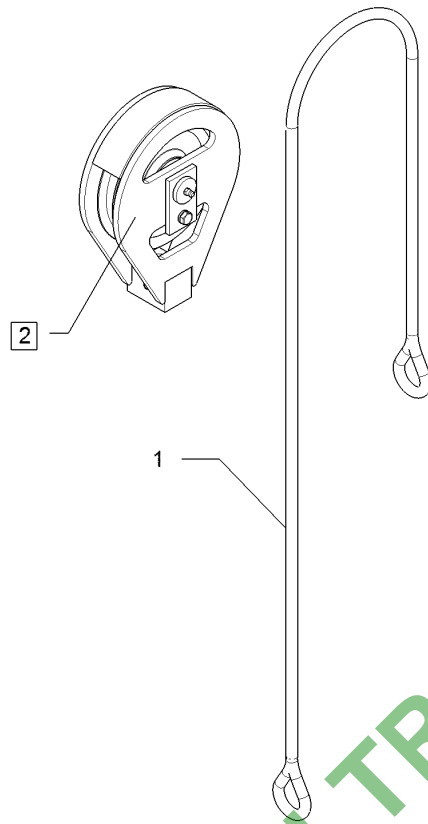


06.17

| Pos. | Art.Nr. | Stck. | Artikeltext / Description | Abmessung |
|------|----------|-------|---------------------------|--|
| 1 | F01 0464 | 2 | Hülse | Bushing |
| 2 | F01 1833 | 1 | Aufzugsseil | Cable |
| 3 | F03 0304 | 1 | Umlenkrolle | Return pulley |
| 4 | F25 0417 | 6 | Seilklemme | Wire rope clamp |
| | | | | D26,5/19x20 16x1940 wh D110x87,5x195 DI30 S13 |

| | |
|---------------------------|---|
| Umlenkrolle/Return pulley | 6 |
|---------------------------|---|

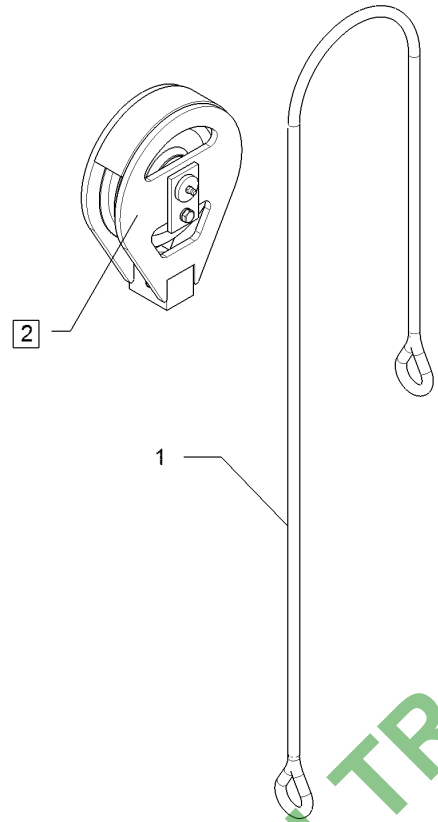
| | |
|-----------------------------|----------|
| EuroTrain 2600 TC / 3500 TC | F04 0145 |
|-----------------------------|----------|



06.17

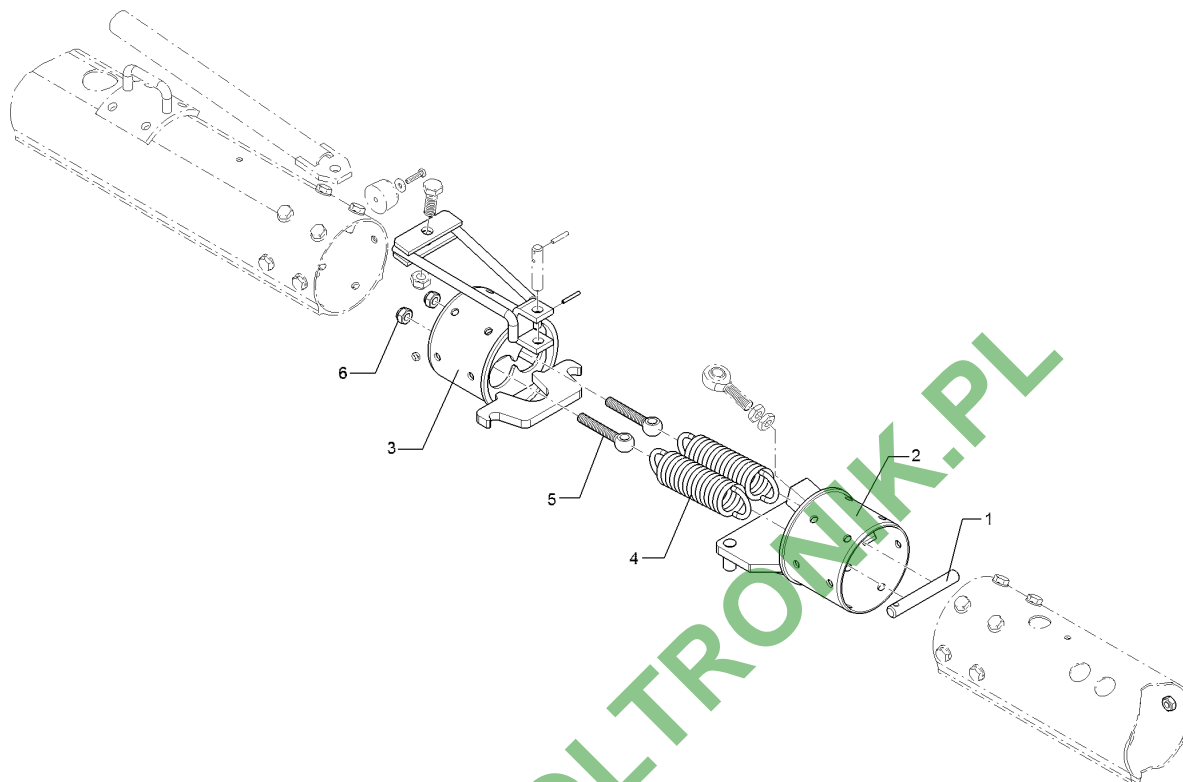
| Pos. | Art.Nr. | Stck. | Artikeltext / Description | Abmessung |
|------|----------|-------|---------------------------|-------------------|
| 1 | F02 1021 | 1 | Drahtseil | Wire rope |
| 2 | F03 0474 | 1 | Umlenkrolle | Return pulley |
| | | | | D12x1860 |
| | | | | KPL HX/DL/SH20-24 |

| | |
|-----------------------------|----------|
| Umlenkrolle/Return pulley | 6 |
| EuroTrain 2600 TC / 3500 TC | F04 0182 |



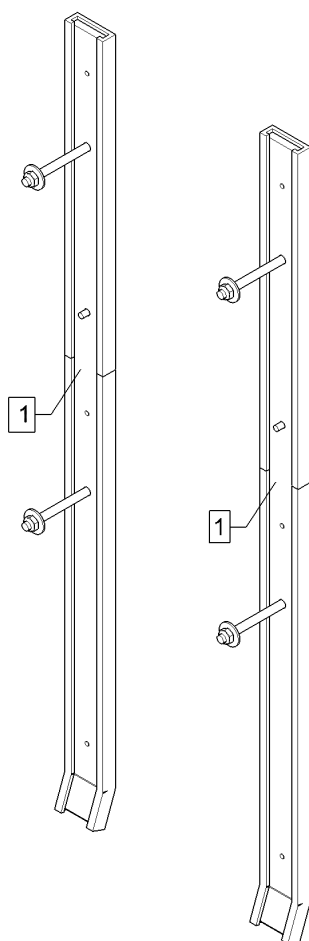
06.17

| Pos. | Art.Nr. | Stck. | Artikeltext / Description | Abmessung | |
|------|----------|-------|---------------------------|---------------|-------------------------------|
| 1 | F02 1563 | 1 | Drahtseil | Wire rope | |
| 2 | F03 0474 | 1 | Umlenkrolle | Return pulley | |
| | | | | | D12x2000 KPL HX/DL/SH20-24 |



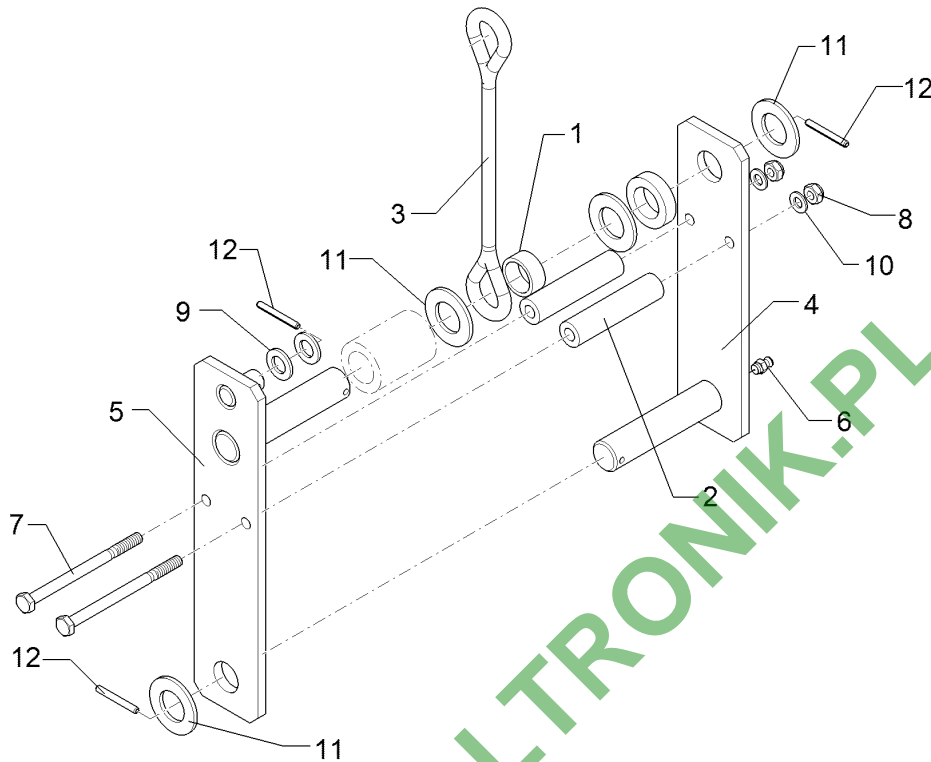
06.17

| Pos. | Art.Nr. | Stck. | Artikeltext / Description | Abmessung | |
|------|----------|-------|---------------------------|-----------------|-------------------|
| 1 | F01 0486 | 1 | Bolzen | Pin | D16x117 2x45GRD |
| 2 | F03 0595 | 1 | Ausweichgelenk | Joint | 170x151x133 |
| 3 | F03 0596 | 1 | Ausweichgelenk | Joint | HX i. |
| 4 | F25 0200 | 2 | Zugfeder | Spring | 45a.x6,5x150 V2A |
| 5 | 30110431 | 2 | Augenschraube | Eye bolt | BM12x80-A2 DIN444 |
| 6 | 30310030 | 2 | Sicherungsmutter | Selflocking nut | NM12 DIN985-A4 |



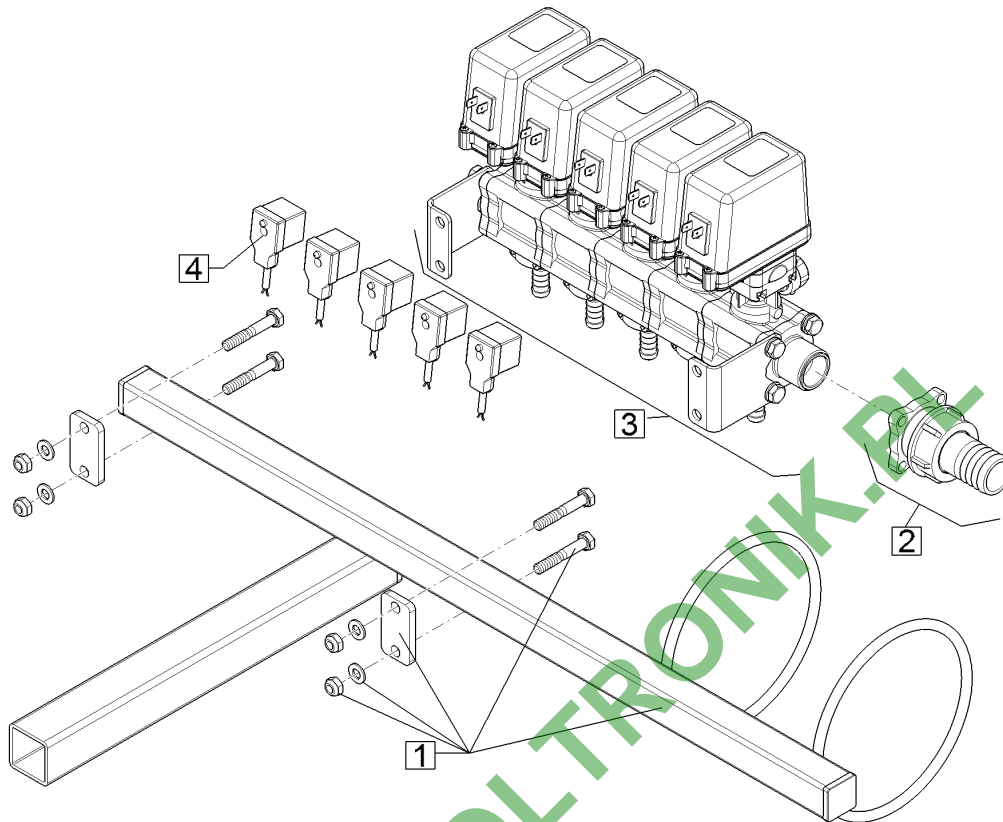
06.17

| Pos. | Art.Nr. | Stck. | Artikeltext / Description | Abmessung |
|------|----------|-------|---------------------------|-----------|
| 1 | F03 0401 | 2 | Anschlag Stop | KLP SH/EL |



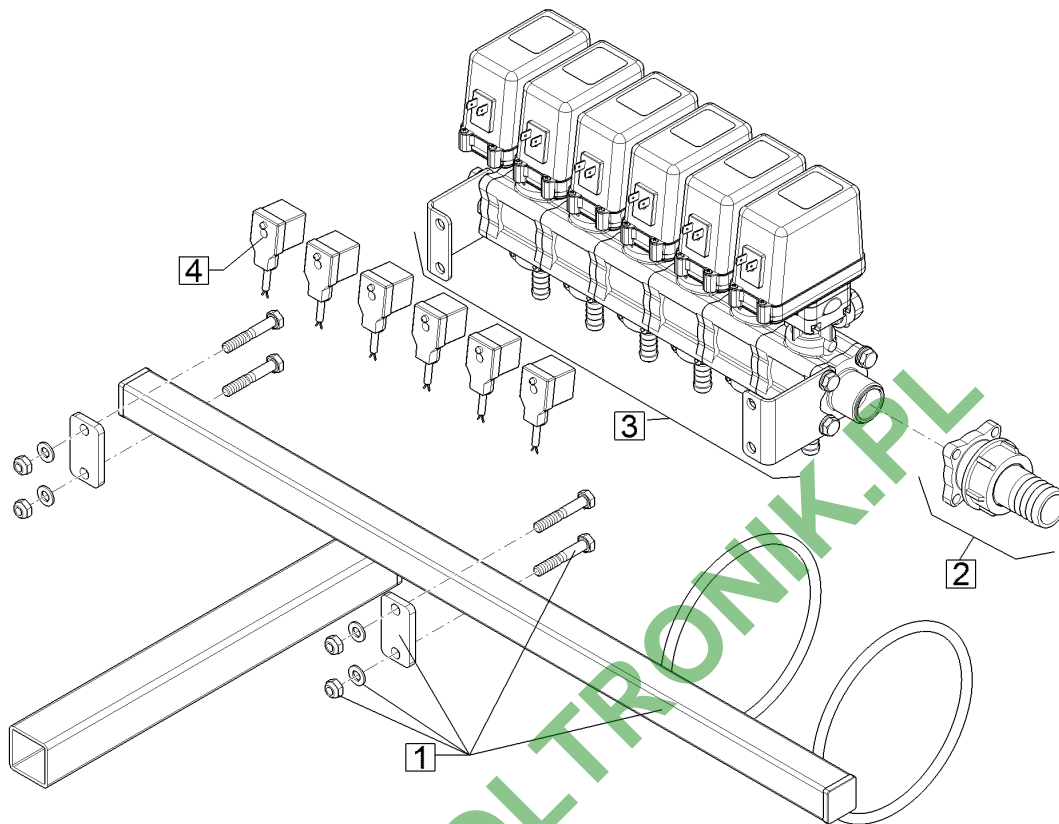
06.17

| Pos. | Art.Nr. | Stck. | Artikeltext / Description | Abmessung | |
|------|----------|-------|---------------------------|-------------------|---|
| 1 | F01 1202 | 1 | Hülse | Bushing | D38/30,5x16 |
| 2 | F01 2807 | 2 | Hülse | Bushing | D25x6,3x106 |
| 3 | F02 0774 | 1 | Drahtseil | Wire rope | D12x310 2xD40 |
| 4 | F02 0912 | 1 | Gelenkplatte | Articulated plate | 80x143x320 D30 |
| 5 | F02 0913 | 1 | Gelenkplatte | Articulated plate | 80x173x365 DB20 |
| 6 | F25 0493 | 1 | Schmiernippel | Grease nipple | DB30 2D11 D30, H1 M8x1,25 Zn DIN71412 |
| 7 | 30110407 | 2 | Sechskantschraube | Hexagon bolt | M10x140-A2 DIN931 |
| 8 | 30310029 | 2 | Sicherungsmutter | Selflocking nut | NM10 A4 DIN985 |
| 9 | 305 6017 | 2 | Scheibe | Washer | 21/37x3 A2 DIN125 |
| 10 | 305 8704 | 2 | Scheibe | Washer | A10,5 DIN125-St A2 |
| 11 | 30510072 | 3 | Scheibe | Washer | 31 DIN125 St-Zn |
| 12 | 30910022 | 3 | Spannhülse | Expansion bush | 6x50-DIN1481-A2 |



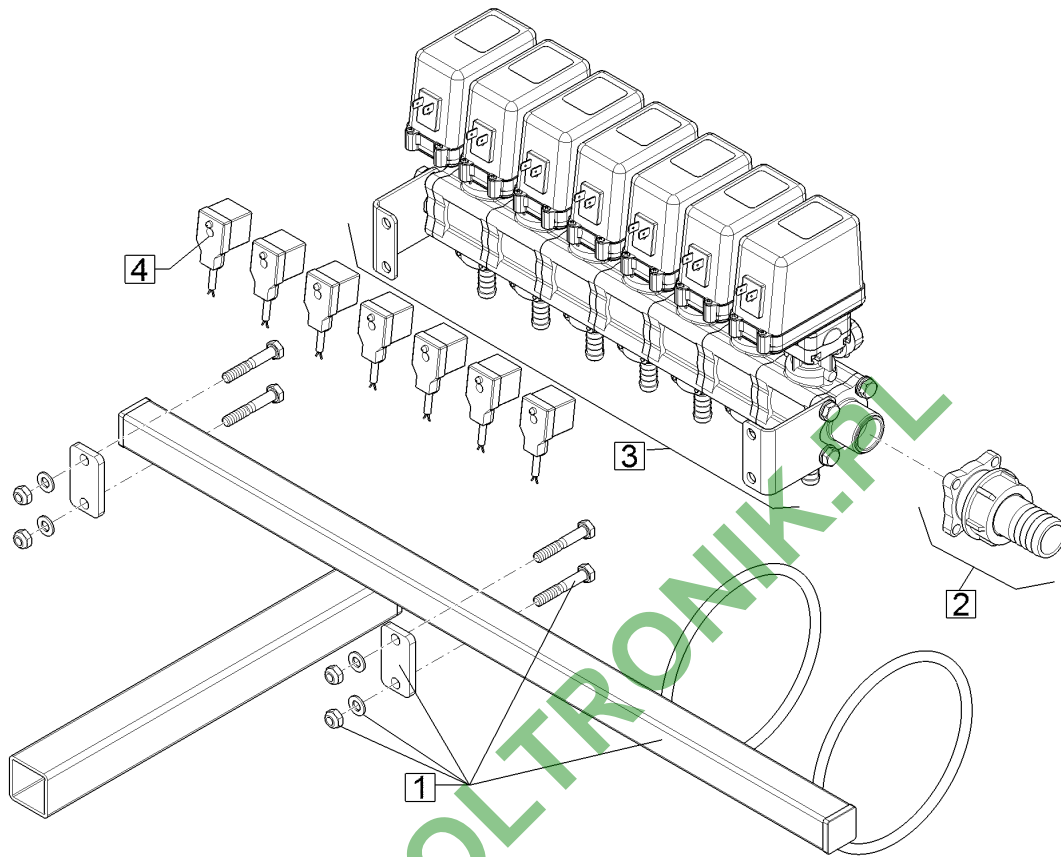
06.17

| Pos. | Art.Nr. | Stck. | Artikeltext / Description | | Abmessung |
|------|----------|-------|----------------------------|---------|---------------------|
| 1 | F06 0758 | 1 | Teilbreitenhahnehalterung | Holder | KPL ET |
| 2 | F06 0950 | 1 | Kit | Set | - |
| 3 | F61 3859 | 1 | Teilbreitenarmatur | Fitting | 5TB Elcomat Serie 4 |
| 4 | F61 3979 | 5 | Kabel | Cable | 8,5 m |



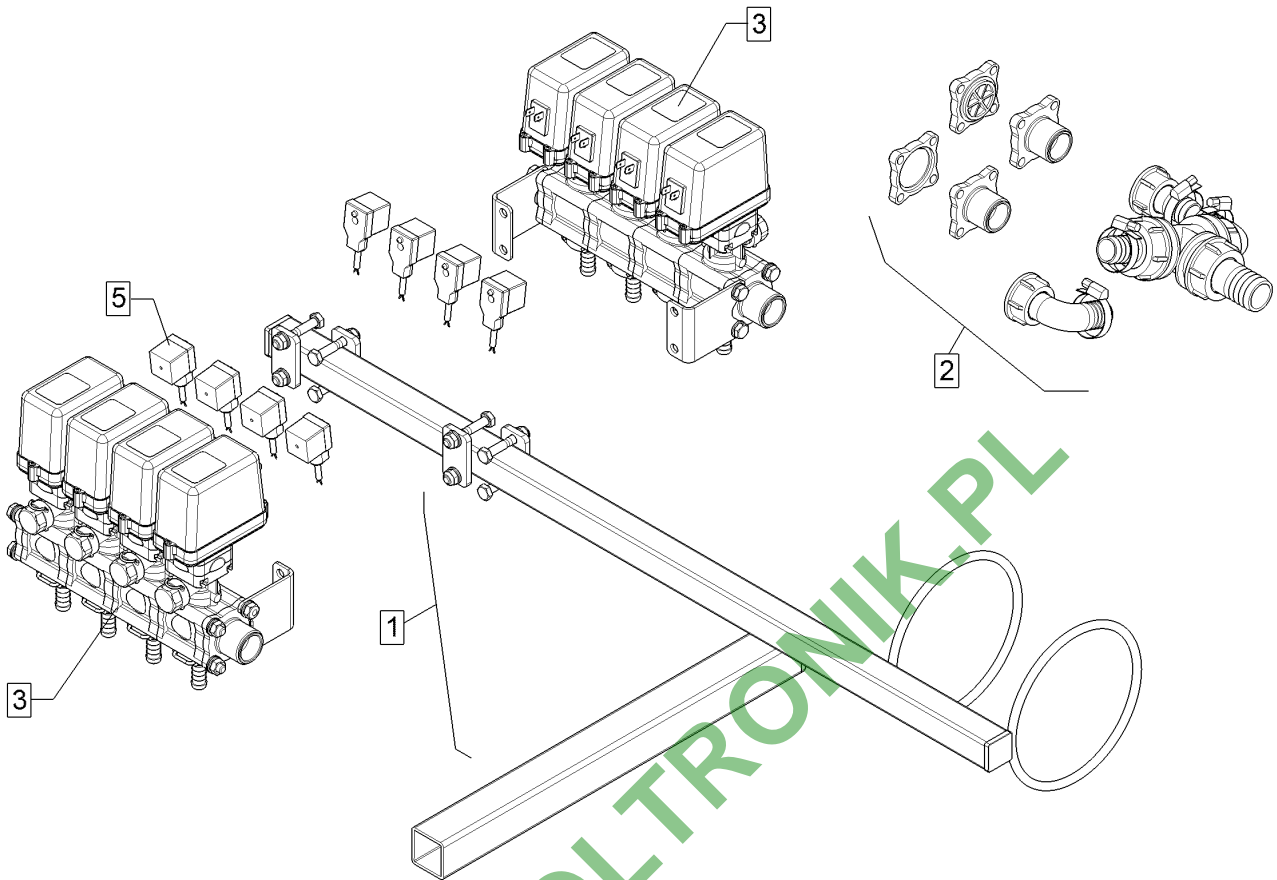
06.17

| Pos. | Art.Nr. | Stck. | Artikeltext / Description | | Abmessung |
|------|----------|-------|----------------------------|---------|---------------------|
| 1 | F06 0758 | 1 | Teilbreitenhahnehalterung | Holder | KPL ET |
| 2 | F06 0950 | 1 | Kit | Set | - |
| 3 | F61 3860 | 1 | Teilbreitenarmatur | Fitting | 6TB Elcomat Serie 4 |
| 4 | F61 3979 | 6 | Kabel | Cable | 8,5 m |



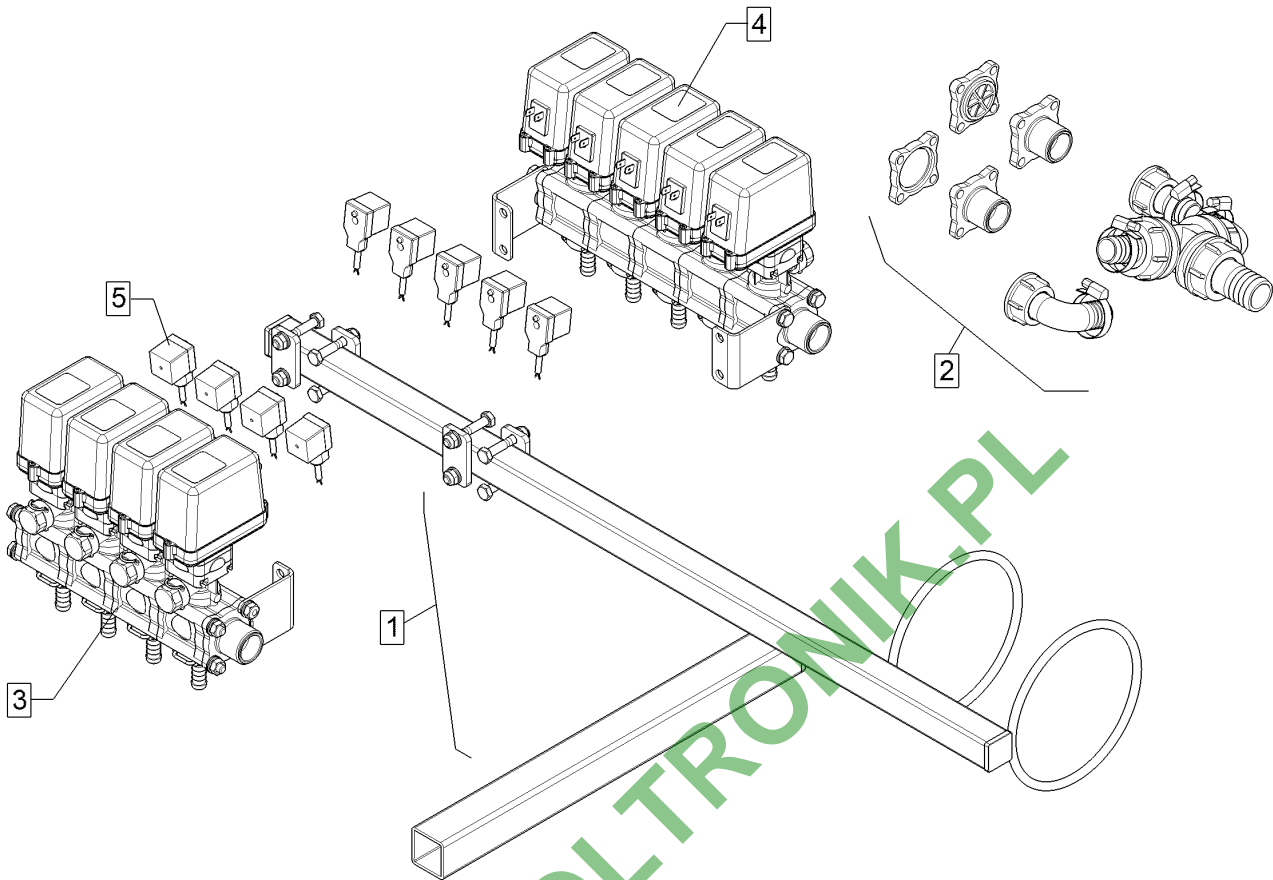
06.17

| Pos. | Art.Nr. | Stck. | Artikeltext / Description | | Abmessung |
|------|----------|-------|----------------------------|---------|---------------------|
| 1 | F06 0758 | 1 | Teilbreitenhahnehalterung | Holder | KPL ET |
| 2 | F06 0950 | 1 | Kit | Set | - |
| 3 | F61 3861 | 1 | Teilbreitenarmatur | Fitting | 7TB Elcomat Serie 4 |
| 4 | F61 3979 | 7 | Kabel | Cable | 8,5 m |



06.17

| Pos. | Art.Nr. | Stck. | Artikeltext / Description | | Abmessung |
|------|----------|-------|----------------------------|---------|---------------------|
| 1 | F06 0759 | 1 | Teilbreitenhahnehalterung | Holder | KPL ET |
| 2 | F06 0940 | 1 | Kit | Set | - |
| 3 | F61 3858 | 2 | Teilbreitenarmatur | Fitting | 4TB Elcomat Serie 4 |
| 4 | F61 3979 | 8 | Kabel | Cable | 8,5 m |

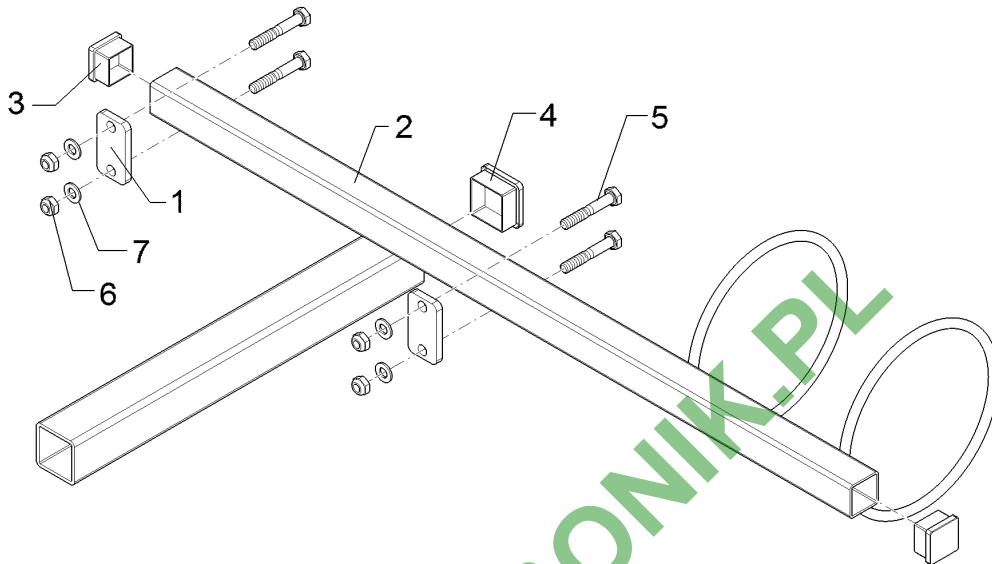


06.17

| Pos. | Art.Nr. | Stck. | Artikeltext / Description | | Abmessung |
|------|----------|-------|-----------------------------|---------|-----------------------------------|
| 1 | F06 0759 | 1 | Teilbreitenhahnelhalterung | Holder | KPL ET |
| 2 | F06 0940 | 1 | Kit | Set | - |
| 3 | F61 3858 | 1 | Teilbreitenarmatur | Fitting | 4TB Elcomat

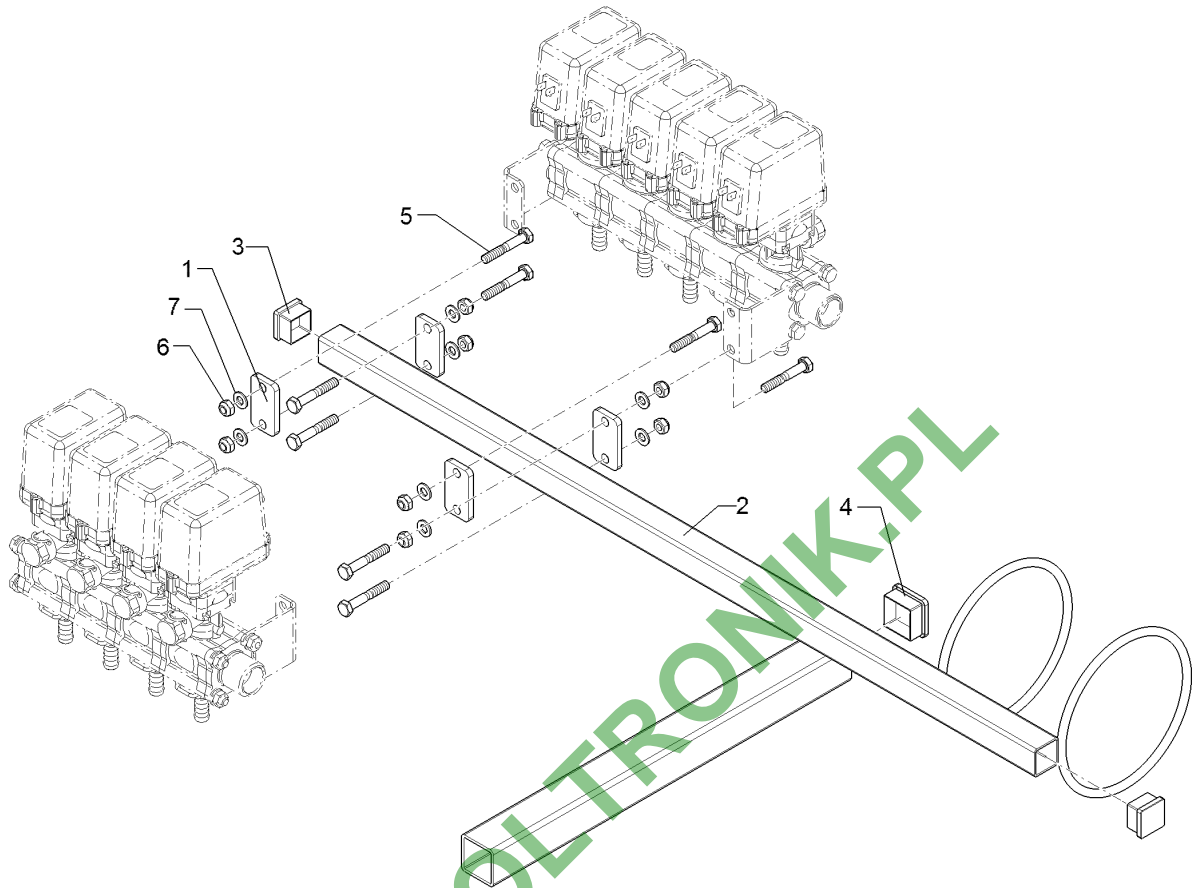
 Serie 4 |
| 4 | F61 3859 | 1 | Teilbreitenarmatur | Fitting | 5TB Elcomat

 Serie 4 |
| 5 | F61 3979 | 9 | Kabel | Cable | 8,5 m |



06.17

| Pos. | Art.Nr. | Stck. | Artikeltext / Description | Abmessung | |
|------|----------|-------|---------------------------|-----------------|-----------------|
| 1 | F01 1096 | 2 | Platte | Plate | 30x6x55 2xD9-40 |
| 2 | F02 0753 | 1 | Halter | Holder | 740x536x166 |
| 3 | F55 0139 | 2 | Stopfen | Plug | 30x30x1.5-2 |
| 4 | F55 0141 | 1 | Stopfen | Plug | 40x40x3 |
| 5 | 30110138 | 4 | Sechskantschraube | Hexagon bolt | M8x50-A2 DIN931 |
| 6 | 30310043 | 4 | Sicherungsmutter | Selflocking nut | NM8 DIN985-A4 |
| 7 | 305 8695 | 4 | Scheibe | Washer | A8,4 DIN125 A2 |



06.17

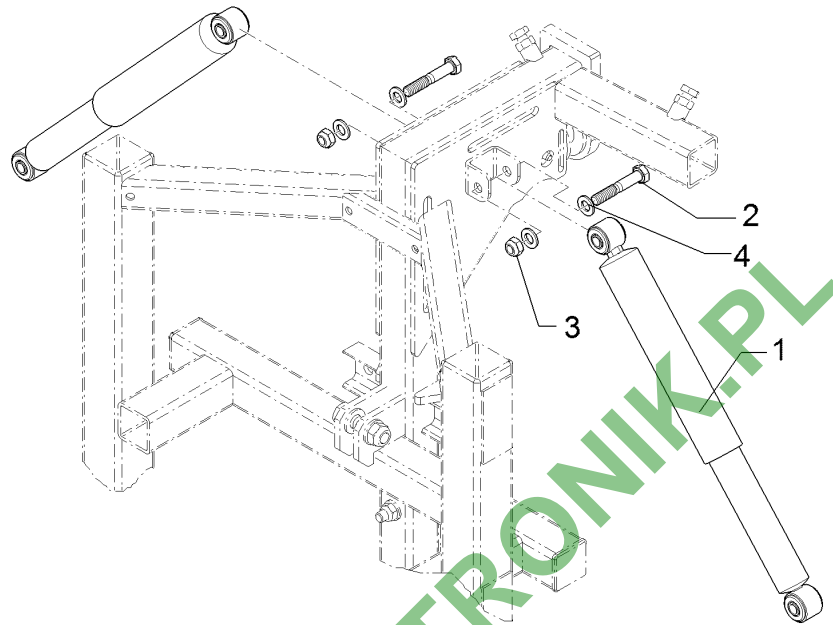
| Pos. | Art.Nr. | Stck. | Artikeltext / Description | Abmessung | |
|------|----------|-------|---------------------------|-----------------|-----------------|
| 1 | F01 1096 | 4 | Platte | Plate | 30x6x55 2xD9-40 |
| 2 | F02 0816 | 1 | Halter | Holder | 900x616x166 |
| 3 | F55 0139 | 2 | Stopfen | Plug | 30x30x1.5-2 |
| 4 | F55 0141 | 1 | Stopfen | Plug | 40x40x3 |
| 5 | 30110138 | 8 | Sechskantschraube | Hexagon bolt | M8x50-A2 DIN931 |
| 6 | 30310043 | 8 | Sicherungsmutter | Selflocking nut | NM8 DIN985-A4 |
| 7 | 305 8695 | 8 | Scheibe | Washer | A8,4 DIN125 A2 |

Stoßdämpfer/Shock absorber

6

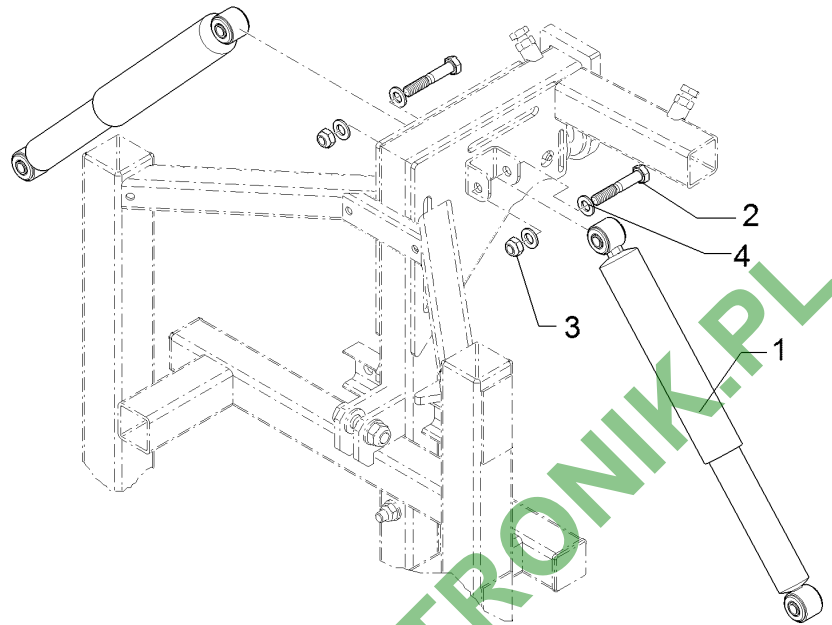
EuroTrain 2600 TC / 3500 TC

F06 0886



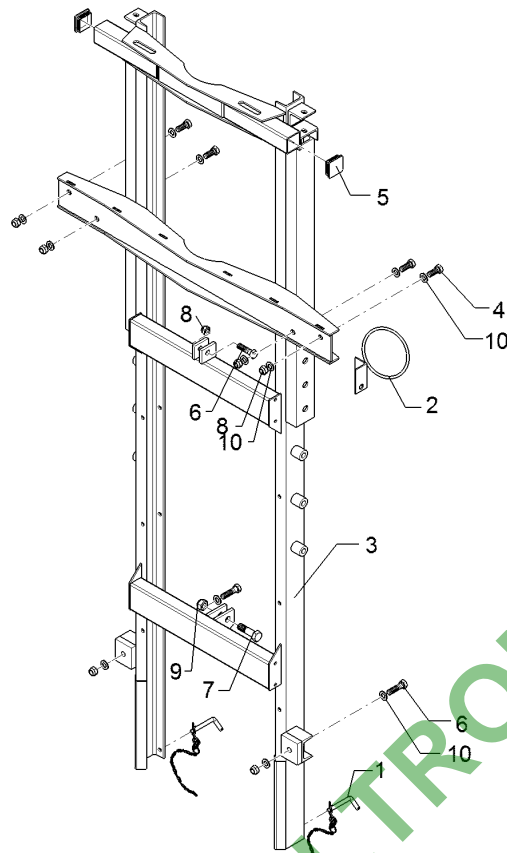
06.17

| Pos. | Art.Nr. | Stck. | Artikeltext / Description | Abmessung | |
|------|----------|-------|---------------------------|-----------------|------------------|
| 1 | F25 0477 | 2 | Stoßdämpfer | Shock absorber | 30x355-590 |
| 2 | 30110094 | 2 | Sechskantschraube | Hexagon bolt | M12x80-A2 DIN931 |
| 3 | 30310030 | 2 | Sicherungsmutter | Selflocking nut | NM12 DIN985-A4 |
| 4 | 305 8709 | 2 | Scheibe | Washer | 13 DIN125-A A2 |



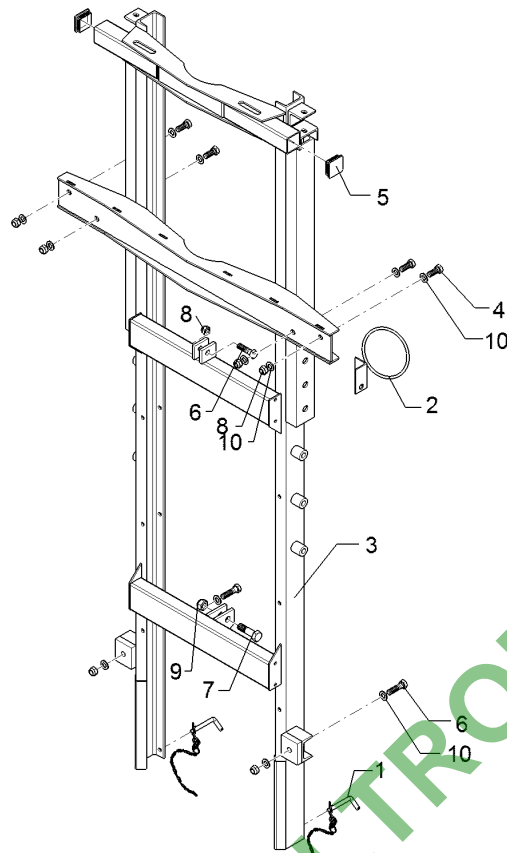
06.17

| Pos. | Art.Nr. | Stck. | Artikeltext / Description | Abmessung | |
|------|----------|-------|---------------------------|-----------------|------------------|
| 1 | F25 0476 | 2 | Stoßdämpfer | Shock absorber | SPH/SH15-18 |
| 2 | 30110094 | 2 | Sechskantschraube | Hexagon bolt | M12x80-A2 DIN931 |
| 3 | 30310030 | 2 | Sicherungsmutter | Selflocking nut | NM12 DIN985-A4 |
| 4 | 305 8709 | 2 | Scheibe | Washer | 13 DIN125-A A2 |



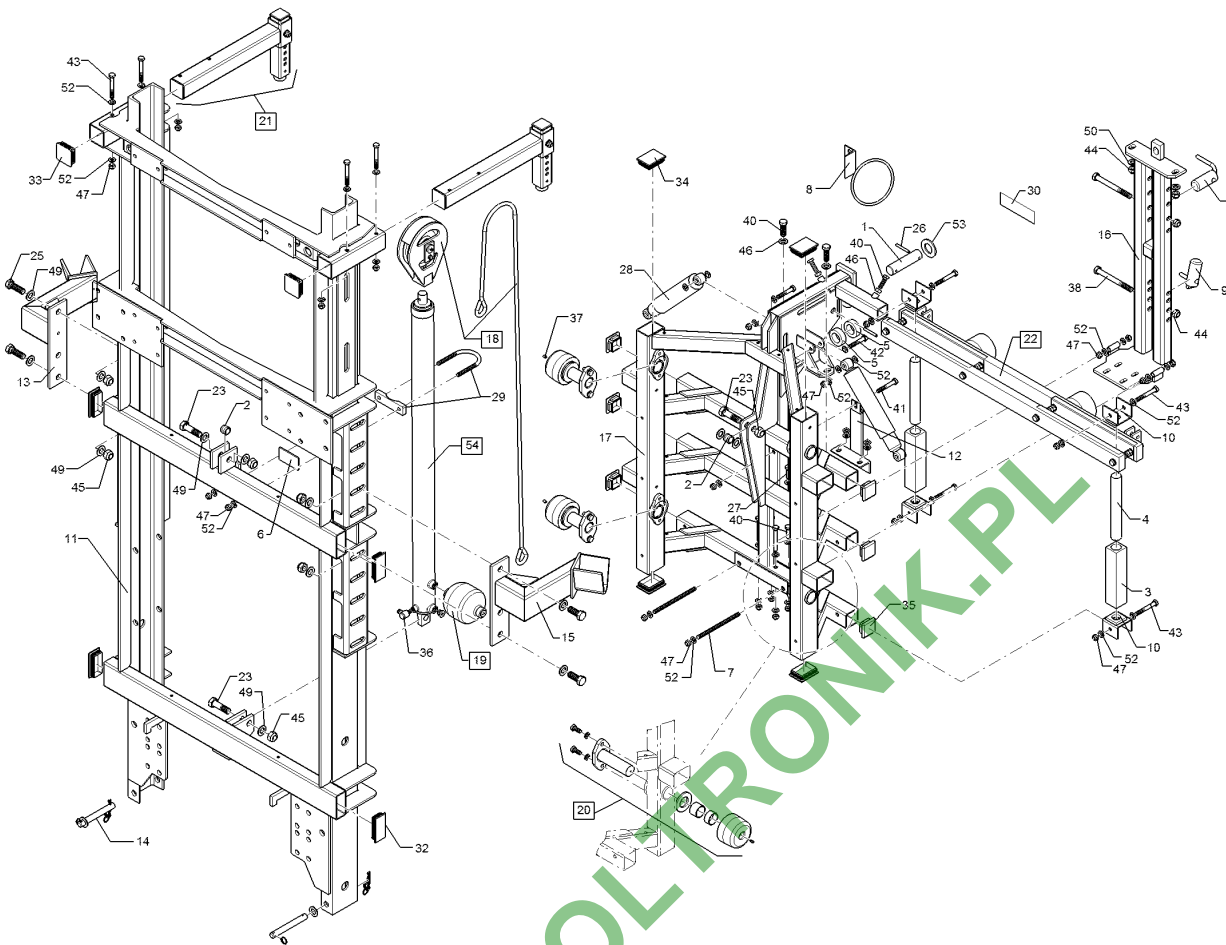
06.17

| Pos. | Art.Nr. | Stck. | Artikeltext / Description | Abmessung | |
|------|----------|-------|---------------------------|-----------------|-------------------------------|
| 1 | F02 0333 | 2 | Steckbolzen | Socket pin | D12x80 1xd4,5 |
| 2 | F02 0624 | 1 | Schlauchhalter | Hose carrier | 118x146x150 |
| 3 | F03 0285 | 1 | Hubmast | Lift mast | 187x1180x2785 SP/SPH/SH ET |
| 4 | F20 0591 | 4 | Sechskantschraube | Hexagon bolt | M16x40-8.8 Zn DIN933 |
| 5 | F55 0144 | 2 | Stopfen | Plug | 60x60x4 KST. bk |
| 6 | 301 3837 | 3 | Sechskantschraube | Hexagon bolt | M16x60-8.8 Zn DIN931-A |
| 7 | 301 4600 | 1 | Sechskantschraube | Hexagon bolt | M20x70x28-8.8 Zn DIN931-A |
| 8 | 303 0935 | 11 | Sicherungsmutter | Selflocking nut | NM16-8 Zn DIN985 |
| 9 | 303 0936 | 1 | Sicherungsmutter | Selflocking nut | NM20-8 Zn DIN985 |
| 10 | 305 6141 | 12 | Scheibe | Washer | 17/30x3 DIN/ISO-7089 |



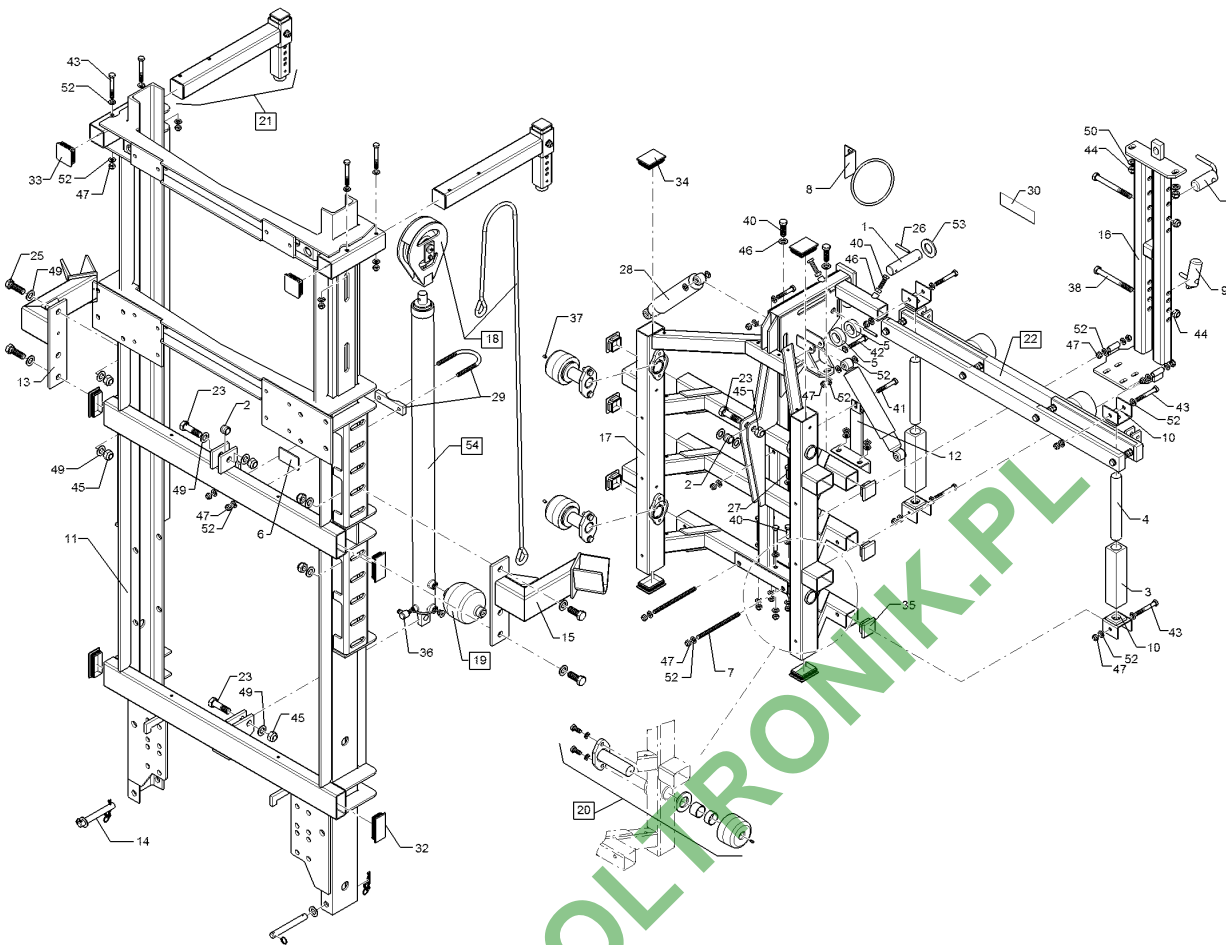
06.17

| Pos. | Art.Nr. | Stck. | Artikeltext / Description | Abmessung | |
|------|----------|-------|---------------------------|-----------------|-------------------------------|
| 1 | F02 0333 | 2 | Steckbolzen | Socket pin | D12x80 1xd4,5 |
| 2 | F02 0624 | 1 | Schlauchhalter | Hose carrier | 118x146x150 |
| 3 | F03 0285 | 1 | Hubmast | Lift mast | 187x1180x2785 SP/SPH/SH ET |
| 4 | F20 0591 | 4 | Sechskantschraube | Hexagon bolt | M16x40-8.8 Zn DIN933 |
| 5 | F55 0144 | 2 | Stopfen | Plug | 60x60x4 KST. bk |
| 6 | 301 3837 | 3 | Sechskantschraube | Hexagon bolt | M16x60-8.8 Zn DIN931-A |
| 7 | 301 4600 | 1 | Sechskantschraube | Hexagon bolt | M20x70x28-8.8 Zn DIN931-A |
| 8 | 303 0935 | 7 | Sicherungsmutter | Selflocking nut | NM16-8 Zn DIN985 |
| 9 | 303 0936 | 1 | Sicherungsmutter | Selflocking nut | NM20-8 Zn DIN985 |
| 10 | 305 6141 | 12 | Scheibe | Washer | 17/30x3 DIN/ISO-7089 |



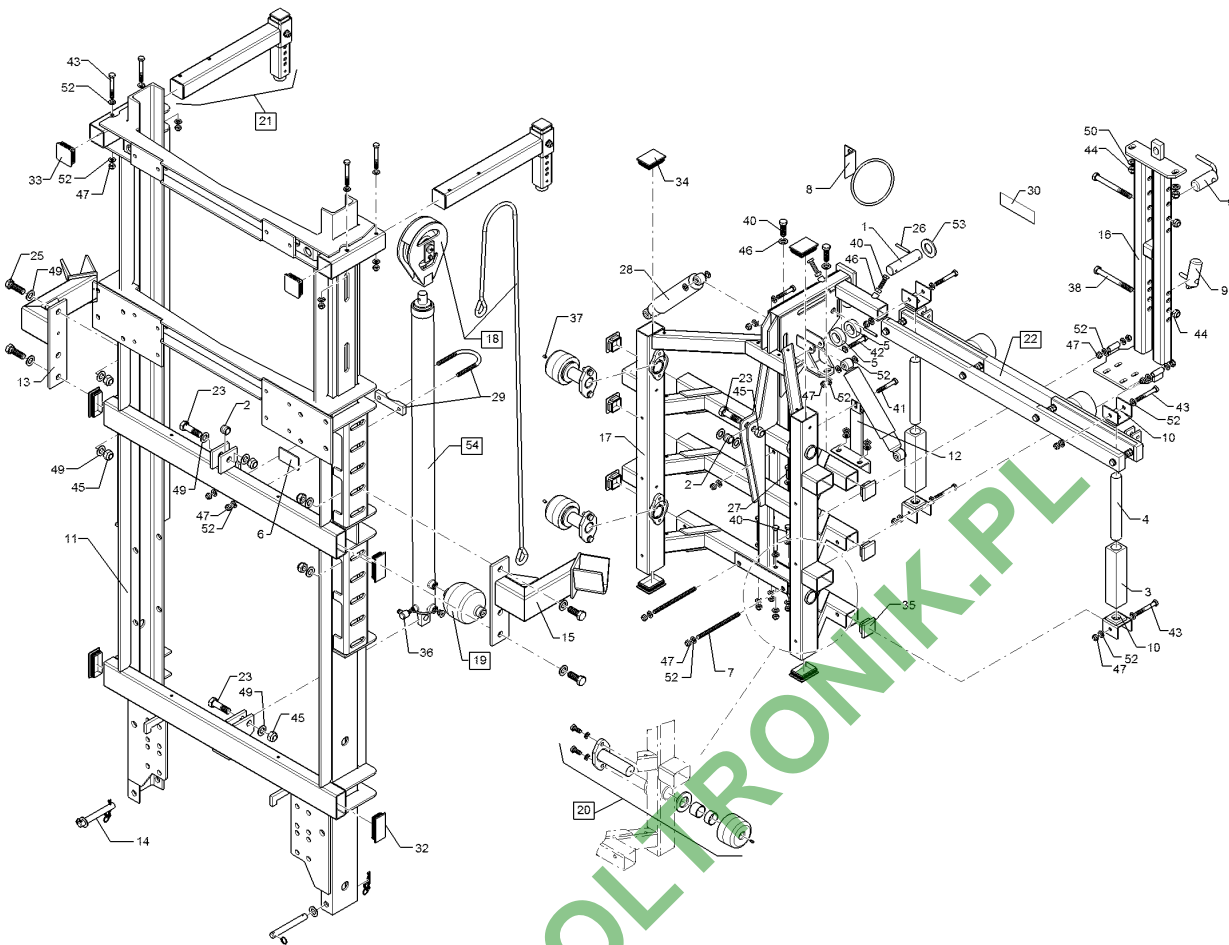
06.17

| Pos. | Art.Nr. | Stck. | Artikeltext / Description | Abmessung | |
|------|----------|-------|---------------------------|----------------------|------------------------------|
| 1 | F01 1469 | 1 | Bolzen | Pin | D35x140 2d8 |
| 2 | F01 1470 | 2 | Führungshülse | Bushing | D27,5/20,5x21 A2 |
| 3 | F01 1473 | 2 | Führung | Guiding | Schlitten HX/DL d35,5 |
| 4 | F01 1474 | 2 | Bolzen | Pin | D35x258 |
| 5 | F01 1497 | 2 | Hülse | Bushing | D60/37x19 |
| 6 | F01 1837 | 1 | Unterlage | Plate | 50x90x5 NBR 45 schwarz |
| 7 | F01 2128 | 2 | Gewindestange | Threaded rod | M12x195 A2 DIN975 |
| 8 | F02 0624 | 1 | Schlauchhalter | Hose carrier | 118x146x150 |
| 9 | F02 0683 | 2 | Bolzen | Pin | D40x90 d16,4 |
| 10 | F02 0907 | 4 | Halter | Holder | 60x70x70 1xD30 2xD13 LI61 |
| 11 | F02 1666 | 1 | Hubmast | Lift mast | 265x1160x2900 |
| 12 | F02 1679 | 1 | Führung | Guiding | 75x140x260 |
| 13 | F02 1703 | 1 | Konsole | Bracket | 243x330x376,6 3xd21 re. |
| 14 | F02 1704 | 2 | Bolzen | Pin | D20x125 |
| 15 | F02 4805 | 1 | Transportaufnahme | Holder | 243x330x376,6 3xd21 li. |
| 16 | F03 0461 | 1 | Pendelführung | Pendulum guiding | 228x230x875 f. HX |
| 17 | F03 0591 | 1 | Schlitten | Slide | HX/DLA 630x930x1125 |
| 18 | F04 0182 | 1 | Umlenkrolle | Return pulley | 94,8x172,6x1560 |
| 19 | F06 1459 | 1 | Druckspeicher | Pressure accumulator | HX/DL 21-27 |
| 20 | F06 1672 | 4 | Rollenführung | Guide rollers | KPL HX/DL |



06.17

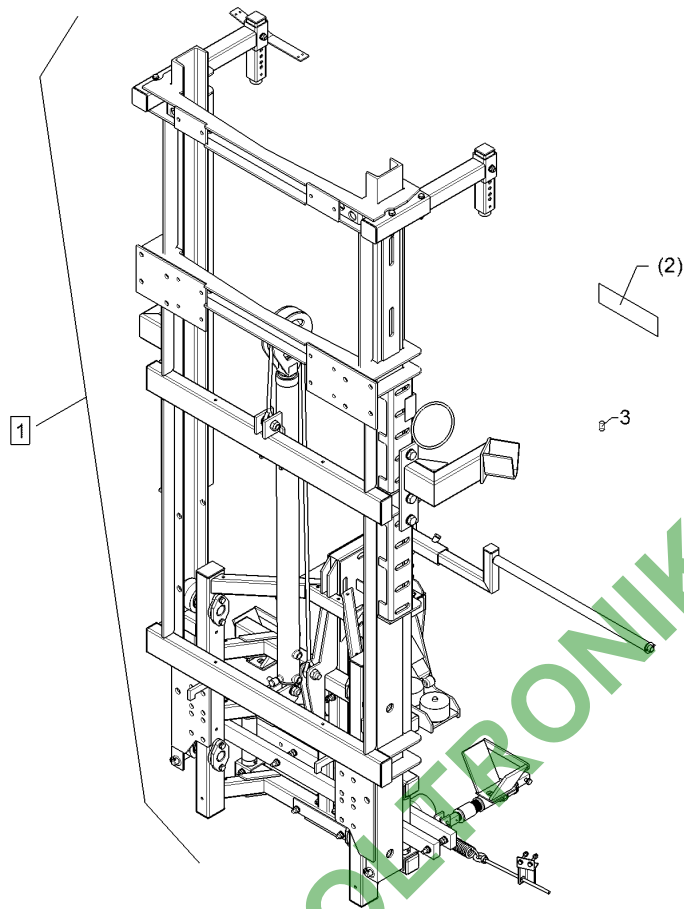
| Pos. | Art.Nr. | Stck. | Artikeltext / Description | Abmessung | |
|------|----------|-------|----------------------------|-------------------|------------------------------|
| 21 | F06 1825 | 2 | Anschlag | Stop | 87,5x265x525 HX/DL li. |
| 22 | F13 0125 | 1 | Gleitschiene | Sliding part | 100x201x1135 |
| 23 | 301 4600 | 3 | Sechskantschraube | Hexagon bolt | M20x70x28-8.8 Zn DIN931-A |
| 24 | 301 5406 | 4 | Sechskantschraube | Hexagon bolt | M16x50-8.8 Zn DIN933 |
| 25 | 301 4231 | 6 | Sechskantschraube | Hexagon bolt | M20x50-8.8 Zn DIN933 |
| 26 | 30910034 | 2 | Spannhülse | Expansion bush | 8x60-DIN1481-A2 |
| 27 | 30110148 | 2 | Sechskantschraube | Hexagon bolt | M12x50-A2 DIN933 |
| 28 | F25 0477 | 2 | Stoßdämpfer | Shock absorber | 30x355-590 |
| 29 | F25 0519 | 1 | Rundstahlbügel | Round steel clamp | RB 76,1 W5 A 82 KPL V4A |
| 30 | F51 0221 | 1 | Aufkleber | Label | - |
| 31 | F55 0144 | 6 | Stopfen | Plug | 60x60x4 KST. bk |
| 32 | F55 0146 | 4 | Verschlusskappe | Cover | 100x50x4 |
| 33 | F55 0190 | 4 | Stopfen | Plug | 70x70x4 bk |
| 34 | F55 0194 | 4 | Vierkantstopfen | Square plug | 80x60x3 |
| 35 | F55 0252 | 6 | Vierkantstopfen | Square plug | m.Lamellen V60x60x2,6-4 |
| 36 | F60 0934 | 1 | Winkelschwenkverschraubung | AD12/M16x1,5 | AD8/M12x1,5 |
| 37 | F60 0967 | 1 | Schutzkappe | Cap | - |
| 38 | 301 5410 | 2 | Sechskantschraube | Hexagon bolt | M16x160-8.8 Zn DIN931-A |
| 39 | 301 7514 | 4 | Sechskantschraube | Hexagon bolt | M8x45-A2 DIN931-A |



06.17

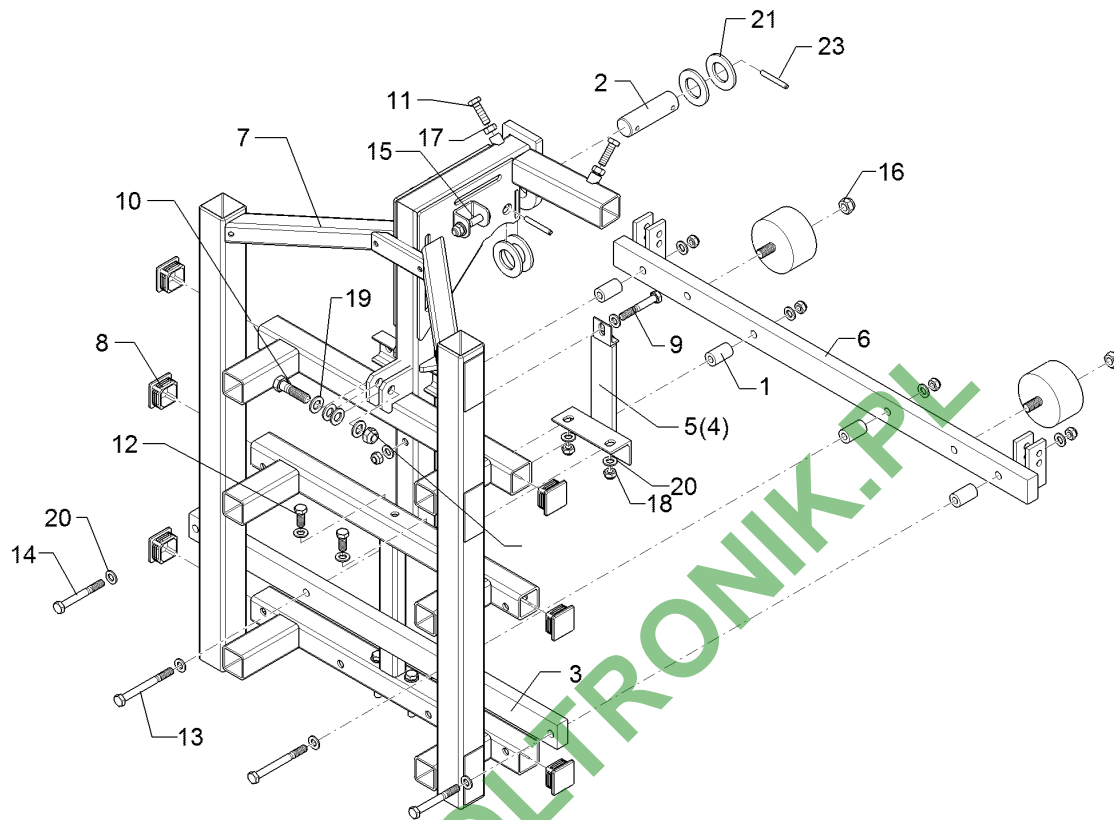
| Pos. | Art.Nr. | Stck. | Artikeltext / Description | | Abmessung |
|------|----------|-------|---------------------------|-----------------|-------------------------|
| 40 | 301 7538 | 4 | Sechskantschraube | Hexagon bolt | M12x40 A2 DIN933 |
| 41 | 30110094 | 1 | Sechskantschraube | Hexagon bolt | M12x80-A2 DIN931 |
| 42 | 30110107 | 2 | Sechskantschraube | Hexagon bolt | M12x70-A2 DIN931 |
| 43 | 30110108 | 10 | Sechskantschraube | Hexagon bolt | M12x90-A2 DIN931 |
| 44 | 303 0935 | 8 | Sicherungsmutter | Selflocking nut | NM16-8 Zn DIN985 |
| 45 | 303 0936 | 9 | Sicherungsmutter | Selflocking nut | NM20-8 Zn DIN985 |
| 46 | 30310025 | 4 | Sechskantmutter | Hexagon nut | M12 DIN934-A4 |
| 47 | 30310030 | 29 | Sicherungsmutter | Selflocking nut | NM12 DIN985-A4 |
| 48 | 30310043 | 4 | Sicherungsmutter | Selflocking nut | NM8 DIN985-A4 |
| 49 | 305 6017 | 12 | Scheibe | Washer | 21/37x3 A2 DIN125 |
| 50 | 305 6141 | 14 | Scheibe | Washer | 17/30x3 DIN/ISO-7089 |
| 51 | 305 8695 | 4 | Scheibe | Washer | A8,4 DIN125 A2 |
| 52 | 305 8709 | 40 | Scheibe | Washer | 13 DIN125-A A2 |
| 53 | 30510074 | 1 | Scheibe | Washer | 37 DIN125 Zn |
| 54 | 57510253 | 1 | Hydraulikzylinder | Hydraulic ram | EZ60x1125x1325 |

| | |
|-----------------------------|----------|
| Hubmast/Lift mast | 6 |
| EuroTrain 2600 TC / 3500 TC | F06 0896 |



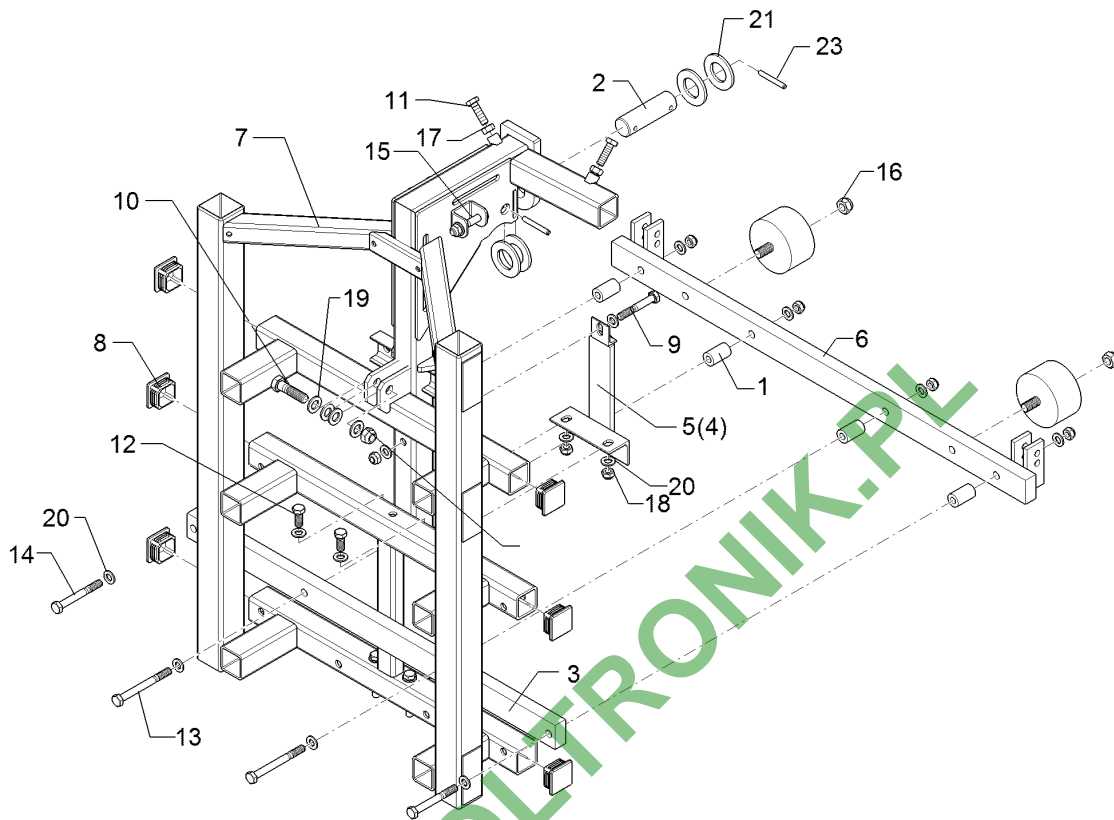
06.17

| Pos. | Art.Nr. | Stck. | Artikeltext / Description | Abmessung | |
|------|----------|-------|---------------------------|-----------|-----------------------------------|
| 1 | F06 1824 | 1 | Hubmast | Lift mast | 832x2066x3060 |
| 2 | F51 0193 | 1 | Aufkleber | Label | Einsatz Klappbolzen Pendelrahm |
| 3 | F60 0967 | 1 | Schutzkappe | Cap | - |



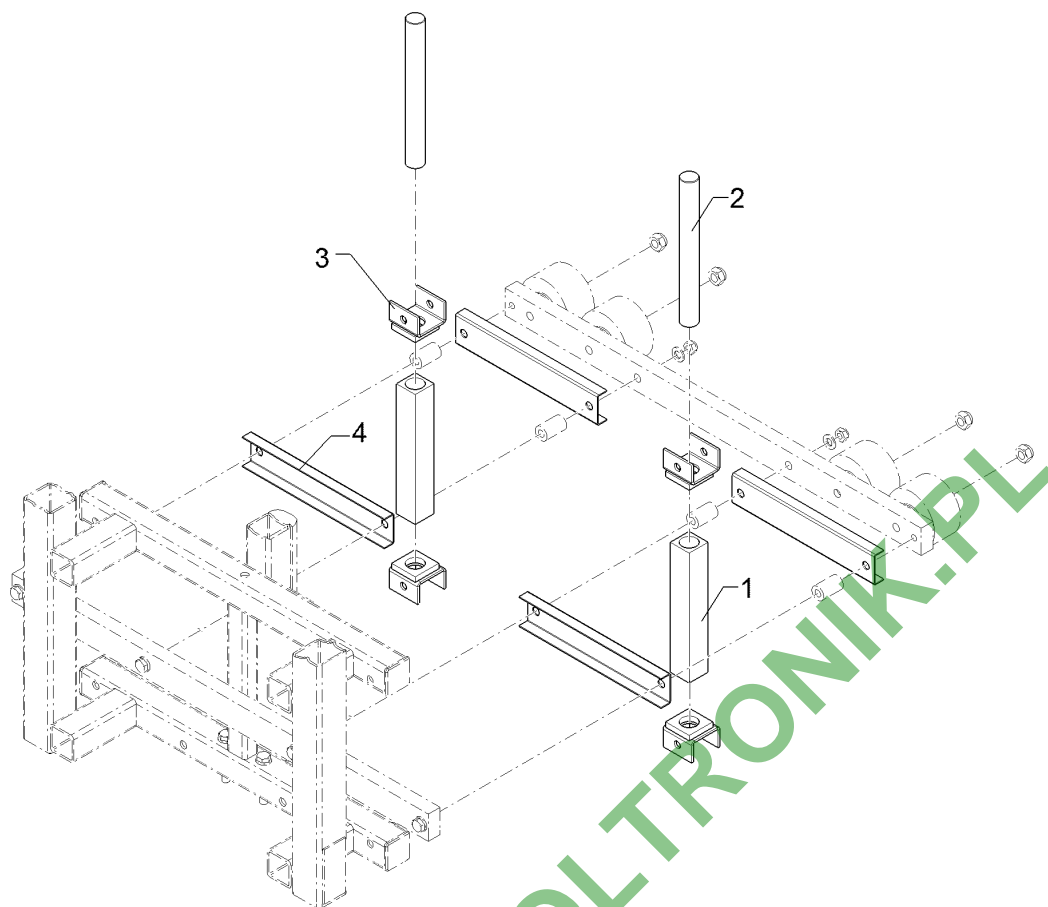
06.17

| Pos. | Art.Nr. | Stck. | Artikeltext / Description | | Abmessung |
|------|----------|-------|---------------------------|-----------------|---------------------------|
| 1 | F01 0371 | 4 | Distanzstück | Spacer | D25x41,5xd12,4 |
| 2 | F01 1699 | 1 | Bolzen | Pin | D35x115 2xD8 |
| 3 | F02 0428 | 1 | Gleitschiene | Sliding part | KPL SP/SPH/SH15-24 |
| 4 | F02 1559 | 1 | Führung | Guiding | 75x120x516 |
| 5 | F02 1679 | 1 | Führung | Guiding | 75x140x260 |
| 6 | F01 0451 | 1 | Gleitschiene | Sliding part | - |
| 7 | F03 0284 | 1 | Schlitten | Slide | SP/SPH/SH/HSL 15-24 |
| 8 | F55 0167 | 6 | Stopfen | Plug | 50x50x2.6-5 |
| 9 | 30110094 | 5 | Sechskantschraube | Hexagon bolt | M12x80-A2 DIN931 |
| 10 | 301 3837 | 1 | Sechskantschraube | Hexagon bolt | M16x60-8.8 Zn DIN931-A |
| 11 | 301 7529 | 2 | Sechskantschraube | Hexagon bolt | M12x30-A2 DIN933 |
| 12 | 301 7538 | 4 | Sechskantschraube | Hexagon bolt | M12x40 A2 DIN933 |
| 13 | 30110091 | 4 | Sechskantschraube | Hexagon bolt | M12x120-A2 DIN931 |
| 15 | 30110107 | 2 | Sechskantschraube | Hexagon bolt | M12x70-A2 DIN931 |
| 16 | 303 0935 | 1 | Sicherungsmutter | Selflocking nut | NM16-8 Zn DIN985 |
| 17 | 30310025 | 2 | Sechskantmutter | Hexagon nut | M12 DIN934-A4 |
| 18 | 30310030 | 11 | Sicherungsmutter | Selflocking nut | NM12 DIN985-A4 |
| 19 | 305 6141 | 2 | Scheibe | Washer | 17/30x3 DIN/ISO-7089 |
| 20 | 305 8709 | 22 | Scheibe | Washer | 13 DIN125-A A2 |
| 21 | 30510074 | 4 | Scheibe | Washer | 37 DIN125 Zn |
| 23 | 30910034 | 2 | Spannhülse | Expansion bush | 8x60-DIN1481-A2 |



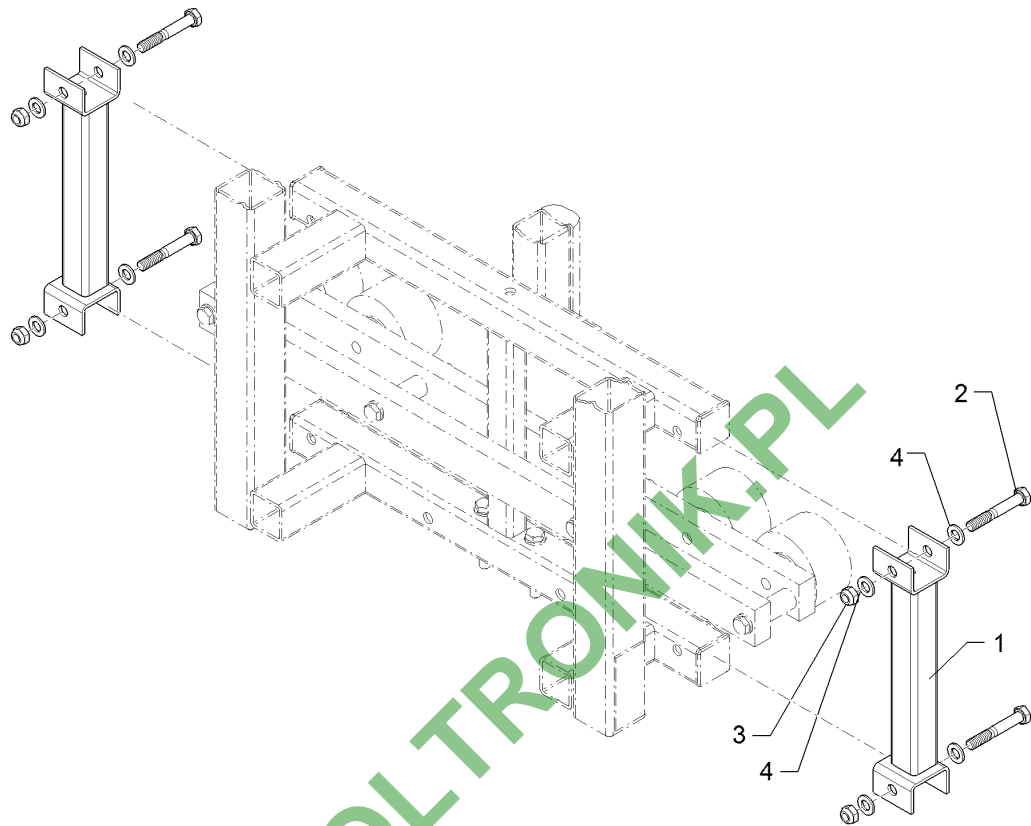
06.17

| Pos. | Art.Nr. | Stck. | Artikeltext / Description | Abmessung |
|------|----------|-------|---------------------------|--|
| 24 | F11 1506 | 2 | Gummipuffer | Rubber buffer 100/55 M16x31/M16x21 |



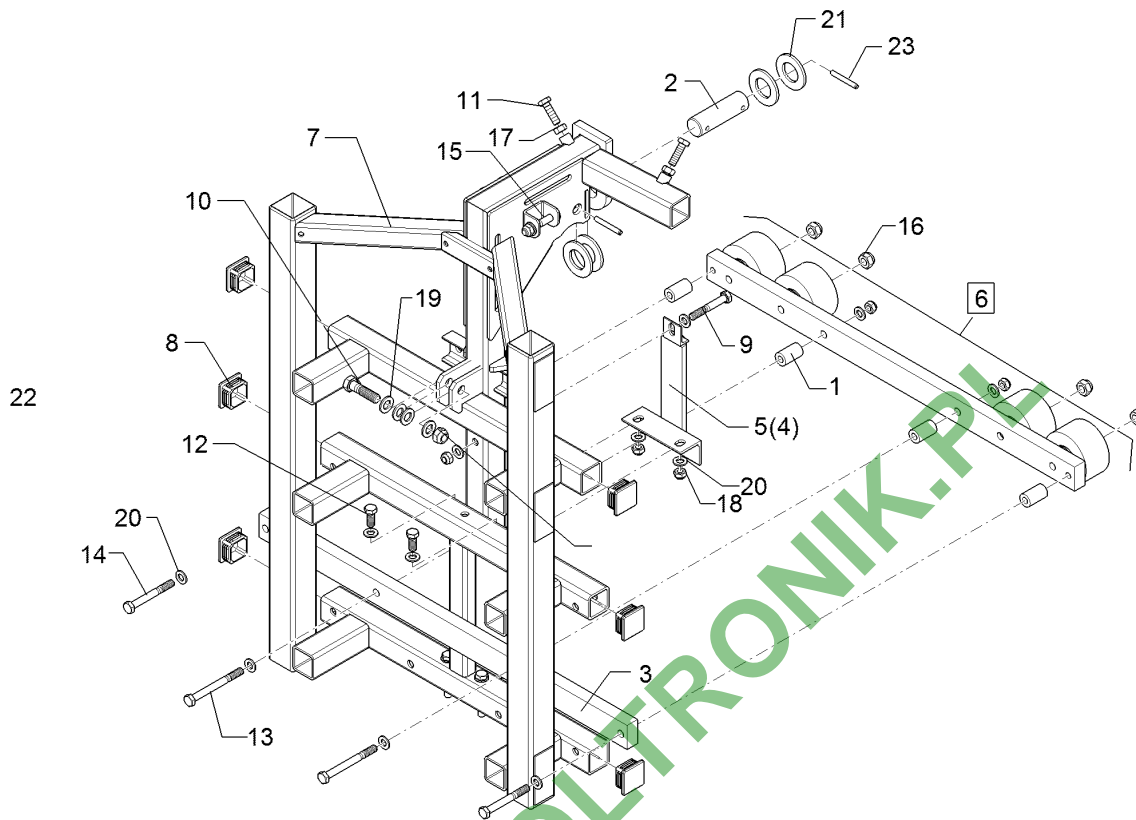
06.17

| Pos. | Art.Nr. | Stck. | Artikeltext / Description | Abmessung | |
|------|----------|-------|---------------------------|--------------|---------------|
| 1 | F01 1697 | 2 | Führung | Guiding | 40x40x238 D30 |
| 2 | F01 1698 | 2 | Bolzen | Pin | D30x266 |
| 3 | F02 1015 | 4 | Halter | Holder | 60x60x48 |
| 4 | F31 0159 | 4 | Gleitkufe | Sliding skid | 300x51x20x2 |



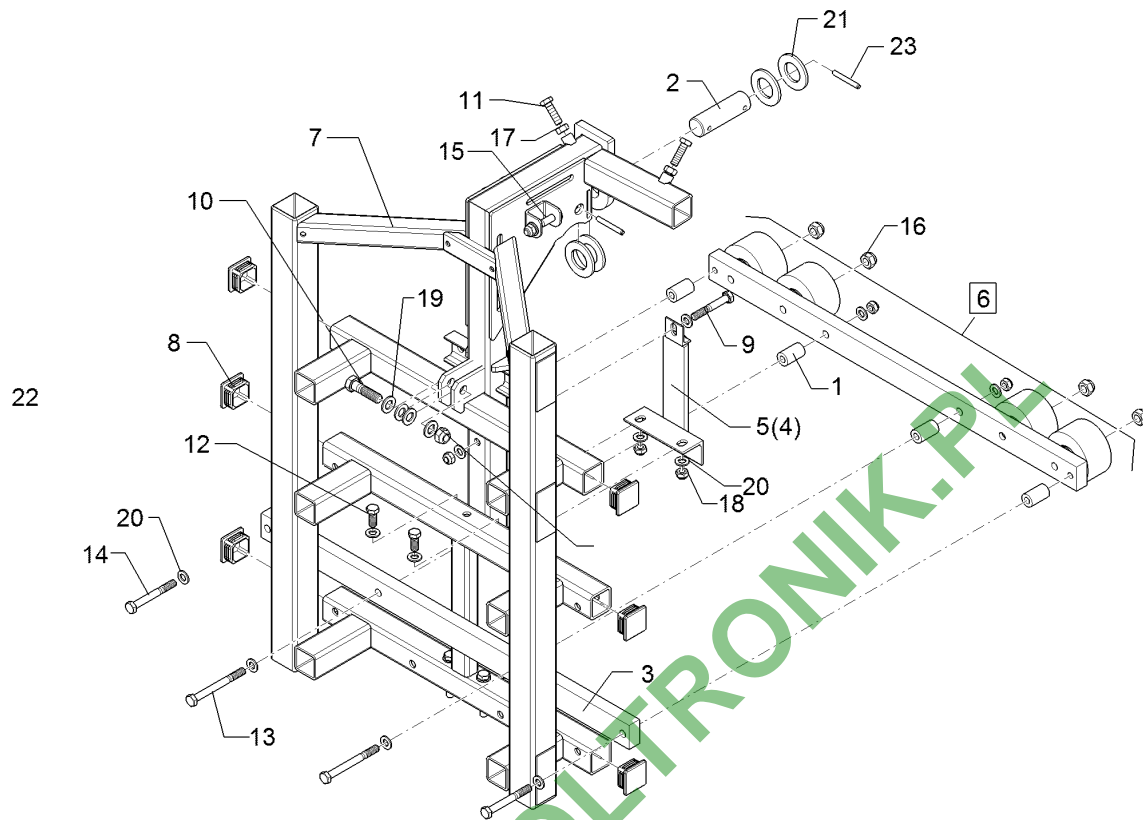
06.17

| Pos. | Art.Nr. | Stck. | Artikeltext / Description | Abmessung | |
|------|----------|-------|---------------------------|-----------------|-------------------|
| 1 | F02 1088 | 2 | Führung | Guiding | 60x337x60 2xd12,5 |
| 2 | 30110094 | 4 | Sechskantschraube | Hexagon bolt | M12x80-A2 DIN931 |
| 3 | 30310030 | 4 | Sicherungsmutter | Selflocking nut | NM12 DIN985-A4 |
| 4 | 305 8709 | 4 | Scheibe | Washer | 13 DIN125-A A2 |



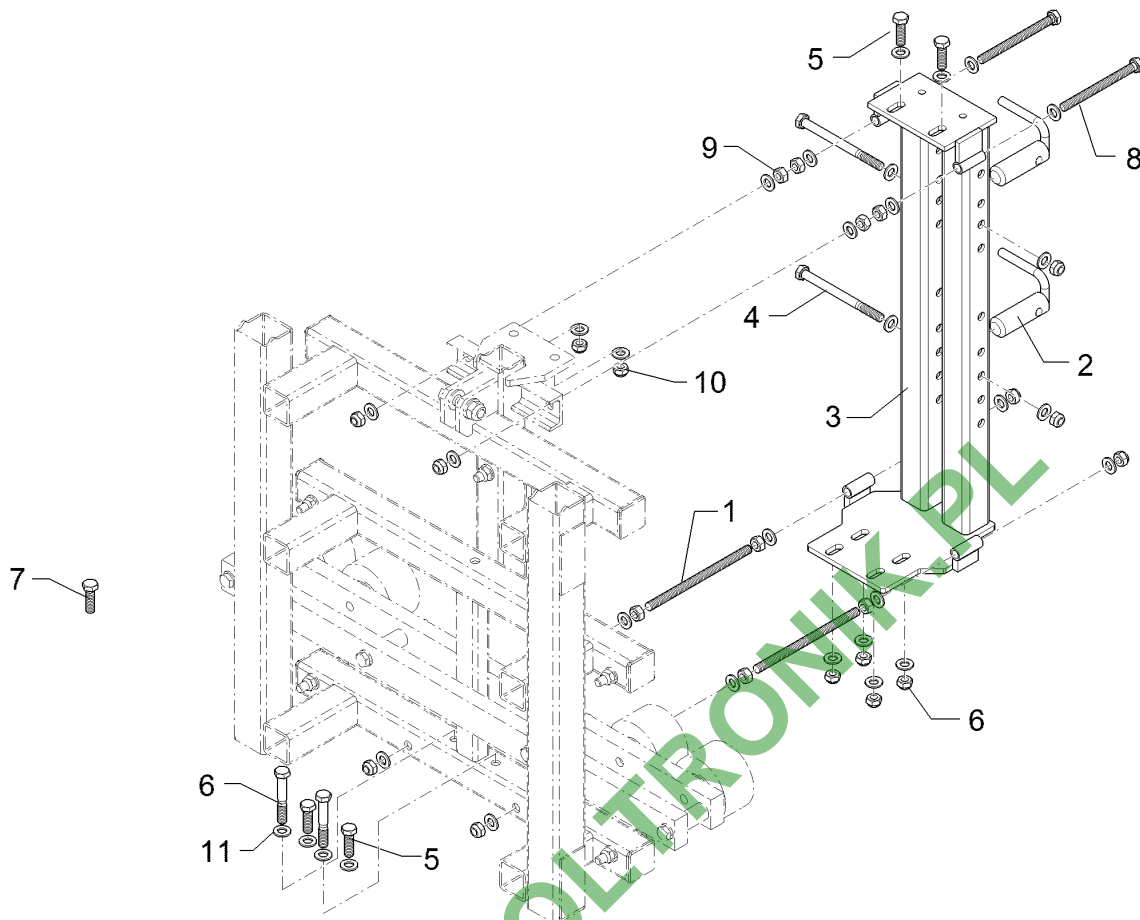
06.17

| Pos. | Art.Nr. | Stck. | Artikeltext / Description | | Abmessung |
|------|----------|-------|---------------------------|-----------------|---------------------------|
| 1 | F01 0371 | 4 | Distanzstück | Spacer | D25x41,5xd12,4 |
| 2 | F01 1699 | 1 | Bolzen | Pin | D35x115 2xD8 |
| 3 | F01 4210 | 1 | Gleitschiene | Sliding part | 50x25x880 4xD14 |
| 4 | F02 1559 | 1 | Führung | Guiding | 75x120x516 |
| 5 | F02 1679 | 1 | Führung | Guiding | 75x140x260 |
| 6 | F02 1816 | 1 | Gleitschiene | Sliding part | SHS15-21 |
| 7 | F03 0284 | 1 | Schlitten | Slide | SP/SPH/SH/HSL 15-24 |
| 8 | F55 0167 | 6 | Stopfen | Plug | 50x50x2.6-5 |
| 9 | 301 3432 | 5 | Sechskantschraube | Hexagon bolt | M12x80-8.8 Zn DIN931-A |
| 10 | 301 3837 | 1 | Sechskantschraube | Hexagon bolt | M16x60-8.8 Zn DIN931-A |
| 11 | 301 7529 | 2 | Sechskantschraube | Hexagon bolt | M12x30-A2 DIN933 |
| 12 | 301 7538 | 4 | Sechskantschraube | Hexagon bolt | M12x40 A2 DIN933 |
| 13 | 30110091 | 2 | Sechskantschraube | Hexagon bolt | M12x120-A2 DIN931 |
| 14 | 30110104 | 2 | Sechskantschraube | Hexagon bolt | M12x100-A2 DIN931 |
| 15 | 30110107 | 2 | Sechskantschraube | Hexagon bolt | M12x70-A2 DIN931 |
| 16 | 303 0935 | 5 | Sicherungsmutter | Selflocking nut | NM16-8 Zn DIN985 |
| 17 | 30310025 | 2 | Sechskantmutter | Hexagon nut | M12 DIN934-A4 |
| 18 | 30310030 | 13 | Sicherungsmutter | Selflocking nut | NM12 DIN985-A4 |
| 19 | 305 6141 | 4 | Scheibe | Washer | 17/30x3 DIN/ISO-7089 |
| 20 | 305 8709 | 28 | Scheibe | Washer | 13 DIN125-A A2 |
| 21 | 30510074 | 4 | Scheibe | Washer | 37 DIN125 Zn |



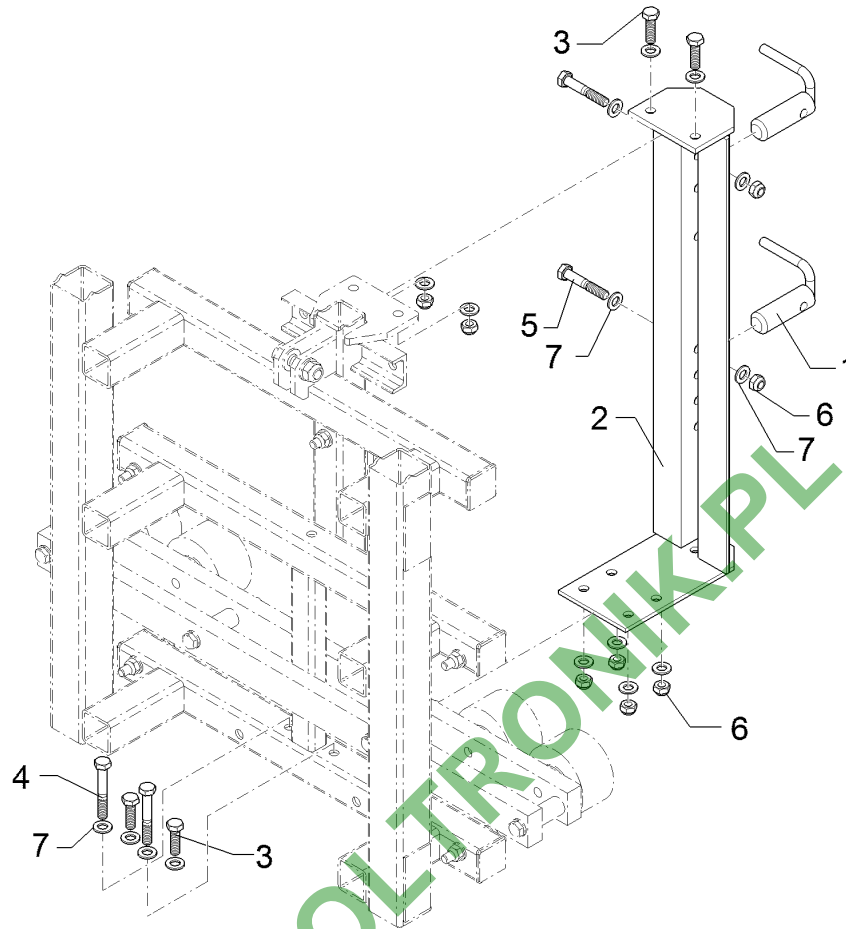
06.17

| Pos. | Art.Nr. | Stck. | Artikeltext / Description | Abmessung | |
|------|----------|-------|---------------------------|----------------|-----------------|
| 22 | 30510202 | 2 | Federring | Spring ring | 12-B DIN127 A2 |
| 23 | 30910034 | 2 | Spannhülse | Expansion bush | 8x60-DIN1481-A2 |



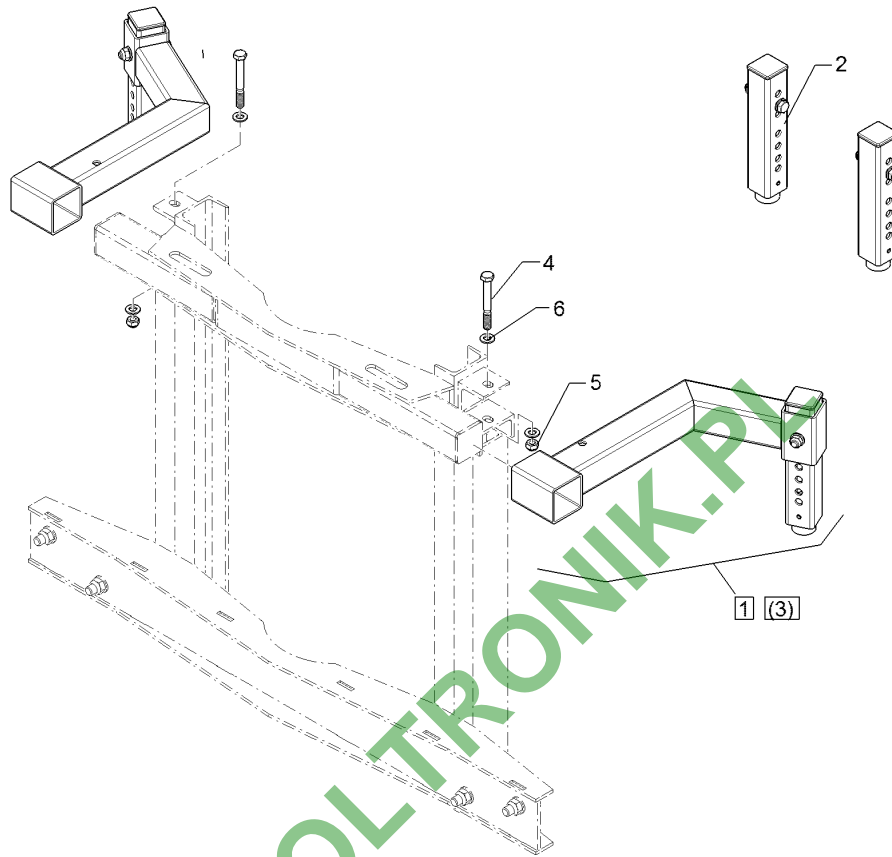
06.17

| Pos. | Art.Nr. | Stck. | Artikeltext / Description | Abmessung | |
|------|----------|-------|---------------------------|------------------|-------------------|
| 1 | F01 2128 | 2 | Gewindestange | Threaded rod | M12x195 A2 DIN975 |
| 2 | F02 1078 | 2 | Bolzen | Pin | D30x90 1xD12,25 |
| 3 | F02 1081 | 1 | Pendelführung | Pendulum guiding | SH/SE |
| 4 | 30110093 | 2 | Sechskantschraube | Hexagon bolt | M12x150-A2 DIN931 |
| 5 | 301 7538 | 4 | Sechskantschraube | Hexagon bolt | M12x40 A2 DIN933 |
| 6 | 30110094 | 2 | Sechskantschraube | Hexagon bolt | M12x80-A2 DIN931 |
| 7 | 30110148 | 2 | Sechskantschraube | Hexagon bolt | M12x50-A2 DIN933 |
| 8 | 30110384 | 2 | Sechskantschraube | Hexagon bolt | M12x140-A2 DIN933 |
| 9 | 30310025 | 8 | Sechskantmutter | Hexagon nut | M12 DIN934-A4 |
| 10 | 30310030 | 20 | Sicherungsmutter | Selflocking nut | NM12 DIN985-A4 |
| 11 | 305 8709 | 16 | Scheibe | Washer | 13 DIN125-A A2 |



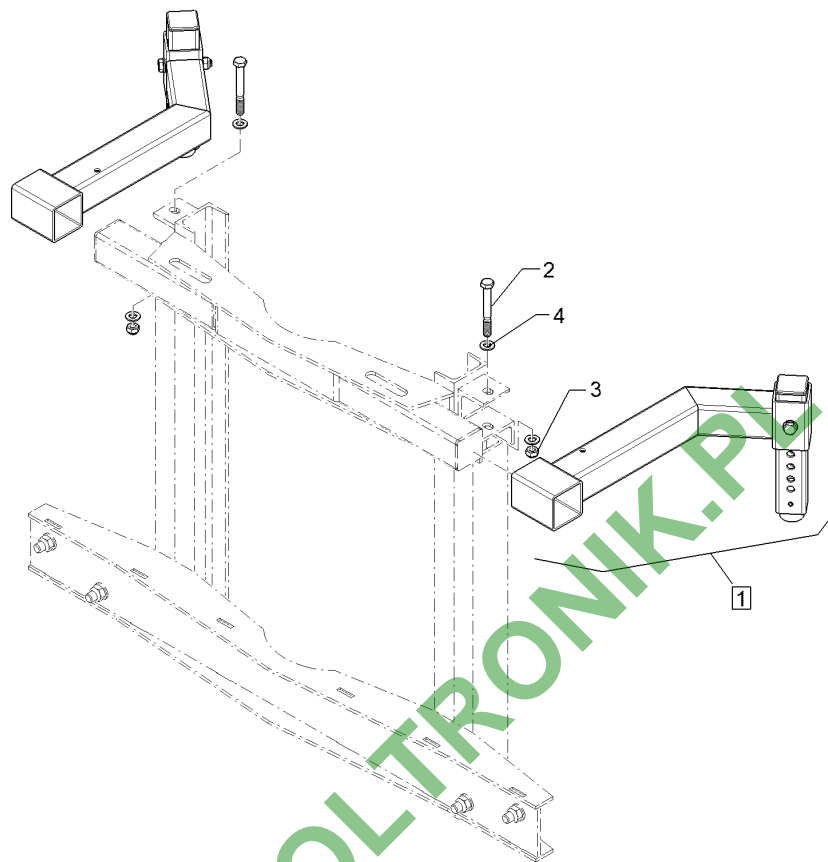
06.17

| Pos. | Art.Nr. | Stck. | Artikeltext / Description | Abmessung | |
|------|----------|-------|---------------------------|------------------|------------------|
| 1 | F02 1078 | 2 | Bolzen | Pin | D30x90 1xD12,25 |
| 2 | F02 1079 | 1 | Pendelführung | Pendulum guiding | SP/SPH/SH15-18 |
| 3 | 301 7538 | 2 | Sechskantschraube | Hexagon bolt | M12x40 A2 DIN933 |
| 4 | 30110094 | 2 | Sechskantschraube | Hexagon bolt | M12x80-A2 DIN931 |
| 5 | 30110107 | 2 | Sechskantschraube | Hexagon bolt | M12x70-A2 DIN931 |
| 6 | 30310030 | 6 | Sicherungsmutter | Selflocking nut | NM12 DIN985-A4 |
| 7 | 305 8709 | 12 | Scheibe | Washer | 13 DIN125-A A2 |



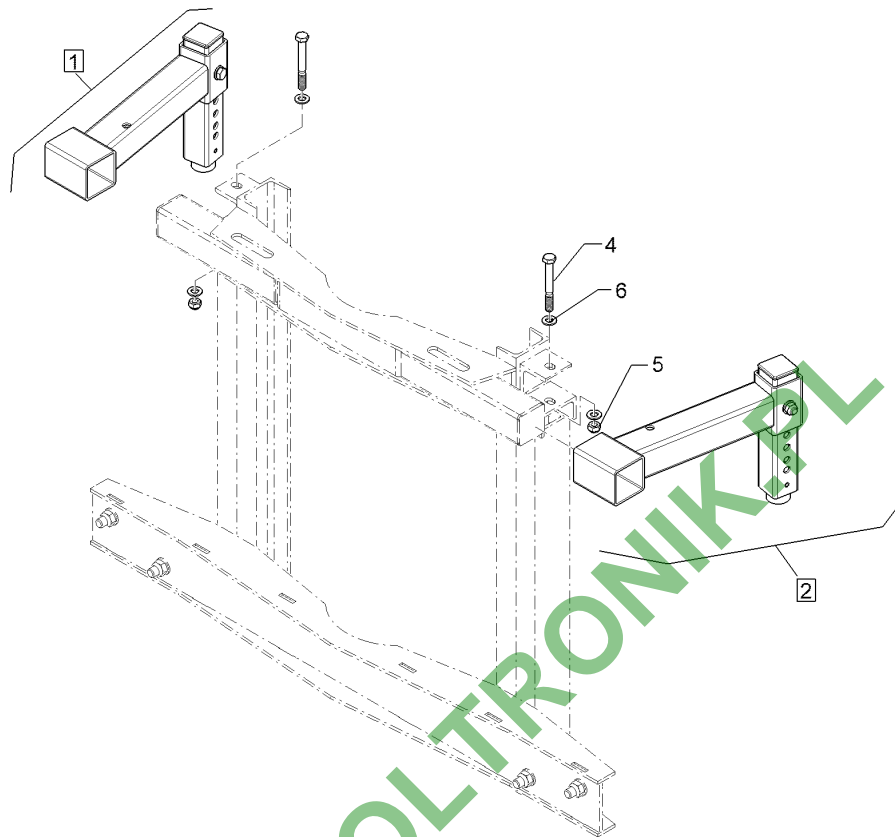
06.17

| Pos. | Art.Nr. | Stck. | Artikeltext / Description | Abmessung | |
|------|----------|-------|---------------------------|-----------------|-------------------|
| 1 | F02 1082 | 2 | Konsole | Bracket | 100x255x480 |
| 2 | F03 0533 | 2 | Anschlag | Stop | 50,0x87,5x265 M12 |
| 3 | F06 0326 | 2 | Anschlag | Stop | SH15-24 |
| 4 | 30110104 | 2 | Sechskantschraube | Hexagon bolt | M12x100-A2 DIN931 |
| 5 | 30310030 | 2 | Sicherungsmutter | Selflocking nut | NM12 DIN985-A4 |
| 6 | 305 8709 | 4 | Scheibe | Washer | 13 DIN125-A A2 |



06.17

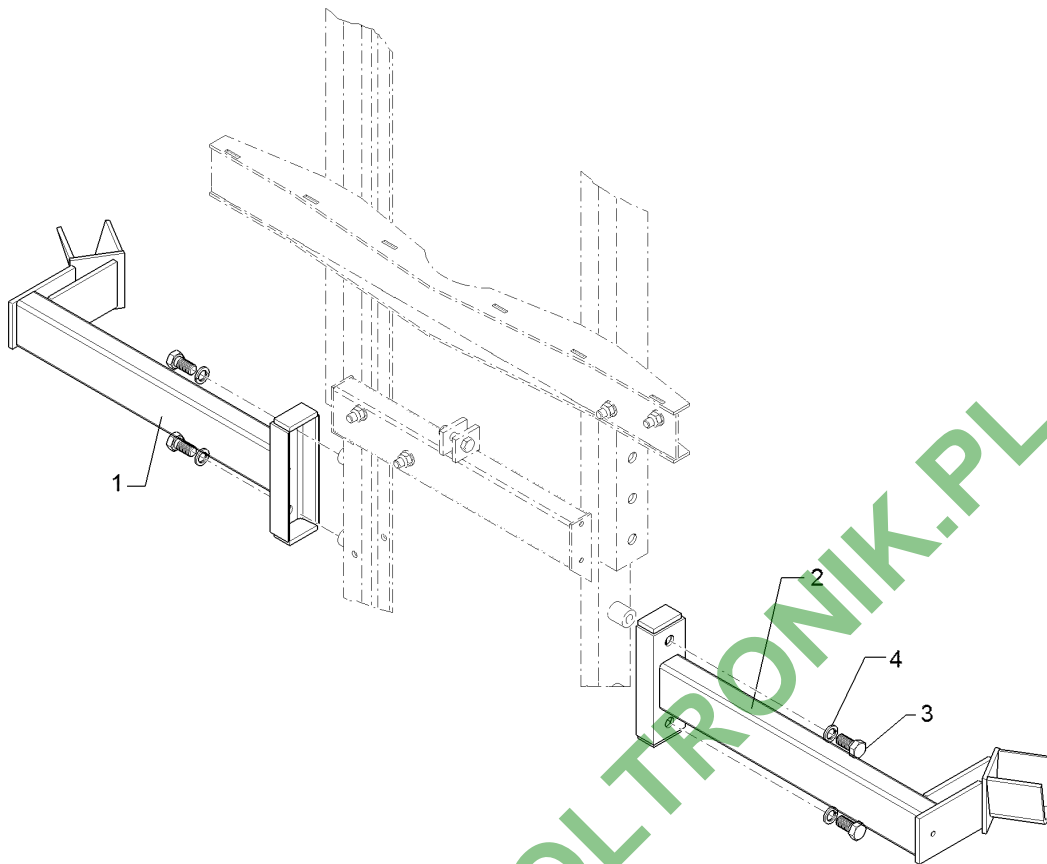
| Pos. | Art.Nr. | Stck. | Artikeltext / Description | Abmessung | |
|------|----------|-------|---------------------------|-----------------|---------------------|
| 1 | F06 1858 | 2 | Anschlag | Stop | 212,3x265x517,2 li. |
| 2 | 30110104 | 2 | Sechskantschraube | Hexagon bolt | M12x100-A2 DIN931 |
| 3 | 30310030 | 2 | Sicherungsmutter | Selflocking nut | NM12 DIN985-A4 |
| 4 | 305 8709 | 4 | Scheibe | Washer | 13 DIN125-A A2 |



06.17

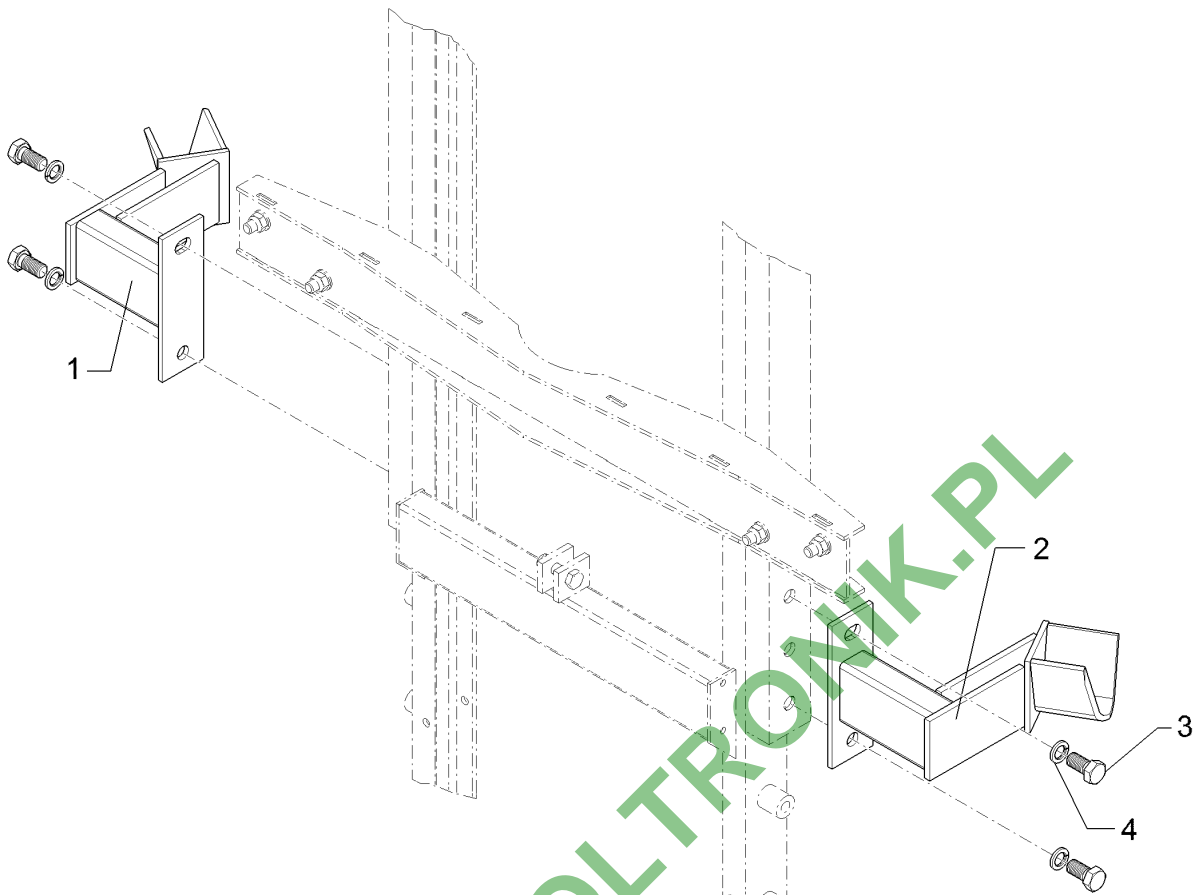
| Pos. | Art.Nr. | Stck. | Artikeltext / Description | Abmessung | |
|------|----------|-------|---------------------------|-----------------|-------------------|
| 1 | F03 0271 | 1 | Anschlag | Stop | 77x265x417 |
| 2 | F03 4575 | 1 | Anschlag | Stop | 77x265x417 li. |
| 4 | 30110104 | 2 | Sechskantschraube | Hexagon bolt | M12x100-A2 DIN931 |
| 5 | 30310030 | 2 | Sicherungsmutter | Selflocking nut | NM12 DIN985-A4 |
| 6 | 305 8709 | 4 | Scheibe | Washer | 13 DIN125-A A2 |

| | |
|-----------------------------|----------|
| Transportaufnahme/Holder | 6 |
| EuroTrain 2600 TC / 3500 TC | F06 0910 |



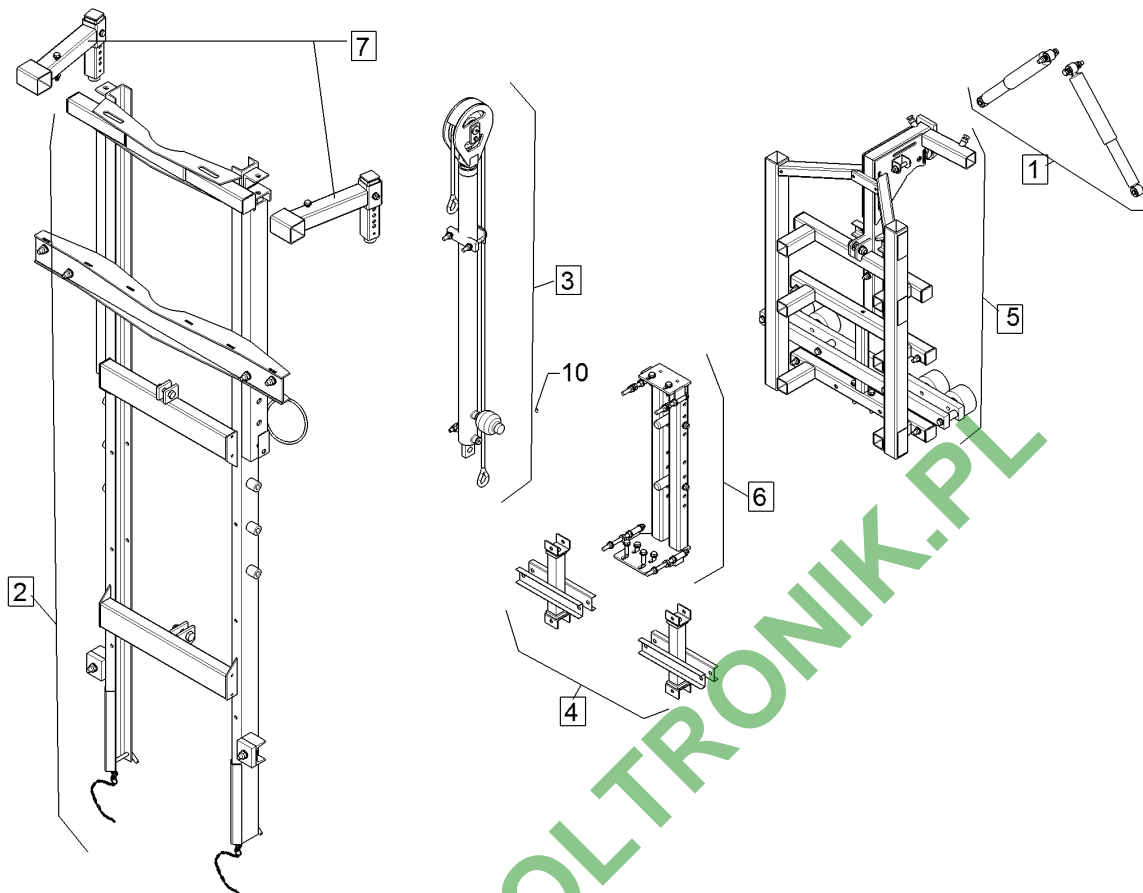
06.17

| Pos. | Art.Nr. | Stck. | Artikeltext / Description | Abmessung |
|------|----------|-------|-----------------------------------|-------------------------|
| 1 | F02 4792 | 1 | Transportaufnahme Holder | 0260x0294x0806 links |
| 2 | F02 1155 | 1 | Konsole Bracket | 260x294x806 RE |
| 3 | 301 4197 | 4 | Sechskantschraube Hexagon bolt | M20x40-8.8 Zn DIN933 |
| 4 | 305 9908 | 4 | Federring Spring ring | 20 DIN127 Zn |



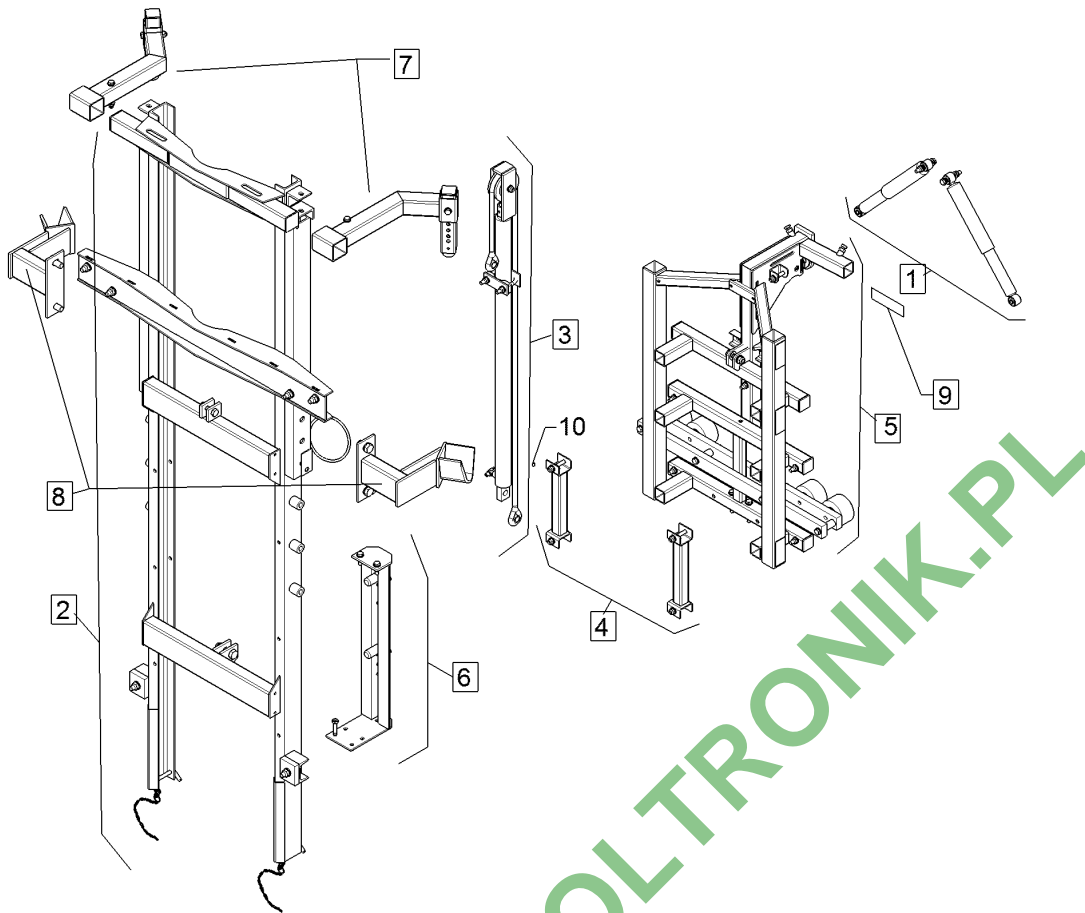
06.17

| Pos. | Art.Nr. | Stck. | Artikeltext / Description | Abmessung |
|------|----------|-------|---------------------------|--------------------|
| 1 | F02 1817 | 1 | Konsole | Bracket |
| 2 | F02 4798 | 1 | Fangtasche | Catch bracket |
| 3 | 301 4197 | 4 | Sechskantschraube | Hexagon bolt |
| 4 | 305 9908 | 4 | Federring | Spring ring |
| | | | | 240x266x323 rechts |
| | | | | LI SHS |
| | | | | M20x40-8.8 Zn |
| | | | | DIN933 |
| | | | | 20 DIN127 Zn |



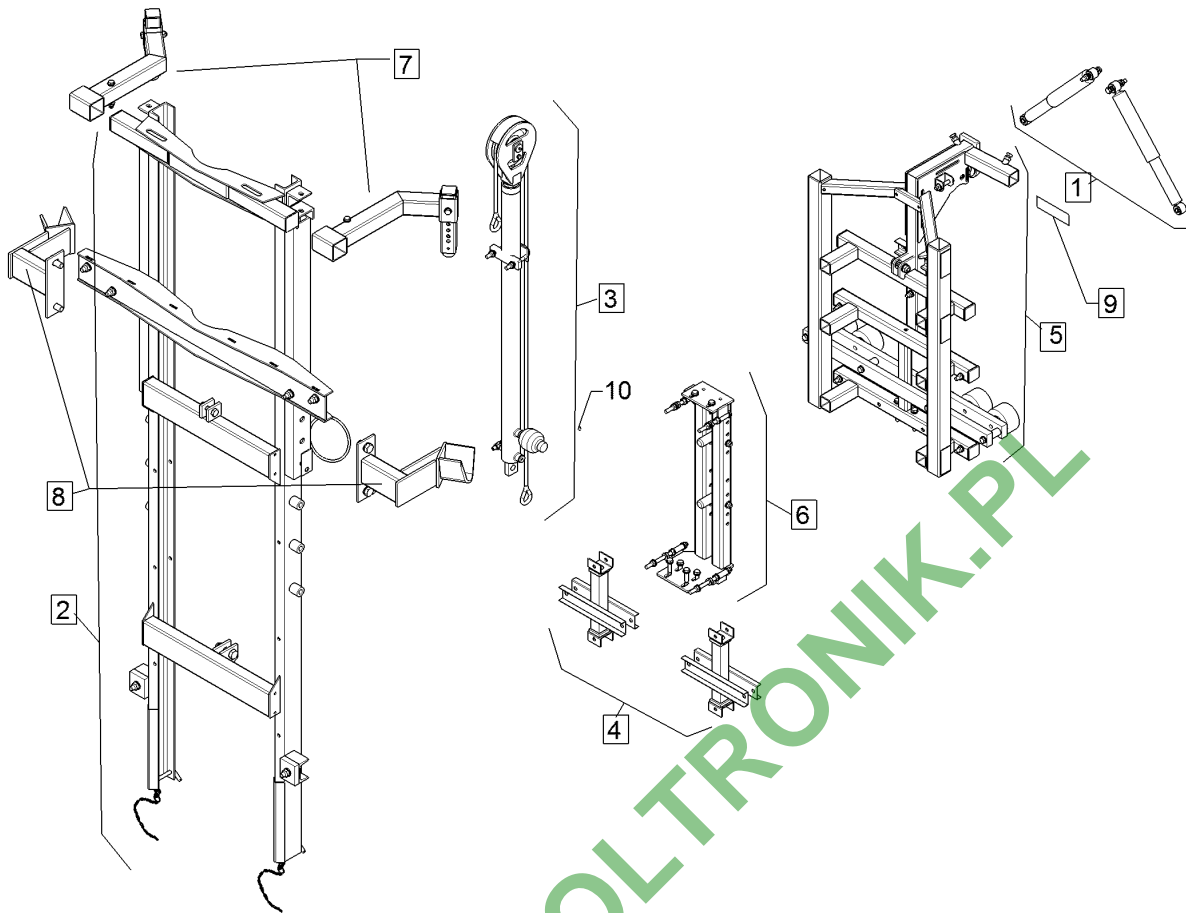
06.17

| Pos. | Art.Nr. | Stck. | Artikeltext / Description | Abmessung | |
|------|----------|-------|---------------------------|------------------|------------------------------|
| 1 | F06 0887 | 1 | Stoßdämpfer | Shock absorber | SPH/SH15/18 |
| 2 | F06 0889 | 1 | Hubkonsole | Raise bracket | ET |
| 3 | F06 0890 | 1 | Hydraulikzylinder | Hydraulic ram | DZ055/40x1000-1190 |
| 4 | F06 0902 | 1 | Führung | Guiding | D30 D20 60x337x60 2xd12,5 |
| 5 | F06 0900 | 1 | Schlitten | Slide | 1021x635x482 |
| 6 | F06 0905 | 1 | Pendelführung | Pendulum guiding | 131x225x690 |
| 7 | F06 0908 | 1 | Anschlagsatz | Stop set | 256x408x907 |
| 10 | F60 0967 | 1 | Schutzkappe | Cap | - |



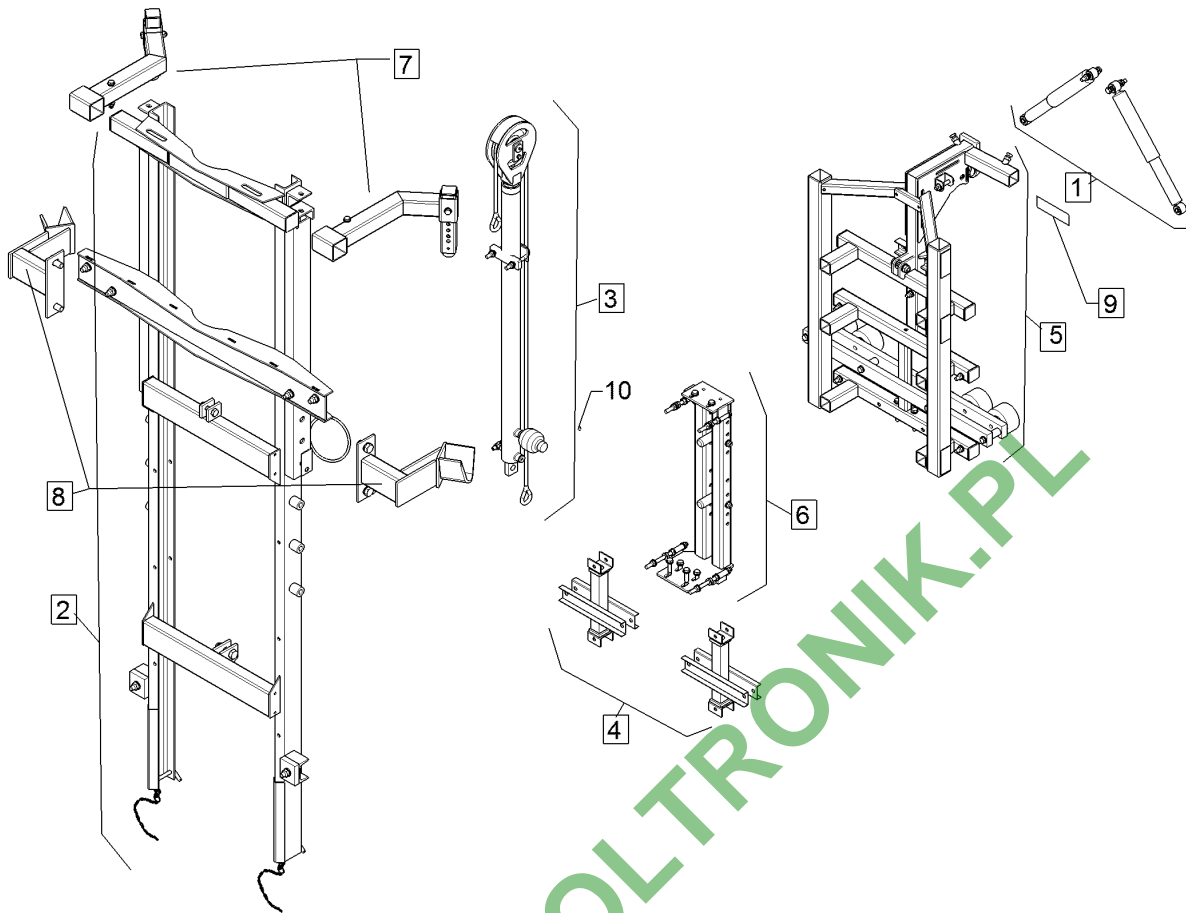
06.17

| Pos. | Art.Nr. | Stck. | Artikeltext / Description | Abmessung | |
|------|----------|-------|---------------------------|------------------|-----------------------------------|
| 1 | F06 0887 | 1 | Stoßdämpfer | Shock absorber | SPH/SH15/18 |
| 2 | F06 0888 | 1 | Hubkonsole | Raise bracket | ET |
| 3 | F06 0890 | 1 | Hydraulikzylinder | Hydraulic ram | DZ055/40x1000-1190 |
| 4 | F06 0902 | 1 | Führung | Guiding | D30 D20 60x337x60 2xd12,5 |
| 5 | F06 0903 | 1 | Schlitten | Slide | 1021x635x482 |
| 6 | F06 0905 | 1 | Pendelführung | Pendulum guiding | 131x225x690 |
| 7 | F06 0907 | 1 | Anschlagsatz | Stop set | 212,3x265x517,2 SHS re+li |
| 8 | F06 0911 | 1 | Transportaufnahme | Holder | 260x304x2250 |
| 9 | F51 0193 | 1 | Aufkleber | Label | Einsatz Klappbolzen Pendelrahm |
| 10 | F60 0967 | 1 | Schutzkappe | Cap | - |



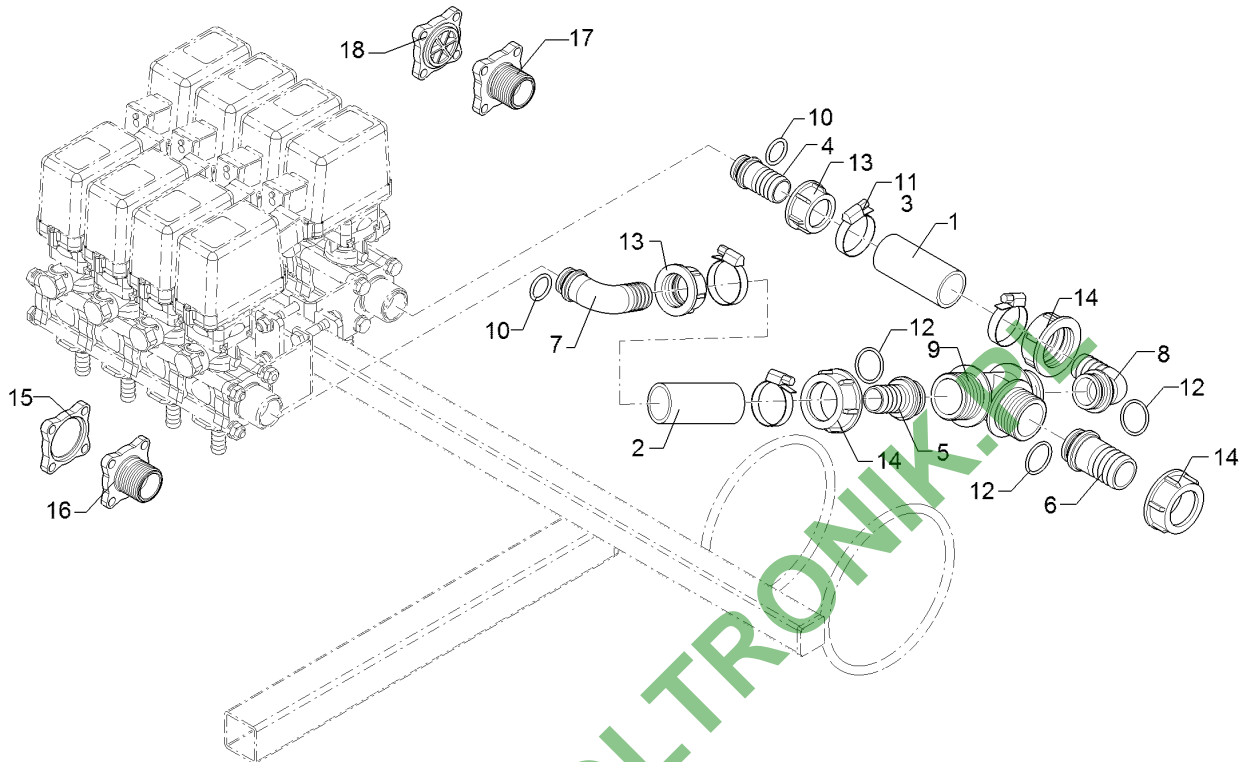
06.17

| Pos. | Art.Nr. | Stck. | Artikeltext / Description | | Abmessung |
|------|----------|-------|---------------------------|------------------|--|
| 1 | F06 0886 | 1 | Stoßdämpfer | Shock absorber | SHS20-24 |
| 2 | F06 0888 | 1 | Hubkonsole | Raise bracket | ET |
| 3 | F06 0891 | 1 | Hydraulikzylinder | Hydraulic ram | EZ50x1025x1225 |
| 4 | F06 0901 | 1 | Führung | Guiding | SH20-24 |
| 5 | F06 0903 | 1 | Schlitten | Slide | 1021x635x482 |
| 6 | F06 0904 | 1 | Pendelführung | Pendulum guiding | SH20-24 |
| 7 | F06 0907 | 1 | Anschlagsatz | Stop set | 212,3x265x517,2 |
| 8 | F06 0911 | 1 | Transportaufnahme | Holder | SHS re+li |
| 9 | F51 0193 | 1 | Aufkleber | Label | 260x304x2250 |
| 10 | F60 0967 | 1 | Schutzkappe | Cap | Einsatz Klappbolzen Pendelrahm - |



06.17

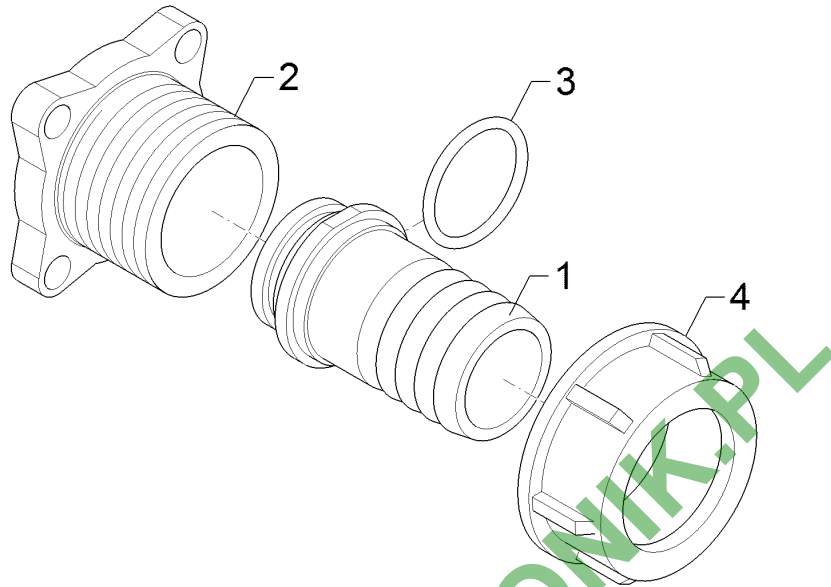
| Pos. | Art.Nr. | Stck. | Artikeltext / Description | | Abmessung |
|------|----------|-------|---------------------------|------------------|-----------------------------------|
| 1 | F06 0886 | 1 | Stoßdämpfer | Shock absorber | SHS20-24 |
| 2 | F06 0889 | 1 | Hubkonsole | Raise bracket | ET |
| 3 | F06 0891 | 1 | Hydraulikzylinder | Hydraulic ram | EZ50x1025x1225 |
| 4 | F06 0901 | 1 | Führung | Guiding | SH20-24 |
| 5 | F06 0900 | 1 | Schlitten | Slide | 1021x635x482 |
| 6 | F06 0904 | 1 | Pendelführung | Pendulum guiding | SH20-24 |
| 7 | F06 0906 | 1 | Anschlagsatz | Stop set | 260x479x1183 |
| 8 | F06 0910 | 1 | Transportaufnahme | Holder | 260x304x2250 |
| 9 | F51 0193 | 1 | Aufkleber | Label | Einsatz Klappbolzen Pendelrahm |
| 10 | F60 0967 | 1 | Schutzkappe | Cap | - |



06.17

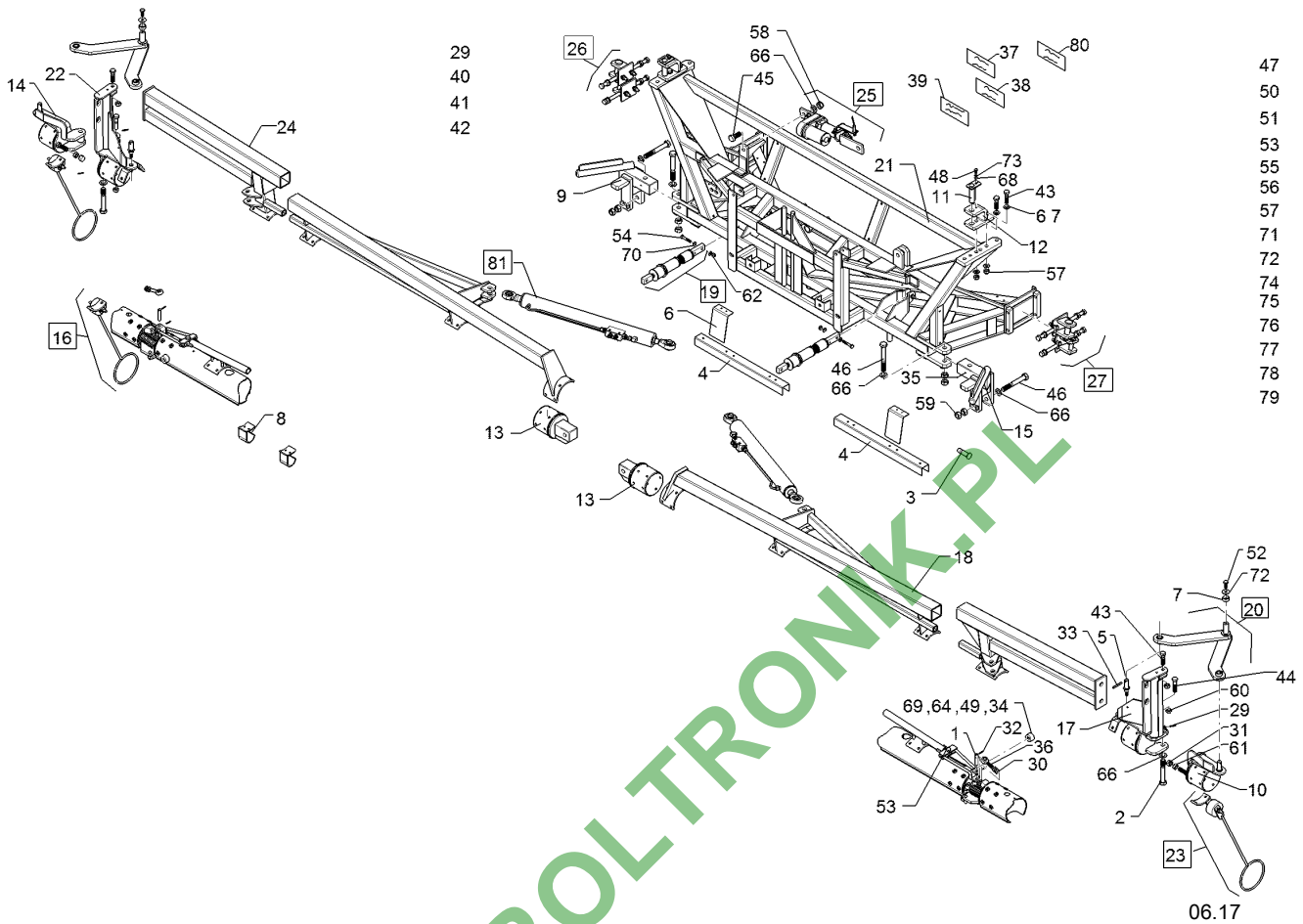
| Pos. | Art.Nr. | Stck. | Artikeltext / Description | Abmessung | |
|------|----------|-------|---------------------------|-----------------|---------------------|
| 1 | F01 1763 | 1 | Schlauch | Hose | di25x7x80 |
| 2 | F01 1820 | 1 | Schlauch | Hose | di25x5,75x140 |
| 3 | F55 0250 | 4 | Schutzkappe | Cap | bl 9mm |
| 4 | F61 0829 | 1 | Schlauchanschluss | Hose connection | G1ZLÜ 0GRD D25 |
| 5 | F61 0830 | 1 | Schlauchanschluss | Hose connection | G1-1/4ZLÜ 0GRD D25 |
| 6 | F61 0832 | 1 | Schlauchanschluss | Hose connection | G1-1/4ZLÜ 0GRD D32 |
| 7 | F61 0850 | 1 | Schlauchanschluss | Hose connection | G1ZLÜ 90GRD D25 |
| 8 | F61 0851 | 1 | Schlauchanschluss | Hose connection | G1-1/4ZLÜ 90GRD D25 |
| 9 | F61 0872 | 1 | T-Stück | T-piece | G1-1/4 ZL |
| 10 | F61 1972 | 2 | O-Ring | O-ring | 20x3 |
| 11 | F61 2402 | 4 | Schlauchschelle | Hose clip | D25-D40x9 |
| 12 | 37810281 | 3 | O-Ring | O-ring | 26,7x2,6 |
| 13 | 37810579 | 2 | Überwurfmutter | Union nut | G1 ZL |
| 14 | 37810580 | 3 | Überwurfmutter | Union nut | G1-1/4 ZL |
| 15 | F61 1273 | 1 | Abschlussdeckel | Cap | 463 |
| 16 | F61 1274 | 1 | Flansch | Flange | G1ZLA |
| 17 | F61 1275 | 1 | Flansch | Flange | G1ZLA |
| 18 | F61 1276 | 1 | Abschlussdeckel | Cap | 463 |

| | |
|-----------------------------|----------|
| Kit/Set | 6 |
| EuroTrain 2600 TC / 3500 TC | F06 0950 |

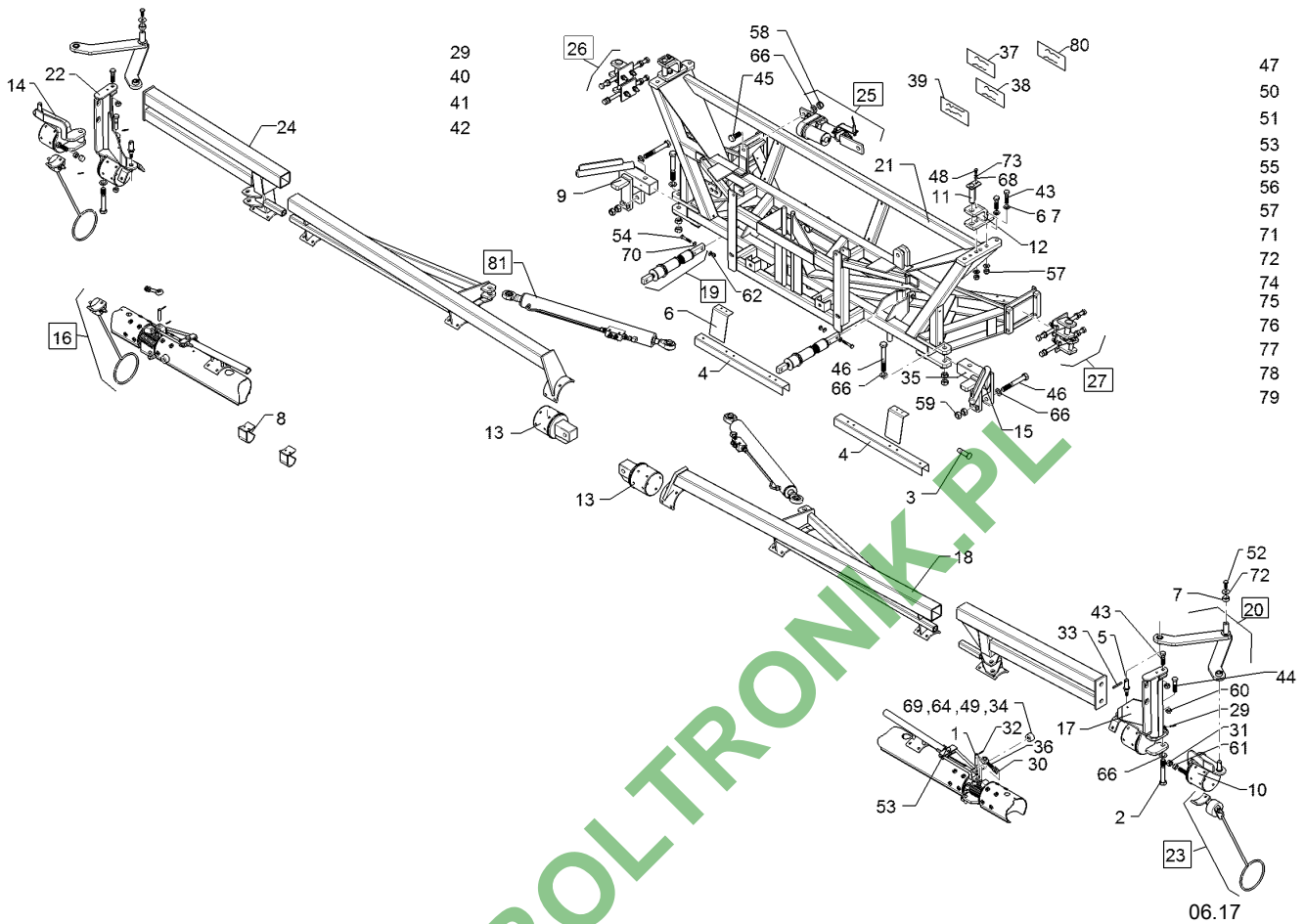


06.17

| Pos. | Art.Nr. | Stck. | Artikeltext / Description | Abmessung |
|------|----------|-------|--------------------------------------|-----------------------|
| 1 | F61 0832 | 1 | Schlauchanschluss Hose connection | G1-1/4ZLÜ 0GRD D32 |
| 2 | F61 1163 | 1 | Flansch Flange | G1-1/4ZLA |
| 3 | 37810281 | 1 | O-Ring O-ring | 26,7x2,6 |
| 4 | 37810580 | 1 | Überwurfmutter Union nut | G1-1/4 ZL |

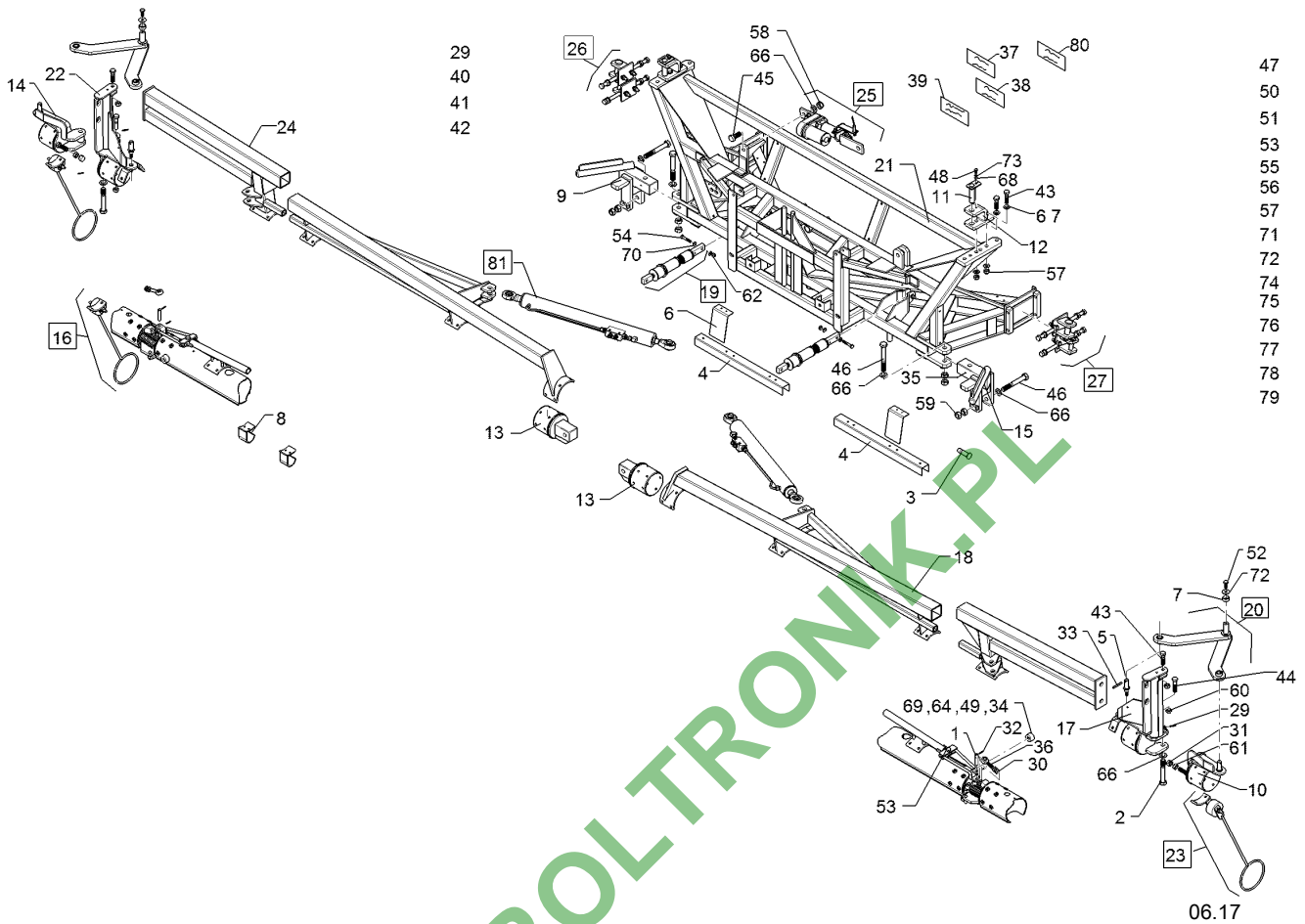


| Pos. | Art.Nr. | Stck. | Artikeltext / Description | Abmessung | |
|------|----------|-------|---------------------------|-------------------|--|
| 1 | F01 0488 | 2 | Steckbolzen | Socket pin | D14x65 2xD4 |
| 2 | F01 0499 | 2 | Sechskantschraube spz. | Hexagon bolt | M20/19,5x130 8.8 2xD4 |
| 3 | F01 0586 | 2 | Sechskantschraube | Hexagon bolt | M20x70 spez. |
| 4 | F01 1034 | 2 | Düsenträger | Nozzle carrier | 50x605x2 U-46 |
| 5 | F01 1038 | 2 | Bolzen | Pin | D30x94 M12 d8 |
| 6 | F01 1375 | 2 | Schutzvorrichtung | Safety guard | 150x40x3 2xD7 |
| 7 | F01 1504 | 2 | Buchse | Bush | D33,7x3,5x12 |
| 8 | F02 0357 | 2 | Abstandshalter | Spacer | 66x75x50 2xD9 |
| 9 | F02 0417 | 1 | Gelenkstück | Connecting piece | 180x240x260 re |
| 10 | F02 0682 | 1 | Gelenkstück | Connecting piece | 150x200 li |
| 11 | F02 0905 | 2 | Bolzen | Pin | 25x92/100 |
| 12 | F02 0906 | 2 | Gelenkstück | Connecting piece | 70x145x95 |
| 13 | F02 1014 | 2 | Gelenkstück | Connecting piece | 125x215 |
| 14 | F02 1914 | 1 | Gelenkstück | Connecting piece | 150x200 re |
| 15 | F02 1915 | 1 | Gelenkstück | Connecting piece | 180x240x260 li |
| 16 | F03 0168 | 1 | Aufschlagbügel | Clamp | gr.20m SH re |
| 17 | F03 0216 | 1 | Gelenkrohr | Tube | KPL LI SH24/HX21-28 5330x433x343 |
| 18 | F03 0242 | 1 | Abspanner | Guy | SH/HX |
| 19 | F03 0338 | 2 | Horizontaldämpfer | Horizontal damper | SH/HX |
| 20 | F03 0340 | 2 | Klapphebel | Foldable lever | HX |
| 21 | F03 0488 | 1 | Mittelteil | Center section | HX |
| 22 | F03 0608 | 1 | Gelenk | Link | 200x480 |

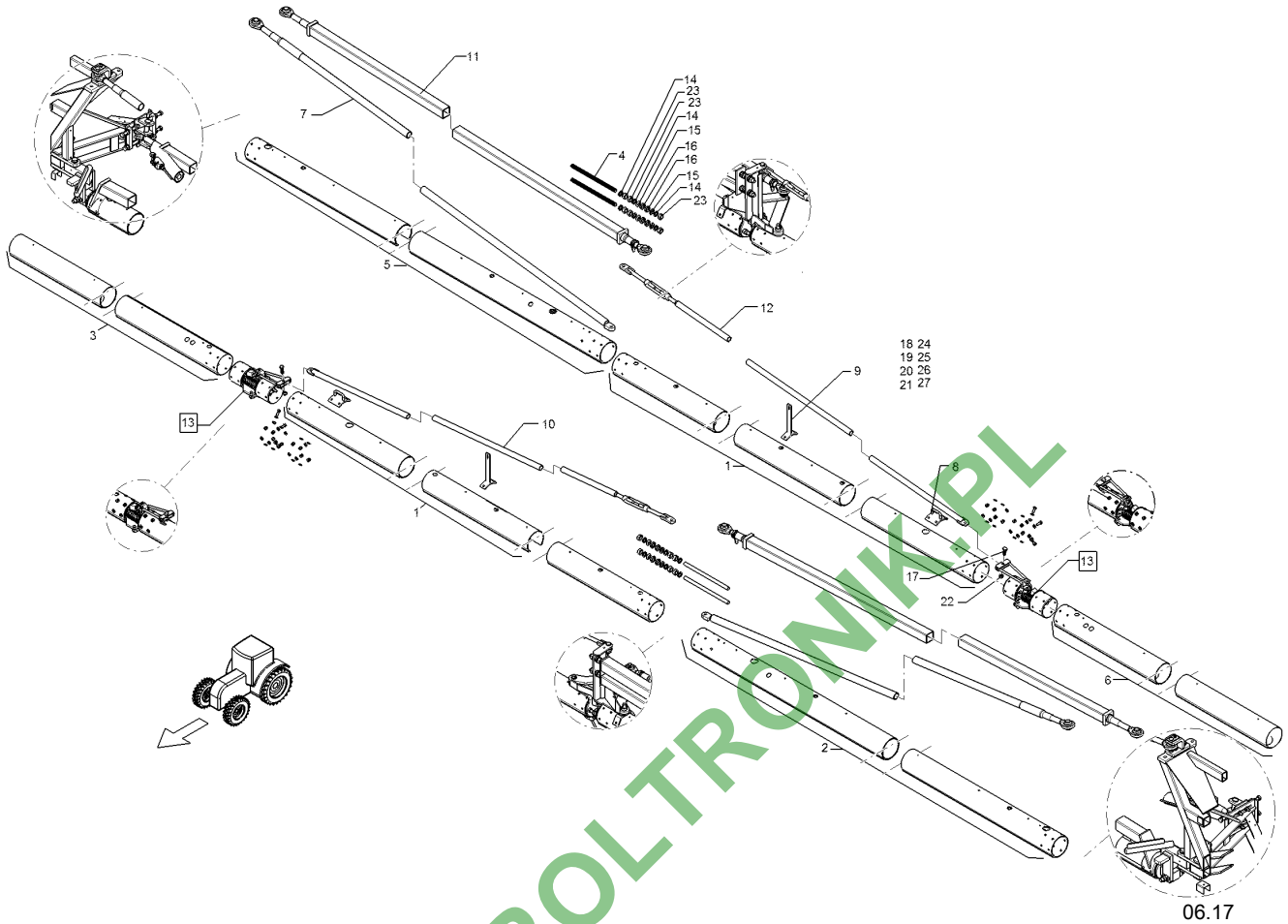


06.17

| Pos. | Art.Nr. | Stck. | Artikeltext / Description | Abmessung | |
|------|----------|-------|---------------------------|--------------------|---------------------------|
| 23 | F03 0609 | 1 | Aufschlagbügel | Clamp | gr.20m SH li |
| 24 | F03 4561 | 1 | Abspanner | Guy | 5330x433x343 |
| 25 | F06 1444 | 1 | Hangverstellung | Slope compensation | SH/HX/DLA |
| 26 | F06 1670 | 1 | Gelenk | Link | RE HX |
| 27 | F06 2323 | 1 | Gelenk | Link | LI HX |
| 28 | 311 7617 | 2 | Splint | Peg | 4x40 DIN94-St Zn |
| 29 | 303 0959 | 2 | Sechskantmutter | Hexagon nut | BM20 DIN439-8 Zn |
| 30 | 30310130 | 2 | Sechskantmutter | Hexagon nut | BM14 DIN439-8 Zn5 |
| 31 | F20 0423 | 2 | Hutmutter | Cap nut | M16 A2 DIN917 |
| 32 | F20 0763 | 2 | Spannhülse | Expansion bush | 4x30-Fst. DIN1481 |
| 33 | 309 6068 | 4 | Spannhülse | Expansion bush | 8x30-DIN1481 Zn |
| 34 | F25 0484 | 4 | Gummipuffer | Rubber buffer | 40/25 bk |
| 35 | F25 0493 | 6 | Schmiernippel | Grease nipple | H1 M8x1,25 Zn DIN71412 |
| 36 | F25 0641 | 2 | Gelenkkopf | Joint end | BEM 14-20-501 |
| 37 | F51 0252 | 2 | Aufkleber | Label | LEMKEN (465x110) |
| 38 | F51 0268 | 6 | Aufkleber | Label | - |
| 39 | F51 0277 | 2 | Aufkleber | Label | - |
| 40 | F60 0142 | 2 | T-Verschraubung | T-union | AD8 |
| 41 | F60 0273 | 4 | Hydraulikschlauch | Hydraulic hose | DN6/4x1660/M14x1,5 |
| 42 | F61 2418 | 9 | Leichtbauschelle | Clip | 12,7 PP |
| 43 | 301 3837 | 4 | Sechskantschraube | Hexagon bolt | M16x60-8.8 Zn DIN931-A |

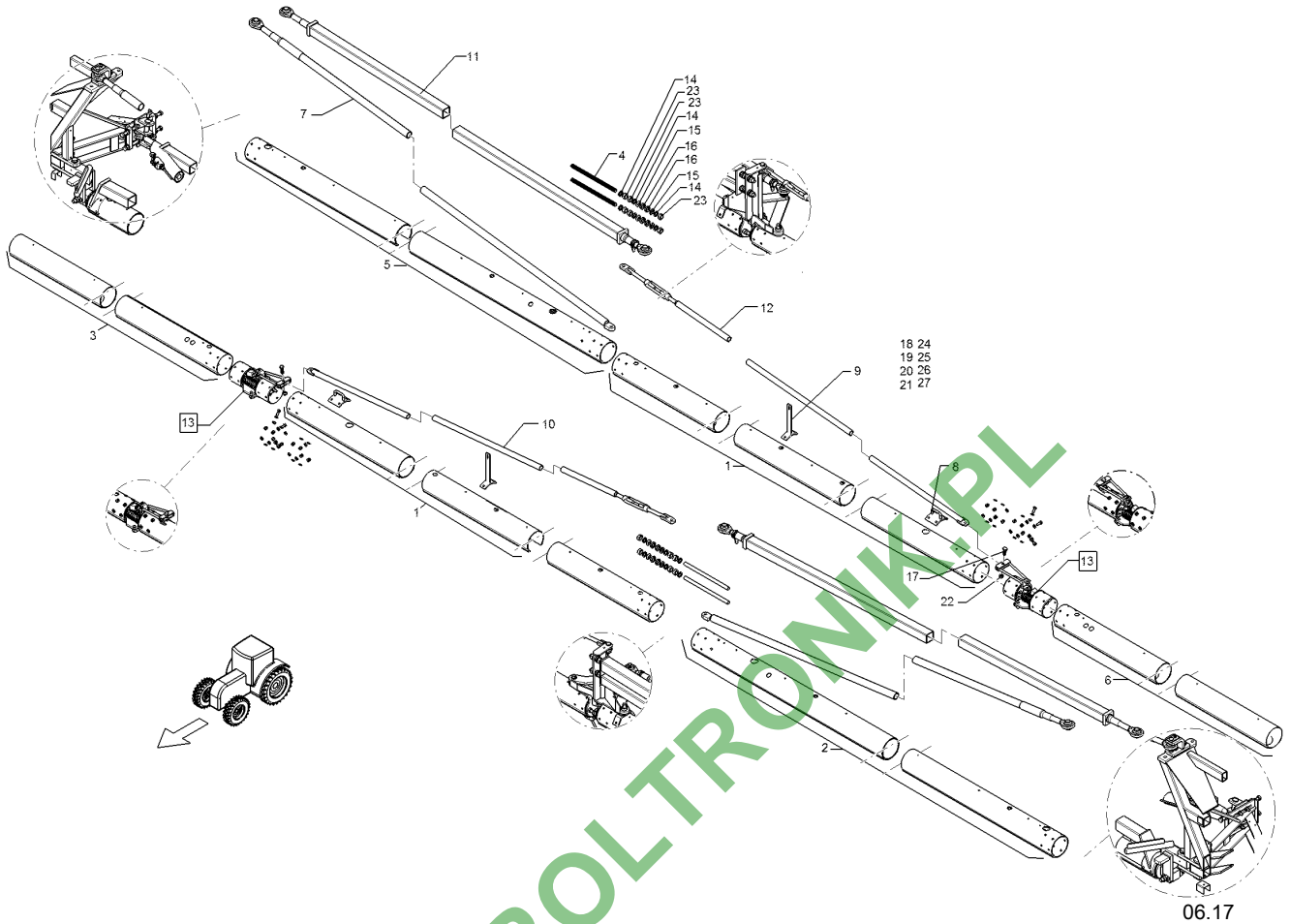


| Pos. | Art.Nr. | Stck. | Artikeltext / Description | Abmessung |
|------|----------|-------|---------------------------|-------------------------|
| 65 | 30310043 | 4 | Sicherungsmutter | NM8 DIN985-A4 |
| 66 | 305 6017 | 9 | Scheibe | 21/37x3 A2 DIN125 |
| 67 | 305 6141 | 2 | Scheibe | 17/30x3 DIN/ISO-7089 |
| 68 | 305 8695 | 4 | Scheibe | A8,4 DIN125 A2 |
| 69 | 305 8703 | 4 | Scheibe | 6,4 DIN9021 A2 |
| 70 | 305 8704 | 76 | Scheibe | A10,5 DIN125-St A2 |
| 71 | 305 8709 | 12 | Scheibe | 13 DIN125-A A2 |
| 72 | 30510089 | 2 | Scheibe | D13/37x3 A2 DIN9021 |
| 73 | 30510102 | 6 | Federring | 8 Form B-V2A DIN127 |
| 74 | 30510190 | 6 | Scheibe | 20/32x4 Zn DIN1440 |
| 75 | 30510202 | 4 | Federring | 12-B DIN127 A2 |
| 76 | 30510204 | 10 | Passscheibe | 20x28x2 DIN988 A2 |
| 77 | 309 3440 | 4 | Spannhülse | 4x30-DIN1481 A2 |
| 78 | 30910001 | 2 | Spannhülse | 2,5x30 A2 DIN1481 |
| 79 | 30910021 | 4 | Spannhülse | 5x28-DIN1481-A2 |
| 80 | 390 4310 | 2 | Aufkleber | Logo+LEMKEN (35x186) |
| 81 | 57510248 | 2 | Hydraulikzylinder | DZ60/50x530x1238 |



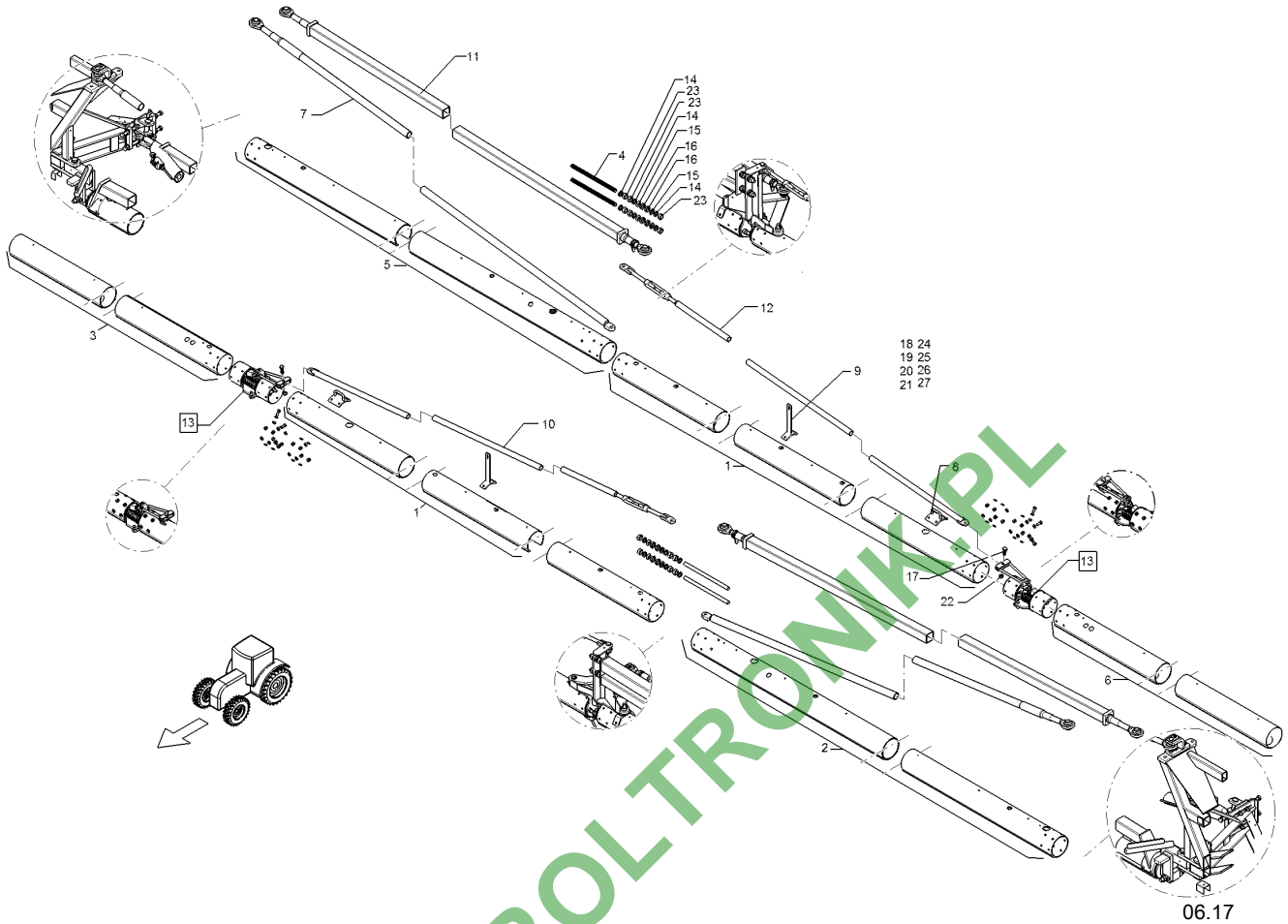
06.17

| Pos. | Art.Nr. | Stck. | Artikeltext / Description | Abmessung |
|------|----------|-------|---------------------------|--|
| 1 | F01 1320 | 2 | Trägerrohr | Tube 133x3x3405 7D |
| 2 | F01 1106 | 1 | Trägerrohr | Tube D137x5x5360 11DUE Re |
| 3 | F01 1319 | 1 | Trägerrohr | Tube 4D 127x3x1805 RE |
| 4 | F01 2164 | 4 | Gewindestange | Threaded rod M20x180 |
| 5 | F01 4782 | 1 | Trägerrohr | Tube D137x5x5360 11DUE Li. |
| 6 | F01 4785 | 1 | Trägerrohr | Tube 4D 127x3x1805 LI |
| 7 | F02 0696 | 1 | Zugstange | Connecting rod 42.5x5375 D16,5 D26 |
| 8 | F02 0781 | 2 | Bügel | Clamp 64,9x90x97 |
| 9 | F02 0848 | 2 | Strebe | Strut 40x80,6x222,7 2xD12 |
| 10 | F02 4560 | 1 | Zugstange | Connecting rod LI HX24-28 |
| 11 | F03 0510 | 2 | Strebe | Strut 60x60x5555 HX 2xD26 |
| 12 | F02 0849 | 2 | Zugstange | Connecting rod HX21/24 SHS20/21 |
| 13 | F03 0154 | 2 | Ausweichgelenk | Joint <24m SH |
| 14 | 305 9908 | 12 | Federring | Spring ring 20 DIN127 Zn |
| 15 | F20 0789 | 8 | Kugelscheibe | Spherical disk DIN 6319 C 21 |
| 16 | F20 0790 | 8 | Kegelpfanne | Conical socket DIN 6319 D 23,2 |
| 17 | 301 3575 | 2 | Sechskantschraube | Hexagon bolt M14x40 8.8 Zn DIN933 |
| 18 | 301 7510 | 100 | Sechskantschraube | Hexagon bolt M10x30-A2 DIN933 |
| 19 | 301 7535 | 16 | Sechskantschraube | Hexagon bolt M10x25-A2 DIN933 |
| 20 | 30110138 | 4 | Sechskantschraube | Hexagon bolt M8x50-A2 DIN931 |



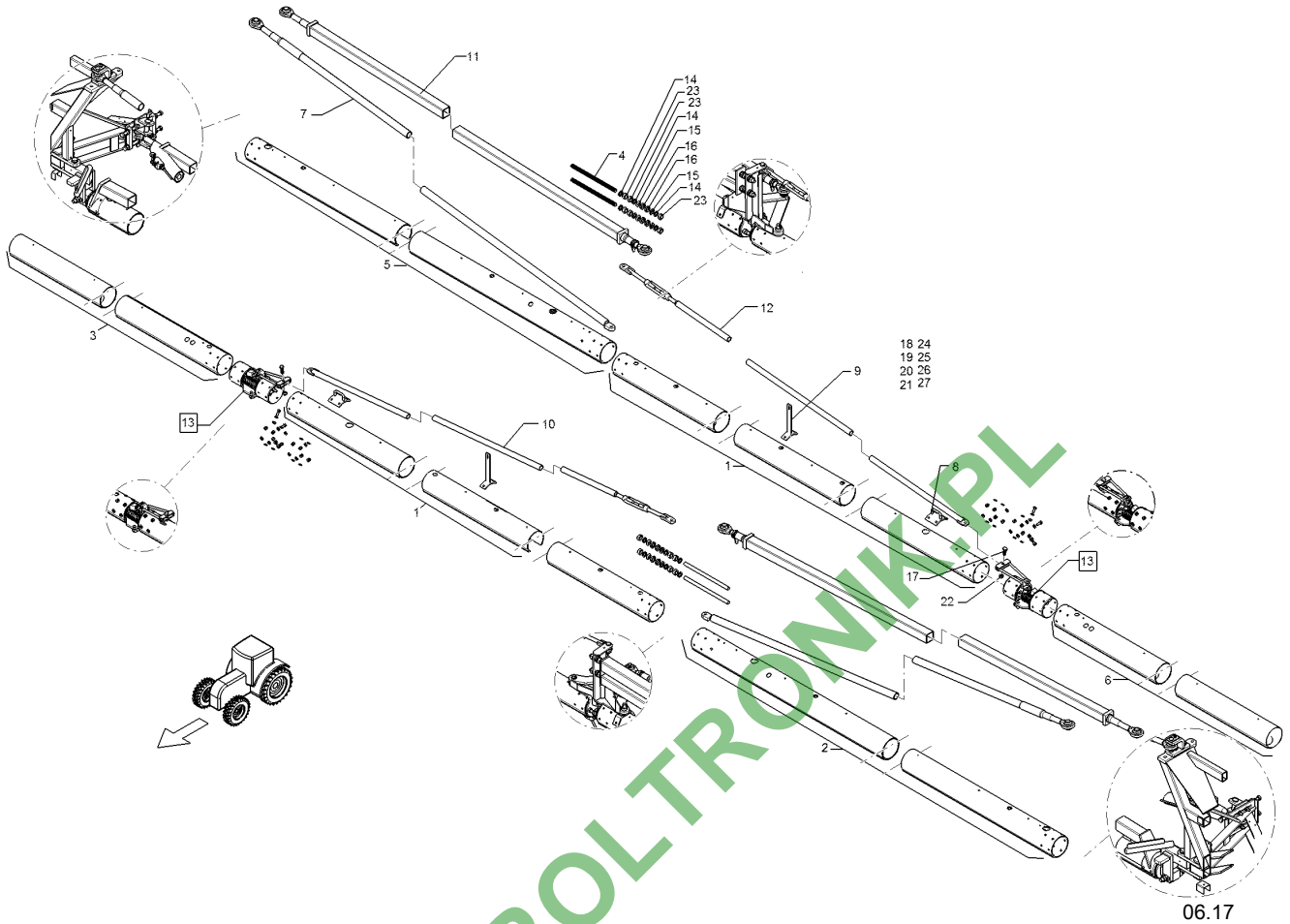
06.17

| Pos. | Art.Nr. | Stck. | Artikeltext / Description | Abmessung | |
|------|----------|-------|---------------------------|-----------------|--------------------|
| 21 | 30110143 | 8 | Sechskantschraube | Hexagon bolt | M10x20-A2 DIN933 |
| 22 | 303 0941 | 2 | Sicherungsmutter | Selflocking nut | NM14-8 Zn DIN985 |
| 23 | 303 0978 | 12 | Sechskantmutter | Hexagon nut | M20 DIN934-8 Zn |
| 24 | 30310029 | 124 | Sicherungsmutter | Selflocking nut | NM10 A4 DIN985 |
| 25 | 30310043 | 4 | Sicherungsmutter | Selflocking nut | NM8 DIN985-A4 |
| 26 | 305 8695 | 8 | Scheibe | Washer | A8,4 DIN125 A2 |
| 27 | 305 8704 | 124 | Scheibe | Washer | A10,5 DIN125-St A2 |
| 28 | F55 0147 | 14 | Stopfen | Plug | R.15a.x1-2 SYN bk |



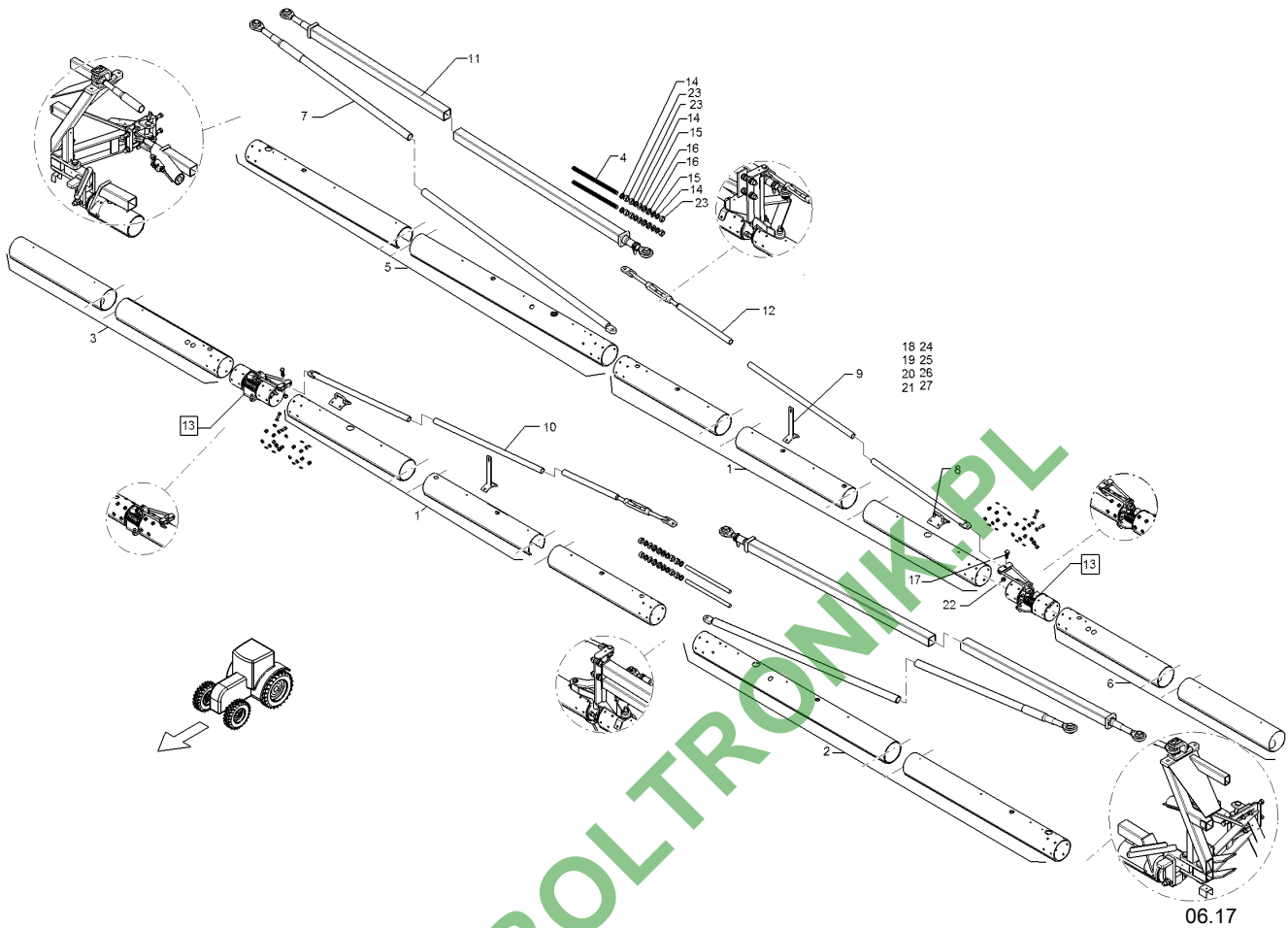
06.17

| Pos. | Art.Nr. | Stck. | Artikeltext / Description | Abmessung |
|------|----------|-------|---------------------------|--|
| 1 | F01 1101 | 2 | Trägerrohr | Tube 133x3x4405 9D |
| 2 | F01 1106 | 1 | Trägerrohr | Tube D137x5x5360 11DUE Re |
| 3 | F01 1107 | 1 | Trägerrohr | Tube 133x3x4405 9D |
| 4 | F01 2164 | 4 | Gewindestange | Threaded rod M20x180 |
| 5 | F01 4782 | 1 | Trägerrohr | Tube D137x5x5360 11DUE Li. |
| 6 | F01 4784 | 1 | Trägerrohr | Tube 133x3x4405 re. 9D |
| 7 | F02 0696 | 1 | Zugstange | Connecting rod 42.5x5375 D16,5 D26 |
| 8 | F02 0781 | 2 | Bügel | Clamp 64,9x90x97 |
| 9 | F02 0848 | 2 | Strebe | Strut 40x80,6x222,7 2xD12 |
| 10 | F02 4560 | 1 | Zugstange | Connecting rod LI HX24-28 |
| 11 | F03 0510 | 2 | Strebe | Strut 60x60x5555 HX 2xD26 |
| 12 | F03 0531 | 2 | Zugstrebe | Diagonal tie M20x4295 |
| 13 | F04 0196 | 2 | Ausweichgelenk | Joint >24m SH |
| 14 | 305 9908 | 12 | Federring | Spring ring 20 DIN127 Zn |
| 15 | F20 0789 | 8 | Kugelscheibe | Spherical disk DIN 6319 C 21 |
| 16 | F20 0790 | 8 | Kegelpfanne | Conical socket DIN 6319 D 23,2 |
| 17 | 301 3575 | 2 | Sechskantschraube | Hexagon bolt M14x40 8.8 Zn DIN933 |
| 18 | 301 7510 | 100 | Sechskantschraube | Hexagon bolt M10x30-A2 DIN933 |
| 19 | 301 7535 | 40 | Sechskantschraube | Hexagon bolt M10x25-A2 DIN933 |
| 20 | 30110138 | 4 | Sechskantschraube | Hexagon bolt M8x50-A2 DIN931 |



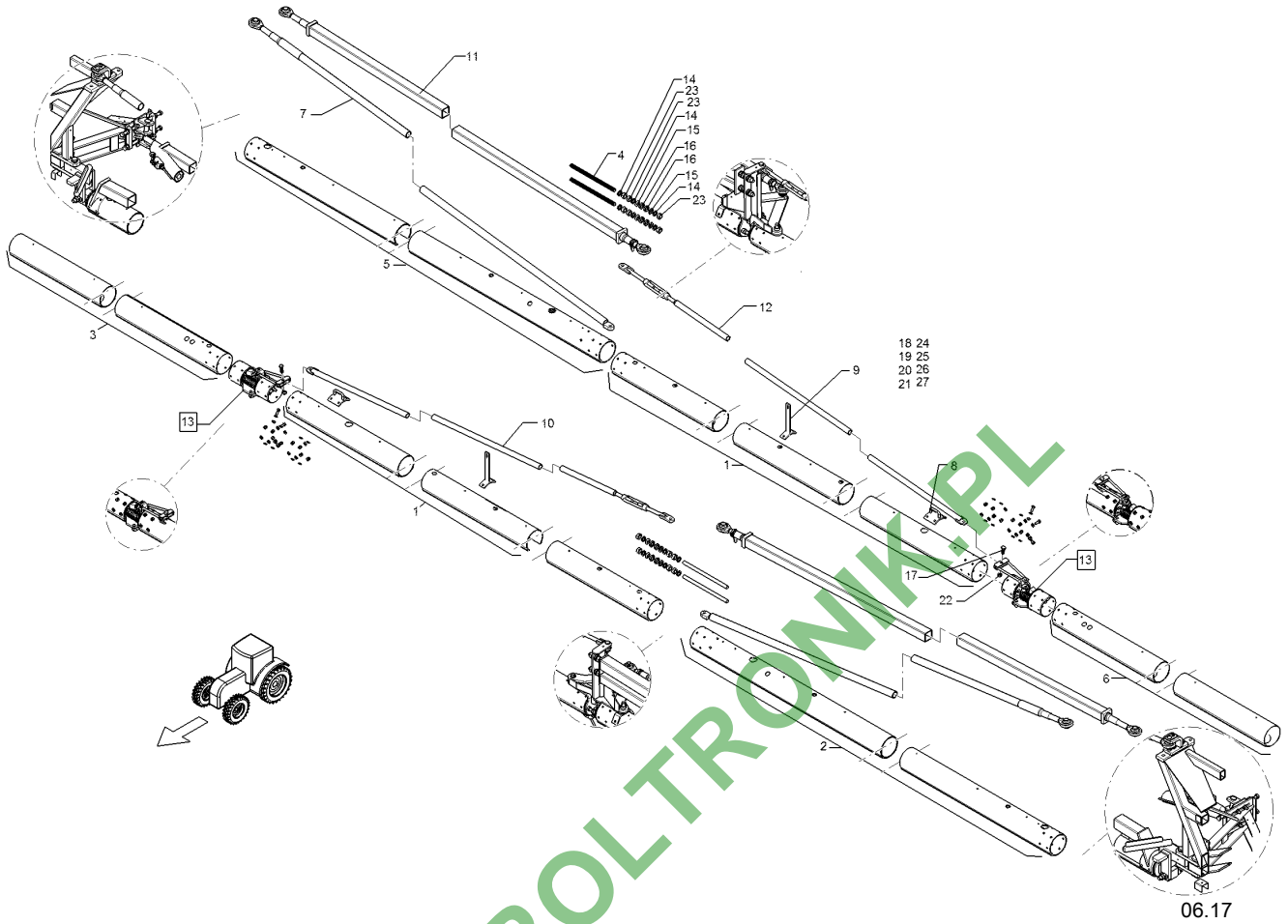
06.17

| Pos. | Art.Nr. | Stck. | Artikeltext / Description | Abmessung | |
|------|----------|-------|---------------------------|-----------------|--------------------|
| 21 | 30110143 | 8 | Sechskantschraube | Hexagon bolt | M10x20-A2 DIN933 |
| 22 | 303 0941 | 2 | Sicherungsmutter | Selflocking nut | NM14-8 Zn DIN985 |
| 23 | 303 0978 | 12 | Sechskantmutter | Hexagon nut | M20 DIN934-8 Zn |
| 24 | 30310029 | 144 | Sicherungsmutter | Selflocking nut | NM10 A4 DIN985 |
| 25 | 30310043 | 4 | Sicherungsmutter | Selflocking nut | NM8 DIN985-A4 |
| 26 | 305 8695 | 8 | Scheibe | Washer | A8,4 DIN125 A2 |
| 27 | 305 8704 | 148 | Scheibe | Washer | A10,5 DIN125-St A2 |



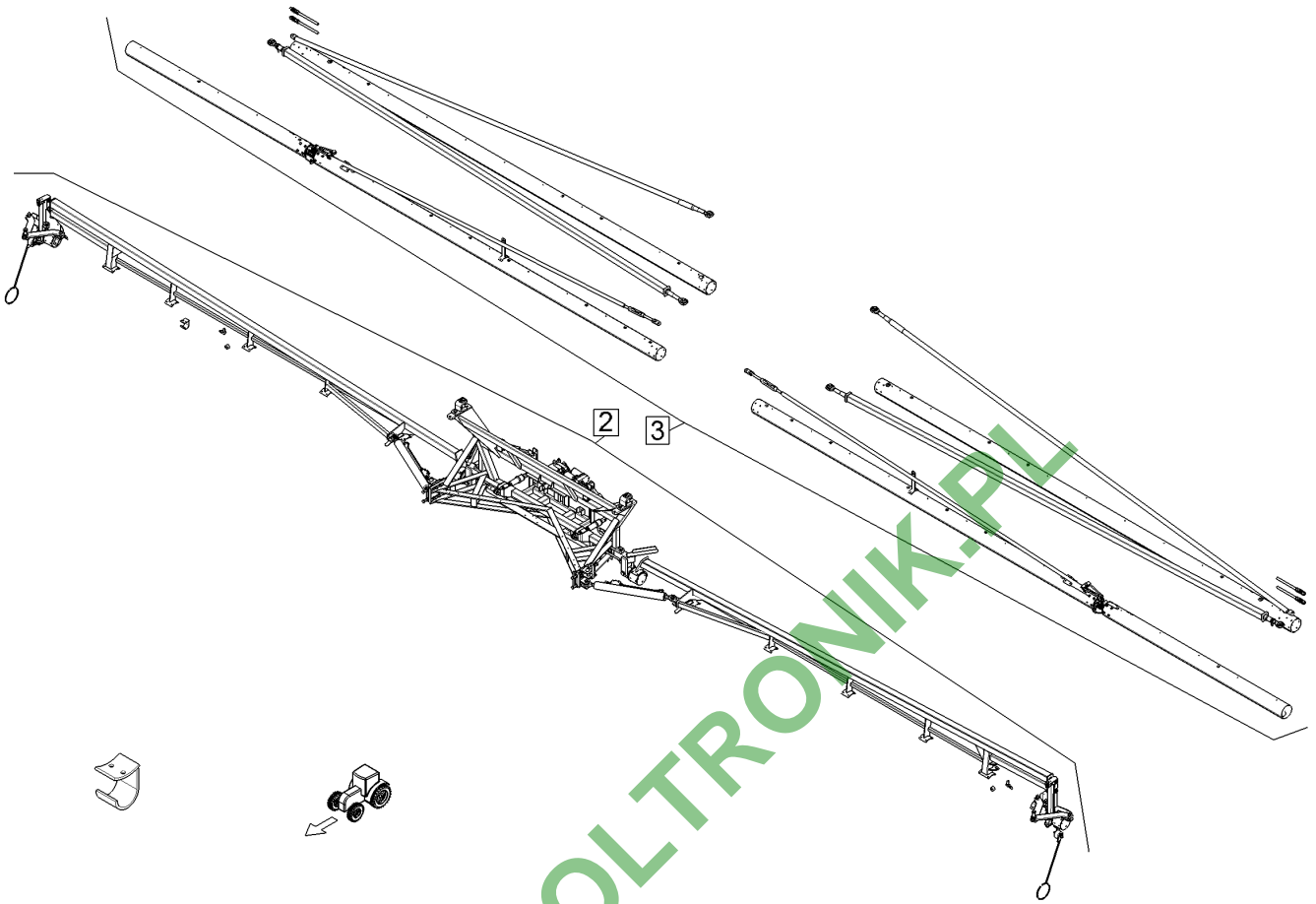
06.17

| Pos. | Art.Nr. | Stck. | Artikeltext / Description | Abmessung |
|------|----------|-------|---------------------------|--|
| 1 | F01 1101 | 2 | Trägerrohr | Tube 133x3x4405 9D |
| 2 | F01 1106 | 1 | Trägerrohr | Tube D137x5x5360 |
| 3 | F01 1112 | 1 | Trägerrohr | Tube 11DUE Re D133x3x2805 6DUE |
| 4 | F01 2164 | 4 | Gewindestange | Threaded rod Re |
| 5 | F01 4782 | 1 | Trägerrohr | Tube M20x180 D137x5x5360 |
| 6 | F01 4783 | 1 | Trägerrohr | Tube 11DUE Li. D133x3x2805 6DUE |
| 7 | F02 0696 | 1 | Zugstange | Connecting rod li |
| 8 | F02 0781 | 2 | Bügel | Clamp 42.5x5375 D16,5 |
| 9 | F02 0848 | 2 | Strebe | Strut D26 64,9x90x97 |
| 10 | F02 4560 | 1 | Zugstange | Connecting rod 2xD12 LI HX24-28 |
| 11 | F03 0510 | 2 | Strebe | Strut 60x60x5555 HX |
| 12 | F03 0531 | 2 | Zugstrebe | Diagonal tie 2xD26 M20x4295 |
| 13 | F04 0196 | 2 | Ausweichgelenk | Joint >24m SH |
| 14 | 305 9908 | 12 | Federring | Spring ring 20 DIN127 Zn |
| 15 | F20 0789 | 8 | Kugelscheibe | Spherical disk DIN 6319 C 21 |
| 16 | F20 0790 | 8 | Kegelpfanne | Conical socket DIN 6319 D 23,2 |
| 17 | 301 3575 | 2 | Sechskantschraube | Hexagon bolt DIN933 M14x40 8.8 Zn |
| 18 | 301 7510 | 100 | Sechskantschraube | Hexagon bolt M10x30-A2 DIN933 |
| 19 | 301 7535 | 40 | Sechskantschraube | Hexagon bolt DIN933 M10x25-A2 DIN933 |



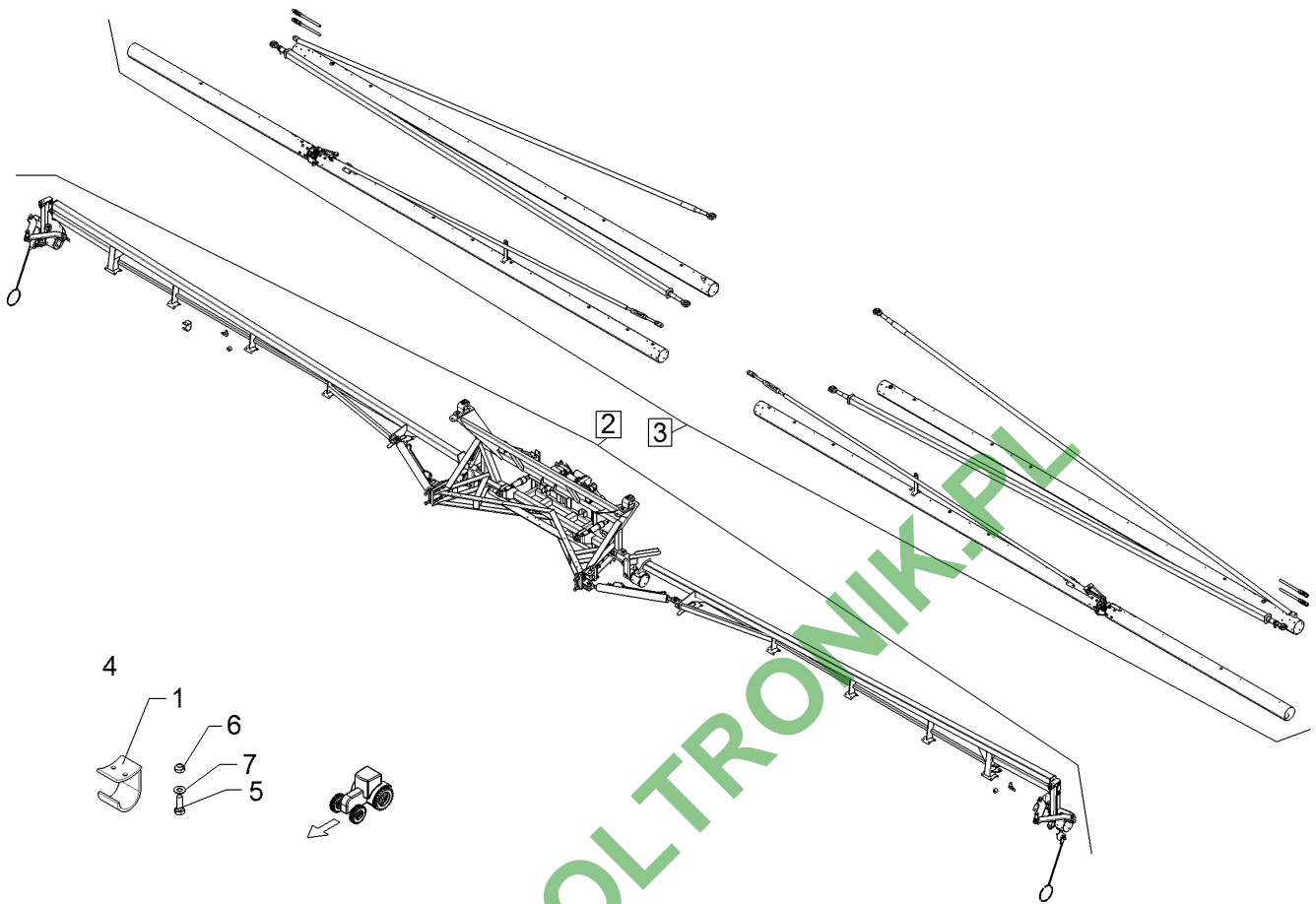
| Pos. | Art.Nr. | Stck. | Artikeltext / Description | Abmessung | |
|------|----------|-------|---------------------------|-----------------|--------------------|
| 20 | 30110138 | 4 | Sechskantschraube | Hexagon bolt | M8x50-A2 DIN931 |
| 21 | 30110143 | 8 | Sechskantschraube | Hexagon bolt | M10x20-A2 DIN933 |
| 22 | 303 0941 | 2 | Sicherungsmutter | Selflocking nut | NM14-8 Zn DIN985 |
| 23 | 303 0978 | 12 | Sechskantmutter | Hexagon nut | M20 DIN934-8 Zn |
| 24 | 30310029 | 144 | Sicherungsmutter | Selflocking nut | NM10 A4 DIN985 |
| 25 | 30310043 | 4 | Sicherungsmutter | Selflocking nut | NM8 DIN985-A4 |
| 26 | 305 8695 | 8 | Scheibe | Washer | A8,4 DIN125 A2 |
| 27 | 305 8704 | 148 | Scheibe | Washer | A10,5 DIN125-St A2 |

| | |
|------------------------------------|-----------------|
| Spritzgestänge/Linkage | 6 |
| EuroTrain 2600 TC / 3500 TC | F06 1386 |



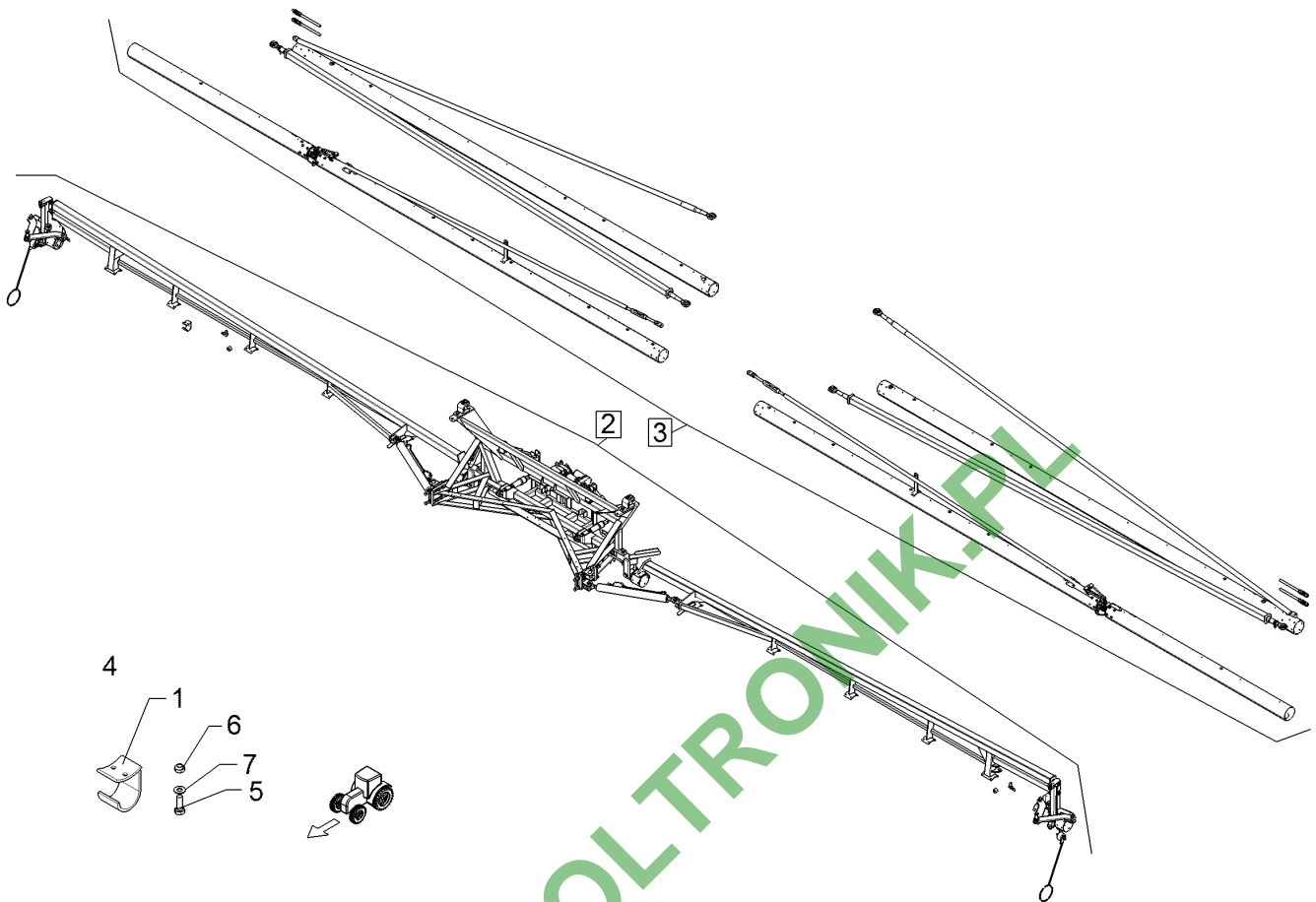
06.17

| Pos. | Art.Nr. | Stck. | Artikeltext / Description | Abmessung | |
|------|----------|-------|---------------------------|-----------|----------|
| 2 | F06 1147 | 1 | Spritzgestänge | Linkage | HX 24-28 |
| 3 | F06 1162 | 1 | Spritzgestänge | Linkage | HX 24 |



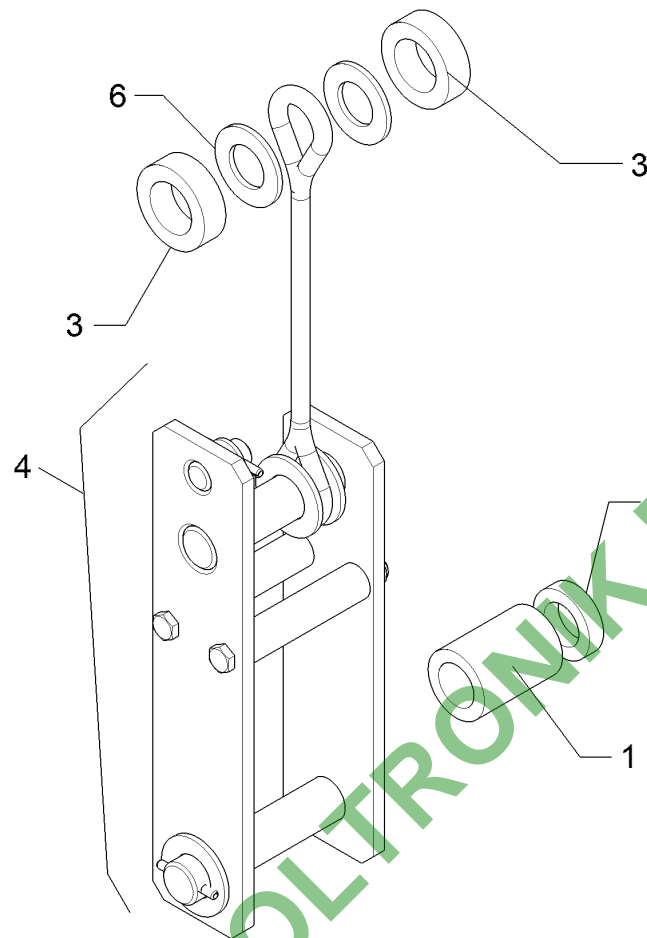
06.17

| Pos. | Art.Nr. | Stck. | Artikeltext / Description | Abmessung | |
|------|----------|-------|---------------------------|-----------------|-----------------|
| 1 | F02 0357 | 2 | Abstandshalter | Spacer | 66x75x50 2xd9 |
| 2 | F06 1147 | 1 | Spritzgestänge | Linkage | HX 24-28 |
| 3 | F06 1172 | 1 | Spritzgestänge | Linkage | HX27 |
| 4 | F60 0967 | 15 | Schutzkappe | Cap | - |
| 5 | 301 6751 | 4 | Sechskantschraube | Hexagon bolt | M8x20-A2 DIN933 |
| 6 | 30310043 | 4 | Sicherungsmutter | Selflocking nut | NM8 DIN985-A4 |
| 7 | 305 8695 | 4 | Scheibe | Washer | A8,4 DIN125 A2 |



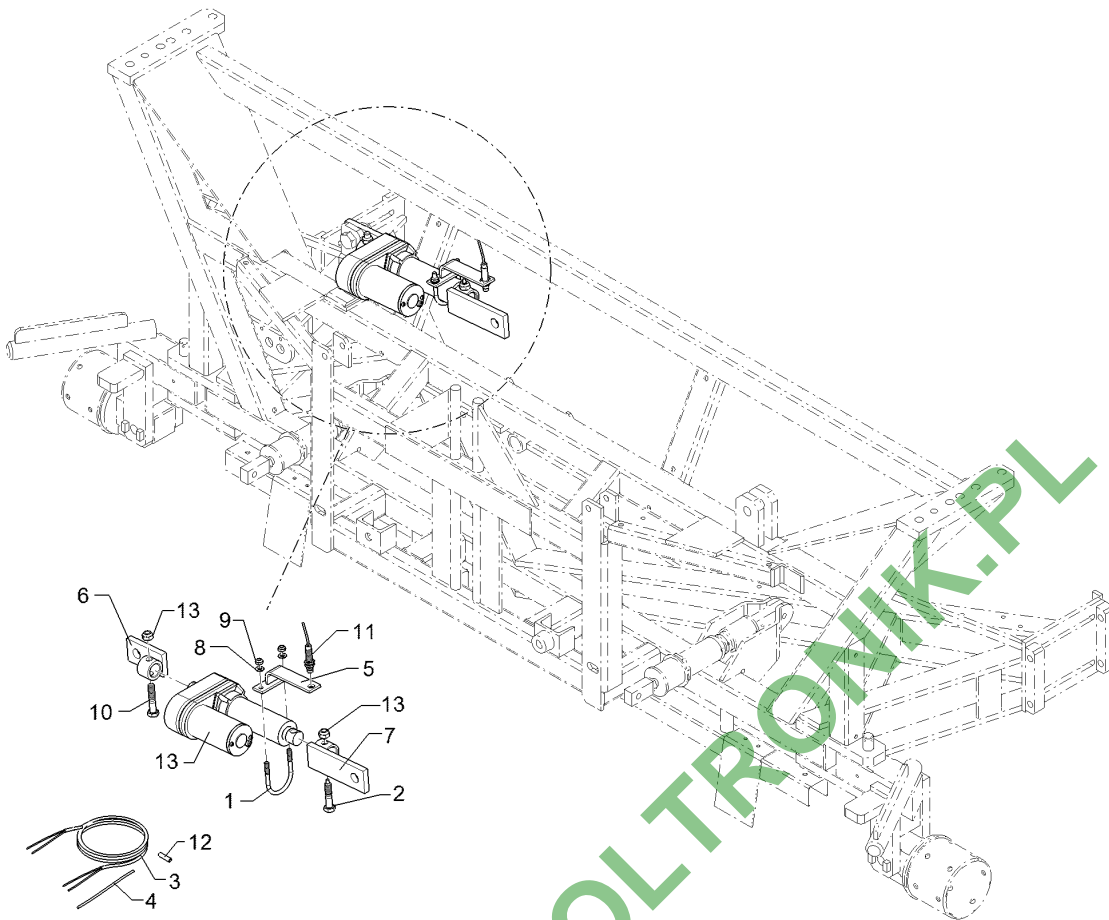
06.17

| Pos. | Art.Nr. | Stck. | Artikeltext / Description | Abmessung | |
|------|----------|-------|---------------------------|-----------------|-----------------|
| 1 | F02 0357 | 2 | Abstandshalter | Spacer | 66x75x50 2xd9 |
| 2 | F06 1147 | 1 | Spritzgestänge | Linkage | HX 24-28 |
| 3 | F06 1178 | 1 | Spritzgestänge | Linkage | HX 28 |
| 4 | F60 0967 | 15 | Schutzkappe | Cap | - |
| 5 | 301 6751 | 4 | Sechskantschraube | Hexagon bolt | M8x20-A2 DIN933 |
| 6 | 30310043 | 4 | Sicherungsmutter | Selflocking nut | NM8 DIN985-A4 |
| 7 | 305 8695 | 4 | Scheibe | Washer | A8,4 DIN125 A2 |



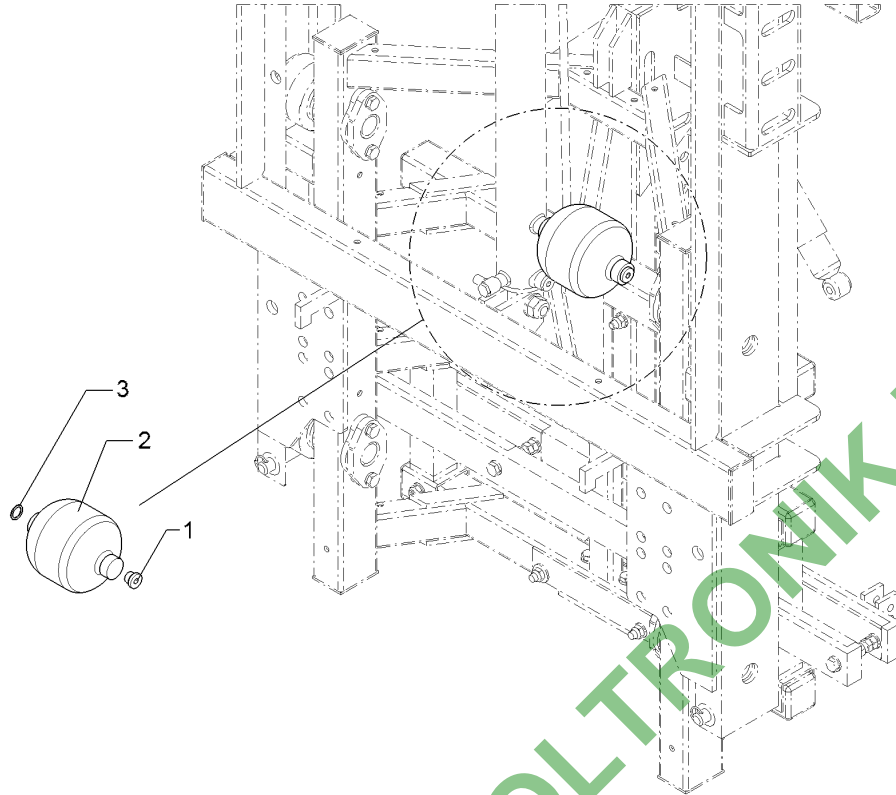
06.17

| Pos. | Art.Nr. | Stck. | Artikeltext / Description | Abmessung | |
|------|----------|-------|---------------------------|---------------------|-----------------|
| 1 | F01 1492 | 1 | Hülse | Bushing | D50/31,0x69,5 |
| 2 | F01 1494 | 1 | Hülse | Bushing | - |
| 3 | F01 1497 | 2 | Hülse | Bushing | D60/37x19 |
| 4 | F06 0319 | 1 | Gelenklager | Articulated bearing | kpl. Basis |
| 6 | 30510072 | 2 | Scheibe | Washer | 31 DIN125 St-Zn |



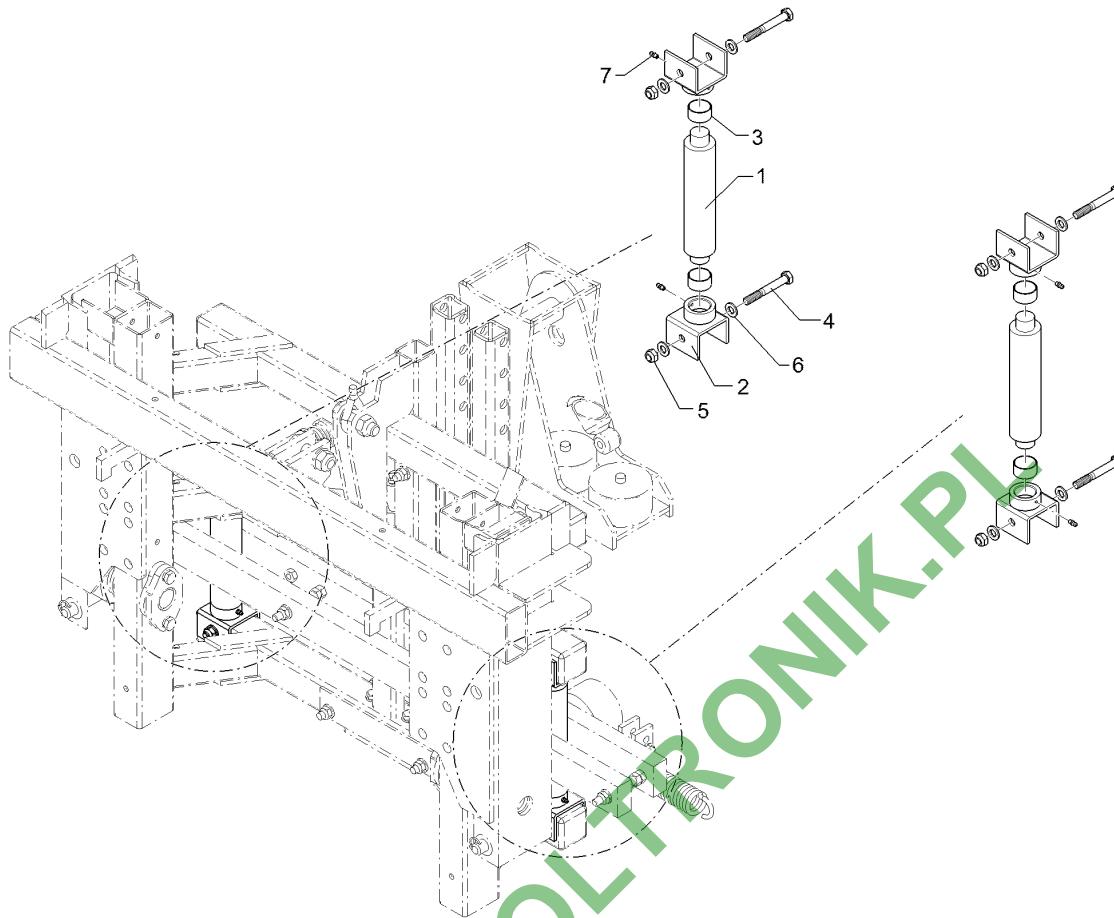
06.17

| Pos. | Art.Nr. | Stck. | Artikeltext / Description | | Abmessung |
|------|----------|-------|------------------------------|------------------------|------------------------------|
| 1 | F01 0555 | 1 | Bügelschraube | U-bolt | M8x61x76 A2 |
| 2 | F01 1313 | 1 | Sechskantschraube mit Zapfen | Hexagon bolt | M12x60 D6x5ZN |
| 3 | F01 2572 | 1 | Kabel | Cable | 2x1,5 ² x7200 bk |
| 4 | F01 2573 | 1 | Schrumpfschlauch | Heat-shrinkable sleeve | 9/3x200 |
| 5 | F02 0559 | 1 | Sensorhalter | Sensor holder | 130x35x80 2xd9 d13 |
| 6 | F02 1160 | 1 | Anschlusstück | Fitting | 50x52x95 d20 d26 |
| 7 | F02 1161 | 1 | Anschlusstück | Fitting | - |
| 8 | 305 8695 | 2 | Scheibe | Washer | A8,4 DIN125 A2 |
| 9 | 30310043 | 2 | Sicherungsmutter | Selflocking nut | NM8 DIN985-A4 |
| 10 | 30110573 | 1 | Sechskantschraube | Hexagon bolt | M12x60-A2 DIN931 |
| 11 | F40 0241 | 1 | Sensor | Sensor | M12x60 3P LED (on/gn) V4A |
| 12 | F41 0207 | 2 | Stoßverbinder | Connector | 0,5-1 mm ² 670 N |
| 13 | F41 0394 | 1 | Elektrozylinder | Ram | AD10-24-20-A-102 |
| 14 | 30310030 | 2 | Sicherungsmutter | Selflocking nut | NM12 DIN985-A4 |



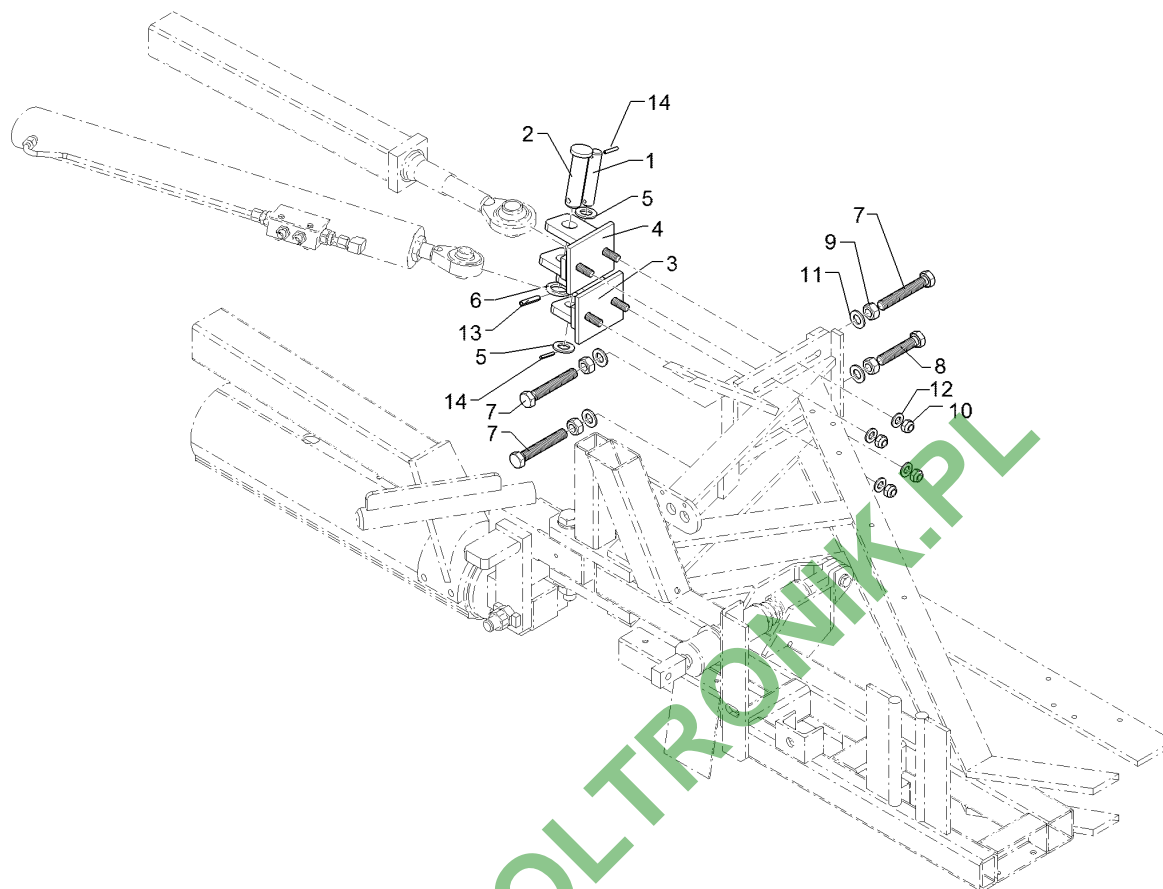
06.17

| Pos. | Art.Nr. | Stck. | Artikeltext / Description | | Abmessung |
|------|----------|-------|---------------------------|-----------------------|----------------------------|
| 1 | F60 0148 | 1 | Verschlusschraube | Plug | M18x1,5 |
| 2 | F60 0436 | 1 | Hydrospeicher | Hydraulic accumulator | - |
| 3 | F61 2345 | 1 | Kupfering | Seal ring | 18x24x1,5 1/k DIN7603 A |



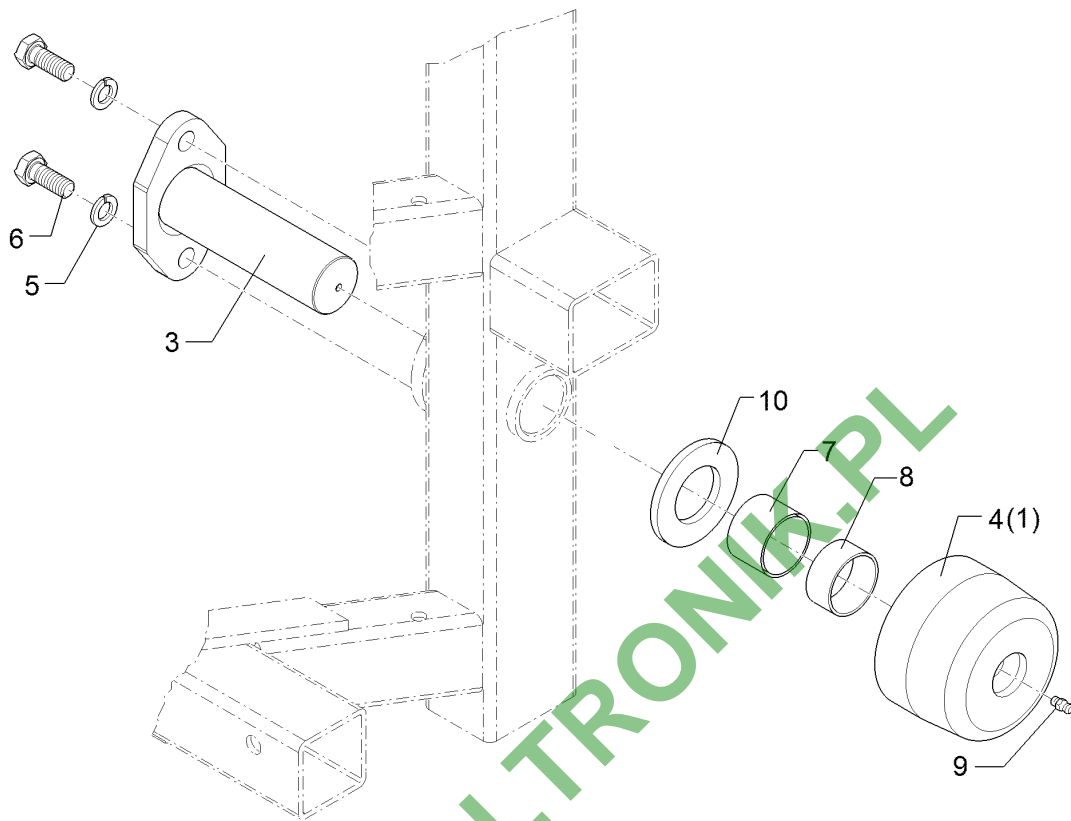
06.17

| Pos. | Art.Nr. | Stck. | Artikeltext / Description | Abmessung | |
|------|----------|-------|---------------------------|-----------------|------------------|
| 1 | F01 3733 | 1 | Rund | Round steel | 50x247 2x30x20 |
| 2 | F02 1676 | 2 | Halter | Holder | 70x70x70 |
| 3 | F25 0366 | 2 | Buchse | Bush | 30x34x20 |
| 4 | 30110108 | 2 | Sechskantschraube | Hexagon bolt | M12x90-A2 DIN931 |
| 5 | 30310030 | 2 | Sicherungsmutter | Selflocking nut | NM12 DIN985-A4 |
| 6 | 305 8709 | 4 | Scheibe | Washer | 13 DIN125-A A2 |
| 7 | 323 6345 | 2 | Schmiernippel gerade | Grease nipple | LAM 6 DIN71412 |



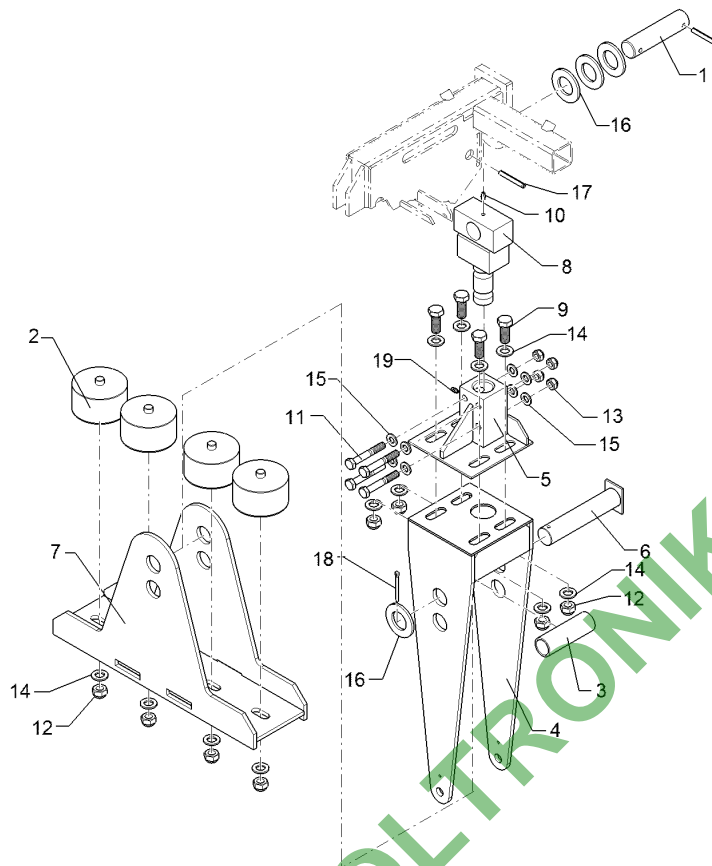
06.17

| Pos. | Art.Nr. | Stck. | Artikeltext / Description | Abmessung | |
|------|----------|-------|---------------------------|-----------------|---------------------------|
| 1 | F01 0755 | 1 | Bolzen | Pin | 19x95 2xd5 |
| 2 | F01 0827 | 1 | Bolzen | Pin | 25/35x94/100 d8 |
| 3 | F02 0358 | 1 | Konsole | Bracket | 90x99x120 2xM12 d19 RE |
| 4 | F02 0759 | 1 | Konsole | Bracket | 90x99x125 2xM12 d25 RE |
| 5 | 30510227 | 2 | Scheibe | Washer | 19 DIN125 Zn5 |
| 6 | 30510239 | 1 | Scheibe | Washer | 26 DIN1441 Zn5 |
| 7 | 30110154 | 3 | Sechskantschraube | Hexagon bolt | M16x100-A2 DIN933 |
| 8 | 30110557 | 1 | Sechskantschraube | Hexagon bolt | M16x80-8.8 Zn5 DIN933 |
| 9 | 303 1015 | 4 | Sechskantmutter | Hexagon nut | M16 DIN934-8 Zn |
| 10 | 30310030 | 4 | Sicherungsmutter | Selflocking nut | NM12 DIN985-A4 |
| 11 | 305 6141 | 4 | Scheibe | Washer | 17/30x3 DIN/ISO-7089 |
| 12 | 305 8709 | 8 | Scheibe | Washer | 13 DIN125-A A2 |
| 13 | 309 3470 | 1 | Spannhülse | Expansion bush | 8x40 A2 DIN1481 |
| 14 | 30910009 | 2 | Spannhülse | Expansion bush | 5x30-DIN1481-A2 |



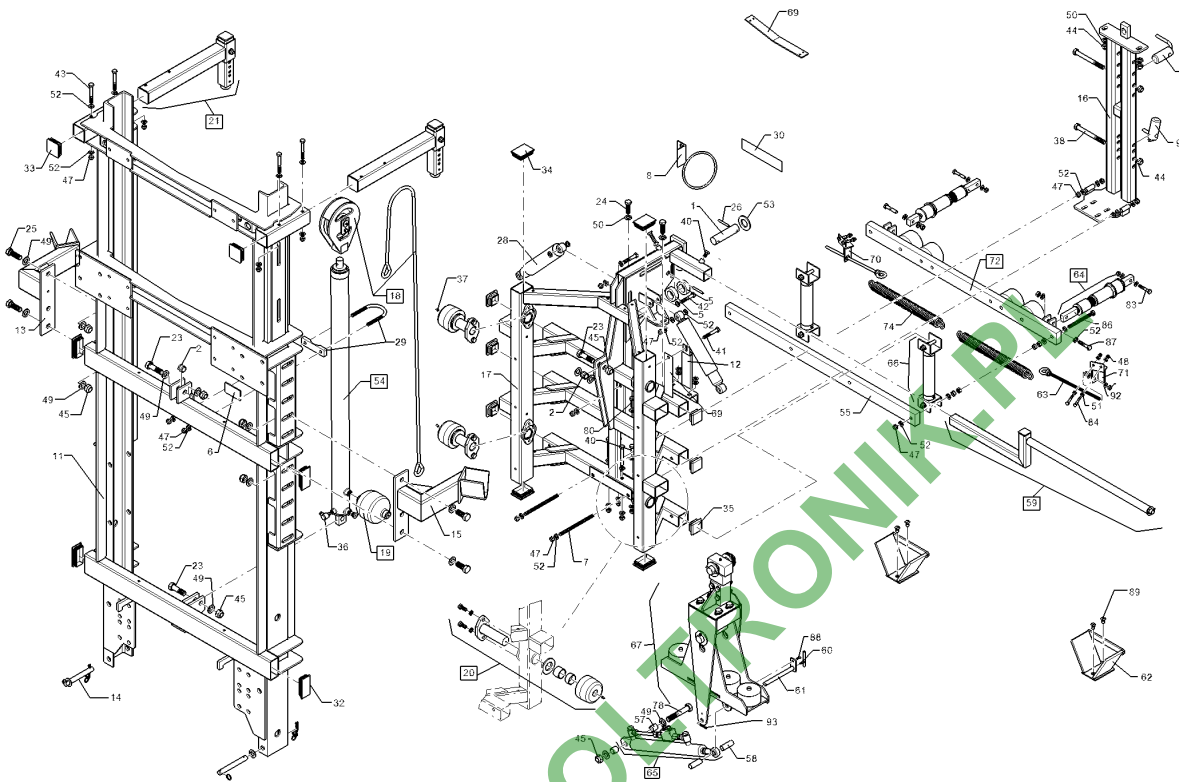
06.17

| Pos. | Art.Nr. | Stck. | Artikeltext / Description | Abmessung | |
|------|----------|-------|---------------------------|-------------------|--------------------|
| 1 | F01 3784 | 1 | Laufrolle | Roller | 103x69x44 |
| 2 | F01 3815 | 1 | Scheibe | Washer | 41 HX/DL |
| 3 | F02 1692 | 1 | Welle mit Flansch | Shaft with flange | D40 120x70 |
| 4 | F11 1505 | 1 | Laufrolle | Roller | 103x69x44 |
| 5 | 305 9902 | 2 | Federring | Spring ring | 12 DIN127 Zn |
| 6 | 301 3324 | 2 | Sechskantschraube | Hexagon bolt | M12x30-8.8 Zn |
| 7 | F25 0307 | 1 | Buchse | Bush | DIN933 40/44x30 |
| 8 | F25 0367 | 1 | Buchse | Bush | 40x44x20 |
| 9 | 323 6345 | 1 | Schmiernippel gerade | Grease nipple | LAM 6 DIN71412 |
| 10 | 305 6431 | 1 | Scheibe | Washer | 40 DIN125 Zn |



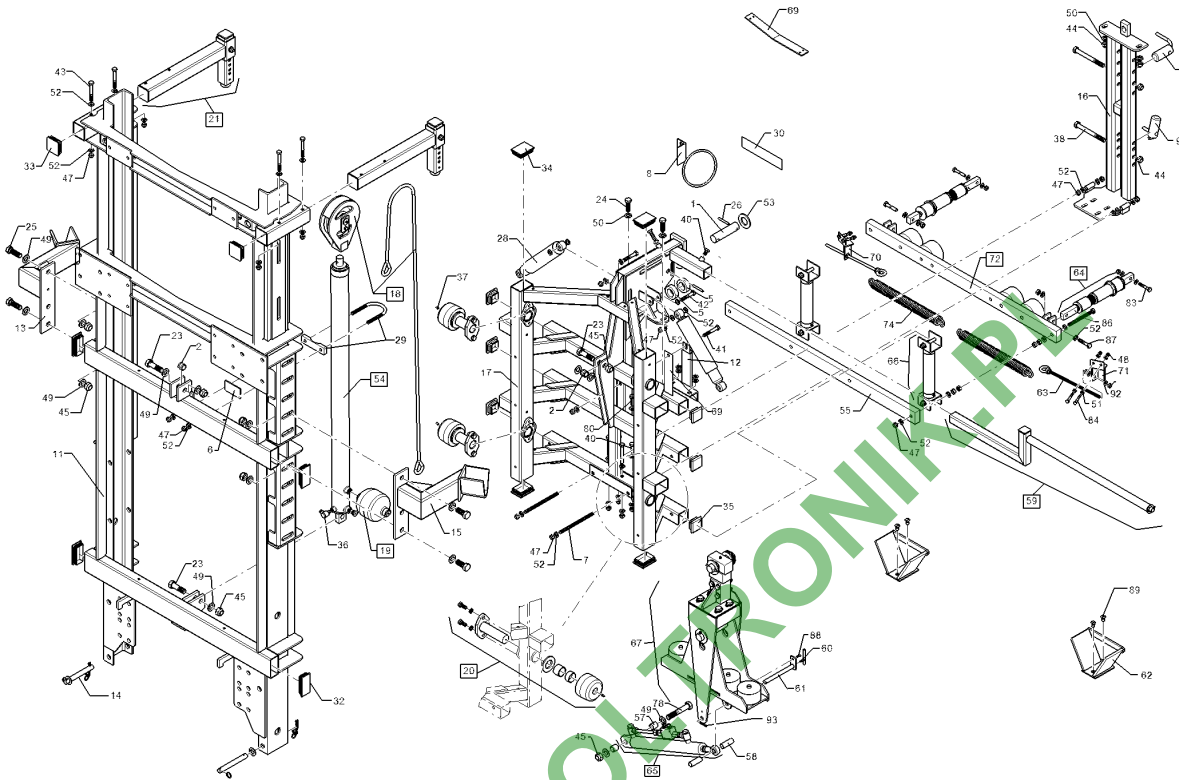
06.17

| Pos. | Art.Nr. | Stck. | Artikeltext / Description | Abmessung | |
|------|----------|-------|---------------------------|-----------------|-------------------|
| 1 | F01 1469 | 1 | Bolzen | Pin | D35x140 2d8 |
| 2 | F01 3729 | 4 | Gummipuffer | Rubber buffer | Typ-A 100/55 |
| 3 | F01 3866 | 1 | Hülse | Bushing | M16x10 M16x25 |
| 4 | F02 1671 | 1 | Gelenkarm | Articulated arm | D42,4/35,9x114,5 |
| 5 | F02 1672 | 1 | Konsole | Bracket | 156x160x585 |
| 6 | F02 1673 | 1 | Bolzen | Pin | 109x156x160 d35 |
| 7 | F02 1674 | 1 | Konsole | Bracket | D35x179 D6 |
| 8 | F02 1675 | 1 | Gelenk | Link | 131x340,5x508 |
| 9 | F20 0591 | 4 | Sechskantschraube | Hexagon bolt | 50x100x189 D35 |
| 10 | F25 0494 | 1 | Schmiernippel | Grease nipple | M16x40-8.8 Zn |
| 11 | 30110094 | 4 | Sechskantschraube | Hexagon bolt | DIN933 |
| 12 | 303 0935 | 8 | Sicherungsmutter | Selflocking nut | H3 M8x1,25 90 GRD |
| 13 | 30310030 | 4 | Sicherungsmutter | Selflocking nut | Zn |
| 14 | 305 6141 | 12 | Scheibe | Washer | M12x80-A2 DIN931 |
| 15 | 305 8709 | 8 | Scheibe | Washer | NM16-8 Zn DIN985 |
| 16 | 30510074 | 5 | Scheibe | Washer | NM12 DIN985-A4 |
| 17 | 30910034 | 2 | Spannhülse | Expansion bush | 17/30x3 |
| 18 | 31110024 | 1 | Splint | Peg | DIN/ISO-7089 |
| 19 | 323 6345 | 1 | Schmiernippel gerade | Grease nipple | 13 DIN125-A A2 |
| | | | | | 37 DIN125 Zn |
| | | | | | 8x60-DIN1481-A2 |
| | | | | | 5x50 DIN94-St Zn |
| | | | | | LAM 6 DIN71412 |



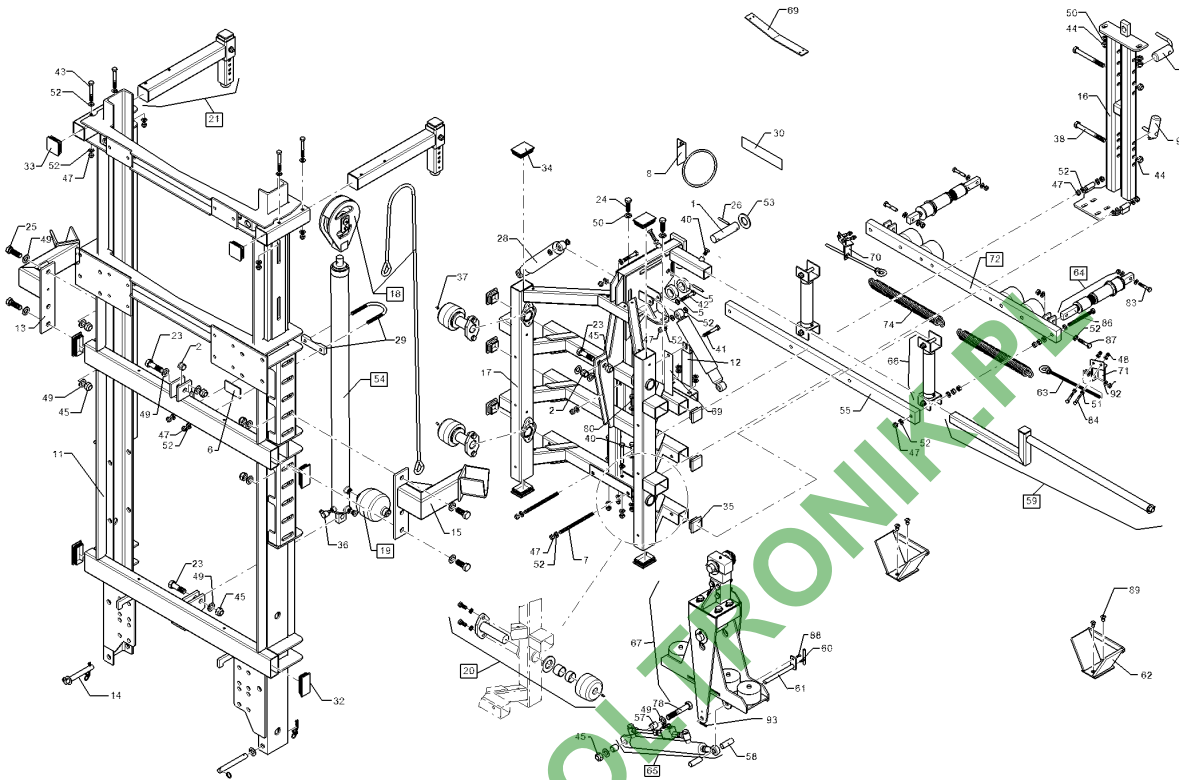
06.17

| Pos. | Art.Nr. | Stck. | Artikeltext / Description | Abmessung | |
|------|----------|-------|---------------------------|------------------|------------------------------|
| 2 | F01 1470 | 2 | Führungshülse | Bushing | D27,5/20,5x21 A2 |
| 6 | F01 1837 | 1 | Unterlage | Plate | 50x90x5 NBR 45 schwarz |
| 7 | F01 2128 | 2 | Gewindestange | Threaded rod | M12x195 A2 DIN975 |
| 8 | F02 0624 | 1 | Schlauchhalter | Hose carrier | 118x146x150 |
| 11 | F02 1666 | 1 | Hubmast | Lift mast | 265x1160x2900 |
| 12 | F02 1679 | 1 | Führung | Guiding | 75x140x260 |
| 13 | F02 1703 | 1 | Konsole | Bracket | 243x330x376,6 3xd21 re. |
| 14 | F02 1704 | 2 | Bolzen | Pin | D20x125 |
| 15 | F02 4805 | 1 | Transportaufnahme | Holder | 243x330x376,6 3xd21 li. |
| 16 | F03 0461 | 1 | Pendelführung | Pendulum guiding | 228x230x875 f. HX |
| 17 | F03 0591 | 1 | Schlitten | Slide | HX/DLA |
| 18 | F04 0182 | 1 | Umlenkrolle | Return pulley | 630x930x1125 |
| 20 | F06 1672 | 4 | Rollenführung | Guide rollers | 94,8x172,6x1560 |
| 21 | F06 1825 | 2 | Anschlag | Stop | KPL HX/DL |
| 23 | 301 4600 | 3 | Sechskantschraube | Hexagon bolt | 87,5x265x525 HX/DL li. |
| 24 | 301 5406 | 4 | Sechskantschraube | Hexagon bolt | M20x70x28-8.8 Zn DIN931-A |
| 25 | 301 4231 | 6 | Sechskantschraube | Hexagon bolt | M16x50-8.8 Zn DIN933 |
| 28 | F25 0477 | 2 | Stoßdämpfer | Shock absorber | M20x50-8.8 Zn DIN933 |
| | | | | | 30x355-590 |



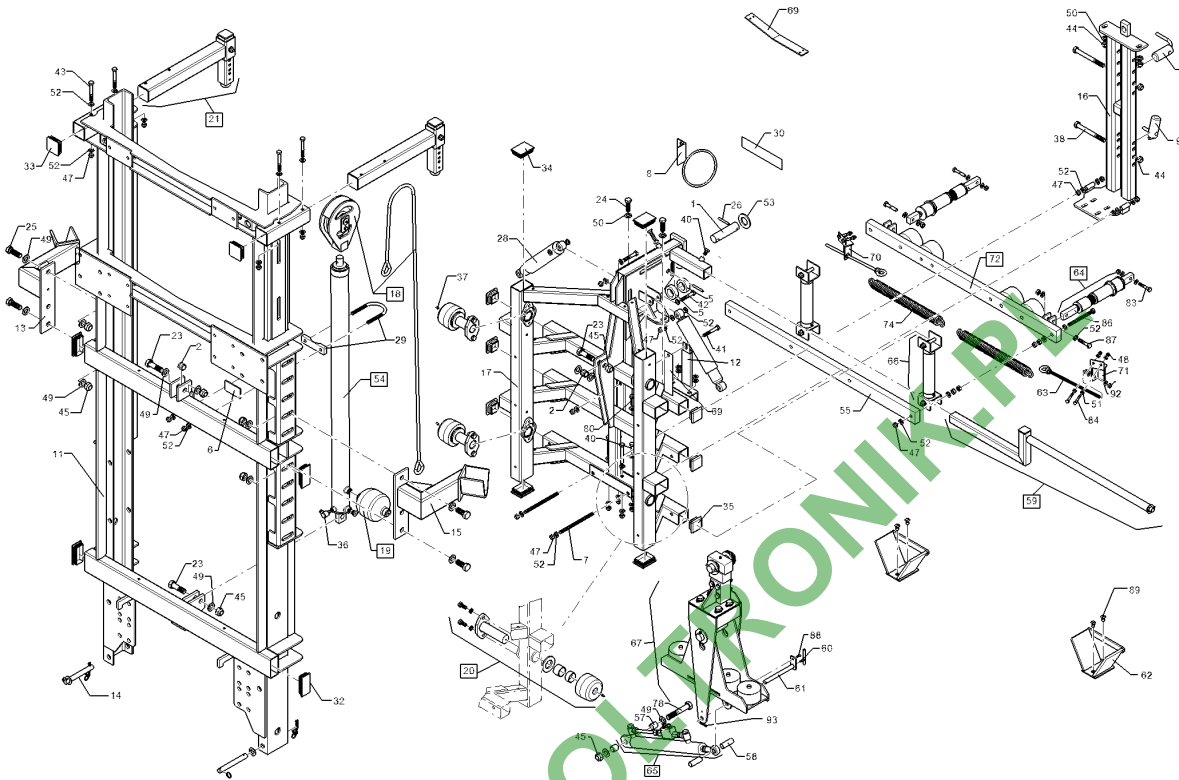
06.17

| Pos. | Art.Nr. | Stck. | Artikeltext / Description | Abmessung | |
|------|----------|-------|----------------------------|-------------------|---|
| 29 | F25 0519 | 1 | Rundstahlbügel | Round steel clamp | RB 76,1 W5 A 82 KPL V4A |
| 30 | F51 0221 | 1 | Aufkleber | Label | - |
| 32 | F55 0145 | 4 | Stopfen | Plug | 100x50x4 |
| 35 | F55 0252 | 6 | Vierkantstopfen | Square plug | m.Lamellen V60x60x2,6-4 AD8/M12x1,5 |
| 36 | F60 0934 | 1 | Winkelschwenkverschraubung | AD12/M16x1,5 | |
| 40 | 30110146 | 1 | Sechskantschraube | Hexagon bolt | M12x20-A2 DIN933 |
| 42 | 30110107 | 2 | Sechskantschraube | Hexagon bolt | M12x70-A2 DIN931 |
| 43 | 30110108 | 2 | Sechskantschraube | Hexagon bolt | M12x90-A2 DIN931 |
| 44 | 303 0935 | 2 | Sicherungsmutter | Selflocking nut | NM16-8 Zn DIN985 |
| 45 | 303 0936 | 11 | Sicherungsmutter | Selflocking nut | NM20-8 Zn DIN985 |
| 46 | 30310025 | 20 | Sechskantmutter | Hexagon nut | M12 DIN934-A4 |
| 47 | 30310030 | 23 | Sicherungsmutter | Selflocking nut | NM12 DIN985-A4 |
| 48 | 30310043 | 4 | Sicherungsmutter | Selflocking nut | NM8 DIN985-A4 |
| 49 | 305 6017 | 14 | Scheibe | Washer | 21/37x3 A2 DIN125 |
| 50 | 305 6141 | 5 | Scheibe | Washer | 17/30x3 DIN/ISO-7089 |
| 51 | 305 8695 | 8 | Scheibe | Washer | A8,4 DIN125 A2 |
| 52 | 305 8709 | 28 | Scheibe | Washer | 13 DIN125-A A2 |
| 54 | 57510253 | 1 | Hydraulikzylinder | Hydraulic ram | EZ60x1125x1325 |
| 55 | F01 1471 | 1 | Gleitschiene | Sliding part | 60x30x1135 4d14 |
| 56 | F01 3903 | 1 | Anlenkung | Link | 10x120x170 4d12,5 2d9,5 |
| 57 | F01 3908 | 2 | Hülse | Bushing | D26x22x25 |



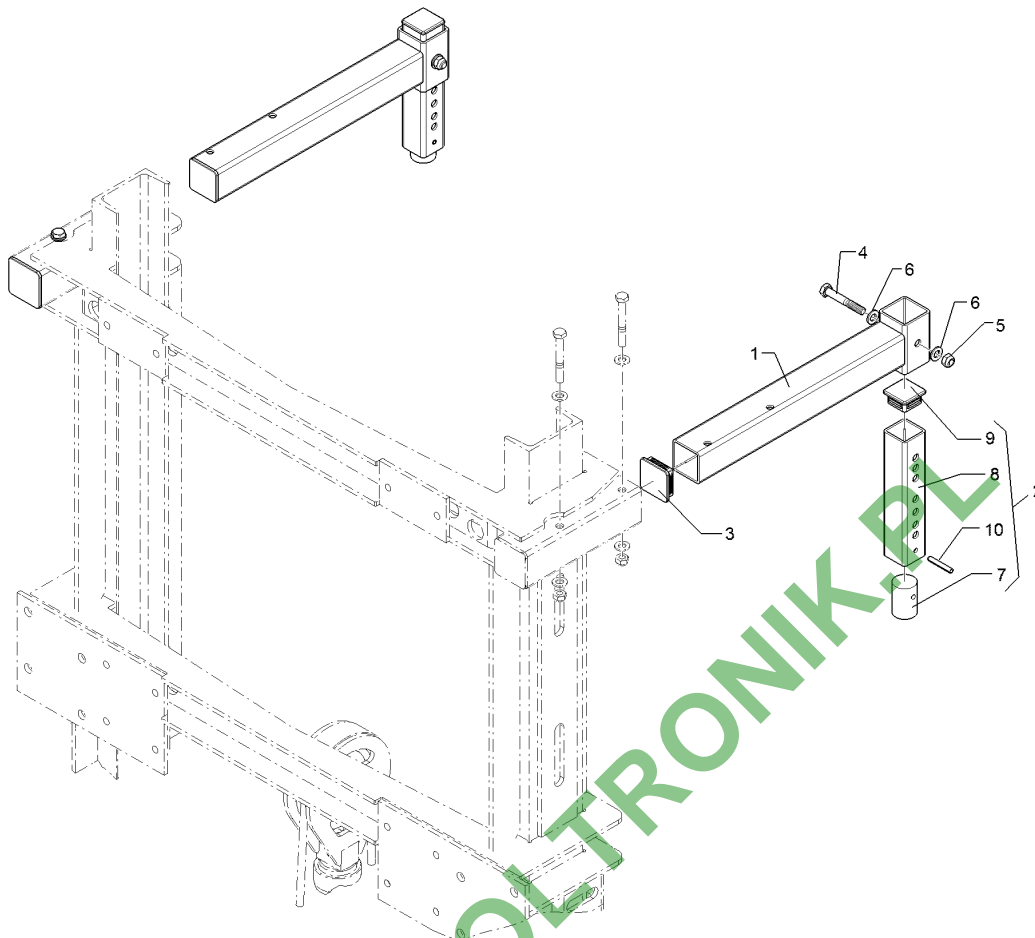
06.17

| Pos. | Art.Nr. | Stck. | Artikeltext / Description | Abmessung | |
|------|----------|-------|---------------------------|---------------------|----------------------------|
| 58 | F01 3909 | 2 | Hülse | Bushing | D22x18x60 |
| 59 | F02 0978 | 1 | Tragarm | Supporting arm | 40x165x1195 HX/DL |
| 60 | F02 1750 | 1 | Gelenklager | Articulated bearing | 10x40x75 |
| 61 | F02 1752 | 1 | Bolzen | Pin | D16x162 |
| 62 | F02 1753 | 2 | Fangtasche | Catch bracket | 115x140x215 |
| 63 | F02 1754 | 2 | Spanner | Spanner | M10x280 |
| 64 | F03 0338 | 2 | Horizontaldämpfer | Horizontal damper | SH/HX |
| 65 | F03 0559 | 1 | Hydraulikzylinder | Hydraulic ram | HX/DLA |
| 66 | F06 1665 | 2 | Führung | Guiding | 70x97,5x347 |
| 67 | F06 1818 | 1 | Pendelführung | Pendulum guiding | HX/DL/DLA |
| 68 | F11 1487 | 1 | Flach gebogen | Flat steel, curved | 40x5x340 10GRD 4xd7 |
| 69 | F11 1510 | 1 | Ausgleichplatte | Plate | 50x20x210 1d13 |
| 70 | F12 0018 | 1 | Anlenkung | Link | 40x60x110 re. |
| 71 | F12 0019 | 1 | Anlenkung | Link | 40x60x110 li. |
| 72 | F13 0066 | 1 | Gleitschiene | Sliding part | 65x90x990 |
| 73 | F20 0591 | 4 | Sechskantschraube | Hexagon bolt | M16x40-8.8 Zn DIN933 |
| 74 | F25 0301 | 2 | Zugfeder | Spring | 60a.x7x366 1.4310 |
| 75 | F55 0142 | 1 | Stopfen | Plug | V40x40x4 SYN bk |
| 77 | 301 3884 | 1 | Sechskantschraube | Hexagon bolt | M16x70-8.8 Zn DIN931-A |
| 78 | 301 5416 | 1 | Sechskantschraube | Hexagon bolt | M20x120-8.8 Zn DIN931-A |
| 80 | 301 7538 | 4 | Sechskantschraube | Hexagon bolt | M12x40 A2 DIN933 |



06.17

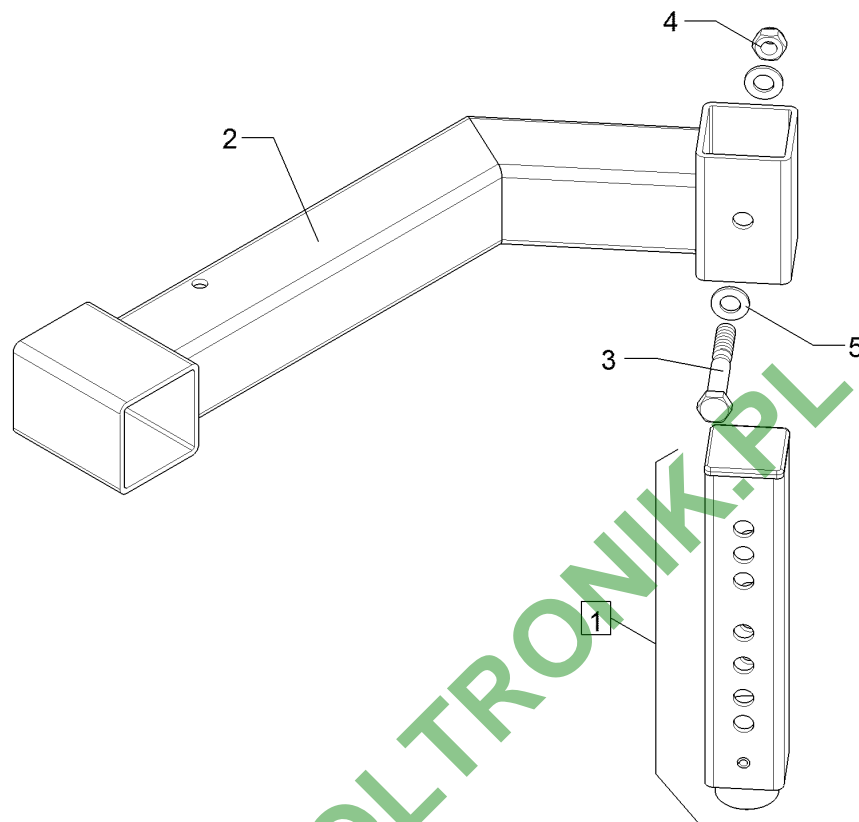
| Pos. | Art.Nr. | Stck. | Artikeltext / Description | Abmessung | |
|------|----------|-------|---------------------------|------------------|--------------------|
| 81 | 30110008 | 4 | Sechskantschraube | Hexagon bolt | M10x90-A2 DIN931 |
| 82 | 30110094 | 1 | Sechskantschraube | Hexagon bolt | M12x80-A2 DIN931 |
| 83 | 30110101 | 2 | Sechskantschraube | Hexagon bolt | M10x60-A2 DIN931 |
| 84 | 30110139 | 4 | Sechskantschraube | Hexagon bolt | M8x60-A2 DIN931 |
| 85 | 30110377 | 2 | Sechskantschraube | Hexagon bolt | M12x25-A2 DIN933 |
| 86 | 30110384 | 4 | Sechskantschraube | Hexagon bolt | M12x140-A2 DIN933 |
| 87 | 30110573 | 2 | Sechskantschraube | Hexagon bolt | M12x60-A2 DIN931 |
| 88 | 30110616 | 1 | Senkschraube | Countersunk bolt | M6x16 DIN965 A2 |
| 89 | 30110657 | 4 | Senkschraube | Countersunk bolt | M12x20-A2 DIN963 |
| 90 | 303 1015 | 2 | Sechskantmutter | Hexagon nut | M16 DIN934-8 Zn |
| 91 | 30310029 | 2 | Sicherungsmutter | Selflocking nut | NM10 A4 DIN985 |
| 92 | 305 8704 | 16 | Scheibe | Washer | A10,5 DIN125-St A2 |
| 93 | 31110023 | 1 | Splint | Peg | 5x32 DIN94-St Zn |



06.17

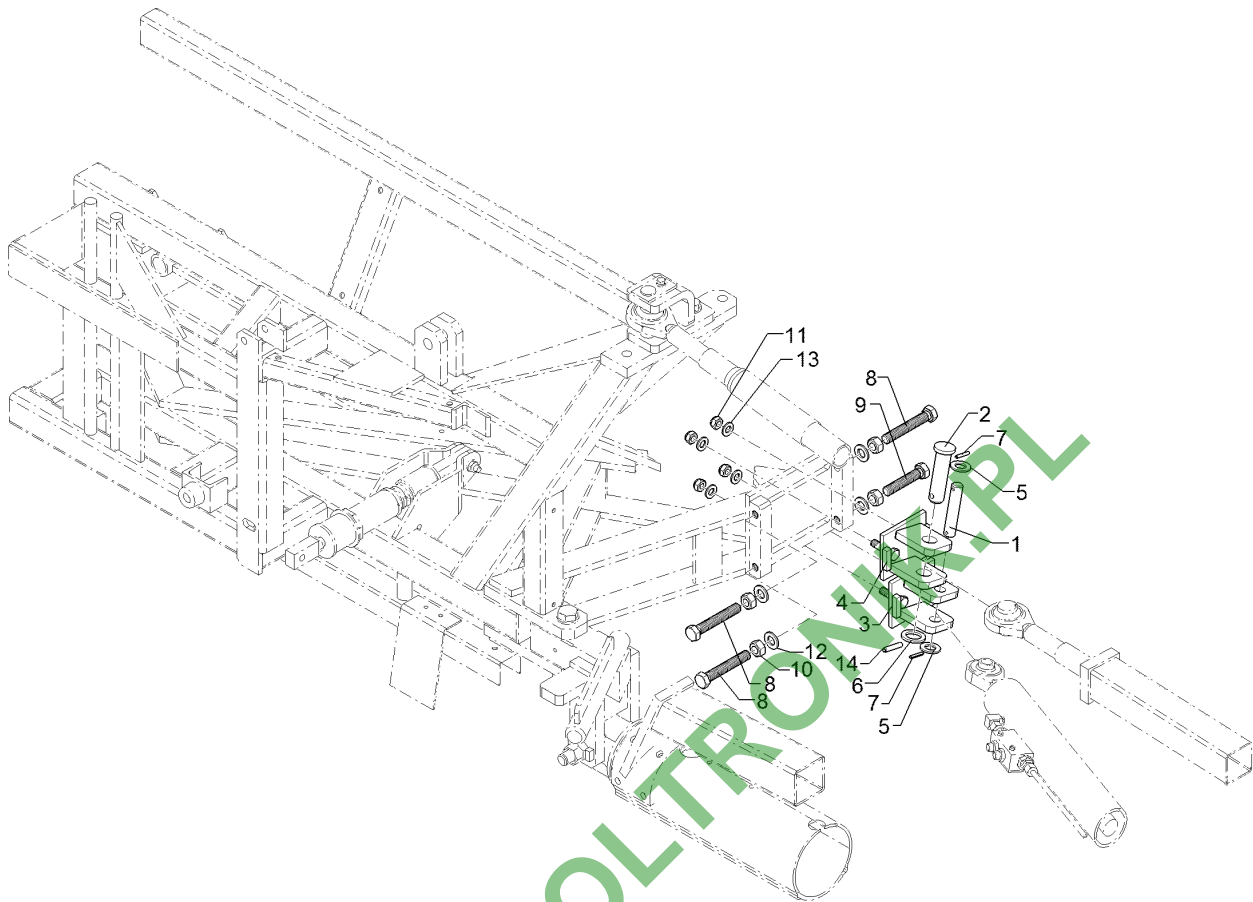
| Pos. | Art.Nr. | Stck. | Artikeltext / Description | | Abmessung |
|------|----------|-------|---------------------------|-----------------|--------------------------|
| 1 | F02 0908 | 1 | Halter | Holder | 60x95x520 4xD12 2xD13 |
| 2 | F02 1073 | 1 | Anschlag | Stop | 50x50x265 |
| 3 | F55 0144 | 1 | Stopfen | Plug | 60x60x4 KST. bk |
| 4 | 30110094 | 1 | Sechskantschraube | Hexagon bolt | M12x80-A2 DIN931 |
| 5 | 30310030 | 1 | Sicherungsmutter | Selflocking nut | NM12 DIN985-A4 |
| 6 | 305 8709 | 2 | Scheibe | Washer | 13 DIN125-A A2 |
| 7 | F01 0855 | 1 | Anschlagstutzen | Stop stud | D40x60 1xD9 |
| 8 | F01 0856 | 1 | Quadratrohr | Square tube | 50x50x4x240 14d13 2d8 |
| 9 | F55 0167 | 1 | Stopfen | Plug | 50x50x2.6-5 |
| 10 | 30910023 | 1 | Spannhülse | Expansion bush | 8x50-DIN1481-A2 |

| | |
|------------------------------------|-----------------|
| Anschlag/Stop | 6 |
| EuroTrain 2600 TC / 3500 TC | F06 1858 |



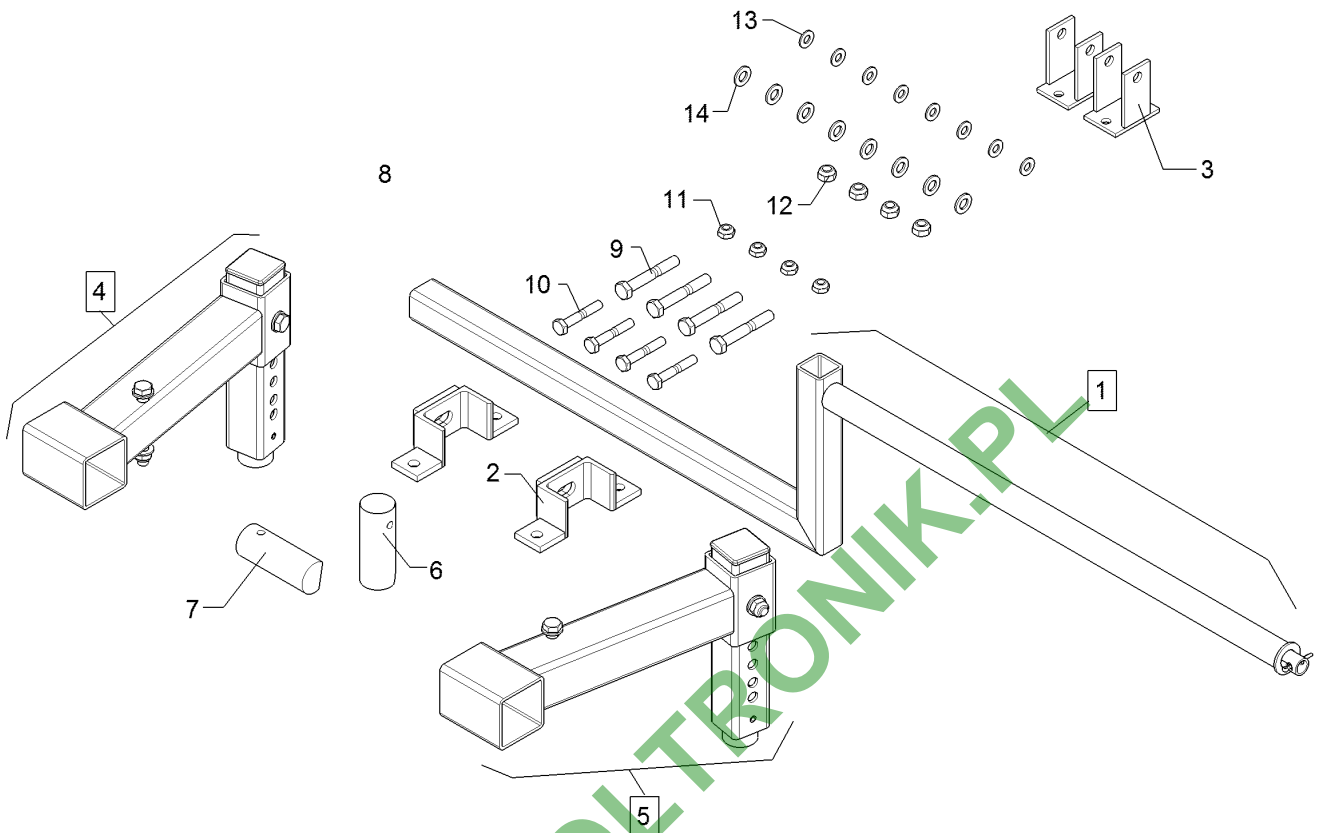
06.17

| Pos. | Art.Nr. | Stck. | Artikeltext / Description | Abmessung | |
|------|----------|-------|---------------------------|-----------------|------------------|
| 1 | F02 1073 | 1 | Anschlag | Stop | 50x50x265 |
| 2 | F02 1841 | 1 | Anschlag | Stop | 95x218x520 |
| 3 | 30110094 | 1 | Sechskantschraube | Hexagon bolt | M12x80-A2 DIN931 |
| 4 | 30310030 | 1 | Sicherungsmutter | Selflocking nut | NM12 DIN985-A4 |
| 5 | 305 8709 | 2 | Scheibe | Washer | 13 DIN125-A A2 |



06.17

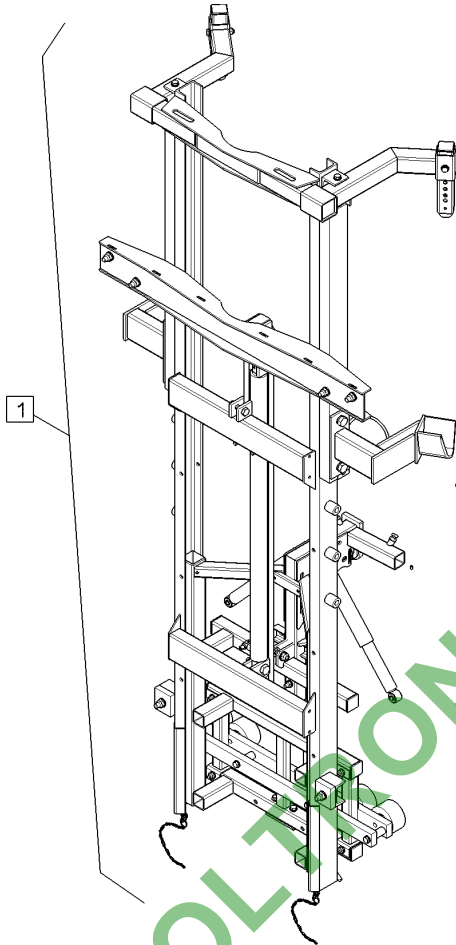
| Pos. | Art.Nr. | Stck. | Artikeltext / Description | | Abmessung |
|------|----------|-------|---------------------------|-----------------|---------------------------|
| 1 | F01 0755 | 1 | Bolzen | Pin | 19x95 2xd5 |
| 2 | F01 0827 | 1 | Bolzen | Pin | 25/35x94/100 d8 |
| 3 | F02 4563 | 1 | Konsole | Bracket | 90x99x120 2xM12 d19 LI |
| 4 | F02 4708 | 1 | Konsole | Bracket | 90x99x125 2xM12 d25 LI |
| 5 | 30510227 | 2 | Scheibe | Washer | 19 DIN125 Zn5 |
| 6 | 30510239 | 1 | Scheibe | Washer | 26 DIN1441 Zn5 |
| 7 | F20 1068 | 2 | Spannhülse | Expansion bush | 5x36 A2 ISO8752 |
| 8 | 30110154 | 3 | Sechskantschraube | Hexagon bolt | M16x100-A2 DIN933 |
| 9 | 30110557 | 1 | Sechskantschraube | Hexagon bolt | M16x80-8.8 Zn5 DIN933 |
| 10 | 303 1015 | 4 | Sechskantmutter | Hexagon nut | M16 DIN934-8 Zn |
| 11 | 30310030 | 4 | Sicherungsmutter | Selflocking nut | NM12 DIN985-A4 |
| 12 | 305 6141 | 4 | Scheibe | Washer | 17/30x3 DIN/ISO-7089 |
| 13 | 305 8709 | 8 | Scheibe | Washer | 13 DIN125-A A2 |
| 14 | 309 3470 | 1 | Spannhülse | Expansion bush | 8x40 A2 DIN1481 |



06.17

| Pos. | Art.Nr. | Stck. | Artikeltext / Description | | Abmessung |
|------|----------|-------|---------------------------|------------------|-----------------------------|
| 1 | F02 0714 | 1 | Halter | Holder | 40x242x1400 |
| 2 | F02 4720 | 2 | Halter | Holder | - |
| 3 | F02 4721 | 2 | Halter | Holder | - |
| 4 | F03 0271 | 1 | Anschlag | Stop | 77x265x417 |
| 5 | F03 4575 | 1 | Anschlag | Stop | 77x265x417 li. |
| 6 | F11 0339 | 1 | Anschlagstück | Stop plate | D40x105 1xd9 1x30Grd re. |
| 7 | F11 0340 | 1 | Anschlagstück | Stop plate | D40x60 1xd9 1x30Grd li |
| 8 | F55 0245 | 1 | Zusatzteile | Additional parts | SPH |
| 9 | 30110094 | 4 | Sechskantschraube | Hexagon bolt | M12x80-A2 DIN931 |
| 10 | 30110101 | 4 | Sechskantschraube | Hexagon bolt | M10x60-A2 DIN931 |
| 11 | 30310029 | 4 | Sicherungsmutter | Selflocking nut | NM10 A4 DIN985 |
| 12 | 30310030 | 4 | Sicherungsmutter | Selflocking nut | NM12 DIN985-A4 |
| 13 | 305 8704 | 8 | Scheibe | Washer | A10,5 DIN125-St A2 |
| 14 | 305 8709 | 8 | Scheibe | Washer | 13 DIN125-A A2 |

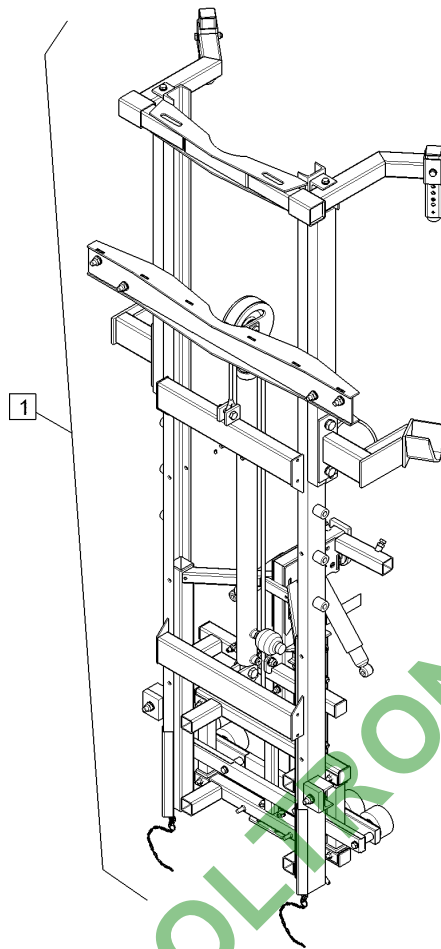
| | |
|-----------------------------|----------|
| Hubmast/Lift mast | 6 |
| EuroTrain 2600 TC / 3500 TC | F07 0140 |



06.17

| Pos. | Art.Nr. | Stck. | Artikeltext / Description | Abmessung |
|------|----------|-------|---------------------------|-----------------|
| 1 | F06 0924 | 1 | Hubmast Lift mast | 614,5x1270x2785 |

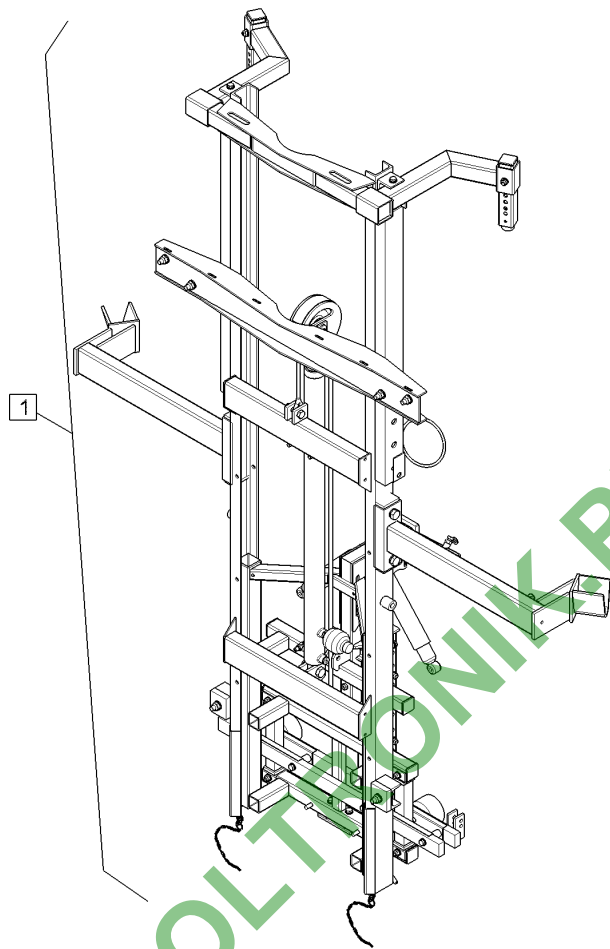
| | |
|-----------------------------|----------|
| Hubmast/Lift mast | 6 |
| EuroTrain 2600 TC / 3500 TC | F07 0141 |



06.17

| Pos. | Art.Nr. | Stck. | Artikeltext / Description | Abmessung |
|------|----------|-------|---------------------------|-----------------|
| 1 | F06 0925 | 1 | Hubmast Lift mast | 614,5x1270x2785 |

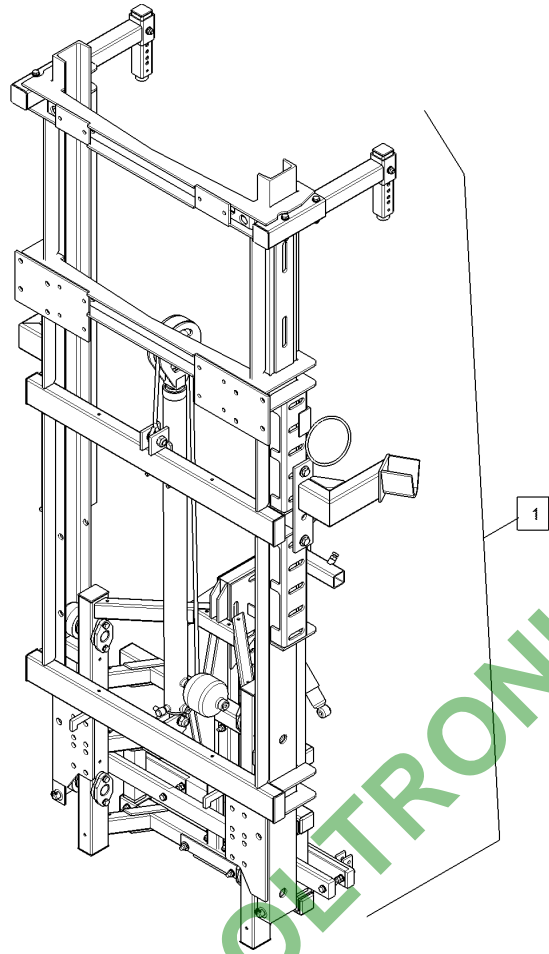
| | |
|-----------------------------|----------|
| Hubmast/Lift mast | 6 |
| EuroTrain 2600 TC / 3500 TC | F07 0142 |



06.17

| Pos. | Art.Nr. | Stck. | Artikeltext / Description | Abmessung |
|------|----------|-------|---------------------------|-----------------|
| 1 | F06 0927 | 1 | Hubmast Lift mast | 614,5x1270x2785 |

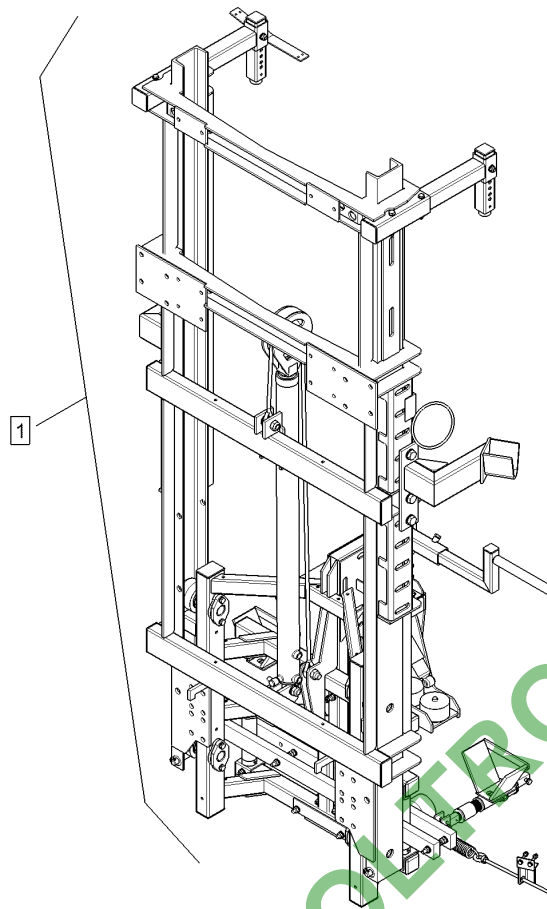
| | |
|-----------------------------|----------|
| Hubmast/Lift mast | 6 |
| EuroTrain 2600 TC / 3500 TC | F07 0145 |



06.17

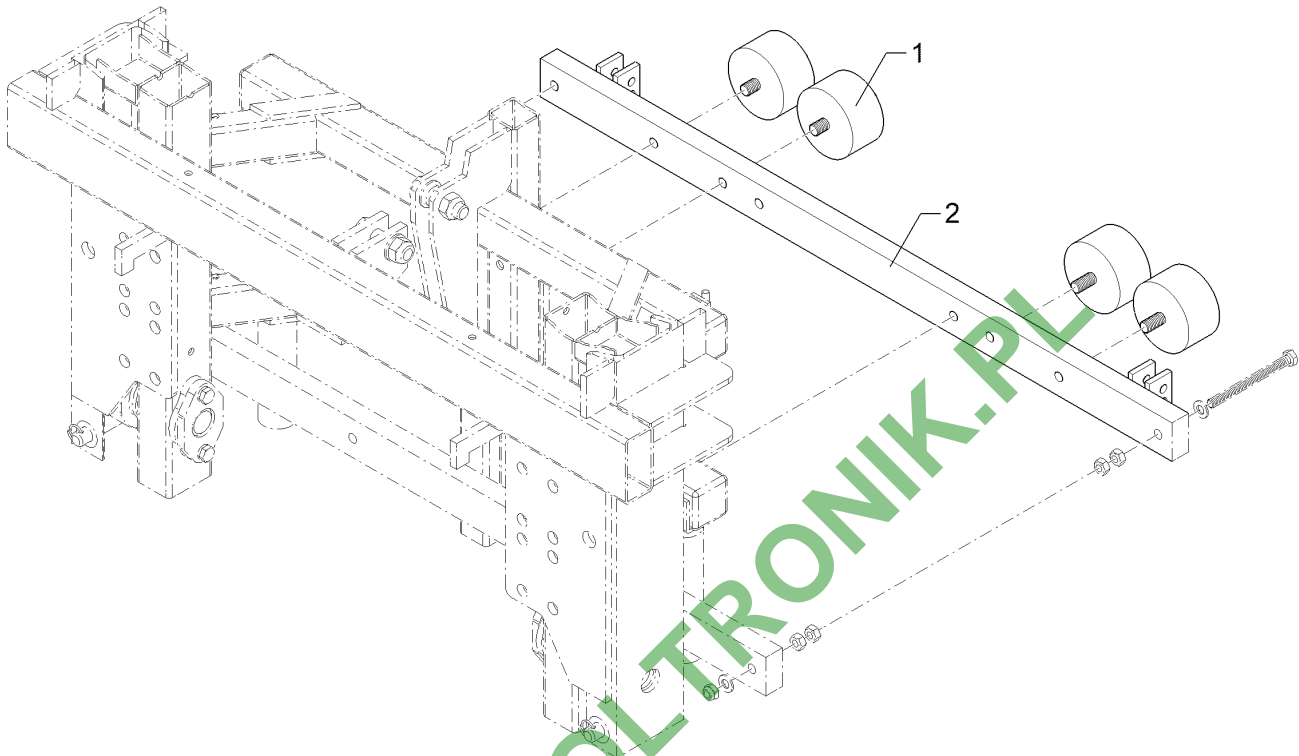
| Pos. | Art.Nr. | Stck. | Artikeltext / Description | Abmessung |
|------|----------|-------|---------------------------|---------------|
| 1 | F06 0895 | 1 | Hubmast Lift mast | 765x1585x3060 |

| | |
|-----------------------------|----------|
| Hubmast/Lift mast | 6 |
| EuroTrain 2600 TC / 3500 TC | F07 0146 |



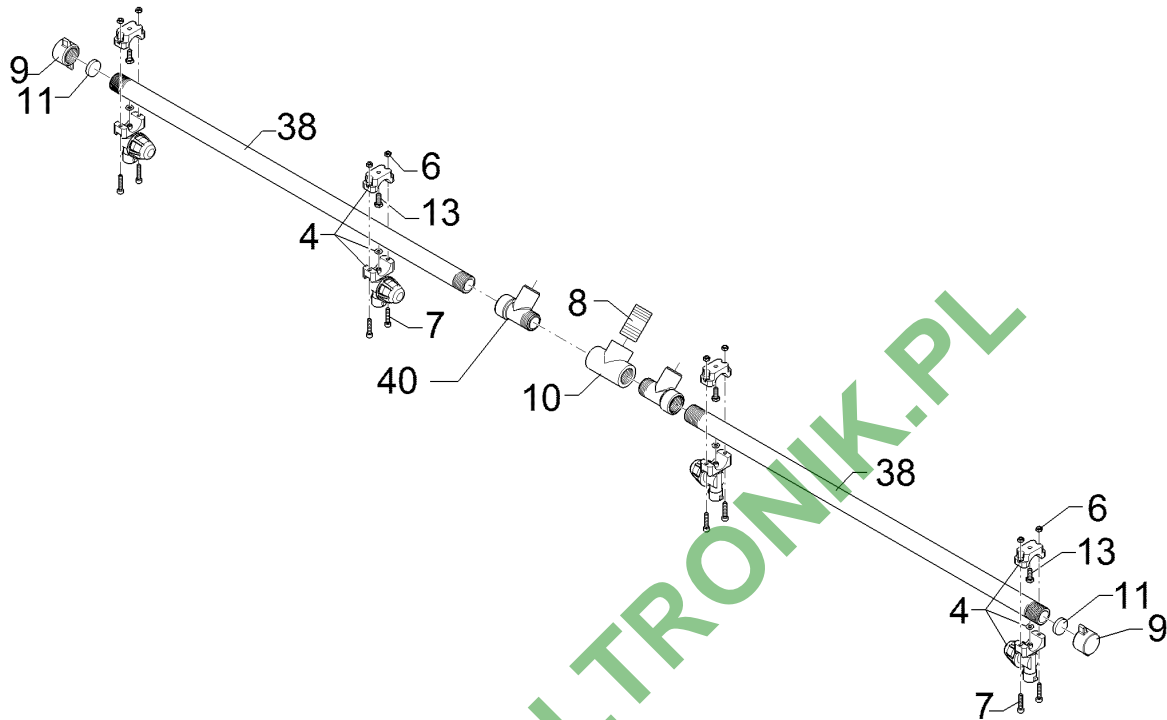
06.17

| Pos. | Art.Nr. | Stck. | Artikeltext / Description | Abmessung |
|------|----------|-------|---------------------------|---------------|
| 1 | F06 0896 | 1 | Hubmast Lift mast | 765x1585x3060 |



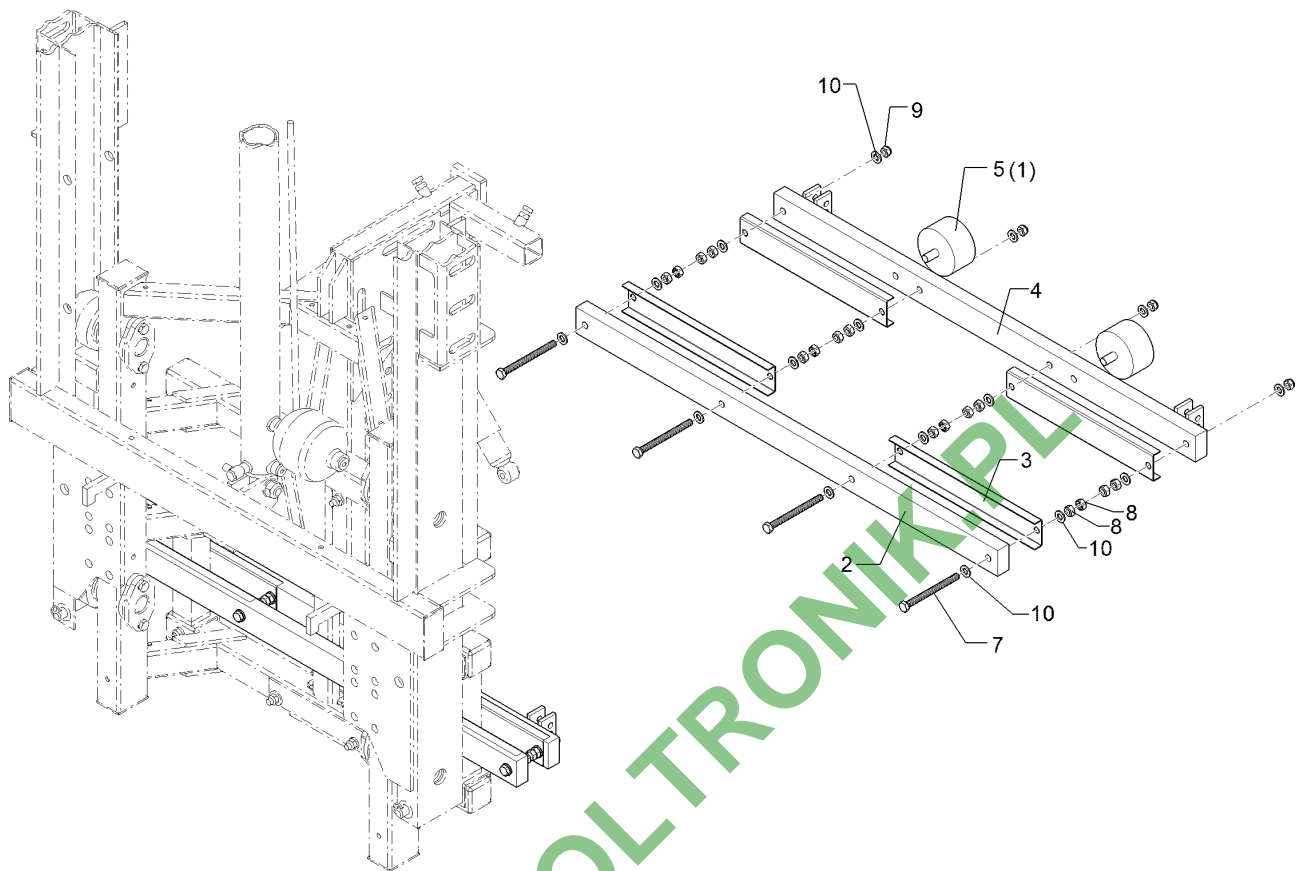
06.17

| Pos. | Art.Nr. | Stck. | Artikeltext / Description | Abmessung |
|------|----------|-------|------------------------------|-------------------------|
| 1 | F11 1506 | 4 | Gummipuffer Rubber buffer | 100/55 M16x31/M16x21 |
| 2 | F12 0028 | 1 | Gleitschiene Sliding part | 70x70x1135 |



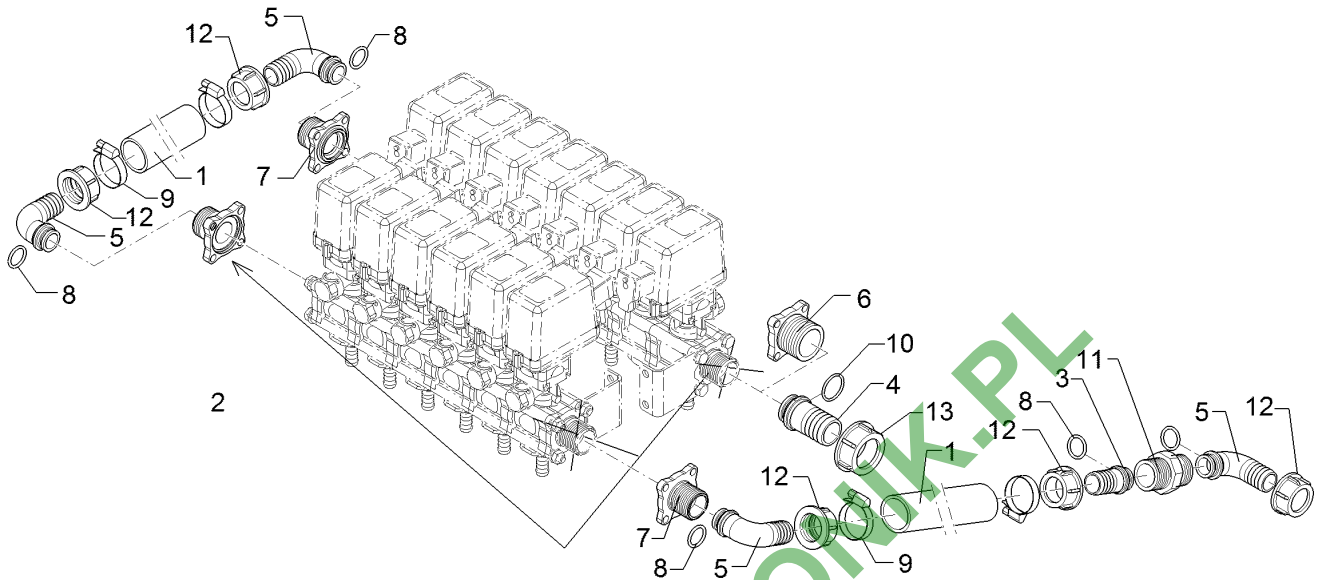
06.17

| Pos. | Art.Nr. | Stck. | Artikeltext / Description | Abmessung | |
|------|----------|-------|---------------------------|--------------|---|
| 4 | F02 1131 | 4 | Membrandüsenhalter | Holder | 1F |
| 6 | 30310021 | 8 | Sechskantmutter | Hexagon nut | M5 DIN934-A4 |
| 7 | 30110469 | 8 | Zylinderschraube | Allen screw | M5x25-A2 DIN912 |
| 8 | 37810503 | 1 | Adapter | Adapter | G3/4ZLA G3/4ZLA |
| 9 | F61 0941 | 2 | Verschlussmutter | Cap nut | G3/4 ZL SYN |
| 10 | F61 1279 | 1 | T-Stück | T-piece | 3xG3/4 ZL i. |
| 11 | F61 3919 | 2 | Dichtung | Seal | 24,5 a. |
| 13 | 301 7513 | 4 | Sechskantschraube | Hexagon bolt | M6x16-A2 DIN933 |
| 38 | F11 0241 | 2 | Flüssigkeitsrohr | Tube | D26,5x3,75x709 |
| 40 | F01 0209 | 2 | T-Stück | T-piece | 2DUE 2xG $\frac{3}{4}$ x18 1xG3/4 ZL i./2xG3/4 ZL a. |



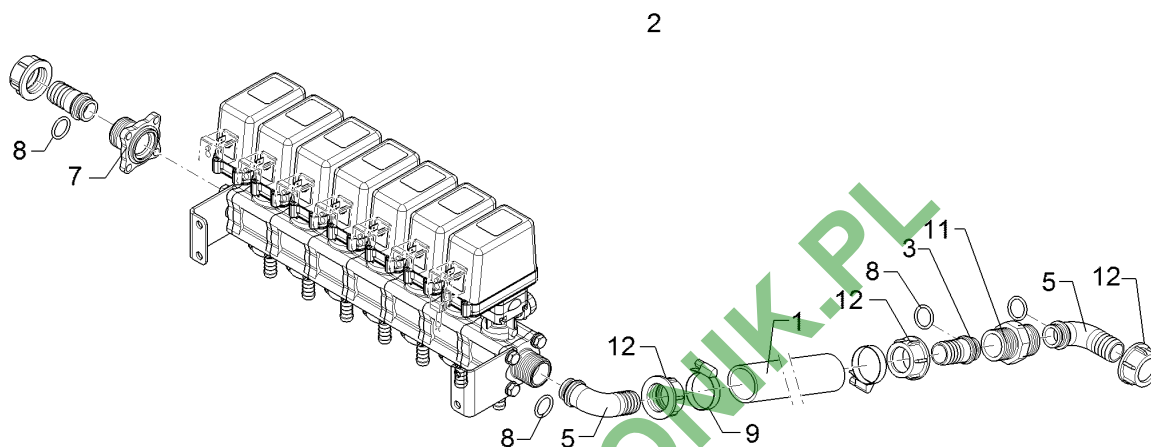
06.17

| Pos. | Art.Nr. | Stck. | Artikeltext / Description | Abmessung | |
|------|----------|-------|---------------------------|-----------------------|--------------------------------|
| 1 | F01 0672 | 2 | Gummipuffer | Rubber buffer | 100/55 M16x31/M16x21 |
| 2 | F01 1471 | 1 | Gleitschiene | Sliding part | 60x30x1135 4d14 |
| 3 | F01 2127 | 4 | Blech | Plate | 101,5x2x393 2d14 2x90grd |
| 4 | F02 0909 | 1 | Gleitschiene | Sliding part | 70x70x1135 LI22 LA1000 2M16 |
| 5 | F11 1506 | 2 | Gummipuffer | Rubber buffer | 100/55 M16x31/M16x21 |
| 6 | F19 0024 | 1 | Montageanleitung | Mounting instructions | Gleitschiene hinten HX |
| 7 | 30110384 | 4 | Sechskantschraube | Hexagon bolt | M12x140-A2 DIN933 |
| 8 | 30310025 | 16 | Sechskantmutter | Hexagon nut | M12 DIN934-A4 |
| 9 | 30310030 | 4 | Sicherungsmutter | Selflocking nut | NM12 DIN985-A4 |
| 10 | 305 8709 | 16 | Scheibe | Washer | 13 DIN125-A A2 |



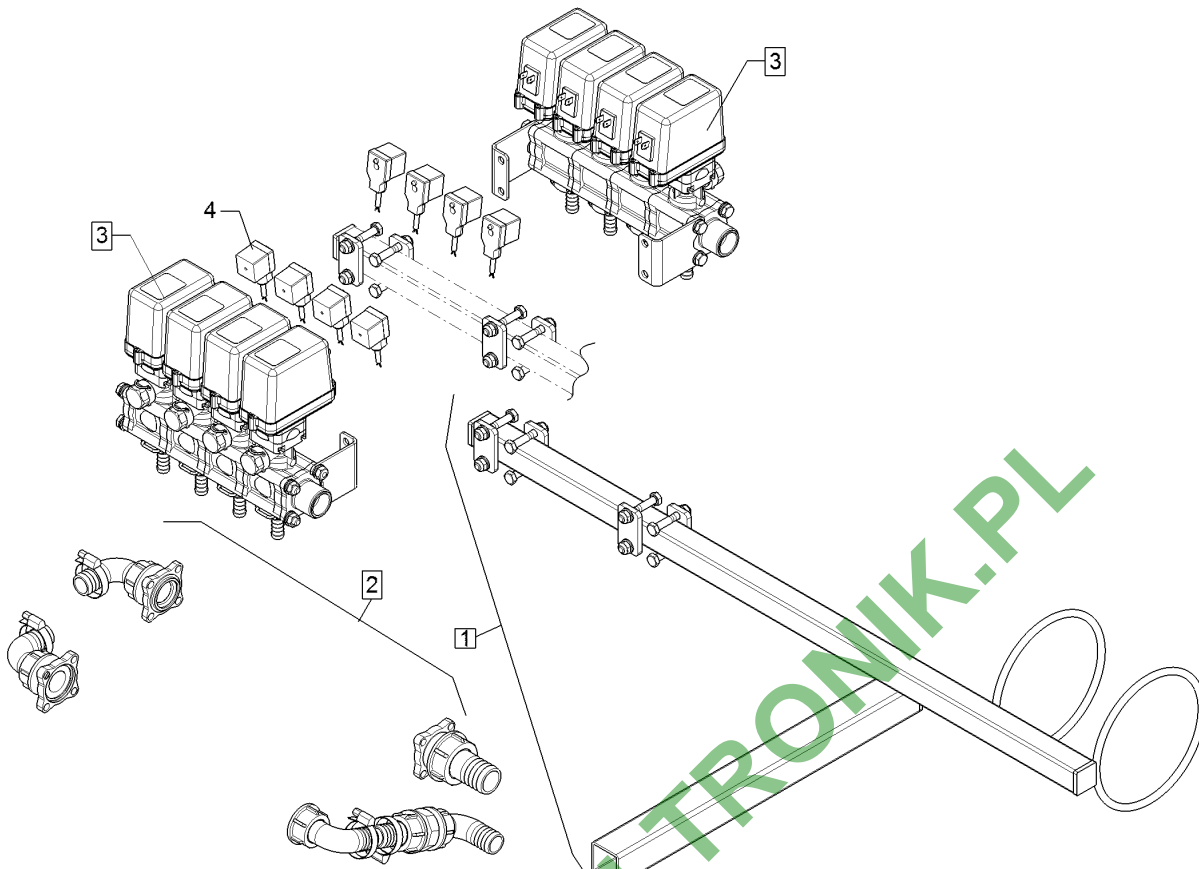
06.17

| Pos. | Art.Nr. | Stck. | Artikeltext / Description | Abmessung | |
|------|----------|-------|---------------------------|-----------------|--------------------|
| 1 | F01 2340 | 2 | Schlauch | Hose | di25x5,75x225 |
| 2 | F55 0250 | 4 | Schutzkappe | Cap | bl 9mm |
| 3 | F61 0829 | 1 | Schlauchanschluss | Hose connection | G1ZLÜ 0GRD D25 |
| 4 | F61 0832 | 1 | Schlauchanschluss | Hose connection | G1-1/4ZLÜ 0GRD D32 |
| 5 | F61 0850 | 4 | Schlauchanschluss | Hose connection | G1ZLÜ 90GRD D25 |
| 6 | F61 1163 | 1 | Flansch | Flange | G1-1/4ZLA |
| 7 | F61 1274 | 2 | Flansch | Flange | G1ZLA |
| 8 | F61 1972 | 5 | O-Ring | O-ring | 20x3 |
| 9 | F61 2402 | 4 | Schlauchschelle | Hose clip | D25-D40x9 |
| 10 | 37810281 | 1 | O-Ring | O-ring | 26,7x2,6 |
| 11 | 37810475 | 1 | Adapter | Adapter | G1ZLA G1ZLA |
| 12 | 37810579 | 5 | Überwurfmutter | Union nut | G1 ZL |
| 13 | 37810580 | 1 | Überwurfmutter | Union nut | G1-1/4 ZL |



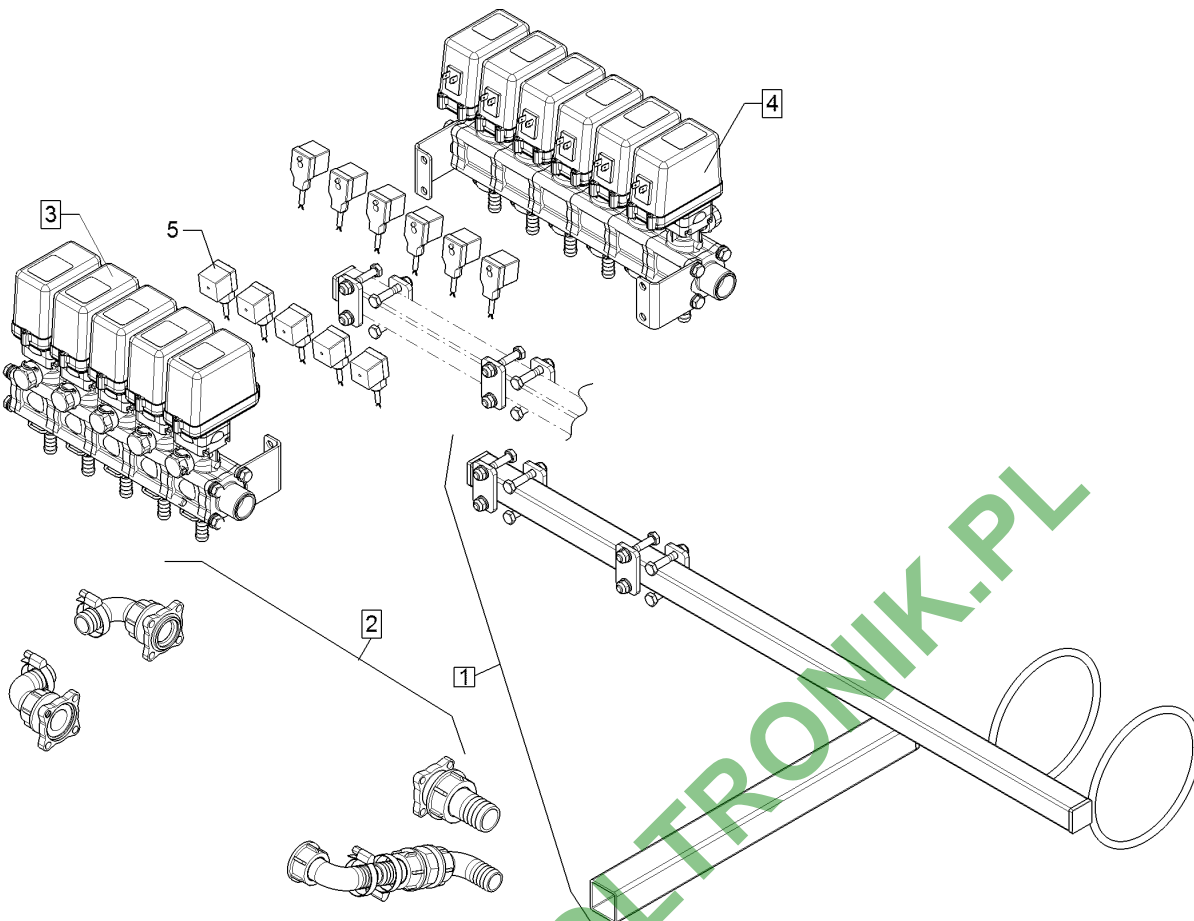
06.17

| Pos. | Art.Nr. | Stck. | Artikeltext / Description | Abmessung | |
|------|----------|-------|---------------------------|-----------------|--------------------|
| 1 | F01 2340 | 1 | Schlauch | Hose | di25x5,75x225 |
| 2 | F55 0250 | 2 | Schutzkappe | Cap | bl 9mm |
| 3 | F61 0829 | 1 | Schlauchanschluss | Hose connection | G1ZLÜ 0GRD D25 |
| 4 | F61 0832 | 1 | Schlauchanschluss | Hose connection | G1-1/4ZLÜ 0GRD D32 |
| 5 | F61 0850 | 2 | Schlauchanschluss | Hose connection | G1ZLÜ 90GRD D25 |
| 7 | F61 1274 | 2 | Flansch | Flange | G1ZLA |
| 8 | F61 1972 | 3 | O-Ring | O-ring | 20x3 |
| 9 | F61 2402 | 2 | Schlauchschelle | Hose clip | D25-D40x9 |
| 10 | 37810281 | 1 | O-Ring | O-ring | 26,7x2,6 |
| 11 | 37810475 | 1 | Adapter | Adapter | G1ZLA G1ZLA |
| 12 | 37810579 | 3 | Überwurfmutter | Union nut | G1 ZL |
| 13 | 37810580 | 1 | Überwurfmutter | Union nut | G1-1/4 ZL |



06.17

| Pos. | Art.Nr. | Stck. | Artikeltext / Description | | Abmessung |
|------|----------|-------|----------------------------|---------|---------------------|
| 1 | F06 0759 | 1 | Teilbreitenhahnehalterung | Holder | KPL ET |
| 2 | F13 0183 | 1 | Kit | Set | - |
| 3 | F61 3858 | 2 | Teilbreitenarmatur | Fitting | 4TB Elcomat Serie 4 |
| 4 | F61 3979 | 8 | Kabel | Cable | 8,5 m |

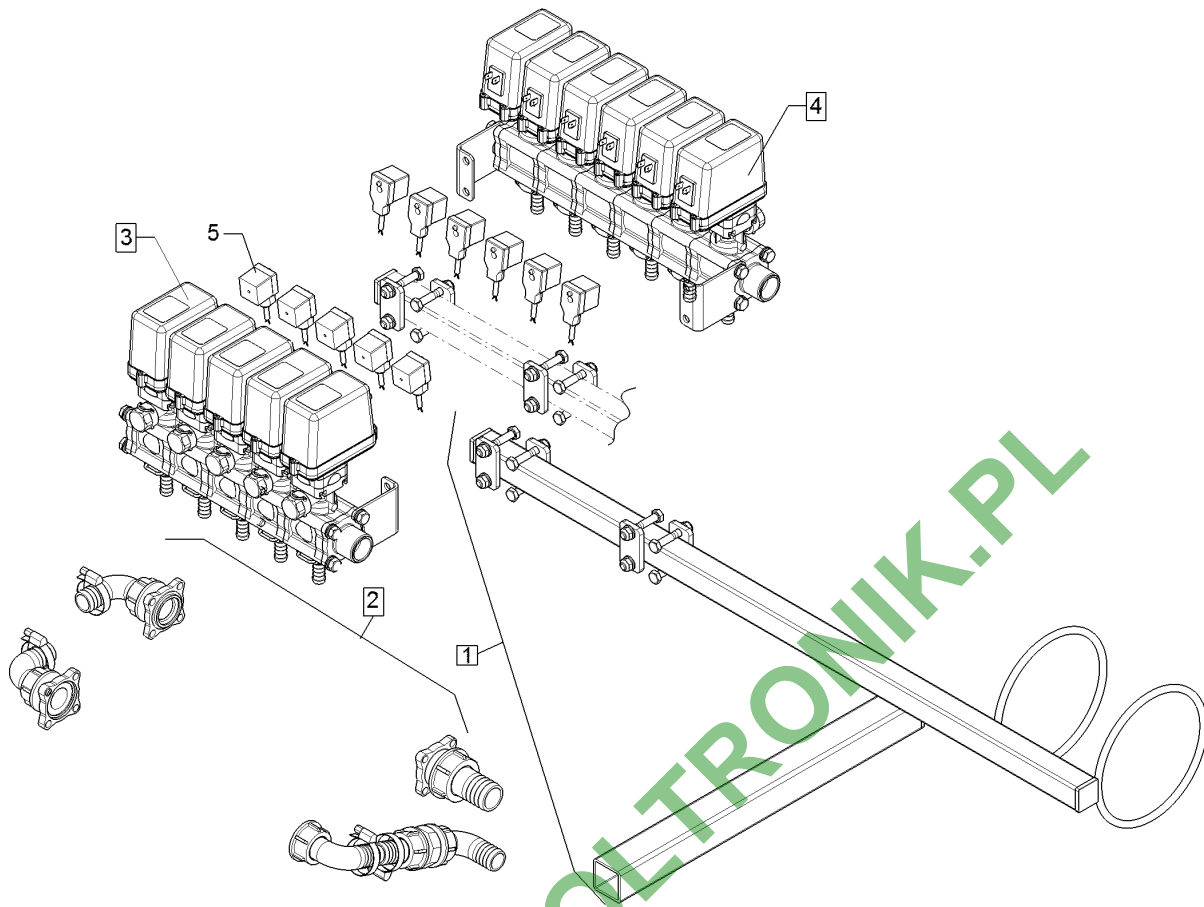


06.17

| Pos. | Art.Nr. | Stck. | Artikeltext / Description | | Abmessung |
|------|----------|-------|----------------------------|---------|-----------------------------------|
| 1 | F06 0759 | 1 | Teilbreitenhahnehalterung | Holder | KPL ET |
| 2 | F13 0183 | 1 | Kit | Set | - |
| 3 | F61 3858 | 1 | Teilbreitenarmatur | Fitting | 4TB Elcomat

 Serie 4 |
| 4 | F61 3859 | 1 | Teilbreitenarmatur | Fitting | 5TB Elcomat

 Serie 4 |
| 5 | F61 3979 | 9 | Kabel | Cable | 8,5 m |

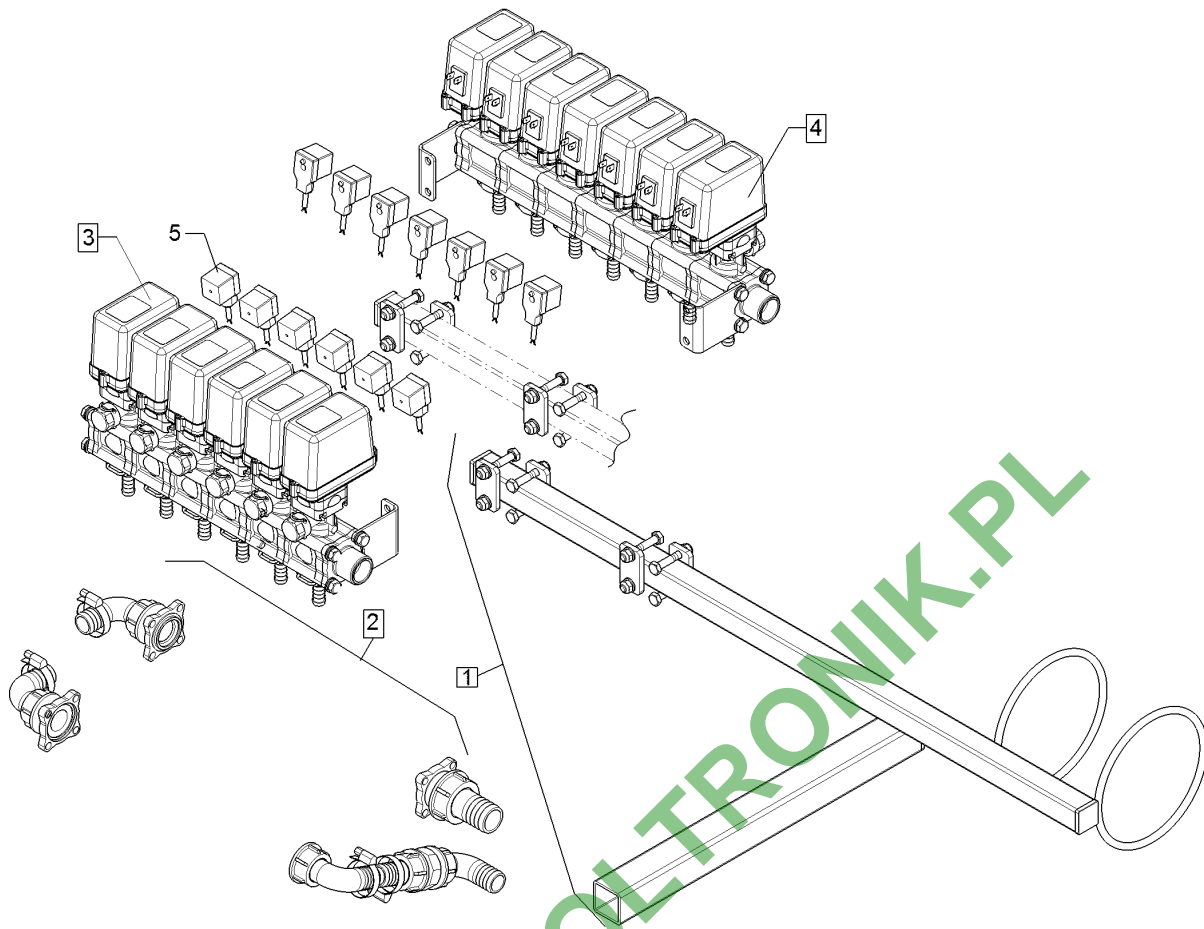


06.17

| Pos. | Art.Nr. | Stck. | Artikeltext / Description | | Abmessung |
|------|----------|-------|----------------------------|---------|-----------------------------------|
| 1 | F06 0759 | 1 | Teilbreitenhahnehalterung | Holder | KPL ET |
| 2 | F13 0183 | 1 | Kit | Set | - |
| 3 | F61 3859 | 1 | Teilbreitenarmatur | Fitting | 5TB Elcomat

 Serie 4 |
| 4 | F61 3860 | 1 | Teilbreitenarmatur | Fitting | 6TB Elcomat

 Serie 4 |
| 5 | F61 3979 | 11 | Kabel | Cable | 8,5 m |

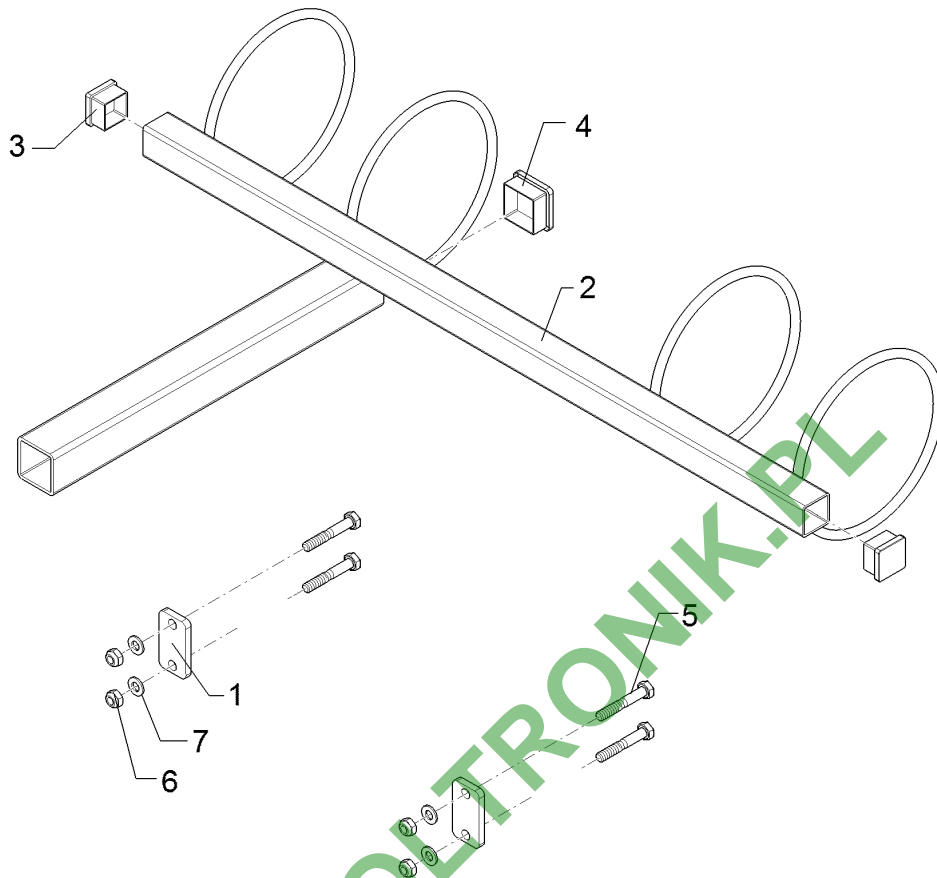


06.17

| Pos. | Art.Nr. | Stck. | Artikeltext / Description | | Abmessung |
|------|----------|-------|----------------------------|---------|-----------------------------------|
| 1 | F06 0759 | 1 | Teilbreitenhahnehalterung | Holder | KPL ET |
| 2 | F13 0183 | 1 | Kit | Set | - |
| 3 | F61 3860 | 1 | Teilbreitenarmatur | Fitting | 6TB Elcomat

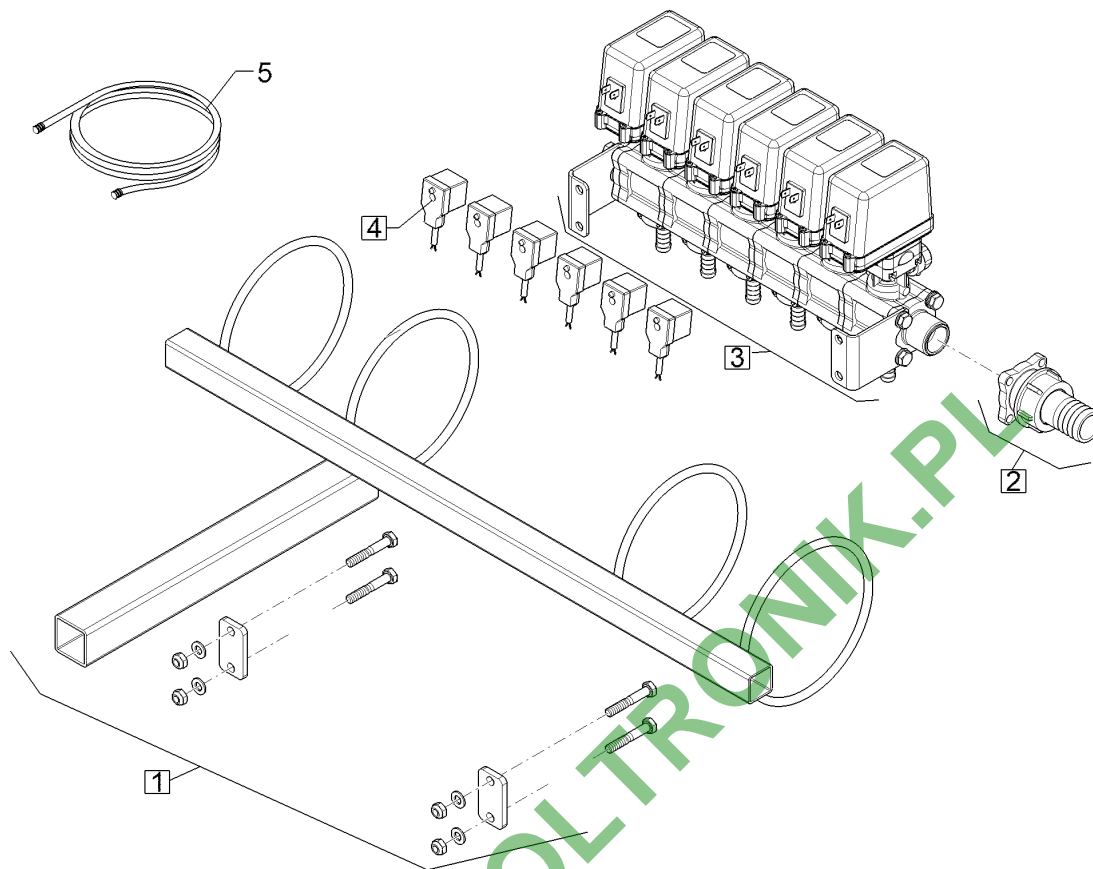
 Serie 4 |
| 4 | F61 3861 | 1 | Teilbreitenarmatur | Fitting | 7TB Elcomat

 Serie 4 |
| 5 | F61 3979 | 13 | Kabel | Cable | 8,5 m |



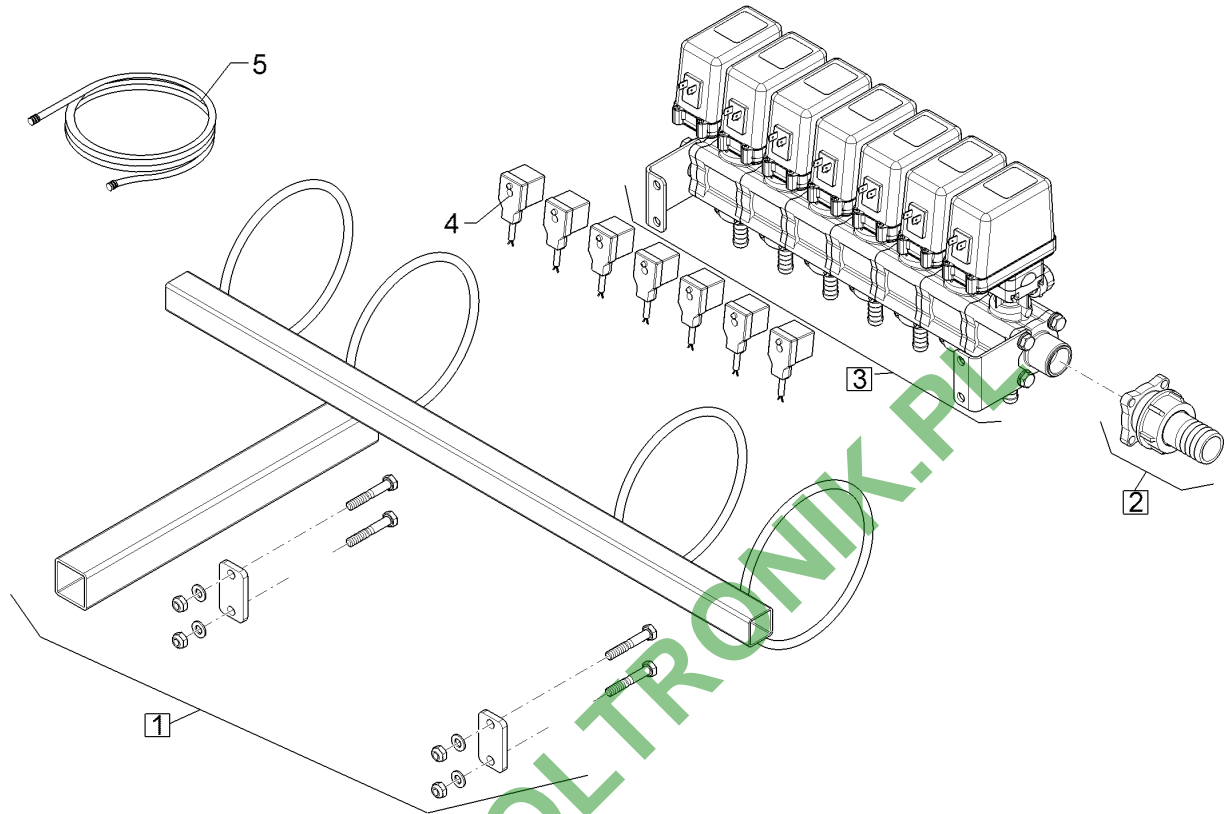
06.17

| Pos. | Art.Nr. | Stck. | Artikeltext / Description | Abmessung | |
|------|----------|-------|---------------------------|-----------------|-----------------|
| 1 | F01 1096 | 2 | Platte | Plate | 30x6x55 2xD9-40 |
| 2 | F02 1585 | 1 | Schlauchhalter | Hose carrier | ET/DLA |
| 3 | F55 0139 | 2 | Stopfen | Plug | 30x30x1.5-2 |
| 4 | F55 0141 | 1 | Stopfen | Plug | 40x40x3 |
| 5 | 30110138 | 4 | Sechskantschraube | Hexagon bolt | M8x50-A2 DIN931 |
| 6 | 30310043 | 4 | Sicherungsmutter | Selflocking nut | NM8 DIN985-A4 |
| 7 | 305 8695 | 4 | Scheibe | Washer | A8,4 DIN125 A2 |



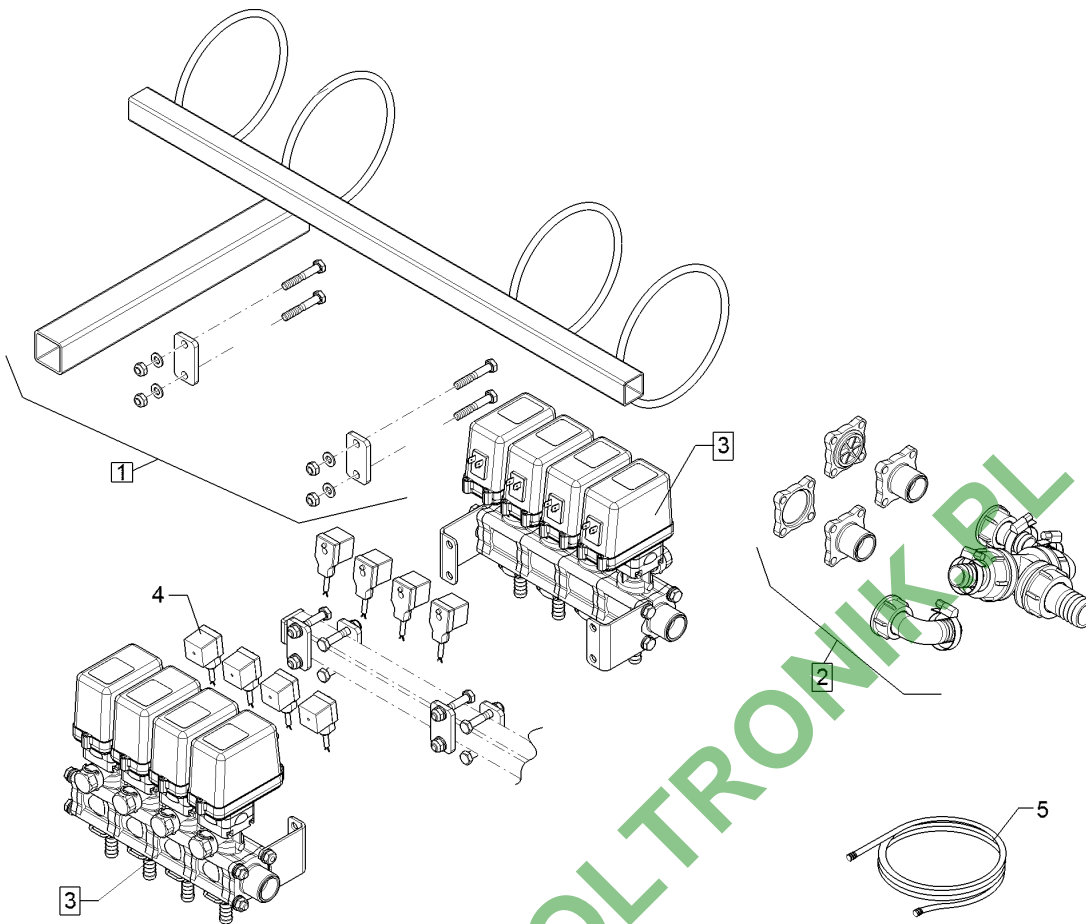
06.17

| Pos. | Art.Nr. | Stck. | Artikeltext / Description | Abmessung |
|------|----------|-------|---------------------------|-------------------------|
| 1 | F16 0109 | 1 | Schlauchhalter | Hose carrier |
| 2 | F06 0950 | 1 | Kit | Set |
| 3 | F61 3860 | 1 | Teilbreitenarmatur | Fitting |
| 4 | F61 3979 | 6 | Kabel | Cable |
| 5 | F41 0171 | 10 | Kabel | Cable |
| | | | | KPL DLA/ET |
| | | | | - |
| | | | | 6TB Elcomat Serie 4 |
| | | | | 8,5 m |
| | | | | 21x0,75 ² gr |



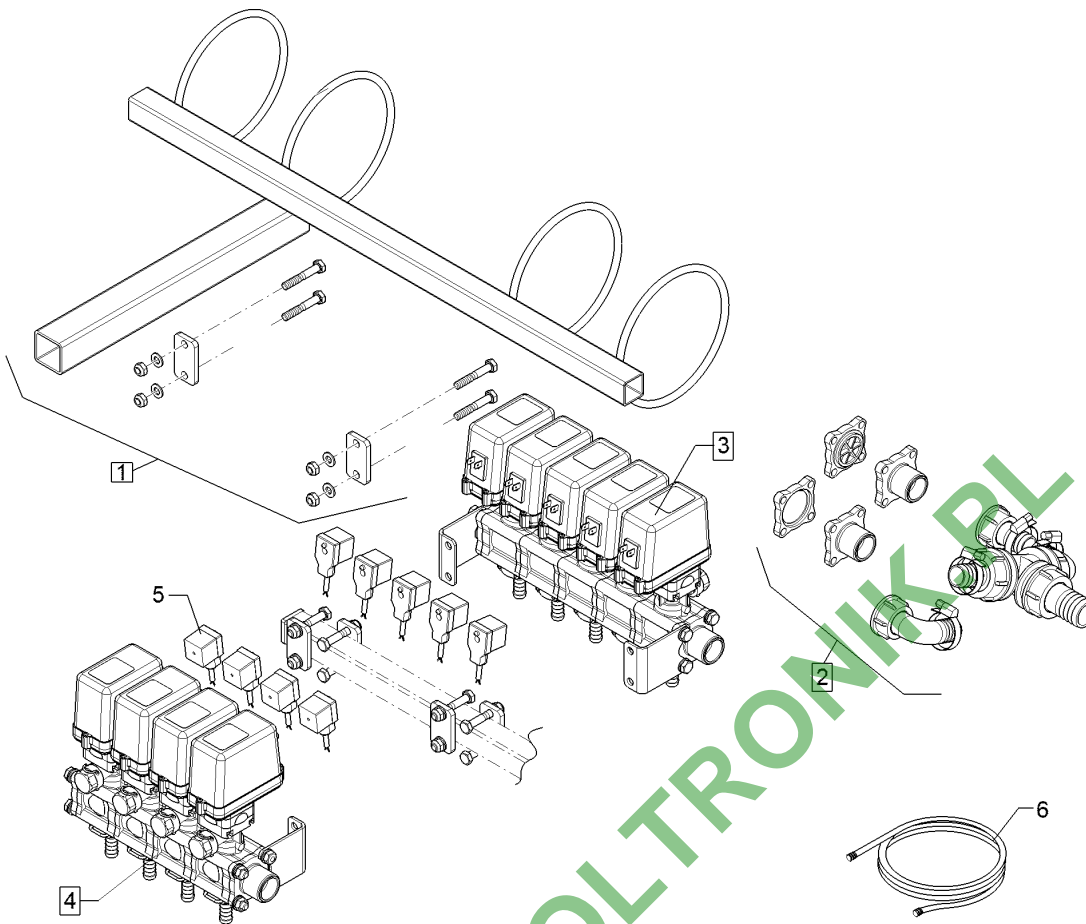
06.17

| Pos. | Art.Nr. | Stck. | Artikeltext / Description | Abmessung | |
|------|----------|-------|---------------------------|--------------|-------------------------|
| 1 | F16 0109 | 1 | Schlauchhalter | Hose carrier | KPL DLA/ET |
| 2 | F06 0950 | 1 | Kit | Set | - |
| 3 | F61 3861 | 1 | Teilbreitenarmatur | Fitting | 7TB Elcomat Serie 4 |
| 4 | F61 3979 | 7 | Kabel | Cable | 8,5 m |
| 5 | F41 0171 | 10 | Kabel | Cable | 21x0,75 ² gr |



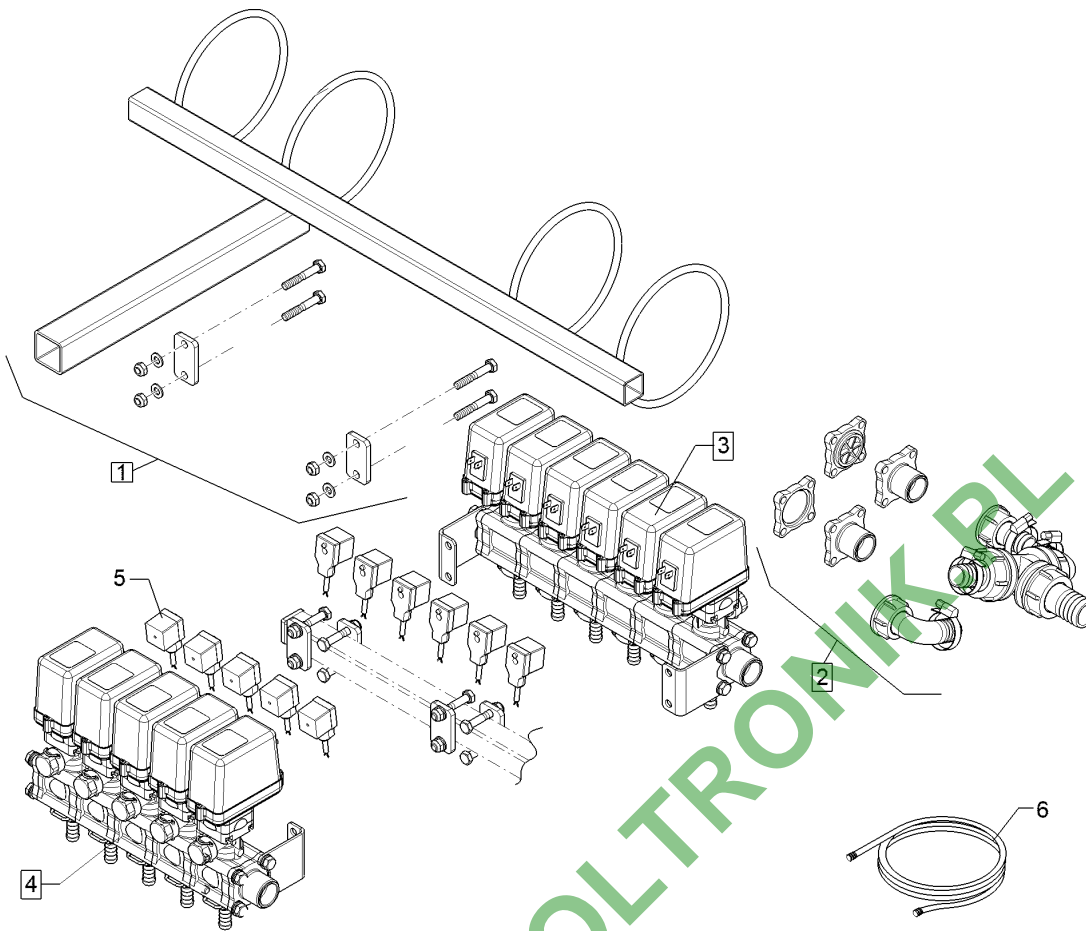
06.17

| Pos. | Art.Nr. | Stck. | Artikeltext / Description | Abmessung | |
|------|----------|-------|---------------------------|--------------|-------------------------|
| 1 | F16 0109 | 1 | Schlauchhalter | Hose carrier | KPL DLA/ET |
| 2 | F06 0940 | 1 | Kit | Set | - |
| 3 | F61 3858 | 2 | Teilbreitenarmatur | Fitting | 4TB Elcomat Serie 4 |
| 4 | F61 3979 | 8 | Kabel | Cable | 8,5 m |
| 5 | F41 0171 | 10 | Kabel | Cable | 21x0,75 ² gr |



06.17

| Pos. | Art.Nr. | Stck. | Artikeltext / Description | Abmessung | |
|------|----------|-------|---------------------------|--------------|-------------------------|
| 1 | F16 0109 | 1 | Schlauchhalter | Hose carrier | KPL DLA/ET |
| 2 | F06 0940 | 1 | Kit | Set | - |
| 3 | F61 3858 | 1 | Teilbreitenarmatur | Fitting | 4TB Elcomat Serie 4 |
| 4 | F61 3859 | 1 | Teilbreitenarmatur | Fitting | 5TB Elcomat Serie 4 |
| 5 | F61 3979 | 9 | Kabel | Cable | 8,5 m |
| 6 | F41 0171 | 10 | Kabel | Cable | 21x0,75 ² gr |

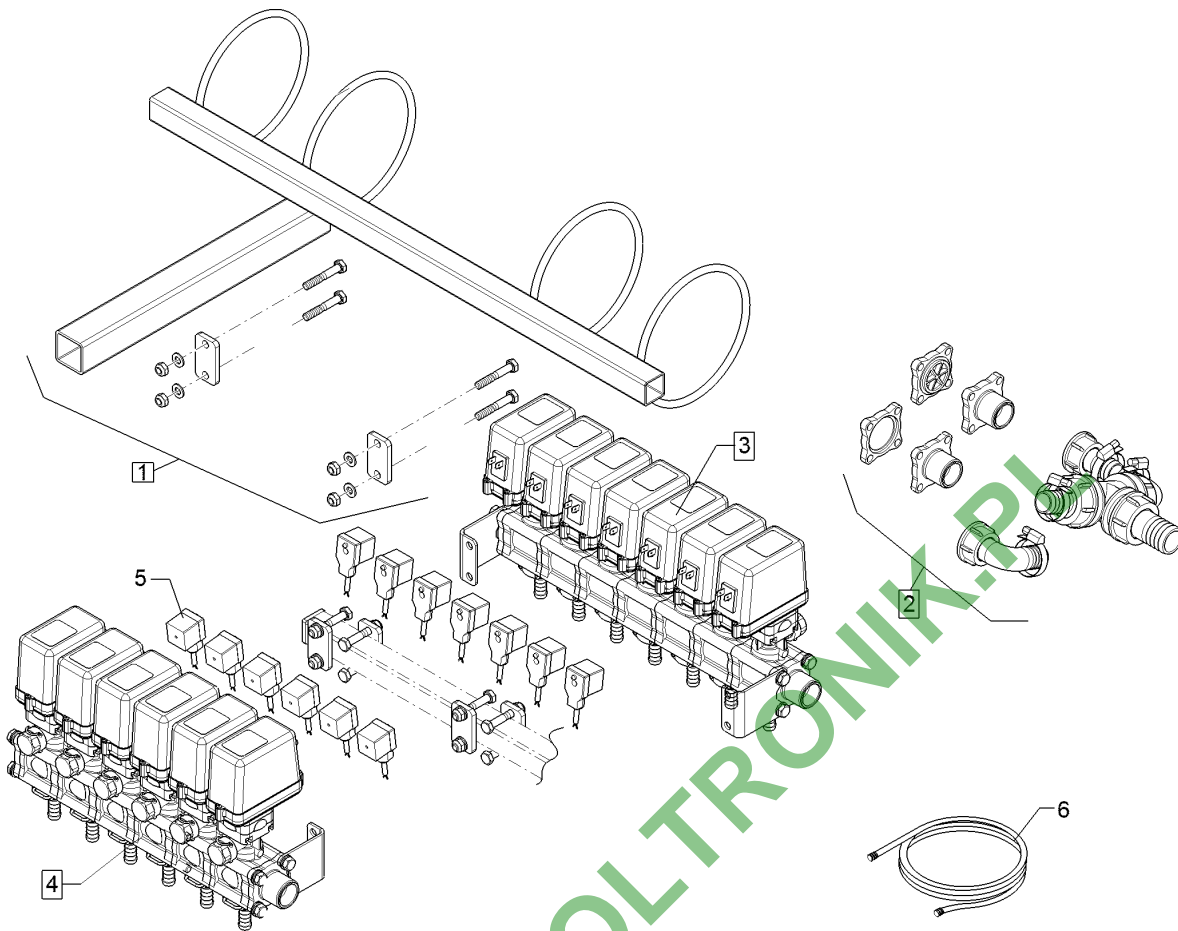


06.17

| Pos. | Art.Nr. | Stck. | Artikeltext / Description | | Abmessung |
|------|----------|-------|---------------------------|--------------|-----------------------------------|
| 1 | F16 0109 | 1 | Schlauchhalter | Hose carrier | KPL DLA/ET |
| 2 | F06 0940 | 1 | Kit | Set | - |
| 3 | F61 3859 | 1 | Teilbreitenarmatur | Fitting | 5TB Elcomat

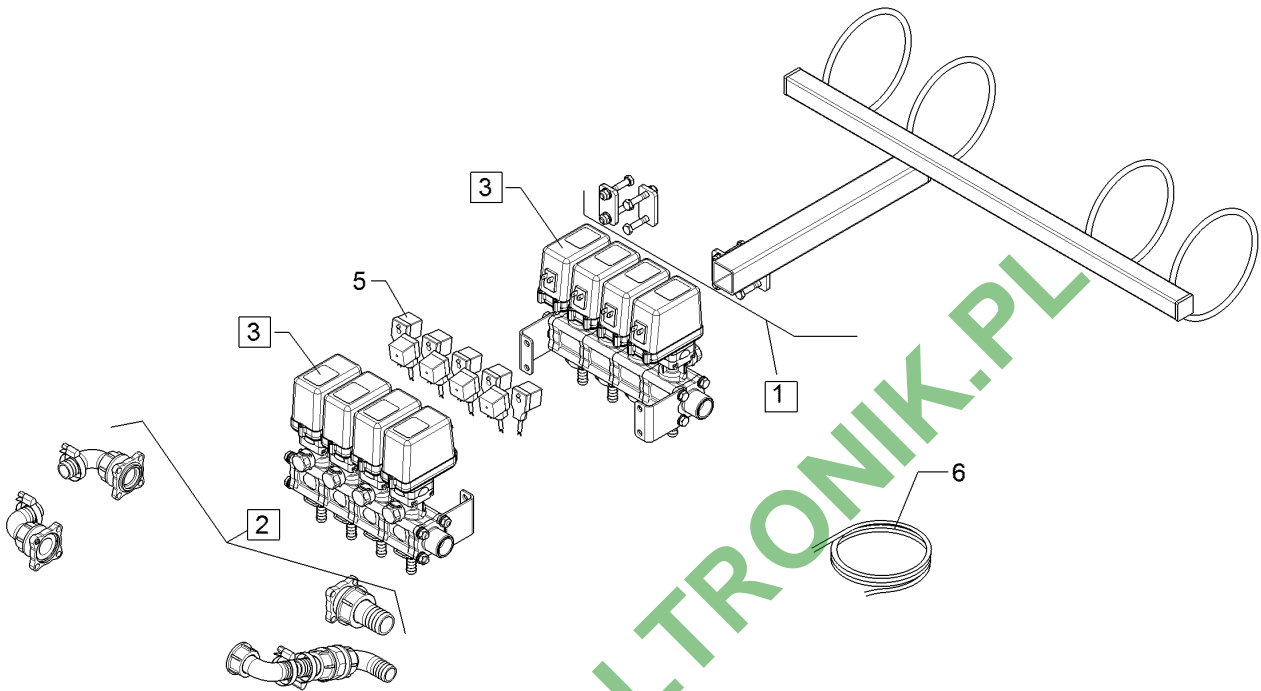
 Serie 4 |
| 4 | F61 3860 | 1 | Teilbreitenarmatur | Fitting | 6TB Elcomat

 Serie 4 |
| 5 | F61 3979 | 11 | Kabel | Cable | 8,5 m |
| 6 | F41 0199 | 10 | Kabel | Cable | 25x0,5 ² |



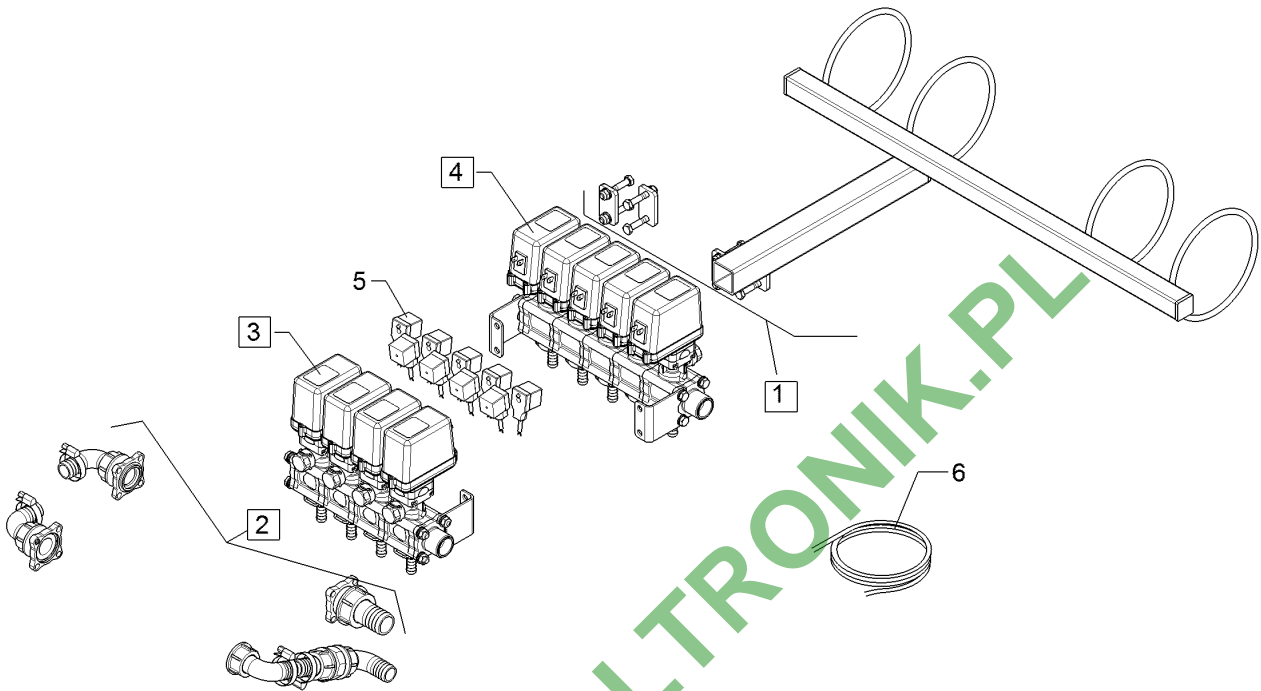
06.17

| Pos. | Art.Nr. | Stck. | Artikeltext / Description | | Abmessung |
|------|----------|-------|---------------------------|--------------|------------------------|
| 1 | F16 0109 | 1 | Schlauchhalter | Hose carrier | KPL DLA/ET |
| 2 | F06 0940 | 1 | Kit | Set | - |
| 4 | F61 3861 | 1 | Teilbreitenarmatur | Fitting | 7TB Elcomat Serie 4 |
| 5 | F61 3860 | 1 | Teilbreitenarmatur | Fitting | 6TB Elcomat Serie 4 |
| 6 | F41 0199 | 10 | Kabel | Cable | 25x0,5 ² |



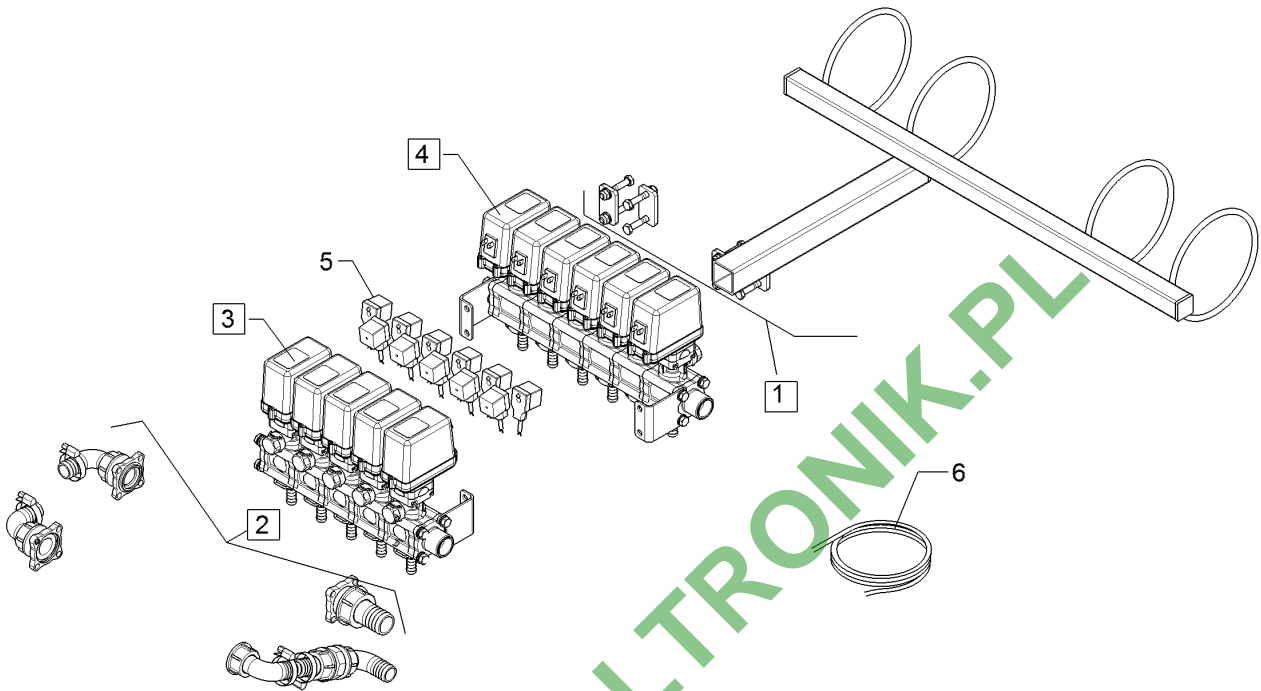
06.17

| Pos. | Art.Nr. | Stck. | Artikeltext / Description | Abmessung |
|------|----------|-------|---------------------------|-------------------------|
| 1 | F16 0109 | 1 | Schlauchhalter | Hose carrier |
| 2 | F13 0183 | 1 | Kit | Set |
| 3 | F61 3858 | 2 | Teilbreitenarmatur | Fitting |
| 5 | F61 3979 | 8 | Kabel | Cable |
| 6 | F41 0171 | 10 | Kabel | Cable |
| | | | | KPL DLA/ET |
| | | | | - |
| | | | | 4TB Elcomat Serie 4 |
| | | | | 8,5 m |
| | | | | 21x0,75 ² gr |



06.17

| Pos. | Art.Nr. | Stck. | Artikeltext / Description | Abmessung | |
|------|----------|-------|---------------------------|--------------|-------------------------|
| 1 | F16 0109 | 1 | Schlauchhalter | Hose carrier | KPL DLA/ET |
| 2 | F13 0183 | 1 | Kit | Set | - |
| 3 | F61 3858 | 1 | Teilbreitenarmatur | Fitting | 4TB Elcomat Serie 4 |
| 4 | F61 3859 | 1 | Teilbreitenarmatur | Fitting | 5TB Elcomat Serie 4 |
| 5 | F61 3979 | 9 | Kabel | Cable | 8,5 m |
| 6 | F41 0171 | 10 | Kabel | Cable | 21x0,75 ² gr |

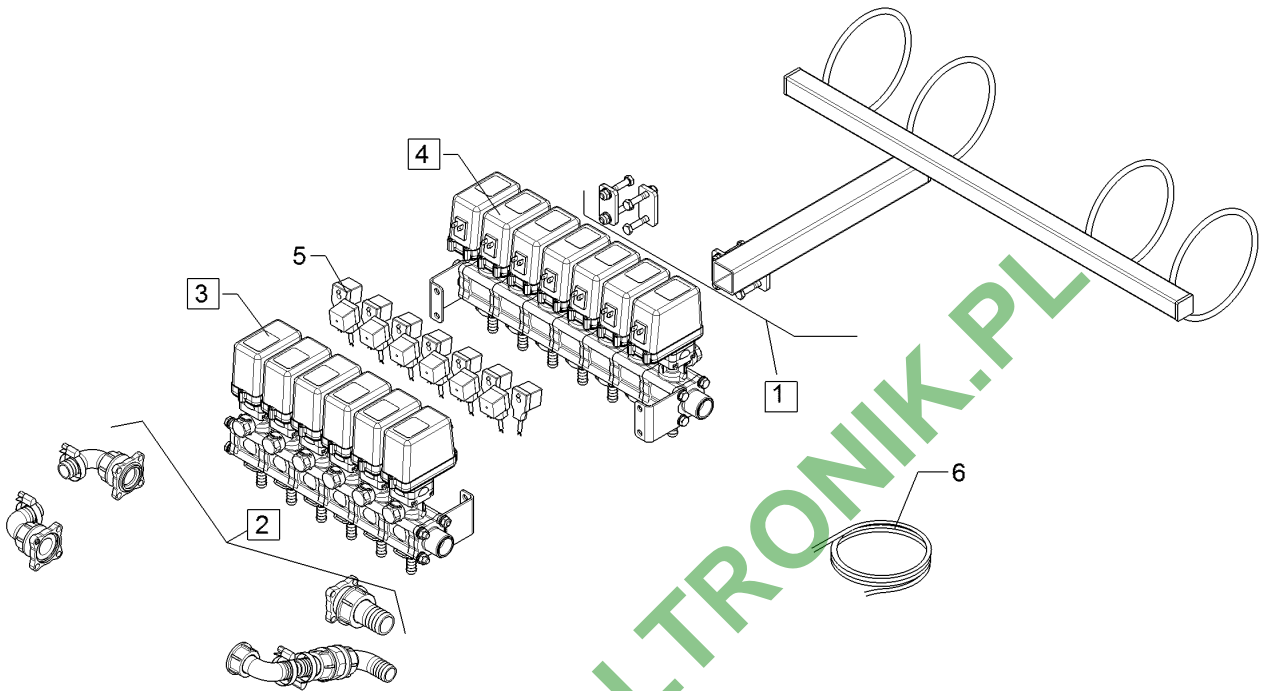


06.17

| Pos. | Art.Nr. | Stck. | Artikeltext / Description | Abmessung | |
|------|----------|-------|---------------------------|--------------|-----------------------------------|
| 1 | F16 0109 | 1 | Schlauchhalter | Hose carrier | KPL DLA/ET |
| 2 | F13 0183 | 1 | Kit | Set | - |
| 3 | F61 3859 | 1 | Teilbreitenarmatur | Fitting | 5TB Elcomat

 Serie 4 |
| 4 | F61 3860 | 1 | Teilbreitenarmatur | Fitting | 6TB Elcomat

 Serie 4 |
| 5 | F61 3979 | 11 | Kabel | Cable | 8,5 m |
| 6 | F41 0199 | 10 | Kabel | Cable | 25x0,5 ² |

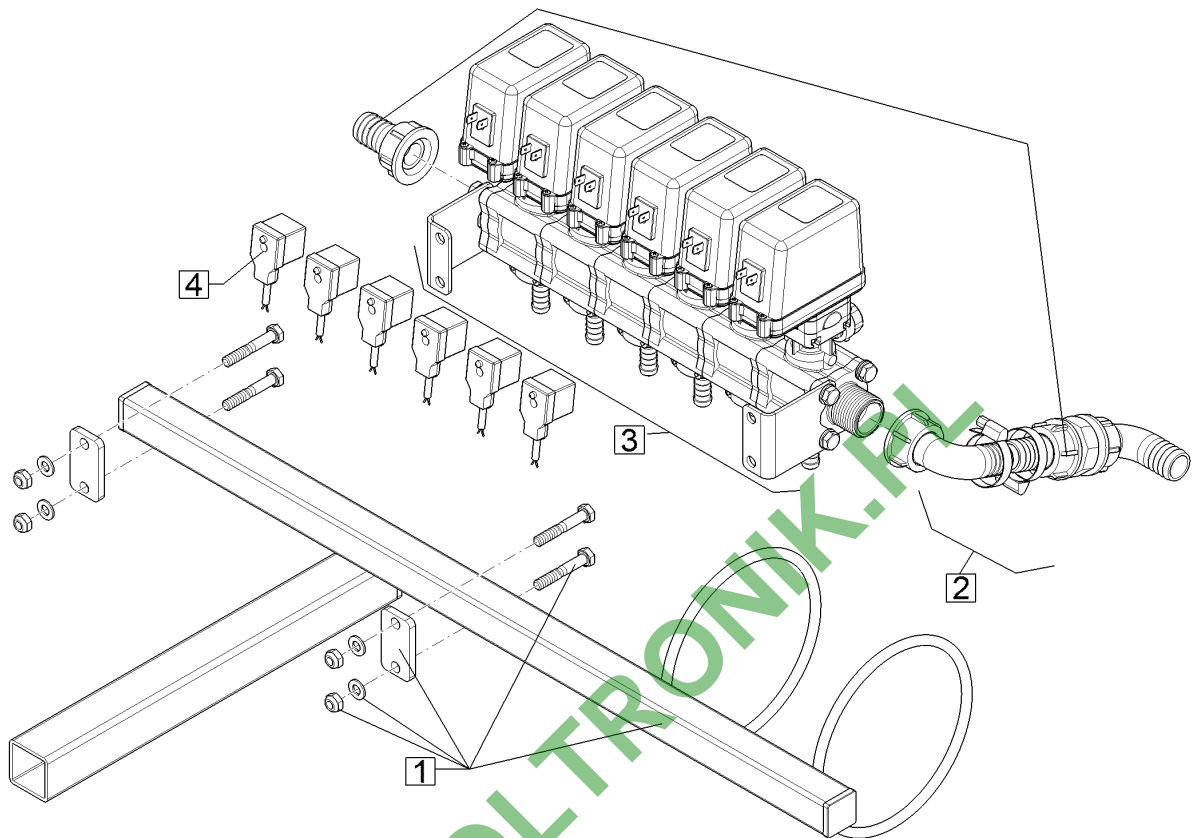


06.17

| Pos. | Art.Nr. | Stck. | Artikeltext / Description | Abmessung | |
|------|----------|-------|---------------------------|--------------|-----------------------------------|
| 1 | F16 0109 | 1 | Schlauchhalter | Hose carrier | KPL DLA/ET |
| 2 | F13 0183 | 1 | Kit | Set | - |
| 3 | F61 3860 | 1 | Teilbreitenarmatur | Fitting | 6TB Elcomat

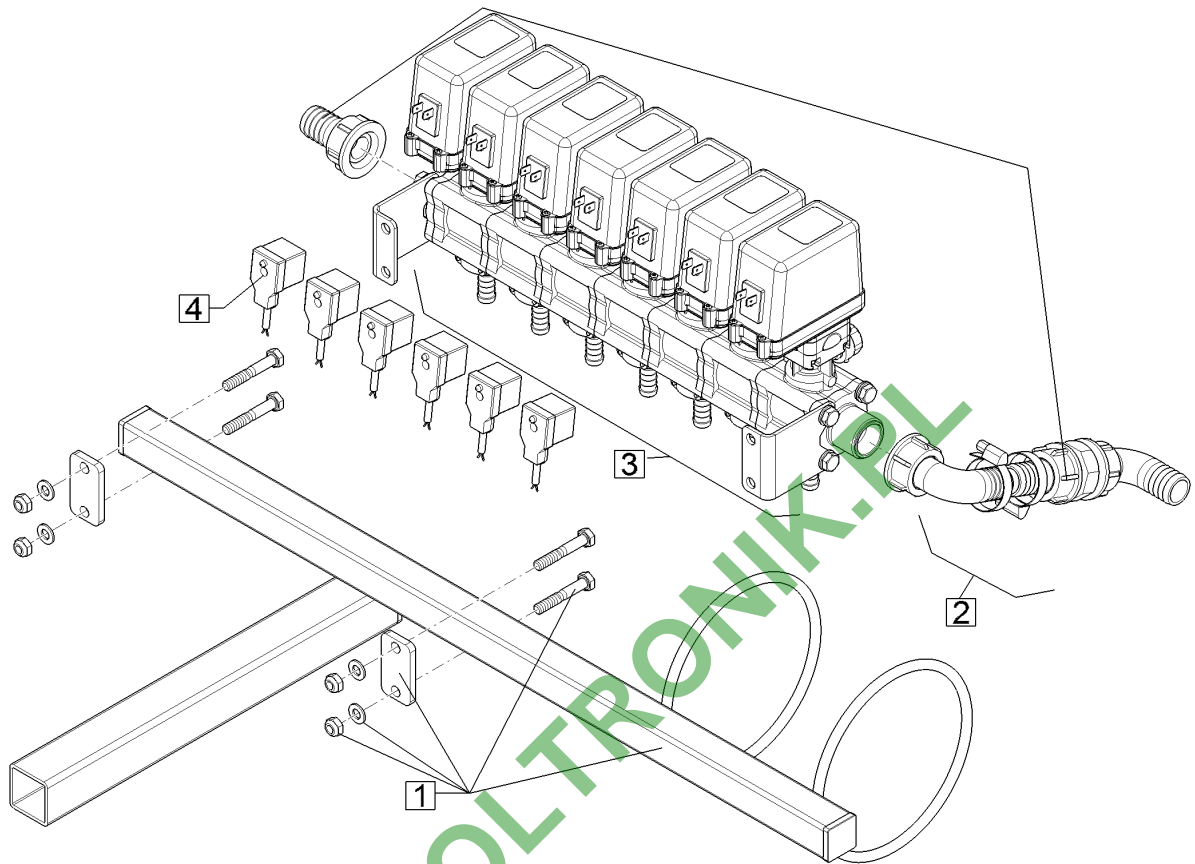
 Serie 4 |
| 4 | F61 3861 | 1 | Teilbreitenarmatur | Fitting | 7TB Elcomat

 Serie 4 |
| 5 | F61 3979 | 13 | Kabel | Cable | 8,5 m |
| 6 | F41 0199 | 10 | Kabel | Cable | 25x0,5 ² |



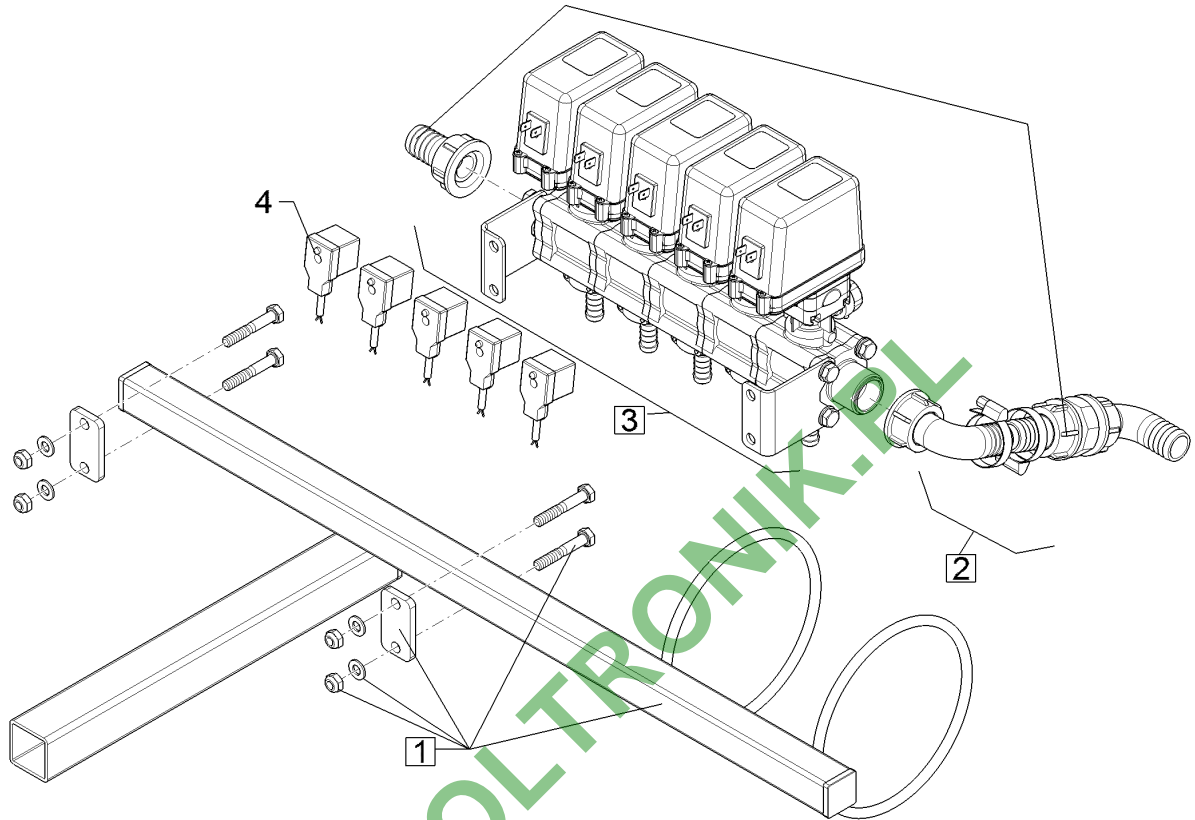
06.17

| Pos. | Art.Nr. | Stck. | Artikeltext / Description | | Abmessung |
|------|----------|-------|----------------------------|---------|---------------------|
| 1 | F06 0758 | 1 | Teilbreitenhahnehalterung | Holder | KPL ET |
| 2 | F13 0288 | 1 | Kit | Set | - |
| 3 | F61 3860 | 1 | Teilbreitenarmatur | Fitting | 6TB Elcomat Serie 4 |
| 4 | F61 3979 | 6 | Kabel | Cable | 8,5 m |



06.17

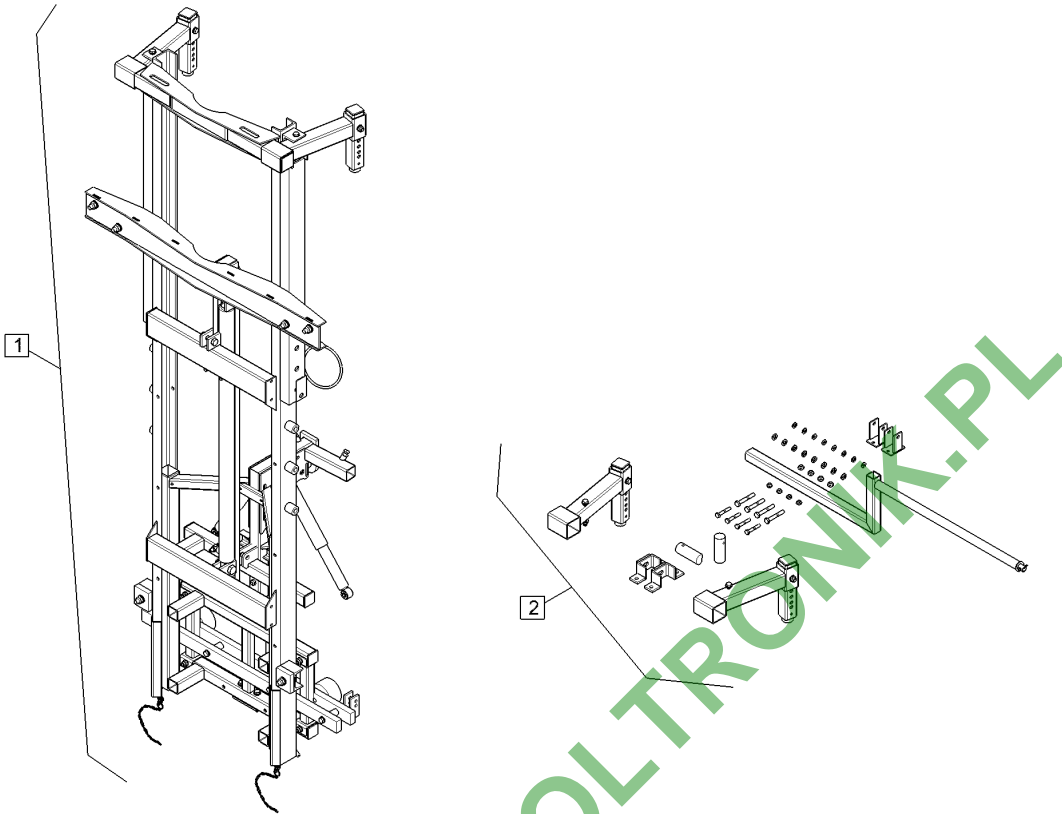
| Pos. | Art.Nr. | Stck. | Artikeltext / Description | | Abmessung |
|------|----------|-------|----------------------------|---------|---------------------|
| 1 | F06 0758 | 1 | Teilbreitenhahnehalterung | Holder | KPL ET |
| 2 | F13 0288 | 1 | Kit | Set | - |
| 3 | F61 3861 | 1 | Teilbreitenarmatur | Fitting | 7TB Elcomat Serie 4 |
| 4 | F61 3979 | 7 | Kabel | Cable | 8,5 m |



06.17

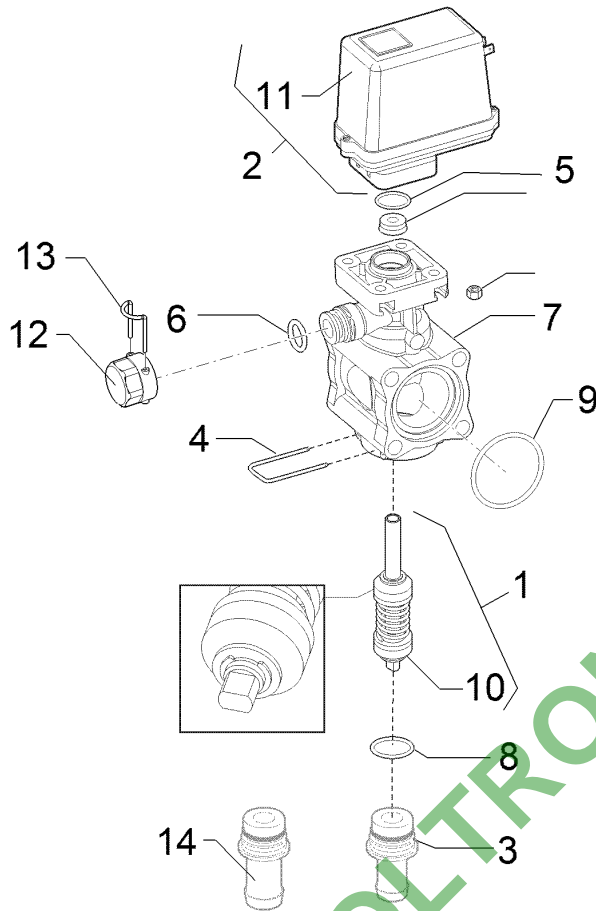
| Pos. | Art.Nr. | Stck. | Artikeltext / Description | | Abmessung |
|------|----------|-------|----------------------------|---------|---------------------|
| 1 | F06 0758 | 1 | Teilbreitenhahnehalterung | Holder | KPL ET |
| 2 | F13 0288 | 1 | Kit | Set | - |
| 3 | F61 3859 | 1 | Teilbreitenarmatur | Fitting | 5TB Elcomat Serie 4 |
| 4 | F61 3979 | 5 | Kabel | Cable | 8,5 m |

| | |
|-----------------------------|----------|
| Hubmast/Lift mast | 6 |
| EuroTrain 2600 TC / 3500 TC | F17 0001 |



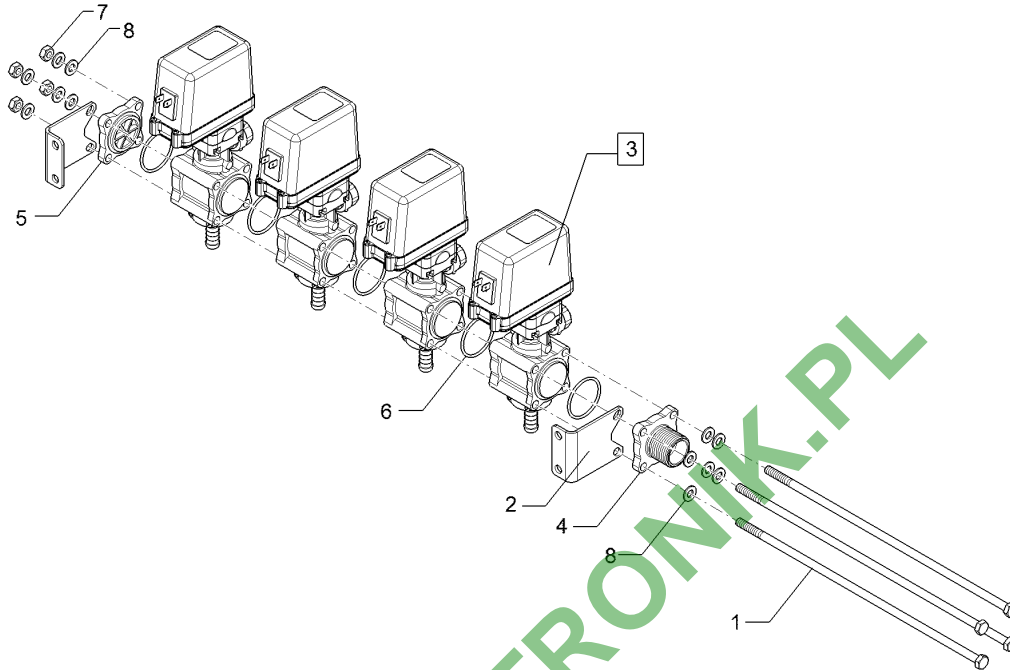
06.17

| Pos. | Art.Nr. | Stck. | Artikeltext / Description | Abmessung |
|------|----------|-------|---------------------------|----------------|
| 1 | F06 0920 | 1 | Hubmast | Lift mast |
| 2 | F06 2410 | 1 | Mittelteil | Center section |



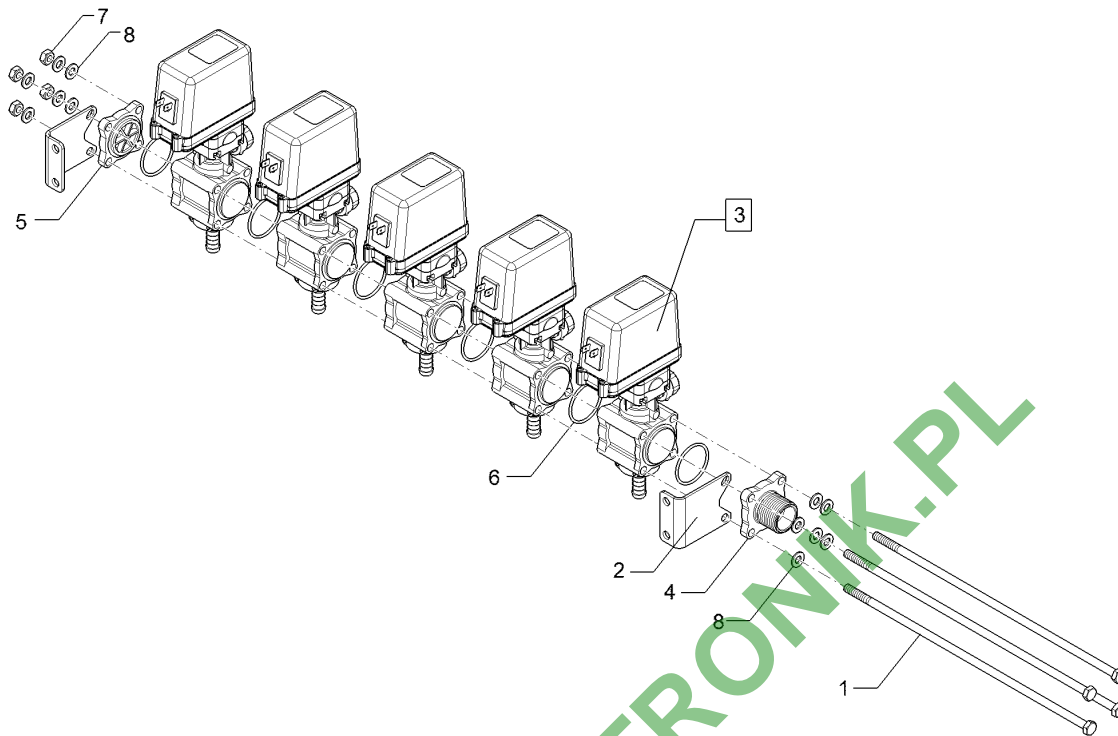
06.17

| Pos. | Art.Nr. | Stck. | Artikeltext / Description | Abmessung | |
|------|----------|-------|---------------------------|-----------------|-----------------|
| 1 | F61 0584 | 1 | Stößel | Pestle | - |
| 2 | F61 0587 | 1 | Motor | Motor | - |
| 3 | F61 1262 | 1 | Schlauchanschluss | Hose connection | D13 |
| 4 | F61 1481 | 1 | Sicherungsstecker | Plug | T2/D3x23 |
| 5 | F61 2123 | 1 | O-Ring | O-ring | 19x1,8 |
| 6 | F61 2165 | 1 | O-Ring | O-ring | 13,37x2,62 |
| 7 | F61 4196 | 1 | Gehäuse | Housing | - |
| 8 | F61 2195 | 1 | O-Ring | O-ring | 22,2x2,62 Viton |
| 9 | F61 2149 | 1 | O-Ring | O-ring | 39,3x2,6 Viton |
| 10 | F61 0586 | 1 | Dichtkegel | Conical nipple | - |
| 11 | F61 0608 | 1 | Schutzkappe | Cap | - |
| 12 | F61 0934 | 1 | Blindkappe | Cap | T2I |
| 13 | 37810223 | 1 | Sicherungsstecker | Plug | T1 |
| 14 | F61 1265 | 1 | Schlauchanschluss | Hose connection | D16 |



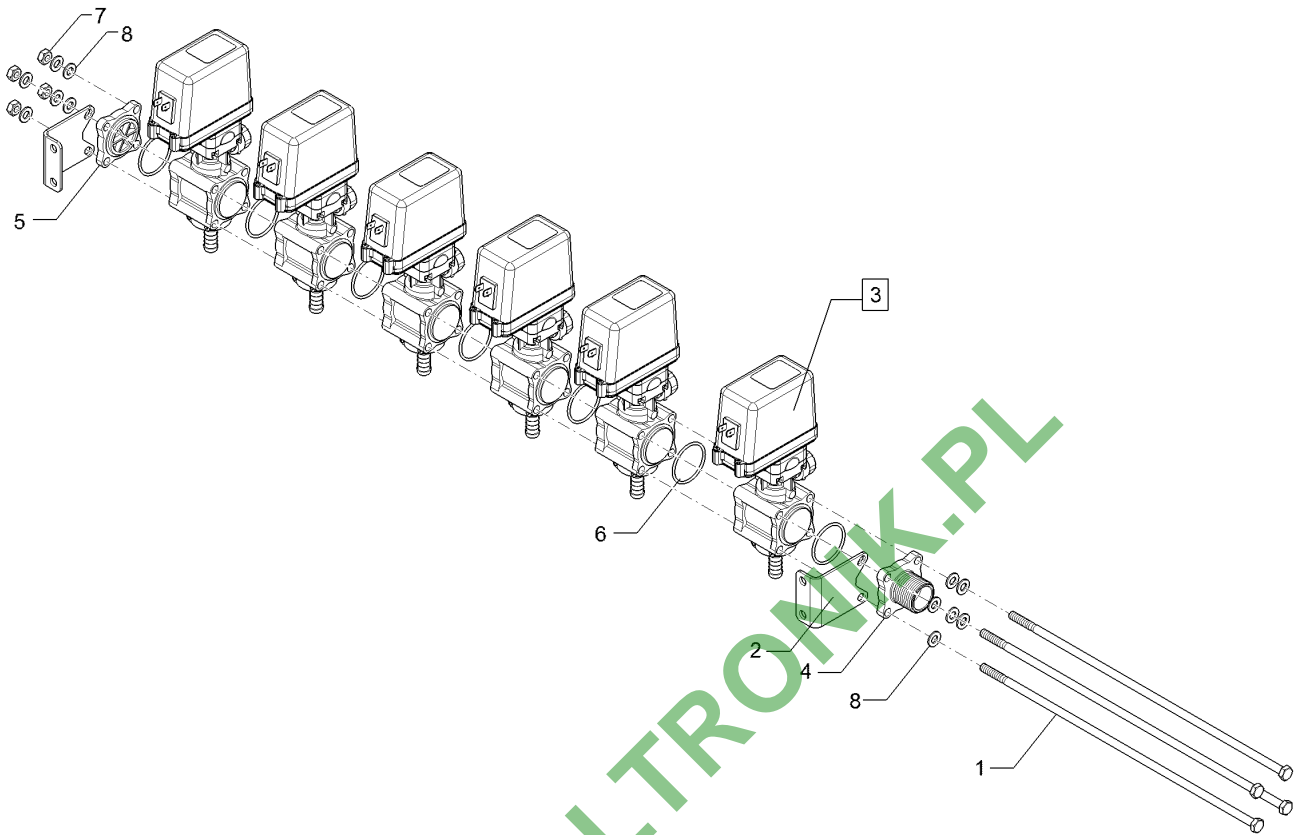
06.17

| Pos. | Art.Nr. | Stck. | Artikeltext / Description | | Abmessung |
|------|----------|-------|---------------------------|---------------|------------------|
| 1 | F20 0224 | 4 | Sechskantschraube | Hexagon bolt | M8x317-A2 DIN931 |
| 2 | F61 0162 | 2 | Befestigungswinkel | Angle bracket | - |
| 3 | F61 0582 | 4 | Teilbreitenventil | Valve | D13 463 |
| 4 | F61 1275 | 1 | Flansch | Flange | G1ZLA |
| 5 | F61 1276 | 1 | Abschlussdeckel | Cap | 463 |
| 6 | F61 2149 | 5 | O-Ring | O-ring | 39,3x2,6 Viton |
| 7 | 30310023 | 4 | Sechskantmutter | Hexagon nut | M8 DIN934-A4 |
| 8 | 305 8695 | 12 | Scheibe | Washer | A8,4 DIN125 A2 |



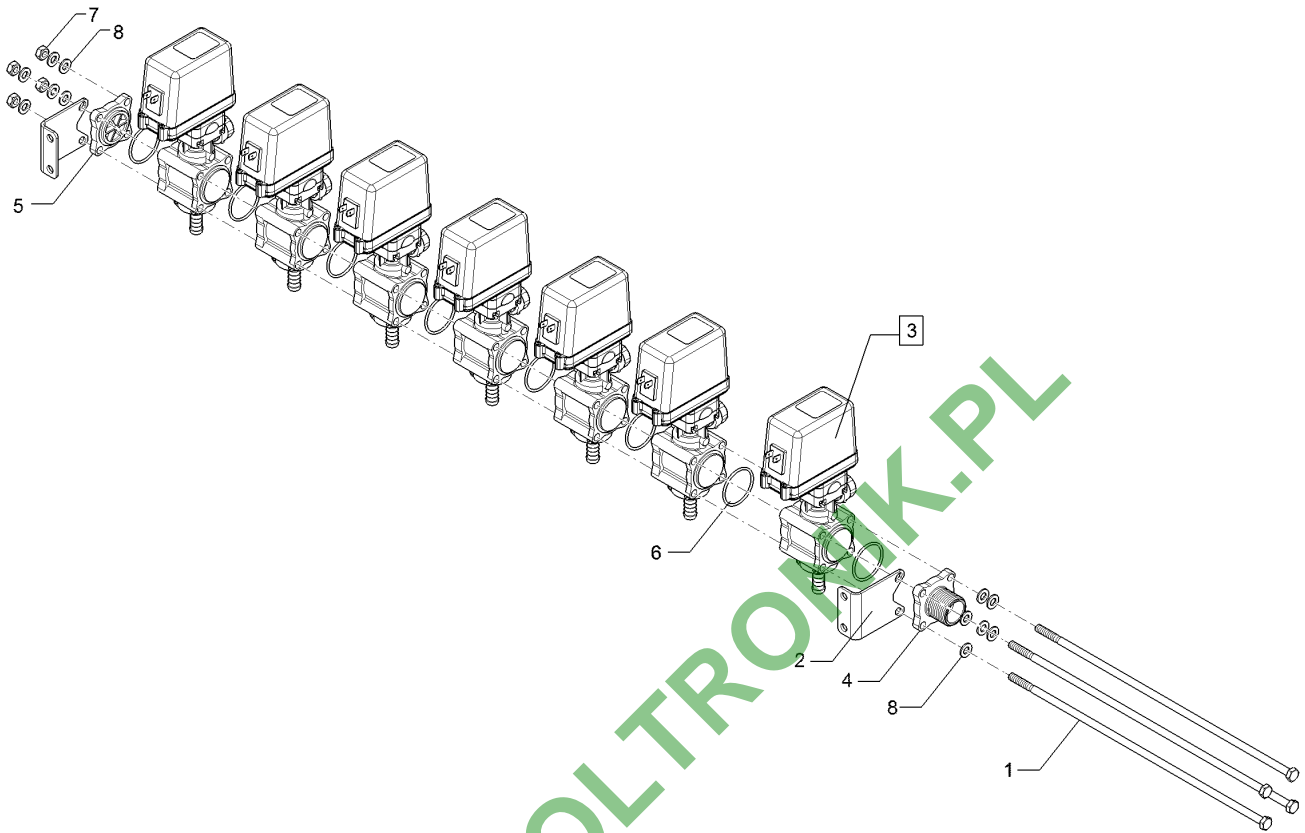
06.17

| Pos. | Art.Nr. | Stck. | Artikeltext / Description | | Abmessung |
|------|----------|-------|---------------------------|---------------|------------------|
| 1 | F20 0185 | 4 | Sechskantschraube | Hexagon bolt | M8x317-A2 DIN931 |
| 2 | F61 0162 | 2 | Befestigungswinkel | Angle bracket | - |
| 3 | F61 0582 | 5 | Teilbreitenventil | Valve | D13 463 |
| 4 | F61 1275 | 1 | Flansch | Flange | G1ZLA |
| 5 | F61 1276 | 1 | Abschlussdeckel | Cap | 463 |
| 6 | F61 2149 | 6 | O-Ring | O-ring | 39,3x2,6 Viton |
| 7 | 30310023 | 4 | Sechskantmutter | Hexagon nut | M8 DIN934-A4 |
| 8 | 305 8695 | 12 | Scheibe | Washer | A8,4 DIN125 A2 |



06.17

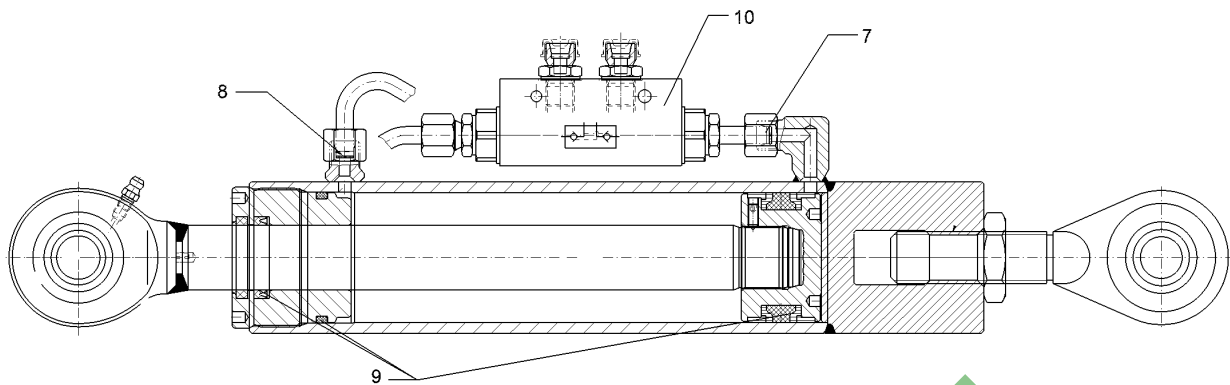
| Pos. | Art.Nr. | Stck. | Artikeltext / Description | | Abmessung |
|------|----------|-------|---------------------------|---------------|------------------|
| 1 | F20 0225 | 4 | Sechskantschraube | Hexagon bolt | M8x375-A2 DIN931 |
| 2 | F61 0162 | 2 | Befestigungswinkel | Angle bracket | - |
| 3 | F61 0582 | 6 | Teilbreitenventil | Valve | D13 463 |
| 4 | F61 1275 | 1 | Flansch | Flange | G1ZLA |
| 5 | F61 1276 | 1 | Abschlussdeckel | Cap | 463 |
| 6 | F61 2149 | 7 | O-Ring | O-ring | 39,3x2,6 Viton |
| 7 | 30310023 | 4 | Sechskantmutter | Hexagon nut | M8 DIN934-A4 |
| 8 | 305 8695 | 12 | Scheibe | Washer | A8,4 DIN125 A2 |



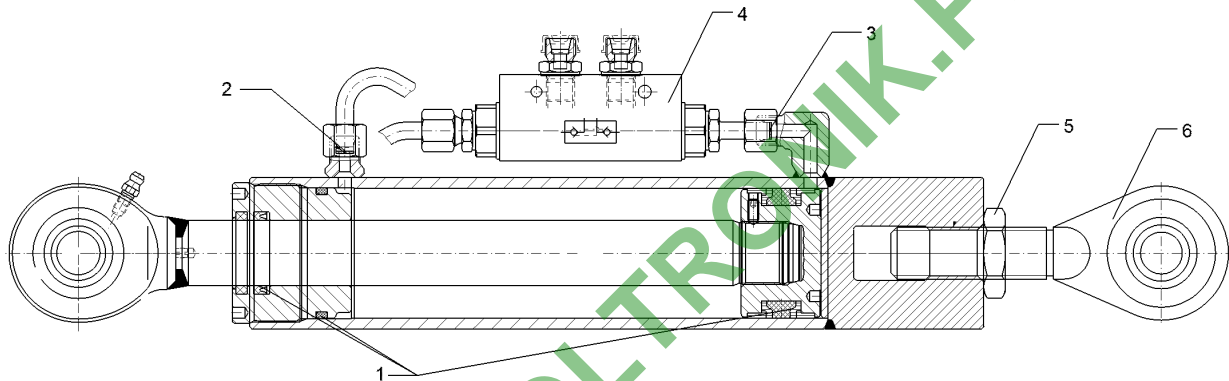
06.17

| Pos. | Art.Nr. | Stck. | Artikeltext / Description | | Abmessung |
|------|----------|-------|---------------------------|---------------|------------------|
| 1 | F20 0226 | 4 | Sechskantschraube | Hexagon bolt | M8x432-A2 DIN931 |
| 2 | F61 0162 | 2 | Befestigungswinkel | Angle bracket | - |
| 3 | F61 0582 | 7 | Teilbreitenventil | Valve | D13 463 |
| 4 | F61 1275 | 1 | Flansch | Flange | G1ZLA |
| 5 | F61 1276 | 1 | Abschlussdeckel | Cap | 463 |
| 6 | F61 2149 | 8 | O-Ring | O-ring | 39,3x2,6 Viton |
| 7 | 30310023 | 4 | Sechskantmutter | Hexagon nut | M8 DIN934-A4 |
| 8 | 305 8695 | 12 | Scheibe | Washer | A8,4 DIN125 A2 |

F03_0569



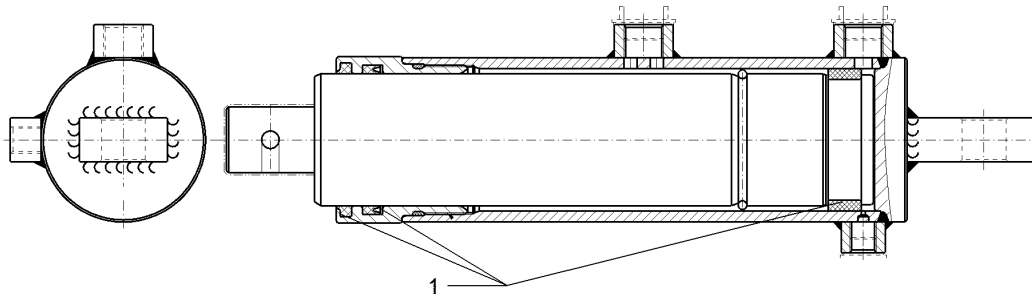
69910208



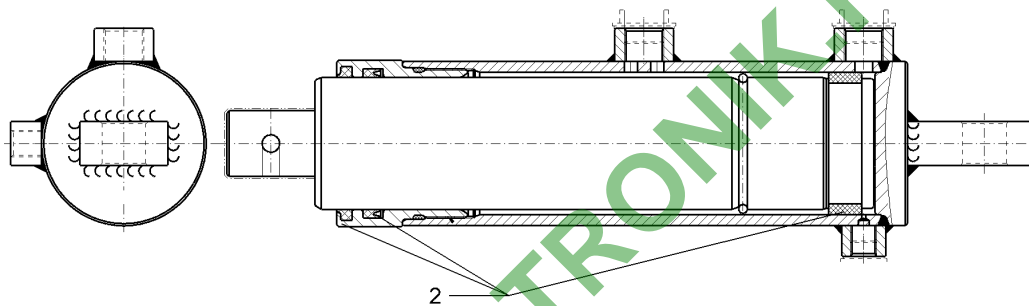
06.17

| Pos. | Art.Nr. | Stck. | Artikeltext / Description | Abmessung | |
|------|----------|-------|---------------------------|-------------------|-----------------------|
| 1 | F60 0999 | 1 | Dichtungssatz | Seal set | - |
| 2 | F02 1145 | 1 | Drosselverschraubung | Throttle union | D=0,75 |
| 3 | F02 1146 | 1 | Drosselverschraubung | Throttle union | D=1,0 |
| 4 | F02 1158 | 1 | Rückschlagventil | Nonreturn valve | - |
| 5 | 303 1019 | 1 | Sechskantmutter | Hexagon nut | M24 DIN934-8 Zn |
| 6 | F25 0152 | 1 | Oberlenkerspindel | Screw | M24x3 Kat. I |
| 7 | R00 4200 | 1 | Drosselscheibe | Restrictor washer | D8x1,0 BO 1,0 |
| 8 | 37510099 | 1 | Drosselscheibe | Restrictor washer | D8x1,0 BO 0,75 |
| 9 | 57510494 | 1 | Dichtungssatz | Seal set | 30/60 |
| 10 | 57510537 | 1 | Rückschlagventil | Nonreturn valve | DVVG-G1/4-BU-106-05-2 |

Schöder F60_0481



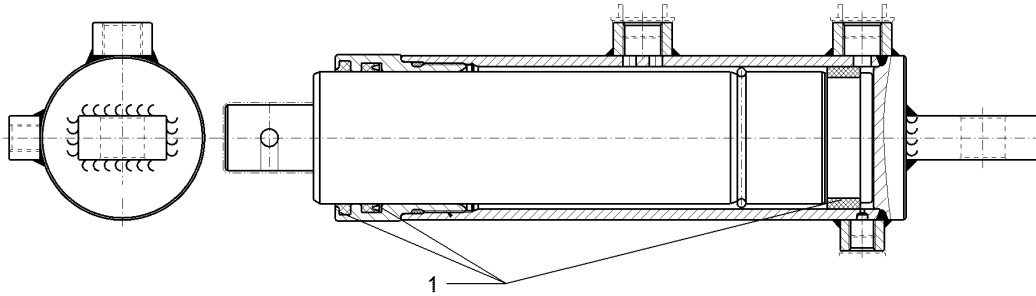
69910211



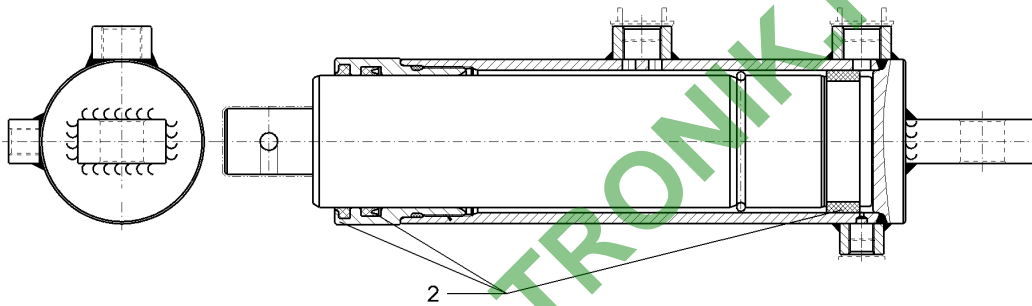
06.17

| Pos. | Art.Nr. | Stck. | Artikeltext / Description | Abmessung |
|------|----------|-------|---------------------------|-----------|
| 1 | F60 1005 | 1 | Dichtungssatz | - |
| 2 | 57510495 | 1 | Dichtungssatz | D50 |

Schöder F60_0524

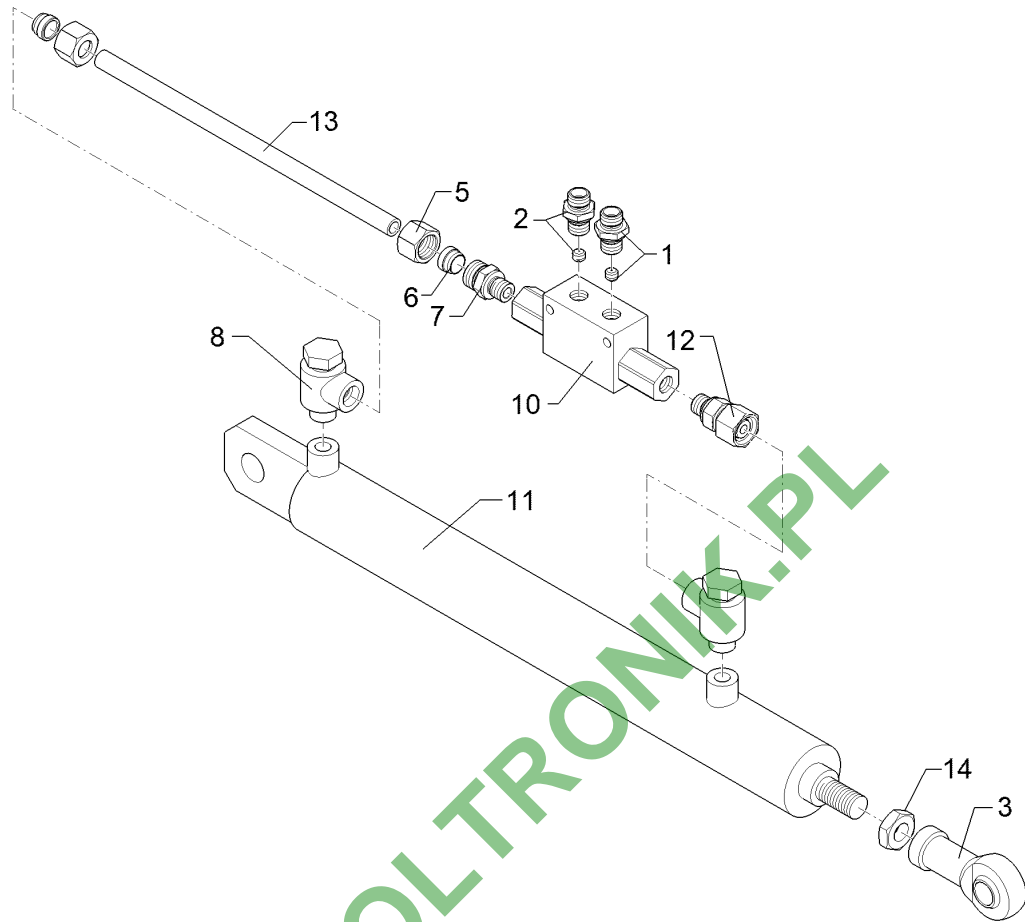


69910213



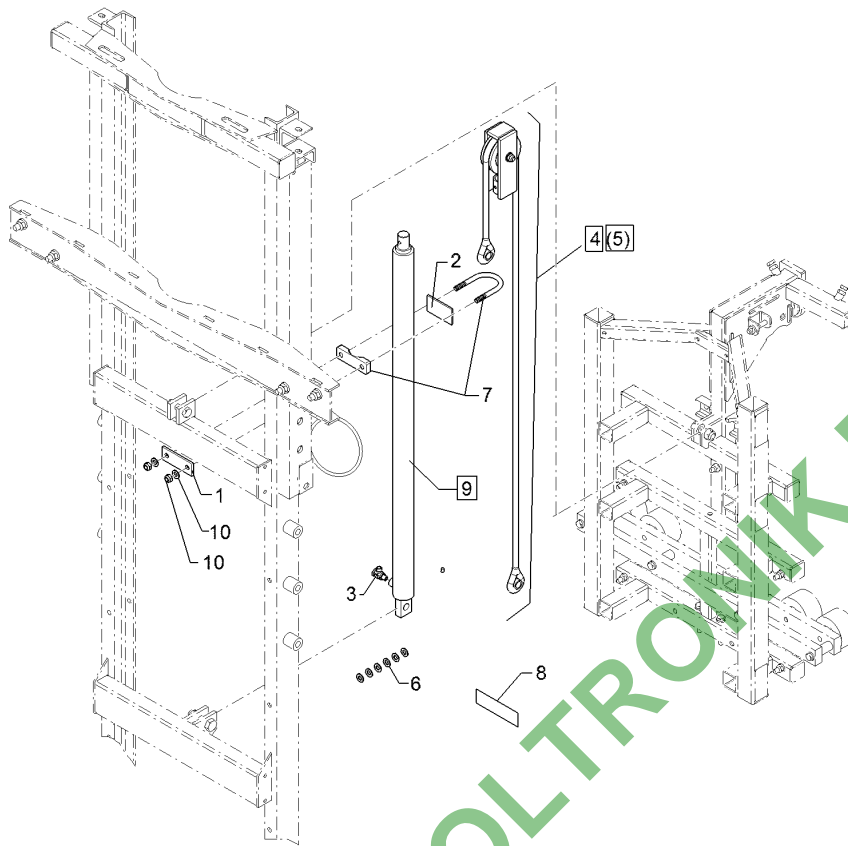
06.17

| Pos. | Art.Nr. | Stck. | Artikeltext / Description | Abmessung |
|------|----------|-------|---------------------------|-----------|
| 1 | F60 1002 | 1 | Dichtungssatz | - |
| 2 | F60 0942 | 1 | Dichtungssatz | D40 |



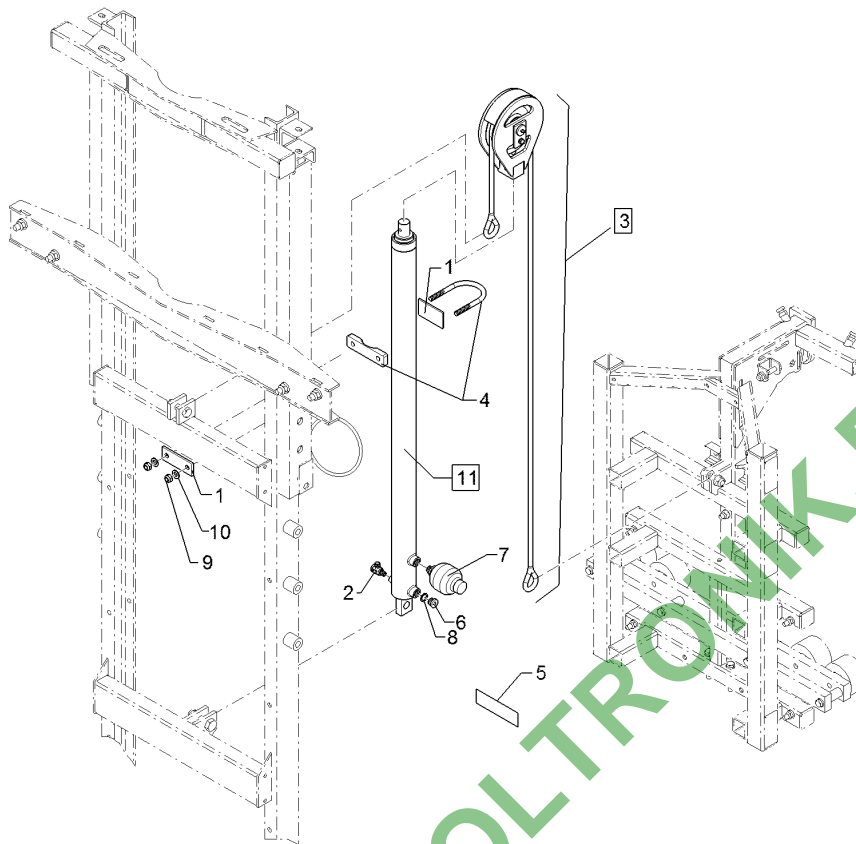
06.17

| Pos. | Art.Nr. | Stck. | Artikeltext / Description | | Abmessung |
|------|----------|-------|--------------------------------|-----------------|-------------------------------|
| 1 | F02 1143 | 1 | Drosseleinschraubverschraubung | Throttle nipple | G1/4ZL M14 D=0,75 |
| 2 | F02 1747 | 1 | Drosseleinschraubverschraubung | Throttle nipple | G1/4ZL M14 D=1,0 |
| 3 | F25 0685 | 1 | Gelenkkopf | Joint end | GISW 16xM16 |
| 5 | F60 0228 | 2 | Überwurfmutter | Union nut | M18x1,5 |
| 6 | F60 0229 | 2 | Schneidring | Cutting ring | - |
| 7 | F60 0233 | 1 | Einschraubverschraubung | Nipple | R1/4 ZL |
| 8 | F60 0234 | 2 | Winkelschwenkverschraubung | AD12/M16x1,5 | AD12 |
| 10 | F60 0353 | 1 | Rückschlagventil | Nonreturn valve | FPD 1/4 10G 10 bar 85l/min |
| 11 | F60 0456 | 1 | Hydraulikzylinder | Hydraulic ram | DZ0--/--x0320----- |
| 12 | F60 0989 | 1 | Einschraubstutzen | Screwed socket | AD12/M18x1,5 |
| 13 | F65 0592 | 1 | Hydraulikrohr | Hydraulic tube | D12x2x260 |
| 14 | 303 1020 | 1 | Sechskantmutter | Hexagon nut | M16 DIN936-8 Zn |



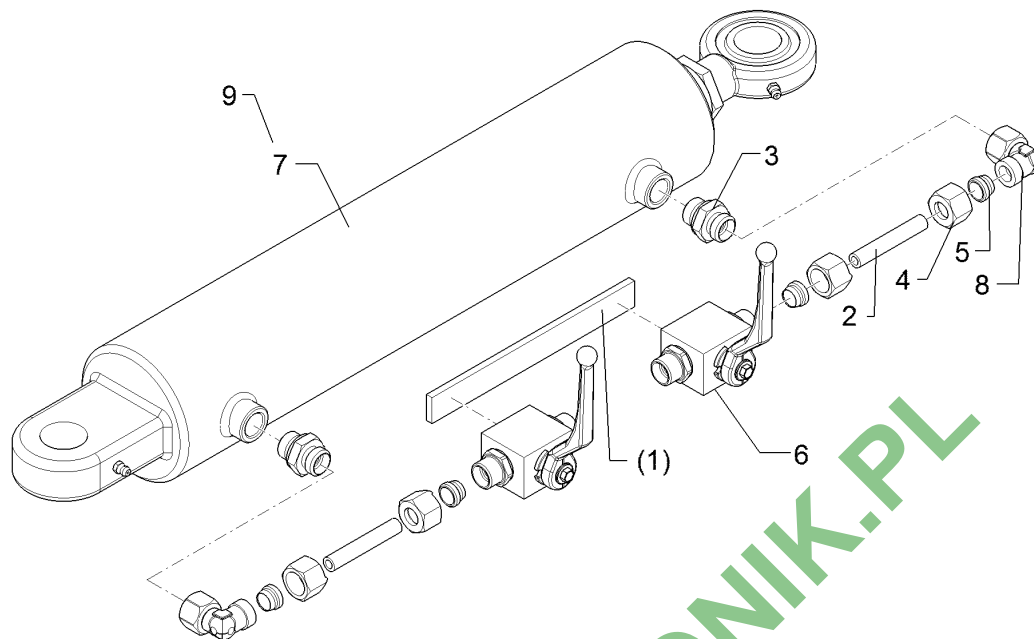
06.17

| Pos. | Art.Nr. | Stck. | Artikeltext / Description | Abmessung | |
|------|----------|-------|---------------------------|-------------------|----------------------------------|
| 1 | F01 1720 | 1 | Unterlage | Plate | 40x6x110 2d13 |
| 2 | F01 1837 | 1 | Unterlage | Plate | 50x90x5 NBR 45 schwarz |
| 3 | F02 1147 | 1 | Schwenkverschraubung | Union, swivel | AD8/ M12x1,5 1,5er Drossel |
| 4 | F04 0141 | 1 | Umlenkrolle | Return pulley | 40 ET |
| 5 | F04 0142 | 1 | Umlenkrolle | Return pulley | KPL 40 ET SP/SPH |
| 6 | F25 0262 | 6 | Tellerfeder | Cup spring | 34x12,3x1,5 |
| 7 | F25 0538 | 1 | Rundstahlbügel | Round steel clamp | RB W5-RUL-PA 57 V4A |
| 8 | F51 0221 | 1 | Aufkleber | Label | - |
| 9 | F60 0520 | 1 | Hydraulikzylinder | Hydraulic ram | DZ055/40x1000-1190 |
| 10 | 30310030 | 2 | Sicherungsmutter | Selflocking nut | D30 D20 |
| 11 | 305 8709 | 2 | Scheibe | Washer | NM12 DIN985-A4 13 DIN125-A A2 |



06.17

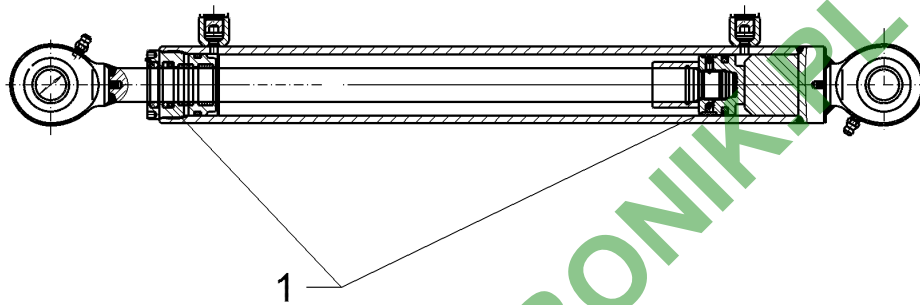
| Pos. | Art.Nr. | Stck. | Artikeltext / Description | Abmessung | |
|------|----------|-------|---------------------------|-----------------------|-----------------------------|
| 1 | F01 1837 | 1 | Unterlage | Plate | 50x90x5 NBR 45 schwarz |
| 2 | F02 1147 | 1 | Schwenkverschraubung | Union, swivel | AD8/ M12x1,5 1,5er |
| 3 | F04 0145 | 1 | Umlenkrolle | Return pulley | Drossel SH20-24 |
| 4 | F25 0519 | 1 | Rundstahlbügel | Round steel clamp | RB 76,1 W5 A 82 KPL V4A |
| 5 | F51 0221 | 1 | Aufkleber | Label | - |
| 6 | F60 0148 | 1 | Verschlusschraube | Plug | M18x1,5 |
| 7 | F60 0400 | 1 | Hydrospeicher | Hydraulic accumulator | M18x1,5 0,16 ltr. 210bar |
| 8 | F61 2345 | 1 | Kupfering | Seal ring | 18x24x1,5 1/k DIN7603 A |
| 9 | 30310030 | 2 | Sicherungsmutter | Selflocking nut | NM12 DIN985-A4 |
| 10 | 305 8709 | 2 | Scheibe | Washer | 13 DIN125-A A2 |
| 11 | 57510251 | 1 | Hydraulikzylinder | Hydraulic ram | EZ50x1025x1225 |



06.17

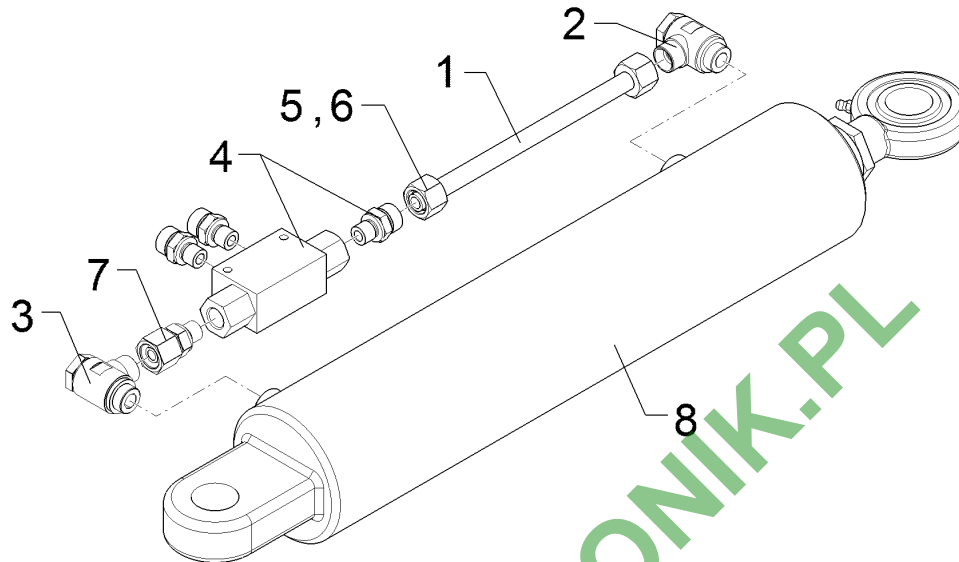
| Pos. | Art.Nr. | Stck. | Artikeltext / Description | | Abmessung |
|------|----------|-------|---------------------------|----------------|------------------------|
| 1 | F11 0005 | 1 | Flach | Flat steel | 50x5x180 |
| 2 | F11 0125 | 2 | Hydraulikrohr | Hydraulic tube | 10x2x60 |
| 3 | F60 0167 | 2 | Einschraubverschraubung | Nipple | AD12/M18x1,5 |
| 4 | F60 0228 | 4 | Überwurfmutter | Union nut | M18x1,5 |
| 5 | F60 0229 | 4 | Schneidring | Cutting ring | - |
| 6 | F60 0388 | 2 | Blockkugelhahn | Ball valve | DN10/M18x1,5 |
| 7 | F60 0507 | 1 | Hydraulikzylinder | Hydraulic ram | DZ090/45x0320-0610 |
| 8 | F60 0987 | 2 | Verschraubung | Union | D30 D30 |
| 9 | F60 0997 | 1 | Dichtungssatz | Seal set | AD12/M18x1,5 D45/80 |

| | |
|---------------------------------|----------|
| Hydraulikzylinder/Hydraulic ram | 7 |
| EuroTrain 2600 TC / 3500 TC | F60 0507 |



06.17

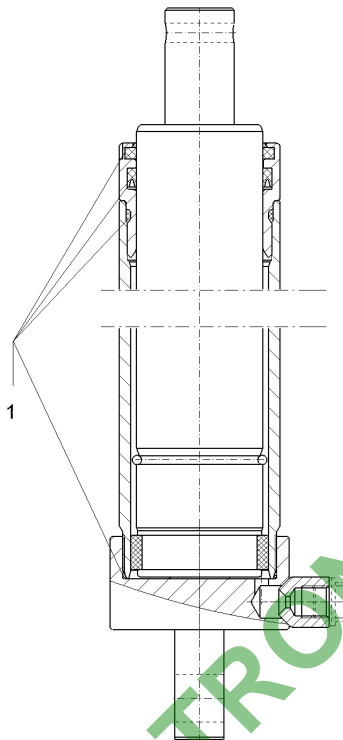
| Pos. | Art.Nr. | Stck. | Artikeltext / Description | Abmessung |
|------|----------|-------|---------------------------|-----------|
| 1 | F60 0997 | 1 | Dichtungssatz Seal set | D45/80 |



06.17

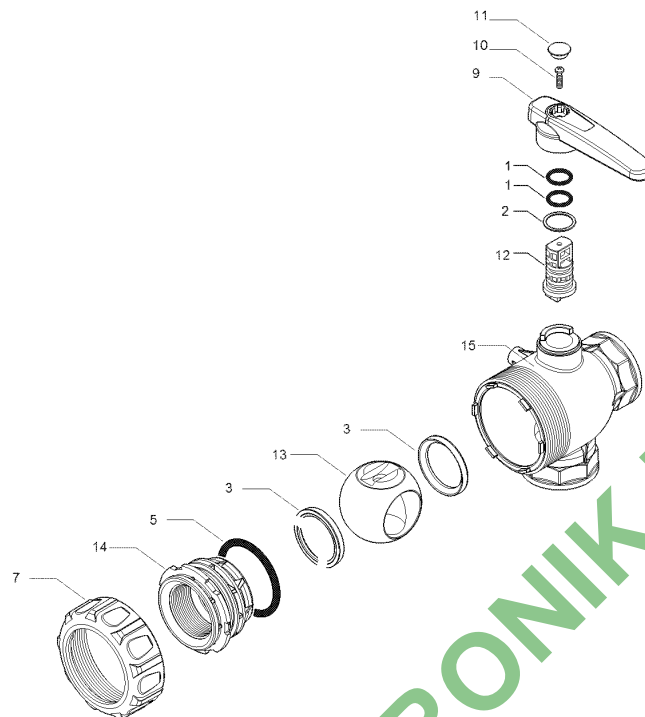
| Pos. | Art.Nr. | Stck. | Artikeltext / Description | Abmessung | |
|------|----------|-------|---------------------------|---------------------|-------------------------------|
| 1 | F01 2334 | 1 | Verbindungsrohr | Joint tube | - |
| 2 | F02 1145 | 1 | Drosselverschraubung | Throttle union | D=0,75 |
| 3 | F02 1146 | 1 | Drosselverschraubung | Throttle union | D=1,0 |
| 4 | F02 1158 | 1 | Rückschlagventil | Nonreturn valve | - |
| 5 | F60 0161 | 2 | Überwurfmutter | Union nut | M14x1,5 |
| 6 | F60 0162 | 2 | Schneidring | Cutting ring | - |
| 7 | F60 0237 | 2 | Wechselreduzierung | M18x1,5a./M12x1,5i. | M18x1,5a./M12x1,5i. |
| 8 | F60 0507 | 1 | Hydraulikzylinder | Hydraulic ram | DZ090/45x0320-0610 D30 D30 |
| 9 | F61 2345 | 2 | Kupfering | Seal ring | 18x24x1,5 1/k DIN7603 A |

| | |
|---------------------------------|----------|
| Hydraulikzylinder/Hydraulic ram | 7 |
| EuroTrain 2600 TC / 3500 TC | F60 0520 |



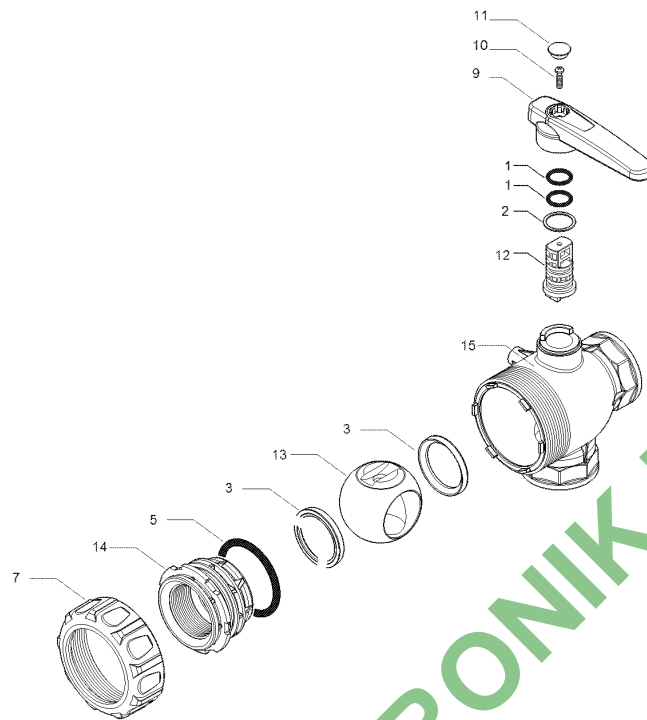
06.17

| Pos. | Art.Nr. | Stck. | Artikeltext / Description | Abmessung |
|------|----------|-------|---------------------------|-----------|
| 1 | F60 1003 | 1 | Dichtungssatz Seal set | - |



06.17

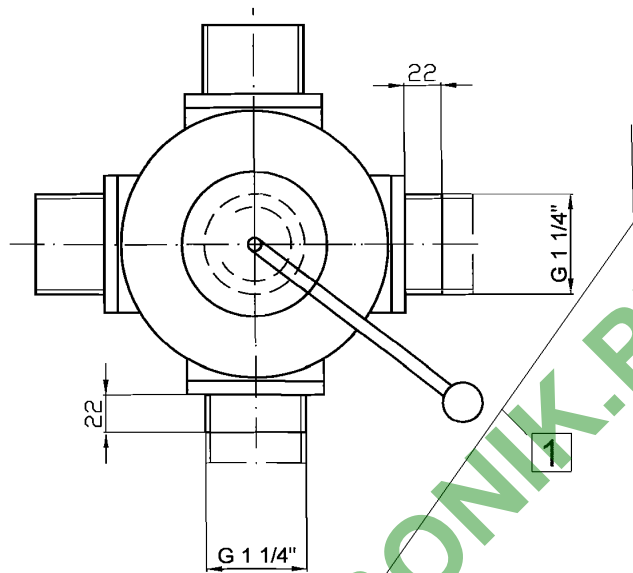
| Pos. | Art.Nr. | Stck. | Artikeltext / Description | Abmessung | |
|------|----------|-------|---------------------------|-------------|-------------------------|
| 1 | R52 0554 | 2 | O-Ring | O-ring | 16x2,5 Viton |
| 2 | R52 0562 | 1 | Dichtung | Seal | 25x1x21 PE |
| 3 | R52 0563 | 2 | Dichtung | Seal | 41,7x5x32,2 45GRD PE |
| 5 | 37810284 | 1 | O-Ring | O-ring | 47,2x3,5 |
| 7 | 37810602 | 1 | Überwurfmutter | Union nut | 1-1/4ZL |
| 9 | 37810632 | 1 | Hebel | Lever | 1/2 3/4 1 1-1/4ZL |
| 10 | 30110330 | 1 | Schraube | Screw | D4x16 A2 |
| 11 | 37810025 | 1 | Kappe | Cap | rd |
| 12 | 37810681 | 1 | Antriebswelle | Drive shaft | 1-1/4ZL |
| 13 | 37810682 | 1 | Kugel | Ball | DN32 2xD51 |
| 14 | 37810683 | 1 | Gewindebuchse | Insert | 1-1/4ZL |
| 15 | 37810601 | 1 | Ventilgehäuse | Housing | 1-1/4ZL 3W |



06.17

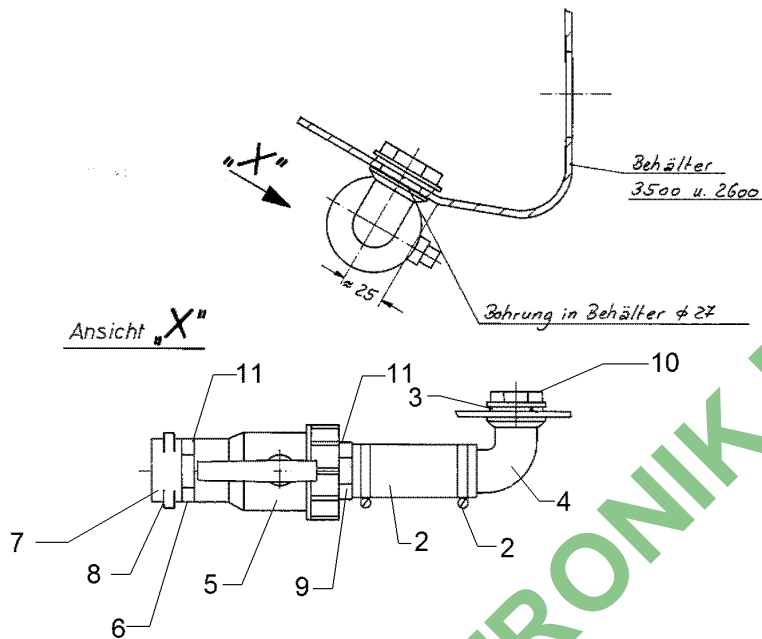
| Pos. | Art.Nr. | Stck. | Artikeltext / Description | Abmessung | |
|------|----------|-------|---------------------------|---------------------|----------------------------|
| 1 | R52 0554 | 2 | O-Ring | O-ring | 16x2,5 Viton |
| 2 | 37810661 | 1 | Flachdichtung | Flat seal | 1x21,3x35 |
| 3 | 37810666 | 2 | Ventilsitz | Valve seat | 2ZL PTFE |
| 5 | 37810667 | 1 | O-Ring | O-ring | 72,39x5,34 EPDM |
| 7 | 37810664 | 1 | Überwurfmutter | Union nut | 2ZL Ventil |
| 9 | 37810660 | 1 | Hebel | Lever | 2ZL rd |
| 10 | 30110441 | 1 | Senk-Blechschaube | Countersunk bolt | 4,2x16-C-T20 A2 DIN7982 |
| 11 | R52 0445 | 1 | Abdeckkappe | Cap | 2 ZL rd |
| 12 | 37810662 | 1 | Antriebswelle | Drive shaft | 2 ZL Kugel |
| 13 | 37810665 | 1 | Kugel | Ball | D80 DN 50 |
| 14 | 37810668 | 1 | Gewindeanschluss | Threaded connection | 2ZLI |
| 15 | 37810663 | 1 | Ventilgehäuse | Housing | 3x2ZLI |

| | |
|-----------------------------|----------|
| Kugelventil/Ball valve | 8 |
| EuroTrain 2600 TC / 3500 TC | F01 4562 |



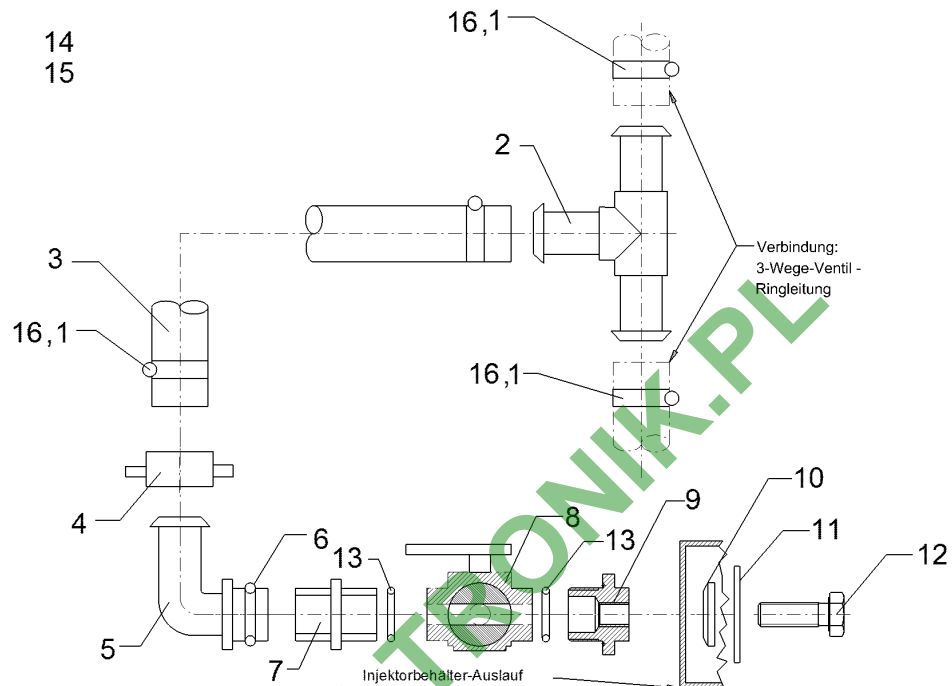
06.17

| Pos. | Art.Nr. | Stck. | Artikeltext / Description | Abmessung |
|------|----------|-------|---------------------------|-------------------|
| 1 | F61 3879 | 1 | Kugelventil Ball valve | 5/.. KPL G11/2 ZL |



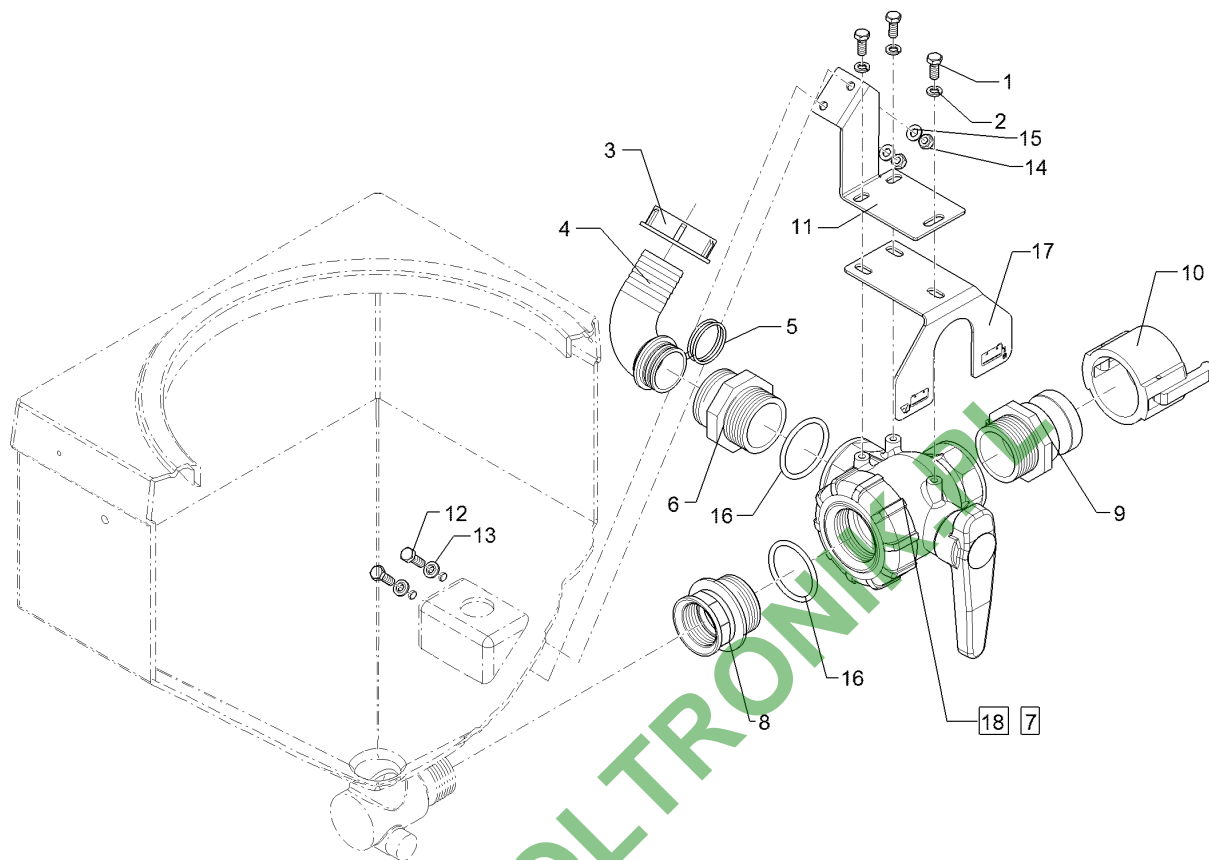
06.17

| Pos. | Art.Nr. | Stck. | Artikeltext / Description | Abmessung |
|------|----------|-------|---------------------------|--------------------------------|
| 1 | F01 2169 | 1 | Schlauch | Hose 19i.x6x80 |
| 2 | F61 2400 | 2 | Schlauchschelle | Hose clip D20-D32x9 |
| 3 | F61 1907 | 1 | Dichtung | Seal 39,5x2,5x27,5 |
| 4 | F01 1373 | 1 | Anschluss | Connection G3/4 ZL 19 mm |
| 5 | F61 0127 | 1 | Kugelventil | Ball valve 2/2 G1/2ZL |
| 6 | 37810492 | 1 | Adapter | Adapter G3/4ZLA G1/2ZLA |
| 7 | F61 3919 | 1 | Dichtung | Seal 24,5 a. |
| 8 | F61 0941 | 1 | Verschlussmutter | Cap nut G3/4 ZL SYN |
| 9 | 37810333 | 1 | Schlauchanschluss | Hose connection G1/2ZLA D20 |
| 10 | F61 0883 | 1 | Mutter | Nut G3/4ZL |
| 11 | F61 1972 | 2 | O-Ring | O-ring 20x3 |
| 12 | F55 0250 | 2 | Schutzkappe | Cap bl 9mm |



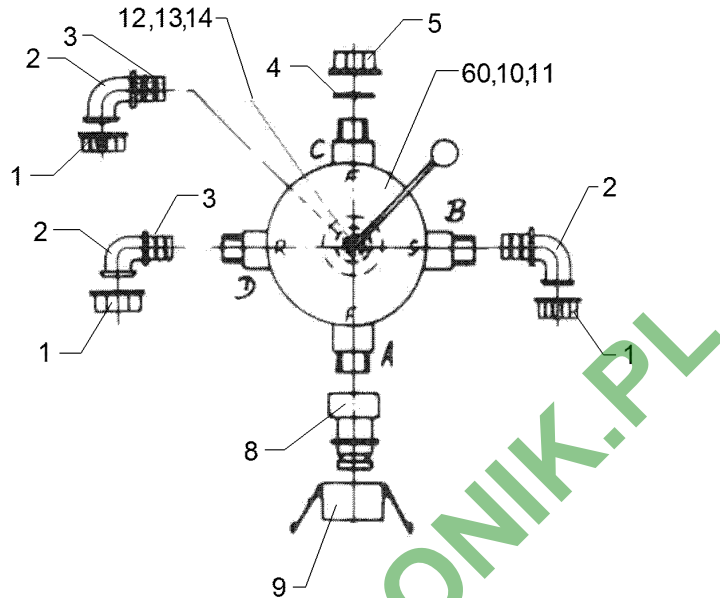
06.17

| Pos. | Art.Nr. | Stck. | Artikeltext / Description | Abmessung | |
|------|----------|-------|---------------------------|-----------------|------------------------|
| 1 | F61 2401 | 4 | Schlauchschelle | Hose clip | D12-D22x9 |
| 2 | F61 1311 | 1 | T-Stück | T-piece | TS 13 POM |
| 3 | F01 2181 | 1 | Schlauch | Hose | di13x4x700 |
| 4 | F61 1140 | 1 | Überwurfmutter | Union nut | G3/4ZL |
| 5 | F61 0947 | 1 | Zapfen | Pivot | G3/4 ZL |
| 6 | F61 1951 | 1 | Dichtung | Seal | 14x24x2 PVC |
| 7 | 37810474 | 1 | Adapter | Adapter | G3/4ZLA G3/4ZLA |
| 8 | F61 0129 | 1 | Kugelventil | Ball valve | 2/2 G3/4ZLI |
| 9 | F01 1208 | 1 | Anschluss | Connection | D40/G3/4Zx30 M12 |
| 10 | F61 1968 | 1 | Dichtring | Seal ring | M12 |
| 11 | 30510089 | 1 | Scheibe | Washer | D13/37x3 A2 DIN9021 |
| 12 | F01 1209 | 1 | Sechskantschraube Spz. | Hexagon bolt | M12X30 d=3/4,5 |
| 13 | 37810281 | 2 | O-Ring | O-ring | 26,7x2,6 |
| 14 | F01 4530 | 1 | Wellrohr | Corrugated tube | 24i.x390 |
| 15 | F55 0196 | 1 | Kabelbinder | Cable clip | 4,8x178 |
| 16 | F55 0250 | 4 | Schutzkappe | Cap | bl 9mm |



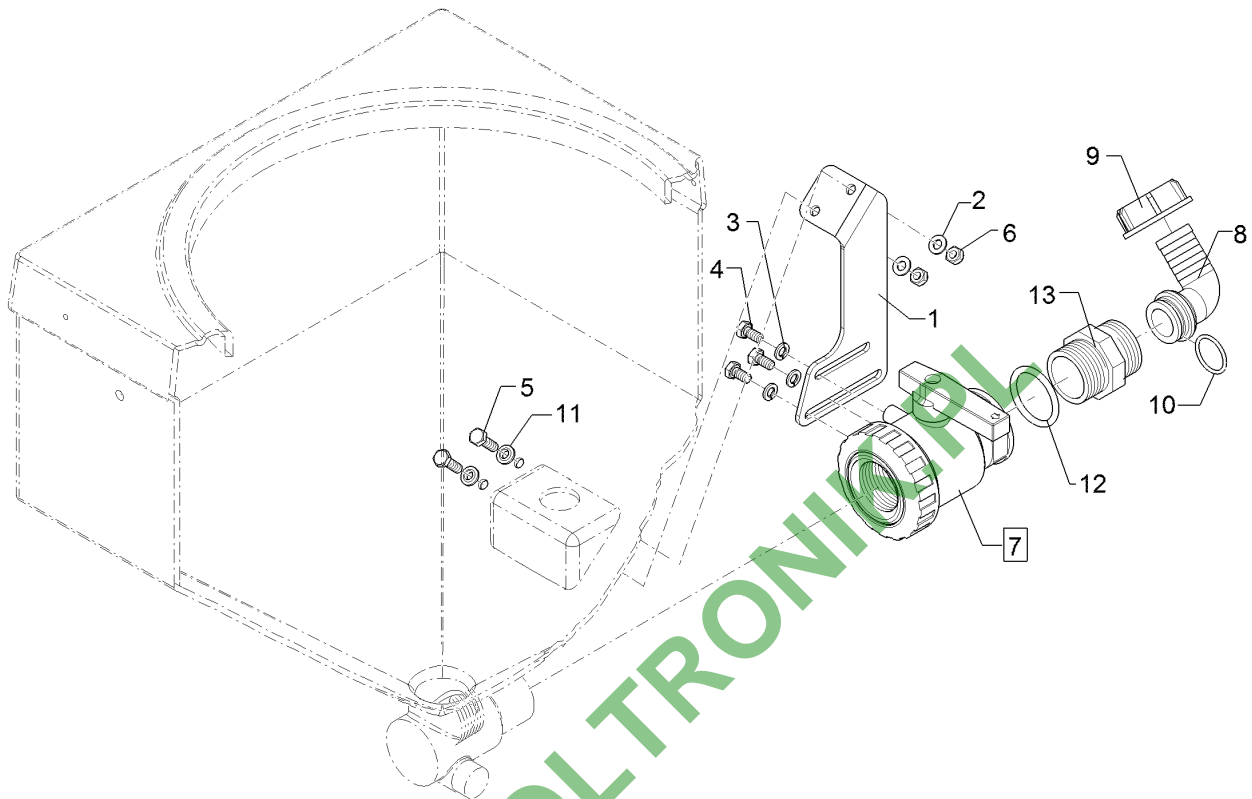
06.17

| Pos. | Art.Nr. | Stck. | Artikeltext / Description | | Abmessung |
|------|----------|-------|---------------------------|-----------------|------------------------|
| 1 | 301 6751 | 3 | Sechskantschraube | Hexagon bolt | M8x20-A2 DIN933 |
| 2 | 30510102 | 3 | Federring | Spring ring | 8 Form B-V2A DIN127 |
| 3 | 37810582 | 1 | Überwurfmutter | Union nut | G2 ZL |
| 4 | F61 0859 | 1 | Schlauchanschluss | Hose connection | G2ZLÜ 90GRD D45 |
| 5 | 37810275 | 2 | O-Ring | O-ring | 39,3x2,6 |
| 6 | 37810478 | 1 | Adapter | Adapter | G2ZLA G2ZLA |
| 7 | F61 0146 | 1 | Kugelventil | Ball valve | 3/3 G2ZLI |
| 8 | 37810415 | 1 | Adapter | Adapter | G1 1/2 ZLI G2 ZLA |
| 9 | F61 1335 | 1 | Kupplung | Coupling | G2 ZL |
| 10 | F61 1337 | 1 | Kappe | Cap | 2ZLI |
| 11 | F01 1595 | 1 | Halter | Holder | 70x3x144x120 |
| 12 | 301 7518 | 2 | Sechskantschraube | Hexagon bolt | M8x25-A2 DIN933 |
| 13 | F61 1966 | 2 | Dichtring | Seal ring | M8 |
| 14 | 30310043 | 2 | Sicherungsmutter | Selflocking nut | NM8 DIN985-A4 |
| 15 | 305 8695 | 2 | Scheibe | Washer | A8,4 DIN125 A2 |
| 16 | F61 2039 | 2 | O-Ring | O-ring | 55x5 |
| 17 | F50 0139 | 1 | Beschriftungsplatte | Plate | 3x115x100x160 |
| 18 | 57810121 | 1 | Kugelventil | Ball valve | G2 ZL |



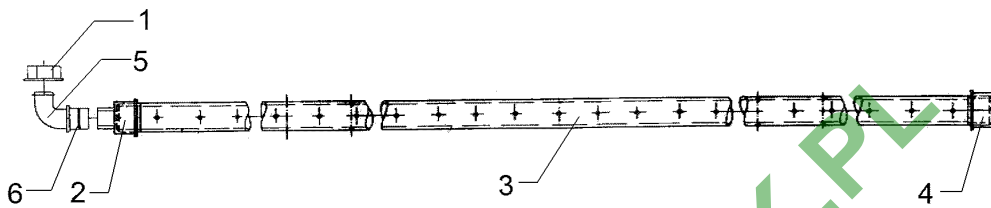
06.17

| Pos. | Art.Nr. | Stck. | Artikeltext / Description | Abmessung | |
|------|----------|-------|---------------------------|--------------------|--------------------------|
| 1 | 37810582 | 3 | Überwurfmutter | Union nut | G2 ZL |
| 2 | F61 0860 | 3 | Schlauchanschluss | Hose connection | G2ZLÜ 90GRD D50 |
| 3 | 37810275 | 6 | O-Ring | O-ring | 39,3x2,6 |
| 4 | F61 1909 | 1 | Dichtung | Seal | 40x60x4 |
| 5 | 37810570 | 1 | Verschlusskappe | Cover | G2 ZLI |
| 6 | F61 0180 | 1 | Kugelventil | Ball valve | G2ZLA 4/5 |
| 10 | F50 0135 | 1 | Beschriftungsscheibe | Disk | - |
| 12 | 30110143 | 4 | Sechskantschraube | Hexagon bolt | M10x20-A2 DIN933 |
| 13 | 305 8704 | 4 | Scheibe | Washer | A10,5 DIN125-St A2 |
| 14 | 30510103 | 4 | Federring | Spring ring | 10-B DIN127 A2 |
| 15 | 30110439 | 2 | Blechschaube | Self-tapping screw | C-H4,8x9,5-A2 DIN7981 |



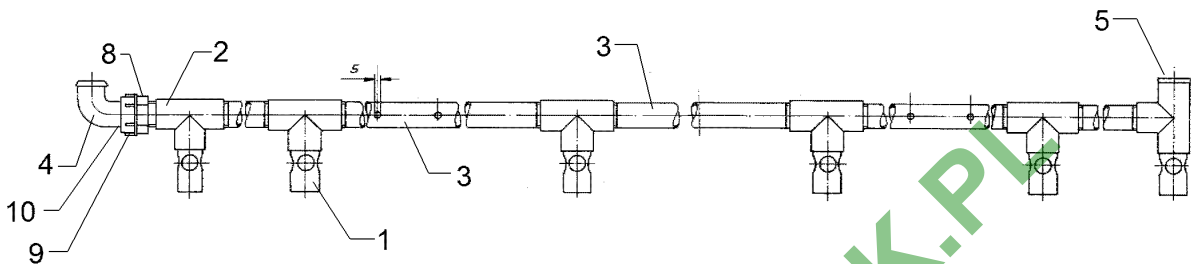
06.17

| Pos. | Art.Nr. | Stck. | Artikeltext / Description | Abmessung | |
|------|----------|-------|---------------------------|-----------------|---------------------------|
| 1 | F01 1525 | 1 | Ventilhalter | Holder | 4x102,6x229,5 2xD9 GEB |
| 2 | 305 8695 | 2 | Scheibe | Washer | A8,4 DIN125 A2 |
| 3 | 30510102 | 2 | Federring | Spring ring | 8 Form B-V2A DIN127 |
| 4 | 301 7511 | 2 | Sechskantschraube | Hexagon bolt | M8x16-A2 DIN933 |
| 5 | 301 7518 | 2 | Sechskantschraube | Hexagon bolt | M8x25-A2 DIN933 |
| 6 | 30310043 | 2 | Sicherungsmutter | Selflocking nut | NM8 DIN985-A4 |
| 7 | F61 0135 | 1 | Kugelventil | Ball valve | 2/2 G1-1/2ZLI |
| 8 | F61 0855 | 1 | Schlauchanschluss | Hose connection | G1-1/2ZLÜ 90GRD D32 |
| 9 | 37810581 | 1 | Überwurfmutter | Union nut | G1-1/2 ZL |
| 10 | 37810283 | 1 | O-Ring | O-ring | 29,2x3 |
| 11 | F61 1966 | 2 | Dichtring | Seal ring | M8 |
| 12 | F61 1970 | 1 | O-Ring | O-ring | 43,82x5,33 |
| 13 | 37810477 | 1 | Adapter | Adapter | G1-1/2ZLA G1-1/2ZLA |



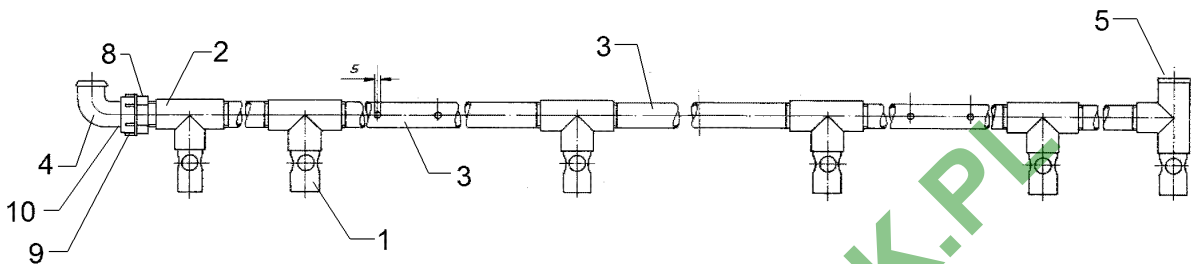
06.17

| Pos. | Art.Nr. | Stck. | Artikeltext / Description | Abmessung | |
|------|----------|-------|---------------------------|-----------------|-------------------|
| 1 | 37810580 | 1 | Überwurfmutter | Union nut | G1-1/4 ZL |
| 2 | 37810412 | 1 | Adapter | Adapter | G1 ZLI G1 1/4 ZLA |
| 3 | F11 1132 | 1 | Rührwerksrohr lose | -- | - |
| 4 | 37810567 | 1 | Verschlusskappe | Cover | G1 ZLI |
| 5 | F61 0853 | 1 | Schlauchanschluss | Hose connection | G1-1/4ZLÜ 90GRD |
| 6 | 37810281 | 1 | O-Ring | O-ring | D32 26,7x2,6 |



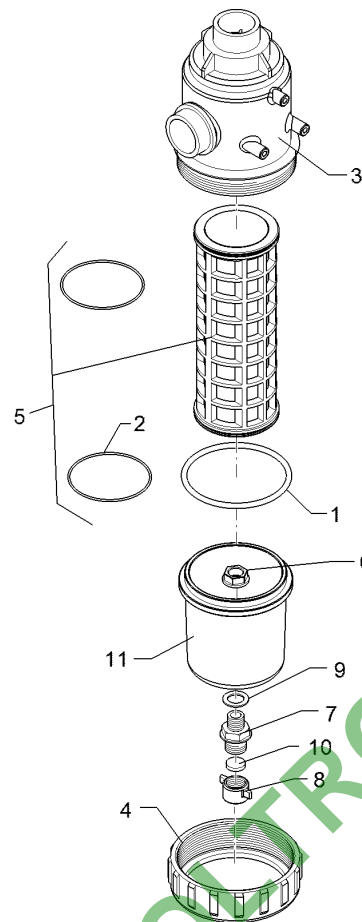
06.17

| Pos. | Art.Nr. | Stck. | Artikeltext / Description | Abmessung | |
|------|----------|-------|---------------------------|-----------------|-------------------|
| 1 | F01 0365 | 8 | Rührdüse | Agitator nozzle | D25/20 d2 G3/4 ZL |
| 2 | F61 3921 | 8 | T-Stück | T-piece | G3/4ZLI |
| 3 | F01 2330 | 7 | Rührwerksrohr | Agitator tube | R3/4ZLx3,75x258 |
| 4 | F61 0850 | 1 | Schlauchanschluss | Hose connection | G1ZLÜ 90GRD D25 |
| 5 | 37810650 | 1 | Stopfen | Plug | G3/4 ZLA |
| 8 | 37810494 | 1 | Adapter | Adapter | G1ZLA G3/4ZLA |
| 9 | 37810579 | 1 | Überwurfmutter | Union nut | G1 ZL |
| 10 | F61 1972 | 1 | O-Ring | O-ring | 20x3 |



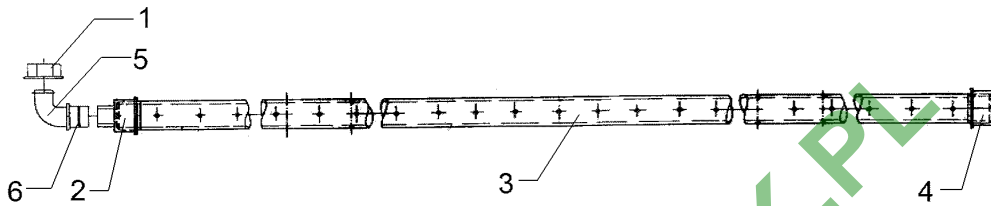
06.17

| Pos. | Art.Nr. | Stck. | Artikeltext / Description | Abmessung | |
|------|----------|-------|---------------------------|-----------------|-------------------|
| 1 | F01 0365 | 10 | Rührdüse | Agitator nozzle | D25/20 d2 G3/4 ZL |
| 2 | F61 3921 | 10 | T-Stück | T-piece | G3/4ZLI |
| 3 | F01 2330 | 9 | Rührwerksrohr | Agitator tube | R3/4ZLx3,75x258 |
| 4 | 37810494 | 1 | Adapter | Adapter | G1ZLA G3/4ZLA |
| 5 | 37810650 | 1 | Stopfen | Plug | G3/4 ZLA |
| 6 | F61 0850 | 1 | Schlauchanschluss | Hose connection | G1ZLÜ 90GRD D25 |
| 7 | 37810579 | 1 | Überwurfmutter | Union nut | G1 ZL |
| 8 | F61 1972 | 1 | O-Ring | O-ring | 20x3 |



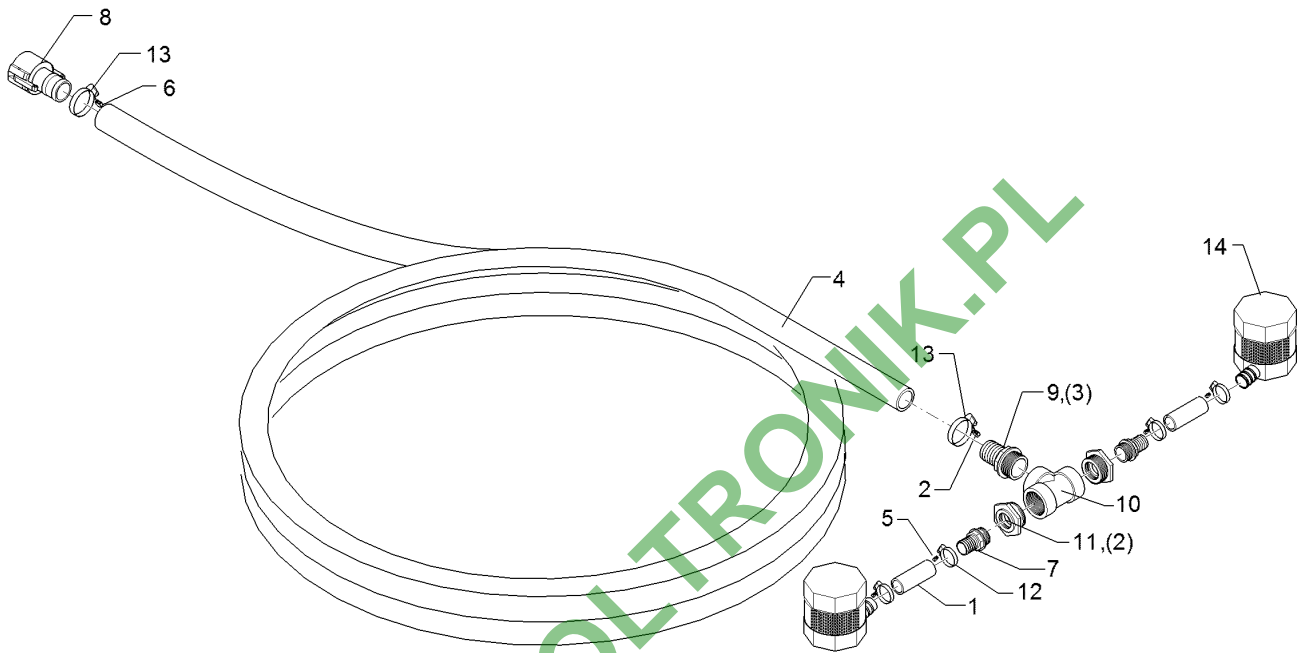
06.17

| Pos. | Art.Nr. | Stck. | Artikeltext / Description | | Abmessung |
|------|----------|-------|---------------------------|------------------|-----------------|
| 1 | F61 2139 | 1 | O-Ring | O-ring | 126,37x6,99 |
| 2 | F61 2140 | 2 | O-Ring | O-ring | 101,27x2,62 |
| 3 | 37810017 | 1 | Gehäuse | Housing | G2ZLA |
| 4 | 37810020 | 1 | Überwurfmutter | Union nut | - |
| 5 | 37810022 | 1 | Filtersieb | Filter cartridge | 50 Mesh |
| 6 | 37810669 | 1 | Mutter | Nut | G1/2 ZLI |
| 7 | 37810492 | 1 | Adapter | Adapter | G3/4ZLA G1/2ZLA |
| 8 | F61 0941 | 1 | Verschlussmutter | Cap nut | G3/4 ZL SYN |
| 9 | F61 1906 | 1 | Dichtung | Seal | 33,0x2x21 |
| 10 | F61 3919 | 1 | Dichtung | Seal | 24,5 a. |
| 11 | 47810109 | 1 | Filtergehäuse | Filter housing | D145x145 1xD22 |



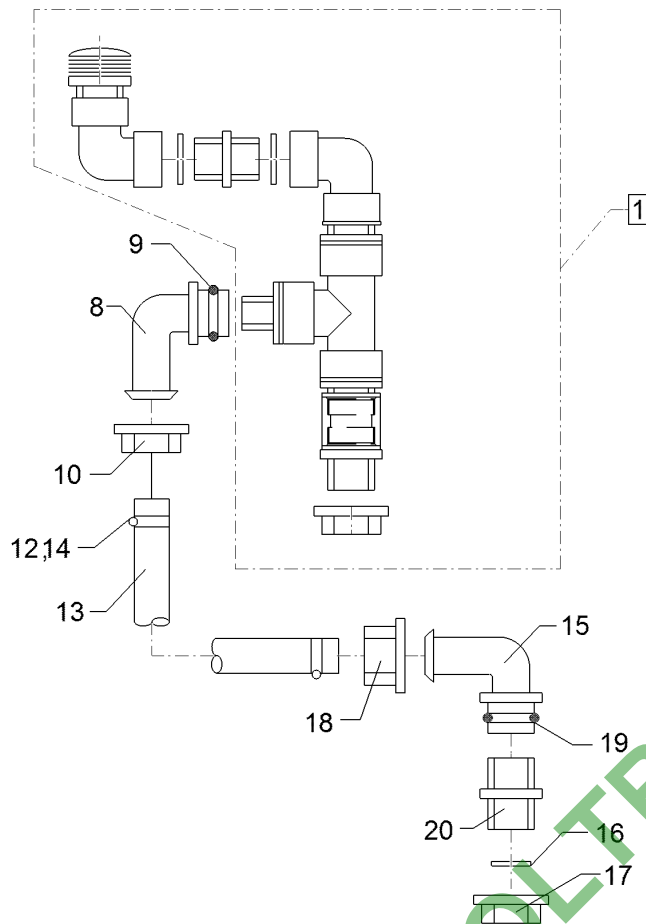
06.17

| Pos. | Art.Nr. | Stck. | Artikeltext / Description | Abmessung | |
|------|----------|-------|---------------------------|-----------------|-------------------|
| 1 | 37810580 | 1 | Überwurfmutter | Union nut | G1-1/4 ZL |
| 2 | 37810412 | 1 | Adapter | Adapter | G1 ZLI G1 1/4 ZLA |
| 3 | F11 1131 | 1 | Rührwerksrohr | Agigator tube | - |
| 4 | 37810567 | 1 | Verschlusskappe | Cover | G1 ZLI |
| 5 | F61 0853 | 1 | Schlauchanschluss | Hose connection | G1-1/4ZLÜ 90GRD |
| 6 | 37810281 | 1 | O-Ring | O-ring | D32 26,7x2,6 |



06.17

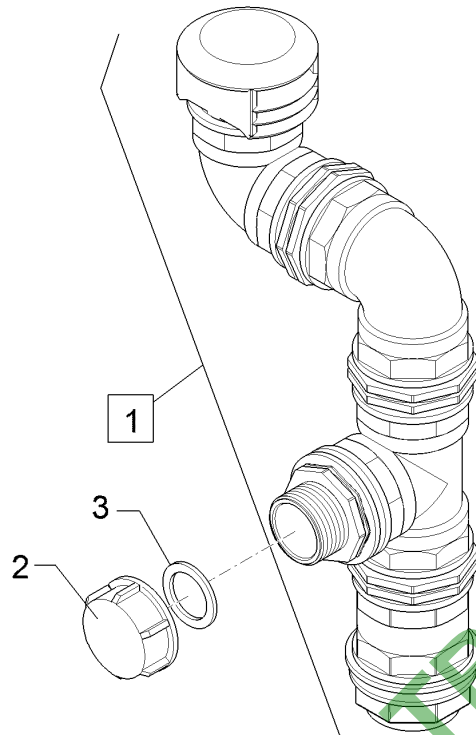
| Pos. | Art.Nr. | Stck. | Artikeltext / Description | Abmessung | |
|------|----------|-------|---------------------------|------------------|-------------------|
| 1 | F01 3301 | 2 | Schlauch | Hose | di50x5,7x120 |
| 2 | F01 4614 | 2 | Reduzierstück | Reducing fitting | G2 ZL i./G3 ZL a. |
| 3 | F01 4615 | 1 | Schlauchzapfen | Hose adapter | G3 ZL a./70 mm |
| 4 | F01 4406 | 1 | Füllschlauch | Filling hose | 75i.x6,7x8000 |
| 5 | F55 0250 | 2 | Schutzkappe | Cap | bl 9mm |
| 6 | F55 0251 | 2 | Schutzkappe | Cap | 12 mm bl |
| 7 | 37810353 | 2 | Schlauchanschluss | Hose connection | G2ZLA D50 |
| 8 | F61 1156 | 1 | Kupplung | Coupling | 3ZLI D75 |
| 9 | F61 1215 | 1 | Schlauchzapfen | Hose adapter | G3 ZLA D75 |
| 10 | F61 1473 | 1 | T-Stück | T-piece | 3XG3ZLI |
| 11 | F61 1474 | 2 | Reduzierstück | Reducing fitting | G2 ZLI G3 ZLA |
| 12 | F61 2404 | 4 | Schlauchschelle | Hose clip | D40-D60x12 |
| 13 | F61 2420 | 2 | Schlauchschelle | Hose clip | - |
| 14 | F61 2497 | 2 | Schwimmfilter | Floating filter | D50 |



06.17

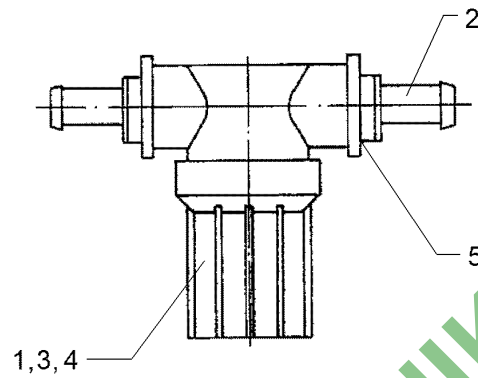
| Pos. | Art.Nr. | Stck. | Artikeltext / Description | Abmessung | |
|------|----------|-------|---------------------------|-------------------|------------------------|
| 1 | F13 0001 | 1 | Belüftungsventil | Ventilation valve | G2 ZL ET |
| 8 | F61 0854 | 1 | Schlauchanschluss | Hose connection | G1-1/2ZLÜ 90GRD D25 |
| 9 | 37810283 | 1 | O-Ring | O-ring | 29,2x3 |
| 10 | 37810581 | 1 | Überwurfmutter | Union nut | G1-1/2 ZL |
| 12 | F55 0250 | 2 | Schutzkappe | Cap | bl 9mm |
| 13 | F01 3353 | 1 | Verbindungsschlauch | Connecting hose | 25i.x3,5x1100 |
| 14 | F61 2400 | 2 | Schlauchschelle | Hose clip | D20-D32x9 |
| 15 | F61 0851 | 1 | Schlauchanschluss | Hose connection | G1-1/4ZLÜ 90GRD D25 |
| 16 | F61 1909 | 1 | Dichtung | Seal | 40x60x4 |
| 17 | 37810672 | 1 | Mutter | Nut | G1-1/4ZLI |
| 18 | 37810580 | 1 | Überwurfmutter | Union nut | G1-1/4 ZL |
| 19 | 37810281 | 1 | O-Ring | O-ring | 26,7x2,6 |
| 20 | 37810484 | 1 | Adapter | Adapter | G1-1/4ZLA G1-1/4ZLA |

| | |
|------------------------------------|----------|
| Belüftungsventil/Ventilation valve | 8 |
| EuroTrain 2600 TC / 3500 TC | F02 1593 |



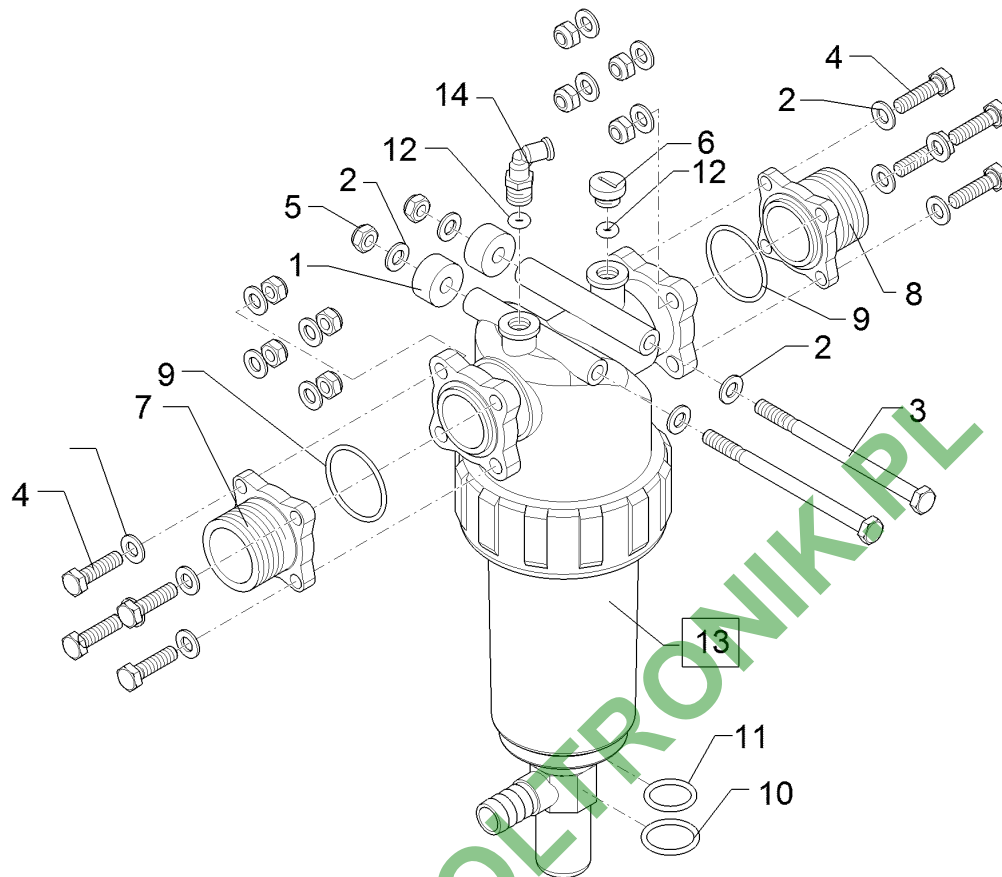
06.17

| Pos. | Art.Nr. | Stck. | Artikeltext / Description | Abmessung | |
|------|----------|-------|---------------------------|-------------------|------------|
| 1 | F13 0001 | 1 | Belüftungsventil | Ventilation valve | G2 ZL ET |
| 2 | 37810569 | 1 | Verschlusskappe | Cover | G1-1/2 ZLI |
| 3 | F61 1908 | 1 | Dichtung | Seal | 45x3x33 |



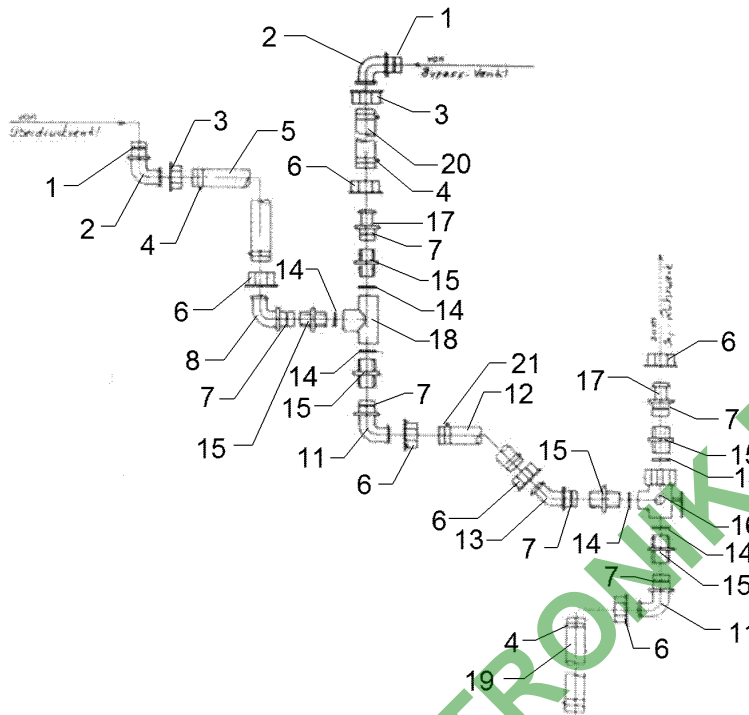
06.17

| Pos. | Art.Nr. | Stck. | Artikeltext / Description | Abmessung | |
|------|----------|-------|---------------------------|-----------------|----------------|
| 1 | F61 2644 | 1 | Leitungsfiter | Filter | G1/2 ZL |
| 2 | 37810332 | 2 | Schlauchanschluss | Hose connection | G1/2ZLA D16 |
| 3 | F55 0203 | 2 | Clip | Clip | 24 mm |
| 4 | 30110602 | 2 | Zylinderschraube | Allen screw | M6x30 DIN84 A2 |
| 5 | F61 1972 | 2 | O-Ring | O-ring | 20x3 |



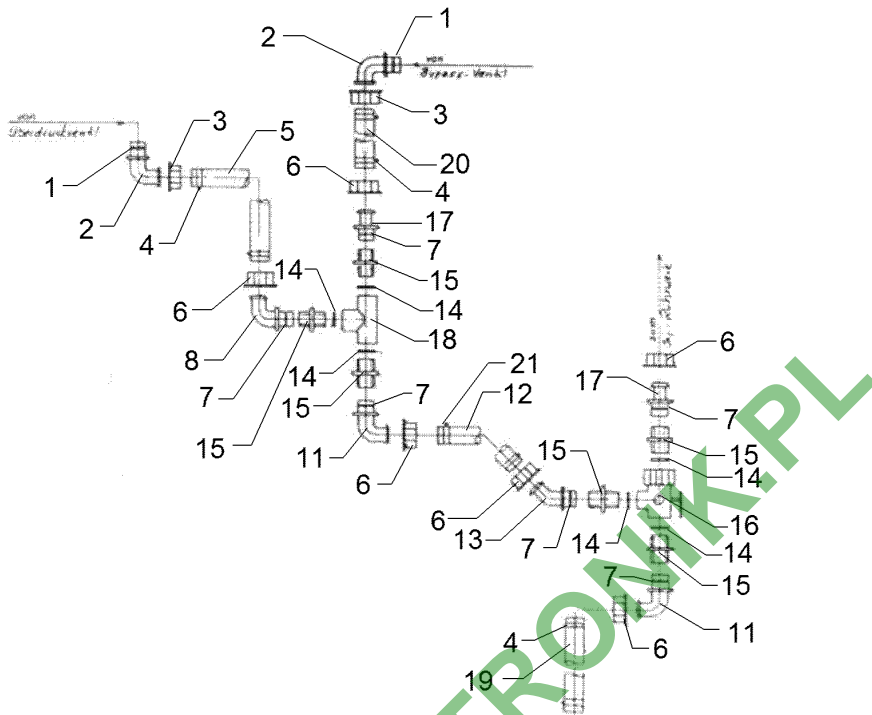
06.17

| Pos. | Art.Nr. | Stck. | Artikeltext / Description | Abmessung | |
|------|----------|-------|---------------------------|-----------------|--------------------|
| 1 | F01 0875 | 2 | Hülse | Bushing | 25x9x13 |
| 2 | 305 8695 | 20 | Scheibe | Washer | A8,4 DIN125 A2 |
| 3 | 30110137 | 2 | Sechskantschraube | Hexagon bolt | M8x120-A2 DIN931 |
| 4 | 301 7523 | 8 | Sechskantschraube | Hexagon bolt | M8x30-A2 DIN933 |
| 5 | 30310043 | 10 | Sicherungsmutter | Selflocking nut | NM8 DIN985-A4 |
| 6 | F61 1101 | 1 | Verschlusschraube | Plug | G1/4 ZL SYN rd |
| 7 | F61 1163 | 1 | Flansch | Flange | G1-1/4ZLA |
| 8 | F61 1164 | 1 | Flansch | Flange | G11/4ZLA. |
| 9 | 37810275 | 2 | O-Ring | O-ring | 39,3x2,6 |
| 10 | F61 1932 | 1 | O-Ring | O-ring | 25x3 |
| 11 | F61 1941 | 1 | O-Ring | O-ring | 22x3 |
| 12 | F61 1954 | 2 | O-Ring | O-ring | 4x4 061-050056-000 |
| 13 | F61 2580 | 1 | Druckfilter | Press filter | Flange, 50 mesh bl |
| 14 | F62 0169 | 1 | Winkelsteckverbindung | 4 mm | G1/4 ZL |



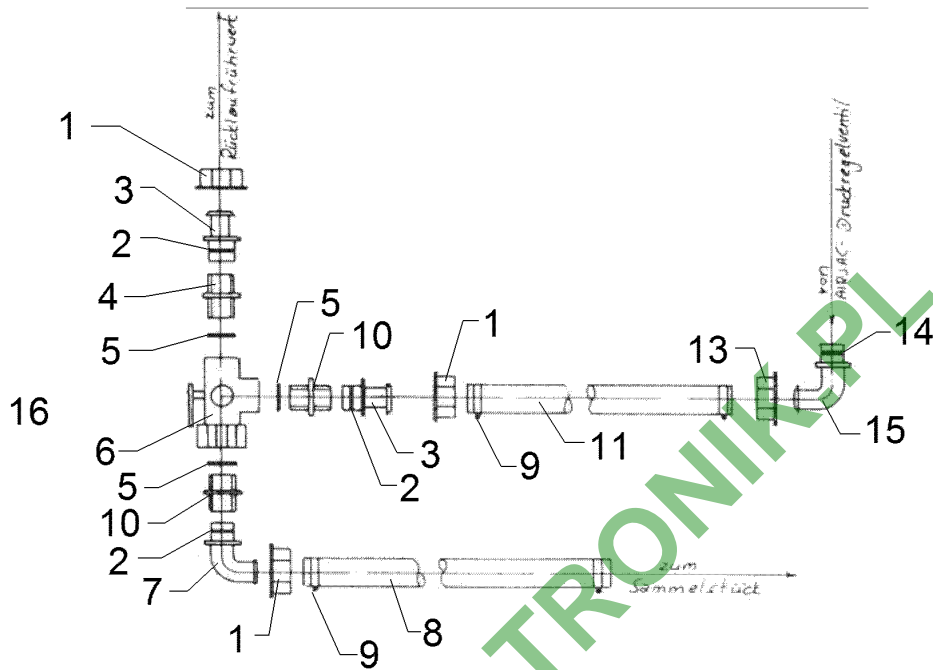
06.17

| Pos. | Art.Nr. | Stck. | Artikeltext / Description | Abmessung | |
|------|----------|-------|---------------------------|-----------------|------------------------|
| 1 | F61 1972 | 2 | O-Ring | O-ring | 20x3 |
| 2 | F61 0850 | 2 | Schlauchanschluss | Hose connection | G1ZLÜ 90GRD D25 |
| 3 | 37810579 | 2 | Überwurfmutter | Union nut | G1 ZL |
| 4 | F61 2402 | 6 | Schlauchschelle | Hose clip | D25-D40x9 |
| 5 | F01 4533 | 1 | Schlauch | Hose | 32i.x4,2x150 |
| 6 | 37810580 | 6 | Überwurfmutter | Union nut | G1-1/4 ZL |
| 7 | 37810281 | 6 | O-Ring | O-ring | 26,7x2,6 |
| 8 | F61 0851 | 1 | Schlauchanschluss | Hose connection | G1-1/4ZLÜ 90GRD D25 |
| 11 | F61 0853 | 2 | Schlauchanschluss | Hose connection | G1-1/4ZLÜ 90GRD D32 |
| 12 | F01 2677 | 1 | Schlauch | Hose | 32i.x6,25x70 |
| 13 | F61 0861 | 1 | Schlauchanschluss | Hose connection | G1-1/4ZLÜ 45GRD D30 |
| 14 | F61 1974 | 6 | O-Ring | O-ring | 37,47x5,35 |
| 15 | 37810476 | 6 | Adapter | Adapter | G1-1/4ZLA G1-1/4ZLA |
| 16 | F61 0144 | 1 | Kugelventil | Ball valve | 3/3 G1-1/4ZLI |
| 17 | F61 0830 | 2 | Schlauchanschluss | Hose connection | G1-1/4ZLÜ 0GRD D25 |
| 18 | F61 0995 | 1 | T-Stück | T-piece | G1-1/4ZLI |
| 19 | F01 4565 | 1 | Schlauch | Hose | 25i.x7x180 |
| 20 | F01 2678 | 1 | Schlauch | Hose | 25i.x7x170 |
| 21 | F61 4261 | 4 | Schlauchschelle | Hose clip | D30-D45x9 W4 |
| 22 | F50 0137 | 1 | Beschriftungsplatte | Plate | - |



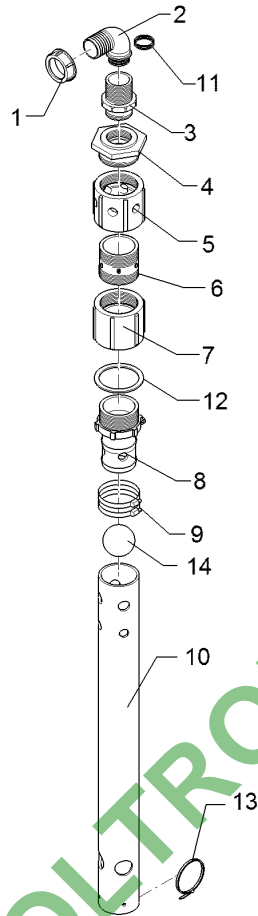
06.17

| Pos. | Art.Nr. | Stck. | Artikeltext / Description | Abmessung |
|------|----------|-------|---------------------------|---------------|
| 23 | F55 0250 | 10 | Schutzkappe | Cap bl 9mm |



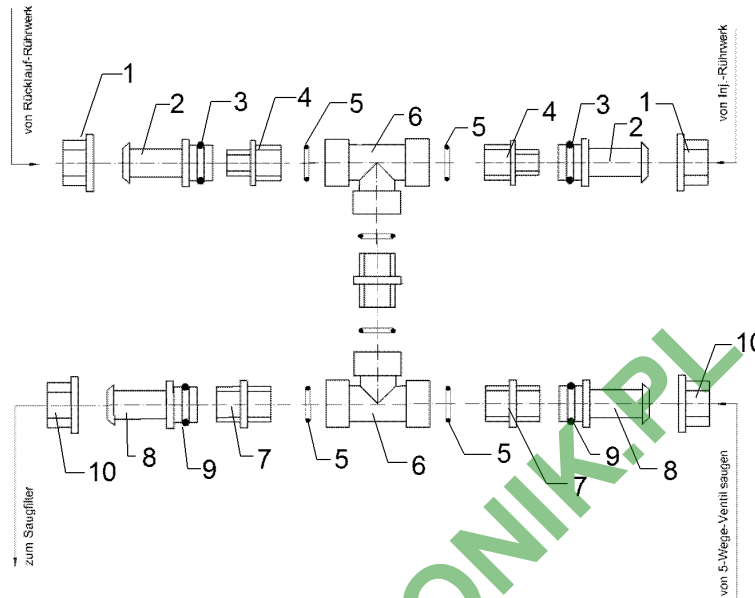
06.17

| Pos. | Art.Nr. | Stck. | Artikeltext / Description | Abmessung | |
|------|----------|-------|---------------------------|-----------------|------------------------|
| 1 | 37810580 | 3 | Überwurfmutter | Union nut | G1-1/4 ZL |
| 2 | 37810281 | 3 | O-Ring | O-ring | 26,7x2,6 |
| 3 | F61 0832 | 2 | Schlauchanschluss | Hose connection | G1-1/4ZLÜ 0GRD D32 |
| 4 | 37810476 | 3 | Adapter | Adapter | G1-1/4ZLA G1-1/4ZLA |
| 5 | F61 1974 | 3 | O-Ring | O-ring | 37,47x5,35 |
| 6 | F61 0144 | 1 | Kugelventil | Ball valve | 3/3 G1-1/4ZLI |
| 7 | F61 0853 | 1 | Schlauchanschluss | Hose connection | G1-1/4ZLÜ 90GRD D32 |
| 8 | F01 4533 | 1 | Schlauch | Hose | 32i.x4,2x150 |
| 9 | F61 2402 | 4 | Schlauchschelle | Hose clip | D25-D40x9 |
| 11 | F01 1758 | 1 | Schlauch | Hose | di32x4,2x550 |
| 13 | 37810581 | 1 | Überwurfmutter | Union nut | G1-1/2 ZL |
| 14 | 37810283 | 1 | O-Ring | O-ring | 29,2x3 |
| 15 | F61 0855 | 1 | Schlauchanschluss | Hose connection | G1-1/2ZLÜ 90GRD D32 |
| 16 | F50 0136 | 1 | Beschriftungsplatte | Plate | - |
| 17 | F55 0250 | 4 | Schutzkappe | Cap | bl 9mm |



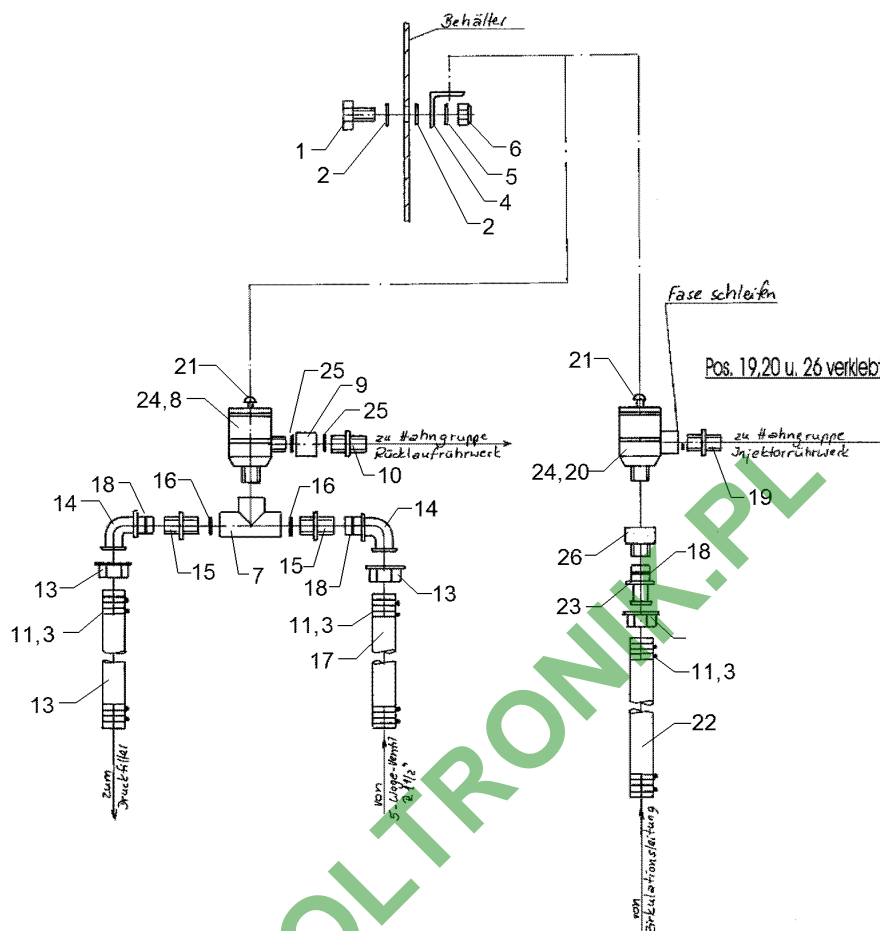
06.17

| Pos. | Art.Nr. | Stck. | Artikeltext / Description | Abmessung | |
|------|----------|-------|---------------------------|------------------|-----------------|
| 1 | 37810582 | 1 | Überwurfmutter | Union nut | G2 ZL |
| 2 | F61 0860 | 1 | Schlauchanschluss | Hose connection | G2ZLÜ 90GRD D50 |
| 3 | 37810486 | 1 | Adapter | Adapter | G2ZLA G2ZLA |
| 4 | F61 1474 | 1 | Reduzierstück | Reducing fitting | G2 ZLI G3 ZLA |
| 5 | F01 3379 | 1 | Muffe | Sleeve | G3Z 6xD22 |
| 6 | F61 1475 | 1 | Doppelnippel | Double nipple | G3 ZL |
| 7 | F61 1167 | 1 | Muffe | Sleeve | G3ZLI |
| 8 | F01 4090 | 1 | Schlauchzapfen | Hose adapter | di68x75 4xD11 |
| 9 | F61 4146 | 2 | Schlauchschelle | Hose clip | D80-D100x12 |
| 10 | F01 4089 | 1 | Auslaufschlauch | Hose | - |
| 11 | 37810275 | 2 | O-Ring | O-ring | 39,3x2,6 |
| 12 | F61 2351 | 1 | Dichtung | Seal | 90x110x4 |
| 13 | F55 0197 | 2 | Kabelbinder | Cable clip | 7,8x360 |
| 14 | F61 2494 | 1 | Tennisball | Tennis ball | - |



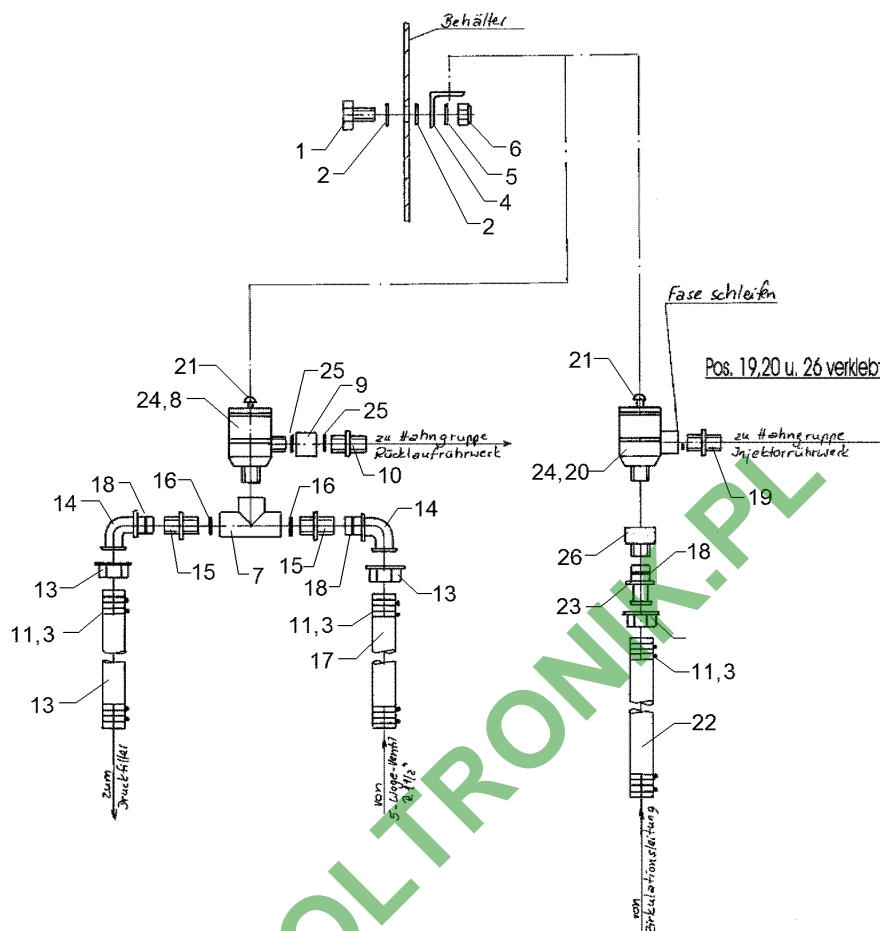
06.17

| Pos. | Art.Nr. | Stck. | Artikeltext / Description | Abmessung | |
|------|----------|-------|---------------------------|-----------------|-----------------------|
| 1 | 37810581 | 2 | Überwurfmutter | Union nut | G1-1/2 ZL |
| 2 | F61 0833 | 2 | Schlauchanschluss | Hose connection | G1-1/2ZLÜ 0GRD D32 |
| 3 | 37810283 | 2 | O-Ring | O-ring | 29,2x3 |
| 4 | 37810499 | 2 | Adapter | Adapter | G2ZLA G1-1/2ZLA |
| 5 | F61 2039 | 6 | O-Ring | O-ring | 55x5 |
| 6 | F61 1476 | 2 | T-Stück | T-piece | G2ZLI |
| 7 | 37810478 | 3 | Adapter | Adapter | G2ZLA G2ZLA |
| 8 | F61 0837 | 2 | Schlauchanschluss | Hose connection | G2ZLÜ 0GRD D50 |
| 9 | 37810275 | 4 | O-Ring | O-ring | 39,3x2,6 |
| 10 | 37810582 | 2 | Überwurfmutter | Union nut | G2 ZL |



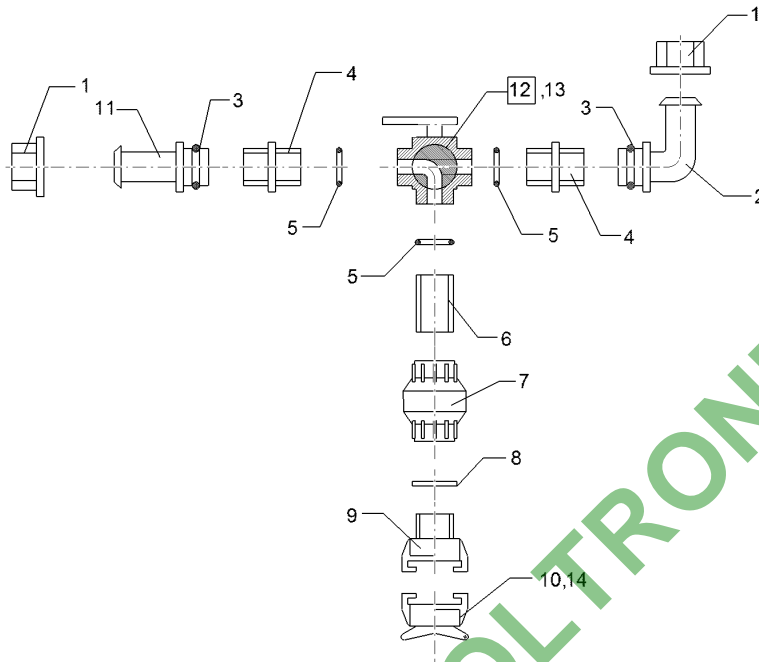
06.17

| Pos. | Art.Nr. | Stck. | Artikeltext / Description | Abmessung | |
|------|----------|-------|-----------------------------|-----------------|------------------------|
| 1 | 301 7530 | 2 | Sechskantschraube | Hexagon bolt | M12x35-A2 DIN933 |
| 2 | F61 1967 | 4 | Dichtring | Seal ring | M10 |
| 3 | F55 0250 | 12 | Schutzkappe | Cap | bl 9mm |
| 4 | F01 2672 | 1 | Ventilhalter | Holder | ET |
| 5 | 305 8704 | 2 | Scheibe | Washer | A10,5 DIN125-St A2 |
| 6 | 30310029 | 2 | Sicherungsmutter | Selflocking nut | NM10 A4 DIN985 |
| 7 | F61 0995 | 1 | T-Stück | T-piece | G1-1/4ZLI |
| 8 | F01 2673 | 1 | Regelventil | Control valve | ET |
| 9 | 37810440 | 1 | Muffe | Sleeve | G1 1/2 ZLI |
| 10 | 37810477 | 1 | Adapter | Adapter | G1-1/2ZLA G1-1/2ZLA |
| 11 | F61 4261 | 12 | Schlauchschelle | Hose clip | D30-D45x9 W4 |
| 12 | F01 2675 | 1 | Schlauch | Hose | 32i.x6,25x260 |
| 13 | 37810580 | 3 | Überwurfmutter | Union nut | G1-1/4 ZL |
| 14 | F61 0853 | 2 | Schlauchanschluss | Hose connection | G1-1/4ZLÜ 90GRD D32 |
| 15 | 37810476 | 2 | Adapter | Adapter | G1-1/4ZLA G1-1/4ZLA |
| 16 | 37810274 | 2 | O-Ring | O-ring | 39,7x3,5 |
| 17 | F01 2674 | 1 | Schlauch | Hose | 32i.x6,25x530 |
| 18 | 37810281 | 3 | O-Ring | O-ring | 26,7x2,6 |
| 19 | 37810475 | 1 | Adapter | Adapter | G1ZLA G1ZLA |
| 20 | F61 0763 | 1 | Schaltventil | On-Off valve | - |
| 21 | F62 0220 | 2 | Winkel-Einschraub-Verbinder | Screwed socket | - |
| 22 | F01 4762 | 1 | Schlauch | Hose | 32i.x6,25x6000 |



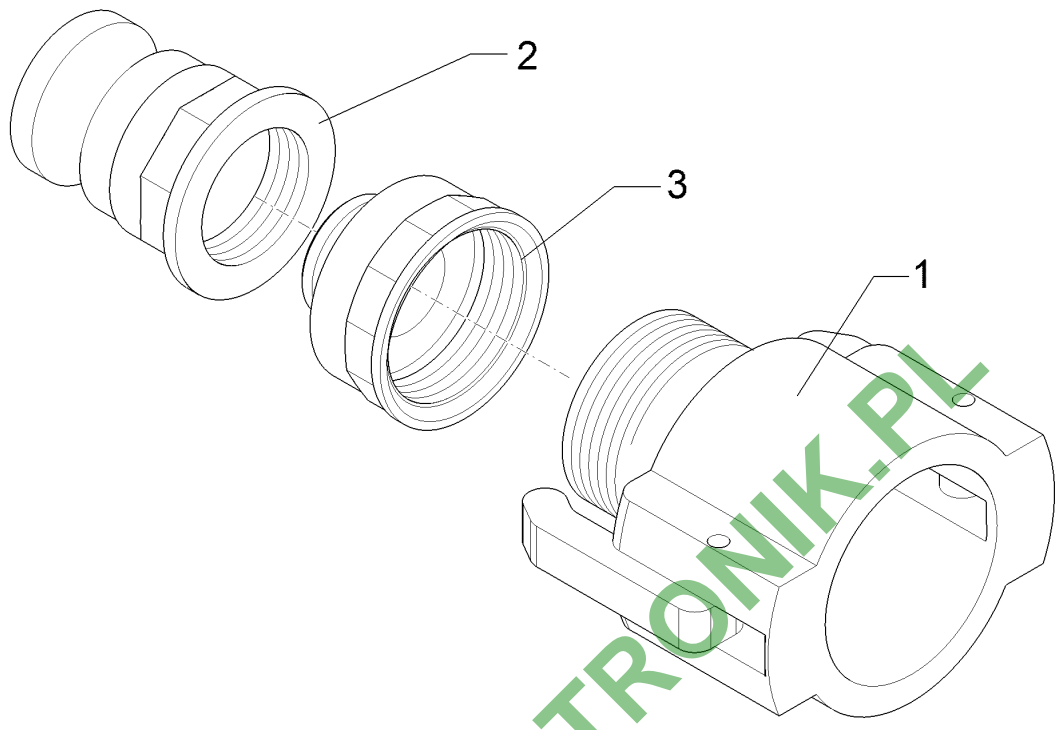
06.17

| Pos. | Art.Nr. | Stck. | Artikeltext / Description | Abmessung | |
|------|----------|-------|---------------------------|-----------------|--------------------------|
| 23 | F61 0830 | 1 | Schlauchanschluss | Hose connection | G1-1/4ZLÜ 0GRD D25 |
| 24 | 30110205 | 4 | Zylinderschraube | Allen screw | M6x60-A4 DIN912 |
| 25 | F61 1975 | 2 | O-Ring | O-ring | 42x4 |
| 26 | 37810420 | 1 | Adapter | Adapter | G1 1/4 ZLI G1 1/4 ZLA |



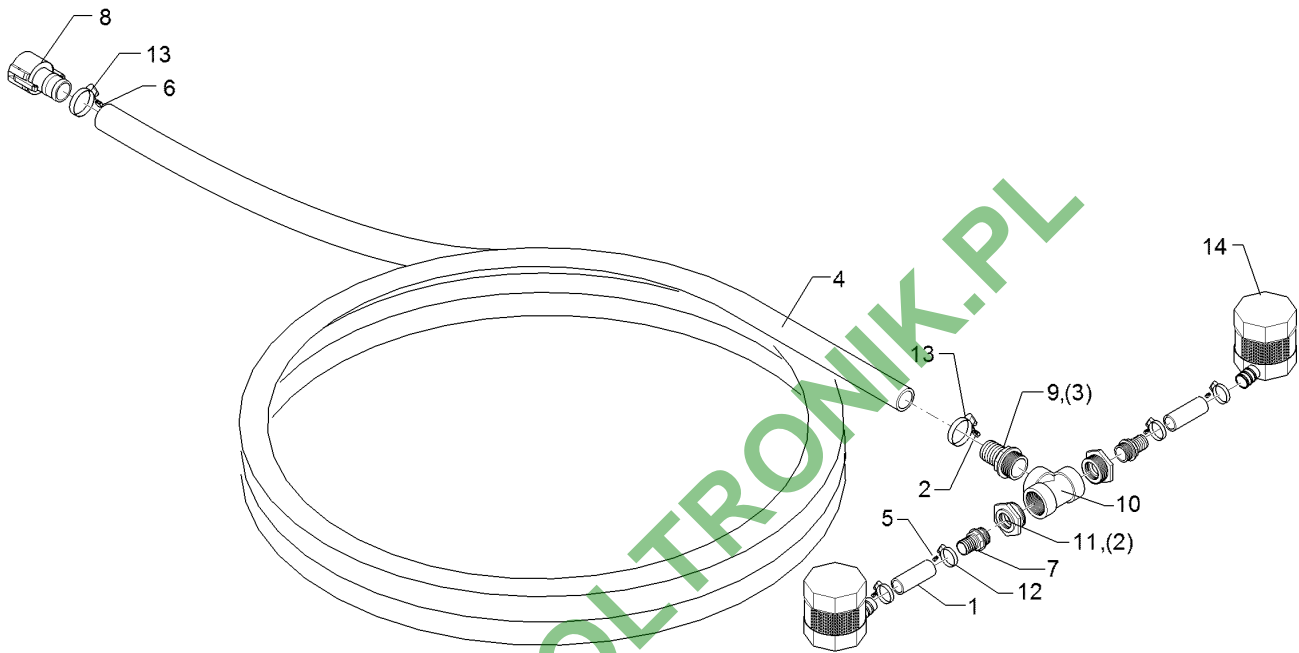
06.17

| Pos. | Art.Nr. | Stck. | Artikeltext / Description | Abmessung | |
|------|----------|-------|---------------------------|-----------------|------------------------|
| 1 | 37810580 | 2 | Überwurfmutter | Union nut | G1-1/4 ZL |
| 2 | F61 0851 | 1 | Schlauchanschluss | Hose connection | G1-1/4ZLÜ 90GRD D25 |
| 3 | 37810281 | 2 | O-Ring | O-ring | 26,7x2,6 |
| 4 | 37810476 | 2 | Adapter | Adapter | G1-1/4ZLA G1-1/4ZLA |
| 5 | F61 1974 | 3 | O-Ring | O-ring | 37,47x5,35 |
| 6 | 37810506 | 1 | Adapter | Adapter | G1-1/4ZLA G1-1/4ZLA |
| 8 | F61 1907 | 1 | Dichtung | Seal | 39,5x2,5x27,5 |
| 9 | F61 0166 | 1 | Rückschlagventil | Nonreturn valve | G1-1/4ZLI G1-1/4ZLI |
| 10 | F61 0991 | 1 | Blindkupplung | Dummy coupling | - |
| 11 | F61 0830 | 1 | Schlauchanschluss | Hose connection | G1-1/4ZLÜ 0GRD D25 |
| 12 | F61 0144 | 1 | Kugelventil | Ball valve | 3/3 G1-1/4ZLI |
| 13 | F50 0150 | 1 | Beschriftungsplatte | Plate | - |
| 14 | F25 0814 | 0 | Rundschnur | Round cord | 1,0x50000 |



06.17

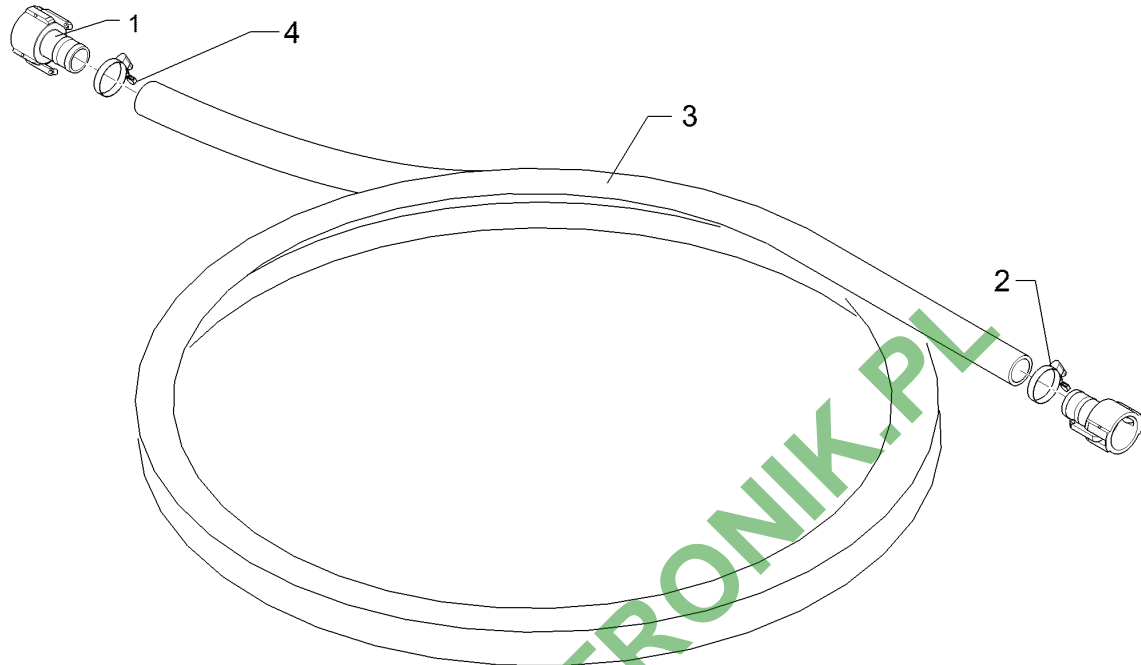
| Pos. | Art.Nr. | Stck. | Artikeltext / Description | Abmessung |
|------|----------|-------|---------------------------|--------------------|
| 1 | F61 3954 | 1 | Kupplung | 3-0/0ZLI G3-0/0ZLA |
| 2 | F61 3956 | 1 | Kupplung | 2ZLA G2ZLI |
| 3 | 37810434 | 1 | Adapter | G3 ZLI G2 ZLA |



06.17

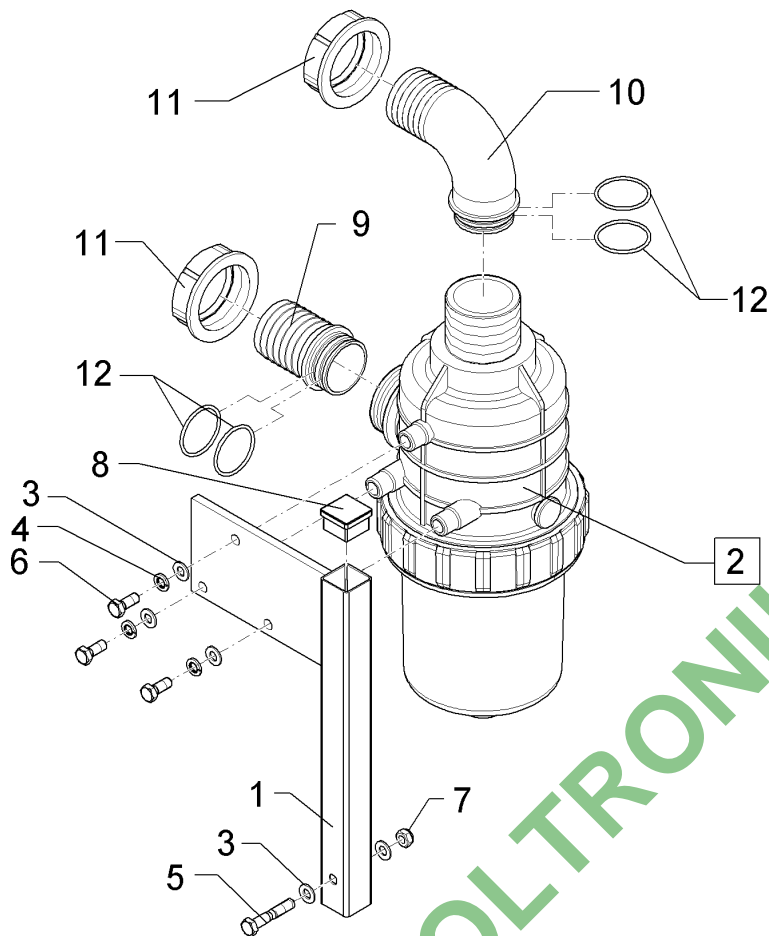
| Pos. | Art.Nr. | Stck. | Artikeltext / Description | Abmessung | |
|------|----------|-------|---------------------------|------------------|-------------------|
| 1 | F01 3301 | 2 | Schlauch | Hose | di50x5,7x120 |
| 2 | F01 4614 | 2 | Reduzierstück | Reducing fitting | G2 ZL i./G3 ZL a. |
| 3 | F01 4615 | 1 | Schlauchzapfen | Hose adapter | G3 ZL a./70 mm |
| 4 | F01 4759 | 1 | Füllschlauch | Filling hose | 75i.x6,7x5000 |
| 5 | F55 0250 | 2 | Schutzkappe | Cap | bl 9mm |
| 6 | F55 0251 | 4 | Schutzkappe | Cap | 12 mm bl |
| 7 | 37810353 | 2 | Schlauchanschluss | Hose connection | G2ZLA D50 |
| 8 | F61 1156 | 1 | Kupplung | Coupling | 3ZLI D75 |
| 9 | F61 1215 | 1 | Schlauchzapfen | Hose adapter | G3 ZLA D75 |
| 10 | F61 1473 | 1 | T-Stück | T-piece | 3XG3ZLI |
| 11 | F61 1474 | 2 | Reduzierstück | Reducing fitting | G2 ZLI G3 ZLA |
| 12 | F61 2404 | 4 | Schlauchschelle | Hose clip | D40-D60x12 |
| 13 | F61 2420 | 2 | Schlauchschelle | Hose clip | - |
| 14 | F61 2497 | 2 | Schwimmfilter | Floating filter | D50 |

| | |
|-----------------------------|----------|
| Füllschlauch/Filling hose | 8 |
| EuroTrain 2600 TC / 3500 TC | F02 4727 |



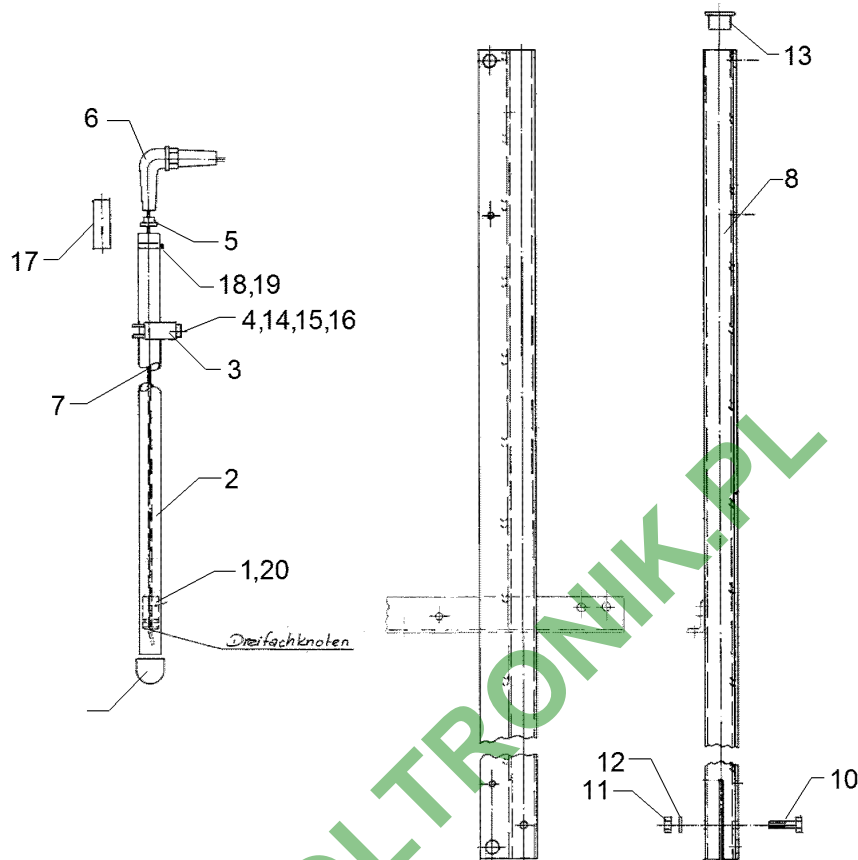
06.17

| Pos. | Art.Nr. | Stck. | Artikeltext / Description | Abmessung |
|------|----------|-------|---------------------------|---------------|
| 1 | F61 1156 | 2 | Kupplung | 3ZLI D75 |
| 2 | F61 2420 | 2 | Schlauchschelle | - |
| 3 | F01 4759 | 1 | Füllschlauch | 75i.x6,7x5000 |
| 4 | F55 0250 | 2 | Schutzkappe | bl 9mm |



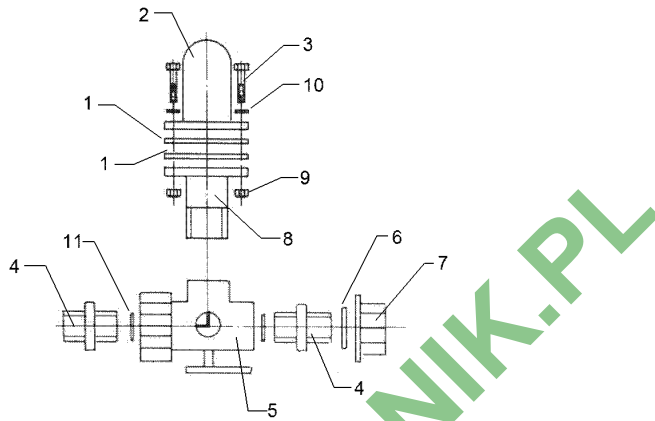
06.17

| Pos. | Art.Nr. | Stck. | Artikeltext / Description | Abmessung | |
|------|----------|-------|---------------------------|-----------------|----------------------------|
| 1 | F02 0962 | 1 | Halter | Holder | 315x185 |
| 2 | F02 1268 | 1 | Saugfilter | Suction filter | G2 ZLA Eurotrain 50mesh |
| 3 | 305 8695 | 5 | Scheibe | Washer | A8,4 DIN125 A2 |
| 4 | 30510102 | 3 | Federring | Spring ring | 8 Form B-V2A DIN127 |
| 5 | 301 7514 | 1 | Sechskantschraube | Hexagon bolt | M8x45-A2 DIN931-A |
| 6 | 301 7518 | 3 | Sechskantschraube | Hexagon bolt | M8x25-A2 DIN933 |
| 7 | 30310043 | 1 | Sicherungsmutter | Selflocking nut | NM8 DIN985-A4 |
| 8 | F55 0139 | 1 | Stopfen | Plug | 30x30x1.5-2 |
| 9 | F61 0837 | 1 | Schlauchanschluss | Hose connection | G2ZLÜ 0GRD D50 |
| 10 | F61 0860 | 1 | Schlauchanschluss | Hose connection | G2ZLÜ 90GRD D50 |
| 11 | 37810582 | 2 | Überwurfmutter | Union nut | G2 ZL |
| 12 | 37810275 | 4 | O-Ring | O-ring | 39,3x2,6 |



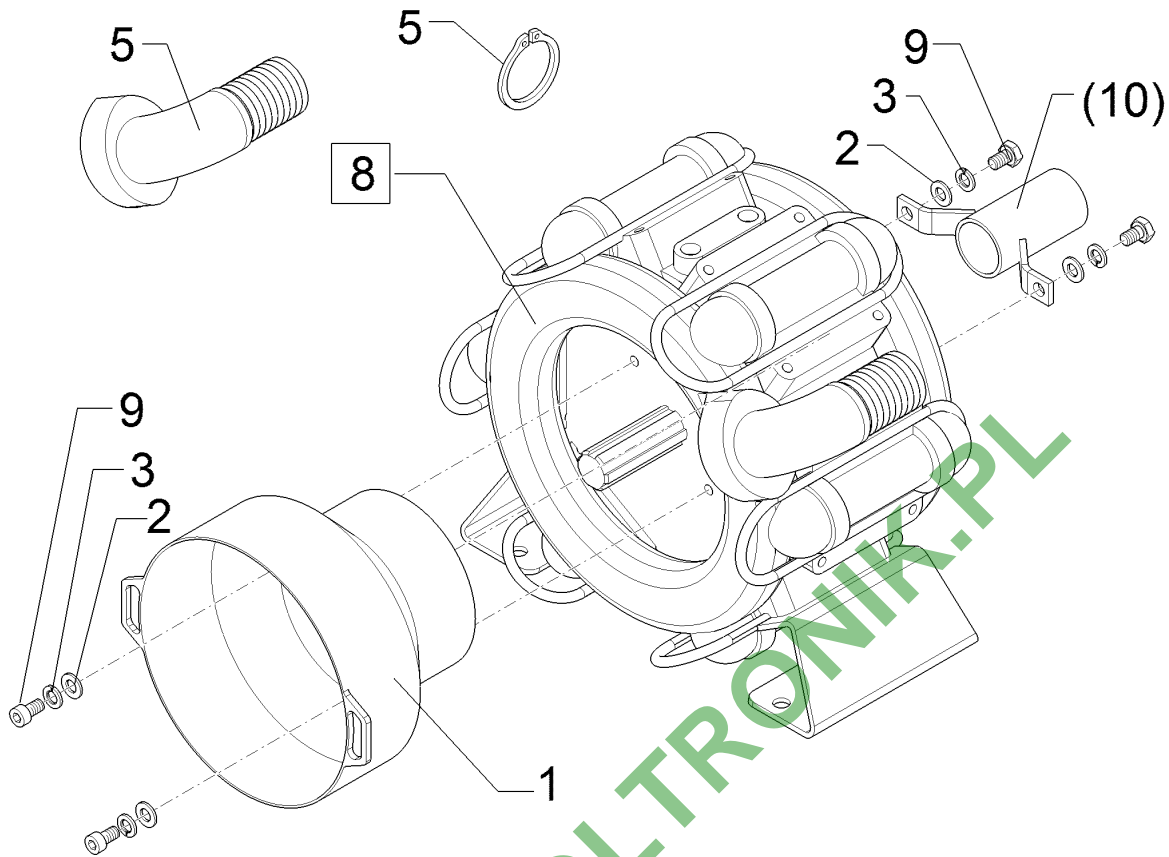
06.17

| Pos. | Art.Nr. | Stck. | Artikeltext / Description | Abmessung | |
|------|----------|-------|---------------------------|-----------------|-------------------------------|
| 1 | F01 0868 | 1 | Gewicht | Weight | - |
| 2 | F61 3247 | 1 | Rohr | Tube | Eurolux/Eurosuper 600-1200 |
| 3 | F55 0205 | 2 | Schelle | Clamp | C3 R17,5 schwarz |
| 4 | 30110244 | 2 | Zylinderschraube | Allen screw | M5x16-A2 DIN84 |
| 5 | F01 0936 | 1 | Stopfen | Plug | R. 15a.x1-2 bk |
| 6 | F61 0862 | 1 | Schlauchanschluss | Hose connection | G1/2ZLÜ W 90GRD D15 |
| 7 | F01 2141 | 1 | Seil | Rope | 2,0x3500 |
| 8 | F02 0600 | 1 | Halter | Holder | ECO/ET |
| 9 | F01 1735 | 1 | Kappe | Cap | - |
| 10 | 301 7533 | 1 | Sechskantschraube | Hexagon bolt | M8x55-A2 DIN931 |
| 11 | 30310043 | 1 | Sicherungsmutter | Selflocking nut | NM8 DIN985-A4 |
| 12 | 305 8695 | 2 | Scheibe | Washer | A8,4 DIN125 A2 |
| 13 | F55 0142 | 1 | Stopfen | Plug | V40x40x4 SYN bk |
| 14 | 30510076 | 2 | Scheibe | Washer | 5,3 DIN125 A2 |
| 15 | F55 0206 | 2 | Schlaufe | Loop | - |
| 16 | 30310041 | 2 | Sicherungsmutter | Selflocking nut | NM5 DIN985-A4 |
| 17 | F61 1883 | 1 | Schlauch | Hose | 13i.x4,0x35 |
| 18 | F61 2399 | 1 | Schlauchschelle | Hose clip | D16-D27x9 |
| 19 | F55 0250 | 1 | Schutzkappe | Cap | bl 9mm |
| 20 | F61 1939 | 1 | O-Ring | O-ring | 14x2,5 NB 0117 |
| 21 | F51 0126 | 1 | Volumenskala | direkt | ET 2600 |



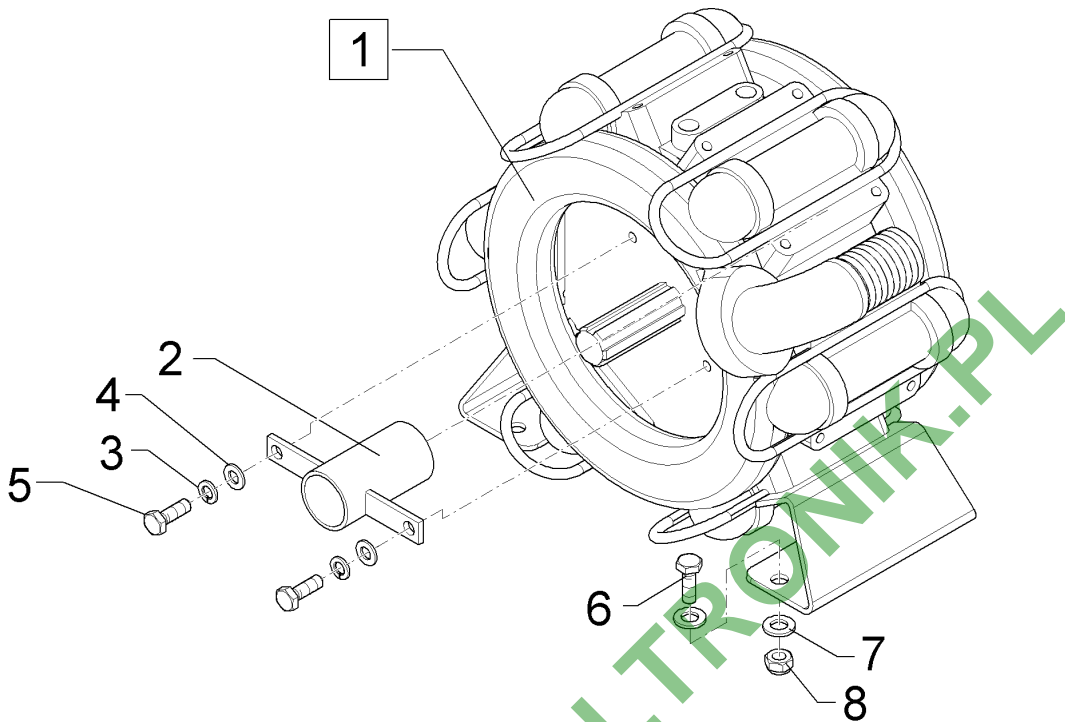
06.17

| Pos. | Art.Nr. | Stck. | Artikeltext / Description | Abmessung | |
|------|----------|-------|---------------------------|-----------------|--------------------------|
| 1 | F01 0420 | 2 | Dichtung | Seal | 4x76x76 D50 4xD8,5-56 |
| 2 | F03 0232 | 1 | Sauganschluss | Suction nipple | - |
| 3 | 301 7514 | 4 | Sechskantschraube | Hexagon bolt | M8x45-A2 DIN931-A |
| 4 | 37810478 | 2 | Adapter | Adapter | G2ZLA G2ZLA |
| 5 | 57810121 | 1 | Kugelventil | Ball valve | G2 ZL |
| 6 | F61 1909 | 1 | Dichtung | Seal | 40x60x4 |
| 7 | 37810570 | 1 | Verschlusskappe | Cover | G2 ZLI |
| 8 | F02 0758 | 1 | Saugstutzen | Air intake | ET |
| 9 | 30310023 | 4 | Sechskantmutter | Hexagon nut | M8 DIN934-A4 |
| 10 | F61 1966 | 4 | Dichtring | Seal ring | M8 |
| 11 | F61 2039 | 2 | O-Ring | O-ring | 55x5 |
| 12 | 305 8695 | 2 | Scheibe | Washer | A8,4 DIN125 A2 |
| 13 | 30510102 | 4 | Federring | Spring ring | 8 Form B-V2A DIN127 |
| 14 | 30310043 | 2 | Sicherungsmutter | Selflocking nut | NM8 DIN985-A4 |



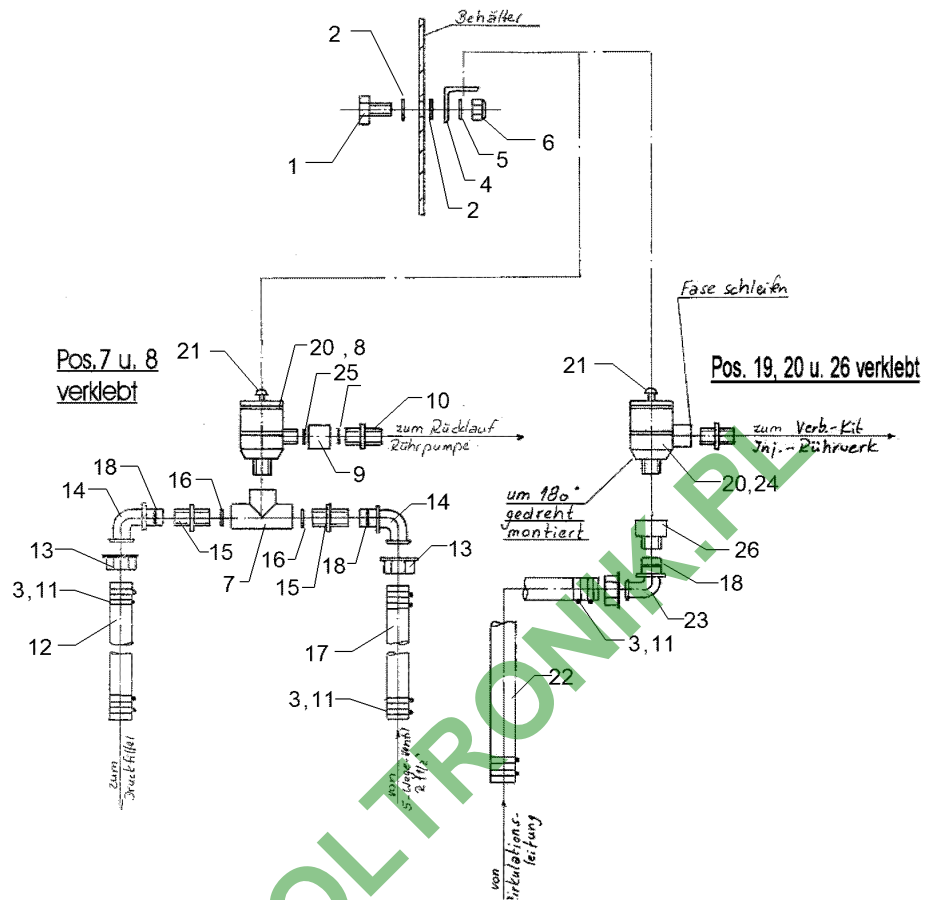
06.17

| Pos. | Art.Nr. | Stck. | Artikeltext / Description | Abmessung | |
|------|----------|-------|---------------------------|----------------------|--------------------|
| 1 | F61 4605 | 1 | Schutzhaube | Cover | - |
| 2 | 305 8704 | 4 | Scheibe | Washer | A10,5 DIN125-St A2 |
| 3 | 30510103 | 4 | Federring | Spring ring | 10-B DIN127 A2 |
| 4 | 30510192 | 1 | Sicherungsring | Retaining ring | 48x1,5 A2 DIN471 |
| 5 | F61 1359 | 1 | Saugbogenstück | Curved suction piece | - |
| 8 | F61 3905 | 1 | Pumpe | Pump | BP235K |
| 9 | 301 7535 | 2 | Sechskantschraube | Hexagon bolt | M10x25-A2 DIN933 |
| 10 | F02 0989 | 1 | Wellenschutz | BP235K/BP205 | BP280/BP235K |



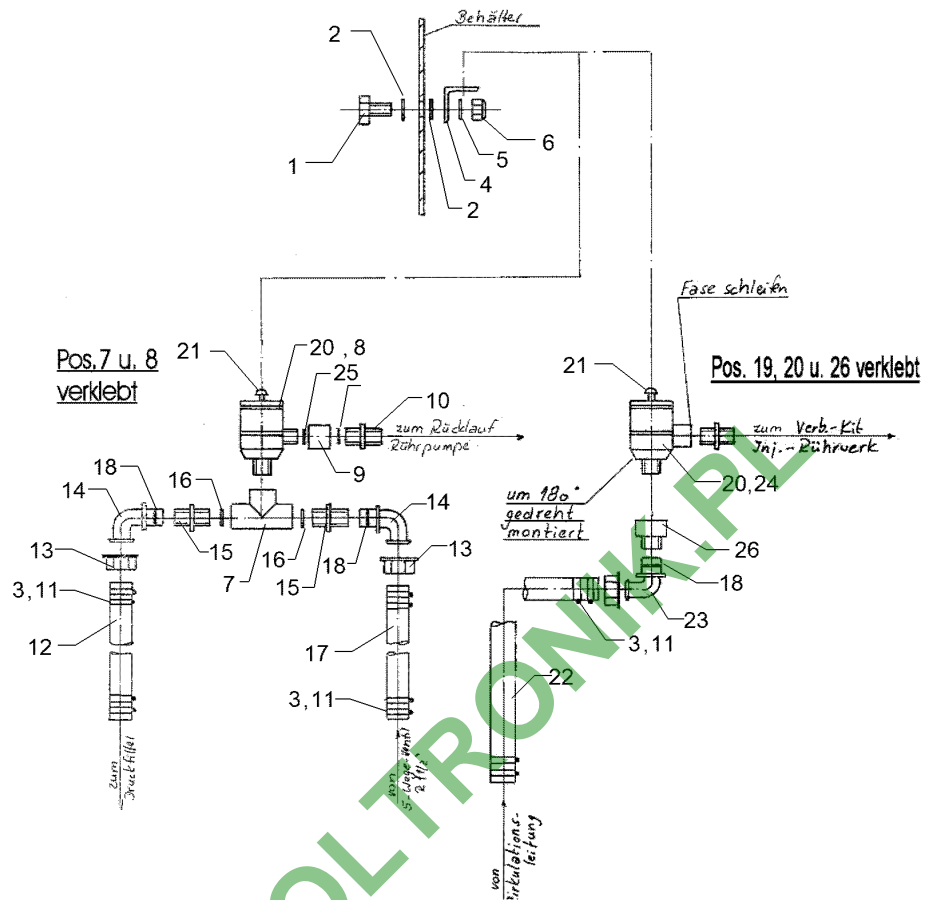
06.17

| Pos. | Art.Nr. | Stck. | Artikeltext / Description | Abmessung | |
|------|----------|-------|---------------------------|-----------------|--------------------|
| 1 | F61 3862 | 1 | Pumpe | Pump | BP280K |
| 2 | F61 4605 | 1 | Schutzhaube | Cover | - |
| 3 | 30510103 | 4 | Federring | Spring ring | 10-B DIN127 A2 |
| 4 | 305 8704 | 4 | Scheibe | Washer | A10,5 DIN125-St A2 |
| 5 | 301 7535 | 2 | Sechskantschraube | Hexagon bolt | M10x25-A2 DIN933 |
| 6 | 301 7529 | 4 | Sechskantschraube | Hexagon bolt | M12x30-A2 DIN933 |
| 7 | 305 8709 | 4 | Scheibe | Washer | 13 DIN125-A A2 |
| 8 | 30310030 | 4 | Sicherungsmutter | Selflocking nut | NM12 DIN985-A4 |



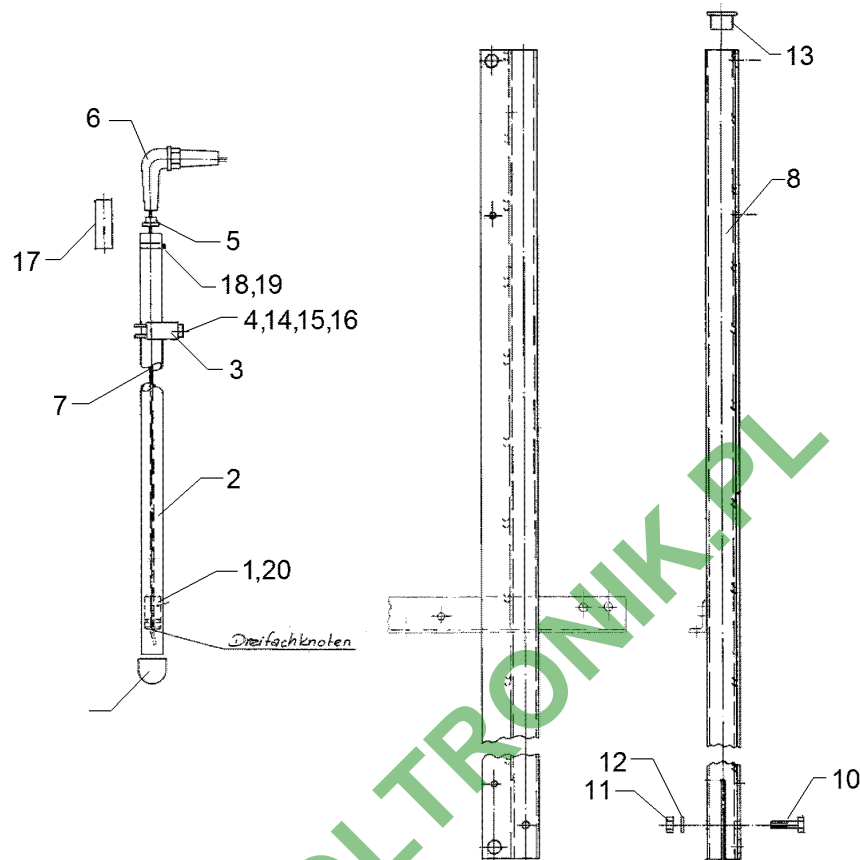
06.17

| Pos. | Art.Nr. | Stck. | Artikeltext / Description | Abmessung | |
|------|----------|-------|-----------------------------|-----------------|------------------------|
| 1 | 301 7530 | 2 | Sechskantschraube | Hexagon bolt | M12x35-A2 DIN933 |
| 2 | F61 1967 | 4 | Dichtring | Seal ring | M10 |
| 3 | F55 0250 | 12 | Schutzkappe | Cap | bl 9mm |
| 4 | F01 2672 | 1 | Ventilhalter | Holder | ET |
| 5 | 305 8704 | 2 | Scheibe | Washer | A10,5 DIN125-St A2 |
| 6 | 30310029 | 2 | Sicherungsmutter | Selflocking nut | NM10 A4 DIN985 |
| 7 | F61 0995 | 1 | T-Stück | T-piece | G1-1/4ZLI |
| 8 | F01 2673 | 1 | Regelventil | Control valve | ET |
| 9 | 37810440 | 1 | Muffe | Sleeve | G1 1/2 ZLI |
| 10 | 37810477 | 1 | Adapter | Adapter | G1-1/2ZLA G1-1/2ZLA |
| 11 | F61 4261 | 12 | Schlauchschelle | Hose clip | D30-D45x9 W4 |
| 12 | F01 2675 | 1 | Schlauch | Hose | 32i.x6,25x260 |
| 13 | 37810580 | 3 | Überwurfmutter | Union nut | G1-1/4 ZL |
| 14 | F61 0853 | 2 | Schlauchanschluss | Hose connection | G1-1/4ZLÜ 90GRD D32 |
| 15 | 37810476 | 2 | Adapter | Adapter | G1-1/4ZLA G1-1/4ZLA |
| 16 | F61 1974 | 2 | O-Ring | O-ring | 37,47x5,35 |
| 17 | F01 2674 | 1 | Schlauch | Hose | 32i.x6,25x530 |
| 18 | 37810281 | 3 | O-Ring | O-ring | 26,7x2,6 |
| 19 | F01 4564 | 1 | Nippel | Nipple | G1 ZL ET |
| 20 | F01 4563 | 1 | Bypassventil | Valve | ET |
| 21 | F62 0220 | 2 | Winkel-Einschraub-Verbinder | Screwed socket | - |
| 22 | F01 4762 | 1 | Schlauch | Hose | 32i.x6,25x6000 |



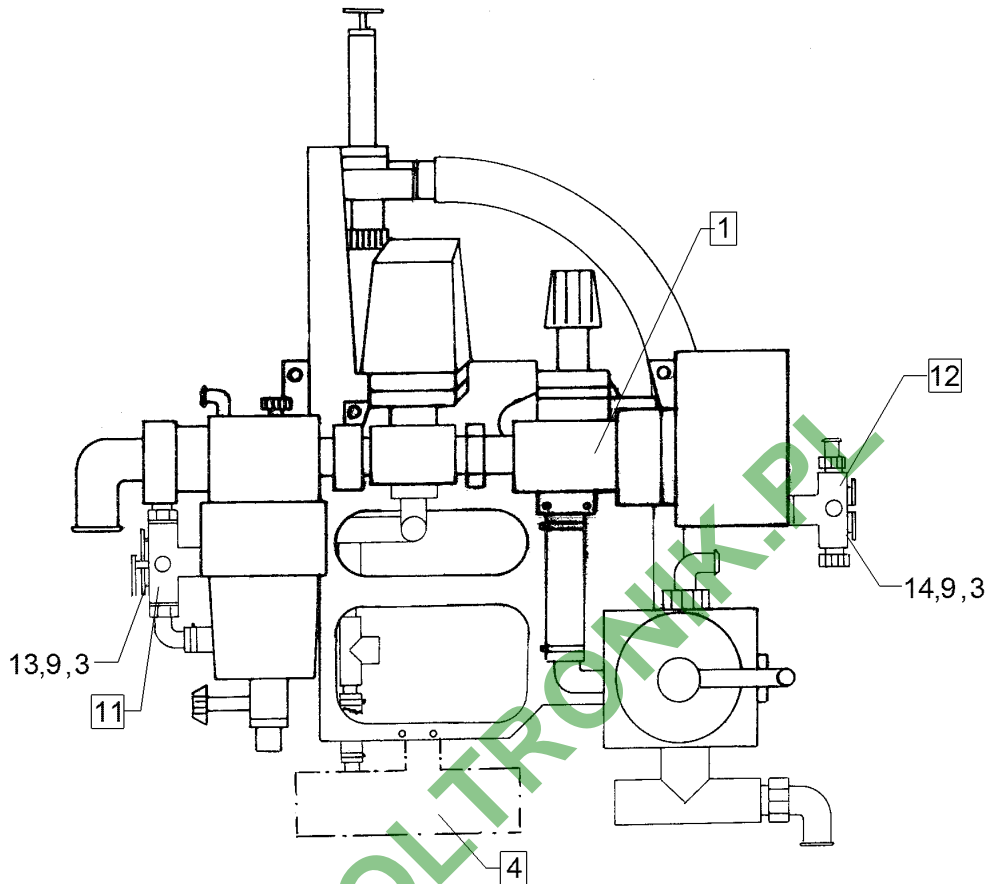
06.17

| Pos. | Art.Nr. | Stck. | Artikeltext / Description | Abmessung | |
|------|----------|-------|---------------------------|-----------------|--------------------------|
| 23 | F61 0851 | 1 | Schlauchanschluss | Hose connection | G1-1/4ZLÜ 90GRD D25 |
| 24 | 30110205 | 4 | Zylinderschraube | Allen screw | M6x60-A4 DIN912 |
| 25 | F61 1970 | 2 | O-Ring | O-ring | 43,82x5,33 |
| 26 | 37810420 | 1 | Adapter | Adapter | G1 1/4 ZLI G1 1/4 ZLA |



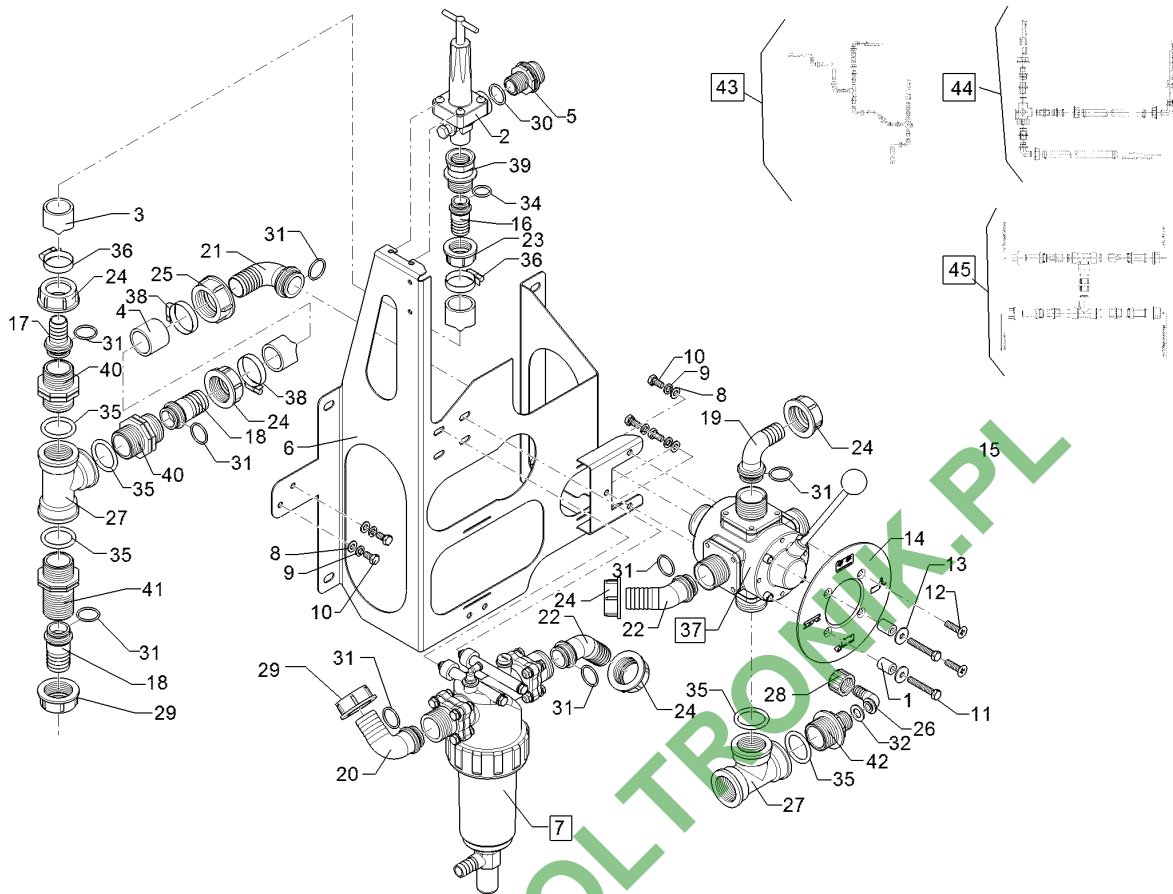
06.17

| Pos. | Art.Nr. | Stck. | Artikeltext / Description | Abmessung | |
|------|----------|-------|---------------------------|-----------------|-------------------------------|
| 1 | F01 0868 | 1 | Gewicht | Weight | - |
| 2 | F61 3247 | 1 | Rohr | Tube | Eurolux/Eurosuper 600-1200 |
| 3 | F55 0205 | 2 | Schelle | Clamp | C3 R17,5 schwarz |
| 4 | 30110244 | 2 | Zylinderschraube | Allen screw | M5x16-A2 DIN84 |
| 5 | F01 0936 | 1 | Stopfen | Plug | R. 15a.x1-2 bk |
| 6 | F61 0862 | 1 | Schlauchanschluss | Hose connection | G1/2ZLÜ W 90GRD D15 |
| 7 | F01 2141 | 1 | Seil | Rope | 2,0x3500 |
| 8 | F02 0600 | 1 | Halter | Holder | ECO/ET |
| 9 | F01 1735 | 1 | Kappe | Cap | - |
| 10 | 301 7533 | 1 | Sechskantschraube | Hexagon bolt | M8x55-A2 DIN931 |
| 11 | 30310043 | 1 | Sicherungsmutter | Selflocking nut | NM8 DIN985-A4 |
| 12 | 305 8695 | 2 | Scheibe | Washer | A8,4 DIN125 A2 |
| 13 | F55 0142 | 1 | Stopfen | Plug | V40x40x4 SYN bk |
| 14 | 30510076 | 2 | Scheibe | Washer | 5,3 DIN125 A2 |
| 15 | F55 0206 | 2 | Schlaufe | Loop | - |
| 16 | 30310041 | 2 | Sicherungsmutter | Selflocking nut | NM5 DIN985-A4 |
| 17 | F61 1883 | 1 | Schlauch | Hose | 13i.x4,0x35 |
| 18 | F61 2399 | 1 | Schlauchschelle | Hose clip | D16-D27x9 |
| 19 | F55 0250 | 1 | Schutzkappe | Cap | bl 9mm |
| 20 | F61 1939 | 1 | O-Ring | O-ring | 14x2,5 NB 0117 |
| 21 | F51 0128 | 1 | Volumenskala | direkt | ET 3500 |



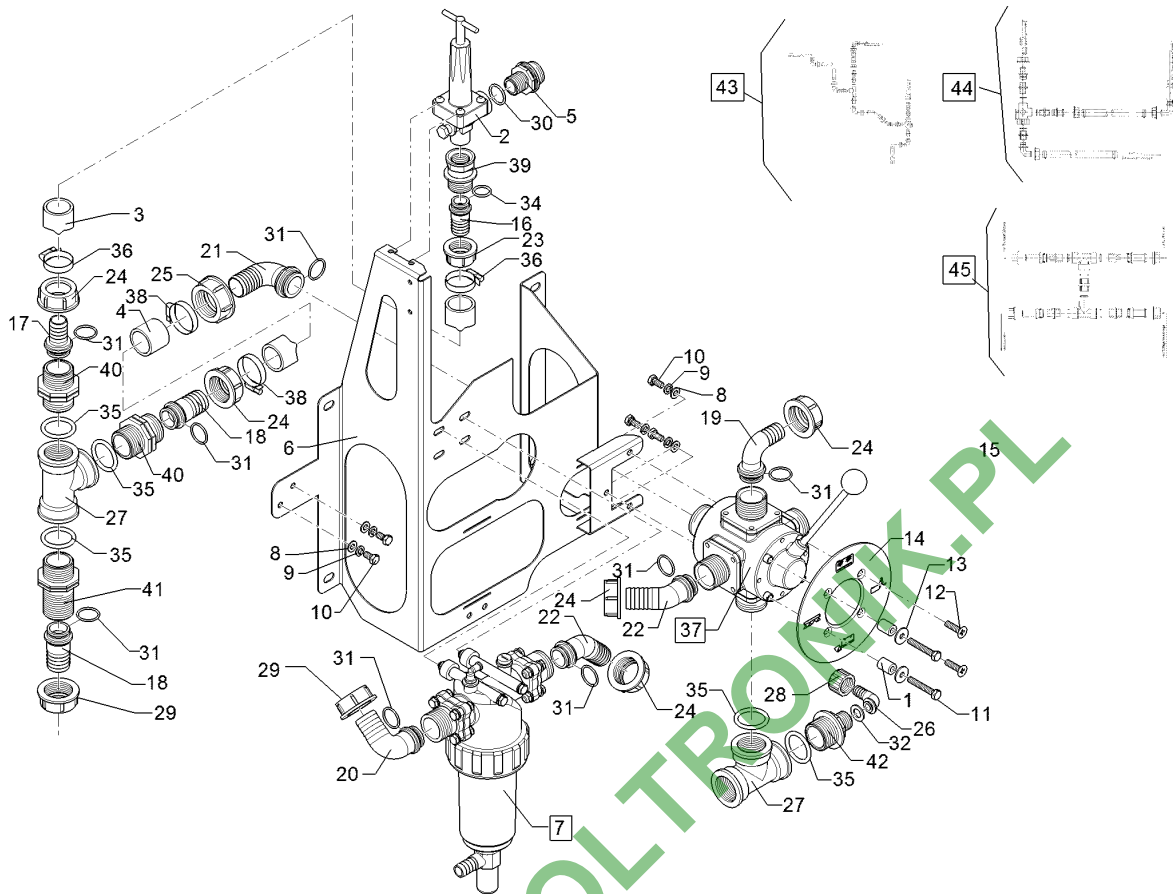
06.17

| Pos. | Art.Nr. | Stck. | Artikeltext / Description | Abmessung | |
|------|----------|-------|---------------------------|---------------|-----------------|
| 1 | F06 0962 | 1 | Grundarmatur | Fitting group | ET/HFR |
| 3 | 301 7511 | 6 | Sechskantschraube | Hexagon bolt | M8x16-A2 DIN933 |
| 4 | F02 1837 | 1 | Saugkit | Suction kit | ET |
| 9 | 305 8695 | 6 | Scheibe | Washer | A8,4 DIN125 A2 |
| 11 | F06 0141 | 1 | Hahngruppe | --- | ET2600/3500 |
| 12 | F06 0143 | 1 | Hahngruppe | --- | ET |
| 13 | F50 0136 | 1 | Beschriftungsplatte | Plate | - |
| 14 | F50 0137 | 1 | Beschriftungsplatte | Plate | - |



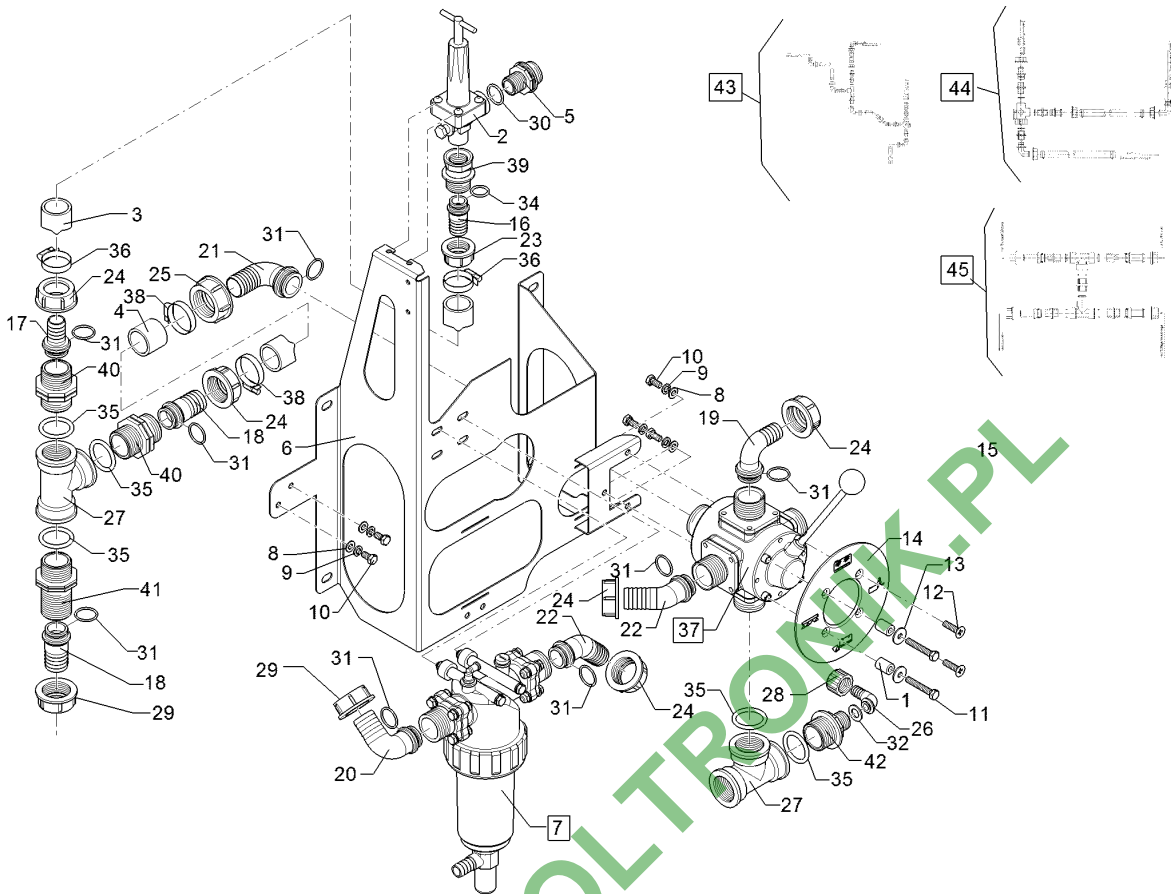
06.17

| Pos. | Art.Nr. | Stck. | Artikeltext / Description | Abmessung | |
|------|----------|-------|---------------------------|------------------------|------------------------|
| 1 | F01 0906 | 2 | Distanzbuchse | Distance bush | D16/8x21 |
| 2 | F01 1490 | 1 | Überdruckventil | Pressure control valve | Spraying Systems |
| 3 | F01 2339 | 1 | Schlauch | Hose | di25x5,75x300 |
| 4 | F01 2467 | 1 | Schlauch | Hose | di31,8x6,3x230 |
| 5 | 37810494 | 1 | Adapter | Adapter | G1ZLA G3/4ZLA |
| 6 | F02 1311 | 1 | Halter | Holder | Eurotrain AIRJAC |
| 7 | F02 1684 | 1 | Druckfilter | Press filter | HFR KPL ET |
| 8 | 305 8695 | 9 | Scheibe | Washer | A8,4 DIN125 A2 |
| 9 | 30510102 | 9 | Federring | Spring ring | 8 Form B-V2A DIN127 |
| 10 | 301 7511 | 5 | Sechskantschraube | Hexagon bolt | M8x16-A2 DIN933 |
| 11 | 30110174 | 2 | Sechskantschraube | Hexagon bolt | M8x50-A2 DIN933 |
| 12 | 30110622 | 2 | Senkschraube | Countersunk bolt | M8x30 DIN965 A2 |
| 13 | F61 2317 | 1 | O-Ring | O-ring | 31x3,5 |
| 14 | F50 0151 | 1 | Beschriftungsscheibe | Disk | - |
| 15 | F55 0250 | 6 | Schutzkappe | Cap | bl 9mm |
| 16 | F61 0829 | 1 | Schlauchanschluss | Hose connection | G1ZLÜ 0GRD D25 |
| 17 | F61 0830 | 1 | Schlauchanschluss | Hose connection | G1-1/4ZLÜ 0GRD D25 |
| 18 | F61 0832 | 1 | Schlauchanschluss | Hose connection | G1-1/4ZLÜ 0GRD D32 |
| 19 | F61 0851 | 1 | Schlauchanschluss | Hose connection | G1-1/4ZLÜ 90GRD D25 |
| 20 | F61 0853 | 2 | Schlauchanschluss | Hose connection | G1-1/4ZLÜ 90GRD D32 |



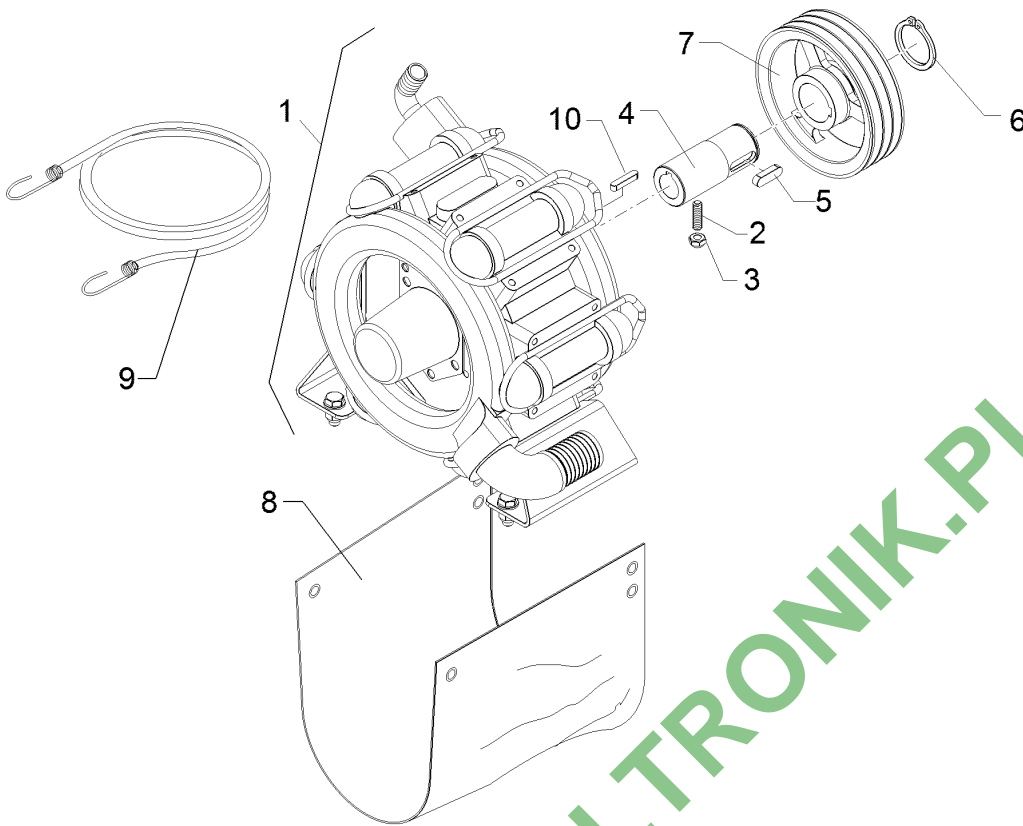
06.17

| Pos. | Art.Nr. | Stck. | Artikeltext / Description | Abmessung | |
|------|----------|-------|---------------------------|-----------------|------------------------------|
| 21 | F61 0855 | 1 | Schlauchanschluss | Hose connection | G1-1/2ZLÜ 90GRD D32 |
| 22 | F61 0861 | 2 | Schlauchanschluss | Hose connection | G1-1/4ZLÜ 45GRD D30 |
| 23 | 37810579 | 1 | Überwurfmutter | Union nut | G1 ZL |
| 24 | 37810580 | 5 | Überwurfmutter | Union nut | G1-1/4 ZL |
| 25 | 37810581 | 1 | Überwurfmutter | Union nut | G1-1/2 ZL |
| 26 | F61 0947 | 1 | Zapfen | Pivot | G3/4 ZL |
| 27 | F61 0995 | 2 | T-Stück | T-piece | G1-1/4ZLI |
| 28 | F61 1140 | 1 | Überwurfmutter | Union nut | G3/4ZL |
| 29 | 37810585 | 2 | Überwurfmutter | Union nut | G1 1/4 ZL Rot |
| 30 | F61 1932 | 1 | O-Ring | O-ring | 25x3 |
| 31 | 37810281 | 7 | O-Ring | O-ring | 26,7x2,6 |
| 32 | F61 1951 | 1 | Dichtung | Seal | 14x24x2 PVC |
| 33 | F61 1954 | 1 | O-Ring | O-ring | 4x4 061-050056-000 |
| 34 | F61 1972 | 1 | O-Ring | O-ring | 20x3 |
| 35 | F61 1974 | 5 | O-Ring | O-ring | 37,47x5,35 |
| 36 | F61 2402 | 2 | Schlauchschelle | Hose clip | D25-D40x9 |
| 37 | F01 4562 | 1 | Kugelventil | Ball valve | 5/.. G1 1/2 ZL ET/PneuTec |
| 38 | F61 4261 | 4 | Schlauchschelle | Hose clip | D30-D45x9 W4 |
| 39 | 37810410 | 1 | Adapter | Adapter | G3/4 ZLI G1 ZLA |
| 40 | 37810476 | 2 | Adapter | Adapter | G1-1/4ZLA G1-1/4ZLA |



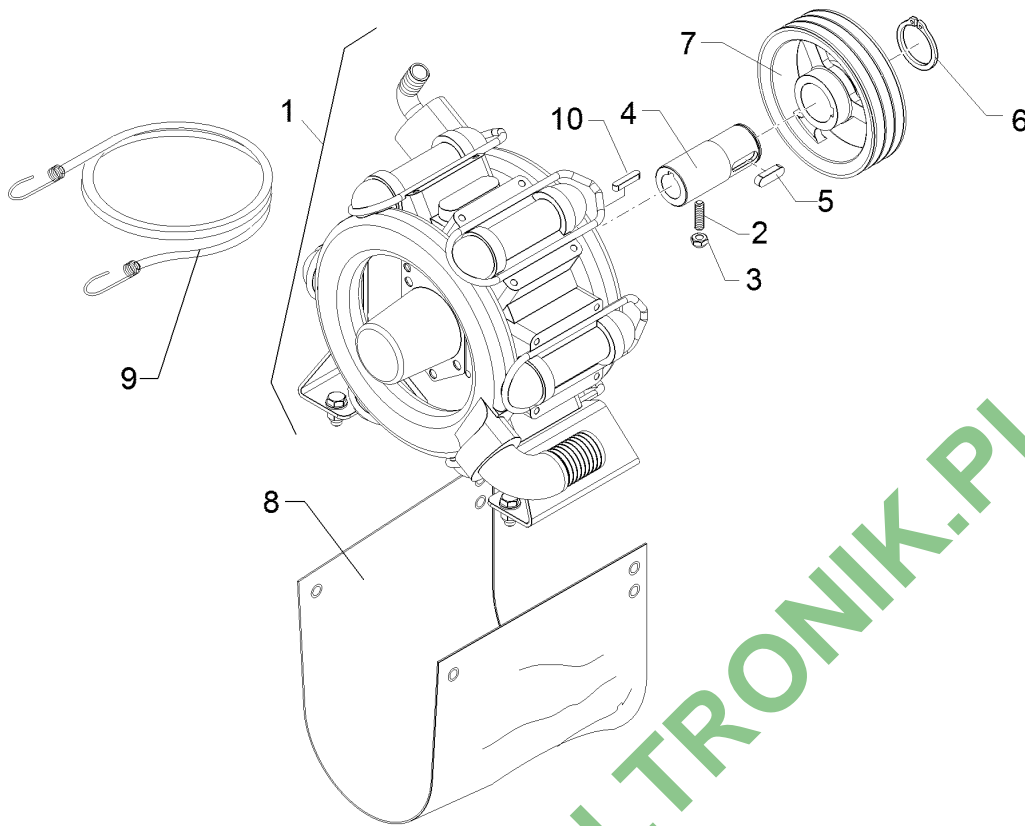
06.17

| Pos. | Art.Nr. | Stck. | Artikeltext / Description | Abmessung |
|------|----------|-------|---------------------------|--------------------------------|
| 41 | 37810484 | 1 | Adapter | G1-1/4ZLA |
| 42 | 37810495 | 1 | Adapter | G1-1/4ZLA G1-1/4ZLA G3/4ZLA |
| 43 | F02 1685 | 1 | Hahngruppe | ET |
| 44 | F02 1686 | 1 | Hahngruppe | ET |
| 45 | F02 1837 | 1 | Saugkit | ET |



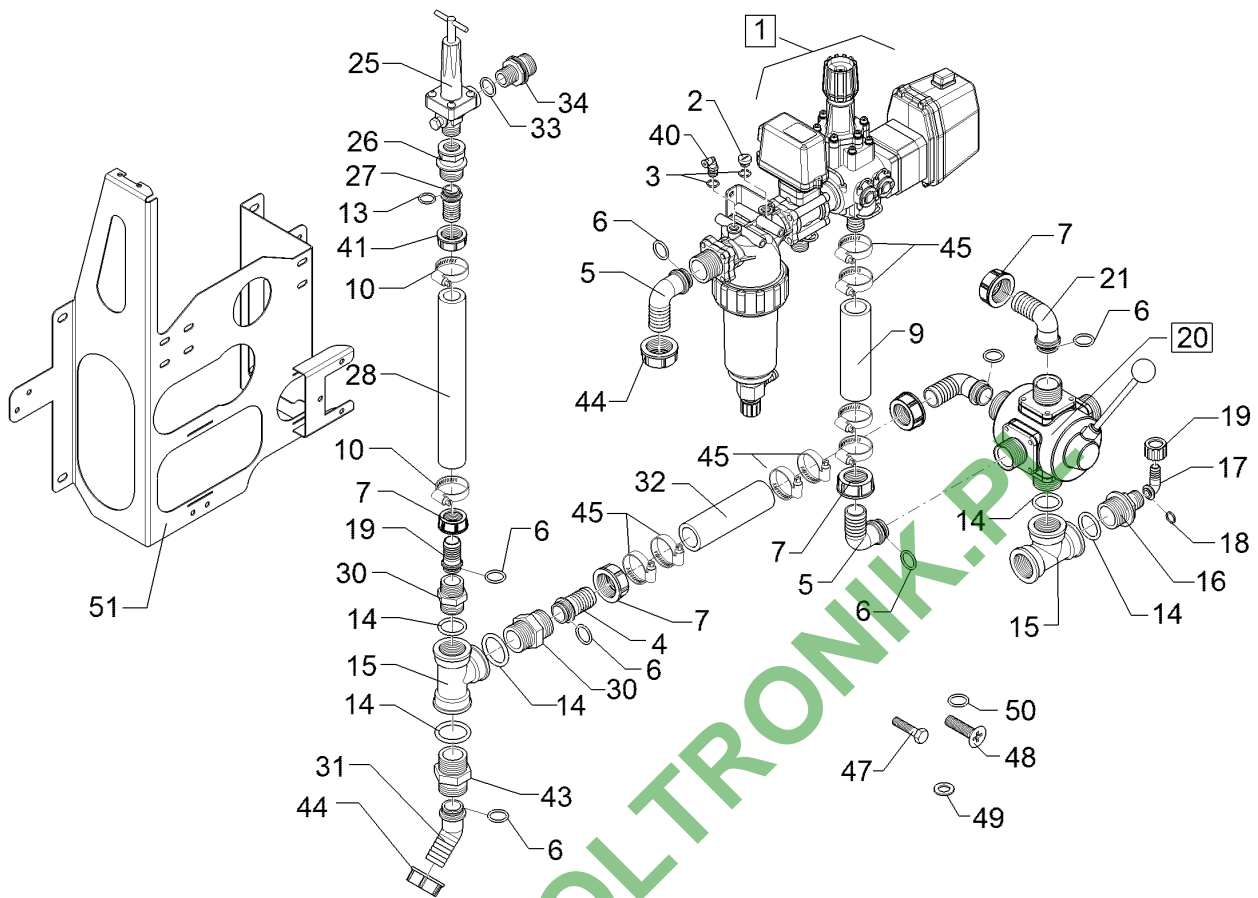
06.17

| Pos. | Art.Nr. | Stck. | Artikeltext / Description | Abmessung | |
|------|----------|-------|---------------------------|------------------|-------------------------|
| 1 | F03 0425 | 1 | Pumpe | Pump | BP280 |
| 2 | F20 0409 | 1 | Gewindestift | Threaded pin | M10x35 A2 DIN913 |
| 3 | 303 1012 | 1 | Sechskantmutter | Hexagon nut | M10 DIN934-8 Zn |
| 4 | F01 0885 | 1 | Adapter | Adapter | - |
| 5 | F20 0799 | 1 | Passfeder | Adjusting spring | A12x8x40-St DIN6885 |
| 6 | 30510192 | 1 | Sicherungsring | Retaining ring | 48x1,5 A2 DIN471 |
| 7 | F01 0803 | 1 | Keilriemenscheibe | V-belt pulley | dw=180 |
| 8 | F35 0392 | 1 | Schutz | Protection | - |
| 9 | F25 0420 | 2 | Spanngurt | Spanner | 4-fach |
| 10 | F20 0800 | 1 | Passfeder | Adjusting spring | A8x7x40-St60 DIN6885 |



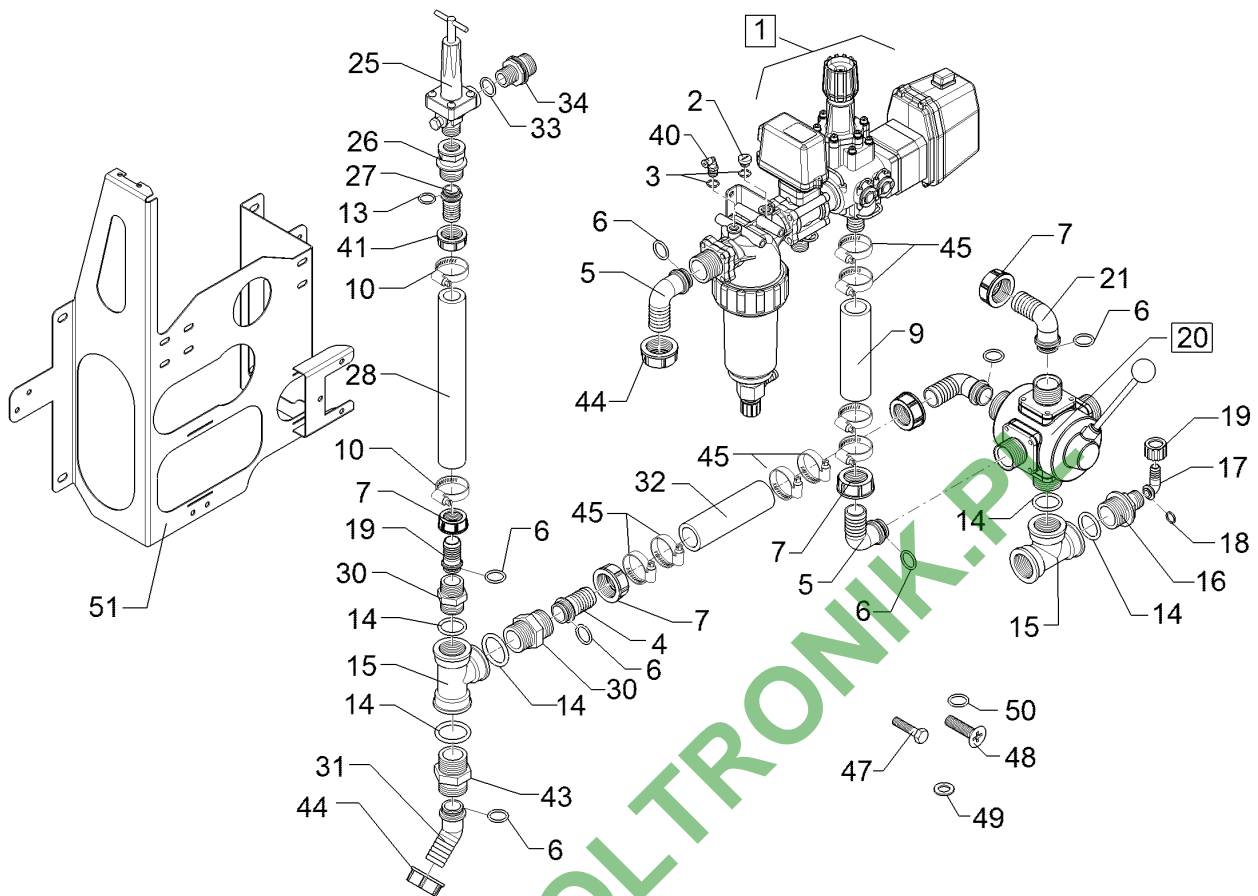
06.17

| Pos. | Art.Nr. | Stck. | Artikeltext / Description | Abmessung | |
|------|----------|-------|---------------------------|------------------|-------------------------|
| 1 | F03 0367 | 1 | Pumpe | Pump | BP235K |
| 2 | F20 0409 | 1 | Gewindestift | Threaded pin | M10x35 A2 DIN913 |
| 3 | 303 1012 | 1 | Sechskantmutter | Hexagon nut | M10 DIN934-8 Zn |
| 4 | F01 0885 | 1 | Adapter | Adapter | - |
| 5 | F20 0799 | 1 | Passfeder | Adjusting spring | A12x8x40-St DIN6885 |
| 6 | 30510192 | 1 | Sicherungsring | Retaining ring | 48x1,5 A2 DIN471 |
| 7 | F01 0803 | 1 | Keilriemenscheibe | V-belt pulley | dw=180 |
| 8 | F35 0392 | 1 | Schutz | Protection | - |
| 9 | F25 0420 | 2 | Spanngurt | Spanner | 4-fach |
| 10 | F20 0800 | 1 | Passfeder | Adjusting spring | A8x7x40-St60 DIN6885 |



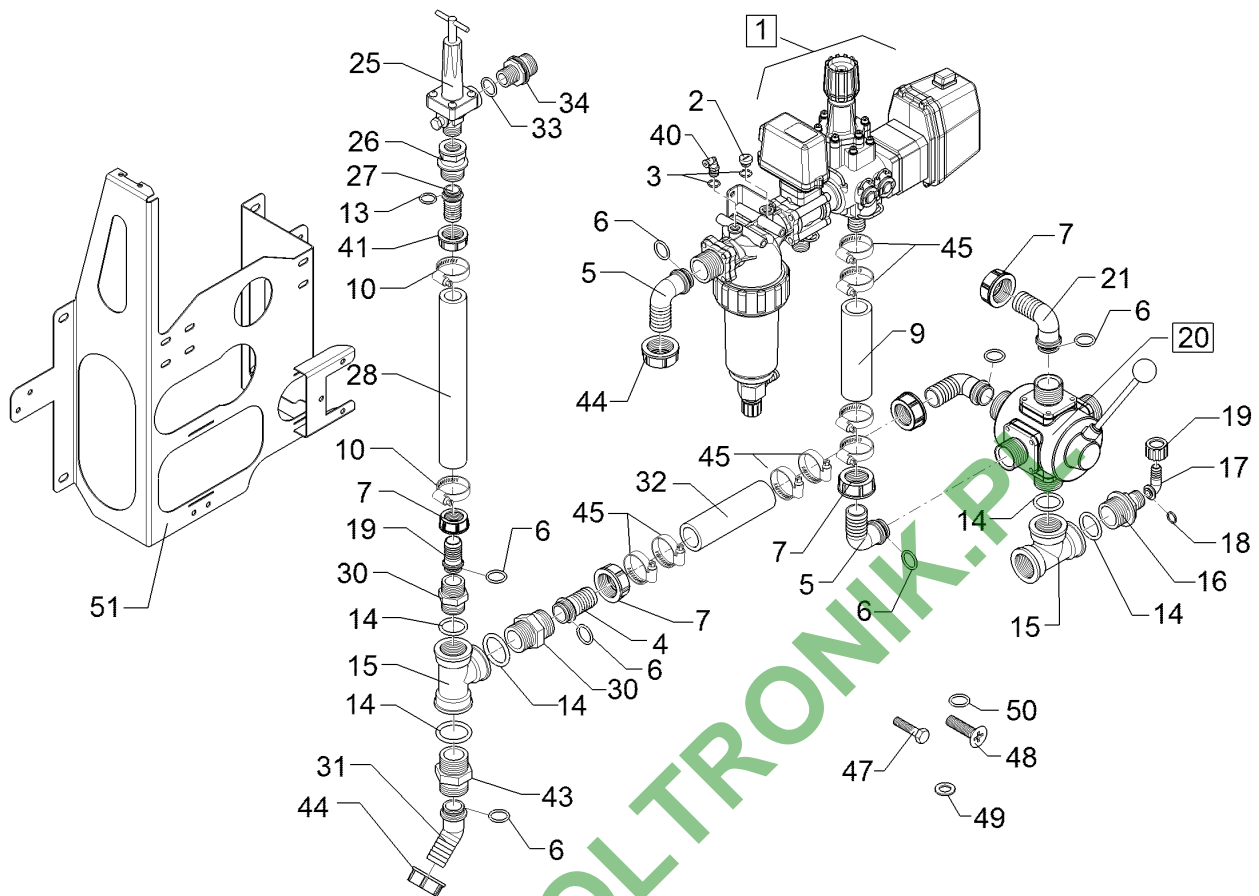
06.17

| Pos. | Art.Nr. | Stck. | Artikeltext / Description | Abmessung |
|------|----------|-------|---------------------------|--------------------|
| 1 | F61 3900 | 1 | Zentralschaltarmatur | Fitting |
| 2 | F61 1101 | 1 | Verschlusschraube | Plug |
| 3 | F61 1954 | 2 | O-Ring | O-ring |
| 4 | F61 0832 | 1 | Schlauchanschluss | Hose connection |
| 5 | F61 0853 | 2 | Schlauchanschluss | Hose connection |
| 6 | 37810281 | 6 | O-Ring | O-ring |
| 7 | 37810580 | 4 | Überwurfmutter | Union nut |
| 8 | 37810283 | 1 | O-Ring | O-ring |
| 9 | F01 2357 | 1 | Schlauch | Hose |
| 10 | F61 2402 | 2 | Schlauchschelle | Hose clip |
| 11 | 37810581 | 1 | Überwurfmutter | Union nut |
| 12 | F61 0855 | 1 | Schlauchanschluss | Hose connection |
| 13 | F61 1972 | 1 | O-Ring | O-ring |
| 14 | F61 1974 | 5 | O-Ring | O-ring |
| 15 | F61 0995 | 2 | T-Stück | T-piece |
| 16 | 37810495 | 1 | Adapter | Adapter |
| 17 | F61 0947 | 1 | Zapfen | Pivot |
| 18 | F61 1951 | 1 | Dichtung | Seal |
| 19 | F61 1140 | 1 | Überwurfmutter | Union nut |
| 20 | F61 3879 | 1 | Kugelventil | Ball valve |
| 21 | F61 0851 | 1 | Schlauchanschluss | Hose connection |
| | | | | HFR |
| | | | | G1/4 ZL SYN rd |
| | | | | 4x4 061-050056-000 |
| | | | | G1-1/4ZLÜ OGRD |
| | | | | D32 |
| | | | | G1-1/4ZLÜ 90GRD |
| | | | | D32 |
| | | | | 26,7x2,6 |
| | | | | G1-1/4 ZL |
| | | | | 29,2x3 |
| | | | | 32i.x6,25x155 |
| | | | | D25-D40x9 |
| | | | | G1-1/2 ZL |
| | | | | G1-1/2ZLÜ 90GRD |
| | | | | D32 |
| | | | | 20x3 |
| | | | | 37,47x5,35 |
| | | | | G1-1/4ZLI |
| | | | | G1-1/4ZLA G3/4ZLA |
| | | | | G3/4 ZL |
| | | | | 14x24x2 PVC |
| | | | | G3/4ZL |
| | | | | 5/.. KPL G11/2 ZL |
| | | | | G1-1/4ZLÜ 90GRD |
| | | | | D25 |



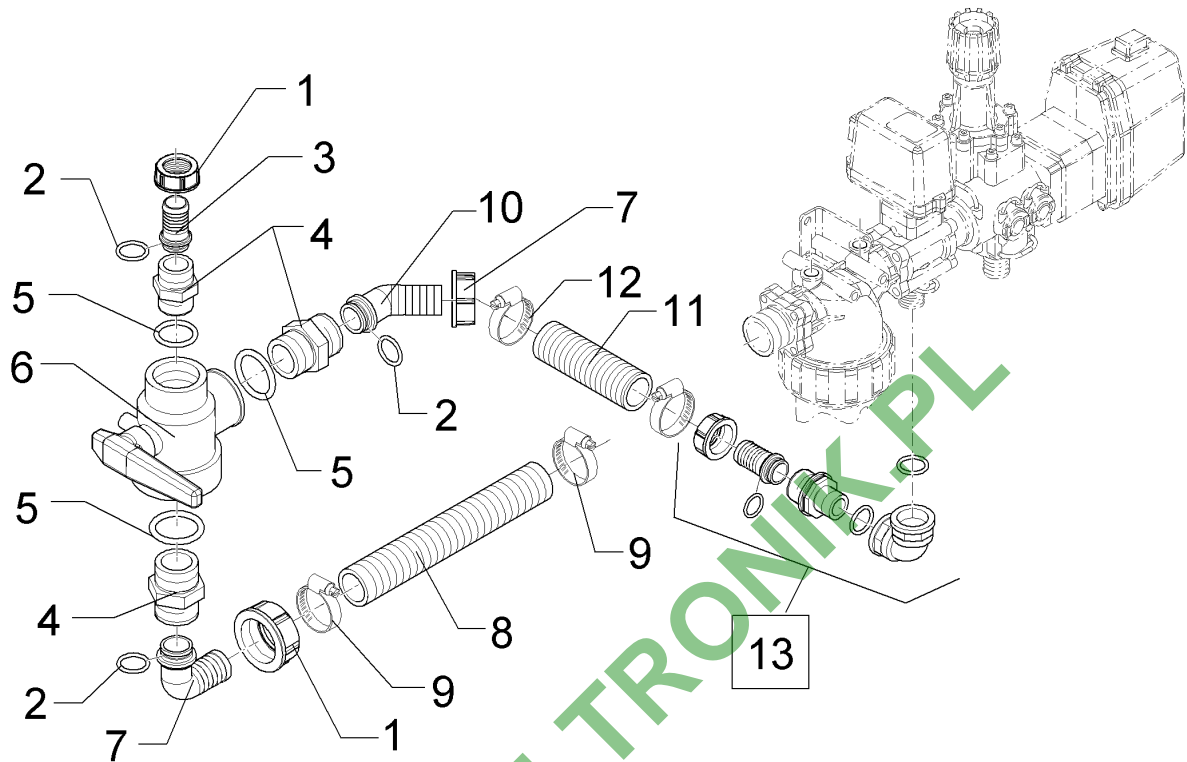
06.17

| Pos. | Art.Nr. | Stck. | Artikeltext / Description | Abmessung | |
|------|----------|-------|---------------------------|------------------------|------------------------|
| 22 | F50 0151 | 1 | Beschriftungsscheibe | Disk | - |
| 25 | F01 1490 | 1 | Überdruckventil | Pressure control valve | Spraying Systems |
| 26 | 37810410 | 1 | Adapter | Adapter | G3/4 ZLI G1 ZLA |
| 27 | F61 0829 | 1 | Schlauchanschluss | Hose connection | G1ZLÜ 0GRD D25 |
| 28 | F01 2339 | 1 | Schlauch | Hose | di25x5,75x300 |
| 29 | F61 0830 | 1 | Schlauchanschluss | Hose connection | G1-1/4ZLÜ 0GRD D25 |
| 30 | 37810476 | 2 | Adapter | Adapter | G1-1/4ZLA G1-1/4ZLA |
| 31 | F61 0861 | 1 | Schlauchanschluss | Hose connection | G1-1/4ZLÜ 45GRD D30 |
| 32 | F01 2467 | 1 | Schlauch | Hose | di31,8x6,3x230 |
| 33 | F61 1932 | 2 | O-Ring | O-ring | 25x3 |
| 34 | 37810494 | 1 | Adapter | Adapter | G1ZLA G3/4ZLA |
| 35 | F61 2055 | 1 | O-Ring | O-ring | 42x3 |
| 36 | F01 0906 | 2 | Distanzbuchse | Distance bush | D16/8x21 |
| 39 | F51 0257 | 1 | Aufkleber | Label | - |
| 40 | F62 0169 | 1 | Winkelsteckverbindung | 4 mm | G1/4 ZL |
| 41 | 37810579 | 1 | Überwurfmutter | Union nut | G1 ZL |
| 42 | F41 0431 | 2 | Kabel | Cable | 3,5 m |
| 43 | 37810484 | 1 | Adapter | Adapter | G1-1/4ZLA G1-1/4ZLA |
| 44 | 37810585 | 2 | Überwurfmutter | Union nut | G1 1/4 ZL Rot |
| 45 | F61 4261 | 12 | Schlauchschelle | Hose clip | D30-D45x9 W4 |
| 46 | F55 0250 | 14 | Schutzkappe | Cap | bl 9mm |



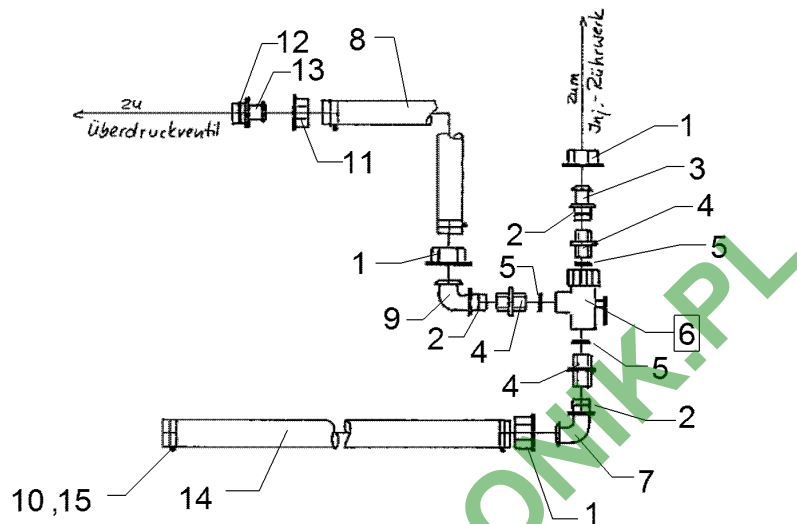
06.17

| Pos. | Art.Nr. | Stck. | Artikeltext / Description | Abmessung | |
|------|----------|-------|---------------------------|------------------|-------------------------|
| 47 | 30110174 | 2 | Sechskantschraube | Hexagon bolt | M8x50-A2 DIN933 |
| 48 | 30110622 | 2 | Senkschraube | Countersunk bolt | M8x30 DIN965 A2 |
| 49 | 305 6125 | 2 | Scheibe | Washer | D8,4/24x2 A2 DIN9021 |
| 50 | F61 1941 | 1 | O-Ring | O-ring | 22x3 |
| 51 | F02 1311 | 1 | Halter | Holder | Eurotrain AIRJAC HFR |



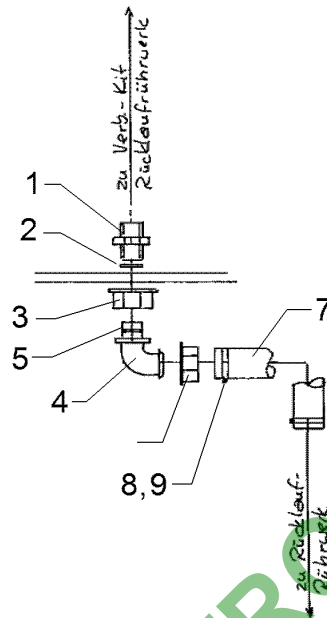
06.17

| Pos. | Art.Nr. | Stck. | Artikeltext / Description | Abmessung | |
|------|----------|-------|---------------------------|-----------------|------------------------|
| 1 | 37810580 | 3 | Überwurfmutter | Union nut | G1-1/4 ZL |
| 2 | 37810281 | 3 | O-Ring | O-ring | 26,7x2,6 |
| 3 | F61 0832 | 1 | Schlauchanschluss | Hose connection | G1-1/4ZLÜ 0GRD D32 |
| 4 | 37810476 | 3 | Adapter | Adapter | G1-1/4ZLA G1-1/4ZLA |
| 5 | F61 1974 | 3 | O-Ring | O-ring | 37,47x5,35 |
| 6 | F61 0144 | 1 | Kugelventil | Ball valve | 3/3 G1-1/4ZLI |
| 7 | F61 0853 | 1 | Schlauchanschluss | Hose connection | G1-1/4ZLÜ 90GRD D32 |
| 8 | F01 1777 | 1 | Schlauch | Hose | di32x4,2x250 |
| 9 | F61 2402 | 2 | Schlauchschelle | Hose clip | D25-D40x9 |
| 10 | F61 0861 | 1 | Schlauchanschluss | Hose connection | G1-1/4ZLÜ 45GRD D30 |
| 11 | F01 3636 | 1 | Schlauch | Hose | 32i.x4,2x135 |
| 12 | F61 2403 | 2 | Schlauchschelle | Hose clip | D32-D50x9 |
| 13 | F06 1443 | 1 | Verbindungsset | 90 GRD | ET |



06.17

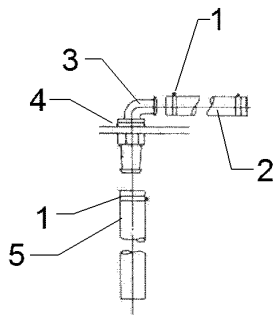
| Pos. | Art.Nr. | Stck. | Artikeltext / Description | Abmessung | |
|------|----------|-------|---------------------------|-----------------|------------------------|
| 1 | 37810580 | 3 | Überwurfmutter | Union nut | G1-1/4 ZL |
| 2 | 37810281 | 3 | O-Ring | O-ring | 26,7x2,6 |
| 3 | F61 0830 | 1 | Schlauchanschluss | Hose connection | G1-1/4ZLÜ 0GRD D25 |
| 4 | 37810476 | 3 | Adapter | Adapter | G1-1/4ZLA G1-1/4ZLA |
| 5 | F61 1974 | 3 | O-Ring | O-ring | 37,47x5,35 |
| 6 | F61 0144 | 1 | Kugelventil | Ball valve | 3/3 G1-1/4ZLI |
| 7 | F61 0853 | 1 | Schlauchanschluss | Hose connection | G1-1/4ZLÜ 90GRD D32 |
| 8 | F01 2220 | 1 | Schlauch | Hose | 25i.x7x500 |
| 9 | F61 0851 | 1 | Schlauchanschluss | Hose connection | G1-1/4ZLÜ 90GRD D25 |
| 10 | F61 2402 | 4 | Schlauchschelle | Hose clip | D25-D40x9 |
| 11 | 37810579 | 1 | Überwurfmutter | Union nut | G1 ZL |
| 12 | F61 0829 | 1 | Schlauchanschluss | Hose connection | G1ZLÜ 0GRD D25 |
| 13 | F61 1972 | 1 | O-Ring | O-ring | 20x3 |
| 14 | F01 3637 | 1 | Schlauch | Hose | di32x4,2x380 |
| 15 | F55 0250 | 4 | Schutzkappe | Cap | bl 9mm |



06.17

| Pos. | Art.Nr. | Stck. | Artikeltext / Description | | Abmessung |
|------|----------|-------|---------------------------|-----------------|------------------------|
| 1 | 37810484 | 1 | Adapter | Adapter | G1-1/4ZLA G1-1/4ZLA |
| 2 | F61 1909 | 1 | Dichtung | Seal | 40x60x4 |
| 3 | 37810672 | 1 | Mutter | Nut | G1-1/4ZLI |
| 4 | F61 0853 | 1 | Schlauchanschluss | Hose connection | G1-1/4ZLÜ 90GRD D32 |
| 5 | 37810281 | 1 | O-Ring | O-ring | 26,7x2,6 |
| 6 | 37810580 | 1 | Überwurfmutter | Union nut | G1-1/4 ZL |
| 7 | F01 1790 | 1 | Schlauch | Hose | di32x4,2x1130 |
| 8 | F61 2402 | 2 | Schlauchschelle | Hose clip | D25-D40x9 |
| 9 | F55 0250 | 2 | Schutzkappe | Cap | bl 9mm |

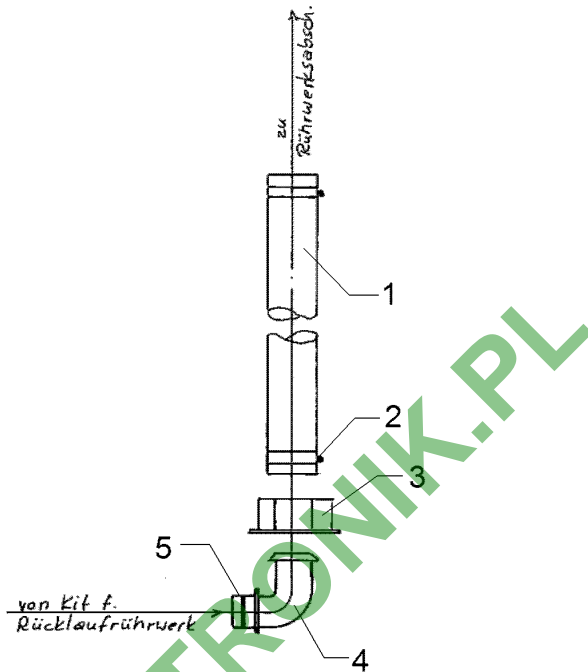
| | |
|------------------------------------|-----------------|
| Kit/Set | 8 |
| EuroTrain 2600 TC / 3500 TC | F06 0145 |



06.17

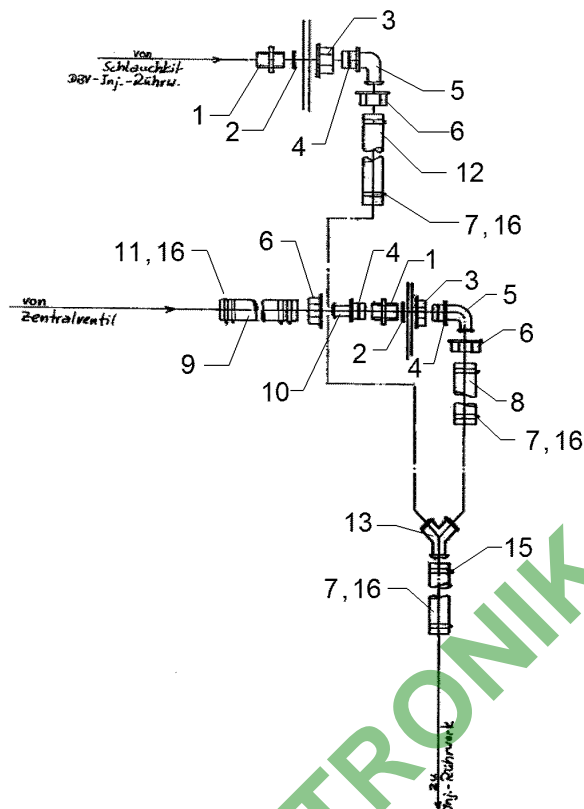
| Pos. | Art.Nr. | Stck. | Artikeltext / Description | Abmessung | |
|------|----------|-------|---------------------------|-----------------|------------------------|
| 1 | F61 2399 | 3 | Schlauchschelle | Hose clip | D16-D27x9 |
| 2 | F01 2075 | 1 | Schlauch | Hose | di16x4,8x710 |
| 3 | F61 0862 | 1 | Schlauchanschluss | Hose connection | G1/2ZLÜ W 90GRD D15 |
| 4 | F61 1906 | 1 | Dichtung | Seal | 33,0x2x21 |
| 5 | F11 1002 | 1 | Schlauch | Hose | di16x4,8x2700 |
| 6 | F55 0250 | 3 | Schutzkappe | Cap | bl 9mm |

| | |
|-----------------------------|----------|
| Kit/Set | 8 |
| EuroTrain 2600 TC / 3500 TC | F06 0147 |



06.17

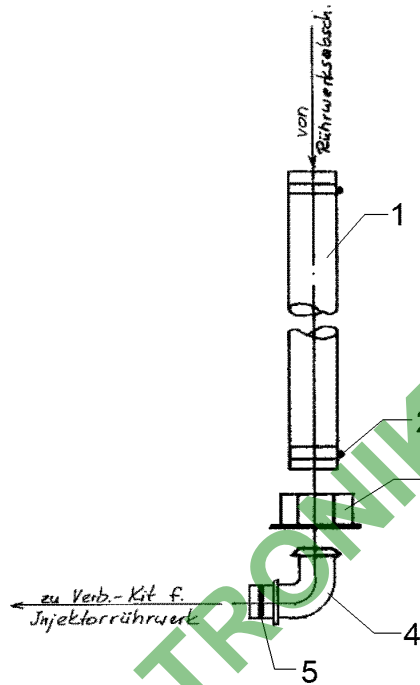
| Pos. | Art.Nr. | Stck. | Artikeltext / Description | Abmessung |
|------|----------|-------|---------------------------|---|
| 1 | F01 2484 | 1 | Schlauch | Hose 32i.x4,2x460 |
| 2 | F61 2402 | 2 | Schlauchschelle | Hose clip D25-D40x9 |
| 3 | 37810580 | 1 | Überwurfmutter | Union nut G1-1/4 ZL |
| 4 | F61 0853 | 1 | Schlauchanschluss | Hose connection G1-1/4ZLÜ 90GRD D32 |
| 5 | 37810281 | 1 | O-Ring | O-ring 26,7x2,6 |
| 6 | F55 0250 | 6 | Schutzkappe | Cap bl 9mm |



06.17

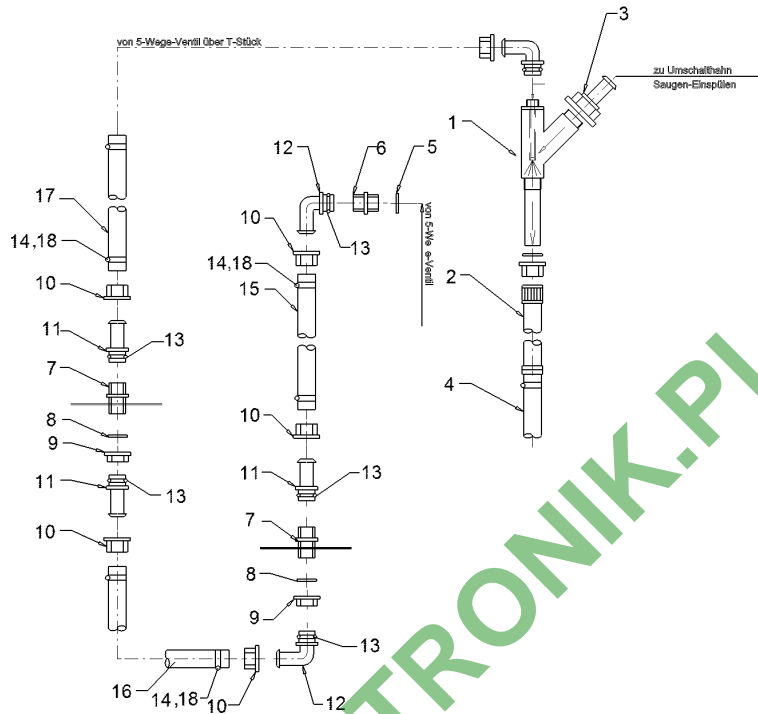
| Pos. | Art.Nr. | Stck. | Artikeltext / Description | | Abmessung |
|------|----------|-------|---------------------------|-----------------|------------------------|
| 1 | 37810484 | 2 | Adapter | Adapter | G1-1/4ZLA G1-1/4ZLA |
| 2 | F61 1909 | 2 | Dichtung | Seal | 40x60x4 |
| 3 | 37810672 | 2 | Mutter | Nut | G1-1/4ZLI |
| 4 | 37810281 | 3 | O-Ring | O-ring | 26,7x2,6 |
| 5 | F61 0851 | 2 | Schlauchanschluss | Hose connection | G1-1/4ZLÜ 90GRD D25 |
| 6 | 37810580 | 3 | Überwurfmutter | Union nut | G1-1/4 ZL |
| 7 | F61 2402 | 6 | Schlauchschelle | Hose clip | D25-D40x9 |
| 8 | F11 1003 | 1 | Schlauch | Hose | di25x7x1380 |
| 9 | F01 2354 | 1 | Schlauch | Hose | 32i.x6,25x125 |
| 10 | F61 0832 | 1 | Schlauchanschluss | Hose connection | G1-1/4ZLÜ 0GRD D32 |
| 11 | F61 4261 | 4 | Schlauchschelle | Hose clip | D30-D45x9 W4 |
| 12 | F11 0998 | 1 | Schlauch | Hose | di25x7x650 |
| 13 | F61 0874 | 1 | Y-Stück | Y-piece | 3XD25 |
| 15 | F11 1001 | 1 | Schlauch | Hose | di25x7x430 |
| 16 | F55 0250 | 10 | Schutzkappe | Cap | bl 9mm |

| | |
|-----------------------------|----------|
| Kit/Set | 8 |
| EuroTrain 2600 TC / 3500 TC | F06 0149 |



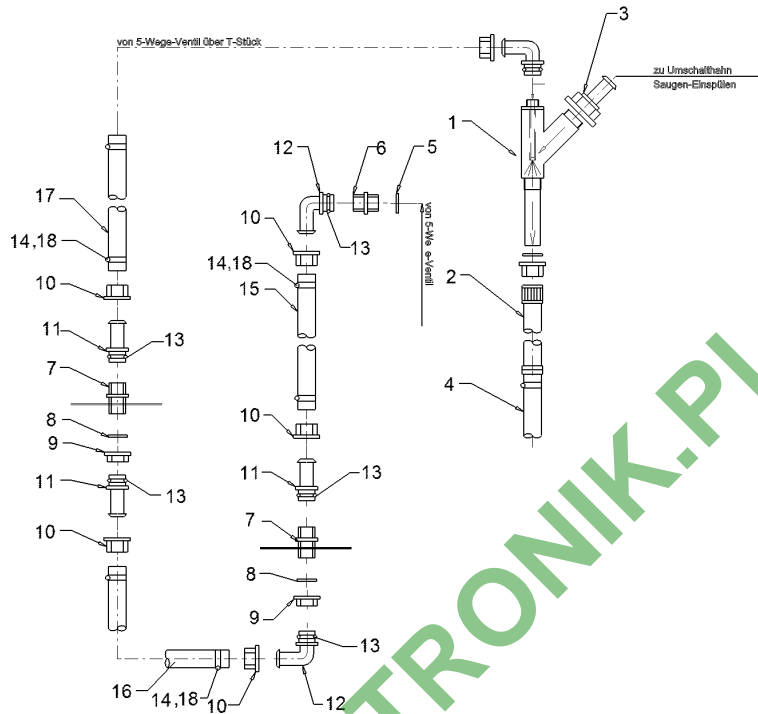
06.17

| Pos. | Art.Nr. | Stck. | Artikeltext / Description | Abmessung |
|------|----------|-------|---------------------------|---|
| 1 | F11 1001 | 1 | Schlauch | Hose di25x7x430 |
| 2 | F61 2402 | 2 | Schlauchschelle | Hose clip D25-D40x9 |
| 3 | 37810580 | 1 | Überwurfmutter | Union nut G1-1/4 ZL |
| 4 | F61 0851 | 1 | Schlauchanschluss | Hose connection G1-1/4ZLÜ 90GRD D25 |
| 5 | 37810281 | 1 | O-Ring | O-ring 26,7x2,6 |
| 6 | F55 0250 | 2 | Schutzkappe | Cap bl 9mm |



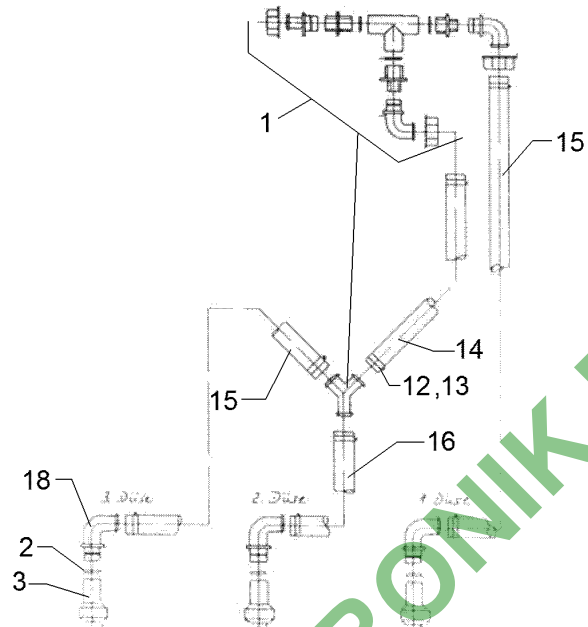
06.17

| Pos. | Art.Nr. | Stck. | Artikeltext / Description | Abmessung |
|------|----------|-------|---------------------------|-----------------|
| 1 | F03 0387 | 1 | Super-Injektor | Super-Injector |
| 2 | F03 0204 | 1 | Standrohr | Tube |
| 3 | 37810533 | 1 | Schlauchanschluss | Hose connection |
| 4 | F02 1170 | 1 | Einspülschlauch | Induction hose |
| 5 | F61 1974 | 1 | O-Ring | O-ring |
| 6 | 37810476 | 1 | Adapter | Adapter |
| 7 | 37810484 | 2 | Adapter | Adapter |
| 8 | F61 1909 | 2 | Dichtung | Seal |
| 9 | 37810672 | 2 | Mutter | Nut |
| 10 | 37810580 | 5 | Überwurfmutter | Union nut |
| 11 | F61 0830 | 3 | Schlauchanschluss | Hose connection |
| 12 | F61 0851 | 2 | Schlauchanschluss | Hose connection |
| 13 | 37810281 | 5 | O-Ring | O-ring |
| 14 | F61 2402 | 6 | Schlauchschelle | Hose clip |
| 15 | F01 1769 | 1 | Schlauch | Hose |
| 16 | F11 0152 | 1 | Schlauch | Hose |
| 17 | F11 0153 | 1 | Schlauch | Hose |
| 18 | F55 0250 | 6 | Schutzkappe | Cap |



06.17

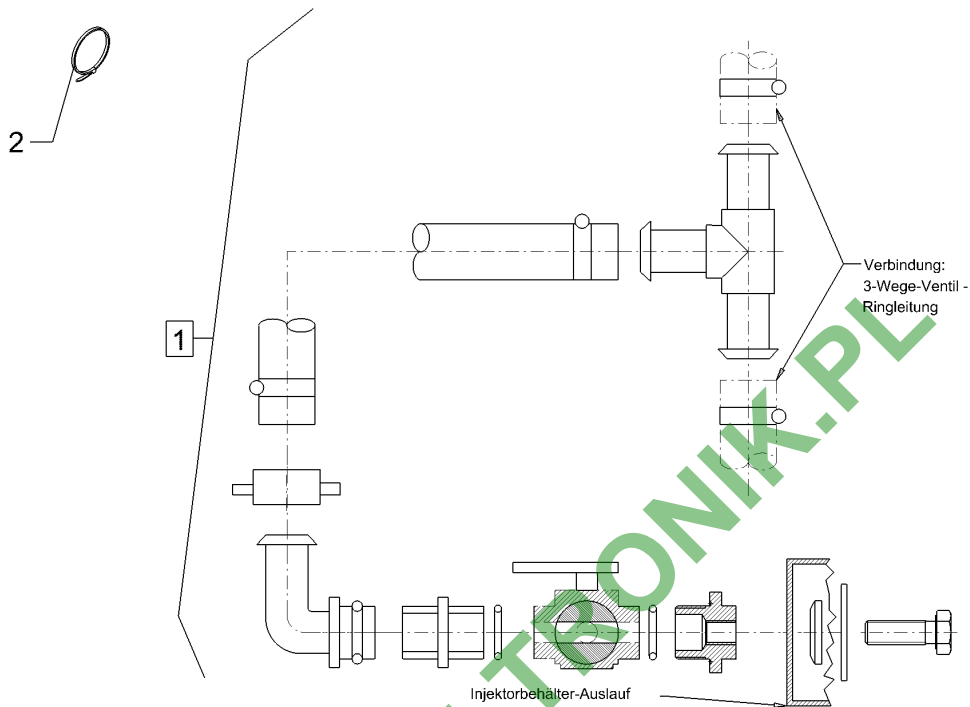
| Pos. | Art.Nr. | Stck. | Artikeltext / Description | Abmessung |
|------|----------|-------|---------------------------|-----------------|
| 1 | F03 0387 | 1 | Super-Injektor | Super-Injector |
| 2 | F03 0204 | 1 | Standrohr | Tube |
| 3 | F61 0833 | 1 | Schlauchanschluss | Hose connection |
| 4 | F02 1170 | 1 | Einspülschlauch | Induction hose |
| 5 | F61 1974 | 1 | O-Ring | O-ring |
| 6 | 37810476 | 1 | Adapter | Adapter |
| 7 | 37810484 | 2 | Adapter | Adapter |
| 8 | F61 1909 | 2 | Dichtung | Seal |
| 9 | 37810672 | 2 | Mutter | Nut |
| 10 | 37810580 | 5 | Überwurfmutter | Union nut |
| 11 | F61 0830 | 3 | Schlauchanschluss | Hose connection |
| 12 | F61 0851 | 2 | Schlauchanschluss | Hose connection |
| 13 | 37810281 | 5 | O-Ring | O-ring |
| 14 | F61 2402 | 6 | Schlauchschelle | Hose clip |
| 15 | F01 1769 | 1 | Schlauch | Hose |
| 16 | F11 0152 | 1 | Schlauch | Hose |
| 17 | F11 0153 | 1 | Schlauch | Hose |
| 18 | F55 0250 | 6 | Schutzkappe | Cap |
| 19 | 37810581 | 1 | Überwurfmutter | Union nut |
| 20 | 37810283 | 1 | O-Ring | O-ring |



06.17

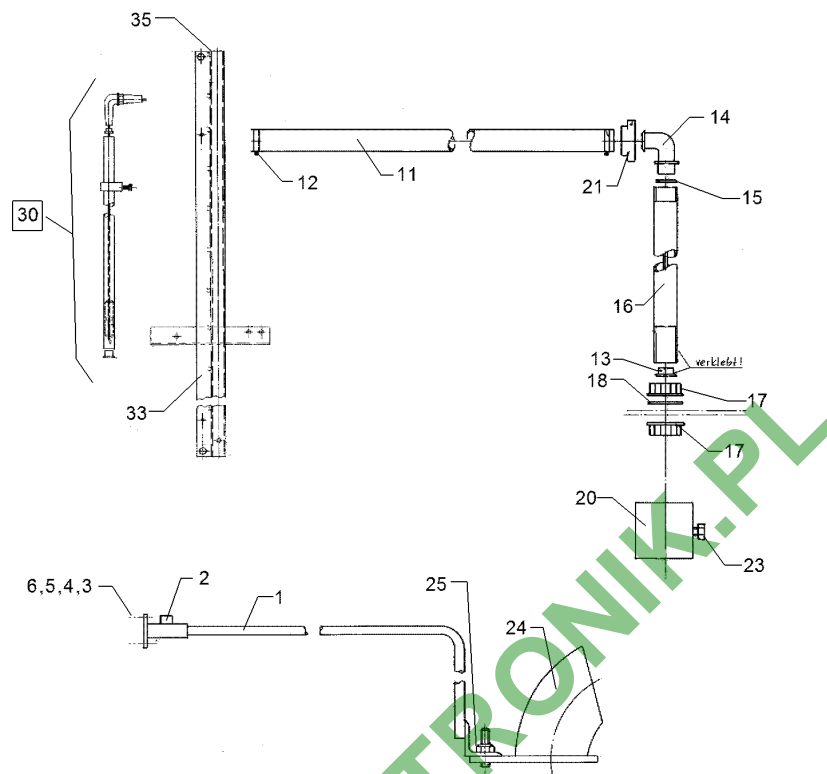
| Pos. | Art.Nr. | Stck. | Artikeltext / Description | Abmessung | |
|------|----------|-------|---------------------------|-------------------|---------------|
| 1 | F13 0380 | 1 | Behälterinnenreinigung | Interior cleaning | ET2600/3500 |
| 2 | F61 1906 | 3 | Dichtung | Seal | 33,0x2x21 |
| 3 | F61 2725 | 3 | Behälterreinigungsdüse | Cleaning nozzle | SYN |
| 12 | F55 0250 | 8 | Schutzkappe | Cap | bl 9mm |
| 13 | F61 2401 | 8 | Schlauchschelle | Hose clip | D12-D22x9 |
| 14 | F01 2487 | 1 | Schlauch | Hose | di16x4,8x650 |
| 15 | F01 2486 | 1 | Schlauch | Hose | 16i.x4,8x1550 |
| 16 | F01 2489 | 1 | Schlauch | Hose | 16i.x4,8x80 |
| 17 | F01 2488 | 1 | Schlauch | Hose | 16i.x4,8x480 |
| 18 | F01 1126 | 3 | Anschluss | Connection | G1/2 ZL 15 mm |

| | |
|-----------------------------|----------|
| Düse/Nozzle | 8 |
| EuroTrain 2600 TC / 3500 TC | F06 0298 |



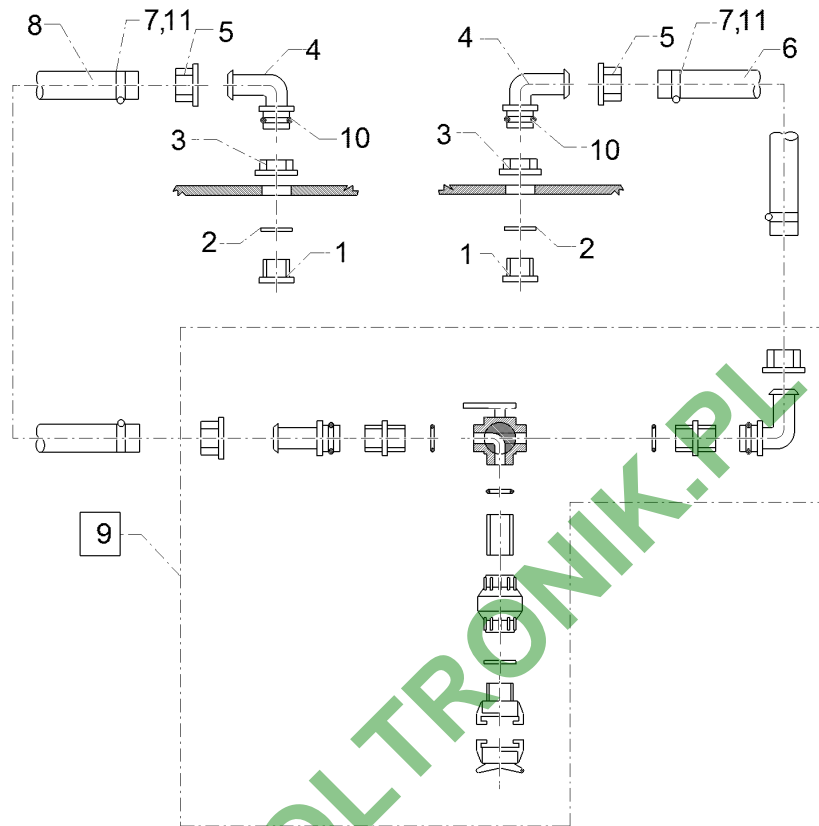
06.17

| Pos. | Art.Nr. | Stck. | Artikeltext / Description | Abmessung |
|------|----------|-------|---------------------------|------------|
| 1 | F02 0782 | 1 | Düse | Nozzle |
| 2 | F55 0196 | 3 | Kabelbinder | Cable clip |
| | | | | EL/ET |
| | | | | 4,8x178 |



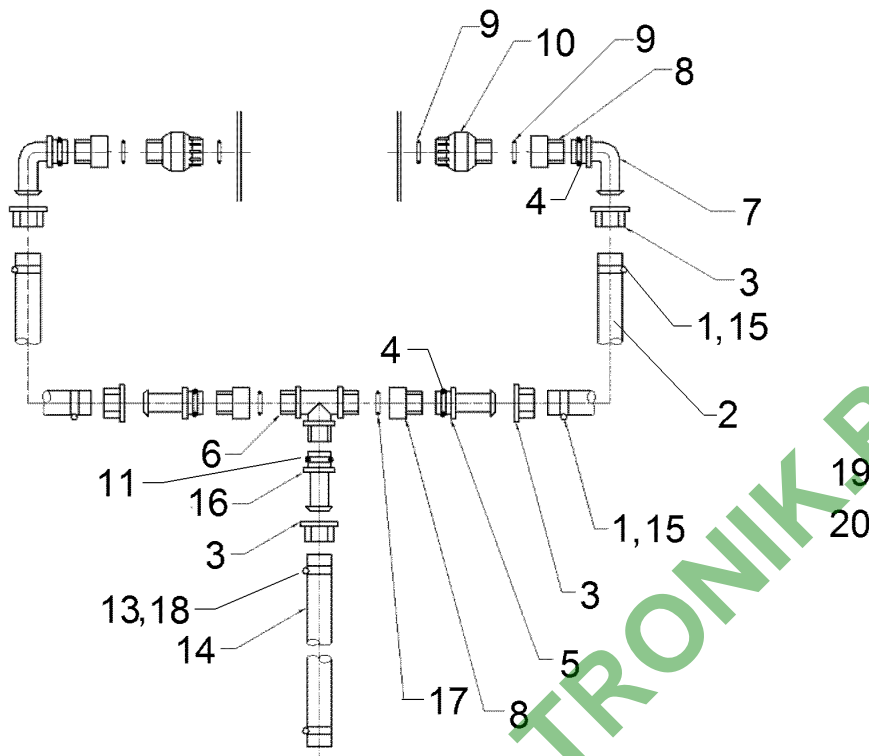
06.17

| Pos. | Art.Nr. | Stck. | Artikeltext / Description | Abmessung | |
|------|----------|-------|---------------------------|-----------------|-----------------|
| 1 | F02 0621 | 1 | Führung | Guiding | - |
| 2 | F02 0579 | 1 | Stäbeaufnahme | Holder | EL |
| 3 | 30110172 | 2 | Sechskantschraube | Hexagon bolt | M6x35-A2 DIN933 |
| 4 | 30310042 | 2 | Sicherungsmutter | Selflocking nut | NM6 DIN985-A4 |
| 5 | 305 8703 | 2 | Scheibe | Washer | 6,4 DIN9021 A2 |
| 6 | F61 1965 | 2 | Dichtring | Seal ring | M6 |
| 10 | F55 0250 | 2 | Schutzkappe | Cap | bl 9mm |
| 11 | F01 2142 | 1 | Wellrohr | Corrugated tube | 18i.x1520 |
| 12 | F61 2399 | 2 | Schlauchschelle | Hose clip | D16-D27x9 |
| 13 | F01 0938 | 1 | Stopfen | Plug | R. 22a.x1-2 bk |
| 14 | F61 0944 | 1 | Zapfen | Pivot | G3/4 ZL |
| 15 | F61 1951 | 1 | Dichtung | Seal | 14x24x2 PVC |
| 16 | F01 0937 | 1 | Distanzrohr | Distance tube | - |
| 17 | 37810670 | 2 | Mutter | Nut | G3/4ZLI |
| 18 | F61 1907 | 1 | Dichtung | Seal | 39,5x2,5x27,5 |
| 19 | F03 0346 | 1 | Füllstandsanzeige | Level control | ET2600 |
| 20 | F01 1506 | 1 | Schwimmer | Float | - |
| 21 | 37810578 | 1 | Überwurfmutter | Union nut | G3/4 ZL |
| 23 | F20 0129 | 1 | Sechskantschraube | Hexagon bolt | M10x40 |
| 24 | F03 0232 | 1 | Sauganschluss | Suction nipple | - |
| 25 | 30310043 | 2 | Sicherungsmutter | Selflocking nut | NM8 DIN985-A4 |
| 30 | F01 0936 | 1 | Stopfen | Plug | R. 15a.x1-2 bk |



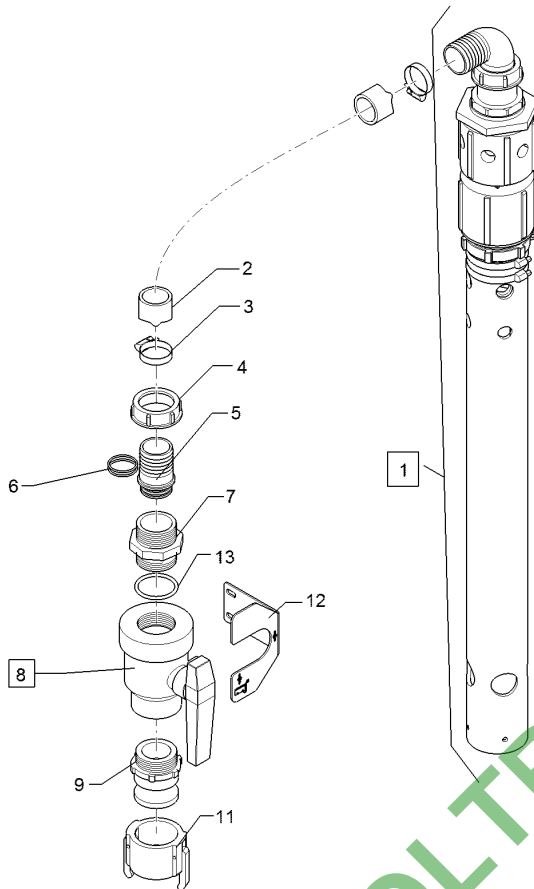
06.17

| Pos. | Art.Nr. | Stck. | Artikeltext / Description | Abmessung | |
|------|----------|-------|---------------------------|-----------------|------------------------|
| 1 | F61 0895 | 2 | Ablaufstutzen | Stud | G1-1/4ZLA |
| 2 | F61 1909 | 2 | Dichtung | Seal | 40x60x4 |
| 3 | 37810672 | 2 | Mutter | Nut | G1-1/4ZLI |
| 4 | F61 0851 | 2 | Schlauchanschluss | Hose connection | G1-1/4ZLÜ 90GRD D25 |
| 5 | 37810580 | 2 | Überwurfmutter | Union nut | G1-1/4 ZL |
| 6 | F11 1005 | 1 | Schlauch | Hose | di25x3,5x2700 |
| 7 | F61 2400 | 4 | Schlauchschelle | Hose clip | D20-D32x9 |
| 8 | F11 1004 | 1 | Schlauch | Hose | di25x3,5x3400 |
| 9 | F02 1895 | 1 | Hahngruppe | --- | ET |
| 10 | 37810281 | 2 | O-Ring | O-ring | 26,7x2,6 |
| 11 | F55 0250 | 4 | Schutzkappe | Cap | bl 9mm |
| 12 | F01 2295 | 3 | Schutzschlauch | Guard for hoses | 75i.x250 |
| 13 | F55 0197 | 6 | Kabelbinder | Cable clip | 7,8x360 |



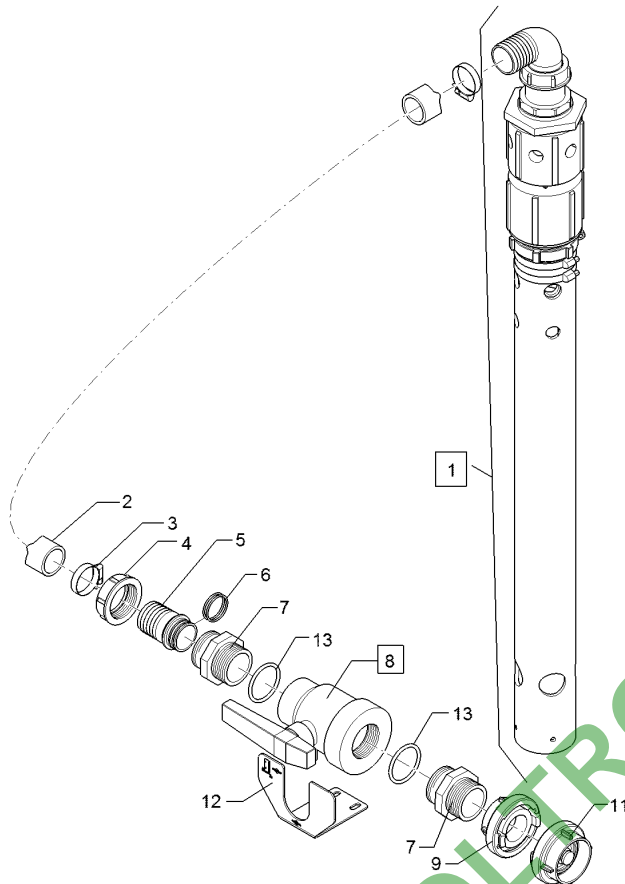
06.17

| Pos. | Art.Nr. | Stck. | Artikeltext / Description | Abmessung | |
|------|----------|-------|---------------------------|-----------------|------------------------|
| 1 | F61 2402 | 4 | Schlauchschelle | Hose clip | D25-D40x9 |
| 2 | F11 1007 | 2 | Schlauch | Hose | di32x4,2x2900 |
| 3 | 37810581 | 4 | Überwurfmutter | Union nut | G1-1/2 ZL |
| 4 | 37810283 | 4 | O-Ring | O-ring | 29,2x3 |
| 5 | F61 0833 | 2 | Schlauchanschluss | Hose connection | G1-1/2ZLÜ 0GRD D32 |
| 6 | F61 1408 | 1 | T-Stück | T-piece | G2ZLA |
| 7 | F61 0855 | 2 | Schlauchanschluss | Hose connection | G1-1/2ZLÜ 90GRD D32 |
| 8 | 37810433 | 4 | Adapter | Adapter | G2 ZLI G1 1/2 ZLA |
| 9 | F61 2276 | 4 | O-Ring | O-ring | 55x4 |
| 10 | F02 1220 | 2 | Rückschlagventil | Nonreturn valve | G2 ZL ET |
| 11 | 37810275 | 2 | O-Ring | O-ring | 39,3x2,6 |
| 12 | 37810582 | 1 | Überwurfmutter | Union nut | G2 ZL |
| 13 | F61 2404 | 2 | Schlauchschelle | Hose clip | D40-D60x12 |
| 14 | F01 2611 | 1 | Schlauch | Hose | 50i.x5,7x1500 |
| 15 | F55 0250 | 4 | Schutzkappe | Cap | bl 9mm |
| 16 | F61 0837 | 1 | Schlauchanschluss | Hose connection | G2ZLÜ 0GRD D50 |
| 17 | F61 2039 | 2 | O-Ring | O-ring | 55x5 |
| 18 | F55 0251 | 2 | Schutzkappe | Cap | 12 mm bl |
| 19 | F55 0197 | 20 | Kabelbinder | Cable clip | 7,8x360 |
| 20 | F01 2295 | 10 | Schutzschlauch | Guard for hoses | 75i.x250 |



06.17

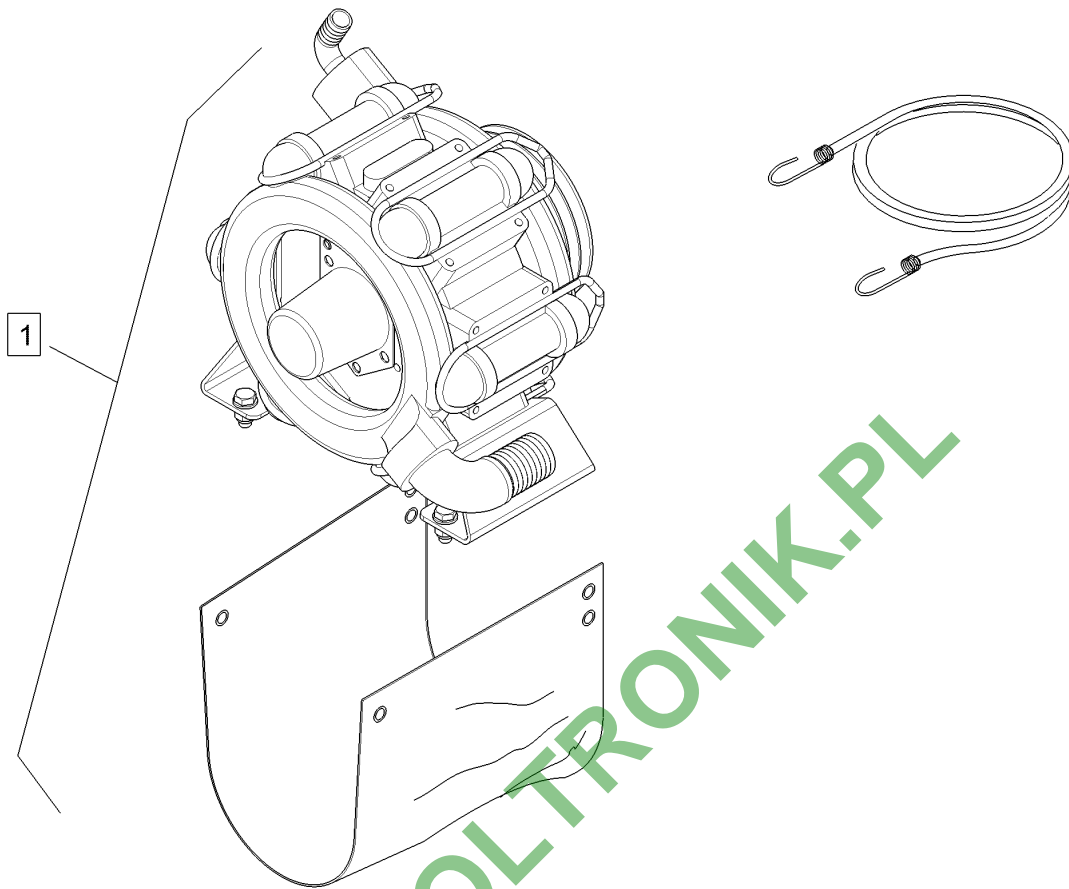
| Pos. | Art.Nr. | Stck. | Artikeltext / Description | Abmessung | |
|------|----------|-------|---------------------------|----------------------|----------------|
| 1 | F02 1791 | 1 | Hydrantbefülldom | Hydrant filling dome | G2 ZL ET |
| 2 | F01 2365 | 1 | Schlauch | Hose | 50i.x5,7x3000 |
| 3 | F61 2404 | 2 | Schlauchschelle | Hose clip | D40-D60x12 |
| 4 | 37810582 | 1 | Überwurfmutter | Union nut | G2 ZL |
| 5 | F61 0837 | 1 | Schlauchanschluss | Hose connection | G2ZLÜ 0GRD D50 |
| 6 | 37810275 | 2 | O-Ring | O-ring | 39,3x2,6 |
| 7 | 37810478 | 1 | Adapter | Adapter | G2ZLA G2ZLA |
| 8 | F61 0137 | 1 | Kugelventil | Ball valve | 2/2 G2ZLI |
| 9 | F61 1335 | 1 | Kupplung | Coupling | G2 ZL |
| 10 | F55 0251 | 2 | Schutzkappe | Cap | 12 mm bl |
| 11 | F61 1337 | 1 | Kappe | Cap | 2ZLI |
| 12 | F50 0138 | 1 | Beschriftungsplatte | Plate | - |
| 13 | F61 2039 | 1 | O-Ring | O-ring | 55x5 |



06.17

| Pos. | Art.Nr. | Stck. | Artikeltext / Description | | Abmessung |
|------|----------|-------|---------------------------|----------------------|-------------------|
| 1 | F02 1791 | 1 | Hydrantbefülldom | Hydrant filling dome | G2 ZL ET |
| 2 | F01 2365 | 1 | Schlauch | Hose | 50i.x5,7x3000 |
| 3 | F61 2404 | 2 | Schlauchschelle | Hose clip | D40-D60x12 |
| 4 | 37810582 | 1 | Überwurfmutter | Union nut | G2 ZL |
| 5 | F61 0837 | 1 | Schlauchanschluss | Hose connection | G2ZLÜ 0GRD D50 |
| 6 | 37810275 | 2 | O-Ring | O-ring | 39,3x2,6 |
| 7 | 37810478 | 2 | Adapter | Adapter | G2ZLA G2ZLA |
| 8 | F61 0137 | 1 | Kugelventil | Ball valve | 2/2 G2ZLI |
| 9 | F61 1380 | 1 | C-Kupplung | C-coupling | G2 ZL i. DIN14307 |
| 10 | F55 0251 | 2 | Schutzkappe | Cap | 12 mm bl |
| 11 | F61 1381 | 1 | C-Blindkupplung | C-dummy coupling | DIN14311 |
| 12 | F50 0138 | 1 | Beschriftungsplatte | Plate | - |
| 13 | F61 2039 | 2 | O-Ring | O-ring | 55x5 |

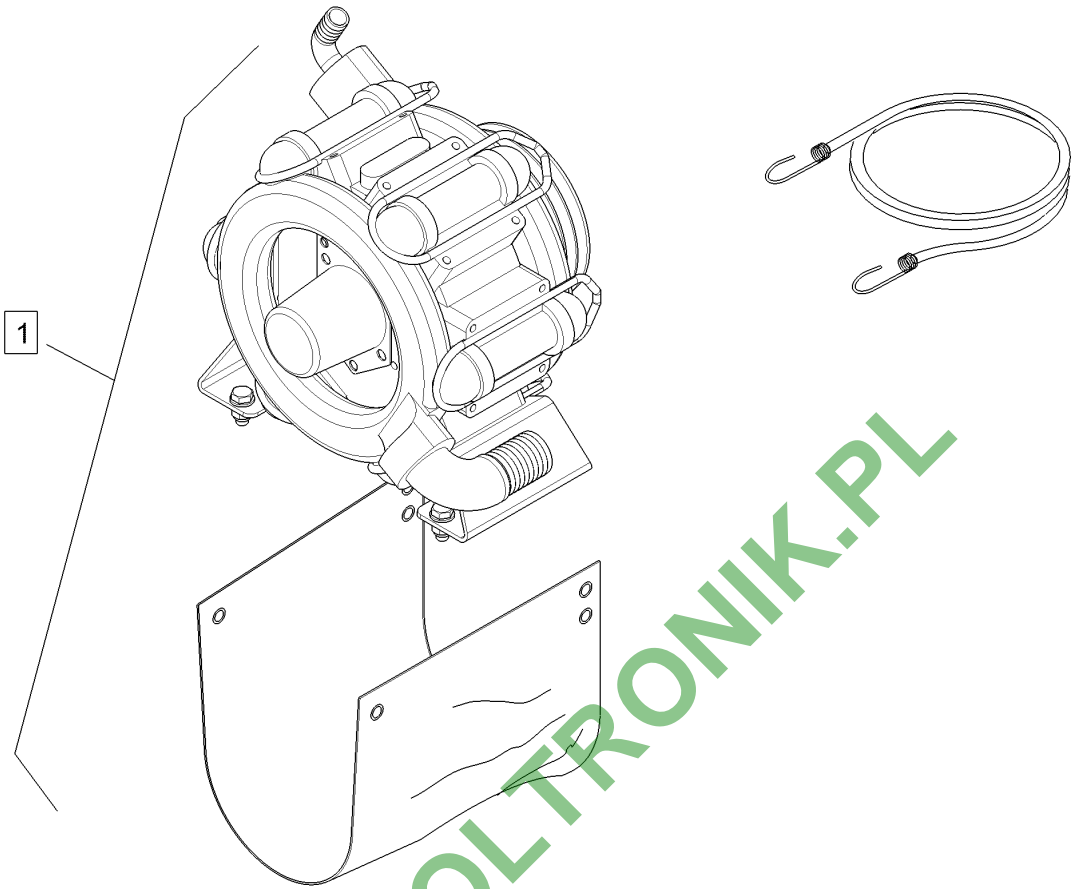
| | |
|-----------------------------|----------|
| Pumpe/Pump | 8 |
| EuroTrain 2600 TC / 3500 TC | F06 0429 |



06.17

| Pos. | Art.Nr. | Stck. | Artikeltext / Description | Abmessung |
|------|----------|-------|---------------------------|--------------|
| 1 | F04 0176 | 1 | Pumpe Pump | BP235 KPL ET |

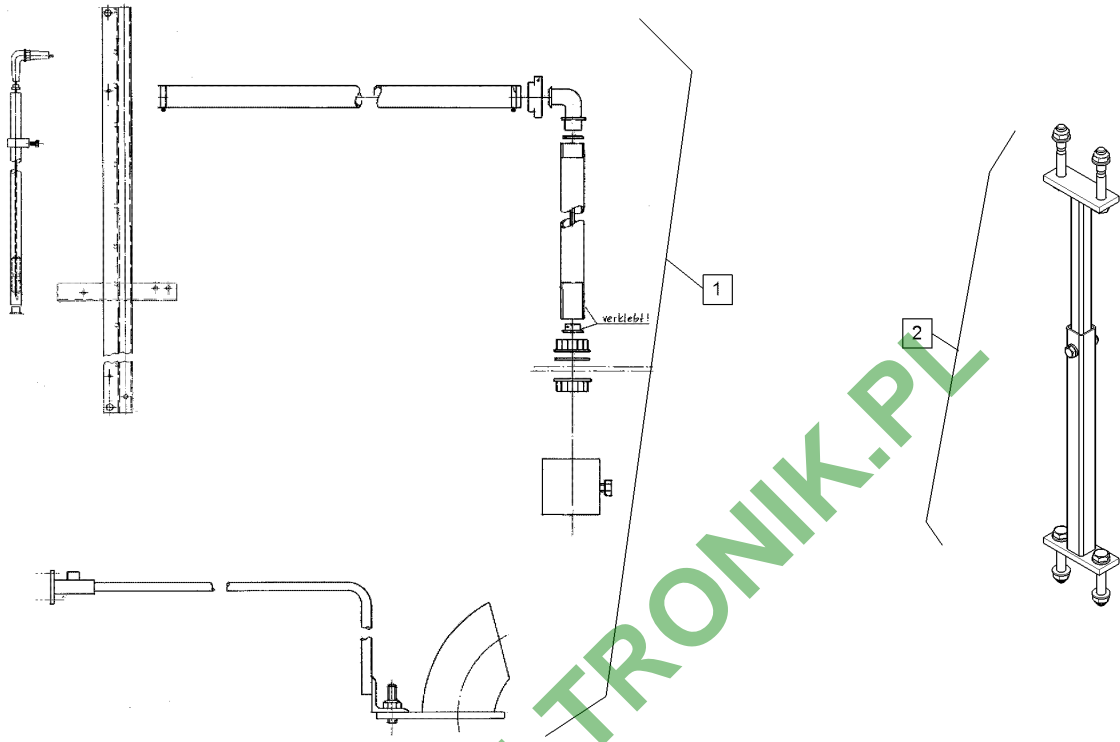
| | |
|-----------------------------|----------|
| Pumpe/Pump | 8 |
| EuroTrain 2600 TC / 3500 TC | F06 0430 |



06.17

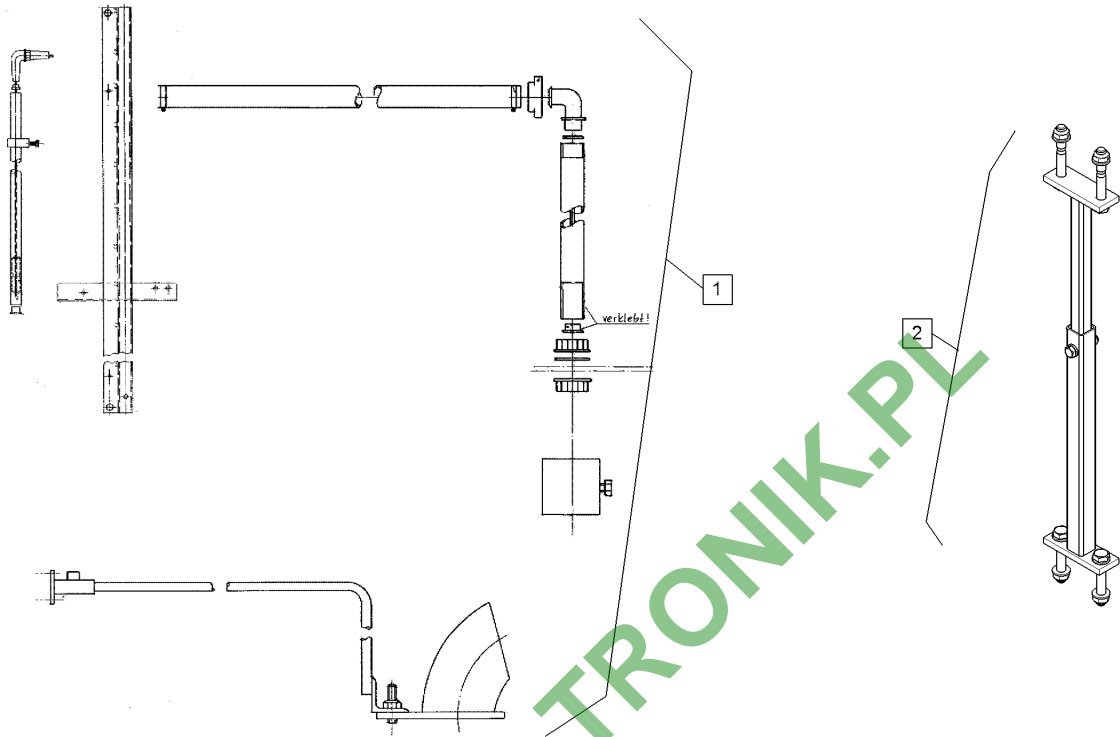
| Pos. | Art.Nr. | Stck. | Artikeltext / Description | Abmessung |
|------|----------|-------|---------------------------|--------------|
| 1 | F04 0175 | 1 | Pumpe Pump | BP280 KPL ET |

| | |
|---------------------------------|----------|
| Füllstandsanzeige/Level control | 8 |
| EuroTrain 2600 TC / 3500 TC | F06 0446 |



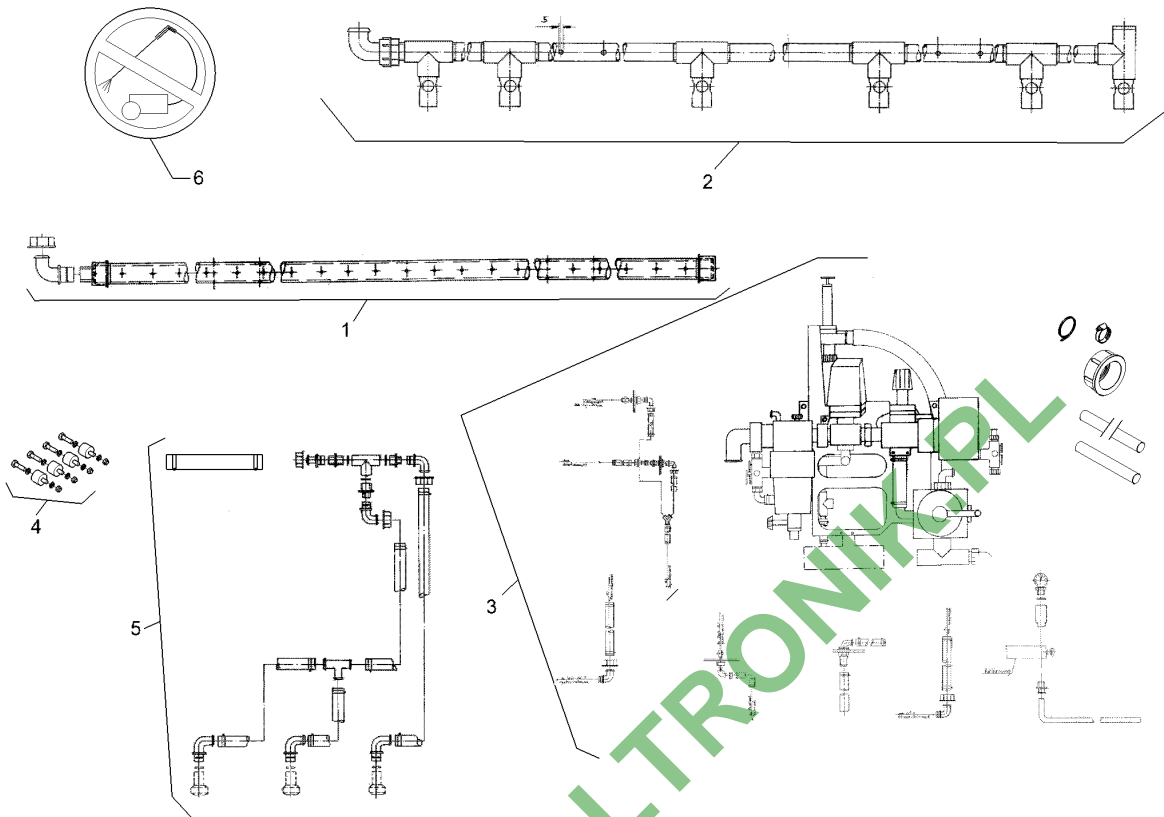
06.17

| Pos. | Art.Nr. | Stck. | Artikeltext / Description | Abmessung |
|------|----------|-------|---------------------------|-----------|
| 1 | F06 0311 | 1 | Seilführung | ET2600 |
| 2 | F06 1833 | 1 | Abstrebung | EuroTrain |



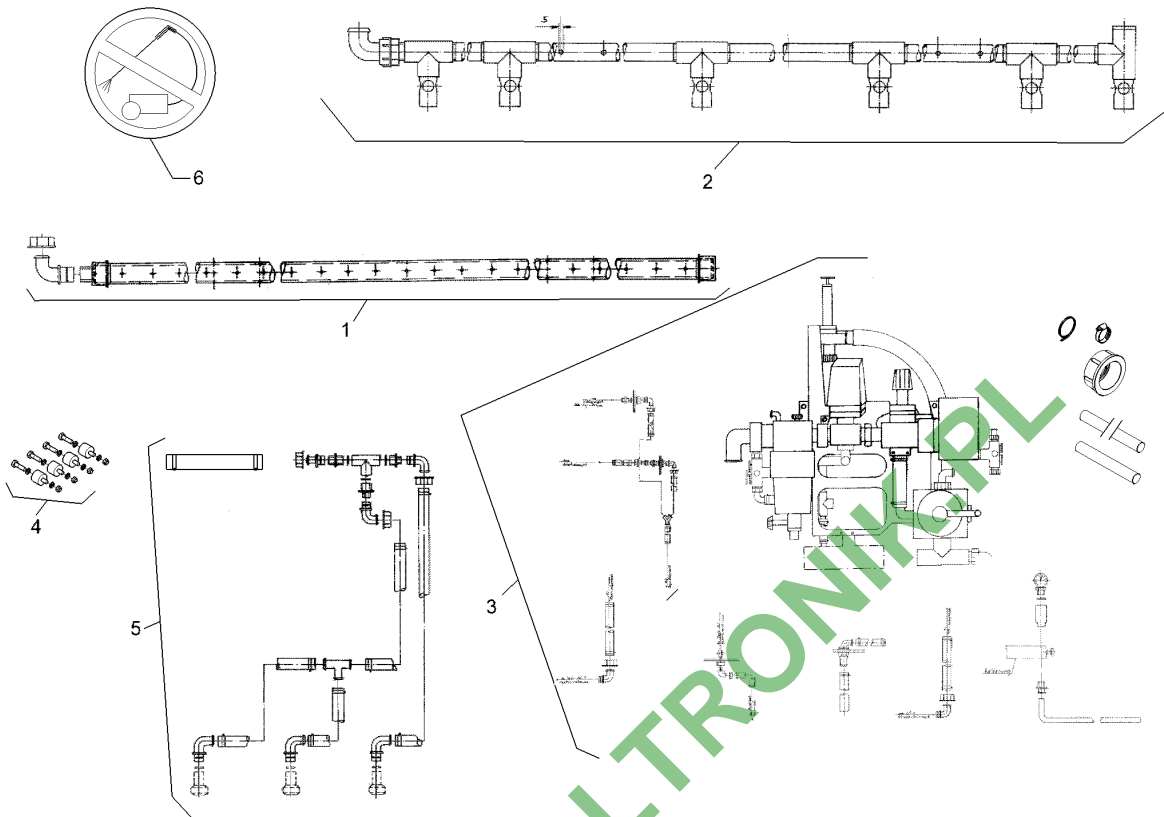
06.17

| Pos. | Art.Nr. | Stck. | Artikeltext / Description | Abmessung |
|------|----------|-------|---------------------------|-----------|
| 1 | F06 2346 | 1 | Seilführung | ET5000 |
| 2 | F06 1833 | 1 | Abstrebung | EuroTrain |
| | | | Guiding | |
| | | | Support | |



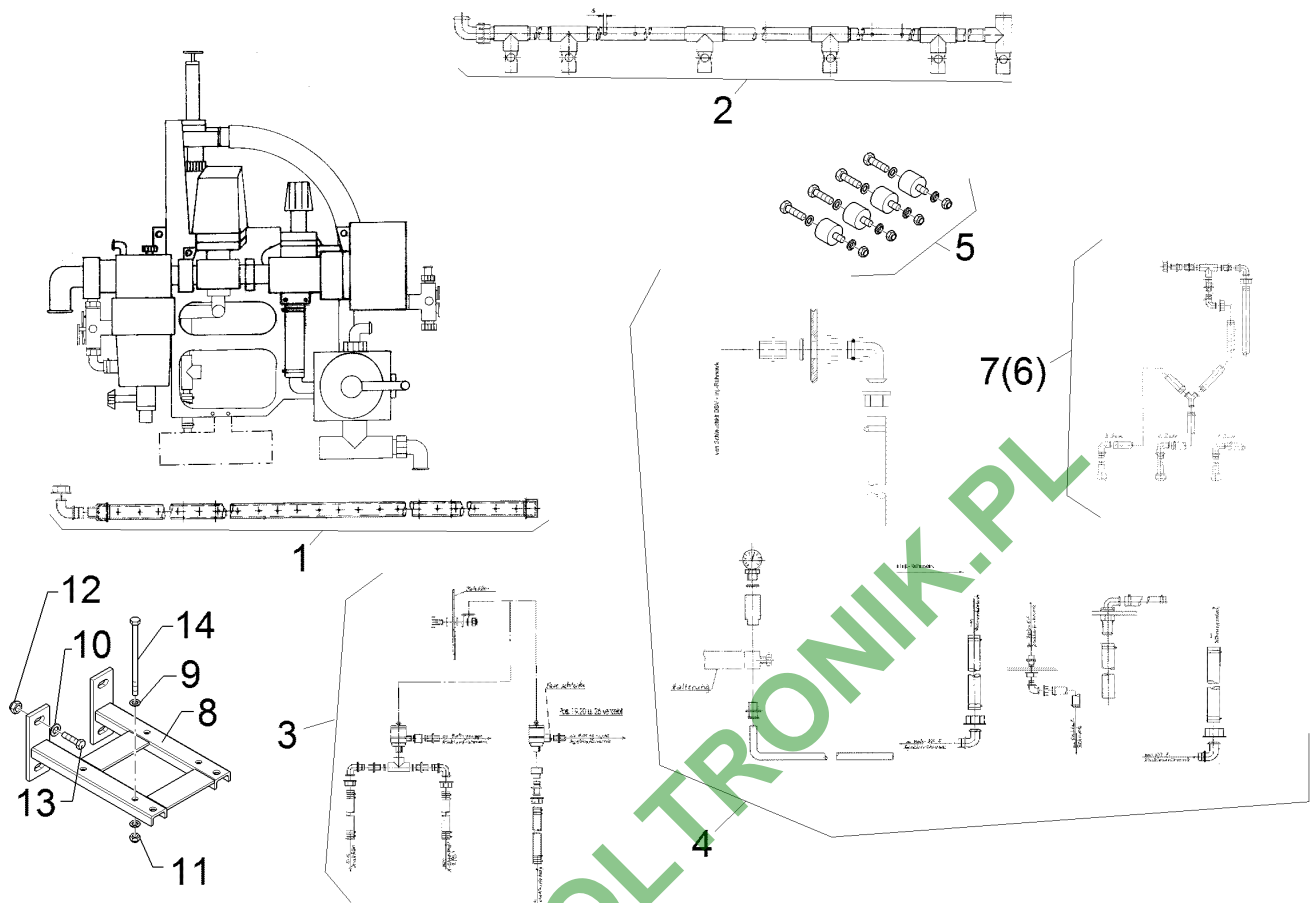
06.17

| Pos. | Art.Nr. | Stck. | Artikeltext / Description | Abmessung | |
|------|----------|-------|---------------------------|-----------------------|-----------------------------|
| 1 | F02 1229 | 1 | Rücklaufrührwerk | Agitator | ET2600 |
| 2 | F02 1230 | 1 | Injektorrührwerk | Injector agitator | ET2600 |
| 3 | F06 0708 | 1 | Armaturengruppe | Control center | HFR ET |
| 4 | F06 0711 | 1 | Verbindungsset | 90 GRD | ECO/ET |
| 5 | F06 0714 | 1 | Innenreinigung | Internal cleaning set | ET2600 |
| 6 | 390 0516 | 1 | Aufkleber Warnbildzeichen | Warning Label | nicht mit Hochdruckreiniger |



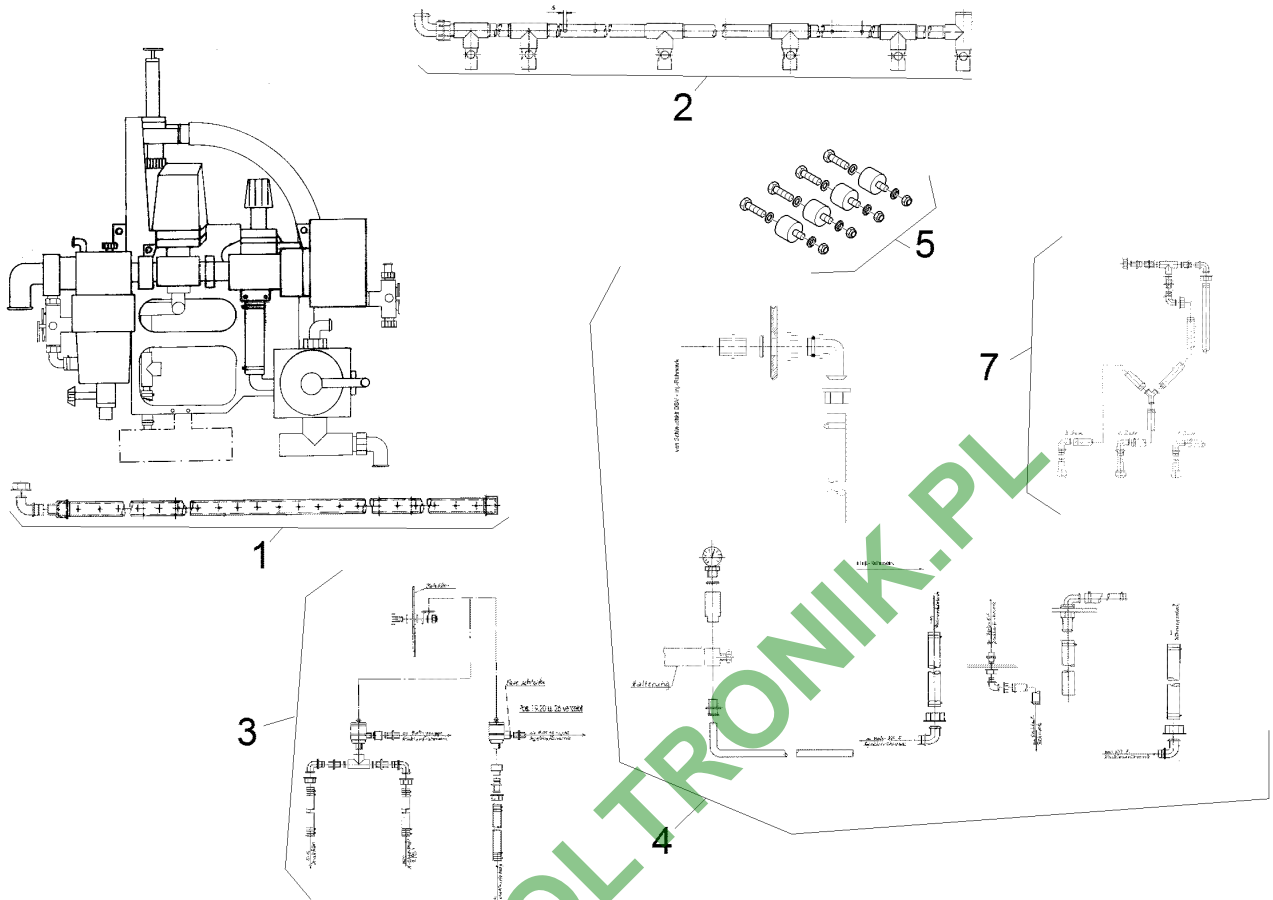
06.17

| Pos. | Art.Nr. | Stck. | Artikeltext / Description | Abmessung | |
|------|----------|-------|---------------------------|-----------------------|-----------------------------|
| 1 | F02 1272 | 1 | Rücklaufrührwerk | Agitator | ET3500 |
| 2 | F02 1267 | 1 | Injektorrührwerk | Injector agitator | ET3500 |
| 3 | F06 0708 | 1 | Armaturengruppe | Control center | HFR ET |
| 4 | F06 0711 | 1 | Verbindungsset | 90 GRD | ECO/ET |
| 5 | F06 0716 | 1 | Innenreinigung | Internal cleaning set | ET3500 |
| 6 | 390 0516 | 1 | Aufkleber Warnbildzeichen | Warning Label | nicht mit Hochdruckreiniger |



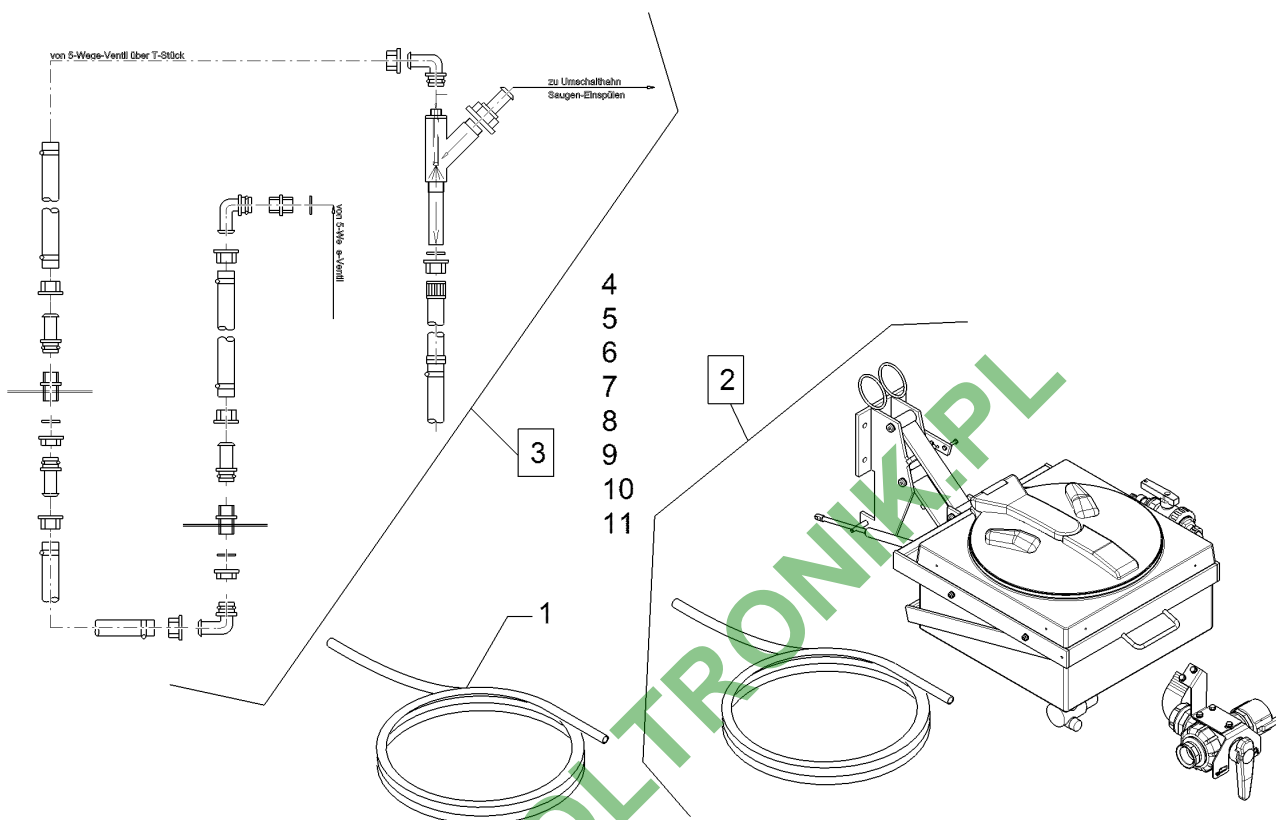
06.17

| Pos. | Art.Nr. | Stck. | Artikeltext / Description | Abmessung | |
|------|----------|-------|---------------------------|-----------------------|------------------|
| 1 | F02 1229 | 1 | Rücklaufrührwerk | Agitator | ET2600 |
| 2 | F02 1230 | 1 | Injektorrührwerk | Injector agitator | ET2600 |
| 3 | F02 1882 | 1 | Kit | Set | - |
| 4 | F06 0709 | 1 | Armaturengruppe | Control center | ET |
| 5 | F06 0711 | 1 | Verbindungs kit | 90 GRD | ECO/ET |
| 6 | F06 0714 | 1 | Innenreinigung | Internal cleaning set | ET2600 |
| 7 | F06 0716 | 1 | Innenreinigung | Internal cleaning set | ET3500 |
| 8 | F12 0016 | 1 | Halter | Holder | ET2600 |
| 9 | 305 8695 | 8 | Scheibe | Washer | A8,4 DIN125 A2 |
| 10 | 305 8709 | 4 | Scheibe | Washer | 13 DIN125-A A2 |
| 11 | 30310043 | 4 | Sicherungsmutter | Selflocking nut | NM8 DIN985-A4 |
| 12 | 30310030 | 4 | Sicherungsmutter | Selflocking nut | NM12 DIN985-A4 |
| 13 | 30110147 | 4 | Sechskantschraube | Hexagon bolt | M12x45-A2 DIN933 |
| 14 | 30110098 | 4 | Sechskantschraube | Hexagon bolt | M8x150-A2 DIN931 |



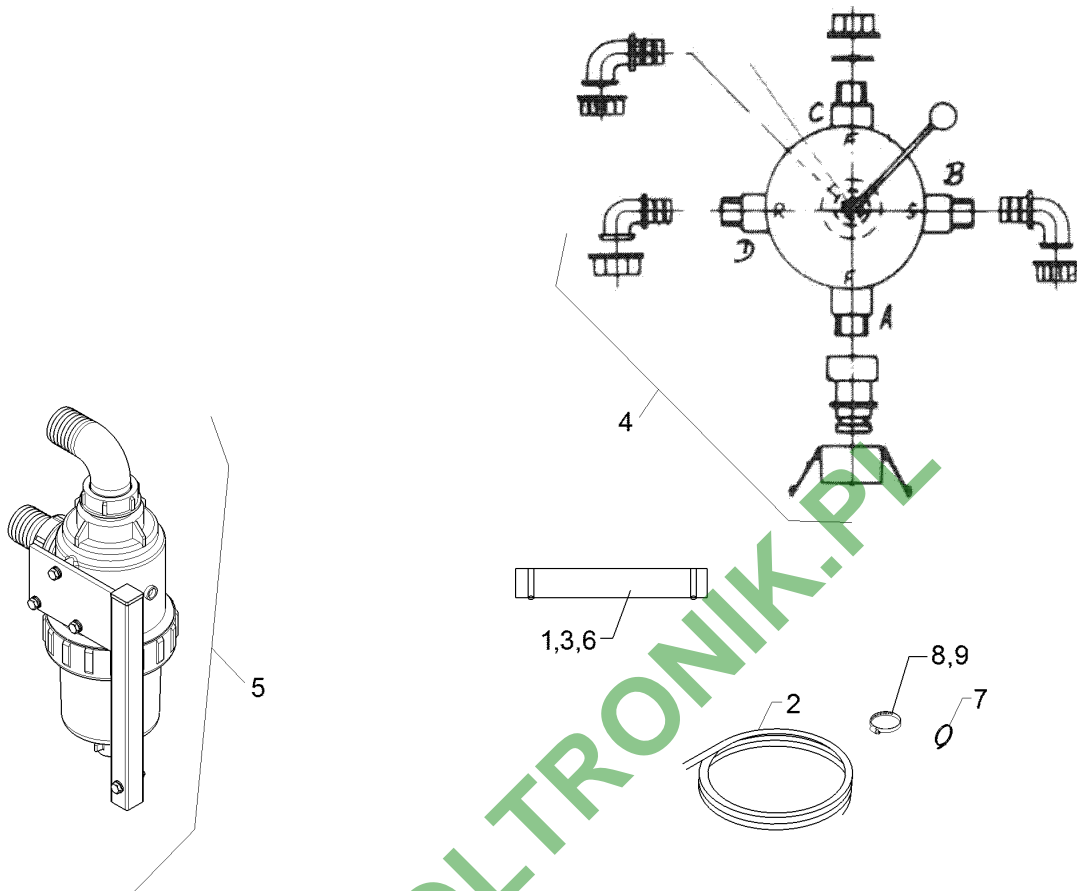
06.17

| Pos. | Art.Nr. | Stck. | Artikeltext / Description | Abmessung |
|------|----------|-------|---------------------------|-----------------------|
| 1 | F02 1272 | 1 | Rücklaufrührwerk | Agitator |
| 2 | F02 1267 | 1 | Injektorrührwerk | Injector agitator |
| 3 | F03 0610 | 1 | Kit | Set |
| 4 | F06 0709 | 1 | Armaturengruppe | Control center |
| 5 | F06 0711 | 1 | VerbindungsKit | 90 GRD |
| 7 | F06 0716 | 1 | Innenreinigung | Internal cleaning set |
| | | | | ET3500 |
| | | | | ET3500 |
| | | | | - |
| | | | | ET |
| | | | | ECO/ET |
| | | | | ET3500 |



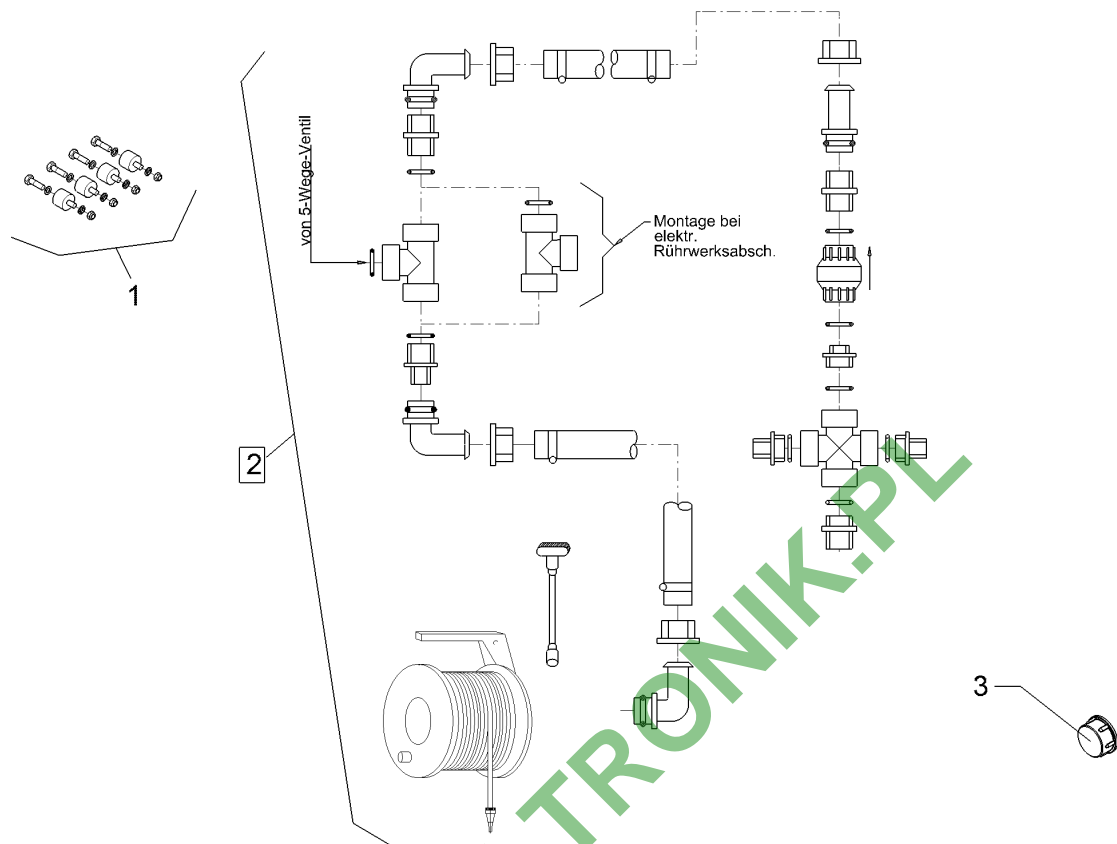
06.17

| Pos. | Art.Nr. | Stck. | Artikeltext / Description | | Abmessung |
|------|----------|-------|---------------------------|-----------------|------------------------|
| 1 | F01 2785 | 1 | Verbindungsschlauch | Connecting hose | 25i.x7x2000 |
| 2 | F03 0403 | 1 | Injektorbehälter | Injector tank | ET |
| 3 | F06 0154 | 1 | Super-Injektor | Super-Injector | ET |
| 4 | F55 0250 | 2 | Schutzkappe | Cap | bl 9mm |
| 5 | F61 0854 | 2 | Schlauchanschluss | Hose connection | G1-1/2ZLÜ 90GRD D25 |
| 6 | 37810580 | 2 | Überwurfmutter | Union nut | G1-1/4 ZL |
| 7 | 37810672 | 1 | Mutter | Nut | G1-1/4ZLI |
| 8 | F61 1909 | 1 | Dichtung | Seal | 40x60x4 |
| 9 | 37810281 | 2 | O-Ring | O-ring | 26,7x2,6 |
| 10 | F61 2402 | 2 | Schlauchschelle | Hose clip | D25-D40x9 |
| 11 | 37810484 | 1 | Adapter | Adapter | G1-1/4ZLA G1-1/4ZLA |



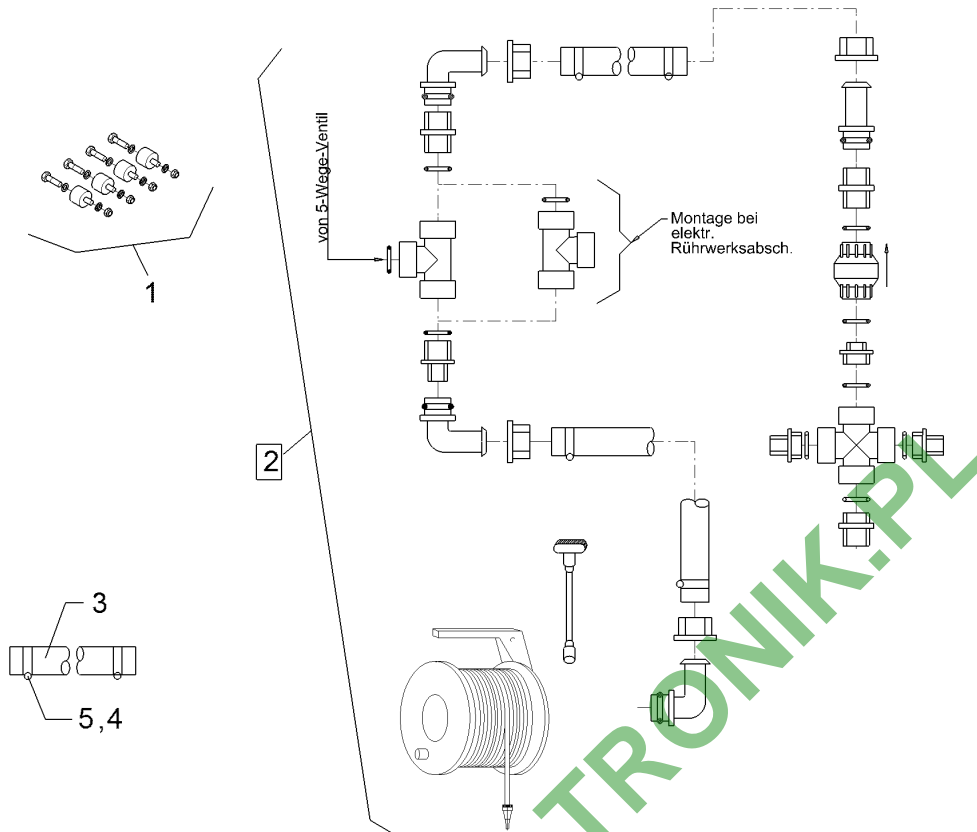
06.17

| Pos. | Art.Nr. | Stck. | Artikeltext / Description | Abmessung | |
|------|----------|-------|---------------------------|-----------------|--------------|
| 1 | F01 2810 | 1 | Schlauch | Hose | 50i.x5,7x550 |
| 2 | F01 2295 | 15 | Schutzschlauch | Guard for hoses | 75i.x250 |
| 3 | F01 2811 | 1 | Schlauch | Hose | di50x5,7x720 |
| 4 | F02 1188 | 1 | Ventil | Valve | 5/.. ET |
| 5 | F03 0344 | 1 | Saugfilter | Suction filter | KPL ET |
| 6 | F11 0867 | 1 | Schlauch | Hose | di50x5,7x280 |
| 7 | F55 0197 | 20 | Kabelbinder | Cable clip | 7,8x360 |
| 8 | F55 0251 | 6 | Schutzkappe | Cap | 12 mm bl |
| 9 | F61 2404 | 6 | Schlauchschelle | Hose clip | D40-D60x12 |



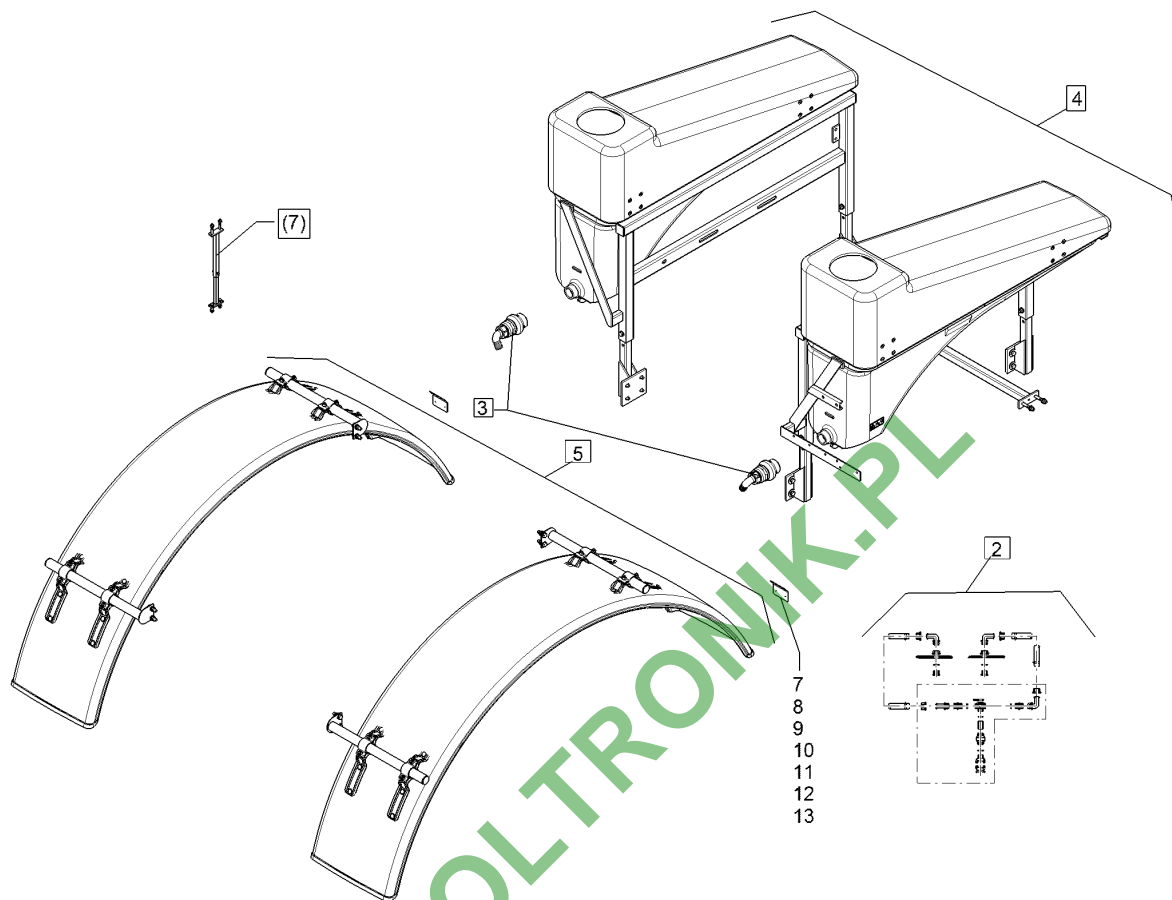
06.17

| Pos. | Art.Nr. | Stck. | Artikeltext / Description | Abmessung |
|------|----------|-------|---------------------------|----------------|
| 1 | F06 0724 | 1 | Befestigungssatz | ECO/ET |
| 2 | F06 1857 | 1 | Außenreinigung | ET |
| 3 | F55 0183 | 1 | Stopfen | G11/4 ZL i. rd |



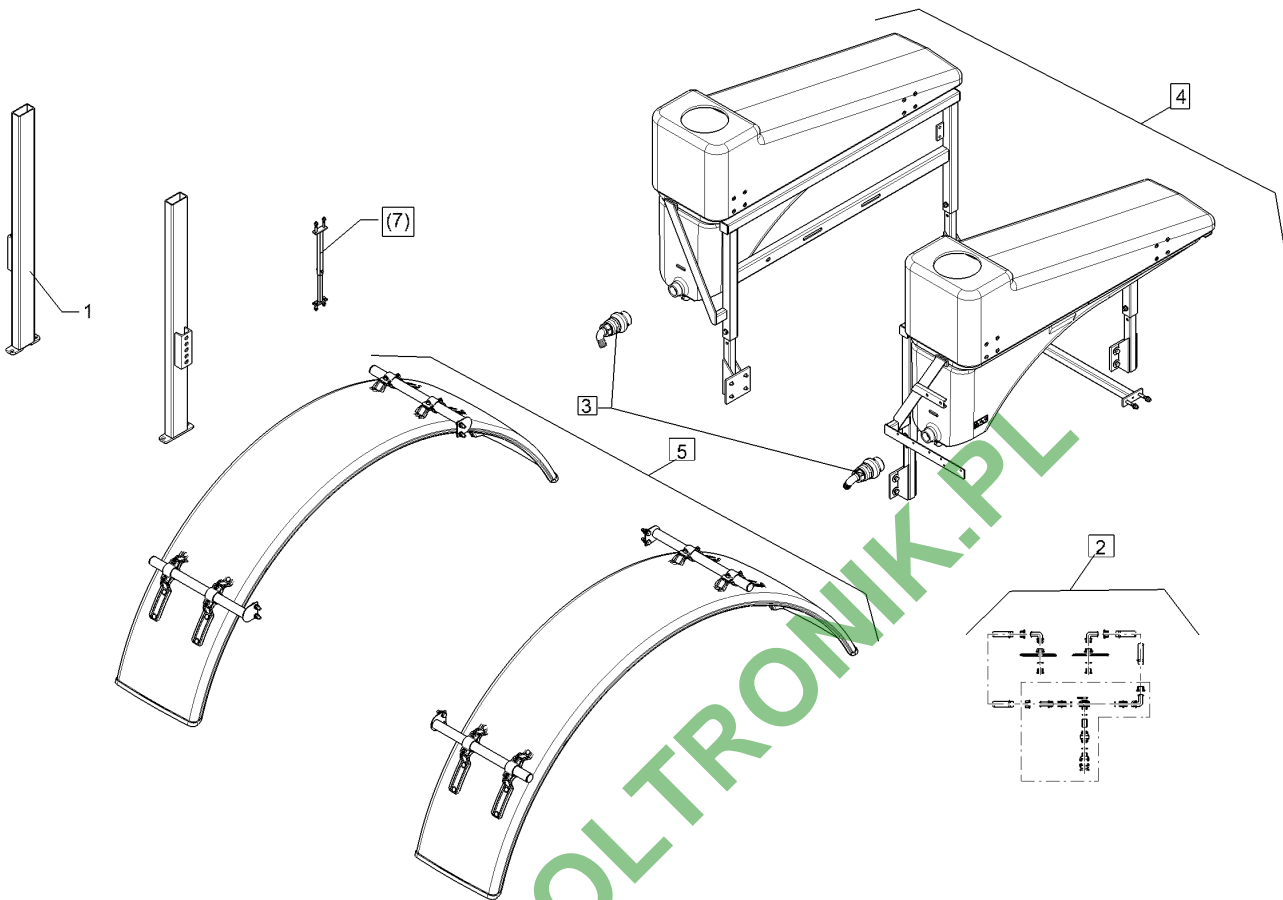
06.17

| Pos. | Art.Nr. | Stck. | Artikeltext / Description | Abmessung |
|------|----------|-------|---------------------------|--------------|
| 1 | F06 0724 | 1 | Befestigungssatz | ECO/ET |
| 2 | F06 1857 | 1 | Außenreinigung | ET |
| 3 | F01 3637 | 1 | Schlauch | di32x4,2x380 |
| 4 | F55 0250 | 2 | Schutzkappe | bl 9mm |
| 5 | F61 2402 | 2 | Schlauchselle | D25-D40x9 |



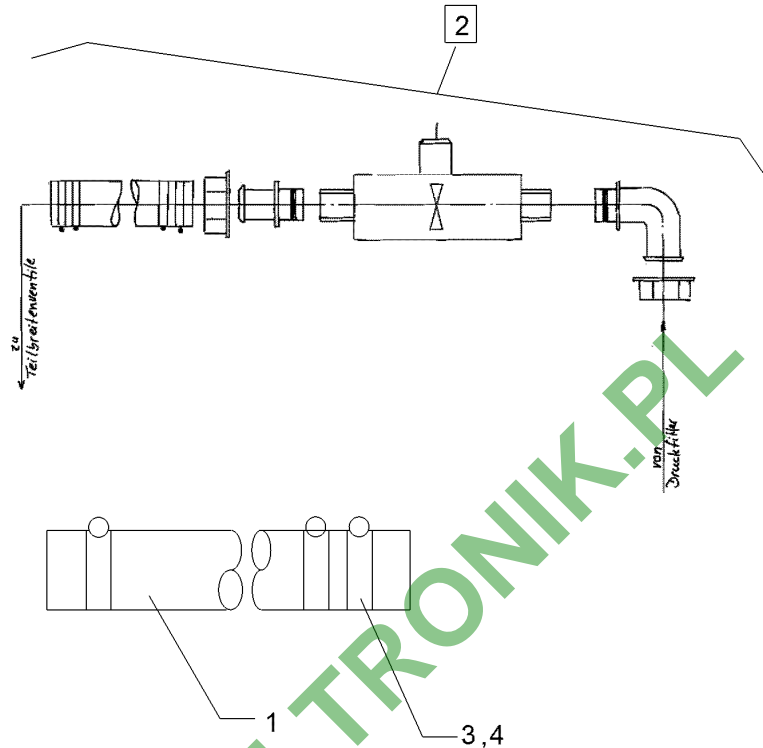
06.17

| Pos. | Art.Nr. | Stck. | Artikeltext / Description | Abmessung | |
|------|----------|-------|---------------------------|--------------------|-----------------|
| 2 | F13 0534 | 1 | Füllanschluss | Filling connection | ET2600 |
| 3 | F13 0535 | 1 | VerbindungsKit | 90 GRD | ET2600 |
| 4 | F06 0727 | 1 | Klarwasserbehälter | Clean water tank | 2x280 ET |
| 5 | F06 0730 | 1 | Kotflügel | Mud guard | ET2600 |
| 6 | F06 1448 | 1 | Abstrebung | Support | EuroTrain |
| 7 | F11 1504 | 2 | Halter | Holder | 90x2x90 40GRD |
| 8 | 30110559 | 4 | Zylinderschraube | Allen screw | 2xd7 2xd4,5 |
| 9 | 30510075 | 8 | Scheibe | Washer | M4x16-A2 DIN84 |
| 10 | 305 8702 | 4 | Scheibe | Washer | 4,3 DIN125 A2 |
| 11 | 301 7513 | 4 | Sechskantschraube | Hexagon bolt | 6,4 DIN125-A A2 |
| 12 | 30310040 | 4 | Sicherungsmutter | Selflocking nut | M6x16-A2 DIN933 |
| 13 | 30310042 | 4 | Sicherungsmutter | Selflocking nut | NM4 DIN985-A4 |
| | | | | | NM6 DIN985-A4 |



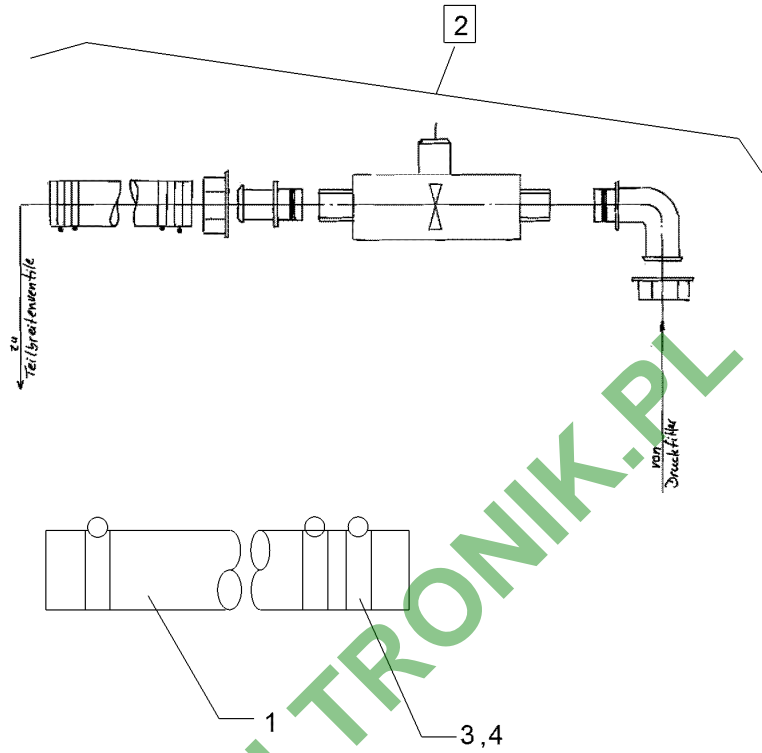
06.17

| Pos. | Art.Nr. | Stck. | Artikeltext / Description | Abmessung | |
|------|----------|-------|---------------------------|--------------------|---------------|
| 1 | F03 0386 | 2 | Stütze | Support | 100x50x6x1290 |
| 2 | F06 0315 | 1 | Füllanschluss | Filling connection | ET3500 |
| 3 | F06 0316 | 1 | VerbindungsKit | 90 GRD | ET3500 |
| 4 | F06 0727 | 1 | Klarwasserbehälter | Clean water tank | 2x280 ET |
| 5 | F06 0737 | 1 | Kotflügel | Mud guard | ET3500 |
| 6 | F06 1448 | 1 | Abstrebung | Support | EuroTrain |



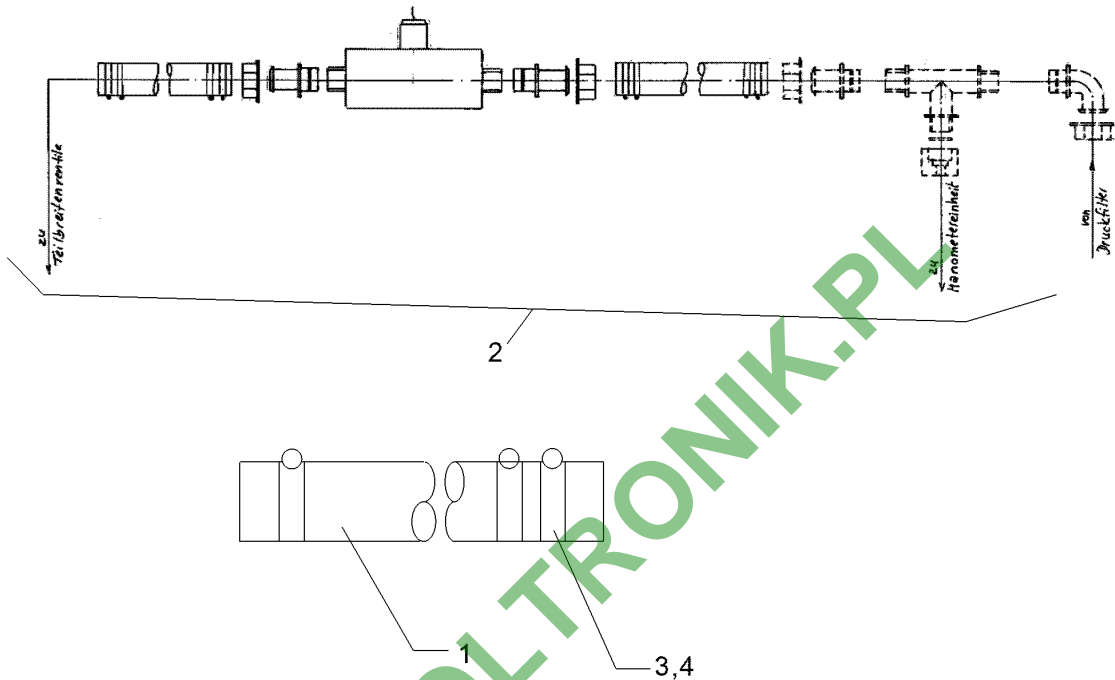
06.17

| Pos. | Art.Nr. | Stck. | Artikeltext / Description | Abmessung | |
|------|----------|-------|---------------------------|-----------|----------------|
| 1 | F01 2814 | 1 | Schlauch | Hose | 32i.x6,25x1200 |
| 2 | F06 0955 | 1 | Durchflussmesser | Flowmeter | 1 ZL KPL ET |
| 3 | F61 4261 | 4 | Schlauchschelle | Hose clip | D30-D45x9 W4 |
| 4 | F55 0250 | 4 | Schutzkappe | Cap | bl 9mm |



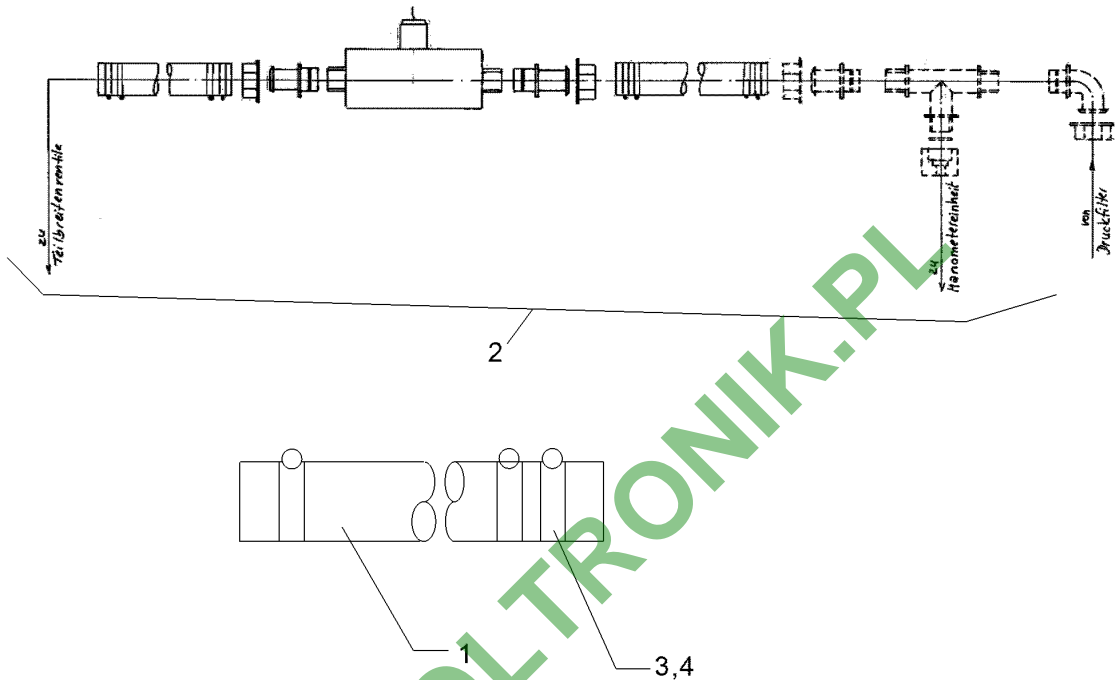
06.17

| Pos. | Art.Nr. | Stck. | Artikeltext / Description | Abmessung | |
|------|----------|-------|---------------------------|-----------|----------------|
| 1 | F01 2507 | 1 | Schlauch | Hose | 32i.x6,25x2100 |
| 2 | F06 0955 | 1 | Durchflussmesser | Flowmeter | 1 ZL KPL ET |
| 3 | F61 4261 | 4 | Schlauchschelle | Hose clip | D30-D45x9 W4 |



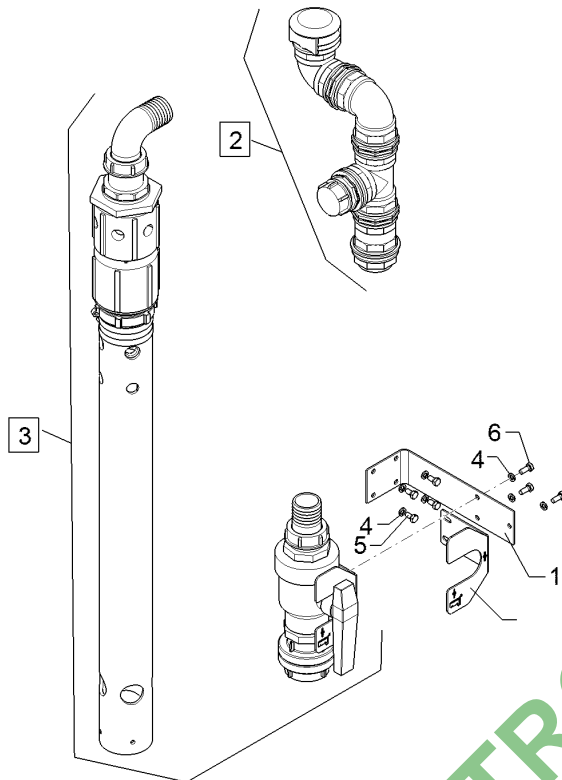
06.17

| Pos. | Art.Nr. | Stck. | Artikeltext / Description | Abmessung | |
|------|----------|-------|---------------------------|-----------|----------------|
| 1 | F01 2814 | 1 | Schlauch | Hose | 32i.x6,25x1200 |
| 2 | F06 0956 | 1 | Durchflussmesser | Flowmeter | 1 ZL KPL ET |
| 3 | F55 0250 | 4 | Schutzkappe | Cap | bl 9mm |
| 4 | F61 4261 | 4 | Schlauchschelle | Hose clip | D30-D45x9 W4 |



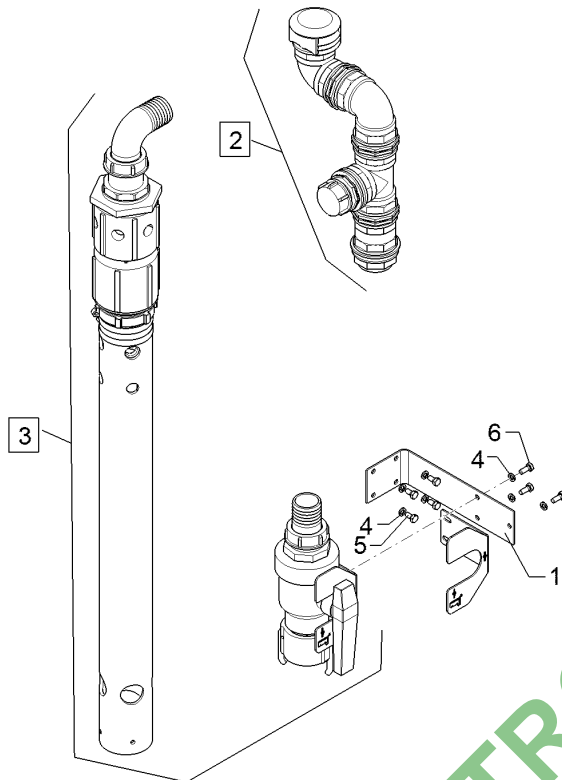
06.17

| Pos. | Art.Nr. | Stck. | Artikeltext / Description | Abmessung | |
|------|----------|-------|---------------------------|-----------|----------------|
| 1 | F01 2507 | 1 | Schlauch | Hose | 32i.x6,25x2100 |
| 2 | F06 0956 | 1 | Durchflussmesser | Flowmeter | 1 ZL KPL ET |
| 4 | F61 4261 | 4 | Schlauchschelle | Hose clip | D30-D45x9 W4 |



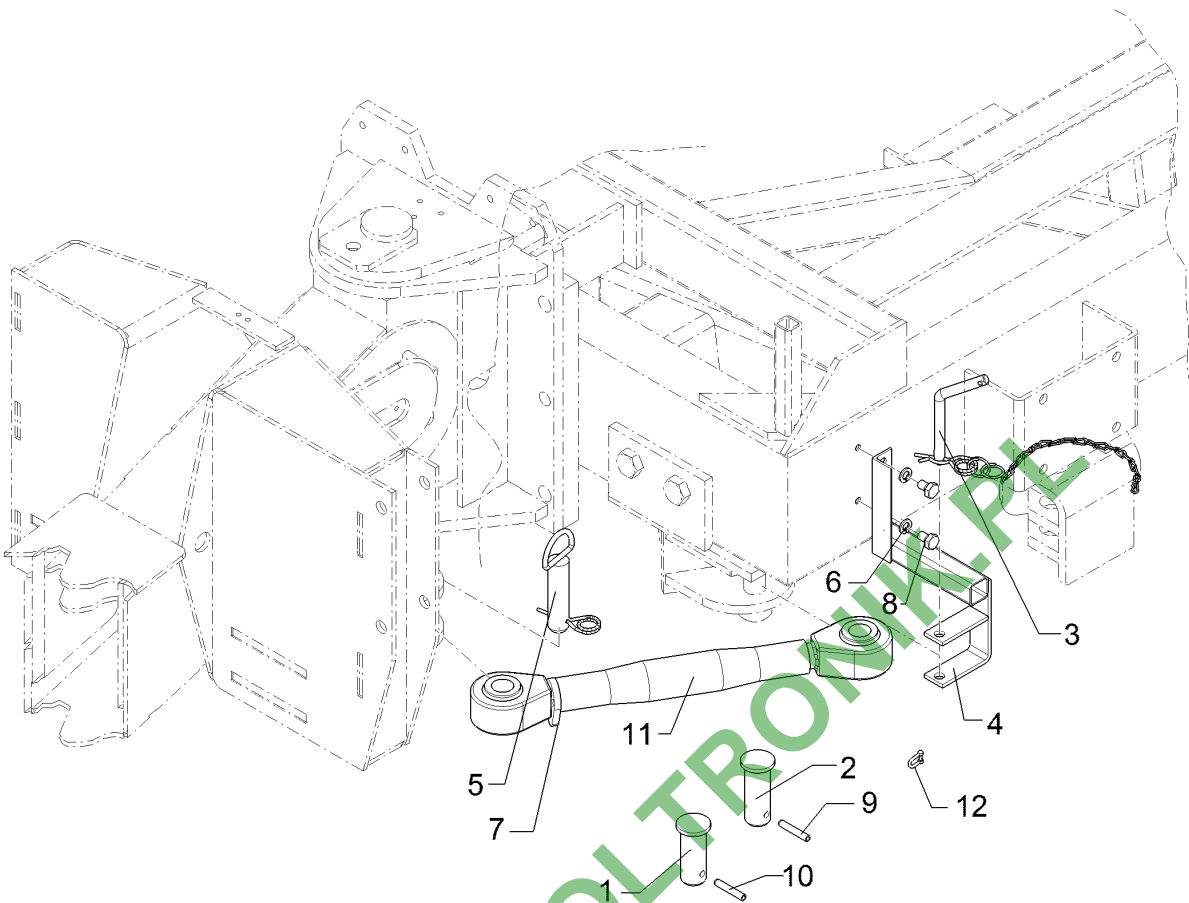
06.17

| Pos. | Art.Nr. | Stck. | Artikeltext / Description | Abmessung |
|------|----------|-------|---------------------------|------------------------|
| 1 | F01 1594 | 1 | Halter | - |
| 2 | F02 1593 | 1 | Belüftungsventil | G2 ZL ET |
| 3 | F06 0328 | 1 | Befülldom | KPL ET |
| 4 | 30510102 | 7 | Federring | 8 Form B-V2A DIN127 |
| 5 | 301 7511 | 4 | Sechskantschraube | M8x16-A2 DIN933 |
| 6 | 301 6751 | 3 | Sechskantschraube | M8x20-A2 DIN933 |



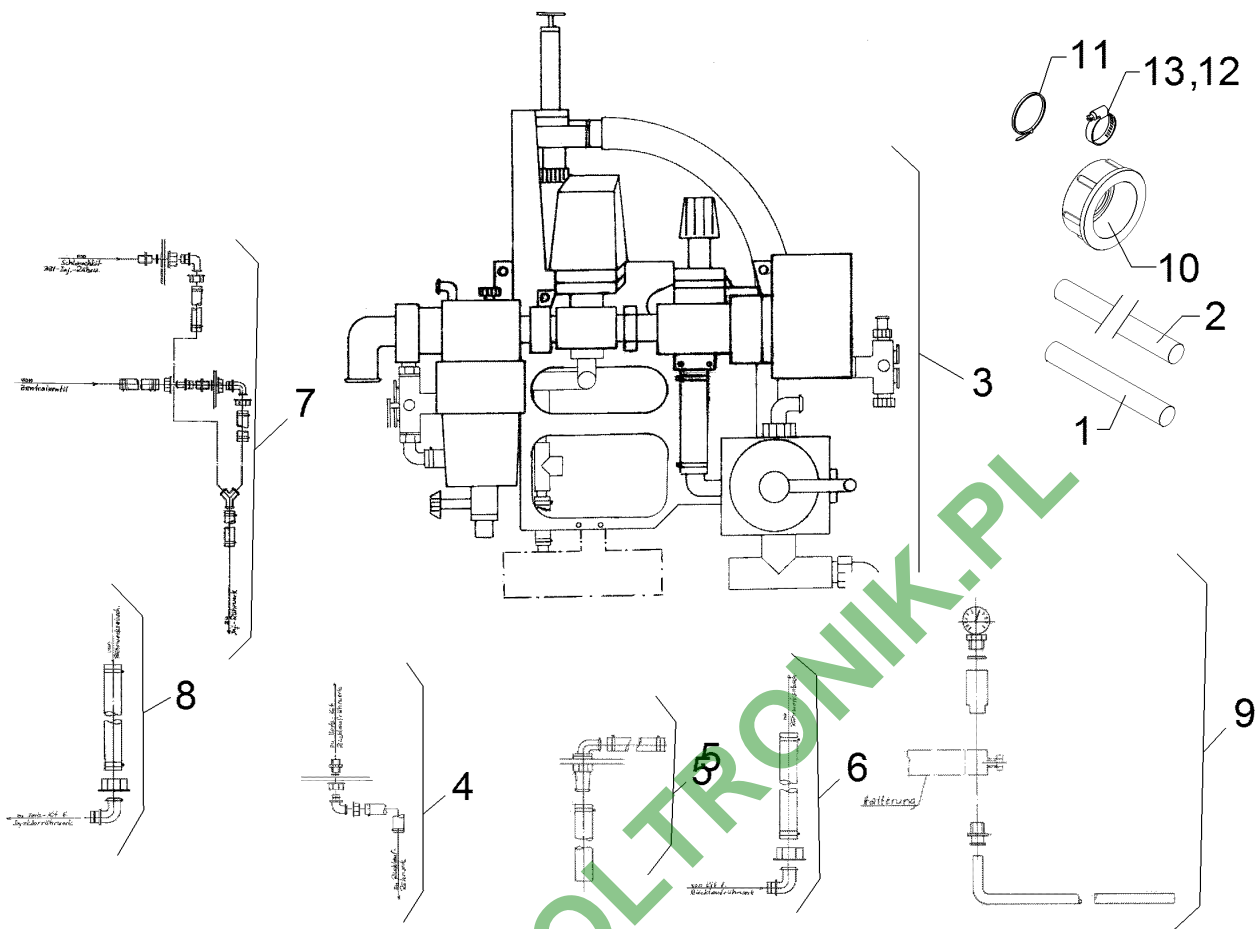
06.17

| Pos. | Art.Nr. | Stck. | Artikeltext / Description | Abmessung |
|------|----------|-------|---------------------------|------------------------|
| 1 | F01 1594 | 1 | Halter | - |
| 2 | F02 1593 | 1 | Belüftungsventil | G2 ZL ET |
| 3 | F06 0320 | 1 | Hydrantbefüllung | ET |
| 4 | 30510102 | 7 | Federring | 8 Form B-V2A DIN127 |
| 5 | 301 7511 | 4 | Sechskantschraube | M8x16-A2 DIN933 |
| 6 | 301 6751 | 3 | Sechskantschraube | M8x20-A2 DIN933 |



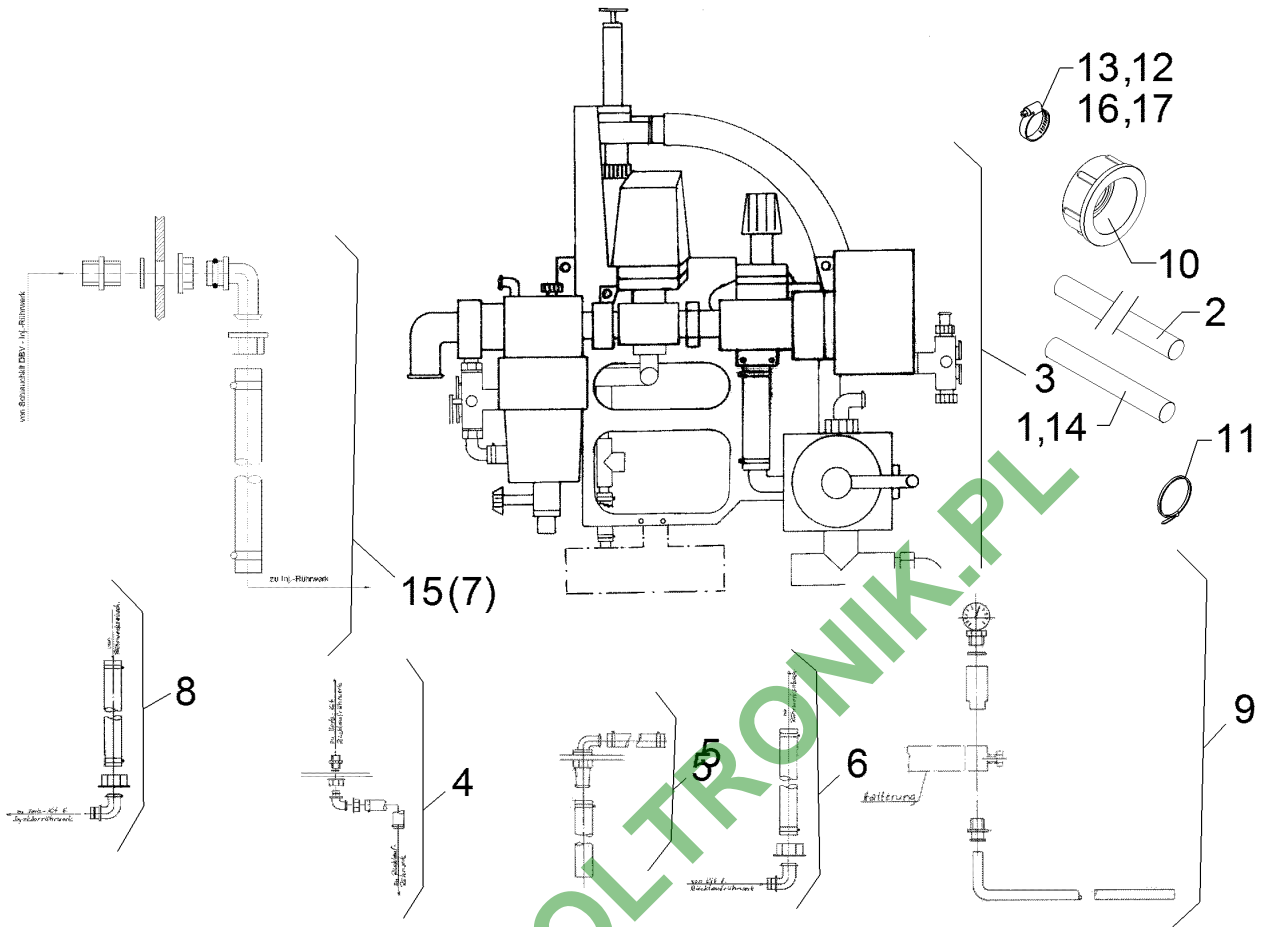
06.17

| Pos. | Art.Nr. | Stck. | Artikeltext / Description | | Abmessung |
|------|----------|-------|---------------------------|-----------------|--------------------------|
| 1 | F01 0826 | 1 | Bolzen | Pin | 30x56/40x80 d8 |
| 2 | F01 1249 | 1 | Bolzen | Pin | 30x62/40x86 d8 |
| 3 | F02 0333 | 1 | Steckbolzen | Socket pin | D12x80 1xd4,5 |
| 4 | F02 1594 | 1 | Oberlenkerhalterung | Holder | - |
| 5 | F03 0208 | 1 | Bolzen | Pin | KPL |
| 6 | 30510103 | 2 | Federring | Spring ring | 10-B DIN127 A2 |
| 7 | F20 0347 | 1 | Sechskantmutter | Hexagon nut | M30x3,5 8Zn LH DIN439 |
| 8 | 30110142 | 2 | Sechskantschraube | Hexagon bolt | M10x16-A2 DIN933 |
| 9 | 30910011 | 1 | Spannhülse | Expansion bush | 8x45 A2 DIN1481 |
| 10 | F20 0987 | 1 | Spannhülse | Expansion bush | 8x55 A2 ISO8752 |
| 11 | F25 0151 | 1 | Oberlenker | Top link | M30x3,5x250 Kat. II |
| 12 | F25 0386 | 2 | Drahtseilklemme | Wire rope clamp | D=3mm |



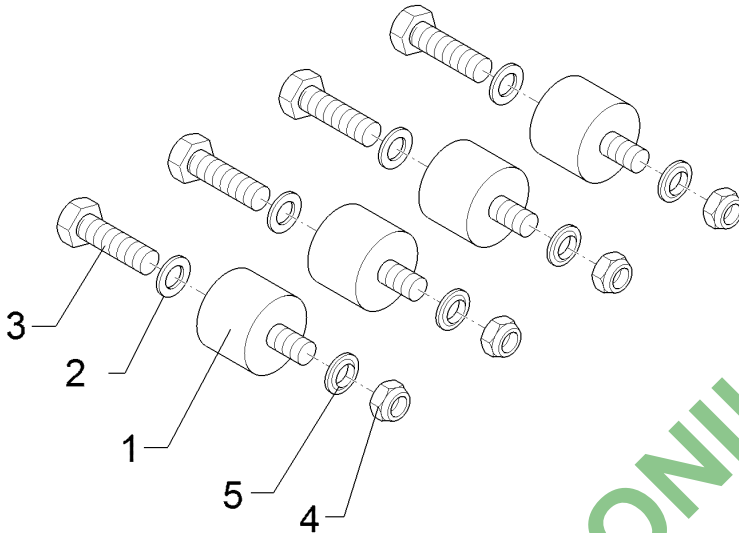
06.17

| Pos. | Art.Nr. | Stck. | Artikeltext / Description | | Abmessung |
|------|----------|-------|---------------------------|-----------------|----------------|
| 1 | F01 2206 | 1 | Schlauch | Hose | 13i.x4,0x2100 |
| 2 | F01 2295 | 15 | Schutzschlauch | Guard for hoses | 75i.x250 |
| 3 | F04 0153 | 1 | Armaturengruppe | Control center | KPL HFR ET |
| 4 | F06 0144 | 1 | Kit | Set | - |
| 5 | F06 0145 | 1 | Kit | Set | - |
| 6 | F06 0147 | 1 | Kit | Set | - |
| 7 | F06 0148 | 1 | Kit | Set | - |
| 8 | F06 0149 | 1 | Kit | Set | - |
| 9 | F06 0944 | 1 | Manometereinheit | Manometer unit | ET |
| 10 | F55 0183 | 1 | Stopfen | Plug | G11/4 ZL i. rd |
| 11 | F55 0197 | 20 | Kabelbinder | Cable clip | 7,8x360 |
| 12 | F55 0250 | 2 | Schutzkappe | Cap | bl 9mm |
| 13 | F61 2401 | 2 | Schlauchschelle | Hose clip | D12-D22x9 |



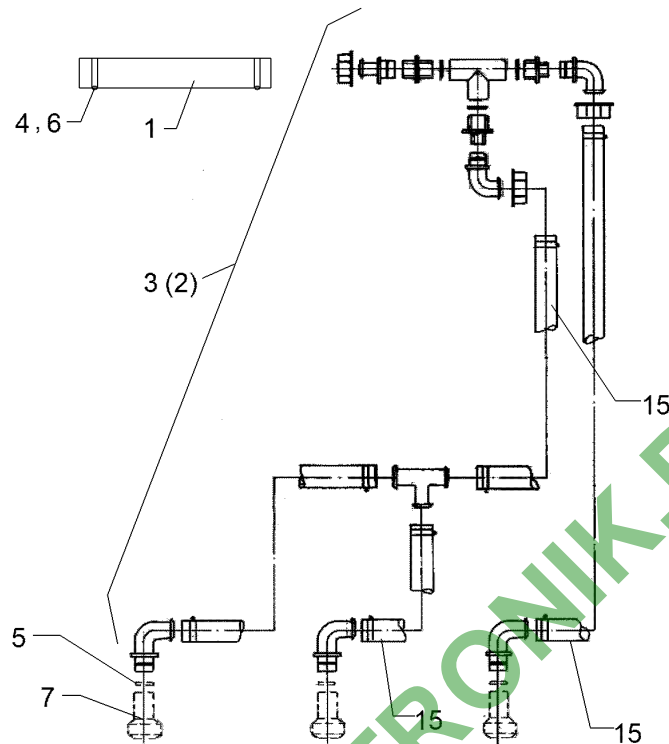
06.17

| Pos. | Art.Nr. | Stck. | Artikeltext / Description | Abmessung | |
|------|----------|-------|---------------------------|-----------------|----------------|
| 1 | F01 2206 | 1 | Schlauch | Hose | 13i.x4,0x2100 |
| 2 | F01 2295 | 15 | Schutzschlauch | Guard for hoses | 75i.x250 |
| 3 | F04 0159 | 1 | Schaltarmatur | Switch fitting | ET |
| 4 | F06 0144 | 1 | Kit | Set | - |
| 5 | F06 0145 | 1 | Kit | Set | - |
| 6 | F06 0147 | 1 | Kit | Set | - |
| 7 | F06 0148 | 1 | Kit | Set | - |
| 8 | F06 0149 | 1 | Kit | Set | - |
| 9 | F06 0944 | 1 | Manometereinheit | Manometer unit | ET |
| 10 | F55 0183 | 1 | Stopfen | Plug | G11/4 ZL i. rd |
| 11 | F55 0197 | 20 | Kabelbinder | Cable clip | 7,8x360 |
| 12 | F55 0250 | 2 | Schutzkappe | Cap | bl 9mm |
| 13 | F61 2401 | 2 | Schlauchschelle | Hose clip | D12-D22x9 |
| 14 | F11 0867 | 1 | Schlauch | Hose | di50x5,7x280 |
| 15 | F13 0106 | 1 | Kit | Set | - |
| 16 | F55 0251 | 2 | Schutzkappe | Cap | 12 mm bl |
| 17 | F61 2404 | 2 | Schlauchschelle | Hose clip | D40-D60x12 |



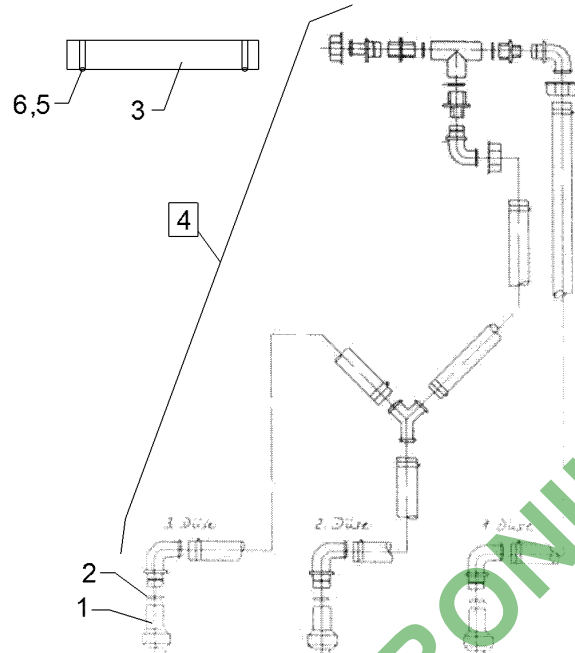
06.17

| Pos. | Art.Nr. | Stck. | Artikeltext / Description | Abmessung |
|------|----------|-------|---------------------------|--------------------|
| 1 | F01 1589 | 4 | Puffer | 50/40 |
| 2 | 305 8704 | 4 | Scheibe | A10,5 DIN125-St A2 |
| 3 | 30110143 | 4 | Sechskantschraube | M10x20-A2 DIN933 |
| 4 | 30310029 | 4 | Sicherungsmutter | NM10 A4 DIN985 |
| 5 | F61 1967 | 4 | Dichtring | M10 |



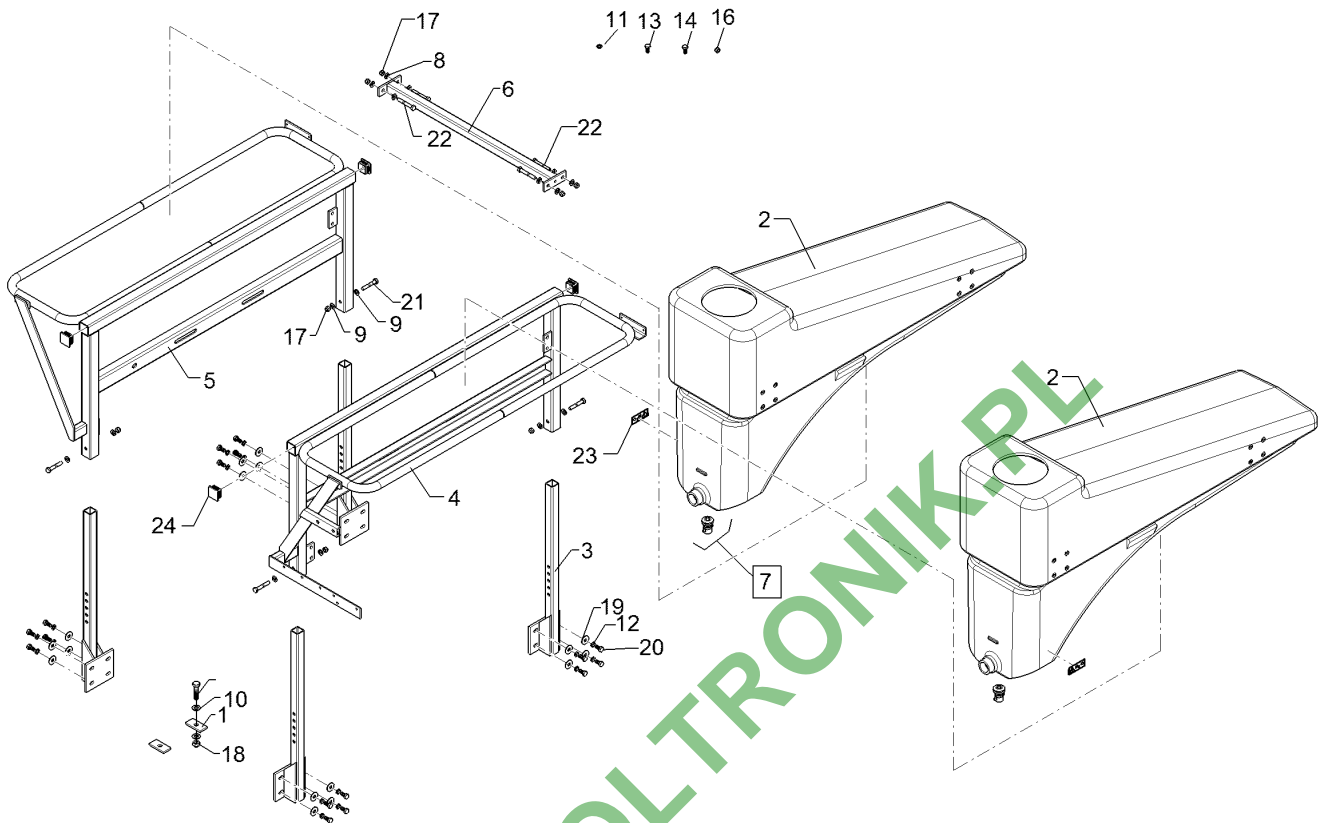
06.17

| Pos. | Art.Nr. | Stck. | Artikeltext / Description | Abmessung | |
|------|----------|-------|---------------------------|-------------------|------------|
| 1 | F01 2786 | 1 | Verbindungsschlauch | Connecting hose | 25i.x7x900 |
| 2 | F06 0155 | 1 | Behälterinnenreinigung | Interior cleaning | HFR/ET3500 |
| 3 | F13 0375 | 1 | Behälterinnenreinigung | Interior cleaning | HFR/ET2600 |
| 4 | F55 0250 | 2 | Schutzkappe | Cap | bl 9mm |
| 5 | F61 1906 | 3 | Dichtung | Seal | 33,0x2x21 |
| 6 | F61 2402 | 2 | Schlauchschelle | Hose clip | D25-D40x9 |
| 7 | F61 2725 | 3 | Behälterreinigungsdüse | Cleaning nozzle | SYN |



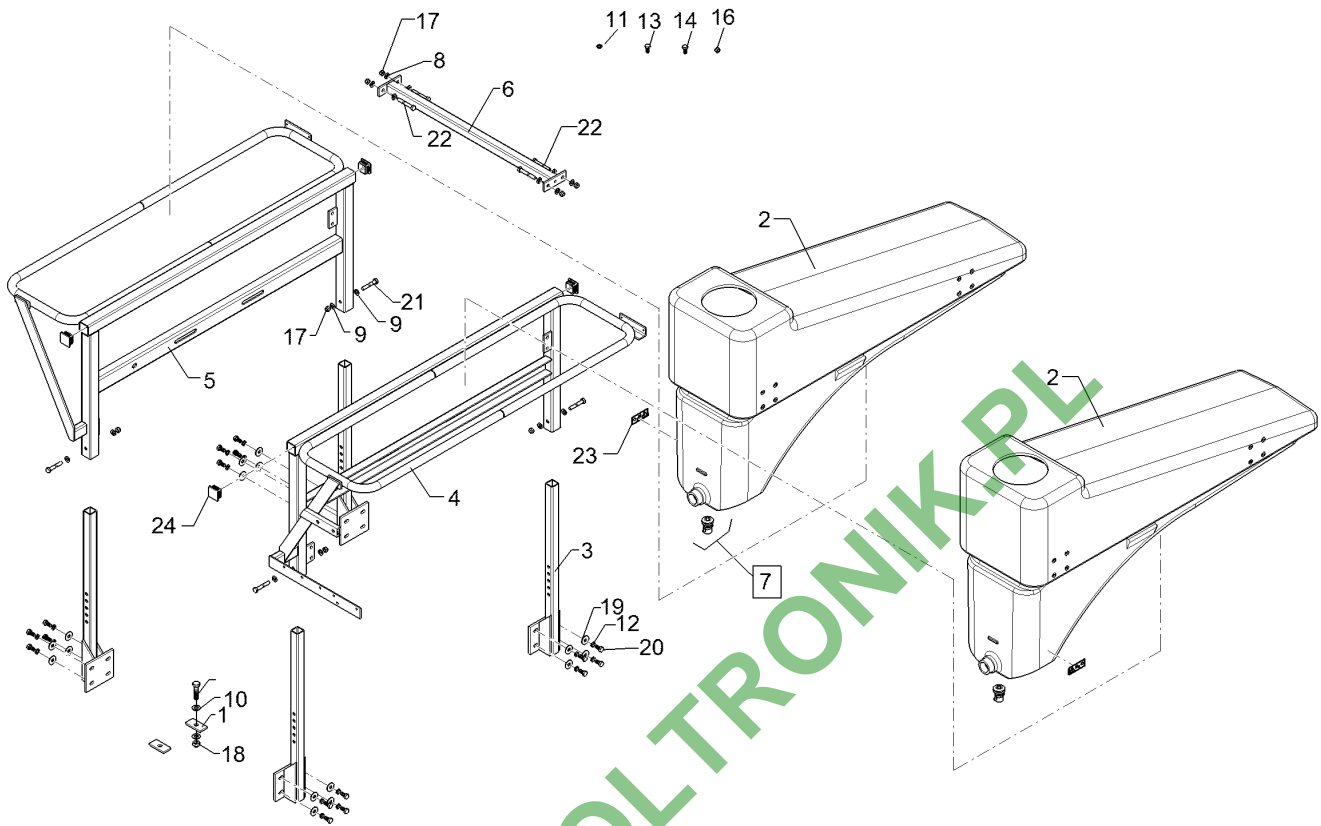
06.17

| Pos. | Art.Nr. | Stck. | Artikeltext / Description | Abmessung | |
|------|----------|-------|---------------------------|-------------------|-------------|
| 1 | F61 2725 | 3 | Behälterreinigungsdüse | Cleaning nozzle | SYN |
| 2 | F61 1906 | 3 | Dichtung | Seal | 33,0x2x21 |
| 3 | F11 0075 | 1 | Schlauch | Hose | 25i.x7x1250 |
| 4 | F06 0155 | 1 | Behälterinnenreinigung | Interior cleaning | HFR/ET3500 |
| 5 | F61 2402 | 2 | Schlauchschnelle | Hose clip | D25-D40x9 |
| 6 | F55 0250 | 2 | Schutzkappe | Cap | bl 9mm |



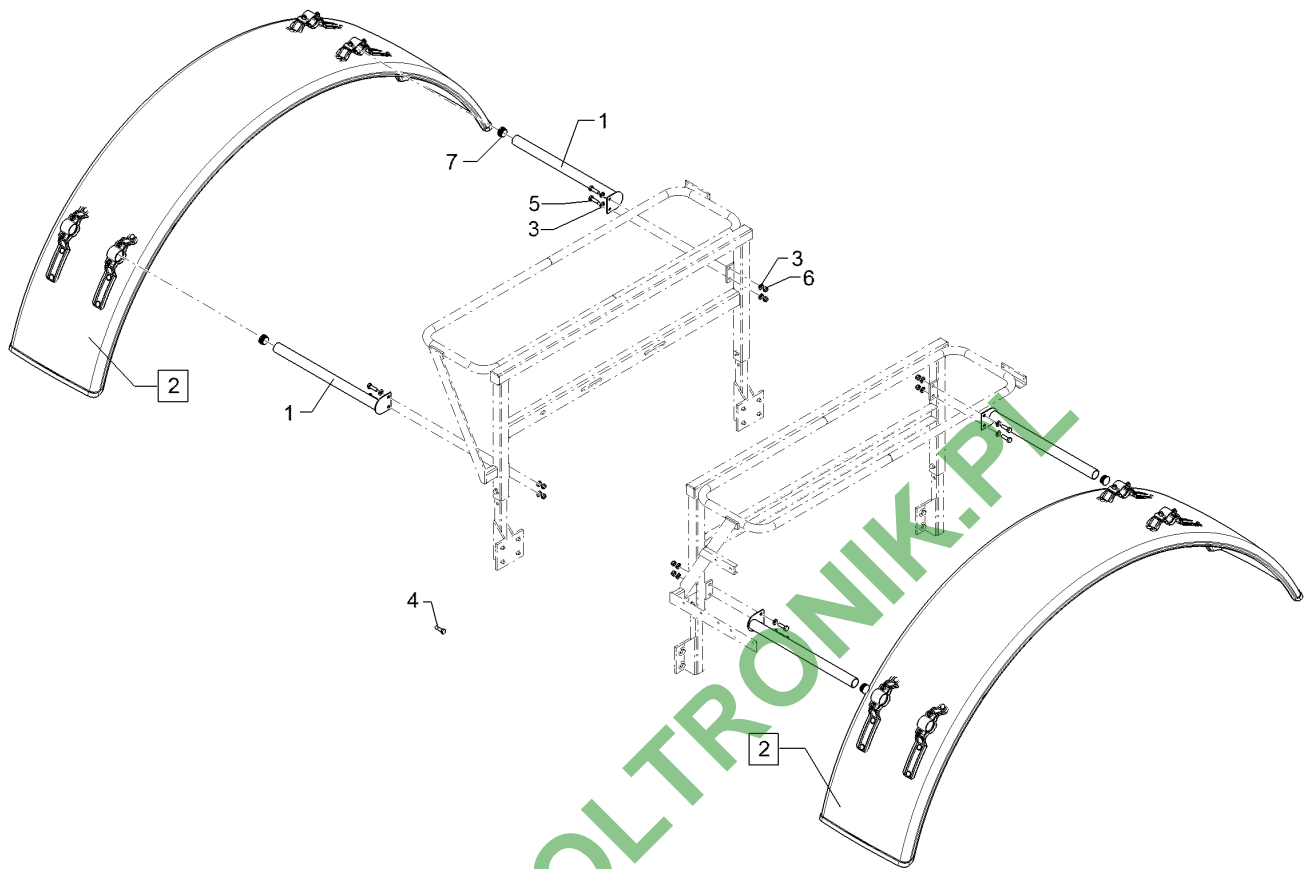
06.17

| Pos. | Art.Nr. | Stck. | Artikeltext / Description | | Abmessung |
|------|----------|-------|---------------------------|-----------------|-------------------------|
| 1 | F01 2709 | 4 | Platte | Plate | 40x8x80 d17 |
| 2 | F02 1233 | 2 | Kotflügelbehälter | Mud guard tank | 270l EuroTrain |
| 3 | F02 1250 | 2 | Stütze | Support | 800x150x75 |
| 4 | F02 1251 | 1 | Halter | Holder | 1600x400x600 li |
| 5 | F02 1252 | 1 | Halter | Holder | 1600x400x600 re |
| 6 | F02 1255 | 1 | Strebe | Strut | 915x120x40 |
| 7 | F06 0851 | 2 | Ablaufstutzen | Stud | G3/4ZL |
| 8 | 305 8695 | 4 | Scheibe | Washer | A8,4 DIN125 A2 |
| 9 | 305 8709 | 8 | Scheibe | Washer | 13 DIN125-A A2 |
| 10 | 305 6141 | 4 | Scheibe | Washer | 17/30x3 DIN/ISO-7089 |
| 11 | 30510102 | 2 | Federring | Spring ring | 8 Form B-V2A DIN127 |
| 12 | 30510202 | 16 | Federring | Spring ring | 12-B DIN127 A2 |
| 13 | 301 7518 | 2 | Sechskantschraube | Hexagon bolt | M8x25-A2 DIN933 |
| 14 | 301 7523 | 2 | Sechskantschraube | Hexagon bolt | M8x30-A2 DIN933 |
| 15 | 301 5406 | 4 | Sechskantschraube | Hexagon bolt | M16x50-8.8 Zn DIN933 |
| 16 | 30310043 | 2 | Sicherungsmutter | Selflocking nut | NM8 DIN985-A4 |
| 17 | 30310030 | 4 | Sicherungsmutter | Selflocking nut | NM12 DIN985-A4 |
| 18 | 303 0935 | 4 | Sicherungsmutter | Selflocking nut | NM16-8 Zn DIN985 |
| 19 | 30510089 | 16 | Scheibe | Washer | D13/37x3 A2 DIN9021 |
| 20 | 30110377 | 16 | Sechskantschraube | Hexagon bolt | M12x25-A2 DIN933 |
| 21 | 30110107 | 4 | Sechskantschraube | Hexagon bolt | M12x70-A2 DIN931 |



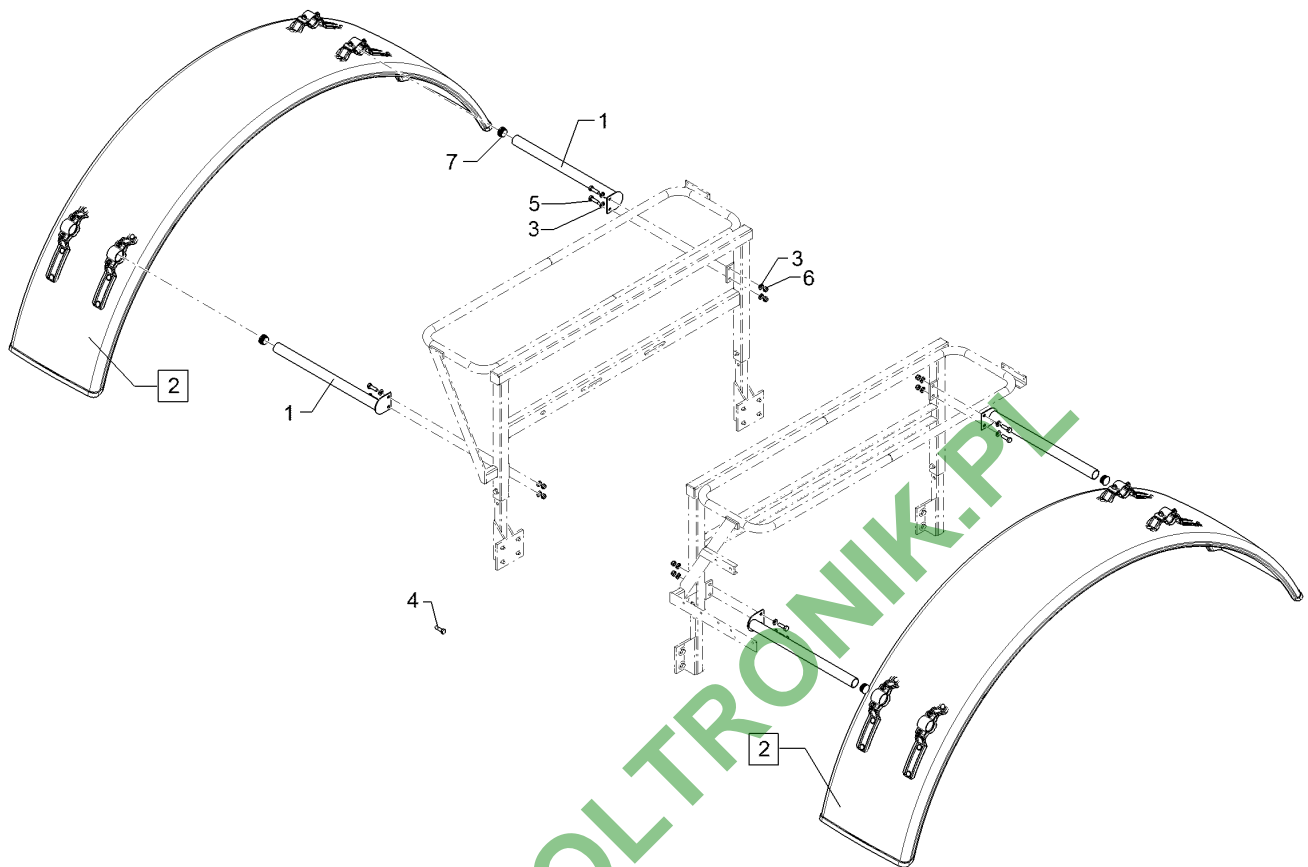
06.17

| Pos. | Art.Nr. | Stck. | Artikeltext / Description | | Abmessung |
|------|----------|-------|---------------------------|--------------|------------------|
| 22 | 30110094 | 4 | Sechskantschraube | Hexagon bolt | M12x80-A2 DIN931 |
| 23 | F51 0263 | 2 | Aufkleber | Label | H2O |
| 24 | F55 0167 | 4 | Stopfen | Plug | 50x50x2.6-5 |



06.17

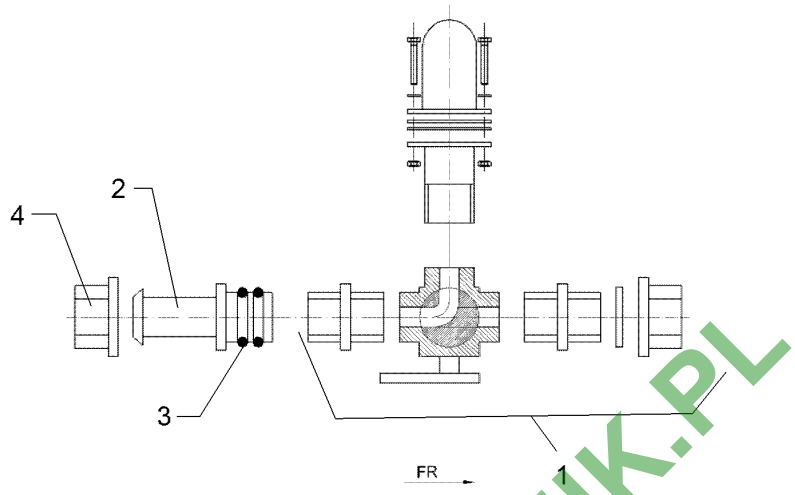
| Pos. | Art.Nr. | Stck. | Artikeltext / Description | | Abmessung |
|------|----------|-------|---------------------------|-----------------|-----------------------|
| 1 | F02 1253 | 4 | Halter | Holder | 80x90x603 2xd13 |
| 2 | F02 1359 | 1 | Kotflügel | Mud guard | 510 mm ET3500/5000 |
| 3 | 305 8709 | 8 | Scheibe | Washer | 13 DIN125-A A2 |
| 4 | 301 7511 | 2 | Sechskantschraube | Hexagon bolt | M8x16-A2 DIN933 |
| 5 | 301 7529 | 8 | Sechskantschraube | Hexagon bolt | M12x30-A2 DIN933 |
| 6 | 30310030 | 8 | Sicherungsmutter | Selflocking nut | NM12 DIN985-A4 |
| 7 | F55 0186 | 4 | Stopfen | Plug | R.40a.x1-2 SYN bk |



06.17

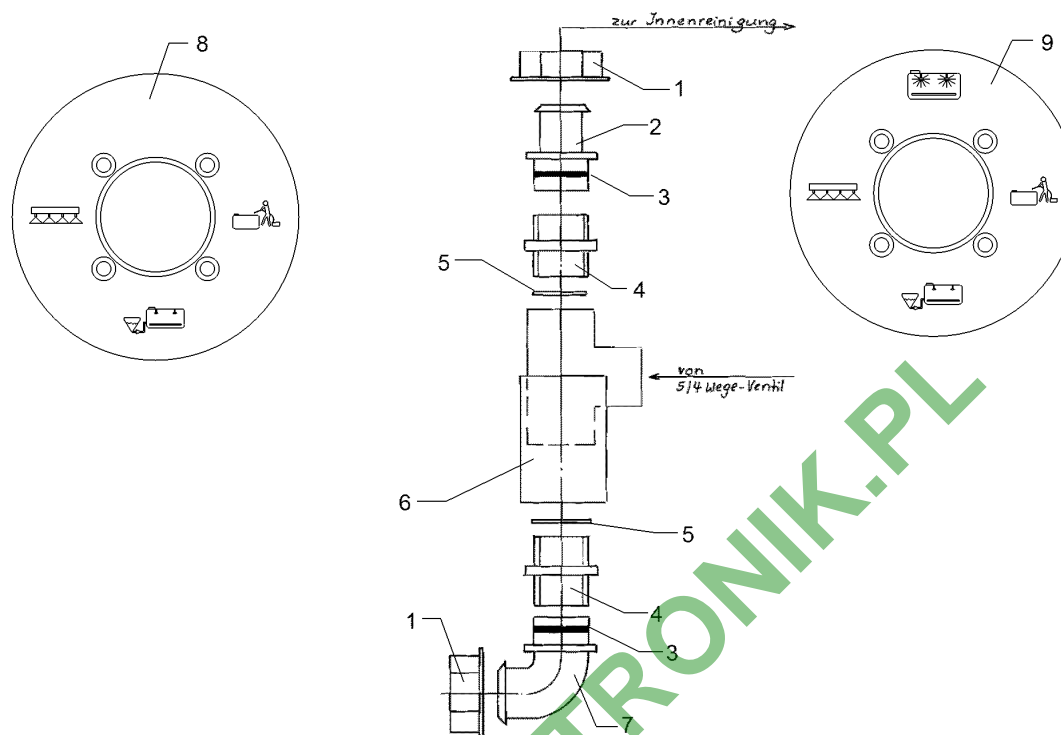
| Pos. | Art.Nr. | Stck. | Artikeltext / Description | | Abmessung |
|------|----------|-------|---------------------------|-----------------|-----------------------|
| 1 | F02 1253 | 4 | Halter | Holder | 80x90x603 2xd13 |
| 2 | F02 1359 | 2 | Kotflügel | Mud guard | 510 mm ET3500/5000 |
| 3 | 305 8709 | 16 | Scheibe | Washer | 13 DIN125-A A2 |
| 4 | 301 7511 | 2 | Sechskantschraube | Hexagon bolt | M8x16-A2 DIN933 |
| 5 | 301 7538 | 8 | Sechskantschraube | Hexagon bolt | M12x40 A2 DIN933 |
| 6 | 30310030 | 8 | Sicherungsmutter | Selflocking nut | NM12 DIN985-A4 |
| 7 | F55 0186 | 4 | Stopfen | Plug | R.40a.x1-2 SYN bk |

| | |
|-----------------------------|----------|
| Auslauf/Orifice | 8 |
| EuroTrain 2600 TC / 3500 TC | F06 0799 |



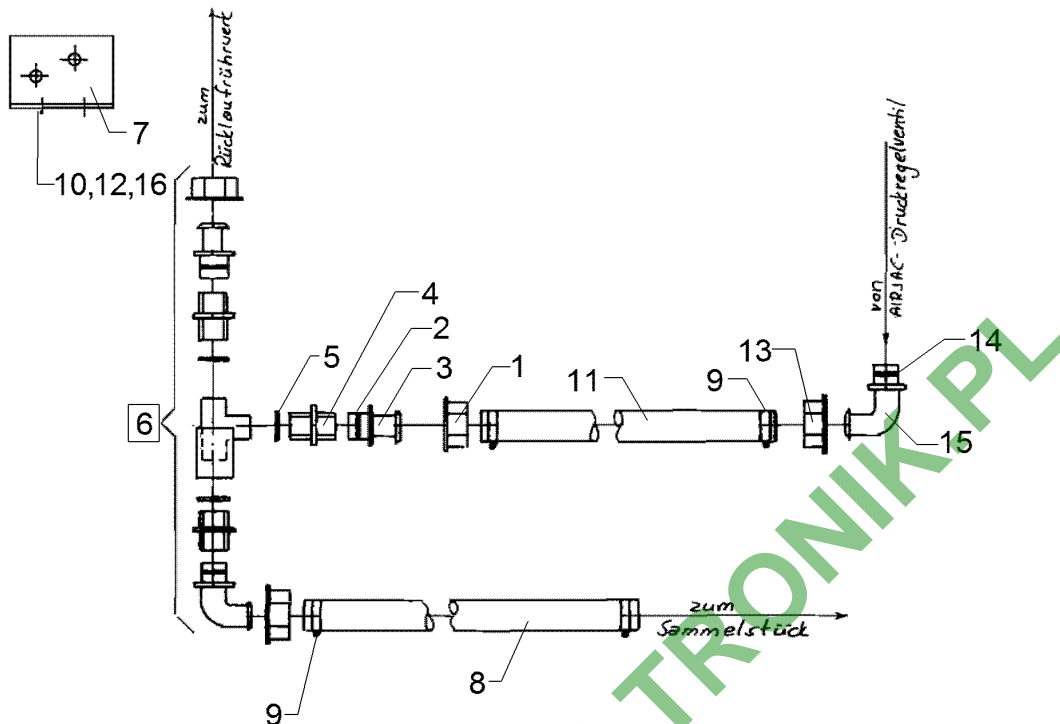
06.17

| Pos. | Art.Nr. | Stck. | Artikeltext / Description | Abmessung |
|------|----------|-------|---------------------------|----------------|
| 1 | F03 0349 | 1 | Auslauf | ET |
| 2 | F61 0837 | 1 | Schlauchanschluss | G2ZLÜ 0GRD D50 |
| 3 | 37810275 | 2 | O-Ring | 39,3x2,6 |
| 4 | 37810582 | 1 | Überwurfmutter | G2 ZL |



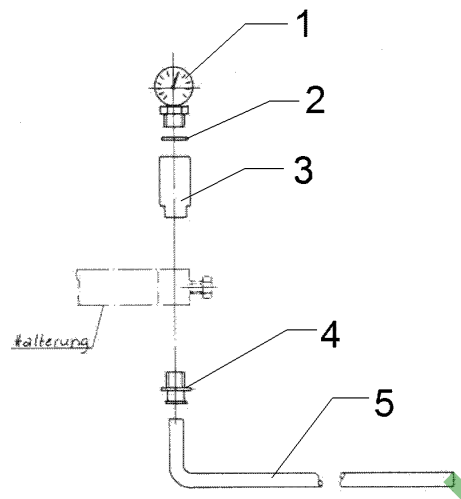
06.17

| Pos. | Art.Nr. | Stck. | Artikeltext / Description | Abmessung | |
|------|----------|-------|---------------------------|-----------------|------------------------|
| 1 | 37810580 | 2 | Überwurfmutter | Union nut | G1-1/4 ZL |
| 2 | F61 0832 | 1 | Schlauchanschluss | Hose connection | G1-1/4ZLÜ 0GRD D32 |
| 3 | 37810281 | 2 | O-Ring | O-ring | 26,7x2,6 |
| 4 | 37810476 | 2 | Adapter | Adapter | G1-1/4ZLA G1-1/4ZLA |
| 5 | 37810711 | 2 | O-Ring | O-ring | 35x4 |
| 6 | F61 0725 | 1 | Ventil | Valve | 3/.. ELE G11/4 ZL |
| 7 | F61 0853 | 1 | Schlauchanschluss | Hose connection | G1-1/4ZLÜ 90GRD D32 |
| 8 | F50 0152 | 1 | Beschriftungsscheibe | Disk | - |
| 9 | F50 0151 | 1 | Beschriftungsscheibe | Disk | - |



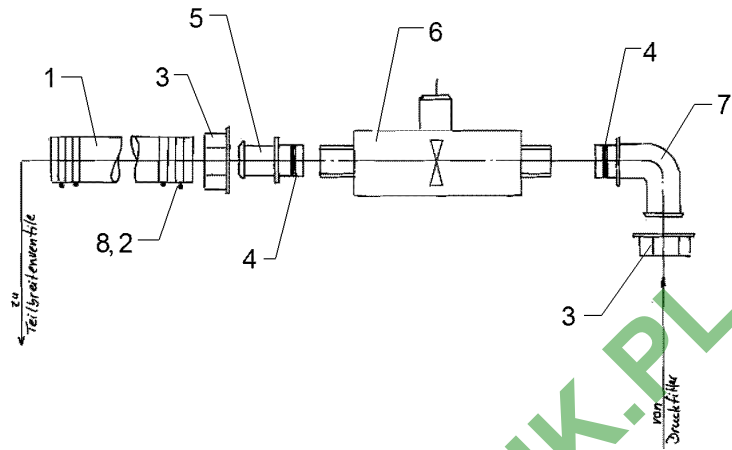
06.17

| Pos. | Art.Nr. | Stck. | Artikeltext / Description | Abmessung | |
|------|----------|-------|---------------------------|-----------------|------------------------|
| 1 | 37810580 | 1 | Überwurfmutter | Union nut | G1-1/4 ZL |
| 2 | 37810281 | 1 | O-Ring | O-ring | 26,7x2,6 |
| 3 | F61 0832 | 1 | Schlauchanschluss | Hose connection | G1-1/4ZLÜ 0GRD D32 |
| 4 | 37810476 | 1 | Adapter | Adapter | G1-1/4ZLA G1-1/4ZLA |
| 5 | 37810711 | 1 | O-Ring | O-ring | 35x4 |
| 6 | F06 0930 | 1 | Kit | Set | - |
| 7 | F01 2767 | 1 | Halter | Holder | - |
| 8 | F01 1777 | 1 | Schlauch | Hose | di32x4,2x250 |
| 9 | F61 2402 | 4 | Schlauchschelle | Hose clip | D25-D40x9 |
| 10 | 301 6751 | 2 | Sechskantschraube | Hexagon bolt | M8x20-A2 DIN933 |
| 11 | F01 1758 | 1 | Schlauch | Hose | di32x4,2x550 |
| 12 | 305 8695 | 2 | Scheibe | Washer | A8,4 DIN125 A2 |
| 13 | 37810581 | 1 | Überwurfmutter | Union nut | G1-1/2 ZL |
| 14 | 37810283 | 1 | O-Ring | O-ring | 29,2x3 |
| 15 | F61 0855 | 1 | Schlauchanschluss | Hose connection | G1-1/2ZLÜ 90GRD D32 |
| 16 | 30310043 | 2 | Sicherungsmutter | Selflocking nut | NM8 DIN985-A4 |
| 17 | F02 1686 | 1 | Hahngruppe | --- | ET |



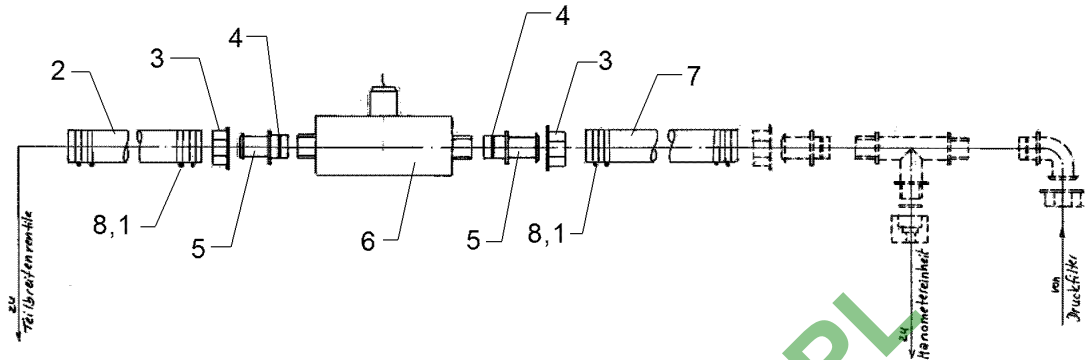
06.17

| Pos. | Art.Nr. | Stck. | Artikeltext / Description | Abmessung | |
|------|----------|-------|---------------------------|------------|--------------------|
| 1 | F61 3090 | 1 | Manometer | Manometer | 0/5/25 R1/4 ZL V2A |
| 2 | F61 1954 | 1 | O-Ring | O-ring | 4x4 061-050056-000 |
| 3 | F62 0171 | 1 | Steckverschraubung | Connection | G1/4 ZL i. |
| 5 | F01 2050 | 1 | Manometerschlauch | Hose | 4a.x1x3000 |



06.17

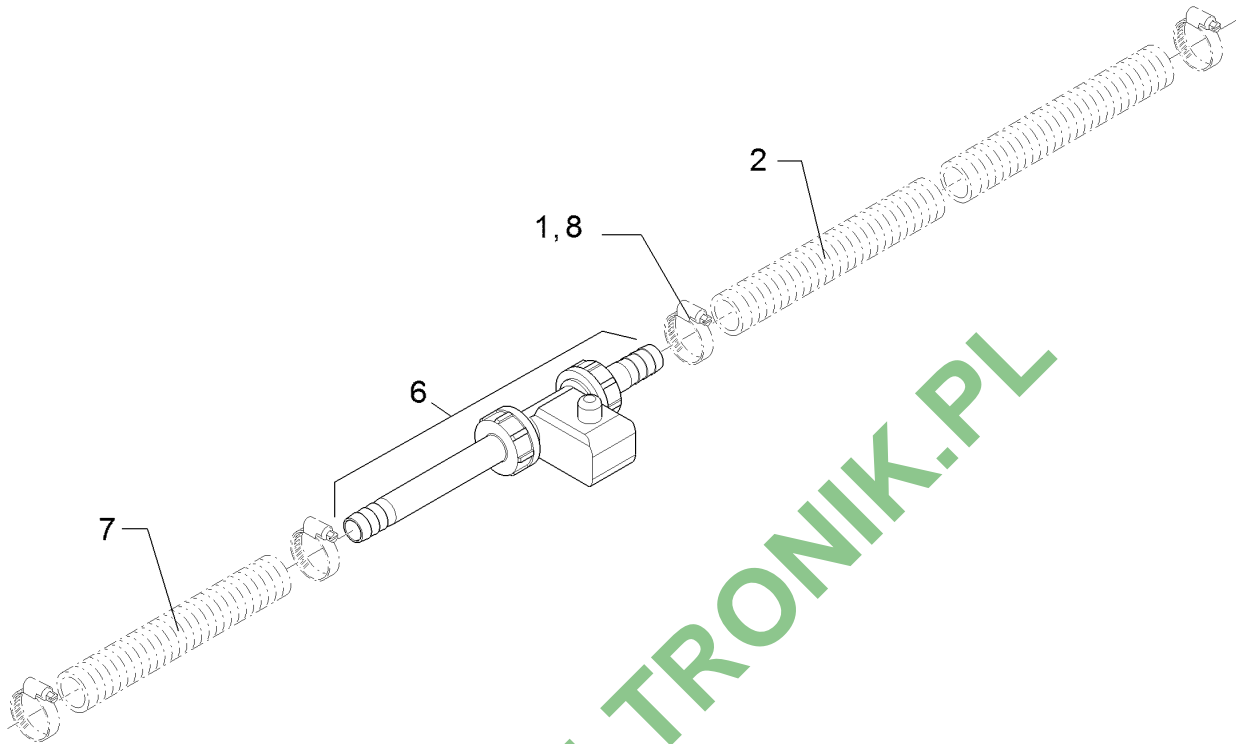
| Pos. | Art.Nr. | Stck. | Artikeltext / Description | Abmessung |
|------|----------|-------|---------------------------|------------------------------------|
| 1 | F01 2551 | 1 | Schlauch | Hose 32i.x6,25x4800 |
| 2 | F61 4261 | 4 | Schlauchschelle | Hose clip D30-D45x9 W4 |
| 3 | 37810580 | 2 | Überwurfmutter | Union nut G1-1/4 ZL |
| 4 | 37810281 | 2 | O-Ring | O-ring 26,7x2,6 |
| 5 | F61 0832 | 1 | Schlauchanschluss | Hose connection G1-1/4ZLÜ 0GRD |
| 6 | F40 0408 | 1 | Durchflussmesser | Flowmeter D32 |
| 7 | F61 0853 | 1 | Schlauchanschluss | Hose connection G1-1/4ZL 1ZL Ti |
| 8 | F55 0250 | 4 | Schutzkappe | Cap D32 bl 9mm |



06.17

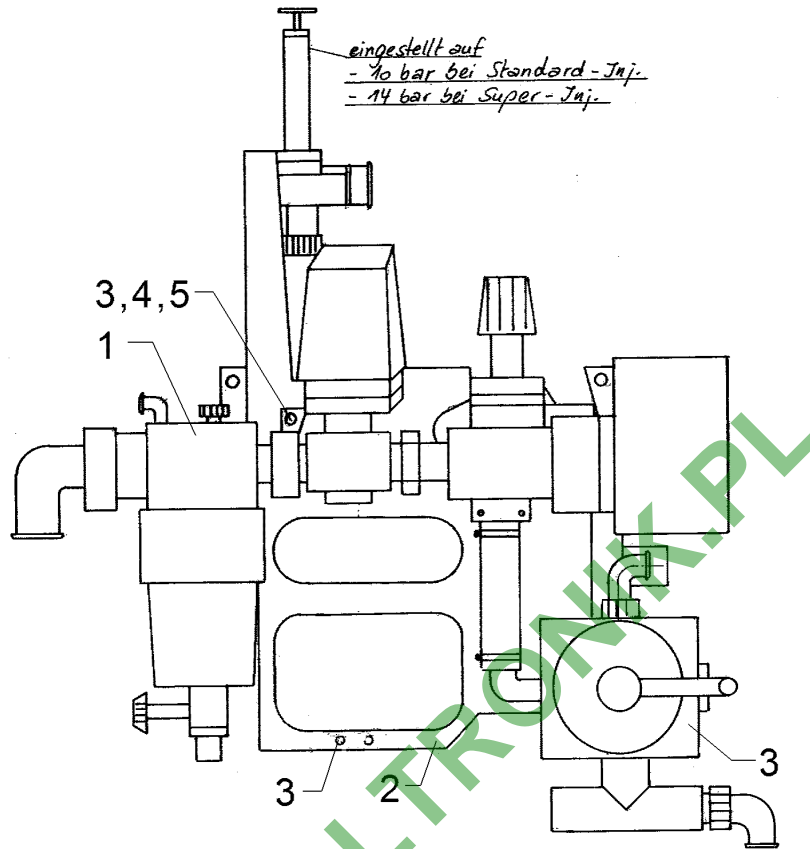
| Pos. | Art.Nr. | Stck. | Artikeltext / Description | | Abmessung |
|------|----------|-------|---------------------------|-----------------|-------------------------|
| 1 | F61 4261 | 8 | Schlauchschelle | Hose clip | D30-D45x9 W4 |
| 2 | F01 2551 | 1 | Schlauch | Hose | 32i.x6,25x4800 |
| 3 | 37810580 | 2 | Überwurfmutter | Union nut | G1-1/4 ZL |
| 4 | 37810281 | 2 | O-Ring | O-ring | 26,7x2,6 |
| 5 | F61 0832 | 2 | Schlauchanschluss | Hose connection | G1-1/4ZLÜ 0GRD |
| 6 | F40 0408 | 1 | Durchflussmesser | Flowmeter | D32 |
| 7 | F01 2354 | 1 | Schlauch | Hose | G1-1/4ZL 1ZL Ti |
| 8 | F55 0250 | 8 | Schutzkappe | Cap | 32i.x6,25x125 bl 9mm |

| | |
|-----------------------------|----------|
| Durchflussmesser/Flowmeter | 8 |
| EuroTrain 2600 TC / 3500 TC | F06 0959 |



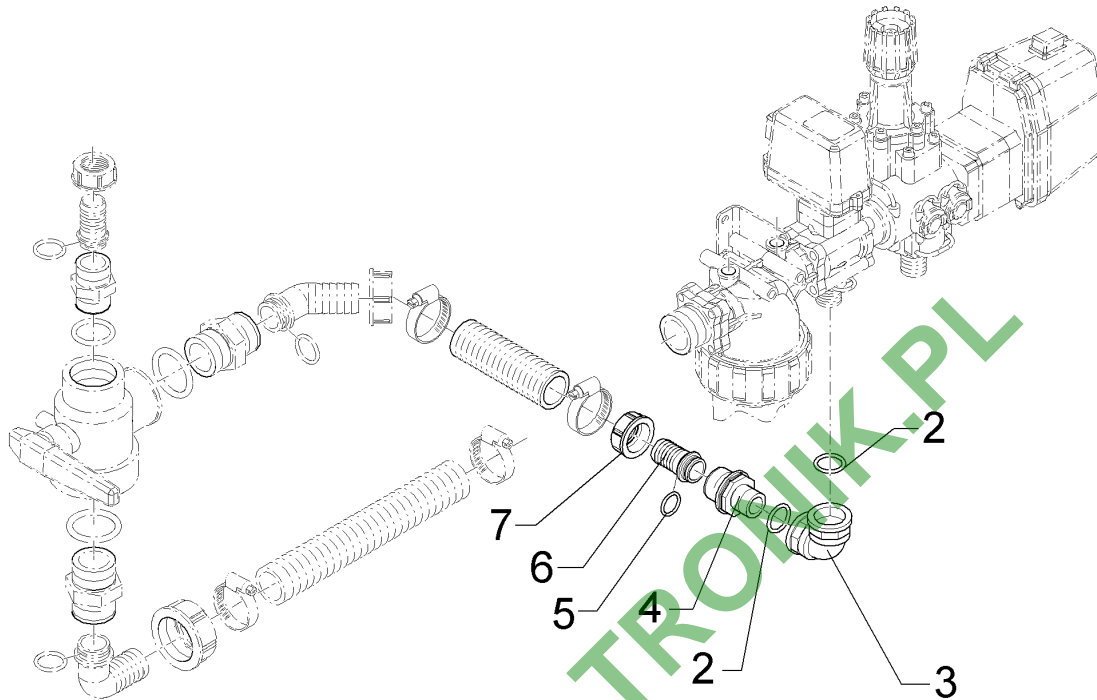
06.17

| Pos. | Art.Nr. | Stck. | Artikeltext / Description | Abmessung | |
|------|----------|-------|---------------------------|-----------|----------------|
| 1 | F61 2402 | 4 | Schlauchschelle | Hose clip | D25-D40x9 |
| 2 | F01 2815 | 1 | Schlauch | Hose | di25x5,75x4800 |
| 6 | F40 0378 | 1 | Durchflussmesser | Flowmeter | NW20 |
| 7 | F01 1806 | 1 | Schlauch | Hose | di25x7x120 |
| 8 | F55 0250 | 4 | Schutzkappe | Cap | bl 9mm |



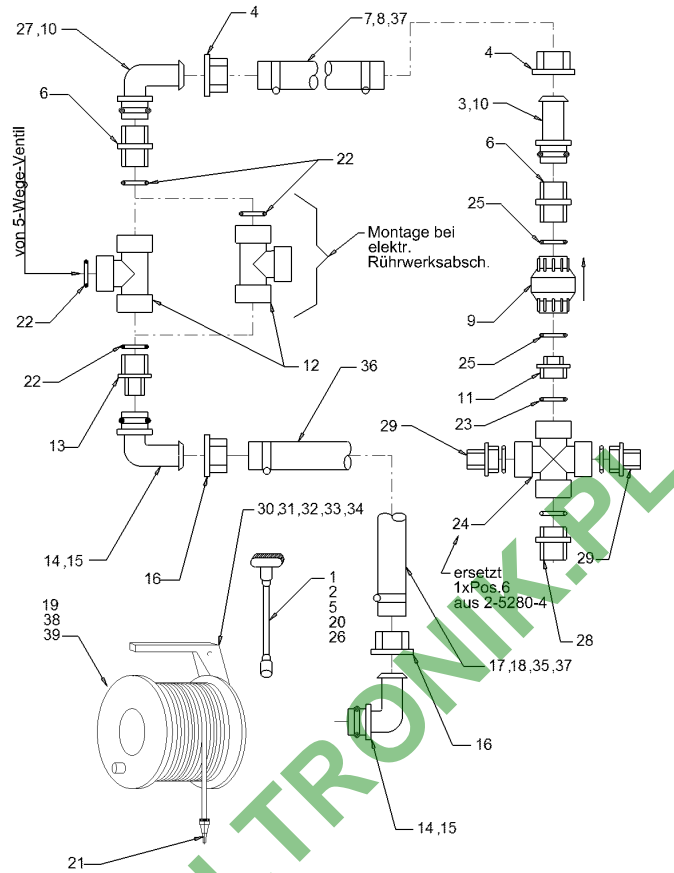
06.17

| Pos. | Art.Nr. | Stck. | Artikeltext / Description | Abmessung |
|------|----------|-------|---------------------------|--------------------------------|
| 1 | F06 0138 | 1 | Zentralschaltarmatur | HFR |
| 2 | F02 1311 | 1 | Halter | Eurotrain AIRJAC HFR |
| 3 | 301 7511 | 4 | Sechskantschraube | M8x16-A2 DIN933 |
| 4 | 30310043 | 4 | Sicherungsmutter | NM8 DIN985-A4 |
| 5 | 305 8695 | 4 | Scheibe | A8,4 DIN125 A2 |
| 6 | 390 0516 | 1 | Aufkleber Warnbildzeichen | nicht mit Hochdruckreiniger |



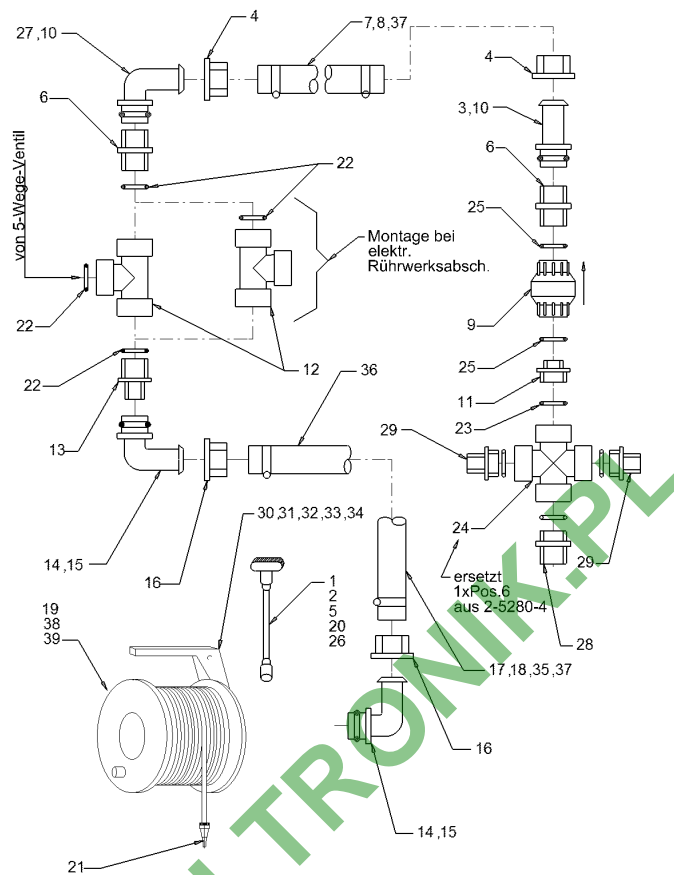
06.17

| Pos. | Art.Nr. | Stck. | Artikeltext / Description | Abmessung | |
|------|----------|-------|---------------------------|-----------------|------------------|
| 2 | F61 1962 | 2 | O-Ring | O-ring | 32x4,5 |
| 3 | F61 0865 | 1 | Bogen | Curve | G1ZLII 90GRD |
| 4 | 37810496 | 1 | Adapter | Adapter | G1-1/4ZLA G1ZLA |
| 5 | 37810281 | 1 | O-Ring | O-ring | 26,7x2,6 |
| 6 | F61 0832 | 1 | Schlauchanschluss | Hose connection | G1-1/4ZLÜ 0GRD |
| 7 | 37810580 | 1 | Überwurfmutter | Union nut | D32 G1-1/4 ZL |



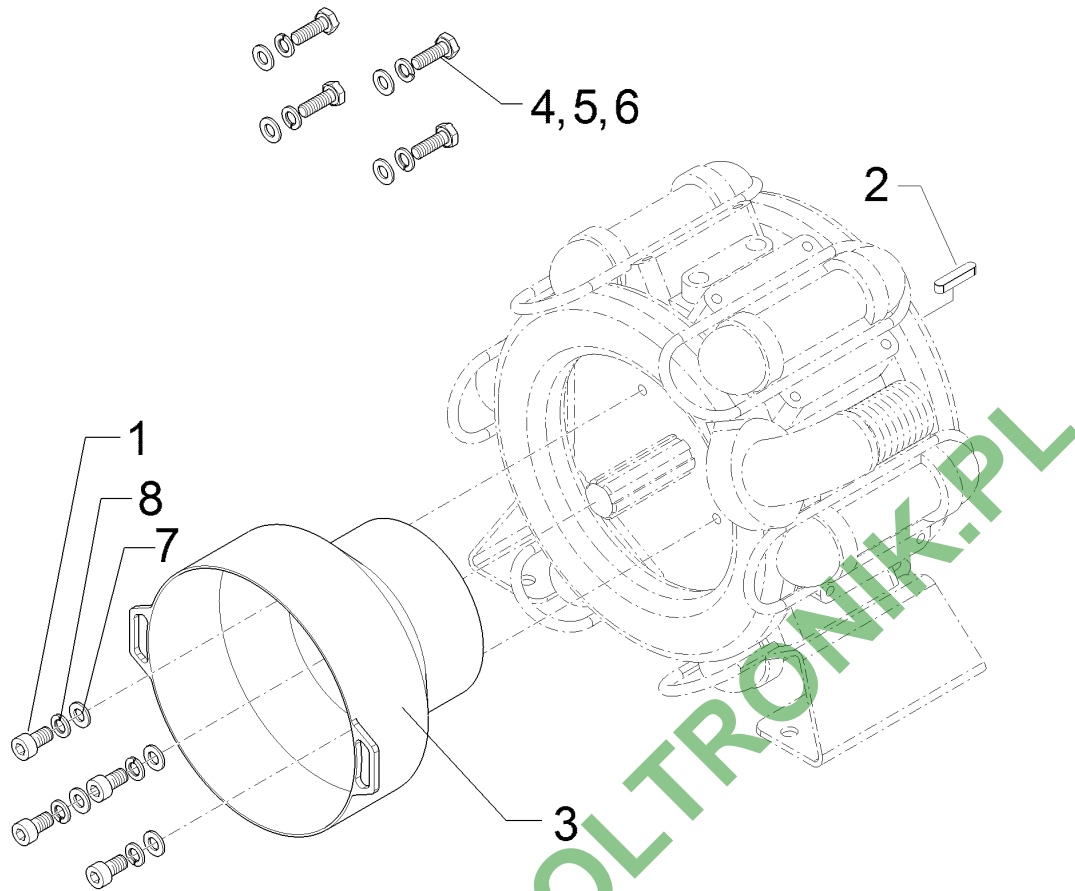
06.17

| Pos. | Art.Nr. | Stck. | Artikeltext / Description | Abmessung | |
|------|----------|-------|---------------------------|--------------------|-----------------------|
| 1 | F20 0311 | 2 | Federring | Spring ring | B6 A2 DIN127 |
| 2 | F20 0617 | 2 | Sechskantschraube | Hexagon bolt | M6x40 A2 DIN933 |
| 3 | F61 0830 | 1 | Schlauchanschluss | Hose connection | G1-1/4ZLÜ 0GRD D25 |
| 4 | 37810580 | 2 | Überwurfmutter | Union nut | G1-1/4 ZL |
| 5 | F55 0202 | 2 | Clip | Clip | 20 mm |
| 6 | F01 1046 | 2 | Nippel | Nipple | G1-1/4Z L I=56 |
| 7 | F61 2400 | 2 | Schlauchschelle | Hose clip | D20-D32x9 |
| 8 | F01 1794 | 1 | Schlauch | Hose | di25x3,5x1000 |
| 9 | F61 0166 | 1 | Rückschlagventil | Nonreturn valve | G1-1/4ZLI G1-1/4ZLI |
| 10 | 37810281 | 2 | O-Ring | O-ring | 26,7x2,6 |
| 11 | F11 0128 | 1 | Reduzierstück | Reducing fitting | - |
| 12 | F61 0995 | 1 | T-Stück | T-piece | G1-1/4ZLI |
| 13 | 37810495 | 1 | Adapter | Adapter | G1-1/4ZLA G3/4ZLA |
| 14 | F61 0947 | 2 | Zapfen | Pivot | G3/4 ZL |
| 15 | F61 1951 | 2 | Dichtung | Seal | 14x24x2 PVC |
| 16 | F61 1140 | 2 | Überwurfmutter | Union nut | G3/4ZL |
| 17 | F61 2399 | 2 | Schlauchschelle | Hose clip | D16-D27x9 |
| 18 | F11 0015 | 1 | Schlauch | Hose | di13x4x3000 |
| 19 | F61 4670 | 1 | Wandschlauchträger | Wandschlauchträger | - |
| 20 | F61 3285 | 1 | Waschbürste | l=44 cm | - |
| 21 | F61 3284 | 1 | Wasserstopkupplung | Wasserstopkupplung | - |
| 22 | F61 1974 | 3 | O-Ring | O-ring | 37,47x5,35 |
| 23 | F61 2039 | 1 | O-Ring | O-ring | 55x5 |



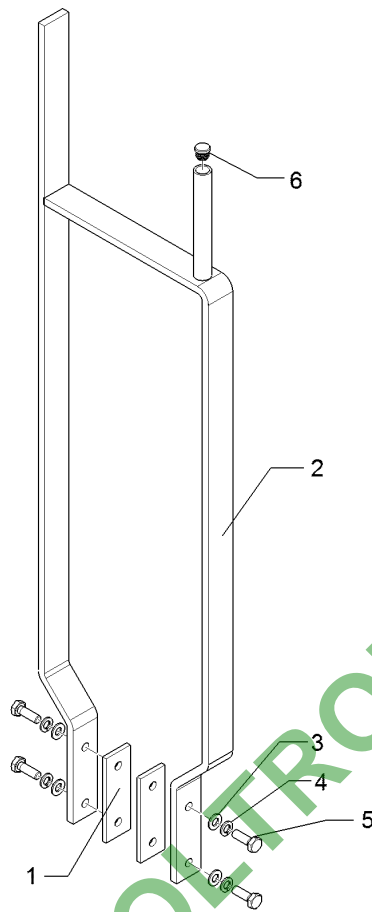
06.17

| Pos. | Art.Nr. | Stck. | Artikeltext / Description | Abmessung | |
|------|----------|-------|---------------------------|------------------|-------------------------|
| 24 | F01 4546 | 1 | Kreuzstück | Cross piece | G2 ZL i. |
| 25 | F61 2055 | 2 | O-Ring | O-ring | 42x3 |
| 26 | F01 0906 | 2 | Distanzbuchse | Distance bush | D16/8x21 |
| 27 | F61 0851 | 1 | Schlauchanschluss | Hose connection | G1-1/4ZLÜ 90GRD D25 |
| 28 | F11 0127 | 1 | Nippel | Nipple | - |
| 29 | F11 0126 | 2 | Reduzierstück | Reducing fitting | - |
| 30 | F01 1597 | 1 | Platte | Plate | 160x6x155 3xd7 |
| 31 | 30110134 | 2 | Sechskantschraube | Hexagon bolt | M6x50-A2 DIN931 |
| 32 | 301 7513 | 1 | Sechskantschraube | Hexagon bolt | M6x16-A2 DIN933 |
| 33 | 305 8702 | 4 | Scheibe | Washer | 6,4 DIN125-A A2 |
| 34 | 30310042 | 2 | Sicherungsmutter | Selflocking nut | NM6 DIN985-A4 |
| 35 | F41 0352 | 0 | Isoflexrohr | Isoflex tube | FXPY-F32EN D24,3 mm |
| 37 | F55 0250 | 4 | Schutzkappe | Cap | bl 9mm |
| 38 | F61 1812 | 20 | Schleppschlauch | Drop hose | 13i.x2,5 |
| 39 | F61 1369 | 1 | Schlauchstück | Hose part | G1/2 ZL |
| 40 | 30110622 | 2 | Senkschraube | Countersunk bolt | M8x30 DIN965 A2 |
| 41 | 30110174 | 2 | Sechskantschraube | Hexagon bolt | M8x50-A2 DIN933 |
| 42 | 305 6125 | 2 | Scheibe | Washer | D8,4/24x2 A2 DIN9021 |



06.17

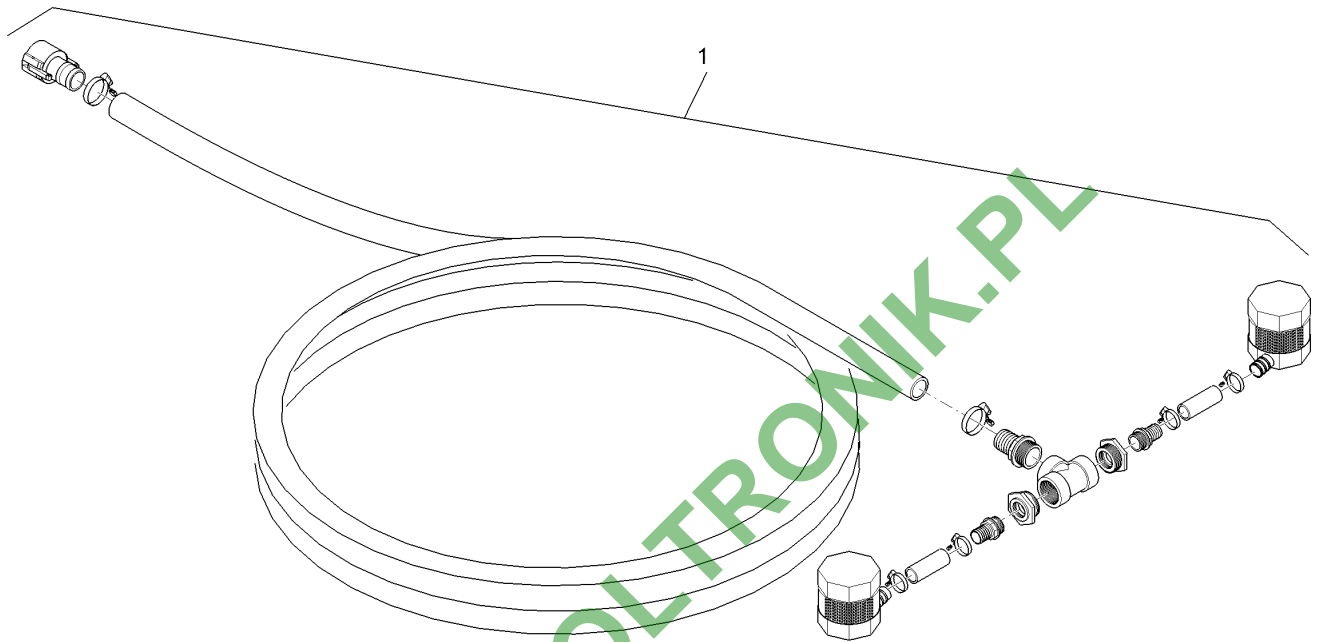
| Pos. | Art.Nr. | Stck. | Artikeltext / Description | | Abmessung |
|------|----------|-------|---------------------------|------------------|-------------------------|
| 1 | 30110640 | 2 | Zylinderschraube | Allen screw | M10x16 DIN912 A2 |
| 2 | F20 0800 | 1 | Passfeder | Adjusting spring | A8x7x40-St60 DIN6885 |
| 3 | F61 1808 | 1 | Schutzhaube | Cover | - |
| 4 | 30110149 | 4 | Sechskantschraube | Hexagon bolt | M12x60-A2 DIN933 |
| 5 | 30310025 | 4 | Sechskantmutter | Hexagon nut | M12 DIN934-A4 |
| 6 | 30310030 | 4 | Sicherungsmutter | Selflocking nut | NM12 DIN985-A4 |
| 7 | 305 8704 | 4 | Scheibe | Washer | A10,5 DIN125-St A2 |
| 8 | 30510103 | 2 | Federring | Spring ring | 10-B DIN127 A2 |



06.17

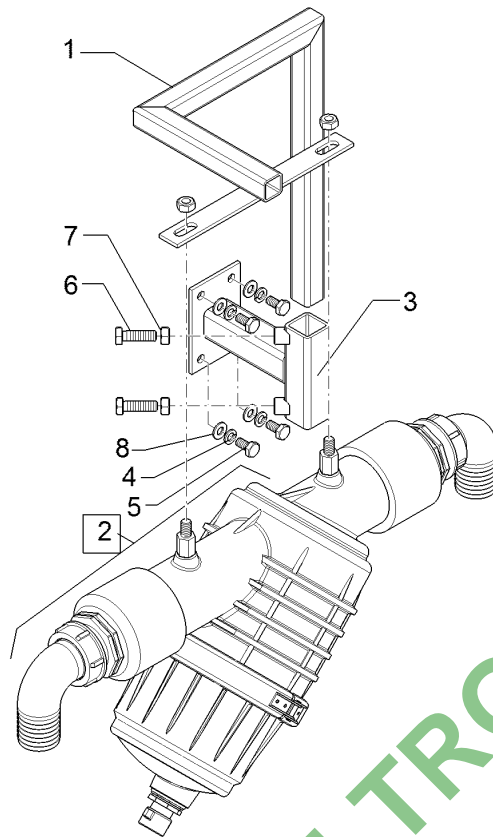
| Pos. | Art.Nr. | Stck. | Artikeltext / Description | Abmessung | |
|------|----------|-------|---------------------------|--------------|--------------------|
| 1 | F01 4510 | 2 | Brücke | Clamp plate | 40x6x120 2xd11 |
| 2 | F02 1876 | 1 | Schlauchhalter | Hose carrier | ET |
| 3 | 305 8704 | 4 | Scheibe | Washer | A10,5 DIN125-St A2 |
| 4 | 30510103 | 4 | Federring | Spring ring | 10-B DIN127 A2 |
| 5 | 301 7510 | 4 | Sechskantschraube | Hexagon bolt | M10x30-A2 DIN933 |
| 6 | F55 0148 | 1 | Stopfen | Plug | R.18a.x1-2 SYN bk |

| | |
|----------------------------------|----------|
| Füllanschluss/Filling connection | 8 |
| EuroTrain 2600 TC / 3500 TC | F06 2113 |



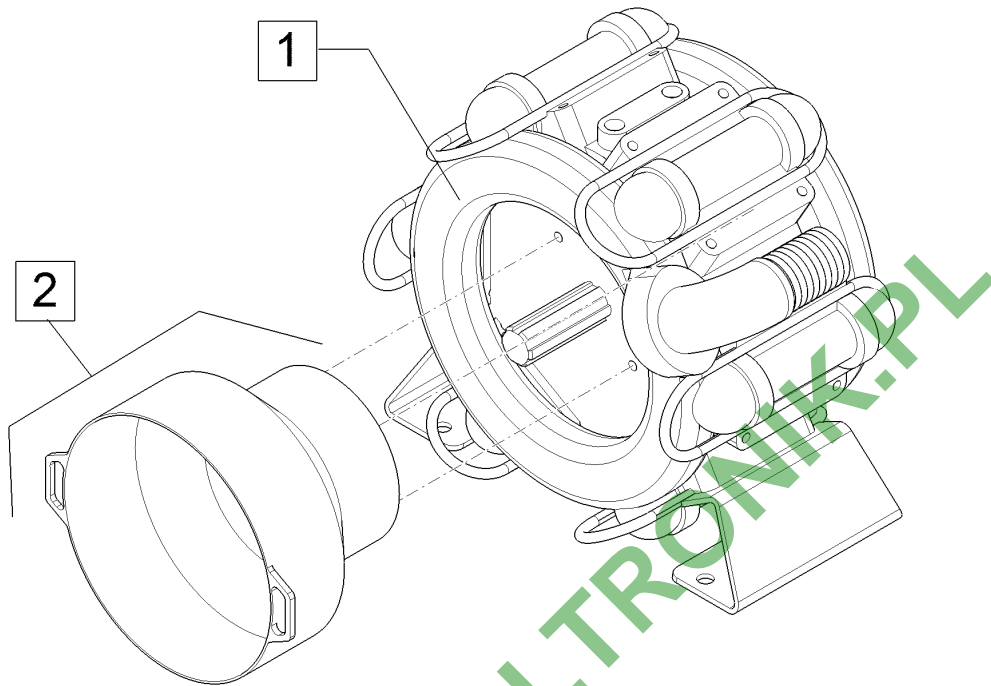
06.17

| Pos. | Art.Nr. | Stck. | Artikeltext / Description | Abmessung |
|------|----------|-------|-------------------------------------|-----------|
| 1 | F02 1527 | 1 | Füllanschluss Filling connection | 8 m 3 ZL |



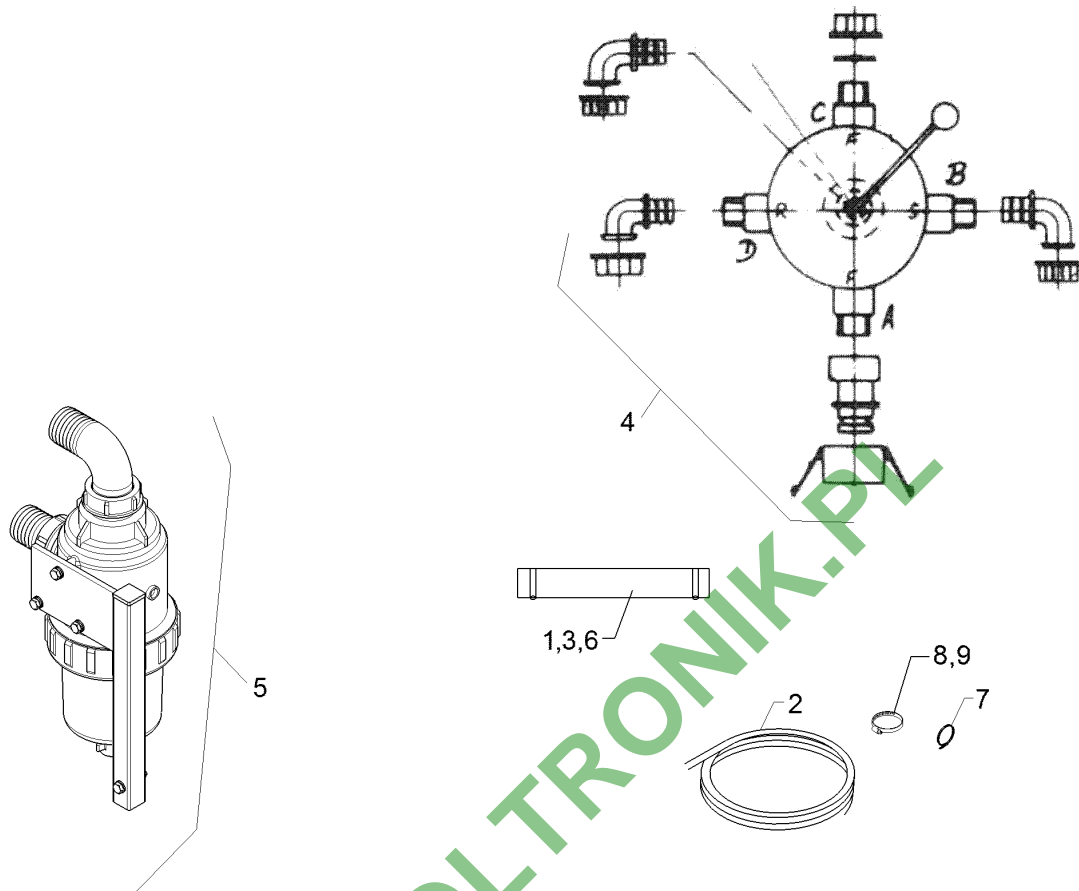
06.17

| Pos. | Art.Nr. | Stck. | Artikeltext / Description | Abmessung | |
|------|----------|-------|---------------------------|----------------|-------------------------|
| 1 | F02 1249 | 1 | Filterhalterung | Filter holder | G3 ZL ET |
| 2 | F02 1859 | 1 | Saugfilter | Suction filter | ET5000 |
| 3 | F02 1860 | 1 | Basishalterung | Basic holder | 3 ZL ET5000 |
| 4 | 305 9900 | 4 | Federring | Spring ring | 10 DIN127 Zn |
| 5 | 301 3199 | 4 | Sechskantschraube | Hexagon bolt | M10x20-8.8 Zn DIN933 |
| 6 | 301 3347 | 2 | Sechskantschraube | Hexagon bolt | M12x40-8.8 Zn DIN933 |
| 7 | 303 1013 | 2 | Sechskantmutter | Hexagon nut | M12 DIN934-8 Zn |
| 8 | 305 8696 | 4 | Scheibe | Washer | A10,5 DIN125-St Zn |



06.17

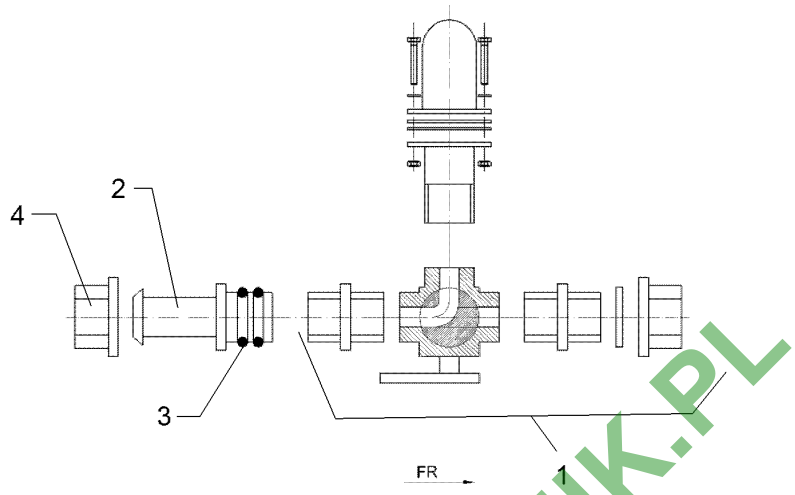
| Pos. | Art.Nr. | Stck. | Artikeltext / Description | Abmessung |
|------|----------|-------|---------------------------|-----------|
| 1 | F03 0425 | 1 | Pumpe | BP280 |
| 2 | F06 1875 | 1 | Pumpe | ET5000 |



06.17

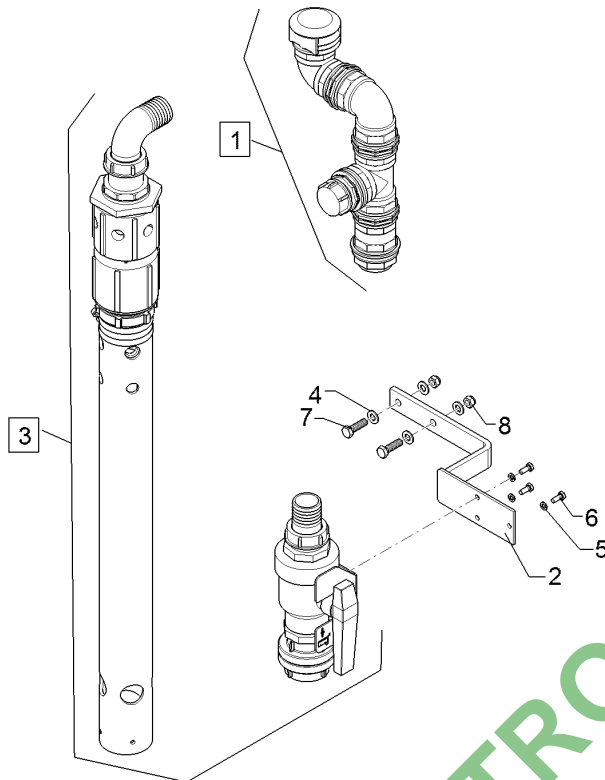
| Pos. | Art.Nr. | Stck. | Artikeltext / Description | Abmessung | |
|------|----------|-------|---------------------------|-----------------|--------------|
| 1 | F01 2191 | 1 | Schlauch | Hose | di50x5,7x520 |
| 2 | F01 2295 | 15 | Schutzschlauch | Guard for hoses | 75i.x250 |
| 3 | F01 2811 | 1 | Schlauch | Hose | di50x5,7x720 |
| 4 | F02 1188 | 1 | Ventil | Valve | 5/.. ET |
| 5 | F03 0344 | 1 | Saugfilter | Suction filter | KPL ET |
| 6 | F11 0867 | 1 | Schlauch | Hose | di50x5,7x280 |
| 7 | F55 0197 | 20 | Kabelbinder | Cable clip | 7,8x360 |
| 8 | F55 0251 | 6 | Schutzkappe | Cap | 12 mm bl |
| 9 | F61 2404 | 6 | Schlauchschelle | Hose clip | D40-D60x12 |

| | |
|-----------------------------|----------|
| Auslauf/Orifice | 8 |
| EuroTrain 2600 TC / 3500 TC | F06 2313 |



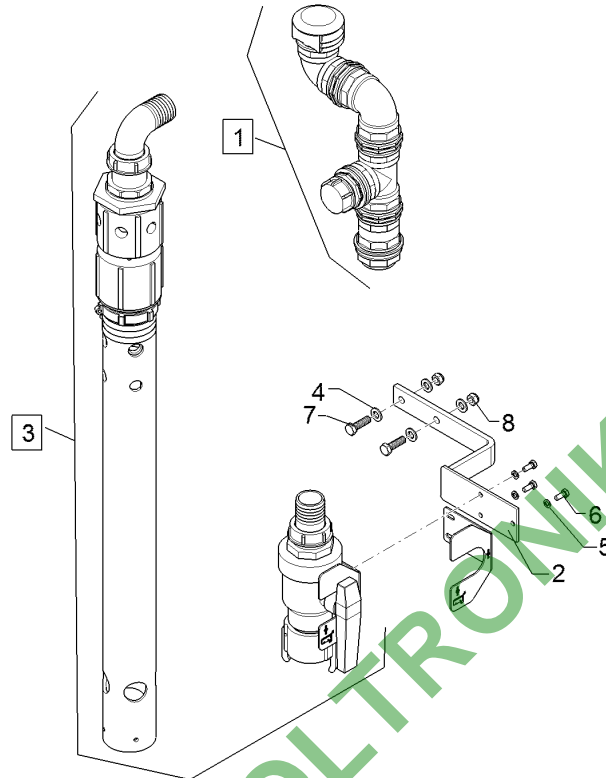
06.17

| Pos. | Art.Nr. | Stck. | Artikeltext / Description | Abmessung |
|------|----------|-------|---------------------------|-----------------|
| 1 | F03 0349 | 1 | Auslauf | Orifice |
| 2 | F61 0860 | 1 | Schlauchanschluss | Hose connection |
| 3 | F61 1904 | 2 | O-Ring | O-ring |
| 4 | F61 0880 | 1 | Überwurfmutter | Union nut |
| | | | | ET |
| | | | | G2ZLÜ 90GRD D50 |
| | | | | 39,3x2,6 |
| | | | | G2ZL |



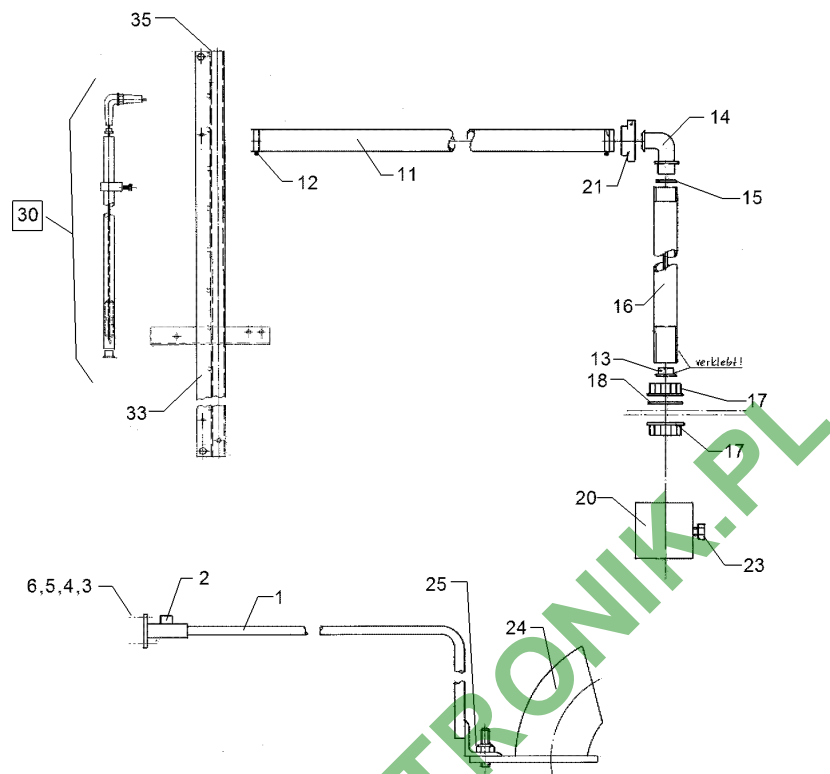
06.17

| Pos. | Art.Nr. | Stck. | Artikeltext / Description | Abmessung | |
|------|----------|-------|---------------------------|-------------------|------------------|
| 1 | F02 1593 | 1 | Belüftungsventil | Ventilation valve | G2 ZL ET |
| 2 | F02 4588 | 1 | Halter | Holder | 425x135x70 |
| 3 | F06 0328 | 1 | Befülldom | Filling dome | KPL ET |
| 4 | 305 8709 | 4 | Scheibe | Washer | 13 DIN125-A A2 |
| 5 | 30510102 | 3 | Federring | Spring ring | 8 Form B-V2A |
| 6 | 301 6751 | 3 | Sechskantschraube | Hexagon bolt | DIN127 |
| 7 | 301 7538 | 2 | Sechskantschraube | Hexagon bolt | M8x20-A2 DIN933 |
| 8 | 30310030 | 2 | Sicherungsmutter | Selflocking nut | M12x40 A2 DIN933 |
| | | | | | NM12 DIN985-A4 |



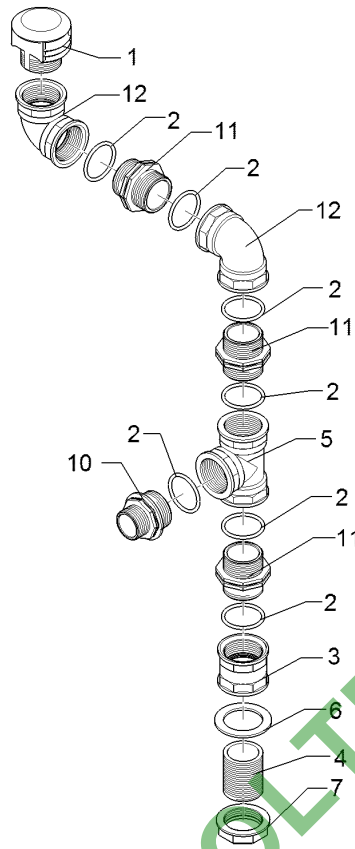
06.17

| Pos. | Art.Nr. | Stck. | Artikeltext / Description | Abmessung |
|------|----------|-------|---------------------------|------------------|
| 1 | F02 1593 | 1 | Belüftungsventil | G2 ZL ET |
| 2 | F02 4588 | 1 | Halter | 425x135x70 |
| 3 | F06 0320 | 1 | Hydrantbefüllung | ET |
| 4 | 305 8709 | 4 | Scheibe | 13 DIN125-A A2 |
| 5 | 30510102 | 3 | Federring | 8 Form B-V2A |
| 6 | 301 6751 | 3 | Sechskantschraube | DIN127 |
| 7 | 301 7538 | 2 | Sechskantschraube | M8x20-A2 DIN933 |
| 8 | 30310030 | 2 | Sicherungsmutter | M12x40 A2 DIN933 |
| | | | | NM12 DIN985-A4 |



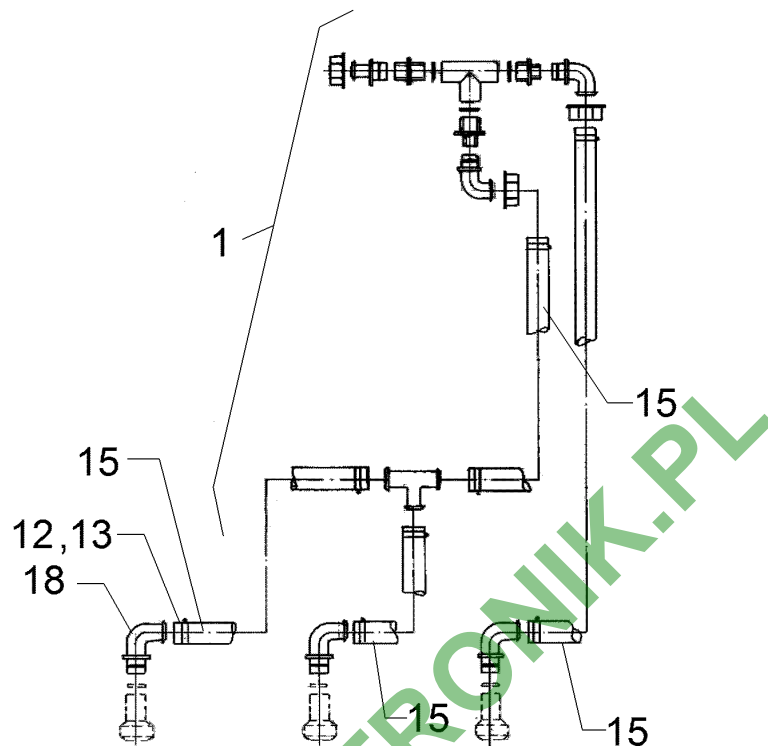
06.17

| Pos. | Art.Nr. | Stck. | Artikeltext / Description | Abmessung | |
|------|----------|-------|---------------------------|-----------------|-----------------|
| 1 | F02 0621 | 1 | Führung | Guiding | - |
| 2 | F02 0579 | 1 | Stäbeaufnahme | Holder | EL |
| 3 | 30110172 | 2 | Sechskantschraube | Hexagon bolt | M6x35-A2 DIN933 |
| 4 | 30310042 | 2 | Sicherungsmutter | Selflocking nut | NM6 DIN985-A4 |
| 5 | 305 8703 | 2 | Scheibe | Washer | 6,4 DIN9021 A2 |
| 6 | F61 1965 | 2 | Dichtring | Seal ring | M6 |
| 10 | F55 0250 | 2 | Schutzkappe | Cap | bl 9mm |
| 11 | F01 2142 | 1 | Wellrohr | Corrugated tube | 18i.x1520 |
| 12 | F61 2399 | 2 | Schlauchschelle | Hose clip | D16-D27x9 |
| 13 | F01 0938 | 1 | Stopfen | Plug | R. 22a.x1-2 bk |
| 14 | F61 0944 | 1 | Zapfen | Pivot | G3/4 ZL |
| 15 | F61 1951 | 1 | Dichtung | Seal | 14x24x2 PVC |
| 16 | F01 0937 | 1 | Distanzrohr | Distance tube | - |
| 17 | 37810670 | 2 | Mutter | Nut | G3/4ZLI |
| 18 | F61 1907 | 1 | Dichtung | Seal | 39,5x2,5x27,5 |
| 19 | F03 4595 | 1 | Füllstandsanzeige | Level control | ET3500 |
| 20 | F01 1506 | 1 | Schwimmer | Float | - |
| 21 | 37810578 | 1 | Überwurfmutter | Union nut | G3/4 ZL |
| 23 | F20 0129 | 1 | Sechskantschraube | Hexagon bolt | M10x40 |
| 24 | F03 0232 | 1 | Sauganschluss | Suction nipple | - |
| 25 | 30310043 | 2 | Sicherungsmutter | Selflocking nut | NM8 DIN985-A4 |
| 30 | F01 0936 | 1 | Stopfen | Plug | R. 15a.x1-2 bk |



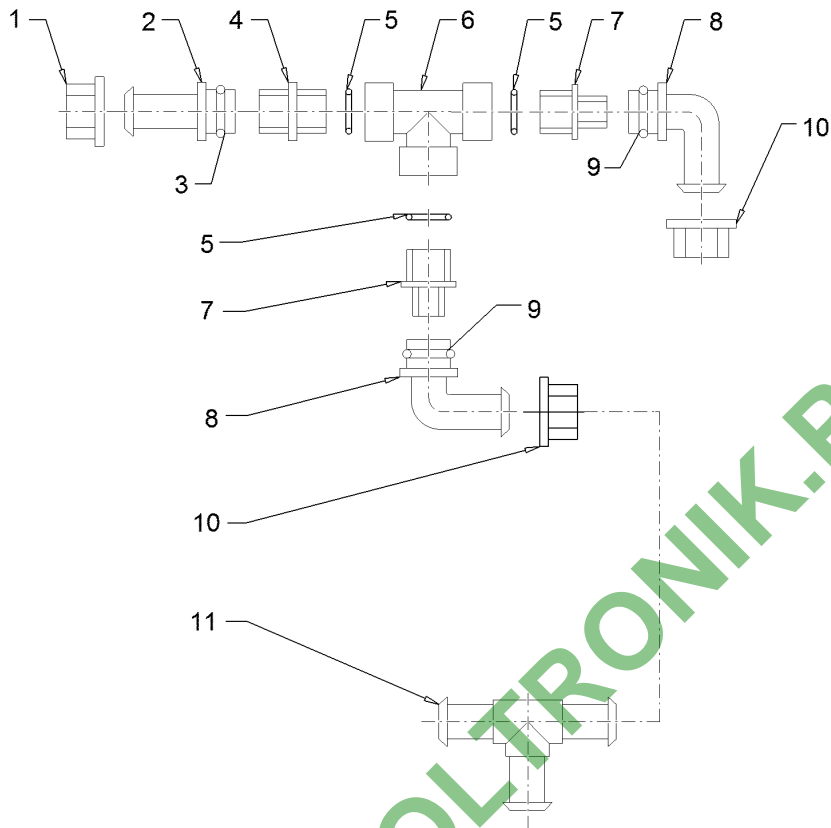
06.17

| Pos. | Art.Nr. | Stck. | Artikeltext / Description | Abmessung |
|------|----------|-------|---------------------------|-----------------|
| 1 | F61 1173 | 1 | Behälterentlüftung | Hopper venting |
| 2 | F61 2039 | 7 | O-Ring | O-ring |
| 3 | 37810441 | 1 | Muffe | Sleeve |
| 4 | F61 0905 | 1 | Nippel | Nipple |
| 5 | F61 1476 | 1 | T-Stück | T-piece |
| 6 | F61 1911 | 1 | Dichtung | Seal |
| 7 | 37810674 | 1 | Mutter | Nut |
| 10 | 37810499 | 1 | Adapter | Adapter |
| 11 | 37810478 | 3 | Adapter | Adapter |
| 12 | F61 1478 | 2 | Bogen | Curve |
| | | | | G2 ZLA |
| | | | | 55x5 |
| | | | | G2 ZLI |
| | | | | G2ZLA |
| | | | | G2ZLI |
| | | | | 86x4x59 |
| | | | | G2ZLI |
| | | | | G2ZLA G1-1/2ZLA |
| | | | | G2ZLA G2ZLA |
| | | | | G2ZLII 90GRD |



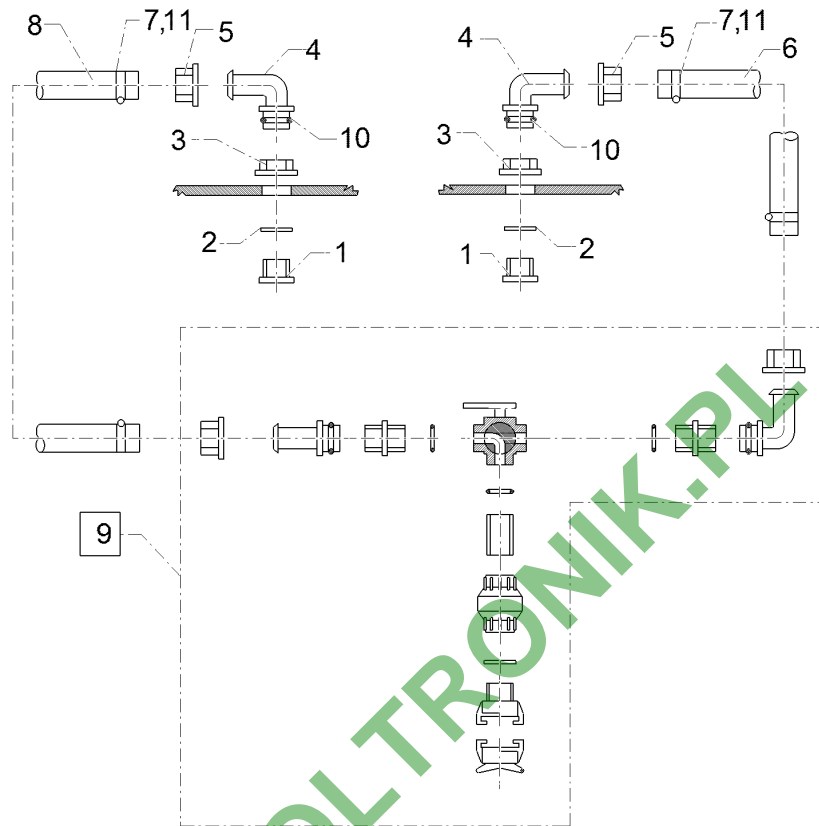
06.17

| Pos. | Art.Nr. | Stck. | Artikeltext / Description | Abmessung | |
|------|----------|-------|---------------------------|-------------------|--------------------|
| 1 | F13 0380 | 1 | Behälterinnenreinigung | Interior cleaning | ET2600/3500 |
| 12 | F55 0250 | 8 | Schutzkappe | Cap | bl 9mm |
| 13 | F61 2401 | 8 | Schlauchschelle | Hose clip | D12-D22x9 |
| 15 | 37810714 | 1 | Schlauch | Hose | di16x4,8 M-Ware bk |
| 18 | F01 1126 | 3 | Anschluss | Connection | G1/2 ZL 15 mm |



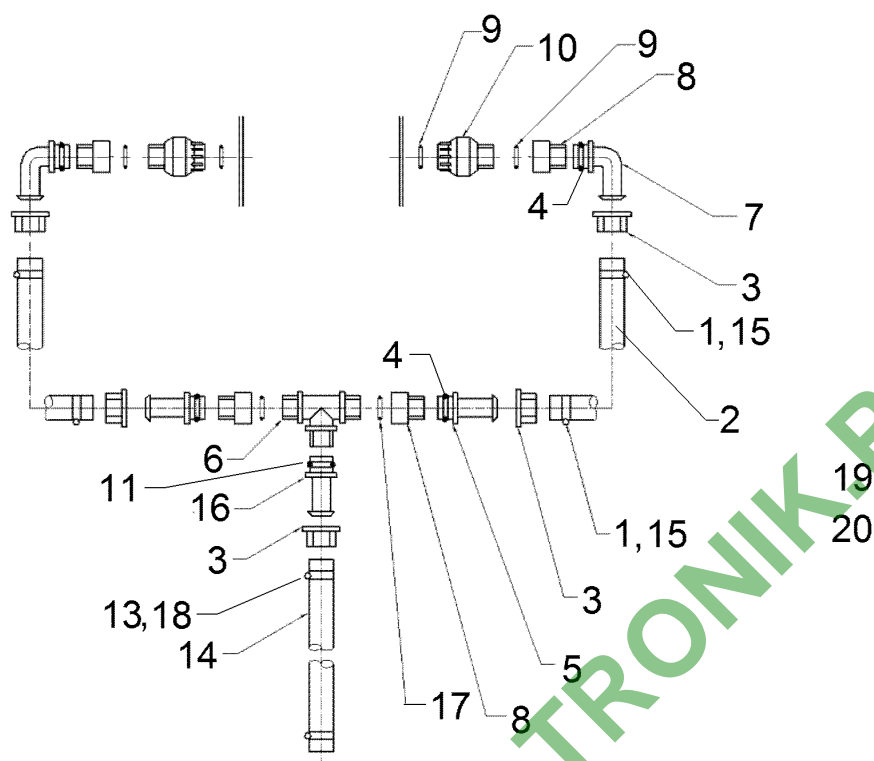
06.17

| Pos. | Art.Nr. | Stck. | Artikeltext / Description | Abmessung | |
|------|----------|-------|---------------------------|-----------------|------------------------|
| 1 | 37810580 | 1 | Überwurfmutter | Union nut | G1-1/4 ZL |
| 2 | F61 0830 | 1 | Schlauchanschluss | Hose connection | G1-1/4ZLÜ 0GRD D25 |
| 3 | 37810281 | 1 | O-Ring | O-ring | 26,7x2,6 |
| 4 | 37810476 | 1 | Adapter | Adapter | G1-1/4ZLA G1-1/4ZLA |
| 5 | F61 1974 | 3 | O-Ring | O-ring | 37,47x5,35 |
| 6 | F61 0995 | 1 | T-Stück | T-piece | G1-1/4ZLI |
| 7 | 37810495 | 2 | Adapter | Adapter | G1-1/4ZLA G3/4ZLA |
| 8 | F61 0944 | 2 | Zapfen | Pivot | G3/4 ZL |
| 9 | F61 1951 | 2 | Dichtung | Seal | 14x24x2 PVC |
| 10 | 37810578 | 2 | Überwurfmutter | Union nut | G3/4 ZL |
| 11 | F61 1281 | 1 | T-Stück | T-piece | TS 16 PVC |



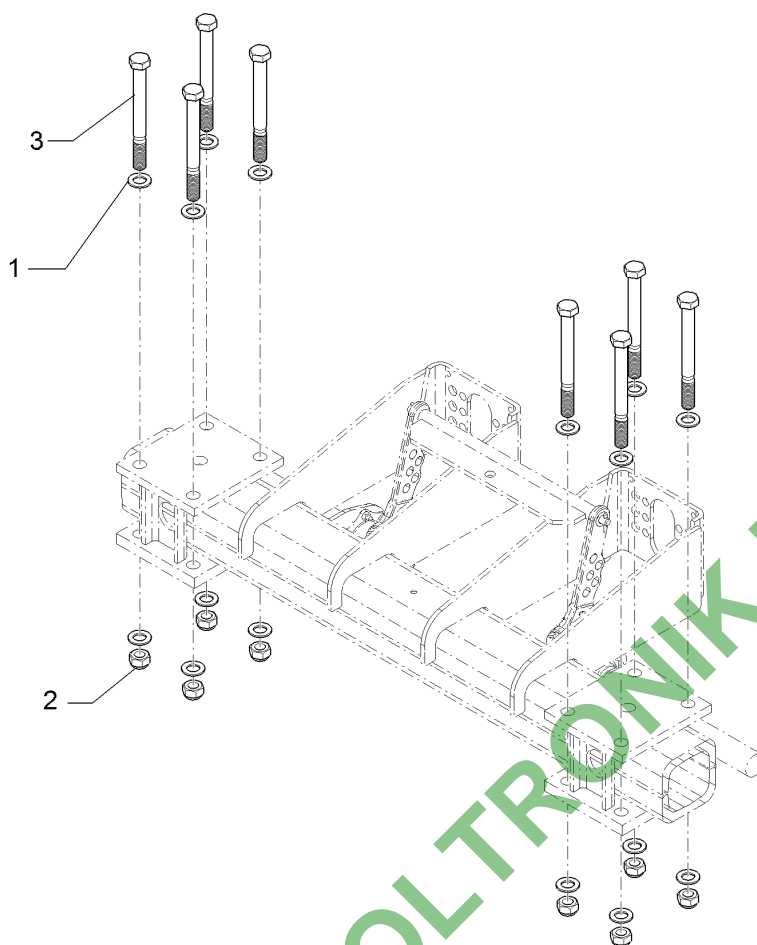
06.17

| Pos. | Art.Nr. | Stck. | Artikeltext / Description | Abmessung | |
|------|----------|-------|---------------------------|-----------------|------------------------|
| 1 | F61 0895 | 2 | Ablaufstutzen | Stud | G1-1/4ZLA |
| 2 | F61 1909 | 2 | Dichtung | Seal | 40x60x4 |
| 3 | 37810672 | 2 | Mutter | Nut | G1-1/4ZLI |
| 4 | F61 0851 | 2 | Schlauchanschluss | Hose connection | G1-1/4ZLÜ 90GRD D25 |
| 5 | 37810580 | 2 | Überwurfmutter | Union nut | G1-1/4 ZL |
| 6 | F11 1005 | 1 | Schlauch | Hose | di25x3,5x2700 |
| 7 | F61 2400 | 4 | Schlauchschelle | Hose clip | D20-D32x9 |
| 8 | F11 1006 | 1 | Schlauch | Hose | di25x3,5x1900 |
| 9 | F02 1895 | 1 | Hahngruppe | --- | ET |
| 10 | 37810281 | 2 | O-Ring | O-ring | 26,7x2,6 |
| 11 | F55 0250 | 4 | Schutzkappe | Cap | bl 9mm |
| 12 | F01 2295 | 3 | Schutzschlauch | Guard for hoses | 75i.x250 |
| 13 | F55 0197 | 6 | Kabelbinder | Cable clip | 7,8x360 |



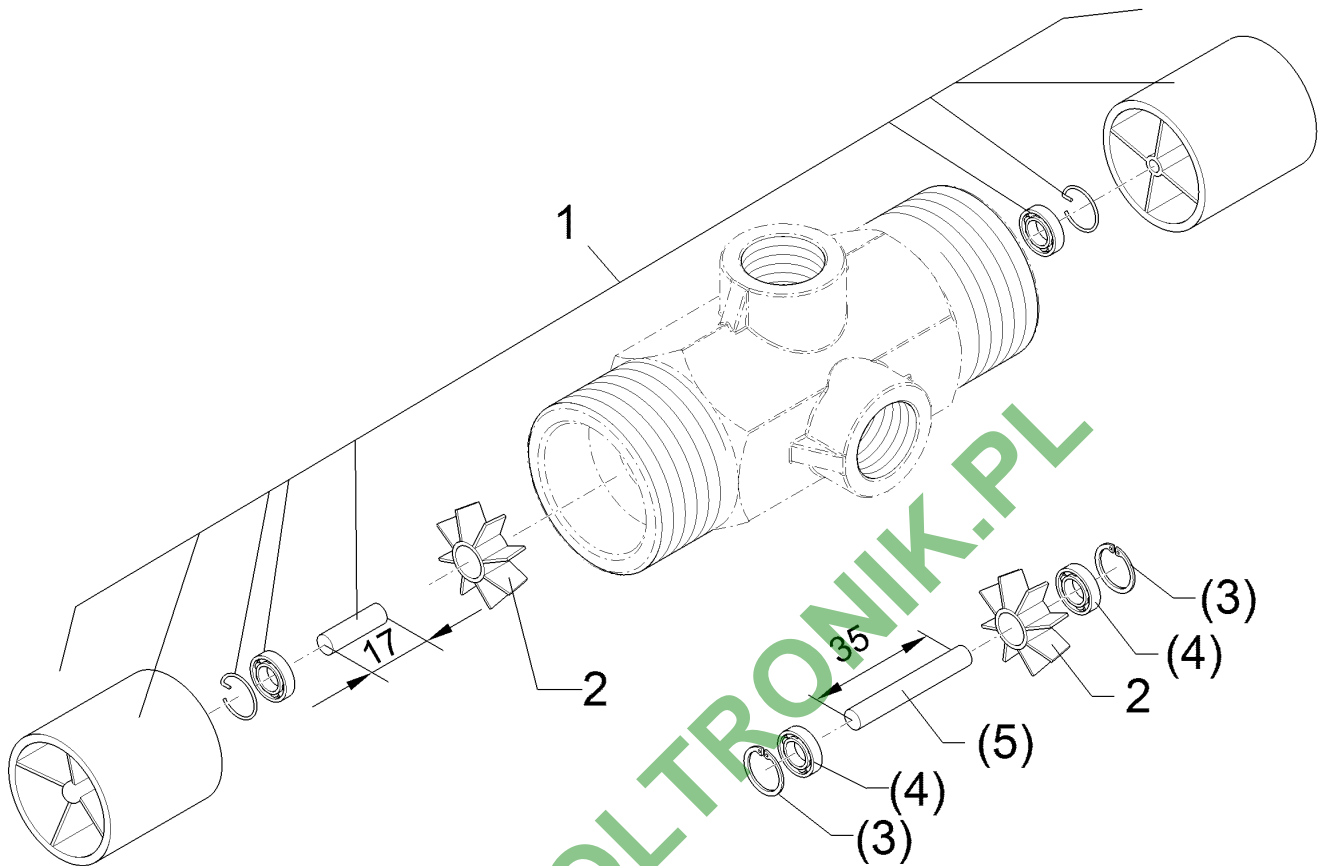
06.17

| Pos. | Art.Nr. | Stck. | Artikeltext / Description | Abmessung | |
|------|----------|-------|---------------------------|-----------------|------------------------|
| 1 | F61 2402 | 4 | Schlauchschelle | Hose clip | D25-D40x9 |
| 2 | F11 1008 | 2 | Schlauch | Hose | di32x4,2x2400 |
| 3 | 37810581 | 4 | Überwurfmutter | Union nut | G1-1/2 ZL |
| 4 | 37810283 | 4 | O-Ring | O-ring | 29,2x3 |
| 5 | F61 0833 | 2 | Schlauchanschluss | Hose connection | G1-1/2ZLÜ 0GRD D32 |
| 6 | F61 1408 | 1 | T-Stück | T-piece | G2ZLA |
| 7 | F61 0855 | 2 | Schlauchanschluss | Hose connection | G1-1/2ZLÜ 90GRD D32 |
| 8 | 37810433 | 4 | Adapter | Adapter | G2 ZLI G1 1/2 ZLA |
| 9 | F61 2276 | 4 | O-Ring | O-ring | 55x4 |
| 10 | F02 1220 | 2 | Rückschlagventil | Nonreturn valve | G2 ZL ET |
| 11 | 37810275 | 2 | O-Ring | O-ring | 39,3x2,6 |
| 12 | 37810582 | 1 | Überwurfmutter | Union nut | G2 ZL |
| 13 | F61 2404 | 2 | Schlauchschelle | Hose clip | D40-D60x12 |
| 14 | F11 0909 | 1 | Schlauch | Hose | di50x5,7x1400 |
| 15 | F55 0250 | 4 | Schutzkappe | Cap | bl 9mm |
| 16 | F61 0837 | 1 | Schlauchanschluss | Hose connection | G2ZLÜ 0GRD D50 |
| 17 | F61 2039 | 2 | O-Ring | O-ring | 55x5 |
| 18 | F55 0251 | 2 | Schutzkappe | Cap | 12 mm bl |
| 19 | F55 0197 | 20 | Kabelbinder | Cable clip | 7,8x360 |
| 20 | F01 2295 | 10 | Schutzschlauch | Guard for hoses | 75i.x250 |



06.17

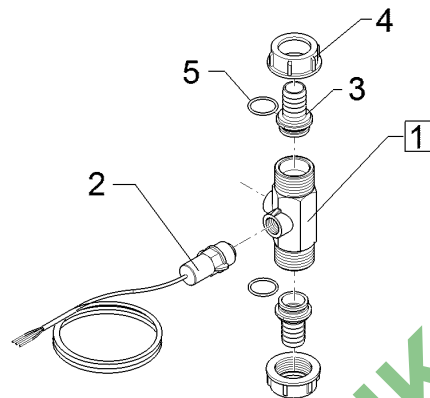
| Pos. | Art.Nr. | Stck. | Artikeltext / Description | Abmessung |
|------|----------|-------|-------------------------------------|----------------------------|
| 1 | 305 6017 | 16 | Scheibe Washer | 21/37x3 A2 DIN125 |
| 2 | 303 0936 | 8 | Sicherungsmutter Selflocking nut | NM20-8 Zn DIN985 |
| 3 | 301 4548 | 8 | Sechskantschraube Hexagon bolt | M20x200-8.8 Zn DIN931-A |



06.17

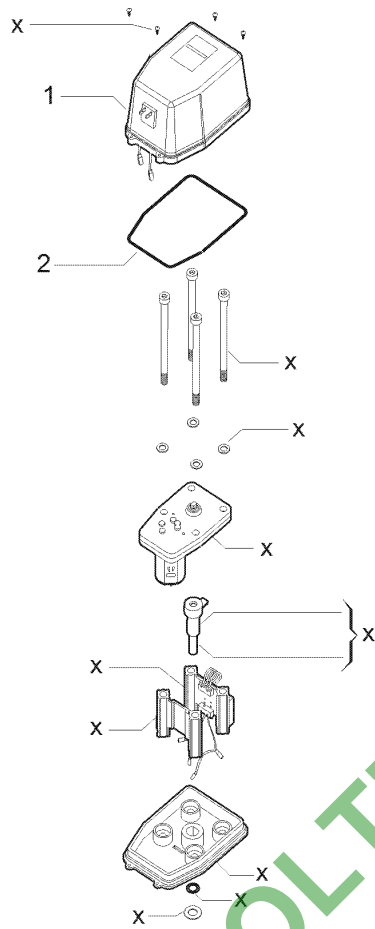
| Pos. | Art.Nr. | Stck. | Artikeltext / Description | Abmessung |
|------|----------|-------|---------------------------|-----------------|
| 1 | F40 0518 | 1 | Reparatursatz | 1 ZL |
| 2 | F40 0413 | 1 | Flügelrad | 1ZL DFM |
| 3 | F20 0179 | 2 | Sicherungsring | DFM Polmac 1 ZL |
| 4 | F25 0335 | 2 | Kugellager | 1 Z |
| 5 | F40 0414 | 1 | Achse | l=35mm |

| | |
|-----------------------------|----------|
| Durchflussmesser/Flowmeter | 8 |
| EuroTrain 2600 TC / 3500 TC | F40 0408 |



06.17

| Pos. | Art.Nr. | Stck. | Artikeltext / Description | Abmessung |
|------|----------|-------|--------------------------------------|-----------------------|
| 1 | F40 0374 | 1 | Durchflussmesser Flowmeter | G1-1/4ZLA 1ZL Titan |
| 2 | F40 0568 | 4 | Sensor Sensor | 2m |
| 3 | F61 0830 | 2 | Schlauchanschluss Hose connection | G1-1/4ZLÜ 0GRD D25 |
| 4 | 37810580 | 2 | Überwurfmutter Union nut | G1-1/4 ZL |
| 5 | 37810281 | 2 | O-Ring O-ring | 26,7x2,6 |

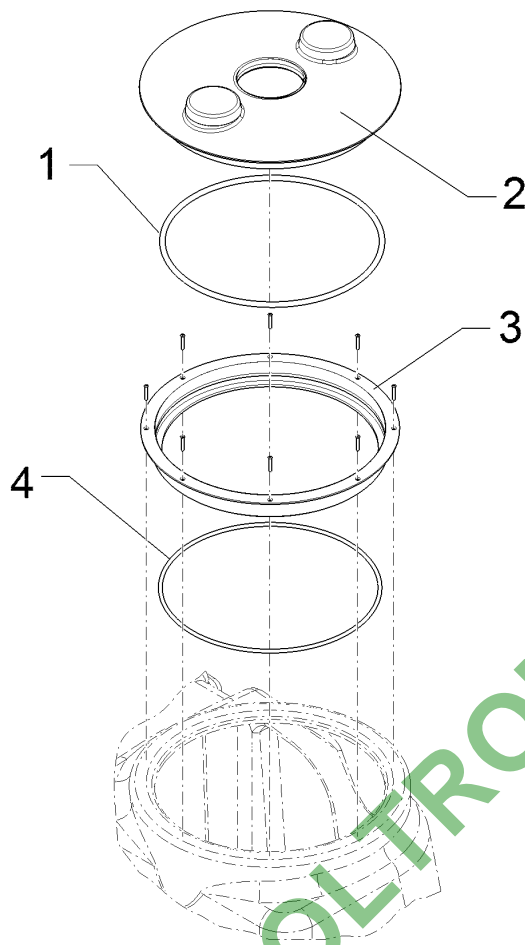


06.17

| Pos. | Art.Nr. | Stck. | Artikeltext / Description | Abmessung |
|------|----------|-------|---------------------------|-----------|
| 1 | F61 4671 | 1 | Motorkappe | - |
| 2 | F61 4672 | 1 | O-Ring | - |

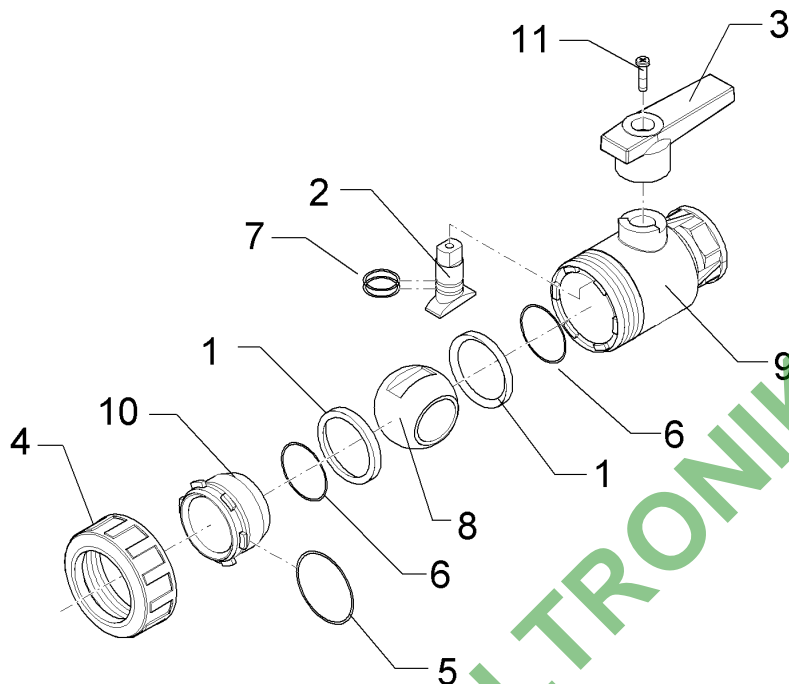
| | |
|------------|---|
| Deckel/Cap | 8 |
|------------|---|

| | |
|-----------------------------|----------|
| EuroTrain 2600 TC / 3500 TC | F45 0225 |
|-----------------------------|----------|



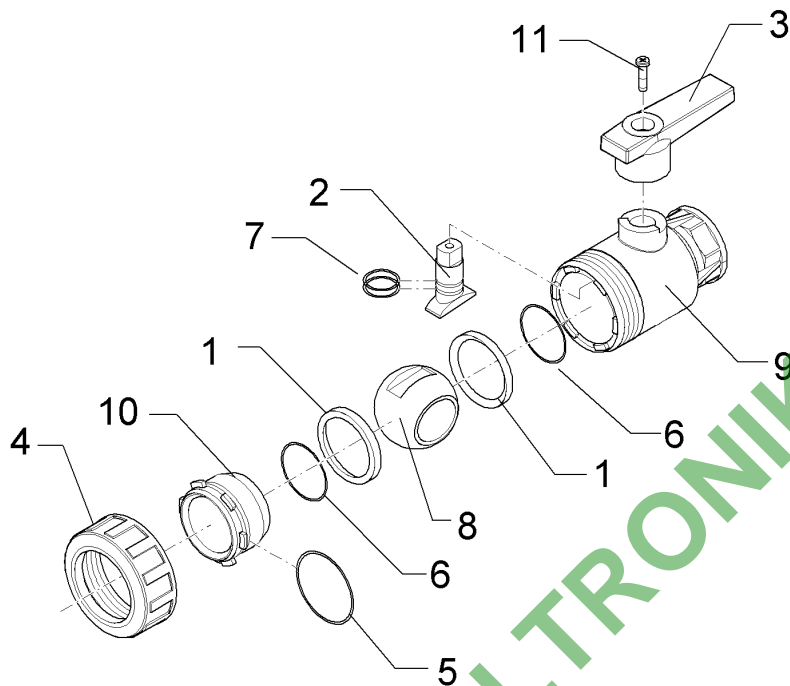
06.17

| Pos. | Art.Nr. | Stck. | Artikeltext / Description | Abmessung |
|------|----------|-------|---------------------------|-------------------------|
| 1 | F45 0194 | 1 | Dichtung Seal | für Deckel TC 390x10 |
| 2 | F45 0202 | 1 | Deckel Cap | 400 |
| 3 | F45 0207 | 1 | Gewinding Ring nut | D=400 |
| 4 | F45 0234 | 1 | Dichtring Seal ring | - |



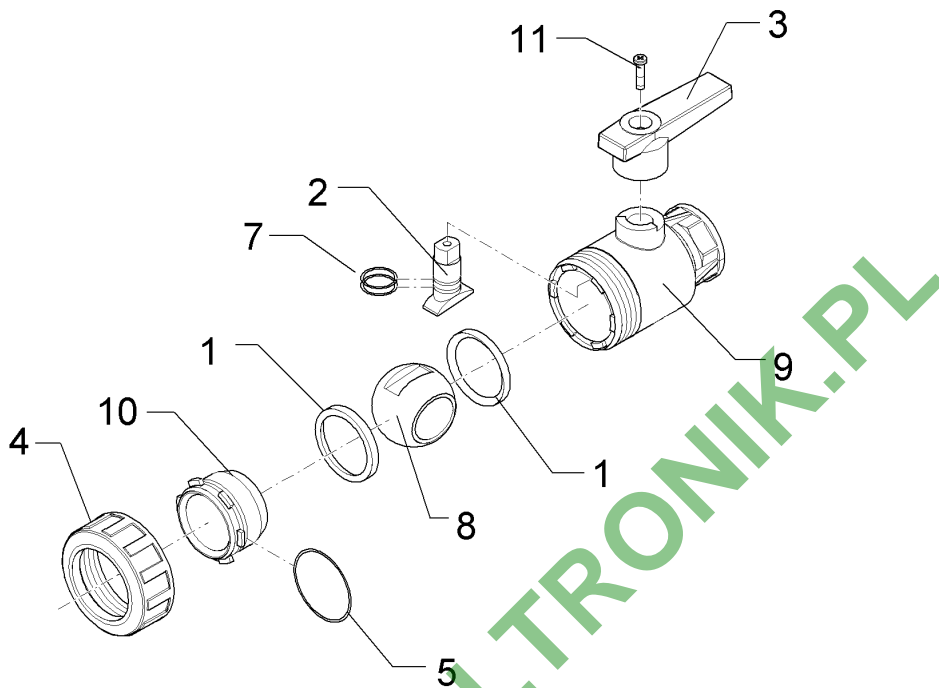
06.17

| Pos. | Art.Nr. | Stck. | Artikeltext / Description | Abmessung | |
|------|----------|-------|---------------------------|-----------|-------------------|
| 1 | F61 0169 | 2 | Kugeldichtring | Seal ring | G1/2 ZL - G3/4 ZL |
| 2 | F61 0170 | 1 | Achse | Axle | - |
| 3 | F61 0171 | 1 | Hebel | Lever | G1/2-3/4 ZL |
| 4 | F61 1223 | 1 | Überwurfmutter | Union nut | G1/2 - 3/4 ZL |
| 5 | F61 2113 | 1 | O-Ring | O-ring | 37,7x2,6 |
| 6 | F61 1932 | 2 | O-Ring | O-ring | 25x3 |
| 7 | F61 2114 | 2 | O-Ring | O-ring | 11,8x2,6 |
| 8 | F61 2467 | 1 | Ventilkugel | 3/2-Wege | G1/2 ZL - G3/4 ZL |
| 9 | F61 4563 | 1 | Gehäuse | Housing | G1/2" |
| 10 | F61 4575 | 1 | Flansch | Flange | G1/2" |
| 11 | 30110330 | 1 | Schraube | Screw | D4x16 A2 |



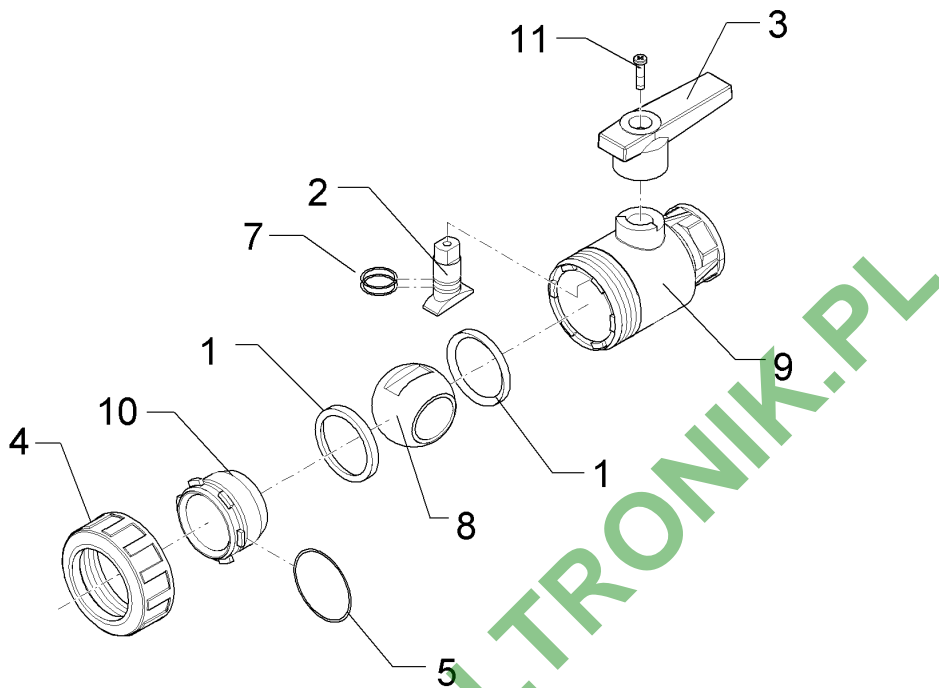
06.17

| Pos. | Art.Nr. | Stck. | Artikeltext / Description | Abmessung | |
|------|----------|-------|---------------------------|-----------|-------------------|
| 1 | F61 0169 | 2 | Kugeldichtring | Seal ring | G1/2 ZL - G3/4 ZL |
| 2 | F61 0170 | 1 | Achse | Axle | - |
| 3 | F61 0171 | 1 | Hebel | Lever | G1/2-3/4 ZL |
| 4 | F61 1223 | 1 | Überwurfmutter | Union nut | G1/2 - 3/4 ZL |
| 5 | F61 2113 | 1 | O-Ring | O-ring | 37,7x2,6 |
| 6 | F61 1932 | 2 | O-Ring | O-ring | 25x3 |
| 7 | F61 2114 | 2 | O-Ring | O-ring | 11,8x2,6 |
| 8 | F61 2467 | 1 | Ventilkugel | 3/2-Wege | G1/2 ZL - G3/4 ZL |
| 9 | F61 4563 | 1 | Gehäuse | Housing | G1/2" |
| 10 | F61 4227 | 1 | Flansch | Flange | G3/4 ZL |
| 11 | 30110330 | 1 | Schraube | Screw | D4x16 A2 |



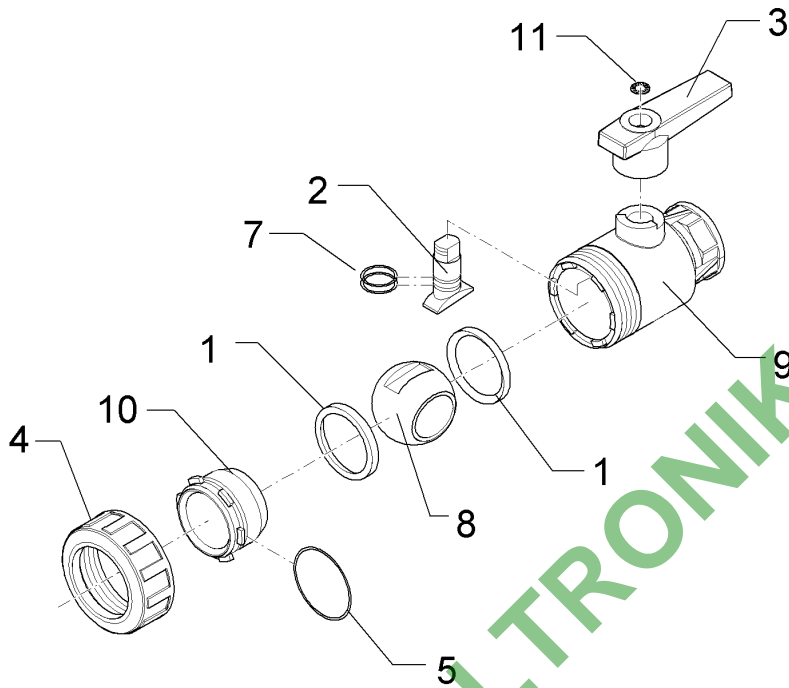
06.17

| Pos. | Art.Nr. | Stck. | Artikeltext / Description | Abmessung | |
|------|----------|-------|---------------------------|-----------|---------------------|
| 1 | F61 0141 | 2 | Kugeldichtring | Seal ring | G1-1/4 ZL |
| 2 | F61 0155 | 1 | Achse | Axle | - |
| 3 | F61 0156 | 1 | Hebel | Lever | G1 1/4ZL - G1 1/2ZL |
| 4 | F61 1225 | 1 | Überwurfmutter | Union nut | G1 1/4 ZL |
| 5 | F61 2117 | 1 | O-Ring | O-ring | 53,6x2,6 |
| 7 | F61 2044 | 2 | O-Ring | O-ring | 12,3x2,6 |
| 8 | F61 2471 | 1 | Ventilkugel | 3/2-Wege | G1-1/4 ZL |
| 9 | F61 4566 | 1 | Gehäuse | Housing | G1-1/4" |
| 10 | F61 4578 | 1 | Flansch | Flange | G1-1/4" |
| 11 | 30110330 | 1 | Schraube | Screw | D4x16 A2 |



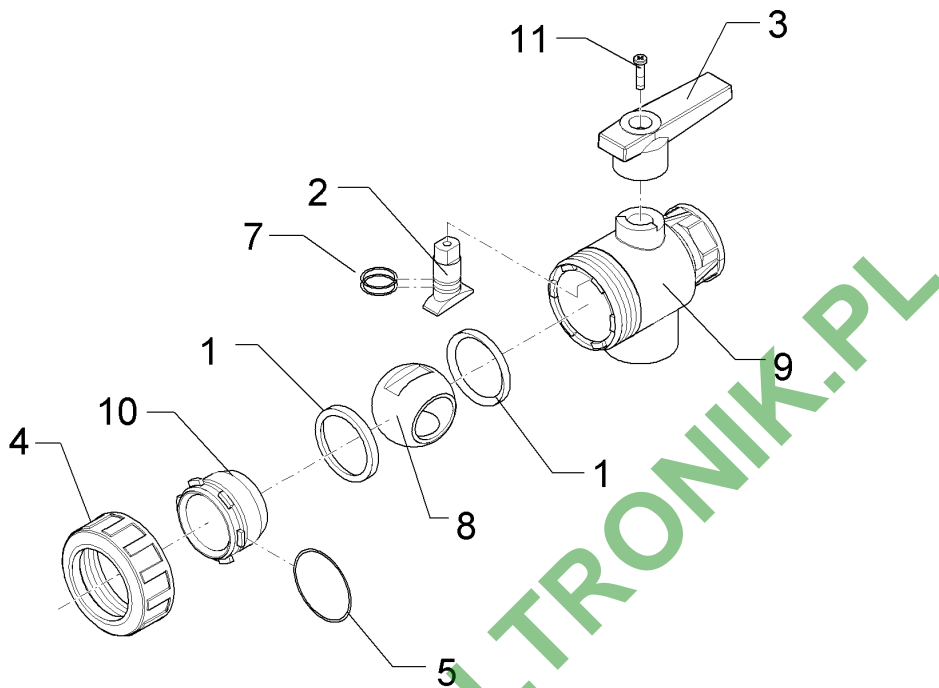
06.17

| Pos. | Art.Nr. | Stck. | Artikeltext / Description | Abmessung | |
|------|----------|-------|---------------------------|-----------|---------------------|
| 1 | F61 0158 | 2 | Kugeldichtring | Seal ring | G1-1/2 ZL |
| 2 | F61 0155 | 1 | Achse | Axle | - |
| 3 | F61 0156 | 1 | Hebel | Lever | G1 1/4ZL - G1 1/2ZL |
| 4 | F61 1226 | 1 | Überwurfmutter | Union nut | G1 1/2 ZL |
| 5 | F61 2119 | 1 | O-Ring | O-ring | 64,7x2,6 |
| 7 | F61 2044 | 2 | O-Ring | O-ring | 12,3x2,6 |
| 8 | F61 2473 | 1 | Ventilkugel | 3/2-Wege | G1-1/2 ZL |
| 9 | F61 4567 | 1 | Gehäuse | Housing | G1-1/2" |
| 10 | F61 4579 | 1 | Flansch | Flange | G1-1/2" |
| 11 | 30110330 | 1 | Schraube | Screw | D4x16 A2 |



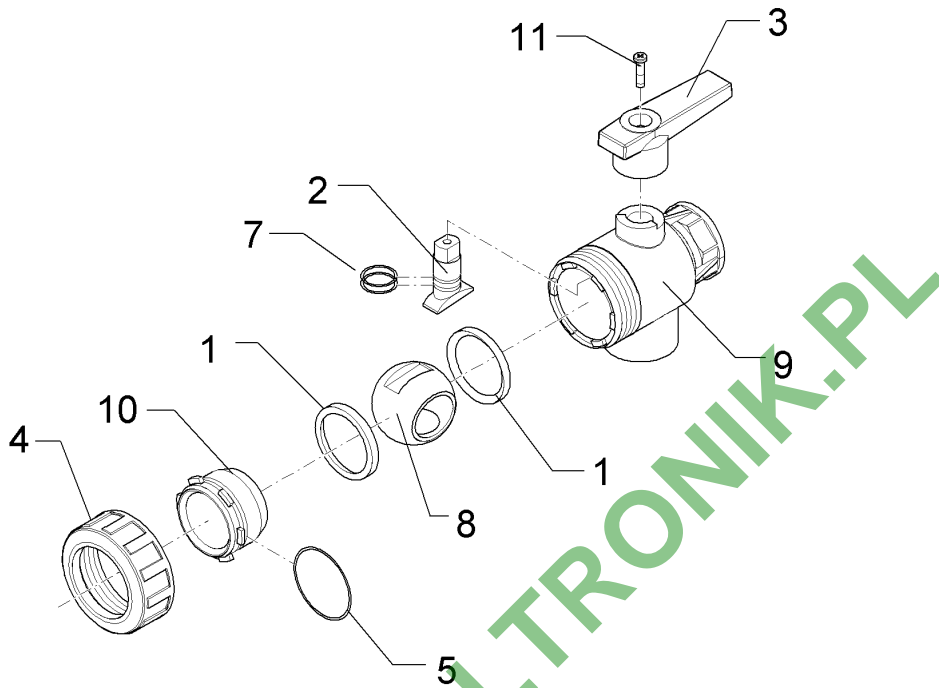
06.17

| Pos. | Art.Nr. | Stck. | Artikeltext / Description | Abmessung | |
|------|----------|-------|---------------------------|----------------|--------------------|
| 1 | F61 0148 | 2 | Kugeldichtring | Seal ring | G2 ZL |
| 2 | F61 0150 | 1 | Achse | Axle | - |
| 3 | F61 0151 | 1 | Hebel | Lever | G2ZL |
| 5 | F61 2240 | 1 | O-Ring | O-ring | 73,03x3,53 |
| 7 | F61 2011 | 2 | O-Ring | O-ring | 20,29x2,62 70Shore |
| 8 | F61 2466 | 1 | Ventilkugel | 3/2-Wege | G2 ZL |
| 9 | F61 4568 | 1 | Gehäuse | Housing | G2" |
| 10 | F61 4580 | 1 | Flansch | Flange | G2" |
| 11 | F25 0539 | 1 | Sicherungsring | Retaining ring | - |



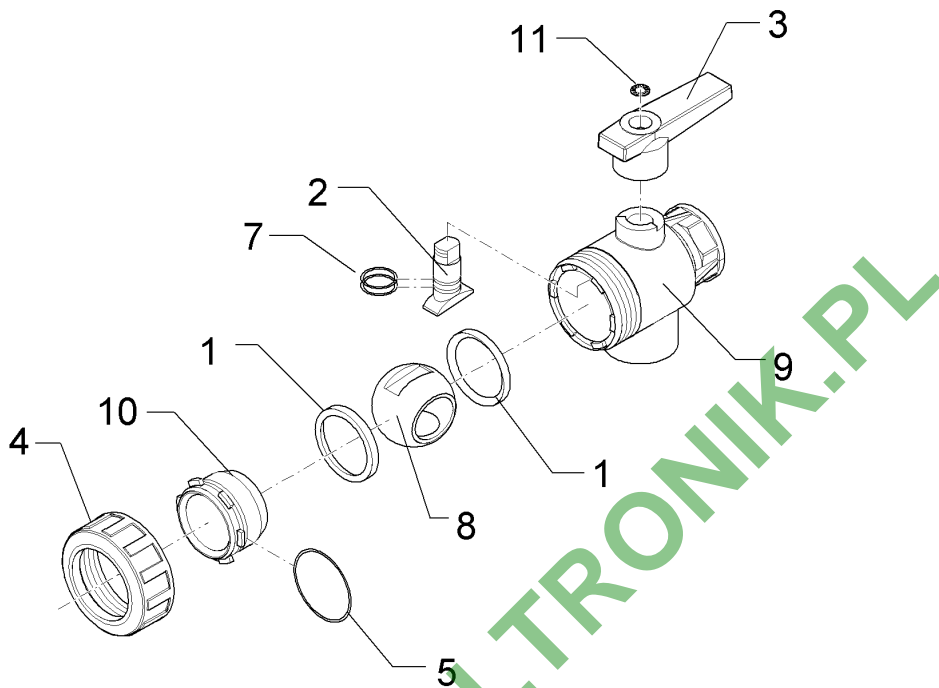
06.17

| Pos. | Art.Nr. | Stck. | Artikeltext / Description | Abmessung | |
|------|----------|-------|---------------------------|-----------|---------------------|
| 1 | F61 0141 | 2 | Kugeldichtring | Seal ring | G1-1/4 ZL |
| 2 | F61 0155 | 1 | Achse | Axle | - |
| 3 | F61 0156 | 1 | Hebel | Lever | G1 1/4ZL - G1 1/2ZL |
| 4 | F61 1225 | 1 | Überwurfmutter | Union nut | G1 1/4 ZL |
| 5 | F61 2117 | 1 | O-Ring | O-ring | 53,6x2,6 |
| 7 | F61 2044 | 2 | O-Ring | O-ring | 12,3x2,6 |
| 8 | F61 2472 | 1 | Ventilkugel | 3/2-Wege | G1-1/4 ZL |
| 9 | F61 4572 | 1 | Gehäuse | Housing | G1-1/4" |
| 10 | F61 4578 | 1 | Flansch | Flange | G1-1/4" |
| 11 | 30110330 | 1 | Schraube | Screw | D4x16 A2 |



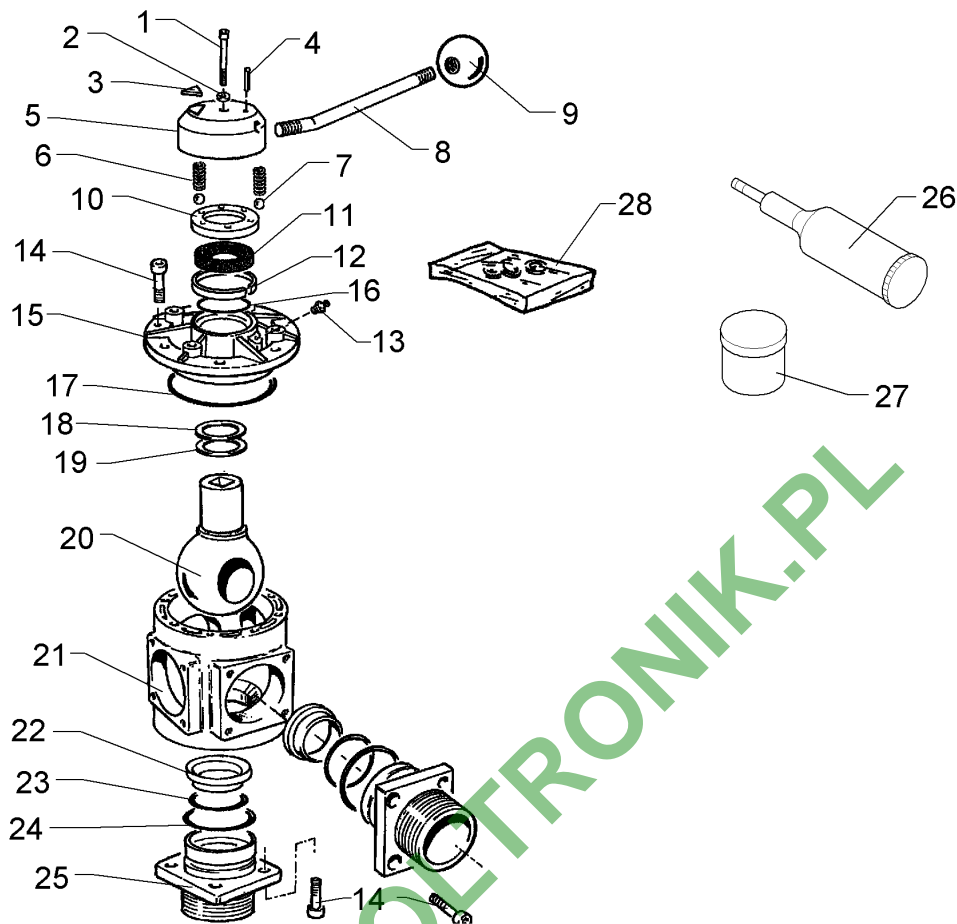
06.17

| Pos. | Art.Nr. | Stck. | Artikeltext / Description | Abmessung | |
|------|----------|-------|---------------------------|-----------|---------------------|
| 1 | F61 0141 | 2 | Kugeldichtring | Seal ring | G1-1/4 ZL |
| 2 | F61 0155 | 1 | Achse | Axle | - |
| 3 | F61 0156 | 1 | Hebel | Lever | G1 1/4ZL - G1 1/2ZL |
| 4 | F61 1225 | 1 | Überwurfmutter | Union nut | G1 1/4 ZL |
| 5 | F61 2117 | 1 | O-Ring | O-ring | 53,6x2,6 |
| 7 | F61 2044 | 2 | O-Ring | O-ring | 12,3x2,6 |
| 8 | F61 2476 | 1 | Ventilkugel | 3/2-Wege | G1-1/4 ZL |
| 9 | F61 4572 | 1 | Gehäuse | Housing | G1-1/4" |
| 10 | F61 4578 | 1 | Flansch | Flange | G1-1/4" |
| 11 | 30110330 | 1 | Schraube | Screw | D4x16 A2 |



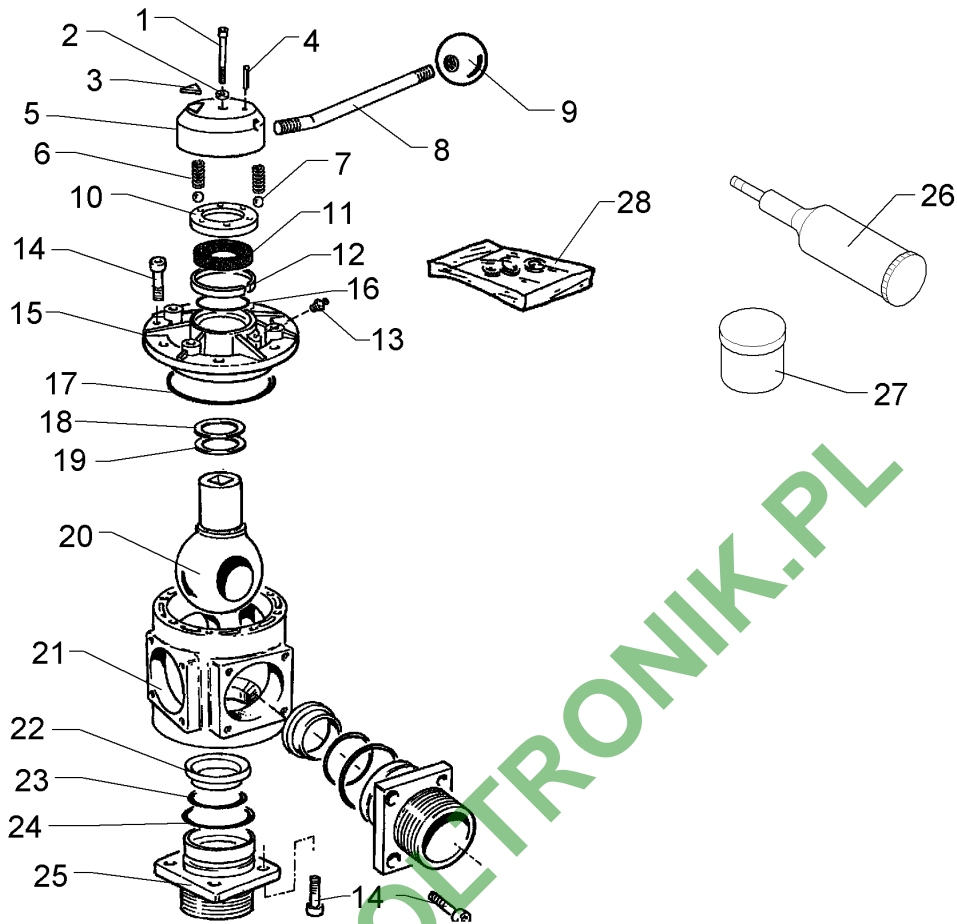
06.17

| Pos. | Art.Nr. | Stck. | Artikeltext / Description | Abmessung | |
|------|----------|-------|---------------------------|----------------|--------------------|
| 1 | F61 0148 | 2 | Kugeldichtring | Seal ring | G2 ZL |
| 2 | F61 0150 | 1 | Achse | Axle | - |
| 3 | F61 0151 | 1 | Hebel | Lever | G2ZL |
| 4 | F61 1222 | 1 | Überwurfmutter | Union nut | G2 ZL |
| 5 | F61 2240 | 1 | O-Ring | O-ring | 73,03x3,53 |
| 7 | F61 2011 | 2 | O-Ring | O-ring | 20,29x2,62 70Shore |
| 8 | F61 2465 | 1 | Ventilkugel | 3/2-Wege | G2 ZL |
| 9 | F61 0147 | 1 | Gehäuse | Housing | G2 ZL |
| 10 | F61 4580 | 1 | Flansch | Flange | G2" |
| 11 | F25 0539 | 1 | Sicherungsring | Retaining ring | - |



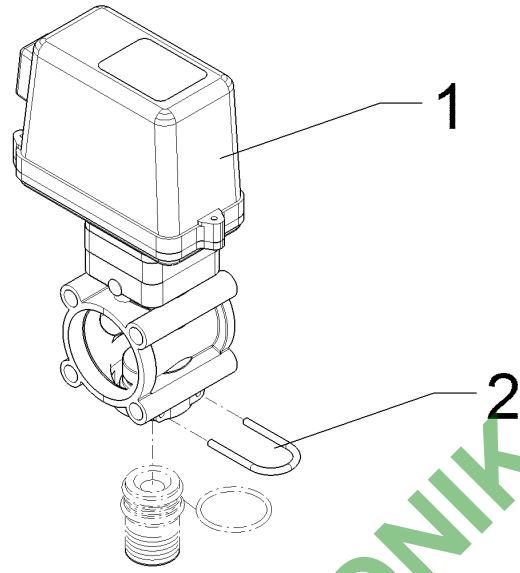
06.17

| Pos. | Art.Nr. | Stck. | Artikeltext / Description | | Abmessung |
|------|----------|-------|---------------------------|-----------------|------------------|
| 1 | F20 0971 | 1 | Schraube | Screw | - |
| 2 | F20 0972 | 1 | Scheibe | Washer | - |
| 3 | F61 4368 | 1 | Dreieck | Triangle | - |
| 4 | F61 4352 | 1 | Stift | Pin | - |
| 5 | F61 0186 | 1 | Achse | Axle | - |
| 6 | F25 0740 | 2 | Feder | Spring | - |
| 7 | F61 4280 | 2 | Kugel | Ball | - |
| 8 | F61 4353 | 1 | Hebel | Lever | - |
| 9 | F61 2488 | 1 | Kugel | Ball | - |
| 10 | F61 4170 | 1 | Arretierscheibe | Stop disk | - |
| 11 | F25 0716 | 1 | Wellendichtring | Oil seal | - |
| 12 | F61 4169 | 1 | Abstreifring | Scraper ring | - |
| 13 | F25 0496 | 1 | Schmiernippel | Grease nipple | - |
| 14 | 30110318 | 24 | Zylinderschraube | Allen screw | M10x20-A4 DIN912 |
| 15 | F61 0185 | 1 | Deckel | Cap | - |
| 16 | F61 4354 | 1 | O-Ring | O-ring | - |
| 17 | F61 4355 | 1 | O-Ring | O-ring | - |
| 18 | F61 4356 | 1 | Distanzscheibe | Distance washer | 1 mm |
| 19 | F61 4357 | 1 | Distanzscheibe | Distance washer | 1,5 mm |
| 20 | F61 4358 | 1 | Kugel | Ball | - |
| 21 | F61 4369 | 1 | Gehäuse | Housing | - |
| 22 | F61 4359 | 5 | Kugelsitz | -- | - |
| 23 | F61 4360 | 5 | O-Ring | O-ring | - |



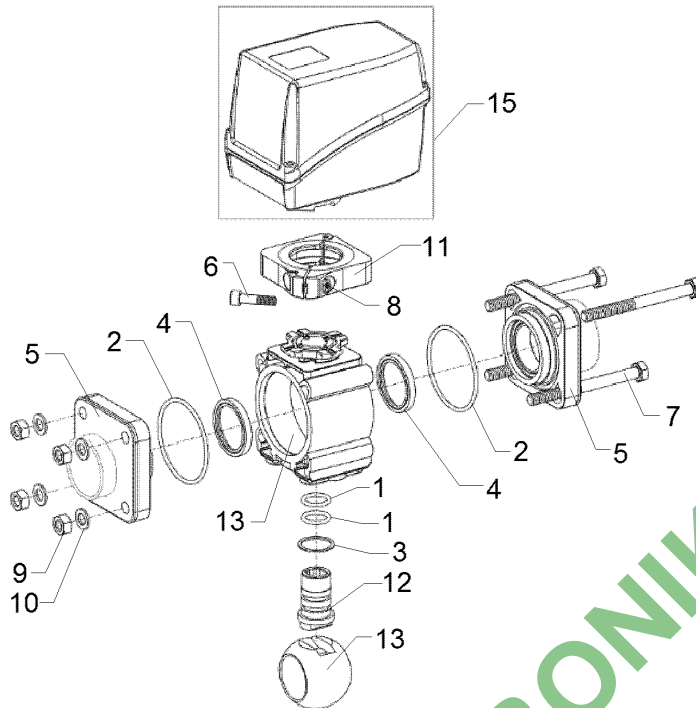
06.17

| Pos. | Art.Nr. | Stck. | Artikeltext / Description | Abmessung |
|------|----------|-------|---------------------------|-----------|
| 24 | F61 4361 | 5 | O-Ring | O-ring |
| 25 | F61 4268 | 5 | Anschlussflansch | Flange |
| 26 | F95 0228 | 1 | Fettpresse | -- |
| 27 | F95 0220 | 1 | Schmierfett | Grease |
| 28 | F61 0190 | 1 | Dichtungssatz | Seal set |



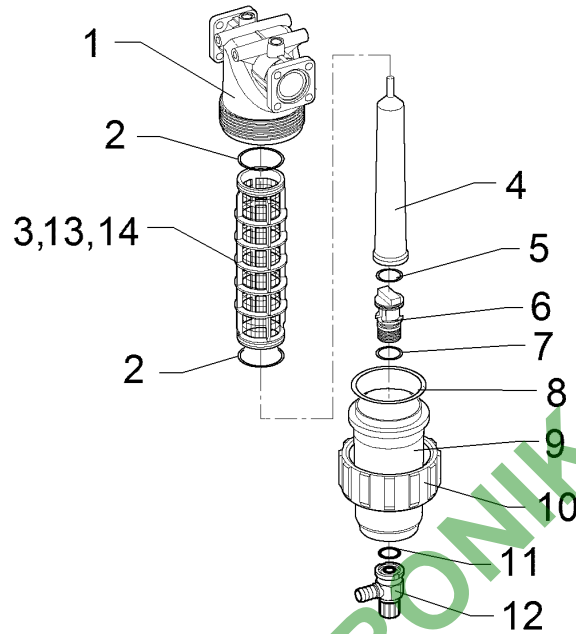
06.17

| Pos. | Art.Nr. | Stck. | Artikeltext / Description | Abmessung |
|------|----------|-------|---------------------------|-----------|
| 1 | F61 0587 | 1 | Motor | - |
| 2 | F61 1481 | 1 | Sicherungsstecker | T2/D3x23 |



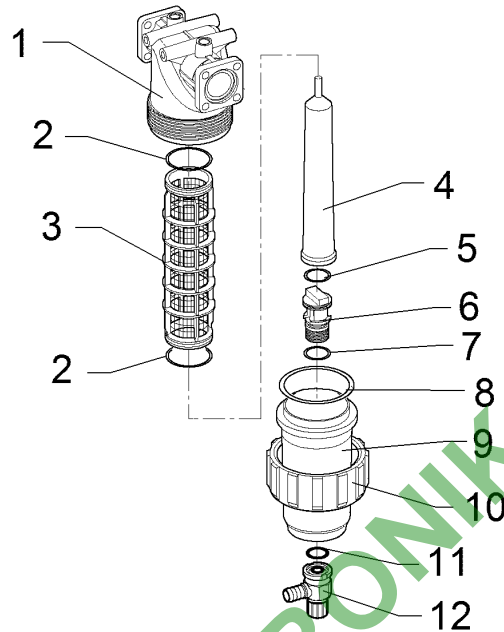
06.17

| Pos. | Art.Nr. | Stck. | Artikeltext / Description | | Abmessung |
|------|----------|-------|---------------------------|--------------|------------------------|
| 1 | F61 2156 | 2 | O-Ring | O-ring | 16x2,5 Viton |
| 2 | R52 0555 | 2 | O-Ring | O-ring | 56x2,5 Viton |
| 3 | R52 0562 | 1 | Dichtung | Seal | 25x1x21 PE |
| 4 | R52 0563 | 2 | Dichtung | Seal | 41,7x5x32,2 45GRD PE |
| 5 | R52 0569 | 2 | Anschlussflansch | Flange | 1-1/4ZLI |
| 6 | 30110198 | 1 | Zylinderschraube | Allen screw | M6x20-A2 DIN912 |
| 7 | 30110325 | 4 | Sechskantschraube | Hexagon bolt | M8x90-A2 DIN931 |
| 8 | 30310022 | 1 | Sechskantmutter | Hexagon nut | M6 DIN934-A4 |
| 9 | 30310023 | 4 | Sechskantmutter | Hexagon nut | M8 DIN934-A4 |
| 10 | 30510102 | 4 | Federring | Spring ring | 8 Form B-V2A DIN127 |
| 11 | 37810621 | 1 | Klemmstück | Clamp | sw |
| 12 | 37810625 | 1 | Antriebswelle | Drive shaft | - |
| 13 | 37810626 | 1 | Ventilkörper | Valve body | - |
| 14 | 37810628 | 1 | Kugel | Ball | 1 ZL 2W |
| 15 | 57310406 | 1 | Motor | Motor | 12V 90GRD |



06.17

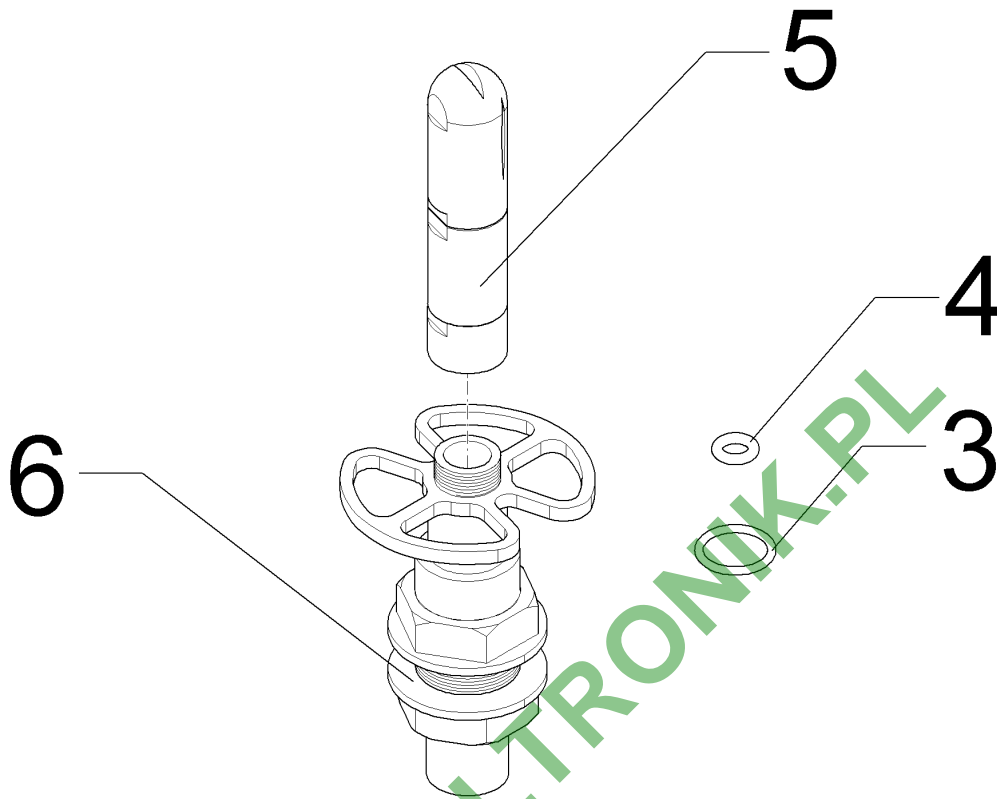
| Pos. | Art.Nr. | Stck. | Artikeltext / Description | Abmessung | |
|------|----------|-------|---------------------------|---------------------|-------------|
| 1 | F61 2582 | 1 | Filterkopf | Filter head | - |
| 2 | 37810274 | 2 | O-Ring | O-ring | 39,7x3,5 |
| 3 | F61 2597 | 1 | Druckfiltereinsatz | Press filter | 50 mesh bl |
| 4 | F61 2585 | 1 | Führungsrohr | Guiding tube | - |
| 5 | F61 2153 | 1 | O-Ring | O-ring | 322.000.050 |
| 6 | F61 1264 | 1 | Nippel | Nipple | - |
| 7 | F61 2097 | 1 | O-Ring | O-ring | 22,22x2,62 |
| 8 | F61 2040 | 1 | O-Ring | O-ring | 75x5 |
| 9 | F61 2581 | 1 | Filtertopf | Filter | - |
| 10 | F61 2584 | 1 | Gewinding | Ring nut | - |
| 11 | F61 2024 | 1 | O-Ring | O-ring | 26,64x2,62 |
| 12 | F61 0613 | 1 | Ablasshahn | Drain cock | - |
| 13 | F61 2637 | 1 | Filtereinsatz | Press filter insert | 80 mesh ye |
| 14 | F61 2638 | 1 | Filtereinsatz | Press filter insert | 100 mesh gn |



06.17

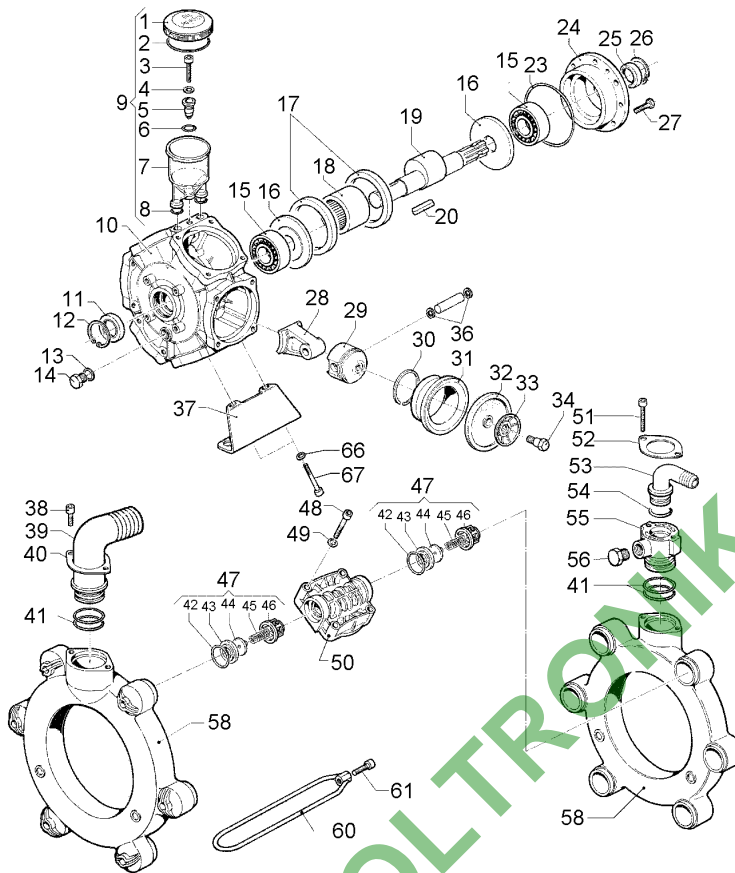
| Pos. | Art.Nr. | Stck. | Artikeltext / Description | Abmessung | |
|------|----------|-------|---------------------------|---------------------|-------------|
| 1 | F61 2582 | 1 | Filterkopf | Filter head | - |
| 2 | 37810274 | 2 | O-Ring | O-ring | 39,7x3,5 |
| 3 | F61 2637 | 1 | Filtereinsatz | Press filter insert | 80 mesh ye |
| 4 | F61 2585 | 1 | Führungsrohr | Guiding tube | - |
| 5 | F61 2153 | 1 | O-Ring | O-ring | 322.000.050 |
| 6 | F61 1264 | 1 | Nippel | Nipple | - |
| 7 | F61 2097 | 1 | O-Ring | O-ring | 22,22x2,62 |
| 8 | F61 2040 | 1 | O-Ring | O-ring | 75x5 |
| 9 | F61 2581 | 1 | Filtertopf | Filter | - |
| 10 | F61 2584 | 1 | Gewinding | Ring nut | - |
| 11 | F61 2024 | 1 | O-Ring | O-ring | 26,64x2,62 |
| 12 | F61 0613 | 1 | Ablasshahn | Drain cock | - |

| | |
|--|----------|
| Kanisterspüldüse/Canister rinsing nozzle | 8 |
| EuroTrain 2600 TC / 3500 TC | F61 2865 |



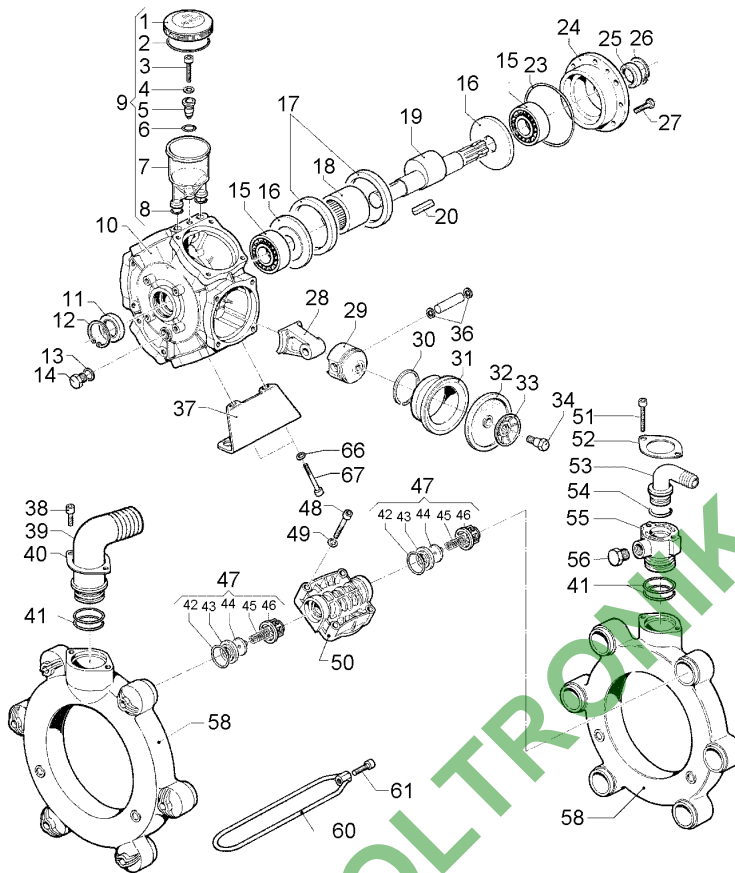
06.17

| Pos. | Art.Nr. | Stck. | Artikeltext / Description | Abmessung | |
|------|----------|-------|---------------------------|-----------|--------------------|
| 3 | F61 2011 | 1 | O-Ring | O-ring | 20,29x2,62 70Shore |
| 4 | F61 2033 | 1 | O-Ring | O-ring | 8x3,5 |
| 5 | F61 2890 | 1 | Rotationsdüse | Nozzle | G1/2 |
| 6 | F65 0337 | 1 | Ventil | Valve | G1/2 G1/2 |



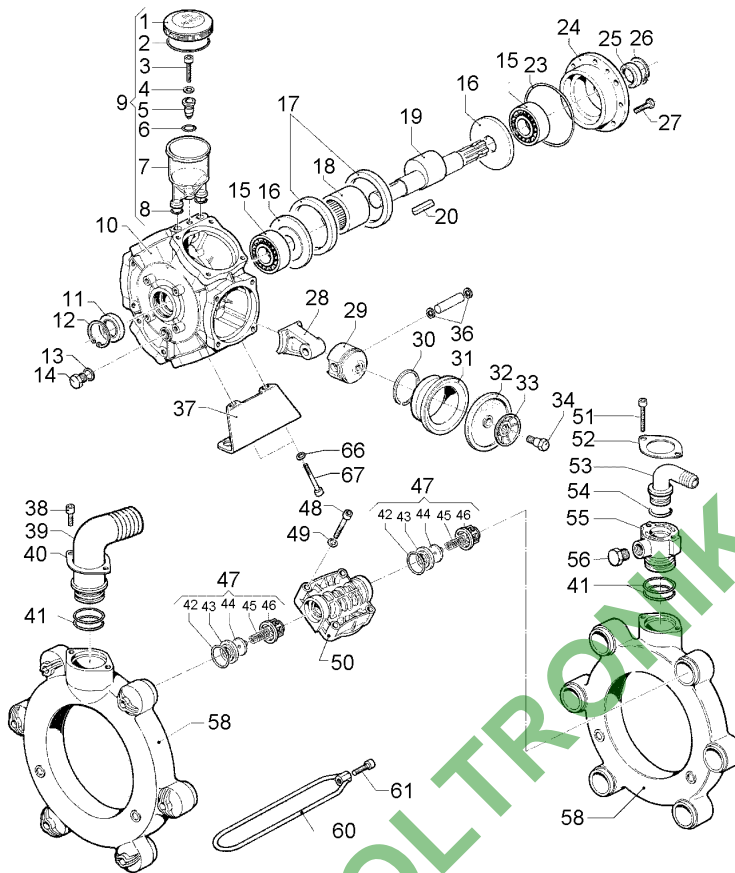
06.17

| Pos. | Art.Nr. | Stck. | Artikeltext / Description | Abmessung | |
|------|----------|-------|---------------------------|------------------|-------------|
| 1 | F61 3773 | 1 | Deckel | Cap | - |
| 2 | F61 2240 | 1 | O-Ring | O-ring | 73,03x3,53 |
| 3 | F20 0914 | 1 | Schraube | Screw | - |
| 4 | F20 0915 | 1 | Scheibe | Washer | - |
| 5 | F61 4211 | 1 | Distanzhülse | Distance bush | - |
| 6 | F61 2213 | 1 | O-Ring | O-ring | - |
| 7 | F61 1587 | 1 | Schauglas | Viewing glass | - |
| 8 | F61 2077 | 2 | O-Ring | O-ring | 17,13x2,62 |
| 9 | F61 1588 | 1 | Schauglas | Viewing glass | - |
| 10 | F61 4212 | 1 | Gehäuse | Housing | - |
| 11 | F20 1015 | 1 | Dichtring | Seal ring | D=35x52x10 |
| 12 | F25 0783 | 1 | Sicherungsring | Retaining ring | D=52 |
| 13 | F61 4213 | 1 | O-Ring | O-ring | - |
| 14 | F61 1555 | 1 | Ölablassschraube | Ölablassschraube | - |
| 15 | F25 0785 | 2 | Kugellager | Bearing | 35/80/21 |
| 16 | F61 1556 | 2 | Scheibe | Washer | - |
| 17 | F61 4494 | 2 | Ring | Ring | 109,5x93x10 |
| 18 | F25 0784 | 1 | Nadellager | Needle bearing | 60/78/40 |
| 19 | F25 0619 | 1 | Exzenterwelle | Eccentric shaft | JM 220/20 |
| 20 | F20 0999 | 1 | Passfeder | Adjusting spring | 8x7x40 |
| 23 | F61 2328 | 1 | O-Ring | O-ring | 280/20 |
| 24 | F61 1558 | 1 | Deckel | Cap | - |
| 25 | F20 0998 | 1 | Dichtring | Seal ring | 35x47x7 |



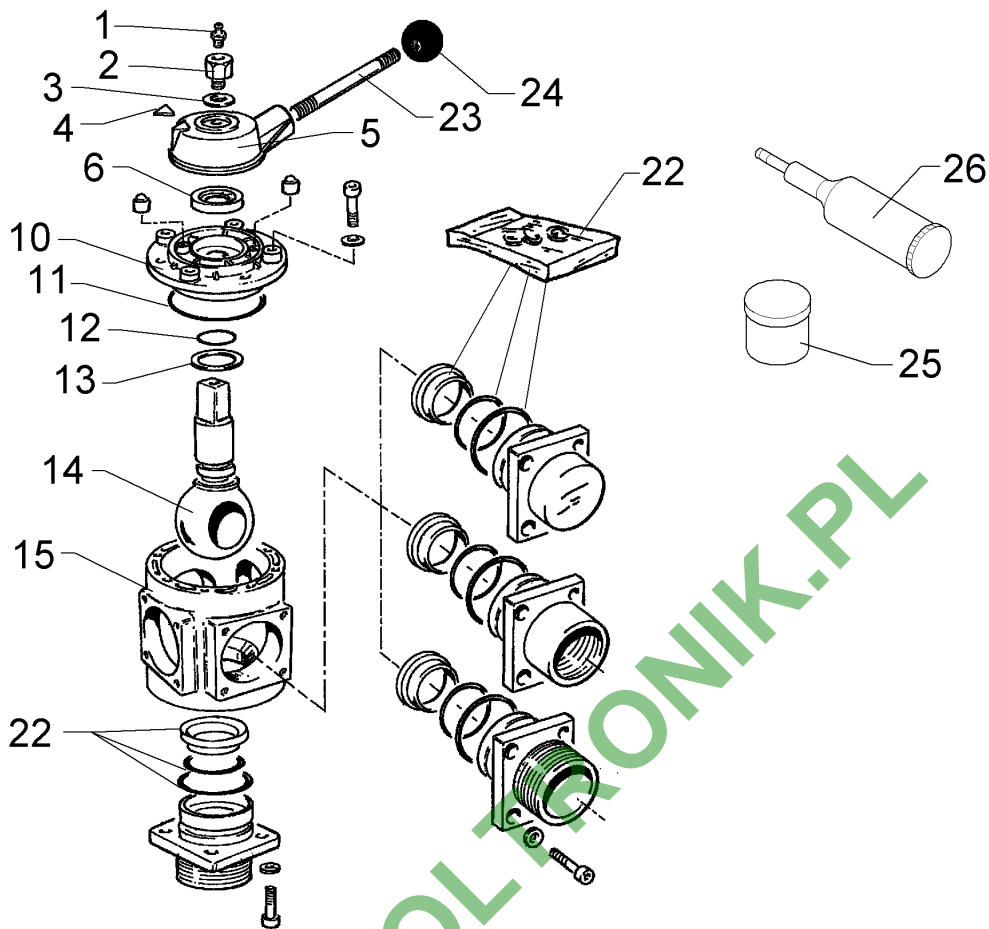
06.17

| Pos. | Art.Nr. | Stck. | Artikeltext / Description | Abmessung | |
|------|----------|-------|---------------------------|----------------------|----------------------|
| 26 | F20 0997 | 1 | Sicherungsring | Retaining ring | D=47 |
| 27 | F20 1016 | 6 | Sechskantschraube | Hexagon bolt | M10x20 INOX |
| 28 | F61 4495 | 2 | Pleuel | Connecting rod | - |
| 29 | F61 3865 | 6 | Kolben | Piston | - |
| 30 | F61 3866 | 6 | Kolbenring | Piston ring | - |
| 31 | F61 3867 | 6 | Zylindergehäuse | 70 mm | - |
| 32 | F61 3405 | 6 | Kolbenmembran | Piston diaphragm | JM 60/20 |
| 33 | F61 4251 | 6 | Druckscheibe | Pressure disk | - |
| 34 | F61 3811 | 6 | Arretierschraube | Screw | - |
| 35 | F61 1525 | 6 | Kolbenbolzen | Piston pin | - |
| 36 | F25 0507 | 12 | Sicherungsring | Retaining ring | DIN472 15x1 |
| 37 | F61 1567 | 2 | Winkelkonsole | Paar | - |
| 38 | F20 0918 | 2 | Schraube | Screw | - |
| 39 | F61 1359 | 1 | Saugbogenstück | Curved suction piece | - |
| 40 | F61 1803 | 1 | Flansch | Flange | - |
| 41 | F61 2212 | 4 | O-Ring | O-ring | 39,69x3,53 |
| 42 | F61 2327 | 12 | O-Ring | O-ring | - |
| 43 | F61 1496 | 12 | Ventilsitz | Valve seat | - |
| 44 | 37810446 | 12 | Ventilkegel | Valve cone | BP205 BP235 BP285 |
| 45 | F25 0300 | 12 | Ventilfeder | Valve spring | - |
| 46 | F61 3871 | 12 | Ventilkorb | Valve cage | - |
| 47 | F61 3872 | 12 | Ventil | Valve | KPL |
| 48 | F20 0240 | 20 | Zylinderschraube | Allen screw | M10x45 V2A |



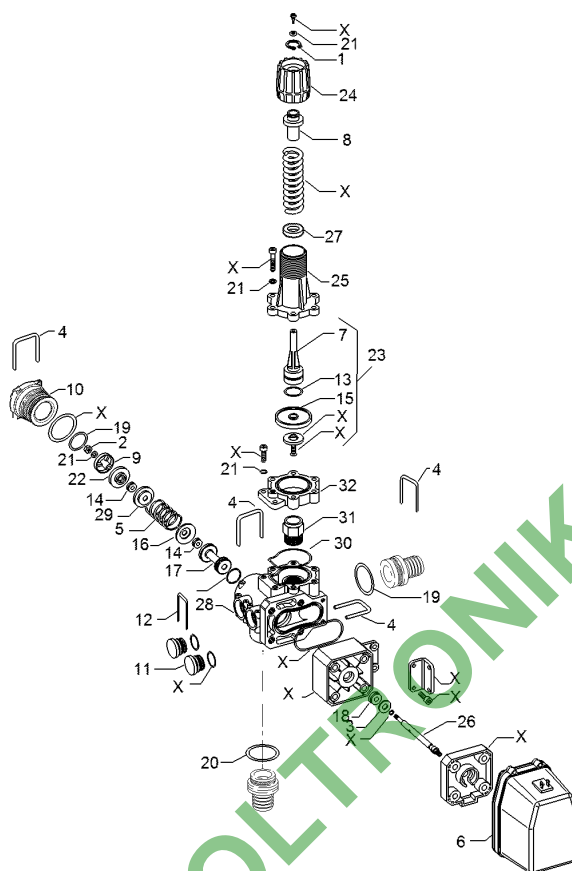
06.17

| Pos. | Art.Nr. | Stck. | Artikeltext / Description | Abmessung | |
|------|----------|-------|---------------------------|------------------|------------------|
| 49 | F20 1002 | 20 | Scheibe | Washer | 10,5X18X1,6 INOX |
| 50 | F61 3873 | 6 | Druckgehäuse | Pressure housing | - |
| 51 | F20 0253 | 2 | Zylinderschraube | Allen screw | M8x55 V2A |
| 52 | F61 3878 | 1 | Flanschplatte | Flange plate | - |
| 53 | F61 1442 | 1 | Bogen | Curve | - |
| 54 | F61 2323 | 1 | O-Ring | O-ring | - |
| 55 | F61 1594 | 1 | Anschluss | Connection | - |
| 56 | F61 1583 | 1 | Verschlusschraube | Plug | - |
| 58 | F61 3874 | 2 | Sammelsauggehäuse | Suction housing | - |
| 60 | F61 3769 | 6 | Bügel | Clamp | - |
| 61 | F20 0917 | 6 | Schraube | Screw | M10x40 |
| 66 | F20 0916 | 4 | Scheibe | Washer | - |
| 67 | F20 1000 | 4 | Schraube | Screw | M10x50 INOX |



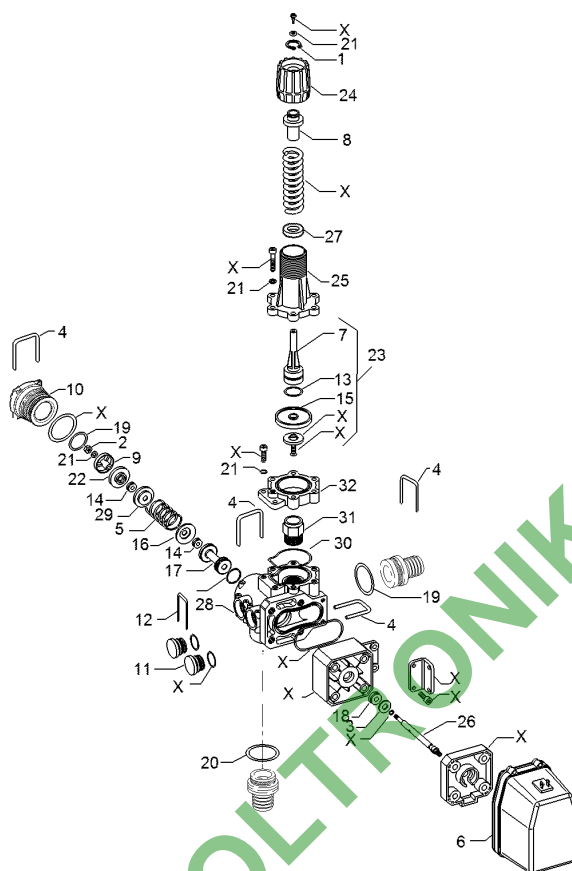
06.17

| Pos. | Art.Nr. | Stck. | Artikeltext / Description | Abmessung | |
|------|----------|-------|---------------------------|---------------|--------------|
| 1 | F25 0496 | 1 | Schmiernippel | Grease nipple | - |
| 2 | F61 0699 | 1 | Spezialschraube | Special screw | - |
| 3 | F20 0230 | 1 | Scheibe | Washer | 6x18x2-V2A |
| 4 | F61 4368 | 1 | Dreieck | Triangle | - |
| 5 | F61 0705 | 1 | Achse | Axle | 16 mm |
| 6 | F61 2329 | 1 | Wellendichtring | Oil seal | 30/42/7 |
| 10 | F61 4022 | 1 | Flansch | Flange | - |
| 11 | F61 4026 | 1 | O-Ring | O-ring | - |
| 12 | F61 4023 | 1 | O-Ring | O-ring | - |
| 13 | F61 4024 | 1 | Dichtscheibe | Seal washer | - |
| 14 | F61 2491 | 1 | Kugel | Ball | - |
| 15 | F61 4025 | 1 | Gehäuse | Housing | - |
| 22 | F61 0707 | 1 | Dichtungssatz | Seal set | Viton + PTFE |
| 23 | F61 0706 | 1 | Hebel | Lever | - |
| 25 | F95 0220 | 1 | Schmierfett | Grease | 250 g |
| 26 | F95 0228 | 1 | Fettpresse | -- | - |



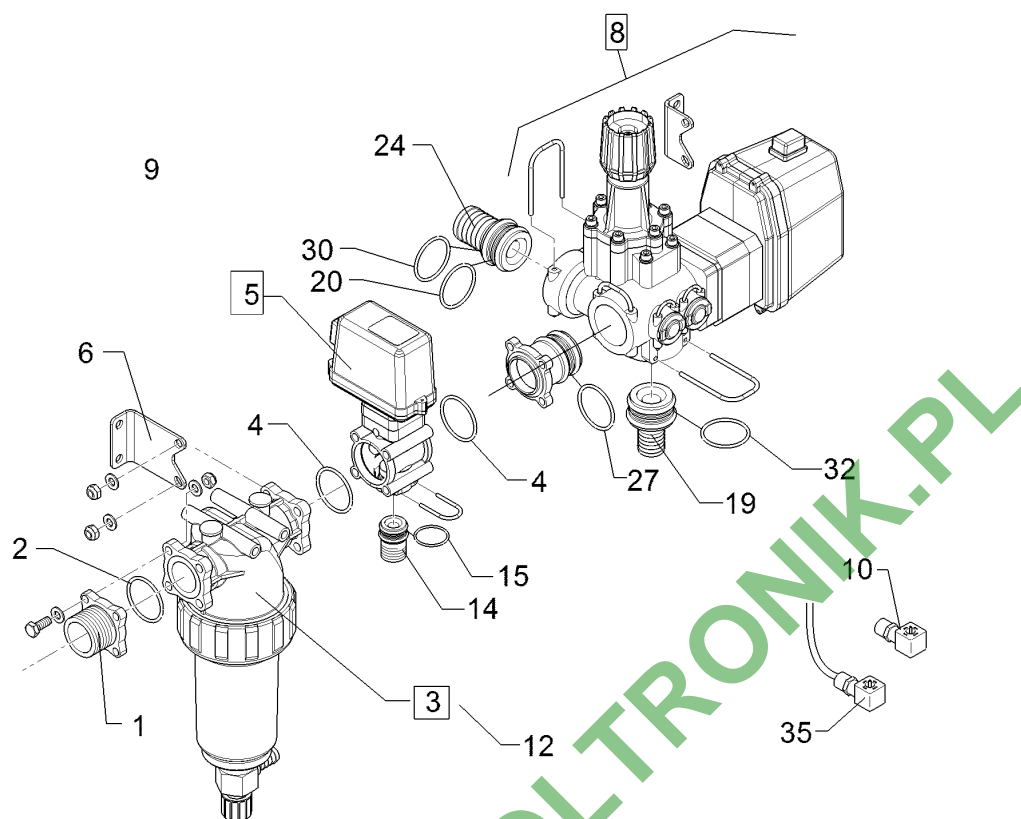
06.17

| Pos. | Art.Nr. | Stck. | Artikeltext / Description | Abmessung | |
|------|----------|-------|---------------------------|--------------------|-----------------|
| 1 | F20 0862 | 1 | Sicherungsring | Retaining ring | - |
| 2 | F20 1039 | 1 | Mutter | Nut | - |
| 3 | F20 1041 | 1 | Scheibe | Washer | - |
| 4 | F25 0523 | 4 | Sicherungsstecker | Plug | T5/D4x42 |
| 5 | F25 0788 | 1 | Druckfeder | Compression spring | - |
| 6 | F41 0423 | 1 | Motor | Motor | KPL HFR |
| 7 | F61 0547 | 1 | Kolben | Piston | - |
| 8 | F61 0550 | 1 | Führungskolben | Piston | - |
| 9 | F61 0805 | 1 | Gehäuse | Housing | - |
| 10 | F61 1212 | 1 | Flansch | Flange | T5 |
| 11 | F61 1220 | 2 | Stopfen | Plug | - |
| 12 | F61 1481 | 2 | Sicherungsstecker | Plug | T2/D3x23 |
| 13 | F61 2195 | 1 | O-Ring | O-ring | 22,2x2,62 Viton |
| 14 | F61 2330 | 2 | Nutring | Packing ring | - |
| 15 | F61 3403 | 1 | Membran | Membrane | - |
| 16 | F61 3880 | 1 | Teller | Disc | - |
| 17 | F61 3881 | 1 | Kolben | Piston | - |
| 18 | F61 3915 | 1 | Nutring | Packing ring | 464 402.120 |
| 19 | F61 4258 | 2 | O-Ring | O-ring | 42,5x2,6 Viton |
| 20 | F61 4259 | 1 | O-Ring | O-ring | 36,1x2,6 |
| 21 | F61 4327 | 10 | Scheibe | Washer | - |
| 22 | F61 4527 | 1 | Führungsscheibe | Square washer | - |
| 23 | F61 4530 | 1 | Kolben komplett | Piston cpl. | - |



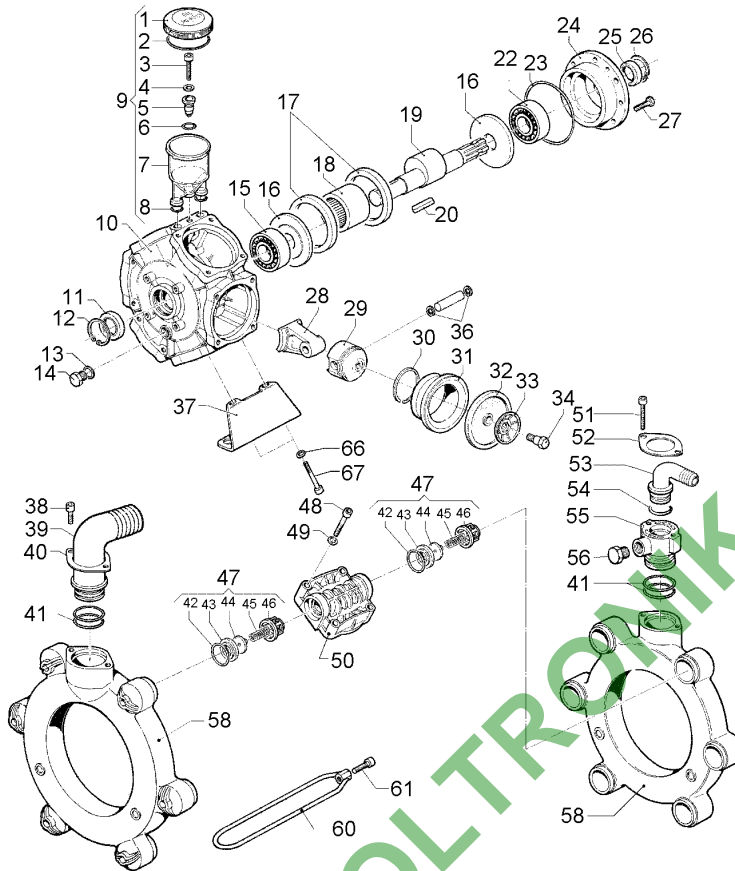
06.17

| Pos. | Art.Nr. | Stck. | Artikeltext / Description | Abmessung |
|------|----------|-------|---------------------------|------------------------|
| 24 | F61 4531 | 1 | Reguliermutter | Nut |
| 25 | F61 4533 | 1 | Regler-Oberteil | Regulator - upper part |
| 26 | F61 4534 | 1 | Kolbenstange | Piston rod |
| 27 | F61 4535 | 1 | Scheibe | Washer |
| 28 | F61 4536 | 1 | Reglergehäuse | Regulator housing |
| 29 | F61 4537 | 1 | Federteller | Spring plate |
| 30 | F61 4529 | 1 | O-Ring | O-ring |
| 31 | F61 4559 | 1 | Ventilsitz | Valve seat |
| 32 | F61 4560 | 1 | Flansch | Flange |



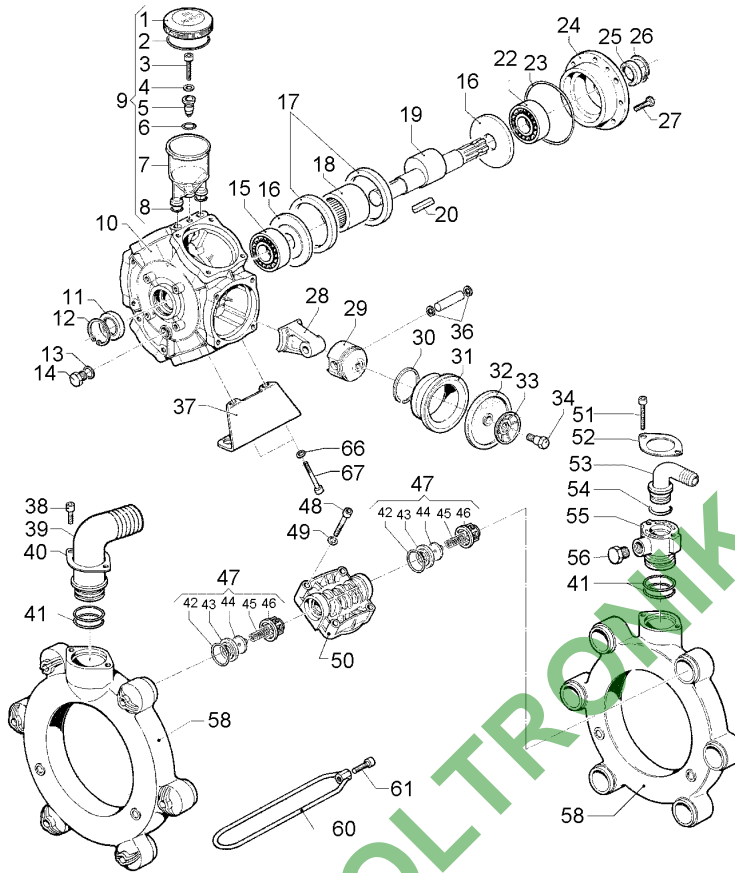
06.17

| Pos. | Art.Nr. | Stck. | Artikeltext / Description | | Abmessung |
|------|----------|-------|---------------------------|-----------------|----------------|
| 1 | F61 1163 | 1 | Flansch | Flange | G1-1/4ZLA |
| 2 | F61 2149 | 1 | O-Ring | O-ring | 39,3x2,6 Viton |
| 3 | F61 4020 | 1 | Druckfilter | Press filter | - |
| 4 | F61 2118 | 2 | O-Ring | O-ring | 45,6x2,6 |
| 5 | F61 0795 | 1 | Regelhahn | Adjustment tap | - |
| 6 | F61 0162 | 1 | Befestigungswinkel | Angle bracket | - |
| 8 | F61 3882 | 1 | Zentralschaltventil | Valve | - |
| 9 | F61 3947 | 1 | Dichtungssatz | Seal set | - |
| 10 | F61 0590 | 2 | Würfelstecker | rag Motoren | - |
| 12 | F61 3944 | 1 | Druckfilter | Press filter | KPL |
| 14 | F61 1161 | 2 | Anschluss | Connection | G1 ZL a. |
| 15 | F61 2032 | 1 | O-Ring | O-ring | 25x2,5 |
| 19 | F61 1182 | 1 | Steckzapfen | Center spigot | - |
| 20 | F61 2116 | 2 | O-Ring | O-ring | 36,1x2,6 |
| 24 | F61 0928 | 1 | Schlauchanschluss | Hose connection | XX 0GRD D30 |
| 26 | F61 2245 | 1 | O-Ring | O-ring | 44,12x2,62 |
| 27 | F61 2387 | 1 | O-Ring | O-ring | 42x3,5 |
| 30 | F61 4258 | 1 | O-Ring | O-ring | 42,5x2,6 Viton |
| 32 | F61 4259 | 1 | O-Ring | O-ring | 36,1x2,6 |
| 35 | F61 0588 | 2 | Kabel | Cable | - |



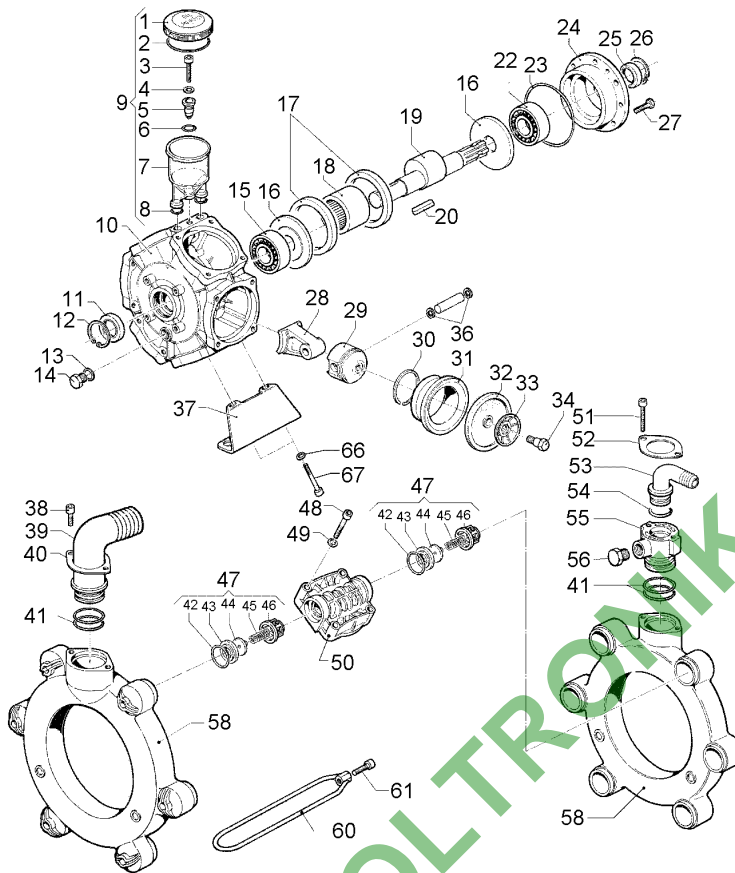
06.17

| Pos. | Art.Nr. | Stck. | Artikeltext / Description | Abmessung | |
|------|----------|-------|---------------------------|------------------|-------------|
| 9 | F61 1588 | 1 | Schauglas | Viewing glass | - |
| 10 | F61 4212 | 1 | Gehäuse | Housing | - |
| 11 | F20 1015 | 1 | Dichtring | Seal ring | D=35x52x10 |
| 12 | F25 0783 | 1 | Sicherungsring | Retaining ring | D=52 |
| 13 | F61 0209 | 1 | Platte | Plate | - |
| 14 | F61 1555 | 1 | Ölablassschraube | Ölablassschraube | - |
| 15 | F25 0729 | 1 | Lager | Bearing | - |
| 16 | F61 1556 | 2 | Scheibe | Washer | - |
| 17 | F61 4494 | 2 | Ring | Ring | 109,5x93x10 |
| 18 | F25 0784 | 1 | Nadellager | Needle bearing | 60/78/40 |
| 19 | F25 0619 | 1 | Exzenterwelle | Eccentric shaft | JM 220/20 |
| 20 | F20 0999 | 1 | Passfeder | Adjusting spring | 8x7x40 |
| 22 | F25 0785 | 1 | Kugellager | Bearing | 35/80/21 |
| 23 | F61 2328 | 1 | O-Ring | O-ring | 280/20 |
| 24 | F61 1558 | 1 | Deckel | Cap | - |
| 25 | F20 0998 | 1 | Dichtring | Seal ring | 35x47x7 |
| 26 | F20 0997 | 1 | Sicherungsring | Retaining ring | D=47 |
| 27 | F20 1016 | 6 | Sechskantschraube | Hexagon bolt | M10x20 INOX |
| 28 | F61 4495 | 2 | Pleuel | Connecting rod | - |
| 29 | F61 4214 | 6 | Kolben | Piston | - |
| 30 | F61 4215 | 6 | Kolbenring | Piston ring | - |
| 31 | F61 4217 | 6 | Zylindergehäuse | 70 mm | - |
| 32 | F61 3405 | 6 | Kolbenmembran | Piston diaphragm | JM 60/20 |



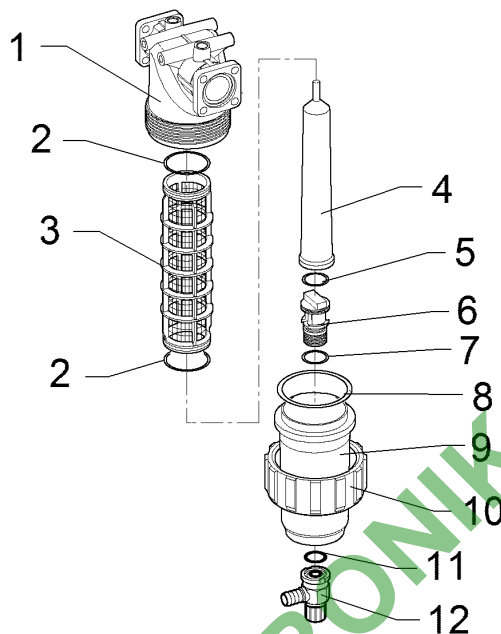
06.17

| Pos. | Art.Nr. | Stck. | Artikeltext / Description | Abmessung | |
|------|----------|-------|---------------------------|----------------------|----------------------|
| 33 | F61 4251 | 6 | Druckscheibe | Pressure disk | - |
| 34 | F61 3811 | 6 | Arretierschraube | Screw | - |
| 35 | F61 1525 | 6 | Kolbenbolzen | Piston pin | - |
| 36 | F25 0507 | 12 | Sicherungsring | Retaining ring | DIN472 15x1 |
| 37 | F61 1567 | 2 | Winkelkonsole | Paar | - |
| 38 | F20 0918 | 2 | Schraube | Screw | - |
| 39 | F61 1195 | 1 | Saugbogenstück | Curved suction piece | - |
| 40 | F61 1803 | 1 | Flansch | Flange | - |
| 41 | F61 2212 | 4 | O-Ring | O-ring | 39,69x3,53 |
| 42 | F61 2327 | 12 | O-Ring | O-ring | - |
| 43 | F61 1496 | 12 | Ventilsitz | Valve seat | - |
| 44 | 37810446 | 12 | Ventilkegel | Valve cone | BP205 BP235 BP285 |
| 45 | F25 0730 | 12 | Ventilfeder | Valve spring | - |
| 46 | F61 3871 | 12 | Ventilkorb | Valve cage | - |
| 47 | F61 4218 | 12 | Ventil | Valve | - |
| 48 | F20 0240 | 20 | Zylinderschraube | Allen screw | M10x45 V2A |
| 49 | F20 1002 | 20 | Scheibe | Washer | 10,5X18X1,6 INOX |
| 50 | F61 3873 | 6 | Druckgehäuse | Pressure housing | - |
| 51 | F20 0253 | 2 | Zylinderschraube | Allen screw | M8x55 V2A |
| 52 | F61 3878 | 1 | Flanschplatte | Flange plate | - |
| 53 | F61 3771 | 1 | Bogen | Curve | 25 mm |
| 54 | F61 2323 | 1 | O-Ring | O-ring | - |
| 55 | F61 1594 | 1 | Anschluss | Connection | - |



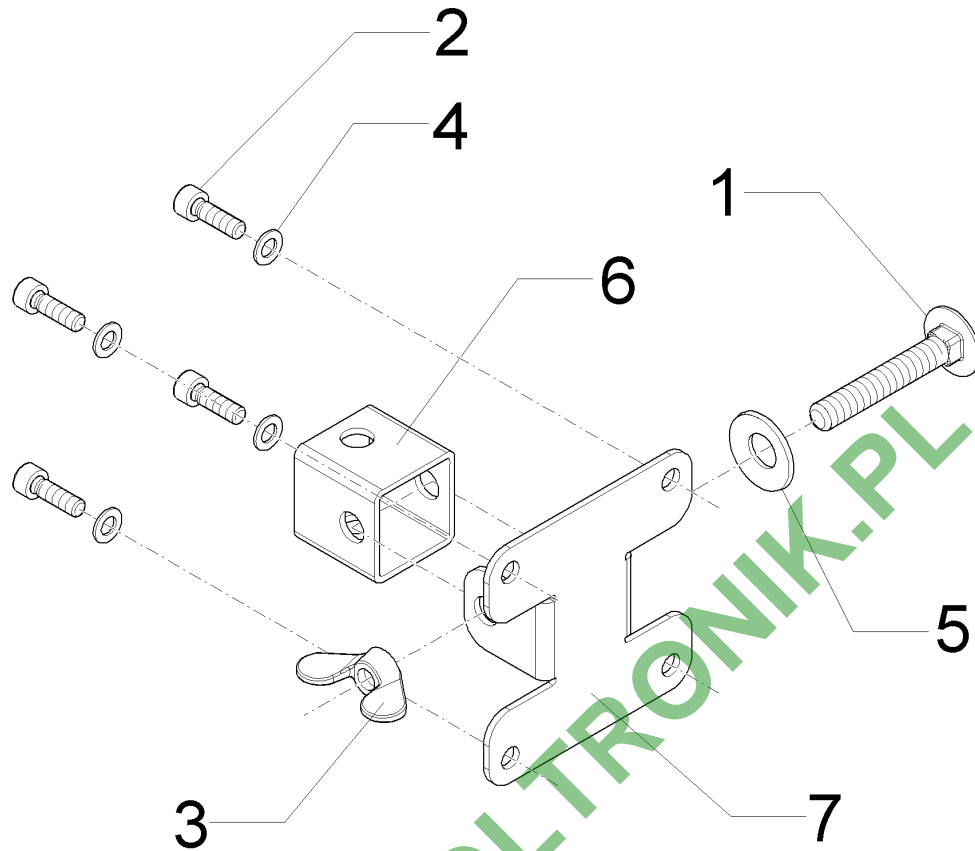
06.17

| Pos. | Art.Nr. | Stck. | Artikeltext / Description | Abmessung | |
|------|----------|-------|---------------------------|------------------|-------------|
| 56 | F61 1583 | 1 | Verschlusschraube | Plug | - |
| 58 | F61 1592 | 2 | Sammeldruckgehäuse | Pressure housing | - |
| 60 | F61 4216 | 6 | Bügel | Clamp | - |
| 61 | F20 0917 | 6 | Schraube | Screw | M10x40 |
| 66 | F20 0916 | 4 | Scheibe | Washer | - |
| 67 | F20 1000 | 4 | Schraube | Screw | M10x50 INOX |



06.17

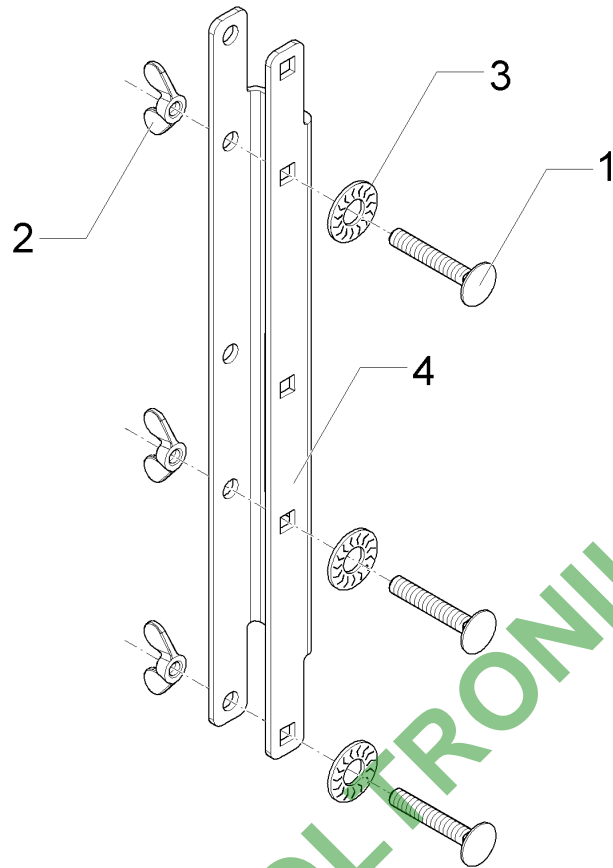
| Pos. | Art.Nr. | Stck. | Artikeltext / Description | Abmessung | |
|------|----------|-------|---------------------------|--------------|-------------|
| 1 | F61 4184 | 1 | Filterkopf | Filter head | - |
| 2 | 37810274 | 2 | O-Ring | O-ring | 39,7x3,5 |
| 3 | F61 2597 | 1 | Druckfiltereinsatz | Press filter | 50 mesh bl |
| 4 | F61 2585 | 1 | Führungsrohr | Guiding tube | - |
| 5 | F61 2153 | 1 | O-Ring | O-ring | 322.000.050 |
| 6 | F61 1264 | 2 | Nippel | Nipple | - |
| 7 | F61 2097 | 1 | O-Ring | O-ring | 22,22x2,62 |
| 8 | F61 2040 | 1 | O-Ring | O-ring | 75x5 |
| 9 | F61 2581 | 1 | Filtertopf | Filter | - |
| 10 | F61 2584 | 1 | Gewinding | Ring nut | - |
| 11 | F61 2024 | 1 | O-Ring | O-ring | 26,64x2,62 |
| 12 | F61 0613 | 1 | Ablasshahn | Drain cock | - |



06.17

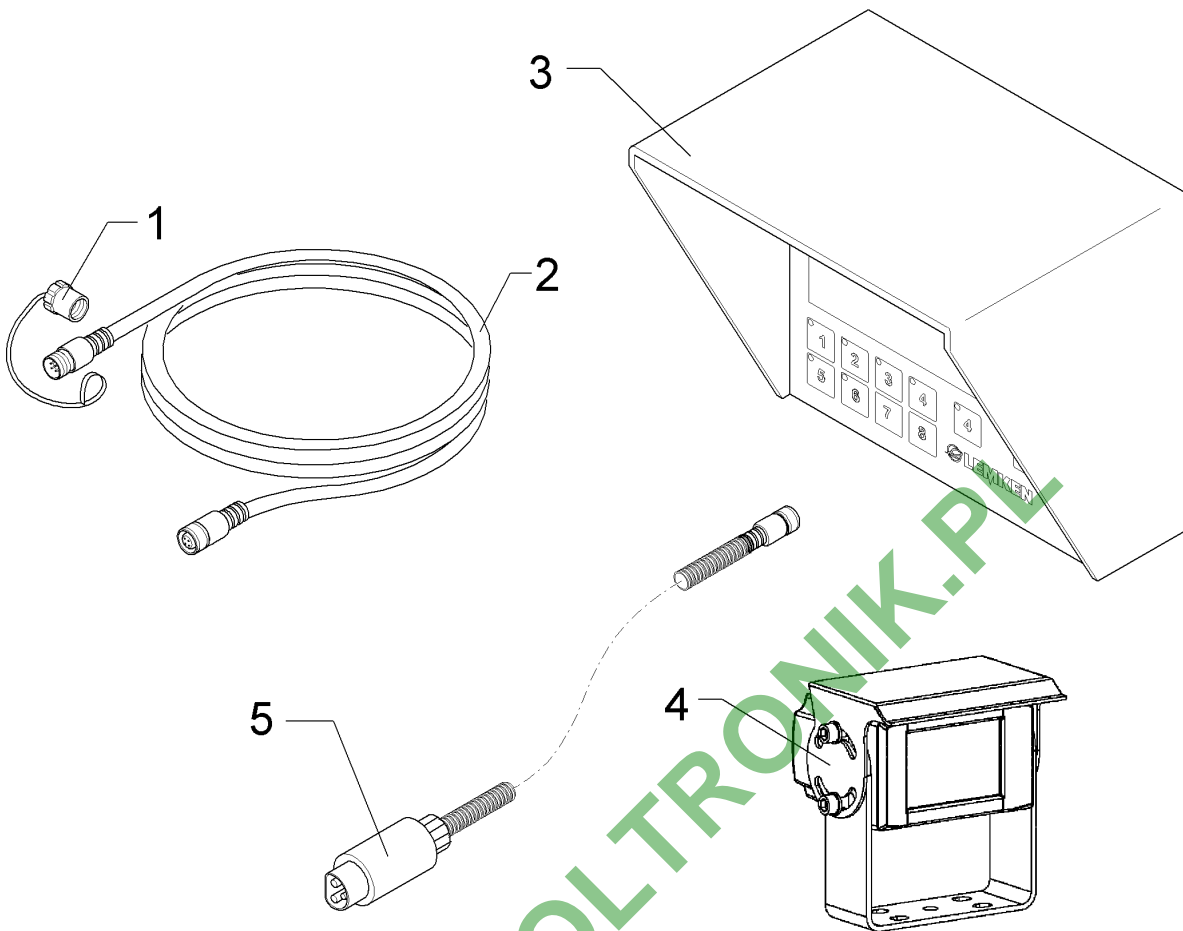
| Pos. | Art.Nr. | Stck. | Artikeltext / Description | | Abmessung |
|------|----------|-------|---------------------------|-------------------|----------------------------------|
| 1 | 301 1136 | 1 | Flachrundschraube | Saucer-head screw | M8x50-8.8 Zn DIN603 |
| 2 | 301 6044 | 4 | Zylinderschraube | Allen screw | M5x16-12.9 Zn DIN912 |
| 3 | 303 1508 | 1 | Flügelmutter | Wing nut | M8-DIN315-5 A3B |
| 4 | 305 6108 | 4 | Scheibe | Washer | 5,5/10x0,8 DIN1441-St Zn |
| 5 | 305 9835 | 1 | Sperrkantscheibe | Washer | 10,2/22,25x1,6 Zn |
| 6 | 473 8064 | 1 | Halter für Strangprofil | Holder | GBT 2000 |
| 7 | 473 8067 | 1 | Halter | Holder | 30x30x2x30 Zn 2x76x88 l=30 Zn |

| | |
|-----------------------------|----------|
| Terminalhalter/Holder | 9 |
| EuroTrain 2600 TC / 3500 TC | 673 4982 |



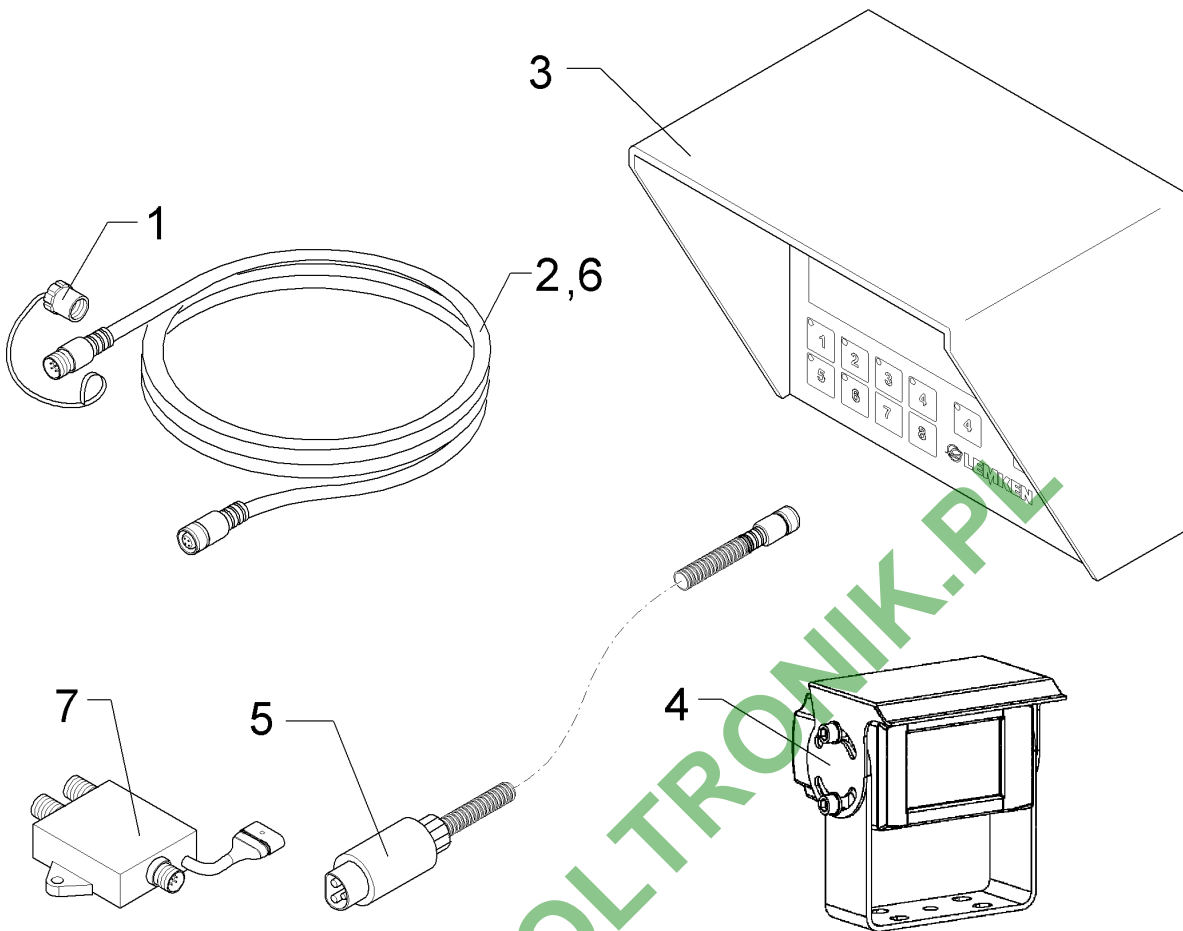
06.17

| Pos. | Art.Nr. | Stck. | Artikeltext / Description | Abmessung | |
|------|----------|-------|---------------------------|-------------------|------------------------|
| 1 | 301 1136 | 3 | Flachrundschrabe | Saucer-head screw | M8x50-8.8 Zn DIN603 |
| 2 | 303 1508 | 3 | Flügelmutter | Wing nut | M8-DIN315-5 A3B |
| 3 | 305 9834 | 3 | Sperrkantscheibe | Washer | 8,2/18x1,4Zn |
| 4 | 473 8081 | 1 | Halter | Holder | 3x81,2x365 U-31 Zn |



06.17

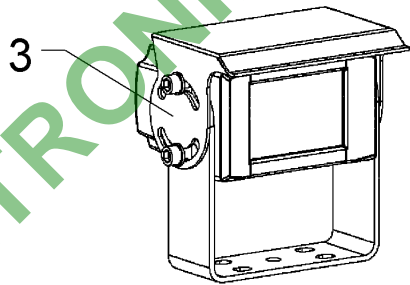
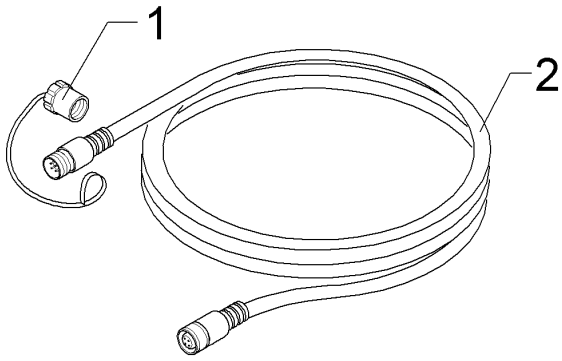
| Pos. | Art.Nr. | Stck. | Artikeltext / Description | | Abmessung |
|------|----------|-------|-----------------------------|--------------------|---------------------|
| 1 | 373 2146 | 1 | Schutzkappe f. Stecker | Cap for plug | M12x1 mit Halteband |
| 2 | 573 6123 | 1 | Verbindungsleitung 8-polig | Connection cable | 10m |
| 3 | 573 6216 | 1 | TFT Flachbildmonitor 8" | TFT flat screen 8" | 224x204x30mm |
| 4 | 573 6217 | 1 | Kamera 110° mit Halterung | Camera | 65x70x40mm |
| 5 | 573 6219 | 1 | Spannungsvers. Kamerasystem | Power supply | 2000mm |



06.17

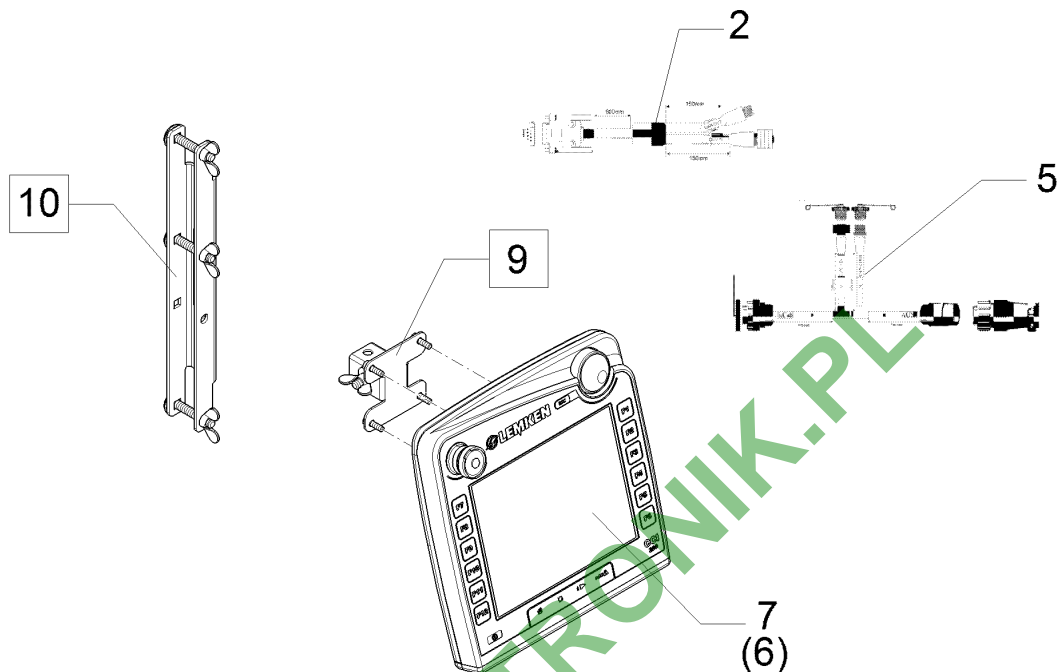
| Pos. | Art.Nr. | Stck. | Artikeltext / Description | | Abmessung |
|------|----------|-------|-----------------------------|--------------------|---------------------|
| 1 | 373 2146 | 1 | Schutzkappe f. Stecker | Cap for plug | M12x1 mit Halteband |
| 2 | 573 6123 | 1 | Verbindungsleitung 8-polig | Connection cable | 10m |
| 3 | 573 6216 | 1 | TFT Flachbildmonitor 8" | TFT flat screen 8" | 224x204x30mm |
| 4 | 573 6217 | 2 | Kamera 110° mit Halterung | Camera | 65x70x40mm |
| 5 | 573 6219 | 1 | Spannungsvers. Kamerasystem | Power supply | 2000mm |
| 6 | 573 6121 | 2 | Verbindungsleitung 8-polig | Connection cable | 5m |
| 7 | 573 6218 | 1 | Kamera Miniplexer | Camera | 75x60x23mm |

| | |
|-------------------------------------|----------|
| Kameraüberwachung/Camera monitoring | 9 |
| EuroTrain 2600 TC / 3500 TC | 673 6218 |



06.17

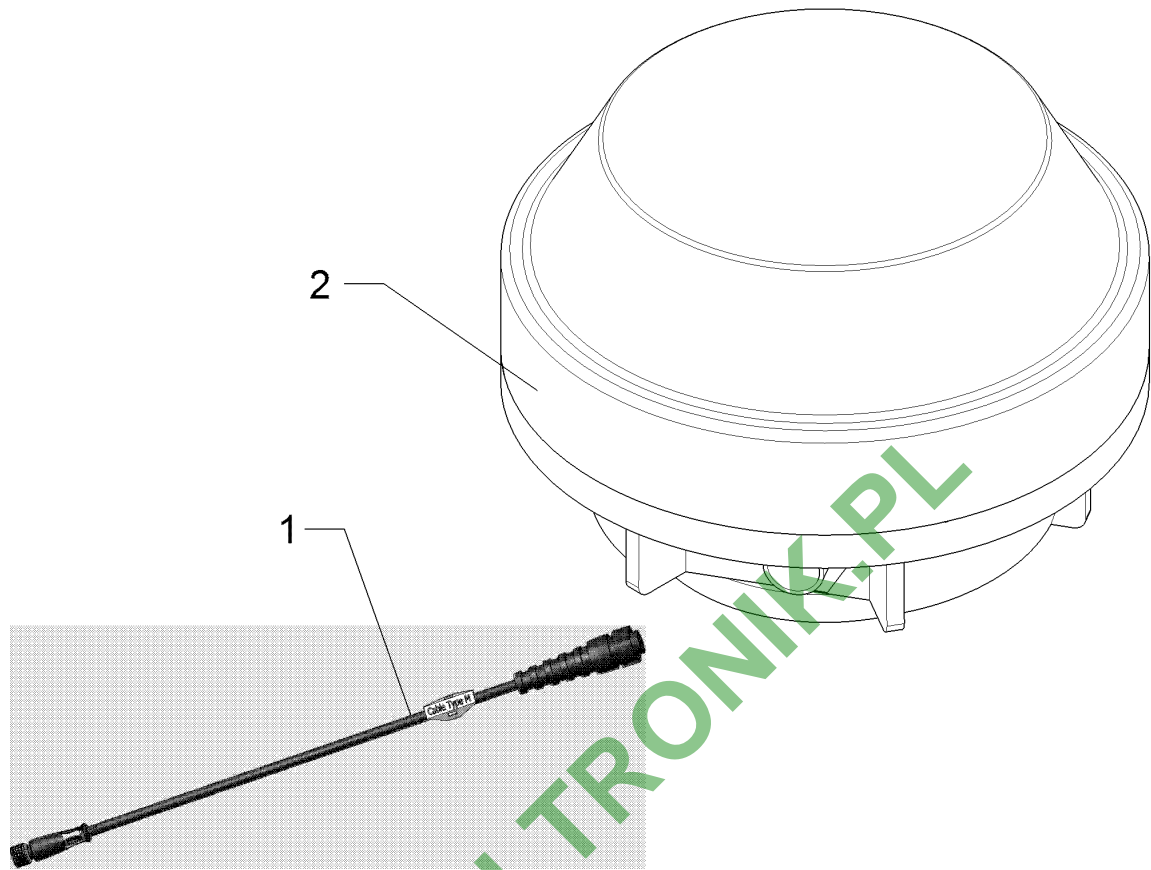
| Pos. | Art.Nr. | Stck. | Artikeltext / Description | | Abmessung |
|------|----------|-------|----------------------------|------------------|---------------------|
| 1 | 373 2146 | 1 | Schutzkappe f. Stecker | Cap for plug | M12x1 mit Halteband |
| 2 | 573 6123 | 1 | Verbindungsleitung 8-polig | Connection cable | 10m |
| 3 | 573 6217 | 1 | Kamera 110° mit Halterung | Camera | 65x70x40mm |



06.17

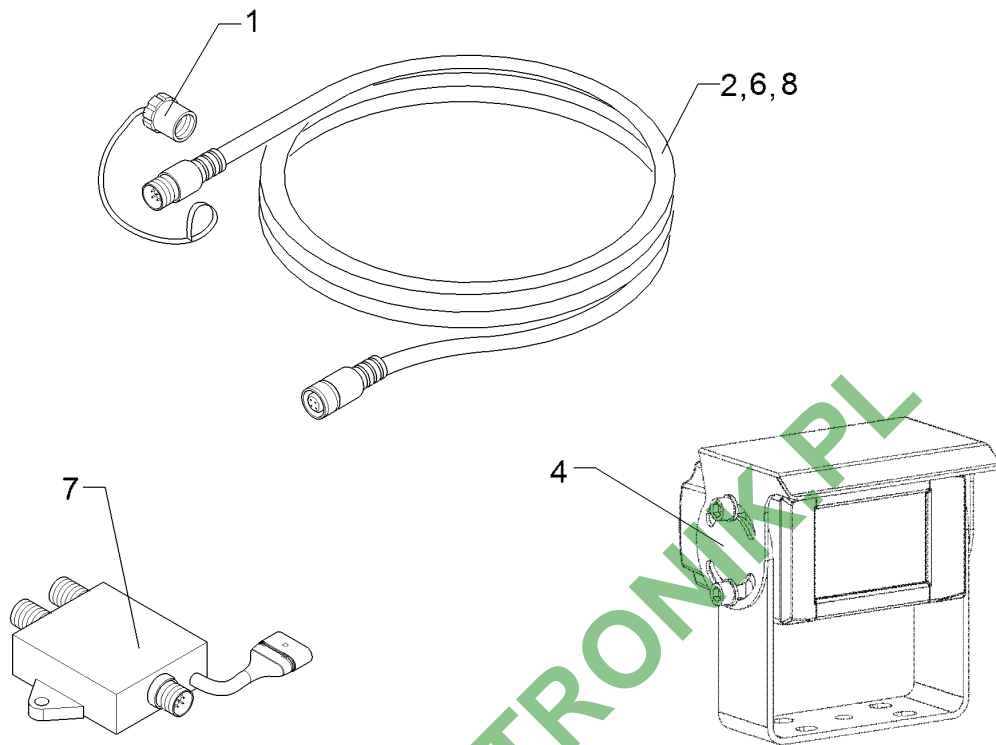
| Pos. | Art.Nr. | Stck. | Artikeltext / Description | Abmessung |
|------|----------|-------|---------------------------|--------------------|
| 2 | F40 0581 | 1 | Adapterkabel | Cable |
| 5 | 573 6204 | 1 | Adapter | Adapter |
| 6 | 573 6210 | 1 | Bedienterminal | Operation terminal |
| 7 | 57310176 | 1 | Bedienterminal | Operation terminal |
| 9 | 673 4981 | 1 | Terminalhalter | Holder |
| 10 | 673 4982 | 1 | Terminalhalter | Holder |

SUB-D 2xM12
 InCabConnecotro/CCI-200
 CCI-200 Release
 2011.02.01
 CCI-200 HW3.1
 FW5.00
 CCI-200
 LKT/LBT/LST



06.17

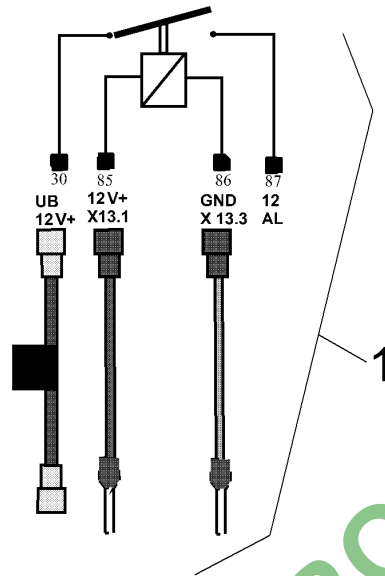
| Pos. | Art.Nr. | Stck. | Artikeltext / Description | Abmessung |
|------|----------|-------|---------------------------|---------------|
| 1 | 57310153 | 1 | Anschlusskabel | A100 CCI200 |
| 2 | 57310155 | 1 | D-GPS Empfänger | Crescent A101 |



06.17

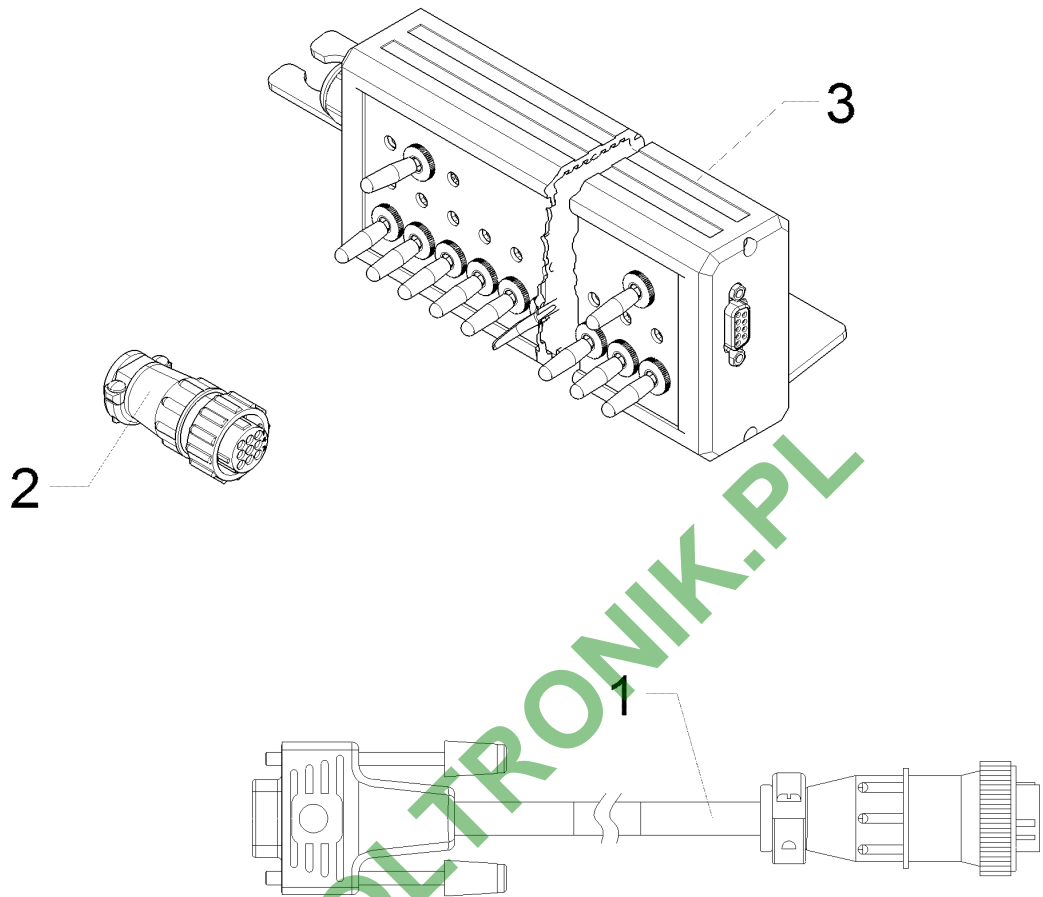
| Pos. | Art.Nr. | Stck. | Artikeltext / Description | | Abmessung |
|------|----------|-------|----------------------------|------------------|-----------------------|
| 1 | 373 2146 | 1 | Schutzkappe f. Stecker | Cap for plug | M12x1 mit Halteband |
| 2 | 573 6123 | 1 | Verbindungsleitung 8-polig | Connection cable | 10m |
| 4 | 573 6217 | 2 | Kamera 110° mit Halterung | Camera | 65x70x40mm |
| 6 | 573 6121 | 1 | Verbindungsleitung 8-polig | Connection cable | 5m |
| 7 | 573 6218 | 1 | Kamera Miniplexer | Camera | 75x60x23mm |
| 8 | 573 6203 | 1 | Verbindungsleitung 8-polig | Connection cable | 0,6m mit Schutzkappen |

| | |
|---------------------------------|----------|
| Section Control/Section Control | 9 |
| EuroTrain 2600 TC / 3500 TC | 67310072 |



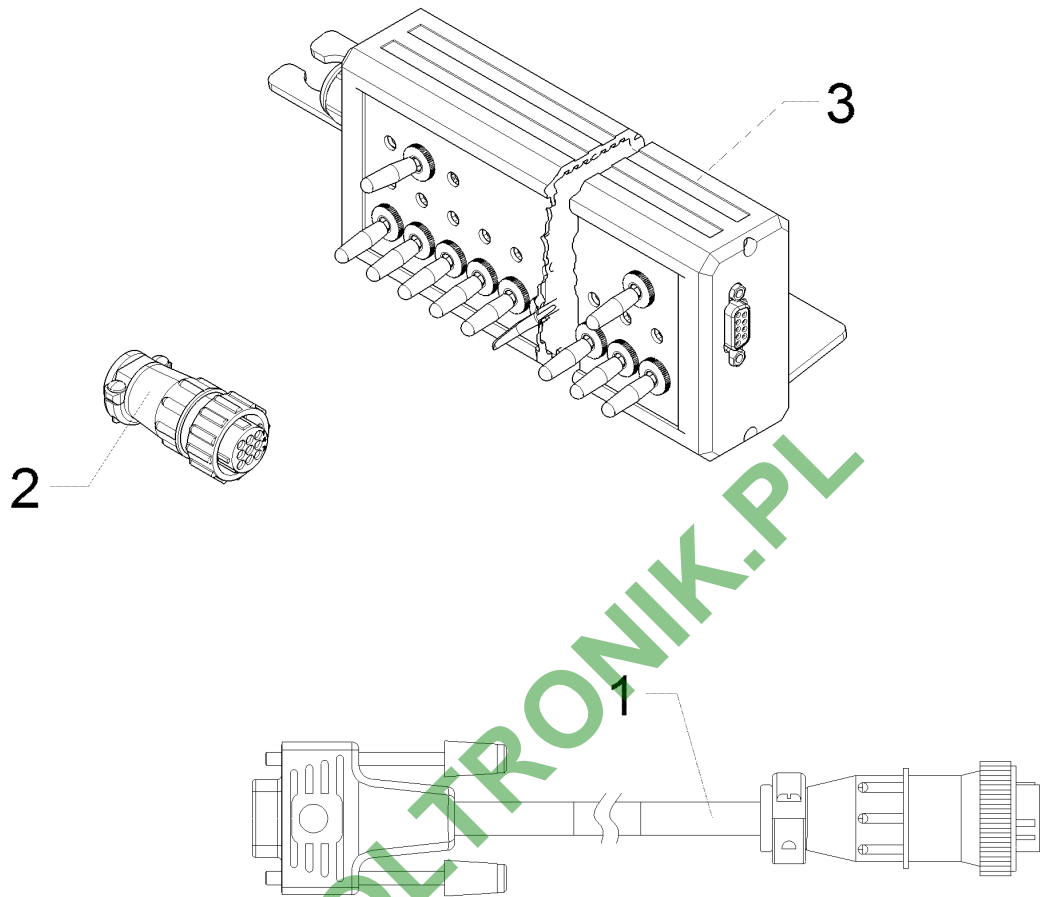
06.17

| Pos. | Art.Nr. | Stck. | Artikeltext / Description | Abmessung |
|------|----------|-------|---------------------------|--------------------------------|
| 1 | 57210019 | 1 | Section Control | Section Control CCI Command |



06.17

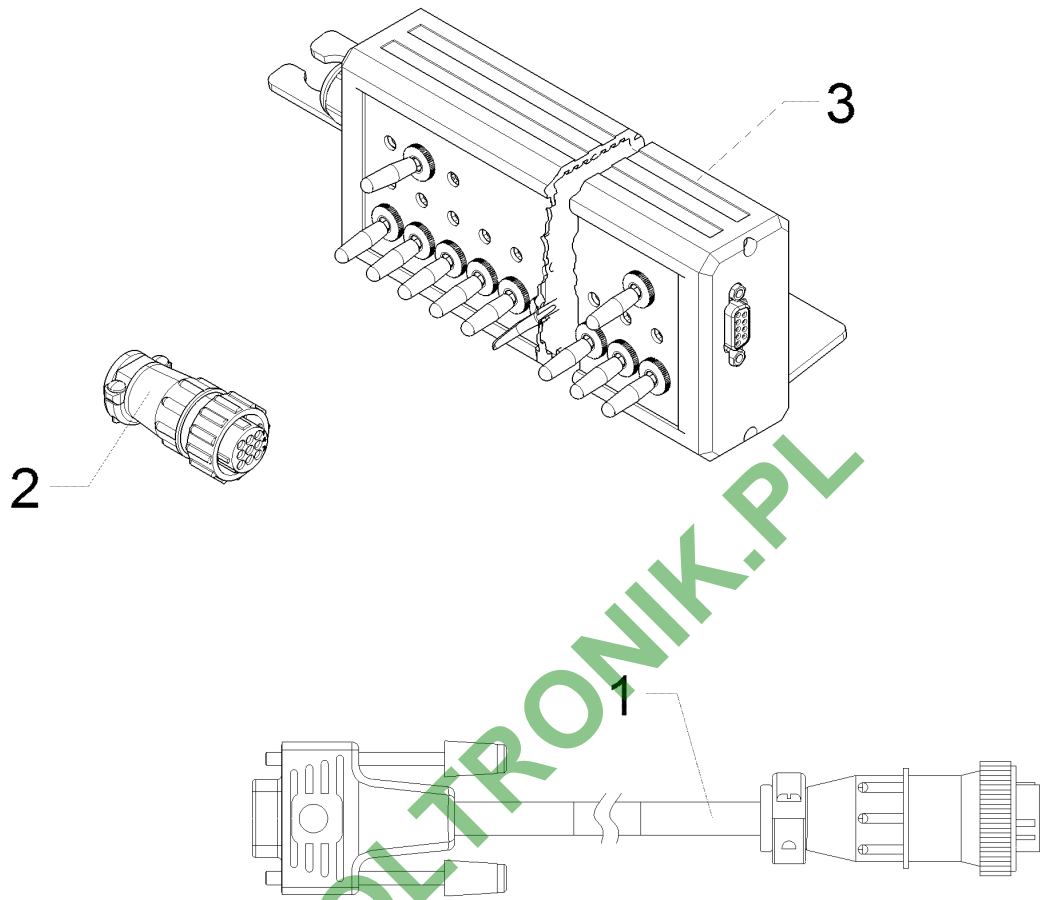
| Pos. | Art.Nr. | Stck. | Artikeltext / Description | | Abmessung |
|------|----------|-------|---------------------------|----------------|----------------------------------|
| 1 | R18 0196 | 1 | ISOBUS-Adapter | ISOBUS adapter | für Fendt, MF, JohnDeere 6030 |
| 2 | 57310158 | 1 | Abschlussstecker InCab | Connector plug | Isobus |
| 3 | 57310169 | 1 | S-Box | S-Box | 7TB CPC |



06.17

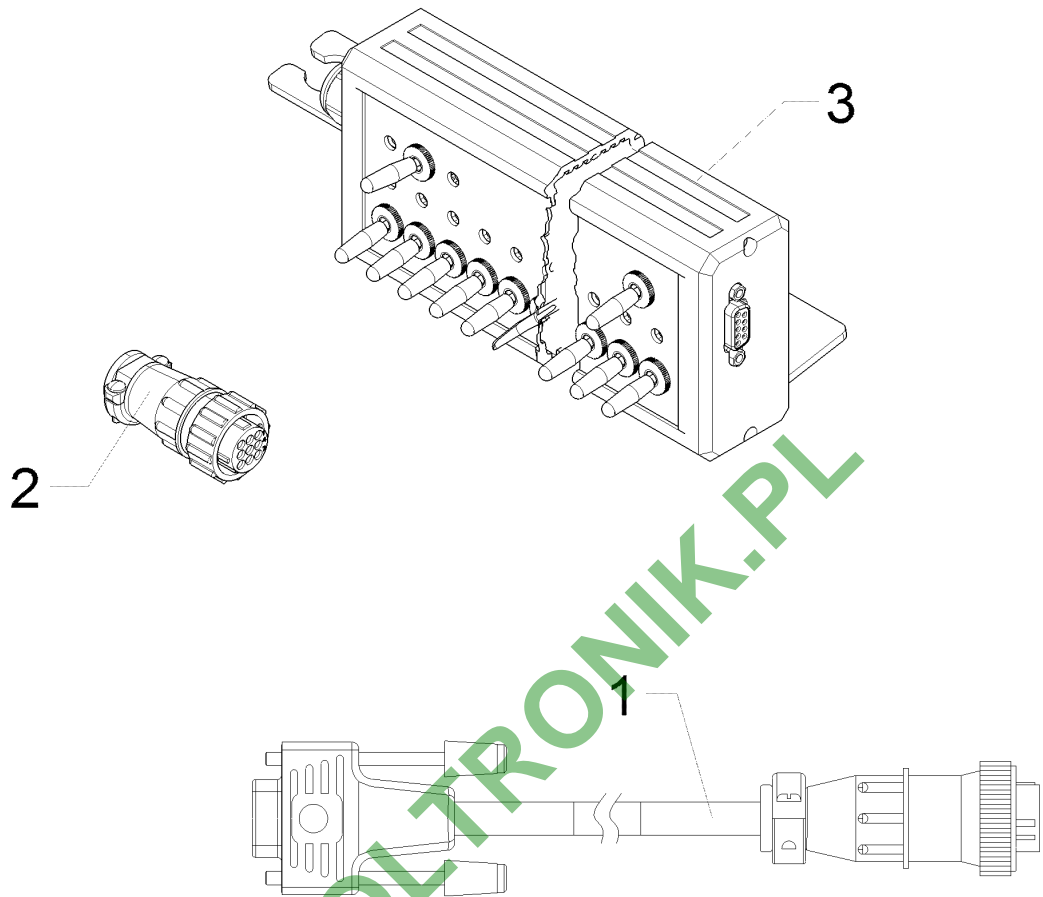
| Pos. | Art.Nr. | Stck. | Artikeltext / Description | Abmessung |
|------|----------|-------|---------------------------|----------------------------------|
| 1 | R18 0196 | 1 | ISOBUS-Adapter | für Fendt, MF, JohnDeere 6030 |
| 2 | 57310158 | 1 | Abschlussstecker InCab | Isobus |
| 3 | R18 0142 | 1 | Schaltbox | 9 TB |

| | |
|-----------------------------|----------|
| S-Box/S-Box | 9 |
| EuroTrain 2600 TC / 3500 TC | 67310077 |



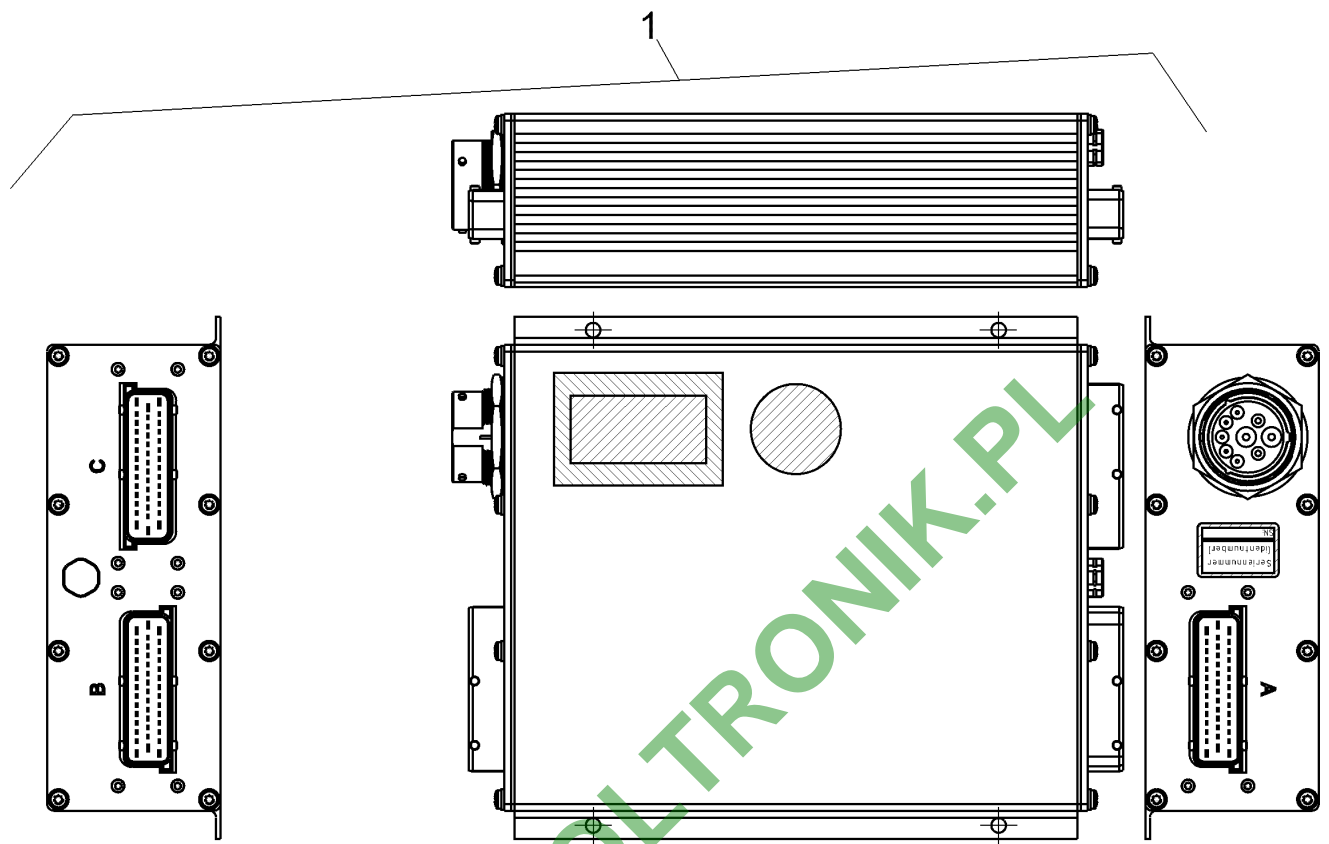
06.17

| Pos. | Art.Nr. | Stck. | Artikeltext / Description | | Abmessung |
|------|----------|-------|---------------------------|----------------|----------------------------------|
| 1 | R18 0196 | 1 | ISOBUS-Adapter | ISOBUS adapter | für Fendt, MF, JohnDeere 6030 |
| 2 | 57310158 | 1 | Abschlussstecker InCab | Connector plug | Isobus |
| 3 | R18 0098 | 1 | Schaltbox | Switch box | 11 TB |



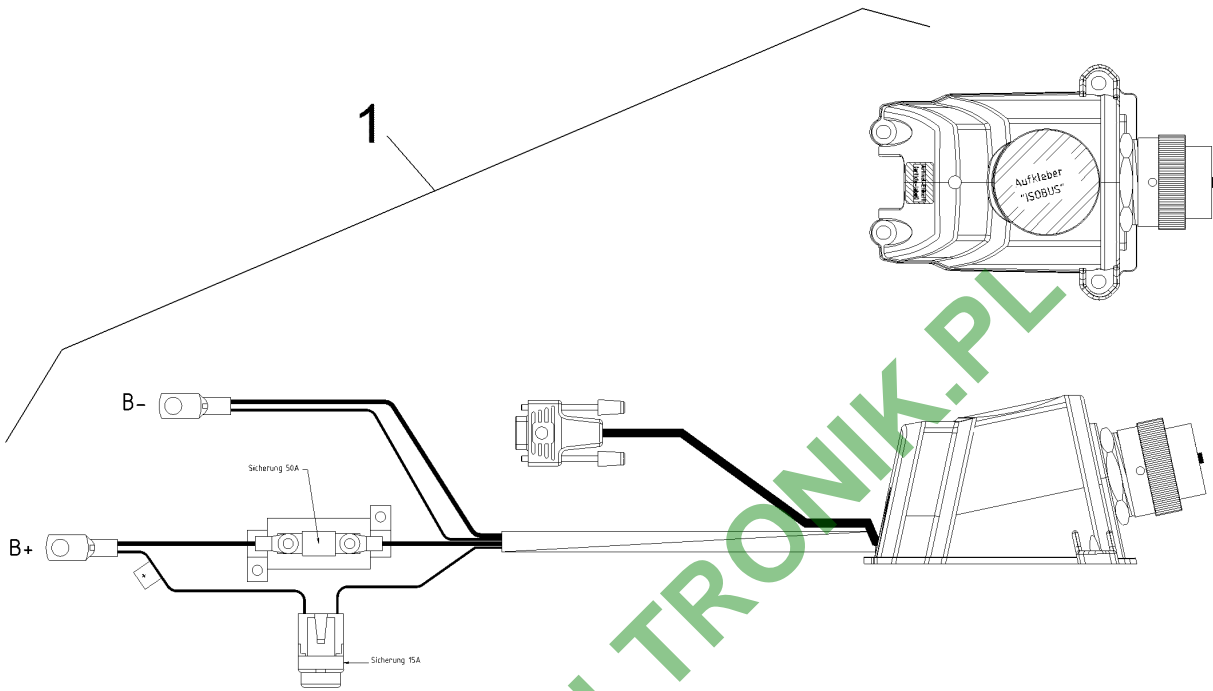
06.17

| Pos. | Art.Nr. | Stck. | Artikeltext / Description | | Abmessung |
|------|----------|-------|---------------------------|----------------|----------------------------------|
| 1 | R18 0196 | 1 | ISOBUS-Adapter | ISOBUS adapter | für Fendt, MF, JohnDeere 6030 |
| 2 | 57310158 | 1 | Abschlussstecker InCab | Connector plug | Isobus |
| 3 | 57310170 | 1 | S-Box 13TB | S-Box | CPC |



06.17

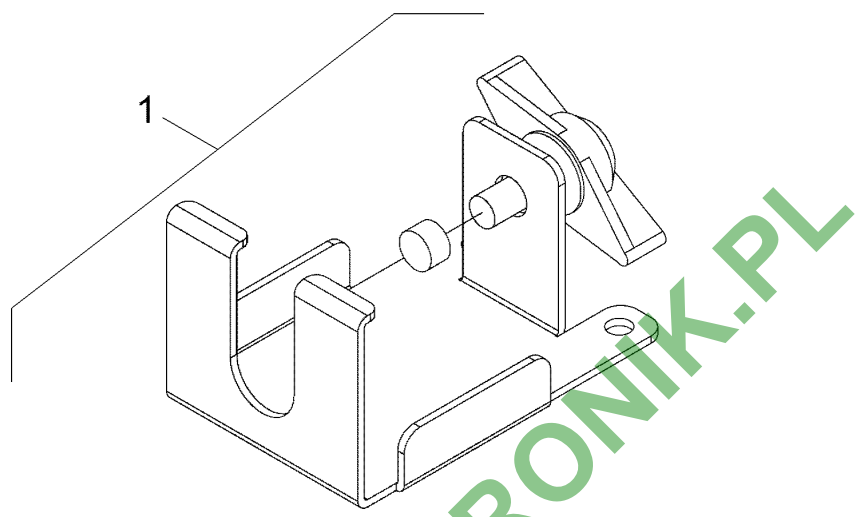
| Pos. | Art.Nr. | Stck. | Artikeltext / Description | Abmessung |
|------|----------|-------|--|-----------|
| 1 | F40 0317 | 1 | ISO-Jobrechner-II ISO-job computer-II | - |



06.17

| Pos. | Art.Nr. | Stck. | Artikeltext / Description | Abmessung | |
|------|----------|-------|---------------------------|------------------------|---|
| 1 | 699 9602 | 1 | Stücklisten-Pos. Dummy | Stücklisten-Pos. Dummy | - |

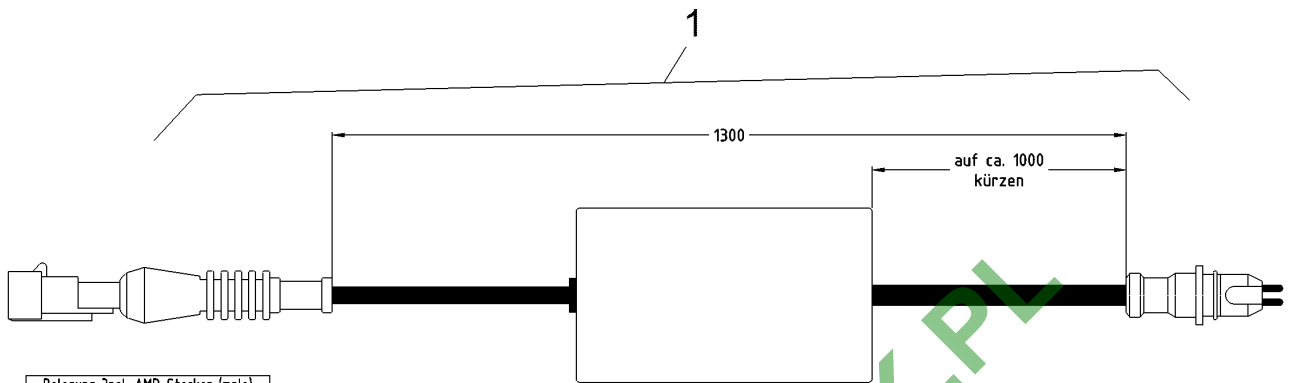
| | |
|-----------------------------|----------|
| Halter/Holder | 9 |
| EuroTrain 2600 TC / 3500 TC | F40 0451 |



06.17

| Pos. | Art.Nr. | Stck. | Artikeltext / Description | Abmessung |
|------|----------|-------|---------------------------|-----------|
| 1 | F40 0451 | 1 | Halter Holder | - |

| | |
|---------------------------------|----------|
| Anschlusskabel/Connecting cable | 9 |
| EuroTrain 2600 TC / 3500 TC | F40 0454 |

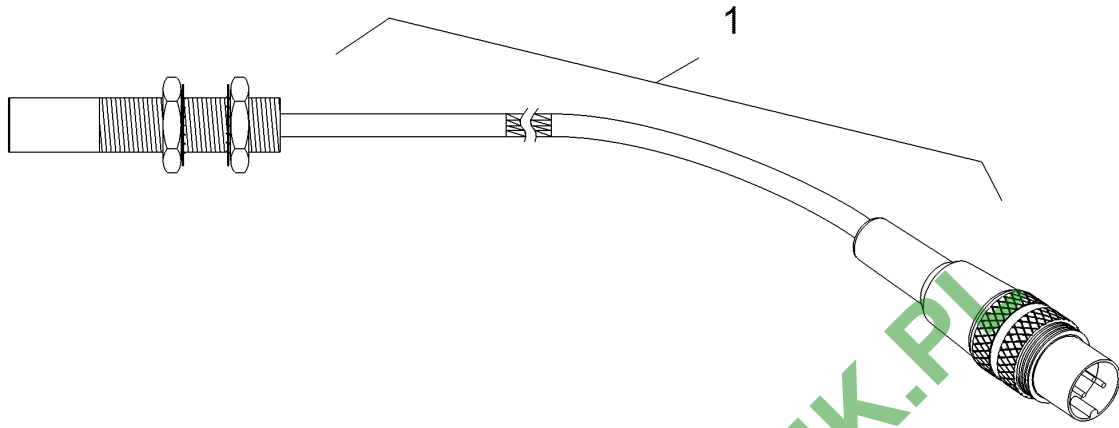


| Belegung 3pol. AMP-Stecker (male) | | |
|-----------------------------------|-------|----------|
| Pinnr. | Farbe | Signal |
| 1 | ws | GNDE |
| 2 | br | +12 Volt |
| 3 | gn | Signal |

06.17

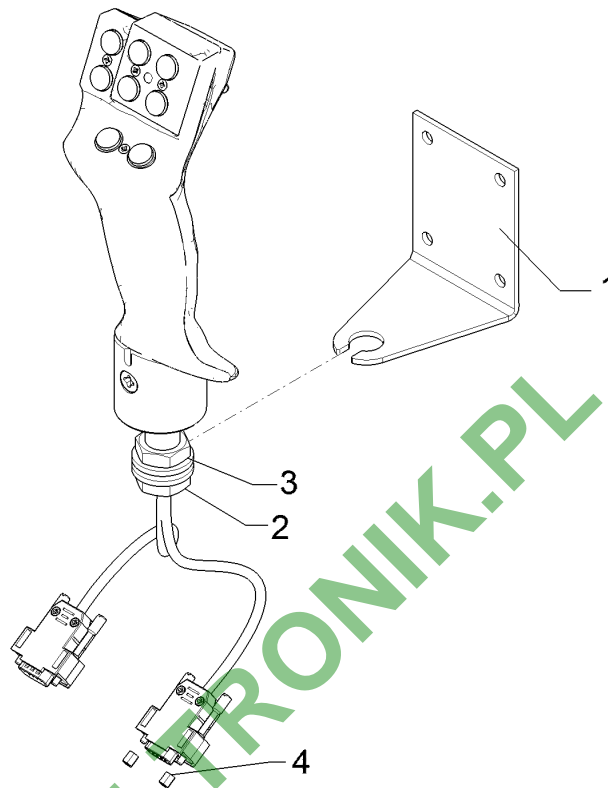
| Pos. | Art.Nr. | Stck. | Artikeltext / Description | Abmessung |
|------|----------|-------|------------------------------------|-----------|
| 1 | F40 0454 | 1 | Anschlusskabel Connecting cable | - |

| | |
|-----------------------------|----------|
| Sensor/Sensor | 9 |
| EuroTrain 2600 TC / 3500 TC | F40 0461 |



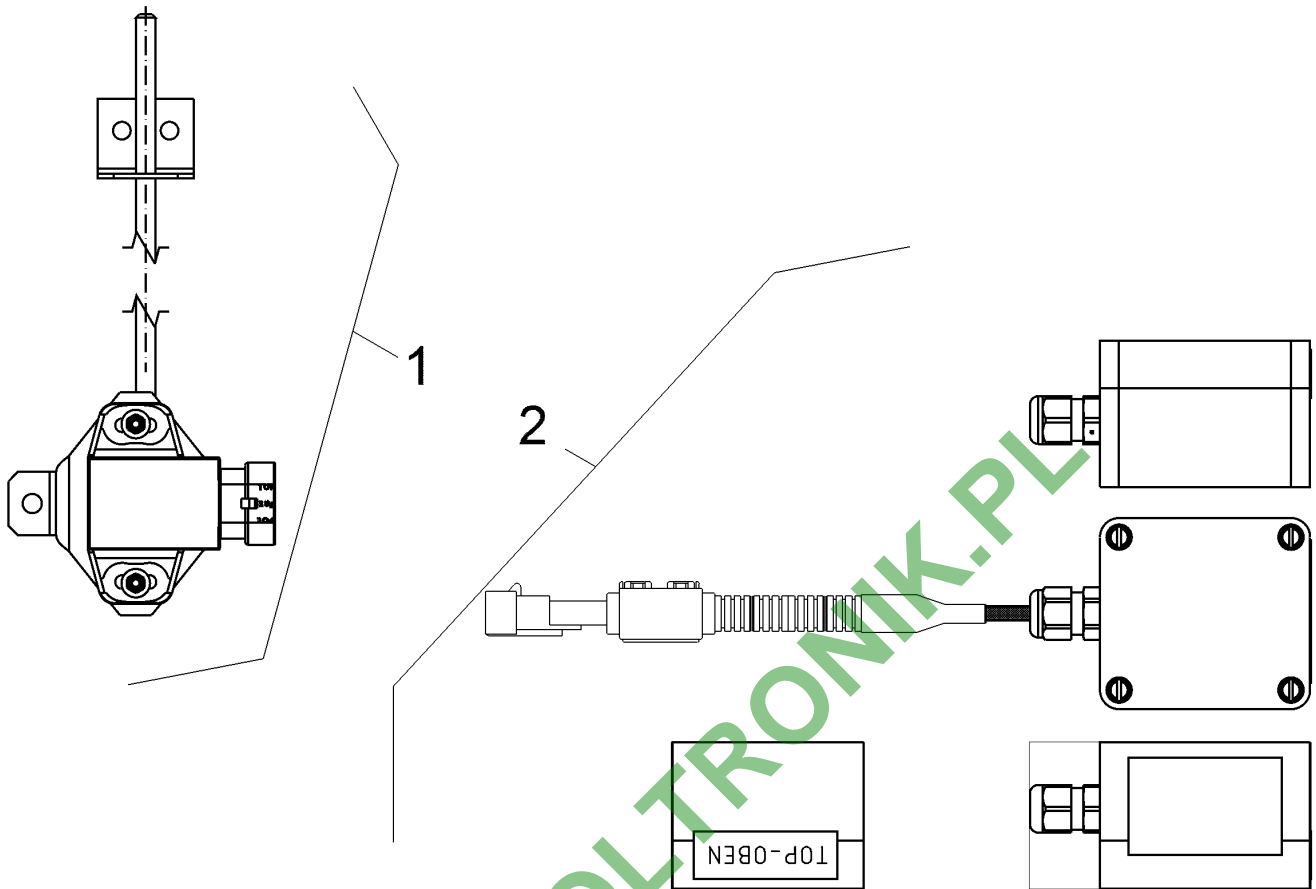
06.17

| Pos. | Art.Nr. | Stck. | Artikeltext / Description | Abmessung |
|------|----------|-------|---------------------------|-----------|
| 1 | F40 0461 | 1 | Sensor | - |



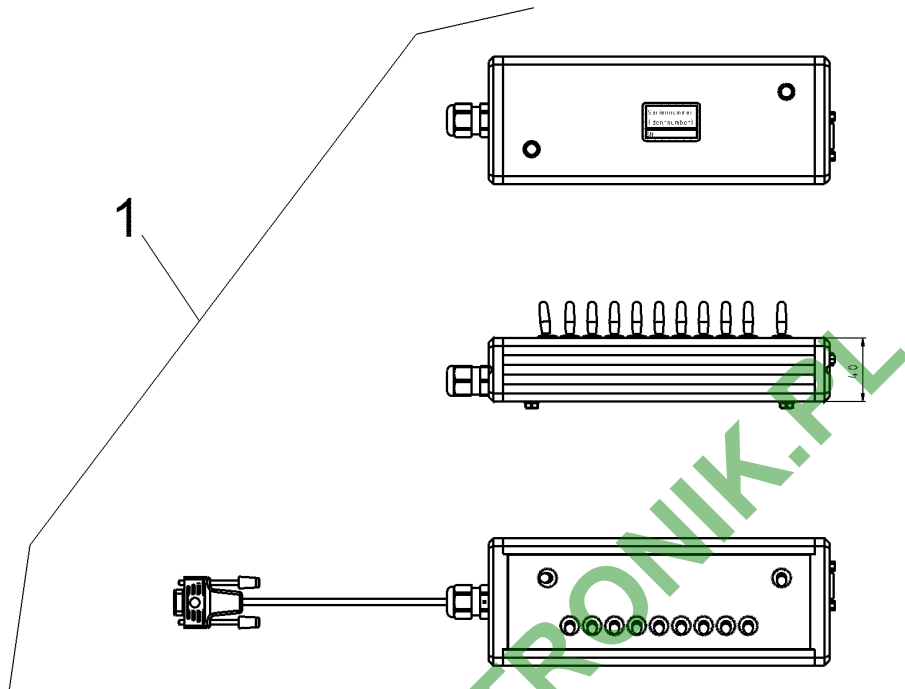
06.17

| Pos. | Art.Nr. | Stck. | Artikeltext / Description | | Abmessung |
|------|----------|-------|---------------------------|-------------|-------------------------|
| 1 | R18 0078 | 1 | Halter | Holder | 70x3x90 4xd7 |
| 2 | 303 0950 | 2 | Sechskantmutter | Hexagon nut | BM16 DIN439-8 |
| 3 | 305 6141 | 2 | Scheibe | Washer | 17/30x3 DIN/ISO-7089 |
| 4 | 373 2225 | 2 | Mutter | Nut | UNC 4-40x6 |



06.17

| Pos. | Art.Nr. | Stck. | Artikeltext / Description | Abmessung |
|------|----------|-------|---------------------------|-----------|
| 1 | F40 0282 | 1 | Winkelsensor | - |
| 2 | F40 0481 | 1 | Sensor | - |

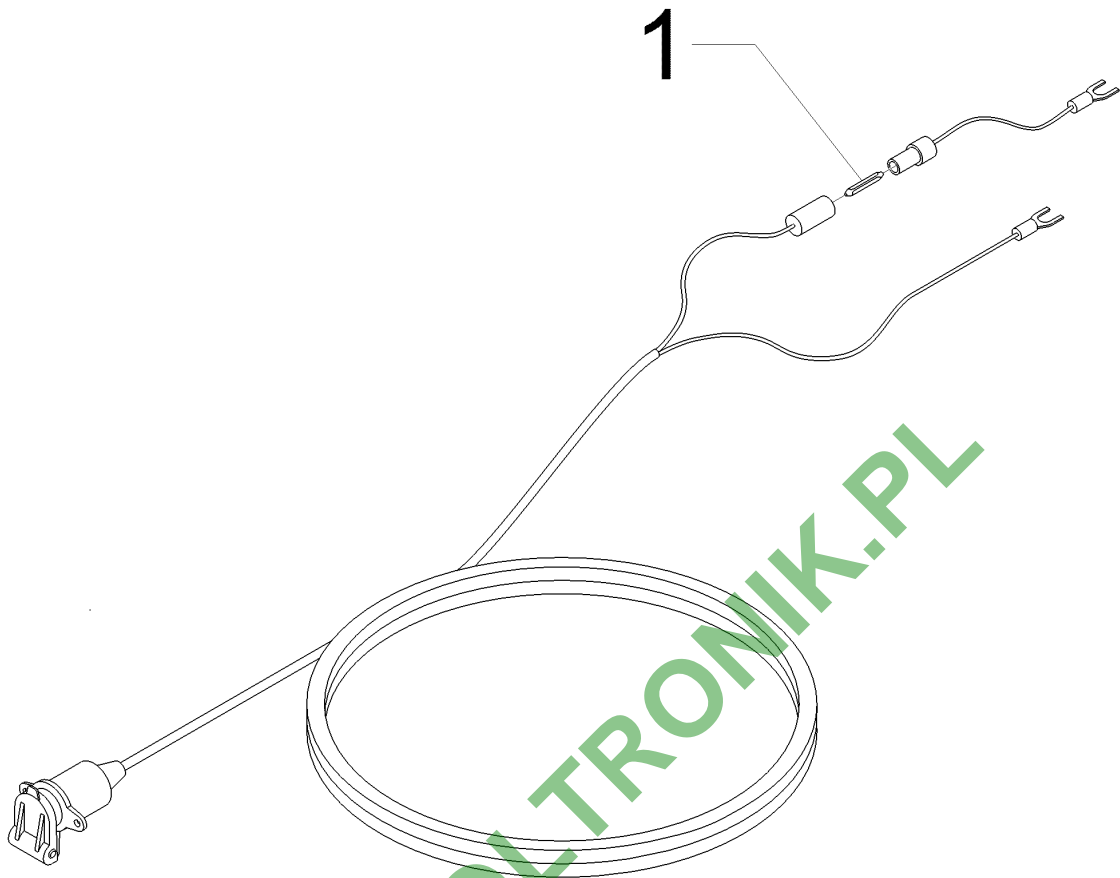


06.17

| Pos. | Art.Nr. | Stck. | Artikeltext / Description | Abmessung |
|------|----------|-------|---------------------------|--------------|
| 1 | F40 0540 | 1 | S-Box | S-Box 9TB |

| | |
|---------------------|---|
| Batteriekabel/Cable | 9 |
|---------------------|---|

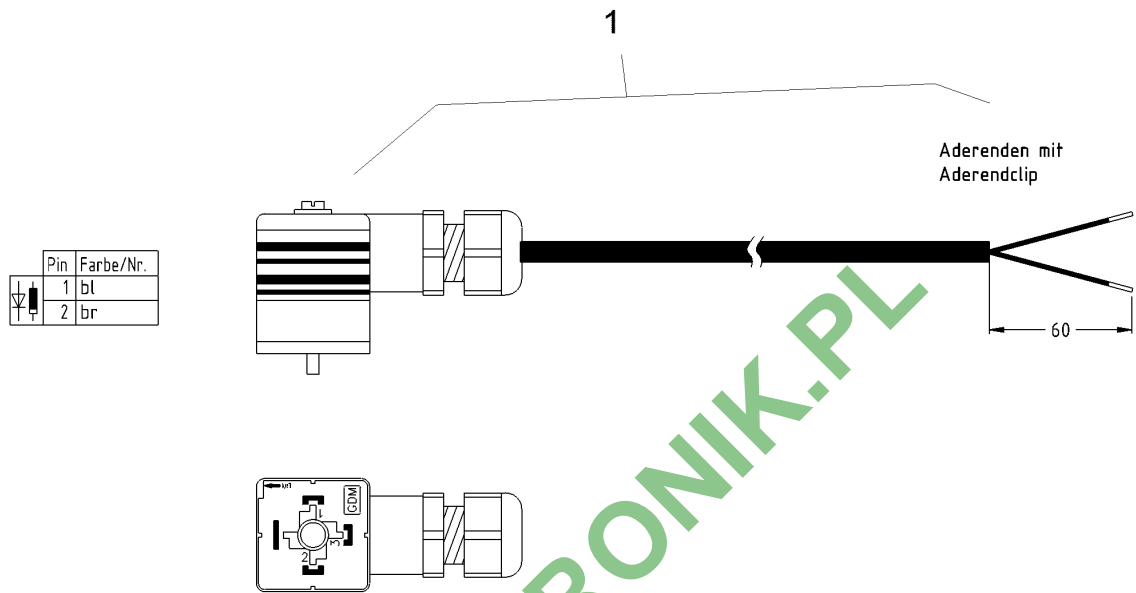
| | |
|-----------------------------|----------|
| EuroTrain 2600 TC / 3500 TC | F40 2175 |
|-----------------------------|----------|



06.17

| Pos. | Art.Nr. | Stck. | Artikeltext / Description | Abmessung |
|------|----------|-------|---------------------------|-------------------------|
| 1 | 373 1302 | 1 | Sicherung Fuse | 25A 6x25 DIN72581-T1 |

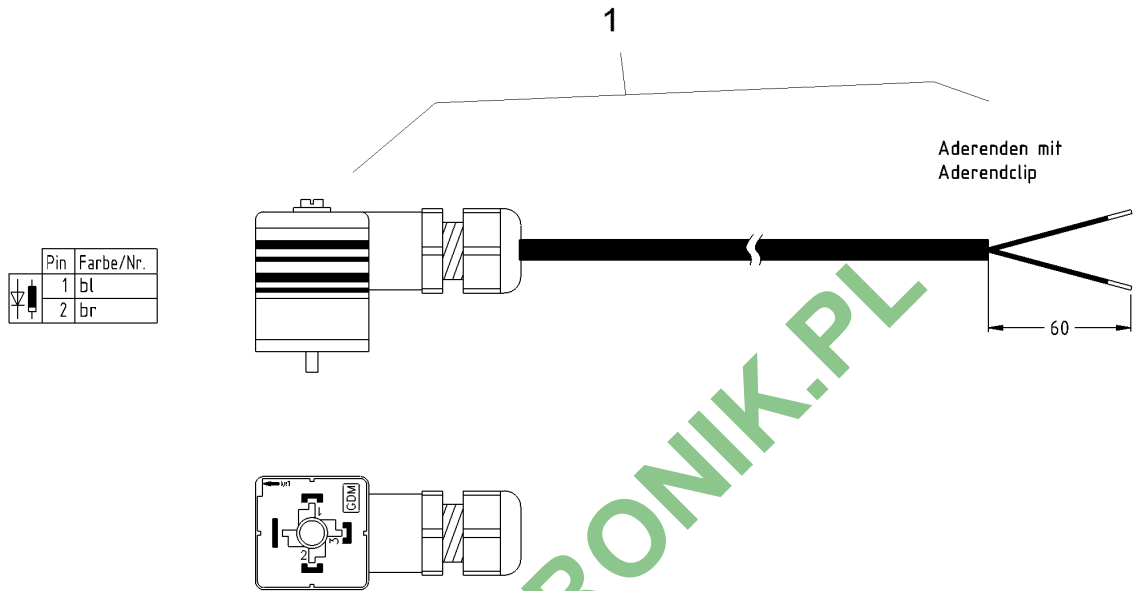
| | |
|-----------------------------|----------|
| Kabel/Cable | 9 |
| EuroTrain 2600 TC / 3500 TC | F41 0204 |



06.17

| Pos. | Art.Nr. | Stck. | Artikeltext / Description | Abmessung |
|------|----------|-------|---------------------------|-----------|
| 1 | F41 0204 | 1 | Kabel Cable | 1000 mm |

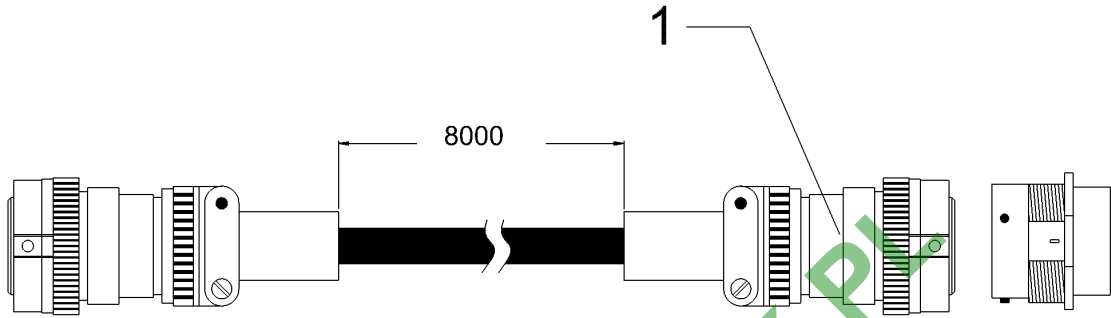
| | |
|-----------------------------|----------|
| Kabel/Cable | 9 |
| EuroTrain 2600 TC / 3500 TC | F41 0205 |



06.17

| Pos. | Art.Nr. | Stck. | Artikeltext / Description | Abmessung |
|------|----------|-------|---------------------------|-----------|
| 1 | F41 0205 | 1 | Kabel Cable | 1900 mm |

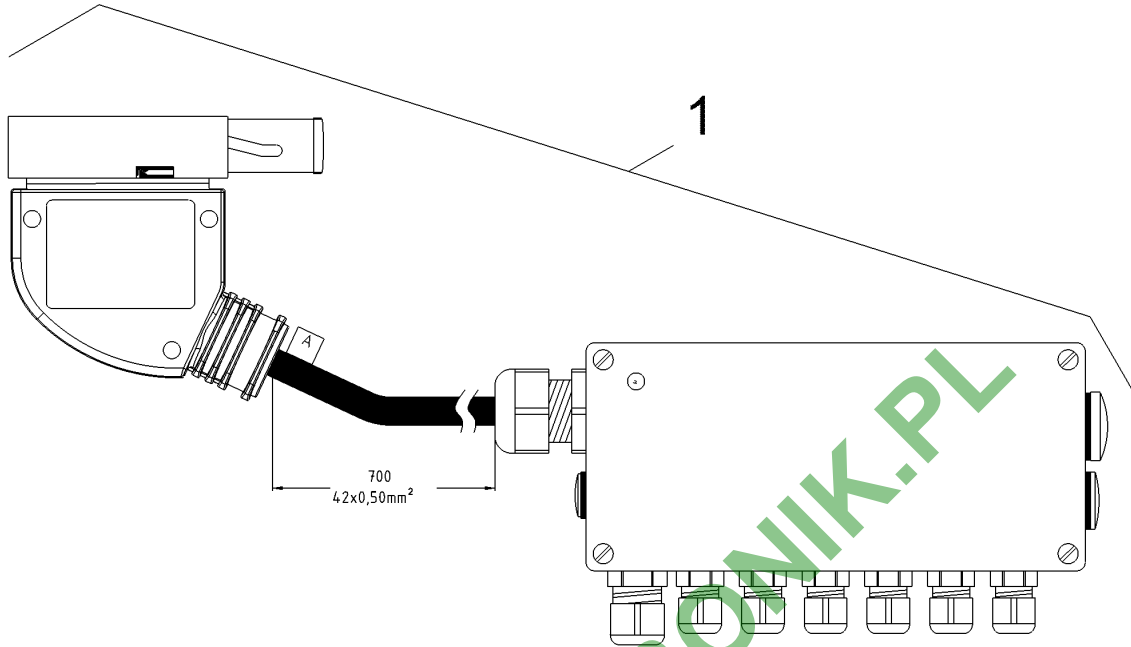
| | |
|-----------------------------|----------|
| Kabel/Cable | 9 |
| EuroTrain 2600 TC / 3500 TC | F41 0212 |



06.17

| Pos. | Art.Nr. | Stck. | Artikeltext / Description | Abmessung |
|------|----------|-------|---------------------------|----------------|
| 1 | F41 0212 | 1 | Kabel Cable | 8M-LBS-/ISOBUS |

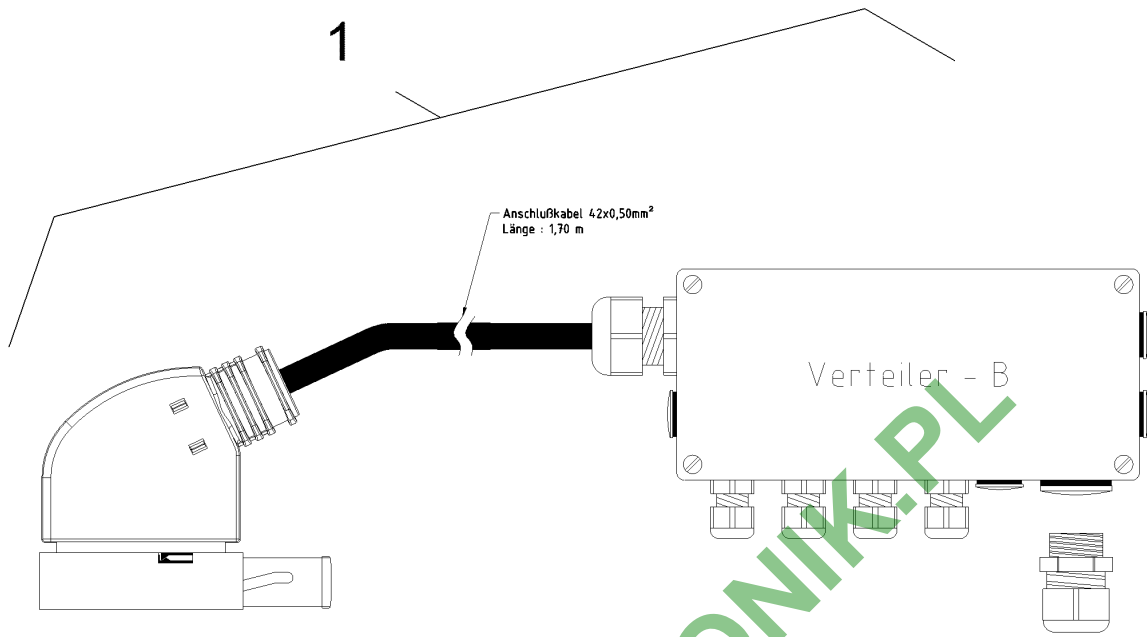
| | |
|-----------------------------|----------|
| Kabelbaum/Cable form | 9 |
| EuroTrain 2600 TC / 3500 TC | F41 0214 |



06.17

| Pos. | Art.Nr. | Stck. | Artikeltext / Description | Abmessung |
|------|----------|-------|---------------------------|-----------|
| 1 | F41 0214 | 1 | Kabelbaum Cable form | A |

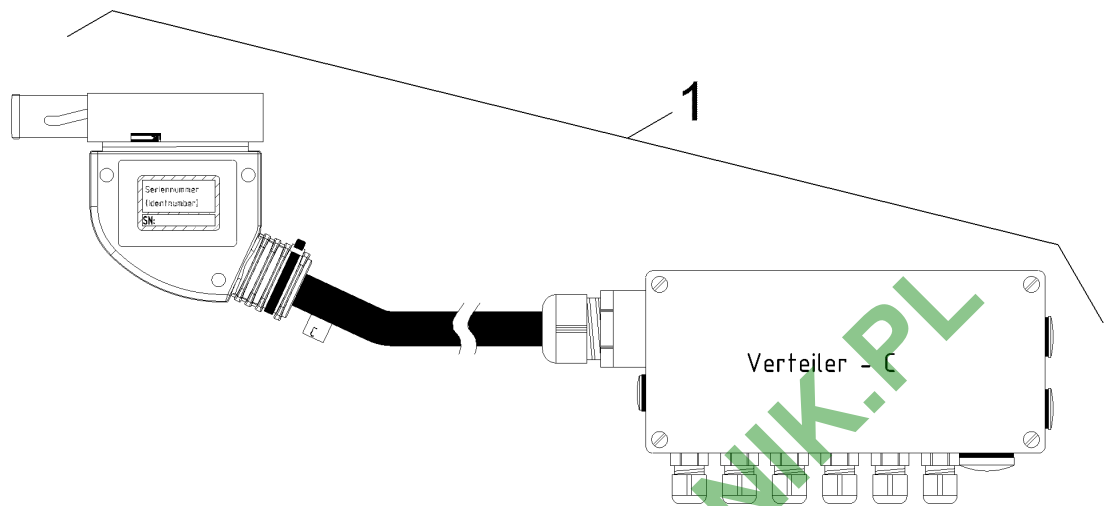
| | |
|-----------------------------|----------|
| Kabelbaum/Cable form | 9 |
| EuroTrain 2600 TC / 3500 TC | F41 0215 |



06.17

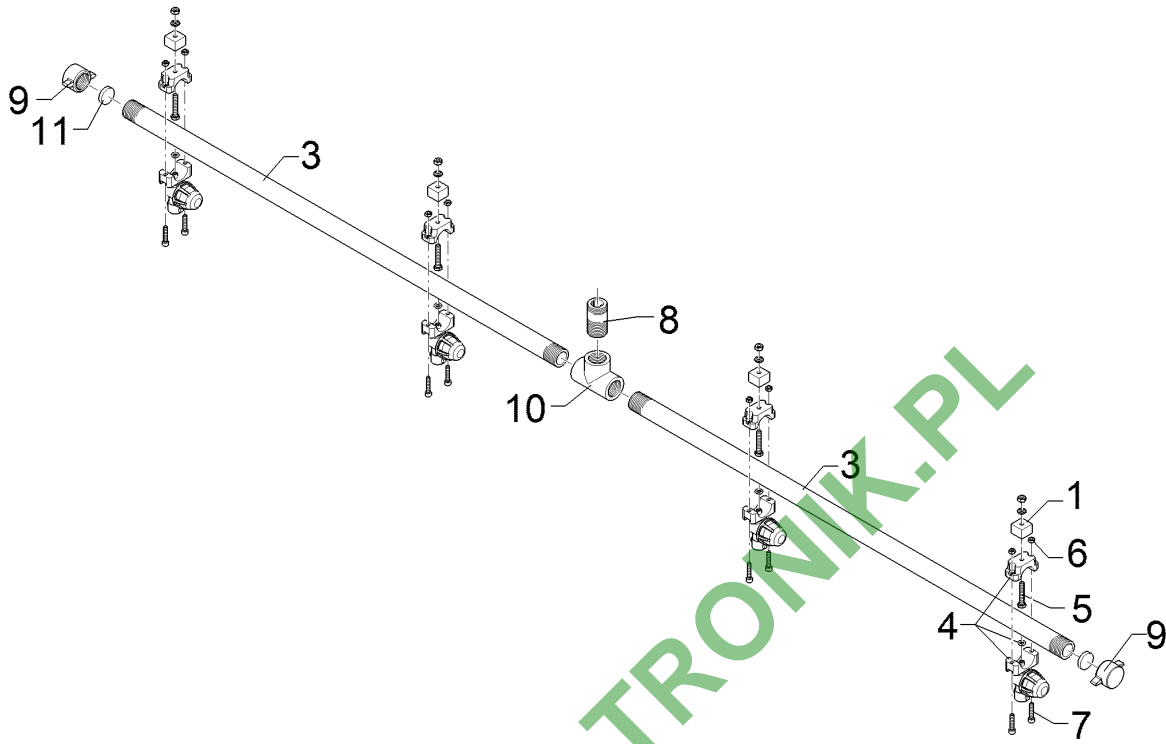
| Pos. | Art.Nr. | Stck. | Artikeltext / Description | Abmessung |
|------|----------|-------|---------------------------|-----------|
| 1 | F41 0215 | 1 | Kabelbaum Cable form | B |

| | |
|-----------------------------|----------|
| Kabelbaum/Cable form | 9 |
| EuroTrain 2600 TC / 3500 TC | F41 0216 |



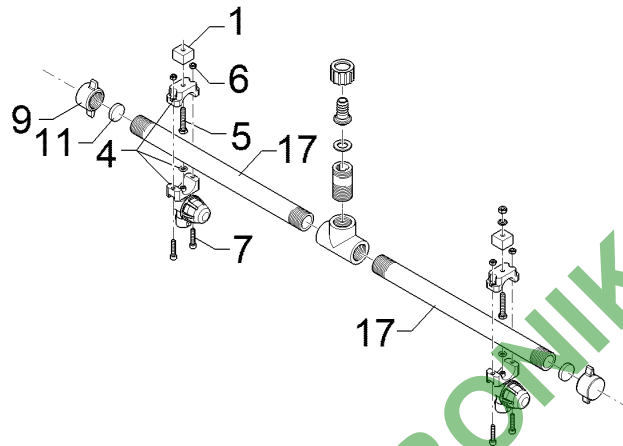
06.17

| Pos. | Art.Nr. | Stck. | Artikeltext / Description | Abmessung |
|------|----------|-------|---------------------------|-----------|
| 1 | F41 0216 | 1 | Kabelbaum Cable form | C |



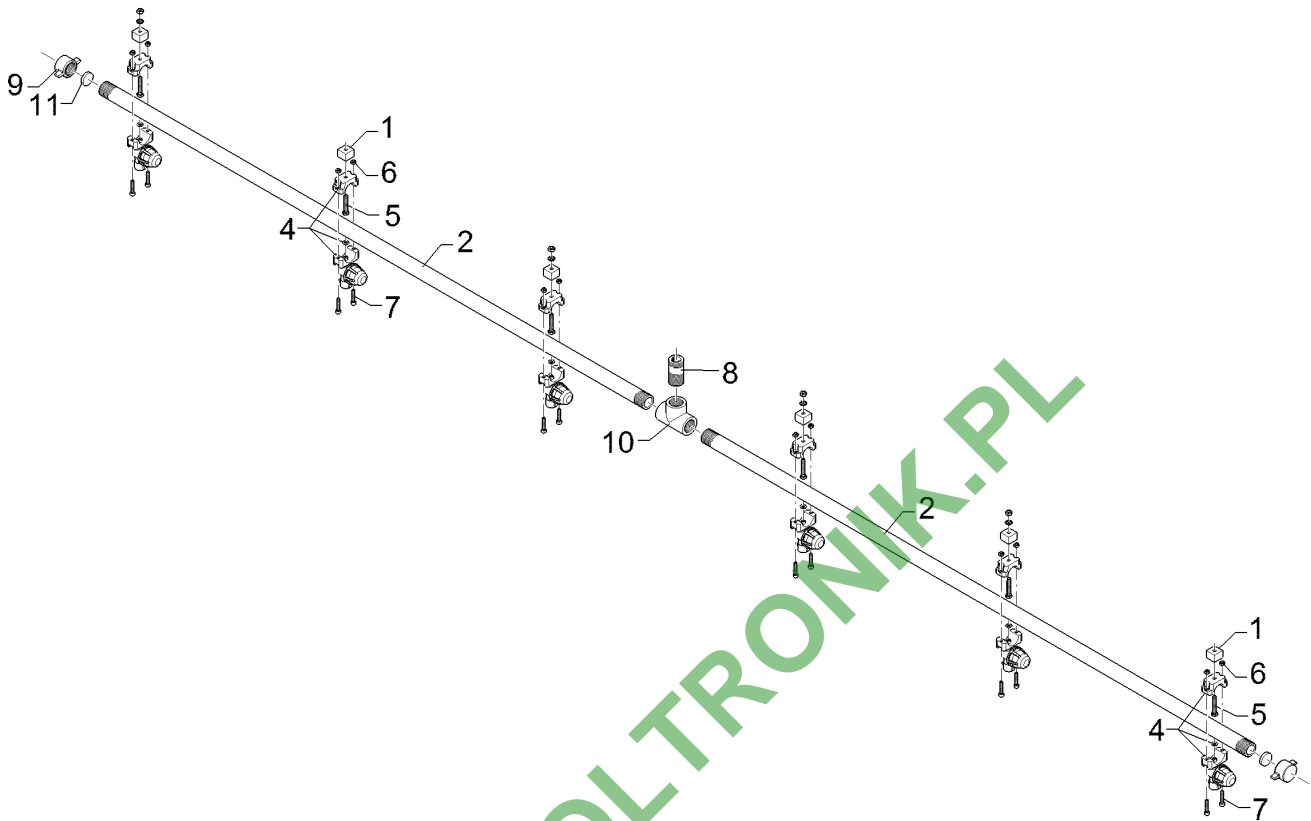
06.17

| Pos. | Art.Nr. | Stck. | Artikeltext / Description | | Abmessung |
|------|----------|-------|---------------------------|--------------|------------------|
| 1 | F01 0494 | 4 | Distanzstück | Spacer | 20x20x15 1xD5,75 |
| 3 | F01 1345 | 2 | Flüssigkeitsrohr | Tube | 2D 26,5x3,75x822 |
| 4 | F02 1131 | 4 | Membrandüsenhalter | Holder | 1F |
| 5 | 30110172 | 4 | Sechskantschraube | Hexagon bolt | M6x35-A2 DIN933 |
| 6 | 30310021 | 8 | Sechskantmutter | Hexagon nut | M5 DIN934-A4 |
| 7 | 30110469 | 8 | Zylinderschraube | Allen screw | M5x25-A2 DIN912 |
| 8 | 37810503 | 1 | Adapter | Adapter | G3/4ZLA G3/4ZLA |
| 9 | F61 0941 | 2 | Verschlussmutter | Cap nut | G3/4 ZL SYN |
| 10 | F61 1279 | 1 | T-Stück | T-piece | 3xG3/4 ZL i. |
| 11 | F61 3919 | 2 | Dichtung | Seal | 24,5 a. |



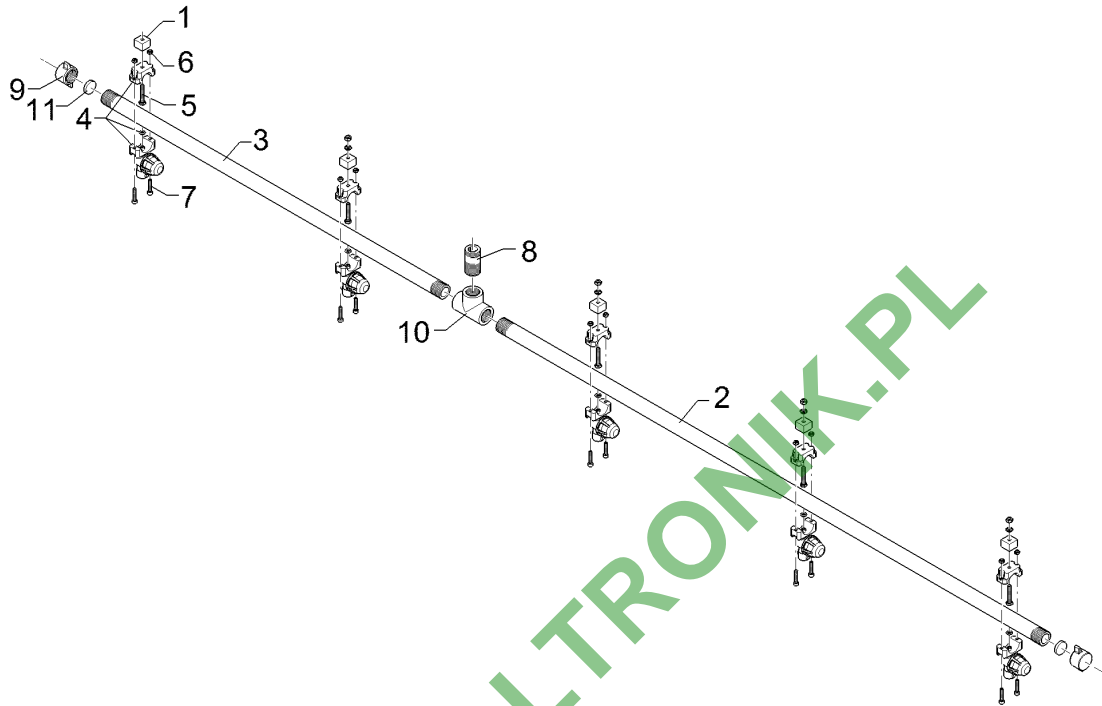
06.17

| Pos. | Art.Nr. | Stck. | Artikeltext / Description | | Abmessung |
|------|----------|-------|---------------------------|--------------|------------------|
| 1 | F01 0494 | 2 | Distanzstück | Spacer | 20x20x15 1xD5,75 |
| 4 | F02 1131 | 2 | Membrandüsenhalter | Holder | 1F |
| 5 | 30110172 | 2 | Sechskantschraube | Hexagon bolt | M6x35-A2 DIN933 |
| 6 | 30310021 | 4 | Sechskantmutter | Hexagon nut | M5 DIN934-A4 |
| 7 | 30110469 | 4 | Zylinderschraube | Allen screw | M5x25-A2 DIN912 |
| 8 | 37810503 | 1 | Adapter | Adapter | G3/4ZLA G3/4ZLA |
| 9 | F61 0941 | 2 | Verschlussmutter | Cap nut | G3/4 ZL SYN |
| 10 | F61 1279 | 1 | T-Stück | T-piece | 3xG3/4 ZL i. |
| 11 | F61 3919 | 2 | Dichtung | Seal | 24,5 a. |
| 17 | F01 1346 | 2 | Flüssigkeitsrohr | Tube | 1D 26,5x3,75x322 |



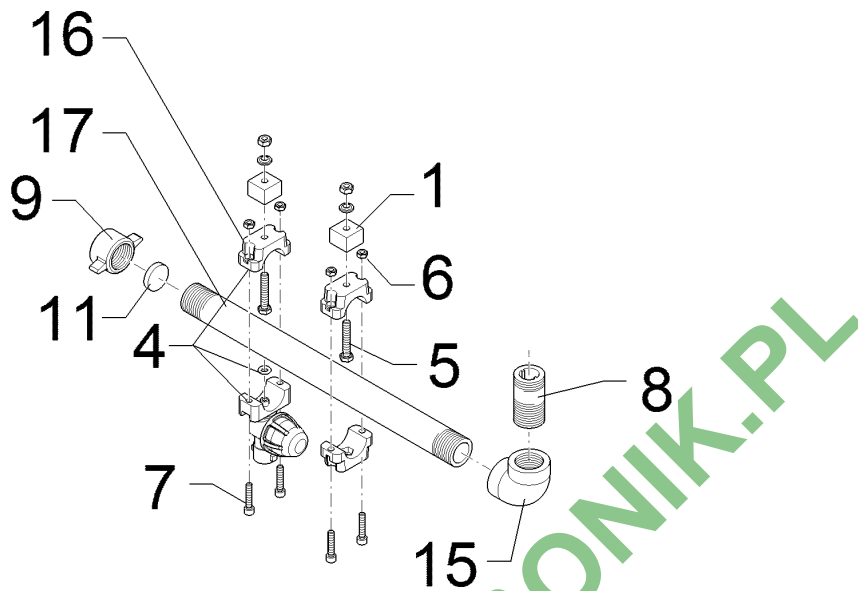
06.17

| Pos. | Art.Nr. | Stck. | Artikeltext / Description | | Abmessung |
|------|----------|-------|---------------------------|--------------|-------------------|
| 1 | F01 0494 | 6 | Distanzstück | Spacer | 20x20x15 1xD5,75 |
| 2 | F01 1344 | 2 | Flüssigkeitsrohr | Tube | 3D 26,5x3,75x1322 |
| 4 | F02 1131 | 6 | Membrandüsenhalter | Holder | 1F |
| 5 | 30110172 | 6 | Sechskantschraube | Hexagon bolt | M6x35-A2 DIN933 |
| 6 | 30310021 | 12 | Sechskantmutter | Hexagon nut | M5 DIN934-A4 |
| 7 | 30110469 | 12 | Zylinderschraube | Allen screw | M5x25-A2 DIN912 |
| 8 | 37810503 | 1 | Adapter | Adapter | G3/4ZLA G3/4ZLA |
| 9 | F61 0941 | 2 | Verschlussmutter | Cap nut | G3/4 ZL SYN |
| 10 | F61 1279 | 1 | T-Stück | T-piece | 3xG3/4 ZL i. |
| 11 | F61 3919 | 2 | Dichtung | Seal | 24,5 a. |



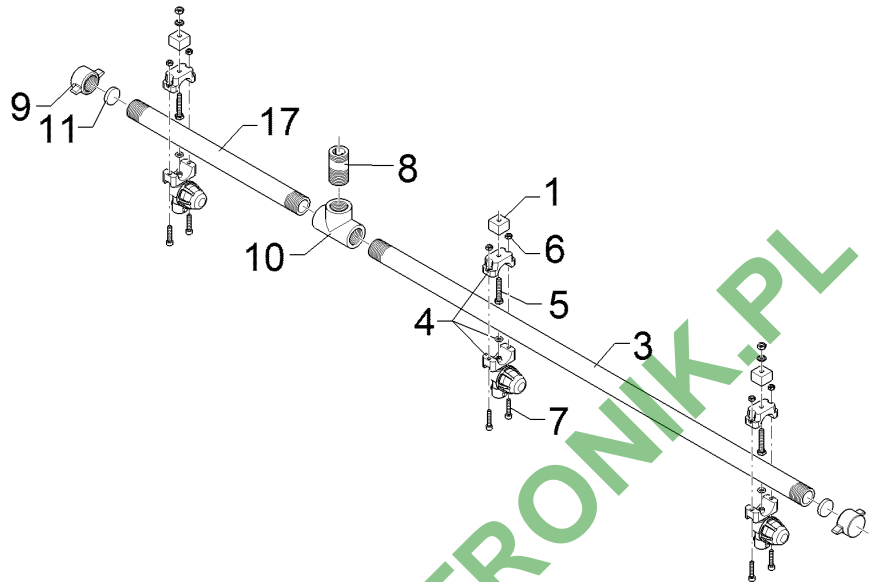
06.17

| Pos. | Art.Nr. | Stck. | Artikeltext / Description | | Abmessung |
|------|----------|-------|---------------------------|--------------|-------------------|
| 1 | F01 0494 | 5 | Distanzstück | Spacer | 20x20x15 1xD5,75 |
| 2 | F01 1344 | 1 | Flüssigkeitsrohr | Tube | 3D 26,5x3,75x1322 |
| 3 | F01 1345 | 1 | Flüssigkeitsrohr | Tube | 2D 26,5x3,75x822 |
| 4 | F02 1131 | 5 | Membrandüsenhalter | Holder | 1F |
| 5 | 30110172 | 5 | Sechskantschraube | Hexagon bolt | M6x35-A2 DIN933 |
| 6 | 30310021 | 10 | Sechskantmutter | Hexagon nut | M5 DIN934-A4 |
| 7 | 30110469 | 10 | Zylinderschraube | Allen screw | M5x25-A2 DIN912 |
| 8 | 37810503 | 1 | Adapter | Adapter | G3/4ZLA G3/4ZLA |
| 9 | F61 0941 | 2 | Verschlussmutter | Cap nut | G3/4 ZL SYN |
| 10 | F61 1279 | 1 | T-Stück | T-piece | 3xG3/4 ZL i. |
| 11 | F61 3919 | 2 | Dichtung | Seal | 24,5 a. |



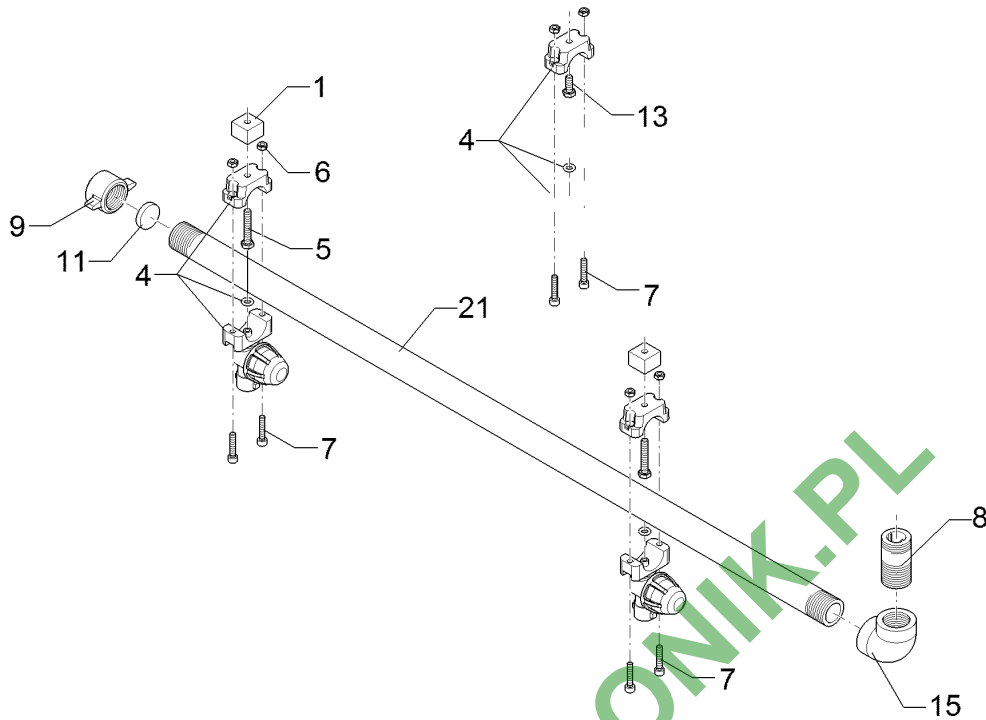
06.17

| Pos. | Art.Nr. | Stck. | Artikeltext / Description | Abmessung | |
|------|----------|-------|---------------------------|--------------|------------------|
| 1 | F01 0494 | 2 | Distanzstück | Spacer | 20x20x15 1xD5,75 |
| 4 | F02 1131 | 1 | Membrandüsenhalter | Holder | 1F |
| 5 | 30110172 | 2 | Sechskantschraube | Hexagon bolt | M6x35-A2 DIN933 |
| 6 | 30310021 | 4 | Sechskantmutter | Hexagon nut | M5 DIN934-A4 |
| 7 | 30110469 | 4 | Zylinderschraube | Allen screw | M5x25-A2 DIN912 |
| 8 | 37810503 | 1 | Adapter | Adapter | G3/4ZLA G3/4ZLA |
| 9 | F61 0941 | 1 | Verschlussmutter | Cap nut | G3/4 ZL SYN |
| 11 | F61 3919 | 1 | Dichtung | Seal | 24,5 a. |
| 15 | F61 1282 | 1 | Bogen | Curve | G3/4 ZL i. |
| 16 | F61 3756 | 2 | UT-Schelle | Clamp | - |
| 17 | F01 1346 | 1 | Flüssigkeitsrohr | Tube | 1D 26,5x3,75x322 |



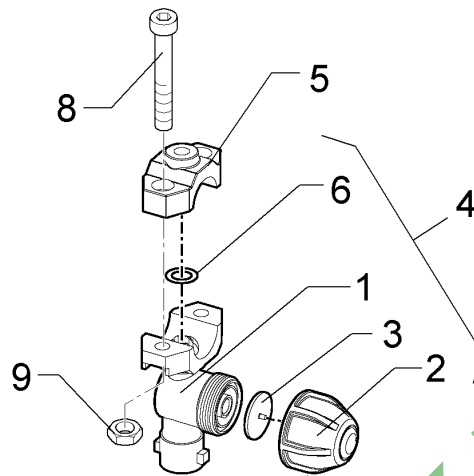
06.17

| Pos. | Art.Nr. | Stck. | Artikeltext / Description | | Abmessung |
|------|----------|-------|---------------------------|--------------|------------------|
| 1 | F01 0494 | 3 | Distanzstück | Spacer | 20x20x15 1xD5,75 |
| 3 | F01 1345 | 1 | Flüssigkeitsrohr | Tube | 2D 26,5x3,75x822 |
| 4 | F02 1131 | 3 | Membrandüsenhalter | Holder | 1F |
| 5 | 30110172 | 3 | Sechskantschraube | Hexagon bolt | M6x35-A2 DIN933 |
| 6 | 30310021 | 6 | Sechskantmutter | Hexagon nut | M5 DIN934-A4 |
| 7 | 30110469 | 6 | Zylinderschraube | Allen screw | M5x25-A2 DIN912 |
| 8 | 37810503 | 1 | Adapter | Adapter | G3/4ZLA G3/4ZLA |
| 9 | F61 0941 | 2 | Verschlussmutter | Cap nut | G3/4 ZL SYN |
| 10 | F61 1279 | 1 | T-Stück | T-piece | 3xG3/4 ZL i. |
| 11 | F61 3919 | 2 | Dichtung | Seal | 24,5 a. |
| 17 | F01 1346 | 1 | Flüssigkeitsrohr | Tube | 1D 26,5x3,75x322 |



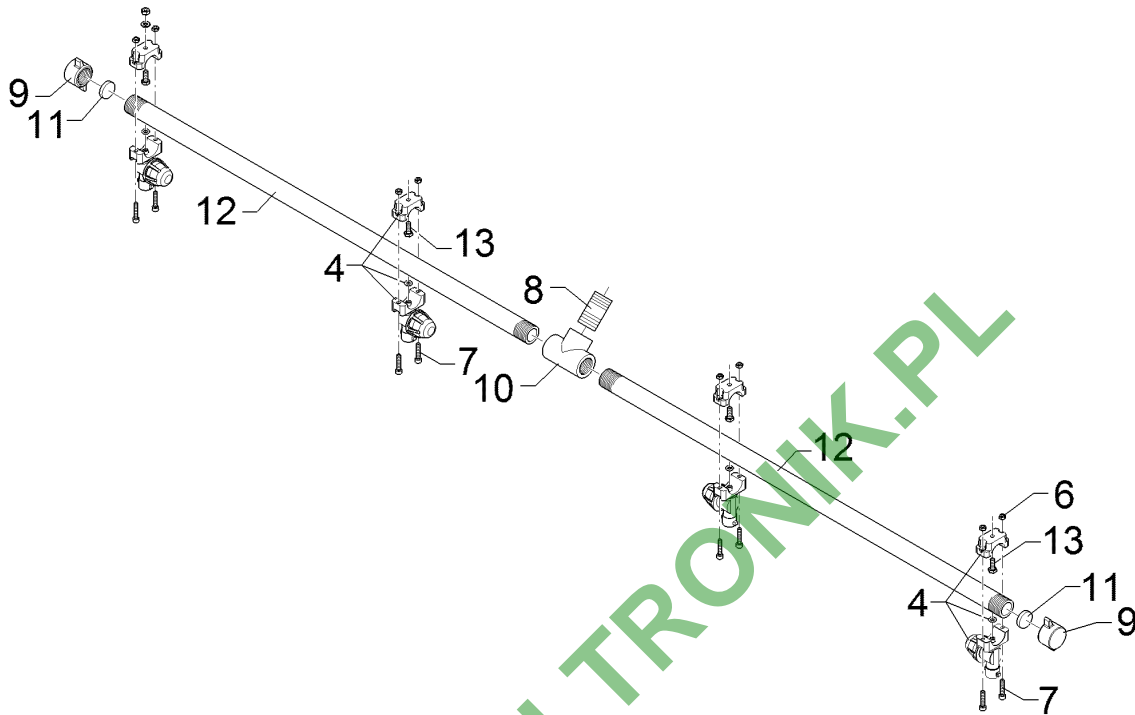
06.17

| Pos. | Art.Nr. | Stck. | Artikeltext / Description | Abmessung | |
|------|----------|-------|---------------------------|--------------|------------------|
| 1 | F01 0494 | 2 | Distanzstück | Spacer | 20x20x15 1xD5,75 |
| 4 | F02 1131 | 2 | Membrandüsenhalter | Holder | 1F |
| 5 | 30110172 | 2 | Sechskantschraube | Hexagon bolt | M6x35-A2 DIN933 |
| 6 | 30310021 | 4 | Sechskantmutter | Hexagon nut | M5 DIN934-A4 |
| 7 | 30110469 | 4 | Zylinderschraube | Allen screw | M5x25-A2 DIN912 |
| 8 | 37810503 | 1 | Adapter | Adapter | G3/4ZLA G3/4ZLA |
| 9 | F61 0941 | 1 | Verschlussmutter | Cap nut | G3/4 ZL SYN |
| 11 | F61 3919 | 1 | Dichtung | Seal | 24,5 a. |
| 15 | F61 1282 | 1 | Bogen | Curve | G3/4 ZL i. |
| 21 | F01 1345 | 1 | Flüssigkeitsrohr | Tube | 2D 26,5x3,75x822 |



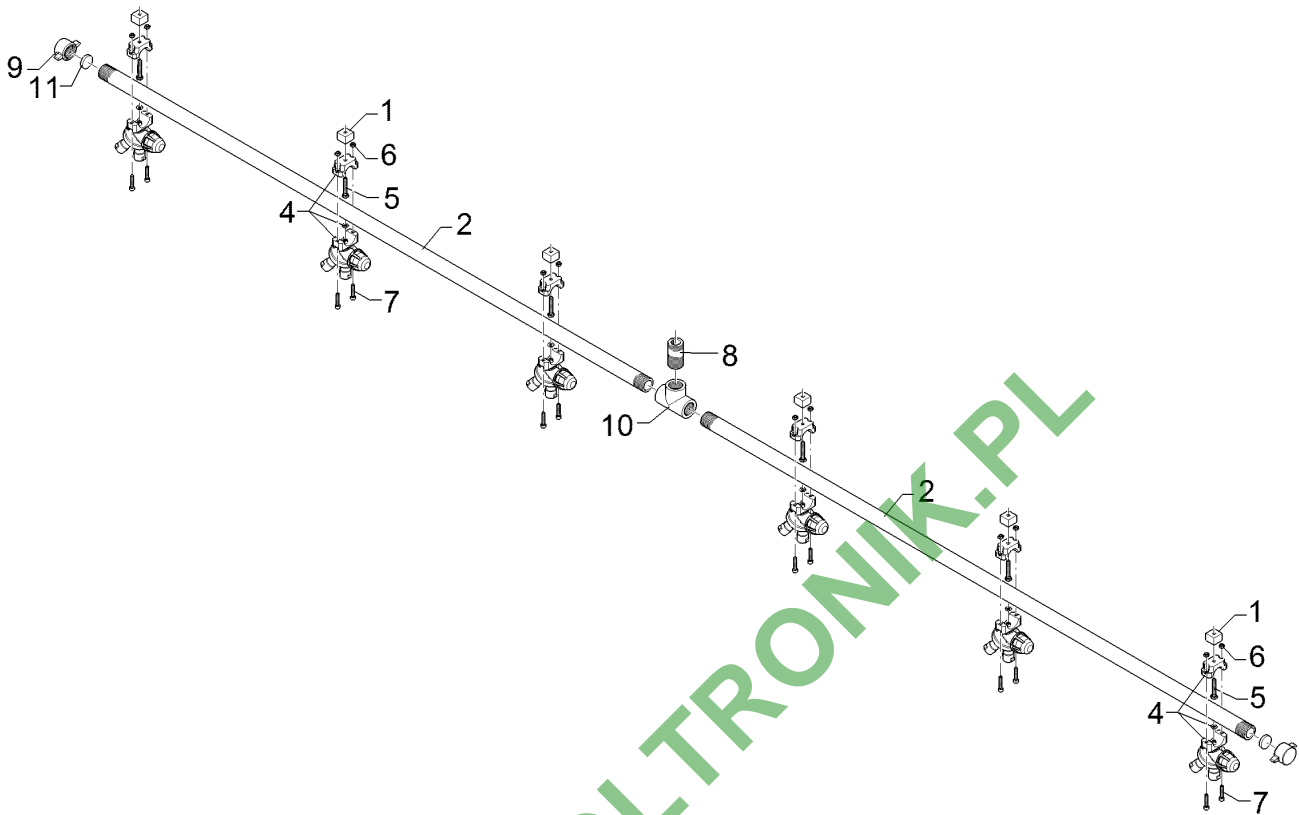
06.17

| Pos. | Art.Nr. | Stck. | Artikeltext / Description | Abmessung |
|------|----------|-------|---------------------------|-------------|
| 1 | F61 3154 | 1 | Membrandüsenhalter | Holder |
| 2 | F61 3927 | 1 | Ventilkörper | Valve body |
| 3 | F61 3392 | 1 | Membran | Membrane |
| 4 | F61 3112 | 1 | Membrandüsenhalter | Holder |
| 5 | F61 3756 | 1 | UT-Schelle | Clamp |
| 6 | F61 1955 | 1 | O-Ring | O-ring |
| 8 | 30110469 | 2 | Zylinderschraube | Allen screw |
| 9 | 30310021 | 2 | Sechskantmutter | Hexagon nut |



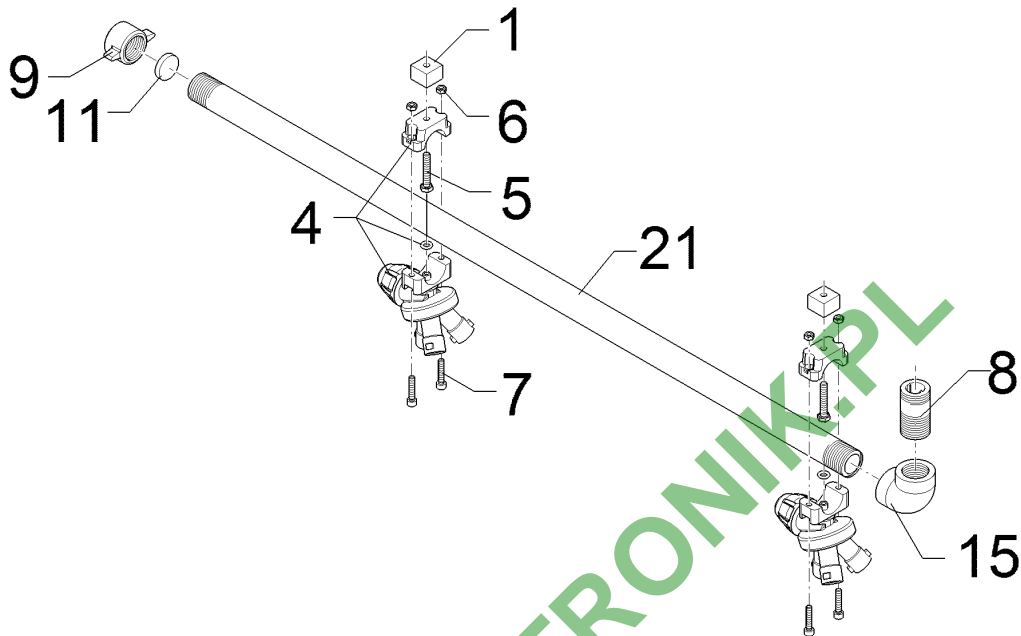
06.17

| Pos. | Art.Nr. | Stck. | Artikeltext / Description | | Abmessung |
|------|----------|-------|---------------------------|--------------|-------------------|
| 4 | F02 1131 | 4 | Membrandüsenhalter | Holder | 1F |
| 6 | 30310021 | 8 | Sechskantmutter | Hexagon nut | M5 DIN934-A4 |
| 7 | 30110469 | 8 | Zylinderschraube | Allen screw | M5x25-A2 DIN912 |
| 8 | 37810503 | 1 | Adapter | Adapter | G3/4ZLA G3/4ZLA |
| 9 | F61 0941 | 2 | Verschlussmutter | Cap nut | G3/4 ZL SYN |
| 10 | F61 1279 | 1 | T-Stück | T-piece | 3xG3/4 ZL i. |
| 11 | F61 3919 | 2 | Dichtung | Seal | 24,5 a. |
| 12 | F01 4532 | 2 | Flüssigkeitsrohr | Tube | 2D D26,5x3,75x762 |
| 13 | 301 7513 | 4 | Sechskantschraube | Hexagon bolt | M6x16-A2 DIN933 |



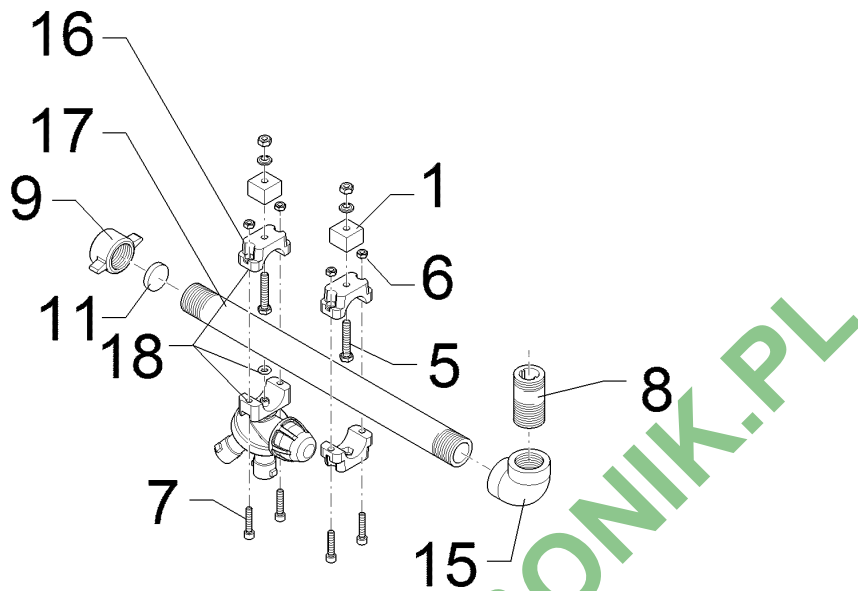
06.17

| Pos. | Art.Nr. | Stck. | Artikeltext / Description | Abmessung | |
|------|----------|-------|---------------------------|--------------|-------------------|
| 1 | F01 0494 | 6 | Distanzstück | Spacer | 20x20x15 1xD5,75 |
| 2 | F01 1344 | 2 | Flüssigkeitsrohr | Tube | 3D 26,5x3,75x1322 |
| 5 | 30110172 | 6 | Sechskantschraube | Hexagon bolt | M6x35-A2 DIN933 |
| 6 | 30310021 | 12 | Sechskantmutter | Hexagon nut | M5 DIN934-A4 |
| 7 | 30110469 | 12 | Zylinderschraube | Allen screw | M5x25-A2 DIN912 |
| 8 | 37810503 | 1 | Adapter | Adapter | G3/4ZLA G3/4ZLA |
| 9 | F61 0941 | 2 | Verschlussmutter | Cap nut | G3/4 ZL SYN |
| 10 | F61 1279 | 1 | T-Stück | T-piece | 3xG3/4 ZL i. |
| 11 | F61 3919 | 2 | Dichtung | Seal | 24,5 a. |
| 18 | F13 0136 | 6 | Membrandüsenhalter | Holder | 3F |



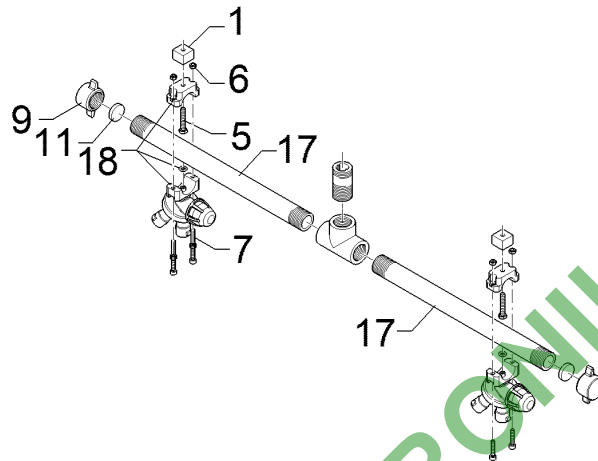
06.17

| Pos. | Art.Nr. | Stck. | Artikeltext / Description | | Abmessung |
|------|----------|-------|---------------------------|--------------|------------------|
| 1 | F01 0494 | 2 | Distanzstück | Spacer | 20x20x15 1xD5,75 |
| 4 | F13 0136 | 2 | Membrandüsenhalter | Holder | 3F |
| 5 | 30110172 | 2 | Sechskantschraube | Hexagon bolt | M6x35-A2 DIN933 |
| 6 | 30310021 | 4 | Sechskantmutter | Hexagon nut | M5 DIN934-A4 |
| 7 | 30110599 | 4 | Zylinderschraube | Allen screw | M5x25 DIN84 A2 |
| 8 | 37810503 | 1 | Adapter | Adapter | G3/4ZLA G3/4ZLA |
| 9 | F61 0941 | 1 | Verschlussmutter | Cap nut | G3/4 ZL SYN |
| 11 | F61 3919 | 1 | Dichtung | Seal | 24,5 a. |
| 15 | F61 1282 | 1 | Bogen | Curve | G3/4 ZL i. |
| 21 | F01 1345 | 1 | Flüssigkeitsrohr | Tube | 2D 26,5x3,75x822 |



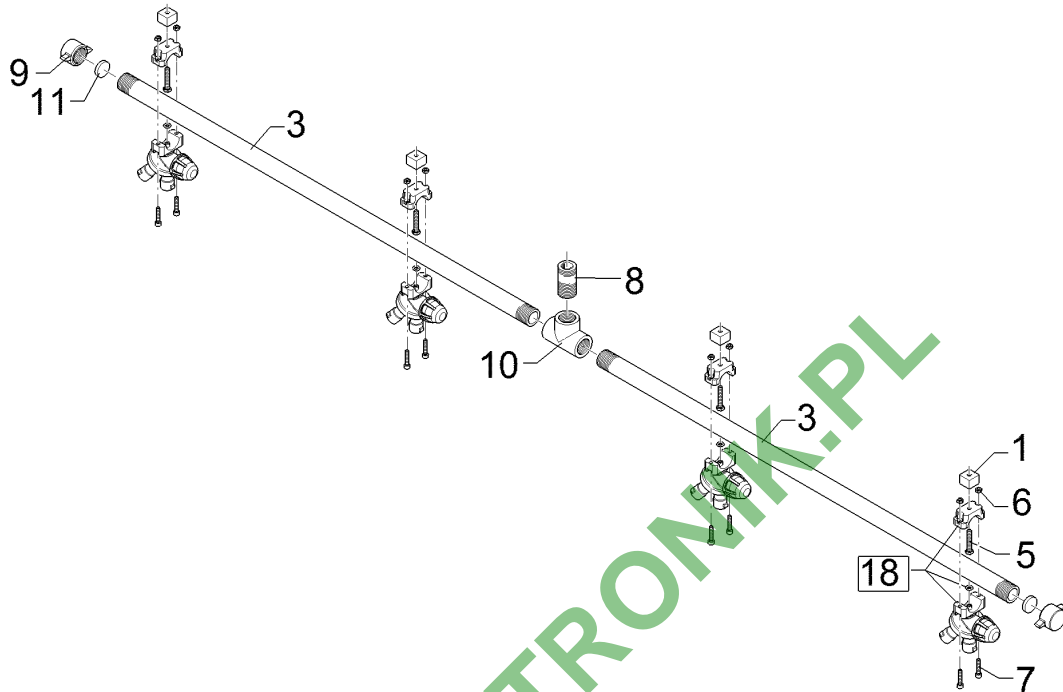
06.17

| Pos. | Art.Nr. | Stck. | Artikeltext / Description | Abmessung | |
|------|----------|-------|---------------------------|--------------|------------------|
| 1 | F01 0494 | 2 | Distanzstück | Spacer | 20x20x15 1xD5,75 |
| 5 | 30110172 | 2 | Sechskantschraube | Hexagon bolt | M6x35-A2 DIN933 |
| 6 | 30310021 | 4 | Sechskantmutter | Hexagon nut | M5 DIN934-A4 |
| 7 | 30110469 | 4 | Zylinderschraube | Allen screw | M5x25-A2 DIN912 |
| 8 | 37810503 | 1 | Adapter | Adapter | G3/4ZLA G3/4ZLA |
| 9 | F61 0941 | 1 | Verschlussmutter | Cap nut | G3/4 ZL SYN |
| 10 | F61 1282 | 1 | Bogen | Curve | G3/4 ZL i. |
| 11 | F61 3919 | 1 | Dichtung | Seal | 24,5 a. |
| 16 | F61 3756 | 2 | UT-Schelle | Clamp | - |
| 17 | F01 1346 | 1 | Flüssigkeitsrohr | Tube | 1D 26,5x3,75x322 |
| 18 | F13 0136 | 1 | Membrandüsenhalter | Holder | 3F |



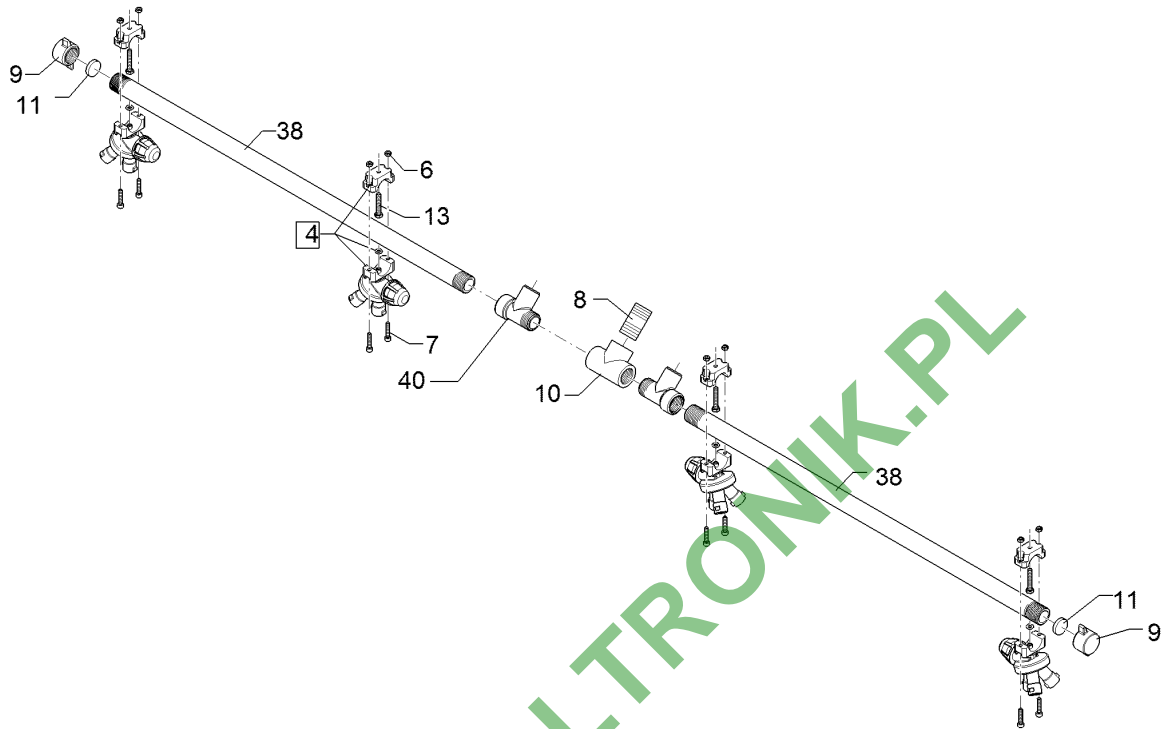
06.17

| Pos. | Art.Nr. | Stck. | Artikeltext / Description | Abmessung | |
|------|----------|-------|---------------------------|--------------|------------------|
| 1 | F01 0494 | 2 | Distanzstück | Spacer | 20x20x15 1xD5,75 |
| 5 | 30110172 | 2 | Sechskantschraube | Hexagon bolt | M6x35-A2 DIN933 |
| 6 | 30310021 | 4 | Sechskantmutter | Hexagon nut | M5 DIN934-A4 |
| 7 | 30110469 | 4 | Zylinderschraube | Allen screw | M5x25-A2 DIN912 |
| 8 | 37810503 | 1 | Adapter | Adapter | G3/4ZLA G3/4ZLA |
| 9 | F61 0941 | 2 | Verschlussmutter | Cap nut | G3/4 ZL SYN |
| 10 | F61 1279 | 1 | T-Stück | T-piece | 3xG3/4 ZL i. |
| 11 | F61 3919 | 2 | Dichtung | Seal | 24,5 a. |
| 17 | F01 1346 | 2 | Flüssigkeitsrohr | Tube | 1D 26,5x3,75x322 |
| 18 | F13 0136 | 2 | Membrandüsenhalter | Holder | 3F |



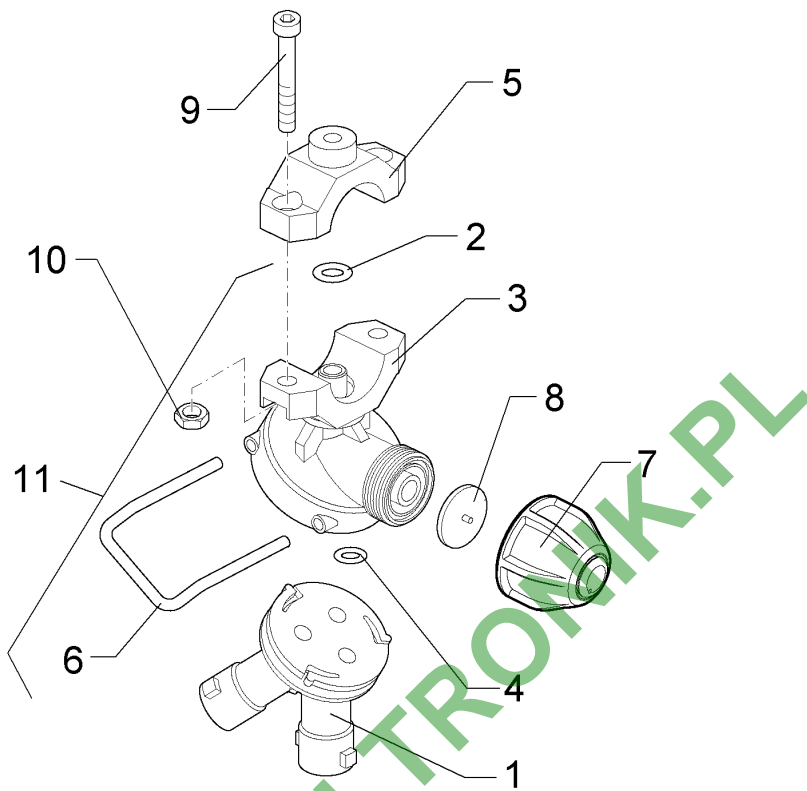
06.17

| Pos. | Art.Nr. | Stck. | Artikeltext / Description | | Abmessung |
|------|----------|-------|---------------------------|--------------|------------------|
| 1 | F01 0494 | 4 | Distanzstück | Spacer | 20x20x15 1xD5,75 |
| 3 | F01 1345 | 2 | Flüssigkeitsrohr | Tube | 2D 26,5x3,75x822 |
| 5 | 30110172 | 4 | Sechskantschraube | Hexagon bolt | M6x35-A2 DIN933 |
| 6 | 30310021 | 8 | Sechskantmutter | Hexagon nut | M5 DIN934-A4 |
| 7 | 30110469 | 8 | Zylinderschraube | Allen screw | M5x25-A2 DIN912 |
| 8 | 37810503 | 1 | Adapter | Adapter | G3/4ZLA G3/4ZLA |
| 9 | F61 0941 | 2 | Verschlussmutter | Cap nut | G3/4 ZL SYN |
| 10 | F61 1279 | 1 | T-Stück | T-piece | 3xG3/4 ZL i. |
| 11 | F61 3919 | 2 | Dichtung | Seal | 24,5 a. |
| 18 | F13 0136 | 4 | Membrandüsenhalter | Holder | 3F |



06.17

| Pos. | Art.Nr. | Stck. | Artikeltext / Description | Abmessung | |
|------|----------|-------|---------------------------|--------------|---|
| 4 | F13 0136 | 4 | Membrandüsenhalter | Holder | 3F |
| 6 | 30310021 | 8 | Sechskantmutter | Hexagon nut | M5 DIN934-A4 |
| 7 | 30110469 | 8 | Zylinderschraube | Allen screw | M5x25-A2 DIN912 |
| 8 | 37810503 | 1 | Adapter | Adapter | G3/4ZLA G3/4ZLA |
| 9 | F61 0941 | 2 | Verschlussmutter | Cap nut | G3/4 ZL SYN |
| 10 | F61 1279 | 1 | T-Stück | T-piece | 3xG3/4 ZL i. |
| 11 | F61 3919 | 2 | Dichtung | Seal | 24,5 a. |
| 13 | 301 7513 | 4 | Sechskantschraube | Hexagon bolt | M6x16-A2 DIN933 |
| 38 | F11 0241 | 2 | Flüssigkeitsrohr | Tube | D26,5x3,75x709 |
| 40 | F01 0209 | 2 | T-Stück | T-piece | 2DUE 2xG ³ / ₄ x18 1xG3/4 ZL i./2xG3/4 ZL a. |



06.17

| Pos. | Art.Nr. | Stck. | Artikeltext / Description | Abmessung | |
|------|----------|-------|---------------------------|---------------|-----------------|
| 1 | F61 3134 | 1 | Düsenhalter | Nozzle holder | 3f |
| 2 | F61 1955 | 1 | O-Ring | O-ring | 6x2,5 |
| 3 | F61 3926 | 1 | Oberteil | Upper part | - |
| 4 | F61 2377 | 1 | O-Ring | O-ring | 7,3x2,4 Viton |
| 5 | F61 3756 | 1 | UT-Schelle | Clamp | - |
| 6 | F61 3925 | 1 | Sicherungsstecker | Plug | D4x36x49,5 |
| 7 | F61 3927 | 1 | Ventilkörper | Valve body | - |
| 8 | F61 3392 | 1 | Membran | Membrane | - |
| 9 | 30110469 | 2 | Zylinderschraube | Allen screw | M5x25-A2 DIN912 |
| 10 | 30310021 | 2 | Sechskantmutter | Hexagon nut | M5 DIN934-A4 |
| 11 | F61 3133 | 1 | Membrandüsenhalter | Holder | 3F |