

Pièces de rechange
Spare parts list
Ersatzteilliste
Catalogo Pezzi di Ricambio

Pulvérisateurs agricoles traînés
Trailed field sprayers
Gezogene Feldspritzen
Irroratrici agricole trainate



0001 >

METRIS



SIGNES CODIFIÉS - STANDARD SYMBOLS - SYMBOLE - SIMBOLI CODIFICATI

OPT	Equipement optionnel
STD	Equipement livré de série
ESP	Equipement livré suivant pays
:	Pour ...
>	De ... à ...
RPL	Remplace ...
∅	Diamètre
> <	Epaisseur
<->	Longueur
<m>	Vendu au mètre
Q?	Quantité selon besoin
*	Voir note
[n]	Composant d'un assemblage
+ [n]	Assemblage comprenant les pièces [n]
<-]	Pièce gauche
[->	Pièce droite

OPT	Optional equipment
STD	Equipment supplied as standard
ESP	Equipment supplied for specific countries
:	For ...
>	From ... to ...
RPL	Replaces ...
∅	Diameter
> <	Thickness
<->	Length
<m>	Sold by the metre
Q?	Quantity as required
*	See note
[n]	Items making up assembly
+ [n]	Assembly made up by items [n]
<-]	Left part
[->	Right part

OPT	Sonderausrüstung
STD	Serienausrüstung
ESP	Länderabhängige Ausrüstung
:	Für ...
>	Von ... bis ...
RPL	Ersetzt ...
∅	Durchmesser
> <	Stärke
<->	Länge
<m>	Meterware
Q?	Stückzahl nach Bedarf
*	Siehe Nota
[n]	Teil einer Baugruppe
+ [n]	Baugruppe bestehend aus den mit [n] bezeichneten Teilen
<-]	Links Teil
[->	Rechts Teil

OPT	Attrezzatura opzionale
STD	Attrezzatura fornita di serie
ESP	Attrezzatura fornita secondo il paese
:	Per ...
>	Da ... A ...
RPL	Sostituisce ...
∅	Diametro
> <	Spessore
<->	Lunghezza
<m>	venduto a metro
Q?	Quantità richiesta
*	Vedi nota
[n]	Componente di un assieme
+ [n]	Assieme comprendente i componenti [n]
<-]	Sx componente
[->	Dx componente

POUR COMMANDER DES PIÈCES DE RECHANGE, VEUILLEZ INDIQUER:

- Le numéro de fabrication de la machine
- Le numéro de la pièce
- La quantité désirée

WHEN ORDERING SERVICE-PARTS, WILL YOU PLEASE MENTION:

- The machine type and serial number
- The part number
- The quantity of parts

BEI DER BESTELLUNG VON ERSATZTEILEN IMMER ANGEBEN:

- Die Seriennummer der Maschine
- Die Nummer des Teiles
- Die gewünschte Stückzahl

NELL'ORDINARE I RICAMBI, SI PREGA DI INDICARE:

- Il tipo ed il numero di serie della macchina
- Il codice del componente
- La quantità desiderata

- Toutes les pièces détachées et sous-ensembles sont à commander au magasin pièces de rechange.
- **Les équipements optionnels (OPT)** ainsi que les **notices d'instructions** sont à commander auprès des **services commerciaux**.
- Service parts and service part assemblies are to be ordered through the spare parts department.
- **Optional equipment (OPT)** and **assembly operator's manuals** should be ordered through the **wholegood sales department**.
- Bestellungen für Ersatzteile und Baugruppen sind an die Ersatzteilabteilung zu richten.
- **Sonderausrüstungen (OPT)** sowie **Montage- und Betriebsanleitungen**, bestellen Sie bitte bei der **Verkaufsabteilung für Maschinen**.
- I ricambi e i sotto-assiemi devono essere ordinati al Magazzino Ricambi.
- **Le attrezzature opzionali (OPT)** ed i **manuali dell'operatore** devono essere ordinati al **Servizio Commerciale**.



TABLE DES MATIERES - TABLE OF CONTENTS - INHALTSVERZEICHNIS - INDICE

Catalogue P.D.R. - Spare parts list - Ersatzteilliste - Pezzi di Ricambio :

GR078ATL E

Grp	Page	Opt	Groupe de pièces	Parts group index	Teilegruppe	Gruppo di parti
001	003		STRUCTURE	STRUCTURE	STRUKTURTEILE	STRUTTURA
020	005		ANNEAU D50 METRIS	RING D50 METRIS	##RING D50 METRIS	##RING D50 METRIS
020	007		ANNEAU D35	RING D35	##RING D35	##RING D35
020	009		ANNEAU METRIS ISO5692-1	RING METRIS ISO5692-1	##RING METRIS ISO5692-1	##RING METRIS ISO5692-1
020	011		ANNEAU D80 METRIS	RING D80 METRIS	##RING D80 METRIS	##RING D80 METRIS
020	013		ANNEAU D40 METRIS	RING D40 METRIS	##RING D40 METRIS	##RING D40 METRIS
020	015		TIMON HAUT METRIS	DRAWBAR HAUT METRIS	DEICHSEL HAUT METRIS	TIMONE HAUT METRIS
270	017		CAPTEUR OC200 METRIS	SENSOR OC200 METRIS	SENSOR OC200 METRIS	SENSORE OC200 METRIS
270	019		CHAINE OC200 METRIS	CHAIN OC200 METRIS	KETTEN OC200 METRIS	##CHAIN OC200 METRIS
070	021		PROTECTEUR PC700 CARDAN	SAFETY GUARDS PC700 UNIVERSAL	SCHUTZVORRICHTUNG PC700 KREUZG	PARAPETTI PC700 CARDANO
050	023		SUSPENSION TIMON	SUSPENSION DRAWBAR	FEDERUNG DEICHSEL	SOSPENSIONE TIMONE
050	025		BEQUILLE DE DEPOSE + SUPPORT	PARKING STAND + SUPPORT	ABSTELLSTUETZE + HALTERUNG	PIEDINO D'APPOGGIO + SUPPORTO
050	027		SUPPORT MANIVELLE	SUPPORT MANIVELLE	HALTERUNG MANIVELLE	SUPPORTO MANIVELLE
050	029		BEQUILLE DE DEPOSE (MECANIQUE)	PARKING STAND (MECHANICAL)	ABSTELLSTUETZE (MECHANIK)	PIEDINO D'APPOGGIO (MECCANICA)
050	031		BEQUILLE DE DEPOSE (HYDRAULIQU)	PARKING STAND (HYDRAULIC)	ABSTELLSTUETZE (HYDRAULIK)	PIEDINO D'APPOGGIO (IDRAULICO)
050	033		BEQUILLE DE DEPOSE (HYDRAULIQU)	PARKING STAND (HYDRAULIC)	ABSTELLSTUETZE (HYDRAULIK)	PIEDINO D'APPOGGIO (IDRAULICO)
050	035		CHASSIS METRIS	FRAME METRIS	RAHMEN METRIS	TELAIO METRIS
050	037		SUPPORT (PASSERELLE)	SUPPORT (FOOT - BRIDGE)	HALTERUNG (LADESTEG)	SUPPORTO (PASSERELLA)
050	039		RAMBARDE METRIS	GUARD METRIS	SCHUTZ METRIS	PROTEZIONE METRIS
050	041		SUPPORT TUYAU	TUBE SUPPORT	HALTERUNGSROHR	SUPPORTO TUBO
050	043		SUPPORT ECHELLE	SUPPORT LADDER	HALTERUNG LEITER	SUPPORTO SCALA
050	045		ECHELLE METRIS	LADDER METRIS	LEITER METRIS	SCALA METRIS
050	047		BUTEE RAMPE	STOP BOOM	ANSCHLAG SPRITZGESTÄNGE	LIMITATORE BARRA IRRORANTE
050	049		TRAVERSE 3200 SUPERIEUR	CROSSBAR 3200 UPPER	QUERTRÄGER 3200 OBEN	TRAVERSA 3200 SUPERIORE
050	051		TRAVERSE 4100L SUPERIEUR	CROSSBAR 4100L UPPER	QUERTRÄGER 4100L OBEN	TRAVERSA 4100L SUPERIORE
500	053		COFFRE METRIS	STORAGE COMPARTMENT METRIS	STAUFACH METRIS	SERBATOIO METRIS
050	055		GARDE BOUE 480	MUDGUARD 480	KOTFLÜGEL 480	PARAFANGO 480
050	057		SUPPORT GARDE BOUE	SUPPORT MUDGUARD	HALTERUNG KOTFLÜGEL	SUPPORTO PARAFANGO
050	059		GARDE BOUE 380 METRIS	MUDGUARD 380 METRIS	KOTFLÜGEL 380 METRIS	PARAFANGO 380 METRIS
050	061		SUPPORT GARDE BOUE	SUPPORT MUDGUARD	HALTERUNG KOTFLÜGEL	SUPPORTO PARAFANGO
050	063		SUPPORT TRAVERSE	SUPPORT CROSSBAR	HALTERUNG QUERTRÄGER	SUPPORTO TRAVERSA
050	065		TIRANT AVEC ROTULE	TIE ROD AVEC BALL PIVOT	ZUGSTANGE AVEC KUGELGELENK	TIRANTE AVEC SNODO
050	067		TRAVERSE RHPA TR4 RBA METRIS	CROSSBAR RHPA TR4 RBA METRIS	QUERTRÄGER RHPA TR4 RBA METRIS	TRAVERSA RHPA TR4 RBA METRIS
050	069		BUTEE RAMPE	STOP BOOM	ANSCHLAG SPRITZGESTÄNGE	LIMITATORE BARRA IRRORANTE
050	071		PLATEAU RHPA TR4 RHA3	FLANGE RHPA TR4 RHA3	FLANSCH RHPA TR4 RHA3	FLANGIA RHPA TR4 RHA3
050	073		SUPPORT TRAVERSE	SUPPORT CROSSBAR	HALTERUNG QUERTRÄGER	SUPPORTO TRAVERSA
050	075		TRAVERSE RHA3 BRAS COMPLET	CROSSBAR RHA3 BRAS COMPLET	QUERTRÄGER RHA3 BRAS COMPLET	TRAVERSA RHA3 BRAS COMPLET
050	077		PARALLELOGRAMME X TR4 RBA	PARALLELOGRAM X TR4 RBA	PARALLELOGRAMM X TR4 RBA	PARALLELOGRAMMA X TR4 RBA
050	079		PARALLELOGRAMME H RBA TR4	PARALLELOGRAM H RBA TR4	PARALLELOGRAMM H RBA TR4	PARALLELOGRAMMA H RBA TR4
050	081		CADRE RBA TR4 OC ACIER	FRAME RBA TR4 OC STEEL	RAHMEN RBA TR4 OC STAHL	STRUTTURA RBA TR4 OC ACCIAIO



TABLE DES MATIERES - TABLE OF CONTENTS - INHALTSVERZEICHNIS - INDICE

Catalogue P.D.R. - Spare parts list - Ersatzteilliste - Pezzi di Ricambio :

GR078ATL E

Grp	Page	Opt	Groupe de pièces	Parts group index	Teilegruppe	Gruppo di parti
050	083		PARALLELOGRAMME X RHA3	PARALLELOGRAM X RHA3	PARALLELOGRAMM X RHA3	PARALLELOGRAMMA X RHA3
050	085		CHASSIS H-MATIC	FRAME H-MATIC	RAHMEN H-MATIC	TELAIO H-MATIC
320	087		FREINS SECURITE	BRAKES SAFETY	BREMSEN SICHERHEIT	FRENI SICUREZZA
320	089		FREINS SECURITE	BRAKES SAFETY	BREMSEN SICHERHEIT	FRENI SICUREZZA
320	091		FREINS METRIS	BRAKES METRIS	BREMSEN METRIS	FRENI METRIS
320	093		FREIN A MAIN METRIS	HAND BRAKE METRIS	HANDBREMSE METRIS	FRENO A MANO METRIS
320	095		FREINAGE PNEUMATIQUE 1 CIRCUIT	PNEUMATIC BRAKE 1 CIRCUIT	DRUCKLUFT-BREMSANLAGE 1 UMLAUF	FRENO PNEUMATICO 1 CIRCUITO
320	097		FREINAGE PNEUMATIQUE 2 CIRCUIT	PNEUMATIC BRAKE 2 CIRCUIT	DRUCKLUFT-BREMSANLAGE 2 UMLAUF	FRENO PNEUMATICO 2 CIRCUITO
500	099		RESERVOIR 40L	TANK 40L	TANK 40L	SERBATOIO 40L
320	101		FREINAGE HYDRAULIQUE	HYDRAULIC BRAKE	HYDRAULISCHE BREMSANLAGE	FRENO IDRAULICO
260	103		VERIN FREIN HYDRAULIQUE	CYLINDER HYDRAULIC BRAKES	ZYLINDER HYDRAULISCHE BREMSE	CILINDRO FRENO IDRAULICO
330	105		SUSPENSION ESSIEU	SUSPENSION AXLE	FEDERUNG ACHSE	SOSPENSIONE ASSALE
260	107		DIRECTION HYDRAULIQUE	STEERING HYDRAULIC	LENKUNG HYDRAULIK	STERZO IDRAULICO
330	109		ESSIEU 1008XF 400X80C	AXLE 1008XF 400X80C	ACHSE 1008XF 400X80C	ASSALE 1008XF 400X80C
330	111		ESSIEU 400X80C EDR ELECTRIQUE	AXLE 400X80C EDR ELECTRIC	ACHSE 400X80C EDR ELEKTRISCHE	ASSALE 400X80C EDR ELETTRICO
330	113		ESSIEU 1008XF 400X80C (DROITE)	AXLE 1008XF 400X80C (RIGHT)	ACHSE 1008XF 400X80C (RECHTS)	ASSALE 1008XF 400X80C (DX)
330	115		ESSIEU 1008XF 400X80C (GAUCHE)	AXLE 1008XF 400X80C (LEFT)	ACHSE 1008XF 400X80C (LINKS)	ASSALE 1008XF 400X80C (SX)
330	117		ESSIEU 1/2 400X80D GAUCHE	AXLE 1/2 400X80D LEFT	ACHSE 1/2 400X80D LINKS	ASSALE 1/2 400X80D SX
330	119		ESSIEU 1/2 400X80D DROIT	AXLE 1/2 400X80D RIGHT	ACHSE 1/2 400X80D RECHTS	ASSALE 1/2 400X80D DESTRO
330	121		ESSIEU 400X80C EDR	AXLE 400X80C EDR	ACHSE 400X80C EDR	ASSALE 400X80C EDR
330	123		ESSIEU 400X80C EDR (ELECTRIQUE)	AXLE 400X80C EDR (ELECTRIC)	ACHSE 400X80C EDR (ELEKTRISCHE)	ASSALE 400X80C EDR (ELETTRICO)
330	125		ESSIEU 1008XF EDR 400X80C (GAU)	AXLE 1008XF EDR 400X80C (LEFT)	ACHSE 1008XF EDR 400X80C (LINK)	ASSALE 1008XF EDR 400X80C (SX)
330	127		ESSIEU 1008XF EDR 400X80C (DRO)	AXLE 1008XF EDR 400X80C (RIGHT)	ACHSE 1008XF EDR 400X80C (RECH)	ASSALE 1008XF EDR 400X80C (DX)
330	129		ESSIEU 406X120 EDR	AXLE 406X120 EDR	ACHSE 406X120 EDR	ASSALE 406X120 EDR
330	131		ESSIEU FIXE 406X120	FIXED AXLE 406X120	STARRE ACHSE 406X120	ASSALE FISSO 406X120
330	133		ESSIEU 1/2 406X120 (DROITE)	AXLE 1/2 406X120 (RIGHT)	ACHSE 1/2 406X120 (RECHTS)	ASSALE 1/2 406X120 (DX)
330	135		ESSIEU 1/2 406X120 (GAUCHE)	AXLE 1/2 406X120 (LEFT)	ACHSE 1/2 406X120 (LINKS)	ASSALE 1/2 406X120 (SX)
050	137		CADRE CENTRAL RHPA TR4 RBA	MAIN FRAME RHPA TR4 RBA	HAUPTRAHMEN RHPA TR4 RBA	TELAIO RHPA TR4 RBA
050	139		CADRE CENTRAL RHPA <= 24M TRAI	MAIN FRAME RHPA <= 24M TRAI	HAUPTRAHMEN RHPA <= 24M TRAI	TELAIO RHPA <= 24M TRAI
050	141		CADRE CENTRAL RHPA > 24M TRAI	MAIN FRAME RHPA > 24M TRAI	HAUPTRAHMEN RHPA > 24M TRAI	TELAIO RHPA > 24M TRAI
050	143		CADRE CENTRAL TR4 24M	MAIN FRAME TR4 24M	HAUPTRAHMEN TR4 24M	TELAIO TR4 24M
050	145		VERROUILLAGE RHPA TR4 RBA DECO	LOCK KIT RHPA TR4 RBA DECOUPL	VERRIEGELUNG RHPA TR4 RBA DECO	BLOCCAGGIO RHPA TR4 RBA DECOUPL
050	147		VERROUILLAGE RHPA TR 4 RBA	LOCK KIT RHPA TR 4 RBA	VERRIEGELUNG RHPA TR 4 RBA	BLOCCAGGIO RHPA TR 4 RBA
030	149		CORRECTEUR DE DEVERS RHPA TR4	SLOPE CORRECTOR RHPA TR4 RBA	HANGAUSGLEICH RHPA TR4 RBA	CORRETTORE DI PENDENZA RHPA TR
260	151		VERIN GV RHPA TR4 RBA	CYLINDER GV RHPA TR4 RBA	ZYLINDER GV RHPA TR4 RBA	CILINDRO GV RHPA TR4 RBA
050	153		PENDULO BIELLETTE RHPA TR4 RBA	PENDULUM LINK ROD RHPA TR4 RBA	PENDELLENKER RHPA TR4 RBA	PENDOLO BIELLETTA RHPA TR4 RBA
050	155		CADRE RHA3	FRAME RHA3	RAHMEN RHA3	STRUTTURA RHA3
050	157		CADRE CENTRAL TR4 RBA TRAI	MAIN FRAME TR4 RBA TRAI	HAUPTRAHMEN TR4 RBA TRAI	TELAIO TR4 RBA TRAI
030	159		CORRECTEUR DE DEVERS RHA RHA3	SLOPE CORRECTOR RHA RHA3	HANGAUSGLEICH RHA RHA3	CORRETTORE DI PENDENZA RHA RHA
260	161		VERROUILLAGE RHA RHA3	LOCK KIT RHA RHA3	VERRIEGELUNG RHA RHA3	BLOCCAGGIO RHA RHA3



TABLE DES MATIERES - TABLE OF CONTENTS - INHALTSVERZEICHNIS - INDICE

Catalogue P.D.R. - Spare parts list - Ersatzteilliste - Pezzi di Ricambio :

GR078ATL E

Grp	Page	Opt	Groupe de pièces	Parts group index	Teilegruppe	Gruppo di parti
260	163		VERIN GV RHA3	CYLINDER GV RHA3	ZYLINDER GV RHA3	CILINDRO GV RHA3
050	165		PENDULO BIELLETTE RHA RHA3	PENDULUM LINK ROD RHA RHA3	PENDELLENKER RHA RHA3	PENDOLO BIELLETTA RHA RHA3
270	167		ECLAIRAGE TRAINE	LIGHTING TRAINE	BELEUCHTUNG TRAINE	ILLUMINAZIONE TRAINE
450	169		SIGNALISATION	SIGNALLING	BELEUCHTUNG U.WARNTAFELN	SEGNALAZIONE
470	171		GYROPHARE	FLASHING LIGHT	RUNDUMLEUCHTE	GIROFARO
110	173		POMPE PM 500 METRIS	PUMP PM 500 METRIS	PUMPE PM 500 METRIS	POMPA PM 500 METRIS
110	175		POMPE PM 500 METRIS + FILTRES	PUMP PM 500 METRIS + FILTER	PUMPE PM 500 METRIS + FILTER	POMPA PM 500 METRIS + FILTRO
110	177		PROTECTEURS PM500 ARRIERE	SAFETY GUARDS PM500 REAR	SCHUTZVORRICHTUNGEN PM500 HINT	PARAPETTI PM500 POSTERIORE
110	179		POMPE BP600 1"3/8 1"3/8	PUMP BP600 1"3/8 1"3/8	PUMPE BP600 1"3/8 1"3/8	POMPA BP600 1"3/8 1"3/8
110	181		POMPE BP600 1"3/8 1"3/8	PUMP BP600 1"3/8 1"3/8	PUMPE BP600 1"3/8 1"3/8	POMPA BP600 1"3/8 1"3/8
110	183		POMPE PM 265	PUMP PM 265	PUMPE PM 265	POMPA PM 265
110	185		POMPE PM 320 METRIS + FILTRES	PUMP PM 320 METRIS + FILTER	PUMPE PM 320 METRIS + FILTER	POMPA PM 320 METRIS + FILTRO
110	187		POMPE PM 320 METRIS	PUMP PM 320 METRIS	PUMPE PM 320 METRIS	POMPA PM 320 METRIS
110	189		POMPE PM320	PUMP PM320	PUMPE PM320	POMPA PM320
110	191		PROTECTEUR PM320 POMPE	SAFETY GUARDS PM320 PUMP	SCHUTZVORRICHTUNG PM320 PUMPE	PARAPETTI PM320 POMPA
110	193		POMPE PM 165	PUMP PM 165	PUMPE PM 165	POMPA PM 165
110	195		POMPE PM 265 METRIS + FILTRE D	PUMP PM 265 METRIS + SUCTION F	PUMPE PM 265 METRIS + SAUGFILT	POMPA PM 265 METRIS + FILTRO D
110	197		POMPE BP 280 METRIS	PUMP BP 280 METRIS	PUMPE BP 280 METRIS	POMPA BP 280 METRIS
110	199		POMPE BP 280 + RACCORD	PUMP BP 280 + COUPLING	PUMPE BP 280 + ANSCHLUSS	POMPA BP 280 + RACCORDO
110	201		POMPE PC 700 METRIS	PUMP PC 700 METRIS	PUMPE PC 700 METRIS	POMPA PC 700 METRIS
110	203		POMPE PC 700L/MIN	PUMP PC 700L/MIN	PUMPE PC 700L/MIN	POMPA PC 700L/MIN
110	205		GYROLAVEUR PM320 ELECTRICITE	GYROCLEANER PM320 ELECTRICITY	ROTATIONS-REINIGUNGSDUESE PM32	UGELLI ROTANTI SERBATOIO PM320
110	207		GYROLAVEUR PC700 ELECTRIQUE	GYROCLEANER PC700 ELECTRIQUE	ROTATIONS-REINIGUNGSDUESE PC70	UGELLI ROTANTI SERBATOIO PC700
110	209		GYROLAVEUR PM265 ELECTRIQUE	GYROCLEANER PM265 ELECTRIQUE	ROTATIONS-REINIGUNGSDUESE PM26	UGELLI ROTANTI SERBATOIO PM265
110	211		GYROLAVEUR PM500 ELECTRIQUE	GYROCLEANER PM500 ELECTRIQUE	ROTATIONS-REINIGUNGSDUESE PM50	UGELLI ROTANTI SERBATOIO PM500
110	213		BLOC VANNES 3V MANU+5V MANU2"PC7	VALVE BLOCK 3V MANU+5V MANU2"PC7	VENTILBLOCK 3V MANU+5V MANU2"PC7	BLOCCO VALVOLE 3V MANU+5V MANU2"
110	215		BLOC VANNES 3VELEC+5V MANU2"PC7	VALVE BLOCK 3VELEC+5V MANU2"PC7	VENTILBLOCK 3VELEC+5V MANU2"PC7	BLOCCO VALVOLE 3VELEC+5V MANU2"
110	217		BLOC VANNES 3V MANU+5V MANU2"PM2	VALVE BLOCK 3V MANU+5V MANU2"PM2	VENTILBLOCK 3V MANU+5V MANU2"PM2	BLOCCO VALVOLE 3V MANU+5V MANU2"
110	219		BLOC VANNES 3V MANU+5V MANU2"PM3	VALVE BLOCK 3V MANU+5V MANU2"PM3	VENTILBLOCK 3V MANU+5V MANU2"PM3	BLOCCO VALVOLE 3V MANU+5V MANU2"
110	221		BLOC VANNES 3VELEC+5V MANU2"PM3	VALVE BLOCK 3VELEC+5V MANU2"PM3	VENTILBLOCK 3VELEC+5V MANU2"PM3	BLOCCO VALVOLE 3VELEC+5V MANU2"
110	223		BLOC VANNES 3V MANU+5V MANU3"PM5	VALVE BLOCK 3V MANU+5V MANU3"PM5	VENTILBLOCK 3V MANU+5V MANU3"PM5	BLOCCO VALVOLE 3V MANU+5V MANU3"
110	225		BLOC VANNES 3V ELE+5V MANU2"PM2	VALVE BLOCK 3V ELE+5V MANU2"PM2	VENTILBLOCK 3V ELE+5V MANU2"PM2	BLOCCO VALVOLE 3V ELE+5V MANU2"
110	227		BLOC VANNES 3VELEC+5V MANU3"PM5	VALVE BLOCK 3VELEC+5V MANU3"PM5	VENTILBLOCK 3VELEC+5V MANU3"PM5	BLOCCO VALVOLE 3VELEC+5V MANU3"
110	229		BLOC VANNES 3V ELEC+5V MANU+PM3	VALVE BLOCK 3V ELEC+5V MANU+PM3	VENTILBLOCK 3V ELEC+5V MANU+PM3	BLOCCO VALVOLE 3V ELEC+5V MANU+
110	231		BLOC VANNES 3VELEC+5VELEC2"PC7	VALVE BLOCK 3VELEC+5VELEC2"PC7	VENTILBLOCK 3VELEC+5VELEC2"PC7	BLOCCO VALVOLE 3VELEC+5VELEC2"
260	233		BLOC VANNES 3V ELE+5V ELE3"PM5	VALVE BLOCK 3V ELE+5V ELE3"PM5	VENTILBLOCK 3V ELE+5V ELE3"PM5	BLOCCO VALVOLE 3V ELE+5V ELE3"
110	235		BLOC VANNES 3 VOIES 1" METRIS	VALVE BLOCK 3 VOIES 1" METRIS	VENTILBLOCK 3 VOIES 1" METRIS	BLOCCO VALVOLE 3 VOIES 1" METR
110	237		BLOC VANNES 3V 2"1/2 MANU PC70	VALVE BLOCK 3V 2"1/2 MANU PC70	VENTILBLOCK 3V 2"1/2 MANU PC70	BLOCCO VALVOLE 3V 2"1/2 MANU P
110	239		BLOC VANNES 3V 2"1/2 ELECT 2"	VALVE BLOCK 3V 2"1/2 ELECT 2"	VENTILBLOCK 3V 2"1/2 ELECT 2"	BLOCCO VALVOLE 3V 2"1/2 ELECT
110	241		BLOC VANNES 3V 2"1/2 ELECTRICI	VALVE BLOCK 3V 2"1/2 ELECTRICI	VENTILBLOCK 3V 2"1/2 ELEKTRIZI	BLOCCO VALVOLE 3V 2"1/2 ELETTR



TABLE DES MATIERES - TABLE OF CONTENTS - INHALTSVERZEICHNIS - INDICE

Catalogue P.D.R. - Spare parts list - Ersatzteilliste - Pezzi di Ricambio :

GR078ATL E

Grp	Page	Opt	Groupe de pièces	Parts group index	Teilegruppe	Gruppo di parti
110	243		BLOC VANNES 3V 2" 1/2 ELECT 3"	VALVE BLOCK 3V 2" 1/2 ELECT 3"	VENTILBLOCK 3V 2" 1/2 ELECT 3"	BLOCCO VALVOLE 3V 2" 1/2 ELECT
110	245		BLOC VANNES 3V 2"	VALVE BLOCK 3V 2"	VENTILBLOCK 3V 2"	BLOCCO VALVOLE 3V 2"
110	247		BLOC VANNES 5V 2" ELECTRIQUE	VALVE BLOCK 5V 2" ELECTRIC	VENTILBLOCK 5V 2" ELEKTRISCHE	BLOCCO VALVOLE 5V 2" ELETTRICO
110	249		BLOC VANNES 5V 2"	VALVE BLOCK 5V 2"	VENTILBLOCK 5V 2"	BLOCCO VALVOLE 5V 2"
110	251		BLOC VANNES 3V 2"1/2 MANU 3"	VALVE BLOCK 3V 2"1/2 MANU 3"	VENTILBLOCK 3V 2"1/2 MANU 3"	BLOCCO VALVOLE 3V 2"1/2 MANU 3
110	253		BLOC VANNES 3V ELE+5VMANU2"PM2	VALVE BLOCK 3V ELE+5VMANU2"PM2	VENTILBLOCK 3V ELE+5VMANU2"PM2	BLOCCO VALVOLE 3V ELE+5VMANU2"
110	255		VANNES MANUELLES 3V (VOLANT)	MANUAL VALVES 3V (FLYWHEEL)	HANDBETAETIGTE VENTILE 3V (SCH	VALVOLE MANUALI 3V (##FLYWHEEL
110	257		VANNES MANUELLES SAFI (VOLANT)	MANUAL VALVES SAFI (FLYWHEEL)	HANDBETAETIGTE VENTILE SAFI (S	VALVOLE MANUALI SAFI (##FLYWHE
050	259		CUVE INCORPORATEUR	HOPPER INCORPORATOR	BEHAELTER EINSPUELSCHLEUSE	CUBA INCORPORATORE
050	261		INCORPORATEUR METRIS	INCORPORATOR METRIS	EINSPUELSCHLEUSE METRIS	INCORPORATORE METRIS
050	263		SUPPORT INCORPORATEUR	SUPPORT INCORPORATOR	HALTERUNG EINSPUELSCHLEUSE	SUPPORTO INCORPORATORE
110	265		VANNES MANUELLES INCORPORATEUR	MANUAL VALVES INCORPORATOR	HANDBETAETIGTE VENTILE EINSPU	VALVOLE MANUALI INCORPORATORE
110	267		VANNES MANUELLES INCORPORATEUR	MANUAL VALVES INCORPORATOR	HANDBETAETIGTE VENTILE EINSPU	VALVOLE MANUALI INCORPORATORE
110	269		VANNES MANUELLES	MANUAL VALVES	HANDBETAETIGTE VENTILE	VALVOLE MANUALI
110	271		VANNE DE REGULATION PC METRIS	REGULATION VALVE PC METRIS	REGELVENTIL PC METRIS	VALVOLA DI REGOLAZIONE PC METR
110	273		VANNE DE REFOULEMENT PM 265 ME	DISCHARGE VALVE PM 265 METRIS	AUSLASSVENTIL PM 265 METRIS	VALVOLA DI SCARICO PM 265 METR
110	275		VANNE DE REGULATION PM 500 MET	REGULATION VALVE PM 500 METRIS	REGELVENTIL PM 500 METRIS	VALVOLA DI REGOLAZIONE PM 500
110	277		RETOUR DOUBLE	RETURN DOUBLE	RUECKLAUF DOPPEL	RITORNO DOPPIO
110	279		RETOUR	RETURN	RUECKLAUF	RITORNO
050	281		SUPPORT REMPLISSAGE+RINCAGE	SUPPORT REMPLISSAGE+RINCAGE	HALTERUNG REMPLISSAGE+RINCAGE	SUPPORTO REMPLISSAGE+RINCAGE
050	283		CUVE LAVE MAINS METRIS	HAND WASH TANK METRIS	HANDWASCHBEHÄLTER METRIS	VASCHETTA LAVAGGIO DELLE MANI
110	285		FILTRES T5 PM500/PC700	FILTER T5 PM500/PC700	FILTER T5 PM500/PC700	FILTRO T5 PM500/PC700
110	287		FILTRES T5 PM265/PM320	FILTER T5 PM265/PM320	FILTER T5 PM265/PM320	FILTRO T5 PM265/PM320
110	289		MANOMETRE D22	AIR INFLATION INDICATOR D22	MAONOMETER D22	MANOMETRO D22
070	291		CAPOT VANNE 3V ELEC+5VMANU	HOOD VANNE 3V ELEC+5VMANU	HAUBE VANNE 3V ELEC+5VMANU	COFANO VANNE 3V ELEC+5VMANU
070	293		CAPOT VANNE 3VMANU +5VMANU	HOOD VANNE 3VMANU +5VMANU	HAUBE VANNE 3VMANU +5VMANU	COFANO VANNE 3VMANU +5VMANU
070	295		CAPOT VANNE 3V ELEC+5VELEC	HOOD VANNE 3V ELEC+5VELEC	HAUBE VANNE 3V ELEC+5VELEC	COFANO VANNE 3V ELEC+5VELEC
270	297		ECLAIRAGE (ELECTRIQUE)	LIGHTING (ELECTRIC)	BELEUCHTUNG (ELEKTRISCHE ANLAG	ILLUMINAZIONE (ELETTRICO)
270	299		VANNE D'ASPIRATION 2"1/2 (ELEC	SUCTION VALVE 2"1/2 (ELECTRIC)	SAUGVENTIL 2"1/2 (ELEKTRISCHE	VALVOLA DI ASPIRAZIONE 2"1/2 (
110	301		FILTRE D'ASPIRATION 32 MESH T7	SUCTION FILTER 32 MESH T7 - 2"	SAUGFILTER 32 MESH T7 - 2"1/2	FILTRO DI ASPIRAZIONE 32 MESH
110	303		FILTRE D'ASPIRATION 32 MESH T7	SUCTION FILTER 32 MESH T7	SAUGFILTER 32 MESH T7	FILTRO DI ASPIRAZIONE 32 MESH
110	305		FILTRE DE PRESSION	PRESSURE FILTER	DRUCKFILTER	FILTRO DI PRESSIONE
470	307		VANNE DE PRESSION MANUELLE	VALVE OF PRESSURE	MANUELLES DRUCKREGELVENTIL	VALVOLA DI PRESSIONE
470	309		VANNE DE SECTION 0,3S (ELECTRI	SECTION VALVE 0,3S (ELECTRIC)	TEILBREITENVENTIL 0,3S (ELEKTR	VALVOLA DI SEZIONE 0,3S (ELETT
470	311		VANNE DE REGULATION 2"	REGULATION VALVE 2"	REGELVENTIL 2"	VALVOLA DI REGOLAZIONE 2"
470	313		VANNES MANUELLES 1"	MANUAL VALVES 1"	HANDBETAETIGTE VENTILE 1"	VALVOLE MANUALI 1"
470	315		VANNES MANUELLES 2"1/2	MANUAL VALVES 2"1/2	HANDBETAETIGTE VENTILE 2"1/2	VALVOLE MANUALI 2"1/2
050	317		TUYAU DE REMPLISSAGE D55 2" CA	FILLER HOSE D55 2" CAM LOCK	BEFUELLSCHLAUCH D55 2" CAM LOC	TUBO DI RIEMPIMENTO D55 2" CAM
050	319		TUYAU DE REMPLISSAGE D60 3" CA	FILLER HOSE D60 3" CAM LOCK	BEFUELLSCHLAUCH D60 3" CAM LOC	TUBO DI RIEMPIMENTO D60 3" CAM
470	321		TUYAU DE REMPLISSAGE 3" - D60	FILLER HOSE 3" - D60	BEFUELLSCHLAUCH 3" - D60	TUBO DI RIEMPIMENTO 3" - D60



TABLE DES MATIERES - TABLE OF CONTENTS - INHALTSVERZEICHNIS - INDICE

Catalogue P.D.R. - Spare parts list - Ersatzteilliste - Pezzi di Ricambio :

GR078ATL E

Grp	Page	Opt	Groupe de pièces	Parts group index	Teilegruppe	Gruppo di parti
050	323		TUYAU DE REMPLISSAGE D55 2"CAM	FILLER HOSE D55 2"CAM LOCK	BEFUELLSCHLAUCH D55 2"CAM LOCK	TUBO DI RIEMPIMENTO D55 2"CAM
050	325		TUYAU DE REMPLISSAGE D60 3" CA	FILLER HOSE D60 3" CAM LOCK	BEFUELLSCHLAUCH D60 3" CAM LOC	TUBO DI RIEMPIMENTO D60 3" CAM
050	327		CARENAGE	COWLING	VERKLEIDUNGEN	CARENATURA
260	329		COMPRESSEUR PM METRIS	COMPRESSOR PUMP PM METRIS	KOMPRESSOR PM METRIS	COMPRESSORE PM METRIS
500	331		RESERVOIR 10L	TANK 10L	TANK 10L	SERBATOIO 10L
260	333		COMPRESSEUR PC700 METRIS	COMPRESSOR PUMP PC700 METRIS	KOMPRESSOR PC700 METRIS	COMPRESSORE PC700 METRIS
260	335		COMPRESSEUR PM OC 45/56	COMPRESSOR PUMP PM OC 45/56	KOMPRESSOR PM OC 45/56	COMPRESSORE PM OC 45/56
050	337		CARENAGE (AVANT)	COWLING (FRONT)	VERKLEIDUNGEN (VORN)	CARENATURA (ANTERIORE)
050	339		PORTE DROIT	DOOR RIGHT	TÜR RECHTS	PORTA DESTRO
070	341		CAPOT DROIT	HOOD RIGHT	HAUBE RECHTS	COFANO DESTRO
050	343		PORTE GAUCHE	DOOR LEFT	TÜR LINKS	PORTA SX
070	345		CAPOT GAUCHE	HOOD LEFT	HAUBE LINKS	COFANO SX
140	347		CUVE 3200L METRIS	HOPPER 3200L METRIS	BEHAELTER 3200L METRIS	CUBA 3200L METRIS
140	349		CUVE 4100 METRIS	HOPPER 4100 METRIS	BEHAELTER 4100 METRIS	CUBA 4100 METRIS
140	351		CUVE 4100 + DIVERS	HOPPER 4100 + MISCELLANEOUS	BEHAELTER 4100 + VERSCHIEDENES	CUBA 4100 + VARIE
140	353		VANNES VIDANGE	OUTLETS UNLOADING	VENTILE ENTLEERUNG	VALVOLE SVUOTAMENTO
140	355		CUVE 3200L + DIVERS	HOPPER 3200L + MISCELLANEOUS	BEHAELTER 3200L + VERSCHIEDENE	CUBA 3200L + VARIE
110	357		TUBE BRASSAGE	TUBE MIXING	ROHR MISCHER	TUBO RISUCCHIO
110	359		TUBE BRASSAGE	TUBE MIXING	ROHR MISCHER	TUBO RISUCCHIO
110	361		TUBE GYROLAVEUR	TUBE GYROCLEANER	ROHR ROTATIONS-REINIGUNGSDUESE	TUBO UGELLI ROTANTI SERBATOIO
050	363		JAUGE CUVE DE RINÇAGE	GAUGE RINSING TANK	FÜLLSTANDSANZEIGE KLARWASSERBE	DISPOSITIVO DI MISURAZIONE SER
050	365		JAUGE ELECTRIQUE	GAUGE ELECTRIC	FÜLLSTANDSANZEIGE ELEKTRISCHE	DISPOSITIVO DI MISURAZIONE ELE
050	367		JAUGE 3200L ALUMINIUM	GAUGE 3200L ALUMINIUM	FÜLLSTANDSANZEIGE 3200L ALUMIN	DISPOSITIVO DI MISURAZIONE 320
050	369		JAUGE INOX 3200L METRIS	GAUGE INOX 3200L METRIS	FÜLLSTANDSANZEIGE INOX 3200L M	DISPOSITIVO DI MISURAZIONE INO
050	371		JAUGE ALU METRIS 4100L	GAUGE ALU METRIS 4100L	FÜLLSTANDSANZEIGE ALU METRIS 4	DISPOSITIVO DI MISURAZIONE ALU
050	373		JAUGE INOX 4100L METRIS	GAUGE INOX 4100L METRIS	FÜLLSTANDSANZEIGE INOX 4100L M	DISPOSITIVO DI MISURAZIONE INO
140	375		CUVE DE RINÇAGE METRIS	RINSING TANK METRIS	KLARWASSERBEHAELTER METRIS	SERBATOIO DI RISCACQUO METRIS
140	377		CUVE DE RINÇAGE METRIS	RINSING TANK METRIS	KLARWASSERBEHAELTER METRIS	SERBATOIO DI RISCACQUO METRIS
260	379		HYDRAULIQUE ED ALIMENTATION	HYDRAULIC ED FEED	HYDRAULIK ED VERSORGUNG	IDRAULICO ED ALIMENTAZIONE
470	381		BLOC HYDRAULIQUE ED 4	HYDRAULIC BLOCK ED 4	STEUERBLOCK ED 4	BLOCCO IDRAULICO ED 4
260	383		HYDRAULIQUE (ELECTROVANNE)	HYDRAULIC (ELEKTROSWITCH)	HYDRAULIK (ELEKTROWAHLSCHALTUN	IDRAULICO (ELETTRINTERRUTTORE
260	385		HYDRAULIQUE SÉLECTEUR ALIMENTA	HYDRAULIC CONTROL VALVE FEED	HYDRAULIK STANDARDSSTEUERUNG V	VALVOLA DI COMANDO IDRAULICO A
260	387		HYDRAULIQUE RHA3 24/36-34-36	HYDRAULIC RHA3 24/36-34-36	HYDRAULIK RHA3 24/36-34-36	IDRAULICO RHA3 24/36-34-36
260	389		HYDRAULIQUE DECOU RHPA TR4 RBA	HYDRAULIC DECOU RHPA TR4 RBA	HYDRAULIK DECOU RHPA TR4 RBA	IDRAULICO DECOU RHPA TR4 RBA
260	391		HYDRAULIQUE RHPA TR4 RBA CADRE	HYDRAULIC RHPA TR4 RBA MAIN FR	HYDRAULIK RHPA TR4 RBA HAUPTRA	IDRAULICO RHPA TR4 RBA TELAIO
050	393		COUPLEURS HYDRAULIQUES EXTERIE	HYDRAULIC COUPLERS OUTER	HYDRAULIKANSCHLUESSE AUSSEN	CONNETTORI IDRAULICI ESTERNO
050	395		HYDRAULIQUE EXTERIEUR	HYDRAULIC OUTER	HYDRAULIK AUSSEN	IDRAULICO ESTERNO
260	397		COMPRESSEUR PC OC 77	COMPRESSOR PUMP PC OC 77	KOMPRESSOR PC OC 77	COMPRESSORE PC OC 77
260	399		CLAPET ANTI-FOUETTEMMENT	ANTI-WHIPLASH VALVE	VENTIL ANTI-SCHWING-SYSTEM	VALVOLA ANTI-SFERZATA
260	401		COMPRESSEUR PC OC 45/56	COMPRESSOR PUMP PC OC 45/56	KOMPRESSOR PC OC 45/56	COMPRESSORE PC OC 45/56

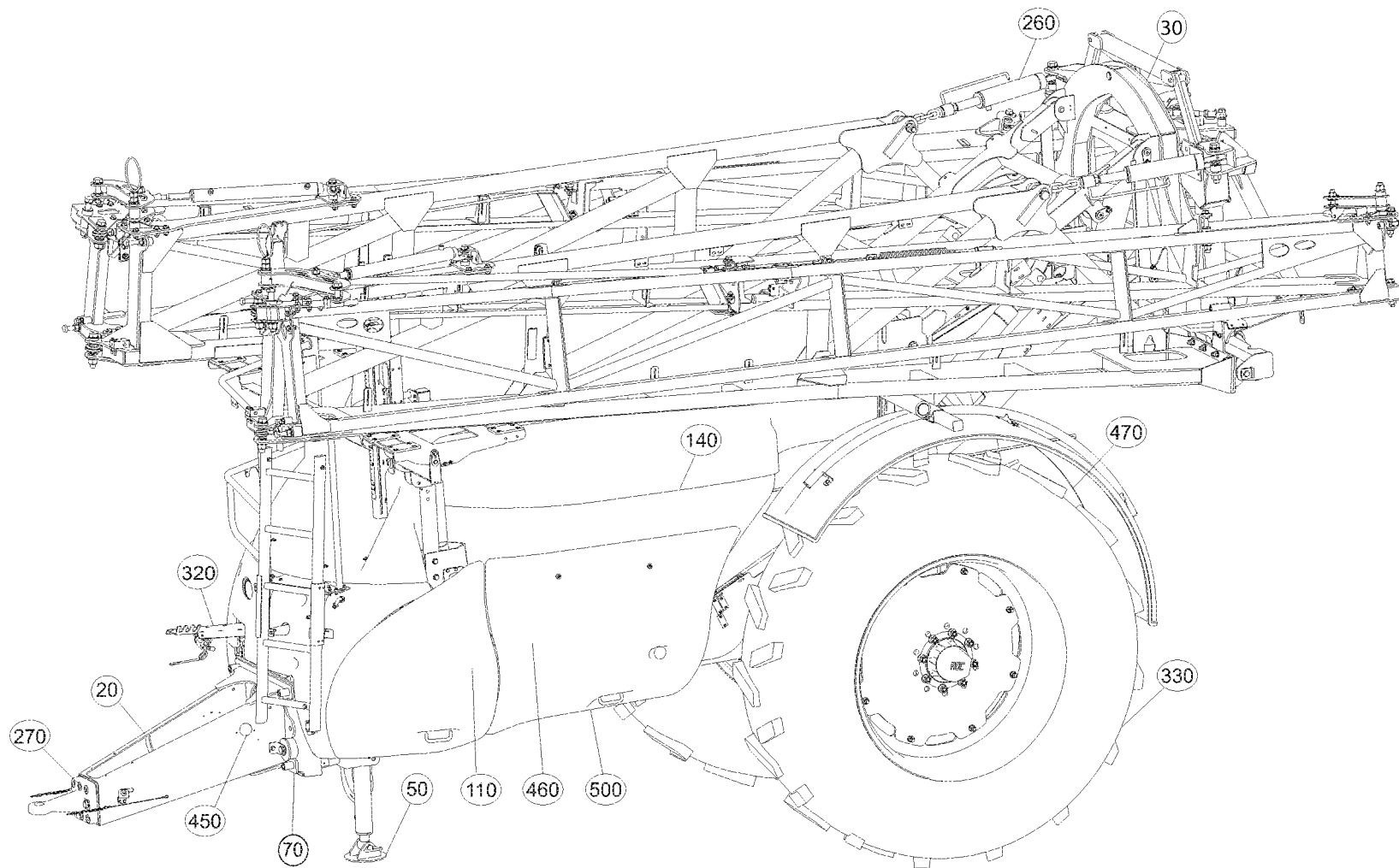


TABLE DES MATIERES - TABLE OF CONTENTS - INHALTSVERZEICHNIS - INDICE

Catalogue P.D.R. - Spare parts list - Ersatzteilliste - Pezzi di Ricambio :

GR078ATL E

Grp	Page	Opt	Groupe de pièces	Parts group index	Teilegruppe	Gruppo di parti
260	403		HYDRAULIQUE RHA3 14/26/36	HYDRAULIC RHA3 14/26/36	HYDRAULIK RHA3 14/26/36	IDRAULICO RHA3 14/26/36
260	405		HYDRAULIQUE RHA CENTRAL COUPLE	HYDRAULIC RHA CENTRAL COUPLE	HYDRAULIK RHA CENTRAL COUPLE	IDRAULICO RHA CENTRAL COUPLE
260	407		ACCUMULATEUR METRIS	ACCUMULATOR METRIS	DRUCKSPEICHER METRIS	ACCUMULATORE METRIS
260	409		HYDRAULIQUE SÉLECTEUR METRIS	HYDRAULIC CONTROL VALVE METRIS	HYDRAULIK STANDARDSSTEUERUNG M	VALVOLA DI COMANDO IDRAULICO M
260	411		HYDRAULIQUE RHA3 24/-32-33-36	HYDRAULIC RHA3 24/-32-33-36	HYDRAULIK RHA3 24/-32-33-36	IDRAULICO RHA3 24/-32-33-36
260	413		HYDRAULIQUE RHA3 24/-32-33-36	HYDRAULIC RHA3 24/-32-33-36	HYDRAULIK RHA3 24/-32-33-36	IDRAULICO RHA3 24/-32-33-36
260	415		HYDRAULIQUE RHA3 24/-32-33-36	HYDRAULIC RHA3 24/-32-33-36	HYDRAULIK RHA3 24/-32-33-36	IDRAULICO RHA3 24/-32-33-36
260	417		HYDRAULIQUE RHA3 24/-32-33-36	HYDRAULIC RHA3 24/-32-33-36	HYDRAULIK RHA3 24/-32-33-36	IDRAULICO RHA3 24/-32-33-36
260	419		HYDRAULIQUE RHA3 24/-32-33-36	HYDRAULIC RHA3 24/-32-33-36	HYDRAULIK RHA3 24/-32-33-36	IDRAULICO RHA3 24/-32-33-36
260	421		HYDRAULIQUE RHA3 24/-32-33-36	HYDRAULIC RHA3 24/-32-33-36	HYDRAULIK RHA3 24/-32-33-36	IDRAULICO RHA3 24/-32-33-36
260	423		HYDRAULIQUE RHA3 24/-32-33-36	HYDRAULIC RHA3 24/-32-33-36	HYDRAULIK RHA3 24/-32-33-36	IDRAULICO RHA3 24/-32-33-36
050	425		HYDRAULIQUE 9/15-16-18 EXTERIE	HYDRAULIC 9/15-16-18 OUTER	HYDRAULIK 9/15-16-18 AUSSEN	IDRAULICO 9/15-16-18 ESTERNO
050	427		HYDRAULIQUE 12/18-20-21-24 EXT	HYDRAULIC 12/18-20-21-24 OUTER	HYDRAULIK 12/18-20-21-24 AUSSE	IDRAULICO 12/18-20-21-24 ESTER
050	429		HYDRAULIQUE 11/18-20-21 EXTERI	HYDRAULIC 11/18-20-21 OUTER	HYDRAULIK 11/18-20-21 AUSSEN	IDRAULICO 11/18-20-21 ESTERNO
050	431		HYDRAULIQUE 14/28 EXTERIEUR	HYDRAULIC 14/28 OUTER	HYDRAULIK 14/28 AUSSEN	IDRAULICO 14/28 ESTERNO
050	433		HYDRAULIQUE 15/28 EXTERIEUR	HYDRAULIC 15/28 OUTER	HYDRAULIK 15/28 AUSSEN	IDRAULICO 15/28 ESTERNO
050	435		HYDRAULIQUE 16/24-28-30 EXTERI	HYDRAULIC 16/24-28-30 OUTER	HYDRAULIK 16/24-28-30 AUSSEN	IDRAULICO 16/24-28-30 ESTERNO
050	437		HYDRAULIQUE 24/36 EXTERIEUR	HYDRAULIC 24/36 OUTER	HYDRAULIK 24/36 AUSSEN	IDRAULICO 24/36 ESTERNO
500	439		ENROULEUR METRIS	HOSE REEL METRIS	SCHLAUCHHASPEL METRIS	AVVOLGITORE METRIS
470	441		LANCE A MAIN "SPOT 300"	SPRAY GUN "SPOT 300"	SPRITZPISTOLE "SPOT 300"	PISTOLA DI IRRORAZIONE "SPOT 3
470	443		CALE DE ROUE METRIS	FIX OF WHEEL METRIS	BREMSKLOTZ METRIS	TENUTA DI RUO METRIS
500	445		ADAPTATION 2"CAMLOCK POMPIER	ADAPTATION 2"CAMLOCK POMPIER	ANBAUSATZ 2"CAMLOCK POMPIER	ADATTAMENTO 2"CAMLOCK POMPIER
450	447		SIGNALISATION	SIGNALLING	BELEUCHTUNG U.WARNTAFELN	SEGNALAZIONE
460	449		COLL.ETIQUETTES ADHESIVES 3200	SET OF STICKERS 3200 SIMPLIFIE	SATZ AUFKLEBER 3200 SIMPLIFIE	SERIE ADESIVI 3200 SIMPLIFIE
460	451		COLL.ETIQUETTES ADHESIVES 4100	SET OF STICKERS 4100 COMPLET	SATZ AUFKLEBER 4100 COMPLET	SERIE ADESIVI 4100 COMPLET
460	453		COLL.ETIQUETTES ADHESIVES 4100	SET OF STICKERS 4100 SIMPLIFIE	SATZ AUFKLEBER 4100 SIMPLIFIE	SERIE ADESIVI 4100 SIMPLIFIE
460	455		COLL.ETIQUETTES ADHESIVES 3200	SET OF STICKERS 3200 COMPLET	SATZ AUFKLEBER 3200 COMPLET	SERIE ADESIVI 3200 COMPLET





METRIS

G40R0159 A

STRUCTURE

STRUCTURE

STRUKTURTEILE

STRUTTURA

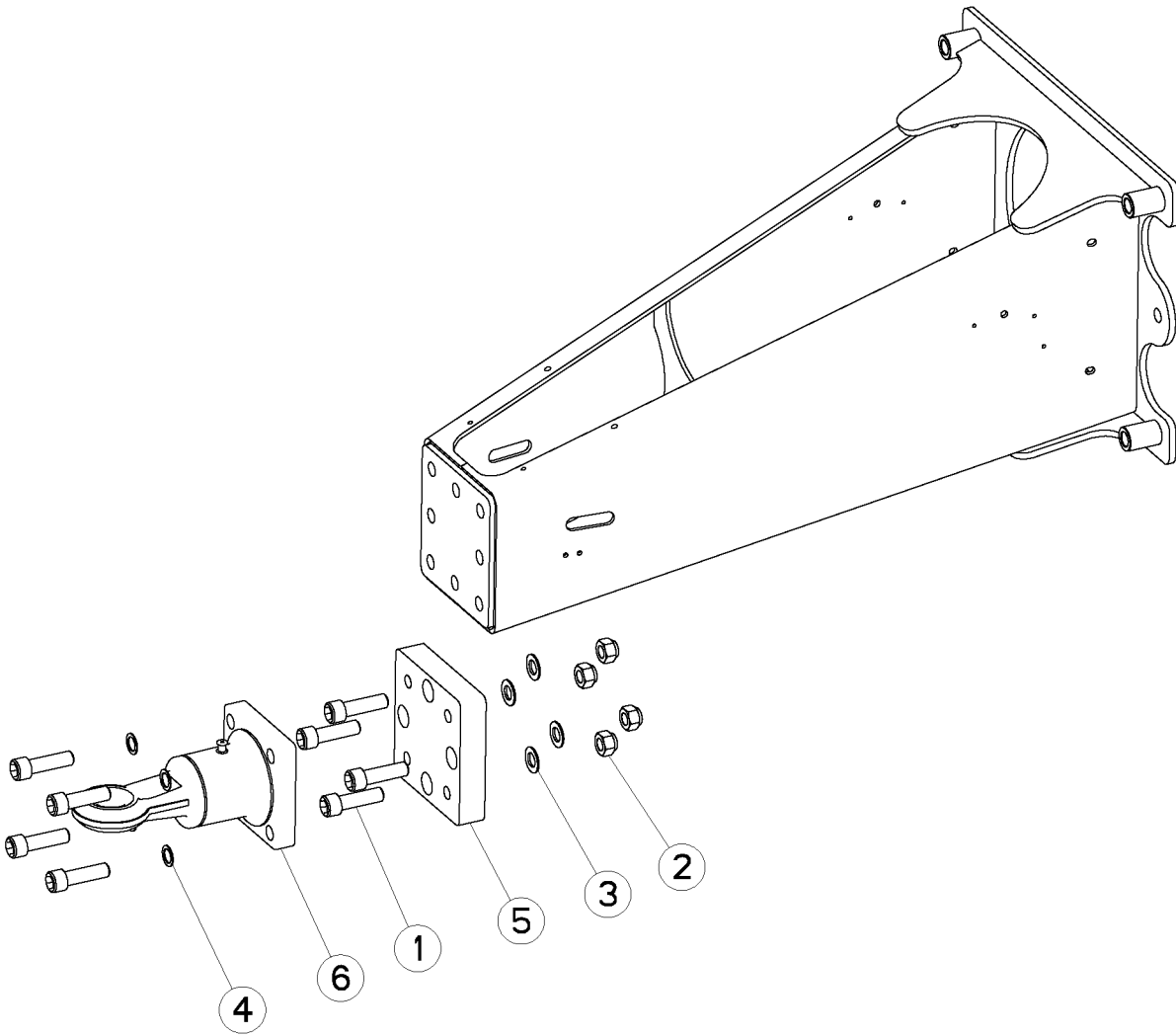
Rep	Nr	Qt	Designation	Description	Bezeichnung	Referenza	Remarque - Remark - Bemerkung - Osservazioni
-----	----	----	-------------	-------------	-------------	-----------	--

**** ***** ** ***** ***** ***** *****

G40R 160
A
METRIS

NNE U D50 ME RIS
RING D50 METR S
##RI G D50 ME RIS
##RI G D50 ME RIS
NON ODIFIEE

001	80062067	008	VIS TETE HEXAGONALE FLZNNC	HEXAGON HEAD SCREW FLZNNC	SECHSKANTSCHRAUBE FLZNNC	VITE TESTA ESAGONALE FLZNNC		
002	80202031	008	ECROU HEXAG.AUTOFREINE INOX	SELF-LOCKING NUT INOX	SELBSTSICHERNDE MUTTER INOX	DADO AUTOBLOCCANTE INOX		
003	80252141	016	RONDELLE PLATE INOX A2	PLAIN WASHER INOX A2	SCHEIBE INOX A2	RONDELLA PIATTALA INOX A2		
004	G0548551	001	ATTELAGE	HITCH	ANBAUBOCK	ATTACCO		
			Ancien anneau D50 utilisable jusqu'à septembre2012					
			Previous hitch ring D50 used until September/2012					
			Alte Zugöse D50/ Bis September 2012					





METRIS

G40R0162 A

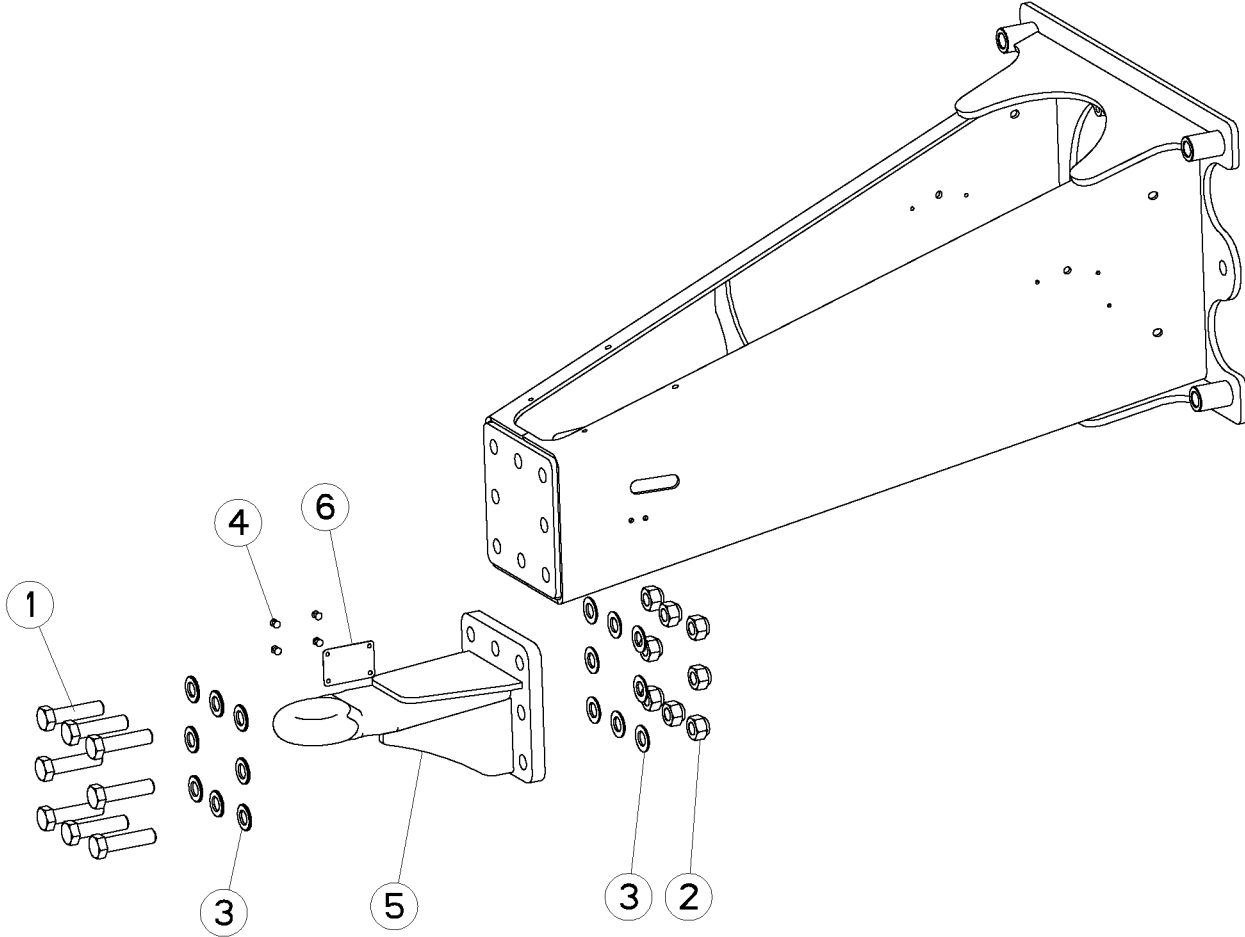
ANNEAU D35

RING D35

##RING D35

##RING D35

Rep	Nr	Qt	Designation	Description	Bezeichnung	Referenza	Remarque - Remark - Bemerkung - Osservazioni
001	80082071	008	VIS TETE CYL.SIX P.CR.FLZNNC	HEX.SOCK.HEAD CAP SCR.FLZNNC	ZYLINDERSCHR.INNENSEC.FLZNNC	VITE A TESTA CILINDR.FLZNNC	
002	80202031	004	ECROU HEXAG.AUTOFREINE INOX	SELF-LOCKING NUT INOX	SELBSTSICHERNDE MUTTER INOX	DADO AUTOBLOCCANTE INOX	
003	80252141	004	RONDELLE PLATE INOX A2	PLAIN WASHER INOX A2	SCHEIBE INOX A2	RONDELLA PIATTALA INOX A2	
004	80282125	004	RONDELLE RESSORT CRANTE FLZNNC	CONICAL SPRING WASHER FLZNNC	SPANNSCHEIBE FLZNNC	RONDELLA A MOLLA FLZNNC	
005	G4103510	001	PLAQUE	PLATE	PLATTE	PIASTRA	
006	G4103720	001	ANNEAU	RING	RING	ANELLO	





METRIS

G40R0324 A

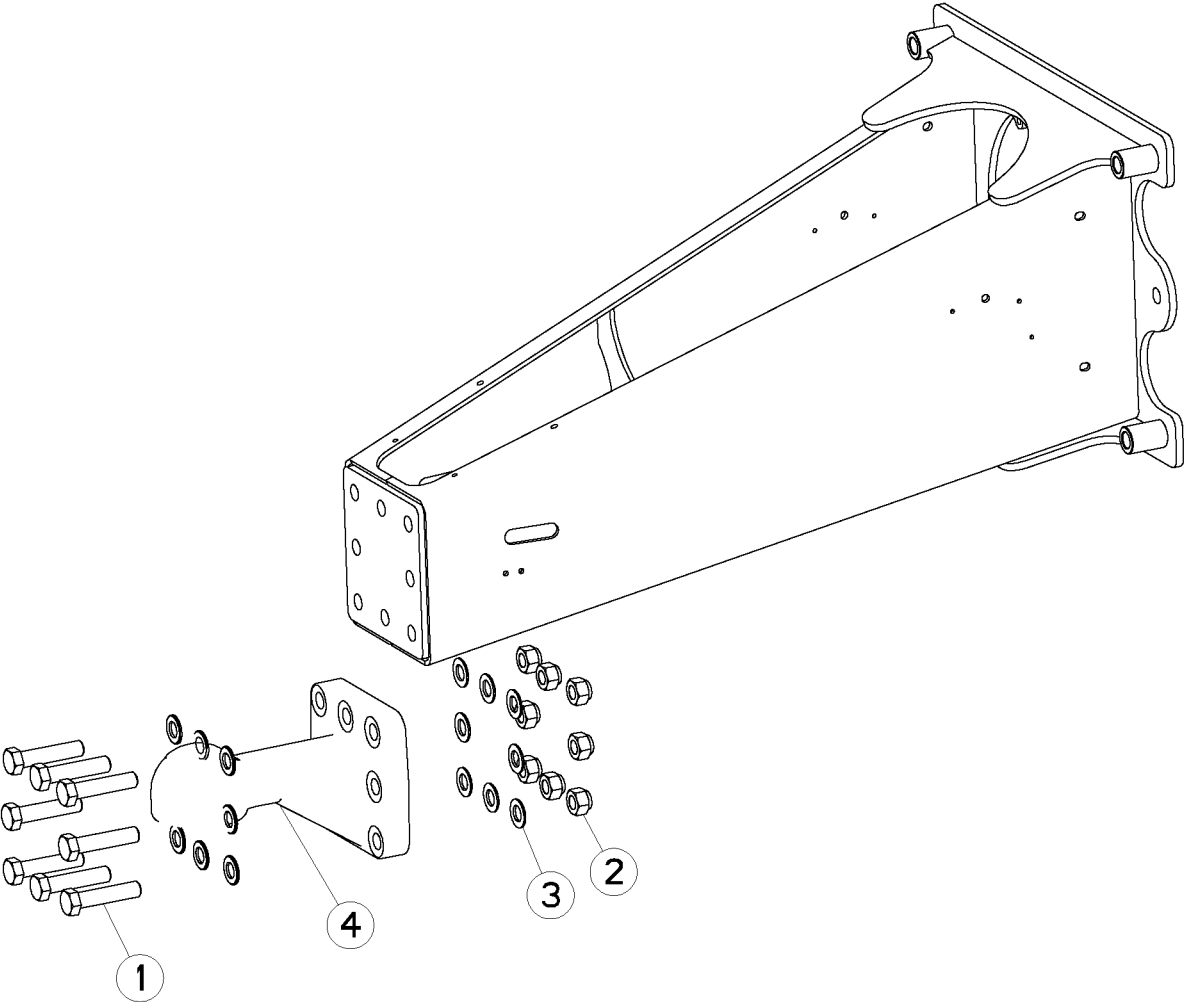
ANNEAU METRIS ISO5692-1

RING METRIS ISO5692-1

##RING METRIS ISO5692-1

##RING METRIS ISO5692-1

Rep	Nr	Qt	Designation	Description	Bezeichnung	Referenza	Remarque - Remark - Bemerkung - Osservazioni
001	80062068	008	VIS TETE HEXAGONALE FLZNNC	HEXAGON HEAD SCREW FLZNNC	SECHSKANTSCHRAUBE FLZNNC	VITE TESTA ESAGONALE FLZNNC	
002	80202031	008	ECROU HEXAG.AUTOFREINE INOX	SELF-LOCKING NUT INOX	SELBSTSICHERNDE MUTTER INOX	DADO AUTOBLOCCANTE INOX	
003	80252141	016	RONDELLE PLATE INOX A2	PLAIN WASHER INOX A2	SCHEIBE INOX A2	RONDELLA PIATTALA INOX A2	
004	80370414	004	RIVET AVEUGLE TL ALU	RIVET	NIETE	RIVETTO	
005	G4003420	001	ANNEAU	RING	RING	ANELLO	
006	G9000930	001	PLAQUE	PLATE	PLATTE	PIASTRA	





METRIS

G40R0325 A

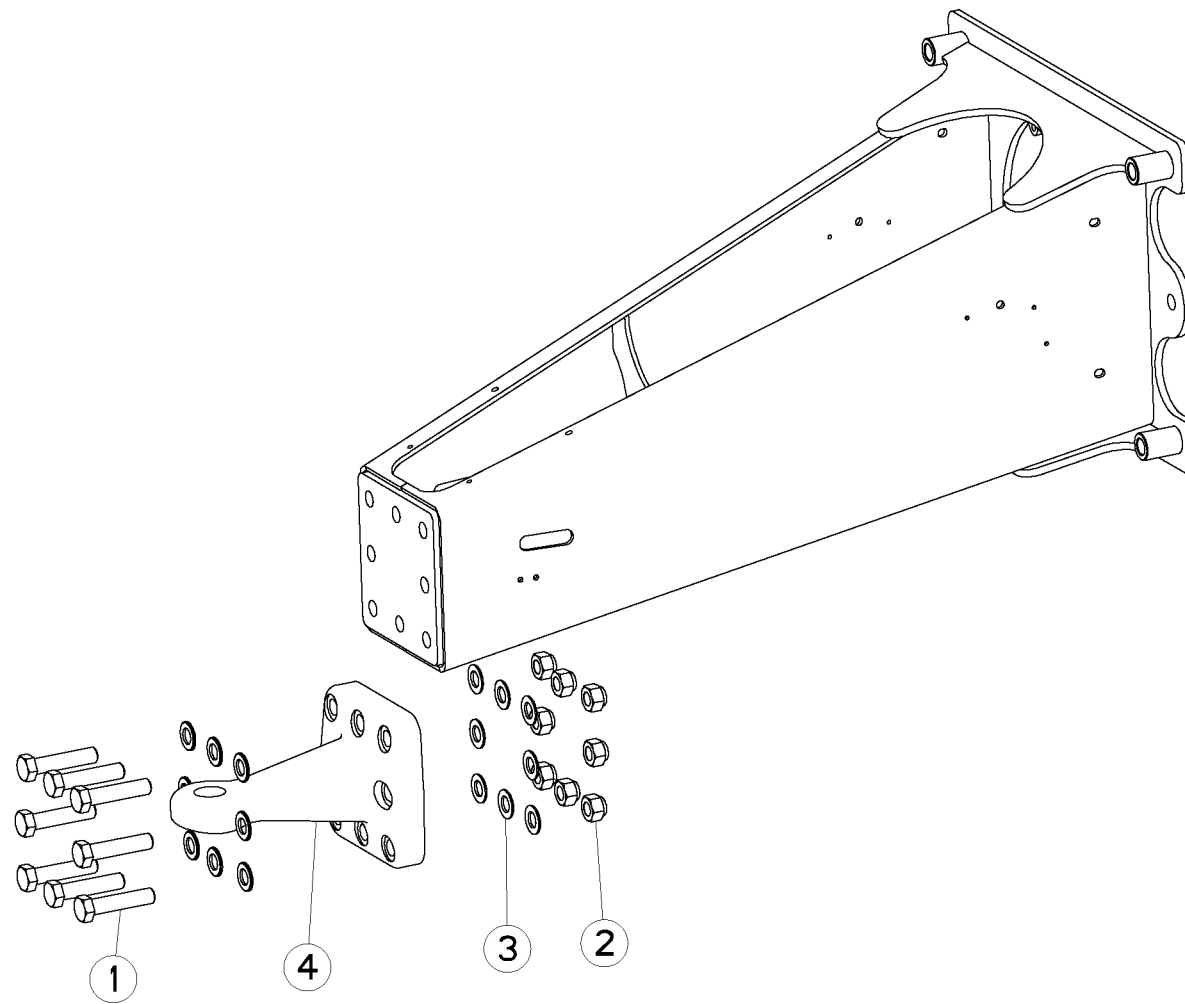
ANNEAU D80 METRIS

RING D80 METRIS

##RING D80 METRIS

##RING D80 METRIS

Rep	Nr	Qt	Designation	Description	Bezeichnung	Referenza	Remarque - Remark - Bemerkung - Osservazioni
001	80062067	008	VIS TETE HEXAGONALE FLZNNC	HEXAGON HEAD SCREW FLZNNC	SECHSKANTSCHRAUBE FLZNNC	VITE TESTA ESAGONALE FLZNNC	
002	80202031	008	ECROU HEXAG.AUTOFREINE INOX	SELF-LOCKING NUT INOX	SELBSTSICHERNDE MUTTER INOX	DADO AUTOBLOCCANTE INOX	
003	80252141	016	RONDELLE PLATE INOX A2	PLAIN WASHER INOX A2	SCHEIBE INOX A2	RONDELLA PIATTALA INOX A2	
004	G0548550	001	ATTELAGE	HITCH	ANBAUBOCK	ATTACCO	





METRIS

G40R0326 A

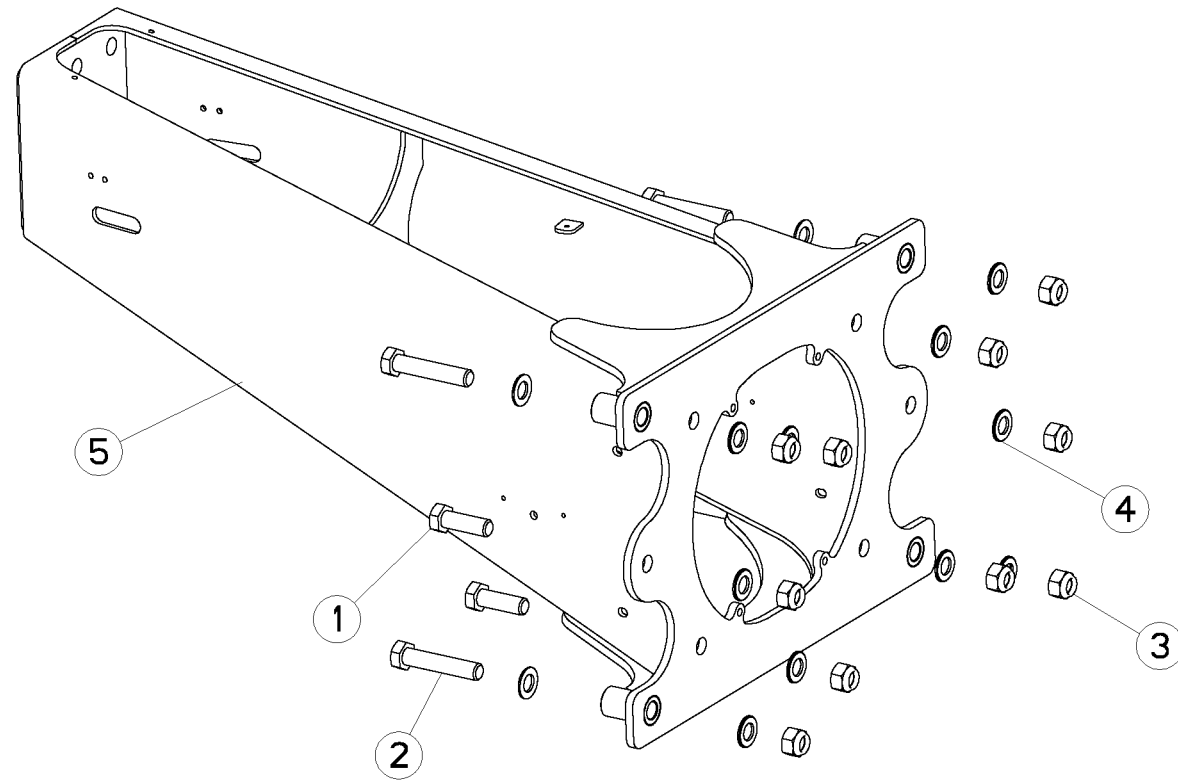
ANNEAU D40 METRIS

RING D40 METRIS

##RING D40 METRIS

##RING D40 METRIS

Rep	Nr	Qt	Designation	Description	Bezeichnung	Referenza	Remarque - Remark - Bemerkung - Osservazioni
001	80062067	008	VIS TETE HEXAGONALE FLZNNC	HEXAGON HEAD SCREW FLZNNC	SECHSKANTSCHRAUBE FLZNNC	VITE TESTA ESAGONALE FLZNNC	
002	80202031	008	ECROU HEXAG.AUTOFREINE INOX	SELF-LOCKING NUT INOX	SELBSTSICHERNDE MUTTER INOX	DADO AUTOBLOCCANTE INOX	
003	80252141	016	RONDELLE PLATE INOX A2	PLAIN WASHER INOX A2	SCHEIBE INOX A2	RONDELLA PIATTALA INOX A2	
004	G0548552	001	ANNEAU D'ATTELAGE	DRAWBAR EGE	ZUGÖSE	ANELLO DI TRAINO	





METRIS

G40R0283 A

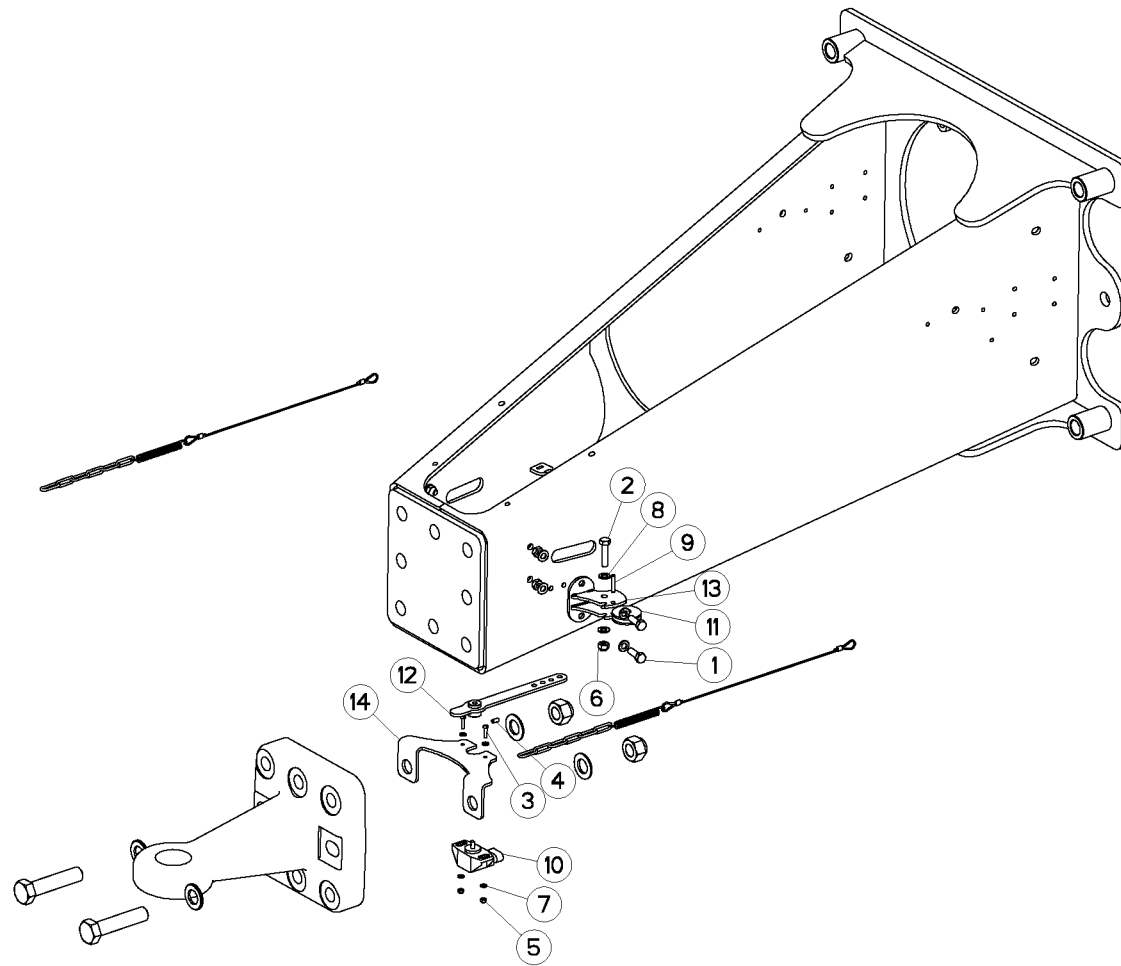
TIMON HAUT METRIS

DRAWBAR HAUT METRIS

DEICHSEL HAUT METRIS

TIMONE HAUT METRIS

Rep	Nr	Qt	Designation	Description	Bezeichnung	Referenza	Remarque - Remark - Bemerkung - Osservazioni
001	80062063	006	VIS TETE HEXAGONALE INOX	HEXAGON HEAD SCREW INOX	SECHSKANTSCHRAUBE INOX	VITE A TESTA ESAGONALE INOX	
002	80062077	004	VIS TETE HEXAGONALE INOX	HEXAGON HEAD SCREW INOX	SECHSKANTSCHRAUBE INOX	VITE A TESTA ESAGONALE INOX	
003	80202031	010	ECROU HEXAG.AUTOFREINE INOX	SELF-LOCKING NUT INOX	SELBSTSICHERNDE MUTTER INOX	DADO AUTOBLOCCANTE INOX	
004	80252141	020	RONDELLE PLATE INOX A2	PLAIN WASHER INOX A2	SCHEIBE INOX A2	RONDELLA PIATTALA INOX A2	
005	G4000650	001	TIMON	TONGUE	ZUGDEICHSEL	TIMONE	





METRIS

G40R0265 B

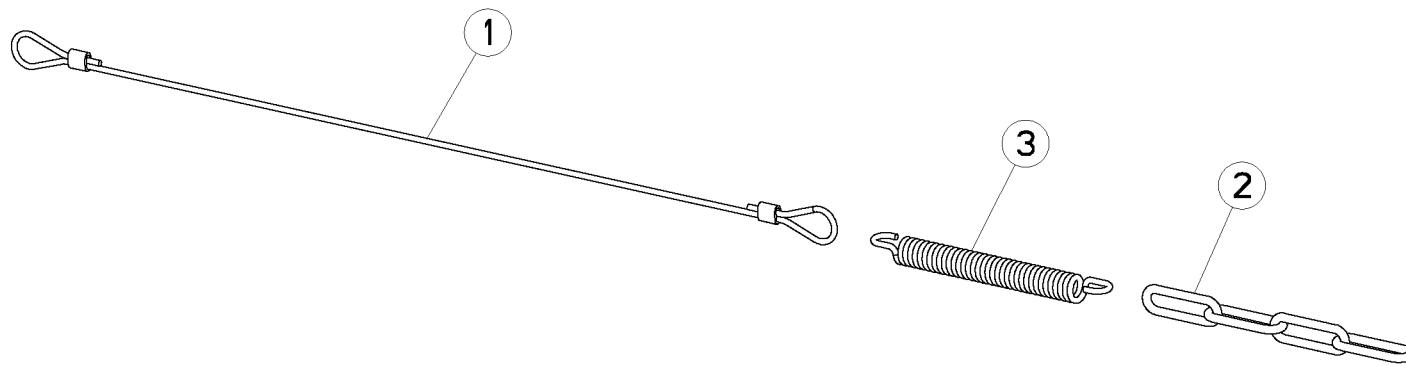
CAPTEUR 0C200 METRIS

SENSOR 0C200 METRIS

SENSOR 0C200 METRIS

SENSORE 0C200 METRIS

Rep	Nr	Qt	Designation	Description	Bezeichnung	Referenza	Remarque - Remark - Bemerkung - Osservazioni
001	80060828	004	VIS TETE HEXAGONALE INOX	HEXAGON HEAD SCREW INOX	SECHSKANTSCHRAUBE INOX	VITE A TESTA ESAGONALE INOX	
002	80060836	002	VIS TETE HEXAGONALE INOX	HEXAGON HEAD SCREW INOX	SECHSKANTSCHRAUBE INOX	VITE A TESTA ESAGONALE INOX	
003	80100417	002	VIS TETE CYL.FENDUE INOX	SLOT,CHEES.HEAD SCREW INOX	ZYLINDERSCHAU.SCHLITZ INOX	VITE TESTA CILINDR.INOX	
004	80150510	001	VIS S/TETE B.CUVET.HC INOX	SOCKET SET SCREW INOX	GEWINDESTIFT RINGSCHNEI.INOX		
005	80200441	002	ECROU HEX.BAS AUTOFR.INOX	SELF-LOCKING NUT INOX	SELBSTSICHERNDE MUTTER INOX	DADO AUTOBLOCCANTE INOX	
006	80200831	006	ECROU HEXAG.AUTOFREINE INOX	SELF-LOCKING NUT INOX	SELBSTSICHERNDE MUTTER INOX	DADO AUTOBLOCCANTE INOX	
007	80250410	004	RONDELLE PLATE INOX A2	PLAIN WASHER INOX A2	SCHEIBE INOX A2	RONDELLA PIATTALA INOX A2	
008	80250800	012	RONDELLE PLATE INOX A2	PLAIN WASHER INOX A2	SCHEIBE INOX A2	RONDELLA PIATTALA INOX A2	
009	80450526	002	GOUPILLE ELASTIQUE INOX	ROLL PIN INOX	SPANNHUELSE INOX	SPINA ELASTICA INOX	
010	G0458365	001	CAPTEUR	SENSOR	SENSOR	SENSORE	
011	G0861061	002	POULIE	PULLEY	RIEMENSCHIEBE	PULEGGIA	
012	G4001720	001	BIELLETTE	LINK	SHUBSTANGE		
013	G4004900	002	SUPPORT	SUPPORT	TRAEGER	SUPPORTO	
014	G4103870	001	SUPPORT	SUPPORT	TRAEGER	SUPPORTO	





METRIS

G40R0355 A

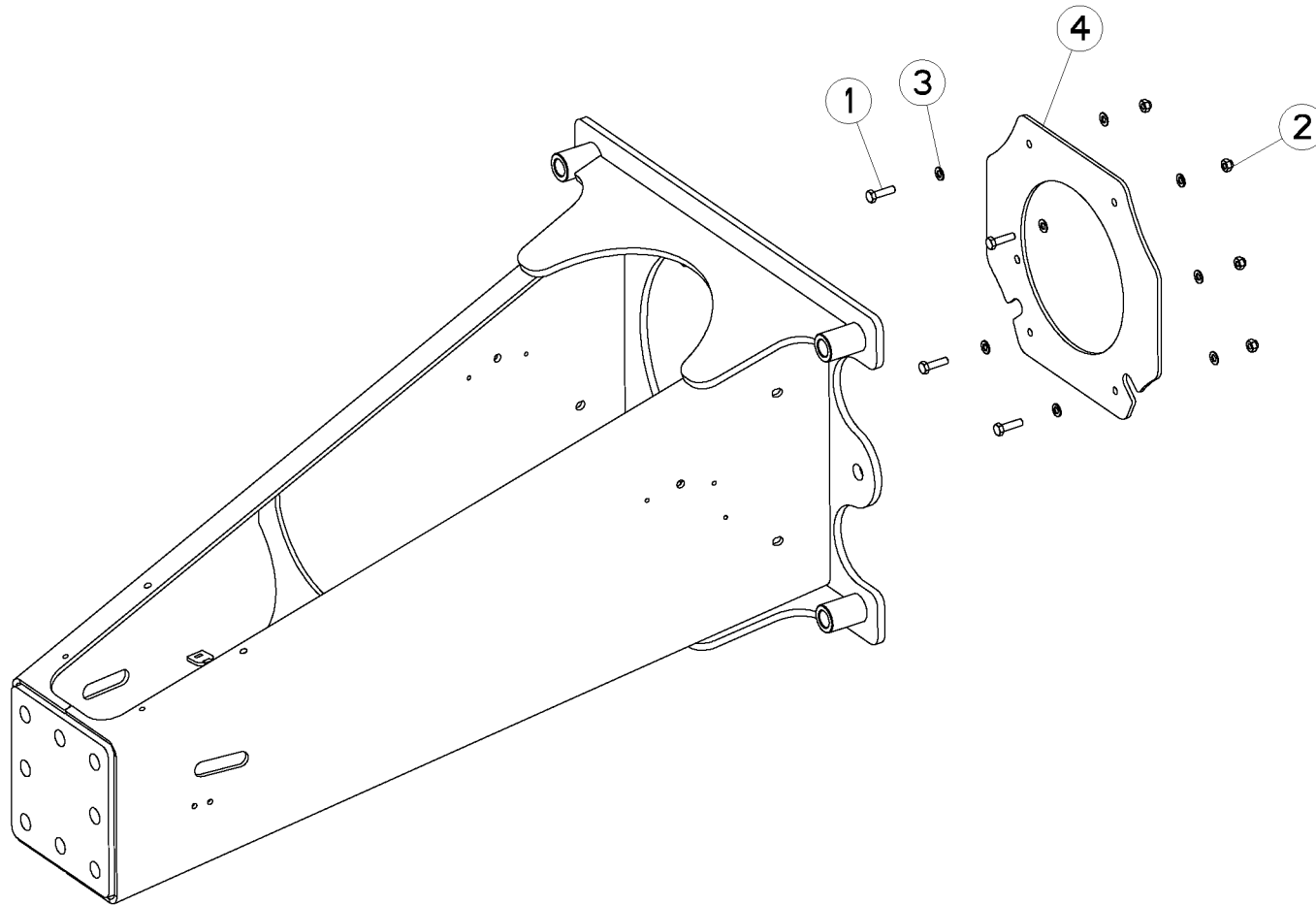
CHAINE OC200 METRIS

CHAIN OC200 METRIS

KETTEN OC200 METRIS

##CHAIN OC200 METRIS

Rep	Nr	Qt	Designation	Description	Bezeichnung	Referenza	Remarque - Remark - Bemerkung - Osservazioni
001	G4001830	001	CORDE	ROPE			
002	G4001820	001	MAILLON	LINK, CHAIN	KETTENGLIED	MAGLIA	
003	G0450090	001	RESSORT	SPRING	FEDER	MOLLA	





METRIS

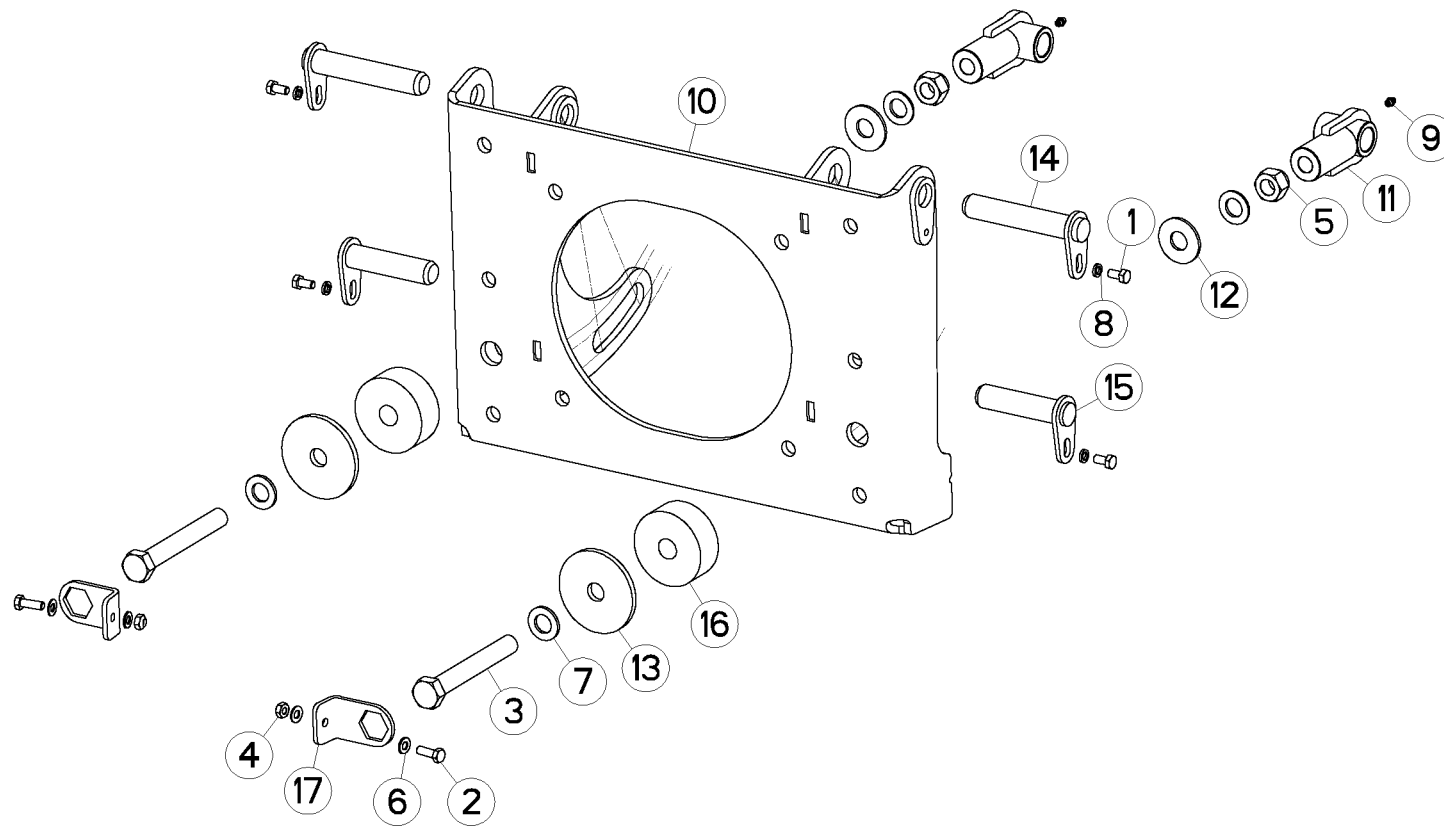
G40R0253 A

PROTECTEUR PC700 CARDAN

SAFETY GUARDS PC700 UNIVERSAL

SCHUTZVORRICHTUNG PC700 KREUZG PARAPETTI PC700 CARDANO

Rep	Nr	Qt	Designation	Description	Bezeichnung	Referenza	Remarque - Remark - Bemerkung - Osservazioni
001	80060832	004	VIS TETE HEXAGONALE INOX	HEXAGON HEAD SCREW INOX	SECHSKANTSCHRAUBE INOX	VITE A TESTA ESAGONALE INOX	
002	80200831	004	ECROU HEXAG.AUTOFREINE INOX	SELF-LOCKING NUT INOX	SELBSTSICHERNDE MUTTER INOX	DADO AUTOBLOCCANTE INOX	
003	80250800	008	RONDELLE PLATE INOX A2	PLAIN WASHER INOX A2	SCHEIBE INOX A2	RONDELLA PIATTALA INOX A2	
004	G4104540	001	PLAQUE	PLATE	PLATTE	PIASTRA	





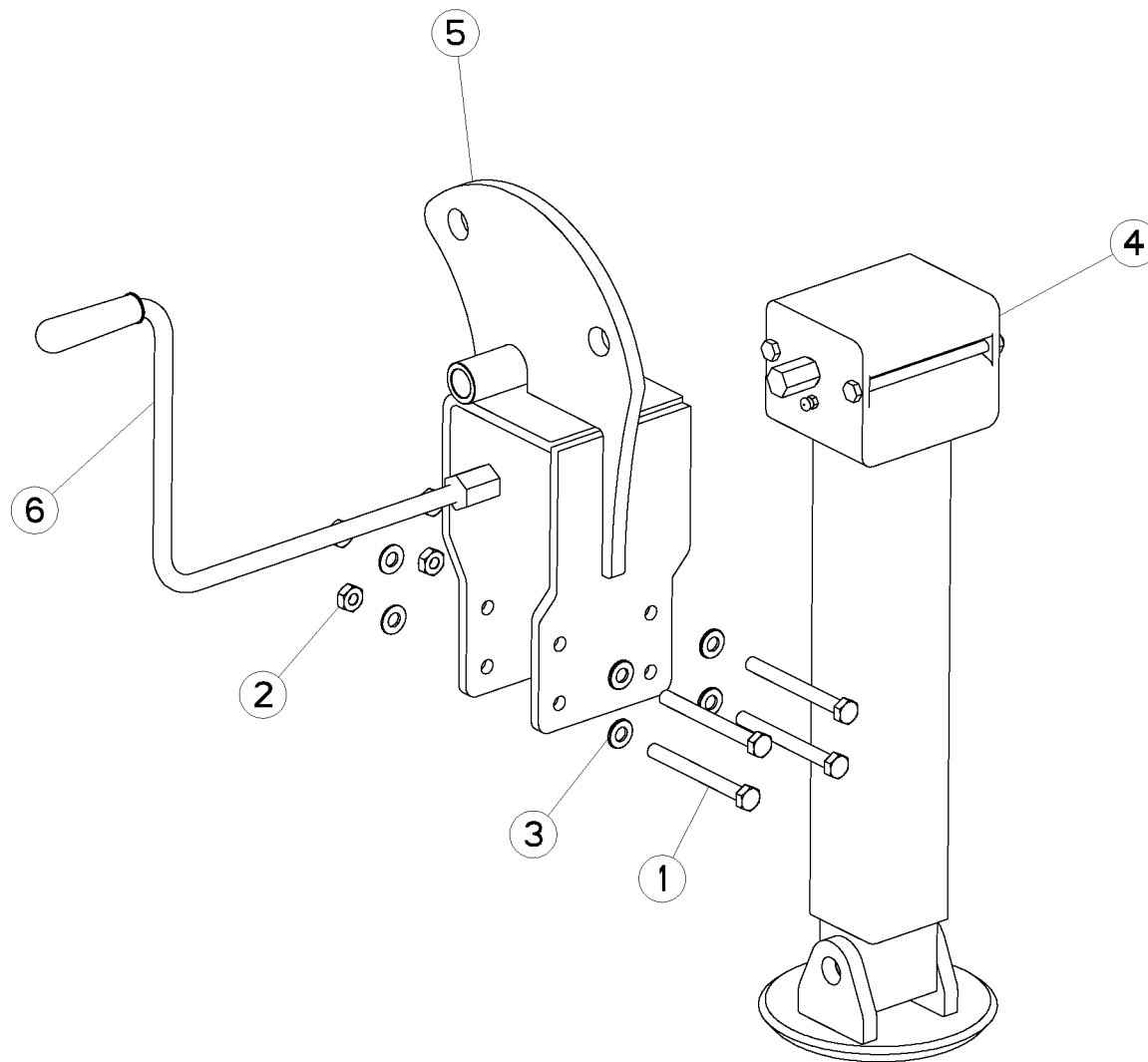
SUSPENSION TIMON

SUSPENSION DRAWBAR

FEDERUNG DEICHSEL

SOSPENSIONE TIMONE

Rep	Nr	Qt	Designation	Description	Bezeichnung	Referenza	Remarque - Remark - Bemerkung - Osservazioni
001	80061021	004	VIS TETE HEXAGONALE INOX	HEXAGON HEAD SCREW INOX	SECHSKANTSCHRAUBE INOX	VITE A TESTA ESAGONALE INOX	
002	80061031	002	VIS TETE HEXAGONALE INOX	HEXAGON HEAD SCREW INOX	SECHSKANTSCHRAUBE INOX	VITE A TESTA ESAGONALE INOX	
003	80062406	002	VIS TETE HEXAGONALE FLZNNC	HEXAGON HEAD SCREW FLZNNC	SECHSKANTSCHRAUBE FLZNNC	VITE TESTA ESAGONALE FLZNNC	
004	80201049	002	ECROU HEX.BAS AUTOFR.INOX	SELF-LOCKING NUT INOX	SELBSTSICHERNDE MUTTER INOX	DADO AUTOBLOCCANTE INOX	
005	80202439	002	ECROU HEXAG.AUTOFREINE INOX	SELF-LOCKING NUT INOX	SELBSTSICHERNDE MUTTER INOX	DADO AUTOBLOCCANTE INOX	
006	80251005	004	RONDELLE PLATE INOX A2	PLAIN WASHER INOX A2	SCHEIBE INOX A2	RONDELLA PIATTALA INOX A2	
007	80252500	002	RONDELLE PLATE INOX A2	PLAIN WASHER INOX A2	SCHEIBE INOX A2	RONDELLA PIATTALA INOX A2	
008	80271083	004	RONDELLE GROWER INOX A2	WASHER, SPRING LOCK INOX A2	FEDERRING INOX A2	RONDELLA GROWER INOX A2	
009	82200800	002	GRAISSEUR FE/ZNXC3	GREASE NIPPLE FE/ZNXC3	SCHMIERNIPPEL FE/ZNXC3	INGRASSATORE FE/ZNXC3	
010	G4000640	001	BERCEAU	CRADLE	HALTERUNG	SUPPORTO	
011	G4000660	002	BIELLETTE	LINK	SHUBSTANGE		
012	G4100410	002	RONDELLE PLATE	WASHER, FLAT	SCHEIBE	RONDELLA PIATTA	
013	G4100420	002	RONDELLE PLATE	WASHER, FLAT	SCHEIBE	RONDELLA PIATTA	
014	G4100460	002	BROCHE	PIN, HITCH	ACHSE	PERNO	
015	G4100470	002	BROCHE	PIN, HITCH	ACHSE	PERNO	
016	G4101070	002	RESSORT	SPRING	FEDER	MOLLA	
017	G4102490	002	ARRET	STOP	ANSCHLAG		





METRIS

G40R0169 A

BEQUILLE DE DEPOSE + SUPPORT

PARKING STAND + SUPPORT

ABSTELLSTUETZE + HALTERUNG

PIEDINO D'APPOGGIO + SUPPORTO

Rep	Nr	Qt	Designation	Description	Bezeichnung	Referenza	Remarque - Remark - Bemerkung - Osservazioni
001	80061097	004	VIS TETE HEXAGONALE INOX	HEXAGON HEAD SCREW INOX	SECHSKANTSCHRAUBE INOX	VITE A TESTA ESAGONALE INOX	
002	80201049	004	ECROU HEX.BAS AUTOFR.INOX	SELF-LOCKING NUT INOX	SELBSTSICHERNDE MUTTER INOX	DADO AUTOBLOCCANTE INOX	
003	80251005	008	RONDELLE PLATE INOX A2	PLAIN WASHER INOX A2	SCHEIBE INOX A2	RONDELLA PIATTALA INOX A2	
004	G4000770	001	BEQUILLE REGLABLE	JACK	STÄNDER	SUPPORTO	
005	G4002780	001	SUPPORT	SUPPORT	TRAEGER	SUPPORTO	
006	G4103540	001	MANIVELLE	CRANK	KURBEL	MANOVELLA	



METRIS

G40R0264 A

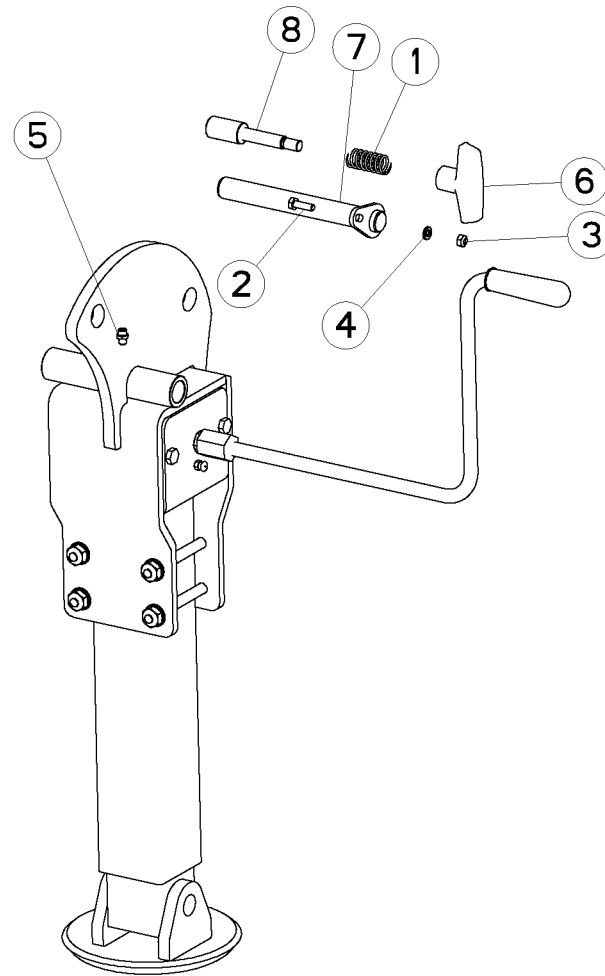
SUPPORT MANIVELLE

SUPPORT MANIVELLE

HALTERUNG MANIVELLE

SUPPORTO MANIVELLE

Rep	Nr	Qt	Designation	Description	Bezeichnung	Referenza	Remarque - Remark - Bemerkung - Osservazioni
001	80080421	002	VIS TETE CYL.SIX P.CRE.INOX	HEX.SOCKET HEAD CAP SCREW INOX	ZYLINDERSCHR.INNENSECHSK.INOX	VITE A TESTA CILINDRICA INOX	
002	80200441	002	ECROU HEX.BAS AUTOFR.INOX	SELF-LOCKING NUT INOX	SELBSTSICHERNDE MUTTER INOX	DADO AUTOBLOCCANTE INOX	
003	80250410	002	RONDELLE PLATE INOX A2	PLAIN WASHER INOX A2	SCHEIBE INOX A2	RONDELLA PIATTALA INOX A2	
004	G0425912	002	COLLIER	CLAMP, HOSE	SCHLAUCHSCHELLE	COLLARE	
005	G4000650	001	TIMON	TONGUE	ZUGDEICHSEL	TIMONE	
006	G4103540	001	MANIVELLE	CRANK	KURBEL	MANOVELLA	





METRIS

G40R0279 A

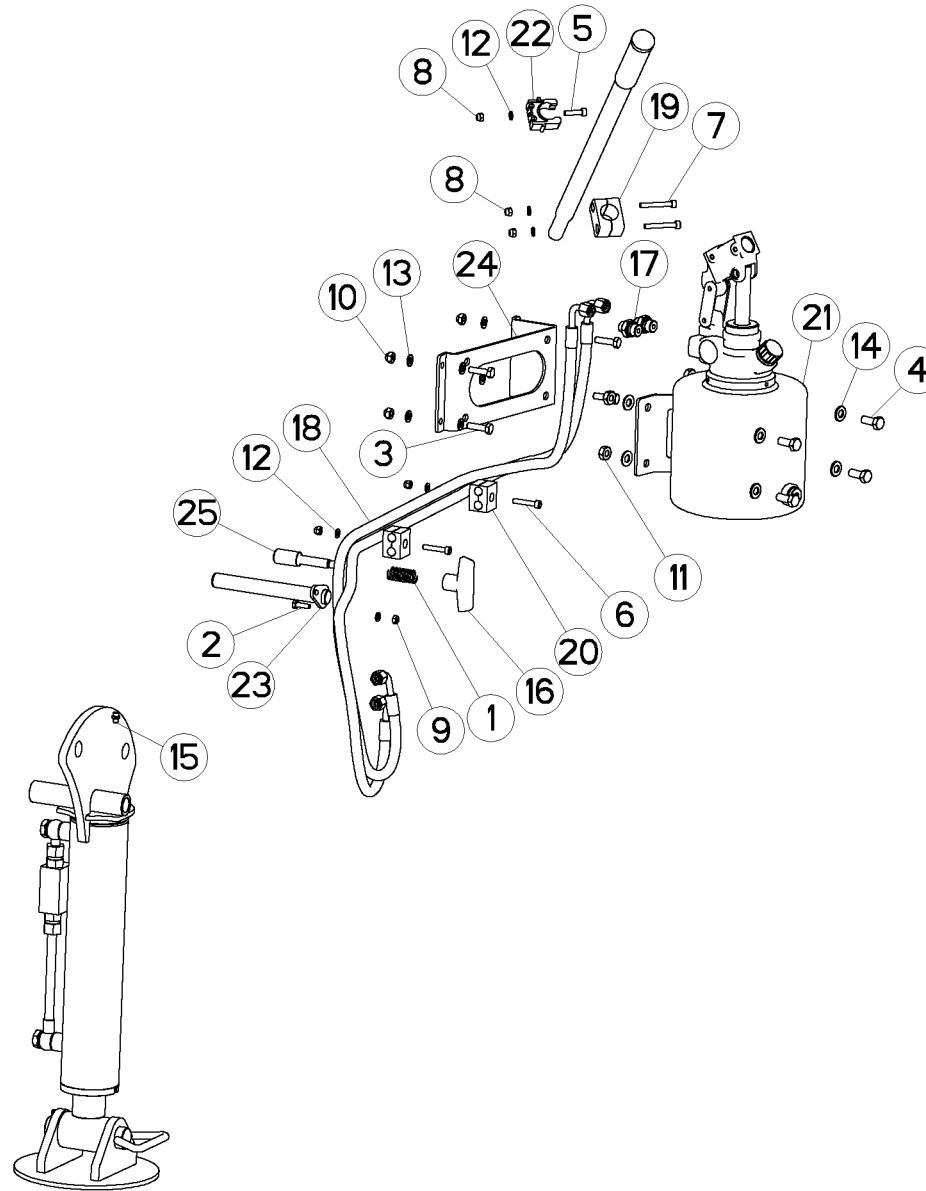
BEQUILLE DE DEPOSE (MECANIQUE)

PARKING STAND (MECHANICAL)

ABSTELLSTUETZE (MECHANIK)

PIEDINO D'APPOGGIO (MECCANICA)

Rep	Nr	Qt	Designation	Description	Bezeichnung	Referenza	Remarque - Remark - Bemerkung - Osservazioni
001	58527300	001	RESSORT	SPRING	FEDER	MOLLA	
002	80060622	001	VIS TETE HEXAGONALE INOX	HEXAGON HEAD SCREW INOX	SECHSKANTSCHRAUBE INOX	VITE A TESTA ESAGONALE INOX	
003	80200631	001	ECROU HEX.BAS AUTOFR.INOX	SELF-LOCKING NUT INOX	SELBSTSICHERNDE MUTTER INOX	DADO AUTOBLOCCANTE INOX	
004	80250601	001	RONDELLE PLATE INOX A2	PLAIN WASHER INOX A2	SCHEIBE INOX A2	RONDELLA PIATTALA INOX A2	
005	82200800	001	GRAISSEUR FE/ZNXC3	GREASE NIPPLE FE/ZNXC3	SCHMIERNIPPEL FE/ZNXC3	INGRASSATORE FE/ZNXC3	
006	83050010	001	POIGNEE	HANDLE	HANDGRIFF	MANIGLIA	
007	G4000830	001	BROCHE	PIN, HITCH	ACHSE	PERNO	
008	G4101460	001	AXE	PIN	ACHSE	ASSE	





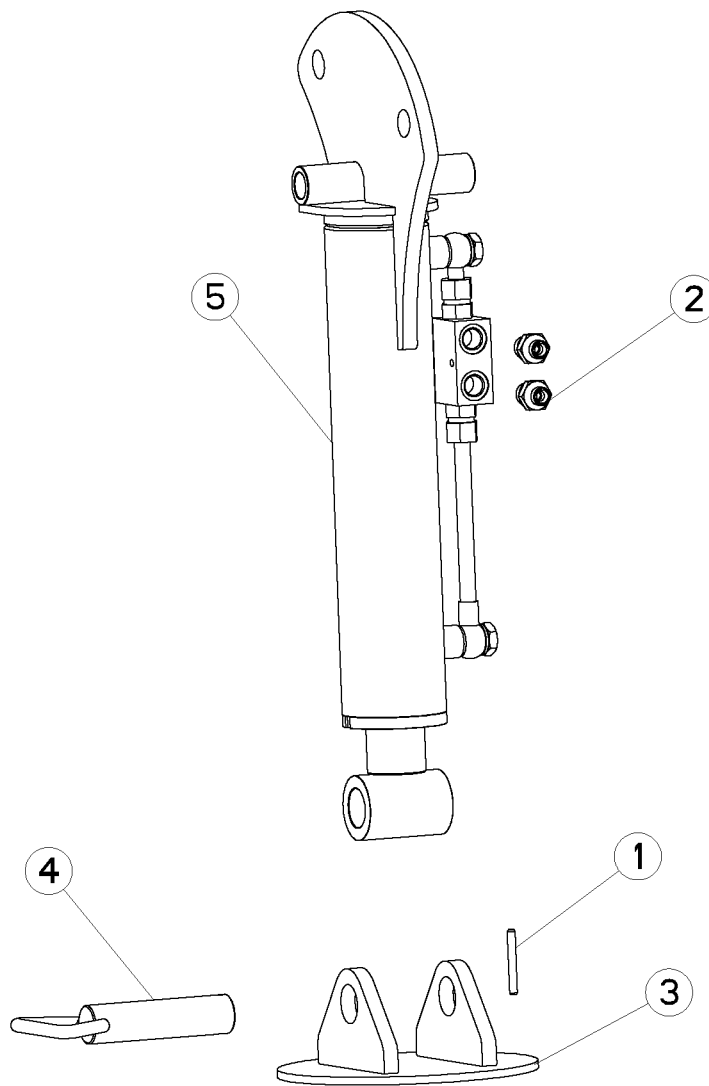
BEQUILLE DE DEPOSE (HYDRAULIQU

PARKING STAND (HYDRAULIC)

ABSTELLSTUETZE (HYDRAULIK)

PIEDINO D'APPOGGIO (IDRAULICO)

Rep	Nr	Qt	Designation	Description	Bezeichnung	Referenza	Remarque - Remark - Bemerkung - Osservazioni
001	58527300	001	RESSORT	SPRING	FEDER	MOLLA	
002	80060622	001	VIS TETE HEXAGONALE INOX	HEXAGON HEAD SCREW INOX	SECHSKANTSCHRAUBE INOX	VITE A TESTA ESAGONALE INOX	
003	80060832	004	VIS TETE HEXAGONALE INOX	HEXAGON HEAD SCREW INOX	SECHSKANTSCHRAUBE INOX	VITE A TESTA ESAGONALE INOX	
004	80061027	004	VIS TETE HEXAGONALE INOX	HEXAGON HEAD SCREW INOX	SECHSKANTSCHRAUBE INOX	VITE A TESTA ESAGONALE INOX	
005	80080627	001	VIS TETE CYL.SIX P.CRE.INOX	HEAD CAP SCREW	ZYL.-SCHR.	VITE	
006	80080635	002	VIS TETE CYL.SIX P.CRE.INOX	HEX.SOCKET HEAD CAP SCREW INOX	ZYLINDERSCHR.INNENSECHSK.INOX	VITE A TESTA CILINDRICA INOX	
007	80080646	002	VIS TETE CYL.SIX P.CRE.INOX	HEX.SOCKET HEAD CAP SCREW INOX	ZYLINDERSCHR.INNENSECHSK.INOX	VITE A TESTA CILINDRICA INOX	
008	80200630	005	ECROU HEX.AUTOFREINE FE/ZNXC3	SELF-LOCKING NUT FE/ZNXC3	SELBSTSICHERNDE MUTT.FE/ZNXC3	DADO AUTOBLOCCANTE FE/ZNXC3	
009	80200631	001	ECROU HEX.BAS AUTOFR.INOX	SELF-LOCKING NUT INOX	SELBSTSICHERNDE MUTTER INOX	DADO AUTOBLOCCANTE INOX	
010	80200831	004	ECROU HEXAG.AUTOFREINE INOX	SELF-LOCKING NUT INOX	SELBSTSICHERNDE MUTTER INOX	DADO AUTOBLOCCANTE INOX	
011	80201049	004	ECROU HEX.BAS AUTOFR.INOX	SELF-LOCKING NUT INOX	SELBSTSICHERNDE MUTTER INOX	DADO AUTOBLOCCANTE INOX	
012	80250601	006	RONDELLE PLATE INOX A2	PLAIN WASHER INOX A2	SCHEIBE INOX A2	RONDELLA PIATTALA INOX A2	
013	80250800	008	RONDELLE PLATE INOX A2	PLAIN WASHER INOX A2	SCHEIBE INOX A2	RONDELLA PIATTALA INOX A2	
014	80251005	008	RONDELLE PLATE INOX A2	PLAIN WASHER INOX A2	SCHEIBE INOX A2	RONDELLA PIATTALA INOX A2	
015	82200800	001	GRAISSEUR FE/ZNXC3	GREASE NIPPLE FE/ZNXC3	SCHMIERNIPPEL FE/ZNXC3	INGRASSATORE FE/ZNXC3	
016	83050010	001	POIGNEE	HANDLE	HANDGRIFF	MANIGLIA	
017	A4080488	002	UNION MALE FE/ZNNI	FITTING, HYDRAULIC, UNION	VERBINDUNG	CONNETTORE	
018	A4920141	002	FLEXIBLE	HOSE, HYDRAULIC	HYDRAULIKSCHLAUCH	TUBO IN GOMMA	<->1370 mm
019	A7260030	001	COLLIER SIMPLE D25 NU	CLAMP D.25	SHELLE D.25	COLLARE D.25	
020	A7260040	002	COLLIER DOUBLE D12 NU	CLAMP D.12	SHELLE D.12	COLLARE D.12	
021	G0418800	001	POMPE	PUMP	PUMPE	POMPA	
022	G0425900	001	COLLIER	CLAMP, HOSE	SCHLAUCHSHELLE	COLLARE	
023	G4000830	001	BROCHE	PIN, HITCH	ACHSE	PERNO	
024	G4001600	001	SUPPORT	SUPPORT	TRAEGER	SUPPORTO	
025	G4101460	001	AXE	PIN	ACHSE	ASSE	





METRIS

G40R0278 A

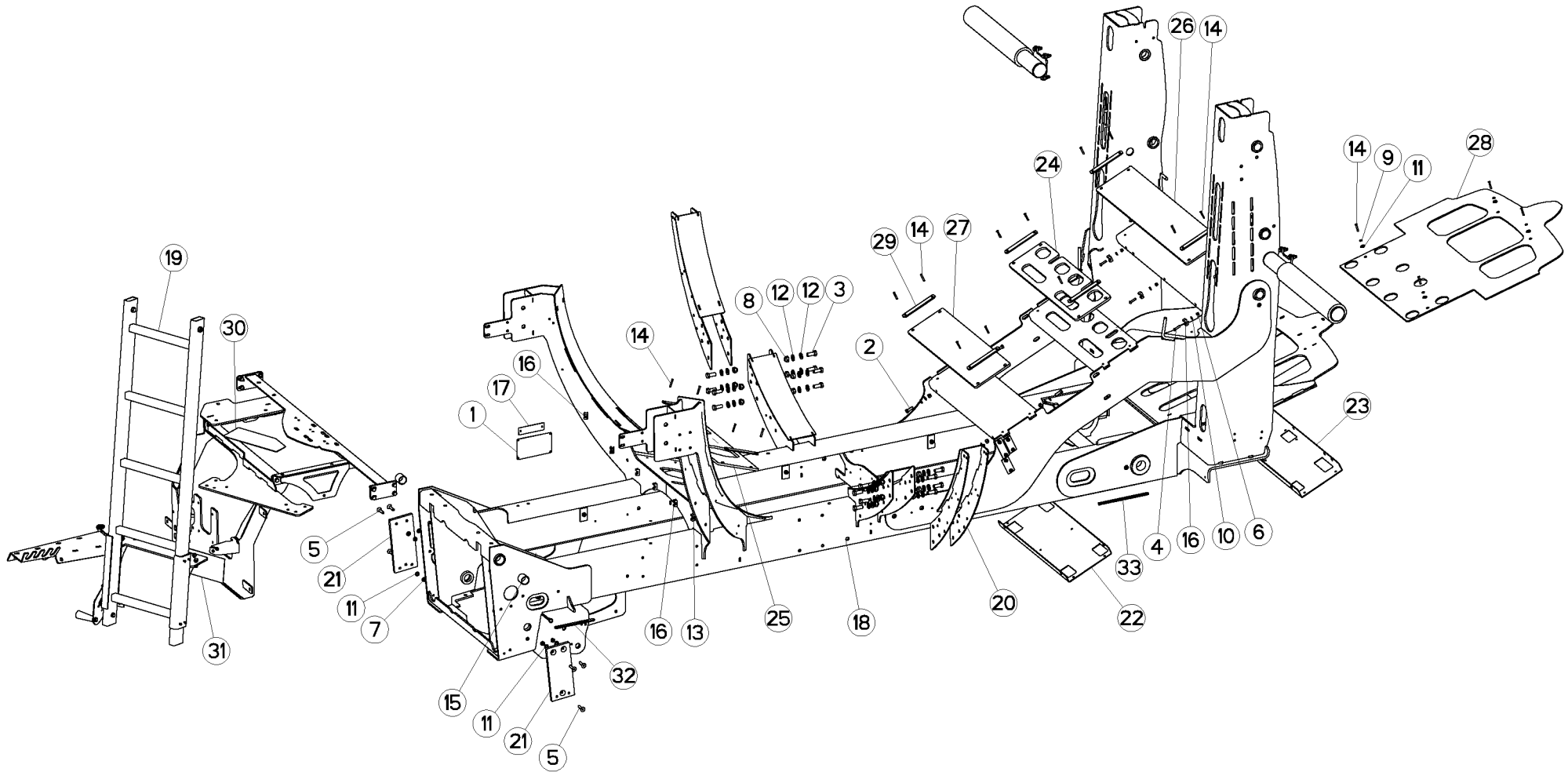
BEQUILLE DE DEPOSE (HYDRAULIQU

PARKING STAND (HYDRAULIC)

ABSTELLSTUETZE (HYDRAULIK)

PIEDINO D'APPOGGIO (IDRAULICO)

Rep	Nr	Qt	Designation	Description	Bezeichnung	Referenza	Remarque - Remark - Bemerkung - Osservazioni
001	80450642	001	GOUPILLE ELASTIQUE INOX	ROLL PIN INOX	SPANNHUELSE INOX	SPINA ELASTICA INOX	
002	A4080488	002	UNION MALE FE/ZNNI	FITTING, HYDRAULIC, UNION	VERBINDUNG	CONNETTORE	
003	G4000800	001	SOCLE	PEDESTAL	SOCKEL		
004	G4000810	001	BROCHE	PIN, HITCH	ACHSE	PERNO	
005	G4002820	001	BEQUILLE	STAND	STAENDER	SUPPORTO	





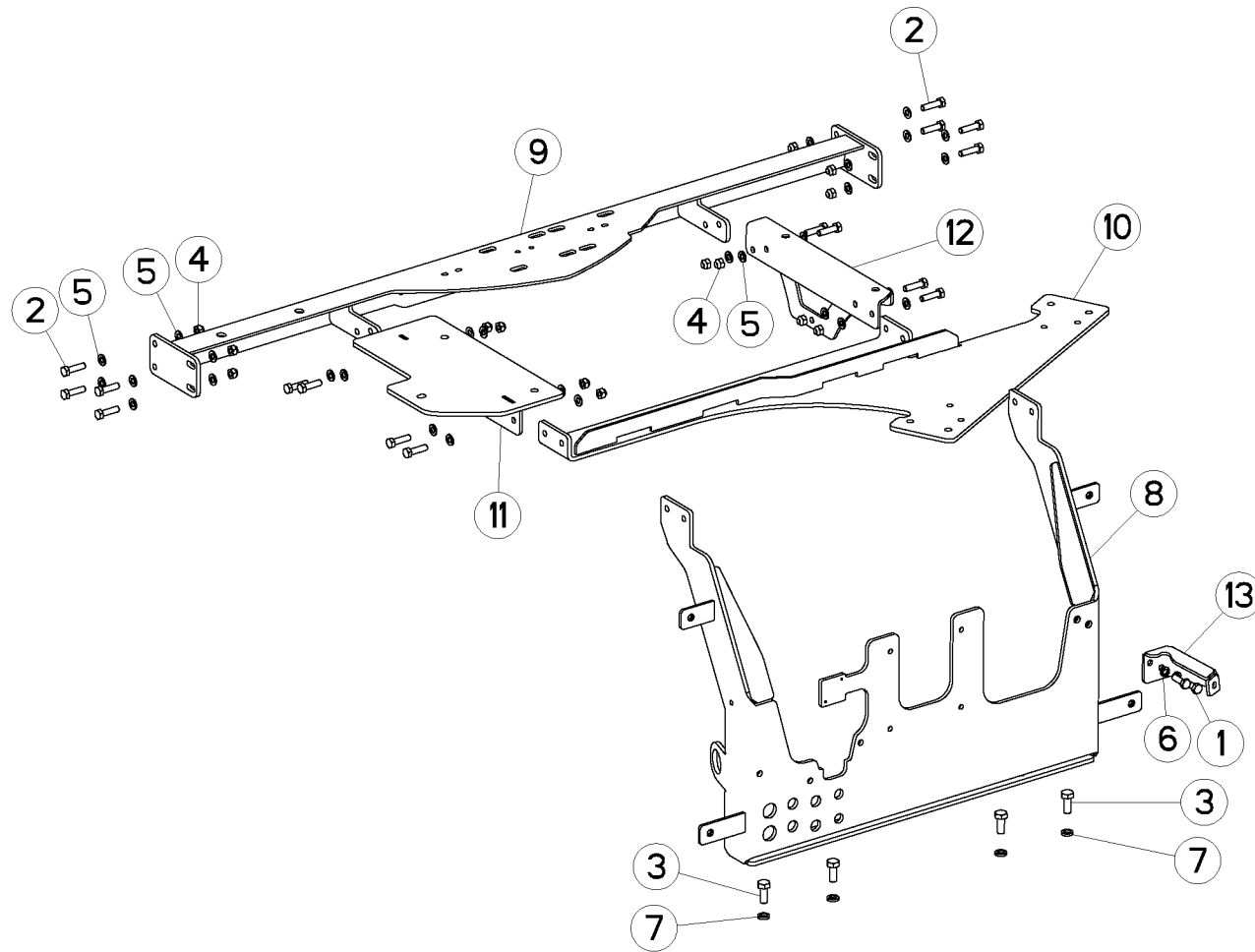
CHASSIS METRIS

FRAME METRIS

RAHMEN METRIS

TELAIO METRIS

Rep	Nr	Qt	Designation	Description	Bezeichnung	Referenza	Remarque - Remark - Bemerkung - Osservazioni
001	09998500	001	PLAQUE	PLATE	PLATTE	PIASTRA	
002	80060828	004	VIS TETE HEXAGONALE INOX	HEXAGON HEAD SCREW INOX	SECHSKANTSCHRAUBE INOX	VITE A TESTA ESAGONALE INOX	
003	80061232	016	VIS TETE HEXAGONALE INOX	HEXAGON HEAD SCREW INOX	SECHSKANTSCHRAUBE INOX	VITE A TESTA ESAGONALE INOX	
004	80100625	003	VIS TETE CYL.FENDUE INOX	SLOT.CHEES.HEAD SCREW INOX	ZYLINDERSCHAU.SCHLITZ INOX	VITE TESTA CILINDR.INOX	
005	80110830	006	VIS TETE FRAI.SIX P.CRE.INOX	HEX.SOCK.COUNT.HEAD SCREW INOX	SENKSCHAUB.INNENSECHSK.INOX	VITE INOX	
006	80200630	003	ECROU HEX.AUTOFREINE FE/ZNXC3	SELF-LOCKING NUT FE/ZNXC3	SELBSTSICHERNDE MUTT.FE/ZNXC3	DADO AUTOBLOCCANTE FE/ZNXC3	
007	80200831	010	ECROU HEXAG.AUTOFREINE INOX	SELF-LOCKING NUT INOX	SELBSTSICHERNDE MUTTER INOX	DADO AUTOBLOCCANTE INOX	
008	80201231	016	ECROU HEXAG.AUTOFREINE INOX	SELF-LOCKING NUT INOX	SELBSTSICHERNDE MUTTER INOX	DADO AUTOBLOCCANTE INOX	
009	80250500	004	RONDELLE PLATE INOX A2	PLAIN WASHER INOX A2	SCHEIBE INOX A2	RONDELLA PIATTALA INOX A2	
010	80250601	003	RONDELLE PLATE INOX A2	PLAIN WASHER INOX A2	SCHEIBE INOX A2	RONDELLA PIATTALA INOX A2	
011	80250800	018	RONDELLE PLATE INOX A2	PLAIN WASHER INOX A2	SCHEIBE INOX A2	RONDELLA PIATTALA INOX A2	
012	80251200	032	RONDELLE PLATE INOX A2	PLAIN WASHER INOX A2	SCHEIBE INOX A2	RONDELLA PIATTALA INOX A2	
013	80370414	008	RIVET AVEUGLE TL ALU	RIVET	NIETE	RIVETTO	
014	80370433	020	RIVET POP ALU TAP 614				
015	83013033	004	BAGUE ROULEE	WRAPPED BUSH	GEROLLTE BUCHSE	ANELLO LUBRIFICATO	
016	83090274	011	EMBASE DE FIXATION A VIS	SELF STIKING CABLE GUIDE	KABELKONSOLE SELBSTKLEBEND	BASAMENTO	
017	A7240006	001	PLAQUE	PLATE	PLATTE	PIASTRA	
018	G4000891	001	CHASSIS	CHASSIS	HAUPTRAHMEN	TELAIO	
019	G4001000	001	SUPPORT	SUPPORT	TRAEGER	SUPPORTO	
020	G4001490	002	SUPPORT	SUPPORT	TRAEGER	SUPPORTO	
021	G4100680	002	FLASQUE	FLANGE	FLANSCH	FLANGIA	
022	G4102240	001	PROTECTION	SHIELD	SCHUTZ	PROTEZIONE	
023	G4102260	001	PROTECTION	SHIELD	SCHUTZ	PROTEZIONE	
024	G4103610	001	PROTECTEUR	GUARD	SCHUTZ	PROTEZIONE	
025	G4103620	001	PROTECTEUR	GUARD	SCHUTZ	PROTEZIONE	
026	G4103630	001	PROTECTEUR	GUARD	SCHUTZ	PROTEZIONE	
027	G4103640	001	PROTECTEUR	GUARD	SCHUTZ	PROTEZIONE	
028	G4103650	001	PROTECTEUR	GUARD	SCHUTZ	PROTEZIONE	
029	G4103660	008	PLAT	FLAT	FLACHEISEN	PIATTO	
030	G4108680	001	ETIQ.ADH.	DECAL	AUFKLEBER	ADESIVO	
031	G4108690	001	ETIQ.ADH.	DECAL	AUFKLEBER	ADESIVO	
032	G4108830	001	PROTECTION	SHIELD	SCHUTZ	PROTEZIONE	
033	G4108840	002	PROTECTION	SHIELD	SCHUTZ	PROTEZIONE	





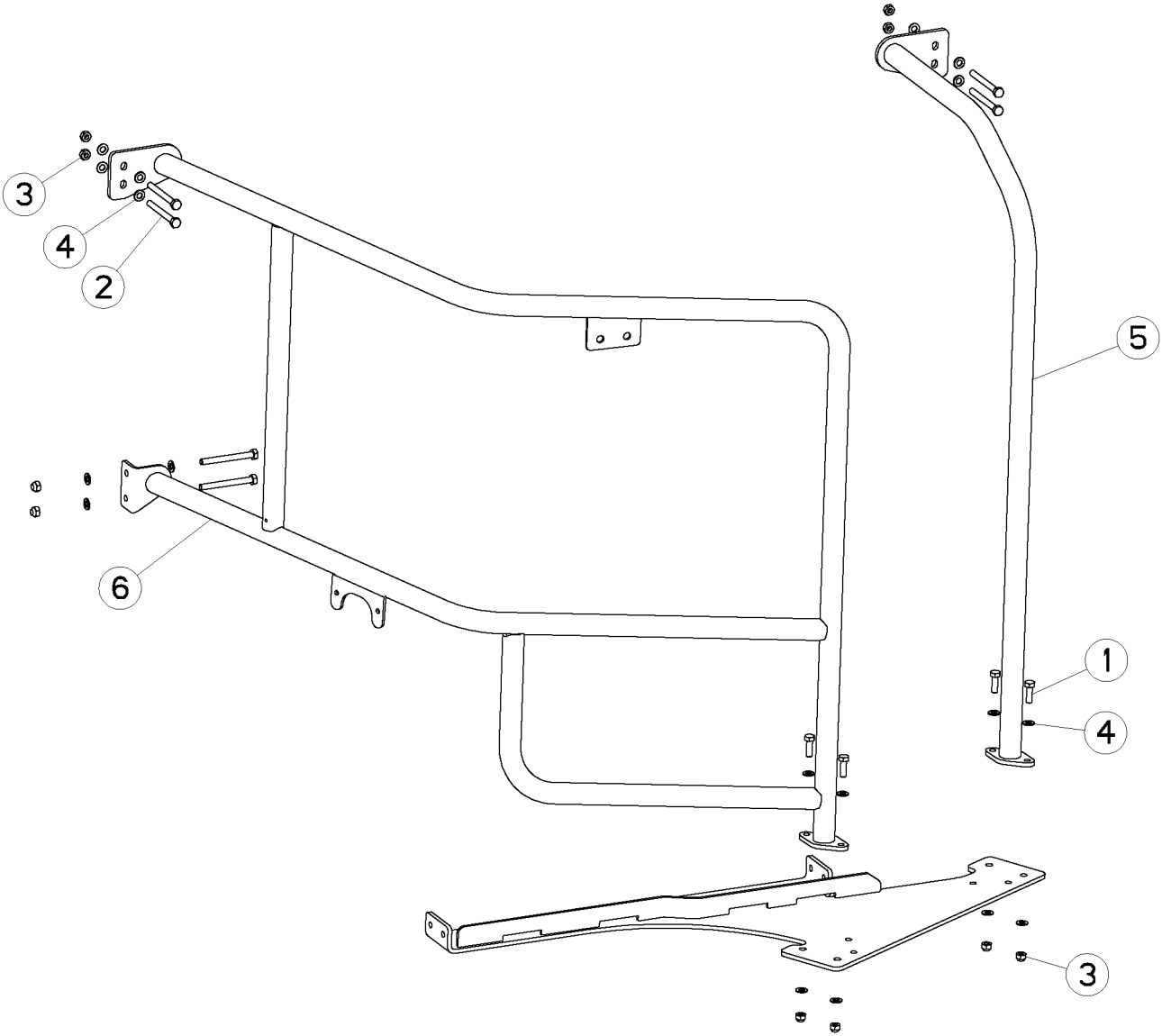
SUPPORT (PASSERELLE)

SUPPORT (FOOT - BRIDGE)

HALTERUNG (LADESTEG)

SUPPORTO (PASSERELLA)

Rep	Nr	Qt	Designation	Description	Bezeichnung	Referenza	Remarque - Remark - Bemerkung - Osservazioni
001	80060828	002	VIS TETE HEXAGONALE INOX	HEXAGON HEAD SCREW INOX	SECHSKANTSCHRAUBE INOX	VITE A TESTA ESAGONALE INOX	
002	80060832	016	VIS TETE HEXAGONALE INOX	HEXAGON HEAD SCREW INOX	SECHSKANTSCHRAUBE INOX	VITE A TESTA ESAGONALE INOX	
003	80061027	004	VIS TETE HEXAGONALE INOX	HEXAGON HEAD SCREW INOX	SECHSKANTSCHRAUBE INOX	VITE A TESTA ESAGONALE INOX	
004	80200831	016	ECROU HEXAG.AUTOFREINE INOX	SELF-LOCKING NUT INOX	SELBSTSICHERNDE MUTTER INOX	DADO AUTOBLOCCANTE INOX	
005	80250800	032	RONDELLE PLATE INOX A2	PLAIN WASHER INOX A2	SCHEIBE INOX A2	RONDELLA PIATTALA INOX A2	
006	80270883	002	RONDELLE GROWER INOX A2	WASHER, SPRING LOCK INOX A2	FEDERRING INOX A2	RONDELLA GROWER INOX A2	
007	80271083	004	RONDELLE GROWER INOX A2	WASHER, SPRING LOCK INOX A2	FEDERRING INOX A2	RONDELLA GROWER INOX A2	
008	G4001010	001	SUPPORT	SUPPORT	TRAEGER	SUPPORTO	
009	G4001020	001	TRAVERSE	TUBE, CROSS	QUERTRAEGER	TRAVERSA	
010	G4001110	001	SUPPORT	SUPPORT	TRAEGER	SUPPORTO	
011	G4001120	001	SUPPORT	SUPPORT	TRAEGER	SUPPORTO	
012	G4001130	001	SUPPORT	SUPPORT	TRAEGER	SUPPORTO	
013	G4102000	001	BUTEE	STOP	ANSCHLAG	LIMITATORE	





METRIS

G40R0267 A

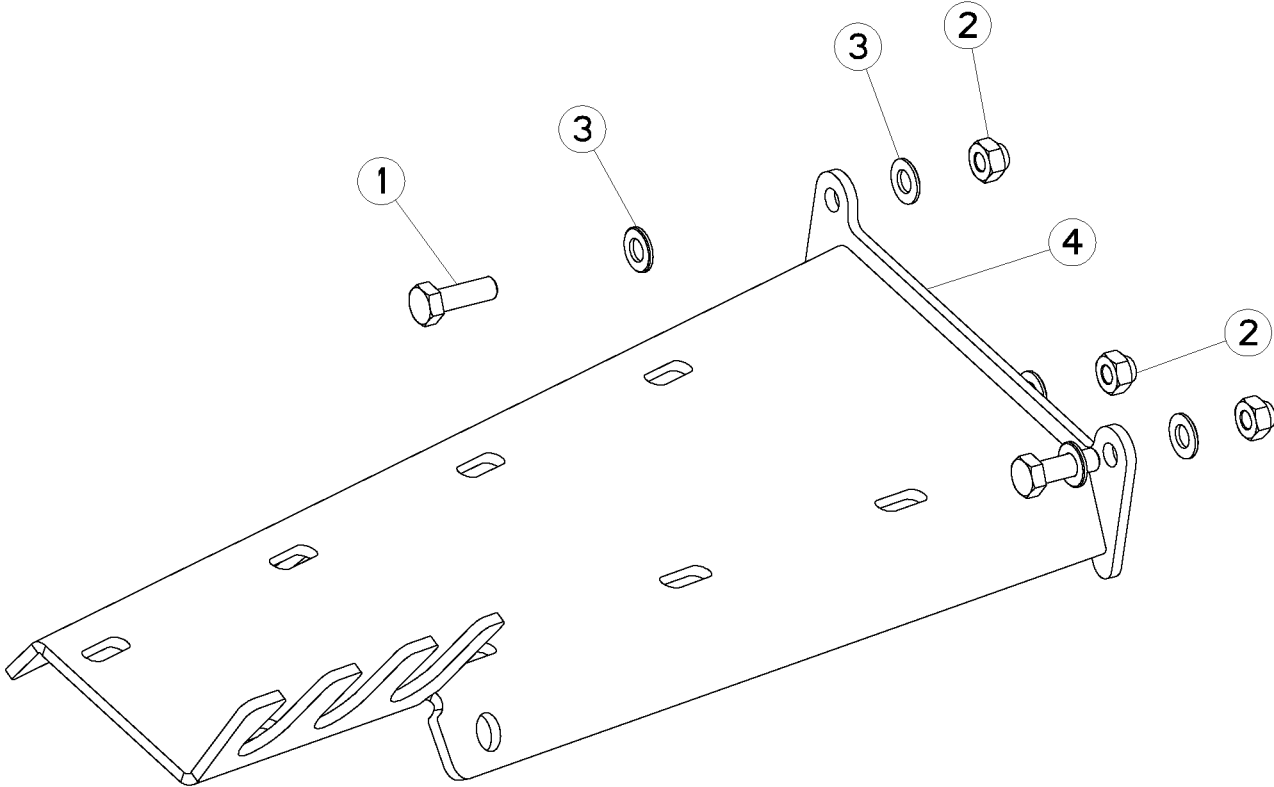
RAMBARDE METRIS

GUARD METRIS

SCHUTZ METRIS

PROTEZIONE METRIS

Rep	Nr	Qt	Designation	Description	Bezeichnung	Referenza	Remarque - Remark - Bemerkung - Osservazioni
001	80060828	004	VIS TETE HEXAGONALE INOX	HEXAGON HEAD SCREW INOX	SECHSKANTSCHRAUBE INOX	VITE A TESTA ESAGONALE INOX	
002	80060880	006	VIS TETE HEXAGONALE INOX	HEXAGON HEAD SCREW INOX	SECHSKANTSCHRAUBE INOX	VITE A TESTA ESAGONALE INOX	
003	80200831	010	ECROU HEXAG.AUTOFREINE INOX	SELF-LOCKING NUT INOX	SELBSTSICHERNDE MUTTER INOX	DADO AUTOBLOCCANTE INOX	
004	80250800	020	RONDELLE PLATE INOX A2	PLAIN WASHER INOX A2	SCHEIBE INOX A2	RONDELLA PIATTALA INOX A2	
005	G4001330	001	RAMBARDE	HAND RAIL	SCHUTZ	PROTEZIONE	
006	G4001340	001	RAMBARDE	HAND RAIL	SCHUTZ	PROTEZIONE	





METRIS

G40R0166 A

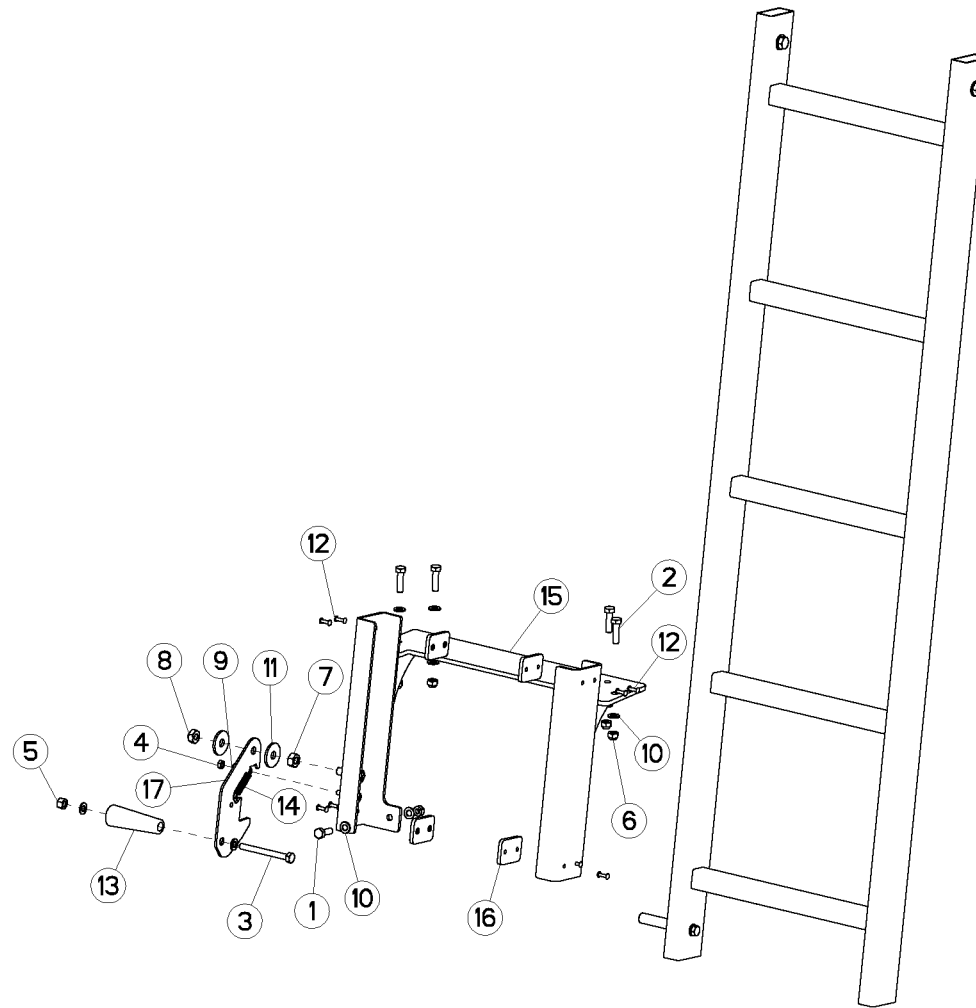
SUPPORT TUYAU

TUBE SUPPORT

HALTERUNGSROHR

SUPPORTO TUBO

Rep	Nr	Qt	Designation	Description	Bezeichnung	Referenza	Remarque - Remark - Bemerkung - Osservazioni
001	80060828	003	VIS TETE HEXAGONALE INOX	HEXAGON HEAD SCREW INOX	SECHSKANTSCHRAUBE INOX	VITE A TESTA ESAGONALE INOX	
002	80200831	003	ECROU HEXAG.AUTOFREINE INOX	SELF-LOCKING NUT INOX	SELBSTSICHERNDE MUTTER INOX	DADO AUTOBLOCCANTE INOX	
003	80250800	006	RONDELLE PLATE INOX A2	PLAIN WASHER INOX A2	SCHEIBE INOX A2	RONDELLA PIATTALA INOX A2	
004	G4000960	001	POTENCE	BOOM	TRAGARM	ATTACCO ATTREZZO	





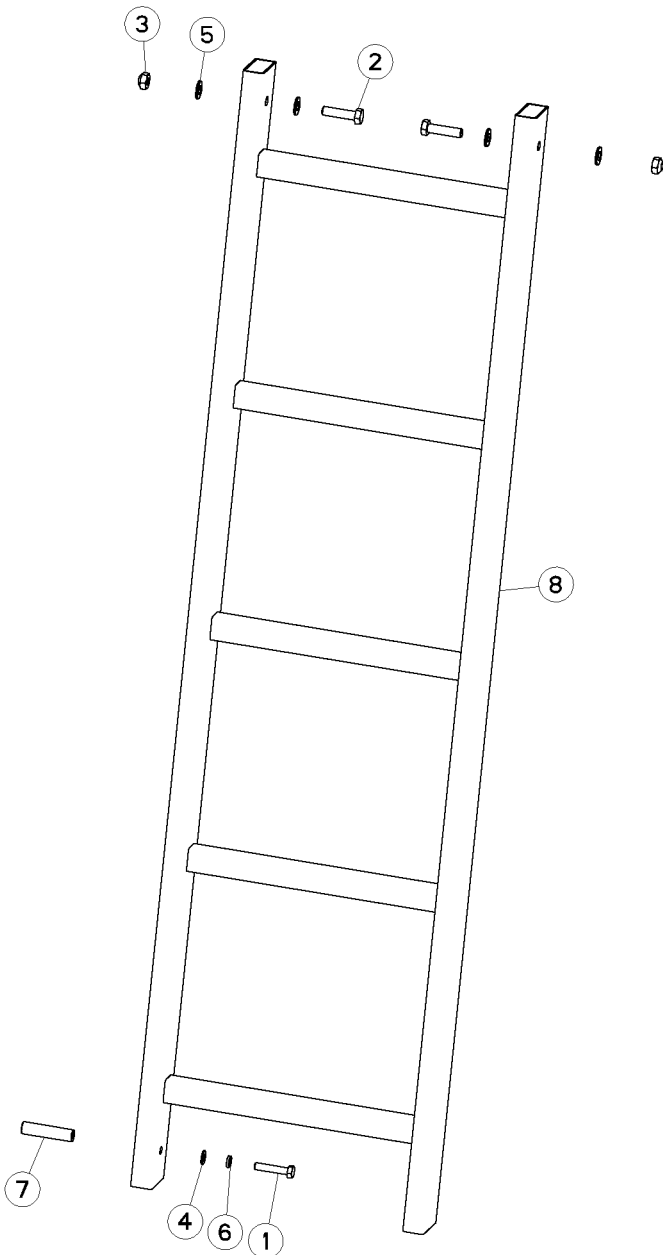
SUPPORT ECHELLE

SUPPORT LADDER

HALTERUNG LEITER

SUPPORTO SCALA

Rep	Nr	Qt	Designation	Description	Bezeichnung	Referenza	Remarque - Remark - Bemerkung - Osservazioni
001	80060828	001	VIS TETE HEXAGONALE INOX	HEXAGON HEAD SCREW INOX	SECHSKANTSCHRAUBE INOX	VITE A TESTA ESAGONALE INOX	
002	80060832	004	VIS TETE HEXAGONALE INOX	HEXAGON HEAD SCREW INOX	SECHSKANTSCHRAUBE INOX	VITE A TESTA ESAGONALE INOX	
003	80060880	001	VIS TETE HEXAGONALE INOX	HEXAGON HEAD SCREW INOX	SECHSKANTSCHRAUBE INOX	VITE A TESTA ESAGONALE INOX	
004	80200631	001	ECROU HEX.BAS AUTOFR.INOX	SELF-LOCKING NUT INOX	SELBSTSICHERNDE MUTTER INOX	DADO AUTOBLOCCANTE INOX	
005	80200804	001	ECROU HEXAGONAL INOX	HEXAGON NUT INOX	SECHSKANTMUTTER INOX	DADO INOX	
006	80200831	005	ECROU HEXAG.AUTOFREINE INOX	SELF-LOCKING NUT INOX	SELBSTSICHERNDE MUTTER INOX	DADO AUTOBLOCCANTE INOX	
007	80201002	001	ECROU HEXAGONAL INOX	HEXAGON NUT INOX	SECHSKANTMUTTER INOX	DADO INOX	
008	80201049	001	ECROU HEX.BAS AUTOFR.INOX	SELF-LOCKING NUT INOX	SELBSTSICHERNDE MUTTER INOX	DADO AUTOBLOCCANTE INOX	
009	80250601	001	RONDELLE PLATE INOX A2	PLAIN WASHER INOX A2	SCHEIBE INOX A2	RONDELLA PIATTALA INOX A2	
010	80250800	012	RONDELLE PLATE INOX A2	PLAIN WASHER INOX A2	SCHEIBE INOX A2	RONDELLA PIATTALA INOX A2	
011	80251037	002	RONDELLE PLATE INOX A2	PLAIN WASHER INOX A2	SCHEIBE INOX A2	RONDELLA PIATTALA INOX A2	
012	80370416	008	RIVET AVEUGLE TP NORM.	RIVET	NIETE	RIVETTO	
013	83050005	001	POIGNEE	HANDLE	HANDGRIFF	MANIGLIA	
014	FLA1637A	001	RESSORT	SPRING	FEDER	MOLLA	
015	G4000990	001	SUPPORT	SUPPORT	TRAEGER	SUPPORTO	
016	G4101990	004	COUSSINET	BEARING, SLEEVE	LAGER	CUSCINETTO	
017	G4106650	001	VERROU	LATCH	RIEGEL	LEVA	





METRIS

G40R0161 B

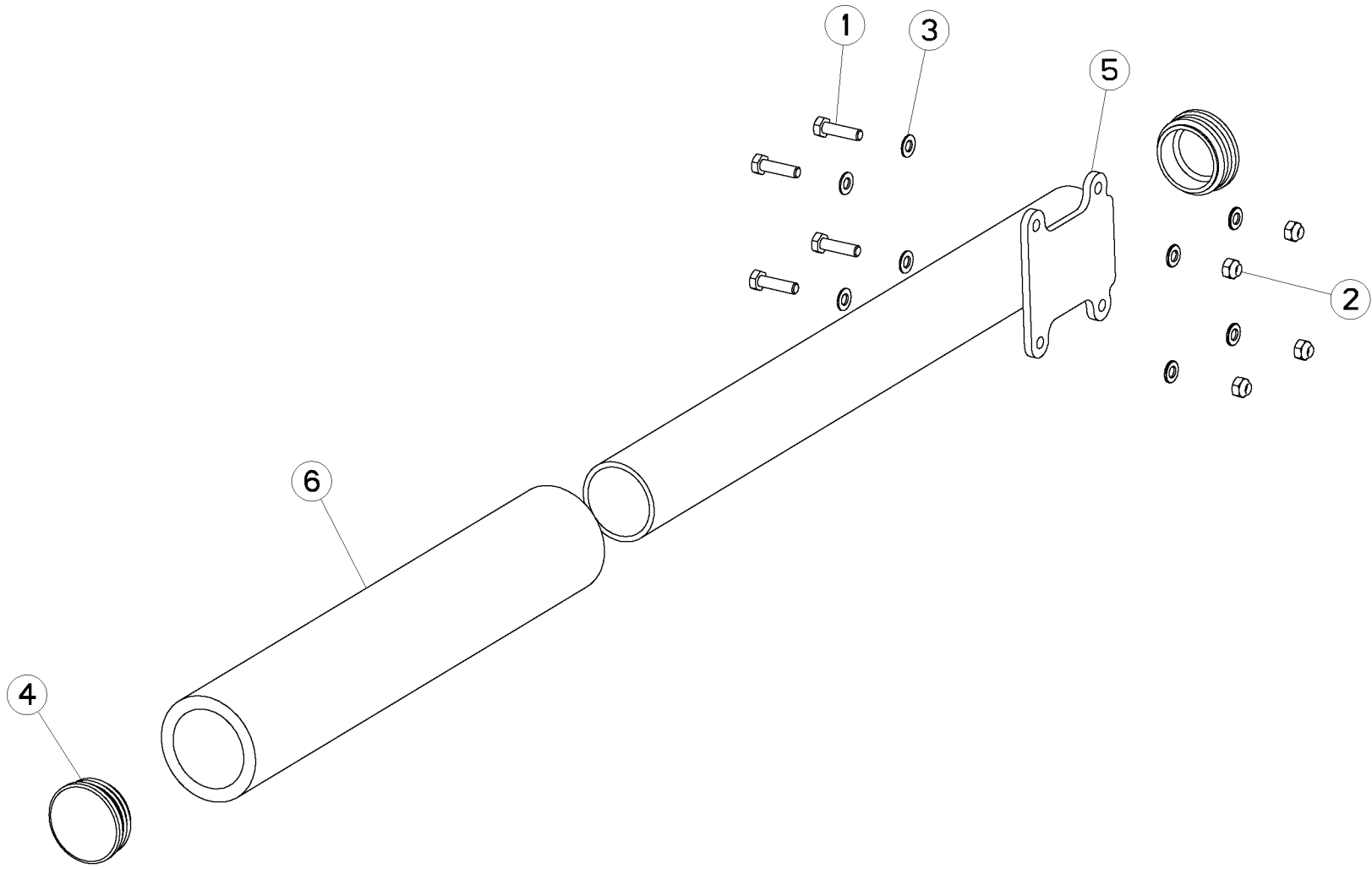
ECHELLE METRIS

LADDER METRIS

LEITER METRIS

SCALA METRIS

Rep	Nr	Qt	Designation	Description	Bezeichnung	Referenza	Remarque - Remark - Bemerkung - Osservazioni
001	80060842	001	VIS TETE HEXAGONALE INOX	HEXAGON HEAD SCREW INOX	SECHSKANTSCHRAUBE INOX	VITE A TESTA ESAGONALE INOX	
002	80061043	002	VIS TETE HEXAGONALE INOX	HEXAGON HEAD SCREW INOX	SECHSKANTSCHRAUBE INOX	VITE A TESTA ESAGONALE INOX	
003	80201049	002	ECROU HEX.BAS AUTOFR.INOX	SELF-LOCKING NUT INOX	SELBSTSICHERNDE MUTTER INOX	DADO AUTOBLOCCANTE INOX	
004	80250800	001	RONDELLE PLATE INOX A2	PLAIN WASHER INOX A2	SCHEIBE INOX A2	RONDELLA PIATTALA INOX A2	
005	80251005	004	RONDELLE PLATE INOX A2	PLAIN WASHER INOX A2	SCHEIBE INOX A2	RONDELLA PIATTALA INOX A2	
006	80270883	001	RONDELLE GROWER INOX A2	WASHER, SPRING LOCK INOX A2	FEDERRING INOX A2	RONDELLA GROWER INOX A2	
007	G0560103	001	PION	PIN, GUIDE	PABSTIFT		
008	G4103490	001	ECHELLE	LADDER	SKALA	SCALA	





METRIS

G40R0266 A

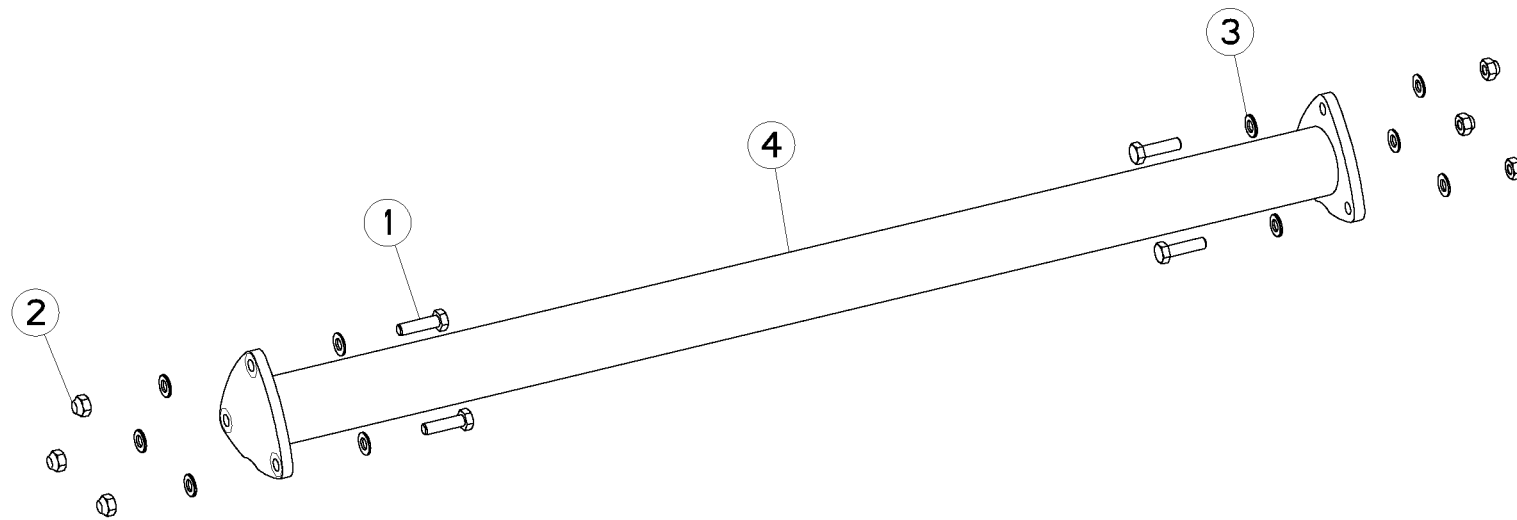
BUTEE RAMPE

STOP BOOM

ANSCHLAG SPRITZGESTÄNGE

LIMITATORE BARRA IRRORANTE

Rep	Nr	Qt	Designation	Description	Bezeichnung	Referenza	Remarque - Remark - Bemerkung - Osservazioni
001	80060832	004	VIS TETE HEXAGONALE INOX	HEXAGON HEAD SCREW INOX	SECHSKANTSCHRAUBE INOX	VITE A TESTA ESAGONALE INOX	
002	80200831	004	ECROU HEXAG.AUTOFREINE INOX	SELF-LOCKING NUT INOX	SELBSTSICHERNDE MUTTER INOX	DADO AUTOBLOCCANTE INOX	
003	80250800	008	RONDELLE PLATE INOX A2	PLAIN WASHER INOX A2	SCHEIBE INOX A2	RONDELLA PIATTALA INOX A2	
004	83040229	002	BOUCHON D'OBTURATION	END PLUG	VERSCHLUSSSTOPFEN	TAPPO DI CHIUSURA	
005	G4000740	001	BUTEE	STOP	ANSCHLAG	LIMITATORE	
006	G4103590	001	TUYAU	PIPE	ROHR	TUBO	Ø 60 <->450





METRIS

G40R0284 A

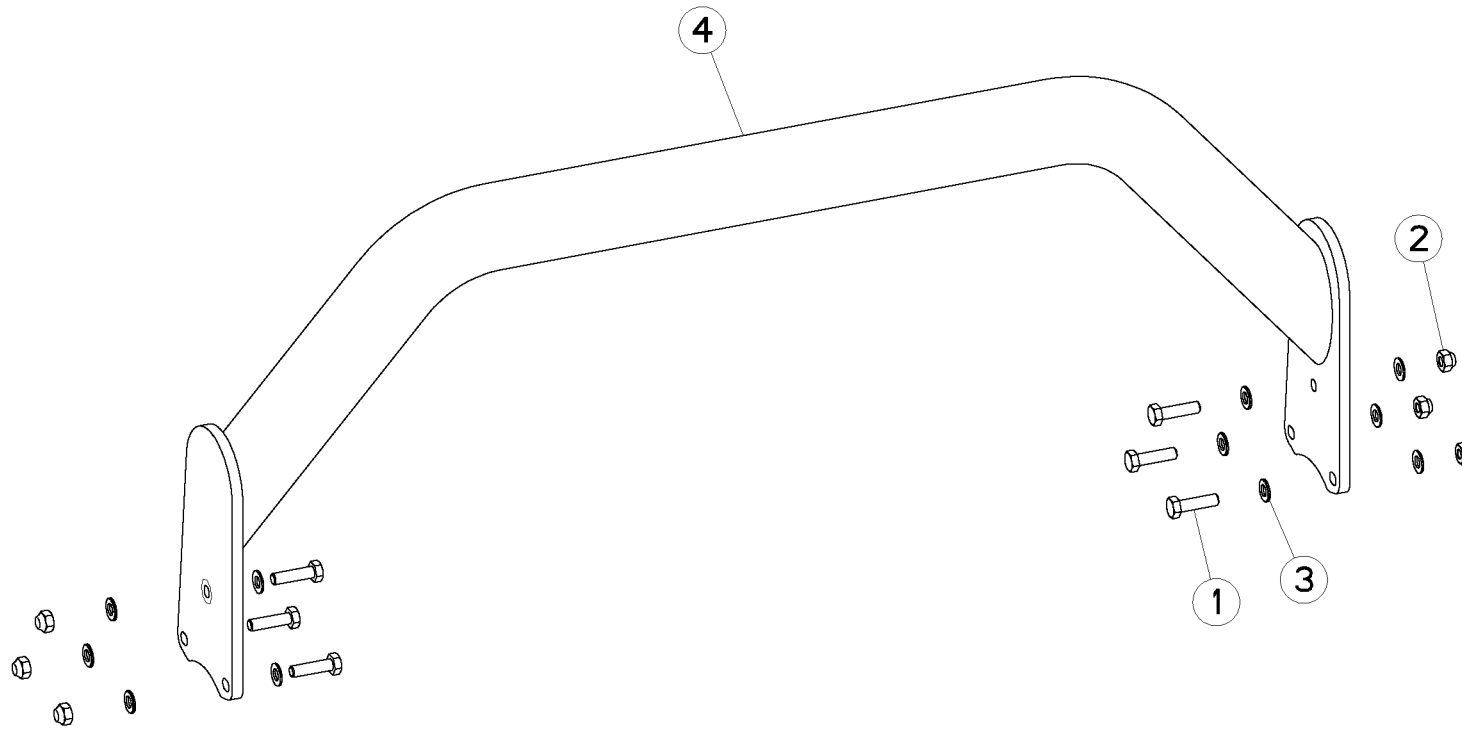
TRAVERSE 3200 SUPERIEUR

CROSSBAR 3200 UPPER

QUERTRÄGER 3200 OBEN

TRAVERSA 3200 SUPERIORE

Rep	Nr	Qt	Designation	Description	Bezeichnung	Referenza	Remarque - Remark - Bemerkung - Osservazioni
001	80060832	006	VIS TETE HEXAGONALE INOX	HEXAGON HEAD SCREW INOX	SECHSKANTSCHRAUBE INOX	VITE A TESTA ESAGONALE INOX	
002	80200831	006	ECROU HEXAG.AUTOFREINE INOX	SELF-LOCKING NUT INOX	SELBSTSICHERNDE MUTTER INOX	DADO AUTOBLOCCANTE INOX	
003	80250800	012	RONDELLE PLATE INOX A2	PLAIN WASHER INOX A2	SCHEIBE INOX A2	RONDELLA PIATTALA INOX A2	
004	G4101180	001	TRAVERSE	TUBE, CROSS	QUERTRAEGER	TRAVERSA	





METRIS

G40R0285 A

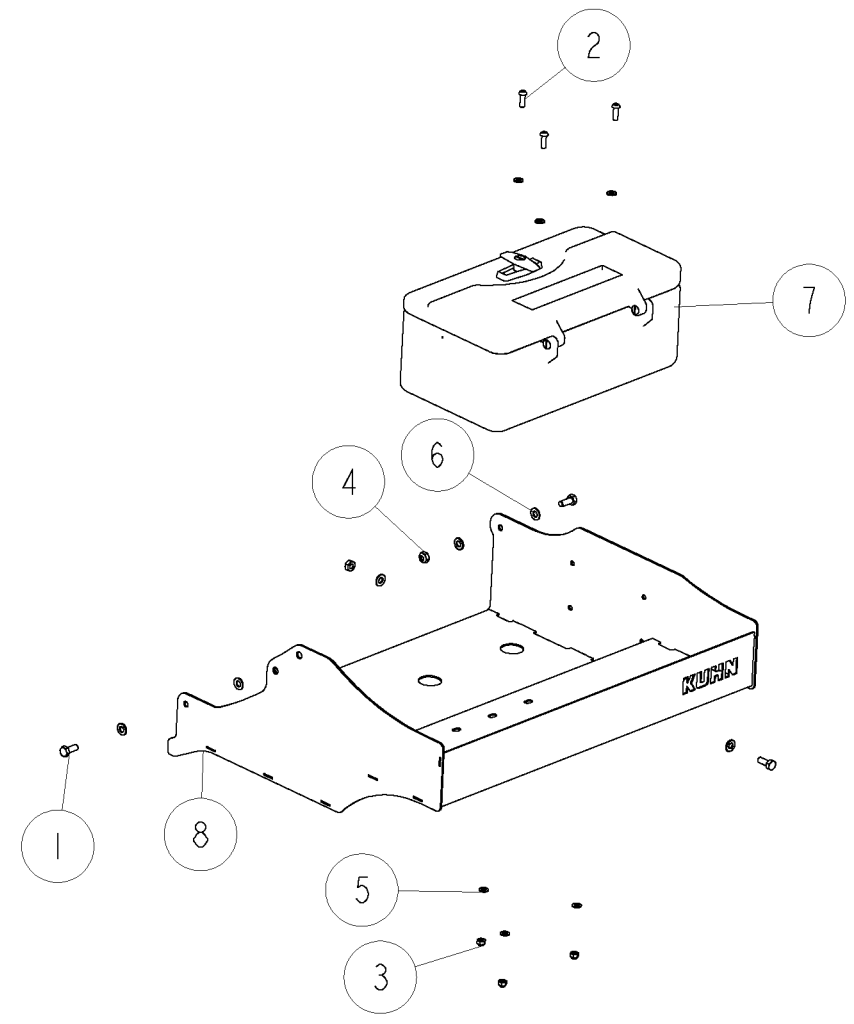
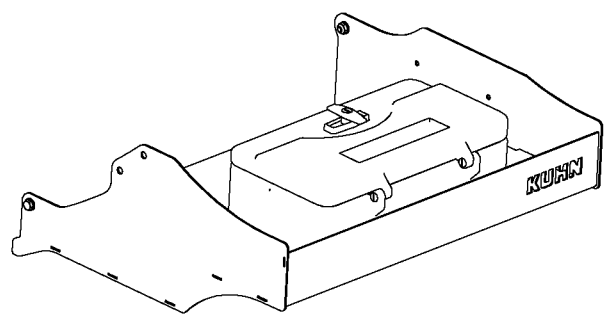
TRAVERSE 4100L SUPERIEUR

CROSSBAR 4100L UPPER

QUERTRÄGER 4100L OBEN

TRAVERSA 4100L SUPERIORE

Rep	Nr	Qt	Designation	Description	Bezeichnung	Referenza	Remarque - Remark - Bemerkung - Osservazioni
001	80060832	006	VIS TETE HEXAGONALE INOX	HEXAGON HEAD SCREW INOX	SECHSKANTSCHRAUBE INOX	VITE A TESTA ESAGONALE INOX	
002	80200831	006	ECROU HEXAG.AUTOFREINE INOX	SELF-LOCKING NUT INOX	SELBSTSICHERNDE MUTTER INOX	DADO AUTOBLOCCANTE INOX	
003	80250800	012	RONDELLE PLATE INOX A2	PLAIN WASHER INOX A2	SCHEIBE INOX A2	RONDELLA PIATTALA INOX A2	
004	G4000710	001	TRAVERSE	TUBE, CROSS	QUERTRAEGER	TRAVERSA	





METRIS

G40R0170 A

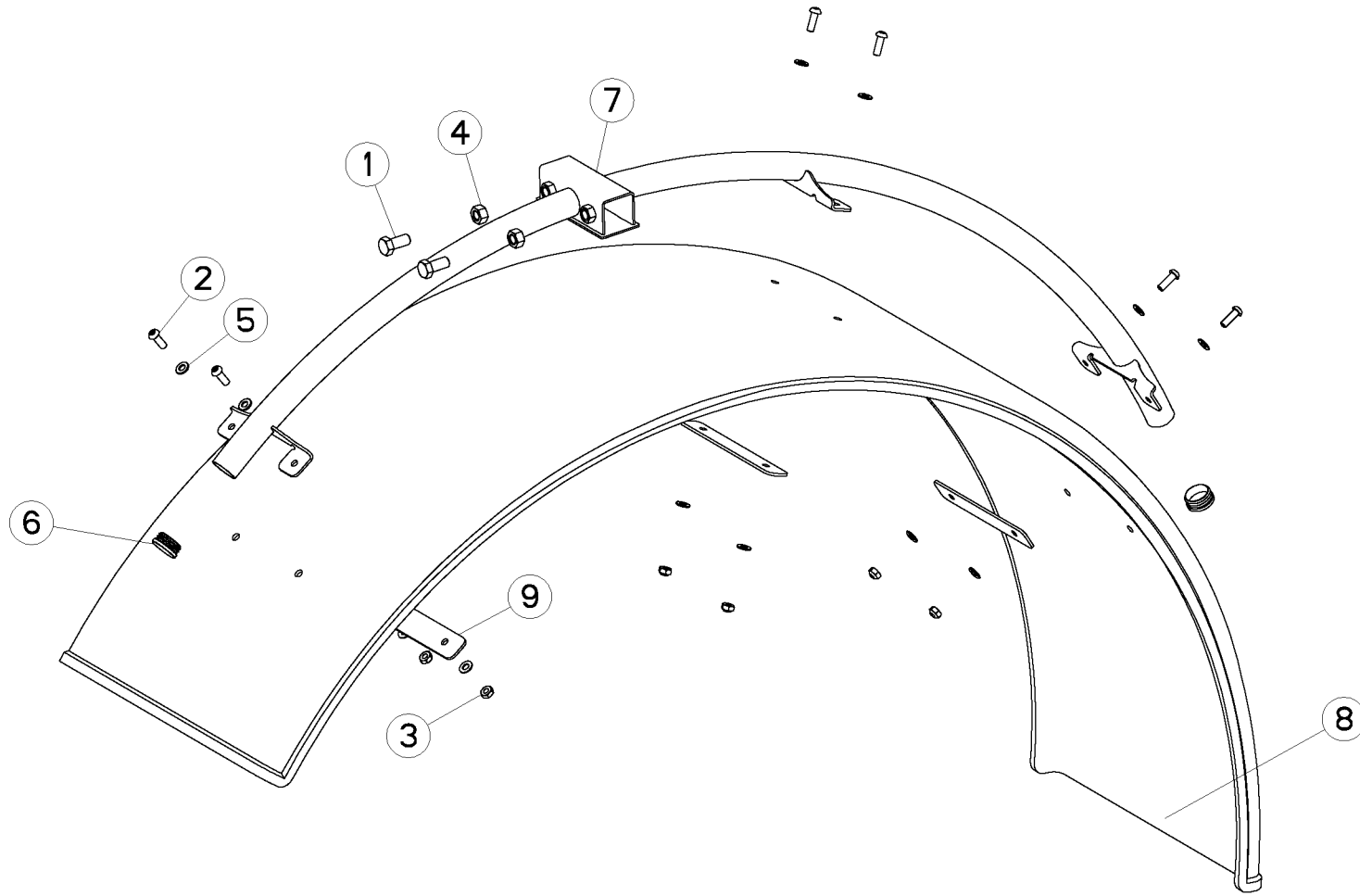
COFFRE METRIS

STORAGE COMPARTMENT METRIS

STAUFACH METRIS

SERBATOIO METRIS

Rep	Nr	Qt	Designation	Description	Bezeichnung	Referenza	Remarque - Remark - Bemerkung - Osservazioni
001	80061027	003	VIS TETE HEXAGONALE INOX	HEXAGON HEAD SCREW INOX	SECHSKANTSCHRAUBE INOX	VITE A TESTA ESAGONALE INOX	
002	80190825	003	VIS T.CY.BOMB.SIX P.C.INOX				
003	80200831	003	ECROU HEXAG.AUTOFREINE INOX	SELF-LOCKING NUT INOX	SELBSTSICHERNDE MUTTER INOX	DADO AUTOBLOCCANTE INOX	
004	80201049	003	ECROU HEX.BAS AUTOFR.INOX	SELF-LOCKING NUT INOX	SELBSTSICHERNDE MUTTER INOX	DADO AUTOBLOCCANTE INOX	
005	80250800	006	RONDELLE PLATE INOX A2	PLAIN WASHER INOX A2	SCHEIBE INOX A2	RONDELLA PIATTALA INOX A2	
006	80251005	006	RONDELLE PLATE INOX A2	PLAIN WASHER INOX A2	SCHEIBE INOX A2	RONDELLA PIATTALA INOX A2	
007	G1001650	001	COFFRE	CONTAINER	KOFFER	CONTENITORE	
008	G4003350	001	SUPPORT	SUPPORT	TRAEGER	SUPPORTO	





METRIS

G40R0209 A

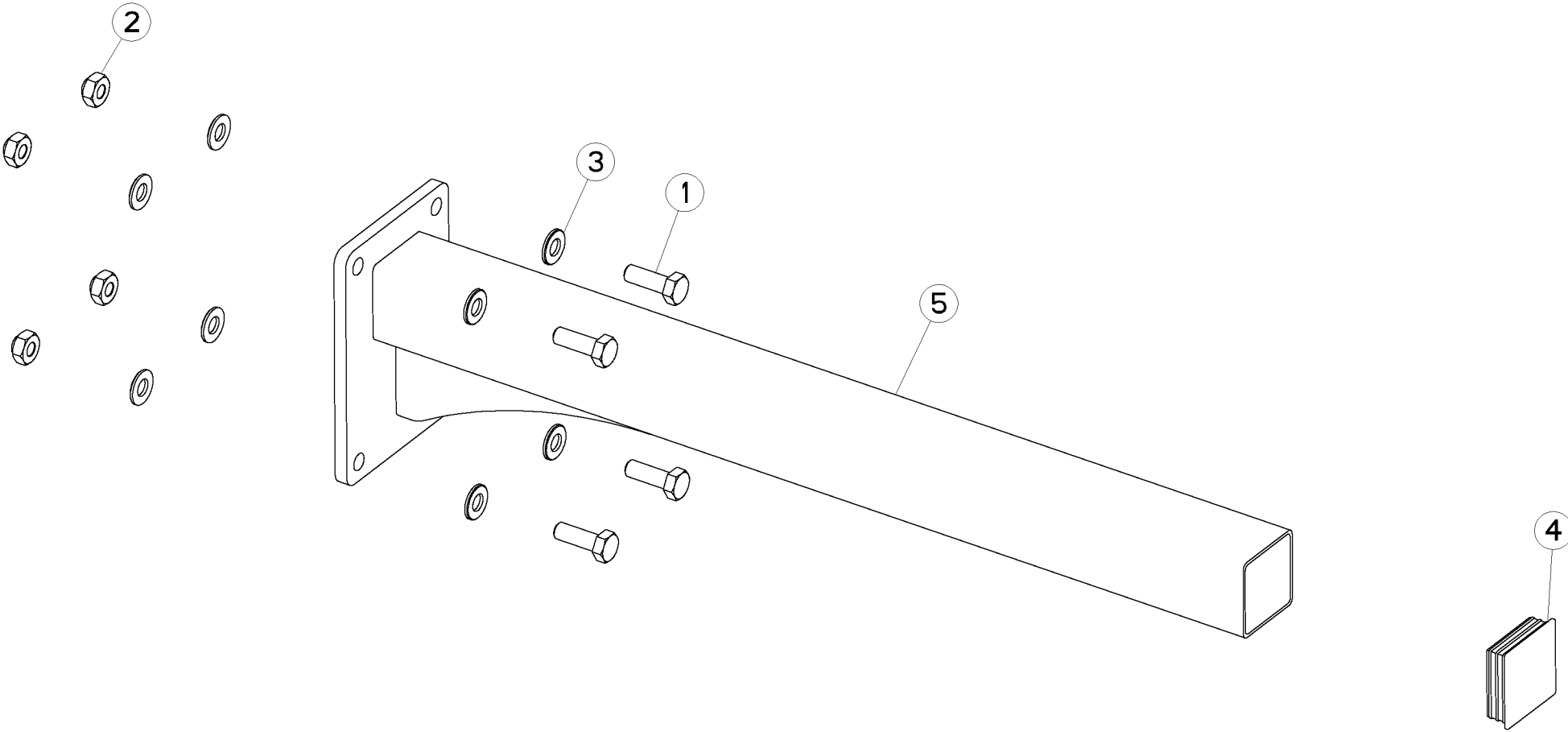
GARDE BOUE 480

MUDGUARD 480

KOTFLÜGEL 480

PARAFANGO 480

Rep	Nr	Qt	Designation	Description	Bezeichnung	Referenza	Remarque - Remark - Bemerkung - Osservazioni
001	80061613	002	VIS TETE HEXAGONALE INOX				
002	80191031	006	VIS T.CY.BOMB.SIX P.C.INOX				
003	80201049	006	ECROU HEX.BAS AUTOFR.INOX	SELF-LOCKING NUT INOX	SELBSTSICHERNDE MUTTER INOX	DADO AUTOBLOCCANTE INOX	
004	80201671	002	ECROU HEXAGONAL INOX	HEXAGON NUT INOX	SECHSKANTMUTTER INOX	DADO INOX	
005	80251005	012	RONDELLE PLATE INOX A2	PLAIN WASHER INOX A2	SCHEIBE INOX A2	RONDELLA PIATTALA INOX A2	
006	83040227	002	BOUCHON D'OBTURATION	END PLUG	VERSCHLUSSSTOPFEN	TAPPO DI CHIUSURA	
007	G4000730	001	FIXATION	MOUNT	VERBINDUNGSTUECK	ATTACCO GANCIO	
008	G4002320	001	GARDE-BOUE	FENDER	SCHUTZBLECH	PARAFANGO	
009	G4101650	003	PLAQUE	PLATE	PLATTE	PIASTRA	





METRIS

G40R0208 A

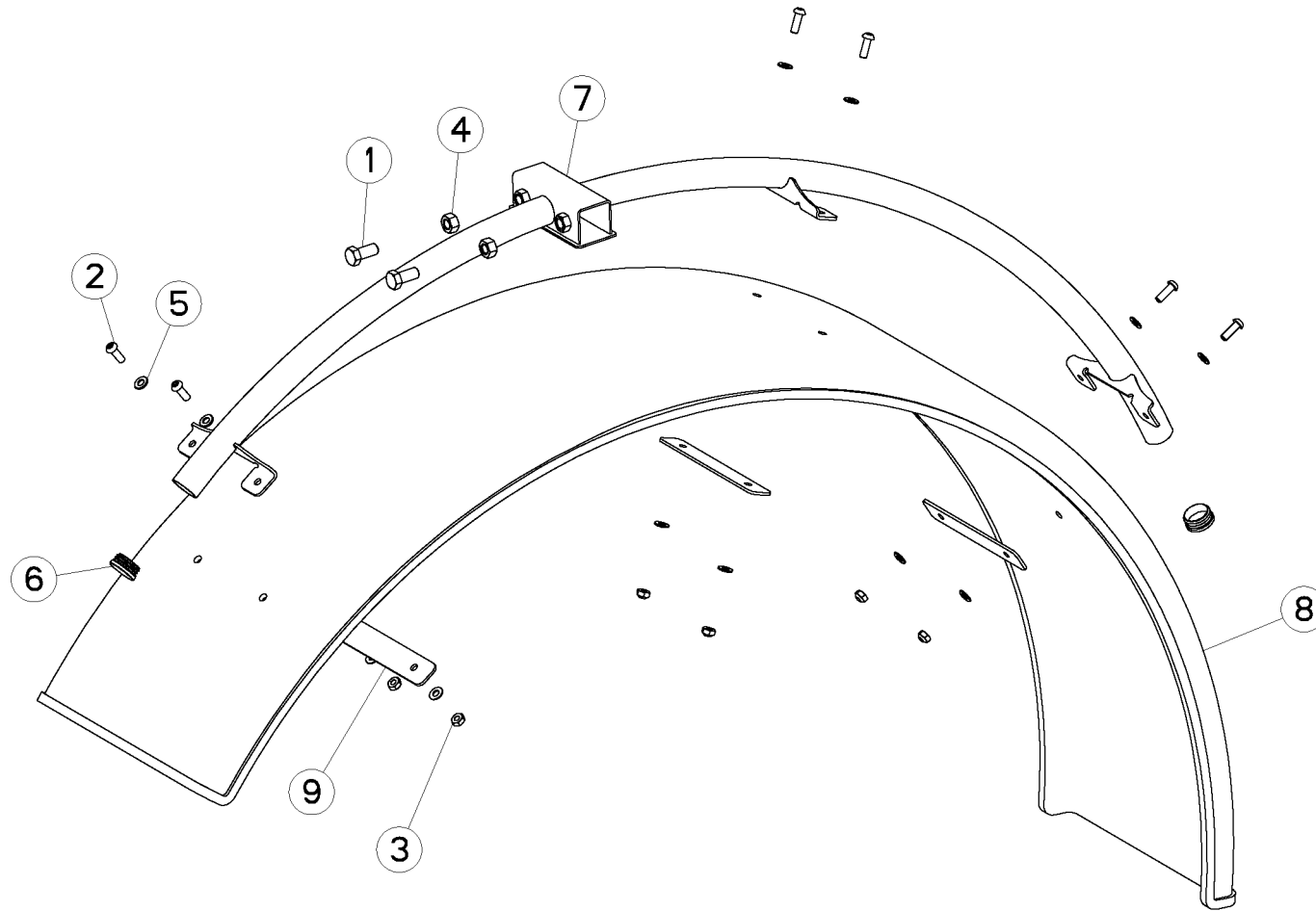
SUPPORT GARDE BOUE

SUPPORT MUDGUARD

HALTERUNG KOTFLÜGEL

SUPPORTO PARAFANGO

Rep	Nr	Qt	Designation	Description	Bezeichnung	Referenza	Remarque - Remark - Bemerkung - Osservazioni
001	80061031	004	VIS TETE HEXAGONALE INOX	HEXAGON HEAD SCREW INOX	SECHSKANTSCHRAUBE INOX	VITE A TESTA ESAGONALE INOX	
002	80201049	004	ECROU HEX.BAS AUTOFR.INOX	SELF-LOCKING NUT INOX	SELBSTSICHERNDE MUTTER INOX	DADO AUTOBLOCCANTE INOX	
003	80251005	008	RONDELLE PLATE INOX A2	PLAIN WASHER INOX A2	SCHEIBE INOX A2	RONDELLA PIATTALA INOX A2	
004	83040219	001	BOUCHON D'OBTURATION	END PLUG	VERSCHLUSSSTOPFEN	TAPPO DI CHIUSURA	
005	G4002150	001	SUPPORT	SUPPORT	TRAEGER	SUPPORTO	





METRIS

G40R0204 A

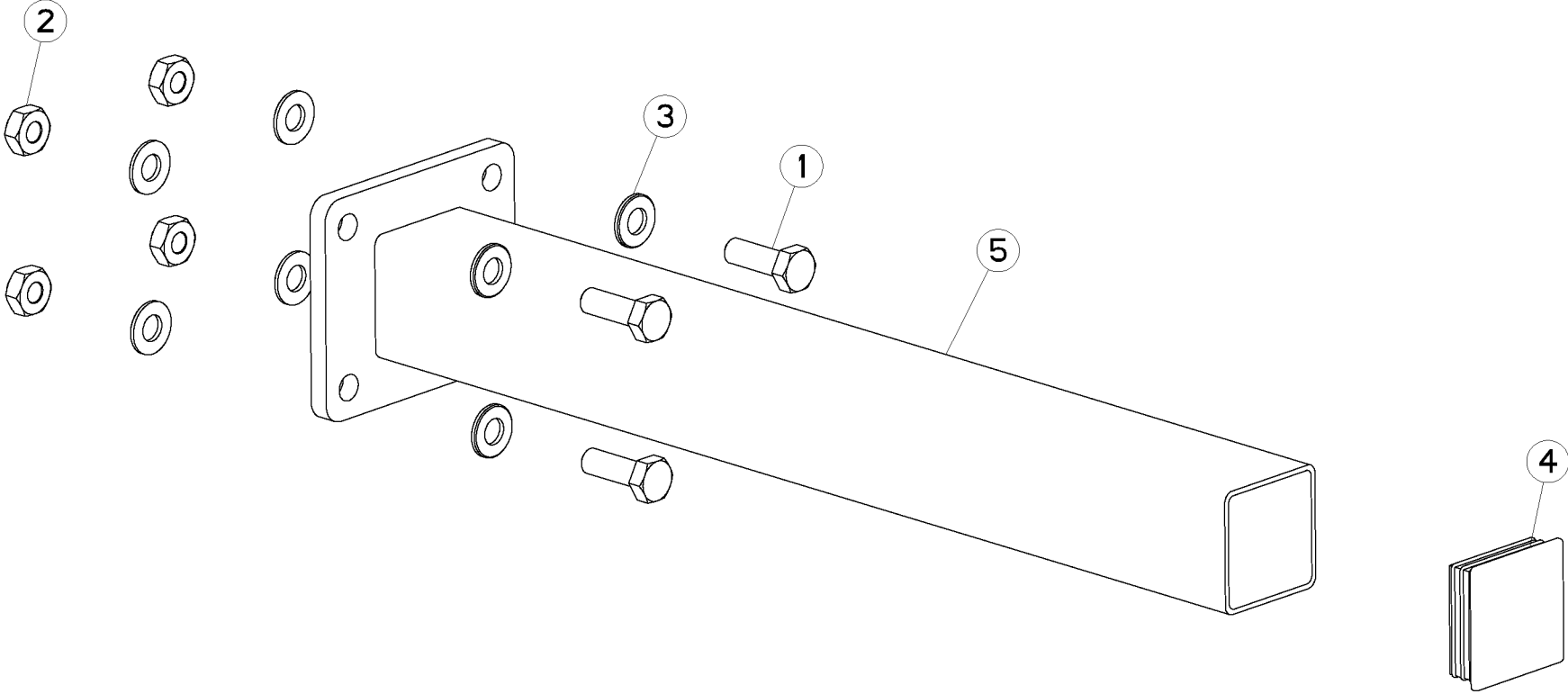
GARDE BOUE 380 METRIS

MUDGUARD 380 METRIS

KOTFLÜGEL 380 METRIS

PARAFANGO 380 METRIS

Rep	Nr	Qt	Designation	Description	Bezeichnung	Referenza	Remarque - Remark - Bemerkung - Osservazioni
001	80061613	002	VIS TETE HEXAGONALE INOX				
002	80191031	006	VIS T.CY.BOMB.SIX P.C.INOX				
003	80201049	006	ECROU HEX.BAS AUTOFR.INOX	SELF-LOCKING NUT INOX	SELBSTSICHERNDE MUTTER INOX	DADO AUTOBLOCCANTE INOX	
004	80201671	002	ECROU HEXAGONAL INOX	HEXAGON NUT INOX	SECHSKANTMUTTER INOX	DADO INOX	
005	80251005	012	RONDELLE PLATE INOX A2	PLAIN WASHER INOX A2	SCHEIBE INOX A2	RONDELLA PIATTALA INOX A2	
006	83040227	002	BOUCHON D'OBTURATION	END PLUG	VERSCHLUSSSTOPFEN	TAPPO DI CHIUSURA	
007	G4000730	001	FIXATION	MOUNT	VERBINDUNGSTUECK	ATTACCO GANCIO	
008	G4002380	001	GARDE-BOUE	FENDER	SCHUTZBLECH	PARAFANGO	
009	G4101650	003	PLAQUE	PLATE	PLATTE	PIASTRA	





METRIS

G40R0207 A

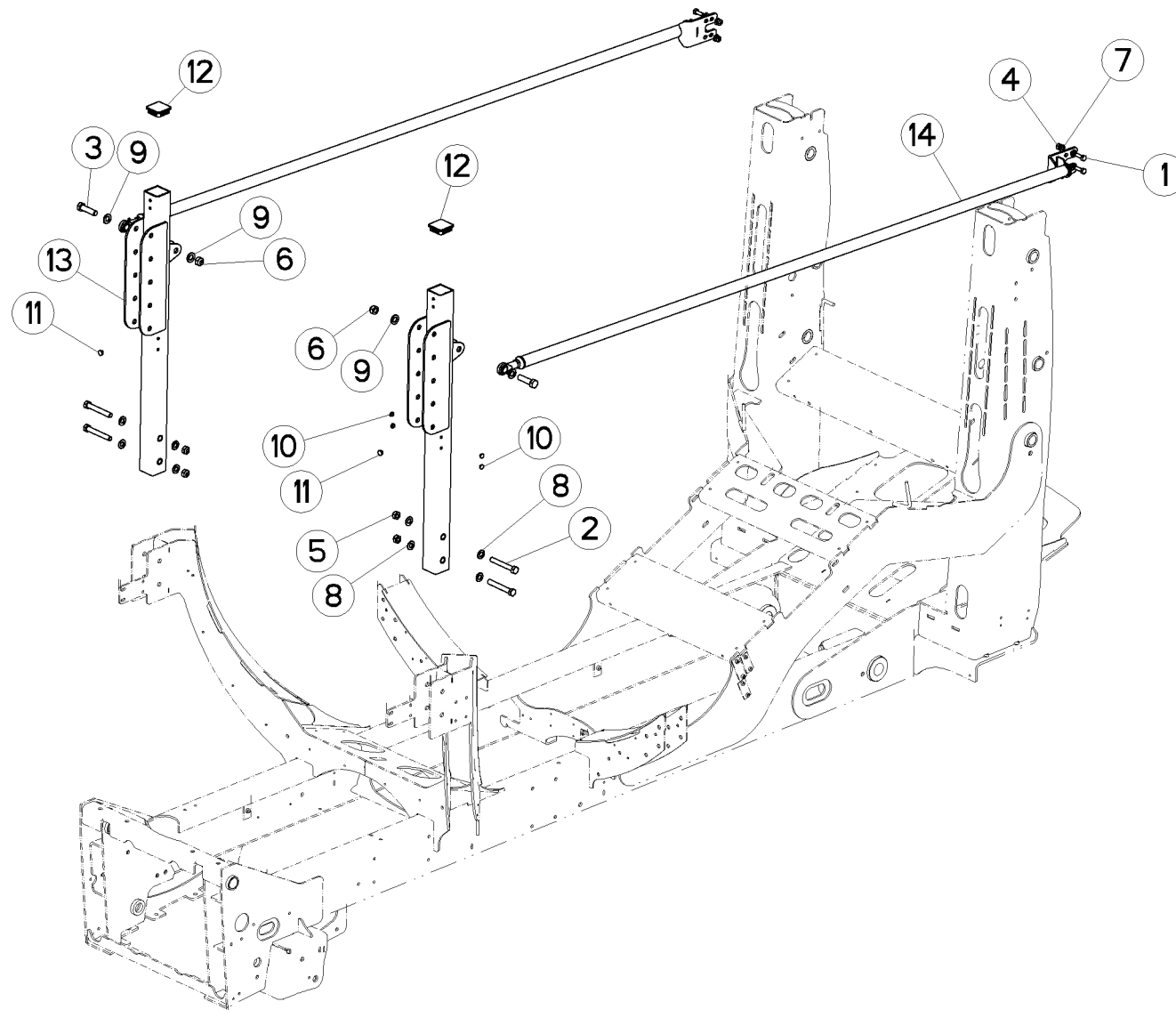
SUPPORT GARDE BOUE

SUPPORT MUDGUARD

HALTERUNG KOTFLÜGEL

SUPPORTO PARAFANGO

Rep	Nr	Qt	Designation	Description	Bezeichnung	Referenza	Remarque - Remark - Bemerkung - Osservazioni
001	80061031	004	VIS TETE HEXAGONALE INOX	HEXAGON HEAD SCREW INOX	SECHSKANTSCHRAUBE INOX	VITE A TESTA ESAGONALE INOX	
002	80201049	004	ECROU HEX.BAS AUTOFR.INOX	SELF-LOCKING NUT INOX	SELBSTSICHERNDE MUTTER INOX	DADO AUTOBLOCCANTE INOX	
003	80251005	008	RONDELLE PLATE INOX A2	PLAIN WASHER INOX A2	SCHEIBE INOX A2	RONDELLA PIATTALA INOX A2	
004	83040219	001	BOUCHON D'OBTURATION	END PLUG	VERSCHLUSSSTOPFEN	TAPPO DI CHIUSURA	
005	G4000720	001	SUPPORT	SUPPORT	TRAEGER	SUPPORTO	





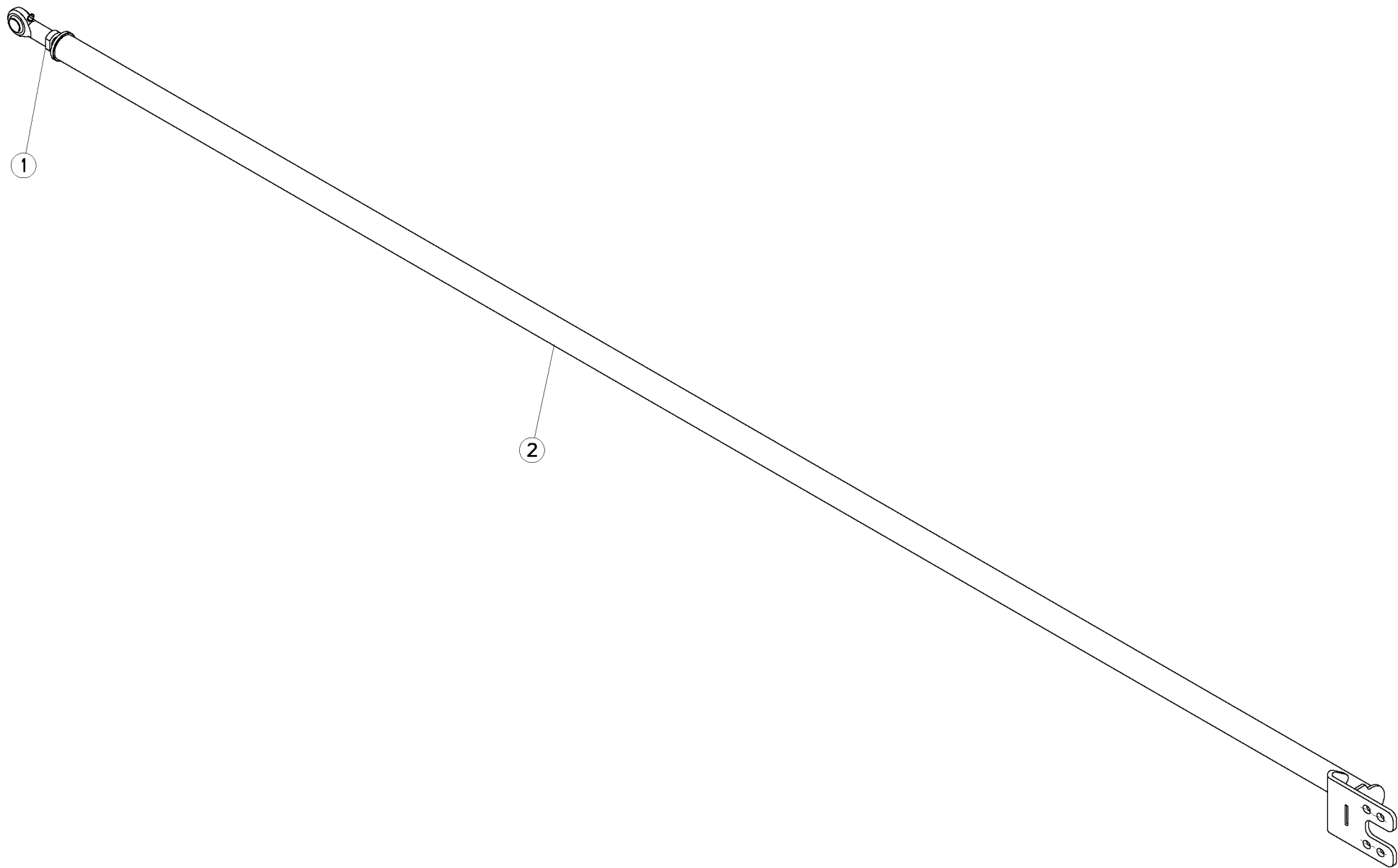
SUPPORT TRAVERSE

SUPPORT CROSSBAR

HALTERUNG QUERTRÄGER

SUPPORTO TRAVERSA

Rep	Nr	Qt	Designation	Description	Bezeichnung	Referenza	Remarque - Remark - Bemerkung - Osservazioni
001	80061031	004	VIS TETE HEXAGONALE INOX	HEXAGON HEAD SCREW INOX	SECHSKANTSCHRAUBE INOX	VITE A TESTA ESAGONALE INOX	
002	80061498	004	VIS TETE HEXAGONALE INOX	HEXAGON HEAD SCREW INOX	SECHSKANTSCHRAUBE INOX	VITE A TESTA ESAGONALE INOX	
003	80061602	002	VIS TETE HEXAGONALE INOX	HEXAGON HEAD SCREW INOX	SECHSKANTSCHRAUBE INOX	VITE A TESTA ESAGONALE INOX	
004	80201049	004	ECROU HEX.BAS AUTOFR.INOX	SELF-LOCKING NUT INOX	SELBSTSICHERNDE MUTTER INOX	DADO AUTOBLOCCANTE INOX	
005	80201431	004	ECROU HEX.BAS AUTOFR.INOX	SELF-LOCKING NUT INOX	SELBSTSICHERNDE MUTTER INOX	DADO AUTOBLOCCANTE INOX	
006	80201631	002	ECROU HEX.BAS AUTOFR.INOX	SELF-LOCKING NUT INOX	SELBSTSICHERNDE MUTTER INOX	DADO AUTOBLOCCANTE INOX	
007	80251005	008	RONDELLE PLATE INOX A2	PLAIN WASHER INOX A2	SCHEIBE INOX A2	RONDELLA PIATTALA INOX A2	
008	80251400	008	RONDELLE PLATE INOX A2	PLAIN WASHER INOX A2	SCHEIBE INOX A2	RONDELLA PIATTALA INOX A2	
009	80251601	004	RONDELLE PLATE INOX A2	PLAIN WASHER INOX A2	SCHEIBE INOX A2	RONDELLA PIATTALA INOX A2	
010	83040065	004	BOUCHON D'OBTURATION	END PLUG	VERSCHLUSSSTOPFEN	TAPPO DI CHIUSURA	
011	83040071	002	BOUCHON D'OBTURATION	END PLUG	VERSCHLUSSSTOPFEN	TAPPO DI CHIUSURA	
012	83040248	002	BOUCHON D'OBTURATION	END PLUG	VERSCHLUSSSTOPFEN	TAPPO DI CHIUSURA	
013	G4001040	002	SUPPORT	SUPPORT	TRAEGER	SUPPORTO	
014	G4003890	002	TIRANT	TIE ROD	ZUGSTANGE	TIRANTE	





METRIS

G40R0381 A

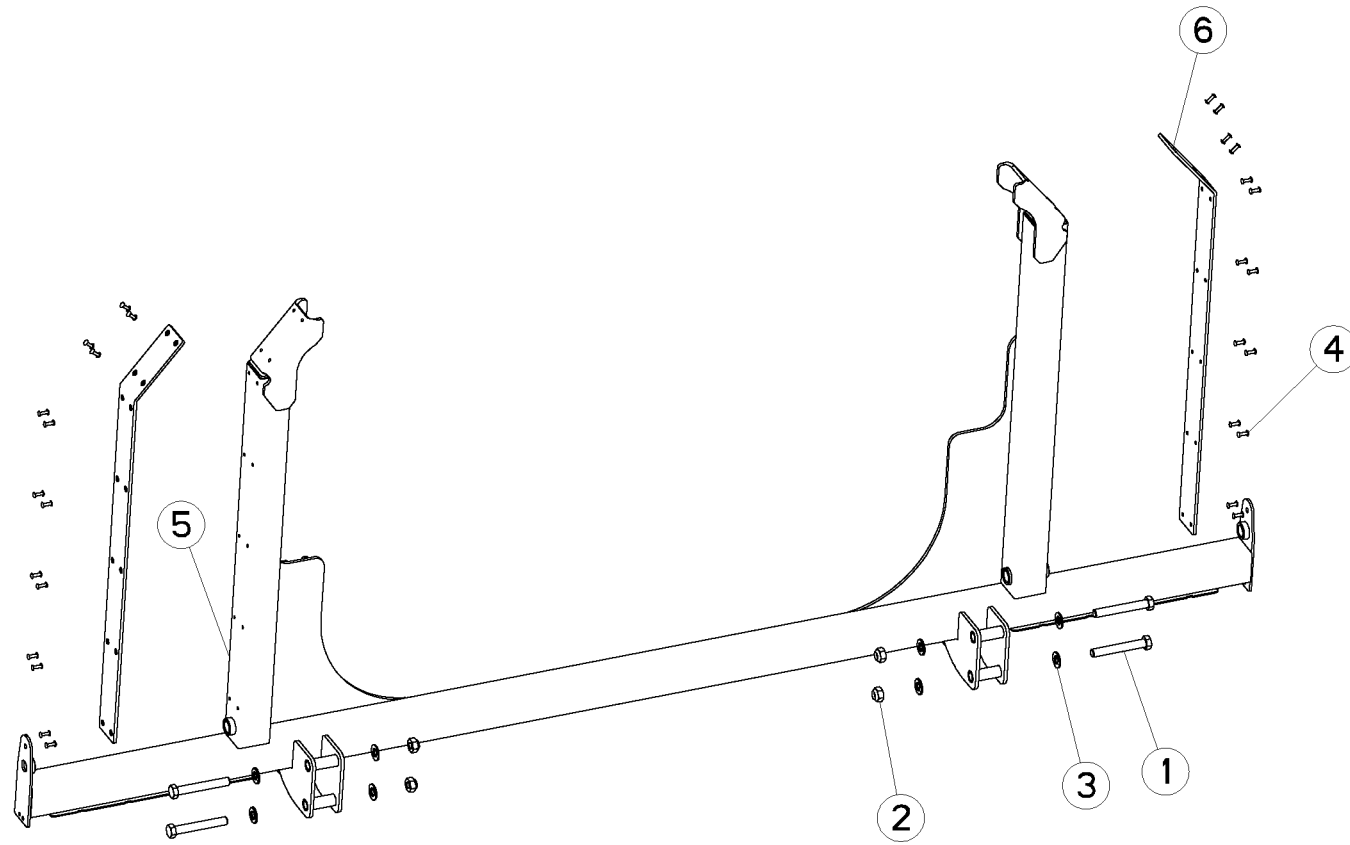
TIRANT AVEC ROTULE

TIE ROD AVEC BALL PIVOT

ZUGSTANGE AVEC KUGELGELENK

TIRANTE AVEC SNODO

Rep	Nr	Qt	Designation	Description	Bezeichnung	Referenza	Remarque - Remark - Bemerkung - Osservazioni
001	G4000690	001	ROTULE	BALL JOINT	KUGELGELENK	GINOCCHIERA	
002	G4003880	001	TIRANT	TIE ROD	ZUGSTANGE	TIRANTE	





METRIS

G40R0275 A

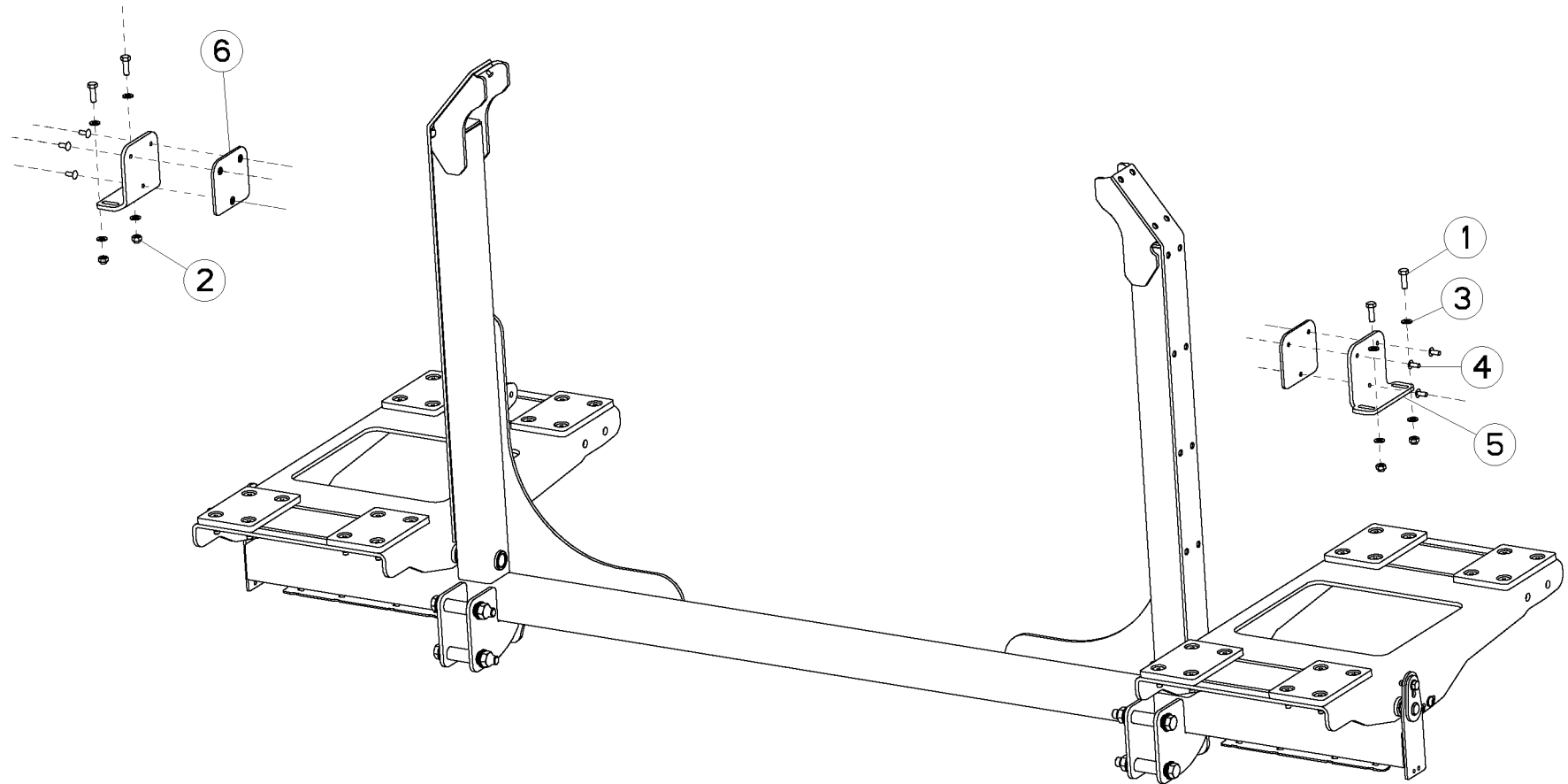
TRAVERSE RHPA TR4 RBA METRIS

CROSSBAR RHPA TR4 RBA METRIS

QUERTRÄGER RHPA TR4 RBA METRIS

TRAVERSA RHPA TR4 RBA METRIS

Rep	Nr	Qt	Designation	Description	Bezeichnung	Referenza	Remarque - Remark - Bemerkung - Osservazioni
001	80061498	004	VIS TETE HEXAGONALE INOX	HEXAGON HEAD SCREW INOX	SECHSKANTSCHRAUBE INOX	VITE A TESTA ESAGONALE INOX	
002	80201431	004	ECROU HEX.BAS AUTOFR.INOX	SELF-LOCKING NUT INOX	SELBSTSICHERNDE MUTTER INOX	DADO AUTOBLOCCANTE INOX	
003	80251400	008	RONDELLE PLATE INOX A2	PLAIN WASHER INOX A2	SCHEIBE INOX A2	RONDELLA PIATTALA INOX A2	
004	80370405	028	RIVET AVEUGLE CLOU TP	RIVET	NIETE	RIVETTO	
005	G4000980	001	TRAVERSE	TUBE, CROSS	QUERTRAEGER	TRAVERSA	
006	G4103850	002	PLAQUE	PLATE	PLATTE	PIASTRA	





METRIS

G40R0268 A

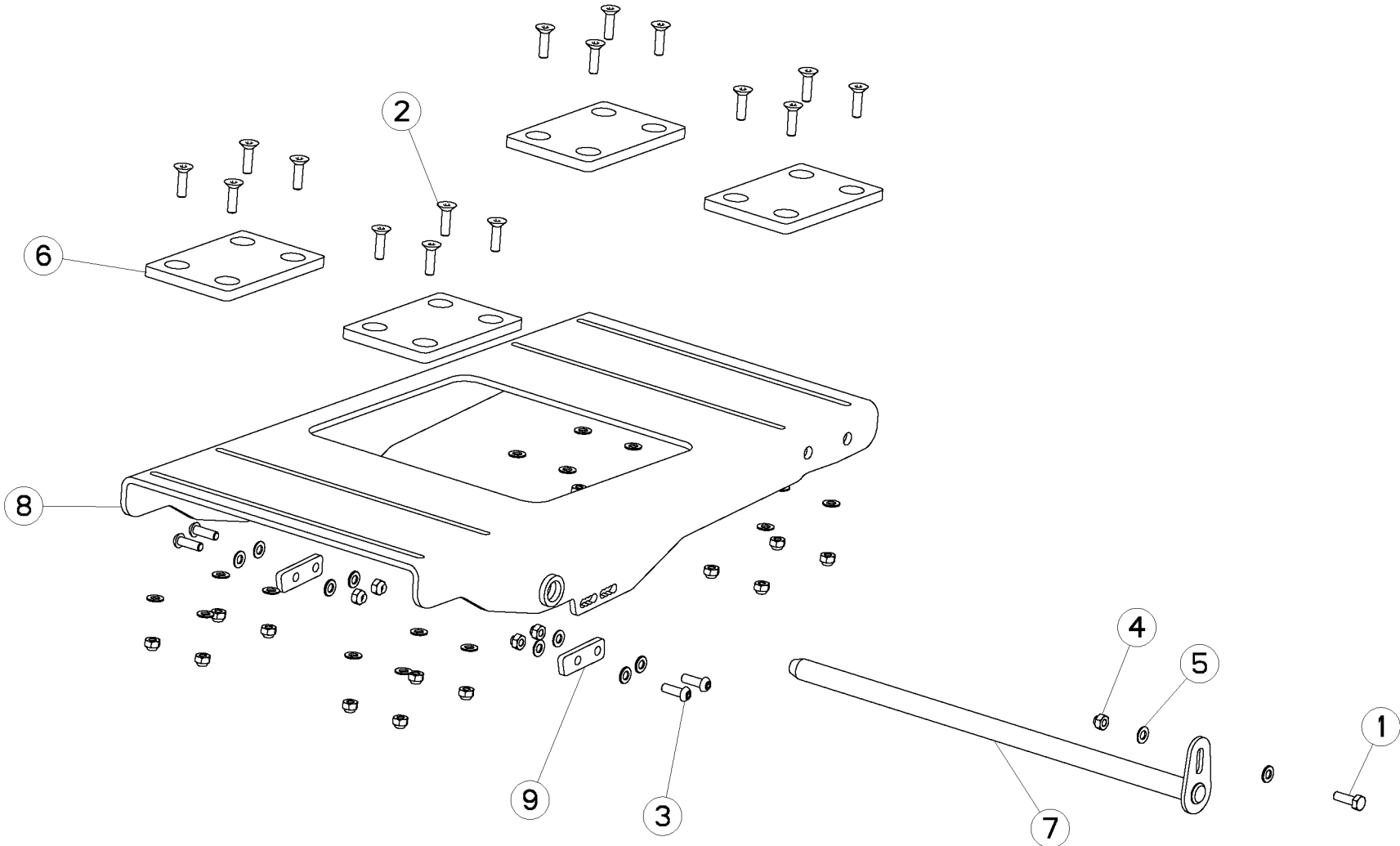
BUTEE RAMPE

STOP BOOM

ANSCHLAG SPRITZGESTÄNGE

LIMITATORE BARRA IRRORANTE

Rep	Nr	Qt	Designation	Description	Bezeichnung	Referenza	Remarque - Remark - Bemerkung - Osservazioni
001	80060828	004	VIS TETE HEXAGONALE INOX	HEXAGON HEAD SCREW INOX	SECHSKANTSCHRAUBE INOX	VITE A TESTA ESAGONALE INOX	
002	80200831	004	ECROU HEXAG.AUTOFREINE INOX	SELF-LOCKING NUT INOX	SELBSTSICHERNDE MUTTER INOX	DADO AUTOBLOCCANTE INOX	
003	80250800	008	RONDELLE PLATE INOX A2	PLAIN WASHER INOX A2	SCHEIBE INOX A2	RONDELLA PIATTALA INOX A2	
004	80370613	006	RIVET POP ALU BROLO				
005	G4105090	002	BUTEE	STOP	ANSCHLAG	LIMITATORE	
006	G4105100	002	PLAQUE	PLATE	PLATTE	PIASTRA	





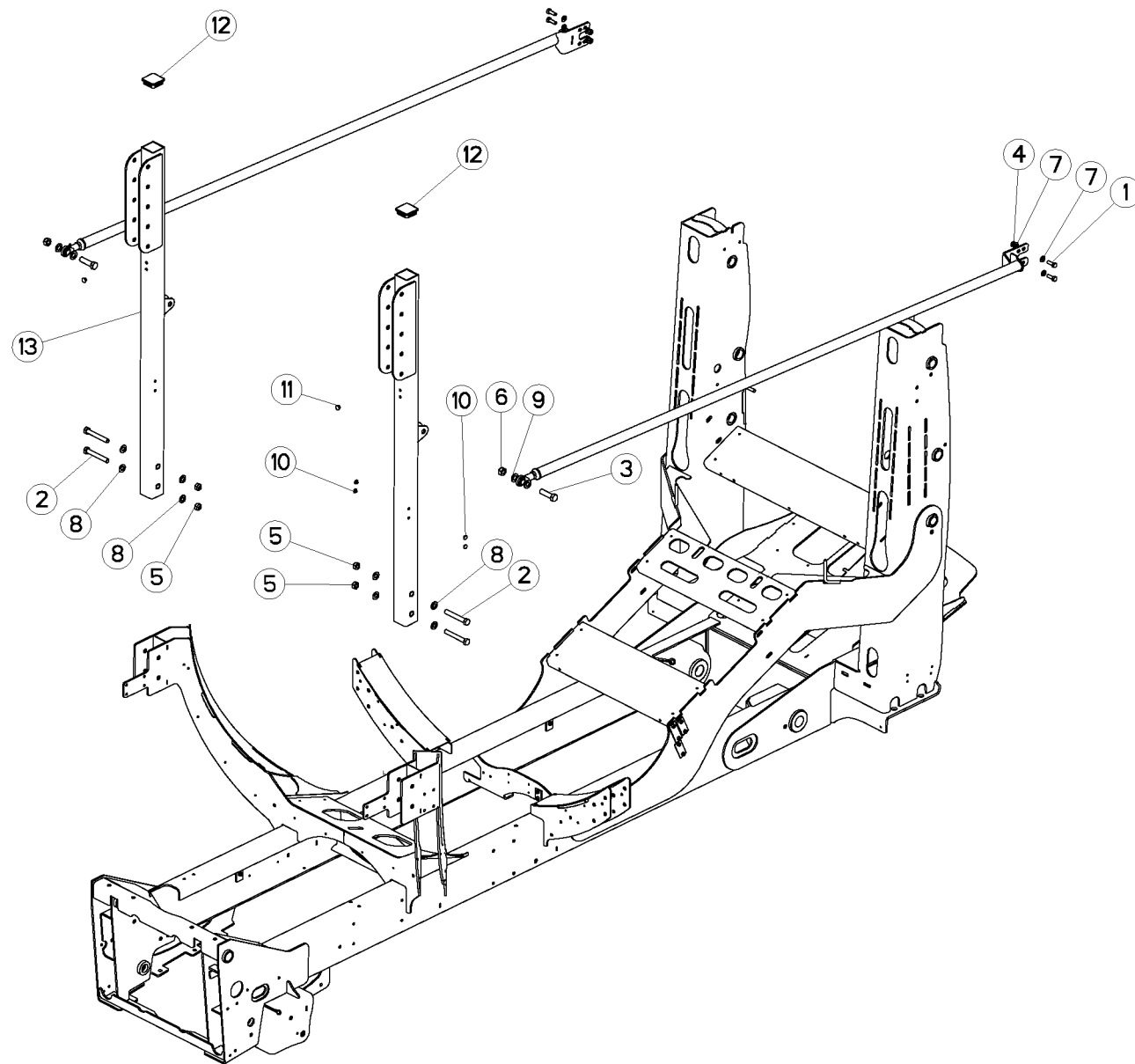
PLATEAU RHPA TR4 RHA3

FLANGE RHPA TR4 RHA3

FLANSCH RHPA TR4 RHA3

FLANGIA RHPA TR4 RHA3

Rep	Nr	Qt	Designation	Description	Bezeichnung	Referenza	Remarque - Remark - Bemerkung - Osservazioni
001	80060828	001	VIS TETE HEXAGONALE INOX	HEXAGON HEAD SCREW INOX	SECHSKANTSCHRAUBE INOX	VITE A TESTA ESAGONALE INOX	
002	80110825	016	VIS TETE FRAI.SIX P.CRE.INOX	HEX.SOCK.COUNT.HEAD SCREW INOX	SENKSCHAUB.INNENSECHSK.INOX	VITE INOX	
003	80190825	004	VIS T.CY.BOMB.SIX P.C.INOX				
004	80200831	021	ECROU HEXAG.AUTOFREINE INOX	SELF-LOCKING NUT INOX	SELBSTSICHERNDE MUTTER INOX	DADO AUTOBLOCCANTE INOX	
005	80250800	026	RONDELLE PLATE INOX A2	PLAIN WASHER INOX A2	SCHEIBE INOX A2	RONDELLA PIATTALA INOX A2	
006	G0860638	004	PLAQUE	PLATE	PLATTE	PIASTRA	
007	G0860645	001	BROCHE	PIN, HITCH	ACHSE	PERNO	
008	G4000970	001	PLATEAU	FLANGE	FLANSCH	FLANGIA	
009	G4103740	002	BUTEE	STOP	ANSCHLAG	LIMITATORE	





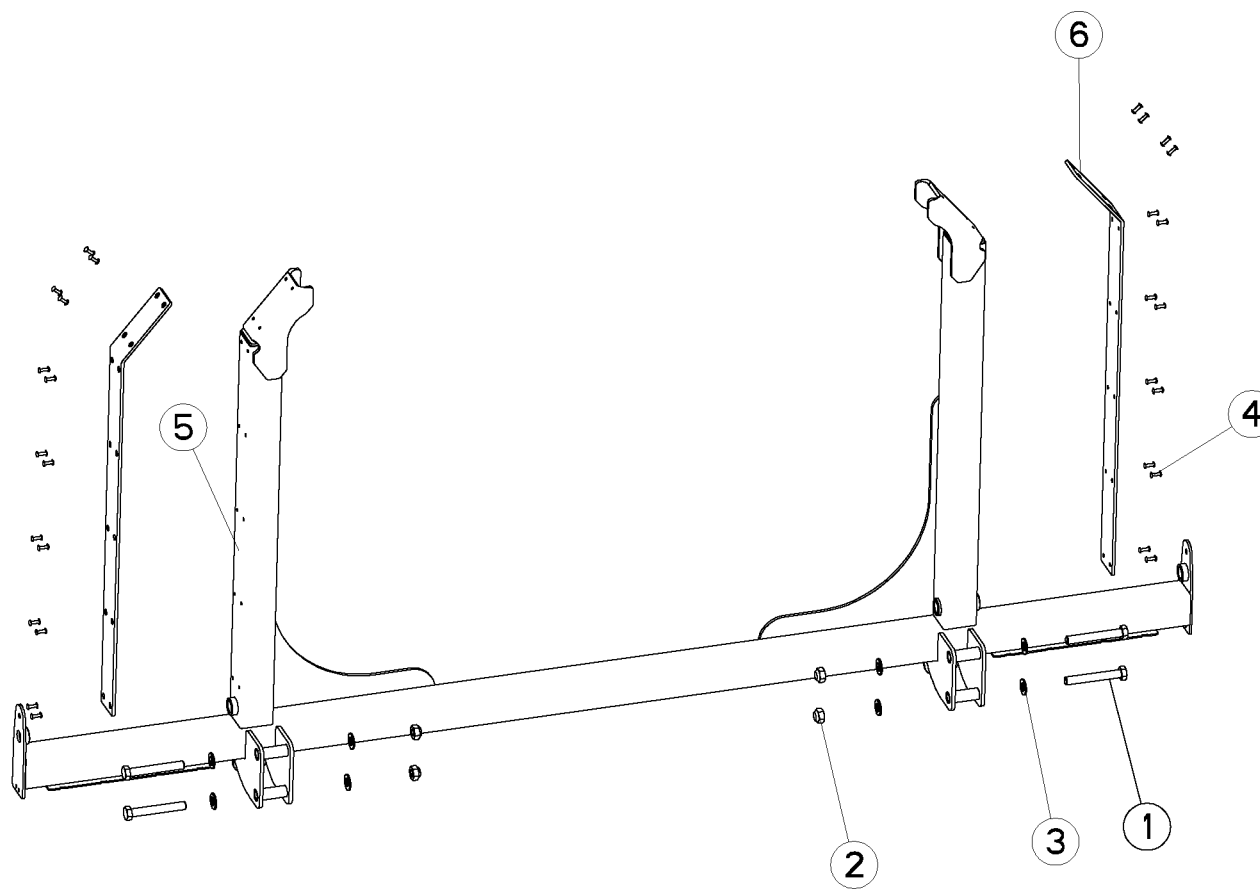
SUPPORT TRAVERSE

SUPPORT CROSSBAR

HALTERUNG QUERTRÄGER

SUPPORTO TRAVERSA

Rep	Nr	Qt	Designation	Description	Bezeichnung	Referenza	Remarque - Remark - Bemerkung - Osservazioni
001	80061031	004	VIS TETE HEXAGONALE INOX	HEXAGON HEAD SCREW INOX	SECHSKANTSCHRAUBE INOX	VITE A TESTA ESAGONALE INOX	
002	80061498	004	VIS TETE HEXAGONALE INOX	HEXAGON HEAD SCREW INOX	SECHSKANTSCHRAUBE INOX	VITE A TESTA ESAGONALE INOX	
003	80061602	002	VIS TETE HEXAGONALE INOX	HEXAGON HEAD SCREW INOX	SECHSKANTSCHRAUBE INOX	VITE A TESTA ESAGONALE INOX	
004	80201049	004	ECROU HEX.BAS AUTOFR.INOX	SELF-LOCKING NUT INOX	SELBSTSICHERNDE MUTTER INOX	DADO AUTOBLOCCANTE INOX	
005	80201431	004	ECROU HEX.BAS AUTOFR.INOX	SELF-LOCKING NUT INOX	SELBSTSICHERNDE MUTTER INOX	DADO AUTOBLOCCANTE INOX	
006	80201631	002	ECROU HEX.BAS AUTOFR.INOX	SELF-LOCKING NUT INOX	SELBSTSICHERNDE MUTTER INOX	DADO AUTOBLOCCANTE INOX	
007	80251005	008	RONDELLE PLATE INOX A2	PLAIN WASHER INOX A2	SCHEIBE INOX A2	RONDELLA PIATTALA INOX A2	
008	80251400	008	RONDELLE PLATE INOX A2	PLAIN WASHER INOX A2	SCHEIBE INOX A2	RONDELLA PIATTALA INOX A2	
009	80251601	004	RONDELLE PLATE INOX A2	PLAIN WASHER INOX A2	SCHEIBE INOX A2	RONDELLA PIATTALA INOX A2	
010	83040065	004	BOUCHON D'OBTURATION	END PLUG	VERSCHLUSSSTOPFEN	TAPPO DI CHIUSURA	
011	83040071	002	BOUCHON D'OBTURATION	END PLUG	VERSCHLUSSSTOPFEN	TAPPO DI CHIUSURA	
012	83040248	002	BOUCHON D'OBTURATION	END PLUG	VERSCHLUSSSTOPFEN	TAPPO DI CHIUSURA	
013	G4001380	002	SUPPORT	SUPPORT	TRAEGER	SUPPORTO	





METRIS

G40R0168 A

TRAVERSE RHA3 BRAS COMPLET

CROSSBAR RHA3 BRAS COMPLET

QUERTRÄGER RHA3 BRAS COMPLET

TRAVERSA RHA3 BRAS COMPLET

Rep	Nr	Qt	Designation	Description	Bezeichnung	Referenza	Remarque - Remark - Bemerkung - Osservazioni
001	80061498	004	VIS TETE HEXAGONALE INOX	HEXAGON HEAD SCREW INOX	SECHSKANTSCHRAUBE INOX	VITE A TESTA ESAGONALE INOX	
002	80201431	004	ECROU HEX.BAS AUTOFR.INOX	SELF-LOCKING NUT INOX	SELBSTSICHERNDE MUTTER INOX	DADO AUTOBLOCCANTE INOX	
003	80251400	008	RONDELLE PLATE INOX A2	PLAIN WASHER INOX A2	SCHEIBE INOX A2	RONDELLA PIATTALA INOX A2	
004	80370405	028	RIVET AVEUGLE CLOU TP	RIVET	NIETE	RIVETTO	
005	G4001270	001	TRAVERSE	TUBE, CROSS	QUERTRAEGER	TRAVERSA	
006	G4103850	002	PLAQUE	PLATE	PLATTE	PIASTRA	



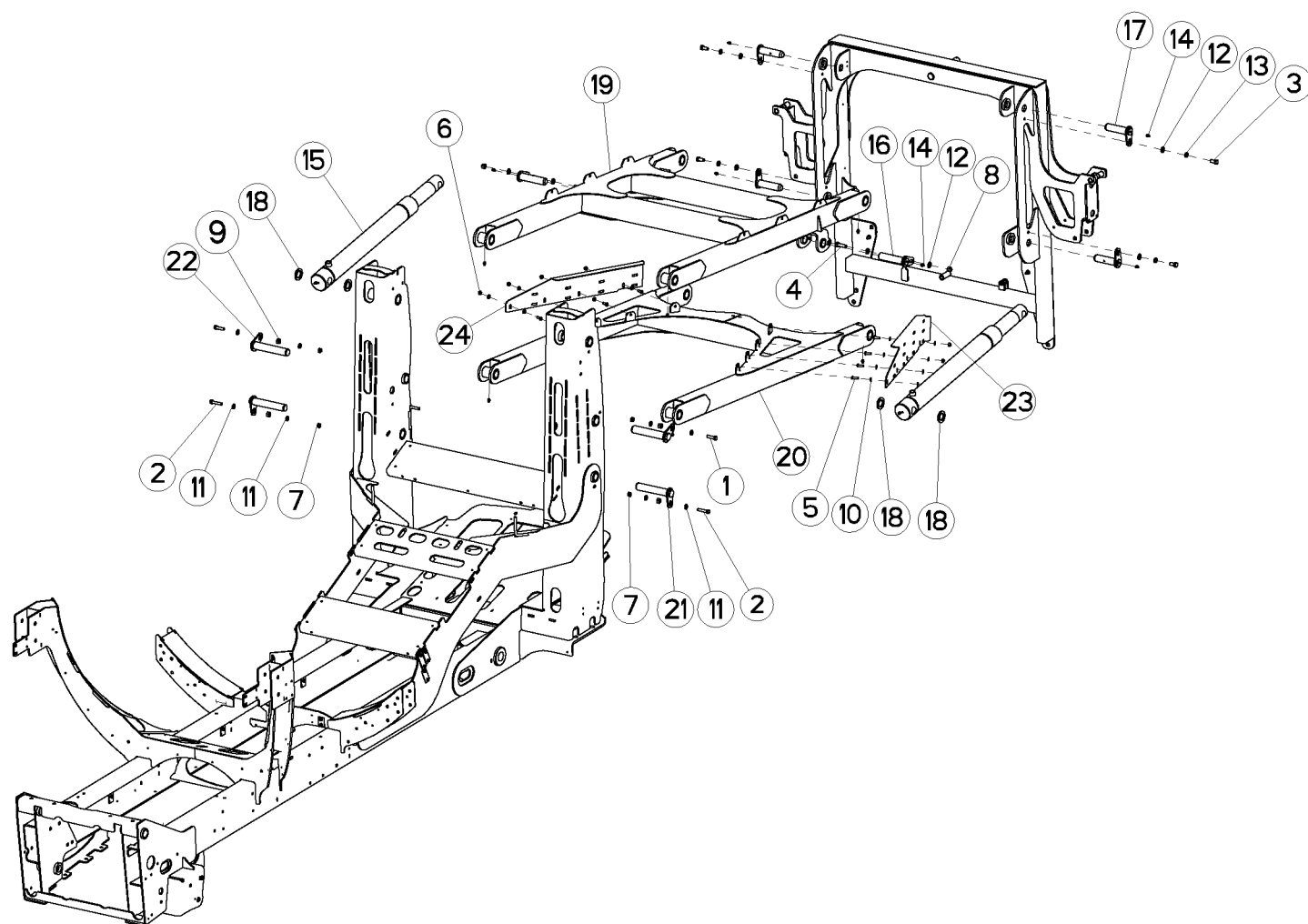
PARALLELOGRAMME X TR4 RBA

PARALLELOGRAM X TR4 RBA

PARALLELOGRAMM X TR4 RBA

PARALLELOGRAMMA X TR4 RBA

Rep	Nr	Qt	Designation	Description	Bezeichnung	Referenza	Remarque - Remark - Bemerkung - Osservazioni
001	80061043	002	VIS TETE HEXAGONALE INOX	HEXAGON HEAD SCREW INOX	SECHSKANTSCHRAUBE INOX	VITE A TESTA ESAGONALE INOX	
002	80061048	002	VIS TETE HEXAGONALE INOX	HEXAGON HEAD SCREW INOX	SECHSKANTSCHRAUBE INOX	VITE A TESTA ESAGONALE INOX	
003	80061226	004	VIS TETE HEXAGONALE INOX	HEXAGON HEAD SCREW INOX	SECHSKANTSCHRAUBE INOX	VITE A TESTA ESAGONALE INOX	
004	80061247	002	VIS TETE HEXAGONALE INOX	HEXAGON HEAD SCREW INOX	SECHSKANTSCHRAUBE INOX	VITE A TESTA ESAGONALE INOX	
005	80190825	008	VIS T.CY.BOMB.SIX P.C.INOX				
006	80200831	008	ECROU HEXAG.AUTOFREINE INOX	SELF-LOCKING NUT INOX	SELBSTSICHERNDE MUTTER INOX	DADO AUTOBLOCCANTE INOX	
007	80201049	004	ECROU HEX.BAS AUTOFR.INOX	SELF-LOCKING NUT INOX	SELBSTSICHERNDE MUTTER INOX	DADO AUTOBLOCCANTE INOX	
008	80201231	002	ECROU HEXAG.AUTOFREINE INOX	SELF-LOCKING NUT INOX	SELBSTSICHERNDE MUTTER INOX	DADO AUTOBLOCCANTE INOX	
009	80201272	004	ECROU HEXAGONAL INOX	HEXAGON NUT INOX	SECHSKANTMUTTER INOX	DADO INOX	
010	80250800	016	RONDELLE PLATE INOX A2	PLAIN WASHER INOX A2	SCHEIBE INOX A2	RONDELLA PIATTALA INOX A2	
011	80251005	008	RONDELLE PLATE INOX A2	PLAIN WASHER INOX A2	SCHEIBE INOX A2	RONDELLA PIATTALA INOX A2	
012	80251200	008	RONDELLE PLATE INOX A2	PLAIN WASHER INOX A2	SCHEIBE INOX A2	RONDELLA PIATTALA INOX A2	
013	80271283	004	RONDELLE GROWER INOX A2	WASHER, SPRING LOCK INOX A2	FEDERRING INOX A2	RONDELLA GROWER INOX A2	
014	82200800	016	GRAISSEUR FE/ZNXC3	GREASE NIPPLE FE/ZNXC3	SCHMIERNIPPEL FE/ZNXC3	INGRASSATORE FE/ZNXC3	
015	G0235090	002	VERIN	CYLINDER, HYDRAULIC	HYDRAULIKZYLINDER	CILINDRO	
016	G0860890	002	BROCHE	PIN, HITCH	ACHSE	PERNO	
017	G0860898	004	BROCHE	PIN, HITCH	ACHSE	PERNO	
018	G0861595	004	ENTRETOISE	SPACER	DISTANZHUELSE	DISTANZIALE	
019	G4001850	001	BIELLETTTE	LINK	SHUBSTANGE		
020	G4003200	001	BIELLETTTE	LINK	SHUBSTANGE		
021	G4004730	002	BROCHE	PIN, HITCH	ACHSE	PERNO	
022	G4004740	002	BROCHE	PIN, HITCH	ACHSE	PERNO	
023	G4104960	001	CACHE	COVER	SCHUTZ	PROTEZIONE	
024	G4104970	001	CACHE	COVER	SCHUTZ	PROTEZIONE	





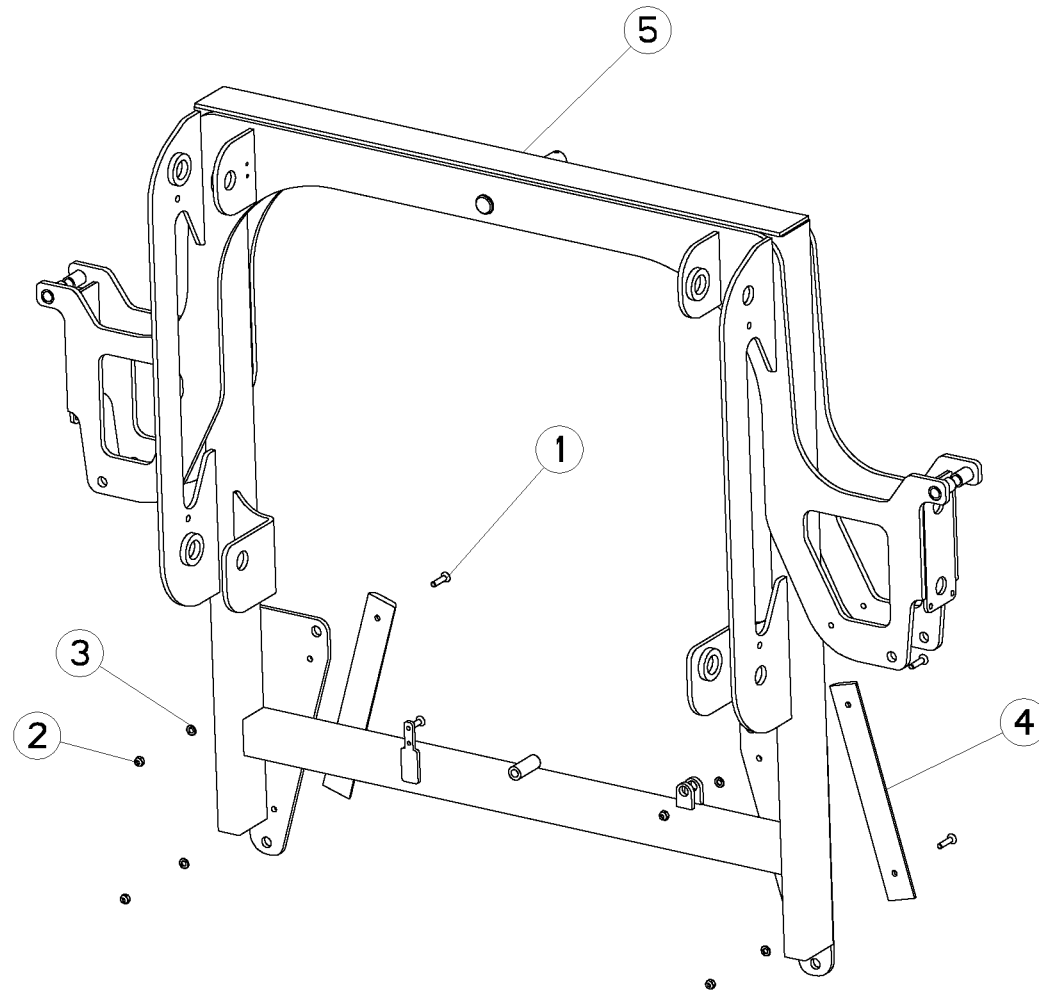
PARALLELOGRAMME H RBA TR4

PARALLELOGRAM H RBA TR4

PARALLELOGRAMM H RBA TR4

PARALLELOGRAMMA H RBA TR4

Rep	Nr	Qt	Designation	Description	Bezeichnung	Referenza	Remarque - Remark - Bemerkung - Osservazioni
001	80061043	002	VIS TETE HEXAGONALE INOX	HEXAGON HEAD SCREW INOX	SECHSKANTSCHRAUBE INOX	VITE A TESTA ESAGONALE INOX	
002	80061048	002	VIS TETE HEXAGONALE INOX	HEXAGON HEAD SCREW INOX	SECHSKANTSCHRAUBE INOX	VITE A TESTA ESAGONALE INOX	
003	80061226	004	VIS TETE HEXAGONALE INOX	HEXAGON HEAD SCREW INOX	SECHSKANTSCHRAUBE INOX	VITE A TESTA ESAGONALE INOX	
004	80061247	003	VIS TETE HEXAGONALE INOX	HEXAGON HEAD SCREW INOX	SECHSKANTSCHRAUBE INOX	VITE A TESTA ESAGONALE INOX	
005	80190825	008	VIS T.CY.BOMB.SIX P.C.INOX				
006	80200831	008	ECROU HEXAG.AUTOFREINE INOX	SELF-LOCKING NUT INOX	SELBSTSICHERNDE MUTTER INOX	DADO AUTOBLOCCANTE INOX	
007	80201049	004	ECROU HEX.BAS AUTOFR.INOX	SELF-LOCKING NUT INOX	SELBSTSICHERNDE MUTTER INOX	DADO AUTOBLOCCANTE INOX	
008	80201231	002	ECROU HEXAG.AUTOFREINE INOX	SELF-LOCKING NUT INOX	SELBSTSICHERNDE MUTTER INOX	DADO AUTOBLOCCANTE INOX	
009	80201272	004	ECROU HEXAGONAL INOX	HEXAGON NUT INOX	SECHSKANTMUTTER INOX	DADO INOX	
010	80250800	016	RONDELLE PLATE INOX A2	PLAIN WASHER INOX A2	SCHEIBE INOX A2	RONDELLA PIATTALA INOX A2	
011	80251005	008	RONDELLE PLATE INOX A2	PLAIN WASHER INOX A2	SCHEIBE INOX A2	RONDELLA PIATTALA INOX A2	
012	80251200	008	RONDELLE PLATE INOX A2	PLAIN WASHER INOX A2	SCHEIBE INOX A2	RONDELLA PIATTALA INOX A2	
013	80271283	004	RONDELLE GROWER INOX A2	WASHER, SPRING LOCK INOX A2	FEDERRING INOX A2	RONDELLA GROWER INOX A2	
014	82200800	018	GRAISSEUR FE/ZNXC3	GREASE NIPPLE FE/ZNXC3	SCHMIERNIPPEL FE/ZNXC3	INGRASSATORE FE/ZNXC3	
015	G0235090	002	VERIN	CYLINDER, HYDRAULIC	HYDRAULIKZYLINDER	CILINDRO	
016	G0860890	002	BROCHE	PIN, HITCH	ACHSE	PERNO	
017	G0860898	004	BROCHE	PIN, HITCH	ACHSE	PERNO	
018	G0861595	004	ENTRETOISE	SPACER	DISTANZHUELSE	DISTANZIALE	
019	G4001850	001	BIELLETTTE	LINK	SHUBSTANGE		
020	G4003210	001	BIELLETTTE	LINK	SHUBSTANGE		
021	G4004730	002	BROCHE	PIN, HITCH	ACHSE	PERNO	
022	G4004740	002	BROCHE	PIN, HITCH	ACHSE	PERNO	
023	G4104960	001	CACHE	COVER	SCHUTZ	PROTEZIONE	
024	G4104970	001	CACHE	COVER	SCHUTZ	PROTEZIONE	





METRIS

G40R0273 A

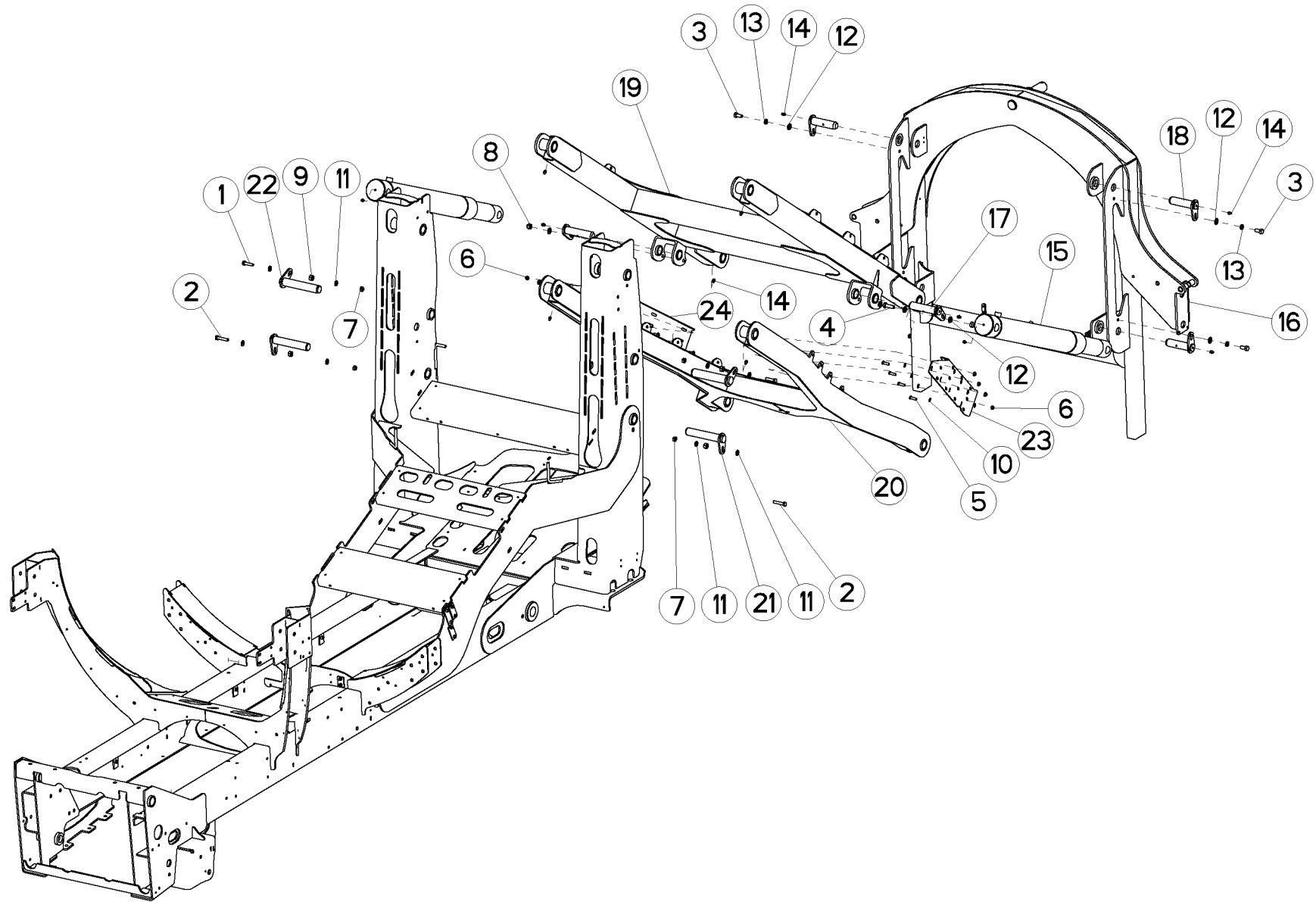
CADRE RBA TR4 OC ACIER

FRAME RBA TR4 OC STEEL

RAHMEN RBA TR4 OC STAHL

STRUTTURA RBA TR4 OC ACCIAIO

Rep	Nr	Qt	Designation	Description	Bezeichnung	Referenza	Remarque - Remark - Bemerkung - Osservazioni
001	80110837	004	VIS T.FRAI.SIX P.CREUX INOX	SCREW, FLAT HEAD INOX	SENKSCHRAUB.INNENSECHS.INOX	VITE FHC/90 INOX	
002	80200831	004	ECROU HEXAG.AUTOFREINE INOX	SELF-LOCKING NUT INOX	SELBSTSICHERNDE MUTTER INOX	DADO AUTOBLOCCANTE INOX	
003	80250800	004	RONDELLE PLATE INOX A2	PLAIN WASHER INOX A2	SCHEIBE INOX A2	RONDELLA PIATTALA INOX A2	
004	G0769197	002	BUTEE	STOP	ANSCHLAG	LIMITATORE	
005	G0855910	001	CADRE	FRAME	RAHMEN	TELAIO	





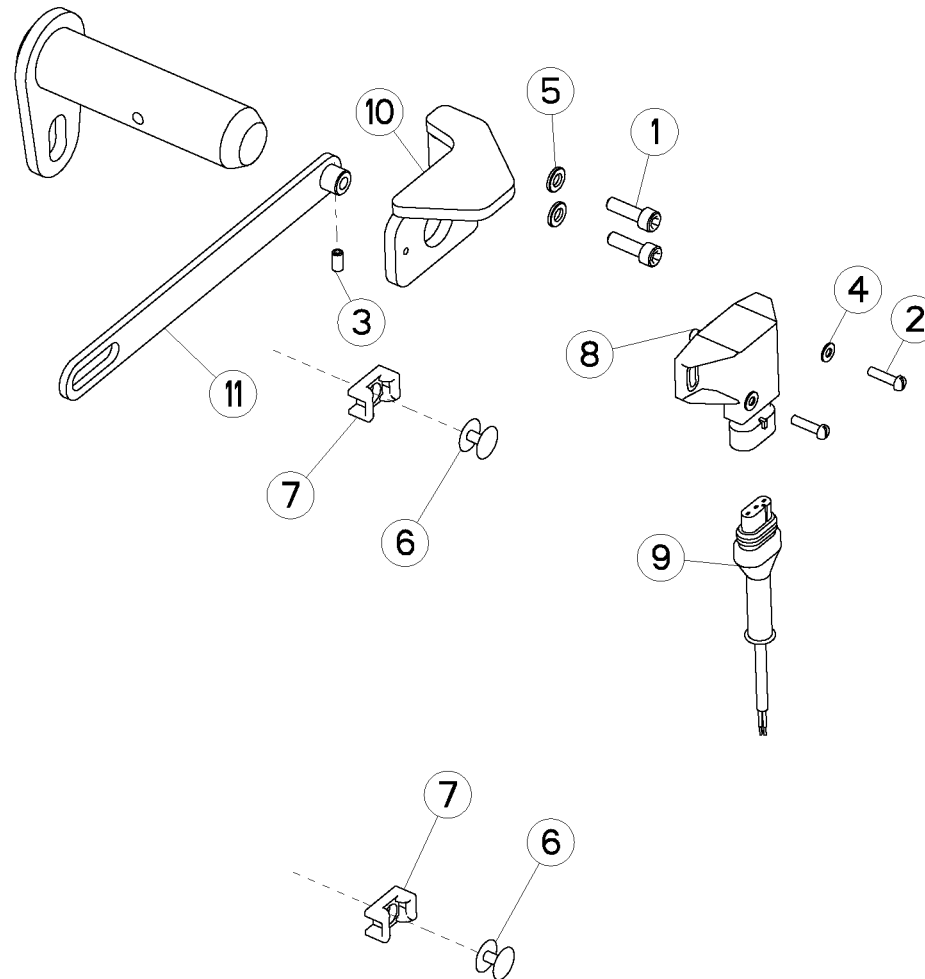
PARALLELOGRAMME X RHA3

PARALLELOGRAM X RHA3

PARALLELOGRAMM X RHA3

PARALLELOGRAMMA X RHA3

Rep	Nr	Qt	Designation	Description	Bezeichnung	Referenza	Remarque - Remark - Bemerkung - Osservazioni
001	80061043	002	VIS TETE HEXAGONALE INOX	HEXAGON HEAD SCREW INOX	SECHSKANTSCHRAUBE INOX	VITE A TESTA ESAGONALE INOX	
002	80061048	002	VIS TETE HEXAGONALE INOX	HEXAGON HEAD SCREW INOX	SECHSKANTSCHRAUBE INOX	VITE A TESTA ESAGONALE INOX	
003	80061226	004	VIS TETE HEXAGONALE INOX	HEXAGON HEAD SCREW INOX	SECHSKANTSCHRAUBE INOX	VITE A TESTA ESAGONALE INOX	
004	80061247	002	VIS TETE HEXAGONALE INOX	HEXAGON HEAD SCREW INOX	SECHSKANTSCHRAUBE INOX	VITE A TESTA ESAGONALE INOX	
005	80190825	008	VIS T.CY.BOMB.SIX P.C.INOX				
006	80200831	008	ECROU HEXAG.AUTOFREINE INOX	SELF-LOCKING NUT INOX	SELBSTSICHERNDE MUTTER INOX	DADO AUTOBLOCCANTE INOX	
007	80201049	004	ECROU HEX.BAS AUTOFR.INOX	SELF-LOCKING NUT INOX	SELBSTSICHERNDE MUTTER INOX	DADO AUTOBLOCCANTE INOX	
008	80201231	002	ECROU HEXAG.AUTOFREINE INOX	SELF-LOCKING NUT INOX	SELBSTSICHERNDE MUTTER INOX	DADO AUTOBLOCCANTE INOX	
009	80201272	004	ECROU HEXAGONAL INOX	HEXAGON NUT INOX	SECHSKANTMUTTER INOX	DADO INOX	
010	80250800	016	RONDELLE PLATE INOX A2	PLAIN WASHER INOX A2	SCHEIBE INOX A2	RONDELLA PIATTALA INOX A2	
011	80251005	008	RONDELLE PLATE INOX A2	PLAIN WASHER INOX A2	SCHEIBE INOX A2	RONDELLA PIATTALA INOX A2	
012	80251200	008	RONDELLE PLATE INOX A2	PLAIN WASHER INOX A2	SCHEIBE INOX A2	RONDELLA PIATTALA INOX A2	
013	80271283	004	RONDELLE GROWER INOX A2	WASHER, SPRING LOCK INOX A2	FEDERRING INOX A2	RONDELLA GROWER INOX A2	
014	82200800	014	GRAISSEUR FE/ZNXC3	GREASE NIPPLE FE/ZNXC3	SCHMIERNIPPEL FE/ZNXC3	INGRASSATORE FE/ZNXC3	
015	G0235050	002	VERIN	CYLINDER, HYDRAULIC	HYDRAULIKZYLINDER	CILINDRO	
016	G0855710	001	CADRE	FRAME	RAHMEN	TELAIO	
017	G0860890	002	BROCHE	PIN, HITCH	ACHSE	PERNO	
018	G0860898	004	BROCHE	PIN, HITCH	ACHSE	PERNO	
019	G4001850	001	BIELLETTTE	LINK	SHUBSTANGE		
020	G4003200	001	BIELLETTTE	LINK	SHUBSTANGE		
021	G4004730	002	BROCHE	PIN, HITCH	ACHSE	PERNO	
022	G4004740	002	BROCHE	PIN, HITCH	ACHSE	PERNO	
023	G4104960	001	CACHE	COVER	SCHUTZ	PROTEZIONE	
024	G4104970	001	CACHE	COVER	SCHUTZ	PROTEZIONE	





METRIS

G40R0181 A

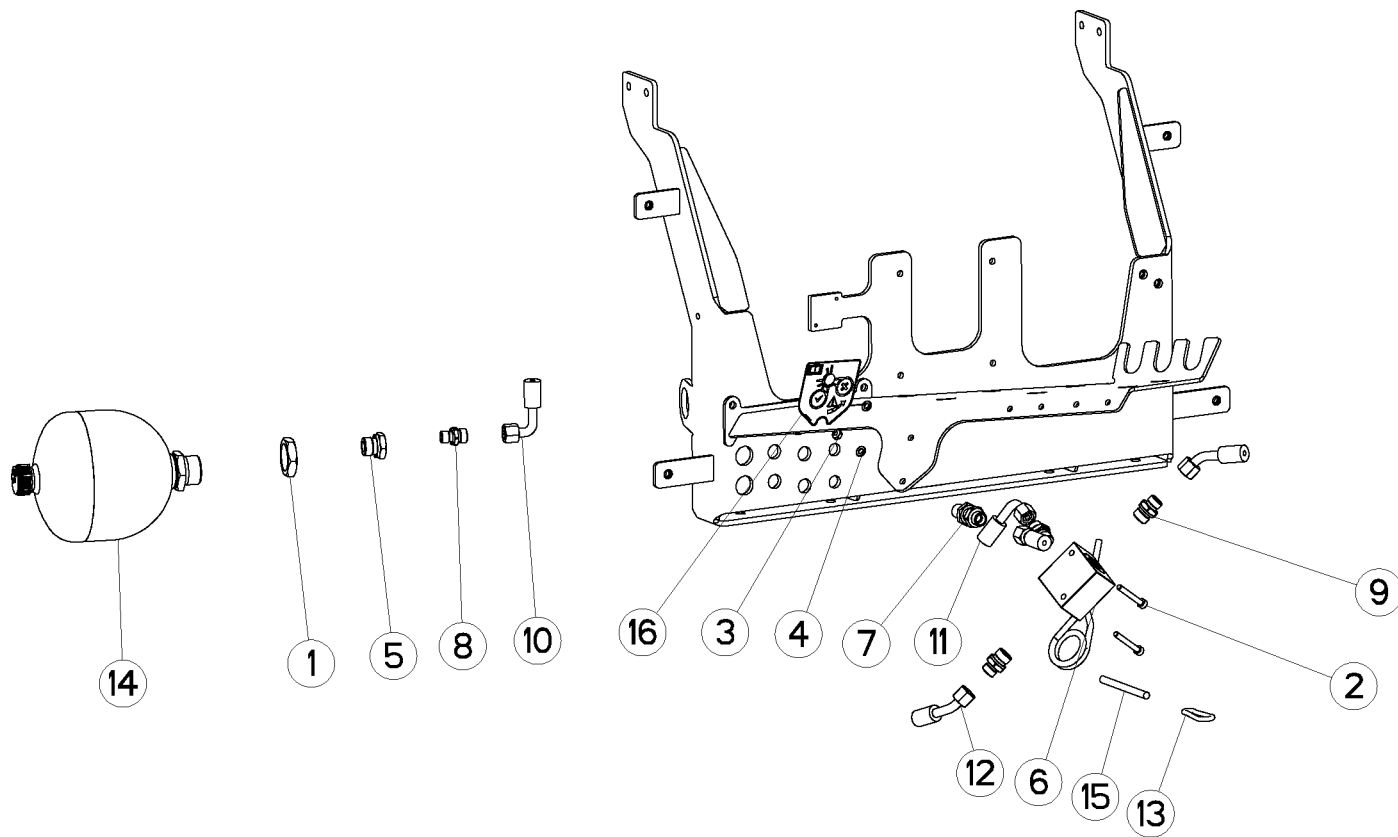
CHASSIS H-MATIC

FRAME H-MATIC

RAHMEN H-MATIC

TELAIO H-MATIC

Rep	Nr	Qt	Designation	Description	Bezeichnung	Referenza	Remarque - Remark - Bemerkung - Osservazioni
001	80080621	002	VIS TETE CYL.SIX P.CRE.INOX	HEAD CAP SCREW	ZYLINDERSCHRAUBE	VITE	
002	80100417	002	VIS TETE CYL.FENDUE INOX	SLOT.CHEES.HEAD SCREW INOX	ZYLINDERSCHAU.SCHLITZ INOX	VITE TESTA CILINDR.INOX	
003	80150510	001	VIS S/TETE B.CUVET.HC INOX	SOCKET SET SCREW INOX	GEWINDESTIFT RINGSCHNEI.INOX		
004	80250410	002	RONDELLE PLATE INOX A2	PLAIN WASHER INOX A2	SCHEIBE INOX A2	RONDELLA PIATTALA INOX A2	
005	80250601	002	RONDELLE PLATE INOX A2	PLAIN WASHER INOX A2	SCHEIBE INOX A2	RONDELLA PIATTALA INOX A2	
006	80370414	002	RIVET AVEUGLE TL ALU	RIVET	NIETE	RIVETTO	
007	83090274	002	EMBASE DE FIXATION A VIS	SELF STIKING CABLE GUIDE	KABELKONSOLE SELBSTKLEBEND	BASAMENTO	
008	G0458365	002	CAPTEUR	SENSOR	SENSOR	SENSORE	
009	G0458394	001	CABLE 5M	CABLE	ELEKTROKABEL	CAVO ELETTRICO	
010	G0850196	001	CAPTEUR	SENSOR	SENSOR	SENSORE	
011	G0850199	001	BIELLETTTE	LINK	SHUBSTANGE		





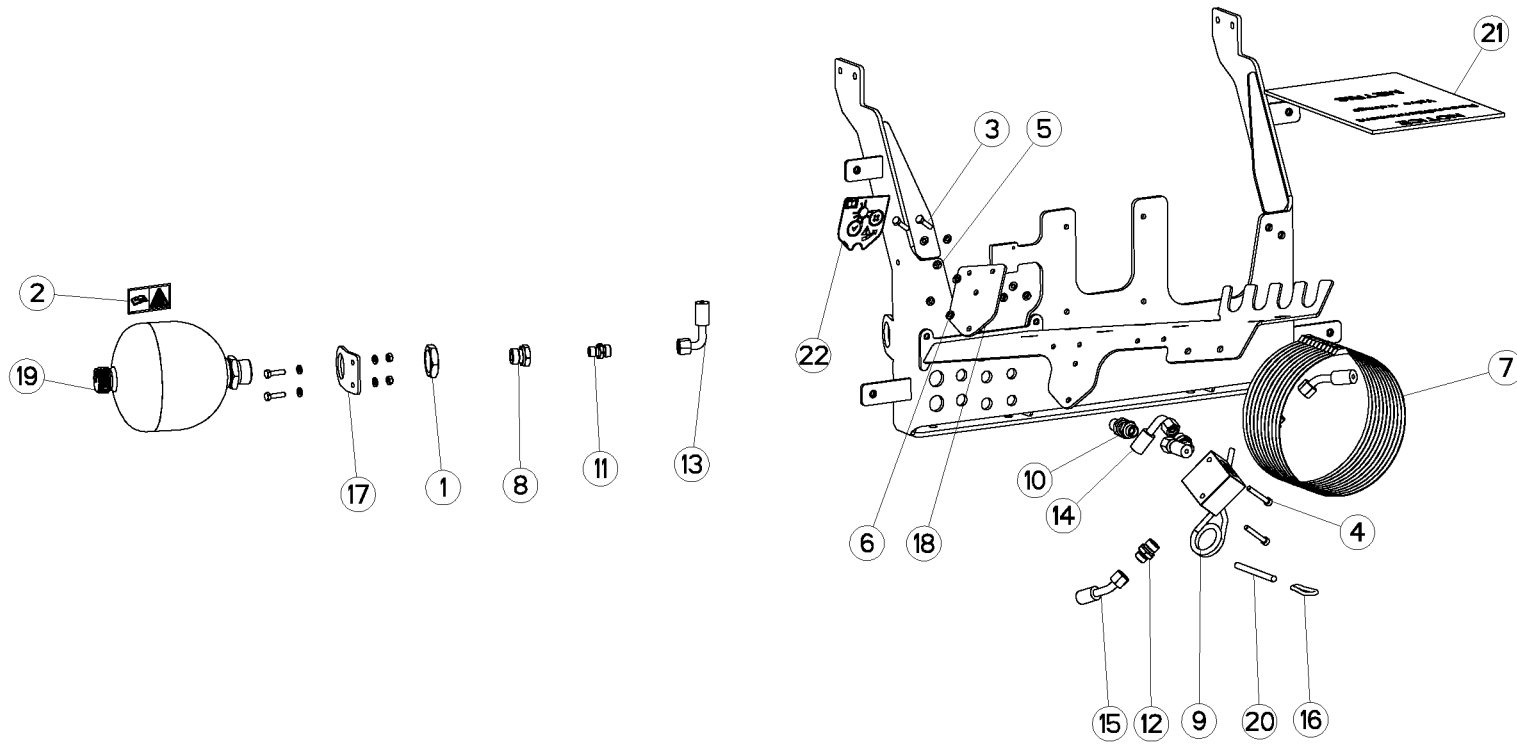
FREINS SECURITE

BRAKES SAFETY

BREMSEN SICHERHEIT

FRENI SICUREZZA

Rep	Nr	Qt	Designation	Description	Bezeichnung	Referenza	Remarque - Remark - Bemerkung - Osservazioni
001	50072300	001	ECROU EXTRA-PLAT FE/ZNXC3	HEXAGON THIN NUT FE/ZNXC3	FLACHE SECHSKANTMUTTER	DADO	
002	59901300	001	PICTOGR.H DANGER ACCUMULAT	PICTORIAL H DANGER ACCUMULATOR	PIKTOGR.H GEFAHR HYDROSPEICHER	ADESIVO	
003	80080646	002	VIS TETE CYL.SIX P.CRE.INOX	HEX.SOCKET HEAD CAP SCREW INOX	ZYLINDERSCHR.INNENSECHSK.INOX	VITE A TESTA CILINDRICA INOX	
004	80200631	002	ECROU HEX.BAS AUTOFR.INOX	SELF-LOCKING NUT INOX	SELBSTSICHERNDE MUTTER INOX	DADO AUTOBLOCCANTE INOX	
005	80250601	002	RONDELLE PLATE INOX A2	PLAIN WASHER INOX A2	SCHEIBE INOX A2	RONDELLA PIATTALA INOX A2	
006	A4060668	001	ADAPTATEUR M1/2 F1/4 FE/ZNNI	FITTING, HYDRAULIC, ADAPTER	ANBAUELEMENT	ADATTATORE	
007	A4071365	001	VALVE	VALVE	VENTIL	VALVOLA	
008	A4080320	001	UNION DOUBLE/CLOISON FE/ZNNI	BULKHEAD UNION	VERBINDUNGSNIPEL	CONNETTORE	
009	A4082418	001	UNION MALE FE/ZNNI	FITTING, HYDRAULIC, UNION	VERBINDUNG	CONNETTORE	
010	A4082420	003	UNION	FITTING, HYDRAULIC, UNION	VERBINDUNG	CONNETTORE	
011	A4921166	001	FLEXIBLE	HOSE, HYDRAULIC	HYDRAULIKSCHLAUCH	TUBO IN GOMMA	<->500 mm
012	A4921167	001	FLEXIBLE	HOSE, HYDRAULIC	HYDRAULIKSCHLAUCH	TUBO IN GOMMA	<->300 mm
013	A4921168	001	FLEXIBLE	HOSE, HYDRAULIC	HYDRAULIKSCHLAUCH	TUBO IN GOMMA	<->300 mm
014	G0457900	001	MOUSQUETON	LINK, SNAP	KARABINERHAKEN	MOSCHETTONE	
015	G9000770	001	ACCUMULATEUR HYDRO-PNEUMATIQUE	ACCUMULATOR	DRUCKSPEICHER	ACCUMULATORE	
016	G9000780	001	CORDE	ROPE			
017	K9C171TL	001	PICTO.T	DECAL	PIKTO.T	ADESIVO	





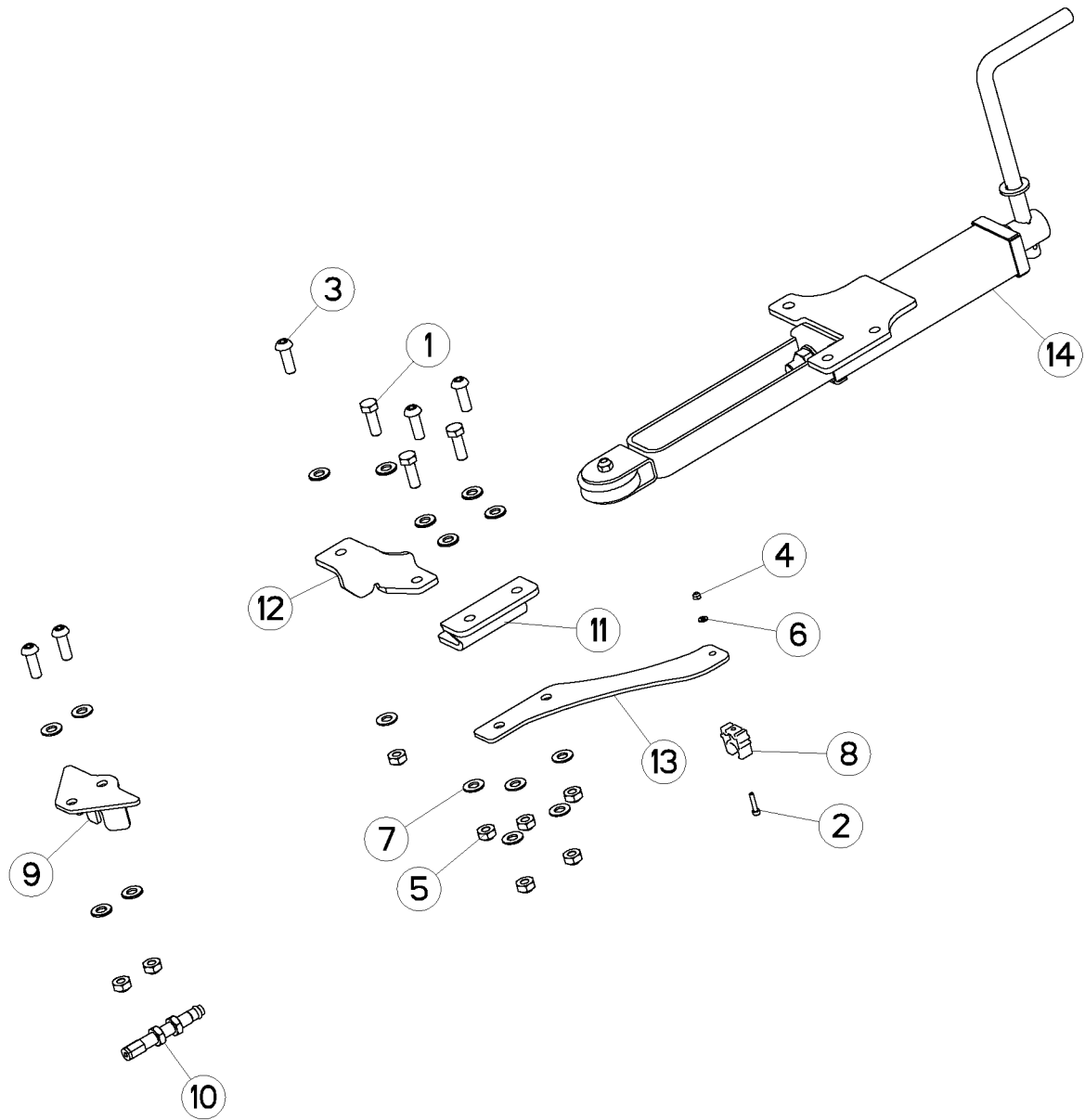
FREINS SECURITE

BRAKES SAFETY

BREMSEN SICHERHEIT

FRENI SICUREZZA

Rep	Nr	Qt	Designation	Description	Bezeichnung	Referenza	Remarque - Remark - Bemerkung - Osservazioni
001	50072300	001	ECROU EXTRA-PLAT FE/ZNXC3	HEXAGON THIN NUT FE/ZNXC3	FLACHE SECHSKANTMUTTER	DADO	
002	59901300	001	PICTOGR.H DANGER ACCUMULAT	PICTORIAL H DANGER ACCUMULATOR	PIKTOGR.H GEFAHR HYDROSPEICHER	ADESIVO	
003	80060626	004	VIS TETE HEXAGONALE INOX	HEXAGON HEAD SCREW INOX	SECHSKANTSCHRAUBE INOX	VITE A TESTA ESAGONALE INOX	
004	80080646	002	VIS TETE CYL.SIX P.CRE.INOX	HEX.SOCKET HEAD CAP SCREW INOX	ZYLINDERSCHR.INNENSECHSK.INOX	VITE A TESTA CILINDRICA INOX	
005	80200631	006	ECROU HEX.BAS AUTOFR.INOX	SELF-LOCKING NUT INOX	SELBSTSICHERNDE MUTTER INOX	DADO AUTOBLOCCANTE INOX	
006	80250601	010	RONDELLE PLATE INOX A2	PLAIN WASHER INOX A2	SCHEIBE INOX A2	RONDELLA PIATTALA INOX A2	
007	83090040	010	COLLIER PLASTIQUE	CABLE TIE PLASTIC	KABELBINDER PLASTIK	FASCETTA	
008	A4060668	001	ADAPTATEUR M1/2 F1/4 FE/ZNNI	FITTING, HYDRAULIC, ADAPTER	ANBAUELEMENT	ADATTATORE	
009	A4071365	001	VALVE	VALVE	VENTIL	VALVOLA	
010	A4080320	001	UNION DOUBLE/CLOISON FE/ZNNI	BULKHEAD UNION	VERBINDUNGSNIPEL	CONNETTORE	
011	A4082418	001	UNION MALE FE/ZNNI	FITTING, HYDRAULIC, UNION	VERBINDUNG	CONNETTORE	
012	A4082420	003	UNION	FITTING, HYDRAULIC, UNION	VERBINDUNG	CONNETTORE	
013	A4921166	001	FLEXIBLE	HOSE, HYDRAULIC	HYDRAULIKSCHLAUCH	TUBO IN GOMMA	<->500 mm
014	A4921167	001	FLEXIBLE	HOSE, HYDRAULIC	HYDRAULIKSCHLAUCH	TUBO IN GOMMA	<->300 mm
015	A4921168	001	FLEXIBLE	HOSE, HYDRAULIC	HYDRAULIKSCHLAUCH	TUBO IN GOMMA	<->300 mm
016	G0457900	001	MOUSQUETON	LINK, SNAP	KARABINERHAKEN	MOSCHETTONE	
017	G4105190	001	SUPPORT	SUPPORT	TRAEGER	SUPPORTO	
018	G4105200	001	SUPPORT	SUPPORT	TRAEGER	SUPPORTO	
019	G9000770	001	ACCUMULATEUR HYDRO-PNEUMATIQUE	ACCUMULATOR	DRUCKSPEICHER	ACCUMULATORE	
020	G9000780	001	CORDE	ROPE			
021	GV0003TL	001	NOTICE D'INTER.G4003390	ASSEMBLY INSTRUCTIONS	MONTAGEANLEITUNG		
022	K9C171TL	001	PICTO.T	DECAL	PIKTO.T	ADESIVO	





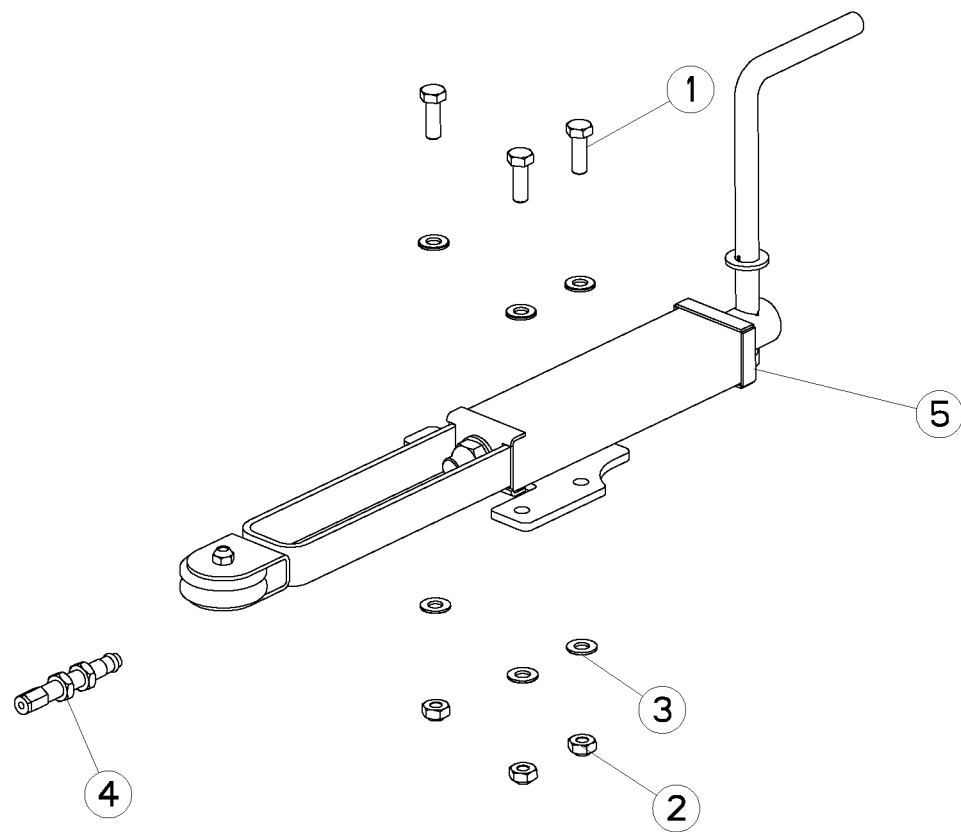
FREINS METRIS

BRAKES METRIS

BREMSSEN METRIS

FRENI METRIS

Rep	Nr	Qt	Designation	Description	Bezeichnung	Referenza	Remarque - Remark - Bemerkung - Osservazioni
001	80061031	003	VIS TETE HEXAGONALE INOX	HEXAGON HEAD SCREW INOX	SECHSKANTSCHRAUBE INOX	VITE A TESTA ESAGONALE INOX	
002	80080421	001	VIS TETE CYL.SIX P.CRE.INOX	HEX.SOCKET HEAD CAP SCREW INOX	ZYLINDERSCHR.INNENSECHSK.INOX	VITE A TESTA CILINDRICA INOX	
003	80191031	005	VIS T.CY.BOMB.SIX P.C.INOX				
004	80200441	001	ECROU HEX.BAS AUTOFR.INOX	SELF-LOCKING NUT INOX	SELBSTSICHERNDE MUTTER INOX	DADO AUTOBLOCCANTE INOX	
005	80201049	008	ECROU HEX.BAS AUTOFR.INOX	SELF-LOCKING NUT INOX	SELBSTSICHERNDE MUTTER INOX	DADO AUTOBLOCCANTE INOX	
006	80250410	001	RONDELLE PLATE INOX A2	PLAIN WASHER INOX A2	SCHEIBE INOX A2	RONDELLA PIATTALA INOX A2	
007	80251005	016	RONDELLE PLATE INOX A2	PLAIN WASHER INOX A2	SCHEIBE INOX A2	RONDELLA PIATTALA INOX A2	
008	G0425906	001	COLLIER	CLAMP, HOSE	SCHLAUCHSCHELLE	COLLARE	
009	G4003140	001	SUPPORT	SUPPORT	TRAEGER	SUPPORTO	
010	G4103550	001	CABLE	WIRE	DRAHTSEIL	CAVO	
011	G4104910	001	SUPPORT	SUPPORT	TRAEGER	SUPPORTO	
012	G4104920	001	SUPPORT	SUPPORT	TRAEGER	SUPPORTO	
013	G4104950	001	SUPPORT	SUPPORT	TRAEGER	SUPPORTO	
014	G9000690	001	FREIN	BRAKE	BREMSE	FRENO	





METRIS

G40R0171 A

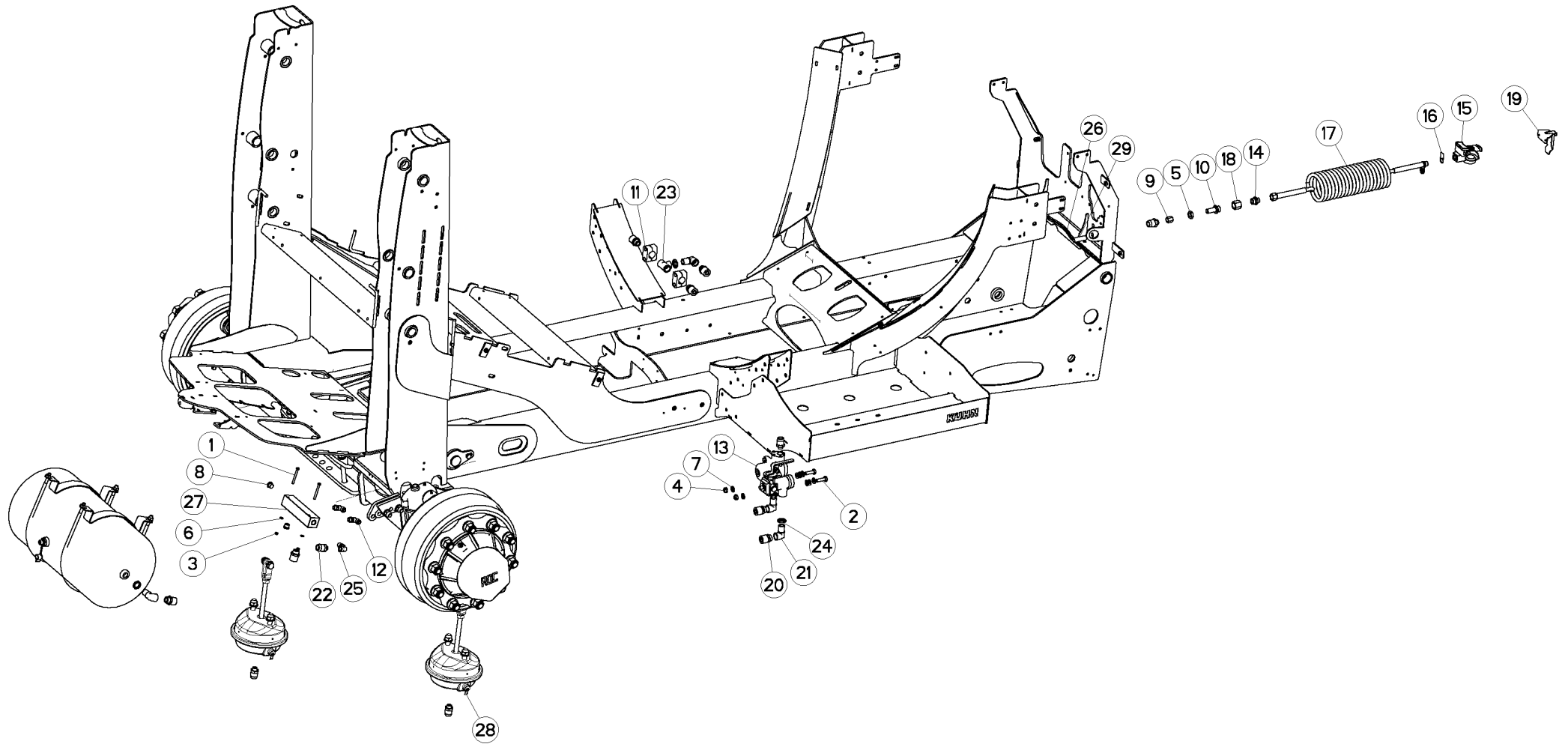
FREIN A MAIN METRIS

HAND BRAKE METRIS

HANDBREMSE METRIS

FRENO A MANO METRIS

Rep	Nr	Qt	Designation	Description	Bezeichnung	Referenza	Remarque - Remark - Bemerkung - Osservazioni
001	80061031	003	VIS TETE HEXAGONALE INOX	HEXAGON HEAD SCREW INOX	SECHSKANTSCHRAUBE INOX	VITE A TESTA ESAGONALE INOX	
002	80201049	003	ECROU HEX.BAS AUTOFR.INOX	SELF-LOCKING NUT INOX	SELBSTSICHERNDE MUTTER INOX	DADO AUTOBLOCCANTE INOX	
003	80251005	006	RONDELLE PLATE INOX A2	PLAIN WASHER INOX A2	SCHEIBE INOX A2	RONDELLA PIATTALA INOX A2	
004	G4103550	001	CABLE	WIRE	DRAHTSEIL	CAVO	
005	G9000690	001	FREIN	BRAKE	BREMSE	FRENO	





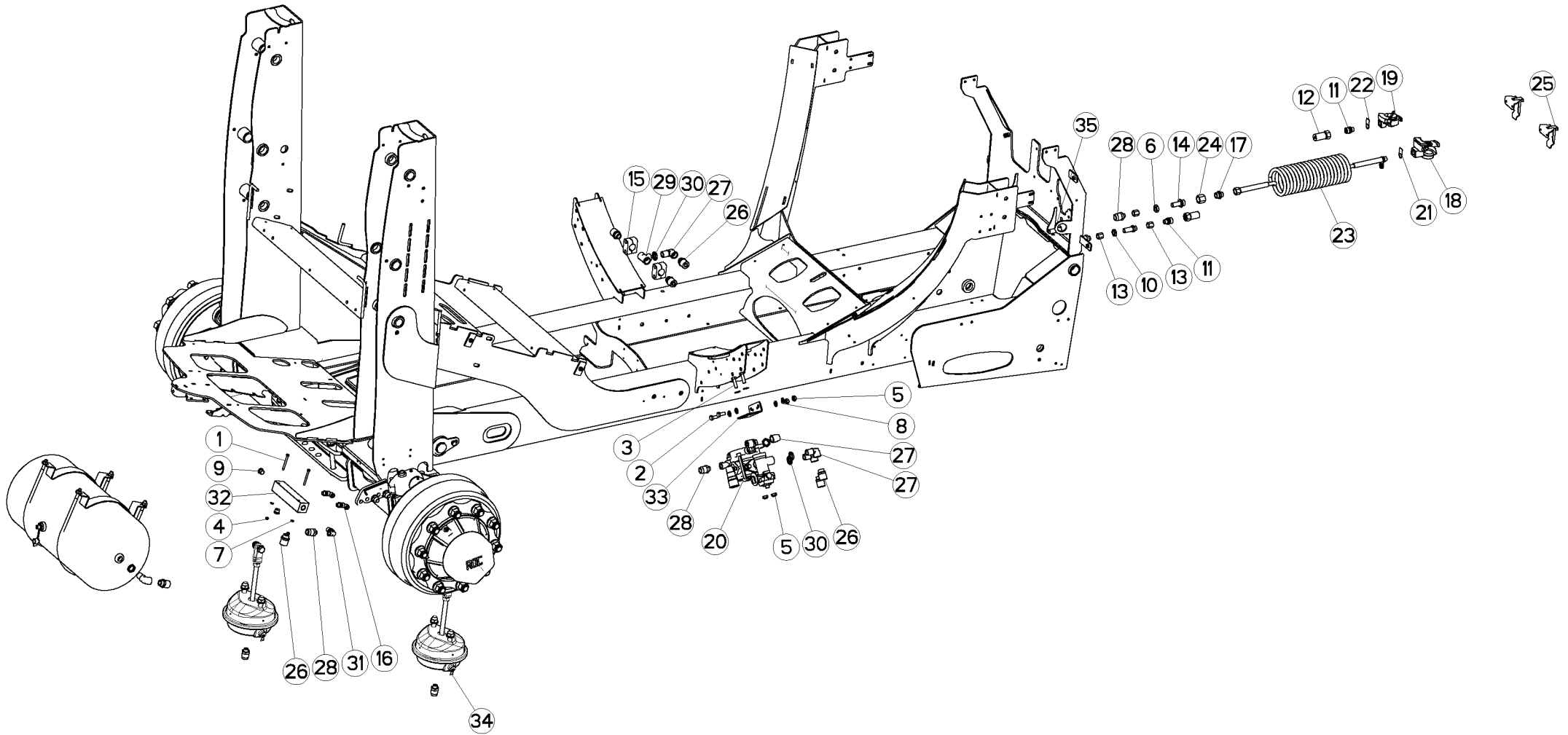
FREINAGE PNEUMATIQUE 1 CIRCUIT

PNEUMATIC BRAKE 1 CIRCUIT

DRUCKLUFT-BREMSANLAGE 1 UMLAUF

FRENO PNEUMATICO 1 CIRCUITO

Rep	Nr	Qt	Designation	Description	Bezeichnung	Referenza	Remarque - Remark - Bemerkung - Osservazioni
001	80060659	002	VIS TETE HEXAGONALE INOX	HEXAGON HEAD SCREW INOX	SECHSKANTSCHRAUBE INOX	VITE A TESTA ESAGONALE INOX	
002	80061037	002	VIS TETE HEXAGONALE INOX	HEXAGON HEAD SCREW INOX	SECHSKANTSCHRAUBE INOX	VITE A TESTA ESAGONALE INOX	
003	80200631	002	ECROU HEX.BAS AUTOFR.INOX	SELF-LOCKING NUT INOX	SELBSTSICHERNDE MUTTER INOX	DADO AUTOBLOCCANTE INOX	
004	80201049	002	ECROU HEX.BAS AUTOFR.INOX	SELF-LOCKING NUT INOX	SELBSTSICHERNDE MUTTER INOX	DADO AUTOBLOCCANTE INOX	
005	80201605	001	ECROU HEXAGONAL BAS FE/ZNXC3	NUT FE/ZNXC3	SECHSKANTMUTTER FE/ZNXC3	DADO FE/ZNXC3	
006	80250601	002	RONDELLE PLATE INOX A2	PLAIN WASHER INOX A2	SCHEIBE INOX A2	RONDELLA PIATTALA INOX A2	
007	80251005	008	RONDELLE PLATE INOX A2	PLAIN WASHER INOX A2	SCHEIBE INOX A2	RONDELLA PIATTALA INOX A2	
008	82230006	002	BOUCHON FE/ZNXC3	PLUG FE/ZNXC3	VERSCHLUSSSCHRAUBE FE/ZNXC3	TAPPO FE/ZNXC3	
009	A7181166	001	MANCHON FEMELLE M16X150				
010	A7181167	001	UNION DOUBLE DECALLEE /CLOISON				
011	A7260031	002	COLLIER SIMPLE D28 NU	CLAMP D.28	SHELLE D.28	COLLARE D.28	
012	G0437990	002	EQUERRE	GUSSET, CORNER	WINKEL	SQUADRA	
013	G0445215	001	VALVE	VALVE	VENTIL	VALVOLA	
014	G0445226	001	RACCORD MM				
015	G0445261	001	TETE	HEAD	KOPFF		
016	G0445265	001	PLAQUE INDICATRICE (ROUGE)				
017	G0445267	001	FLEXIBLE SPIRALE ROUGE				
018	G0445272	001	MANCHON FEMELLE M22X150				
019	G0445275	001	SUPPORT	SUPPORT	TRAEGER	SUPPORTO	
020	G0445276	006	RACCORD	FITTING	VERBINDUNG	RACCORDO	
021	G0445277	003	COUDE	FITTING, HYDRAULIC, ELBOW	BOGEN	CURVA	
022	G0445278	005	RACCORD	FITTING	VERBINDUNG	RACCORDO	
023	G0445279	001	RACCORD	FITTING	VERBINDUNG	RACCORDO	
024	G0445280	003	ECROU	NUT	MUTTER	DADO	
025	G0445281	001	COUDE	FITTING, HYDRAULIC, ELBOW	BOGEN	CURVA	
026	G4001010	001	SUPPORT	SUPPORT	TRAEGER	SUPPORTO	
027	G4100020	001	COLLECTEUR	MANIFOLD	KOLLEKTOR	COLLETTORE	
028	G9001390	002	VASE	TANK, EXPANSION	BEHAELTER	SERBATOIO	
029	G9101820	001	TUYAU	PIPE	ROHR	TUBO	





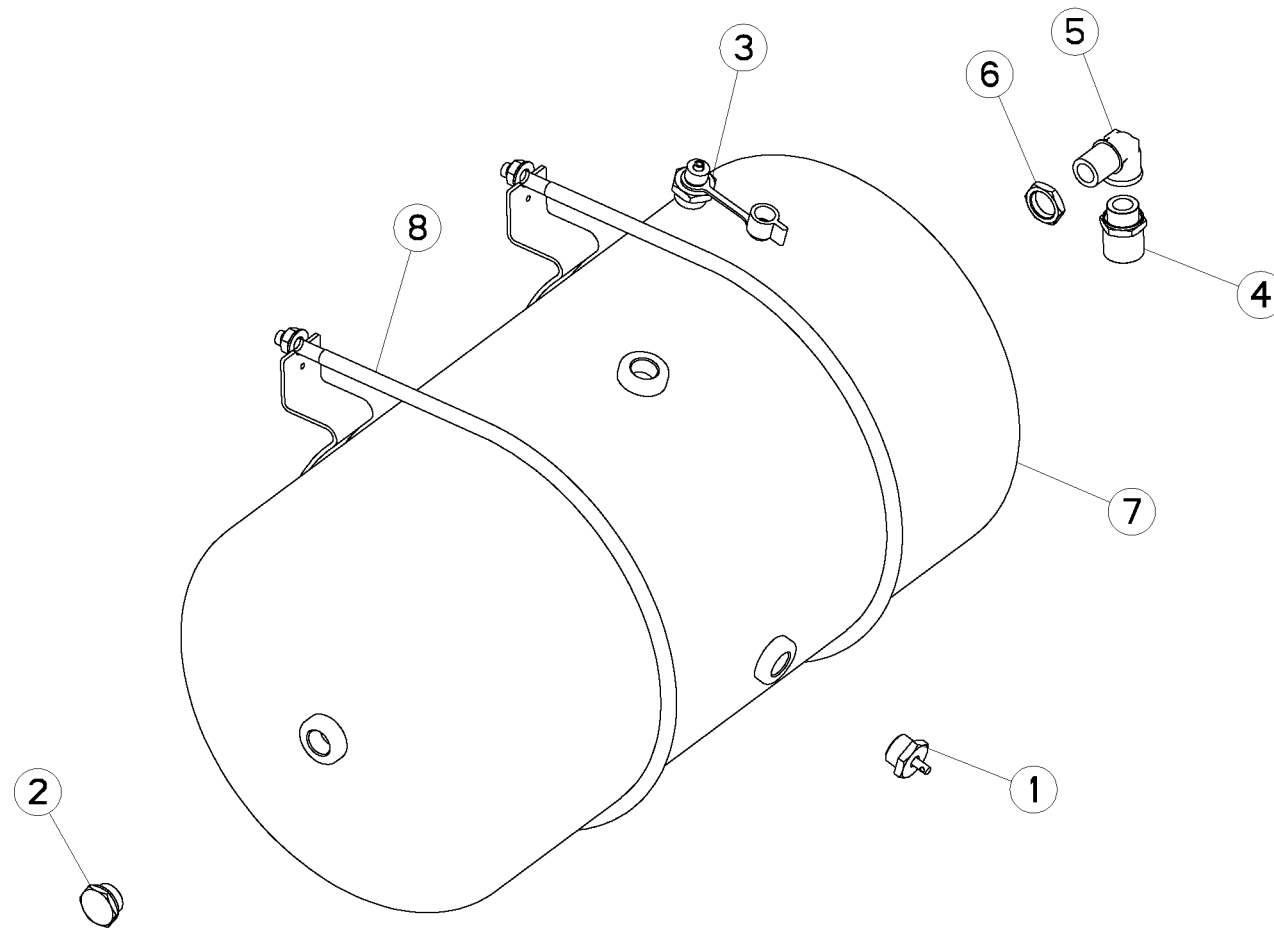
FREINAGE PNEUMATIQUE 2 CIRCUIT

PNEUMATIC BRAKE 2 CIRCUIT

DRUCKLUFT-BREMSANLAGE 2 UMLAUF

FRENO PNEUMATICO 2 CIRCUITO

Rep	Nr	Qt	Designation	Description	Bezeichnung	Referenza	Remarque - Remark - Bemerkung - Osservazioni
001	80060659	002	VIS TETE HEXAGONALE INOX	HEXAGON HEAD SCREW INOX	SECHSKANTSCHRAUBE INOX	VITE A TESTA ESAGONALE INOX	
002	80061027	002	VIS TETE HEXAGONALE INOX	HEXAGON HEAD SCREW INOX	SECHSKANTSCHRAUBE INOX	VITE A TESTA ESAGONALE INOX	
003	80061037	002	VIS TETE HEXAGONALE INOX	HEXAGON HEAD SCREW INOX	SECHSKANTSCHRAUBE INOX	VITE A TESTA ESAGONALE INOX	
004	80200631	002	ECROU HEX.BAS AUTOFR.INOX	SELF-LOCKING NUT INOX	SELBSTSICHERNDE MUTTER INOX	DADO AUTOBLOCCANTE INOX	
005	80201049	004	ECROU HEX.BAS AUTOFR.INOX	SELF-LOCKING NUT INOX	SELBSTSICHERNDE MUTTER INOX	DADO AUTOBLOCCANTE INOX	
006	80201605	001	ECROU HEXAGONAL BAS FE/ZNXC3	NUT FE/ZNXC3	SECHSKANTMUTTER FE/ZNXC3	DADO FE/ZNXC3	
007	80250601	002	RONDELLE PLATE INOX A2	PLAIN WASHER INOX A2	SCHEIBE INOX A2	RONDELLA PIATTALA INOX A2	
008	80251005	008	RONDELLE PLATE INOX A2	PLAIN WASHER INOX A2	SCHEIBE INOX A2	RONDELLA PIATTALA INOX A2	
009	82230006	002	BOUCHON FE/ZNXC3	PLUG FE/ZNXC3	VERSCHLUSSSCHRAUBE FE/ZNXC3	TAPPO FE/ZNXC3	
010	A4080320	001	UNION DOUBLE/CLOISON FE/ZNNI	BULKHEAD UNION	VERBINDUNGSNIPEL	CONNETTORE	
011	A4082417	002	UNION	FITTING, HYDRAULIC, UNION	VERBINDUNG	CONNETTORE	
012	A4923139	001	FLEXIBLE	HOSE, HYDRAULIC	HYDRAULIKSCHLAUCH	TUBO IN GOMMA	<->2165 mm
013	A7181166	003	MANCHON FEMELLE M16X150				
014	A7181167	001	UNION DOUBLE DECALLEE /CLOISON				
015	A7260031	002	COLLIER SIMPLE D28 NU	CLAMP D.28	SHELLE D.28	COLLARE D.28	
016	G0437990	002	EQUERRE	GUSSET, CORNER	WINKEL	SQUADRA	
017	G0445226	001	RACCORD MM				
018	G0445261	001	TETE	HEAD	KOPFF		
019	G0445262	001	TETE D'ACCOUPEMENT JAUNE				
020	G0445263	001	VALVE RELAIS D'URGENCE	VALVE	VENTIL	VALVOLA	
021	G0445265	001	PLAQUE INDICATRICE (ROUGE)				
022	G0445266	001	PLAQUE INDICATRICE (JAUNE)				
023	G0445267	001	FLEXIBLE SPIRALE ROUGE				
024	G0445272	001	MANCHON FEMELLE M22X150				
025	G0445275	002	SUPPORT	SUPPORT	TRAEGER	SUPPORTO	
026	G0445276	007	RACCORD	FITTING	VERBINDUNG	RACCORDO	
027	G0445277	004	COUDE	FITTING, HYDRAULIC, ELBOW	BOGEN	CURVA	
028	G0445278	006	RACCORD	FITTING	VERBINDUNG	RACCORDO	
029	G0445279	001	RACCORD	FITTING	VERBINDUNG	RACCORDO	
030	G0445280	004	ECROU	NUT	MUTTER	DADO	
031	G0445281	001	COUDE	FITTING, HYDRAULIC, ELBOW	BOGEN	CURVA	
032	G4100020	001	COLLECTEUR	MANIFOLD	KOLLEKTOR	COLLETTORE	
033	G4105150	001	SUPPORT	SUPPORT	TRAEGER	SUPPORTO	
034	G9001390	002	VASE	TANK, EXPANSION	BEHAELTER	SERBATOIO	
035	G9101820	001	TUYAU	PIPE	ROHR	TUBO	





METRIS

G40R0242 A

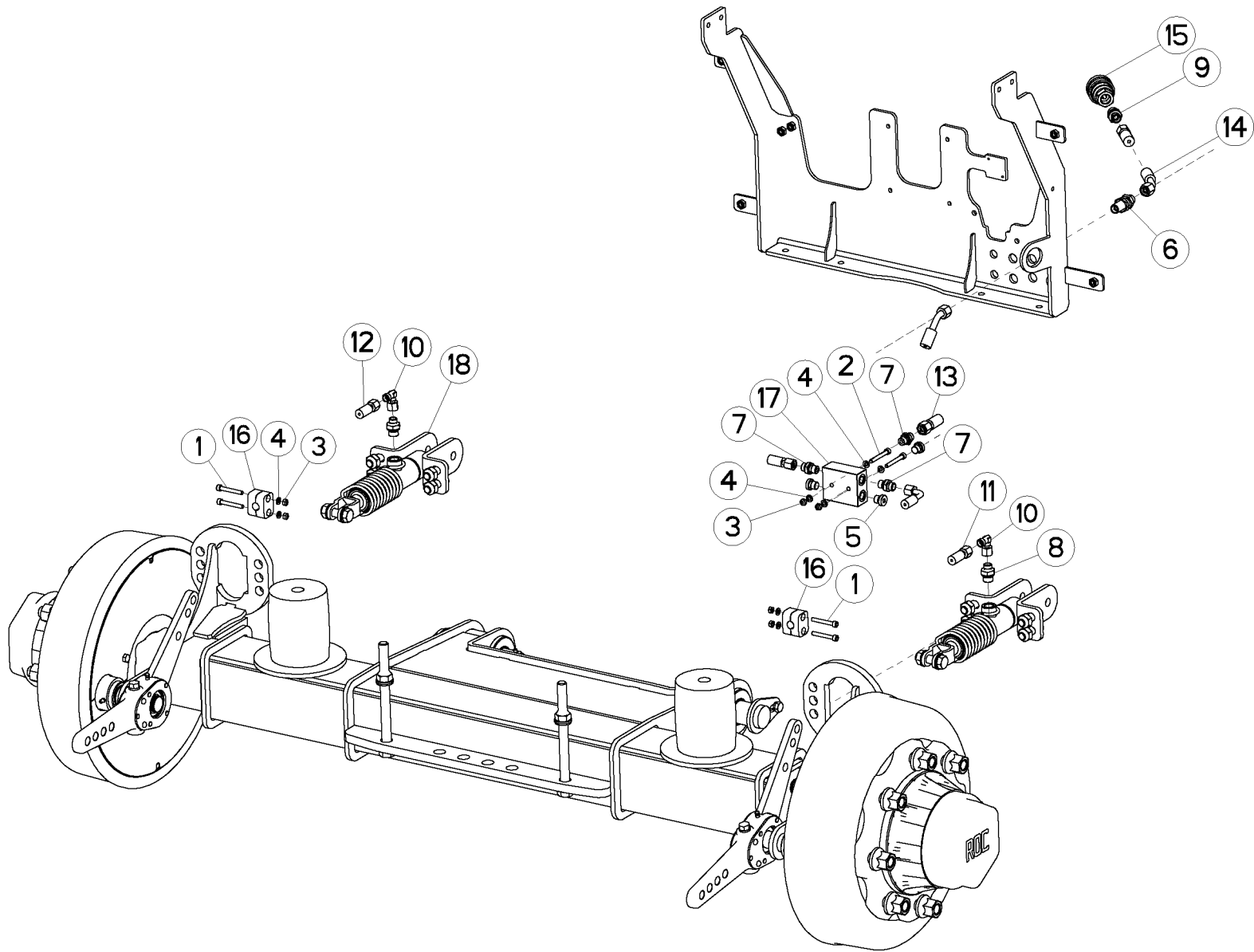
RESERVOIR 40L

TANK 40L

TANK 40L

SERBATOIO 40L

Rep	Nr	Qt	Designation	Description	Bezeichnung	Referenza	Remarque - Remark - Bemerkung - Osservazioni
001	G0445213	001	VALVE	VALVE	VENTIL	VALVOLA	
002	G0445217	001	BOUCHON M22				
003	G0445218	001	PRISE	PLUG, ELECTRIC	STECKER	PRESA	
004	G0445276	001	RACCORD	FITTING	VERBINDUNG	RACCORDO	
005	G0445277	001	COUDE	FITTING, HYDRAULIC, ELBOW	BOGEN	CURVA	
006	G0445280	001	ECROU	NUT	MUTTER	DADO	
007	G0853289	001	RESERVOIR	RESERVOIR	TANK	SERBATOIO	
008	G9000490	002	COLLIER	CLAMP, HOSE	SCHLAUCHSCHELLE	COLLARE	





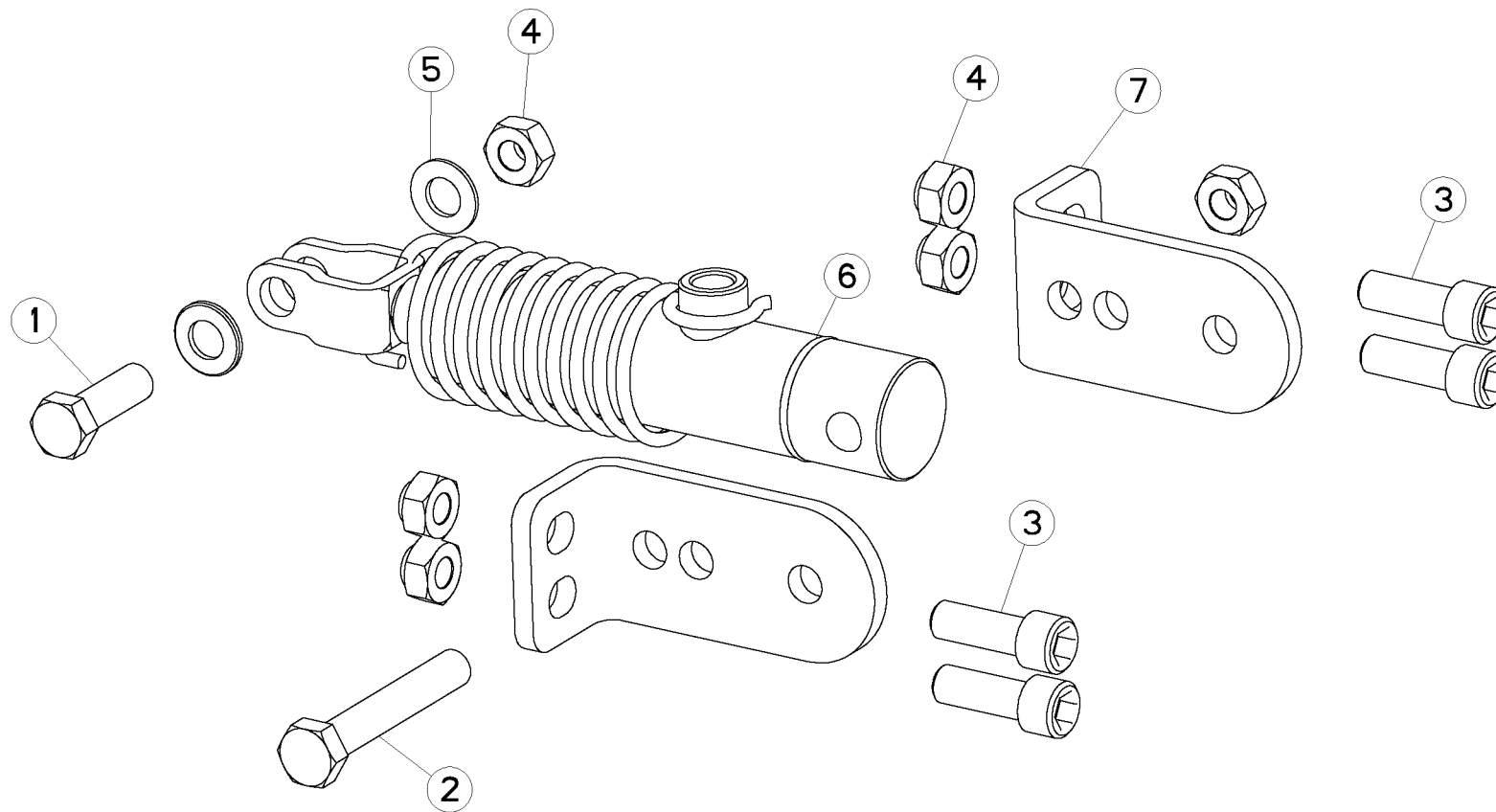
FREINAGE HYDRAULIQUE

HYDRAULIC BRAKE

HYDRAULISCHE BREMSANLAGE

FRENO IDRAULICO

Rep	Nr	Qt	Designation	Description	Bezeichnung	Referenza	Remarque - Remark - Bemerkung - Osservazioni
001	80080646	004	VIS TETE CYL.SIX P.CRE.INOX	HEX.SOCKET HEAD CAP SCREW INOX	ZYLINDERSCHR.INNENSECHSK.INOX	VITE A TESTA CILINDRICA INOX	
002	80080651	002	VIS TETE CYL.SIX P.CRE.INOX	HEX.SOCKET HEAD CAP SCREW INOX	ZYLINDERSCHR.INNENSECHSK.INOX	VITE A TESTA CILINDRICA INOX	
003	80200631	006	ECROU HEX.BAS AUTOFR.INOX	SELF-LOCKING NUT INOX	SELBSTSICHERNDE MUTTER INOX	DADO AUTOBLOCCANTE INOX	
004	80250601	008	RONDELLE PLATE INOX A2	PLAIN WASHER INOX A2	SCHEIBE INOX A2	RONDELLA PIATTALA INOX A2	
005	A4061832	003	BOUCHON	PLUG	VERSCHLUSSSCHRAUBE	TAPPO	
006	A4080320	001	UNION DOUBLE/CLOISON FE/ZNNI	BULKHEAD UNION	VERBINDUNGSNIPEL	CONNETTORE	
007	A4080487	003	UNION MALE FE/ZNNI	FITTING, HYDRAULIC, UNION	VERBINDUNG	CONNETTORE	
008	A4080488	002	UNION MALE FE/ZNNI	FITTING, HYDRAULIC, UNION	VERBINDUNG	CONNETTORE	
009	A4082420	001	UNION	FITTING, HYDRAULIC, UNION	VERBINDUNG	CONNETTORE	
010	A4082713	002	COUDE TOURNANT	AJUSTABLE MALE STUD ELBOW	EINSTELLBARE WINKEL STUTZEN	GIUNZIONE A 90°ORIENTABILE ZBC	
011	A4920149	001	FLEXIBLE	HOSE, HYDRAULIC	HYDRAULIKSCHLAUCH	TUBO IN GOMMA	<->2090 mm
012	A4920193	001	FLEXIBLE	HOSE, HYDRAULIC	HYDRAULIKSCHLAUCH	TUBO IN GOMMA	<->2270 mm
013	A4921158	001	FLEXIBLE	HOSE, HYDRAULIC	HYDRAULIKSCHLAUCH	TUBO IN GOMMA	<->1970 mm
014	A4921159	001	FLEXIBLE	HOSE, HYDRAULIC	HYDRAULIKSCHLAUCH	TUBO IN GOMMA	<->2140 mm
015	A7181002	002	VALVE	VALVE	VENTIL	VALVOLA	
016	A7260024	002	COLLIER SIMPLE D14 NU	CLAMP D.14	SHELLE D.14	COLLARE D.14	
017	G4000220	001	BLOC	BLOCK	BLOCK	BLOCCO	
018	G4104590	002	FREIN	BRAKE	BREMSE	FRENO	





METRIS

G40R0177 A

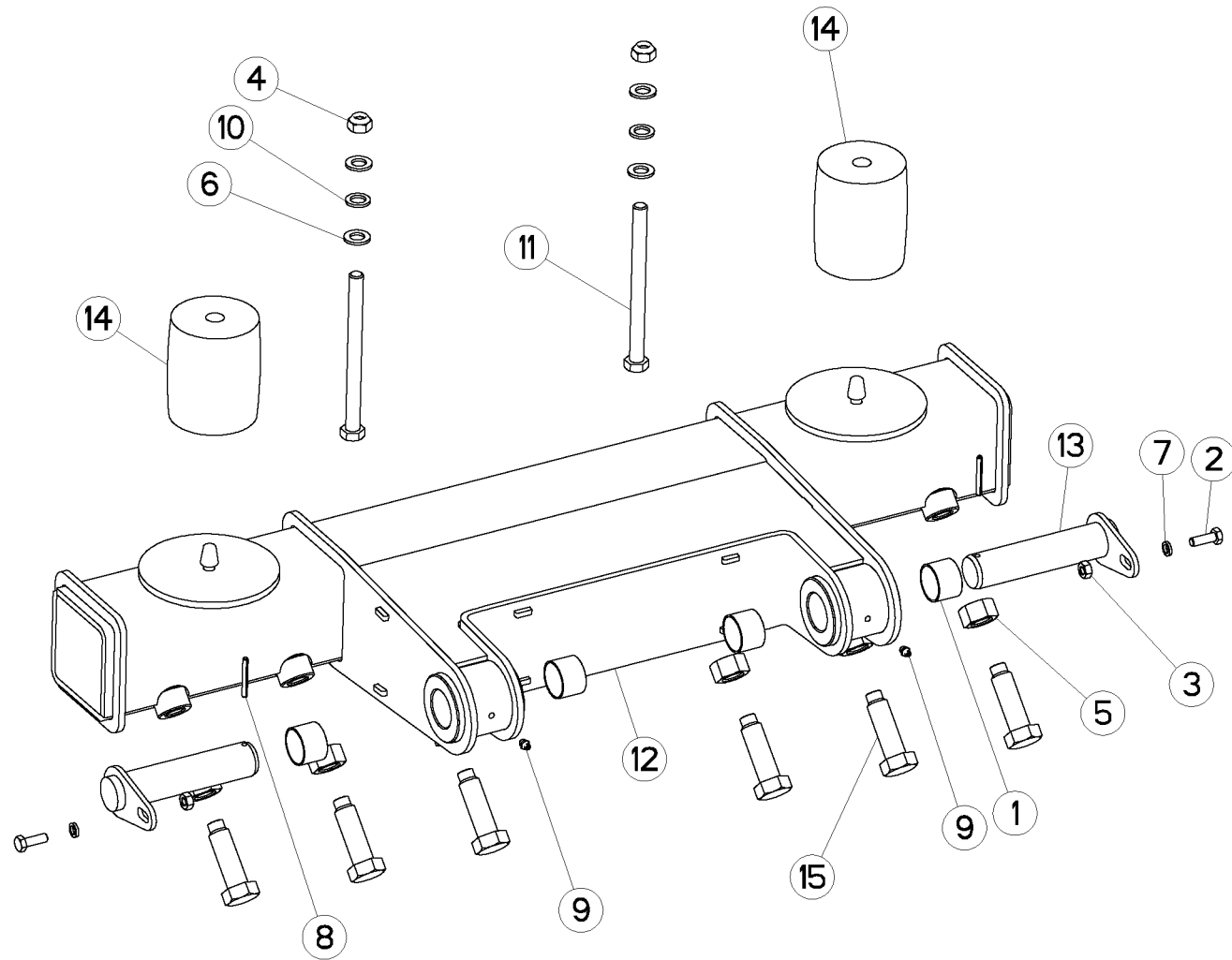
VERIN FREIN HYDRAULIQUE

CYLINDER HYDRAULIC BRAKES

ZYLINDER HYDRAULISCHE BREMSE

CILINDRO FRENO IDRAULICO

Rep	Nr	Qt	Designation	Description	Bezeichnung	Referenza	Remarque - Remark - Bemerkung - Osservazioni
001	80061446	001	VIS TETE HEXAGONALE INOX	HEXAGON HEAD SCREW INOX	SECHSKANTSCHRAUBE INOX	VITE A TESTA ESAGONALE INOX	
002	80061488	001	VIS TETE HEXAGONALE INOX				
003	80081441	004	VIS TETE CYL.SIX P.CRE.INOX	HEX.SOCKET HEAD CAP SCREW INOX	ZYLINDERSCHR.INNENSECHSK.INOX	VITE A TESTA CILINDRICA INOX	
004	80201431	006	ECROU HEX.BAS AUTOFR.INOX	SELF-LOCKING NUT INOX	SELBSTSICHERNDE MUTTER INOX	DADO AUTOBLOCCANTE INOX	
005	80251400	002	RONDELLE PLATE INOX A2	PLAIN WASHER INOX A2	SCHEIBE INOX A2	RONDELLA PIATTALA INOX A2	
006	G4003220	001	VERIN	CYLINDER, HYDRAULIC	HYDRAULIKZYLINDER	CILINDRO	
007	G9000600	002	PATTE	BRACKET	BEFESTIGUNGSEISEN	FAZZOLETTO	





METRIS

G40R0280 A

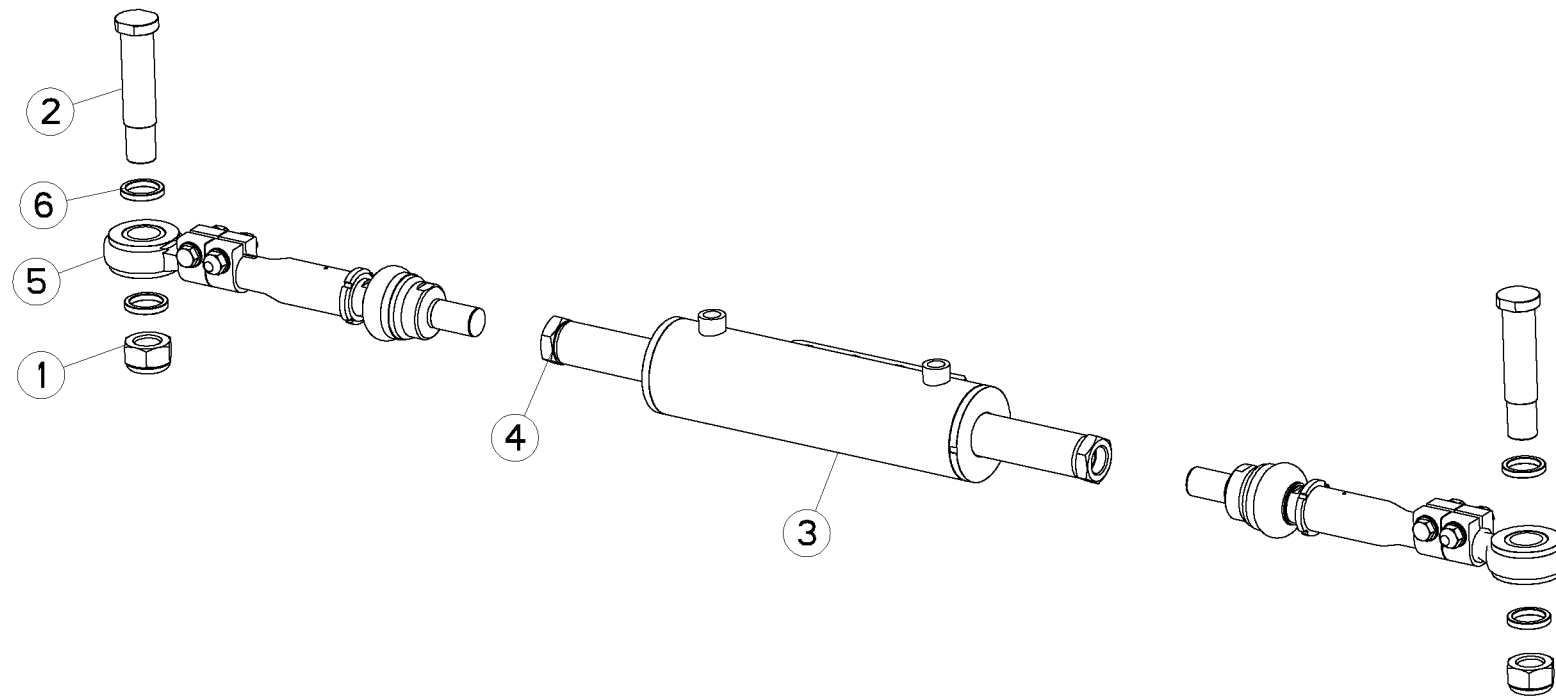
SUSPENSION ESSIEU

SUSPENSION AXLE

FEDERUNG ACHSE

SOSPENSIONE ASSALE

Rep	Nr	Qt	Designation	Description	Bezeichnung	Referenza	Remarque - Remark - Bemerkung - Osservazioni
001	951168	004	BAGUE ROULEE	WRAPPED BUSH	GEROLLTE BUCHSE	ANELLO LUBRIFICATO	
002	80061031	002	VIS TETE HEXAGONALE INOX	HEXAGON HEAD SCREW INOX	SECHSKANTSCHRAUBE INOX	VITE A TESTA ESAGONALE INOX	
003	80201002	002	ECROU HEXAGONAL INOX	HEXAGON NUT INOX	SECHSKANTMUTTER INOX	DADO INOX	
004	80201631	002	ECROU HEX.BAS AUTOFR.INOX	SELF-LOCKING NUT INOX	SELBSTSICHERNDE MUTTER INOX	DADO AUTOBLOCCANTE INOX	
005	80202403	006	ECROU HEXAGONAL INOX	HEXAGON NUT INOX	SECHSKANTMUTTER INOX	DADO INOX	
006	80251601	004	RONDELLE PLATE INOX A2	PLAIN WASHER INOX A2	SCHEIBE INOX A2	RONDELLA PIATTALA INOX A2	
007	80271083	002	RONDELLE GROWER INOX A2	WASHER, SPRING LOCK INOX A2	FEDERRING INOX A2	RONDELLA GROWER INOX A2	
008	80450642	002	GOUPILLE ELASTIQUE INOX	ROLL PIN INOX	SPANNHUELSE INOX	SPINA ELASTICA INOX	
009	82200800	002	GRAISSEUR FE/ZNXC3	GREASE NIPPLE FE/ZNXC3	SCHMIERNIPPEL FE/ZNXC3	INGRASSATORE FE/ZNXC3	
010	83668023	002	JOINT	SEAL	DICHTUNG	GUARNIZIONE	
011	800616C4	002	VIS TETE HEXAGONALE INOX	HEXAGON HEAD SCREW INOX	SECHSKANTSCHRAUBE INOX	VITE A TESTA ESAGONALE INOX	
012	G4000630	001	BERCEAU	CRADLE	HALTERUNG	SUPPORTO	
013	G4004760	002	BROCHE	PIN, HITCH	ACHSE	PERNO	
014	G4101080	002	RESSORT	SPRING	FEDER	MOLLA	
015	G4106710	006	VIS TETE HEXAGONALE	SCREW, HEX HEAD	SECHSKANTSCHRAUBE	VITE A TESTA ESAGONALE	





METRIS

G40R0179 A

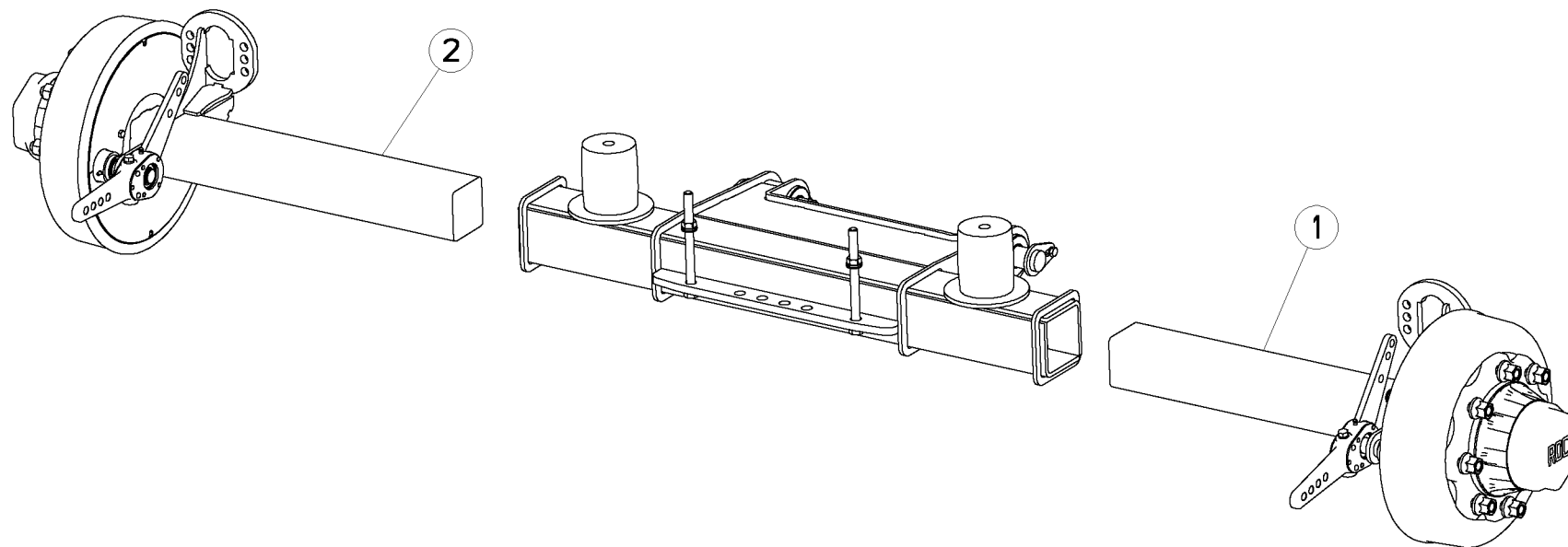
DIRECTION HYDRAULIQUE

STEERING HYDRAULIC

LENKUNG HYDRAULIK

STERZO IDRAULICO

Rep	Nr	Qt	Designation	Description	Bezeichnung	Referenza	Remarque - Remark - Bemerkung - Osservazioni
001	80202730	002	ECROU HEX.BAS AUTOFR.FE/ZNXC3	SELF-LOCKING NUT FE/ZNXC3	SELBSTSICHERND.MUTTER FE/ZNXC3	DADO AUTOBLOCCANTE FE/ZNXC3	
002	G0546628	002	AXE	PIN	ACHSE	ASSE	
003	G0546638	001	VERIN	CYLINDER, HYDRAULIC	HYDRAULIKZYLINDER	CILINDRO	
004	G0546639	002	ECROU	NUT	MUTTER	DADO	
005	G4002900	002	BARRE	BAR	BALKEN	BARRA	
006	G4104750	004	ENTRETOISE	SPACER	DISTANZHUELSE	DISTANZIALE	





METRIS

G40R0176 A

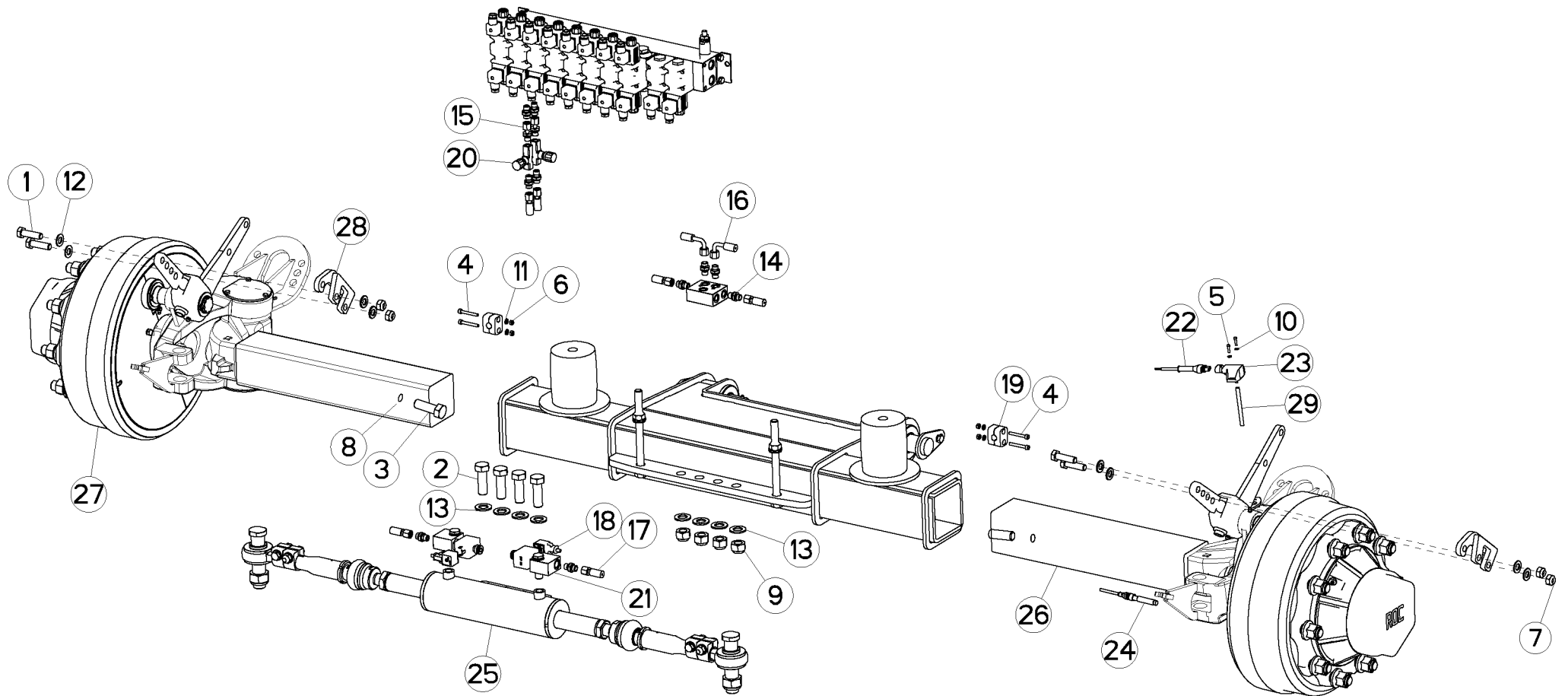
ESSIEU 1008XF 400X80C

AXLE 1008XF 400X80C

ACHSE 1008XF 400X80C

ASSALE 1008XF 400X80C

Rep	Nr	Qt	Designation	Description	Bezeichnung	Referenza	Remarque - Remark - Bemerkung - Osservazioni
001	G4002800	001	DEMI-ESSIEU	AXLE, HALF	HALBACHSE	SEMIALBERO	
002	G4002810	001	DEMI-ESSIEU	AXLE, HALF	HALBACHSE	SEMIALBERO	





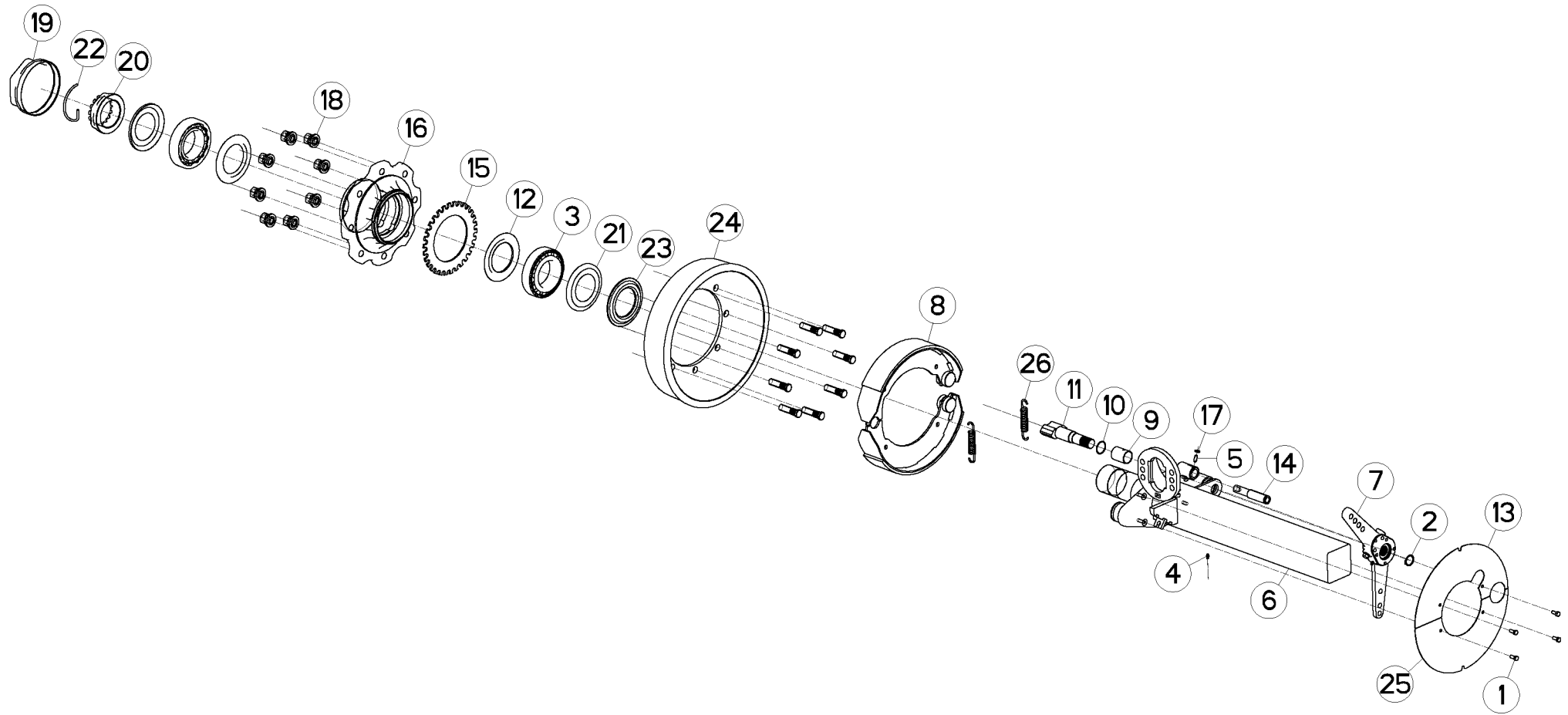
ESSIEU 400X80C EDR ELECTRIQUE

AXLE 400X80C EDR ELECTRIC

ACHSE 400X80C EDR ELEKTRISCHE

ASSALE 400X80C EDR ELETTRICO

Rep	Nr	Qt	Designation	Description	Bezeichnung	Referenza	Remarque - Remark - Bemerkung - Osservazioni
001	80061464	004	VIS TETE HEXAGONALE INOX				
002	80062058	004	VIS TETE HEXAGONALE FLZNNC	HEXAGON HEAD SCREW FLZNNC	SECHSKANTSCHRAUBE FLZNNC	VITE TESTA ESAGONALE FLZNNC	
003	80062063	002	VIS TETE HEXAGONALE INOX	HEXAGON HEAD SCREW INOX	SECHSKANTSCHRAUBE INOX	VITE A TESTA ESAGONALE INOX	
004	80080646	004	VIS TETE CYL.SIX P.CRE.INOX	HEX.SOCKET HEAD CAP SCREW INOX	ZYLINDERSCHR.INNENSECHSK.INOX	VITE A TESTA CILINDRICA INOX	
005	80100417	002	VIS TETE CYL.FENDUE INOX	SLOT.CHEES.HEAD SCREW INOX	ZYLINDERSCHAU.SCHLITZ INOX	VITE TESTA CILINDR.INOX	
006	80200631	004	ECROU HEX.BAS AUTOFR.INOX	SELF-LOCKING NUT INOX	SELBSTSICHERNDE MUTTER INOX	DADO AUTOBLOCCANTE INOX	
007	80201431	004	ECROU HEX.BAS AUTOFR.INOX	SELF-LOCKING NUT INOX	SELBSTSICHERNDE MUTTER INOX	DADO AUTOBLOCCANTE INOX	
008	80202006	002	ECROU HEXAGONAL BAS INOX	HEXAGON THIN NUT INOX	FLACHE SECHSKANTMUTTER INOX	DADO INOX	
009	80202031	004	ECROU HEXAG.AUTOFREINE INOX	SELF-LOCKING NUT INOX	SELBSTSICHERNDE MUTTER INOX	DADO AUTOBLOCCANTE INOX	
010	80250410	002	RONDELLE PLATE INOX A2	PLAIN WASHER INOX A2	SCHEIBE INOX A2	RONDELLA PIATTALA INOX A2	
011	80250601	004	RONDELLE PLATE INOX A2	PLAIN WASHER INOX A2	SCHEIBE INOX A2	RONDELLA PIATTALA INOX A2	
012	80251400	008	RONDELLE PLATE INOX A2	PLAIN WASHER INOX A2	SCHEIBE INOX A2	RONDELLA PIATTALA INOX A2	
013	80252141	008	RONDELLE PLATE INOX A2	PLAIN WASHER INOX A2	SCHEIBE INOX A2	RONDELLA PIATTALA INOX A2	
014	A4080487	010	UNION MALE FE/ZNNI	FITTING, HYDRAULIC, UNION	VERBINDUNG	CONNETTORE	
015	A4080529	002	ADAPTATEUR MALE FE/ZNNI	FITTING, HYDRAULIC, ADAPTER	ANBAUELEMENT	ADATTATORE	
016	A4920148	002	FLEXIBLE	HOSE, HYDRAULIC	HYDRAULIKSCHLAUCH	TUBO IN GOMMA	<->1850 mm
017	A4920151	002	FLEXIBLE	HOSE, HYDRAULIC	HYDRAULIKSCHLAUCH	TUBO IN GOMMA	<->2750 mm
018	A7040473	002	CONNECTEUR	CONNECTOR	STECKER	CONNETTORE	
019	A7260024	002	COLLIER SIMPLE D14 NU	CLAMP D.14	SHELLE D.14	COLLARE D.14	
020	G0252820	002	ETRANGLEUR	ADAPTER, RESTRICTOR	OELDROSSEL	RIDUTTORE	
021	G0411600	002	CLAPET	VALVE, FLAP	RUECKSCHLAGVENTIL	VALVOLA	
022	G0458340	001	CABLE 10M	CABLE	ELEKTROKABEL	CAVO ELETTRICO	
023	G0458365	001	CAPTEUR	SENSOR	SENSOR	SENSORE	
024	G0462360	001	CAPT.VITESSE	SENSOR	SENSOR+KABEL O.CAN-B-STECKER	SENSORE	
025	G4002790	001	BARRE	BAR	BALKEN	BARRA	
026	G4004190	001	DEMI-ESSIEU	AXLE, HALF	HALBACHSE	SEMIALBERO	
027	G4004220	001	DEMI-ESSIEU	AXLE, HALF	HALBACHSE	SEMIALBERO	
028	G4004330	002	RALLONGE	ROD	STANGE		
029	G4104840	001	TUBE	TUBE	ROHR	TUBO	





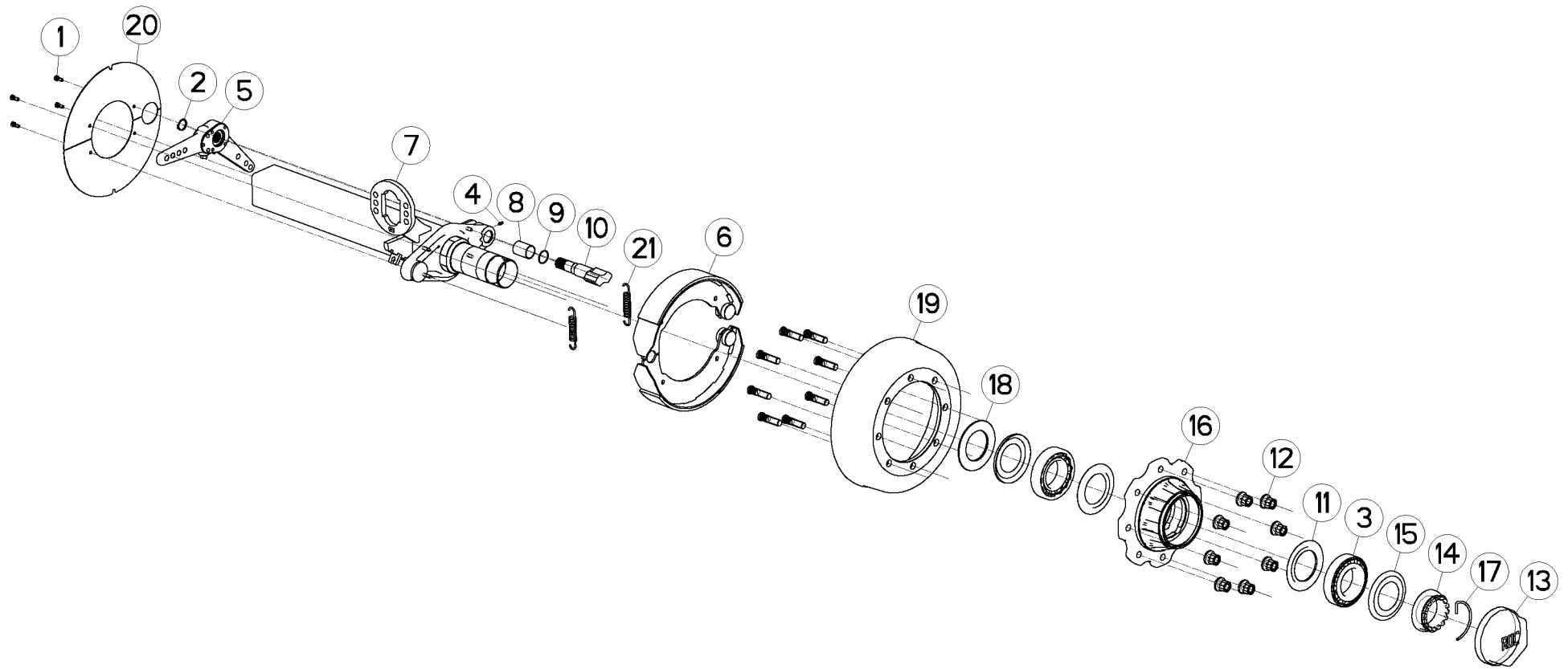
ESSIEU 1008XF 400X80C (DROITE)

AXLE 1008XF 400X80C (RIGHT)

ACHSE 1008XF 400X80C (RECHTS)

ASSALE 1008XF 400X80C (DX)

Rep	Nr	Qt	Designation	Description	Bezeichnung	Referenza	Remarque - Remark - Bemerkung - Osservazioni
001	80060820	004	VIS TETE HEXAGONALE FE/ZNXC3	HEXAGON HEAD SCREW FE/ZNXC3	SECHSKANTSCHRAUBE FE/ZNXC3	VITE TESTA ESAGONALE FE/ZNXC3	
002	80583000	001	CIRCLIP EXTERIEUR	RETAINING RING	SICHERUNGSRING	ANELLO	
003	81308505	002	ROULEMENT A ROULEAUX CONIQUES	TAPERED ROLLER BEARING	KEGELROLLENLAGER	CUSCINETTO A RULLI CR	
004	82200600	001	GRAISSEUR FE/ZNXC3	GREASE NIPPLE FE/ZNXC3	SCHMIERNIPPEL FE/ZNXC3	INGRASSATORE FE/ZNXC3	
005	G0277772	001	VIS	SCREW	SCHRAUBE	VITE	
006	G4002800	001	DEMI-ESSIEU	AXLE, HALF	HALBACHSE	SEMIALBERO	
007	G4002840	001	TIRANT	TIE ROD	ZUGSTANGE	TIRANTE	
008	G4002850	002	MACHOIRE	PTO, YOKE	GELENKGABEL	FORCELLA	
009	G4104650	001	BAGUE	BUSHING	HUELSE	BOCCOLA	
010	82063535	001	JOINT TORIQUE	O-RING	O-RING	GUARNIZIONE	
011	G4104690	001	CAME	CAM	STEUERSCHEIBE	CAMMA	
012	G4104700	002	RONDELLE	WASHER	SCHEIBE	RONDELLA PIATTA	
013	G4104710	001	TOLE DE PROTECTION	SHIELD, RIGID	SCHUTZBLECH	LAMIERA DI PROTEZIONE	
014	G4104720	001	SUPPORT	SUPPORT	TRAEGER	SUPPORTO	
015	G4104730	001	COURONNE	GEAR, SUN	TELLERRAD	CORONA	
016	G4104740	001	MOYEU	HUB	NABE	MOZZO	
017	G9000630	001	ECROU	NUT	MUTTER	DADO	
018	K3014680	008	ECROU DE ROUE	NUT	MUTTER	DADO	
019	K3014610	001	CHAPEAU M162X2	DUST CAP	KAPPE	CAPPELLO	
020	K3014620	001	ECROU HK	CASTLE NUT	KRONENMUTTER	DADO	
021	K3014650	002	RONDELLE D'ETANCHEITE	SEAL WASHER	SCHEIBE	RONDELLA	
022	K3014700	001	GOUPILLE CAVALIERE	TUBE PIN	ROHRKLAPPSTECKER	PERNO	
023	K3014710	001	RONDELLE	SUPPORTING RING	SCHEIBE	RONDELLA D'APPOGGIO	
024	K8018160	001	TAMBOUR DE FREIN	BRAKE DRUM	BREMSTROMMEL	TAMBURO DI FRENO	
025	K8018170	001	TOLE DE PROTECTION	SHIELD, RIGID	SCHUTZBLECH	LAMIERA DI PROTEZIONE	
026	K8018560	002	RESSORT DE TRACTION	SPRING, EXTENSION	ZUGFEDER	MOLLA DI TRAZIONE	
027	A7039044	008	GOUJON D.18X150 <-> 46/70	STUD, THREADED	GEWINDESTIFT	SPINA	





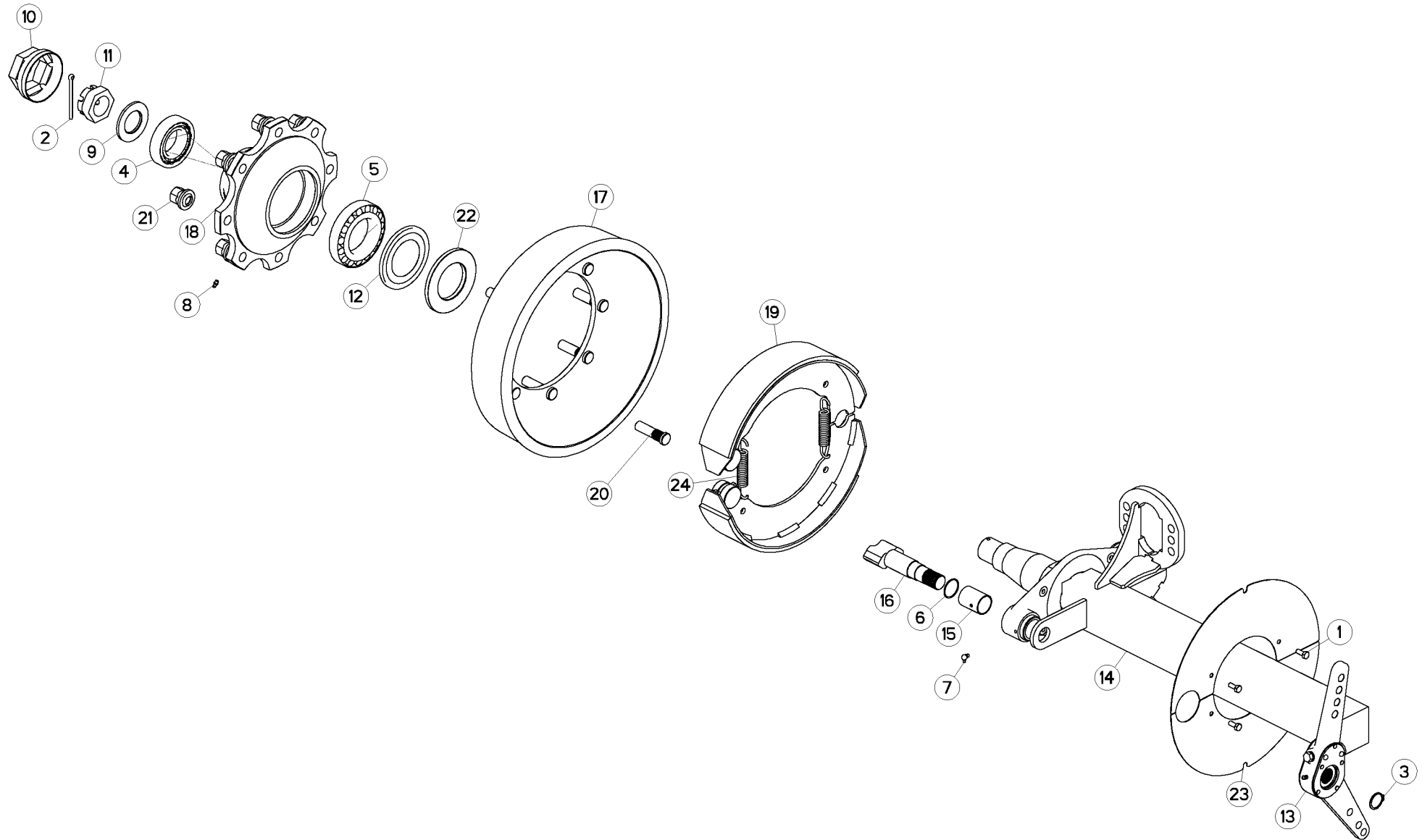
ESSIEU 1008XF 400X80C (GAUCHE)

AXLE 1008XF 400X80C (LEFT)

ACHSE 1008XF 400X80C (LINKS)

ASSALE 1008XF 400X80C (SX)

Rep	Nr	Qt	Designation	Description	Bezeichnung	Referenza	Remarque - Remark - Bemerkung - Osservazioni
001	80060820	004	VIS TETE HEXAGONALE FE/ZNXC3	HEXAGON HEAD SCREW FE/ZNXC3	SECHSKANTSCHRAUBE FE/ZNXC3	VITE TESTA ESAGONALE FE/ZNXC3	
002	80583000	001	CIRCLIP EXTERIEUR	RETAINING RING	SICHERUNGSRING	ANELLO	
003	81308505	002	ROULEMENT A ROULEAUX CONIQUES	TAPERED ROLLER BEARING	KEGELROLLENLAGER	CUSCINETTO A RULLI CR	
004	82200600	001	GRAISSEUR FE/ZNXC3	GREASE NIPPLE FE/ZNXC3	SCHMIERNIPPEL FE/ZNXC3	INGRASSATORE FE/ZNXC3	
005	G4002840	001	TIRANT	TIE ROD	ZUGSTANGE	TIRANTE	
006	G4002850	002	MACHOIRE	PTO, YOKE	GELENKGABEL	FORCELLA	
007	G4002860	001	PREMONTAGE	PRE-ASSEMBLY			
008	G4104650	001	BAGUE	BUSHING	HUELSE	BOCCOLA	
009	82063535	001	JOINT TORIQUE	O-RING	O-RING	GUARNIZIONE	
010	G4104690	001	CAME	CAM	STEUERSCHEIBE	CAMMA	
011	G4104700	002	RONDELLE	WASHER	SCHEIBE	RONDELLA PIATTA	
012	K3014680	008	ECROU DE ROUE	NUT	MUTTER	DADO	
013	K3014610	001	CHAPEAU M162X2	DUST CAP	KAPPE	CAPPELLO	
014	K3014620	001	ECROU HK	CASTLE NUT	KRONENMUTTER	DADO	
015	K3014650	002	RONDELLE D'ETANCHEITE	SEAL WASHER	SCHEIBE	RONDELLA	
016	K3014690	001	MOYEU TOURNE PERCE 908X-1008XF	HUB	NABE	MOZZO	
017	K3014700	001	GOUPILLE CAVALIERE	TUBE PIN	ROHRKLAPPSTECKER	PERNO	
018	K3014710	001	RONDELLE	SUPPORTING RING	SCHEIBE	RONDELLA D'APPOGGIO	
019	K8018160	001	TAMBOUR DE FREIN	BRAKE DRUM	BREMSTROMMEL	TAMBURO DI FRENO	
020	K8018170	002	TOLE DE PROTECTION	SHIELD, RIGID	SCHUTZBLECH	LAMIERA DI PROTEZIONE	
021	K8018560	002	RESSORT DE TRACTION	SPRING, EXTENSION	ZUGFEDER	MOLLA DI TRAZIONE	
022	A7039044	008	GOUJON D.18X150 <-> 46/70	STUD, THREADED	GEWINDESTIFT	SPINA	





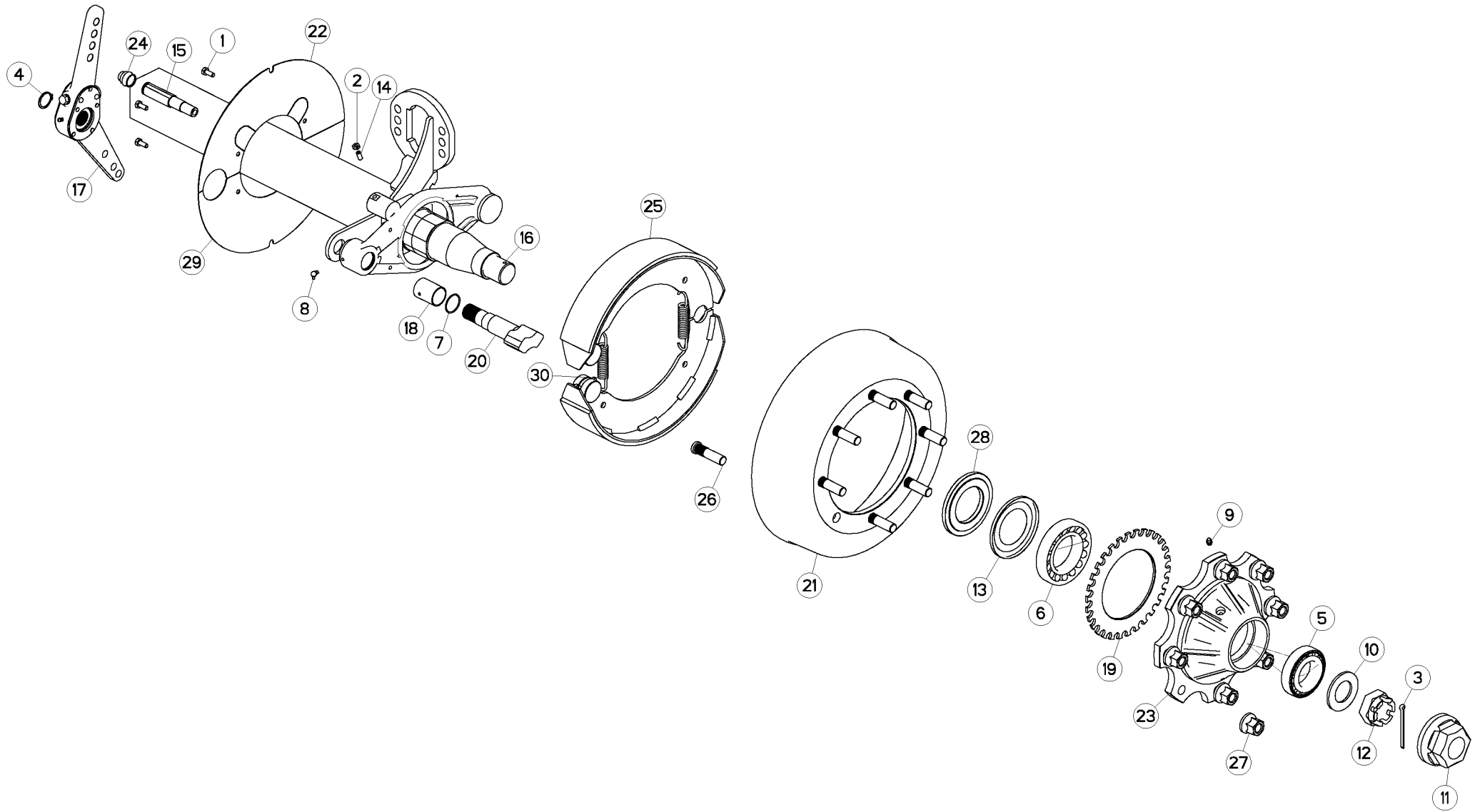
ESSIEU 1/2 400X80D GAUCHE

AXLE 1/2 400X80D LEFT

ACHSE 1/2 400X80D LINKS

ASSALE 1/2 400X80D SX

Rep	Nr	Qt	Designation	Description	Bezeichnung	Referenza	Remarque - Remark - Bemerkung - Osservazioni
001	80060820	004	VIS TETE HEXAGONALE FE/ZNXC3	HEXAGON HEAD SCREW FE/ZNXC3	SECHSKANTSCHRAUBE FE/ZNXC3	VITE TESTA ESAGONALE FE/ZNXC3	
002	80500579	001	GOUPILLE FENDUE FE/ZNXC3	SPLIT PIN FE/ZNXC3	SPLINT FE/ZNXC3	COPPIGLIA FE/ZNXC3	
003	80583000	001	CIRCLIP EXTERIEUR	RETAINING RING	SICHERUNGSRING	ANELLO	
004	81305501	001	ROULEMENT A ROULEAUX CONIQUES	TAPERED ROLLER BEARING	KEGELROLLENLAGER	CUSCINETTO A RULLI	
005	81307513	001	ROULEMENT A ROULEAUX CONIQUES	TAPERED ROLLER BEARING	KEGELROLLENLAGER	CUSCINETTO A RULLI	
006	82063535	001	JOINT TORIQUE	O-RING	O-RING	GUARNIZIONE	
007	82200603	001	GRAISSEUR FE/ZNXC3	GREASE NIPPLE FE/ZNXC3	SCHMIERNIPPEL FE/ZNXC3	INGRASSATORE FE/ZNXC3	
008	82200616	001	GRAISSEUR AUTOTAR.FE/ZNXC3	TAPPING GREASE NIPPLE FE/ZNXC3	GEWINDESCH.SCHMIERNIP.FE/ZNXC3	INGRASSATORE FE/ZNXC3	
009	A7039049	001	RONDELLE PLATE D45X80X5	WASHER	FLACHSCHEIBE	RONDELLA PIANA	
010	A7039168	001	CHAPEAU M101,5X1,5 MONROC	CAP	DECKEL	CAPPELLO	
011	A7039171	001	ECROU HK M45X2 MONROC	NUT	MUTTER	DADO	
012	A8544001	001	RONDELLE METALLIQUE 30215 AV	RING	RING	RONDELLA	
013	G4005800	001	TIRANT	TIE ROD	ZUGSTANGE	TIRANTE	
014	G4005810	001	FUSEE	SPINDLE	DREHZAPFEN	FUSO	
015	G4104650	001	BAGUE	BUSHING	HUELSE	BOCCOLA	
016	G4108520	001	CAME	CAM	STEUERSCHEIBE	CAMMA	
017	G4108530	001	TAMBOUR	DRUM	TROMMEL	TAMBURO	
018	G4108540	001	MOYEU	HUB	NABE	MOZZO	
019	H2400840	002	MACHOIRE	PTO, YOKE	GELENKGABEL	FORCELLA	
020	H2903830	008	GOUJON	STUD, THREADED	GEWINDESTIFT	SPINA	
021	K3014680	008	ECROU DE ROUE	NUT	MUTTER	DADO	
022	K8018150	001	RONDELLE	SUPPORTING RING	SCHEIBE	RONDELLA D'APPOGGIO	
023	K8018170	002	TOLE DE PROTECTION	SHIELD, RIGID	SCHUTZBLECH	LAMIERA DI PROTEZIONE	
024	K8018560	002	RESSORT DE TRACTION	SPRING, EXTENSION	ZUGFEDER	MOLLA DI TRAZIONE	





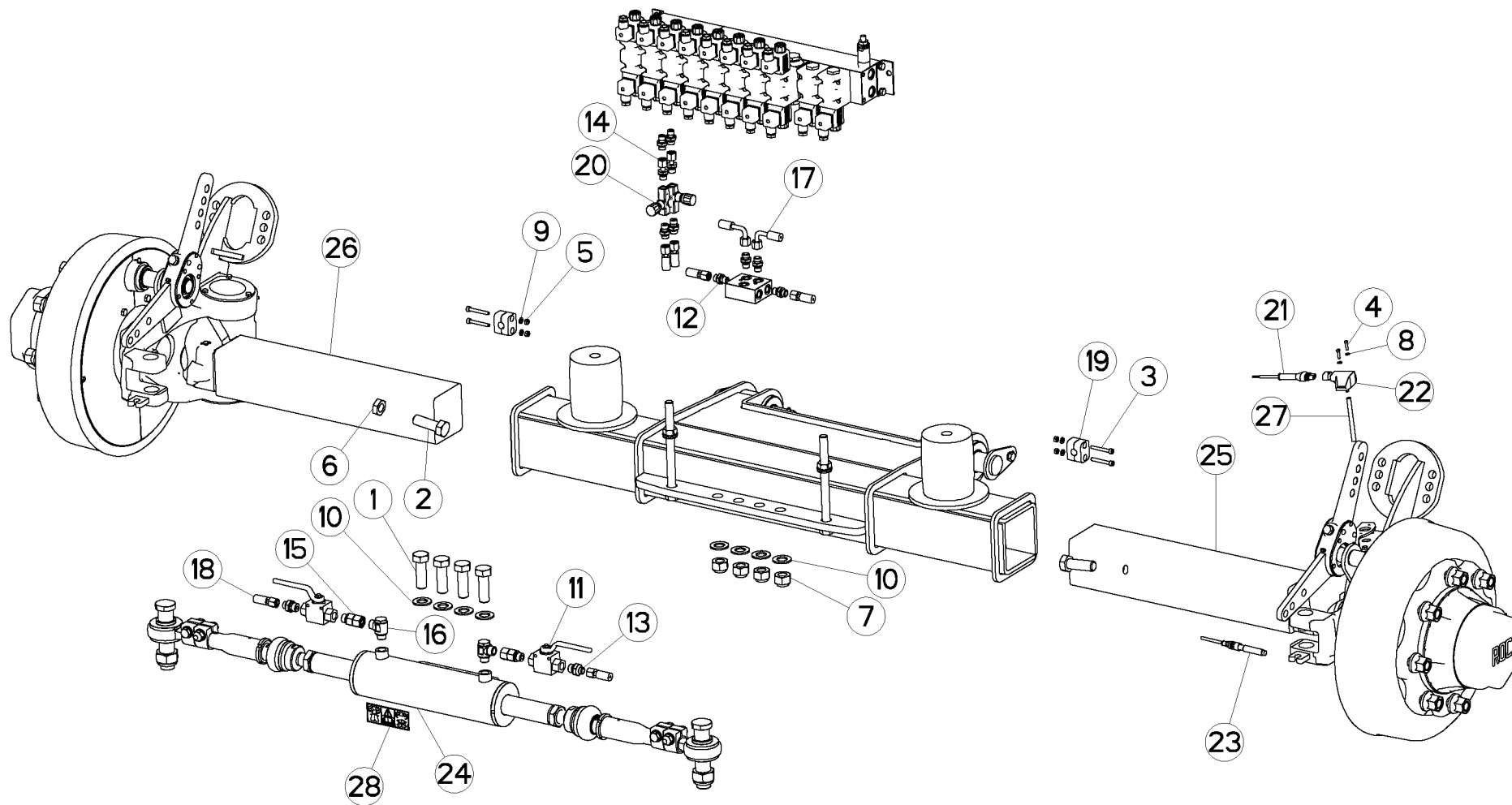
ESSIEU 1/2 400X80D DROIT

AXLE 1/2 400X80D RIGHT

ACHSE 1/2 400X80D RECHTS

ASSALE 1/2 400X80D DESTRO

Rep	Nr	Qt	Designation	Description	Bezeichnung	Referenza	Remarque - Remark - Bemerkung - Osservazioni
001	80060820	004	VIS TETE HEXAGONALE FE/ZNXC3	HEXAGON HEAD SCREW FE/ZNXC3	SECHSKANTSCHRAUBE FE/ZNXC3	VITE TESTA ESAGONALE FE/ZNXC3	
002	80200801	001	ECROU HEXAGONAL BAS	HEXAGON THIN NUT	FLACHE SECHSKANTMUTTER	DADO	
003	80500579	001	GOUPILLE FENDUE FE/ZNXC3	SPLIT PIN FE/ZNXC3	SPLINT FE/ZNXC3	COPPIGLIA FE/ZNXC3	
004	80583000	001	CIRCLIP EXTERIEUR	RETAINING RING	SICHERUNGSRING	ANELLO	
005	81305501	001	ROULEMENT A ROULEAUX CONIQUES	TAPERED ROLLER BEARING	KEGELROLLENLAGER	CUSCINETTO A RULLI	
006	81307513	001	ROULEMENT A ROULEAUX CONIQUES	TAPERED ROLLER BEARING	KEGELROLLENLAGER	CUSCINETTO A RULLI	
007	82063535	001	JOINT TORIQUE	O-RING	O-RING	GUARNIZIONE	
008	82200603	001	GRAISSEUR FE/ZNXC3	GREASE NIPPLE FE/ZNXC3	SCHMIERNIPPEL FE/ZNXC3	INGRASSATORE FE/ZNXC3	
009	82200606	001	GRAISSEUR FE/ZNXC3	GREASE NIPPLE FE/ZNXC3	SCHMIERNIPPEL FE/ZNXC3	ENGRASADEIRA FE/ZNXC3	
010	A7039049	001	RONDELLE PLATE D45X80X5	WASHER	FLACHSCHEIBE	RONDELLA PIANA	
011	A7039168	001	CHAPEAU M101,5X1,5 MONROC	CAP	DECKEL	CAPPELLO	
012	A7039171	001	ECROU HK M45X2 MONROC	NUT	MUTTER	DADO	
013	A8544001	001	RONDELLE METALLIQUE 30215 AV	RING	RING	RONDELLA	
014	G0277772	001	VIS	SCREW	SCHRAUBE	VITE	
015	G0546666	001	SUPPORT	SUPPORT	TRAEGER	SUPPORTO	
016	G4005790	001	FUSEE	SPINDLE	DREHZAPFEN	FUSO	
017	G4005800	001	TIRANT	TIE ROD	ZUGSTANGE	TIRANTE	
018	G4104650	001	BAGUE	BUSHING	HUELSE	BOCCOLA	
019	G4104730	001	COURONNE	GEAR, SUN	TELLERRAD	CORONA	
020	G4108520	001	CAME	CAM	STEUERSCHEIBE	CAMMA	
021	G4108530	001	TAMBOUR	DRUM	TROMMEL	TAMBURO	
022	G4108550	001	TOLE DE PROTECTION	SHIELD, RIGID	SCHUTZBLECH	LAMIERA DI PROTEZIONE	
023	G4108560	001	MOYEU	HUB	NABE	MOZZO	
024	G4108570	001	SOUFFLET	BELLOWS	FALTENBALG	SOFFIETTO	
025	H2400840	002	MACHOIRE	PTO, YOKE	GELENKGABEL	FORCELLA	
026	H2903830	008	GOUJON	STUD, THREADED	GEWINDESTIFT	SPINA	
027	K3014680	008	ECROU DE ROUE	NUT	MUTTER	DADO	
028	K8018150	001	RONDELLE	SUPPORTING RING	SCHEIBE	RONDELLA D'APPOGGIO	
029	K8018170	001	TOLE DE PROTECTION	SHIELD, RIGID	SCHUTZBLECH	LAMIERA DI PROTEZIONE	
030	K8018560	002	RESSORT DE TRACTION	SPRING, EXTENSION	ZUGFEDER	MOLLA DI TRAZIONE	





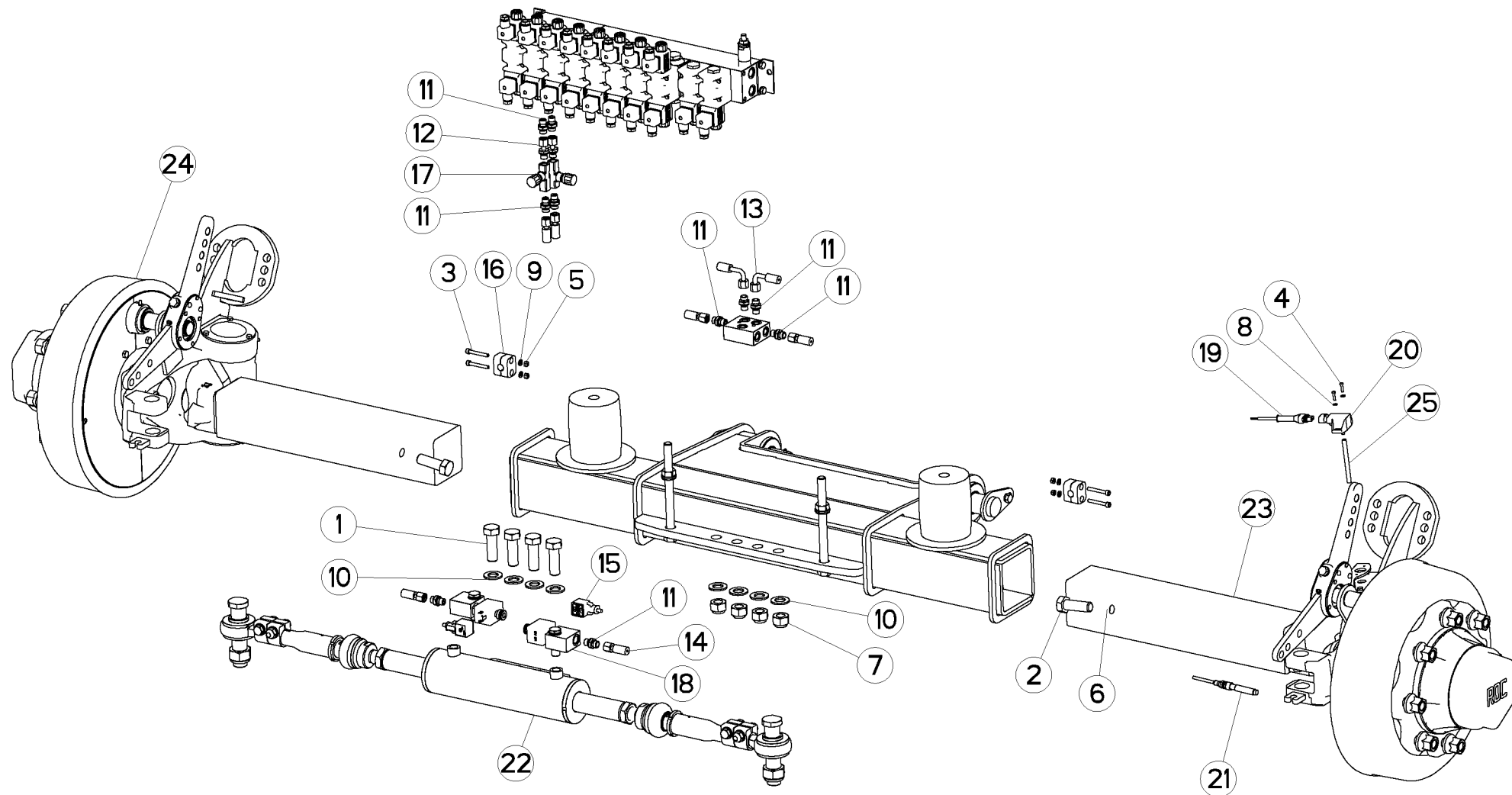
ESSIEU 400X80C EDR

AXLE 400X80C EDR

ACHSE 400X80C EDR

ASSALE 400X80C EDR

Rep	Nr	Qt	Designation	Description	Bezeichnung	Referenza	Remarque - Remark - Bemerkung - Osservazioni
001	80062058	004	VIS TETE HEXAGONALE FLZNNC	HEXAGON HEAD SCREW FLZNNC	SECHSKANTSCHRAUBE FLZNNC	VITE TESTA ESAGONALE FLZNNC	
002	80062063	002	VIS TETE HEXAGONALE INOX	HEXAGON HEAD SCREW INOX	SECHSKANTSCHRAUBE INOX	VITE A TESTA ESAGONALE INOX	
003	80080646	004	VIS TETE CYL.SIX P.CRE.INOX	HEX.SOCKET HEAD CAP SCREW INOX	ZYLINDERSCHR.INNENSECHSK.INOX	VITE A TESTA CILINDRICA INOX	
004	80100417	002	VIS TETE CYL.FENDUE INOX	SLOT.CHEES.HEAD SCREW INOX	ZYLINDERSCHAU.SCHLITZ INOX	VITE TESTA CILINDR.INOX	
005	80200631	004	ECROU HEX.BAS AUTOFR.INOX	SELF-LOCKING NUT INOX	SELBSTSICHERNDE MUTTER INOX	DADO AUTOBLOCCANTE INOX	
006	80202006	002	ECROU HEXAGONAL BAS INOX	HEXAGON THIN NUT INOX	FLACHE SECHSKANTMUTTER INOX	DADO INOX	
007	80202031	004	ECROU HEXAG.AUTOFREINE INOX	SELF-LOCKING NUT INOX	SELBSTSICHERNDE MUTTER INOX	DADO AUTOBLOCCANTE INOX	
008	80250410	002	RONDELLE PLATE INOX A2	PLAIN WASHER INOX A2	SCHEIBE INOX A2	RONDELLA PIATTALA INOX A2	
009	80250601	004	RONDELLE PLATE INOX A2	PLAIN WASHER INOX A2	SCHEIBE INOX A2	RONDELLA PIATTALA INOX A2	
010	80252141	008	RONDELLE PLATE INOX A2	PLAIN WASHER INOX A2	SCHEIBE INOX A2	RONDELLA PIATTALA INOX A2	
011	A4075005	002	ROBINET	VALVE, BALL	KUGELHAHN	ROBINETTO	
012	A4080487	008	UNION MALE FE/ZNNI	FITTING, HYDRAULIC, UNION	VERBINDUNG	CONNETTORE	
013	A4080488	002	UNION MALE FE/ZNNI	FITTING, HYDRAULIC, UNION	VERBINDUNG	CONNETTORE	
014	A4080529	002	ADAPTATEUR MALE FE/ZNNI	FITTING, HYDRAULIC, ADAPTER	ANBAUELEMENT	ADATTATORE	
015	A4080531	002	ADAPTATEUR MALE FE/ZNNI	FITTING, HYDRAULIC, ADAPTER	ANBAUELEMENT	ADATTATORE	
016	A4081313	002	BANJO NU FE/ZNNI8C	BANJO COUPLING FE/ZNNI8C	SCHWENKVERSCHRAUBUNG FE/ZNNI8C	ANELLO ORIENTABILE	
017	A4920148	002	FLEXIBLE	HOSE, HYDRAULIC	HYDRAULIKSCHLAUCH	TUBO IN GOMMA	<->1850 mm
018	A4920151	002	FLEXIBLE	HOSE, HYDRAULIC	HYDRAULIKSCHLAUCH	TUBO IN GOMMA	<->2750 mm
019	A7260024	002	COLLIER SIMPLE D14 NU	CLAMP D.14	SHELLE D.14	COLLARE D.14	
020	G0252820	002	ETRANGLEUR	ADAPTER, RESTRICTOR	OELDROSSEL	RIDUTTORE	
021	G0458340	001	CABLE 10M	CABLE	ELEKTROKABEL	CAVO ELETTRICO	
022	G0458365	001	CAPTEUR	SENSOR	SENSOR	SENSORE	
023	G0462360	001	CAPT.VITESSE	SENSOR	SENSOR+KABEL O.CAN-B-STECKER	SENSORE	
024	G4002790	001	BARRE	BAR	BALKEN	BARRA	
025	G4002920	001	DEMI-ESSIEU	AXLE, HALF	HALBACHSE	SEMIALBERO	
026	G4002930	001	DEMI-ESSIEU	AXLE, HALF	HALBACHSE	SEMIALBERO	
027	G4104840	001	TUBE	TUBE	ROHR	TUBO	
028	K9A170CE	001	PICTO.H	DECAL, SAFETY	PIKTOGR.H	ADESIVO	





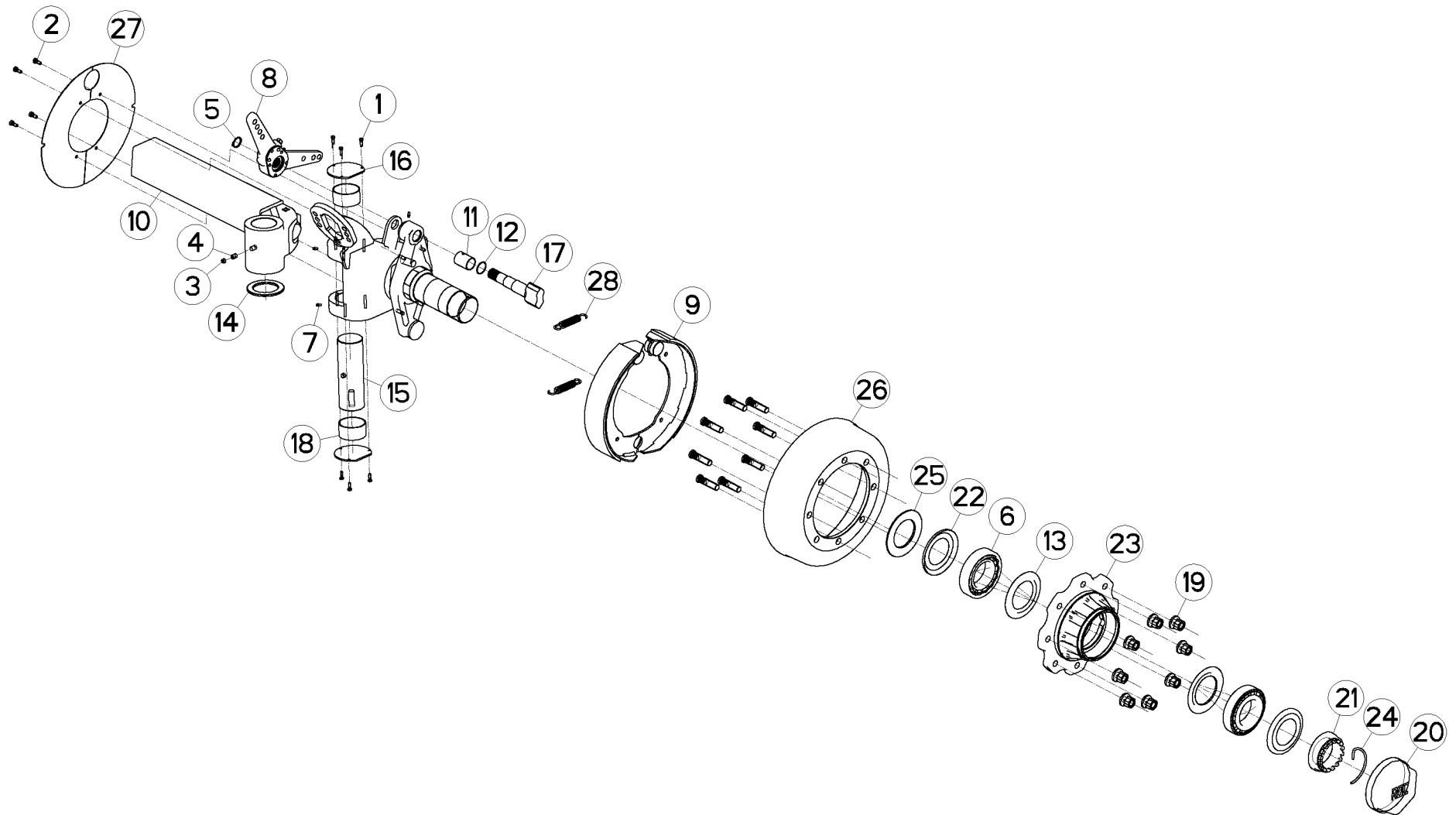
ESSIEU 400X80C EDR (ELECTRIQUE)

AXLE 400X80C EDR (ELECTRIC)

ACHSE 400X80C EDR (ELEKTRISCHE)

ASSALE 400X80C EDR (ELETTRICO)

Rep	Nr	Qt	Designation	Description	Bezeichnung	Referenza	Remarque - Remark - Bemerkung - Osservazioni
001	80062058	004	VIS TETE HEXAGONALE FLZNNC	HEXAGON HEAD SCREW FLZNNC	SECHSKANTSCHRAUBE FLZNNC	VITE TESTA ESAGONALE FLZNNC	
002	80062063	002	VIS TETE HEXAGONALE INOX	HEXAGON HEAD SCREW INOX	SECHSKANTSCHRAUBE INOX	VITE A TESTA ESAGONALE INOX	
003	80080646	004	VIS TETE CYL.SIX P.CRE.INOX	HEX.SOCKET HEAD CAP SCREW INOX	ZYLINDERSCHR.INNENSECHSK.INOX	VITE A TESTA CILINDRICA INOX	
004	80100417	002	VIS TETE CYL.FENDUE INOX	SLOT.CHEES.HEAD SCREW INOX	ZYLINDERSCHAU.SCHLITZ INOX	VITE TESTA CILINDR.INOX	
005	80200631	004	ECROU HEX.BAS AUTOFR.INOX	SELF-LOCKING NUT INOX	SELBSTSICHERNDE MUTTER INOX	DADO AUTOBLOCCANTE INOX	
006	80202006	002	ECROU HEXAGONAL BAS INOX	HEXAGON THIN NUT INOX	FLACHE SECHSKANTMUTTER INOX	DADO INOX	
007	80202031	004	ECROU HEXAG.AUTOFREINE INOX	SELF-LOCKING NUT INOX	SELBSTSICHERNDE MUTTER INOX	DADO AUTOBLOCCANTE INOX	
008	80250410	002	RONDELLE PLATE INOX A2	PLAIN WASHER INOX A2	SCHEIBE INOX A2	RONDELLA PIATTALA INOX A2	
009	80250601	004	RONDELLE PLATE INOX A2	PLAIN WASHER INOX A2	SCHEIBE INOX A2	RONDELLA PIATTALA INOX A2	
010	80252141	008	RONDELLE PLATE INOX A2	PLAIN WASHER INOX A2	SCHEIBE INOX A2	RONDELLA PIATTALA INOX A2	
011	A4080487	010	UNION MALE FE/ZNNI	FITTING, HYDRAULIC, UNION	VERBINDUNG	CONNETTORE	
012	A4080529	002	ADAPTATEUR MALE FE/ZNNI	FITTING, HYDRAULIC, ADAPTER	ANBAUELEMENT	ADATTATORE	
013	A4920148	002	FLEXIBLE	HOSE, HYDRAULIC	HYDRAULIKSCHLAUCH	TUBO IN GOMMA	<->1850 mm
014	A4920151	002	FLEXIBLE	HOSE, HYDRAULIC	HYDRAULIKSCHLAUCH	TUBO IN GOMMA	<->2750 mm
015	A7040473	002	CONNECTEUR	CONNECTOR	STECKER	CONNETTORE	
016	A7260024	002	COLLIER SIMPLE D14 NU	CLAMP D.14	SCHELLE D.14	COLLARE D.14	
017	G0252820	002	ETRANGLEUR	ADAPTER, RESTRICTOR	OELDROSSEL	RIDUTTORE	
018	G0411600	002	CLAPET	VALVE, FLAP	RUECKSCHLAGVENTIL	VALVOLA	
019	G0458340	001	CABLE 10M	CABLE	ELEKTROKABEL	CAVO ELETTRICO	
020	G0458365	001	CAPTEUR	SENSOR	SENSOR	SENSORE	
021	G0462360	001	CAPT.VITESSE	SENSOR	SENSOR+KABEL O.CAN-B-STECKER	SENSORE	
022	G4002790	001	BARRE	BAR	BALKEN	BARRA	
023	G4002920	001	DEMI-ESSIEU	AXLE, HALF	HALBACHSE	SEMIALBERO	
024	G4002930	001	DEMI-ESSIEU	AXLE, HALF	HALBACHSE	SEMIALBERO	
025	G4104840	001	TUBE	TUBE	ROHR	TUBO	





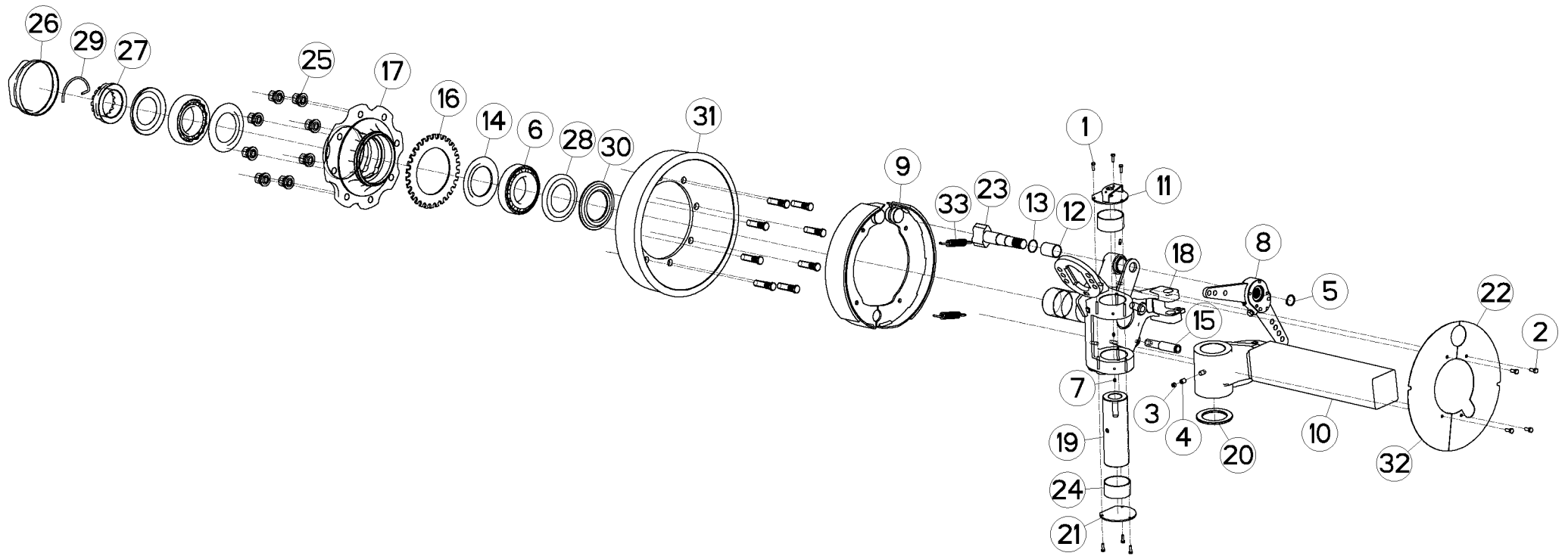
ESSIEU 1008XF EDR 400X80C (GAU)

AXLE 1008XF EDR 400X80C (LEFT)

ACHSE 1008XF EDR 400X80C (LINK)

ASSALE 1008XF EDR 400X80C (SX)

Rep	Nr	Qt	Designation	Description	Bezeichnung	Referenza	Remarque - Remark - Bemerkung - Osservazioni
001	80060620	006	VIS TETE HEXAGONALE FE/ZNXC3	HEXAGON HEAD SCREW FE/ZNXC3	SECHSKANTSCHRAUBE FE/ZNXC3	VITE TESTA ESAGONALE FE/ZNXC3	
002	80060820	004	VIS TETE HEXAGONALE FE/ZNXC3	HEXAGON HEAD SCREW FE/ZNXC3	SECHSKANTSCHRAUBE FE/ZNXC3	VITE TESTA ESAGONALE FE/ZNXC3	
003	80151212	001	VIS S/TETE B.CONIQ.HC	SET SCREW WITH CONE	GEWINDESTIFT MIT SPITZE		
004	80151220	001	VIS S/TETE B.CONIQ.HC	SET SCREW WITH CONE	GEWINDESTIFT MIT SPITZE		
005	80583000	001	CIRCLIP EXTERIEUR	RETAINING RING	SICHERUNGSRING	ANELLO	
006	81308505	002	ROULEMENT A ROULEAUX CONIQUES	TAPERED ROLLER BEARING	KEGELROLLENLAGER	CUSCINETTO A RULLI CR	
007	82200600	003	GRAISSEUR FE/ZNXC3	GREASE NIPPLE FE/ZNXC3	SCHMIERNIPPEL FE/ZNXC3	INGRASSATORE FE/ZNXC3	
008	G4002840	001	TIRANT	TIE ROD	ZUGSTANGE	TIRANTE	
009	G4002850	002	MACHOIRE	PTO, YOKE	GELENKGABEL	FORCELLA	
010	G4002980	001	CARRE	SQUARE	VIERKANNT	QUADRATO	
011	G4104650	001	BAGUE	BUSHING	HUELSE	BOCCOLA	
012	82063535	001	JOINT TORIQUE	O-RING	O-RING	GUARNIZIONE	
013	G4104700	002	RONDELLE	WASHER	SCHEIBE	RONDELLA PIATTA	
014	G4104780	001	RONDELLE	WASHER	SCHEIBE	RONDELLA PIATTA	
015	G4104790	001	AXE	PIN	ACHSE	ASSE	
016	G4104800	002	CHAPEAU	DUST CAP	KAPPE	CAPPELLO	
017	G4104820	001	CAME	CAM	STEUERSCHEIBE	CAMMA	
018	G4104830	002	BAGUE	BUSHING	HUELSE	BOCCOLA	
019	K3014680	008	ECROU DE ROUE	NUT	MUTTER	DADO	
020	K3014610	001	CHAPEAU M162X2	DUST CAP	KAPPE	CAPPELLO	
021	K3014620	001	ECROU HK	CASTLE NUT	KRONENMUTTER	DADO	
022	K3014650	002	RONDELLE D'ETANCHEITE	SEAL WASHER	SCHEIBE	RONDELLA	
023	K3014690	001	MOYEU TOURNE PERCE 908X-1008XF	HUB	NABE	MOZZO	
024	K3014700	001	GOUPILLE CAVALIERE	TUBE PIN	ROHRKLAPPSTECKER	PERNO	
025	K3014710	001	RONDELLE	SUPPORTING RING	SCHEIBE	RONDELLA D'APPOGGIO	
026	K8018160	001	TAMBOUR DE FREIN	BRAKE DRUM	BREMSTROMMEL	TAMBURO DI FRENO	
027	K8018170	002	TOLE DE PROTECTION	SHIELD, RIGID	SCHUTZBLECH	LAMIERA DI PROTEZIONE	
028	K8018560	002	RESSORT DE TRACTION	SPRING, EXTENSION	ZUGFEDER	MOLLA DI TRAZIONE	
029	A7039044	008	GOUJON D.18X150 <-> 46/70	STUD, THREADED	GEWINDESTIFT	SPINA	





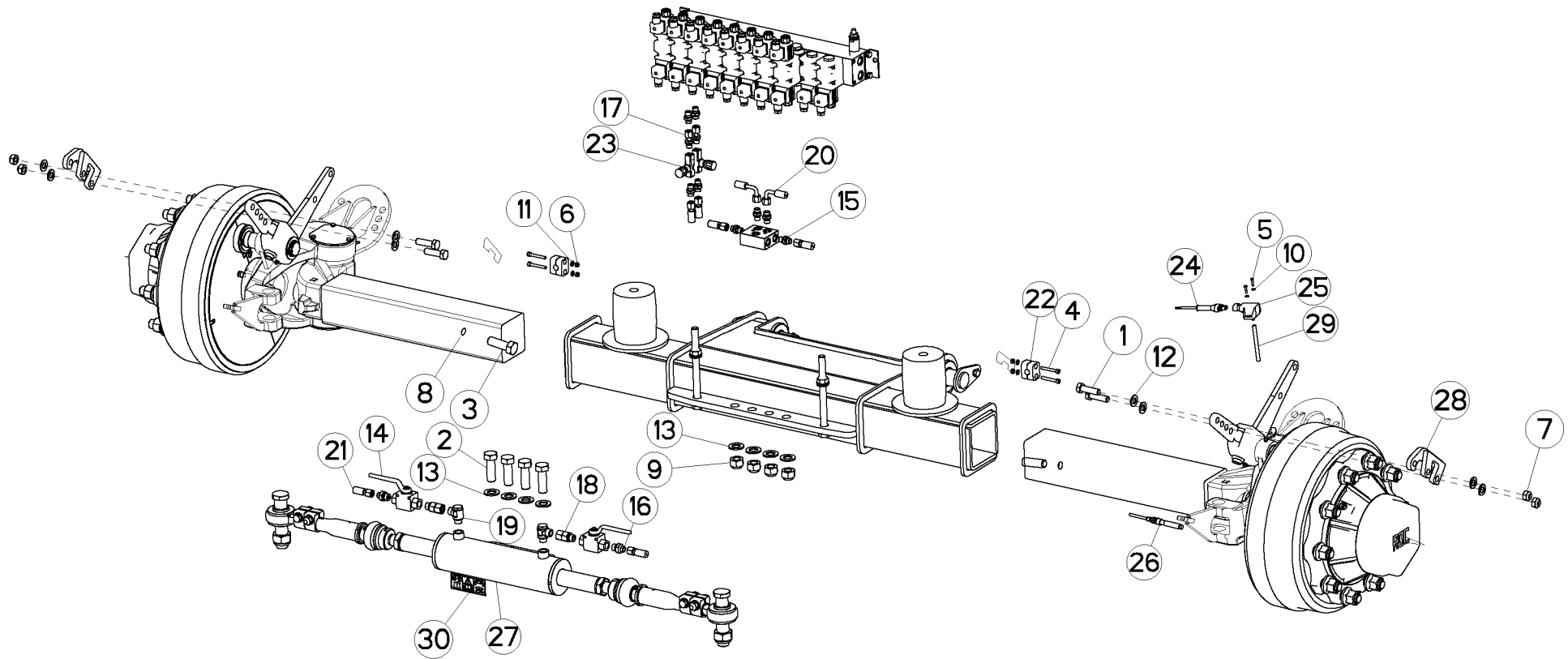
ESSIEU 1008XF EDR 400X80C (DRO)

AXLE 1008XF EDR 400X80C (RIGHT)

ACHSE 1008XF EDR 400X80C (RECH)

ASSALE 1008XF EDR 400X80C (DX)

Rep	Nr	Qt	Designation	Description	Bezeichnung	Referenza	Remarque - Remark - Bemerkung - Osservazioni
001	80060620	006	VIS TETE HEXAGONALE FE/ZNXC3	HEXAGON HEAD SCREW FE/ZNXC3	SECHSKANTSCHRAUBE FE/ZNXC3	VITE TESTA ESAGONALE FE/ZNXC3	
002	80060820	004	VIS TETE HEXAGONALE FE/ZNXC3	HEXAGON HEAD SCREW FE/ZNXC3	SECHSKANTSCHRAUBE FE/ZNXC3	VITE TESTA ESAGONALE FE/ZNXC3	
003	80151212	001	VIS S/TETE B.CONIQ.HC	SET SCREW WITH CONE	GEWINDESTIFT MIT SPITZE		
004	80151220	001	VIS S/TETE B.CONIQ.HC	SET SCREW WITH CONE	GEWINDESTIFT MIT SPITZE		
005	80583000	001	CIRCLIP EXTERIEUR	RETAINING RING	SICHERUNGSRING	ANELLO	
006	81308505	002	ROULEMENT A ROULEAUX CONIQUES	TAPERED ROLLER BEARING	KEGELROLLENLAGER	CUSCINETTO A RULLI CR	
007	82200600	003	GRAISSEUR FE/ZNXC3	GREASE NIPPLE FE/ZNXC3	SCHMIERNIPPEL FE/ZNXC3	INGRASSATORE FE/ZNXC3	
008	G4002840	001	TIRANT	TIE ROD	ZUGSTANGE	TIRANTE	
009	G4002850	002	MACHOIRE	PTO, YOKE	GELENKGABEL	FORCELLA	
010	G4002990	001	CARRE	SQUARE	VIERKANNT	QUADRATO	
011	G4003010	001	CHAPEAU	DUST CAP	KAPPE	CAPPELLO	
012	G4104650	001	BAGUE	BUSHING	HUELSE	BOCCOLA	
013	82063535	001	JOINT TORIQUE	O-RING	O-RING	GUARNIZIONE	
014	G4104700	002	RONDELLE	WASHER	SCHEIBE	RONDELLA PIATTA	
015	G4104720	001	SUPPORT	SUPPORT	TRAEGER	SUPPORTO	
016	G4104730	001	COURONNE	GEAR, SUN	TELLERRAD	CORONA	
017	G4104740	001	MOYEU	HUB	NABE	MOZZO	
018	G4104760	001	CORPS	BODY	KÖRPER	CORPO	
019	G4104770	001	AXE	PIN	ACHSE	ASSE	
020	G4104780	001	RONDELLE	WASHER	SCHEIBE	RONDELLA PIATTA	
021	G4104800	001	CHAPEAU	DUST CAP	KAPPE	CAPPELLO	
022	G4104810	001	TOLE DE PROTECTION	SHIELD, RIGID	SCHUTZBLECH	LAMIERA DI PROTEZIONE	
023	G4104820	001	CAME	CAM	STEUERSCHEIBE	CAMMA	
024	G4104830	002	BAGUE	BUSHING	HUELSE	BOCCOLA	
025	K3014680	008	ECROU DE ROUE	NUT	MUTTER	DADO	
026	K3014610	001	CHAPEAU M162X2	DUST CAP	KAPPE	CAPPELLO	
027	K3014620	001	ECROU HK	CASTLE NUT	KRONENMUTTER	DADO	
028	K3014650	002	RONDELLE D'ETANCHEITE	SEAL WASHER	SCHEIBE	RONDELLA	
029	K3014700	001	GOUPILLE CAVALIERE	TUBE PIN	ROHRKLAPPSTECKER	PERNO	
030	K3014710	001	RONDELLE	SUPPORTING RING	SCHEIBE	RONDELLA D'APPOGGIO	
031	K8018160	001	TAMBOUR DE FREIN	BRAKE DRUM	BREMSTROMMEL	TAMBURO DI FRENO	
032	K8018170	001	TOLE DE PROTECTION	SHIELD, RIGID	SCHUTZBLECH	LAMIERA DI PROTEZIONE	
033	K8018560	002	RESSORT DE TRACTION	SPRING, EXTENSION	ZUGFEDER	MOLLA DI TRAZIONE	
034	A7039044	008	GOUJON D.18X150 <-> 46/70	STUD, THREADED	GEWINDESTIFT	SPINA	





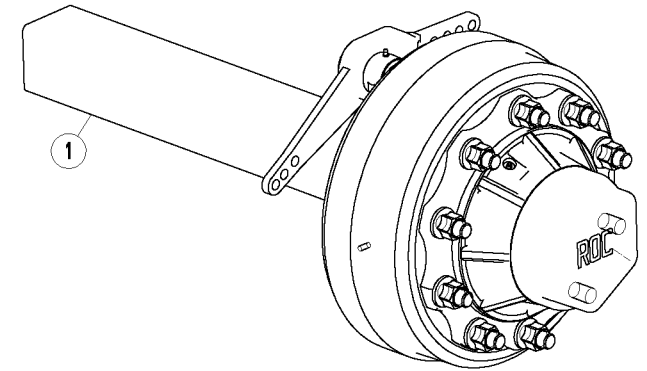
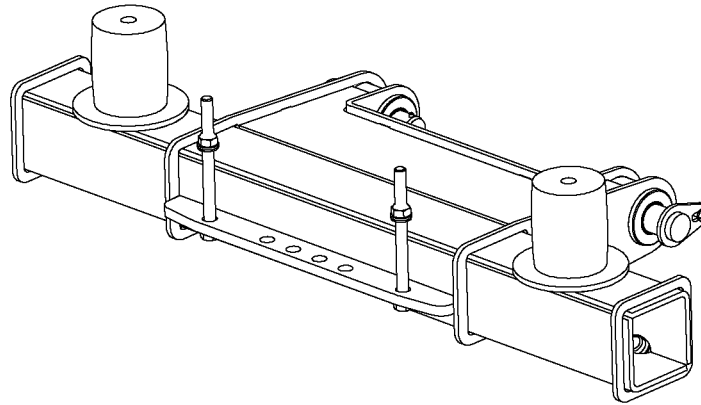
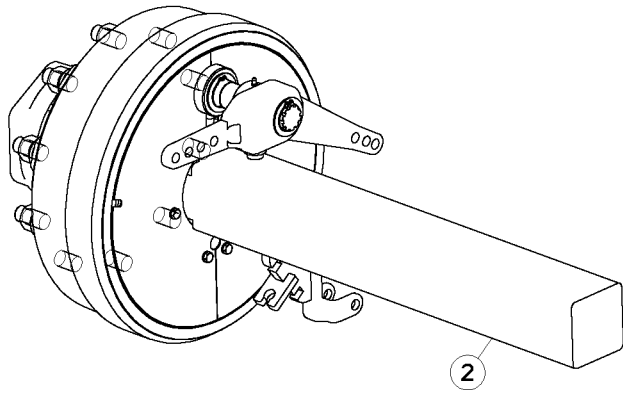
ESSIEU 406X120 EDR

AXLE 406X120 EDR

ACHSE 406X120 EDR

ASSALE 406X120 EDR

Rep	Nr	Qt	Designation	Description	Bezeichnung	Referenza	Remarque - Remark - Bemerkung - Osservazioni
001	80061464	004	VIS TETE HEXAGONALE INOX				
002	80062058	004	VIS TETE HEXAGONALE FLZNNC	HEXAGON HEAD SCREW FLZNNC	SECHSKANTSCHRAUBE FLZNNC	VITE TESTA ESAGONALE FLZNNC	
003	80062063	002	VIS TETE HEXAGONALE INOX	HEXAGON HEAD SCREW INOX	SECHSKANTSCHRAUBE INOX	VITE A TESTA ESAGONALE INOX	
004	80080646	004	VIS TETE CYL.SIX P.CRE.INOX	HEX.SOCKET HEAD CAP SCREW INOX	ZYLINDERSCHR.INNENSECHSK.INOX	VITE A TESTA CILINDRICA INOX	
005	80100417	002	VIS TETE CYL.FENDUE INOX	SLOT.CHEES.HEAD SCREW INOX	ZYLINDERSCHAU.SCHLITZ INOX	VITE TESTA CILINDR.INOX	
006	80200631	004	ECROU HEX.BAS AUTOFR.INOX	SELF-LOCKING NUT INOX	SELBSTSICHERNDE MUTTER INOX	DADO AUTOBLOCCANTE INOX	
007	80201431	004	ECROU HEX.BAS AUTOFR.INOX	SELF-LOCKING NUT INOX	SELBSTSICHERNDE MUTTER INOX	DADO AUTOBLOCCANTE INOX	
008	80202006	002	ECROU HEXAGONAL BAS INOX	HEXAGON THIN NUT INOX	FLACHE SECHSKANTMUTTER INOX	DADO INOX	
009	80202031	004	ECROU HEXAG.AUTOFREINE INOX	SELF-LOCKING NUT INOX	SELBSTSICHERNDE MUTTER INOX	DADO AUTOBLOCCANTE INOX	
010	80250410	002	RONDELLE PLATE INOX A2	PLAIN WASHER INOX A2	SCHEIBE INOX A2	RONDELLA PIATTALA INOX A2	
011	80250601	004	RONDELLE PLATE INOX A2	PLAIN WASHER INOX A2	SCHEIBE INOX A2	RONDELLA PIATTALA INOX A2	
012	80251400	008	RONDELLE PLATE INOX A2	PLAIN WASHER INOX A2	SCHEIBE INOX A2	RONDELLA PIATTALA INOX A2	
013	80252141	008	RONDELLE PLATE INOX A2	PLAIN WASHER INOX A2	SCHEIBE INOX A2	RONDELLA PIATTALA INOX A2	
014	A4075005	002	ROBINET	VALVE, BALL	KUGELHAHN	ROBINETTO	
015	A4080487	008	UNION MALE FE/ZNNI	FITTING, HYDRAULIC, UNION	VERBINDUNG	CONNETTORE	
016	A4080488	002	UNION MALE FE/ZNNI	FITTING, HYDRAULIC, UNION	VERBINDUNG	CONNETTORE	
017	A4080529	002	ADAPTATEUR MALE FE/ZNNI	FITTING, HYDRAULIC, ADAPTER	ANBAUELEMENT	ADATTATORE	
018	A4080531	002	ADAPTATEUR MALE FE/ZNNI	FITTING, HYDRAULIC, ADAPTER	ANBAUELEMENT	ADATTATORE	
019	A4081313	002	BANJO NU FE/ZNNI8C	BANJO COUPLING FE/ZNNI8C	SCHWENKVERSCHRAUBUNG FE/ZNNI8C	ANNELLO ORIENTABILE	
020	A4920148	002	FLEXIBLE	HOSE, HYDRAULIC	HYDRAULIKSCHLAUCH	TUBO IN GOMMA	<->1850 mm
021	A4920151	002	FLEXIBLE	HOSE, HYDRAULIC	HYDRAULIKSCHLAUCH	TUBO IN GOMMA	<->2750 mm
022	A7260024	002	COLLIER SIMPLE D14 NU	CLAMP D.14	SHELLE D.14	COLLARE D.14	
023	G0252820	002	ETRANGLEUR	ADAPTER, RESTRICTOR	OELDROSSEL	RIDUTTORE	
024	G0458340	001	CABLE 10M	CABLE	ELEKTROKABEL	CAVO ELETTRICO	
025	G0458365	001	CAPTEUR	SENSOR	SENSOR	SENSORE	
026	G0462360	001	CAPT.VITESSE	SENSOR	SENSOR+KABEL O.CAN-B-STECKER	SENSORE	
027	G4002790	001	BARRE	BAR	BALKEN	BARRA	
028	G4004330	002	RALLONGE	ROD	STANGE		
029	G4104840	001	TUBE	TUBE	ROHR	TUBO	
030	K9A170CE	001	PICTO.H	DECAL, SAFETY	PIKTOGR.H	ADESIVO	





METRIS

G40R0359 A

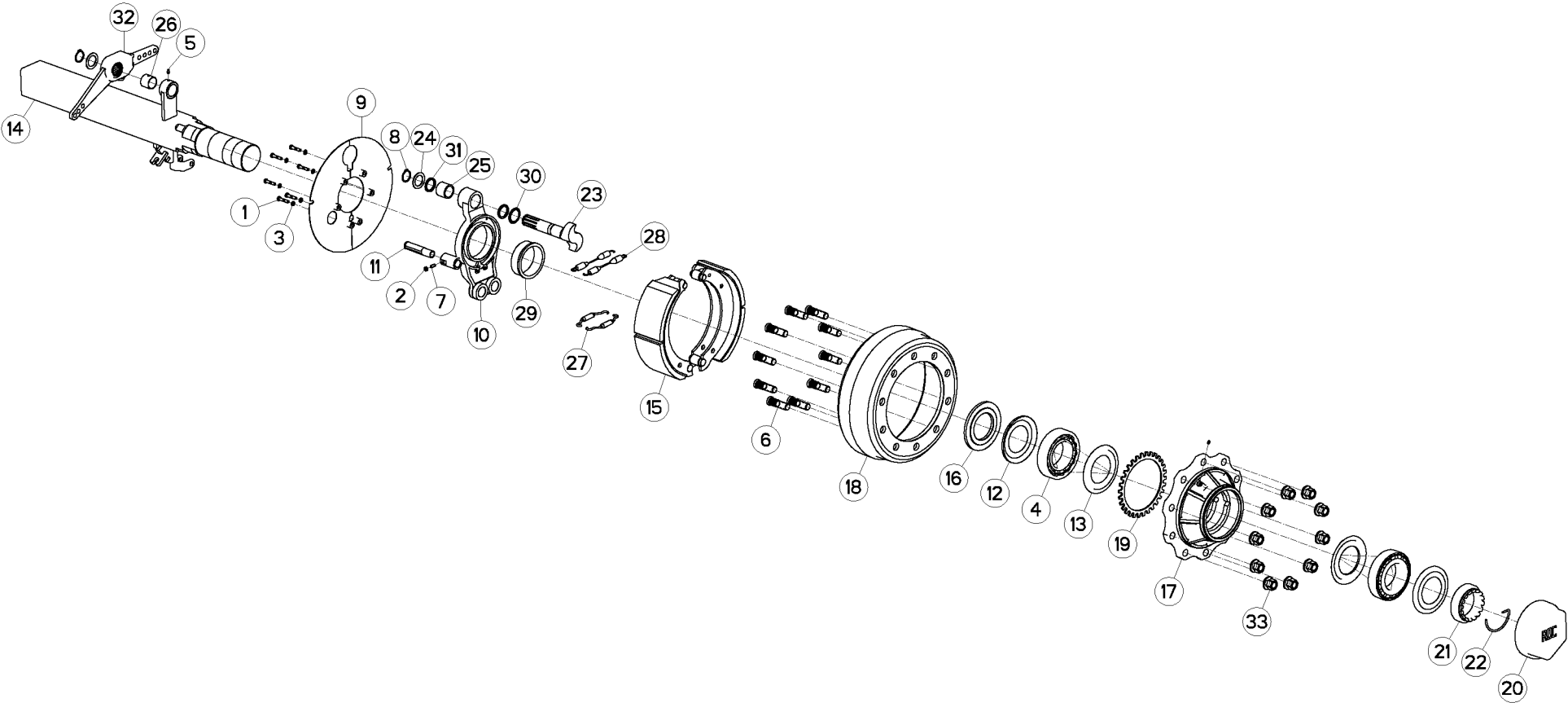
ESSIEU FIXE 406X120

FIXED AXLE 406X120

STARRE ACHSE 406X120

ASSALE FISSO 406X120

Rep	Nr	Qt	Designation	Description	Bezeichnung	Referenza	Remarque - Remark - Bemerkung - Osservazioni
001	G0546471	001	1/2 ESSIEU 406X120 DROIT				
002	G0546472	001	DEMI-ESSIEU	AXLE, HALF	HALBACHSE	SEMIALBERO	





METRIS

G90R0067 A

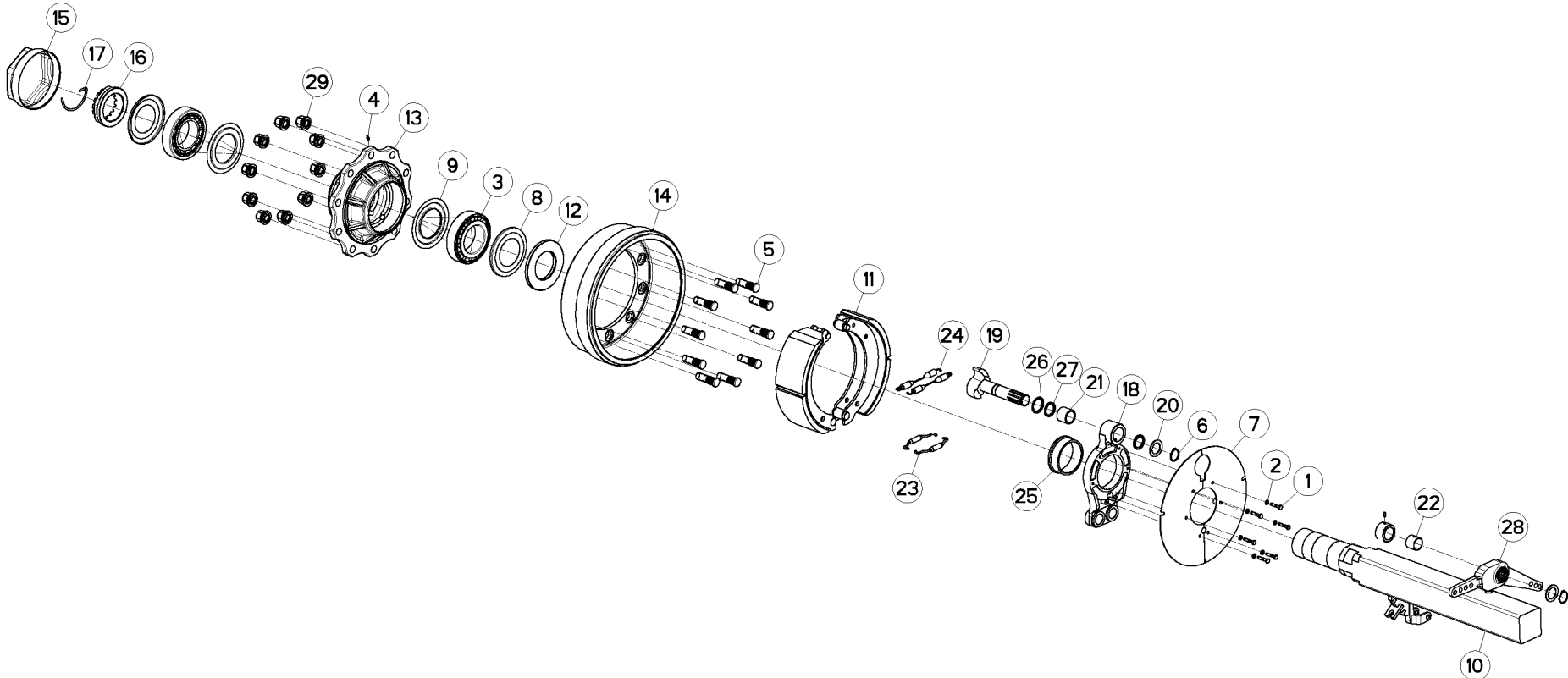
ESSIEU 1/2 406X120 (DROITE)

AXLE 1/2 406X120 (RIGHT)

ACHSE 1/2 406X120 (RECHTS)

ASSALE 1/2 406X120 (DX)

Rep	Nr	Qt	Designation	Description	Bezeichnung	Referenza	Remarque - Remark - Bemerkung - Osservazioni
001	80060840	006	VIS TETE HEXAGONALE FE/ZNXC3	HEXAGON HEAD SCREW FE/ZNXC3	SECHSKANTSCHRAUBE FE/ZNXC3	VITE TESTA ESAGONALE FE/ZNXC3	
002	80200806	001	ECROU HEXAGONAL BAS FE/ZNXC3	NUT FE/ZNXC3	SECHSKANTMUTTER FE/ZNXC3	DADO FE/ZNXC3	
003	80270803	006	RONDELLE GROWER FE/ZNXC3	SPRING LOCK WASHER FE/ZNXC3	FEDERRING FE/ZNXC3	RONDELLA GROWER FE/ZNXC3	
004	81309517	002	ROULEMENT A ROULEAUX CONIQUES	TAPERED ROLLER BEARING	KEGELROLLENLAGER	CUSCINETTO A RULLI	
005	82200616	002	GRAISSEUR AUTOTAR.FE/ZNXC3	TAPPING GREASE NIPPLE FE/ZNXC3	GEWINDESCH.SCHMIERNIP.FE/ZNXC3	INGRASSATORE FE/ZNXC3	
006	A7039175	010	GOUJON DE ROUE LONG M22X1,5	LOCKINGPIN	SCHIEBESTIFT	SPINA	
007	G0277772	001	VIS	SCREW	SCHRAUBE	VITE	
008	G0500010	002	CIRCLIP	SNAP RING	SICHERUNGSRING	ANELLO ELASTICO	
009	G0500020	001	TOLE	SHEET	BLECH	TELA	
010	G0500030	001	SUPPORT	SUPPORT	TRAEGER	SUPPORTO	
011	G0546407	001	SUPPORT	SUPPORT	TRAEGER	SUPPORTO	
012	G0546463	002	JOINT METAL 32219				
013	G0546464	002	RONDELLE D'ETANCHEITE				
014	G0546473	001	FUSEE SOUDEE 1010 DR				
015	G0546475	002	MACHOIRE 406X120				
016	G0546479	001	RONDELLE D.95X169,5X12				
017	G0546480	001	MOYEU 1010XFR DR				
018	G0546482	001	TAMBOUR	DRUM	TROMMEL	TAMBURO	
019	G0546485	001	COURONNE CAPTAGE 216				
020	G0546486	001	CHAPEAU M195X200				
021	G0546487	001	ECROU HK M95X2				
022	G0546488	001	GOUPILLE D.5.5				
023	G0546492	001	CAME 406X120 L= 189				
024	G0546494	002	RONDELLE D'APPUI CAME				
025	G0546495	001	BAGUE	BUSHING	HUELSE	BOCCOLA	
026	G0546496	001	BAGUE ANTI FRICTION				
027	G0546497	002	RESSORT COURT				
028	G0546498	002	RESSORT LONG				
029	G0546499	001	BAGUE	BUSHING	HUELSE	BOCCOLA	
030	G0546617	001	RONDELLE BELLVILLE D.40				
031	G0546618	002	JOINT TETE DE CAME				
032	G0546620	001	BIELLE DOUBLE				
033	K3014640	010	ECROU	NUT	MUTTER	DADO	





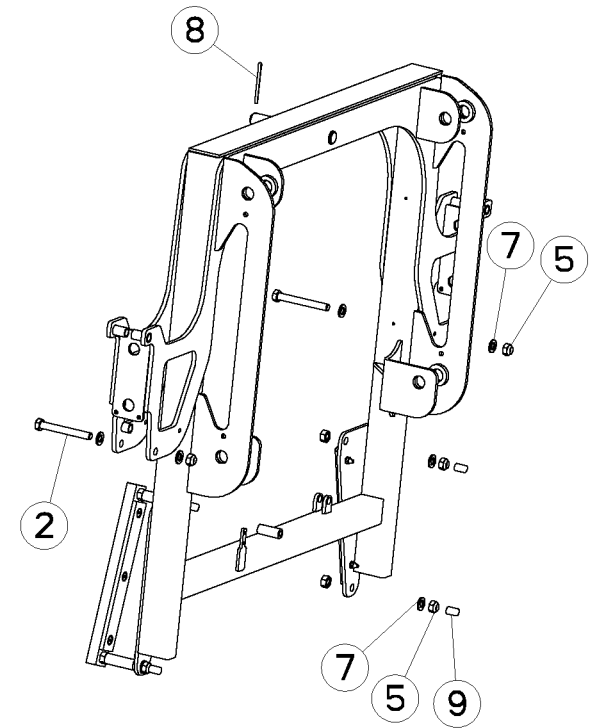
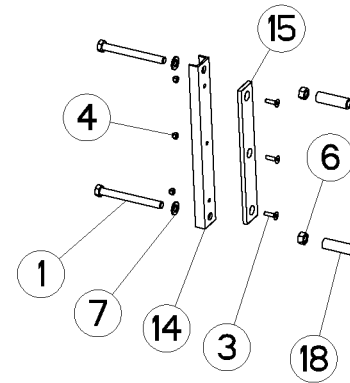
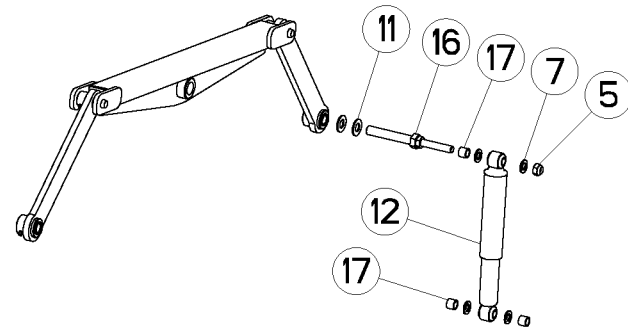
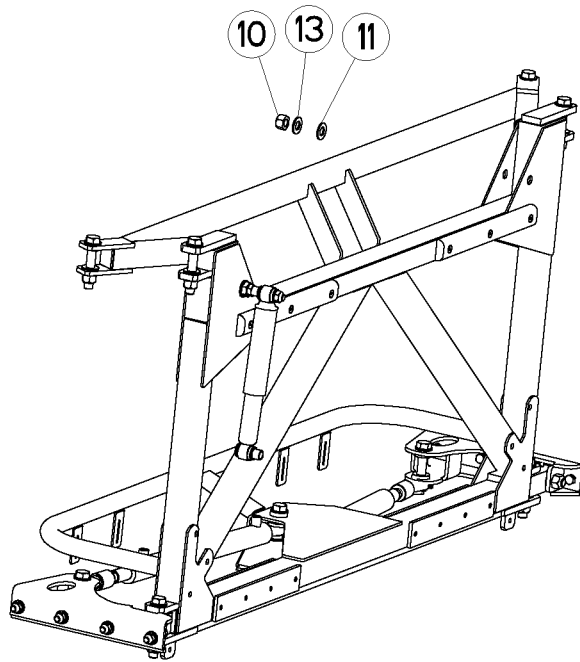
ESSIEU 1/2 406X120 (GAUCHE)

AXLE 1/2 406X120 (LEFT)

ACHSE 1/2 406X120 (LINKS)

ASSALE 1/2 406X120 (SX)

Rep	Nr	Qt	Designation	Description	Bezeichnung	Referenza	Remarque - Remark - Bemerkung - Osservazioni
001	80060840	006	VIS TETE HEXAGONALE FE/ZNXC3	HEXAGON HEAD SCREW FE/ZNXC3	SECHSKANTSCHRAUBE FE/ZNXC3	VITE TESTA ESAGONALE FE/ZNXC3	
002	80270803	006	RONDELLE GROWER FE/ZNXC3	SPRING LOCK WASHER FE/ZNXC3	FEDERRING FE/ZNXC3	RONDELLA GROWER FE/ZNXC3	
003	81309517	002	ROULEMENT A ROULEAUX CONIQUES	TAPERED ROLLER BEARING	KEGELROLLENLAGER	CUSCINETTO A RULLI	
004	82200616	002	GRAISSEUR AUTOTAR.FE/ZNXC3	TAPPING GREASE NIPPLE FE/ZNXC3	GEWINDESCH.SCHMIERNIP.FE/ZNXC3	INGRASSATORE FE/ZNXC3	
005	A7039175	010	GOUJON DE ROUE LONG M22X1,5	LOCKINGPIN	SCHIEBESTIFT	SPINA	
006	G0500010	002	CIRCLIP	SNAP RING	SICHERUNGSRING	ANELLO ELASTICO	
007	G0500040	001	TOLE	SHEET	BLECH	TELA	
008	G0546463	002	JOINT METAL 32219				
009	G0546464	002	RONDELLE D'ETANCHEITE				
010	G0546474	001	FUSEE SOUDEE GAUCHE				
011	G0546475	002	MACHOIRE 406X120				
012	G0546479	001	RONDELLE D.95X169,5X12				
013	G0546481	001	MOYEU 1010XFR GAUCHE				
014	G0546482	001	TAMBOUR	DRUM	TROMMEL	TAMBURO	
015	G0546486	001	CHAPEAU M195X200				
016	G0546487	001	ECROU HK M95X2				
017	G0546488	001	GOUPILLE D.5.5				
018	G0546489	001	SUPPORT MACHOIRE 406X120				
019	G0546492	001	CAME 406X120 L= 189				
020	G0546494	002	RONDELLE D'APPUI CAME				
021	G0546495	001	BAGUE	BUSHING	HUELSE	BOCCOLA	
022	G0546496	001	BAGUE ANTI FRICTION				
023	G0546497	002	RESSORT COURT				
024	G0546498	002	RESSORT LONG				
025	G0546499	001	BAGUE	BUSHING	HUELSE	BOCCOLA	
026	G0546617	001	RONDELLE BELLVILLE D.40				
027	G0546618	002	JOINT TETE DE CAME				
028	G0546620	001	BIELLE DOUBLE				
029	K3014640	010	ECROU	NUT	MUTTER	DADO	





METRIS

G40R0309 A

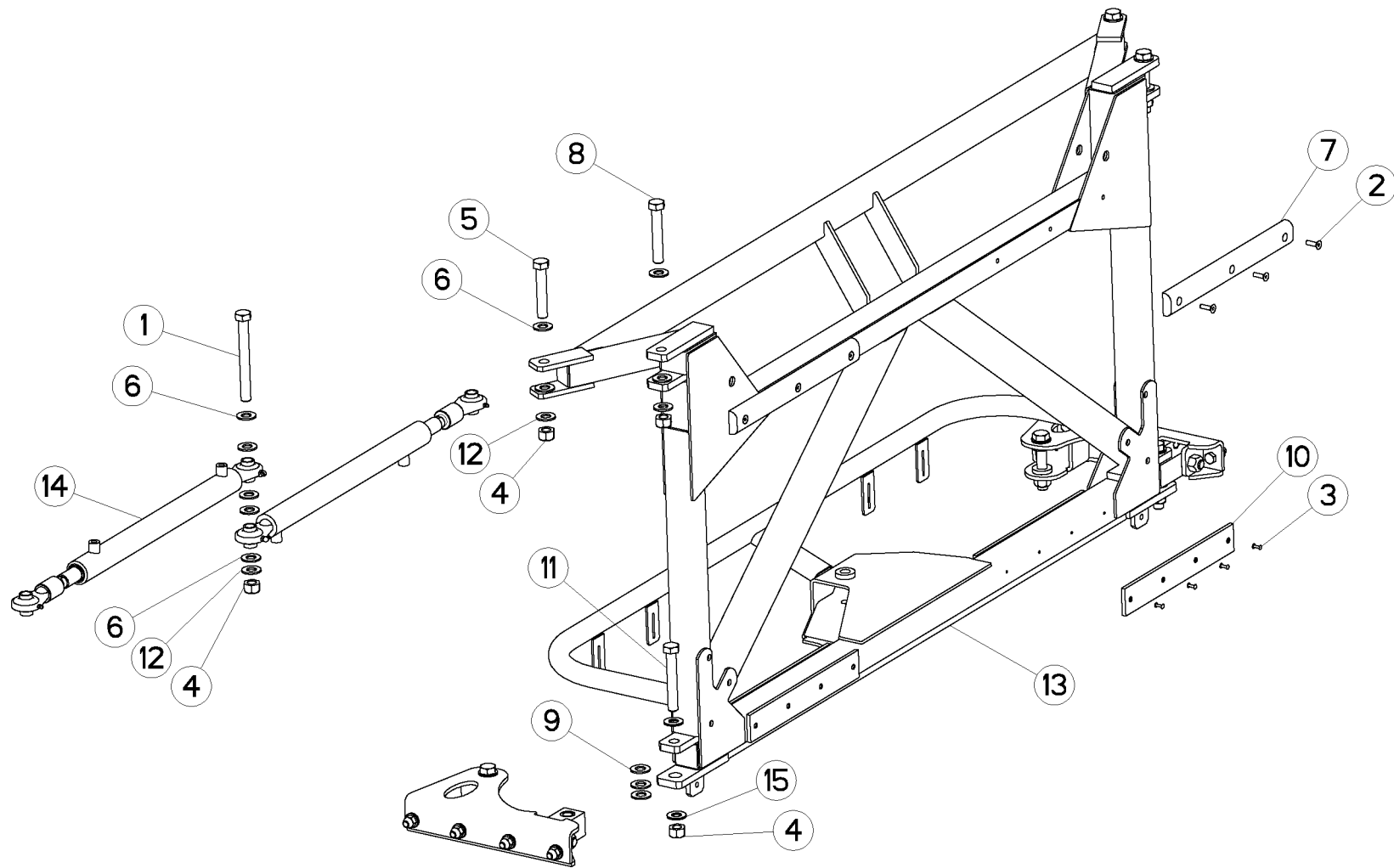
CADRE CENTRAL RHPA TR4 RBA

MAIN FRAME RHPA TR4 RBA

HAUPTTRAHMEN RHPA TR4 RBA

TELAIO RHPA TR4 RBA

Rep	Nr	Qt	Designation	Description	Bezeichnung	Referenza	Remarque - Remark - Bemerkung - Osservazioni
001	80061604	004	VIS TETE HEXAGONALE INOX	HEXAGON HEAD SCREW INOX	SECHSKANTSCHRAUBE INOX	VITE A TESTA ESAGONALE INOX	
002	80061611	002	VIS TETE HEXAGONALE INOX				
003	80110825	006	VIS TETE FRAI.SIX P.CRE.INOX	HEX.SOCK.COUNT.HEAD SCREW INOX	SENKSCHAUB.INNENSECHSK.INOX	VITE INOX	
004	80200831	006	ECROU HEXAG.AUTOFREINE INOX	SELF-LOCKING NUT INOX	SELBSTSICHERNDE MUTTER INOX	DADO AUTOBLOCCANTE INOX	
005	80201631	008	ECROU HEX.BAS AUTOFR.INOX	SELF-LOCKING NUT INOX	SELBSTSICHERNDE MUTTER INOX	DADO AUTOBLOCCANTE INOX	
006	80201671	008	ECROU HEXAGONAL INOX	HEXAGON NUT INOX	SECHSKANTMUTTER INOX	DADO INOX	
007	80251601	020	RONDELLE PLATE INOX A2	PLAIN WASHER INOX A2	SCHEIBE INOX A2	RONDELLA PIATTALA INOX A2	
008	80500579	001	GOUPILLE FENDUE FE/ZNXC3	SPLIT PIN FE/ZNXC3	SPLINT FE/ZNXC3	COPPIGLIA FE/ZNXC3	
009	83040212	004	CACHE VIS VINYLE NOIR				
010	G0470003	002	ECROU BAS				
011	G0470007	006	RONDELLE DIAM 20				
012	G0470015	002	AMORTISSEUR	SHOCK ABSORBER	STOSSDAEMPFER	AMMORTIZZATORE	
013	G0542807	002	RONDELLE D.20				
014	G0769192	002	BUTEE	STOP	ANSCHLAG	LIMITATORE	
015	G0769196	002	PATIN	SKID	GLEITKUFE	PATTINO	
016	G0769674	002	SUPPORT	SUPPORT	TRAEGER	SUPPORTO	
017	G0769675	006	DOUILLE ENTREROISE FIX.AMORT.				
018	G9101460	004	TUYAU	PIPE	ROHR	TUBO	Ø 16 <->80





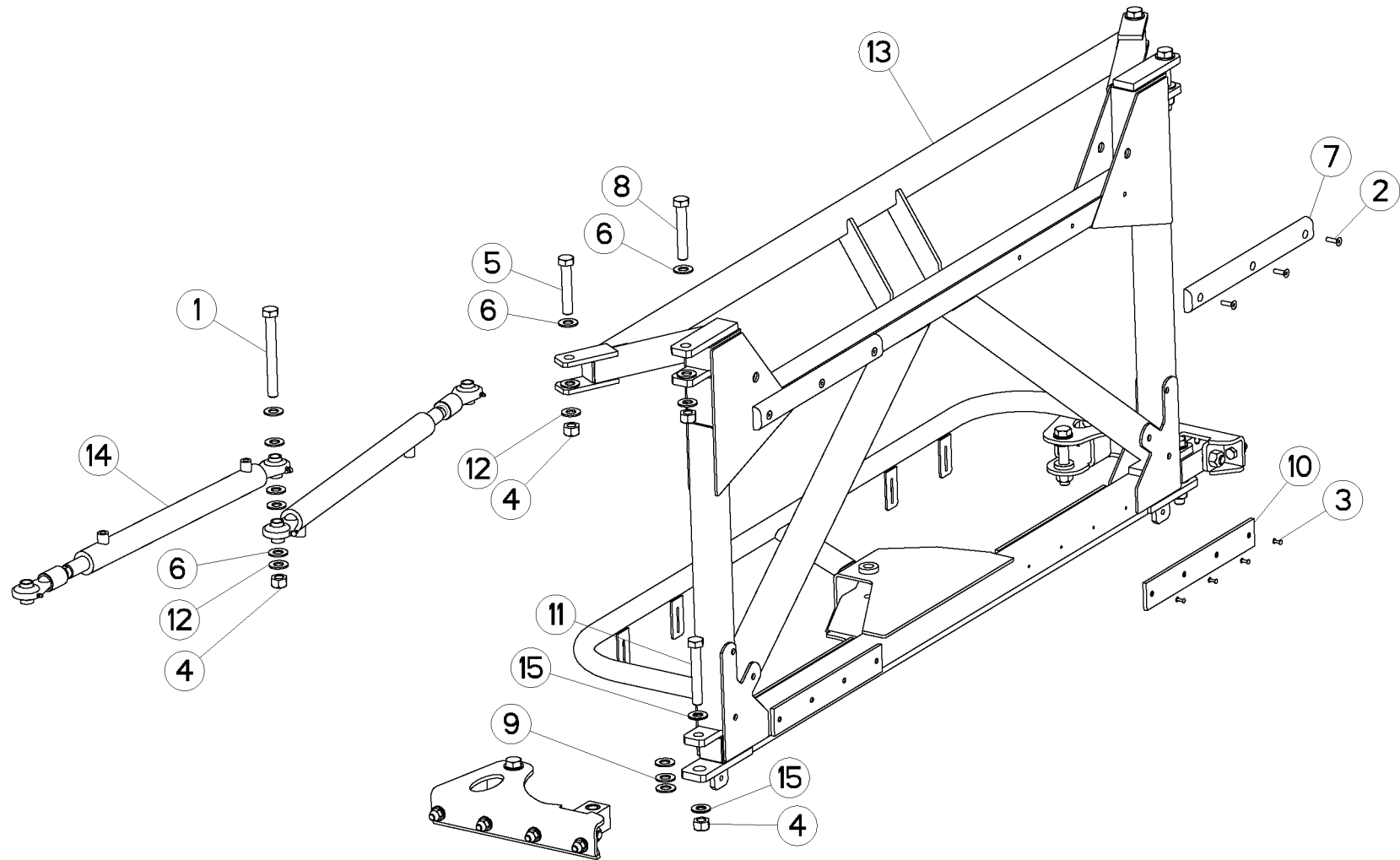
CADRE CENTRAL RHPA <= 24M TRAI

MAIN FRAME RHPA <= 24M TRaine

HAUPTRAHMEN RHPA <= 24M TRaine

TELAIO RHPA <= 24M TRaine

Rep	Nr	Qt	Designation	Description	Bezeichnung	Referenza	Remarque - Remark - Bemerkung - Osservazioni
001	80062016	001	VIS TETE HEXAGONALE FLZNNC	SCREW, HEX HEAD FLZNNC	SECHSKANTSCHRAUBE FLZNNC	VITE A TESTA ESAGONALE FLZNNC	
002	80110825	006	VIS TETE FRAI.SIX P.CRE.INOX	HEX.SOCK.COUNT.HEAD SCREW INOX	SENKSCHRAUB.INNENSECHSK.INOX	VITE INOX	
003	80370405	015	RIVET AVEUGLE CLOU TP	RIVET	NIETE	RIVETTO	
004	G0470003	007	ECROU BAS				
005	G0470006	002	VIS TH 20X100				
006	G0470007	017	RONDELLE DIAM 20				
007	G0470023	002	PATIN	SKID	GLEITKUFE	PATTINO	
008	G0470028	002	VIS TH 20X120				
009	G0470038	006	RONDELLE DIAM 20				
010	G0470059	004	PATIN	SKID	GLEITKUFE	PATTINO	
011	G0470108	002	VIS TH 20X130				
012	G0542807	005	RONDELLE D.20				
013	G0542890	001	CADRE RHPA ANTI-FOUETTEMENT NU				
014	G0542896	002	VERIN	CYLINDER, HYDRAULIC	HYDRAULIKZYLINDER	CILINDRO	
015	G0547352	004	RONDELLE	WASHER	SCHEIBE	RONDELLA PIATTA	





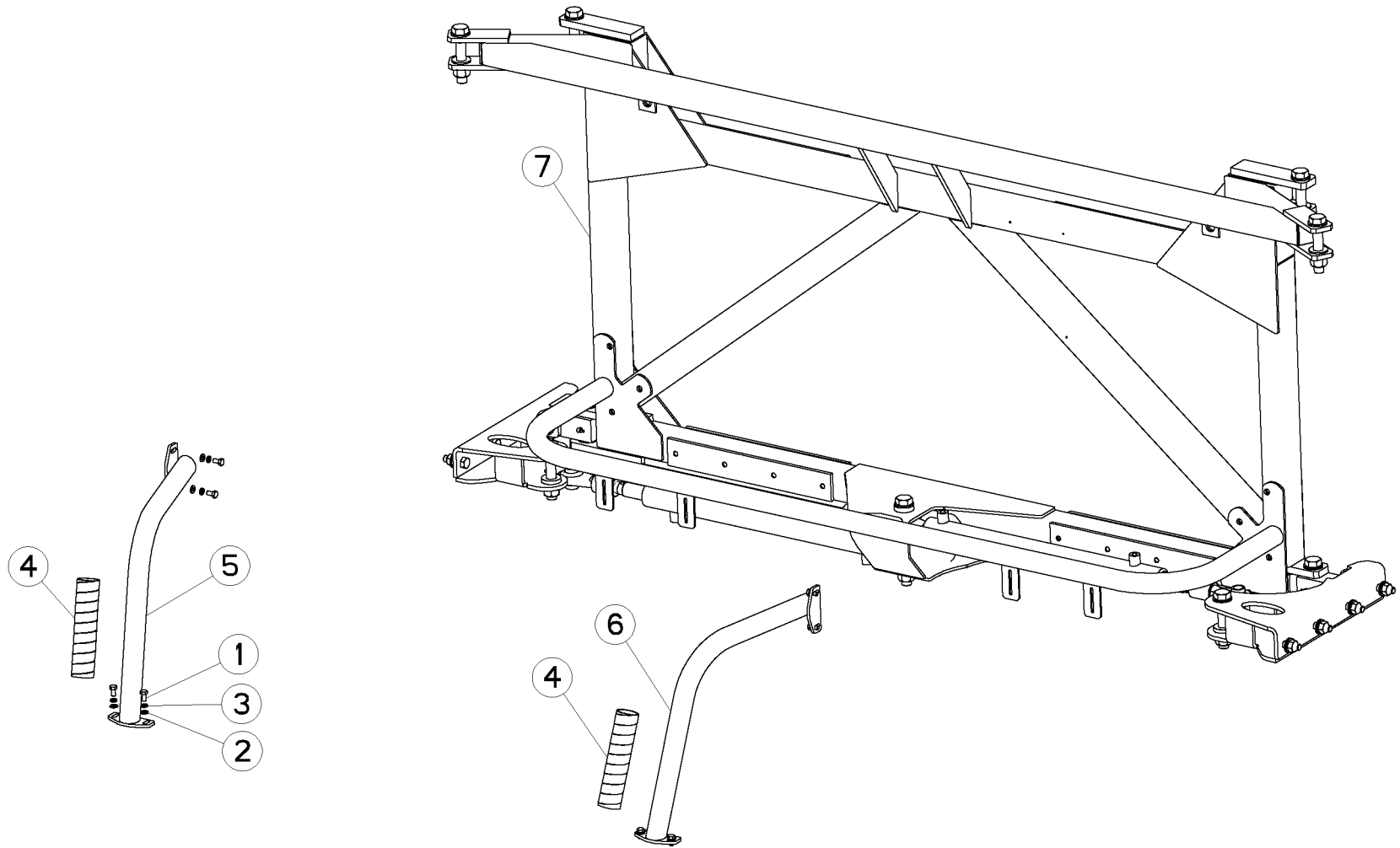
CADRE CENTRAL RHPA > 24M TRAIN

MAIN FRAME RHPA > 24M TRaine

HAUPTRAHMEN RHPA > 24M TRaine

TELAIO RHPA > 24M TRaine

Rep	Nr	Qt	Designation	Description	Bezeichnung	Referenza	Remarque - Remark - Bemerkung - Osservazioni
001	80062016	001	VIS TETE HEXAGONALE FLZNNC	SCREW, HEX HEAD FLZNNC	SECHSKANTSCHRAUBE FLZNNC	VITE A TESTA ESAGONALE FLZNNC	
002	80110825	006	VIS TETE FRAI.SIX P.CRE.INOX	HEX.SOCK.COUNT.HEAD SCREW INOX	SENKSCHRAUB.INNENSECHSK.INOX	VITE INOX	
003	80370405	015	RIVET AVEUGLE CLOU TP	RIVET	NIETE	RIVETTO	
004	G0470003	007	ECROU BAS				
005	G0470006	002	VIS TH 20X100				
006	G0470007	017	RONDELLE DIAM 20				
007	G0470023	002	PATIN	SKID	GLEITKUFE	PATTINO	
008	G0470028	002	VIS TH 20X120				
009	G0470038	006	RONDELLE DIAM 20				
010	G0470059	004	PATIN	SKID	GLEITKUFE	PATTINO	
011	G0470108	002	VIS TH 20X130				
012	G0542807	005	RONDELLE D.20				
013	G0542890	001	CADRE RHPA ANTI-FOUETTEMENT NU				
014	G0546015	002	VERIN	CYLINDER, HYDRAULIC	HYDRAULIKZYLINDER	CILINDRO	
015	G0547352	004	RONDELLE	WASHER	SCHEIBE	RONDELLA PIATTA	





METRIS

G40R0306 A

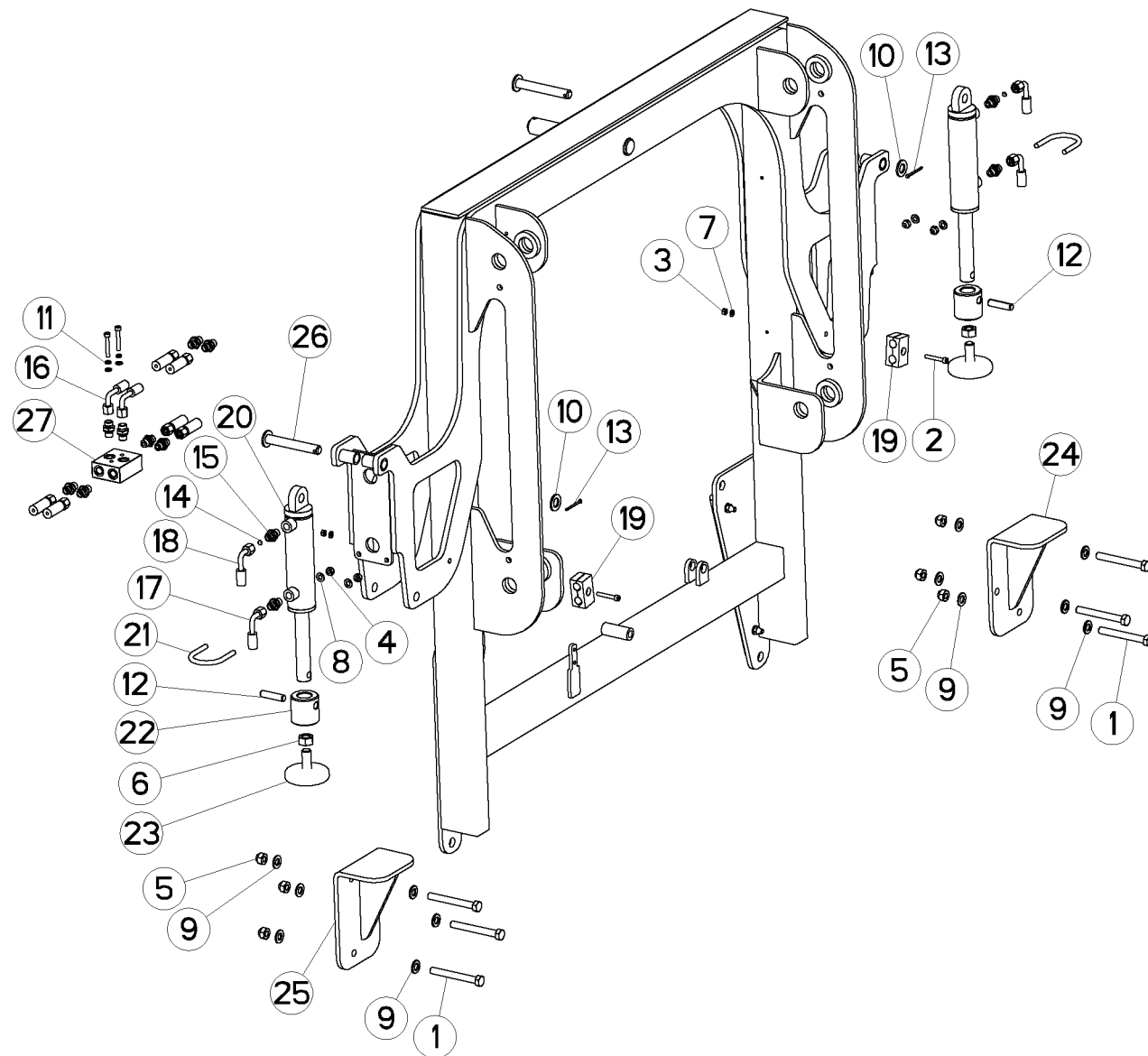
CADRE CENTRAL TR4 24M

MAIN FRAME TR4 24M

HAUPTTRAHMEN TR4 24M

TELAIO TR4 24M

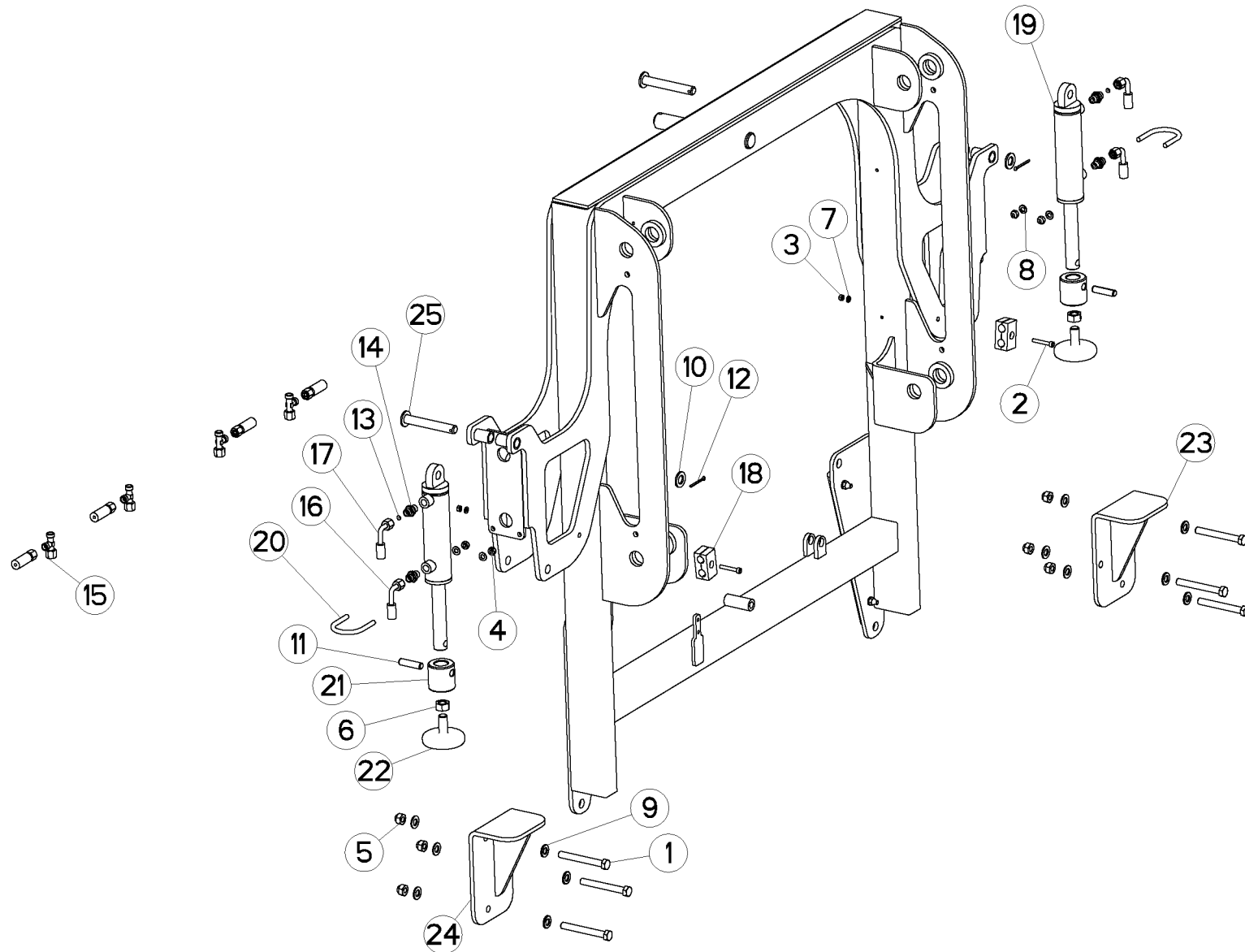
Rep	Nr	Qt	Designation	Description	Bezeichnung	Referenza	Remarque - Remark - Bemerkung - Osservazioni
001	80060817	008	VIS TETE HEXAGONALE INOX	HEXAGON HEAD SCREW INOX	SECHSKANTSCHRAUBE INOX	VITE A TESTA ESAGONALE INOX	
002	80250800	008	RONDELLE PLATE INOX A2	PLAIN WASHER INOX A2	SCHEIBE INOX A2	RONDELLA PIATTALA INOX A2	
003	80270883	008	RONDELLE GROWER INOX A2	WASHER, SPRING LOCK INOX A2	FEDERRING INOX A2	RONDELLA GROWER INOX A2	
004	G0462220	002	GAINE SPIRALE	SPIRAL WRAP	SCHUTZSPIRALE	PROTEZIONE	<m>
005	G0546050	001	BUTEE	STOP	ANSCHLAG	LIMITATORE	
006	G0546051	001	BUTEE	STOP	ANSCHLAG	LIMITATORE	
007	G0549479	001	CADRE	FRAME	RAHMEN	TELAIO	





VERROUILLAGE RHPA TR4 RBA DECO LOCK KIT RHPA TR4 RBA DECOUPL VERRIEGELUNG RHPA TR4 RBA DECO BLOCCAGGIO RHPA TR4 RBA DECC

Rep	Nr	Qt	Designation	Description	Bezeichnung	Referenza	Remarque - Remark - Bemerkung - Osservazioni
001	80061205	006	VIS TETE HEXAGONALE INOX	HEXAGON HEAD SCREW INOX	SECHSKANTSCHRAUBE INOX	VITE A TESTA ESAGONALE INOX	
002	80080641	004	VIS TETE CYL.SIX P.CRE.INOX				
003	80200631	002	ECROU HEX.BAS AUTOFR.INOX	SELF-LOCKING NUT INOX	SELBSTSICHERNDE MUTTER INOX	DADO AUTOBLOCCANTE INOX	
004	80200831	004	ECROU HEXAG.AUTOFREINE INOX	SELF-LOCKING NUT INOX	SELBSTSICHERNDE MUTTER INOX	DADO AUTOBLOCCANTE INOX	
005	80201231	006	ECROU HEXAG.AUTOFREINE INOX	SELF-LOCKING NUT INOX	SELBSTSICHERNDE MUTTER INOX	DADO AUTOBLOCCANTE INOX	
006	80201671	002	ECROU HEXAGONAL INOX	HEXAGON NUT INOX	SECHSKANTMUTTER INOX	DADO INOX	
007	80250601	004	RONDELLE PLATE INOX A2	PLAIN WASHER INOX A2	SCHEIBE INOX A2	RONDELLA PIATTALA INOX A2	
008	80250800	004	RONDELLE PLATE INOX A2	PLAIN WASHER INOX A2	SCHEIBE INOX A2	RONDELLA PIATTALA INOX A2	
009	80251200	012	RONDELLE PLATE INOX A2	PLAIN WASHER INOX A2	SCHEIBE INOX A2	RONDELLA PIATTALA INOX A2	
010	80251624	002	RONDELLE PLATE FE/ZNXC3	PLAIN WASHER FE/ZNXC3	SCHEIBE FE/ZNXC3	RONDELLA PIATTA FE/ZNXC3	
011	80270683	002	RONDELLE GROWER INOX A2	WASHER, SPRING LOCK INOX A2	FEDERRING INOX A2	RONDELLA GROWER INOX A2	
012	80461250	002	GOUPILLE ELASTIQUE INOX	ROLL PIN INOX	SPANNHUELSE INOX	SPINA ELASTICA INOX	
013	80500340	002	GOUPILLE FENDUE FE/ZNXC3	SPLIT PIN FE/ZNXC3	SPLINT FE/ZNXC3	COPPILIA FE/ZNXC3	
014	A4072042	002	LIMITEUR DE DEBIT	FLOW LIMITER	MENGENREGLER	LIMITATORE DI FLUSSO	
015	A4080487	012	UNION MALE FE/ZNNI	FITTING, HYDRAULIC, UNION	VERBINDUNG	CONNETTORE	
016	A4920139	002	FLEXIBLE	HOSE, HYDRAULIC	HYDRAULIKSCHLAUCH	TUBO IN GOMMA	<->900 mm
017	A4920142	002	FLEXIBLE	HOSE, HYDRAULIC	HYDRAULIKSCHLAUCH	TUBO IN GOMMA	<->1400 mm
018	A4920143	002	FLEXIBLE	HOSE, HYDRAULIC	HYDRAULIKSCHLAUCH	TUBO IN GOMMA	<->1500 mm
019	A7260042	002	COLLIER DOUBLE D15 NU	CLAMP D.15	SCHELLE D.15	COLLARE D.15	
020	G0236127	002	VERIN	CYLINDER, HYDRAULIC	HYDRAULIKZYLINDER	CILINDRO	
021	G0769638	002	BRIDE	CLAMP	BUEGEL	STAFFA	
022	G0769655	002	ENTRETOISE	SPACER	DISTANZHUELSE	DISTANZIALE	
023	G0769659	002	BUTEE	STOP	ANSCHLAG	LIMITATORE	
024	G0855579	001	BUTEE	STOP	ANSCHLAG	LIMITATORE	
025	G0855580	001	BUTEE	STOP	ANSCHLAG	LIMITATORE	
026	G0855754	002	BROCHE	PIN, HITCH	ACHSE	PERNO	
027	G4000220	001	BLOC	BLOCK	BLOCK	BLOCCO	





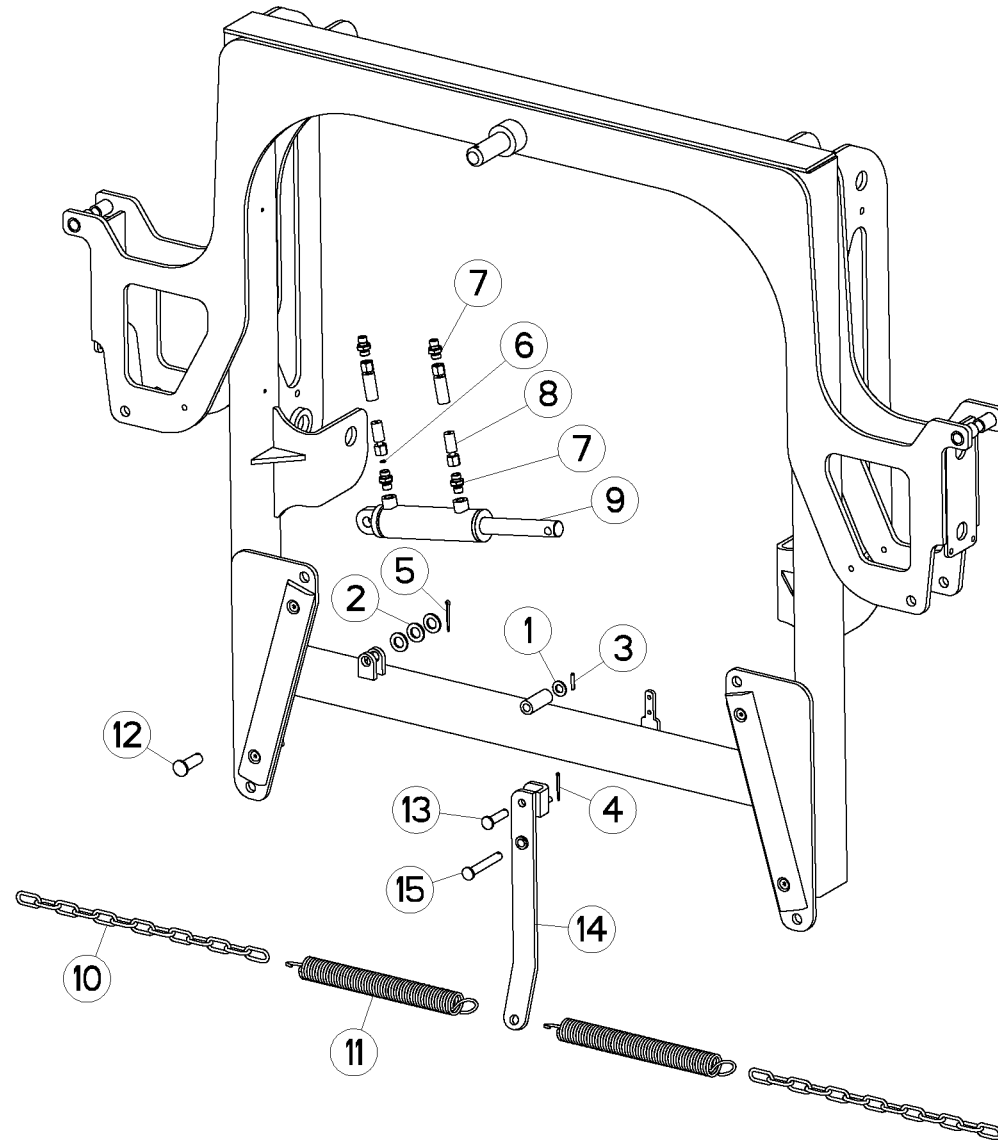
VERROUILLAGE RHPA TR 4 RBA

LOCK KIT RHPA TR 4 RBA

VERRIEGELUNG RHPA TR 4 RBA

BLOCCAGGIO RHPA TR 4 RBA

Rep	Nr	Qt	Designation	Description	Bezeichnung	Referenza	Remarque - Remark - Bemerkung - Osservazioni
001	80061205	006	VIS TETE HEXAGONALE INOX	HEXAGON HEAD SCREW INOX	SECHSKANTSCHRAUBE INOX	VITE A TESTA ESAGONALE INOX	
002	80080641	002	VIS TETE CYL.SIX P.CRE.INOX				
003	80200631	002	ECROU HEX.BAS AUTOFR.INOX	SELF-LOCKING NUT INOX	SELBSTSICHERNDE MUTTER INOX	DADO AUTOBLOCCANTE INOX	
004	80200831	004	ECROU HEXAG.AUTOFREINE INOX	SELF-LOCKING NUT INOX	SELBSTSICHERNDE MUTTER INOX	DADO AUTOBLOCCANTE INOX	
005	80201231	006	ECROU HEXAG.AUTOFREINE INOX	SELF-LOCKING NUT INOX	SELBSTSICHERNDE MUTTER INOX	DADO AUTOBLOCCANTE INOX	
006	80201671	002	ECROU HEXAGONAL INOX	HEXAGON NUT INOX	SECHSKANTMUTTER INOX	DADO INOX	
007	80250601	002	RONDELLE PLATE INOX A2	PLAIN WASHER INOX A2	SCHEIBE INOX A2	RONDELLA PIATTALA INOX A2	
008	80250800	004	RONDELLE PLATE INOX A2	PLAIN WASHER INOX A2	SCHEIBE INOX A2	RONDELLA PIATTALA INOX A2	
009	80251200	012	RONDELLE PLATE INOX A2	PLAIN WASHER INOX A2	SCHEIBE INOX A2	RONDELLA PIATTALA INOX A2	
010	80251624	002	RONDELLE PLATE FE/ZNXC3	PLAIN WASHER FE/ZNXC3	SCHEIBE FE/ZNXC3	RONDELLA PIATTA FE/ZNXC3	
011	80461250	002	GOUPILLE ELASTIQUE INOX	ROLL PIN INOX	SPANNHUELSE INOX	SPINA ELASTICA INOX	
012	80500340	002	GOUPILLE FENDUE FE/ZNXC3	SPLIT PIN FE/ZNXC3	SPLINT FE/ZNXC3	COPPIGLIA FE/ZNXC3	
013	A4072042	002	LIMITEUR DE DEBIT	FLOW LIMITER	MENGENREGLER	LIMITATORE DI FLUSSO	
014	A4080487	004	UNION MALE FE/ZNNI	FITTING, HYDRAULIC, UNION	VERBINDUNG	CONNETTORE	
015	A4083114	004	TE ADAPTABLE RENVERSE FE/ZNNI	FITTING, HYDRAULIC, TEE	T-STUCK	RACCORDO A T	
016	A4920142	002	FLEXIBLE	HOSE, HYDRAULIC	HYDRAULIKSCHLAUCH	TUBO IN GOMMA	<->1400 mm
017	A4920143	002	FLEXIBLE	HOSE, HYDRAULIC	HYDRAULIKSCHLAUCH	TUBO IN GOMMA	<->1500 mm
018	A7260042	002	COLLIER DOUBLE D15 NU	CLAMP D.15	SHELLE D.15	COLLARE D.15	
019	G0236127	002	VERIN	CYLINDER, HYDRAULIC	HYDRAULIKZYLINDER	CILINDRO	
020	G0769638	002	BRIDE	CLAMP	BUEGEL	STAFFA	
021	G0769655	002	ENTRETOISE	SPACER	DISTANZHUELSE	DISTANZIALE	
022	G0769659	002	BUTEE	STOP	ANSCHLAG	LIMITATORE	
023	G0855579	001	BUTEE	STOP	ANSCHLAG	LIMITATORE	
024	G0855580	001	BUTEE	STOP	ANSCHLAG	LIMITATORE	
025	G0855754	002	BROCHE	PIN, HITCH	ACHSE	PERNO	





METRIS

G40R0311 A

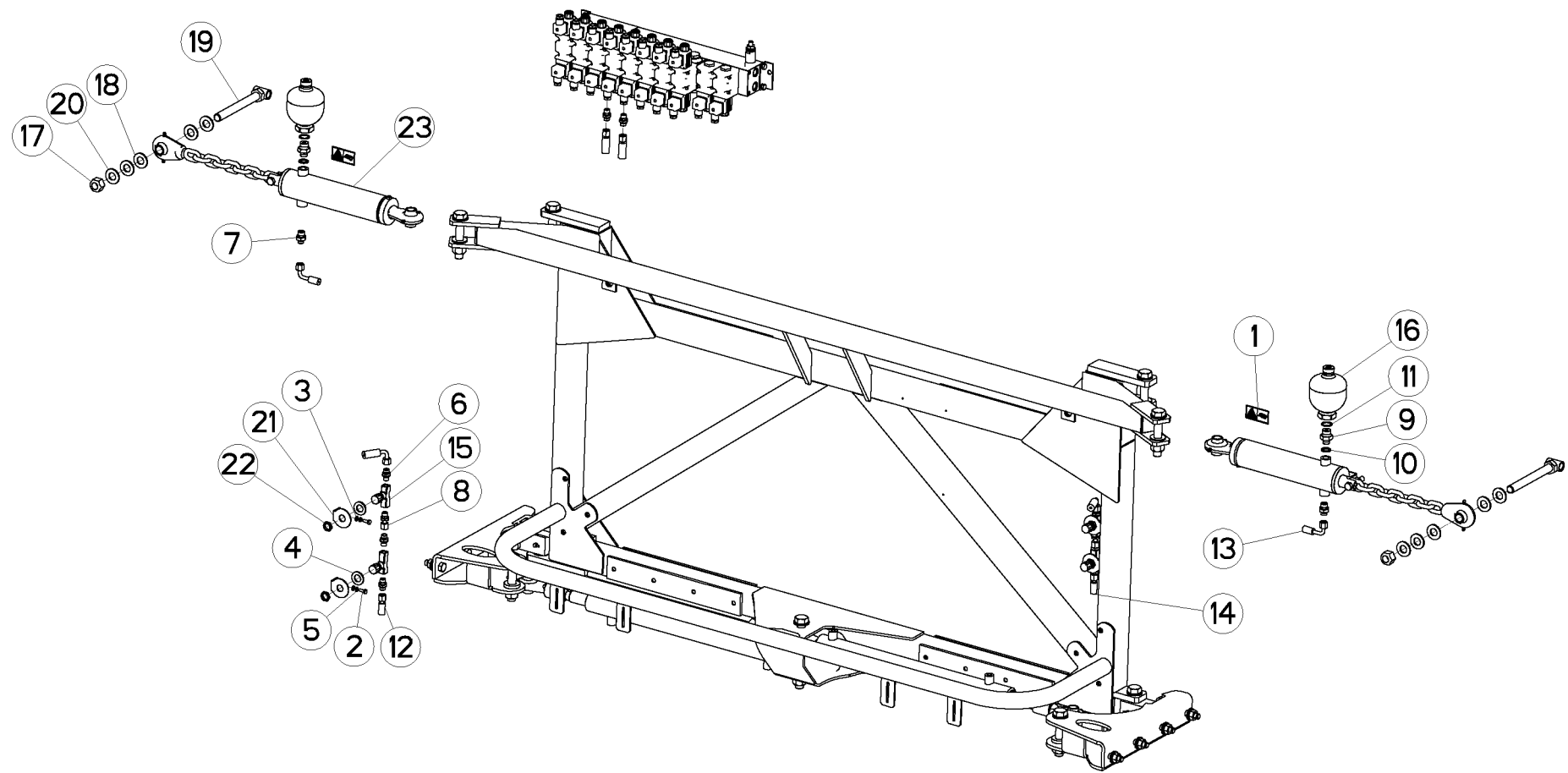
CORRECTEUR DE DEVERS RHPA TR4

SLOPE CORRECTOR RHPA TR4 RBA

HANGAUSGLEICH RHPA TR4 RBA

CORRETTORE DI PENDENZA RHPA

Rep	Nr	Qt	Designation	Description	Bezeichnung	Referenza	Remarque - Remark - Bemerkung - Osservazioni
001	80251200	001	RONDELLE PLATE INOX A2	PLAIN WASHER INOX A2	SCHEIBE INOX A2	RONDELLA PIATTALA INOX A2	
002	80251601	003	RONDELLE PLATE INOX A2	PLAIN WASHER INOX A2	SCHEIBE INOX A2	RONDELLA PIATTALA INOX A2	
003	80450526	001	GOUPILLE ELASTIQUE INOX	ROLL PIN INOX	SPANNHUELSE INOX	SPINA ELASTICA INOX	
004	80500236	001	GOUPILLE FENDUE	SPLIT PIN	SPLINT	COPPIGLIA	
005	80500340	001	GOUPILLE FENDUE FE/ZNXC3	SPLIT PIN FE/ZNXC3	SPLINT FE/ZNXC3	COPPIGLIA FE/ZNXC3	
006	A4072042	001	LIMITEUR DE DEBIT	FLOW LIMITER	MENGENREGLER	LIMITATORE DI FLUSSO	
007	A4080487	004	UNION MALE FE/ZNNI	FITTING, HYDRAULIC, UNION	VERBINDUNG	CONNETTORE	
008	A4920138	002	FLEXIBLE	HOSE, HYDRAULIC	HYDRAULIKSCHLAUCH	TUBO IN GOMMA	<->750 mm
009	G0236127	001	VERIN	CYLINDER, HYDRAULIC	HYDRAULIKZYLINDER	CILINDRO	
010	G0470040	002	CHAINE	CHAIN	KETTE	CATENA	
011	G0470041	002	RESSORT DE TRACTION	SPRING, EXTENSION	ZUGFEDER	MOLLA DI TRAZIONE	
012	G0769637	001	BROCHE	PIN, HITCH	ACHSE	PERNO	
013	G0769645	001	BROCHE	PIN, HITCH	ACHSE	PERNO	
014	G0855550	001	COMMANDE	SYSTEM, ACTUATION	BEDIENUNG	COMANDO	
015	G0855558	001	BROCHE	PIN, HITCH	ACHSE	PERNO	





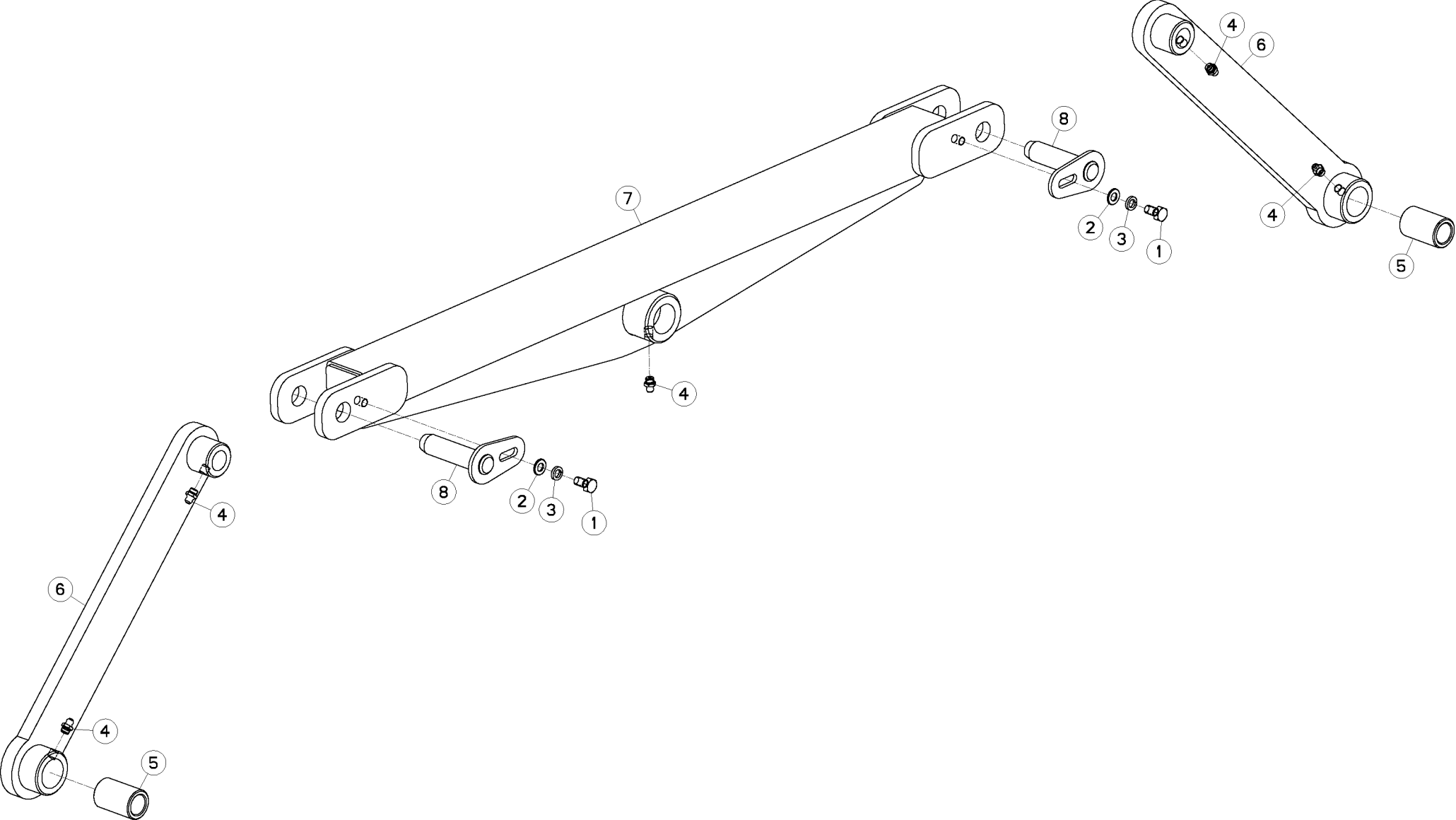
VERIN GV RHPA TR4 RBA

CYLINDER GV RHPA TR4 RBA

ZYLINDER GV RHPA TR4 RBA

CILINDRO GV RHPA TR4 RBA

Rep	Nr	Qt	Designation	Description	Bezeichnung	Referenza	Remarque - Remark - Bemerkung - Osservazioni
001	59901300	002	PICTOGR.H DANGER ACCUMULAT	PICTORIAL H DANGER ACCUMULATOR	PIKTOGR.H GEFAHR HYDROSPEICHER	ADESIVO	
002	80060618	004	VIS TETE HEXAGONALE INOX	HEXAGON HEAD SCREW INOX	SECHSKANTSCHRAUBE INOX	VITE A TESTA ESAGONALE INOX	
003	80250601	004	RONDELLE PLATE INOX A2	PLAIN WASHER INOX A2	SCHEIBE INOX A2	RONDELLA PIATTALA INOX A2	
004	80251833	004	RONDELLE PLATE INOX A2	PLAIN WASHER INOX A2	SCHEIBE INOX A2	RONDELLA PIATTALA INOX A2	
005	80270683	004	RONDELLE GROWER INOX A2	WASHER, SPRING LOCK INOX A2	FEDERRING INOX A2	RONDELLA GROWER INOX A2	
006	A4080487	008	UNION MALE FE/ZNNI	FITTING, HYDRAULIC, UNION	VERBINDUNG	CONNETTORE	
007	A4080488	002	UNION MALE FE/ZNNI	FITTING, HYDRAULIC, UNION	VERBINDUNG	CONNETTORE	
008	A4080529	002	ADAPTATEUR MALE FE/ZNNI	FITTING, HYDRAULIC, ADAPTER	ANBAUELEMENT	ADATTATORE	
009	A4090408	002	UNION	FITTING, HYDRAULIC, UNION	VERBINDUNG	CONNETTORE	
010	A4230017	002	BAGUE BS17	BUSH BS	BUCHSE BS	GUARNIZIONE	
011	A4230021	002	BAGUE BS21	BUSH BS	BUCHSE BS	BOCCOLA	
012	A4920135	001	FLEXIBLE	HOSE, HYDRAULIC	HYDRAULIKSCHLAUCH	TUBO IN GOMMA	<->600 mm
013	A4920140	002	FLEXIBLE	HOSE, HYDRAULIC	HYDRAULIKSCHLAUCH	TUBO IN GOMMA	<->950 mm
014	A4920191	001	FLEXIBLE	HOSE, HYDRAULIC	HYDRAULIKSCHLAUCH	TUBO IN GOMMA	<->1850 mm
015	G0252820	004	ETRANGLEUR	ADAPTER, RESTRICTOR	OELDROSSEL	RIDUTTORE	
016	G0447650	002	ACCUMULATEUR HYDRO-PNEUMATIQUE	ACCUMULATOR	DRUCKSPEICHER	ACCUMULATORE	
017	G0470003	002	ECROU BAS				
018	G0470007	008	RONDELLE DIAM 20				
019	G0470026	002	BOULON	BOLT	BOLZEN	BULLONE	
020	G0542807	002	RONDELLE D.20				
021	G4000550	004	SUPPORT	SUPPORT	TRAEGER	SUPPORTO	
022	G9000700	004	ECROU	NUT	MUTTER	DADO	
023	G9900030	002	VERIN	CYLINDER, HYDRAULIC	HYDRAULIKZYLINDER	CILINDRO	





METRIS

G40R0361 A

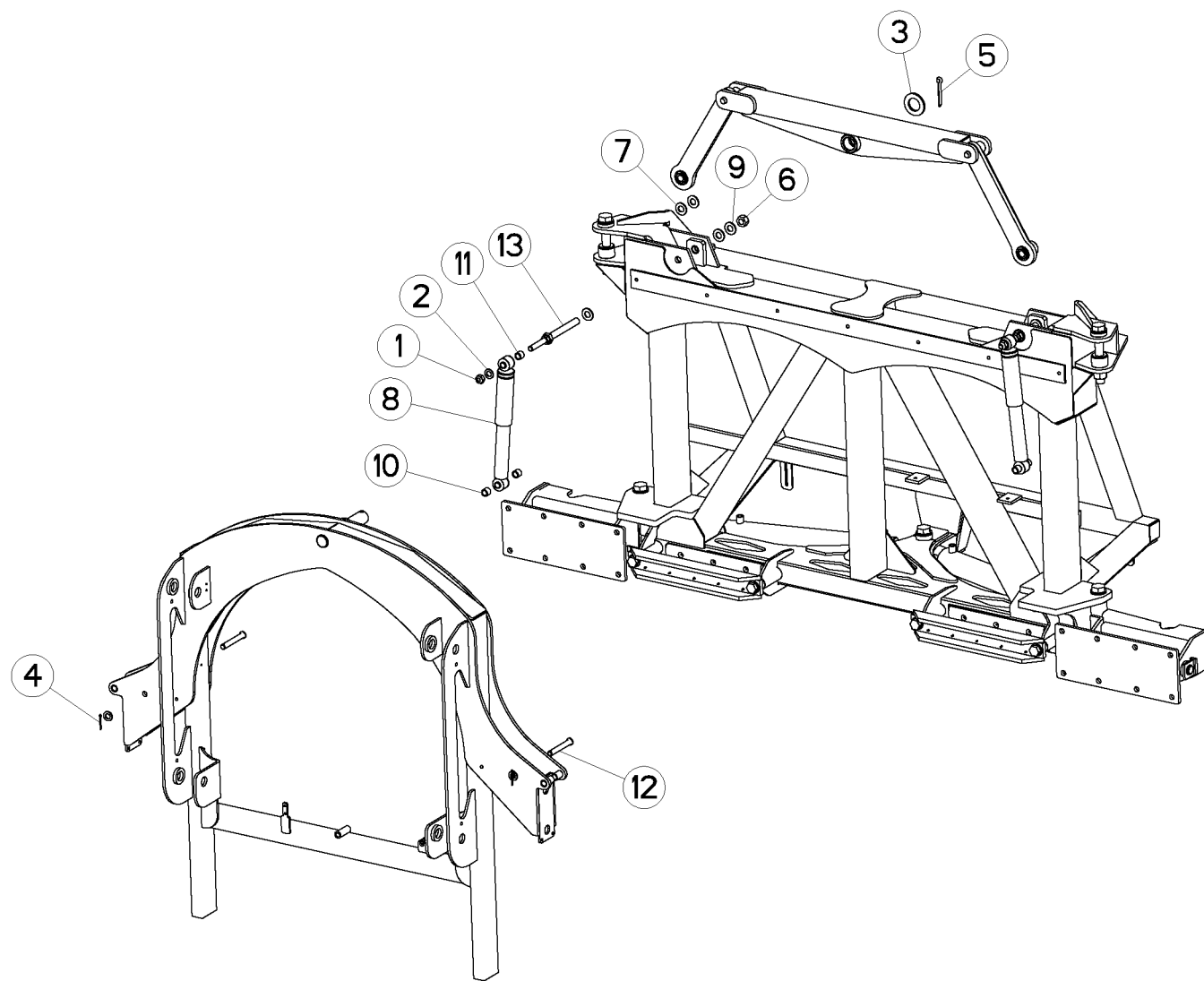
PENDULO BIELLETTE RHPA TR4 RBA

PENDULUM LINK ROD RHPA TR4 RBA

PENDELLENKER RHPA TR4 RBA

PENDOLO BIELLETTA RHPA TR4 RB

Rep	Nr	Qt	Designation	Description	Bezeichnung	Referenza	Remarque - Remark - Bemerkung - Osservazioni
001	80060817	002	VIS TETE HEXAGONALE INOX	HEXAGON HEAD SCREW INOX	SECHSKANTSCHRAUBE INOX	VITE A TESTA ESAGONALE INOX	
002	80250800	002	RONDELLE PLATE INOX A2	PLAIN WASHER INOX A2	SCHEIBE INOX A2	RONDELLA PIATTALA INOX A2	
003	80270883	002	RONDELLE GROWER INOX A2	WASHER, SPRING LOCK INOX A2	FEDERRING INOX A2	RONDELLA GROWER INOX A2	
004	82200800	005	GRAISSEUR FE/ZNXC3	GREASE NIPPLE FE/ZNXC3	SCHMIERNIPPEL FE/ZNXC3	INGRASSATORE FE/ZNXC3	
005	G0370013	002	BAGUE	BUSHING	HUELSE	BOCCOLA	
006	G0370030	002	BIELLETTA	LINK	SHUBSTANGE		
007	G0855560	001	TRAVERSE	TUBE, CROSS	QUERTRAEGER	TRAVERSA	
008	G0855570	002	BROCHE	PIN, HITCH	ACHSE	PERNO	





METRIS

G40R0316 A

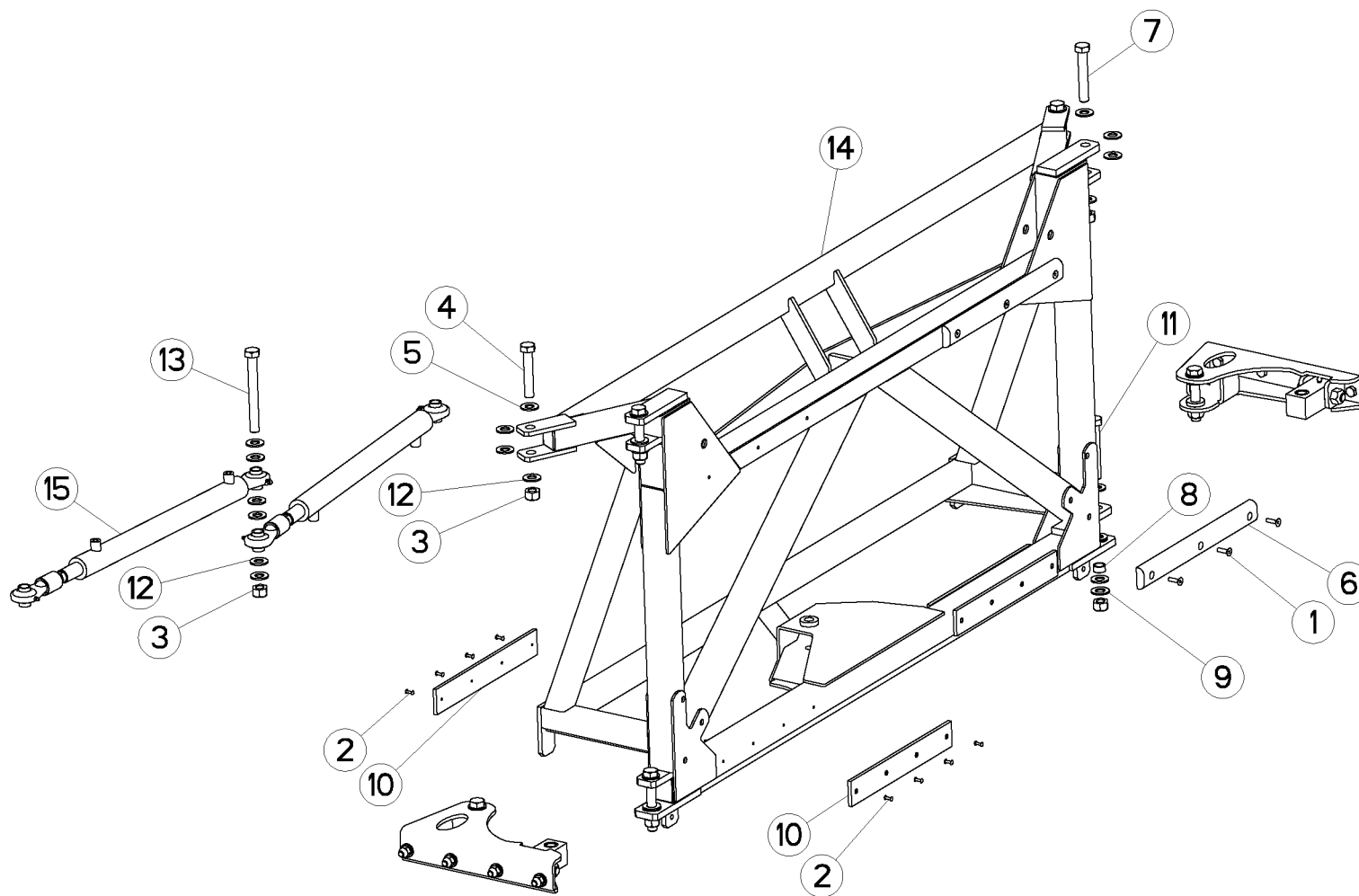
CADRE RHA3

FRAME RHA3

RAHMEN RHA3

STRUTTURA RHA3

Rep	Nr	Qt	Designation	Description	Bezeichnung	Referenza	Remarque - Remark - Bemerkung - Osservazioni
001	80201631	002	ECROU HEX.BAS AUTOFR.INOX	SELF-LOCKING NUT INOX	SELBSTSICHERNDE MUTTER INOX	DADO AUTOBLOCCANTE INOX	
002	80251601	004	RONDELLE PLATE INOX A2	PLAIN WASHER INOX A2	SCHEIBE INOX A2	RONDELLA PIATTALA INOX A2	
003	80253975	001	RONDELLE PLATE FE/ZNXC3	PLAIN WASHER FE/ZNXC3	SCHEIBE FE/ZNXC3	RONDELLA PIATTA FE/ZNXC3	
004	80500340	002	GOUPILLE FENDUE FE/ZNXC3	SPLIT PIN FE/ZNXC3	SPLINT FE/ZNXC3	COPPIGLIA FE/ZNXC3	
005	80501071	001	GOUPILLE FENDUE INOX				
006	G0470003	002	ECROU BAS				
007	G0470007	008	RONDELLE DIAM 20				
008	G0470080	002	AMORTISSEUR	SHOCK ABSORBER	STOSSDAEMPFER	AMMORTIZZATORE	
009	G0542807	002	RONDELLE D.20				
010	G0769675	004	DOUILLE ENTREEROISE FIX.AMORT.				
011	G0855539	002	BAGUE	BUSHING	HUELSE	BOCCOLA	
012	G0855754	002	BROCHE	PIN, HITCH	ACHSE	PERNO	
013	G4000250	002	AXE	PIN	ACHSE	ASSE	





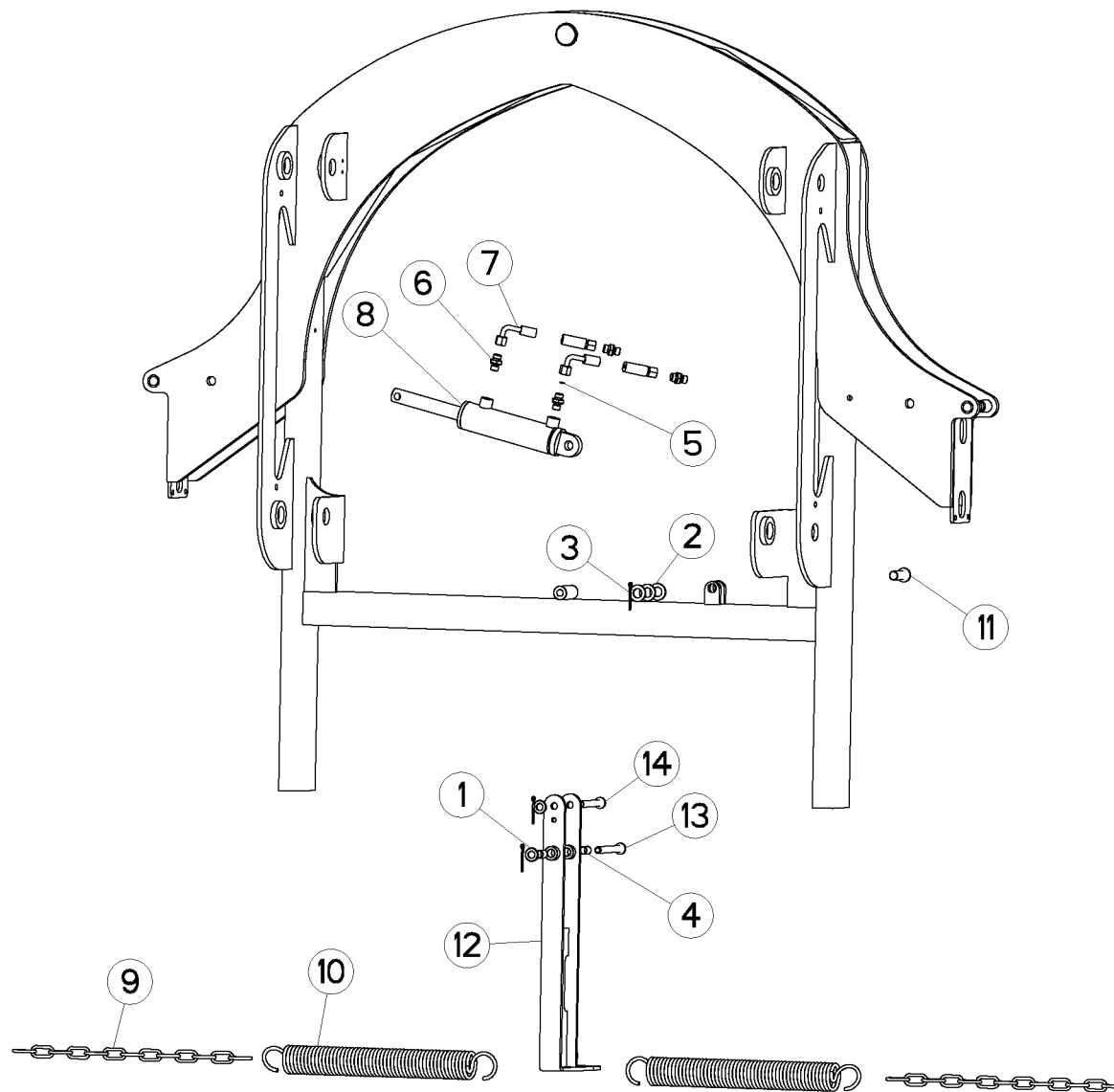
CADRE CENTRAL TR4 RBA TRAIINE

MAIN FRAME TR4 RBA TRAIINE

HAUPTRAHMEN TR4 RBA TRAIINE

TELAIO TR4 RBA TRAIINE

Rep	Nr	Qt	Designation	Description	Bezeichnung	Referenza	Remarque - Remark - Bemerkung - Osservazioni
001	80110825	006	VIS TETE FRAI.SIX P.CRE.INOX	HEX.SOCK.COUNT.HEAD SCREW INOX	SENKSCHRAUB.INNENSECHSK.INOX	VITE INOX	
002	80370405	016	RIVET AVEUGLE CLOU TP	RIVET	NIETE	RIVETTO	
003	G0470003	007	ECROU BAS				
004	G0470006	002	VIS TH 20X100				
005	G0470007	020	RONDELLE DIAM 20				
006	G0470023	002	PATIN	SKID	GLEITKUFE	PATTINO	
007	G0470028	002	VIS TH 20X120				
008	G0470037	002	BAGUE	BUSHING	HUELSE	BOCCOLA	
009	G0470038	008	RONDELLE DIAM 20				
010	G0470059	004	PATIN	SKID	GLEITKUFE	PATTINO	
011	G0470108	002	VIS TH 20X130				
012	G0542807	010	RONDELLE D.20				
013	G0542826	001	VIS	SCREW	SCHRAUBE	VITE	
014	G0546010	001	ENSEMBLE CADRE CENTRAL	CENTRAL FRAME ASSEMBLY	GESAMTES MITTELTEIL	INSIEME QUADRO CENTRALE	
015	G0546015	002	VERIN	CYLINDER, HYDRAULIC	HYDRAULIKZYLINDER	CILINDRO	





METRIS

G40R0317 B

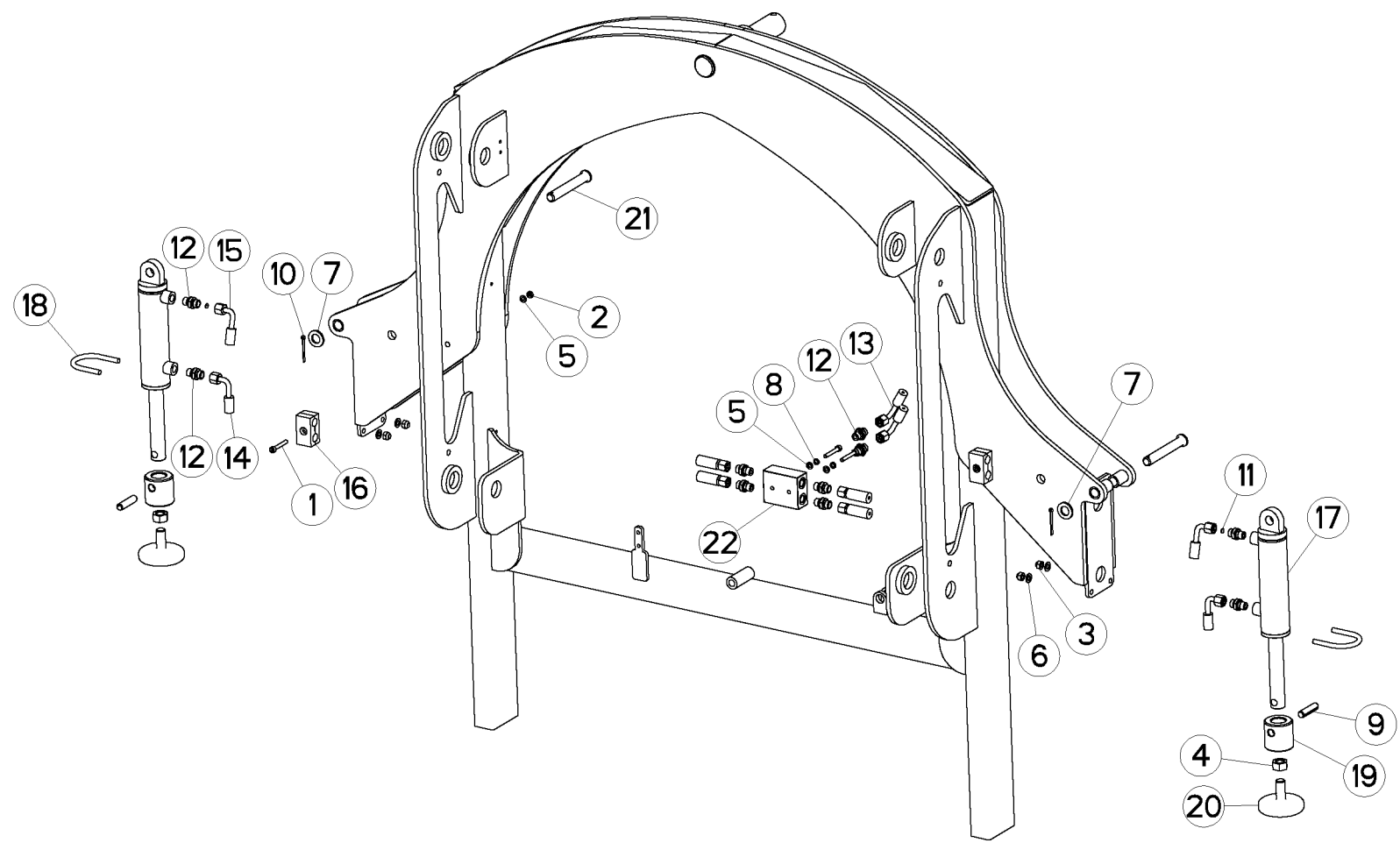
CORRECTEUR DE DEVERS RHA RHA3

SLOPE CORRECTOR RHA RHA3

HANGAUSGLEICH RHA RHA3

CORRETTORE DI PENDENZA RHA R

Rep	Nr	Qt	Designation	Description	Bezeichnung	Referenza	Remarque - Remark - Bemerkung - Osservazioni
001	80251200	002	RONDELLE PLATE INOX A2	PLAIN WASHER INOX A2	SCHEIBE INOX A2	RONDELLA PIATTALA INOX A2	
002	80251601	003	RONDELLE PLATE INOX A2	PLAIN WASHER INOX A2	SCHEIBE INOX A2	RONDELLA PIATTALA INOX A2	
003	80500340	003	GROUPILLE FENDUE FE/ZNXC3	SPLIT PIN FE/ZNXC3	SPLINT FE/ZNXC3	COPPIGLIA FE/ZNXC3	
004	83021221	002	BAGUE PLASTIQUE	NYLON BEARING	KUNSTSTOFF-GLEITLAGER	ANELLO PLASTICA	
005	A4072042	001	LIMITEUR DE DEBIT	FLOW LIMITER	MENGENREGLER	LIMITATORE DI FLUSSO	
006	A4080487	004	UNION MALE FE/ZNNI	FITTING, HYDRAULIC, UNION	VERBINDUNG	CONNETTORE	
007	A4920136	002	FLEXIBLE	HOSE, HYDRAULIC	HYDRAULIKSCHLAUCH	TUBO IN GOMMA	<->700 mm
008	G0236127	001	VERIN	CYLINDER, HYDRAULIC	HYDRAULIKZYLINDER	CILINDRO	
009	G0470040	002	CHAINE	CHAIN	KETTE	CATENA	
010	G0520302	002	RESSORT FIL.7.5 EXT.42 LG350				
011	G0769637	001	BROCHE	PIN, HITCH	ACHSE	PERNO	
012	G0855890	001	COMMANDE	SYSTEM, ACTUATION	BEDIENUNG	COMANDO	
013	G0855900	001	AXE	PIN	ACHSE	ASSE	
014	G0855905	001	BROCHE	PIN, HITCH	ACHSE	PERNO	





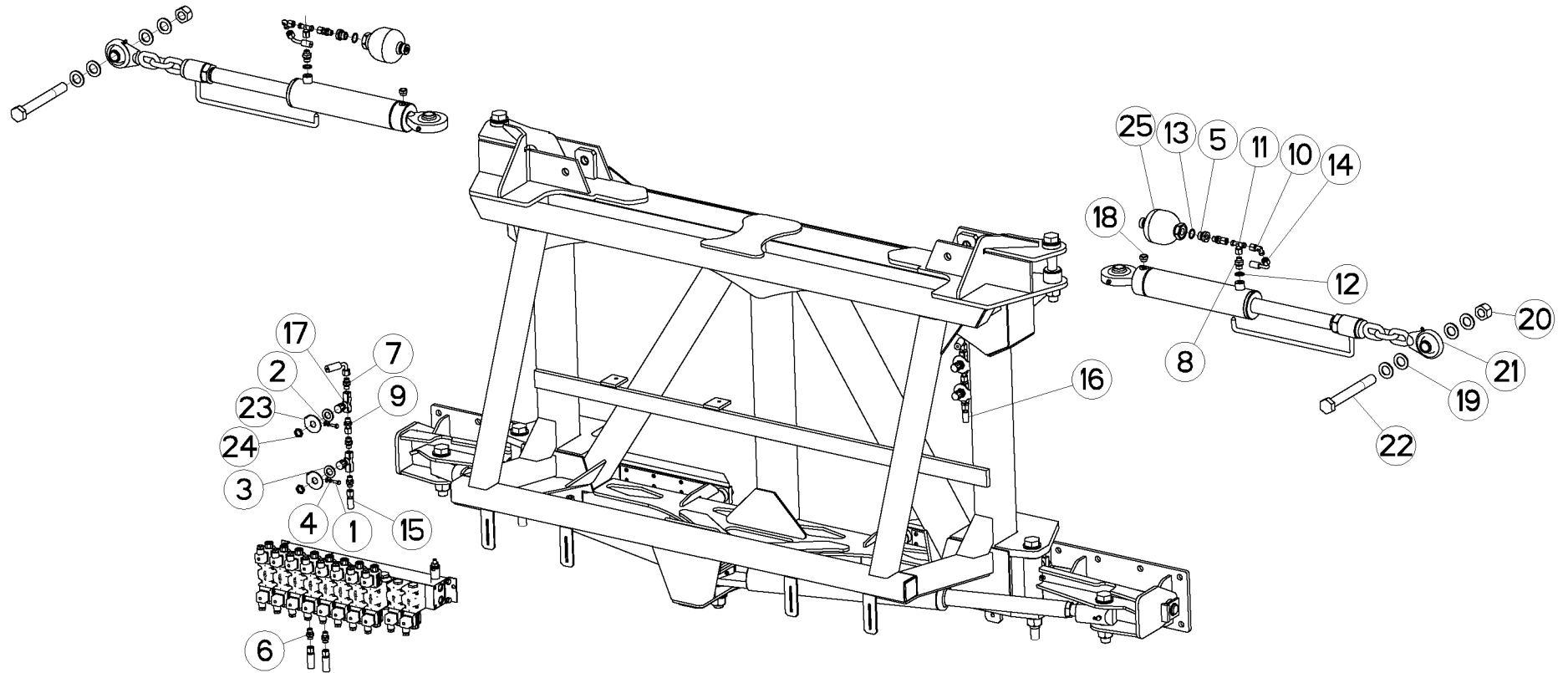
VERROUILLAGE RHA RHA3

LOCK KIT RHA RHA3

VERRIEGELUNG RHA RHA3

BLOCCAGGIO RHA RHA3

Rep	Nr	Qt	Designation	Description	Bezeichnung	Referenza	Remarque - Remark - Bemerkung - Osservazioni
001	80080641	004	VIS TETE CYL.SIX P.CRE.INOX				
002	80200631	002	ECROU HEX.BAS AUTOFR.INOX	SELF-LOCKING NUT INOX	SELBSTSICHERNDE MUTTER INOX	DADO AUTOBLOCCANTE INOX	
003	80200831	004	ECROU HEXAG.AUTOFREINE INOX	SELF-LOCKING NUT INOX	SELBSTSICHERNDE MUTTER INOX	DADO AUTOBLOCCANTE INOX	
004	80201671	002	ECROU HEXAGONAL INOX	HEXAGON NUT INOX	SECHSKANTMUTTER INOX	DADO INOX	
005	80250601	004	RONDELLE PLATE INOX A2	PLAIN WASHER INOX A2	SCHEIBE INOX A2	RONDELLA PIATTALA INOX A2	
006	80250800	004	RONDELLE PLATE INOX A2	PLAIN WASHER INOX A2	SCHEIBE INOX A2	RONDELLA PIATTALA INOX A2	
007	80251601	002	RONDELLE PLATE INOX A2	PLAIN WASHER INOX A2	SCHEIBE INOX A2	RONDELLA PIATTALA INOX A2	
008	80270683	002	RONDELLE GROWER INOX A2	WASHER, SPRING LOCK INOX A2	FEDERRING INOX A2	RONDELLA GROWER INOX A2	
009	80461250	002	GOUPILLE ELASTIQUE INOX	ROLL PIN INOX	SPANNHUELSE INOX	SPINA ELASTICA INOX	
010	80500340	002	GOUPILLE FENDUE FE/ZNXC3	SPLIT PIN FE/ZNXC3	SPLINT FE/ZNXC3	COPPIGLIA FE/ZNXC3	
011	A4072042	002	LIMITEUR DE DEBIT	FLOW LIMITER	MENGENREGLER	LIMITATORE DI FLUSSO	
012	A4080487	010	UNION MALE FE/ZNNI	FITTING, HYDRAULIC, UNION	VERBINDUNG	CONNETTORE	
013	A4920139	002	FLEXIBLE	HOSE, HYDRAULIC	HYDRAULIKSCHLAUCH	TUBO IN GOMMA	<->900 mm
014	A4920142	002	FLEXIBLE	HOSE, HYDRAULIC	HYDRAULIKSCHLAUCH	TUBO IN GOMMA	<->1400 mm
015	A4920143	002	FLEXIBLE	HOSE, HYDRAULIC	HYDRAULIKSCHLAUCH	TUBO IN GOMMA	<->1500 mm
016	A7260042	002	COLLIER DOUBLE D15 NU	CLAMP D.15	SHELLE D.15	COLLARE D.15	
017	G0236127	002	VERIN	CYLINDER, HYDRAULIC	HYDRAULIKZYLINDER	CILINDRO	
018	G0769638	002	BRIDE	CLAMP	BUEGEL	STAFFA	
019	G0769655	002	ENTRETOISE	SPACER	DISTANZHUELSE	DISTANZIALE	
020	G0769659	002	BUTEE	STOP	ANSCHLAG	LIMITATORE	
021	G0855754	002	BROCHE	PIN, HITCH	ACHSE	PERNO	
022	G4000220	001	BLOC	BLOCK	BLOCK	BLOCCO	





METRIS

G40R0320 A

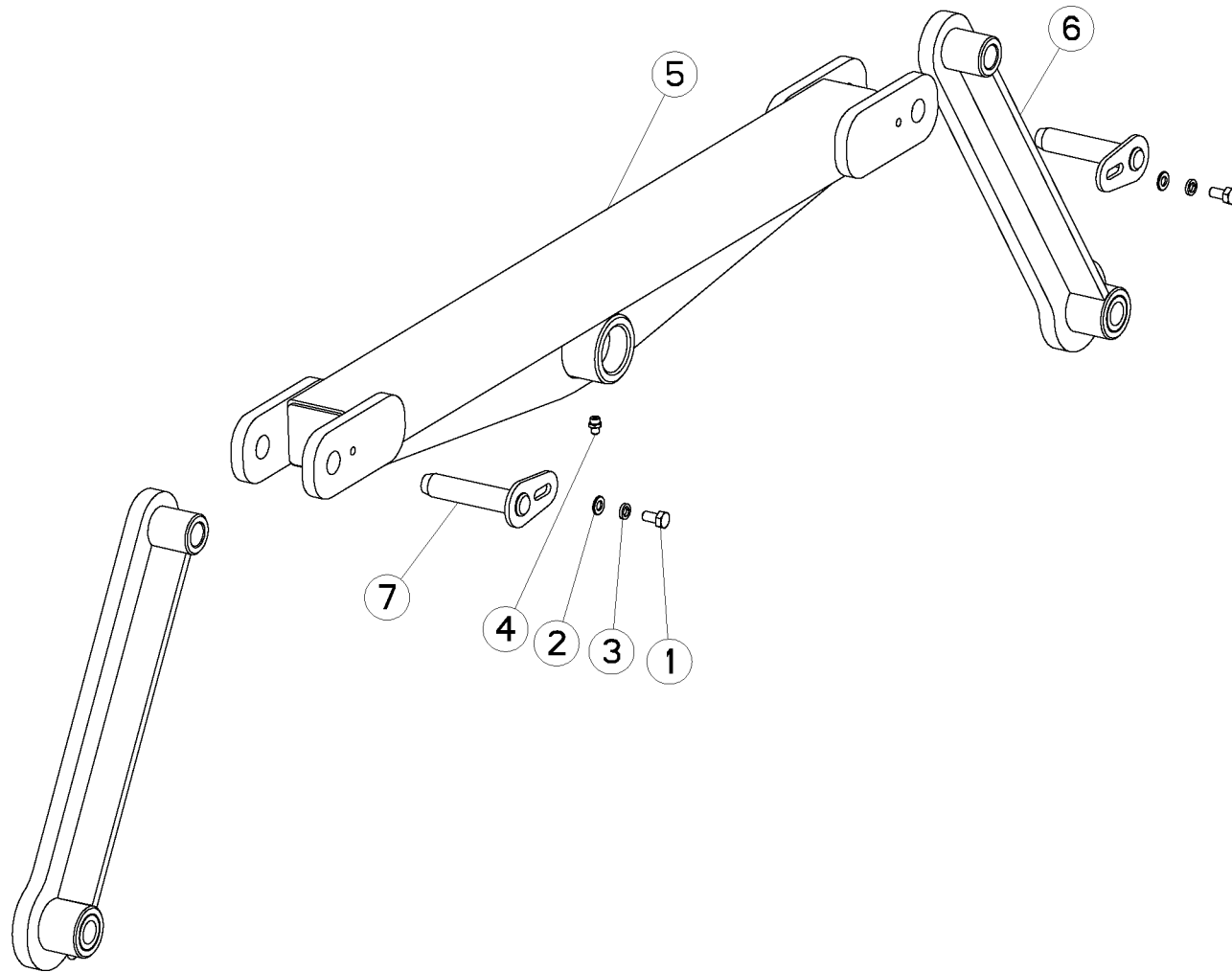
VERIN GV RHA3

CYLINDER GV RHA3

ZYLINDER GV RHA3

CILINDRO GV RHA3

Rep	Nr	Qt	Designation	Description	Bezeichnung	Referenza	Remarque - Remark - Bemerkung - Osservazioni
001	80060618	004	VIS TETE HEXAGONALE INOX	HEXAGON HEAD SCREW INOX	SECHSKANTSCHRAUBE INOX	VITE A TESTA ESAGONALE INOX	
002	80250601	004	RONDELLE PLATE INOX A2	PLAIN WASHER INOX A2	SCHEIBE INOX A2	RONDELLA PIATTALA INOX A2	
003	80251833	004	RONDELLE PLATE INOX A2	PLAIN WASHER INOX A2	SCHEIBE INOX A2	RONDELLA PIATTALA INOX A2	
004	80270683	004	RONDELLE GROWER INOX A2	WASHER, SPRING LOCK INOX A2	FEDERRING INOX A2	RONDELLA GROWER INOX A2	
005	A4060668	002	ADAPTATEUR M1/2 F1/4 FE/ZNNI	FITTING, HYDRAULIC, ADAPTER	ANBAUELEMENT	ADATTATORE	
006	A4080448	002	UNION MALE	MALE STUD CONNECTOR	GERADEREINSCHRAUBSTUTZEN	GIUZIONE DIRITTA ZBC	
007	A4080487	006	UNION MALE FE/ZNNI	FITTING, HYDRAULIC, UNION	VERBINDUNG	CONNETTORE	
008	A4080488	002	UNION MALE FE/ZNNI	FITTING, HYDRAULIC, UNION	VERBINDUNG	CONNETTORE	
009	A4080529	004	ADAPTATEUR MALE FE/ZNNI	FITTING, HYDRAULIC, ADAPTER	ANBAUELEMENT	ADATTATORE	
010	A4082713	002	COUDE TOURNANT	AJUSTABLE MALE STUD ELBOW	EINSTELLBARE WINKEL STUTZEN	GIUNZIONE A 90°ORIENTABILE ZBC	
011	A4083209	002	TE TOURNANT NU FE/ZNNI	ADJUSTABLE EQUAL TEE FE/ZNNI	EINSTELLB.T VERSCHRAU.FE/ZNNI	RACCORDO ORIENT.A T FE/ZNNI	
012	A4230017	002	BAGUE BS17	BUSH BS	BUCHSE BS	GUARNIZIONE	
013	A4230021	002	BAGUE BS21	BUSH BS	BUCHSE BS	BOCCOLA	
014	A4920140	002	FLEXIBLE	HOSE, HYDRAULIC	HYDRAULIKSCHLAUCH	TUBO IN GOMMA	<->1050 mm
015	A4920189	001	FLEXIBLE	HOSE, HYDRAULIC	HYDRAULIKSCHLAUCH	TUBO IN GOMMA	<->550 mm
016	A4920191	001	FLEXIBLE	HOSE, HYDRAULIC	HYDRAULIKSCHLAUCH	TUBO IN GOMMA	<->1920 mm
017	G0252820	004	ETRANGLEUR	ADAPTER, RESTRICTOR	OELDROSSEL	RIDUTTORE	
018	G0427020	002	RENIFLARD	BREATHER	ENTLUEFTUNG	SFIATATOIO	
019	G0470331	008	RONDELLE	WASHER	SCHEIBE	RONDELLA PIATTA	
020	G0546062	002	ECROU AUTOFREINANT 1"				
021	G3600170	002	VERIN	CYLINDER, HYDRAULIC	HYDRAULIKZYLINDER	CILINDRO	
022	G3802043	002	VIS	SCREW	SCHRAUBE	VITE	
023	G4000550	004	SUPPORT	SUPPORT	TRAEGER	SUPPORTO	
024	G9000700	004	ECROU	NUT	MUTTER	DADO	
025	G9000820	002	ACCUMULATEUR HYDRO-PNEUMATIQUE	ACCUMULATOR	DRUCKSPEICHER	ACCUMULATORE	





METRIS

G40R0322 A

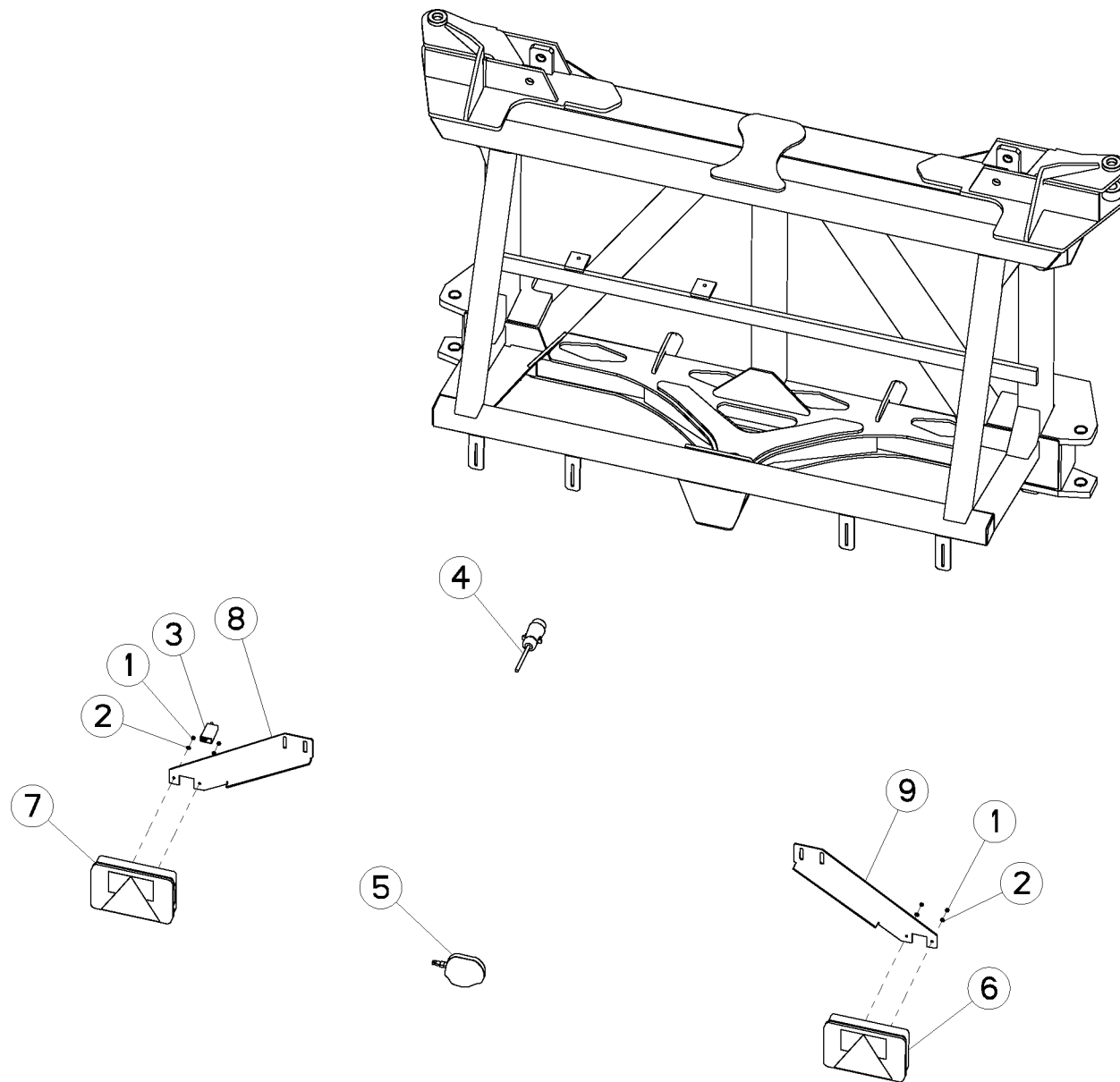
PENDULO BIELLETTE RHA RHA3

PENDULUM LINK ROD RHA RHA3

PENDELLENKER RHA RHA3

PENDOLO BIELLETTA RHA RHA3

Rep	Nr	Qt	Designation	Description	Bezeichnung	Referenza	Remarque - Remark - Bemerkung - Osservazioni
001	80060817	002	VIS TETE HEXAGONALE INOX	HEXAGON HEAD SCREW INOX	SECHSKANTSCHRAUBE INOX	VITE A TESTA ESAGONALE INOX	
002	80250800	002	RONDELLE PLATE INOX A2	PLAIN WASHER INOX A2	SCHEIBE INOX A2	RONDELLA PIATTALA INOX A2	
003	80270883	002	RONDELLE GROWER INOX A2	WASHER, SPRING LOCK INOX A2	FEDERRING INOX A2	RONDELLA GROWER INOX A2	
004	82200800	001	GRAISSEUR FE/ZNXC3	GREASE NIPPLE FE/ZNXC3	SCHMIERNIPPEL FE/ZNXC3	INGRASSATORE FE/ZNXC3	
005	G0855660	001	TRAVERSE	TUBE, CROSS	QUERTRAEGER	TRAVERSA	
006	G0855669	002	BIELLETTA COMPLETE				
007	G0855740	002	AXE	PIN	ACHSE	ASSE	





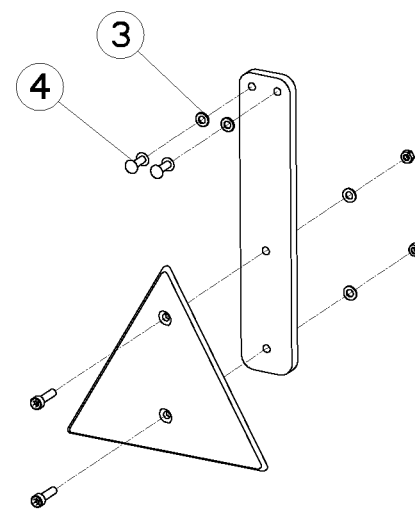
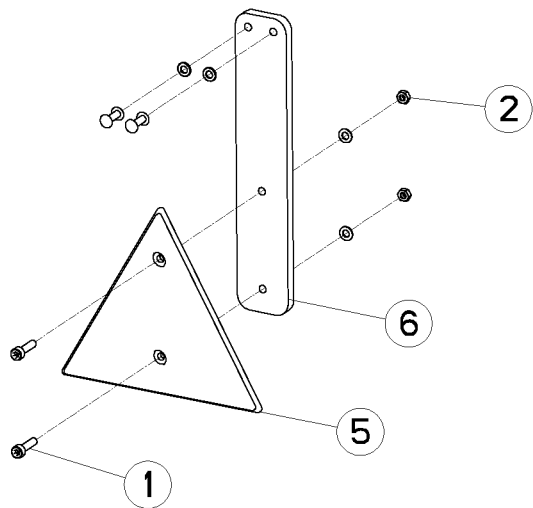
ECLAIRAGE TRAINÉ

LIGHTING TRAINÉ

BELEUCHTUNG TRAINÉ

ILLUMINAZIONE TRAINÉ

Rep	Nr	Qt	Designation	Description	Bezeichnung	Referenza	Remarque - Remark - Bemerkung - Osservazioni
001	80200541	004	ECROU HEX.BAS AUTOFR.INOX	SELF-LOCKING NUT INOX	SELBSTSICHERNDE MUTTER INOX	DADO AUTOBLOCCANTE INOX	
002	80250500	004	RONDELLE PLATE INOX A2	PLAIN WASHER INOX A2	SCHEIBE INOX A2	RONDELLA PIATTALA INOX A2	
003	83233087	001	FAISCEAU 2 CABLES 3.50 M				
004	83233090	001	FAISCEAU AV 6X1				
005	83240431	001	FEU ECLAIRAGE PLAQUE	LIGHT	LICHT	LUCE	
006	83240453	001	LANTERNE DROITE				
007	83240456	001	LANTERNE GAUCHE				
008	G0861593	001	SUPPORT DE FEUX	SUPPORT, LIGHT	LEUCHTENTRAEGER	SUPPORTO LUCI	
009	G0861594	001	SUPPORT DE FEUX	SUPPORT, LIGHT	LEUCHTENTRAEGER	SUPPORTO LUCI	





METRIS

G40R0175 A

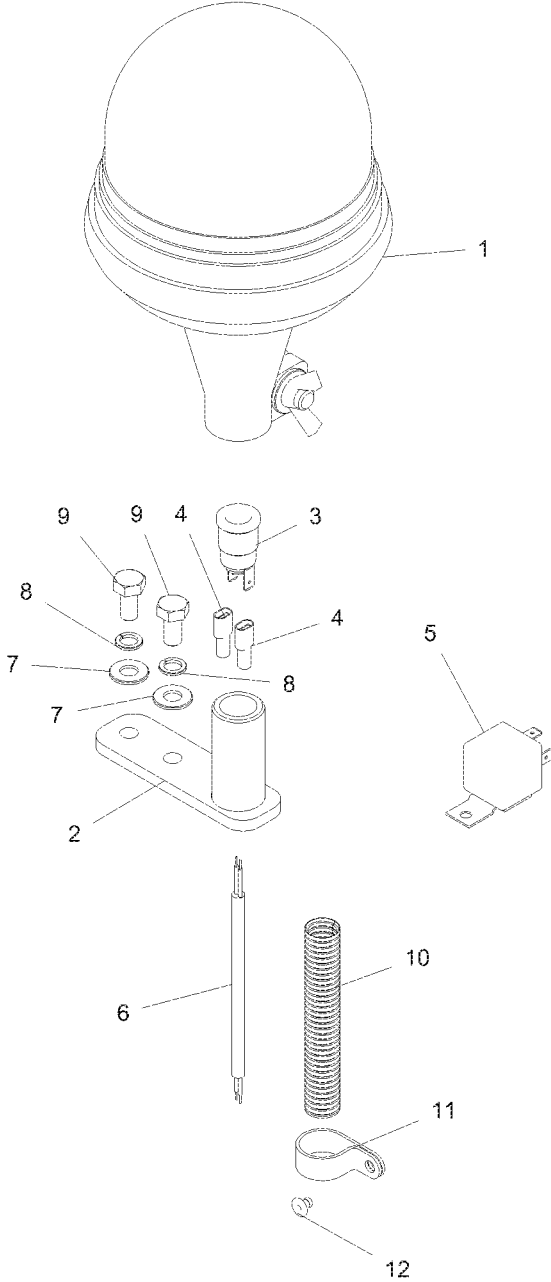
SIGNALISATION

SIGNALLING

BELEUCHTUNG U. WARNTAFELN

SEGNALAZIONE

Rep	Nr	Qt	Designation	Description	Bezeichnung	Referenza	Remarque - Remark - Bemerkung - Osservazioni
001	80080520	004	VIS TETE CYL.SIX P.CRE.INOX	HEX.SOCKET HEAD CAP SCREW INOX	ZYLINDERSCHR.INNENSECHSK.INOX	VITE A TESTA CILINDRICA INOX	
002	80200541	004	ECROU HEX.BAS AUTOFR.INOX	SELF-LOCKING NUT INOX	SELBSTSICHERNDE MUTTER INOX	DADO AUTOBLOCCANTE INOX	
003	80250500	008	RONDELLE PLATE INOX A2	PLAIN WASHER INOX A2	SCHEIBE INOX A2	RONDELLA PIATTALA INOX A2	
004	80370405	004	RIVET AVEUGLE CLOU TP	RIVET	NIETE	RIVETTO	
005	83240013	002	CATADIOP.TRIAN.ROUGE 160 ADHES	REFLECTOR RED 160 SELF-ADHES.	RUECKSTRAHLER ROT 160 SELBSTKL	CATADIOTTRO 160	
006	G4105110	002	SUPPORT	SUPPORT	TRAEGER	SUPPORTO	





METRIS

G40R0130 A

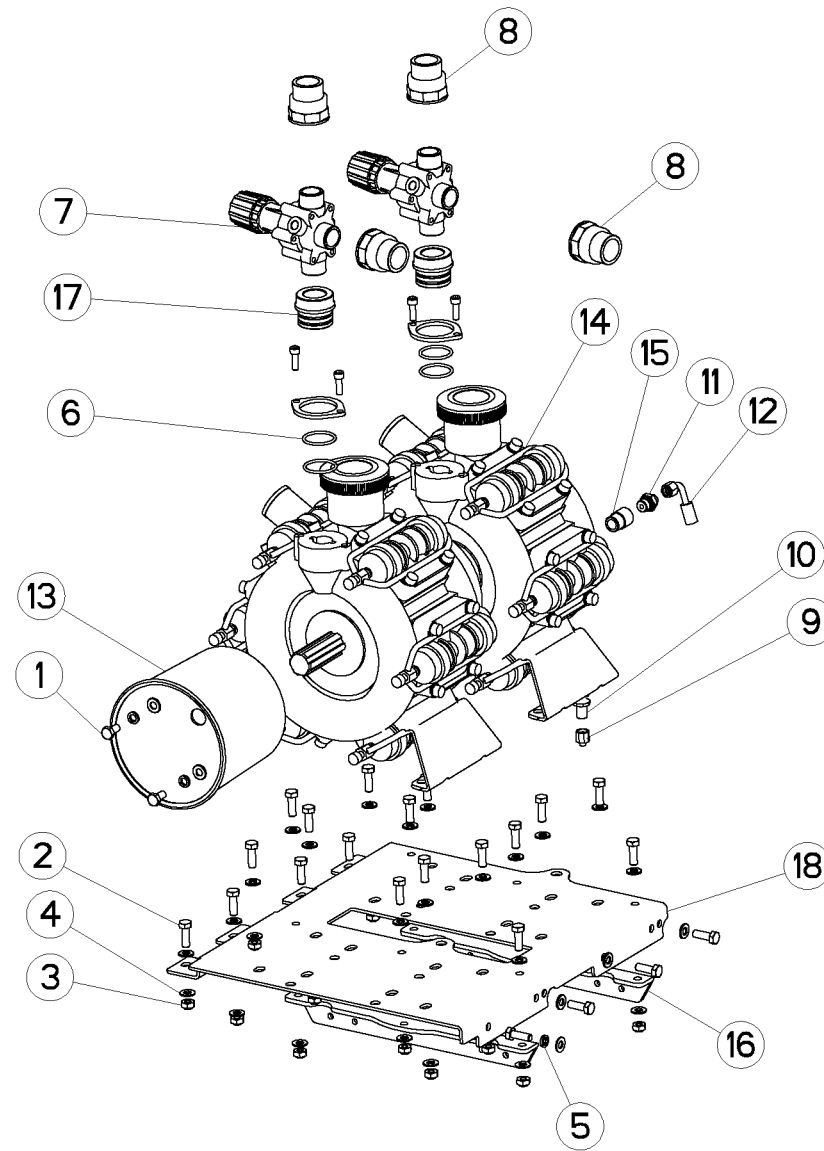
GYROPHARE

FLASHING LIGHT

RUNDUMLEUCHTE

GIROFARO

Rep	Nr	Qt	Designation	Description	Bezeichnung	Referenza	Remarque - Remark - Bemerkung - Osservazioni
001	83240435	001	GYROPHARE	LIGHT, WARNING, ROTATING	RUNDUMKENNLEUCHTE	GIROPHARO	
002	G0692550	001	SUPPORT	SUPPORT	TRAEGER	SUPPORTO	
003	83233235	001	BROCHE	PIN, HITCH	ACHSE	PERNO	
004	83233217	002	COSSE BLEUE PLATE FEM.ISOLEE				
005	G0450282	001	RELAIS	RELAY	RELAIS	RELE	
006	G0268420	001	CABLE	WIRE	DRAHTSEIL	CAVO	
007	80250800	002	RONDELLE PLATE INOX A2	PLAIN WASHER INOX A2	SCHEIBE INOX A2	RONDELLA PIATTALA INOX A2	
008	80270883	002	RONDELLE GROWER INOX A2	WASHER, SPRING LOCK INOX A2	FEDERRING INOX A2	RONDELLA GROWER INOX A2	
009	80060817	002	VIS TETE HEXAGONALE INOX	HEXAGON HEAD SCREW INOX	SECHSKANTSCHRAUBE INOX	VITE A TESTA ESAGONALE INOX	
010	G0445350	001	GAINÉ	SHEATH, FLEXIBLE	GLEITSCHIENE	SUPPORTO	
011	G0418910	001	COLLIER	CLAMP, HOSE	SCHLAUCHSCHELLE	COLLARE	
012	80370416	001	RIVET AVEUGLE TP NORM.	RIVET	NIETE	RIVETTO	





METRIS

G40R0262 B

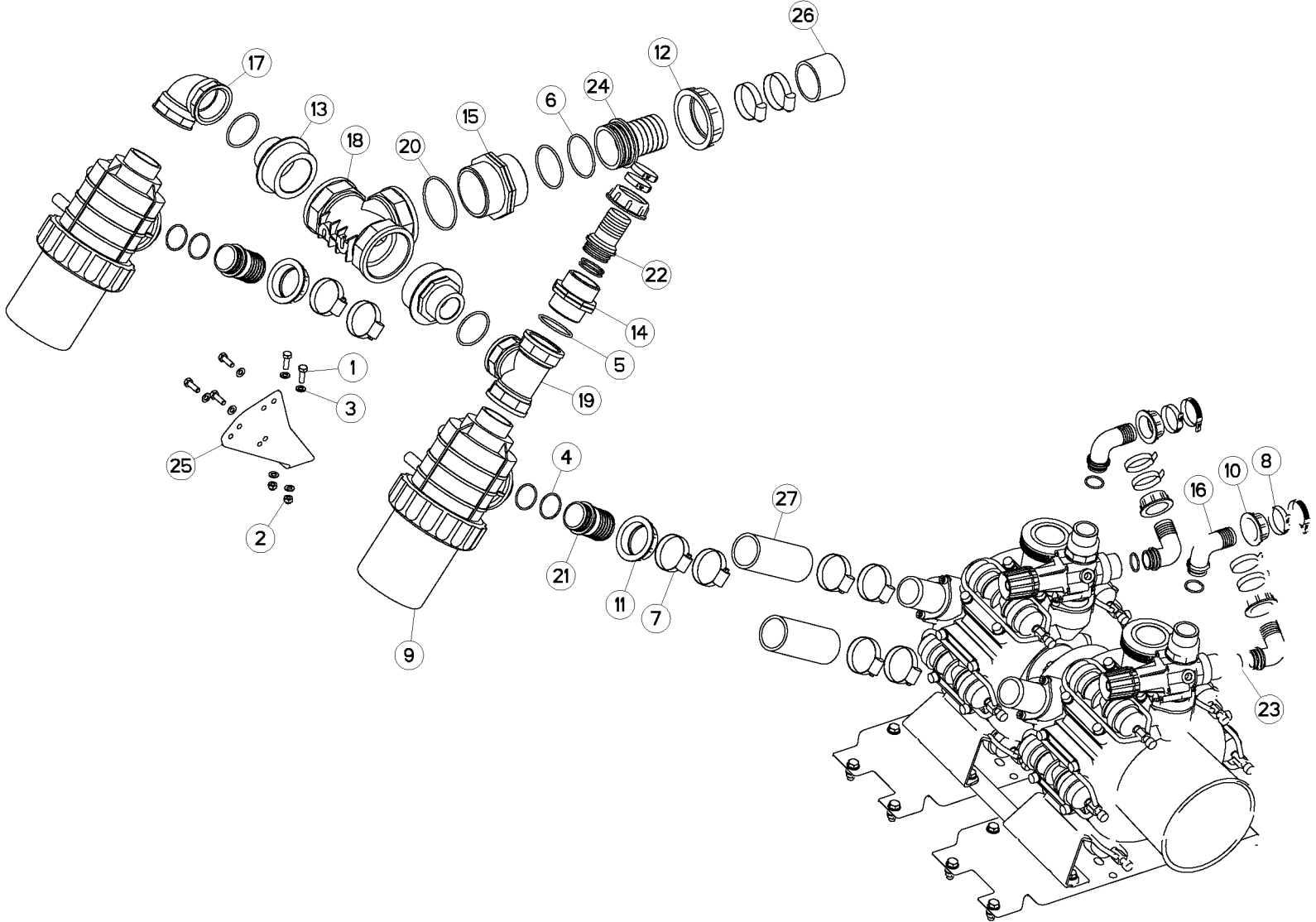
POMPE PM 500 METRIS

PUMP PM 500 METRIS

PUMPE PM 500 METRIS

POMPA PM 500 METRIS

Rep	Nr	Qt	Designation	Description	Bezeichnung	Referenza	Remarque - Remark - Bemerkung - Osservazioni
001	80061021	002	VIS TETE HEXAGONALE INOX	HEXAGON HEAD SCREW INOX	SECHSKANTSCHRAUBE INOX	VITE A TESTA ESAGONALE INOX	
002	80061031	022	VIS TETE HEXAGONALE INOX	HEXAGON HEAD SCREW INOX	SECHSKANTSCHRAUBE INOX	VITE A TESTA ESAGONALE INOX	
003	80201049	021	ECROU HEX.BAS AUTOFR.INOX	SELF-LOCKING NUT INOX	SELBSTSICHERNDE MUTTER INOX	DADO AUTOBLOCCANTE INOX	
004	80251005	045	RONDELLE PLATE INOX A2	PLAIN WASHER INOX A2	SCHEIBE INOX A2	RONDELLA PIATTALA INOX A2	
005	80271083	003	RONDELLE GROWER INOX A2	WASHER, SPRING LOCK INOX A2	FEDERRING INOX A2	RONDELLA GROWER INOX A2	
006	82063950	004	JOINT TORIQUE	O-RING	O-RING	GUARNIZIONE	
007	83610039	002	VANNE	VALVE, SHUT-OFF	SCHIEBER	SARACINESCA	
008	83654017	004	REDUCTION	ADAPTER, REDUCER	REDUZIERUNG	RIDUZIONE	
009	A4061517	002	OBTURATEUR FE/ZNNI	BLANKING PLUG	VERSCHLUSSSTOPFEN	TAPPO FEMMINA	
010	A4080319	002	UNION DOUBLE/CLOISON FE/ZNNI	BULKHEAD UNION	VERBINDUNGSNIPEL	CONNETTORE	
011	A4080488	002	UNION MALE FE/ZNNI	FITTING, HYDRAULIC, UNION	VERBINDUNG	CONNETTORE	
012	A4920188	002	FLEXIBLE	HOSE, HYDRAULIC	HYDRAULIKSCHLAUCH	TUBO IN GOMMA	<->250 mm
013	G0420810	001	BOL	BOWL	SCHUTZTOPF	PROTEZIONE	
014	G0548700	001	POMPE	PUMP	PUMPE	POMPA	
015	G0695052	002	REDUCTION M-F 22X1.5-3/8				
016	G4102640	002	TOLE	SHEET	BLECH	TELA	
017	G4103380	002	ADAPTATEUR	FITTING, HYDRAULIC, ADAPTER	ANBAUELEMENT	ADATTATORE	
018	G4106690	001	PLAQUE	PLATE	PLATTE	PIASTRA	





METRIS

G40R0261 B

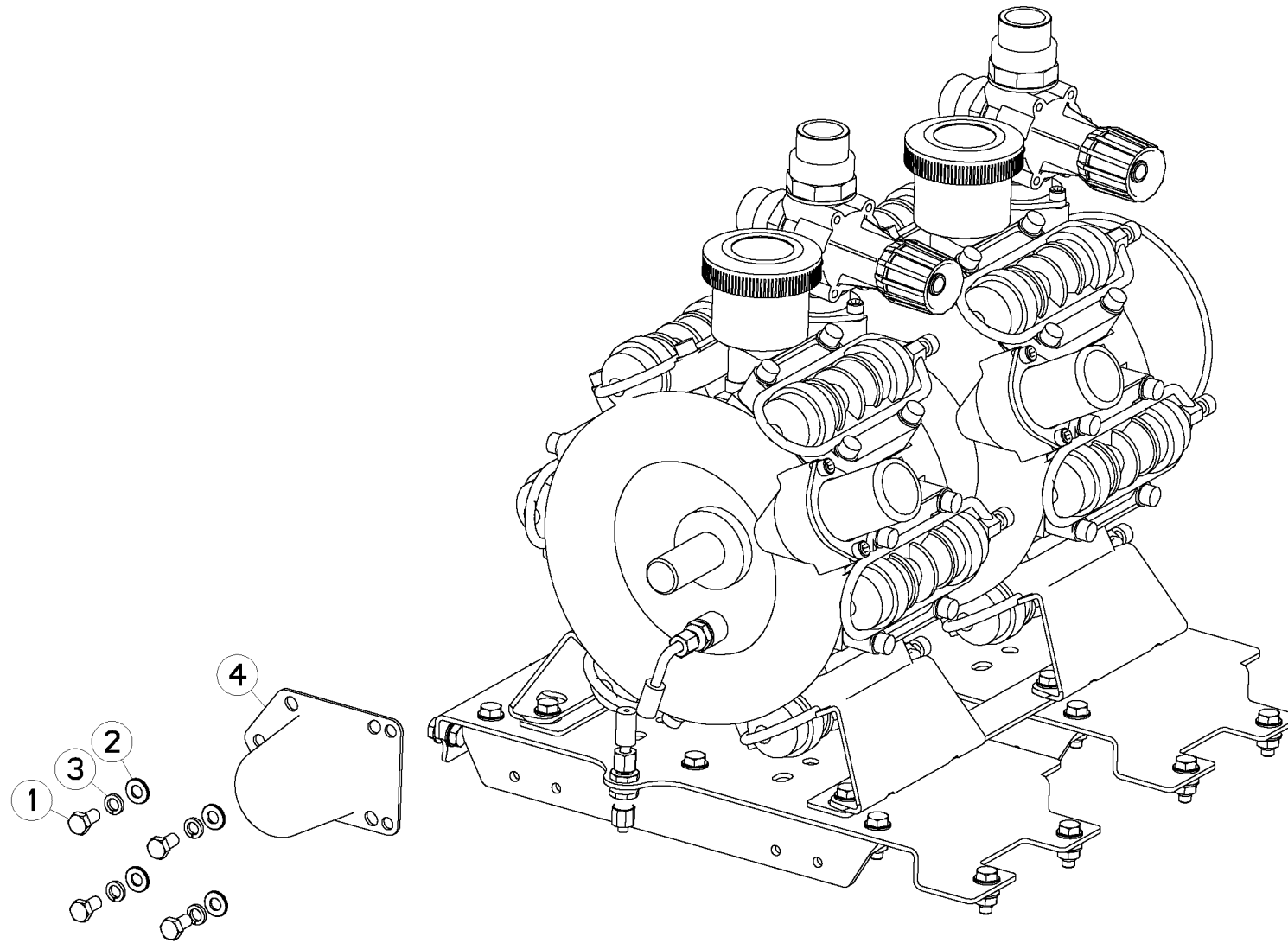
POMPE PM 500 METRIS + FILTRES

PUMP PM 500 METRIS + FILTER

PUMPE PM 500 METRIS + FILTER

POMPA PM 500 METRIS + FILTRO

Rep	Nr	Qt	Designation	Description	Bezeichnung	Referenza	Remarque - Remark - Bemerkung - Osservazioni
001	80060828	005	VIS TETE HEXAGONALE INOX	HEXAGON HEAD SCREW INOX	SECHSKANTSCHRAUBE INOX	VITE A TESTA ESAGONALE INOX	
002	80250831	002	ECROU HEXAG.AUTOFREINE INOX	SELF-LOCKING NUT INOX	SELBSTSICHERNDE MUTTER INOX	DADO AUTOBLOCCANTE INOX	
003	80250800	007	RONDELLE PLATE INOX A2	PLAIN WASHER INOX A2	SCHIBE INOX A2	RONDELLA PIATTALA INOX A2	
004	82063941	006	JOINT TORIQUE VITON VERT	O-RING	O-RING	GUARNIZIONE	
005	82065835	003	JOINT TORIQUE VITON VERT	O-RING	O-RING	GUARNIZIONE	
006	82066879	002	JOINT TORIQUE	O-RING	O-RING	GUARNIZIONE	
007	83090177	010	COLLIER VIS SANS FIN INOX	CLAMP, HOSE	SCHLAUCHSCHELLE	COLLARE	
008	83090181	010	COLLIER	CLAMP, HOSE	SCHLAUCHSCHELLE	COLLARE	
009	83623021	002	FILTRE	FILTER	FILTERPATRONE	FILTRO	
010	83634011	004	ECROU	NUT	MUTTER	DADO	
011	83634012	003	ECROU	NUT	MUTTER	DADO	
012	83634015	001	ECROU	NUT	MUTTER	DADO	
013	83654029	002	REDUCTION	ADAPTER, REDUCER	REDUZIERUNG	RIDUZIONE	
014	83654043	001	MAMELON	UNION	VERBINDUNGSTUCK	NIPPLO	
015	83654046	001	MAMELON	UNION	VERBINDUNGSTUCK		
016	83655025	004	RACCORD	FITTING	VERBINDUNG	RACCORDO	
017	83655031	001	RACCORD	FITTING	VERBINDUNG	RACCORDO	
018	83655087	001	RACCORD	FITTING	VERBINDUNG	RACCORDO	
019	83655101	001	RACCORD	FITTING	VERBINDUNG	RACCORDO	
020	83673116	001	JOINT TORIQUE	O-RING	O-RING	GUARNIZIONE	
021	83673165	002	RACCORD	FITTING	VERBINDUNG	RACCORDO	
022	83673166	001	RACCORD	FITTING	VERBINDUNG	RACCORDO	
023	A6000080	004	JOINT TORIQUE	SEAL (OR)	DICHTUNG (OR)	GUARNIZIONE (OR)	
024	G0546260	001	RACCORD	FITTING	VERBINDUNG	RACCORDO	
025	G4102380	001	SUPPORT	SUPPORT	TRAEGER	SUPPORTO	
026	G9100010	001	TUYAU	PIPE	ROHR	TUBO	
027	G9100020	002	TUYAU	PIPE	ROHR	TUBO	





METRIS

G40R0353 A

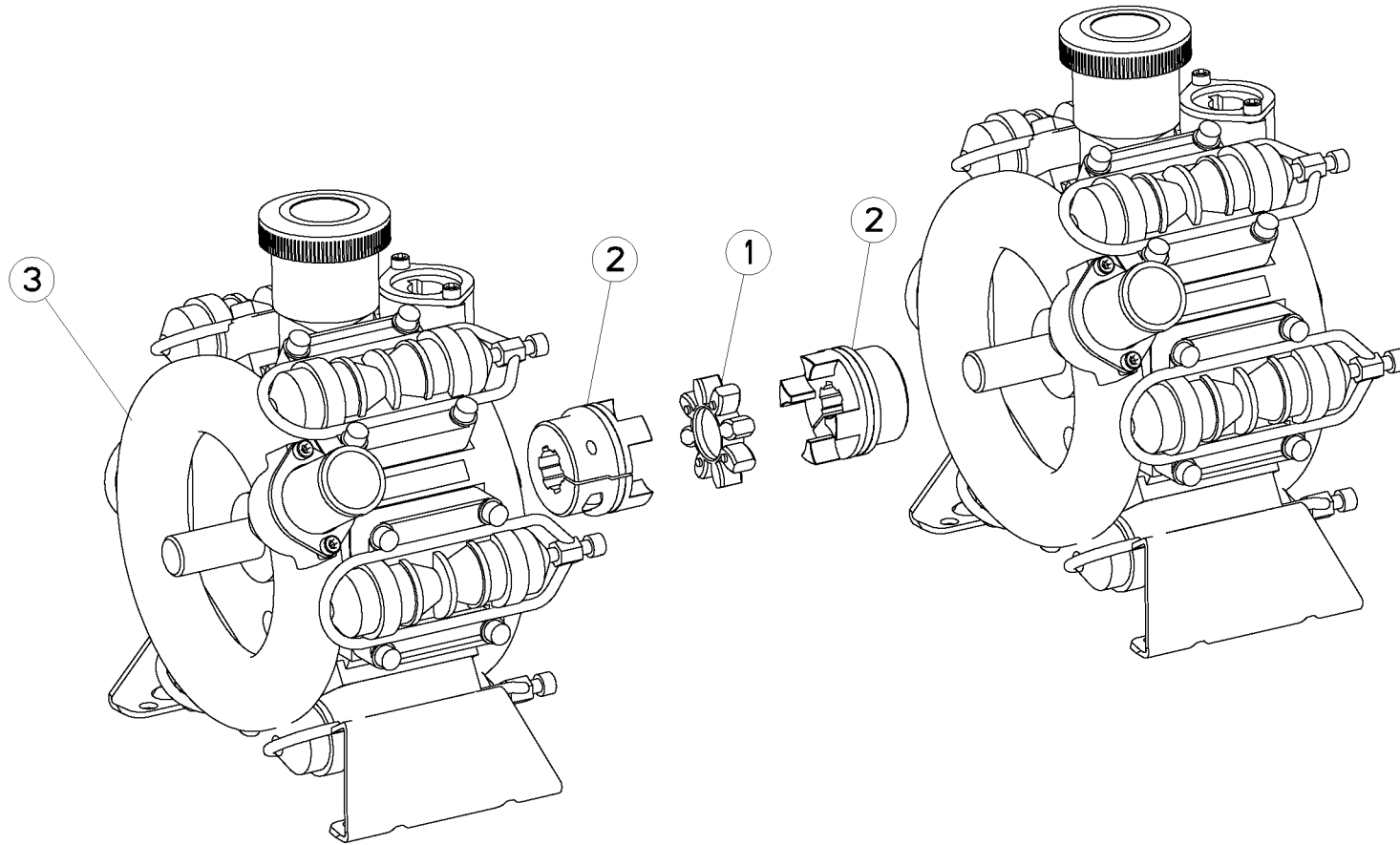
PROTECTEURS PM500 ARRIERE

SAFETY GUARDS PM500 REAR

SCHUTZVORRICHTUNGEN PM500 HINT

PARAPETTI PM500 POSTERIORE

Rep	Nr	Qt	Designation	Description	Bezeichnung	Referenza	Remarque - Remark - Bemerkung - Osservazioni
001	80061021	004	VIS TETE HEXAGONALE INOX	HEXAGON HEAD SCREW INOX	SECHSKANTSCHRAUBE INOX	VITE A TESTA ESAGONALE INOX	
002	80251005	004	RONDELLE PLATE INOX A2	PLAIN WASHER INOX A2	SCHEIBE INOX A2	RONDELLA PIATTALA INOX A2	
003	80271083	004	RONDELLE GROWER INOX A2	WASHER, SPRING LOCK INOX A2	FEDERRING INOX A2	RONDELLA GROWER INOX A2	
004	G0288650	001	KIT PROTECTION POMPE				





METRIS

G40R0263 A

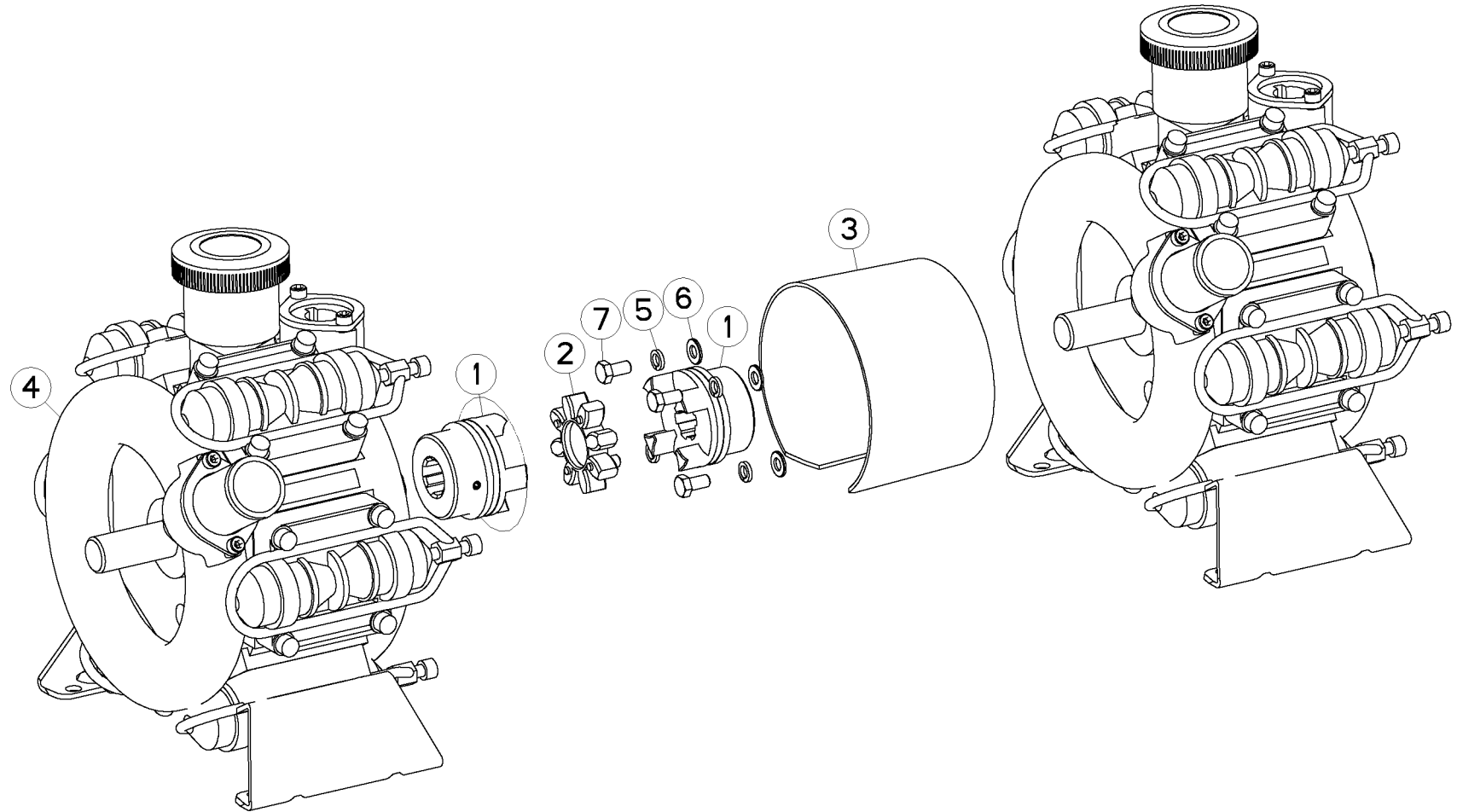
POMPE BP600 1"3/8 1"3/8

PUMP BP600 1"3/8 1"3/8

PUMPE BP600 1"3/8 1"3/8

POMPA BP600 1"3/8 1"3/8

Rep	Nr	Qt	Designation	Description	Bezeichnung	Referenza	Remarque - Remark - Bemerkung - Osservazioni
001	G0546680	001	ANNEAU	RING	RING	ANELLO	
002	G0546670	002	MOYEU COMPLET	HUB, ASSEMBLY	NABE KPL.	MOZZO	
003	G0446000	002	POMPE	PUMP	PUMPE	POMPA	





METRIS

G40R0263 B

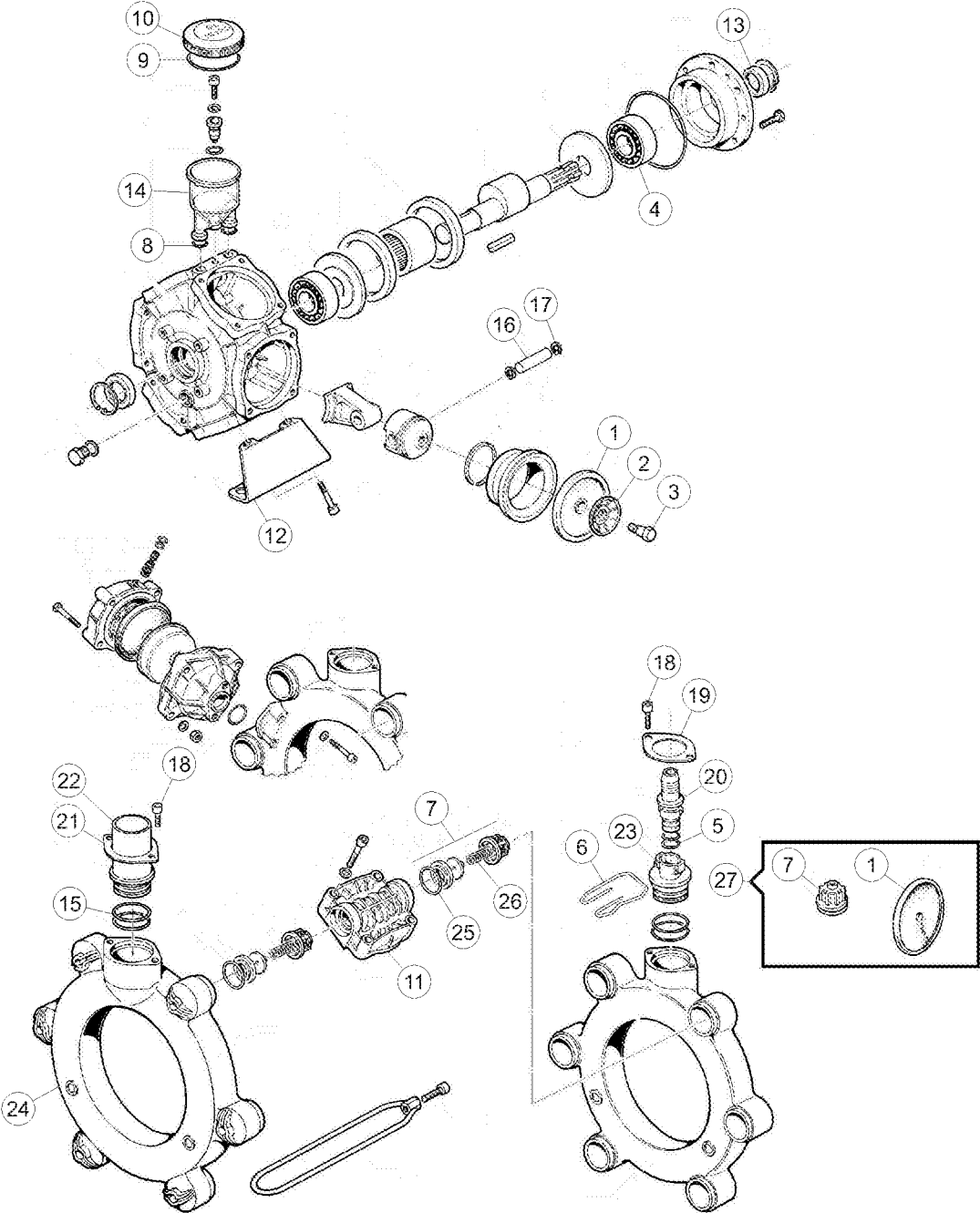
POMPE BP600 1"3/8 1"3/8

PUMP BP600 1"3/8 1"3/8

PUMPE BP600 1"3/8 1"3/8

POMPA BP600 1"3/8 1"3/8

Rep	Nr	Qt	Designation	Description	Bezeichnung	Referenza	Remarque - Remark - Bemerkung - Osservazioni
001	G4108250	002	ACCOUPLLEMENT	COUPLING	KUPPLUNG	ACCOPPIAMENTO	
002	G0546680	001	ANNEAU	RING	RING	ANELLO	
003	G9000940	001	BOL	BOWL	SCHUTZTOPF	PROTEZIONE	
004	G0446000	002	POMPE	PUMP	PUMPE	POMPA	
005	80271083	004	RONDELLE GROWER INOX A2	WASHER, SPRING LOCK INOX A2	FEDERRING INOX A2	RONDELLA GROWER INOX A2	
006	80251005	004	RONDELLE PLATE INOX A2	PLAIN WASHER INOX A2	SCHEIBE INOX A2	RONDELLA PIATTALA INOX A2	
007	80061021	004	VIS TETE HEXAGONALE INOX	HEXAGON HEAD SCREW INOX	SECHSKANTSCHRAUBE INOX	VITE A TESTA ESAGONALE INOX	





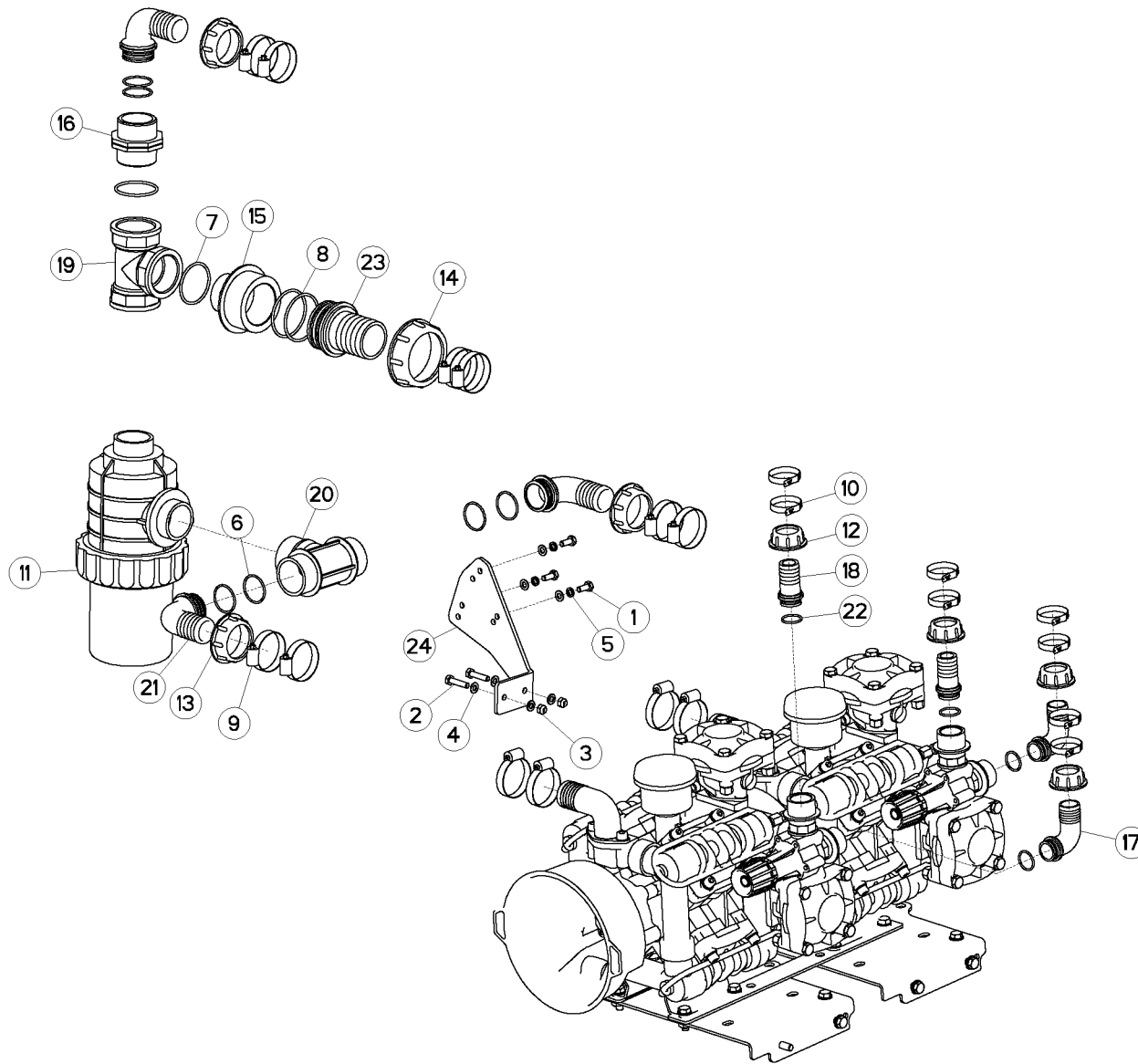
POMPE PM 265

PUMP PM 265

PUMPE PM 265

POMPA PM 265

Rep	Nr	Qt	Designation	Description	Bezeichnung	Referenza	Remarque - Remark - Bemerkung - Osservazioni
001	G0445500	006	MEMBRANE	DIAPHRAGM	MEMBRAN	MEMBRANA	
002	G0271350	006	DISQUE	DISC	SCHEIBE	DISCO	
003	G0271200	006	VIS	SCREW	SCHRAUBE	VITE	
004	81003580	002	ROULEMENT A BILLES	BALL BEARING	KUGELLAGER	CUSCINETTO A SFERE	
005	82062041	002	JOINT TORIQUE	O-RING	O-RING	GUARNIZIONE	
006	G0272400	001	EPINGLE	PIN, COTTER, HAIRPIN	FEDERSTECKER		
007	G0446001	012	CLAPET	VALVE, FLAP	RUECKSCHLAGVENTIL	VALVOLA	
008	G0274800	002	JOINT	SEAL	DICHTUNG	GUARNIZIONE	
009	G0409819	001	JOINT	SEAL	DICHTUNG	GUARNIZIONE	
010	G0409818	001	COUVERCLE	LID	DECKEL	COPERCHIO	
011	G0272350	006	CULASSE				
012	G0446002	002	PATTE	BRACKET	BEFESTIGUNGSEISEN	FAZZOLETTO	
013	83070076	001	ANNEAU	RING	RING	ANELLO	
014	G0409814	001	RESERVOIR	RESERVOIR	TANK	SERBATOIO	
015	82063950	002	JOINT TORIQUE	O-RING	O-RING	GUARNIZIONE	
016	G0273900	006	AXE	PIN	ACHSE	ASSE	
017	G0274000	012	CIRCLIP	SNAP RING	SICHERUNGSRING	ANNELLO ELASTICO	
018	G0409828	004	VIS	SCREW	SCHRAUBE	VITE	
019	G0409827	001	BRIDE	CLAMP	BUEGEL	STAFFA	
020	G0409829	001	RACCORD	FITTING	VERBINDUNG	RACCORDO	
021	G0765879	001	BRIDE	CLAMP	BUEGEL	STAFFA	
022	G0421400	001	MANCHON	SLEEVE	MUFFE	MANICOTTO	
023	G0446003	001	RACCORD	FITTING	VERBINDUNG	RACCORDO	
024	G9001100	002	COLLECTEUR	MANIFOLD	KOLLEKTOR	COLLETTORE	
025	G9001080	012	JOINT	SEAL	DICHTUNG	GUARNIZIONE	
026	G9001090	012	RESSORT	SPRING	FEDER	MOLLA	
027	G9001110	001	COLLECTION	KIT	SATZ	COLLEZIONE	





METRIS

G40R0257 B

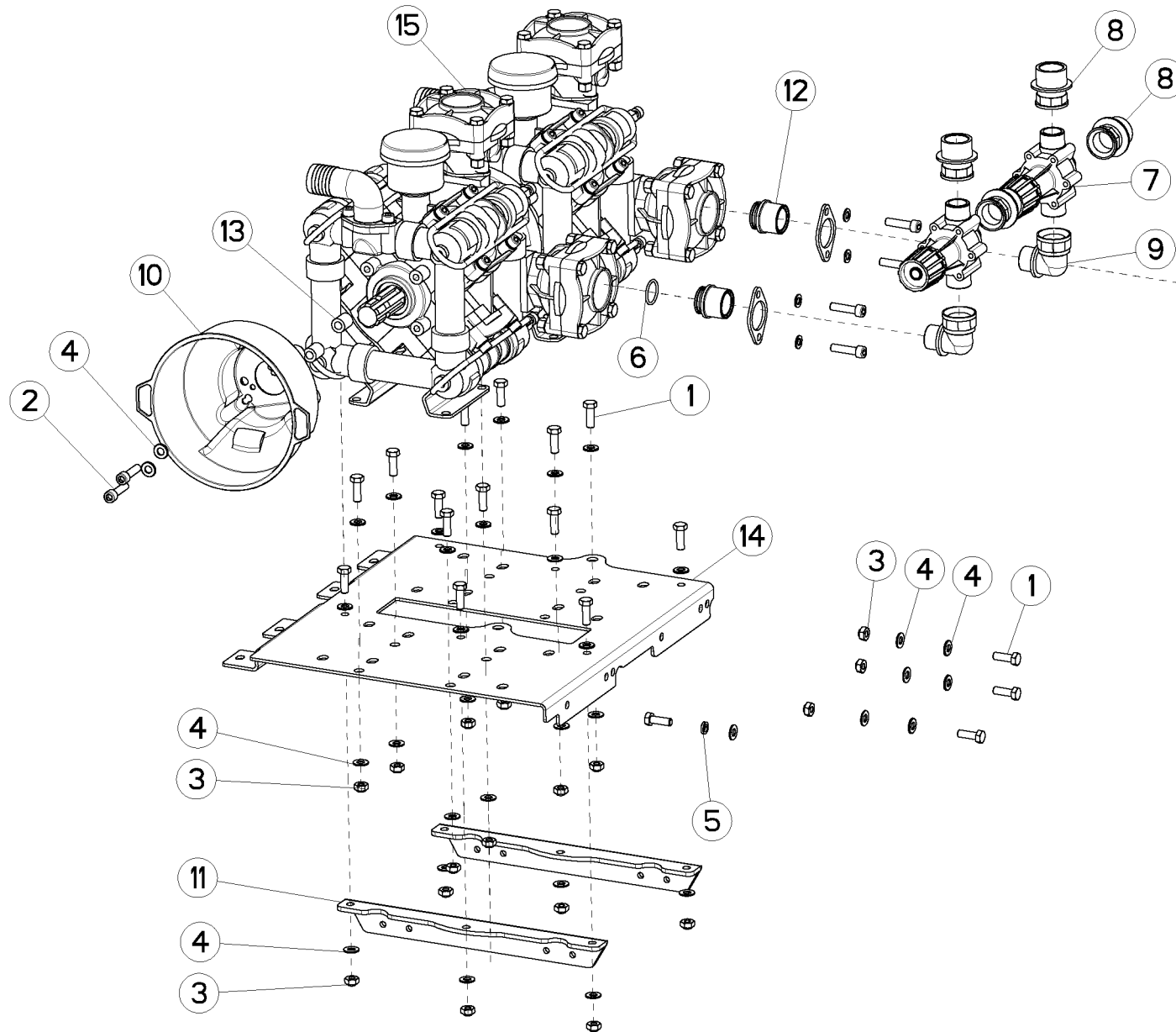
POMPE PM 320 METRIS + FILTRES

PUMP PM 320 METRIS + FILTER

PUMPE PM 320 METRIS + FILTER

POMPA PM 320 METRIS + FILTRO

Rep	Nr	Qt	Designation	Description	Bezeichnung	Referenza	Remarque - Remark - Bemerkung - Osservazioni
001	80060820	003	VIS TETE HEXAGONALE FE/ZNXC3	HEXAGON HEAD SCREW FE/ZNXC3	SECHSKANTSCHRAUBE FE/ZNXC3	VITE TESTA ESAGONALE FE/ZNXC3	
002	80060836	002	VIS TETE HEXAGONALE INOX	HEXAGON HEAD SCREW INOX	SECHSKANTSCHRAUBE INOX	VITE A TESTA ESAGONALE INOX	
003	80200831	002	ECROU HEXAG.AUTOFREINE INOX	SELF-LOCKING NUT INOX	SELBSTSICHERNDE MUTTER INOX	DADO AUTOBLOCCANTE INOX	
004	80250800	007	RONDELLE PLATE INOX A2	PLAIN WASHER INOX A2	SCHEIBE INOX A2	RONDELLA PIATTALA INOX A2	
005	80270883	003	RONDELLE GROWER INOX A2	WASHER, SPRING LOCK INOX A2	FEDERRING INOX A2	RONDELLA GROWER INOX A2	
006	82063941	006	JOINT TORIQUE VITON VERT	O-RING	O-RING	GUARNIZIONE	
007	82065835	002	JOINT TORIQUE VITON VERT	O-RING	O-RING	GUARNIZIONE	
008	82066879	002	JOINT TORIQUE	O-RING	O-RING	GUARNIZIONE	
009	83090177	012	COLLIER VIS SANS FIN INOX	CLAMP, HOSE	SCHLAUCHSCHELLE	COLLARE	
010	83090181	008	COLLIER	CLAMP, HOSE	SCHLAUCHSCHELLE	COLLARE	
011	83623021	001	FILTRE	FILTRE	FILTERPATRONE	FILTRO	
012	83634011	004	ECROU	NUT	MUTTER	DADO	
013	83634012	003	ECROU	NUT	MUTTER	DADO	
014	83634015	001	ECROU	NUT	MUTTER	DADO	
015	83654029	001	REDUCTION	ADAPTER, REDUCER	REDUZIERUNG	RIDUZIONE	
016	83654043	001	MAMELON	UNION	VERBINDUNGSTUCK	NIPPLO	
017	83655025	002	RACCORD	FITTING	VERBINDUNG	RACCORDO	
018	83655053	002	RACCORD	FITTING	VERBINDUNG	RACCORDO	
019	83655101	001	RACCORD	FITTING	VERBINDUNG	RACCORDO	
020	83655102	001	RACCORD	FITTING	VERBINDUNG	RACCORDO	
021	83673167	003	RACCORD	FITTING	VERBINDUNG	RACCORDO	
022	A6000080	004	JOINT TORIQUE	SEAL (OR)	DICHTUNG (OR)	GUARNIZIONE (OR)	
023	G0546260	001	RACCORD	FITTING	VERBINDUNG	RACCORDO	
024	G4102380	001	SUPPORT	SUPPORT	TRAEGER	SUPPORTO	





METRIS

G40R0258 D

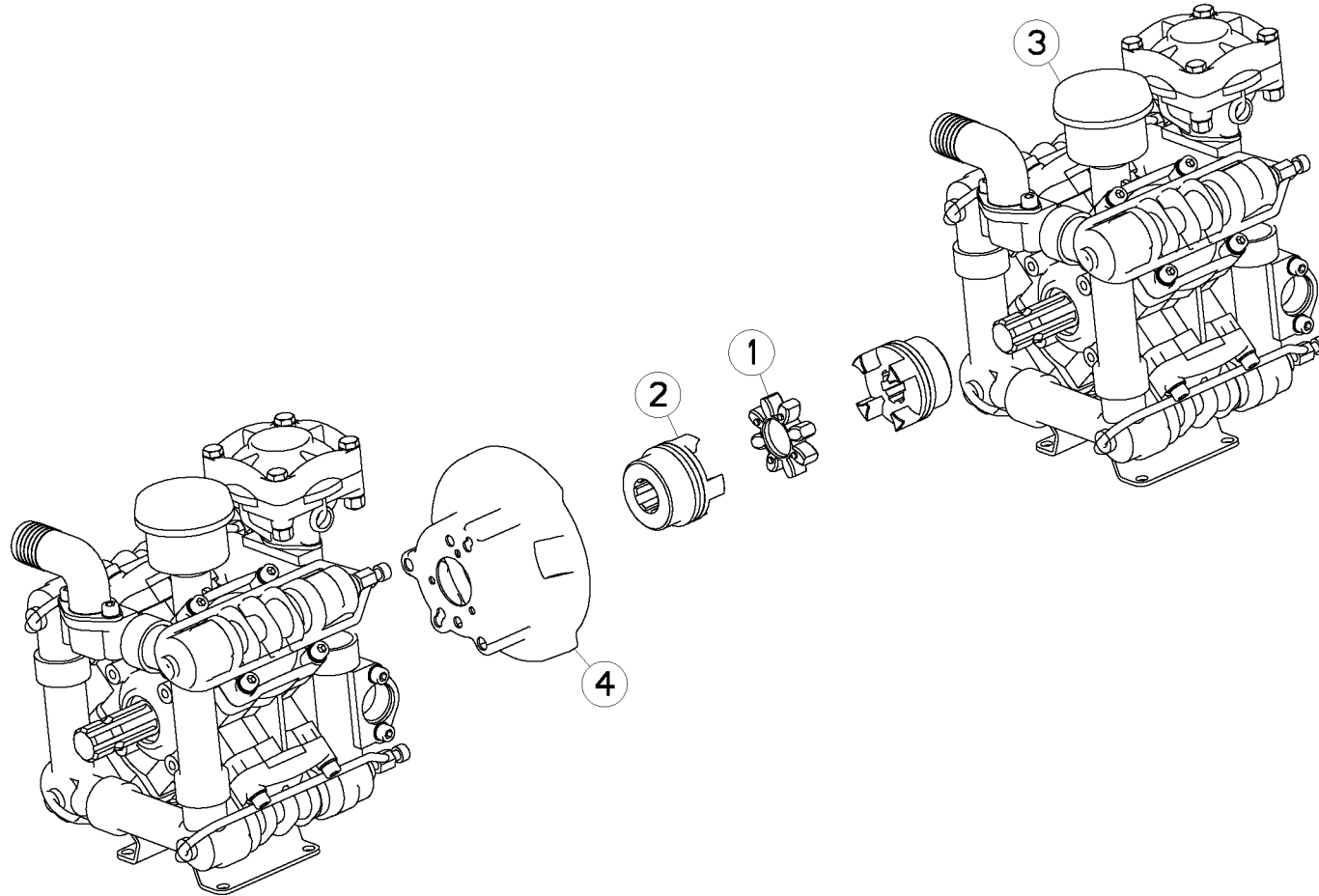
POMPE PM 320 METRIS

PUMP PM 320 METRIS

PUMPE PM 320 METRIS

POMPA PM 320 METRIS

Rep	Nr	Qt	Designation	Description	Bezeichnung	Referenza	Remarque - Remark - Bemerkung - Osservazioni
001	80061031	022	VIS TETE HEXAGONALE INOX	HEXAGON HEAD SCREW INOX	SECHSKANTSCHRAUBE INOX	VITE A TESTA ESAGONALE INOX	
002	80081042	002	VIS TETE CYL.SIX P.CRE.INOX	HEX.SOCKET HEAD CAP SCREW INOX	ZYLINDERSCHR.INNENSECHSK.INOX	VITE A TESTA CILINDRICA INOX	
003	80201049	021	ECROU HEX.BAS AUTOFR.INOX	SELF-LOCKING NUT INOX	SELBSTSICHERNDE MUTTER INOX	DADO AUTOBLOCCANTE INOX	
004	80251005	045	RONDELLE PLATE INOX A2	PLAIN WASHER INOX A2	SCHEIBE INOX A2	RONDELLA PIATTALA INOX A2	
005	80271083	001	RONDELLE GROWER INOX A2	WASHER, SPRING LOCK INOX A2	FEDERRING INOX A2	RONDELLA GROWER INOX A2	
006	82062935	002	JOINT TORIQUE	O-RING	O-RING	GUARNIZIONE	
007	83610039	002	VANNE	VALVE, SHUT-OFF	SCHIEBER	SARACINESCA	
008	83654017	004	REDUCTION	ADAPTER, REDUCER	REDUZIERUNG	RIDUZIONE	
009	83656002	002	COUDE	FITTING, HYDRAULIC, ELBOW	BOGEN	CURVA	
010	G0408310	001	BOL	BOWL	SCHUTZTOPF	PROTEZIONE	
011	G4102640	002	TOLE	SHEET	BLECH	TELA	
012	G4103480	002	ADAPTATEUR	FITTING, HYDRAULIC, ADAPTER	ANBAUELEMENT	ADATTATORE	
013	G4104880	002	ENTRETOISE	SPACER	DISTANZHUELSE	DISTANZIALE	
014	G4106690	001	PLAQUE	PLATE	PLATTE	PIASTRA	
015	G9000670	001	POMPE	PUMP	PUMPE	POMPA	





METRIS

G40R0259 B

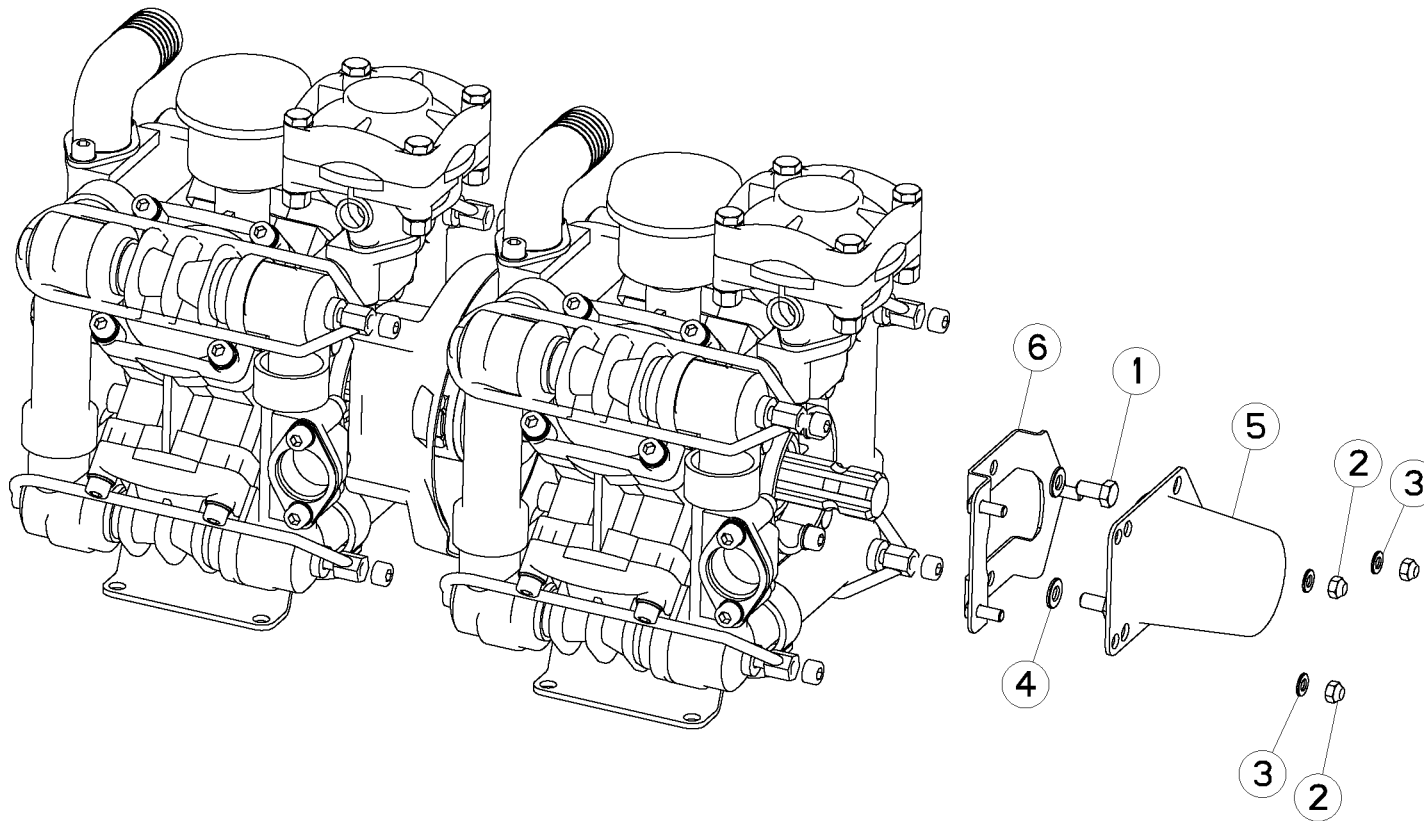
POMPE PM320

PUMP PM320

PUMPE PM320

POMPA PM320

Rep	Nr	Qt	Designation	Description	Bezeichnung	Referenza	Remarque - Remark - Bemerkung - Osservazioni
001	G0546680	001	ANNEAU	RING	RING	ANELLO	
002	G4108250	002	ACCOUPLMENT	COUPLING	KUPPLUNG	ACCOPPIAMENTO	
003	G9000660	002	POMPE	PUMP	PUMPE	POMPA	
004	G9000680	001	BOL	BOWL	SCHUTZTOPF	PROTEZIONE	





METRIS

G40R0376 A

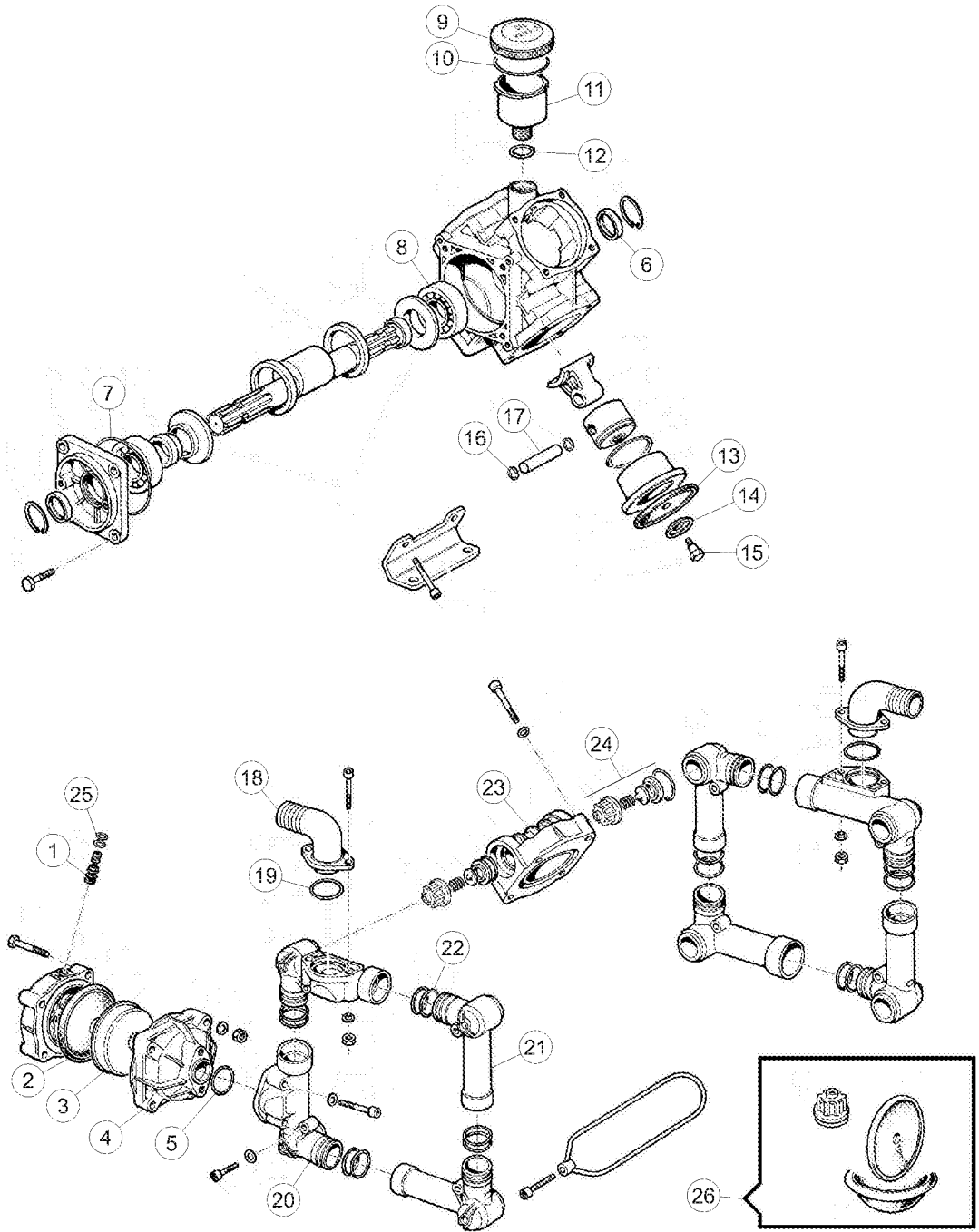
PROTECTEUR PM320 POMPE

SAFETY GUARDS PM320 PUMP

SCHUTZVORRICHTUNG PM320 PUMPE

PARAPETTI PM320 POMPA

Rep	Nr	Qt	Designation	Description	Bezeichnung	Referenza	Remarque - Remark - Bemerkung - Osservazioni
001	80061021	002	VIS TETE HEXAGONALE INOX	HEXAGON HEAD SCREW INOX	SECHSKANTSCHRAUBE INOX	VITE A TESTA ESAGONALE INOX	
002	80200831	003	ECROU HEXAG.AUTOFREINE INOX	SELF-LOCKING NUT INOX	SELBSTSICHERNDE MUTTER INOX	DADO AUTOBLOCCANTE INOX	
003	80250800	003	RONDELLE PLATE INOX A2	PLAIN WASHER INOX A2	SCHEIBE INOX A2	RONDELLA PIATTALA INOX A2	
004	80251005	002	RONDELLE PLATE INOX A2	PLAIN WASHER INOX A2	SCHEIBE INOX A2	RONDELLA PIATTALA INOX A2	
005	G0288650	001	KIT PROTECTION POMPE				
006	G4003110	001	FIXATION	MOUNT	VERBINDUNGSSTUECK	ATTACCO GANCIO	





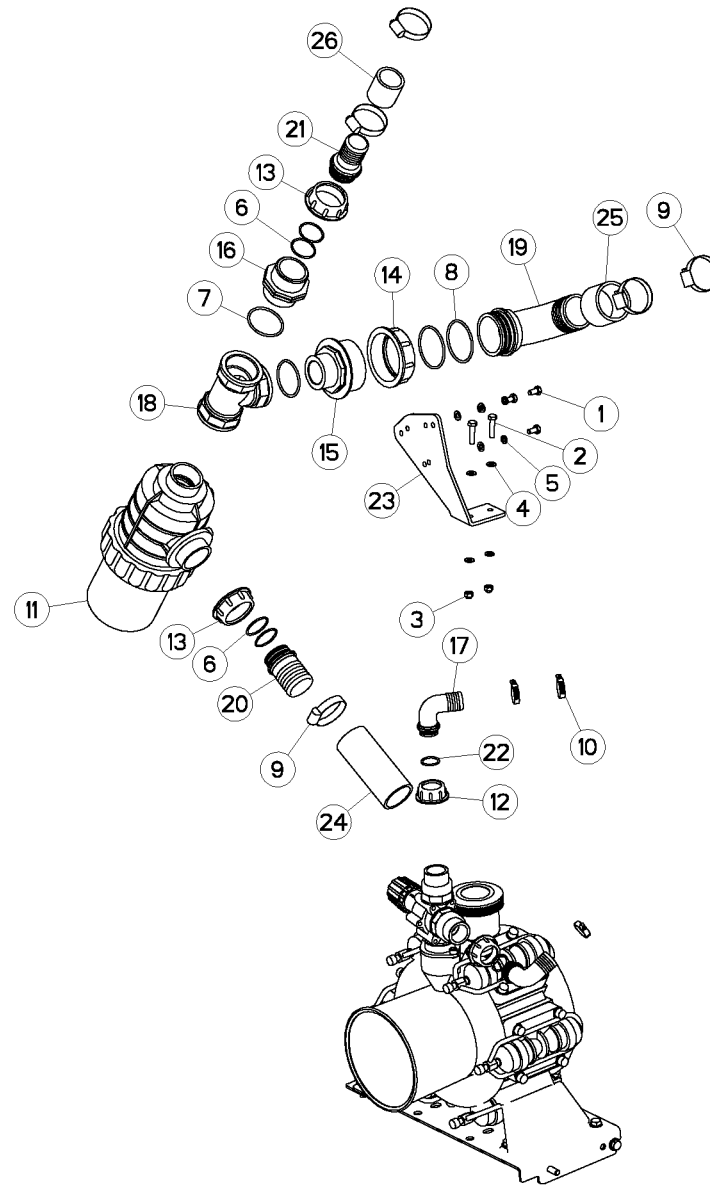
POMPE PM 165

PUMP PM 165

PUMPE PM 165

POMPA PM 165

Rep	Nr	Qt	Designation	Description	Bezeichnung	Referenza	Remarque - Remark - Bemerkung - Osservazioni
001	G0271800	001	VALVE	VALVE	VENTIL	VALVOLA	
002	G0272000	001	MEMBRANE	DIAPHRAGM	MEMBRAN	MEMBRANA	
003	G0272100	001	CALOTTE	CAP	HAUBE	CALOTTA	
004	G0409800	001	BOUTEILLE D'AIR INF.				
005	G0409810	001	JOINT TORIQUE	O-RING	O-RING	GUARNIZIONE	
006	83070076	002	ANNEAU	RING	RING	ANELLO	
007	G0409824	001	JOINT TORIQUE	O-RING	O-RING	GUARNIZIONE	
008	81003580	002	ROULEMENT A BILLES	BALL BEARING	KUGELLAGER	CUSCINETTO A SFERE	
009	G0409818	001	COUVERCLE	LID	DECKEL	COPERCHIO	
010	G0409819	001	JOINT	SEAL	DICHTUNG	GUARNIZIONE	
011	G0409820	001	RESERVOIR	RESERVOIR	TANK	SERBATOIO	
012	G0409821	001	JOINT	SEAL	DICHTUNG	GUARNIZIONE	
013	G0271410	004	MEMBRANE	DIAPHRAGM	MEMBRAN	MEMBRANA	
014	G0271350	004	DISQUE	DISC	SCHEIBE	DISCO	
015	G0271200	004	VIS	SCREW	SCHRAUBE	VITE	
016	G0274000	008	CIRCLIP	SNAP RING	SICHERUNGSRING	ANELLO ELASTICO	
017	G0273900	004	AXE	PIN	ACHSE	ASSE	
018	83655015	001	RACCORD	FITTING	VERBINDUNG	RACCORDO	
019	82062935	001	JOINT TORIQUE	O-RING	O-RING	GUARNIZIONE	
020	G0409811	003	TUBE	TUBE	ROHR	TUBO	
021	G0409812	003	TUBE	TUBE	ROHR	TUBO	
022	G0409813	016	JOINT TORIQUE	O-RING	O-RING	GUARNIZIONE	
023	G0272350	004	CULASSE				
024	G0446001	008	CLAPET	VALVE, FLAP	RUECKSCHLAGVENTIL	VALVOLA	
025	G0271801	002	JOINT	SEAL	DICHTUNG	GUARNIZIONE	
026	G9001120	001	COLLECTION	KIT	SATZ	COLLEZIONE	





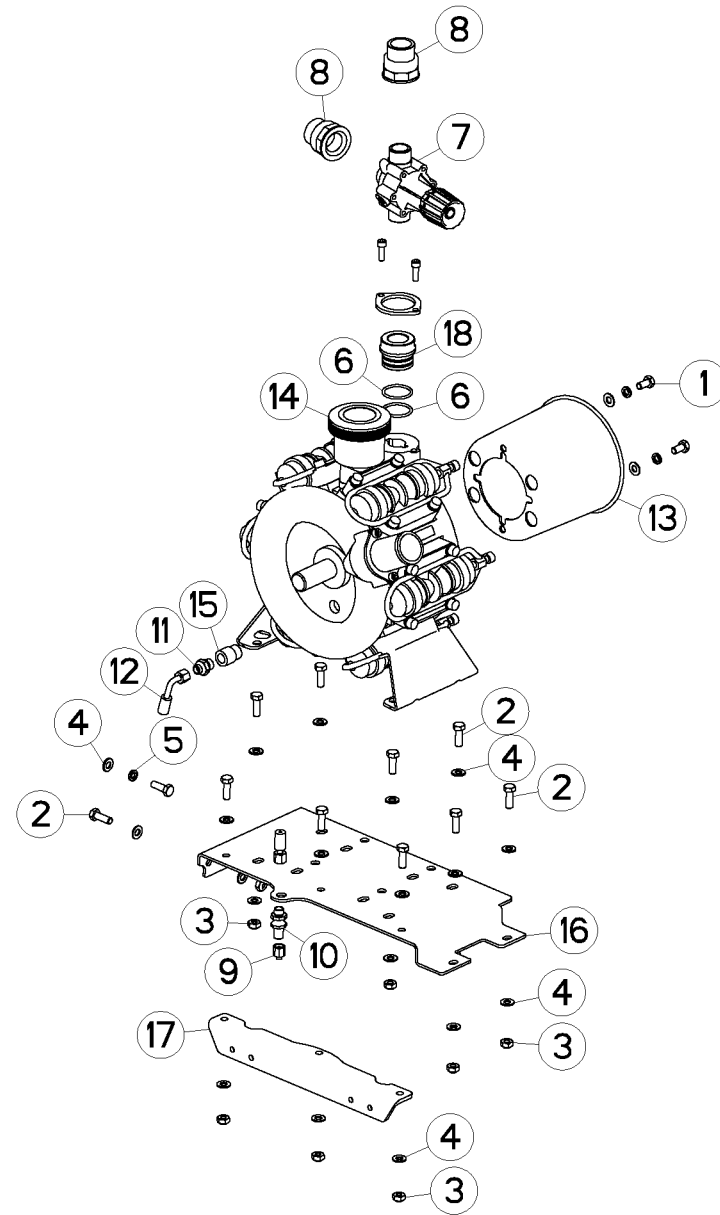
POMPE PM 265 METRIS + FILTRE D

PUMP PM 265 METRIS + SUCTION F

PUMPE PM 265 METRIS + SAUGFILT

POMPA PM 265 METRIS + FILTRO D

Rep	Nr	Qt	Designation	Description	Bezeichnung	Referenza	Remarque - Remark - Bemerkung - Osservazioni
001	80060817	003	VIS TETE HEXAGONALE INOX	HEXAGON HEAD SCREW INOX	SECHSKANTSCHRAUBE INOX	VITE A TESTA ESAGONALE INOX	
002	80060836	002	VIS TETE HEXAGONALE INOX	HEXAGON HEAD SCREW INOX	SECHSKANTSCHRAUBE INOX	VITE A TESTA ESAGONALE INOX	
003	80200831	002	ECROU HEXAG.AUTOFREINE INOX	SELF-LOCKING NUT INOX	SELBSTSICHERNDE MUTTER INOX	DADO AUTOBLOCCANTE INOX	
004	80250800	007	RONDELLE PLATE INOX A2	PLAIN WASHER INOX A2	SCHEIBE INOX A2	RONDELLA PIATTALA INOX A2	
005	80270883	003	RONDELLE GROWER INOX A2	WASHER, SPRING LOCK INOX A2	FEDERRING INOX A2	RONDELLA GROWER INOX A2	
006	82063941	004	JOINT TORIQUE VITON VERT	O-RING	O-RING	GUARNIZIONE	
007	82065835	002	JOINT TORIQUE VITON VERT	O-RING	O-RING	GUARNIZIONE	
008	82066879	002	JOINT TORIQUE	O-RING	O-RING	GUARNIZIONE	
009	83090177	005	COLLIER VIS SANS FIN INOX	CLAMP, HOSE	SCHLAUCHSCHELLE	COLLARE	
010	83090179	003	COLLIER	CLAMP, HOSE	SCHLAUCHSCHELLE	COLLARE	
011	83623021	001	FILTRE	FILTER	FILTERPATRONE	FILTRO	
012	83634011	002	ECROU	NUT	MUTTER	DADO	
013	83634012	002	ECROU	NUT	MUTTER	DADO	
014	83634015	001	ECROU	NUT	MUTTER	DADO	
015	83654029	001	REDUCTION	ADAPTER, REDUCER	REDUZIERUNG	RIDUZIONE	
016	83654043	001	MAMELON	UNION	VERBINDUNGSTUCK	NIPPLO	
017	83655025	002	RACCORD	FITTING	VERBINDUNG	RACCORDO	
018	83655101	001	RACCORD	FITTING	VERBINDUNG	RACCORDO	
019	83656004	001	COUDE	FITTING, HYDRAULIC, ELBOW	BOGEN	CURVA	
020	83673165	001	RACCORD	FITTING	VERBINDUNG	RACCORDO	
021	83673166	001	RACCORD	FITTING	VERBINDUNG	RACCORDO	
022	A6000080	002	JOINT TORIQUE	SEAL (OR)	DICHTUNG (OR)	GUARNIZIONE (OR)	
023	G4102380	001	SUPPORT	SUPPORT	TRAEGER	SUPPORTO	
024	G9100020	001	TUYAU	PIPE	ROHR	TUBO	
025	G9100030	001	TUYAU	PIPE	ROHR	TUBO	
026	G9100910	001	TUYAU	PIPE	ROHR	TUBO	





METRIS

G40R0254 A

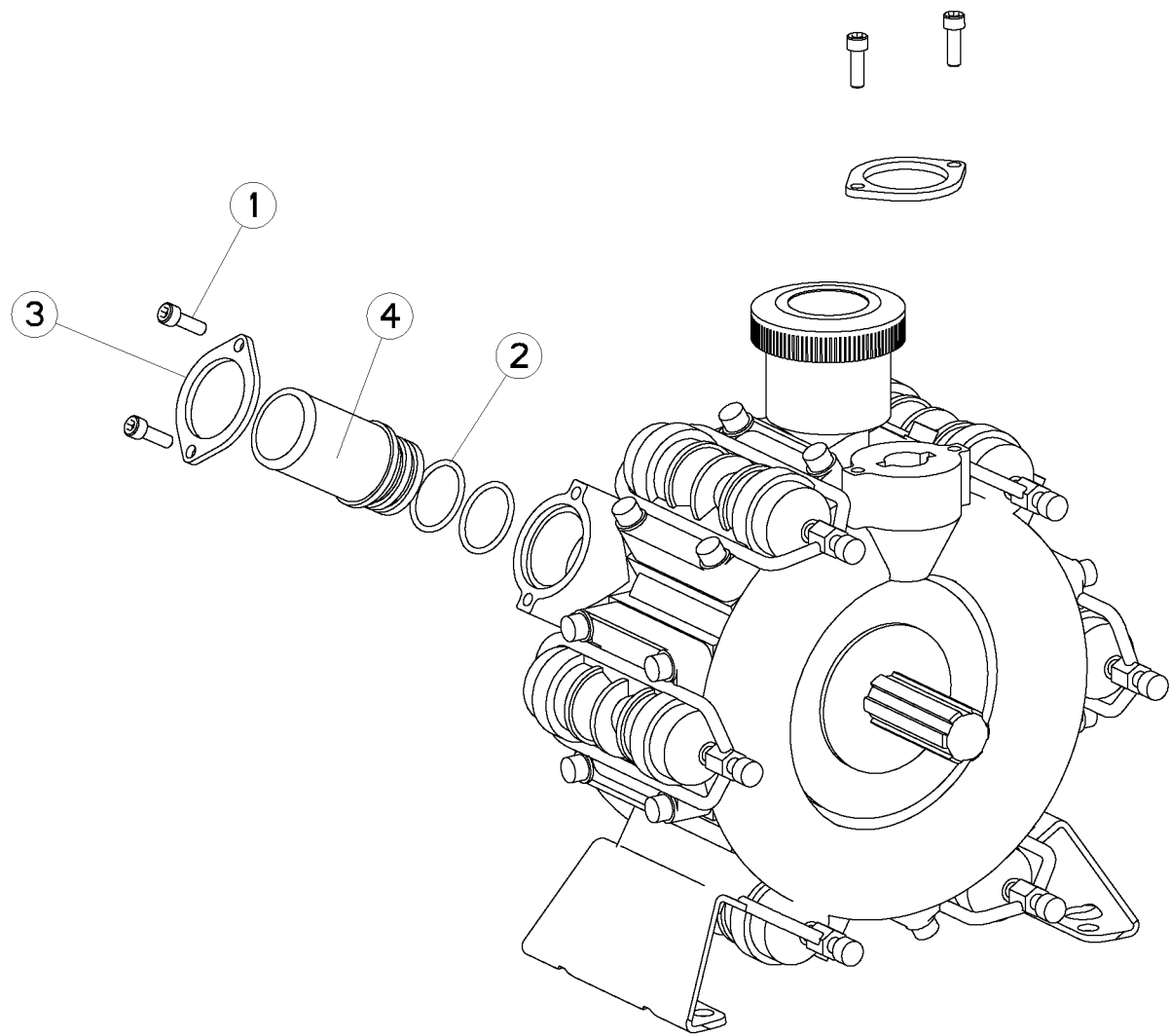
POMPE BP 280 METRIS

PUMP BP 280 METRIS

PUMPE BP 280 METRIS

POMPA BP 280 METRIS

Rep	Nr	Qt	Designation	Description	Bezeichnung	Referenza	Remarque - Remark - Bemerkung - Osservazioni
001	80061021	002	VIS TETE HEXAGONALE INOX	HEXAGON HEAD SCREW INOX	SECHSKANTSCHRAUBE INOX	VITE A TESTA ESAGONALE INOX	
002	80061031	011	VIS TETE HEXAGONALE INOX	HEXAGON HEAD SCREW INOX	SECHSKANTSCHRAUBE INOX	VITE A TESTA ESAGONALE INOX	
003	80201049	010	ECROU HEX.BAS AUTOFR.INOX	SELF-LOCKING NUT INOX	SELBSTSICHERNDE MUTTER INOX	DADO AUTOBLOCCANTE INOX	
004	80251005	023	RONDELLE PLATE INOX A2	PLAIN WASHER INOX A2	SCHEIBE INOX A2	RONDELLA PIATTALA INOX A2	
005	80271083	003	RONDELLE GROWER INOX A2	WASHER, SPRING LOCK INOX A2	FEDERRING INOX A2	RONDELLA GROWER INOX A2	
006	82063950	002	JOINT TORIQUE	O-RING	O-RING	GUARNIZIONE	
007	83610039	001	VANNE	VALVE, SHUT-OFF	SCHIEBER	SARACINESCA	
008	83654017	002	REDUCTION	ADAPTER, REDUCER	REDUZIERUNG	RIDUZIONE	
009	A4061517	001	OBTURATEUR FE/ZNNI	BLANKING PLUG	VERSCHLUSSSTOPFEN	TAPPO FEMMINA	
010	A4080319	001	UNION DOUBLE/CLOISON FE/ZNNI	BULKHEAD UNION	VERBINDUNGSNIPEL	CONNETTORE	
011	A4080488	001	UNION MALE FE/ZNNI	FITTING, HYDRAULIC, UNION	VERBINDUNG	CONNETTORE	
012	A4920188	001	FLEXIBLE	HOSE, HYDRAULIC	HYDRAULIKSCHLAUCH	TUBO IN GOMMA	<->250 mm
013	G0420810	001	BOL	BOWL	SCHUTZTOPF	PROTEZIONE	
014	G0446000	001	POMPE	PUMP	PUMPE	POMPA	
015	G0695052	001	REDUCTION M-F 22X1.5-3/8				
016	G4100400	001	PLAQUE	PLATE	PLATTE	PIASTRA	
017	G4102640	001	TOLE	SHEET	BLECH	TELA	
018	G4103380	001	ADAPTATEUR	FITTING, HYDRAULIC, ADAPTER	ANBAUELEMENT	ADATTATORE	





METRIS

G40R0256 A

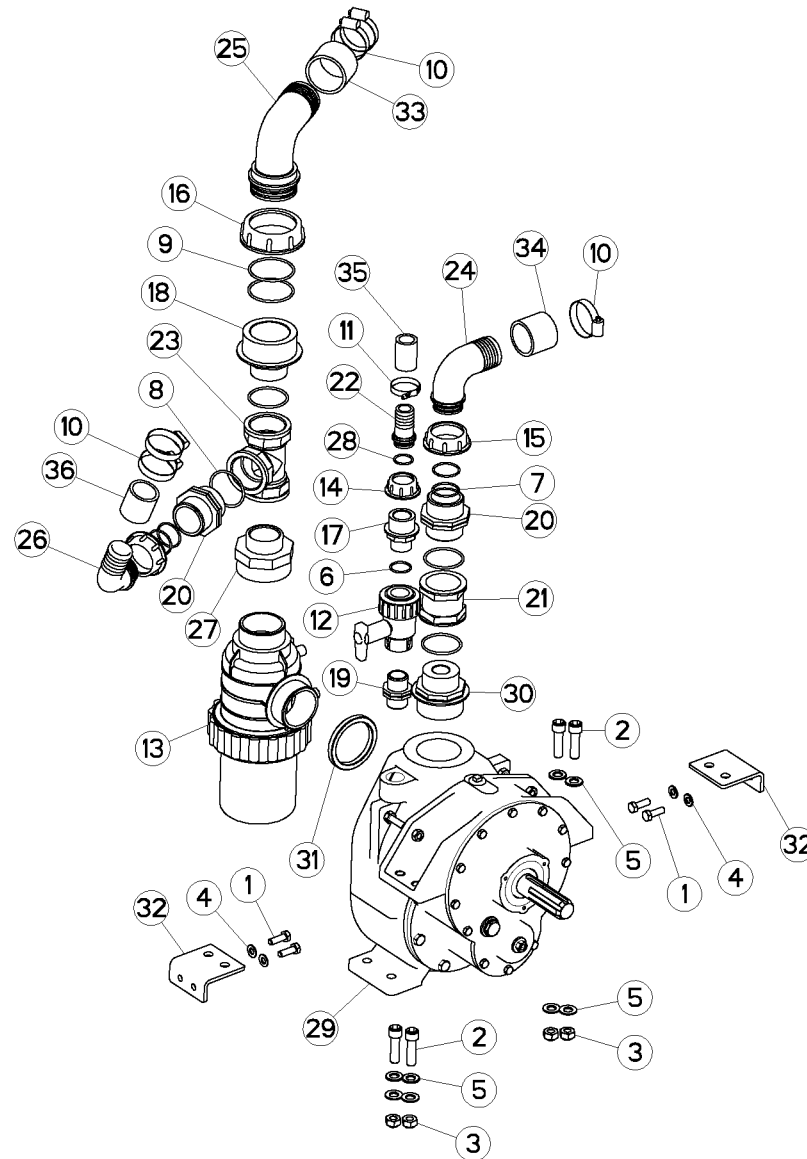
POMPE BP 280 + RACCORD

PUMP BP 280 + COUPLING

PUMPE BP 280 + ANSCHLUSS

POMPA BP 280 + RACCORDO

Rep	Nr	Qt	Designation	Description	Bezeichnung	Referenza	Remarque - Remark - Bemerkung - Osservazioni
001	80080826	004	VIS TETE CYL.SIX P.CRE.INOX	HEX.SOCKET HEAD CAP SCREW INOX	ZYLINDERSCHR.INNENSECHSK.INOX	VITE A TESTA CILINDRICA INOX	
002	82063950	002	JOINT TORIQUE	O-RING	O-RING	GUARNIZIONE	
003	G0409827	002	BRIDE	CLAMP	BUEGEL	STAFFA	
004	G0548710	001	RACCORD	FITTING	VERBINDUNG	RACCORDO	





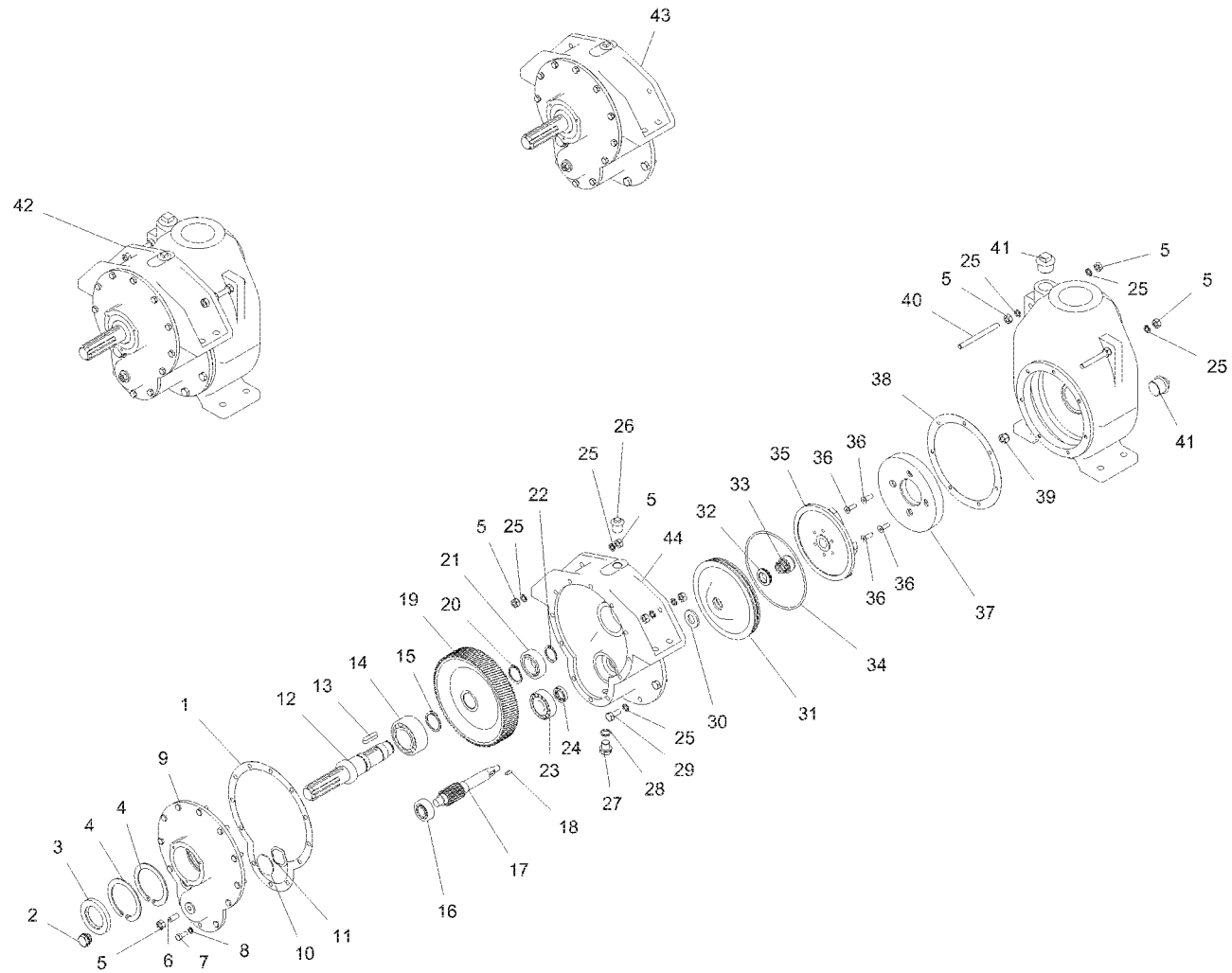
POMPE PC 700 METRIS

PUMP PC 700 METRIS

PUMPE PC 700 METRIS

POMPA PC 700 METRIS

Rep	Nr	Qt	Designation	Description	Bezeichnung	Referenza	Remarque - Remark - Bemerkung - Osservazioni
001	80061031	004	VIS TETE HEXAGONALE INOX	HEXAGON HEAD SCREW INOX	SECHSKANTSCHRAUBE INOX	VITE A TESTA ESAGONALE INOX	
002	80081451	004	VIS TETE CYL.SIX P.CRE.INOX				
003	80201431	004	ECROU HEX.BAS AUTOFR.INOX	SELF-LOCKING NUT INOX	SELBSTSICHERNDE MUTTER INOX	DADO AUTOBLOCCANTE INOX	
004	80251005	004	RONDELLE PLATE INOX A2	PLAIN WASHER INOX A2	SCHEIBE INOX A2	RONDELLA PIATTALA INOX A2	
005	80251400	008	RONDELLE PLATE INOX A2	PLAIN WASHER INOX A2	SCHEIBE INOX A2	RONDELLA PIATTALA INOX A2	
006	82062908	001	JOINT TORIQUE VITON VERT	O-RING	O-RING	GUARNIZIONE	
007	82063941	004	JOINT TORIQUE VITON VERT	O-RING	O-RING	GUARNIZIONE	
008	82065835	004	JOINT TORIQUE VITON VERT	O-RING	O-RING	GUARNIZIONE	
009	82066879	002	JOINT TORIQUE	O-RING	O-RING	GUARNIZIONE	
010	83090177	005	COLLIER VIS SANS FIN INOX	CLAMP, HOSE	SCHLAUCHSCHELLE	COLLARE	
011	83090181	001	COLLIER	CLAMP, HOSE	SCHLAUCHSCHELLE	COLLARE	
012	83610019	001	VANNE	VALVE, SHUT-OFF	SCHIEBER	SARACINESCA	
013	83623020	001	FILTRE	FILTER	FILTERPATRONE	FILTRO	
014	83634011	001	ECROU	NUT	MUTTER	DADO	
015	83634012	002	ECROU	NUT	MUTTER	DADO	
016	83634015	001	ECROU	NUT	MUTTER	DADO	
017	83654022	001	REDUCTION	ADAPTER, REDUCER	REDUZIERUNG	RIDUZIONE	
018	83654029	001	REDUCTION	ADAPTER, REDUCER	REDUZIERUNG	RIDUZIONE	
019	83654035	001	MAMELON	UNION	VERBINDUNGSTUCK		
020	83654043	002	MAMELON	UNION	VERBINDUNGSTUCK	NIPPLO	
021	83654049	001	MANCHON	SLEEVE	MUFFE	MANICOTTO	
022	83655053	001	RACCORD	FITTING	VERBINDUNG	RACCORDO	
023	83655101	001	RACCORD	FITTING	VERBINDUNG	RACCORDO	
024	83656003	001	COUDE	FITTING, HYDRAULIC, ELBOW	BOGEN	CURVA	
025	83656004	001	COUDE	FITTING, HYDRAULIC, ELBOW	BOGEN	CURVA	
026	83673167	001	RACCORD	FITTING	VERBINDUNG	RACCORDO	
027	83673168	001	RACCORD	FITTING	VERBINDUNG	RACCORDO	
028	A6000080	001	JOINT TORIQUE	SEAL (OR)	DICHTUNG (OR)	GUARNIZIONE (OR)	
029	G0237900	001	POMPE	PUMP	PUMPE	POMPA	
030	G0410150	001	REDUCTION	ADAPTER, REDUCER	REDUZIERUNG	RIDUZIONE	
031	G0553100	001	ENTRETOISE	SPACER	DISTANZHUELSE	DISTANZIALE	
032	G4100540	002	SUPPORT	SUPPORT	TRAEGER	SUPPORTO	
033	G9100040	001	TUYAU	PIPE	ROHR	TUBO	
034	G9100050	001	TUYAU	PIPE	ROHR	TUBO	
035	G9100060	001	TUYAU	PIPE	ROHR	TUBO	
036	G9100910	001	TUYAU	PIPE	ROHR	TUBO	





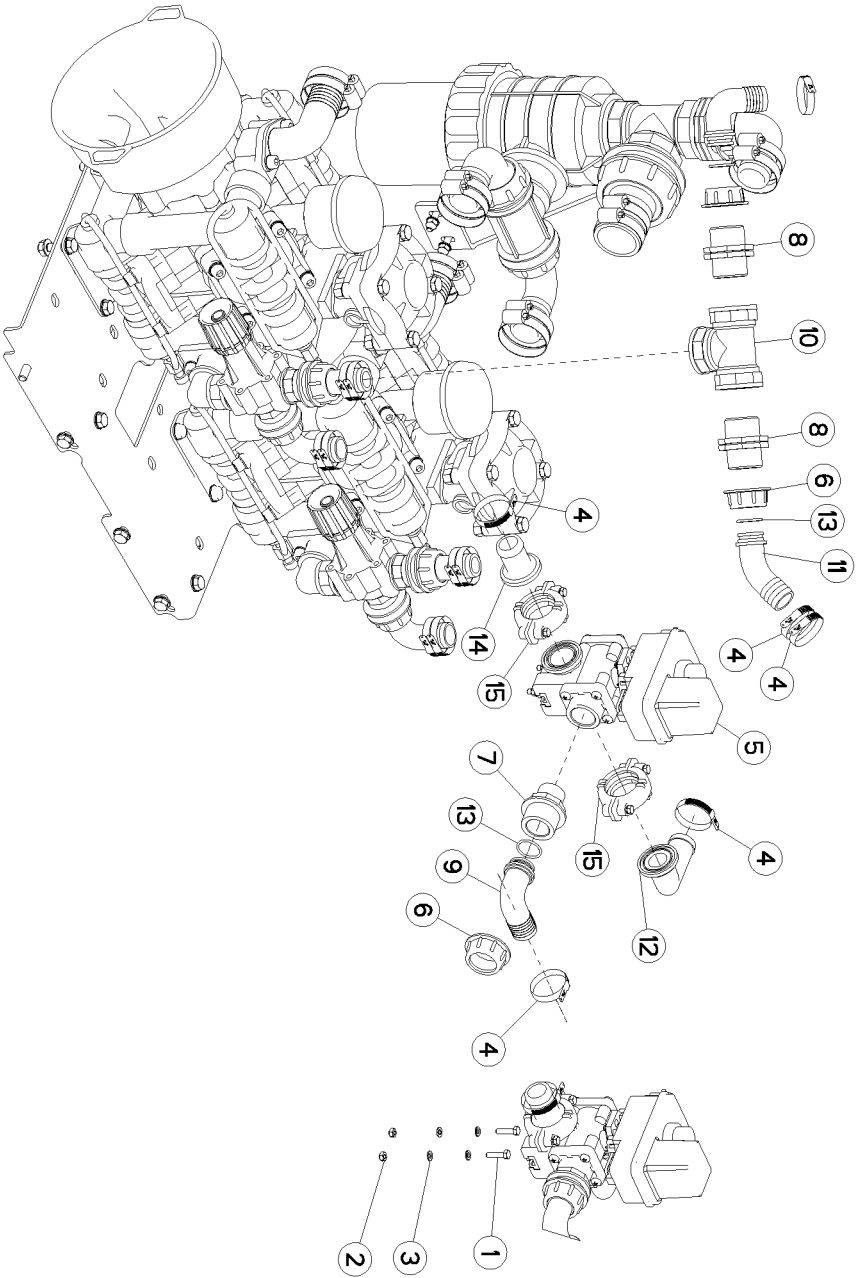
POMPE PC 700L/MIN

PUMP PC 700L/MIN

PUMPE PC 700L/MIN

POMPA PC 700L/MIN

Rep	Nr	Qt	Designation	Description	Bezeichnung	Referenza	Remarque - Remark - Bemerkung - Osservazioni
001	G0237910	001	POCHETTE	KIT, SEAL	TACHE	SACCHE	[1][2]
002	A620953	001	PR.VOYANT 1/2" GAZ 38217	PILOT LAMP	SKALASCHEIBE	VALVOLA	[1][2]
003	G0400910	001	BAGUE	BUSHING	HUELSE	BOCCOLA	[1][2]
004	80598000	002	CIRCLIP INTERIEUR	RETAINING RING	SICHERUNGSRING	ANELLO	[1][2]
005	80201070	009	ECROU HEXAGONAL FE/ZNXC3	NUT FE/ZNXC3	SECHSKANTMUTTER FE/ZNXC3	DADO FE/ZNXC3	[1][2]
006	G0237924	001	VIS DE PRESSION				[1][2]
007	80060820	012	VIS TETE HEXAGONALE FE/ZNXC3	HEXAGON HEAD SCREW FE/ZNXC3	SECHSKANTSCHRAUBE FE/ZNXC3	VITE TESTA ESAGONALE FE/ZNXC3	[1][2]
008	80270803	012	RONDELLE GROWER FE/ZNXC3	SPRING LOCK WASHER FE/ZNXC3	FEDERRING FE/ZNXC3	RONDELLA GROWER FE/ZNXC3	[1][2]
009	G0237922	001	COUVERCLE DE CARTER				[1][2]
010	G0237907	001	RONDELLE DE POUSSEE Ø45X4				[1][2]
011	G0237908	001	RONDELLE DE POUSSEE Ø46X41				[1][2]
012	G0400900	001	ARBRE	SHAFT	WELLE	ALBERO	[1][2]
013	G0237916	001	CLAVETTE 10X8X40				[1][2]
014	81104080	001	ROULEMENT 2 R.BILLES CONT.OBL	ANG.CONT.DOUBLE ROW B.BEARING	2-REIHIGES SCHRAEGKUGELLAGER	CUSCINETTO	[1][2]
015	80584000	001	CIRCLIP EXTERIEUR	RETAINING RING	SICHERUNGSRING	ANELLO	[1][2]
016	81301747	001	ROULEMENT A ROULEAUX CONIQUES				[1][2]
017	A621962	001	PR.PIGNON 15DTS.POMPE A621920	PINION GEAR	ZAHNRAD	PIGNONE 15 DENTI	[1][2]
018	80650517	001	CLAVETTE A	PARALLEL KEY A	PASSFEDER A	CHIAVETTA	[1][2]
019	A621963	001	PR.ROUE 102DTS.POMPE A621920	SPROCKET	RAD	RUOTA 102 DENTI	[1][2]
020	80583500	001	CIRCLIP EXTERIEUR	RETAINING RING	SICHERUNGSRING	ANELLO	[1][2]
021	81003061	001	ROULEMENT A BILLES	BALL BEARING	KUGELLAGER	CUSCINETTO A SFERE	[1][2]
022	80583000	001	CIRCLIP EXTERIEUR	RETAINING RING	SICHERUNGSRING	ANELLO	[1][2]
023	81302562	001	ROULEMENT A ROULEAUX CONIQUES	TAPERED ROLLER BEARING	KEGELROLLENLAGER	CUSCINETTO A RULLO	[1][2]
024	G0237940	001	BAGUE D'ETANCHEITE	SEAL, OIL	RADIALDICHRING	PARAOILIO	[1][2]
025	80271003	012	RONDELLE GROWER FE/ZNXC3	SPRING LOCK WASHER FE/ZNXC3	FEDERRING FE/ZNXC3	RONDELLA GROWER FE/ZNXC3	[1][2]
026	83604000	001	BOUCHON RENIFLARD RENSON		ENTLUEFTUNGSSCHRAUBE		[1][2]
027	G0237914	001	BOUCHON 3/8				[1][2]
028	G0237915	001	JOINT D.23X18X2				[1][2]
029	80061026	004	VIS TETE HEXAGONALE FE/ZNXC3	HEXAGON HEAD SCREW FE/ZNXC3	SECHSKANTSCHRAUBE FE/ZNXC3	VITE TESTA ESAGONALE FE/ZNXC3	[1][2]
030	G0237927	001	LARMIER D.40X20X4				[2]
031	A620955	001	FLASQUE DE CARTER 180 385088	FLANGE	FLANSCH	FLANGIA	[2]
032	G0237930	001	SIEGE	SEAT	SITZ	SEDILE	[2]
033	G0237920	001	OBTURATEUR	COVER, PLUG	VERSCHLUSS	OTTURATORE	[2]
034	G0404501	001	JOINT TORIQUE	O-RING	O-RING	GUARNIZIONE	[2]
035	G0404530	001	ROUE	WHEEL AND TIRE ASSEMBLY	RAD	RUOTA	[2]
036	80110825	004	VIS TETE FRAI.SIX P.CRE.INOX	HEX.SOCK.COUNT.HEAD SCREW INOX	SENKNSCHRAUB.INNENSECHSK.INOX	VITE INOX	[2]
037	G0404500	001	FLASQUE	FLANGE	FLANSCH	FLANGIA	[2]
038	B0000119	001	JOINT	SEAL	DICHTUNG	GUARNIZIONE	[2]
039	80201231	001	ECROU HEXAG.AUTOFREINE INOX	SELF-LOCKING NUT INOX	SELBSTSICHERNDE MUTTER INOX	DADO AUTOBLOCCANTE INOX	[2]
040	G0237925	002	TIGE FILTEE M10X115				[2]
041	G0237905	002	BOUCHON DE VIDANGE 1"				[2]
042	G0237900	001	POMPE	PUMP	PUMPE	POMPA	[2]
043	G0237950	001	MULTIPLICATEUR	GEARCASE, INCREASER	ÜBERSETZUNGSGETRIEBE	MOLTIPLICATORE	[2]
044	G0237912	001	CARTER	HOUSING	GEHAEUSE	SCATOLA	[1][2]



G40R0291 B



METRIS

G40R0291 B

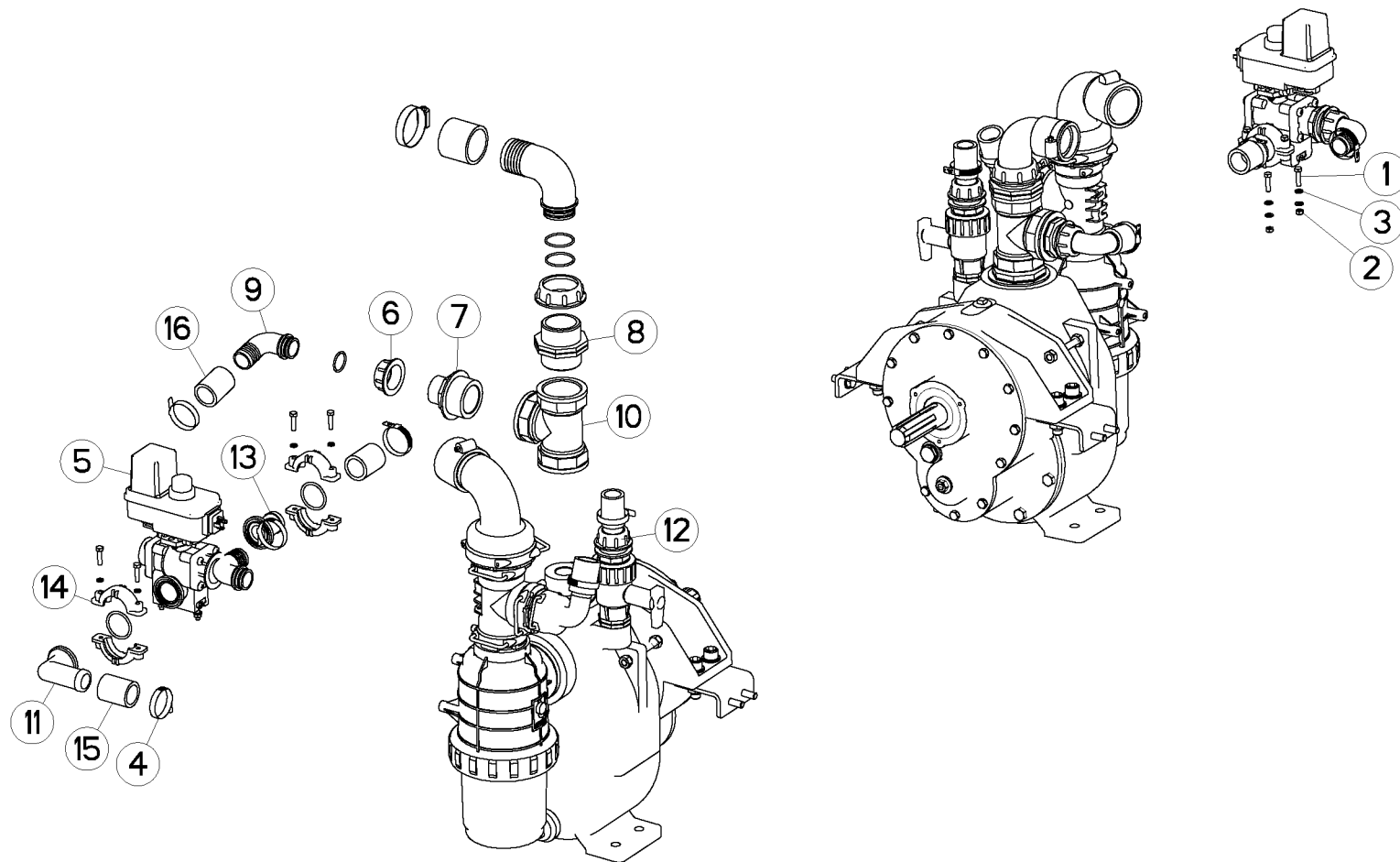
GYROLAVEUR PM320 ELECTRICITE

GYROCLEANER PM320 ELECTRICITY

ROTATIONS-REINIGUNGSDUESE PM32

UGELLI ROTANTI SERBATOIO PM32

Rep	Nr	Qt	Designation	Description	Bezeichnung	Referenza	Remarque - Remark - Bemerkung - Osservazioni
001	80060626	002	VIS TETE HEXAGONALE INOX	HEXAGON HEAD SCREW INOX	SECHSKANTSCHRAUBE INOX	VITE A TESTA ESAGONALE INOX	
002	80200631	002	ECROU HEX.BAS AUTOFR.INOX	SELF-LOCKING NUT INOX	SELBSTSICHERNDE MUTTER INOX	DADO AUTOBLOCCANTE INOX	
003	80250601	004	RONDELLE PLATE INOX A2	PLAIN WASHER INOX A2	SCHEIBE INOX A2	RONDELLA PIATTALA INOX A2	
004	83090181	005	COLLIER	CLAMP, HOSE	SCHLAUCHSCHELLE	COLLARE	
005	83610043	001	VANNE	VALVE, SHUT-OFF	SCHIEBER	SARACINESCA	
006	83634011	002	ECROU	NUT	MUTTER	DADO	
007	83654022	001	REDUCTION	ADAPTER, REDUCER	REDUZIERUNG	RIDUZIONE	
008	83654042	002	MAMELON	UNION	VERBINDUNGSTUCK	RACCORDO	
009	83655025	001	RACCORD	FITTING	VERBINDUNG	RACCORDO	
010	83655098	001	RACCORD	FITTING	VERBINDUNG	RACCORDO	
011	83673062	001	RACCORD	FITTING	VERBINDUNG	RACCORDO	
012	83673127	001	RACCORD	FITTING	VERBINDUNG	RACCORDO	
013	A6000080	002	JOINT TORIQUE	SEAL (OR)	DICHTUNG (OR)	GUARNIZIONE (OR)	
014	G0542710	001	RACCORD	FITTING	VERBINDUNG	RACCORDO	
015	G0542720	002	BRIDE	CLAMP	BUEGEL	STAFFA	





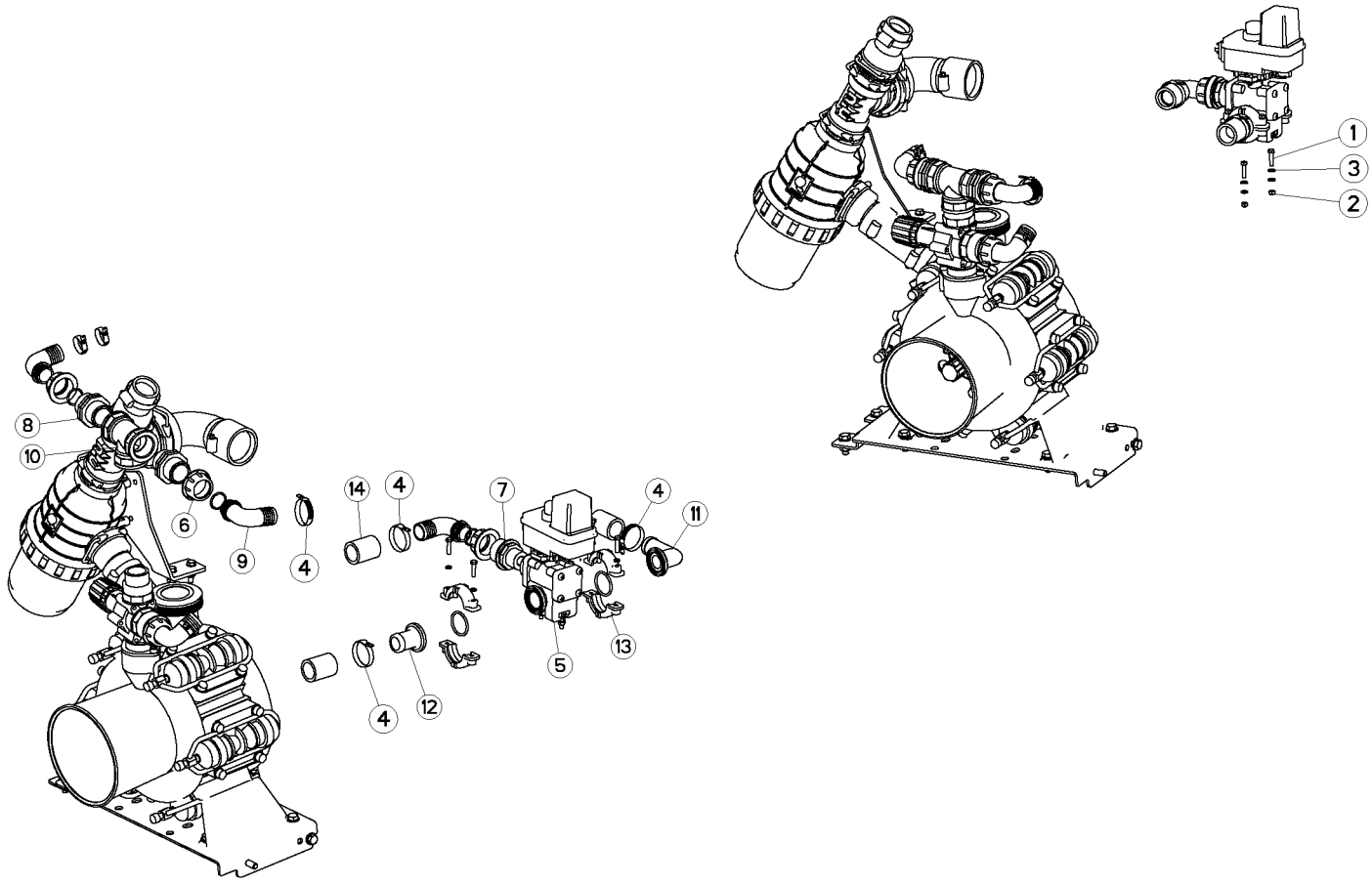
GYROLAVEUR PC700 ELECTRIQUE

GYROCLEANER PC700 ELECTRIQUE

ROTATIONS-REINIGUNGSDUESE PC70

UGELLI ROTANTI SERBATOIO PC700

Rep	Nr	Qt	Designation	Description	Bezeichnung	Referenza	Remarque - Remark - Bemerkung - Osservazioni
001	80060626	002	VIS TETE HEXAGONALE INOX	HEXAGON HEAD SCREW INOX	SECHSKANTSCHRAUBE INOX	VITE A TESTA ESAGONALE INOX	
002	80200631	002	ECROU HEX.BAS AUTOFR.INOX	SELF-LOCKING NUT INOX	SELBSTSICHERNDE MUTTER INOX	DADO AUTOBLOCCANTE INOX	
003	80250601	004	RONDELLE PLATE INOX A2	PLAIN WASHER INOX A2	SCHEIBE INOX A2	RONDELLA PIATTALA INOX A2	
004	83090181	004	COLLIER	CLAMP, HOSE	SCHLAUCHSCHELLE	COLLARE	
005	83610043	001	VANNE	VALVE, SHUT-OFF	SCHIEBER	SARACINESCA	
006	83634011	003	ECROU	NUT	MUTTER	DADO	
007	83654028	001	REDUCTION	ADAPTER, REDUCER	REDUZIERUNG	RIDUZIONE	
008	83654043	001	MAMELON	UNION	VERBINDUNGSTUCK	NIPPLO	
009	83655025	002	RACCORD	FITTING	VERBINDUNG	RACCORDO	
010	83655101	001	RACCORD	FITTING	VERBINDUNG	RACCORDO	
011	83673127	001	RACCORD	FITTING	VERBINDUNG	RACCORDO	
012	A6000080	001	JOINT TORIQUE	SEAL (OR)	DICHTUNG (OR)	GUARNIZIONE (OR)	
013	G0542710	001	RACCORD	FITTING	VERBINDUNG	RACCORDO	
014	G0542720	002	BRIDE	CLAMP	BUEGEL	STAFFA	
015	G9101400	002	TUYAU	PIPE	ROHR	TUBO	Ø 30 <->460
016	G9101410	001	TUYAU	PIPE	ROHR	TUBO	Ø 30 <->260





METRIS

G40R0292 A

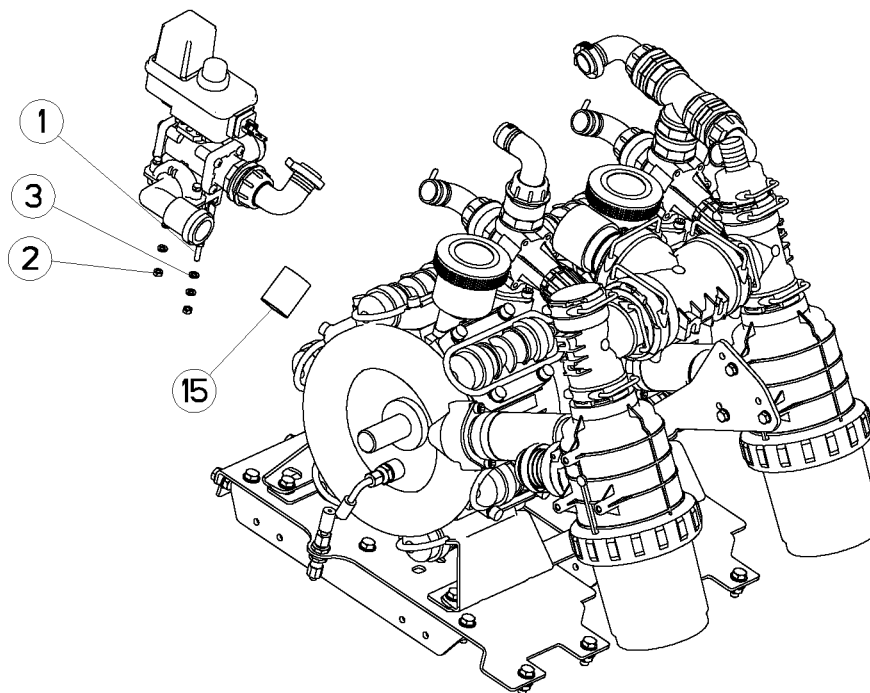
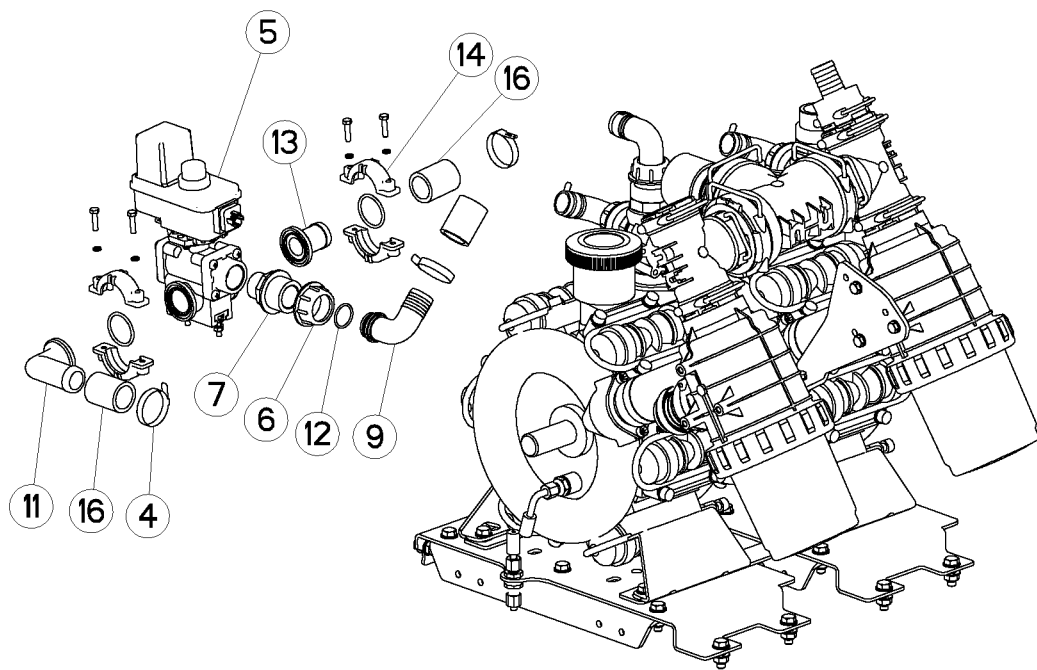
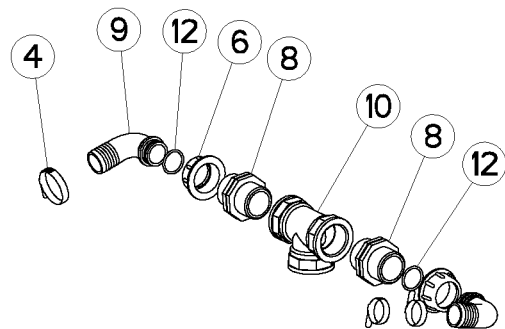
GYROLAVEUR PM265 ELECTRIQUE

GYROCLEANER PM265 ELECTRIQUE

ROTATIONS-REINIGUNGSDUESE PM26

UGELLI ROTANTI SERBATOIO PM26

Rep	Nr	Qt	Designation	Description	Bezeichnung	Referenza	Remarque - Remark - Bemerkung - Osservazioni
001	80060626	002	VIS TETE HEXAGONALE INOX	HEXAGON HEAD SCREW INOX	SECHSKANTSCHRAUBE INOX	VITE A TESTA ESAGONALE INOX	
002	80200631	002	ECROU HEX.BAS AUTOFR.INOX	SELF-LOCKING NUT INOX	SELBSTSICHERNDE MUTTER INOX	DADO AUTOBLOCCANTE INOX	
003	80250601	004	RONDELLE PLATE INOX A2	PLAIN WASHER INOX A2	SCHEIBE INOX A2	RONDELLA PIATTALA INOX A2	
004	83090181	004	COLLIER	CLAMP, HOSE	SCHLAUCHSCHELLE	COLLARE	
005	83610043	001	VANNE	VALVE, SHUT-OFF	SCHIEBER	SARACINESCA	
006	83634011	002	ECROU	NUT	MUTTER	DADO	
007	83654022	001	REDUCTION	ADAPTER, REDUCER	REDUZIERUNG	RIDUZIONE	
008	83654042	002	MAMELON	UNION	VERBINDUNGSTUCK	RACCORDO	
009	83655025	002	RACCORD	FITTING	VERBINDUNG	RACCORDO	
010	83655098	001	RACCORD	FITTING	VERBINDUNG	RACCORDO	
011	83673127	001	RACCORD	FITTING	VERBINDUNG	RACCORDO	
012	G0542710	001	RACCORD	FITTING	VERBINDUNG	RACCORDO	
013	G0542720	002	BRIDE	CLAMP	BUEGEL	STAFFA	
014	G9101390	001	TUYAU	PIPE	ROHR	TUBO	Ø 30 <->700





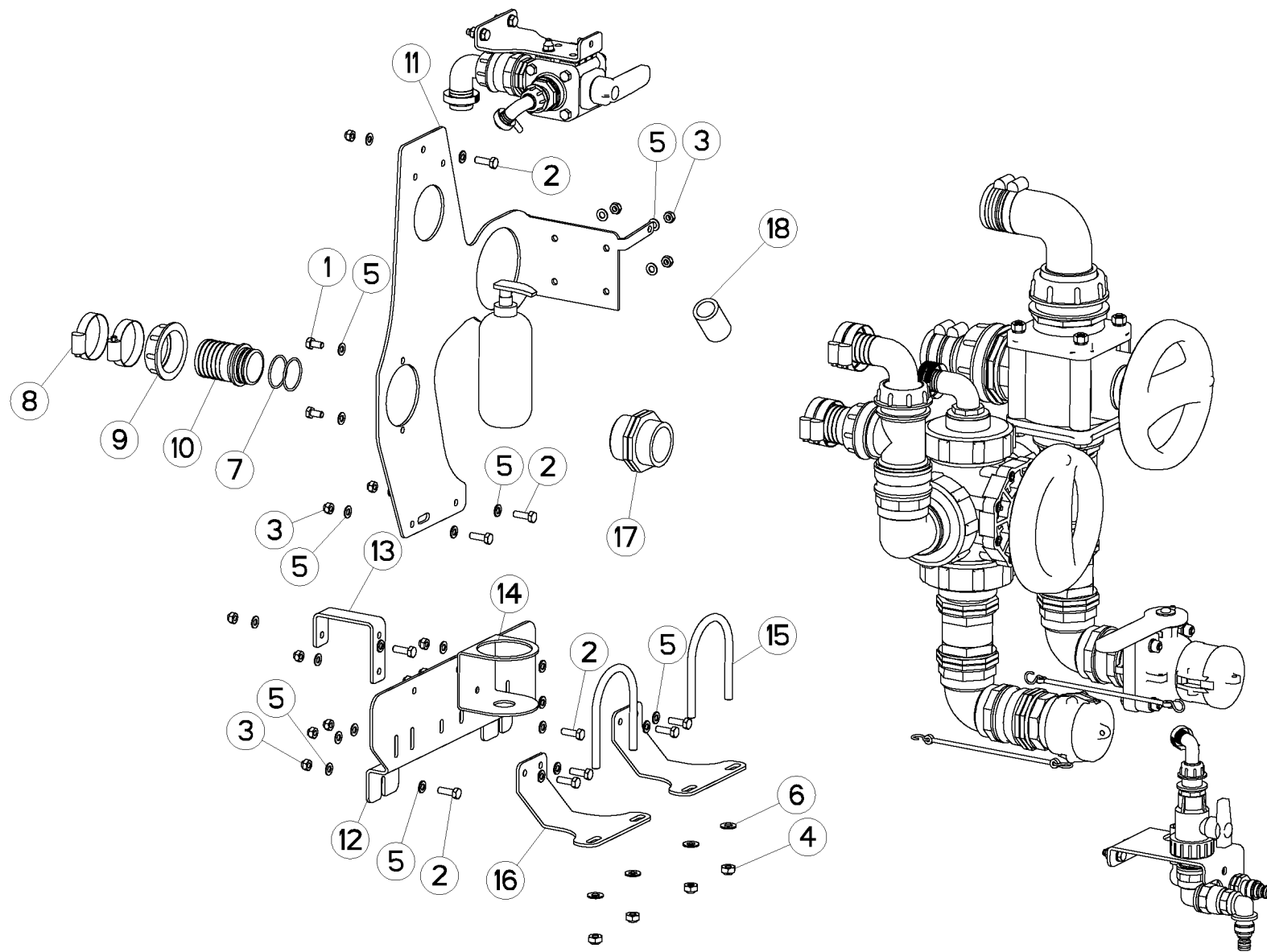
GYROLAVEUR PM500 ELECTRIQUE

GYROCLEANER PM500 ELECTRIQUE

ROTATIONS-REINIGUNGSDUESE PM50

UGELLI ROTANTI SERBATOIO PM50

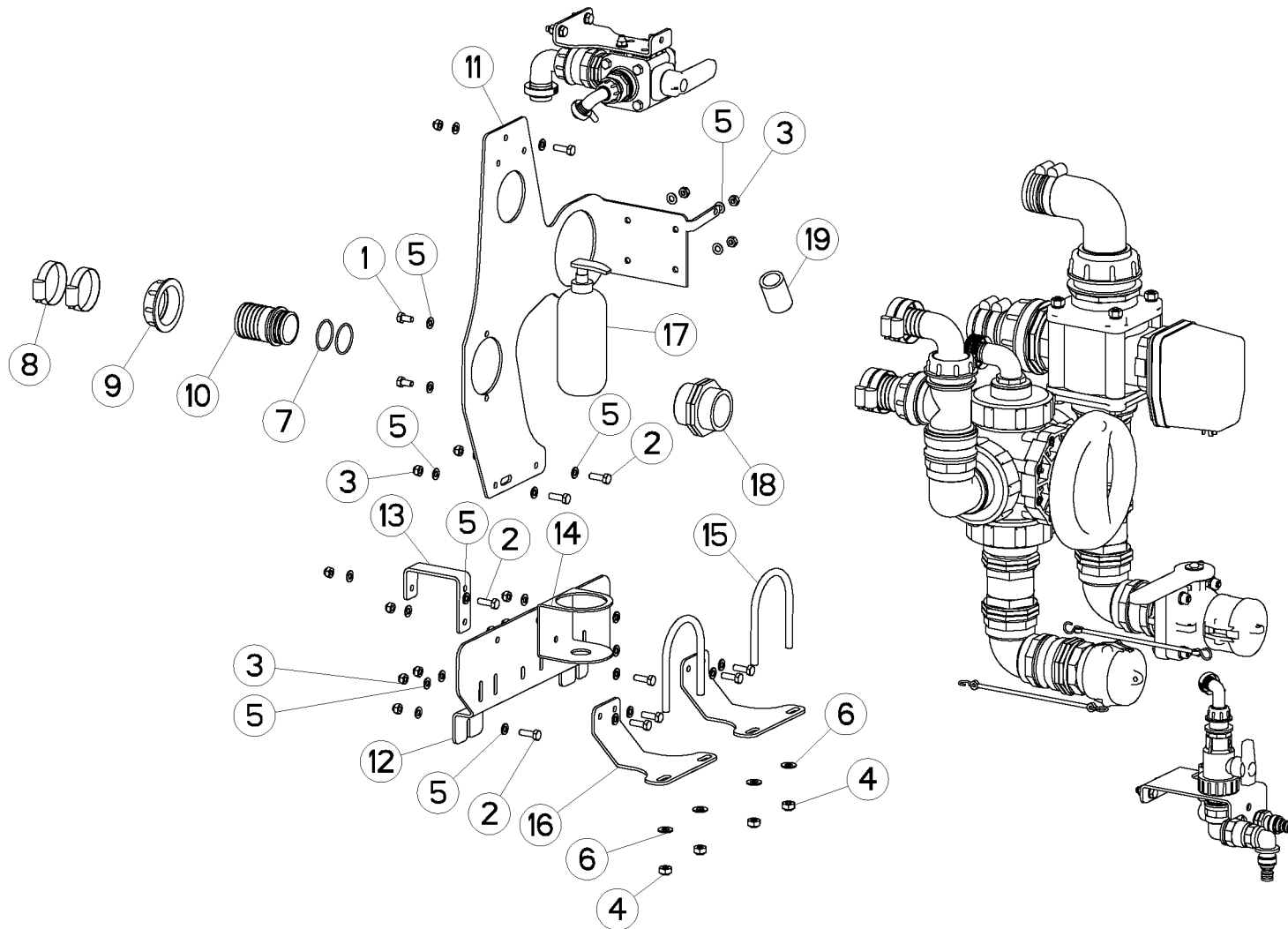
Rep	Nr	Qt	Designation	Description	Bezeichnung	Referenza	Remarque - Remark - Bemerkung - Osservazioni
001	80060626	002	VIS TETE HEXAGONALE INOX	HEXAGON HEAD SCREW INOX	SECHSKANTSCHRAUBE INOX	VITE A TESTA ESAGONALE INOX	
002	80200631	002	ECROU HEX.BAS AUTOFR.INOX	SELF-LOCKING NUT INOX	SELBSTSICHERNDE MUTTER INOX	DADO AUTOBLOCCANTE INOX	
003	80250601	004	RONDELLE PLATE INOX A2	PLAIN WASHER INOX A2	SCHEIBE INOX A2	RONDELLA PIATTALA INOX A2	
004	83090181	004	COLLIER	CLAMP, HOSE	SCHLAUCHSCHELLE	COLLARE	
005	83610043	001	VANNE	VALVE, SHUT-OFF	SCHIEBER	SARACINESCA	
006	83634011	002	ECROU	NUT	MUTTER	DADO	
007	83654022	001	REDUCTION	ADAPTER, REDUCER	REDUZIERUNG	RIDUZIONE	
008	83654042	002	MAMELON	UNION	VERBINDUNGSTUCK	RACCORDO	
009	83655025	002	RACCORD	FITTING	VERBINDUNG	RACCORDO	
010	83655098	001	RACCORD	FITTING	VERBINDUNG	RACCORDO	
011	83673127	001	RACCORD	FITTING	VERBINDUNG	RACCORDO	
012	A6000080	006	JOINT TORIQUE	SEAL (OR)	DICHTUNG (OR)	GUARNIZIONE (OR)	
013	G0542710	001	RACCORD	FITTING	VERBINDUNG	RACCORDO	
014	G0542720	002	BRIDE	CLAMP	BUEGEL	STAFFA	
015	G9101390	001	TUYAU	PIPE	ROHR	TUBO	Ø 30 <->700
016	G9101400	002	TUYAU	PIPE	ROHR	TUBO	Ø 30 <->460





BLOC VANNES 3VMANU+5VMANU2"PC7 VALVE BLOCK 3VMANU+5VMANU2"PC7 VENTILBLOCK 3VMANU+5VMANU2"PC7 BLOCCO VALVOLE 3VMANU+5VMANU2"PC7

Rep	Nr	Qt	Designation	Description	Bezeichnung	Referenza	Remarque - Remark - Bemerkung - Osservazioni
001	80060817	002	VIS TETE HEXAGONALE INOX	HEXAGON HEAD SCREW INOX	SECHSKANTSCHRAUBE INOX	VITE A TESTA ESAGONALE INOX	
002	80060828	010	VIS TETE HEXAGONALE INOX	HEXAGON HEAD SCREW INOX	SECHSKANTSCHRAUBE INOX	VITE A TESTA ESAGONALE INOX	
003	80200831	018	ECROU HEXAG.AUTOFREINE INOX	SELF-LOCKING NUT INOX	SELBSTSICHERNDE MUTTER INOX	DADO AUTOBLOCCANTE INOX	
004	80201049	004	ECROU HEX.BAS AUTOFR.INOX	SELF-LOCKING NUT INOX	SELBSTSICHERNDE MUTTER INOX	DADO AUTOBLOCCANTE INOX	
005	80250800	032	RONDELLE PLATE INOX A2	PLAIN WASHER INOX A2	SCHEIBE INOX A2	RONDELLA PIATTALA INOX A2	
006	80251005	004	RONDELLE PLATE INOX A2	PLAIN WASHER INOX A2	SCHEIBE INOX A2	RONDELLA PIATTALA INOX A2	
007	82063941	002	JOINT TORIQUE VITON VERT	O-RING	O-RING	GUARNIZIONE	
008	83090177	002	COLLIER VIS SANS FIN INOX	CLAMP, HOSE	SCHLAUCHSCHELLE	COLLARE	
009	83634012	001	ECROU	NUT	MUTTER	DADO	
010	83673165	001	RACCORD	FITTING	VERBINDUNG	RACCORDO	
011	G4102140	001	SUPPORT	SUPPORT	TRAEGER	SUPPORTO	
012	G4102150	001	SUPPORT	SUPPORT	TRAEGER	SUPPORTO	
013	G4102670	001	TOLE	SHEET	BLECH	TELA	
014	G4102680	001	SUPPORT	SUPPORT	TRAEGER	SUPPORTO	
015	G4102710	002	ETRIER	U-BOLT	BUEGEL	CAVALLOTTO	
016	G4103960	002	SUPPORT	SUPPORT	TRAEGER	SUPPORTO	
017	G9000570	001	MAMELON	UNION	VERBINDUNGSTUCK		
018	G9100060	001	TUYAU	PIPE	ROHR	TUBO	



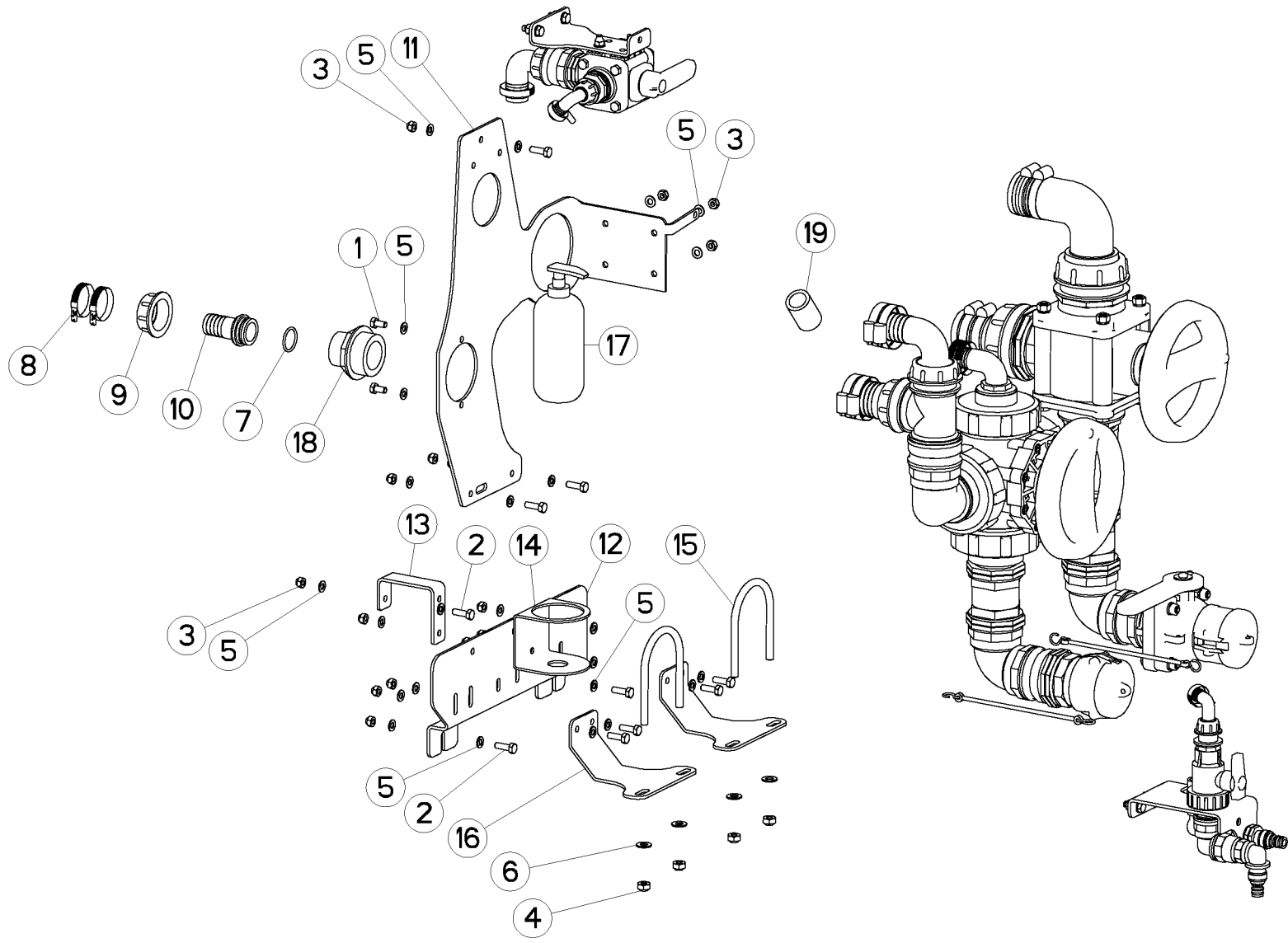


METRIS

G40R0222 C

BLOC VANNES 3VELEC+5VMANU2"PC7 VALVE BLOCK 3VELEC+5VMANU2"PC7 VENTILBLOCK 3VELEC+5VMANU2"PC7 BLOCCO VALVOLE 3VELEC+5VMAN

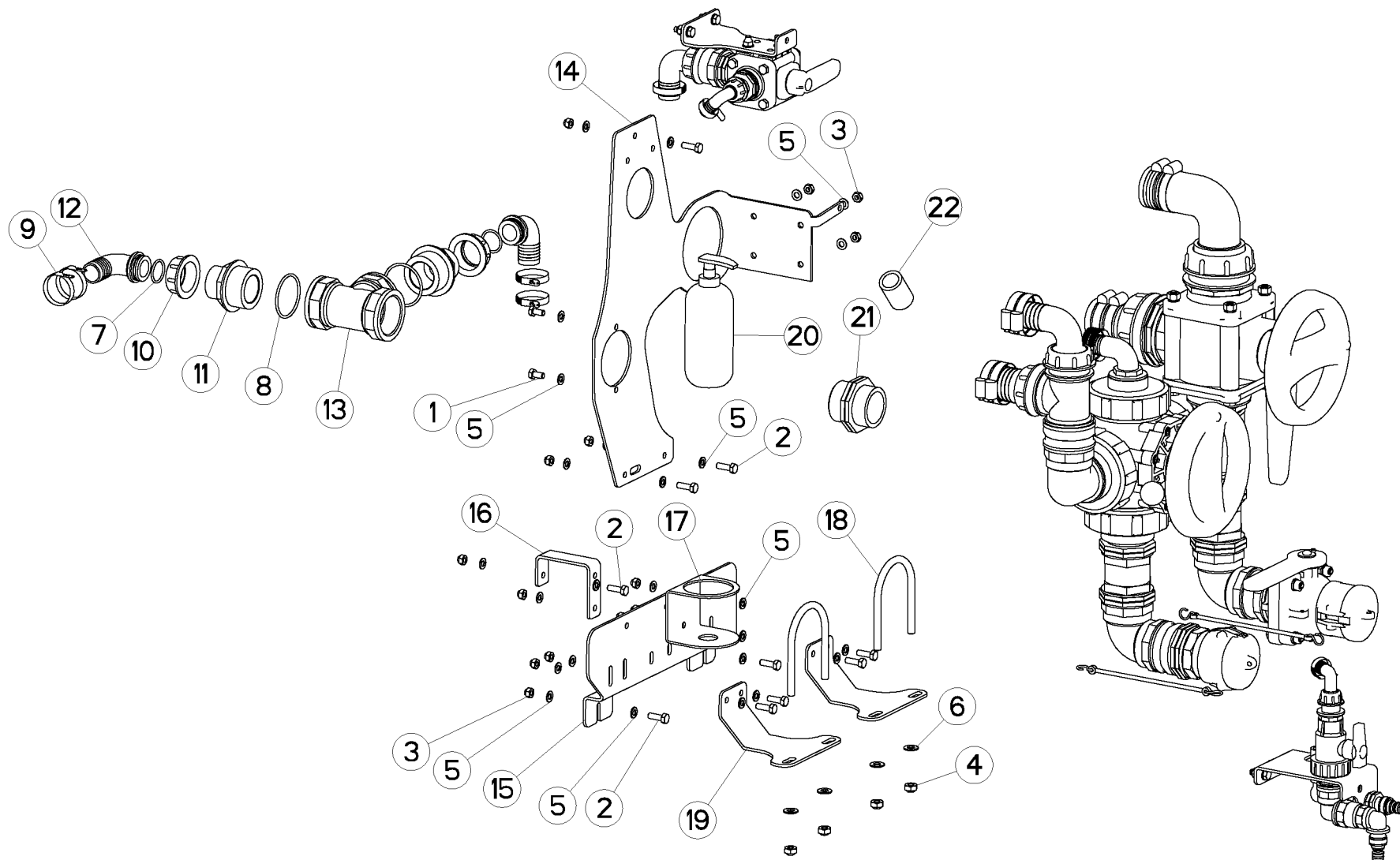
Rep	Nr	Qt	Designation	Description	Bezeichnung	Referenza	Remarque - Remark - Bemerkung - Osservazioni
001	80060817	002	VIS TETE HEXAGONALE INOX	HEXAGON HEAD SCREW INOX	SECHSKANTSCHRAUBE INOX	VITE A TESTA ESAGONALE INOX	
002	80060828	010	VIS TETE HEXAGONALE INOX	HEXAGON HEAD SCREW INOX	SECHSKANTSCHRAUBE INOX	VITE A TESTA ESAGONALE INOX	
003	80200831	018	ECROU HEXAG.AUTOFREINE INOX	SELF-LOCKING NUT INOX	SELBSTSICHERNDE MUTTER INOX	DADO AUTOBLOCCANTE INOX	
004	80201049	004	ECROU HEX.BAS AUTOFR.INOX	SELF-LOCKING NUT INOX	SELBSTSICHERNDE MUTTER INOX	DADO AUTOBLOCCANTE INOX	
005	80250800	032	RONDELLE PLATE INOX A2	PLAIN WASHER INOX A2	SCHEIBE INOX A2	RONDELLA PIATTALA INOX A2	
006	80251005	004	RONDELLE PLATE INOX A2	PLAIN WASHER INOX A2	SCHEIBE INOX A2	RONDELLA PIATTALA INOX A2	
007	82063941	002	JOINT TORIQUE VITON VERT	O-RING	O-RING	GUARNIZIONE	
008	83090177	002	COLLIER VIS SANS FIN INOX	CLAMP, HOSE	SCHLAUCHSCHELLE	COLLARE	
009	83634012	001	ECROU	NUT	MUTTER	DADO	
010	83673165	001	RACCORD	FITTING	VERBINDUNG	RACCORDO	
011	G4102140	001	SUPPORT	SUPPORT	TRAEGER	SUPPORTO	
012	G4102150	001	SUPPORT	SUPPORT	TRAEGER	SUPPORTO	
013	G4102670	001	TOLE	SHEET	BLECH	TELA	
014	G4102680	001	SUPPORT	SUPPORT	TRAEGER	SUPPORTO	
015	G4102710	002	ETRIER	U-BOLT	BUEGEL	CAVALLOTTO	
016	G4103960	002	SUPPORT	SUPPORT	TRAEGER	SUPPORTO	
017	G9000430	001	RESERVOIR	RESERVOIR	TANK	SERBATOIO	
018	G9000570	001	MAMELON	UNION	VERBINDUNGSTUCK		
019	G9100060	001	TUYAU	PIPE	ROHR	TUBO	





BLOC VANNES 3VMANU+5VMANU2"PM2 VALVE BLOCK 3VMANU+5VMANU2"PM2 VENTILBLOCK 3VMANU+5VMANU2"PM2 BLOCCO VALVOLE 3VMANU+5VMANU2"PM2

Rep	Nr	Qt	Designation	Description	Bezeichnung	Referenza	Remarque - Remark - Bemerkung - Osservazioni
001	80060817	002	VIS TETE HEXAGONALE INOX	HEXAGON HEAD SCREW INOX	SECHSKANTSCHRAUBE INOX	VITE A TESTA ESAGONALE INOX	
002	80060828	010	VIS TETE HEXAGONALE INOX	HEXAGON HEAD SCREW INOX	SECHSKANTSCHRAUBE INOX	VITE A TESTA ESAGONALE INOX	
003	80200831	016	ECROU HEXAG.AUTOFREINE INOX	SELF-LOCKING NUT INOX	SELBSTSICHERNDE MUTTER INOX	DADO AUTOBLOCCANTE INOX	
004	80201049	004	ECROU HEX.BAS AUTOFR.INOX	SELF-LOCKING NUT INOX	SELBSTSICHERNDE MUTTER INOX	DADO AUTOBLOCCANTE INOX	
005	80250800	030	RONDELLE PLATE INOX A2	PLAIN WASHER INOX A2	SCHEIBE INOX A2	RONDELLA PIATTALA INOX A2	
006	80251005	004	RONDELLE PLATE INOX A2	PLAIN WASHER INOX A2	SCHEIBE INOX A2	RONDELLA PIATTALA INOX A2	
007	82062935	001	JOINT TORIQUE	O-RING	O-RING	GUARNIZIONE	
008	83090181	002	COLLIER	CLAMP, HOSE	SCHLAUCHSCHELLE	COLLARE	
009	83634005	001	ECROU	NUT	MUTTER	DADO	
010	83655006	001	RACCORD	FITTING	VERBINDUNG	RACCORDO	
011	G4102140	001	SUPPORT	SUPPORT	TRAEGER	SUPPORTO	
012	G4102150	001	SUPPORT	SUPPORT	TRAEGER	SUPPORTO	
013	G4102670	001	TOLE	SHEET	BLECH	TELA	
014	G4102680	001	SUPPORT	SUPPORT	TRAEGER	SUPPORTO	
015	G4102710	002	ETRIER	U-BOLT	BUEGEL	CAVALLOTTO	
016	G4103960	002	SUPPORT	SUPPORT	TRAEGER	SUPPORTO	
017	G9000430	001	RESERVOIR	RESERVOIR	TANK	SERBATOIO	
018	G9001710	001	REDUCTION	ADAPTER, REDUCER	REDUZIERUNG	RIDUZIONE	
019	G9100060	001	TUYAU	PIPE	ROHR	TUBO	



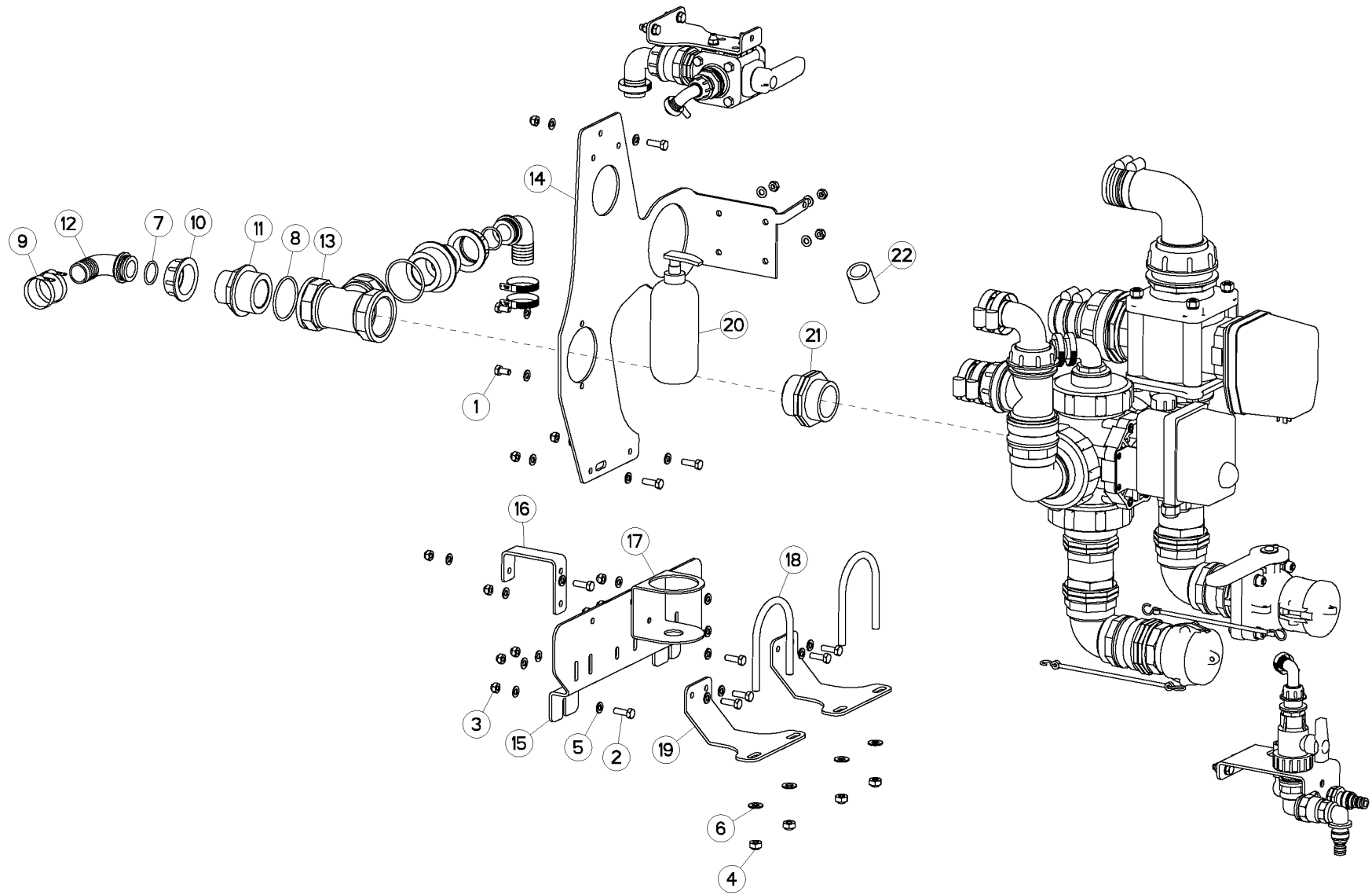


METRIS

G40R0218 B

BLOC VANNES 3VMANU+5VMANU2"PM3 VALVE BLOCK 3VMANU+5VMANU2"PM3 VENTILBLOCK 3VMANU+5VMANU2"PM3 BLOCCO VALVOLE 3VMANU+5VMANU2"PM3

Rep	Nr	Qt	Designation	Description	Bezeichnung	Referenza	Remarque - Remark - Bemerkung - Osservazioni
001	80060817	002	VIS TETE HEXAGONALE INOX	HEXAGON HEAD SCREW INOX	SECHSKANTSCHRAUBE INOX	VITE A TESTA ESAGONALE INOX	
002	80060828	010	VIS TETE HEXAGONALE INOX	HEXAGON HEAD SCREW INOX	SECHSKANTSCHRAUBE INOX	VITE A TESTA ESAGONALE INOX	
003	80200831	016	ECROU HEXAG.AUTOFREINE INOX	SELF-LOCKING NUT INOX	SELBSTSICHERNDE MUTTER INOX	DADO AUTOBLOCCANTE INOX	
004	80201049	004	ECROU HEX.BAS AUTOFR.INOX	SELF-LOCKING NUT INOX	SELBSTSICHERNDE MUTTER INOX	DADO AUTOBLOCCANTE INOX	
005	80250800	030	RONDELLE PLATE INOX A2	PLAIN WASHER INOX A2	SCHEIBE INOX A2	RONDELLA PIATTALA INOX A2	
006	80251005	004	RONDELLE PLATE INOX A2	PLAIN WASHER INOX A2	SCHEIBE INOX A2	RONDELLA PIATTALA INOX A2	
007	82062935	002	JOINT TORIQUE	O-RING	O-RING	GUARNIZIONE	
008	82065835	002	JOINT TORIQUE VITON VERT	O-RING	O-RING	GUARNIZIONE	
009	83090181	004	COLLIER	CLAMP, HOSE	SCHLAUCHSCHELLE	COLLARE	
010	83634005	002	ECROU	NUT	MUTTER	DADO	
011	83654026	002	REDUCTION	ADAPTER, REDUCER	REDUZIERUNG	RIDUZIONE	
012	83655005	002	RACCORD	FITTING	VERBINDUNG	RACCORDO	
013	83655101	001	RACCORD	FITTING	VERBINDUNG	RACCORDO	
014	G4102140	001	SUPPORT	SUPPORT	TRAEGER	SUPPORTO	
015	G4102150	001	SUPPORT	SUPPORT	TRAEGER	SUPPORTO	
016	G4102670	001	TOLE	SHEET	BLECH	TELA	
017	G4102680	001	SUPPORT	SUPPORT	TRAEGER	SUPPORTO	
018	G4102710	002	ETRIER	U-BOLT	BUEGEL	CAVALLOTTO	
019	G4103960	002	SUPPORT	SUPPORT	TRAEGER	SUPPORTO	
020	G9000430	001	RESERVOIR	RESERVOIR	TANK	SERBATOIO	
021	G9000570	001	MAMELON	UNION	VERBINDUNGSTUCK		
022	G9100060	001	TUYAU	PIPE	ROHR	TUBO	



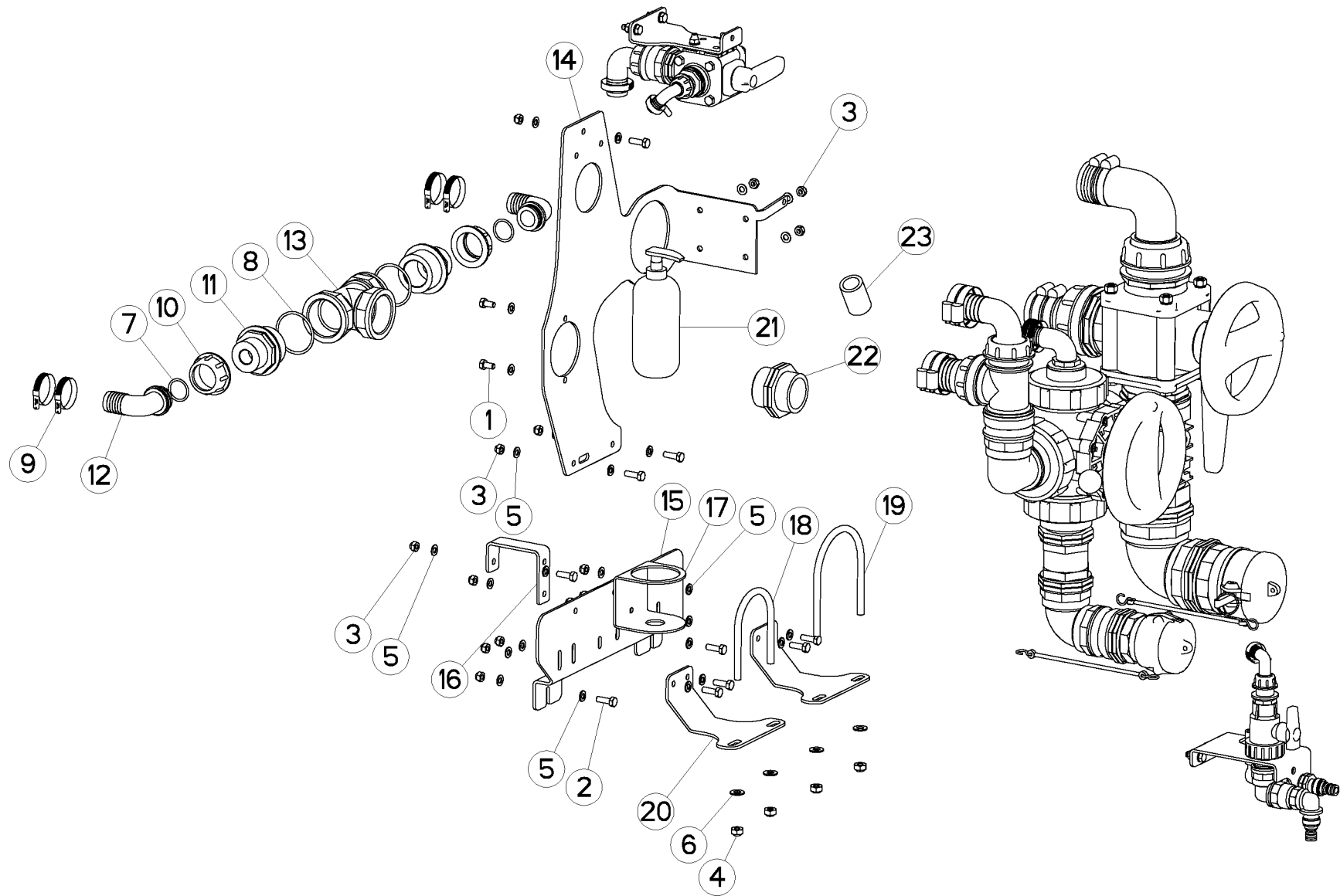


METRIS

G40R0220 B

BLOC VANNES 3VELEC+5VMANU2"PM3 VALVE BLOCK 3VELEC+5VMANU2"PM3 VENTILBLOCK 3VELEC+5VMANU2"PM3 BLOCCO VALVOLE 3VELEC+5VMAN

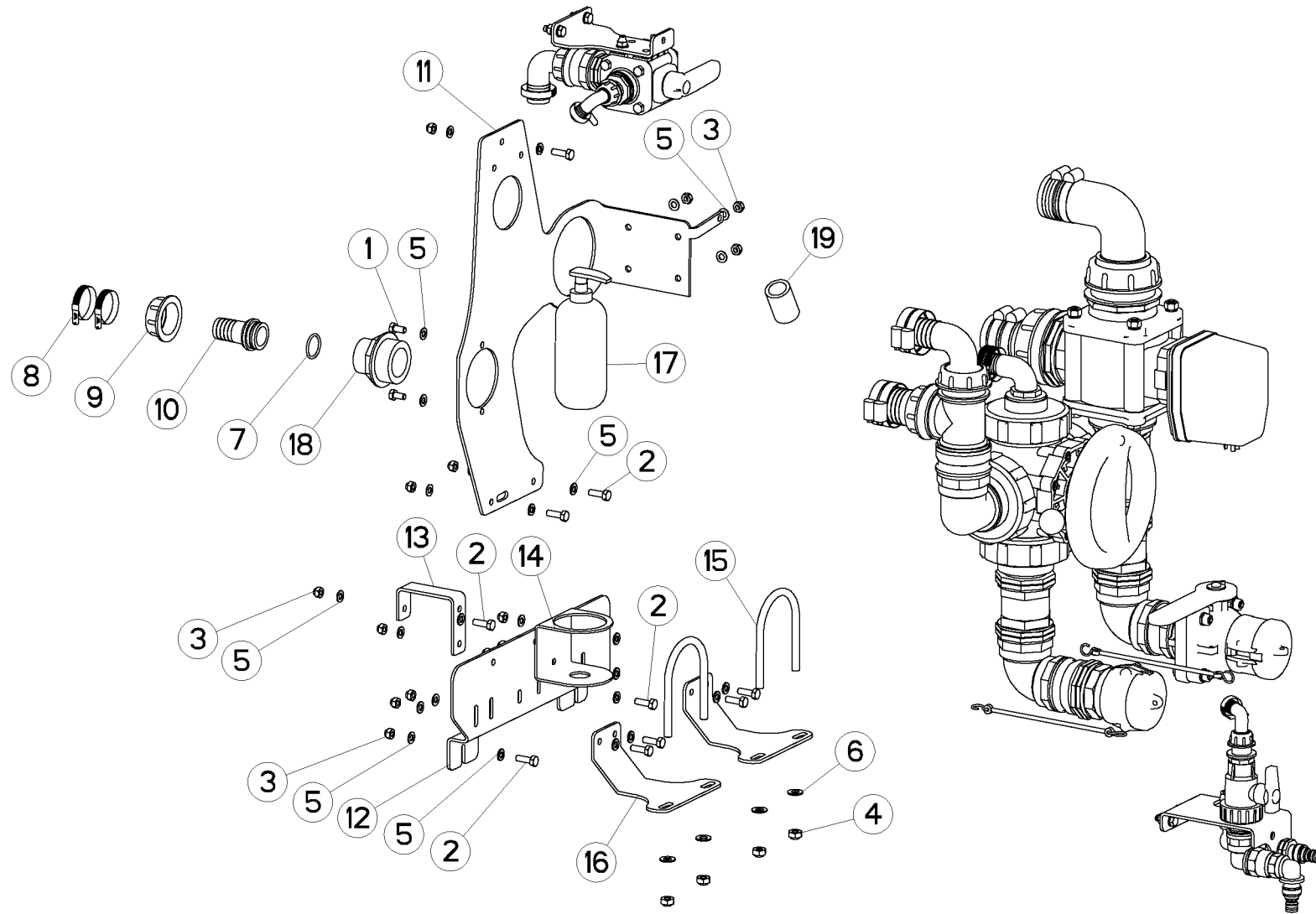
Rep	Nr	Qt	Designation	Description	Bezeichnung	Referenza	Remarque - Remark - Bemerkung - Osservazioni
001	80060817	002	VIS TETE HEXAGONALE INOX	HEXAGON HEAD SCREW INOX	SECHSKANTSCHRAUBE INOX	VITE A TESTA ESAGONALE INOX	
002	80060828	010	VIS TETE HEXAGONALE INOX	HEXAGON HEAD SCREW INOX	SECHSKANTSCHRAUBE INOX	VITE A TESTA ESAGONALE INOX	
003	80200831	016	ECROU HEXAG.AUTOFREINE INOX	SELF-LOCKING NUT INOX	SELBSTSICHERNDE MUTTER INOX	DADO AUTOBLOCCANTE INOX	
004	80201049	004	ECROU HEX.BAS AUTOFR.INOX	SELF-LOCKING NUT INOX	SELBSTSICHERNDE MUTTER INOX	DADO AUTOBLOCCANTE INOX	
005	80250800	030	RONDELLE PLATE INOX A2	PLAIN WASHER INOX A2	SCHEIBE INOX A2	RONDELLA PIATTALA INOX A2	
006	80251005	004	RONDELLE PLATE INOX A2	PLAIN WASHER INOX A2	SCHEIBE INOX A2	RONDELLA PIATTALA INOX A2	
007	82062935	002	JOINT TORIQUE	O-RING	O-RING	GUARNIZIONE	
008	82065835	002	JOINT TORIQUE VITON VERT	O-RING	O-RING	GUARNIZIONE	
009	83090181	004	COLLIER	CLAMP, HOSE	SCHLAUCHSCHELLE	COLLARE	
010	83634005	002	ECROU	NUT	MUTTER	DADO	
011	83654026	002	REDUCTION	ADAPTER, REDUCER	REDUZIERUNG	RIDUZIONE	
012	83655005	002	RACCORD	FITTING	VERBINDUNG	RACCORDO	
013	83655101	001	RACCORD	FITTING	VERBINDUNG	RACCORDO	
014	G4102140	001	SUPPORT	SUPPORT	TRAEGER	SUPPORTO	
015	G4102150	001	SUPPORT	SUPPORT	TRAEGER	SUPPORTO	
016	G4102670	001	TOLE	SHEET	BLECH	TELA	
017	G4102680	001	SUPPORT	SUPPORT	TRAEGER	SUPPORTO	
018	G4102710	002	ETRIER	U-BOLT	BUEGEL	CAVALLOTTO	
019	G4103960	002	SUPPORT	SUPPORT	TRAEGER	SUPPORTO	
020	G9000430	001	RESERVOIR	RESERVOIR	TANK	SERBATOIO	
021	G9000570	001	MAMELON	UNION	VERBINDUNGSTUCK		
022	G9100060	001	TUYAU	PIPE	ROHR	TUBO	





BLOC VANNES 3VMANU+5VMANU3"PM5 VALVE BLOCK 3VMANU+5VMANU3"PM5 VENTILBLOCK 3VMANU+5VMANU3"PM5 BLOCCO VALVOLE 3VMANU+5VMANU3"PM5

Rep	Nr	Qt	Designation	Description	Bezeichnung	Referenza	Remarque - Remark - Bemerkung - Osservazioni
001	80060817	002	VIS TETE HEXAGONALE INOX	HEXAGON HEAD SCREW INOX	SECHSKANTSCHRAUBE INOX	VITE A TESTA ESAGONALE INOX	
002	80060828	010	VIS TETE HEXAGONALE INOX	HEXAGON HEAD SCREW INOX	SECHSKANTSCHRAUBE INOX	VITE A TESTA ESAGONALE INOX	
003	80200831	016	ECROU HEXAG.AUTOFREINE INOX	SELF-LOCKING NUT INOX	SELBSTSICHERNDE MUTTER INOX	DADO AUTOBLOCCANTE INOX	
004	80201049	004	ECROU HEX.BAS AUTOFR.INOX	SELF-LOCKING NUT INOX	SELBSTSICHERNDE MUTTER INOX	DADO AUTOBLOCCANTE INOX	
005	80250800	030	RONDELLE PLATE INOX A2	PLAIN WASHER INOX A2	SCHEIBE INOX A2	RONDELLA PIATTALA INOX A2	
006	80251005	004	RONDELLE PLATE INOX A2	PLAIN WASHER INOX A2	SCHEIBE INOX A2	RONDELLA PIATTALA INOX A2	
007	82062935	002	JOINT TORIQUE	O-RING	O-RING	GUARNIZIONE	
008	82065835	002	JOINT TORIQUE VITON VERT	O-RING	O-RING	GUARNIZIONE	
009	83090181	004	COLLIER	CLAMP, HOSE	SCHLAUCHSCHELLE	COLLARE	
010	83634005	002	ECROU	NUT	MUTTER	DADO	
011	83654026	002	REDUCTION	ADAPTER, REDUCER	REDUZIERUNG	RIDUZIONE	
012	83655005	002	RACCORD	FITTING	VERBINDUNG	RACCORDO	
013	83655101	001	RACCORD	FITTING	VERBINDUNG	RACCORDO	
014	G4102140	001	SUPPORT	SUPPORT	TRAEGER	SUPPORTO	
015	G4102150	001	SUPPORT	SUPPORT	TRAEGER	SUPPORTO	
016	G4102670	001	TOLE	SHEET	BLECH	TELA	
017	G4102680	001	SUPPORT	SUPPORT	TRAEGER	SUPPORTO	
018	G4102710	001	ETRIER	U-BOLT	BUEGEL	CAVALLOTTO	
019	G4102720	001	ETRIER	U-BOLT	BUEGEL	CAVALLOTTO	
020	G4103960	002	SUPPORT	SUPPORT	TRAEGER	SUPPORTO	
021	G9000430	001	RESERVOIR	RESERVOIR	TANK	SERBATOIO	
022	G9000570	001	MAMELON	UNION	VERBINDUNGSTUECK		
023	G9100060	001	TUYAU	PIPE	ROHR	TUBO	



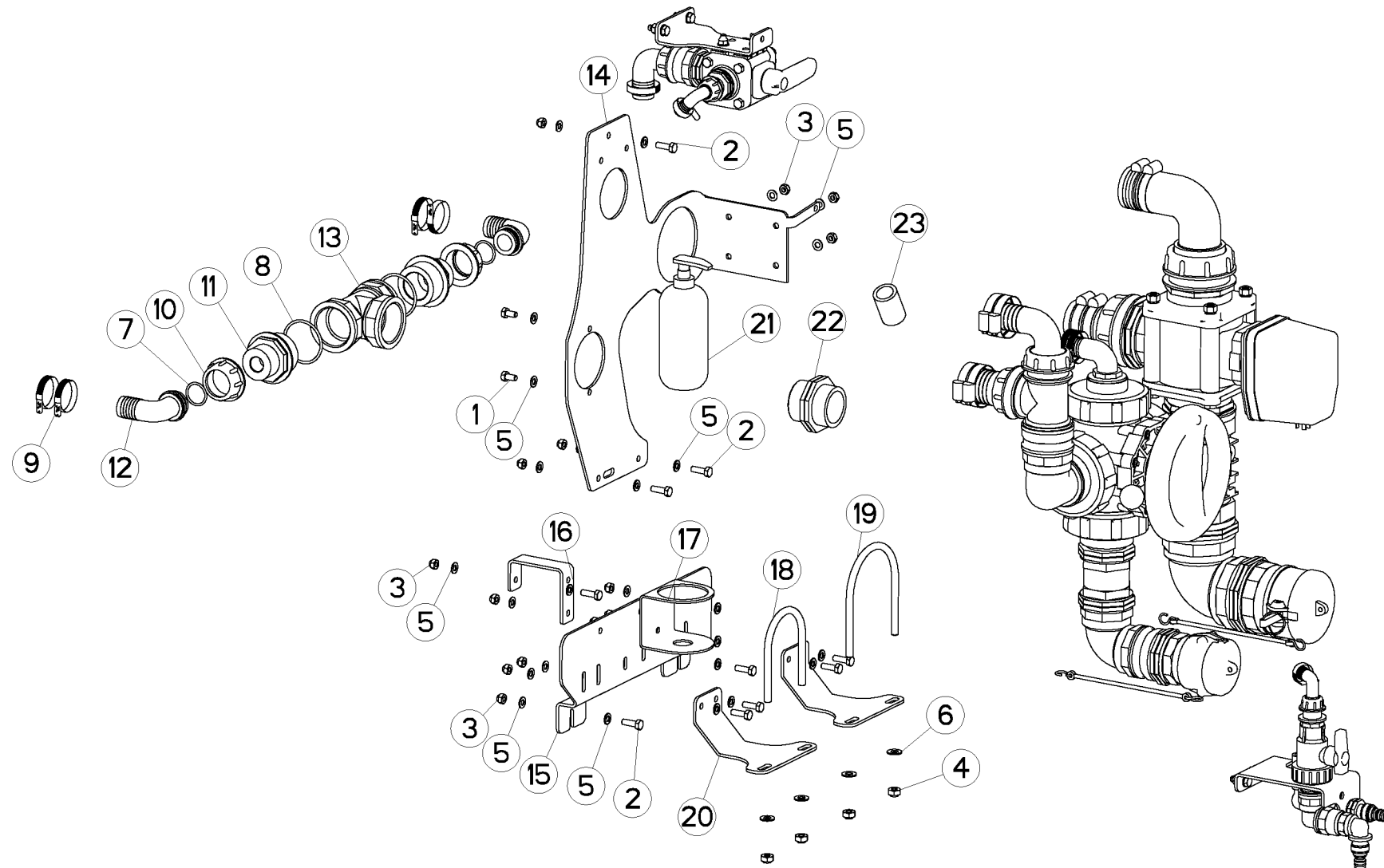


METRIS

G40R0225 B

BLOC VANNES 3V ELE+5VMANU2"PM2 VALVE BLOCK 3V ELE+5VMANU2"PM2 VENTILBLOCK 3V ELE+5VMANU2"PM2 BLOCCO VALVOLE 3V ELE+5VMANU2"PM2

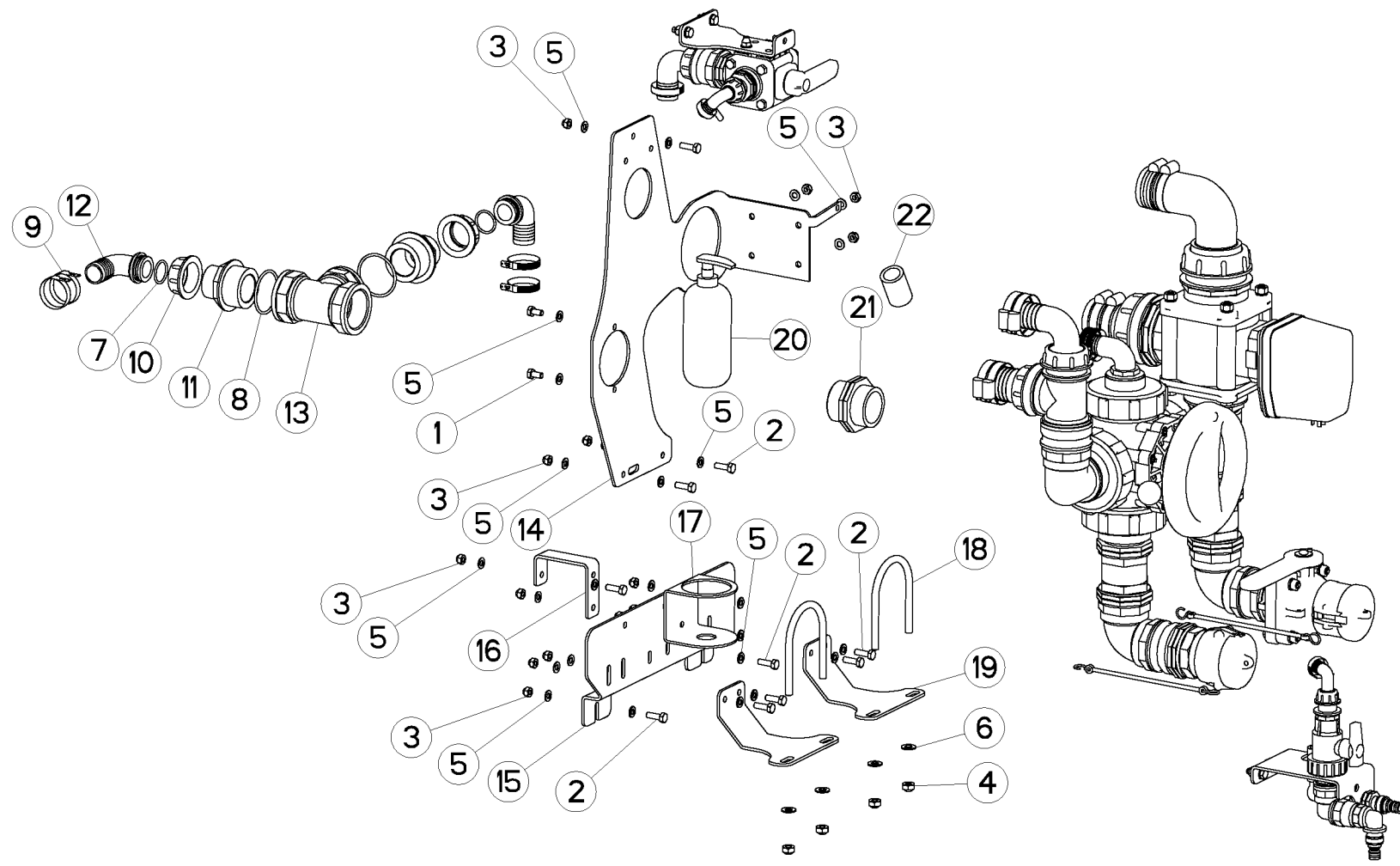
Rep	Nr	Qt	Designation	Description	Bezeichnung	Referenza	Remarque - Remark - Bemerkung - Osservazioni
001	80060817	002	VIS TETE HEXAGONALE INOX	HEXAGON HEAD SCREW INOX	SECHSKANTSCHRAUBE INOX	VITE A TESTA ESAGONALE INOX	
002	80060828	010	VIS TETE HEXAGONALE INOX	HEXAGON HEAD SCREW INOX	SECHSKANTSCHRAUBE INOX	VITE A TESTA ESAGONALE INOX	
003	80200831	016	ECROU HEXAG.AUTOFREINE INOX	SELF-LOCKING NUT INOX	SELBSTSICHERNDE MUTTER INOX	DADO AUTOBLOCCANTE INOX	
004	80201049	004	ECROU HEX.BAS AUTOFR.INOX	SELF-LOCKING NUT INOX	SELBSTSICHERNDE MUTTER INOX	DADO AUTOBLOCCANTE INOX	
005	80250800	030	RONDELLE PLATE INOX A2	PLAIN WASHER INOX A2	SCHEIBE INOX A2	RONDELLA PIATTALA INOX A2	
006	80251005	004	RONDELLE PLATE INOX A2	PLAIN WASHER INOX A2	SCHEIBE INOX A2	RONDELLA PIATTALA INOX A2	
007	82062935	001	JOINT TORIQUE	O-RING	O-RING	GUARNIZIONE	
008	83090181	002	COLLIER	CLAMP, HOSE	SCHLAUCHSCHELLE	COLLARE	
009	83634005	001	ECROU	NUT	MUTTER	DADO	
010	83655006	001	RACCORD	FITTING	VERBINDUNG	RACCORDO	
011	G4102140	001	SUPPORT	SUPPORT	TRAEGER	SUPPORTO	
012	G4102150	001	SUPPORT	SUPPORT	TRAEGER	SUPPORTO	
013	G4102670	001	TOLE	SHEET	BLECH	TELA	
014	G4102680	001	SUPPORT	SUPPORT	TRAEGER	SUPPORTO	
015	G4102710	002	ETRIER	U-BOLT	BUEGEL	CAVALLOTTO	
016	G4103960	002	SUPPORT	SUPPORT	TRAEGER	SUPPORTO	
017	G9000430	001	RESERVOIR	RESERVOIR	TANK	SERBATOIO	
018	G9001710	001	REDUCTION	ADAPTER, REDUCER	REDUZIERUNG	RIDUZIONE	
019	G9100060	001	TUYAU	PIPE	ROHR	TUBO	





BLOC VANNES 3VELEC+5VMANU3"PM5 VALVE BLOCK 3VELEC+5VMANU3"PM5 VENTILBLOCK 3VELEC+5VMANU3"PM5 BLOCCO VALVOLE 3VELEC+5VMAN

Rep	Nr	Qt	Designation	Description	Bezeichnung	Referenza	Remarque - Remark - Bemerkung - Osservazioni
001	80060817	002	VIS TETE HEXAGONALE INOX	HEXAGON HEAD SCREW INOX	SECHSKANTSCHRAUBE INOX	VITE A TESTA ESAGONALE INOX	
002	80060828	010	VIS TETE HEXAGONALE INOX	HEXAGON HEAD SCREW INOX	SECHSKANTSCHRAUBE INOX	VITE A TESTA ESAGONALE INOX	
003	80200831	016	ECROU HEXAG.AUTOFREINE INOX	SELF-LOCKING NUT INOX	SELBSTSICHERNDE MUTTER INOX	DADO AUTOBLOCCANTE INOX	
004	80201049	004	ECROU HEX.BAS AUTOFR.INOX	SELF-LOCKING NUT INOX	SELBSTSICHERNDE MUTTER INOX	DADO AUTOBLOCCANTE INOX	
005	80250800	030	RONDELLE PLATE INOX A2	PLAIN WASHER INOX A2	SCHEIBE INOX A2	RONDELLA PIATTALA INOX A2	
006	80251005	004	RONDELLE PLATE INOX A2	PLAIN WASHER INOX A2	SCHEIBE INOX A2	RONDELLA PIATTALA INOX A2	
007	82062935	002	JOINT TORIQUE	O-RING	O-RING	GUARNIZIONE	
008	82065835	002	JOINT TORIQUE VITON VERT	O-RING	O-RING	GUARNIZIONE	
009	83090181	004	COLLIER	CLAMP, HOSE	SCHLAUCHSCHELLE	COLLARE	
010	83634005	002	ECROU	NUT	MUTTER	DADO	
011	83654026	002	REDUCTION	ADAPTER, REDUCER	REDUZIERUNG	RIDUZIONE	
012	83655005	002	RACCORD	FITTING	VERBINDUNG	RACCORDO	
013	83655101	001	RACCORD	FITTING	VERBINDUNG	RACCORDO	
014	G4102140	001	SUPPORT	SUPPORT	TRAEGER	SUPPORTO	
015	G4102150	001	SUPPORT	SUPPORT	TRAEGER	SUPPORTO	
016	G4102670	001	TOLE	SHEET	BLECH	TELA	
017	G4102680	001	SUPPORT	SUPPORT	TRAEGER	SUPPORTO	
018	G4102710	001	ETRIER	U-BOLT	BUEGEL	CAVALLOTTO	
019	G4102720	001	ETRIER	U-BOLT	BUEGEL	CAVALLOTTO	
020	G4103960	002	SUPPORT	SUPPORT	TRAEGER	SUPPORTO	
021	G9000430	001	RESERVOIR	RESERVOIR	TANK	SERBATOIO	
022	G9000570	001	MAMELON	UNION	VERBINDUNGSTUECK		
023	G9100060	001	TUYAU	PIPE	ROHR	TUBO	



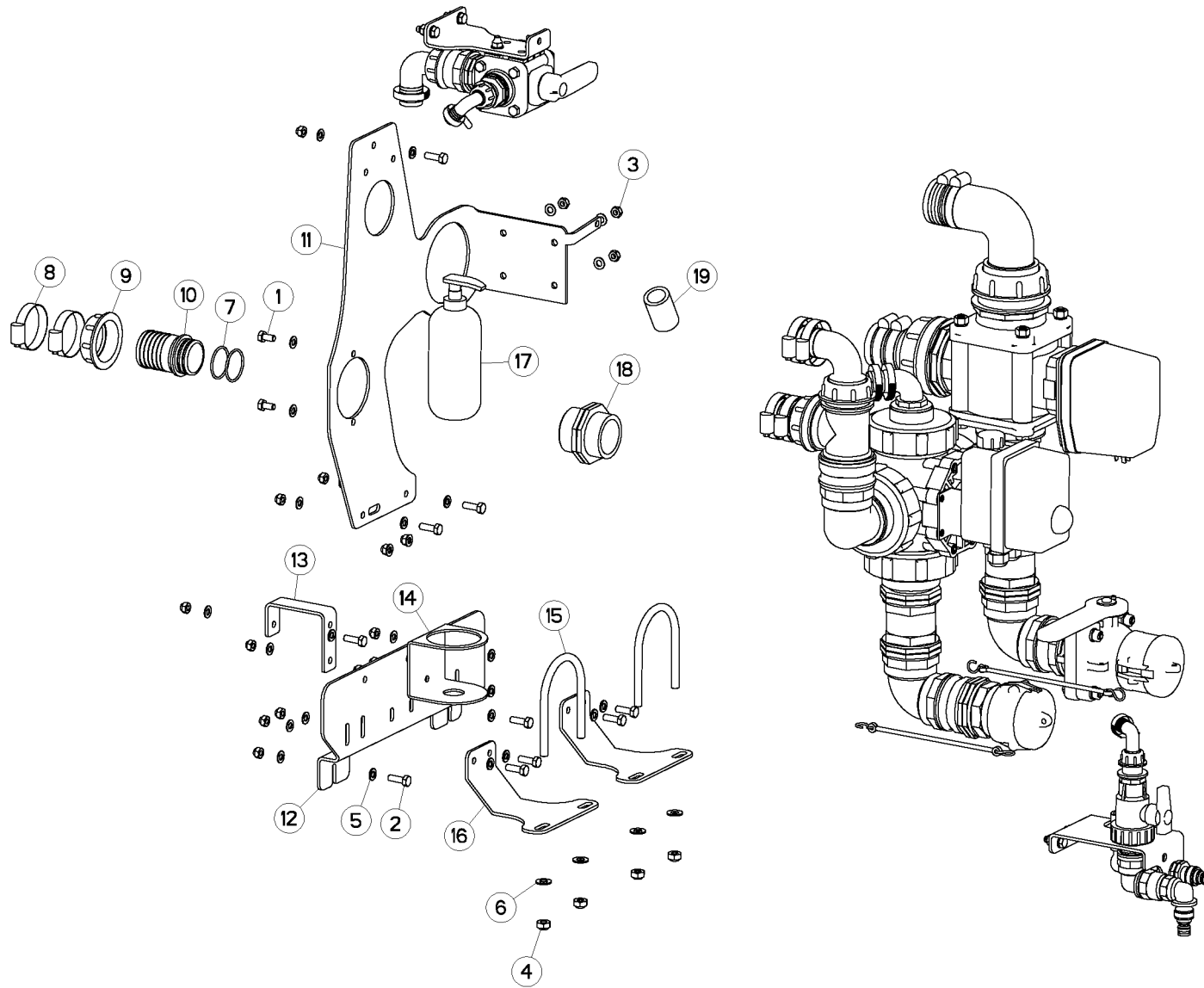


METRIS

G40R0219 B

BLOC VANNES 3V ELEC+5VMANU+PM3 VALVE BLOCK 3V ELEC+5VMANU+PM3 VENTILBLOCK 3V ELEC+5VMANU+PM3 BLOCCO VALVOLE 3V ELEC+5VMANU+PM3

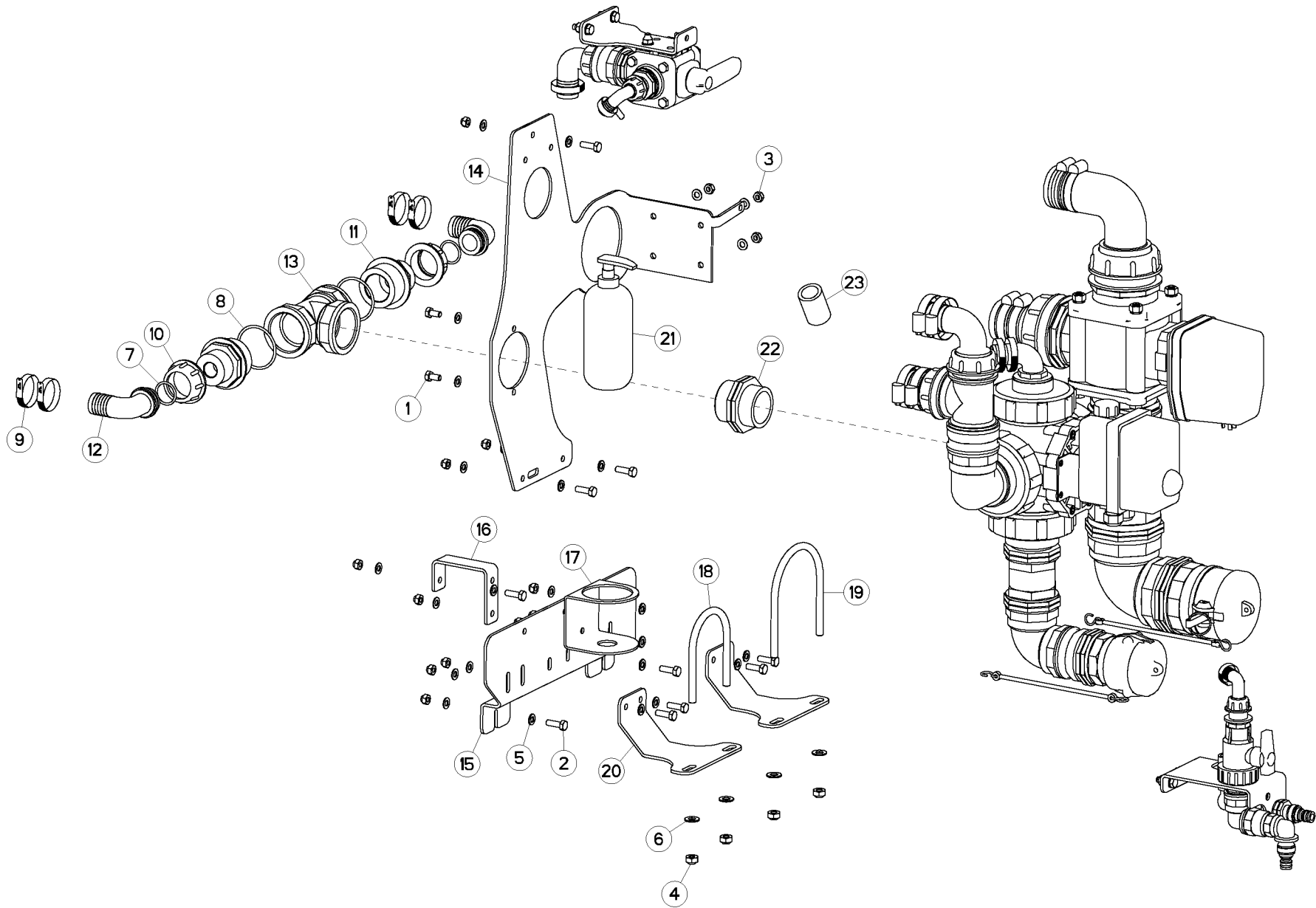
Rep	Nr	Qt	Designation	Description	Bezeichnung	Referenza	Remarque - Remark - Bemerkung - Osservazioni
001	80060817	002	VIS TETE HEXAGONALE INOX	HEXAGON HEAD SCREW INOX	SECHSKANTSCHRAUBE INOX	VITE A TESTA ESAGONALE INOX	
002	80060828	010	VIS TETE HEXAGONALE INOX	HEXAGON HEAD SCREW INOX	SECHSKANTSCHRAUBE INOX	VITE A TESTA ESAGONALE INOX	
003	80200831	016	ECROU HEXAG.AUTOFREINE INOX	SELF-LOCKING NUT INOX	SELBSTSICHERNDE MUTTER INOX	DADO AUTOBLOCCANTE INOX	
004	80201049	004	ECROU HEX.BAS AUTOFR.INOX	SELF-LOCKING NUT INOX	SELBSTSICHERNDE MUTTER INOX	DADO AUTOBLOCCANTE INOX	
005	80250800	030	RONDELLE PLATE INOX A2	PLAIN WASHER INOX A2	SCHEIBE INOX A2	RONDELLA PIATTALA INOX A2	
006	80251005	004	RONDELLE PLATE INOX A2	PLAIN WASHER INOX A2	SCHEIBE INOX A2	RONDELLA PIATTALA INOX A2	
007	82062935	002	JOINT TORIQUE	O-RING	O-RING	GUARNIZIONE	
008	82065835	002	JOINT TORIQUE VITON VERT	O-RING	O-RING	GUARNIZIONE	
009	83090181	004	COLLIER	CLAMP, HOSE	SCHLAUCHSCHELLE	COLLARE	
010	83634005	002	ECROU	NUT	MUTTER	DADO	
011	83654026	002	REDUCTION	ADAPTER, REDUCER	REDUZIERUNG	RIDUZIONE	
012	83655005	002	RACCORD	FITTING	VERBINDUNG	RACCORDO	
013	83655101	001	RACCORD	FITTING	VERBINDUNG	RACCORDO	
014	G4102140	001	SUPPORT	SUPPORT	TRAEGER	SUPPORTO	
015	G4102150	001	SUPPORT	SUPPORT	TRAEGER	SUPPORTO	
016	G4102670	001	TOLE	SHEET	BLECH	TELA	
017	G4102680	001	SUPPORT	SUPPORT	TRAEGER	SUPPORTO	
018	G4102710	002	ETRIER	U-BOLT	BUEGEL	CAVALLOTTO	
019	G4103960	002	SUPPORT	SUPPORT	TRAEGER	SUPPORTO	
020	G9000430	001	RESERVOIR	RESERVOIR	TANK	SERBATOIO	
021	G9000570	001	MAMELON	UNION	VERBINDUNGSTUCK		
022	G9100060	001	TUYAU	PIPE	ROHR	TUBO	





BLOC VANNES 3VELEC+5VELEC2"PC7 VALVE BLOCK 3VELEC+5VELEC2"PC7 VENTILBLOCK 3VELEC+5VELEC2"PC7 BLOCCO VALVOLE 3VELEC+5VELEC

Rep	Nr	Qt	Designation	Description	Bezeichnung	Referenza	Remarque - Remark - Bemerkung - Osservazioni
001	80060817	002	VIS TETE HEXAGONALE INOX	HEXAGON HEAD SCREW INOX	SECHSKANTSCHRAUBE INOX	VITE A TESTA ESAGONALE INOX	
002	80060828	010	VIS TETE HEXAGONALE INOX	HEXAGON HEAD SCREW INOX	SECHSKANTSCHRAUBE INOX	VITE A TESTA ESAGONALE INOX	
003	80200831	020	ECROU HEXAG.AUTOFREINE INOX	SELF-LOCKING NUT INOX	SELBSTSICHERNDE MUTTER INOX	DADO AUTOBLOCCANTE INOX	
004	80201049	004	ECROU HEX.BAS AUTOFR.INOX	SELF-LOCKING NUT INOX	SELBSTSICHERNDE MUTTER INOX	DADO AUTOBLOCCANTE INOX	
005	80250800	034	RONDELLE PLATE INOX A2	PLAIN WASHER INOX A2	SCHEIBE INOX A2	RONDELLA PIATTALA INOX A2	
006	80251005	004	RONDELLE PLATE INOX A2	PLAIN WASHER INOX A2	SCHEIBE INOX A2	RONDELLA PIATTALA INOX A2	
007	82063941	002	JOINT TORIQUE VITON VERT	O-RING	O-RING	GUARNIZIONE	
008	83090177	002	COLLIER VIS SANS FIN INOX	CLAMP, HOSE	SCHLAUCHSCHELLE	COLLARE	
009	83634012	001	ECROU	NUT	MUTTER	DADO	
010	83673165	001	RACCORD	FITTING	VERBINDUNG	RACCORDO	
011	G4102140	001	SUPPORT	SUPPORT	TRAEGER	SUPPORTO	
012	G4102150	001	SUPPORT	SUPPORT	TRAEGER	SUPPORTO	
013	G4102670	001	TOLE	SHEET	BLECH	TELA	
014	G4102680	001	SUPPORT	SUPPORT	TRAEGER	SUPPORTO	
015	G4102710	002	ETRIER	U-BOLT	BUEGEL	CAVALLOTTO	
016	G4103960	002	SUPPORT	SUPPORT	TRAEGER	SUPPORTO	
017	G9000430	001	RESERVOIR	RESERVOIR	TANK	SERBATOIO	
018	G9000570	001	MAMELON	UNION	VERBINDUNGSTUCK		
019	G9100060	001	TUYAU	PIPE	ROHR	TUBO	





METRIS

G40R0229 B

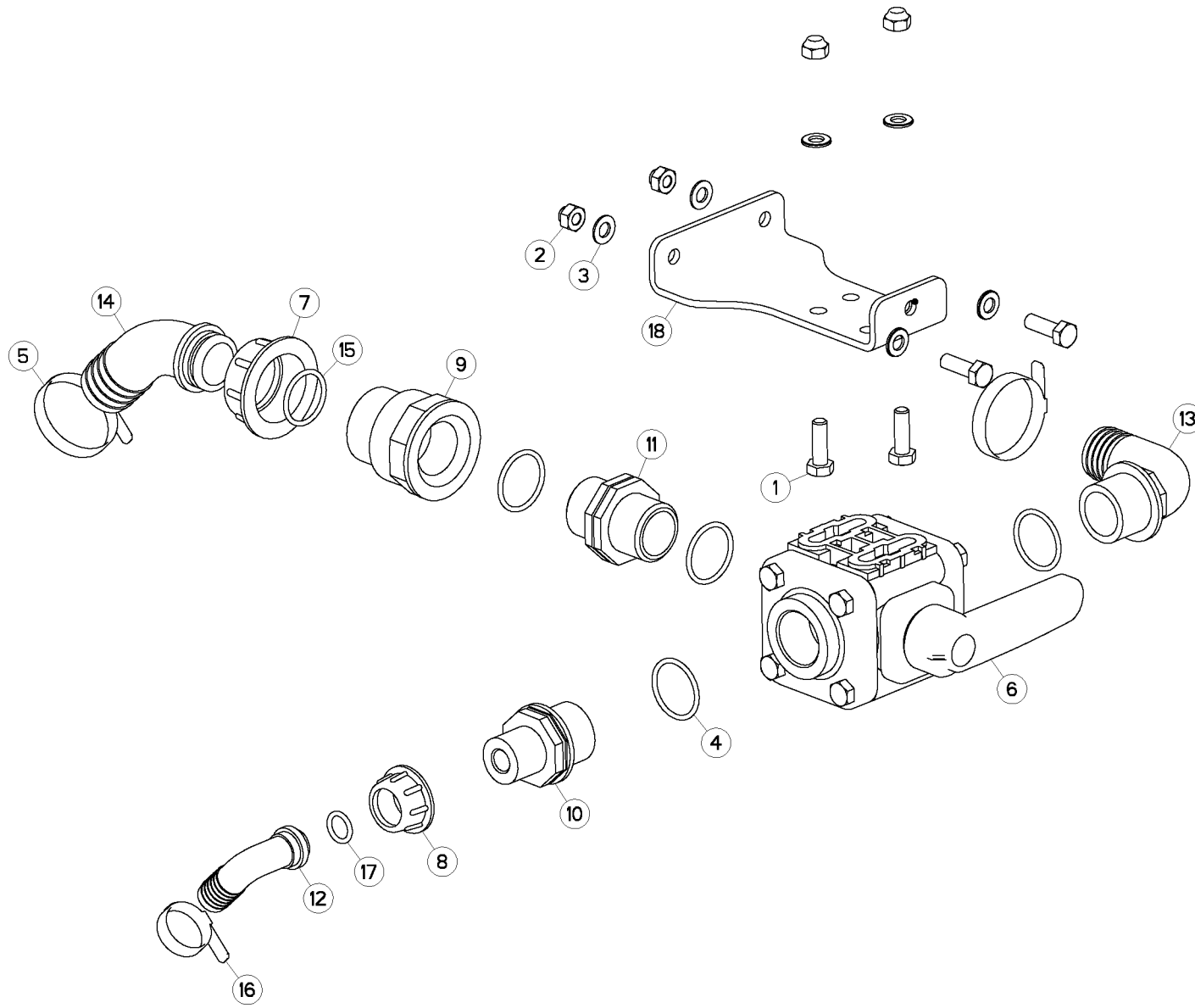
BLOC VANNES 3V ELE+5V ELE3"PM5

VALVE BLOCK 3V ELE+5V ELE3"PM5

VENTILBLOCK 3V ELE+5V ELE3"PM5

BLOCCO VALVOLE 3V ELE+5V ELE3

Rep	Nr	Qt	Designation	Description	Bezeichnung	Referenza	Remarque - Remark - Bemerkung - Osservazioni
001	80060817	002	VIS TETE HEXAGONALE INOX	HEXAGON HEAD SCREW INOX	SECHSKANTSCHRAUBE INOX	VITE A TESTA ESAGONALE INOX	
002	80060828	010	VIS TETE HEXAGONALE INOX	HEXAGON HEAD SCREW INOX	SECHSKANTSCHRAUBE INOX	VITE A TESTA ESAGONALE INOX	
003	80200831	016	ECROU HEXAG.AUTOFREINE INOX	SELF-LOCKING NUT INOX	SELBSTSICHERNDE MUTTER INOX	DADO AUTOBLOCCANTE INOX	
004	80201049	004	ECROU HEX.BAS AUTOFR.INOX	SELF-LOCKING NUT INOX	SELBSTSICHERNDE MUTTER INOX	DADO AUTOBLOCCANTE INOX	
005	80250800	030	RONDELLE PLATE INOX A2	PLAIN WASHER INOX A2	SCHEIBE INOX A2	RONDELLA PIATTALA INOX A2	
006	80251005	004	RONDELLE PLATE INOX A2	PLAIN WASHER INOX A2	SCHEIBE INOX A2	RONDELLA PIATTALA INOX A2	
007	82062935	002	JOINT TORIQUE	O-RING	O-RING	GUARNIZIONE	
008	82065835	002	JOINT TORIQUE VITON VERT	O-RING	O-RING	GUARNIZIONE	
009	83090181	004	COLLIER	CLAMP, HOSE	SCHLAUCHSCHELLE	COLLARE	
010	83634005	002	ECROU	NUT	MUTTER	DADO	
011	83654026	002	REDUCTION	ADAPTER, REDUCER	REDUZIERUNG	RIDUZIONE	
012	83655005	002	RACCORD	FITTING	VERBINDUNG	RACCORDO	
013	83655101	001	RACCORD	FITTING	VERBINDUNG	RACCORDO	
014	G4102140	001	SUPPORT	SUPPORT	TRAEGER	SUPPORTO	
015	G4102150	001	SUPPORT	SUPPORT	TRAEGER	SUPPORTO	
016	G4102670	001	TOLE	SHEET	BLECH	TELA	
017	G4102680	001	SUPPORT	SUPPORT	TRAEGER	SUPPORTO	
018	G4102710	001	ETRIER	U-BOLT	BUEGEL	CAVALLOTTO	
019	G4102720	001	ETRIER	U-BOLT	BUEGEL	CAVALLOTTO	
020	G4103960	002	SUPPORT	SUPPORT	TRAEGER	SUPPORTO	
021	G9000430	001	RESERVOIR	RESERVOIR	TANK	SERBATOIO	
022	G9000570	001	MAMELON	UNION	VERBINDUNGSTUECK		
023	G9100060	001	TUYAU	PIPE	ROHR	TUBO	





METRIS

G40R0246 B

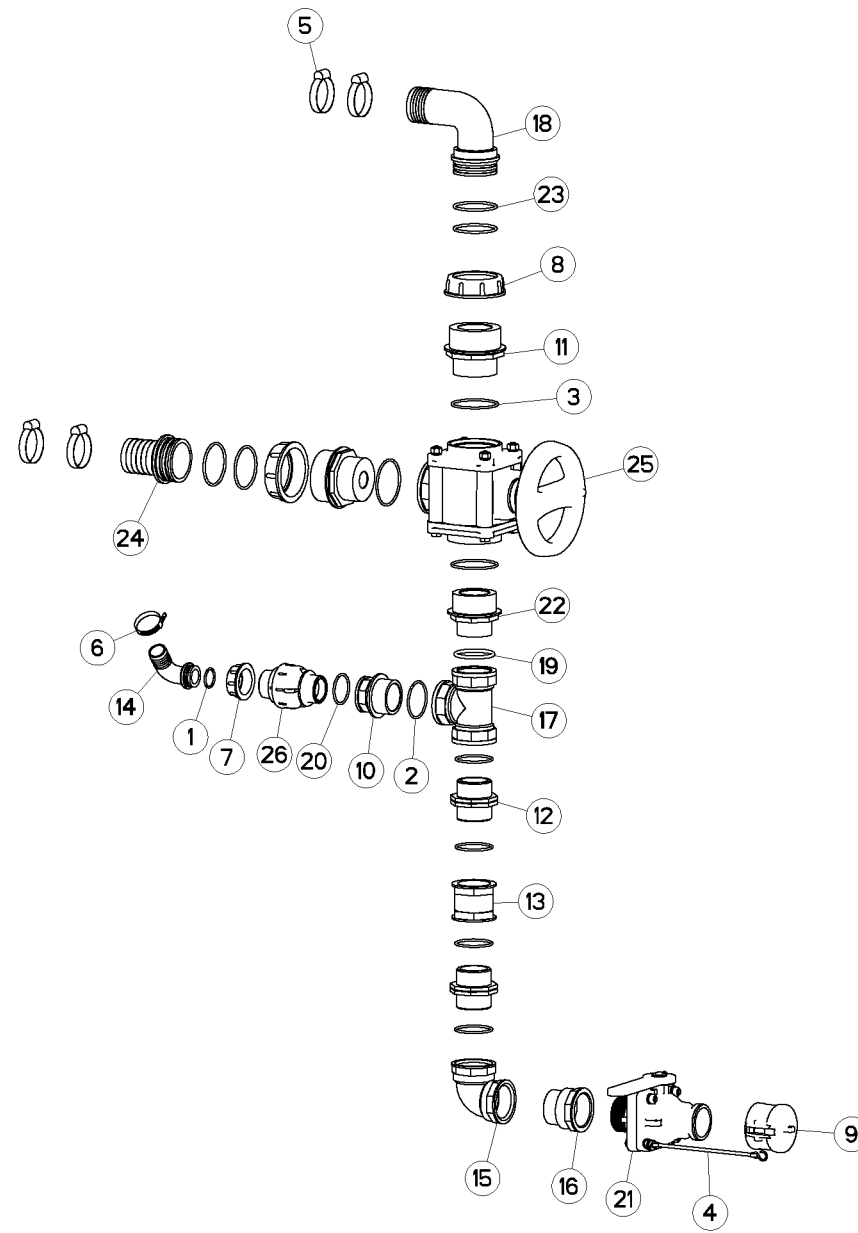
BLOC VANNES 3 VOIES 1" METRIS

VALVE BLOCK 3 VOIES 1" METRIS

VENTILBLOCK 3 VOIES 1" METRIS

BLOCCO VALVOLE 3 VOIES 1" METRIS

Rep	Nr	Qt	Designation	Description	Bezeichnung	Referenza	Remarque - Remark - Bemerkung - Osservazioni
001	80060828	004	VIS TETE HEXAGONALE INOX	HEXAGON HEAD SCREW INOX	SECHSKANTSCHRAUBE INOX	VITE A TESTA ESAGONALE INOX	
002	80200831	004	ECROU HEXAG.AUTOFREINE INOX	SELF-LOCKING NUT INOX	SELBSTSICHERNDE MUTTER INOX	DADO AUTOBLOCCANTE INOX	
003	80250800	006	RONDELLE PLATE INOX A2	PLAIN WASHER INOX A2	SCHEIBE INOX A2	RONDELLA PIATTALA INOX A2	
004	82062908	004	JOINT TORIQUE VITON VERT	O-RING	O-RING	GUARNIZIONE	
005	83090181	002	COLLIER	CLAMP, HOSE	SCHLAUCHSCHELLE	COLLARE	
006	83610029	001	VANNE	VALVE, SHUT-OFF	SCHIEBER	SARACINESCA	
007	83634011	001	ECROU	NUT	MUTTER	DADO	
008	83634016	001	ECROU	NUT	MUTTER	DADO	
009	83654017	001	REDUCTION	ADAPTER, REDUCER	REDUZIERUNG	RIDUZIONE	
010	83654023	001	REDUCTION	ADAPTER, REDUCER	REDUZIERUNG	RIDUZIONE	
011	83654035	001	MAMELON	UNION	VERBINDUNGSTUCK		
012	83655019	001	RACCORD	FITTING	VERBINDUNG	RACCORDO	
013	83655038	001	RACCORD	FITTING	VERBINDUNG	RACCORDO	
014	83673062	001	RACCORD	FITTING	VERBINDUNG	RACCORDO	
015	A6000080	001	JOINT TORIQUE	SEAL (OR)	DICHTUNG (OR)	GUARNIZIONE (OR)	
016	G0173400	001	COLLIER	CLAMP, HOSE	SCHLAUCHSCHELLE	COLLARE	
017	G0291010	001	JOINT	SEAL	DICHTUNG	GUARNIZIONE	
018	G4001790	001	SUPPORT	SUPPORT	TRAEGER	SUPPORTO	





METRIS

G40R0386 A

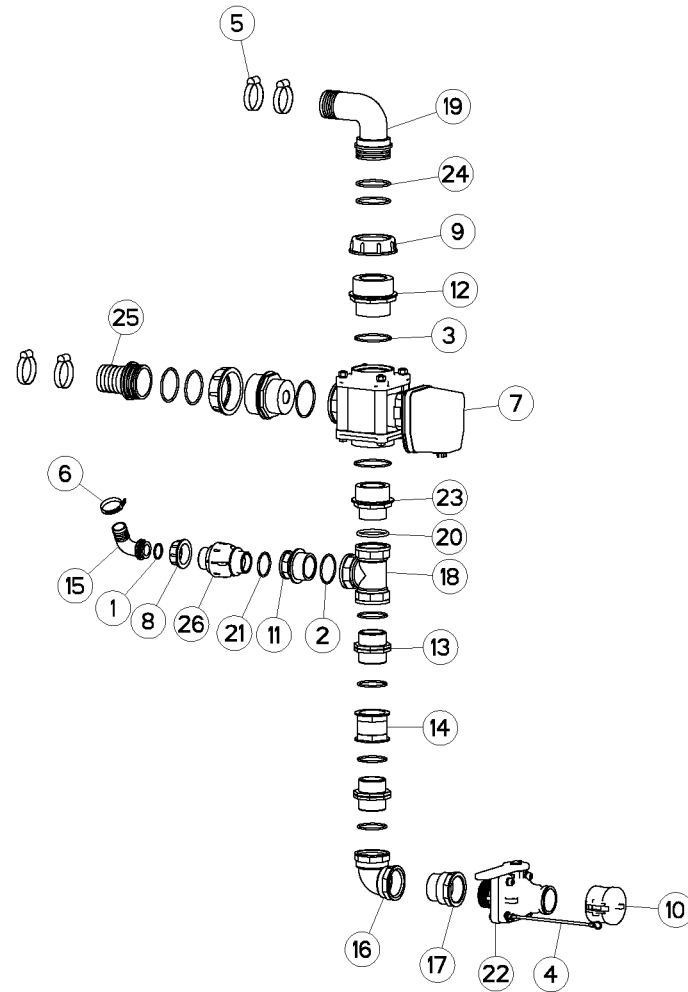
BLOC VANNES 3V 2"1/2 MANU PC70

VALVE BLOCK 3V 2"1/2 MANU PC70

VENTILBLOCK 3V 2"1/2 MANU PC70

BLOCCO VALVOLE 3V 2"1/2 MANU P

Rep	Nr	Qt	Designation	Description	Bezeichnung	Referenza	Remarque - Remark - Bemerkung - Osservazioni
001	82062935	001	JOINT TORIQUE	O-RING	O-RING	GUARNIZIONE	
002	82065835	005	JOINT TORIQUE VITON VERT	O-RING	O-RING	GUARNIZIONE	
003	82067435	003	JOINT TORIQUE VITON VERT	O-RING	O-RING	GUARNIZIONE	
004	83070063	001	LIEN PVC	PVC CORD	SICHERUNGSBAND	CAVETTO	
005	83090177	004	COLLIER VIS SANS FIN INOX	CLAMP, HOSE	SCHLAUCHSCHELLE	COLLARE	
006	83090181	001	COLLIER	CLAMP, HOSE	SCHLAUCHSCHELLE	COLLARE	
007	83634005	001	ECROU	NUT	MUTTER	DADO	
008	83634015	002	ECROU	NUT	MUTTER	DADO	
009	83637056	001	COUPLEUR	COUPLER	KUPPLER	GIUNTO	
010	83654012	001	REDUCTION	ADAPTER, REDUCER	REDUZIERUNG	RIDUZIONE	
011	83654030	002	REDUCTION	ADAPTER, REDUCER	REDUZIERUNG	RIDUZIONE	
012	83654043	002	MAMELON	UNION	VERBINDUNGSTUCK	NIPPLO	
013	83654049	001	MANCHON	SLEEVE	MUFFE	MANICOTTO	
014	83655005	001	RACCORD	FITTING	VERBINDUNG	RACCORDO	
015	83655031	001	RACCORD	FITTING	VERBINDUNG	RACCORDO	
016	83655091	001	RACCORD	FITTING	VERBINDUNG	RACCORDO	
017	83655101	001	RACCORD	FITTING	VERBINDUNG	RACCORDO	
018	83656004	001	COUDE	FITTING, HYDRAULIC, ELBOW	BOGEN	CURVA	
019	83668075	001	JOINT TORIQUE	O-RING	O-RING	GUARNIZIONE	
020	83673110	001	JOINT TORIQUE	O-RING	O-RING	GUARNIZIONE	
021	83673170	001	VANNE	VALVE, SHUT-OFF	SCHIEBER	SARACINESCA	
022	G0410150	001	REDUCTION	ADAPTER, REDUCER	REDUZIERUNG	RIDUZIONE	
023	G0546233	004	JOINT TORIQUE	O-RING	O-RING	GUARNIZIONE	
024	G0546260	001	RACCORD	FITTING	VERBINDUNG	RACCORDO	
025	G9000420	001	VANNE	VALVE, SHUT-OFF	SCHIEBER	SARACINESCA	
026	G9001700	001	CLAPET ANTI-RETOUR	VALVE, CHECK	RUECKSCHLAGVENTIL	VALVOLA ANTI-RITORNO	





METRIS

G40R0387 A

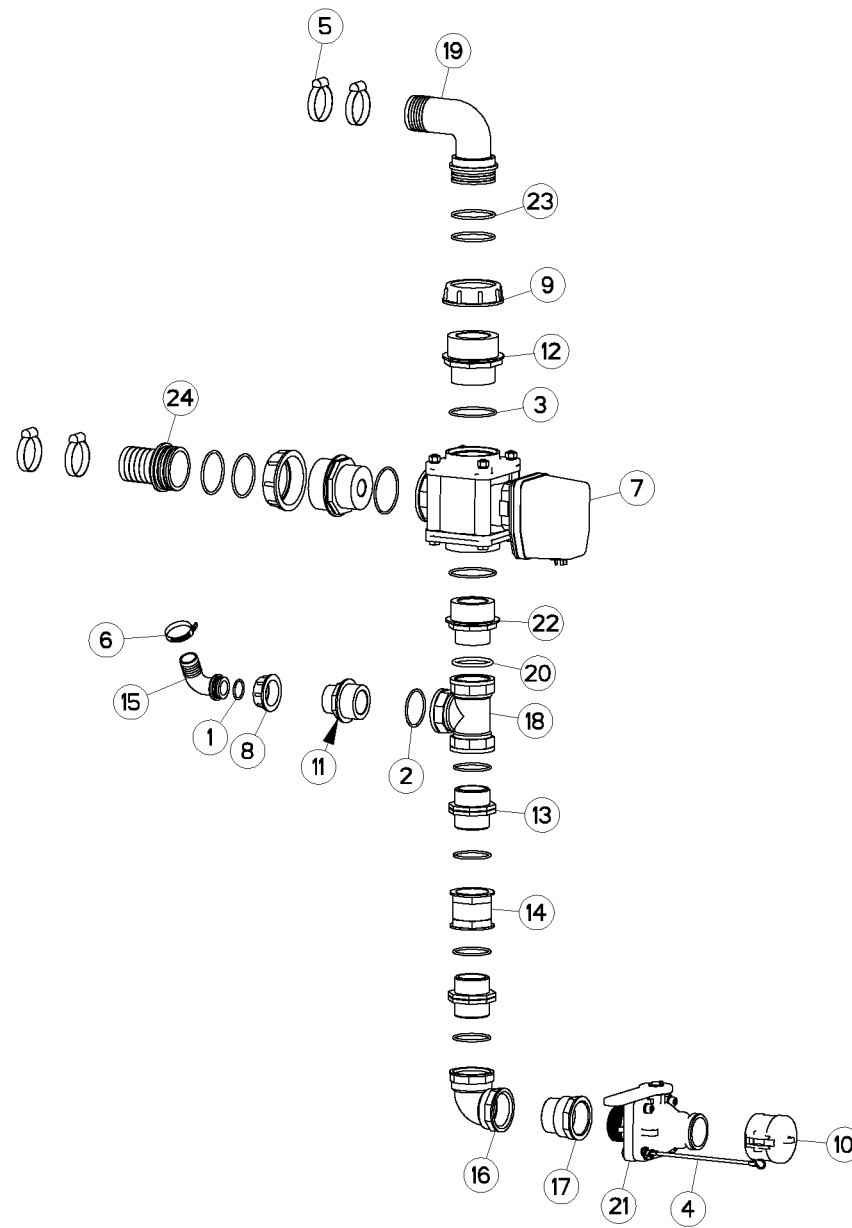
BLOC VANNES 3V 2"1/2 ELECT 2"

VALVE BLOCK 3V 2"1/2 ELECT 2"

VENTILBLOCK 3V 2"1/2 ELECT 2"

BLOCCO VALVOLE 3V 2"1/2 ELECT

Rep	Nr	Qt	Designation	Description	Bezeichnung	Referenza	Remarque - Remark - Bemerkung - Osservazioni
001	82062935	001	JOINT TORIQUE	O-RING	O-RING	GUARNIZIONE	
002	82065835	005	JOINT TORIQUE VITON VERT	O-RING	O-RING	GUARNIZIONE	
003	82067435	003	JOINT TORIQUE VITON VERT	O-RING	O-RING	GUARNIZIONE	
004	83070063	001	LIEN PVC	PVC CORD	SICHERUNGSBAND	CAVETTO	
005	83090177	004	COLLIER VIS SANS FIN INOX	CLAMP, HOSE	SCHLAUCHSCHELLE	COLLARE	
006	83090181	001	COLLIER	CLAMP, HOSE	SCHLAUCHSCHELLE	COLLARE	
007	83610031	001	VANNE	VALVE, SHUT-OFF	SCHIEBER	SARACINESCA	
008	83634005	001	ECROU	NUT	MUTTER	DADO	
009	83634015	002	ECROU	NUT	MUTTER	DADO	
010	83637056	001	COUPLEUR	COUPLER	KUPPLER	GIUNTO	
011	83654012	001	REDUCTION	ADAPTER, REDUCER	REDUZIERUNG	RIDUZIONE	
012	83654030	002	REDUCTION	ADAPTER, REDUCER	REDUZIERUNG	RIDUZIONE	
013	83654043	002	MAMELON	UNION	VERBINDUNGSTUCK	NIPPLO	
014	83654049	001	MANCHON	SLEEVE	MUFFE	MANICOTTO	
015	83655005	001	RACCORD	FITTING	VERBINDUNG	RACCORDO	
016	83655031	001	RACCORD	FITTING	VERBINDUNG	RACCORDO	
017	83655091	001	RACCORD	FITTING	VERBINDUNG	RACCORDO	
018	83655101	001	RACCORD	FITTING	VERBINDUNG	RACCORDO	
019	83656004	001	COUDE	FITTING, HYDRAULIC, ELBOW	BOGEN	CURVA	
020	83668075	001	JOINT TORIQUE	O-RING	O-RING	GUARNIZIONE	
021	83673110	001	JOINT TORIQUE	O-RING	O-RING	GUARNIZIONE	
022	83673170	001	VANNE	VALVE, SHUT-OFF	SCHIEBER	SARACINESCA	
023	G0410150	001	REDUCTION	ADAPTER, REDUCER	REDUZIERUNG	RIDUZIONE	
024	G0546233	004	JOINT TORIQUE	O-RING	O-RING	GUARNIZIONE	
025	G0546260	001	RACCORD	FITTING	VERBINDUNG	RACCORDO	
026	G9001700	001	CLAPET ANTI-RETOUR	VALVE, CHECK	RUECKSCHLAGVENTIL	VALVOLA ANTI-RITORNO	





METRIS

G40R0249 C

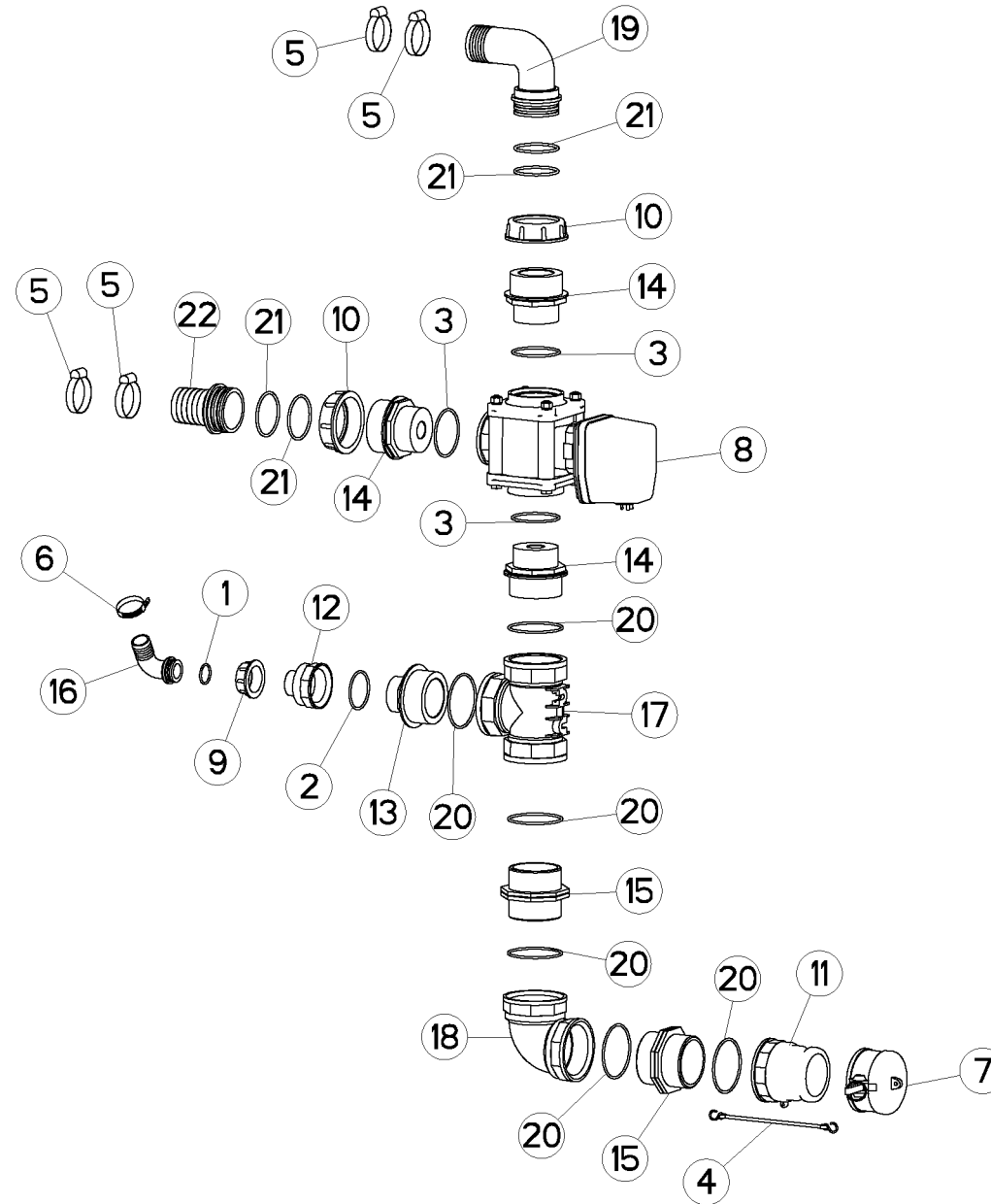
BLOC VANNES 3V 2"1/2 ELECTRICI

VALVE BLOCK 3V 2"1/2 ELECTRICI

VENTILBLOCK 3V 2"1/2 ELEKTRIZI

BLOCCO VALVOLE 3V 2"1/2 ELETTRICI

Rep	Nr	Qt	Designation	Description	Bezeichnung	Referenza	Remarque - Remark - Bemerkung - Osservazioni
001	82062935	001	JOINT TORIQUE	O-RING	O-RING	GUARNIZIONE	
002	82065835	005	JOINT TORIQUE VITON VERT	O-RING	O-RING	GUARNIZIONE	
003	82067435	003	JOINT TORIQUE VITON VERT	O-RING	O-RING	GUARNIZIONE	
004	83070063	001	LIEN PVC	PVC CORD	SICHERUNGSBAND	CAVETTO	
005	83090177	004	COLLIER VIS SANS FIN INOX	CLAMP, HOSE	SCHLAUCHSCHELLE	COLLARE	
006	83090181	001	COLLIER	CLAMP, HOSE	SCHLAUCHSCHELLE	COLLARE	
007	83610031	001	VANNE	VALVE, SHUT-OFF	SCHIEBER	SARACINESCA	
008	83634005	001	ECROU	NUT	MUTTER	DADO	
009	83634015	002	ECROU	NUT	MUTTER	DADO	
010	83637056	001	COUPLEUR	COUPLER	KUPPLER	GIUNTO	
011	83654026	001	REDUCTION	ADAPTER, REDUCER	REDUZIERUNG	RIDUZIONE	
012	83654030	002	REDUCTION	ADAPTER, REDUCER	REDUZIERUNG	RIDUZIONE	
013	83654043	002	MAMELON	UNION	VERBINDUNGSTUCK	NIPPLO	
014	83654049	001	MANCHON	SLEEVE	MUFFE	MANICOTTO	
015	83655005	001	RACCORD	FITTING	VERBINDUNG	RACCORDO	
016	83655031	001	RACCORD	FITTING	VERBINDUNG	RACCORDO	
017	83655091	001	RACCORD	FITTING	VERBINDUNG	RACCORDO	
018	83655101	001	RACCORD	FITTING	VERBINDUNG	RACCORDO	
019	83656004	001	COUDE	FITTING, HYDRAULIC, ELBOW	BOGEN	CURVA	
020	83668075	001	JOINT TORIQUE	O-RING	O-RING	GUARNIZIONE	
021	83673170	001	VANNE	VALVE, SHUT-OFF	SCHIEBER	SARACINESCA	
022	G0410150	001	REDUCTION	ADAPTER, REDUCER	REDUZIERUNG	RIDUZIONE	
023	G0546233	004	JOINT TORIQUE	O-RING	O-RING	GUARNIZIONE	
024	G0546260	001	RACCORD	FITTING	VERBINDUNG	RACCORDO	





METRIS

G40R0247 A

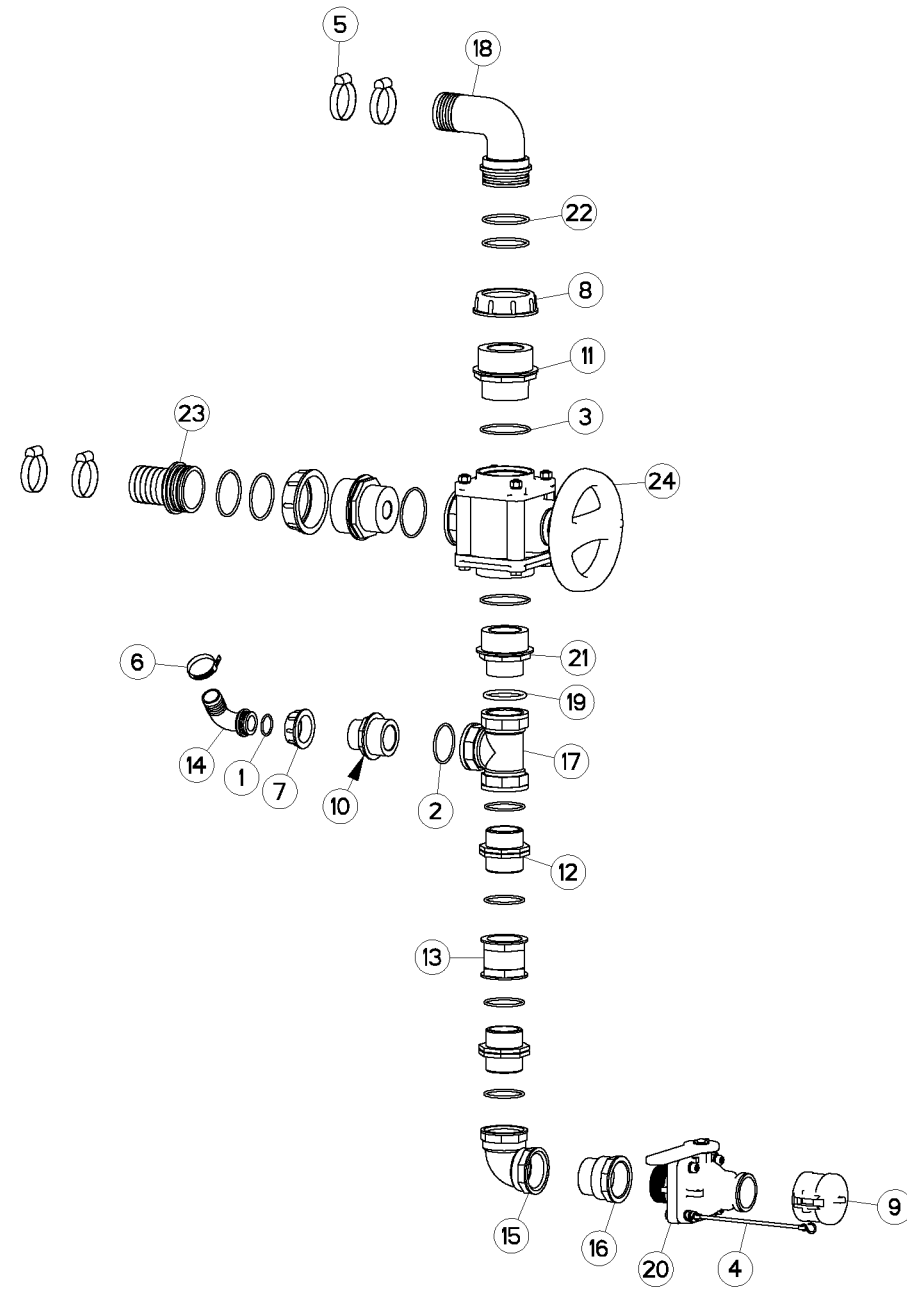
BLOC VANNES 3V 2" 1/2 ELECT 3"

VALVE BLOCK 3V 2" 1/2 ELECT 3"

VENTILBLOCK 3V 2" 1/2 ELECT 3"

BLOCCO VALVOLE 3V 2" 1/2 ELECT

Rep	Nr	Qt	Designation	Description	Bezeichnung	Referenza	Remarque - Remark - Bemerkung - Osservazioni
001	82062935	001	JOINT TORIQUE	O-RING	O-RING	GUARNIZIONE	
002	82065835	001	JOINT TORIQUE VITON VERT	O-RING	O-RING	GUARNIZIONE	
003	82067435	003	JOINT TORIQUE VITON VERT	O-RING	O-RING	GUARNIZIONE	
004	83070063	001	LIEN PVC	PVC CORD	SICHERUNGSBAND	CAVETTO	
005	83090177	004	COLLIER VIS SANS FIN INOX	CLAMP, HOSE	SCHLAUCHSCHELLE	COLLARE	
006	83090181	001	COLLIER	CLAMP, HOSE	SCHLAUCHSCHELLE	COLLARE	
007	83600179	001	COUPLEUR	COUPLER	KUPPLER	GIUNTO	
008	83610031	001	VANNE	VALVE, SHUT-OFF	SCHIEBER	SARACINESCA	
009	83634005	001	ECROU	NUT	MUTTER	DADO	
010	83634015	002	ECROU	NUT	MUTTER	DADO	
011	83637062	001	ADAPTATEUR	FITTING, HYDRAULIC, ADAPTER	ANBAUELEMENT	ADATTATORE	
012	83654007	001	REDUCTION	ADAPTER, REDUCER	REDUZIERUNG	RIDUZIONE	
013	83654029	001	REDUCTION	ADAPTER, REDUCER	REDUZIERUNG	RIDUZIONE	
014	83654030	003	REDUCTION	ADAPTER, REDUCER	REDUZIERUNG	RIDUZIONE	
015	83654046	002	MAMELON	UNION	VERBINDUNGSTUCK		
016	83655005	001	RACCORD	FITTING	VERBINDUNG	RACCORDO	
017	83655087	001	RACCORD	FITTING	VERBINDUNG	RACCORDO	
018	83656001	001	COUDE	FITTING, HYDRAULIC, ELBOW	BOGEN	CURVA	
019	83656004	001	COUDE	FITTING, HYDRAULIC, ELBOW	BOGEN	CURVA	
020	83673116	006	JOINT TORIQUE	O-RING	O-RING	GUARNIZIONE	
021	G0546233	004	JOINT TORIQUE	O-RING	O-RING	GUARNIZIONE	
022	G0546260	001	RACCORD	FITTING	VERBINDUNG	RACCORDO	





METRIS

G40R0250 C

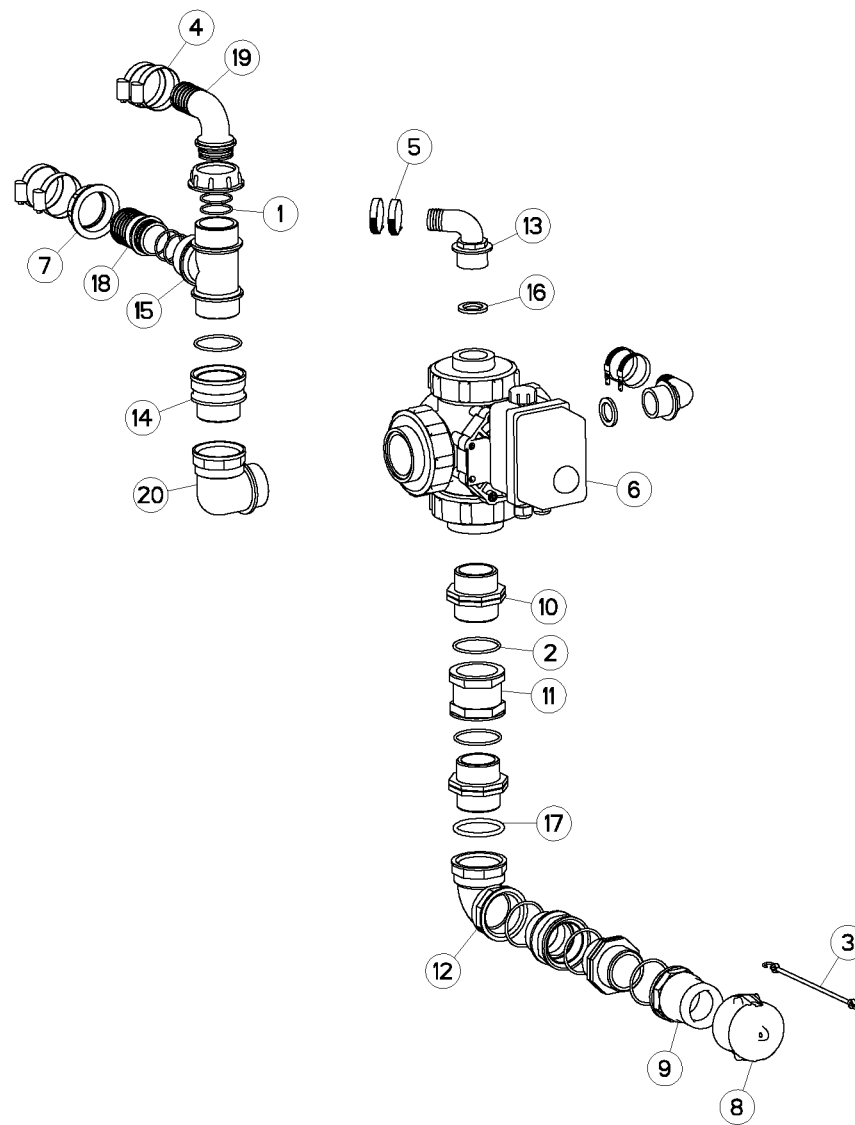
BLOC VANNES 3V 2"

VALVE BLOCK 3V 2"

VENTILBLOCK 3V 2"

BLOCCO VALVOLE 3V 2"

Rep	Nr	Qt	Designation	Description	Bezeichnung	Referenza	Remarque - Remark - Bemerkung - Osservazioni
001	82062935	001	JOINT TORIQUE	O-RING	O-RING	GUARNIZIONE	
002	82065835	005	JOINT TORIQUE VITON VERT	O-RING	O-RING	GUARNIZIONE	
003	82067435	003	JOINT TORIQUE VITON VERT	O-RING	O-RING	GUARNIZIONE	
004	83070063	001	LIEN PVC	PVC CORD	SICHERUNGSBAND	CAVETTO	
005	83090177	004	COLLIER VIS SANS FIN INOX	CLAMP, HOSE	SCHLAUCHSCHELLE	COLLARE	
006	83090181	001	COLLIER	CLAMP, HOSE	SCHLAUCHSCHELLE	COLLARE	
007	83634005	001	ECROU	NUT	MUTTER	DADO	
008	83634015	002	ECROU	NUT	MUTTER	DADO	
009	83637056	001	COUPLEUR	COUPLER	KUPPLER	GIUNTO	
010	83654026	001	REDUCTION	ADAPTER, REDUCER	REDUZIERUNG	RIDUZIONE	
011	83654030	002	REDUCTION	ADAPTER, REDUCER	REDUZIERUNG	RIDUZIONE	
012	83654043	002	MAMELON	UNION	VERBINDUNGSTUCK	NIPPLO	
013	83654049	001	MANCHON	SLEEVE	MUFFE	MANICOTTO	
014	83655005	001	RACCORD	FITTING	VERBINDUNG	RACCORDO	
015	83655031	001	RACCORD	FITTING	VERBINDUNG	RACCORDO	
016	83655091	001	RACCORD	FITTING	VERBINDUNG	RACCORDO	
017	83655101	001	RACCORD	FITTING	VERBINDUNG	RACCORDO	
018	83656004	001	COUDE	FITTING, HYDRAULIC, ELBOW	BOGEN	CURVA	
019	83668075	001	JOINT TORIQUE	O-RING	O-RING	GUARNIZIONE	
020	83673170	001	VANNE	VALVE, SHUT-OFF	SCHIEBER	SARACINESCA	
021	G0410150	001	REDUCTION	ADAPTER, REDUCER	REDUZIERUNG	RIDUZIONE	
022	G0546233	004	JOINT TORIQUE	O-RING	O-RING	GUARNIZIONE	
023	G0546260	001	RACCORD	FITTING	VERBINDUNG	RACCORDO	
024	G9000420	001	VANNE	VALVE, SHUT-OFF	SCHIEBER	SARACINESCA	





METRIS

G40R0251 B

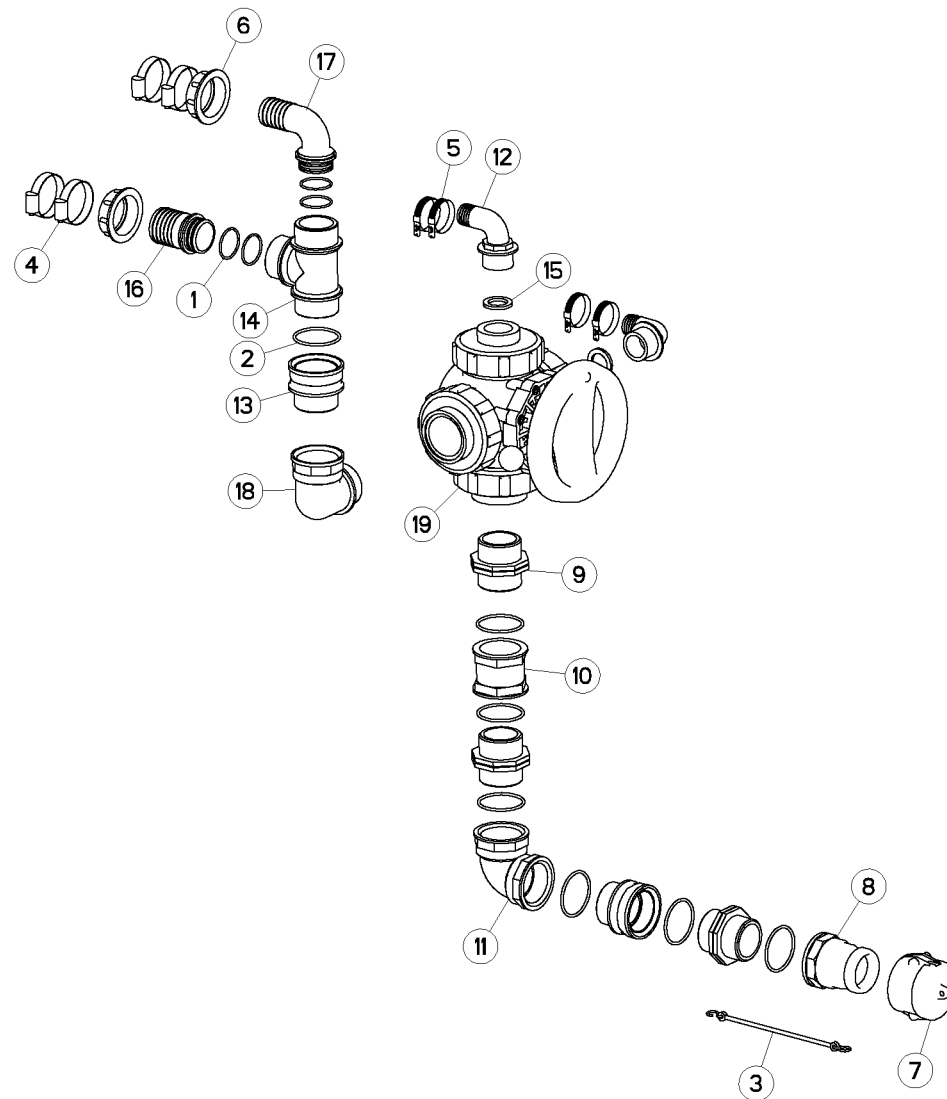
BLOC VANNES 5V 2" ELECTRIQUE

VALVE BLOCK 5V 2" ELECTRIC

VENTILBLOCK 5V 2" ELEKTRISCHE

BLOCCO VALVOLE 5V 2" ELETTRIC

Rep	Nr	Qt	Designation	Description	Bezeichnung	Referenza	Remarque - Remark - Bemerkung - Osservazioni
001	82063941	004	JOINT TORIQUE VITON VERT	O-RING	O-RING	GUARNIZIONE	
002	82065835	006	JOINT TORIQUE VITON VERT	O-RING	O-RING	GUARNIZIONE	
003	83070063	001	LIEN PVC	PVC CORD	SICHERUNGSBAND	CAVETTO	
004	83090177	004	COLLIER VIS SANS FIN INOX	CLAMP, HOSE	SCHLAUCHSCHELLE	COLLARE	
005	83090181	004	COLLIER	CLAMP, HOSE	SCHLAUCHSCHELLE	COLLARE	
006	83610062	001	VANNE	VALVE, SHUT-OFF	SCHIEBER	SARACINESCA	
007	83634012	002	ECROU	NUT	MUTTER	DADO	
008	83637056	001	COUPLEUR	COUPLER	KUPPLER	GIUNTO	
009	83637058	001	ADAPTATEUR	FITTING, HYDRAULIC, ADAPTER	ANBAUELEMENT	ADATTATORE	
010	83654043	003	MAMELON	UNION	VERBINDUNGSTUCK	NIPPLO	
011	83654049	001	MANCHON	SLEEVE	MUFFE	MANICOTTO	
012	83655031	001	RACCORD	FITTING	VERBINDUNG	RACCORDO	
013	83655042	002	RACCORD	FITTING	VERBINDUNG	RACCORDO	
014	83655091	002	RACCORD	FITTING	VERBINDUNG	RACCORDO	
015	83657002	001	TE	FITTING, HYDRAULIC, TEE	T-STUCK	RACCORDO A T	
016	83668028	002	JOINT	SEAL	DICHTUNG	GUARNIZIONE	
017	83668075	001	JOINT TORIQUE	O-RING	O-RING	GUARNIZIONE	
018	83673165	001	RACCORD	FITTING	VERBINDUNG	RACCORDO	
019	83673167	001	RACCORD	FITTING	VERBINDUNG	RACCORDO	
020	G9000560	001	RACCORD	FITTING	VERBINDUNG	RACCORDO	





METRIS

G40R0252 B

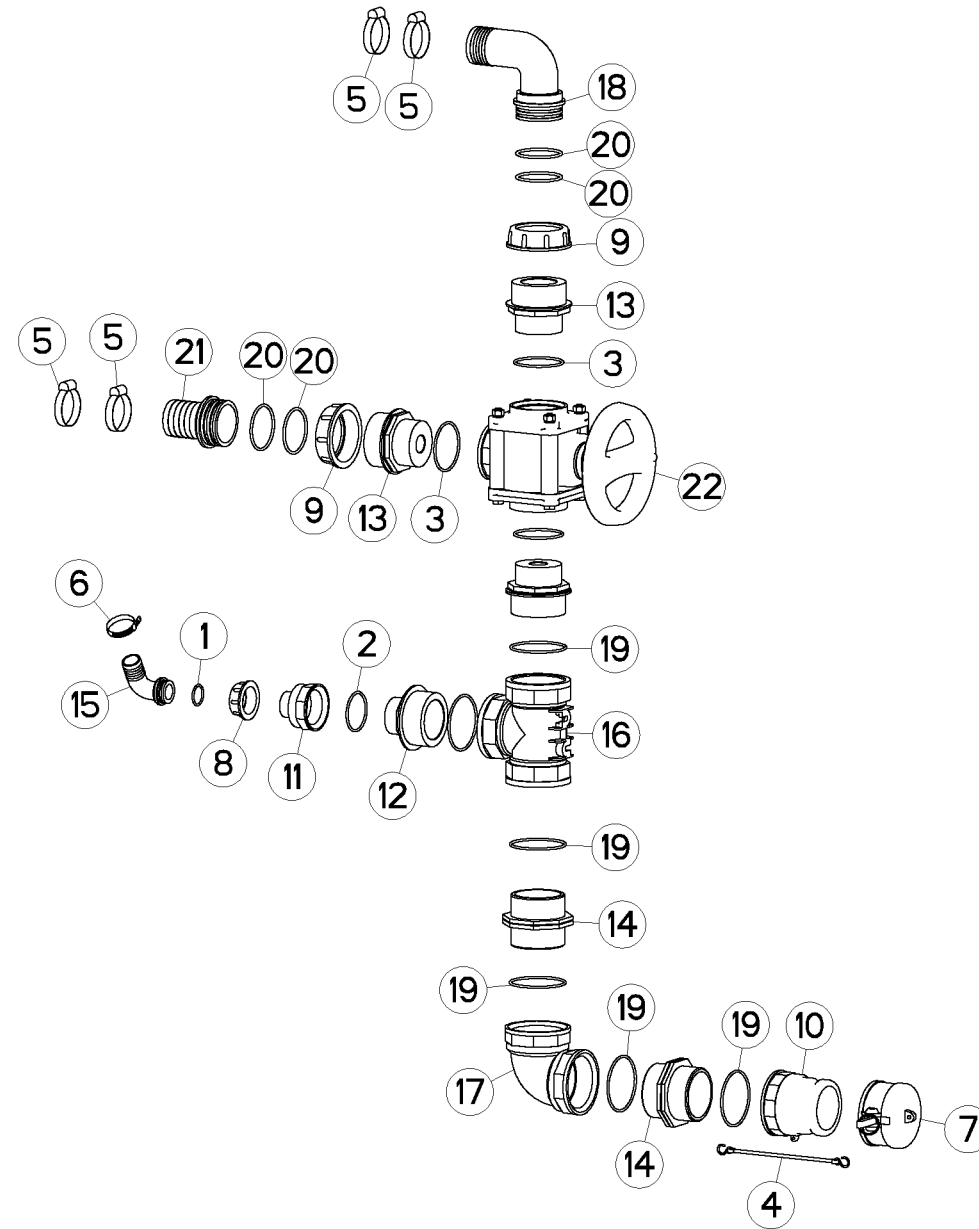
BLOC VANNES 5V 2"

VALVE BLOCK 5V 2"

VENTILBLOCK 5V 2"

BLOCCO VALVOLE 5V 2"

Rep	Nr	Qt	Designation	Description	Bezeichnung	Referenza	Remarque - Remark - Bemerkung - Osservazioni
001	82063941	004	JOINT TORIQUE VITON VERT	O-RING	O-RING	GUARNIZIONE	
002	82065835	007	JOINT TORIQUE VITON VERT	O-RING	O-RING	GUARNIZIONE	
003	83070063	001	LIEN PVC	PVC CORD	SICHERUNGSBAND	CAVETTO	
004	83090177	004	COLLIER VIS SANS FIN INOX	CLAMP, HOSE	SCHLAUCHSCHELLE	COLLARE	
005	83090181	004	COLLIER	CLAMP, HOSE	SCHLAUCHSCHELLE	COLLARE	
006	83634012	002	ECROU	NUT	MUTTER	DADO	
007	83637056	001	COUPLEUR	COUPLER	KUPPLER	GIUNTO	
008	83637058	001	ADAPTATEUR	FITTING, HYDRAULIC, ADAPTER	ANBAUELEMENT	ADATTATORE	
009	83654043	003	MAMELON	UNION	VERBINDUNGSTUCK	NIPPLO	
010	83654049	001	MANCHON	SLEEVE	MUFFE	MANICOTTO	
011	83655031	001	RACCORD	FITTING	VERBINDUNG	RACCORDO	
012	83655042	002	RACCORD	FITTING	VERBINDUNG	RACCORDO	
013	83655091	002	RACCORD	FITTING	VERBINDUNG	RACCORDO	
014	83657002	001	TE	FITTING, HYDRAULIC, TEE	T-STUCK	RACCORDO A T	
015	83668028	002	JOINT	SEAL	DICHTUNG	GUARNIZIONE	
016	83673165	001	RACCORD	FITTING	VERBINDUNG	RACCORDO	
017	83673167	001	RACCORD	FITTING	VERBINDUNG	RACCORDO	
018	G9000560	001	RACCORD	FITTING	VERBINDUNG	RACCORDO	
019	G9001830	001	PREMONTAGE	PRE-ASSEMBLY			





METRIS

G40R0248 B

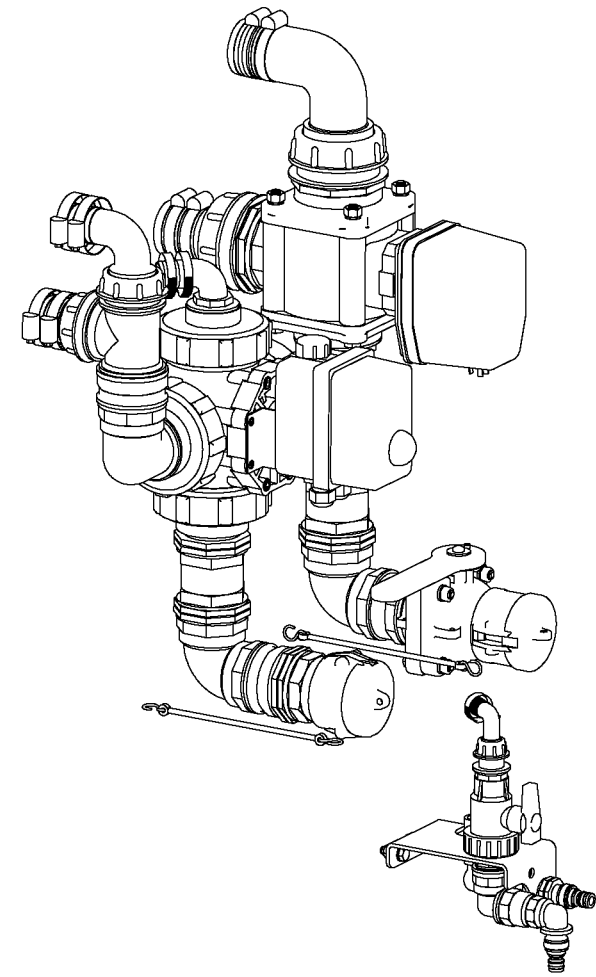
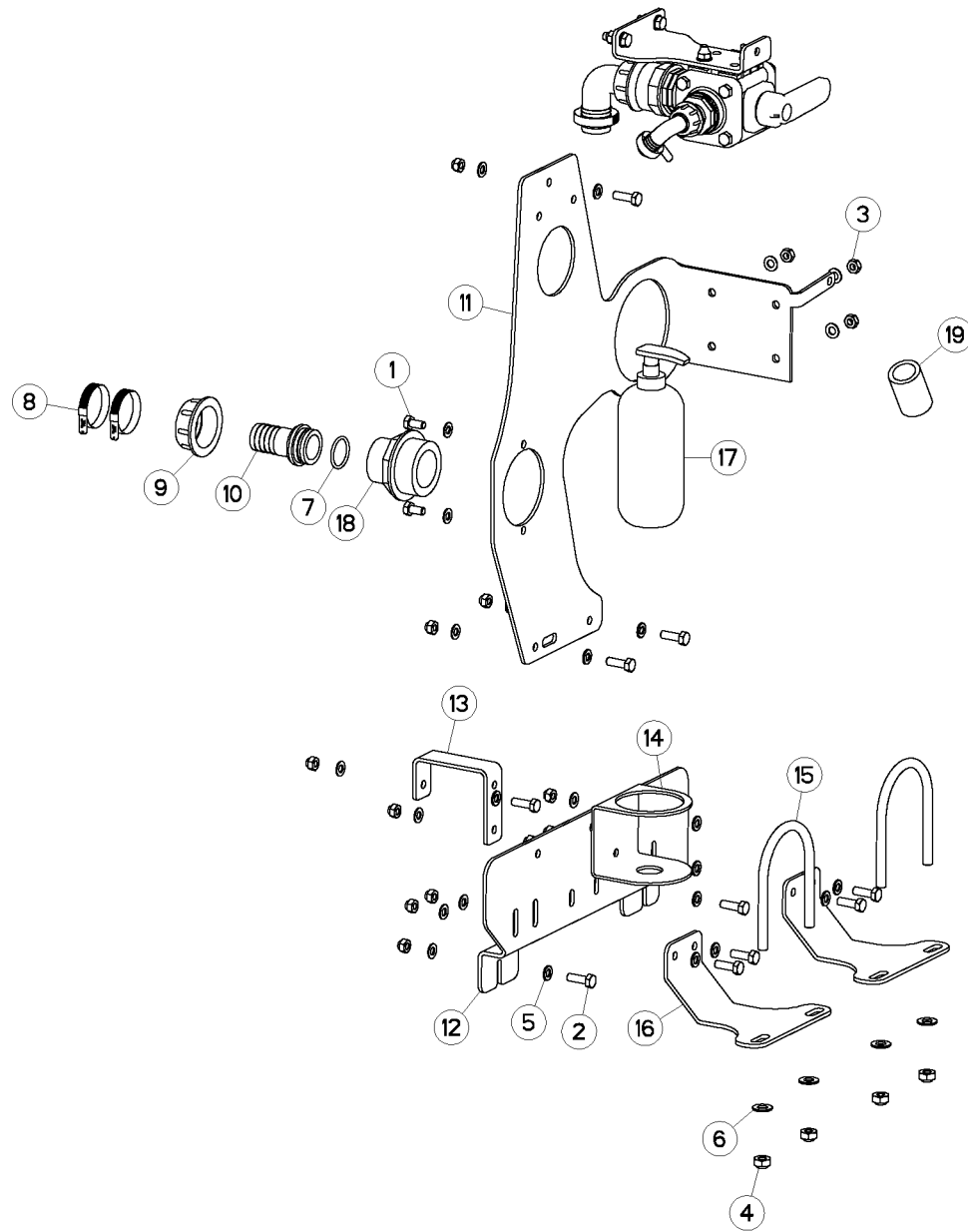
BLOC VANNES 3V 2"1/2 MANU 3"

VALVE BLOCK 3V 2"1/2 MANU 3"

VENTILBLOCK 3V 2"1/2 MANU 3"

BLOCCO VALVOLE 3V 2"1/2 MANU 3

Rep	Nr	Qt	Designation	Description	Bezeichnung	Referenza	Remarque - Remark - Bemerkung - Osservazioni
001	82062935	001	JOINT TORIQUE	O-RING	O-RING	GUARNIZIONE	
002	82065835	001	JOINT TORIQUE VITON VERT	O-RING	O-RING	GUARNIZIONE	
003	82067435	003	JOINT TORIQUE VITON VERT	O-RING	O-RING	GUARNIZIONE	
004	83070063	001	LIEN PVC	PVC CORD	SICHERUNGSBAND	CAVETTO	
005	83090177	004	COLLIER VIS SANS FIN INOX	CLAMP, HOSE	SCHLAUCHSCHELLE	COLLARE	
006	83090181	001	COLLIER	CLAMP, HOSE	SCHLAUCHSCHELLE	COLLARE	
007	83600179	001	COUPLEUR	COUPLER	KUPPLER	GIUNTO	
008	83634005	001	ECROU	NUT	MUTTER	DADO	
009	83634015	002	ECROU	NUT	MUTTER	DADO	
010	83637062	001	ADAPTATEUR	FITTING, HYDRAULIC, ADAPTER	ANBAUELEMENT	ADATTATORE	
011	83654007	001	REDUCTION	ADAPTER, REDUCER	REDUZIERUNG	RIDUZIONE	
012	83654029	001	REDUCTION	ADAPTER, REDUCER	REDUZIERUNG	RIDUZIONE	
013	83654030	003	REDUCTION	ADAPTER, REDUCER	REDUZIERUNG	RIDUZIONE	
014	83654046	002	MAMELON	UNION	VERBINDUNGSTUCK		
015	83655005	001	RACCORD	FITTING	VERBINDUNG	RACCORDO	
016	83655087	001	RACCORD	FITTING	VERBINDUNG	RACCORDO	
017	83656001	001	COUDE	FITTING, HYDRAULIC, ELBOW	BOGEN	CURVA	
018	83656004	001	COUDE	FITTING, HYDRAULIC, ELBOW	BOGEN	CURVA	
019	83673116	006	JOINT TORIQUE	O-RING	O-RING	GUARNIZIONE	
020	G0546233	004	JOINT TORIQUE	O-RING	O-RING	GUARNIZIONE	
021	G0546260	001	RACCORD	FITTING	VERBINDUNG	RACCORDO	
022	G9000420	001	VANNE	VALVE, SHUT-OFF	SCHIEBER	SARACINESCA	



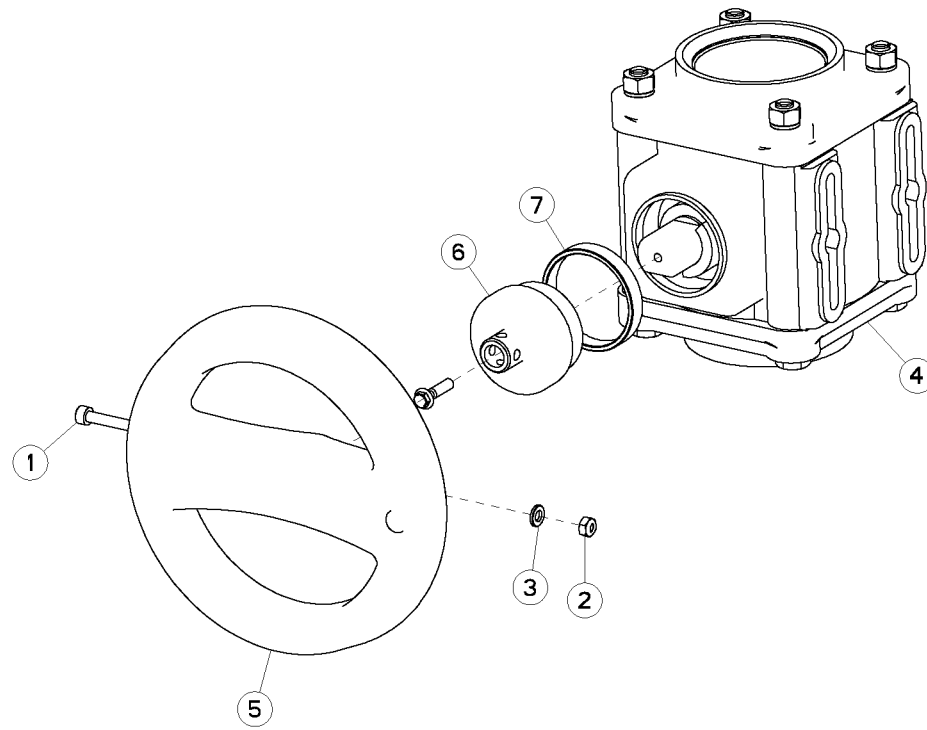


METRIS

G40R0226 B

BLOC VANNES 3V ELE+5VMANU2"PM2 VALVE BLOCK 3V ELE+5VMANU2"PM2 VENTILBLOCK 3V ELE+5VMANU2"PM2 BLOCCO VALVOLE 3V ELE+5VMANU2"PM2

Rep	Nr	Qt	Designation	Description	Bezeichnung	Referenza	Remarque - Remark - Bemerkung - Osservazioni
001	80060817	002	VIS TETE HEXAGONALE INOX	HEXAGON HEAD SCREW INOX	SECHSKANTSCHRAUBE INOX	VITE A TESTA ESAGONALE INOX	
002	80060828	010	VIS TETE HEXAGONALE INOX	HEXAGON HEAD SCREW INOX	SECHSKANTSCHRAUBE INOX	VITE A TESTA ESAGONALE INOX	
003	80200831	016	ECROU HEXAG.AUTOFREINE INOX	SELF-LOCKING NUT INOX	SELBSTSICHERNDE MUTTER INOX	DADO AUTOBLOCCANTE INOX	
004	80201049	004	ECROU HEX.BAS AUTOFR.INOX	SELF-LOCKING NUT INOX	SELBSTSICHERNDE MUTTER INOX	DADO AUTOBLOCCANTE INOX	
005	80250800	030	RONDELLE PLATE INOX A2	PLAIN WASHER INOX A2	SCHEIBE INOX A2	RONDELLA PIATTALA INOX A2	
006	80251005	004	RONDELLE PLATE INOX A2	PLAIN WASHER INOX A2	SCHEIBE INOX A2	RONDELLA PIATTALA INOX A2	
007	82062935	001	JOINT TORIQUE	O-RING	O-RING	GUARNIZIONE	
008	83090181	002	COLLIER	CLAMP, HOSE	SCHLAUCHSCHELLE	COLLARE	
009	83634005	001	ECROU	NUT	MUTTER	DADO	
010	83655006	001	RACCORD	FITTING	VERBINDUNG	RACCORDO	
011	G4102140	001	SUPPORT	SUPPORT	TRAEGER	SUPPORTO	
012	G4102150	001	SUPPORT	SUPPORT	TRAEGER	SUPPORTO	
013	G4102670	001	TOLE	SHEET	BLECH	TELA	
014	G4102680	001	SUPPORT	SUPPORT	TRAEGER	SUPPORTO	
015	G4102710	002	ETRIER	U-BOLT	BUEGEL	CAVALLOTTO	
016	G4103960	002	SUPPORT	SUPPORT	TRAEGER	SUPPORTO	
017	G9000430	001	RESERVOIR	RESERVOIR	TANK	SERBATOIO	
018	G9001710	001	REDUCTION	ADAPTER, REDUCER	REDUZIERUNG	RIDUZIONE	
019	G9100060	001	TUYAU	PIPE	ROHR	TUBO	





METRIS

G40R0383 A

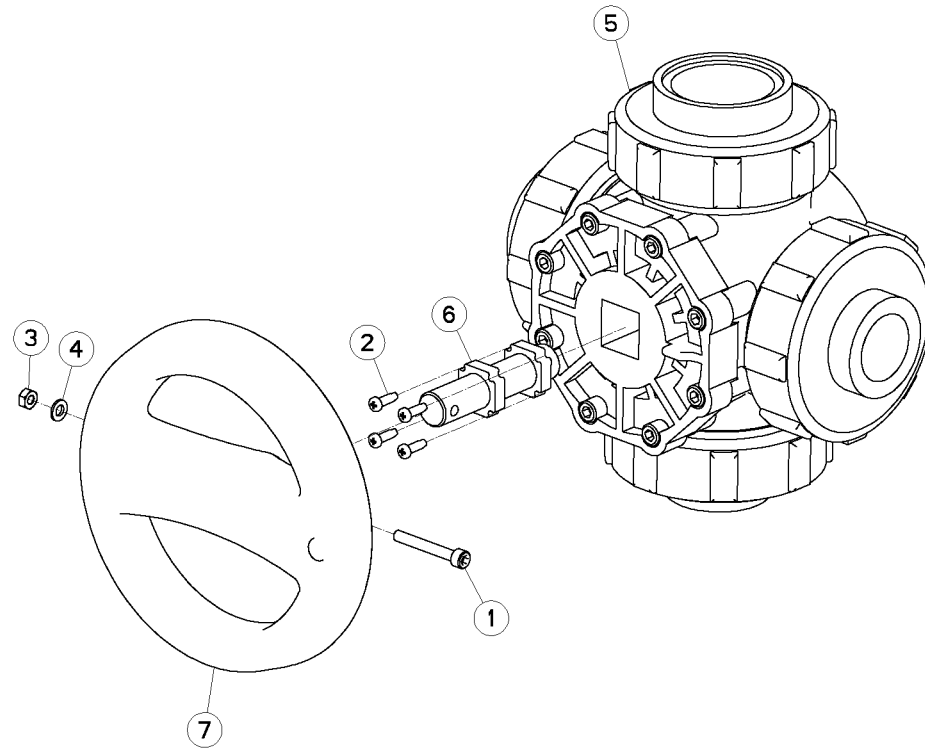
VANNES MANUELLES 3V (VOLANT)

MANUAL VALVES 3V (FLYWHEEL)

HANDBETAETIGTE VENTILE 3V (SCH

VALVOLE MANUALI 3V (##FLYWHEE

Rep	Nr	Qt	Designation	Description	Bezeichnung	Referenza	Remarque - Remark - Bemerkung - Osservazioni
001	80080646	001	VIS TETE CYL.SIX P.CRE.INOX	HEX.SOCKET HEAD CAP SCREW INOX	ZYLINDERSCHR.INNENSECHSK.INOX	VITE A TESTA CILINDRICA INOX	
002	80200631	001	ECROU HEX.BAS AUTOFR.INOX	SELF-LOCKING NUT INOX	SELBSTSICHERNDE MUTTER INOX	DADO AUTOBLOCCANTE INOX	
003	80250601	001	RONDELLE PLATE INOX A2	PLAIN WASHER INOX A2	SCHEIBE INOX A2	RONDELLA PIATTALA INOX A2	
004	83610032	001	VANNE	VALVE, SHUT-OFF	SCHIEBER	SARACINESCA	
005	G3103180	001	VOLANT	WHEEL, HAND	LENKRAD	VOLANTE	
006	G4107580	001	INDEXAGE	INDICATOR, ASSEMBLY	INDEX		
007	G4107840	001	CALE	SHIM	DISTANZPLATTE	SPESSORE	





METRIS

G40R0384 A

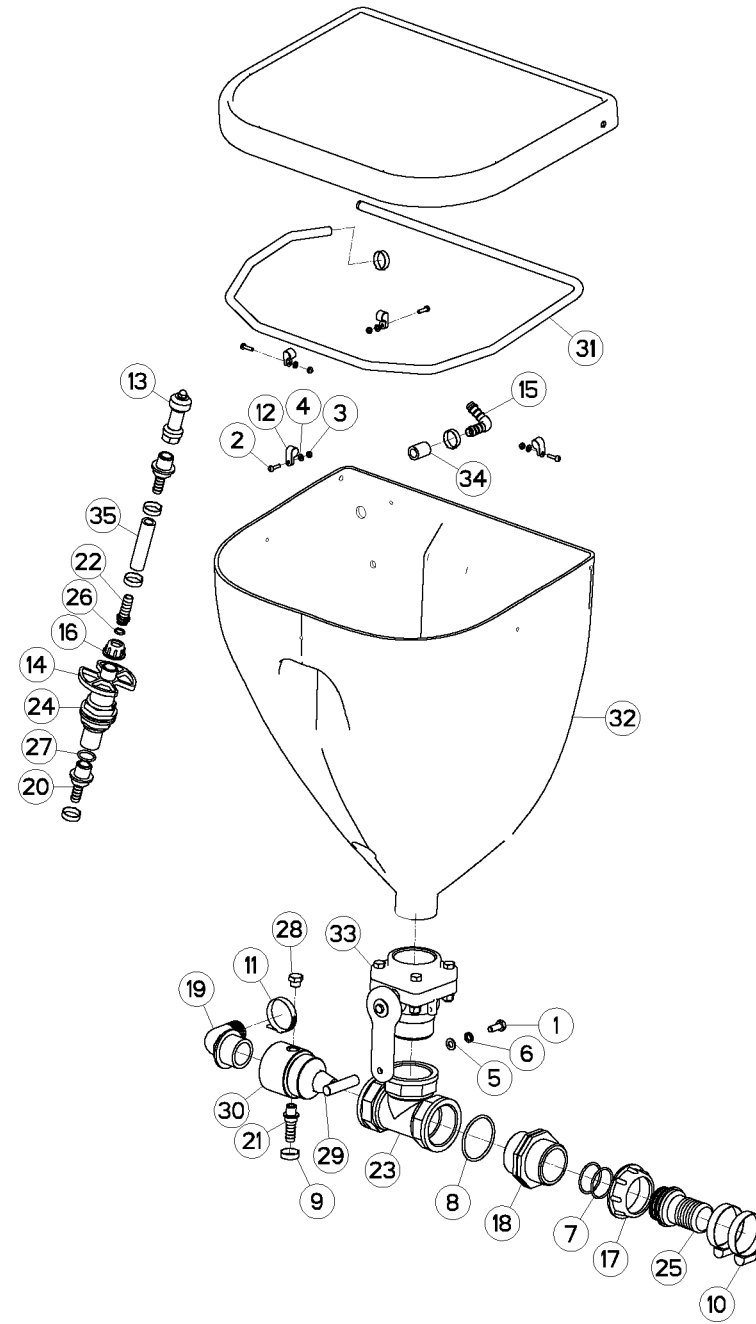
VANNES MANUELLES SAFI (VOLANT)

MANUAL VALVES SAFI (FLYWHEEL)

HANDBETAETIGTE VENTILE SAFI (S

VALVOLE MANUALI SAFI (##FLYWHI

Rep	Nr	Qt	Designation	Description	Bezeichnung	Referenza	Remarque - Remark - Bemerkung - Osservazioni
001	80080646	001	VIS TETE CYL.SIX P.CRE.INOX	HEX.SOCKET HEAD CAP SCREW INOX	ZYLINDERSCHR.INNENSECHSK.INOX	VITE A TESTA CILINDRICA INOX	
002	80090402	004	VIS AUTO-PERCEUSE				
003	80200631	001	ECROU HEX.BAS AUTOFR.INOX	SELF-LOCKING NUT INOX	SELBSTSICHERNDE MUTTER INOX	DADO AUTOBLOCCANTE INOX	
004	80250601	001	RONDELLE PLATE INOX A2	PLAIN WASHER INOX A2	SCHEIBE INOX A2	RONDELLA PIATTALA INOX A2	
005	83610068	001	VANNE	VALVE, SHUT-OFF	SCHIEBER	SARACINESCA	
006	G3000860	001	ENTRAINEUR	DRIVE PIECE	MITNEHMER	FLANGIA	
007	G3103180	001	VOLANT	WHEEL, HAND	LENKRAD	VOLANTE	





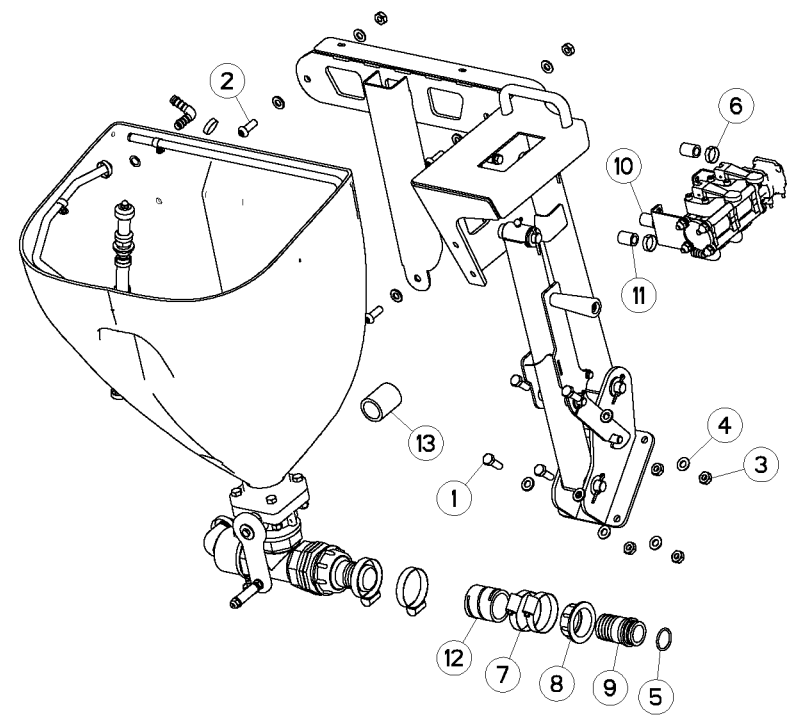
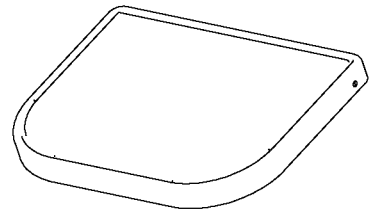
CUVE INCORPORATEUR

HOPPER INCORPORATOR

BEHAELTER EINSPELSCHLEUSE

CUBA INCORPORATORE

Rep	Nr	Qt	Designation	Description	Bezeichnung	Referenza	Remarque - Remark - Bemerkung - Osservazioni
001	80060821	001	VIS TETE HEXAGONALE INOX	HEXAGON HEAD SCREW INOX	SECHSKANTSCHRAUBE INOX	VITE A TESTA ESAGONALE INOX	
002	80100404	004	VIS RL S INOX	MUSHROOM HEAD SCREW INOX	FLACHRUNDSCHRAUBE INOX	VITE INOX	
003	80200441	004	ECROU HEX.BAS AUTOFR.INOX	SELF-LOCKING NUT INOX	SELBSTSICHERNDE MUTTER INOX	DADO AUTOBLOCCANTE INOX	
004	80250410	004	RONDELLE PLATE INOX A2	PLAIN WASHER INOX A2	SCHEIBE INOX A2	RONDELLA PIATTALA INOX A2	
005	80250800	001	RONDELLE PLATE INOX A2	PLAIN WASHER INOX A2	SCHEIBE INOX A2	RONDELLA PIATTALA INOX A2	
006	80270883	001	RONDELLE GROWER INOX A2	WASHER, SPRING LOCK INOX A2	FEDERRING INOX A2	RONDELLA GROWER INOX A2	
007	82063941	002	JOINT TORIQUE VITON VERT	O-RING	O-RING	GUARNIZIONE	
008	82065835	001	JOINT TORIQUE VITON VERT	O-RING	O-RING	GUARNIZIONE	
009	83090172	006	COLLIER 1 OREILLE INOX				
010	83090177	002	COLLIER VIS SANS FIN INOX	CLAMP, HOSE	SCHLAUCHSCHELLE	COLLARE	
011	83090181	001	COLLIER	CLAMP, HOSE	SCHLAUCHSCHELLE	COLLARE	
012	83233226	004	CLIPS SERRE-CABLE	CABLE CLAMP	KABELKLEMME	MORSA PER FILO ELETTRICO	
013	83600292	001	TETE	HEAD	KOPFF		
014	83600295	001	VALVE	VALVE	VENTIL	VALVOLA	
015	83600304	001	TUBULURE	PIPE	STUTZEN	TUBATURA	
016	83634010	001	ECROU	NUT	MUTTER	DADO	
017	83634012	001	ECROU	NUT	MUTTER	DADO	
018	83654043	001	MAMELON	UNION	VERBINDUNGSTUCK	NIPPLO	
019	83655042	001	RACCORD	FITTING	VERBINDUNG	RACCORDO	
020	83655066	002	RACCORD	FITTING	VERBINDUNG	RACCORDO	
021	83655085	001	RACCORD	FITTING	VERBINDUNG	RACCORDO	
022	83655086	001	RACCORD	FITTING	VERBINDUNG	RACCORDO	
023	83655101	001	RACCORD	FITTING	VERBINDUNG	RACCORDO	
024	83668026	001	JOINT	SEAL	DICHTUNG	GUARNIZIONE	
025	83673166	001	RACCORD	FITTING	VERBINDUNG	RACCORDO	
026	82060925	001	JOINT TORIQUE	O-RING	O-RING	GUARNIZIONE	
027	G0225530	001	JOINT	SEAL	DICHTUNG	GUARNIZIONE	
028	G0555800	001	BOUCHON	PLUG	VERSCHLUSSSCHRAUBE	TAPPO	
029	G0560103	001	PION	PIN, GUIDE	PABSTIFT		
030	G0769437	001	BUSE	NOZZLE	DUESE	UGELLO	
031	G4001580	001	RAMPE	BOOM, SPRAYER	RAMPE	BARRA	
032	G4200170	001	CUVE	TANK	BEHAELTER	CUBA	
033	G9001400	001	VANNE	VALVE, SHUT-OFF	SCHIEBER	SARACINESCA	
034	G9100200	001	TUYAU	PIPE	ROHR	TUBO	
035	G9100210	001	TUYAU	PIPE	ROHR	TUBO	





METRIS

G40R0238 B

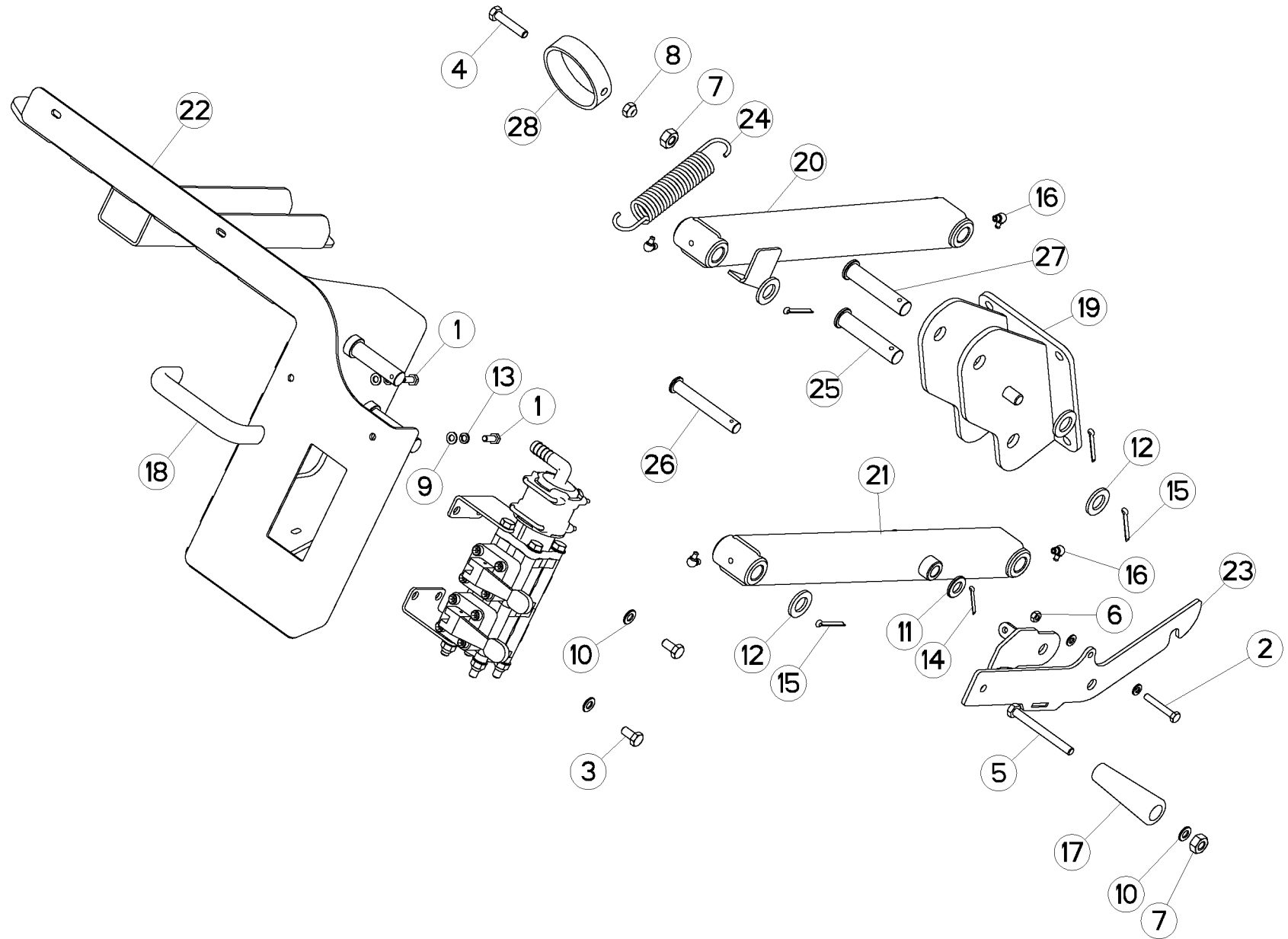
INCORPORATEUR METRIS

INCORPORATOR METRIS

EINSPUELSCHLEUSE METRIS

INCORPORATORE METRIS

Rep	Nr	Qt	Designation	Description	Bezeichnung	Referenza	Remarque - Remark - Bemerkung - Osservazioni
001	80061031	004	VIS TETE HEXAGONALE INOX	HEXAGON HEAD SCREW INOX	SECHSKANTSCHRAUBE INOX	VITE A TESTA ESAGONALE INOX	
002	80191031	003	VIS T.CY.BOMB.SIX P.C.INOX				
003	80201049	007	ECROU HEX.BAS AUTOFR.INOX	SELF-LOCKING NUT INOX	SELBSTSICHERNDE MUTTER INOX	DADO AUTOBLOCCANTE INOX	
004	80251005	014	RONDELLE PLATE INOX A2	PLAIN WASHER INOX A2	SCHEIBE INOX A2	RONDELLA PIATTALA INOX A2	
005	82062935	001	JOINT TORIQUE	O-RING	O-RING	GUARNIZIONE	
006	83090172	004	COLLIER 1 OREILLE INOX				
007	83090177	002	COLLIER VIS SANS FIN INOX	CLAMP, HOSE	SCHLAUCHSCHELLE	COLLARE	
008	83634005	001	ECROU	NUT	MUTTER	DADO	
009	83655060	001	RACCORD	FITTING	VERBINDUNG	RACCORDO	
010	G9100220	001	TUYAU	PIPE	ROHR	TUBO	
011	G9100230	002	TUYAU	PIPE	ROHR	TUBO	
012	G9100240	001	TUYAU	PIPE	ROHR	TUBO	
013	G9100250	001	TUYAU	PIPE	ROHR	TUBO	





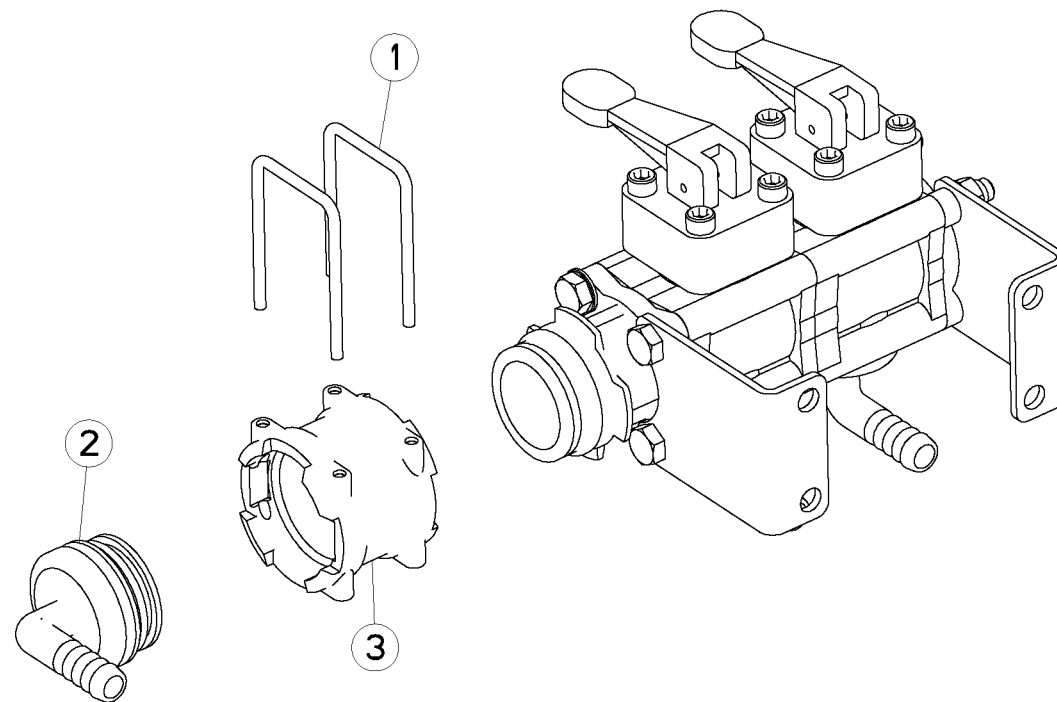
SUPPORT INCORPORATEUR

SUPPORT INCORPORATOR

HALTERUNG EINSPIUELSCHLEUSE

SUPPORTO INCORPORATORE

Rep	Nr	Qt	Designation	Description	Bezeichnung	Referenza	Remarque - Remark - Bemerkung - Osservazioni
001	80060618	002	VIS TETE HEXAGONALE INOX	HEXAGON HEAD SCREW INOX	SECHSKANTSCHRAUBE INOX	VITE A TESTA ESAGONALE INOX	
002	80060641	001	VIS TETE HEXAGONALE INOX	HEXAGON HEAD SCREW INOX	SECHSKANTSCHRAUBE INOX	VITE A TESTA ESAGONALE INOX	
003	80060817	002	VIS TETE HEXAGONALE INOX	HEXAGON HEAD SCREW INOX	SECHSKANTSCHRAUBE INOX	VITE A TESTA ESAGONALE INOX	
004	80060842	001	VIS TETE HEXAGONALE INOX	HEXAGON HEAD SCREW INOX	SECHSKANTSCHRAUBE INOX	VITE A TESTA ESAGONALE INOX	
005	80060880	001	VIS TETE HEXAGONALE INOX	HEXAGON HEAD SCREW INOX	SECHSKANTSCHRAUBE INOX	VITE A TESTA ESAGONALE INOX	
006	80200631	001	ECROU HEX.BAS AUTOFR.INOX	SELF-LOCKING NUT INOX	SELBSTSICHERNDE MUTTER INOX	DADO AUTOBLOCCANTE INOX	
007	80200804	002	ECROU HEXAGONAL INOX	HEXAGON NUT INOX	SECHSKANTMUTTER INOX	DADO INOX	
008	80200831	001	ECROU HEXAG.AUTOFREINE INOX	SELF-LOCKING NUT INOX	SELBSTSICHERNDE MUTTER INOX	DADO AUTOBLOCCANTE INOX	
009	80250601	004	RONDELLE PLATE INOX A2	PLAIN WASHER INOX A2	SCHEIBE INOX A2	RONDELLA PIATTALA INOX A2	
010	80250800	003	RONDELLE PLATE INOX A2	PLAIN WASHER INOX A2	SCHEIBE INOX A2	RONDELLA PIATTALA INOX A2	
011	80251200	001	RONDELLE PLATE INOX A2	PLAIN WASHER INOX A2	SCHEIBE INOX A2	RONDELLA PIATTALA INOX A2	
012	80251601	004	RONDELLE PLATE INOX A2	PLAIN WASHER INOX A2	SCHEIBE INOX A2	RONDELLA PIATTALA INOX A2	
013	80270683	002	RONDELLE GROWER INOX A2	WASHER, SPRING LOCK INOX A2	FEDERRING INOX A2	RONDELLA GROWER INOX A2	
014	80500231	001	GOUPILLE FENDUE INOX				
015	80500337	004	GOUPILLE FENDUE INOX	SPLIT PIN INOX A2	SPLINT INOX A2	COPPIGLIA INOX A2	
016	82200603	004	GRAISSEUR FE/ZNXC3	GREASE NIPPLE FE/ZNXC3	SCHMIERNIPPEL FE/ZNXC3	INGRASSATORE FE/ZNXC3	
017	83050005	001	POIGNEE	HANDLE	HANDGRIFF	MANIGLIA	
018	83050029	001	POIGNEE PLASTIFIEE EM				
019	G4001280	001	CHAPE	CLEVIS	GABEL	FORCELLA	
020	G4001290	001	BIELLETTE	LINK	SHUBSTANGE		
021	G4001300	001	BIELLETTE	LINK	SHUBSTANGE		
022	G4001310	001	SUPPORT	SUPPORT	TRAEGER	SUPPORTO	
023	G4001320	001	CHAPE	CLEVIS	GABEL	FORCELLA	
024	G4102960	001	RESSORT DE TRACTION	SPRING, EXTENSION	ZUGFEDER	MOLLA DI TRAZIONE	
025	G4103230	001	AXE	PIN	ACHSE	ASSE	
026	G4103240	001	AXE	PIN	ACHSE	ASSE	
027	G4103500	001	AXE	PIN	ACHSE	ASSE	
028	G4103530	001	SUPPORT	SUPPORT	TRAEGER	SUPPORTO	





METRIS

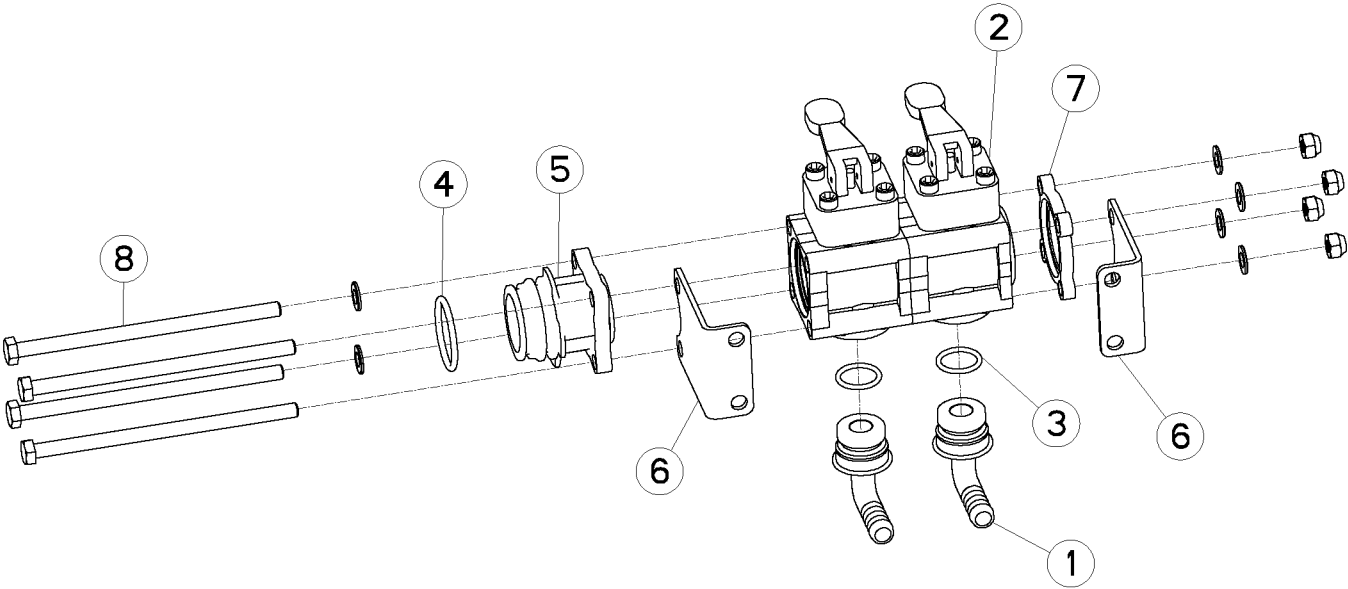
G40R0230 A

VANNES MANUELLES INCORPORATEUR MANUAL VALVES INCORPORATOR

HANDBETAETIGTE VENTILE EINSPUENGE

VALVOLE MANUALI INCORPORATE

Rep	Nr	Qt	Designation	Description	Bezeichnung	Referenza	Remarque - Remark - Bemerkung - Osservazioni
001	83673071	002	BRIDE	CLAMP	BUEGEL	STAFFA	
002	83673086	001	RACCORD	FITTING	VERBINDUNG	RACCORDO	
003	83673093	001	MANCHON	SLEEVE	MUFFE	MANICOTTO	





METRIS

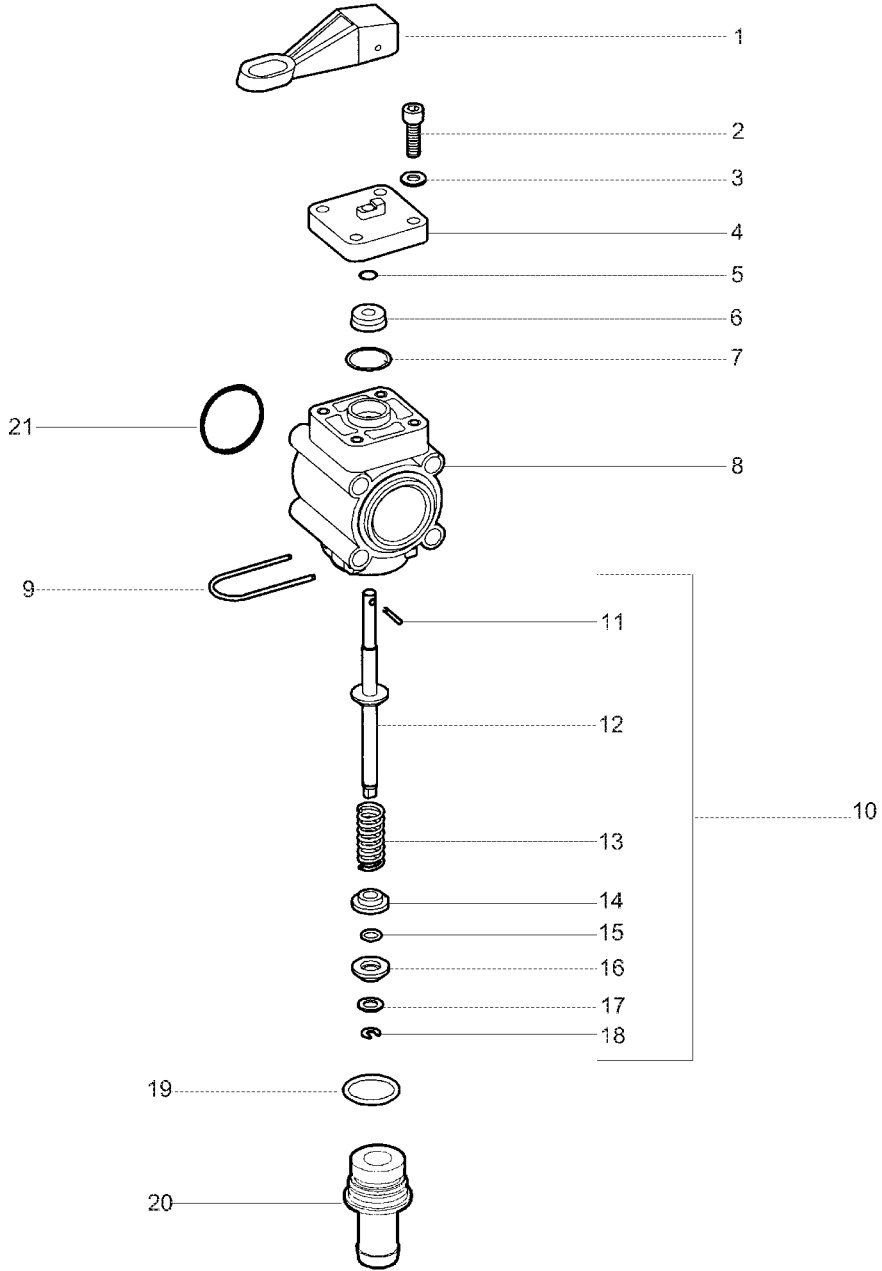
G40R0357 A

VANNES MANUELLES INCORPORATEUR MANUAL VALVES INCORPORATOR

HANDBETAETIGTE VENTILE EINSPIE

VALVOLE MANUALI INCORPORATO

Rep	Nr	Qt	Designation	Description	Bezeichnung	Referenza	Remarque - Remark - Bemerkung - Osservazioni
001	83600308	002	RACCORD	FITTING	VERBINDUNG	RACCORDO	
002	83610045	002	VANNE	VALVE, SHUT-OFF	SCHIEBER	SARACINESCA	
003	83668050	002	JOINT TORIQUE	O-RING	O-RING	GUARNIZIONE	
004	83673077	001	JOINT TORIQUE	O-RING	O-RING	GUARNIZIONE	
005	83673096	001	BRIDE	CLAMP	BUEGEL	STAFFA	
006	A622298	002	TE FIX.VANNE ARAG463011.100	BRACKET	LACHE	PIASTRA FISSAGGIO VALVOLA	
007	A6000420	001	FOND DE VANNE FEMELLE	GUARD FIXING PLATE	SCHIEBERBODEN	FONDO-VALVOLA	
008	G9000020	001	KIT ASSEMBLAGE 2 VANNES	SET VALVE, SHUT-OFF	SCHIEBERSATZ	SARACINESCA KIT	





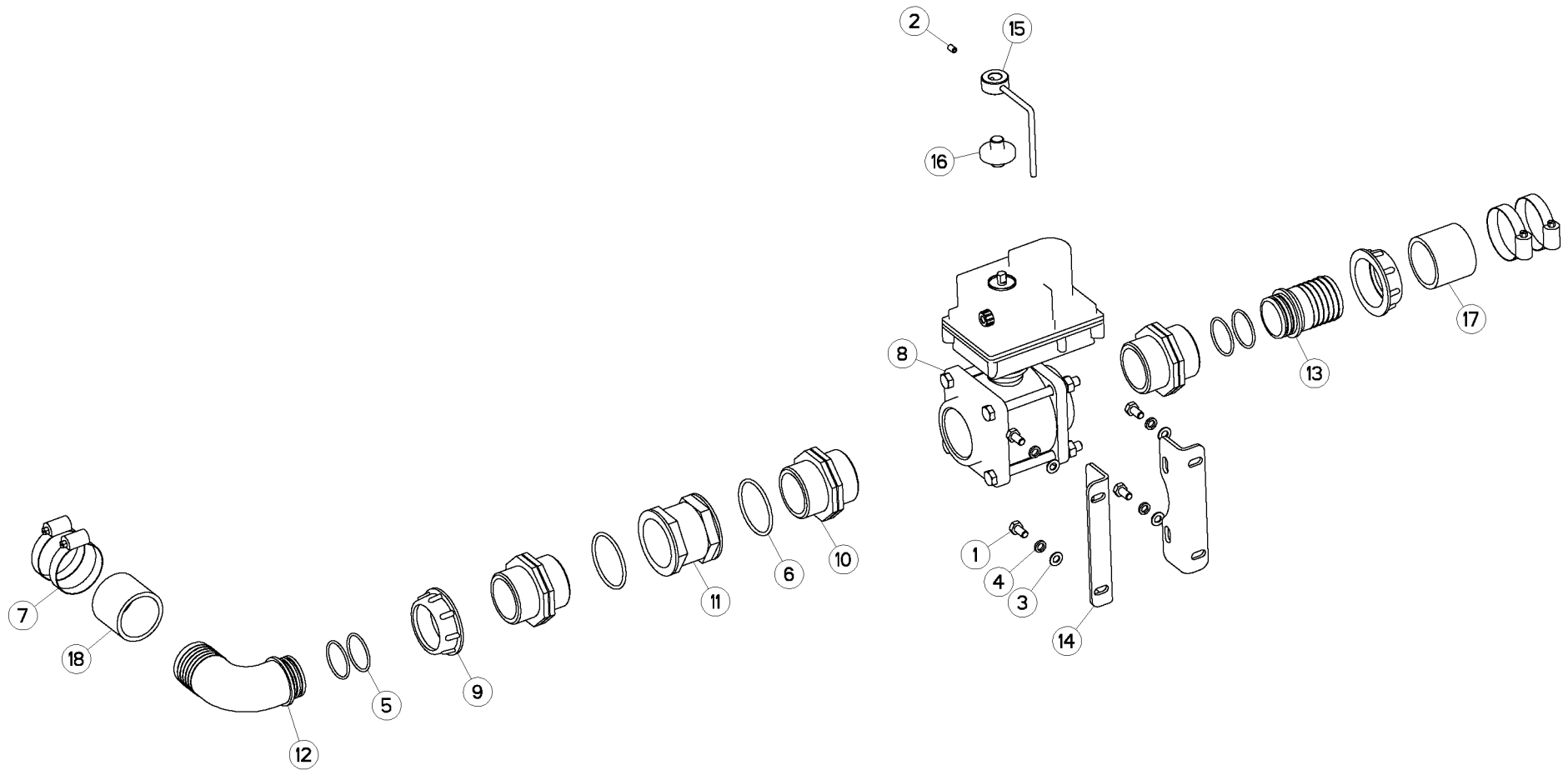
VANNES MANUELLES

MANUAL VALVES

HANDBETAETIGTE VENTILE

VALVOLE MANUALI

Rep	Nr	Qt	Designation	Description	Bezeichnung	Referenza	Remarque - Remark - Bemerkung - Osservazioni
001	83600265	001	MANETTE	LEVER	HEBEL		
002	83600253	004	VIS	SCREW	SCHRAUBE	VITE	
003	A6000342	004	RONDELLE PLATE	RONDELLE PLATE	SCHEIBE	RONDELLA PIATTA	
004	G0405928	001	COUVERCLE	LID	DECKEL	COPERCHIO	
005	G0460140	001	JOINT TORIQUE	O-RING	O-RING	GUARNIZIONE	
006	G0405926	001	GARNITURE	PACKING	DICHTUNGSSCHNUR	GUARNIZIONE	
007	83668054	007	JOINT TORIQUE	O-RING	O-RING	GUARNIZIONE	
008	A6000596	001	CORPS DE CLAPET SIMPLE			CORPO	
009	G0405923	001	EPINGLE	PIN, COTTER, HAIRPIN	FEDERSTECKER		
010	B0000783	001	TIGE	STEM	STANGE	STELO	
011	G0460020	001	GOUPILLE				
012	G0460141	001	TIGE	STEM	STANGE	STELO	
013	A6000250	001	RESSORT	SPRING	FEDER	MOLLA	
014	G0460142	001	POUSSE RESSORT				
015	83668053	001	JOINT TORIQUE	O-RING	O-RING	GUARNIZIONE	
016	83600266	001	OBTURATEUR	COVER, PLUG	VERSCHLUSS	OTTURATORE	
017	83600247	001	RONDELLE	WASHER	SCHEIBE	RONDELLA PIATTA	
018	83600240	001	CIRCLIP	SNAP RING	SICHERUNGSRING	ANELLO ELASTICO	
019	83668050	001	JOINT TORIQUE	O-RING	O-RING	GUARNIZIONE	
020	G0405941	001	TUBULURE	PIPE	STUTZEN	TUBATURA	
021	82063941	001	JOINT TORIQUE VITON VERT	O-RING	O-RING	GUARNIZIONE	





METRIS

G40R0200 B

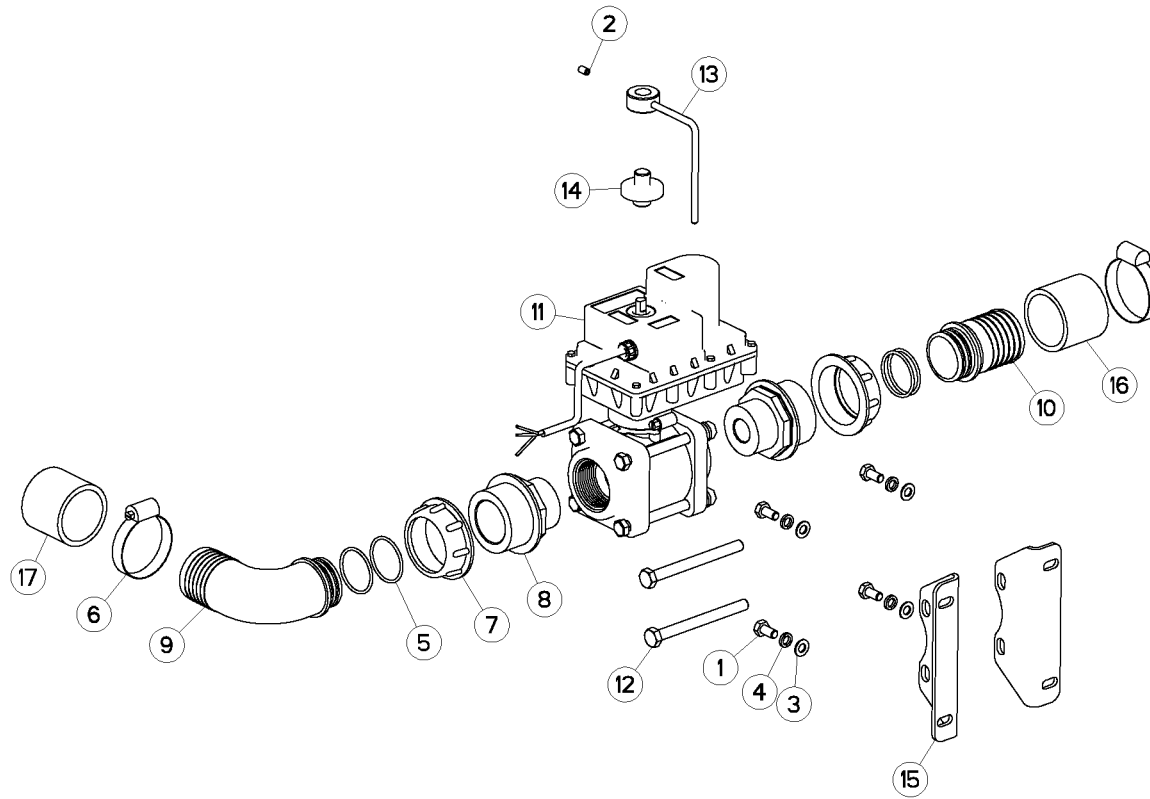
VANNE DE REGULATION PC METRIS

REGULATION VALVE PC METRIS

REGELVENTIL PC METRIS

VALVOLA DI REGOLAZIONE PC MET

Rep	Nr	Qt	Designation	Description	Bezeichnung	Referenza	Remarque - Remark - Bemerkung - Osservazioni
001	80060817	004	VIS TETE HEXAGONALE INOX	HEXAGON HEAD SCREW INOX	SECHSKANTSCHRAUBE INOX	VITE A TESTA ESAGONALE INOX	
002	80150613	001	VIS S/TETE B.CUVET.HC INOX	SOCKET SET SCREW INOX	GEWINDESTIFT INOX		
003	80250800	004	RONDELLE PLATE INOX A2	PLAIN WASHER INOX A2	SCHEIBE INOX A2	RONDELLA PIATTALA INOX A2	
004	80270883	004	RONDELLE GROWER INOX A2	WASHER, SPRING LOCK INOX A2	FEDERRING INOX A2	RONDELLA GROWER INOX A2	
005	82063941	004	JOINT TORIQUE VITON VERT	O-RING	O-RING	GUARNIZIONE	
006	82065835	002	JOINT TORIQUE VITON VERT	O-RING	O-RING	GUARNIZIONE	
007	83090177	004	COLLIER VIS SANS FIN INOX	CLAMP, HOSE	SCHLAUCHSCHELLE	COLLARE	
008	83610042	001	VANNE	VALVE, SHUT-OFF	SCHIEBER	SARACINESCA	
009	83634012	002	ECROU	NUT	MUTTER	DADO	
010	83654043	003	MAMELON	UNION	VERBINDUNGSTUCK	NIPPLO	
011	83654049	001	MANCHON	SLEEVE	MUFFE	MANICOTTO	
012	83656003	001	COUDE	FITTING, HYDRAULIC, ELBOW	BOGEN	CURVA	
013	83673165	001	RACCORD	FITTING	VERBINDUNG	RACCORDO	
014	G0861235	002	SUPPORT	SUPPORT	TRAEGER	SUPPORTO	
015	G0861240	001	INDEX	POINTER	ZEIGER		
016	G4104160	001	SUPPORT	SUPPORT	TRAEGER	SUPPORTO	
017	G9100710	001	TUYAU	PIPE	ROHR	TUBO	
018	G9100720	001	TUYAU	PIPE	ROHR	TUBO	





METRIS

G40R0385 A

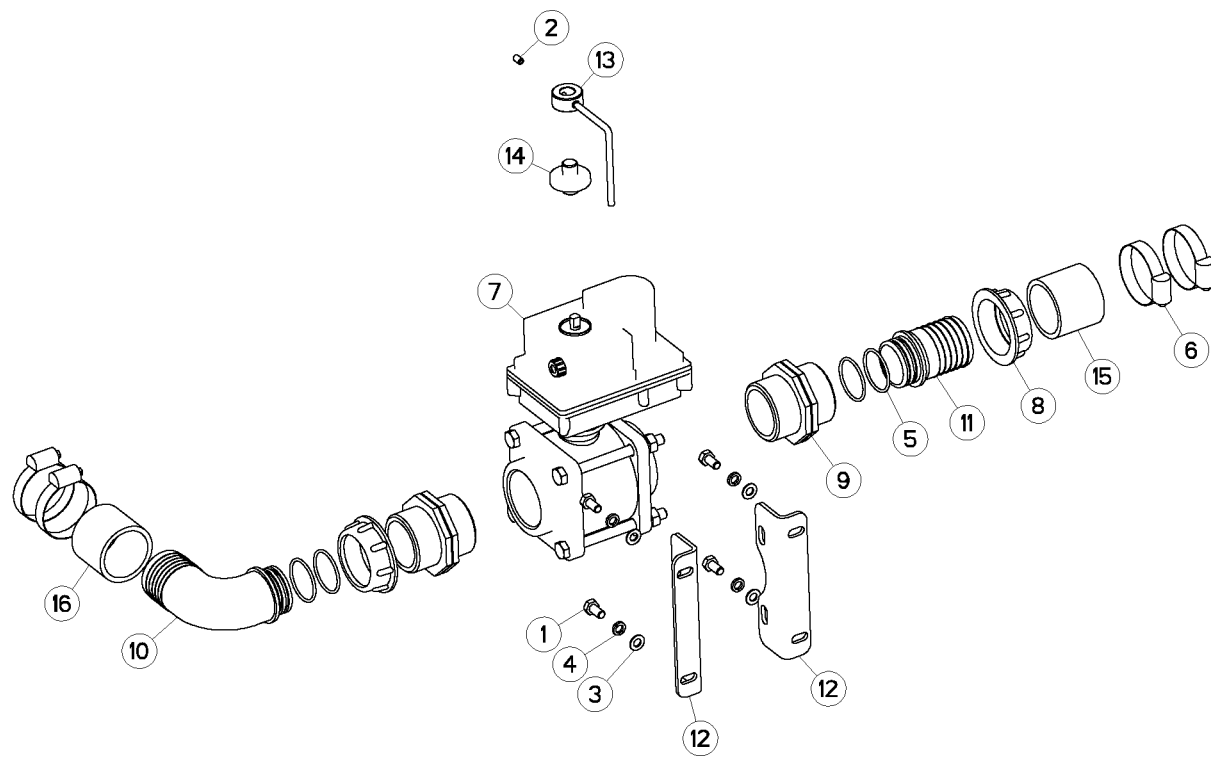
VANNE DE REFOULEMENT PM 265 ME

DISCHARGE VALVE PM 265 METRIS

AUSLASSVENTIL PM 265 METRIS

VALVOLA DI SCARICO PM 265 METRIS

Rep	Nr	Qt	Designation	Description	Bezeichnung	Referenza	Remarque - Remark - Bemerkung - Osservazioni
001	80060817	004	VIS TETE HEXAGONALE INOX	HEXAGON HEAD SCREW INOX	SECHSKANTSCHRAUBE INOX	VITE A TESTA ESAGONALE INOX	
002	80150613	001	VIS S/TETE B.CUVET.HC INOX	SOCKET SET SCREW INOX	GEWINDESTIFT INOX		
003	80250800	004	RONDELLE PLATE INOX A2	PLAIN WASHER INOX A2	SCHEIBE INOX A2	RONDELLA PIATTALA INOX A2	
004	80270883	004	RONDELLE GROWER INOX A2	WASHER, SPRING LOCK INOX A2	FEDERRING INOX A2	RONDELLA GROWER INOX A2	
005	82063941	004	JOINT TORIQUE VITON VERT	O-RING	O-RING	GUARNIZIONE	
006	83090177	002	COLLIER VIS SANS FIN INOX	CLAMP, HOSE	SCHLAUCHSCHELLE	COLLARE	
007	83634012	002	ECROU	NUT	MUTTER	DADO	
008	83654026	002	REDUCTION	ADAPTER, REDUCER	REDUZIERUNG	RIDUZIONE	
009	83656003	001	COUDE	FITTING, HYDRAULIC, ELBOW	BOGEN	CURVA	
010	83673165	001	RACCORD	FITTING	VERBINDUNG	RACCORDO	
011	83673172	001	VANNE	VALVE, SHUT-OFF	SCHIEBER	SARACINESCA	
012	800610A6	002	VIS TETE HEXAGONALE INOX	HEXAGON HEAD SCREW INOX	SECHSKANTSCHRAUBE INOX	VITE A TESTA ESAGONALE INOX	
013	G0861240	001	INDEX	POINTER	ZEIGER		
014	G4104160	001	SUPPORT	SUPPORT	TRAEGER	SUPPORTO	
015	G4107440	002	SUPPORT	SUPPORT	TRAEGER	SUPPORTO	
016	G9100710	001	TUYAU	PIPE	ROHR	TUBO	
017	G9100720	001	TUYAU	PIPE	ROHR	TUBO	





METRIS

G40R0201 B

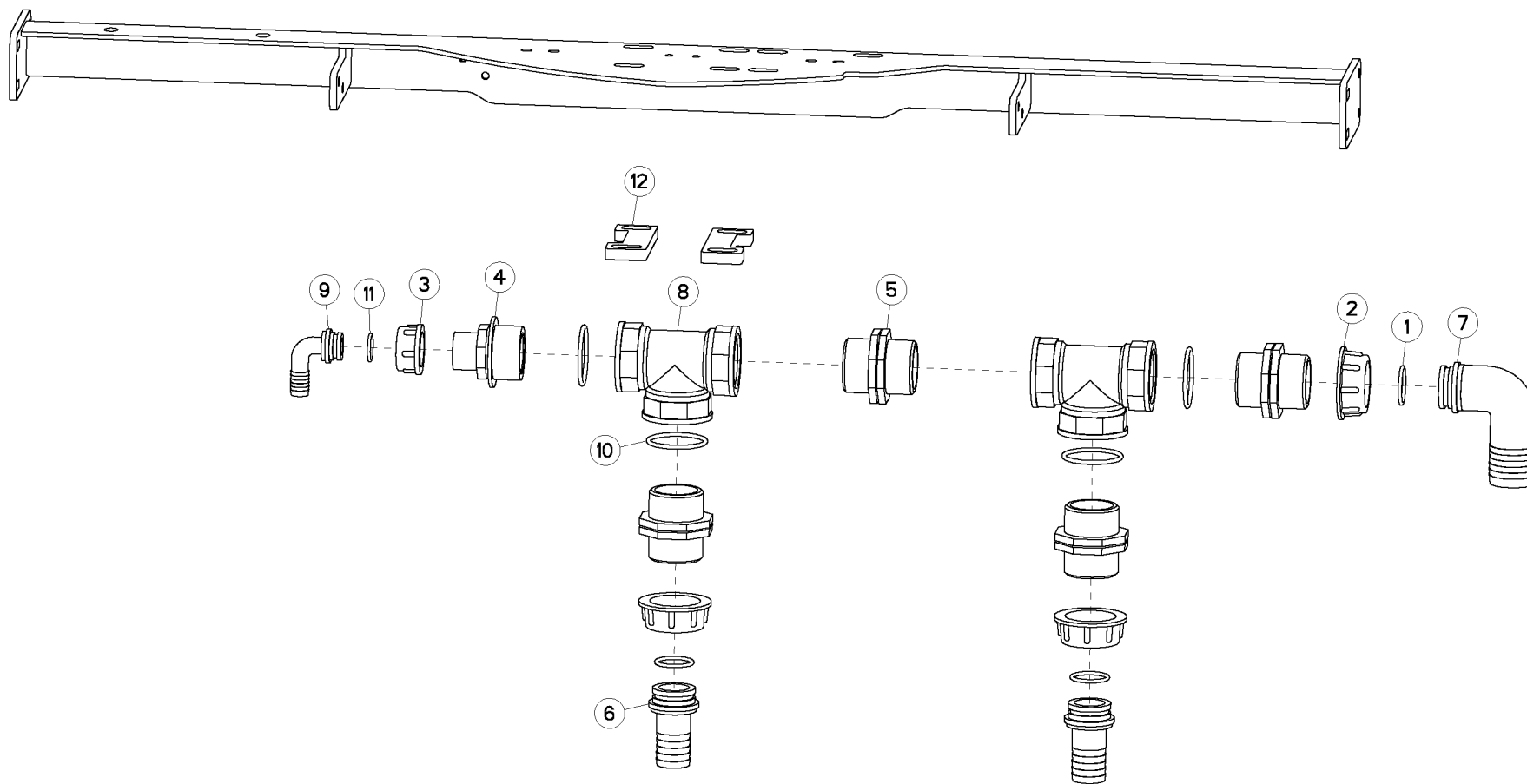
VANNE DE REGULATION PM 500 MET

REGULATION VALVE PM 500 METRIS

REGELVENTIL PM 500 METRIS

VALVOLA DI REGOLAZIONE PM 500

Rep	Nr	Qt	Designation	Description	Bezeichnung	Referenza	Remarque - Remark - Bemerkung - Osservazioni
001	80060817	004	VIS TETE HEXAGONALE INOX	HEXAGON HEAD SCREW INOX	SECHSKANTSCHRAUBE INOX	VITE A TESTA ESAGONALE INOX	
002	80150613	001	VIS S/TETE B.CUVET.HC INOX	SOCKET SET SCREW INOX	GEWINDESTIFT INOX		
003	80250800	004	RONDELLE PLATE INOX A2	PLAIN WASHER INOX A2	SCHEIBE INOX A2	RONDELLA PIATTALA INOX A2	
004	80270883	004	RONDELLE GROWER INOX A2	WASHER, SPRING LOCK INOX A2	FEDERRING INOX A2	RONDELLA GROWER INOX A2	
005	82063941	004	JOINT TORIQUE VITON VERT	O-RING	O-RING	GUARNIZIONE	
006	83090177	004	COLLIER VIS SANS FIN INOX	CLAMP, HOSE	SCHLAUCHSCHELLE	COLLARE	
007	83610042	001	VANNE	VALVE, SHUT-OFF	SCHIEBER	SARACINESCA	
008	83634012	002	ECROU	NUT	MUTTER	DADO	
009	83654043	002	MAMELON	UNION	VERBINDUNGSTUCK	NIPPLO	
010	83656003	001	COUDE	FITTING, HYDRAULIC, ELBOW	BOGEN	CURVA	
011	83673165	001	RACCORD	FITTING	VERBINDUNG	RACCORDO	
012	G0861235	002	SUPPORT	SUPPORT	TRAEGER	SUPPORTO	
013	G0861240	001	INDEX	POINTER	ZEIGER		
014	G4104160	001	SUPPORT	SUPPORT	TRAEGER	SUPPORTO	
015	G9100710	001	TUYAU	PIPE	ROHR	TUBO	
016	G9100720	001	TUYAU	PIPE	ROHR	TUBO	





METRIS

G40R0192 B

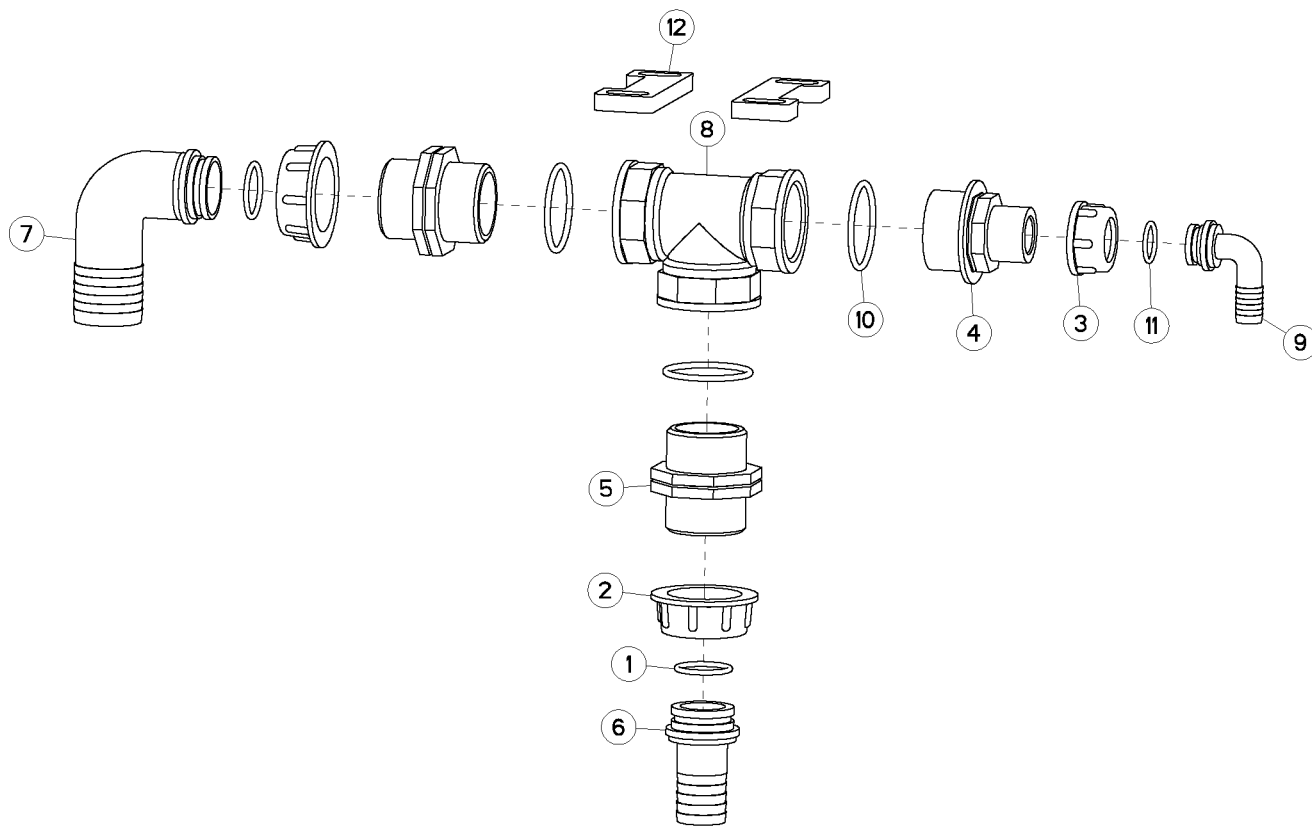
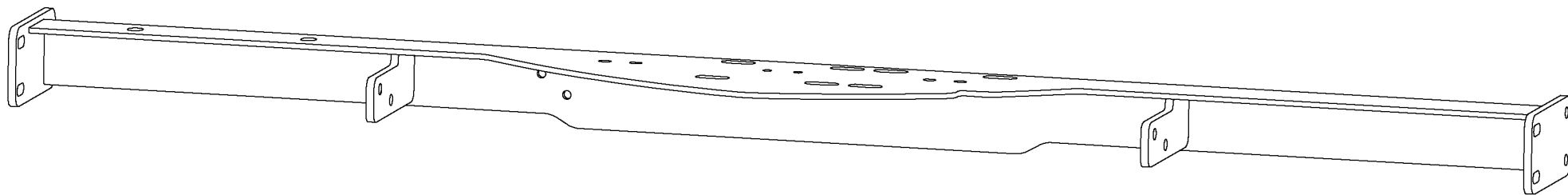
RETOUR DOUBLE

RETURN DOUBLE

RUECKLAUF DOPPEL

RITORNO DOPPIO

Rep	Nr	Qt	Designation	Description	Bezeichnung	Referenza	Remarque - Remark - Bemerkung - Osservazioni
001	82062935	003	JOINT TORIQUE	O-RING	O-RING	GUARNIZIONE	
002	83634005	003	ECROU	NUT	MUTTER	DADO	
003	83634009	001	ECROU	NUT	MUTTER	DADO	
004	83654025	001	REDUCTION	ADAPTER, REDUCER	REDUZIERUNG	RIDUZIONE	
005	83654032	004	MAMELON	UNION	VERBINDUNGSTUCK	NIPPLO	
006	83655006	002	RACCORD	FITTING	VERBINDUNG	RACCORDO	
007	83655022	001	RACCORD	FITTING	VERBINDUNG	RACCORDO	
008	83655099	002	RACCORD	FITTING	VERBINDUNG	RACCORDO	
009	83673106	001	RACCORD	FITTING	VERBINDUNG	RACCORDO	
010	83673110	004	JOINT TORIQUE	O-RING	O-RING	GUARNIZIONE	
011	G0225530	001	JOINT	SEAL	DICHTUNG	GUARNIZIONE	
012	G4107360	002	CALE	SHIM	DISTANZPLATTE	SPESSORE	





METRIS

G40R0193 B

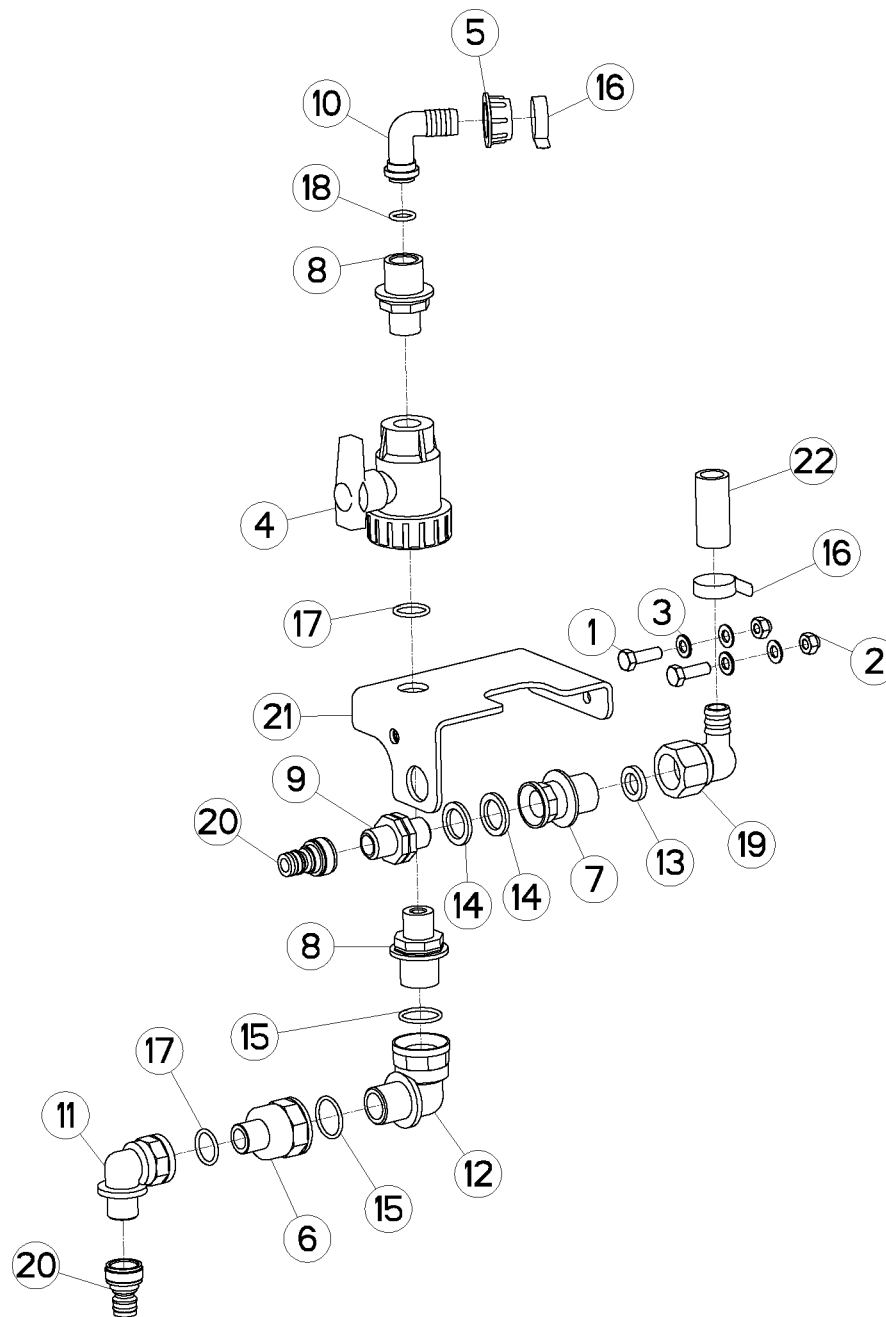
RETOUR

RETURN

RUECKLAUF

RITORNO

Rep	Nr	Qt	Designation	Description	Bezeichnung	Referenza	Remarque - Remark - Bemerkung - Osservazioni
001	82062935	002	JOINT TORIQUE	O-RING	O-RING	GUARNIZIONE	
002	83634005	002	ECROU	NUT	MUTTER	DADO	
003	83634009	001	ECROU	NUT	MUTTER	DADO	
004	83654025	001	REDUCTION	ADAPTER, REDUCER	REDUZIERUNG	RIDUZIONE	
005	83654032	002	MAMELON	UNION	VERBINDUNGSTUCK	NIPPLO	
006	83655006	001	RACCORD	FITTING	VERBINDUNG	RACCORDO	
007	83655022	001	RACCORD	FITTING	VERBINDUNG	RACCORDO	
008	83655099	001	RACCORD	FITTING	VERBINDUNG	RACCORDO	
009	83673106	001	RACCORD	FITTING	VERBINDUNG	RACCORDO	
010	83673110	003	JOINT TORIQUE	O-RING	O-RING	GUARNIZIONE	
011	G0225530	001	JOINT	SEAL	DICHTUNG	GUARNIZIONE	
012	G4107360	002	CALE	SHIM	DISTANZPLATTE	SPESSORE	





METRIS

G40R0163 A

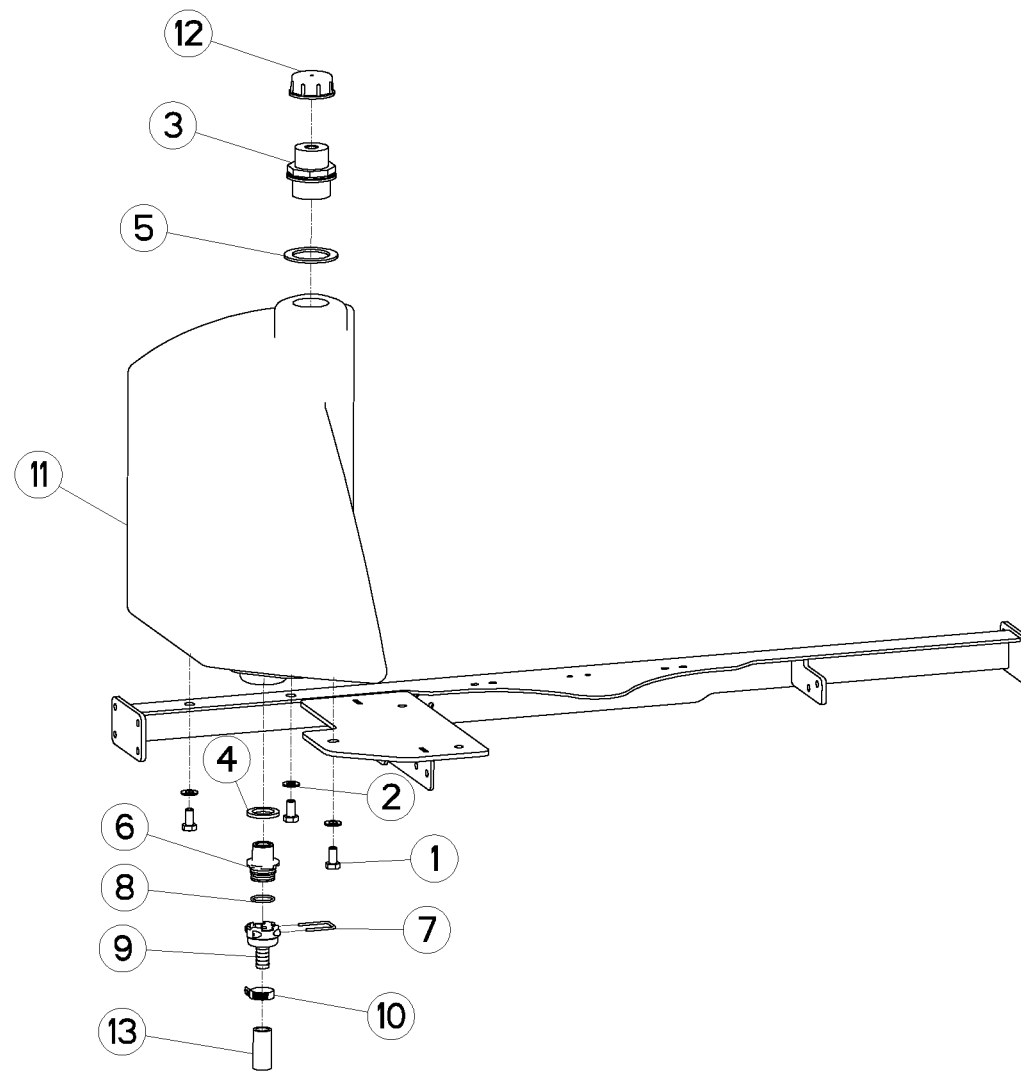
SUPPORT REEMPLISSAGE+RINCAGE

SUPPORT REEMPLISSAGE+RINCAGE

HALTERUNG REEMPLISSAGE+RINCAGE

SUPPORTO REEMPLISSAGE+RINCAGE

Rep	Nr	Qt	Designation	Description	Bezeichnung	Referenza	Remarque - Remark - Bemerkung - Osservazioni
001	80060828	002	VIS TETE HEXAGONALE INOX	HEXAGON HEAD SCREW INOX	SECHSKANTSCHRAUBE INOX	VITE A TESTA ESAGONALE INOX	
002	80200831	002	ECROU HEXAG.AUTOFREINE INOX	SELF-LOCKING NUT INOX	SELBSTSICHERNDE MUTTER INOX	DADO AUTOBLOCCANTE INOX	
003	80250800	004	RONDELLE PLATE INOX A2	PLAIN WASHER INOX A2	SCHIBE INOX A2	RONDELLA PIATTALA INOX A2	
004	83610025	001	VANNE	VALVE, SHUT-OFF	SCHIEBER	SARACINESCA	
005	83634016	001	ECROU	NUT	MUTTER	DADO	
006	83654008	001	REDUCTION	ADAPTER, REDUCER	REDUZIERUNG	RIDUZIONE	
007	83654020	001	REDUCTION	ADAPTER, REDUCER	REDUZIERUNG	RIDUZIONE	
008	83654031	002	REDUCTION	ADAPTER, REDUCER	REDUZIERUNG	RIDUZIONE	
009	83654038	001	MAMELON	UNION	VERBINDUNGSTUCK		
010	83655019	001	RACCORD	FITTING	VERBINDUNG	RACCORDO	
011	83655033	001	RACCORD	FITTING	VERBINDUNG	RACCORDO	
012	83655044	001	RACCORD	FITTING	VERBINDUNG	RACCORDO	
013	83668022	001	JOINT	SEAL	DICHTUNG	GUARNIZIONE	
014	83668024	002	JOINT	SEAL	DICHTUNG	GUARNIZIONE	
015	83673075	002	JOINT TORIQUE	O-RING	O-RING	GUARNIZIONE	
016	G0173400	002	COLLIER	CLAMP, HOSE	SCHLAUCHSCHELLE	COLLARE	
017	G0225530	002	JOINT	SEAL	DICHTUNG	GUARNIZIONE	
018	G0291010	001	JOINT	SEAL	DICHTUNG	GUARNIZIONE	
019	G0399400	001	RACCORD	FITTING	VERBINDUNG	RACCORDO	
020	G0411880	002	ADAPTATEUR	FITTING, HYDRAULIC, ADAPTER	ANBAUELEMENT	ADATTATORE	
021	G4001780	001	SUPPORT	SUPPORT	TRAEGER	SUPPORTO	
022	G9100150	001	TUYAU	PIPE	ROHR	TUBO	Ø 16 <->850





METRIS

G40R0173 A

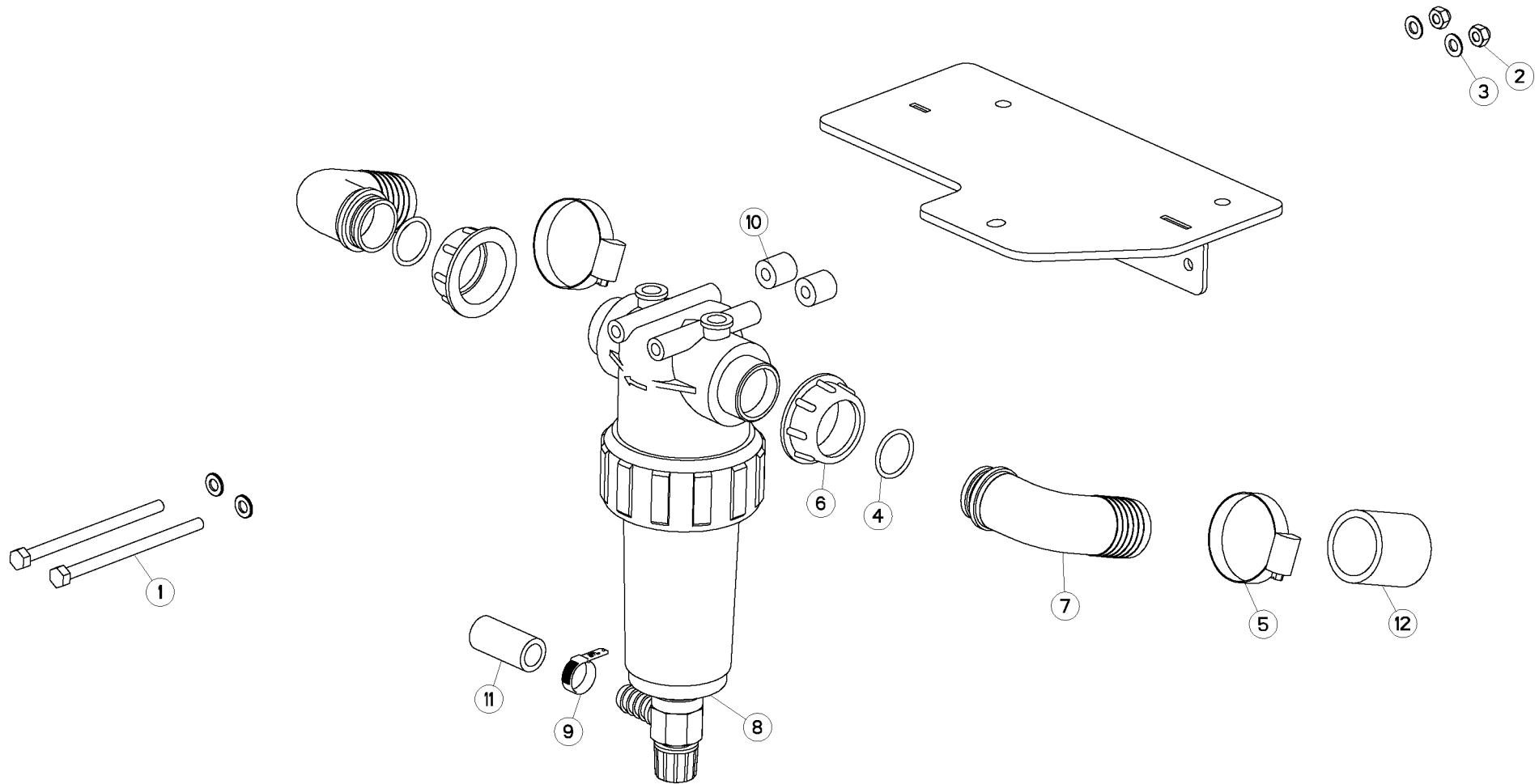
CUVE LAVE MAINS METRIS

HAND WASH TANK METRIS

HANDWASCHBEHÄLTER METRIS

VASCHETTA LAVAGGIO DELLE MANI

Rep	Nr	Qt	Designation	Description	Bezeichnung	Referenza	Remarque - Remark - Bemerkung - Osservazioni
001	80061021	003	VIS TETE HEXAGONALE INOX	HEXAGON HEAD SCREW INOX	SECHSKANTSCHRAUBE INOX	VITE A TESTA ESAGONALE INOX	
002	80251005	003	RONDELLE PLATE INOX A2	PLAIN WASHER INOX A2	SCHEIBE INOX A2	RONDELLA PIATTALA INOX A2	
003	83654027	001	REDUCTION	ADAPTER, REDUCER	REDUZIERUNG	RIDUZIONE	
004	83668028	001	JOINT	SEAL	DICHTUNG	GUARNIZIONE	
005	83668046	001	JOINT PLAT	GASKET	DICHTUNG		
006	83673050	001	RACCORD	FITTING	VERBINDUNG	RACCORDO	
007	83673069	001	BRIDE	CLAMP	BUEGEL	STAFFA	
008	83673075	001	JOINT TORIQUE	O-RING	O-RING	GUARNIZIONE	
009	83673103	001	RACCORD	FITTING	VERBINDUNG	RACCORDO	
010	G0173400	001	COLLIER	CLAMP, HOSE	SCHLAUCHSCHELLE	COLLARE	
011	G4200060	001	CUVE	TANK	BEHAELTER	CUBA	
012	G9000390	001	BOUCHON	PLUG	VERSCHLUSSSCHRAUBE	TAPPO	
013	G9100260	001	TUYAU	PIPE	ROHR	TUBO	Ø 16 <->1200





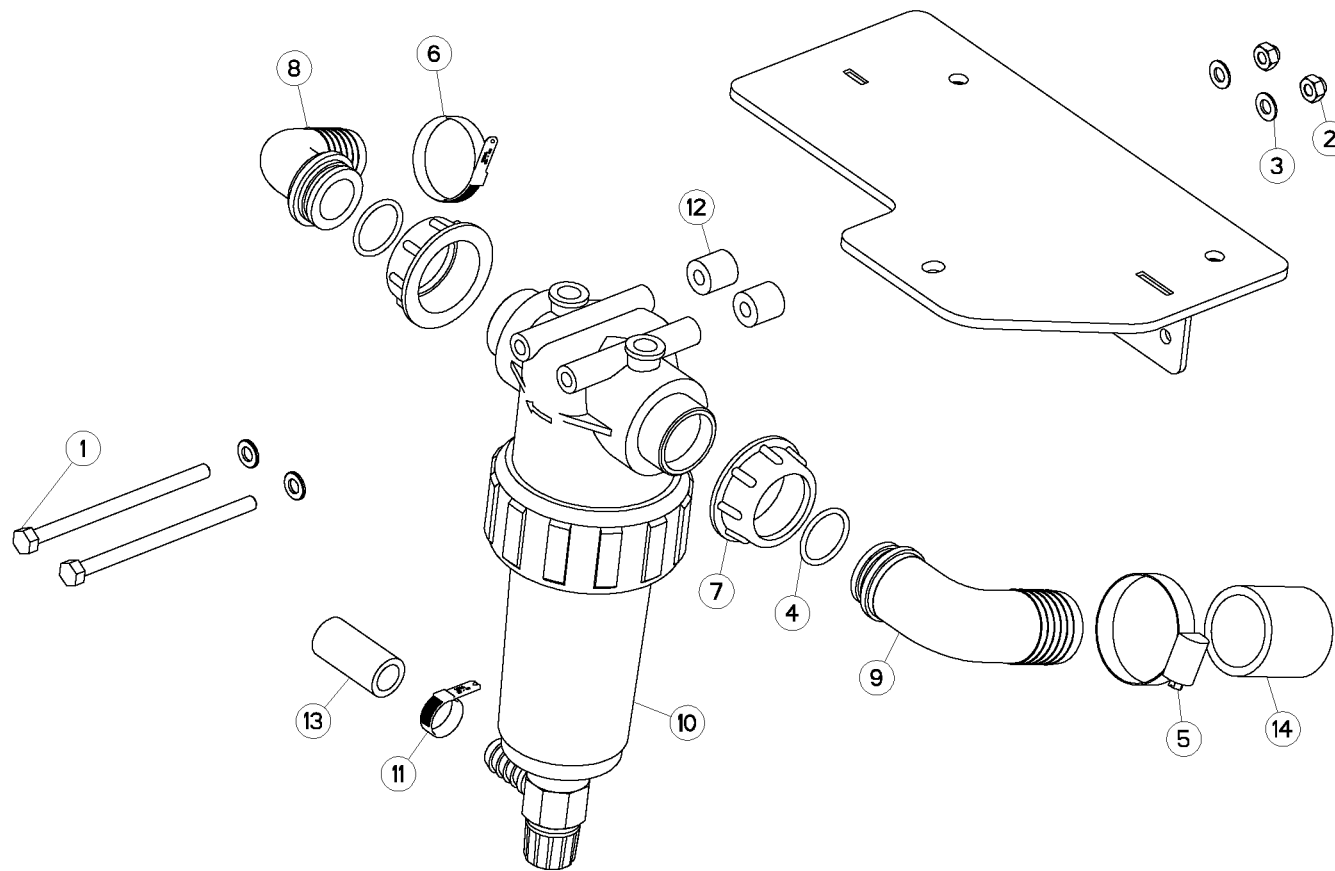
FILTRES T5 PM500/PC700

FILTER T5 PM500/PC700

FILTER T5 PM500/PC700

FILTRO T5 PM500/PC700

Rep	Nr	Qt	Designation	Description	Bezeichnung	Referenza	Remarque - Remark - Bemerkung - Osservazioni
001	80060896	002	VIS TETE HEXAGONALE INOX	HEXAGON HEAD SCREW INOX	SECHSKANTSCHRAUBE INOX	VITE A TESTA ESAGONALE INOX	
002	80200831	002	ECROU HEXAG.AUTOFREINE INOX	SELF-LOCKING NUT INOX	SELBSTSICHERNDE MUTTER INOX	DADO AUTOBLOCCANTE INOX	
003	80250800	004	RONDELLE PLATE INOX A2	PLAIN WASHER INOX A2	SCHEIBE INOX A2	RONDELLA PIATTALA INOX A2	
004	82062935	002	JOINT TORIQUE	O-RING	O-RING	GUARNIZIONE	
005	83090177	002	COLLIER VIS SANS FIN INOX	CLAMP, HOSE	SCHLAUCHSCHELLE	COLLARE	
006	83634005	002	ECROU	NUT	MUTTER	DADO	
007	83655022	002	RACCORD	FITTING	VERBINDUNG	RACCORDO	
008	83673171	001	FILTRE	FILTER	FILTERPATRONE	FILTRO	
009	G0173000	001	COLLIER	CLAMP, HOSE	SCHLAUCHSCHELLE	COLLARE	
010	G4105360	002	ENTRETOISE	SPACER	DISTANZHUELSE	DISTANZIALE	
011	G9100690	001	TUYAU	PIPE	ROHR	TUBO	
012	G9100700	001	TUYAU	PIPE	ROHR	TUBO	





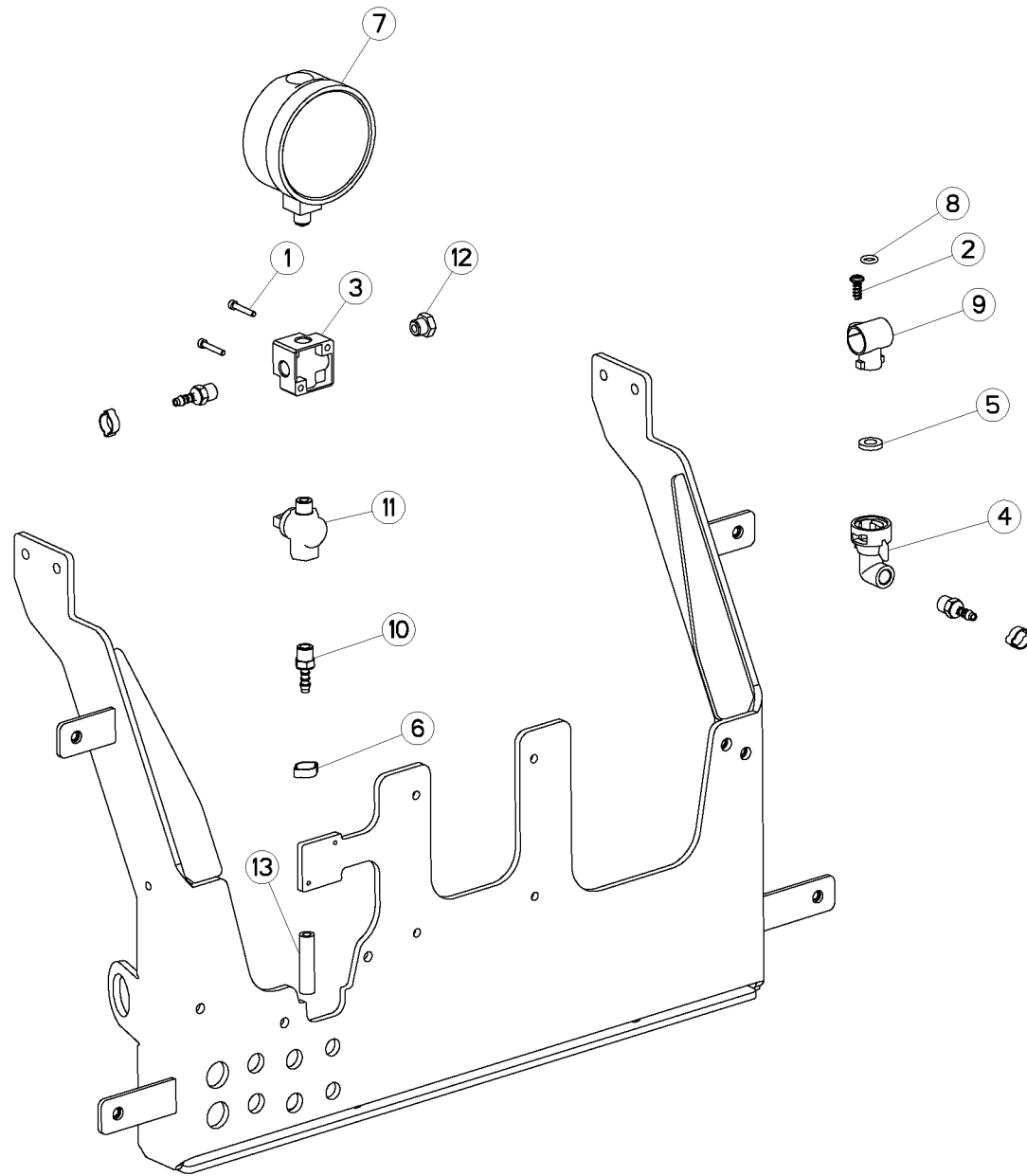
FILTRES T5 PM265/PM320

FILTER T5 PM265/PM320

FILTER T5 PM265/PM320

FILTRO T5 PM265/PM320

Rep	Nr	Qt	Designation	Description	Bezeichnung	Referenza	Remarque - Remark - Bemerkung - Osservazioni
001	80060896	002	VIS TETE HEXAGONALE INOX	HEXAGON HEAD SCREW INOX	SECHSKANTSCHRAUBE INOX	VITE A TESTA ESAGONALE INOX	
002	80200831	002	ECROU HEXAG.AUTOFREINE INOX	SELF-LOCKING NUT INOX	SELBSTSICHERNDE MUTTER INOX	DADO AUTOBLOCCANTE INOX	
003	80250800	004	RONDELLE PLATE INOX A2	PLAIN WASHER INOX A2	SCHEIBE INOX A2	RONDELLA PIATTALA INOX A2	
004	82062935	002	JOINT TORIQUE	O-RING	O-RING	GUARNIZIONE	
005	83090177	001	COLLIER VIS SANS FIN INOX	CLAMP, HOSE	SCHLAUCHSCHELLE	COLLARE	
006	83090181	001	COLLIER	CLAMP, HOSE	SCHLAUCHSCHELLE	COLLARE	
007	83634005	002	ECROU	NUT	MUTTER	DADO	
008	83655005	001	RACCORD	FITTING	VERBINDUNG	RACCORDO	
009	83655022	001	RACCORD	FITTING	VERBINDUNG	RACCORDO	
010	83673171	001	FILTRE	FILTER	FILTERPATRONE	FILTRO	
011	G0173000	001	COLLIER	CLAMP, HOSE	SCHLAUCHSCHELLE	COLLARE	
012	G4105360	002	ENTRETOISE	SPACER	DISTANZHUELSE	DISTANZIALE	
013	G9100690	001	TUYAU	PIPE	ROHR	TUBO	
014	G9100700	001	TUYAU	PIPE	ROHR	TUBO	





METRIS

G40R0191 B

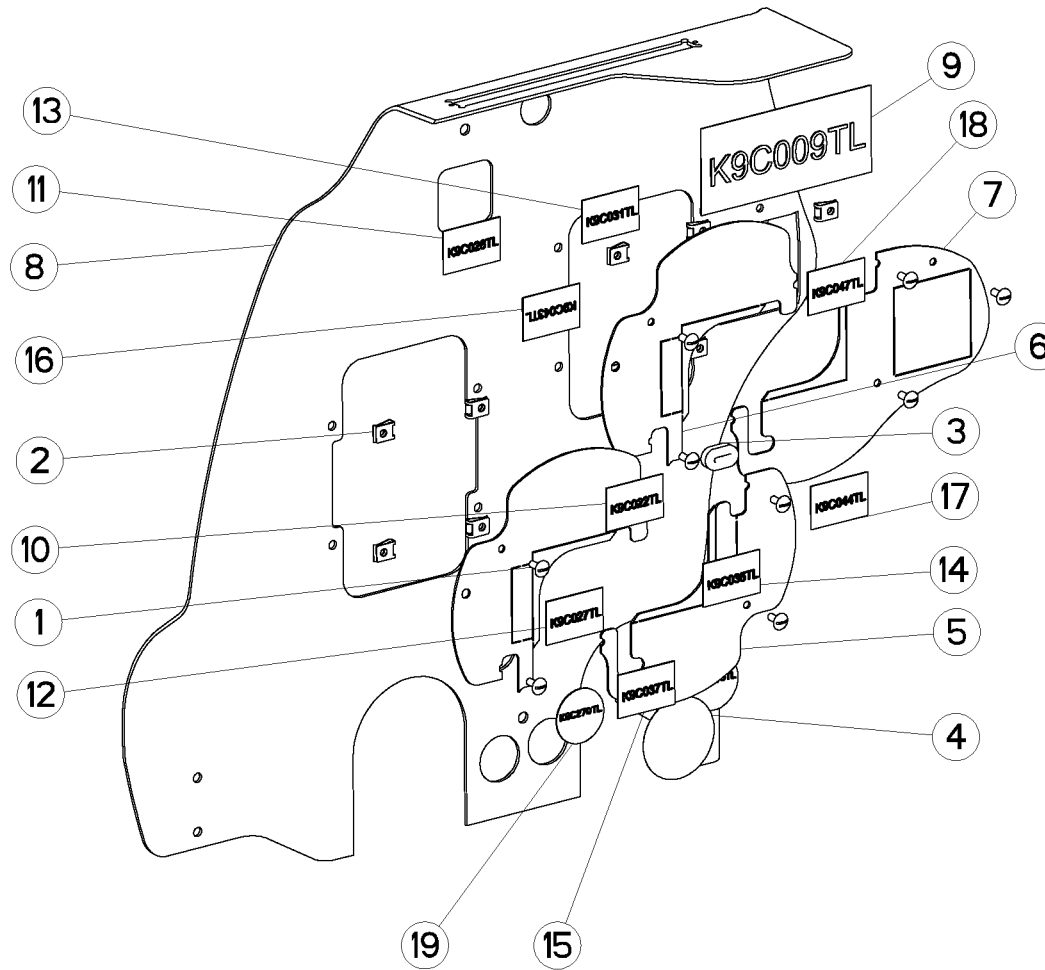
MANOMETRE D22

AIR INFLATION INDICATOR D22

MAONOMETER D22

MANOMETRO D22

Rep	Nr	Qt	Designation	Description	Bezeichnung	Referenza	Remarque - Remark - Bemerkung - Osservazioni
001	80080426	002	VIS TETE CYL.SIX P.CRE.INOX	HEX.SOCKET HEAD CAP SCREW INOX	ZYLINDERSCHR.INNENSECHSK.INOX	VITE A TESTA CILINDRICA INOX	
002	80190618	001	VIS TETE BOMBEE TORX INOX	PEN HEAD SCREW	LINSEN-SCHRAUBE		
003	83230016	001	BOITE DE DERIVATION 1/4				
004	83634020	001	ECROU BUSE COUDE 90°				
005	A621821	001	JOINT D'ECROU DE BUSE	GASKET	DICHTUNG	GUARN.PR DADO 1/4T PRECISTOP	
006	G0088600	003	COLLIER	CLAMP, HOSE	SCHLAUSCHELLE	COLLARE	
007	G0166620	001	MANOMETRE	MANOMETER	MANOMETER	MANOMETRO	
008	G0382920	001	JOINT	SEAL	DICHTUNG	GUARNIZIONE	
009	G0382960	001	COLLIER	CLAMP, HOSE	SCHLAUSCHELLE	COLLARE	
010	G0405310	003	RACCORD	FITTING	VERBINDUNG	RACCORDO	
011	G0447300	001	VANNE	VALVE, SHUT-OFF	SCHIEBER	SARACINESCA	
012	G0555800	001	BOUCHON	PLUG	VERSCHLUSSSCHRAUBE	TAPPO	
013	G9101470	001	TUYAU	PIPE	ROHR	TUBO	





METRIS

G40R0243 B

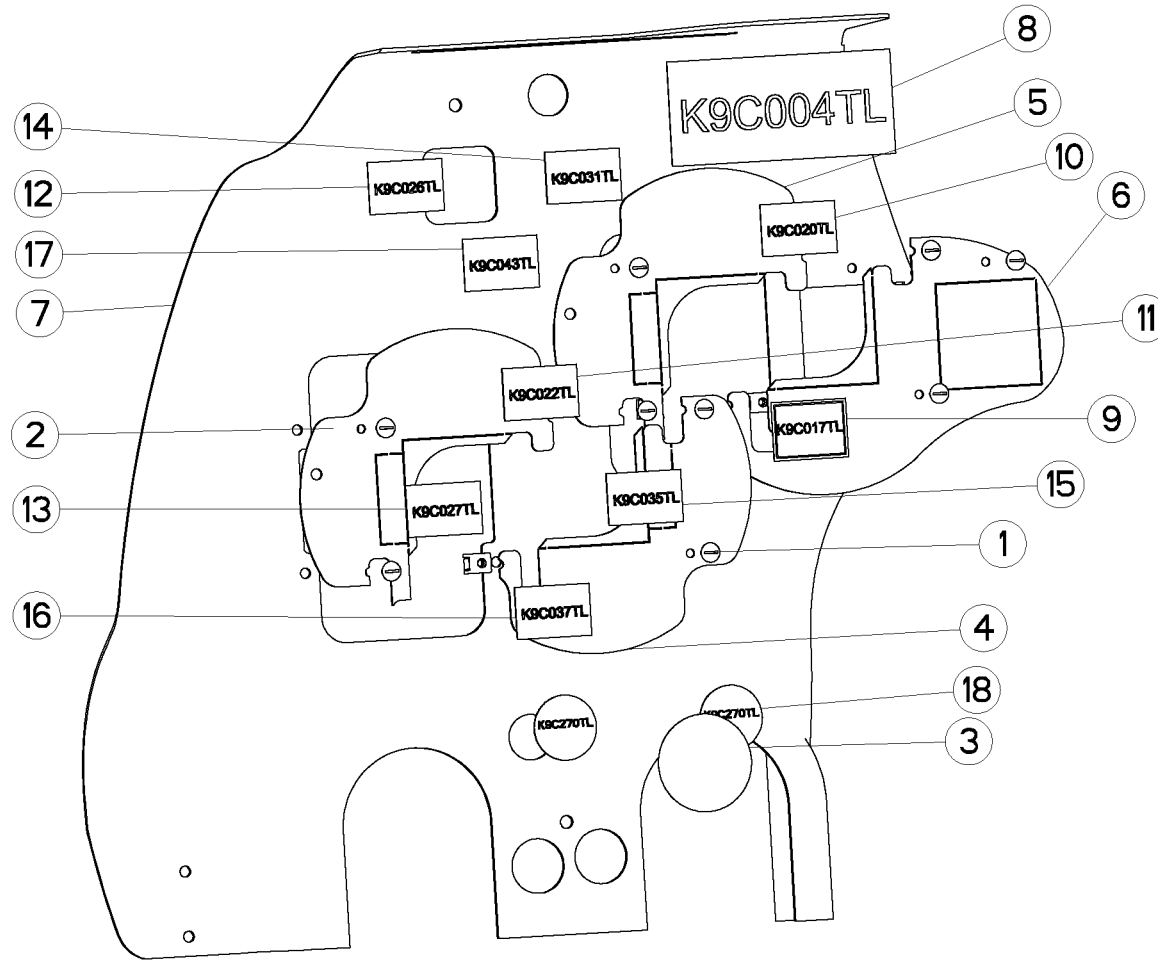
CAPOT VANNE 3V ELEC+5VMANU

HOOD VANNE 3V ELEC+5VMANU

HAUBE VANNE 3V ELEC+5VMANU

COFANO VANNE 3V ELEC+5VMANU

Rep	Nr	Qt	Designation	Description	Bezeichnung	Referenza	Remarque - Remark - Bemerkung - Osservazioni
001	80100617	009	VIS TETE ROND.LAR.FEND.INOX	SLOT.CHEESE HEAD SCREW INOX	RUNDKOPPFSCH.M.SCHLITZ INOX	VITE INOX	
002	80200617	009	ECROU A Pincer FE/ZNXC3	NUT FE/ZNXC3	MUTTER FE/ZNXC3	DADO FE/ZNXC3	
003	83200814	001	PASSE FIL	RUBBER PASS WIRE	GUMMI-TUELLE	PASSAFILO	
004	G0320240	001	ETIQ.ADH.	DECAL	AUFKLEBER	ADESIVO	
005	G4107590	001	CACHE	COVER	SCHUTZ	PROTEZIONE	
006	G4107600	002	CACHE	COVER	SCHUTZ	PROTEZIONE	
007	G4107610	001	CACHE	COVER	SCHUTZ	PROTEZIONE	
008	G4200090	001	CAPOT	HOOD	HAUBE	COFANO	
009	K9C009TL	001	PICTO.T VANNES OC ASPI.MOTO	DECAL, SAFETY	PIKTOGR	ADESIVO	
010	K9C022TL	001	PICTO.T INCORPO.C	DECAL, SAFETY	PIKTOGR	ADESIVO	
011	K9C026TL	001	PICTO.T ASPI.C.RINÇAGE BLEU	DECAL, SAFETY	PIKTOGR	ADESIVO	
012	K9C027TL	001	PICTO.T PULVERISATION B	DECAL, SAFETY	PIKTOGR	ADESIVO	
013	K9C031TL	001	PICTO.T C.RINÇAGE OC ROUGE	DECAL, SAFETY	PIKTOGR	ADESIVO	
014	K9C035TL	001	PICTO.T GYROLAVEUR OC D	DECAL, SAFETY	PIKTOGR	ADESIVO	
015	K9C037TL	001	PICTO.T REFOULEMENT A	DECAL, SAFETY	PIKTOGR	ADESIVO	
016	K9C043TL	001	PICTO.T OFF JAUNE	DECAL, SAFETY	PIKTOGR	ADESIVO	
017	K9C044TL	001	PICTO.T ASPI.EXTERIEURE VM	DECAL, SAFETY	PIKTOGR	ADESIVO	
018	K9C047TL	001	PICTO.T ASPI.C.PRINC.OC VM	DECAL, SAFETY	PIKTOGR	ADESIVO	
019	K9C270TL	002	PICTO.T VANNE ASPI.EXT.REFOUL.	DECAL, SAFETY	PIKTOGR	ADESIVO	





METRIS

G40R0244 B

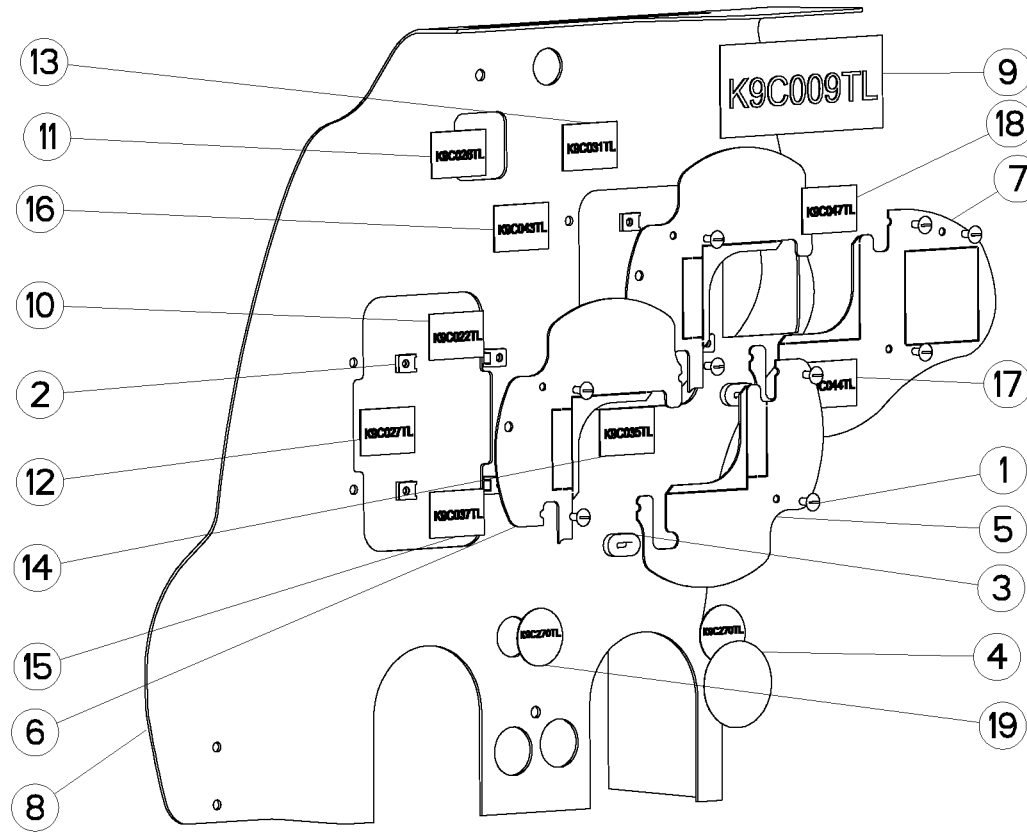
CAPOT VANNE 3VMANU +5VMANU

HOOD VANNE 3VMANU +5VMANU

HAUBE VANNE 3VMANU +5VMANU

COFANO VANNE 3VMANU +5VMANU

Rep	Nr	Qt	Designation	Description	Bezeichnung	Referenza	Remarque - Remark - Bemerkung - Osservazioni
001	80100617	009	VIS TETE ROND.LAR.FEND.INOX	SLOT.CHEESE HEAD SCREW INOX	RUNDKOPPFSCH.M.SCHLITZ INOX	VITE INOX	
002	80200617	009	ECROU A PINCER FE/ZNXC3	NUT FE/ZNXC3	MUTTER FE/ZNXC3	DADO FE/ZNXC3	
003	G0320240	001	ETIQ.ADH.	DECAL	AUFKLEBER	ADESIVO	
004	G4107590	001	CACHE	COVER	SCHUTZ	PROTEZIONE	
005	G4107600	002	CACHE	COVER	SCHUTZ	PROTEZIONE	
006	G4107610	001	CACHE	COVER	SCHUTZ	PROTEZIONE	
007	G4200090	001	CAPOT	HOOD	HAUBE	COFANO	
008	K9C004TL	001	PICTO.T VANNES OC	DECAL, SAFETY	PIKTOGR	ADESIVO	
009	K9C017TL	001	PICTO.T ASPI.EXTERIEURE 1	DECAL, SAFETY	PIKTOGR	ADESIVO	
010	K9C020TL	001	PICTO.T ASPI.C.PRINC.OC.2	DECAL, SAFETY	PIKTOGR	ADESIVO	
011	K9C022TL	001	PICTO.T INCORPO.C	DECAL, SAFETY	PIKTOGR	ADESIVO	
012	K9C026TL	001	PICTO.T ASPI.C.RINÇAGE BLEU	DECAL, SAFETY	PIKTOGR	ADESIVO	
013	K9C027TL	001	PICTO.T PULVERISATION B	DECAL, SAFETY	PIKTOGR	ADESIVO	
014	K9C031TL	001	PICTO.T C.RINÇAGE OC ROUGE	DECAL, SAFETY	PIKTOGR	ADESIVO	
015	K9C035TL	001	PICTO.T GYROLAVEUR OC D	DECAL, SAFETY	PIKTOGR	ADESIVO	
016	K9C037TL	001	PICTO.T REFOULEMENT A	DECAL, SAFETY	PIKTOGR	ADESIVO	
017	K9C043TL	001	PICTO.T OFF JAUNE	DECAL, SAFETY	PIKTOGR	ADESIVO	
018	K9C270TL	002	PICTO.T VANNE ASPI.EXT.REFOUL.	DECAL, SAFETY	PIKTOGR	ADESIVO	





METRIS

G40R0245 B

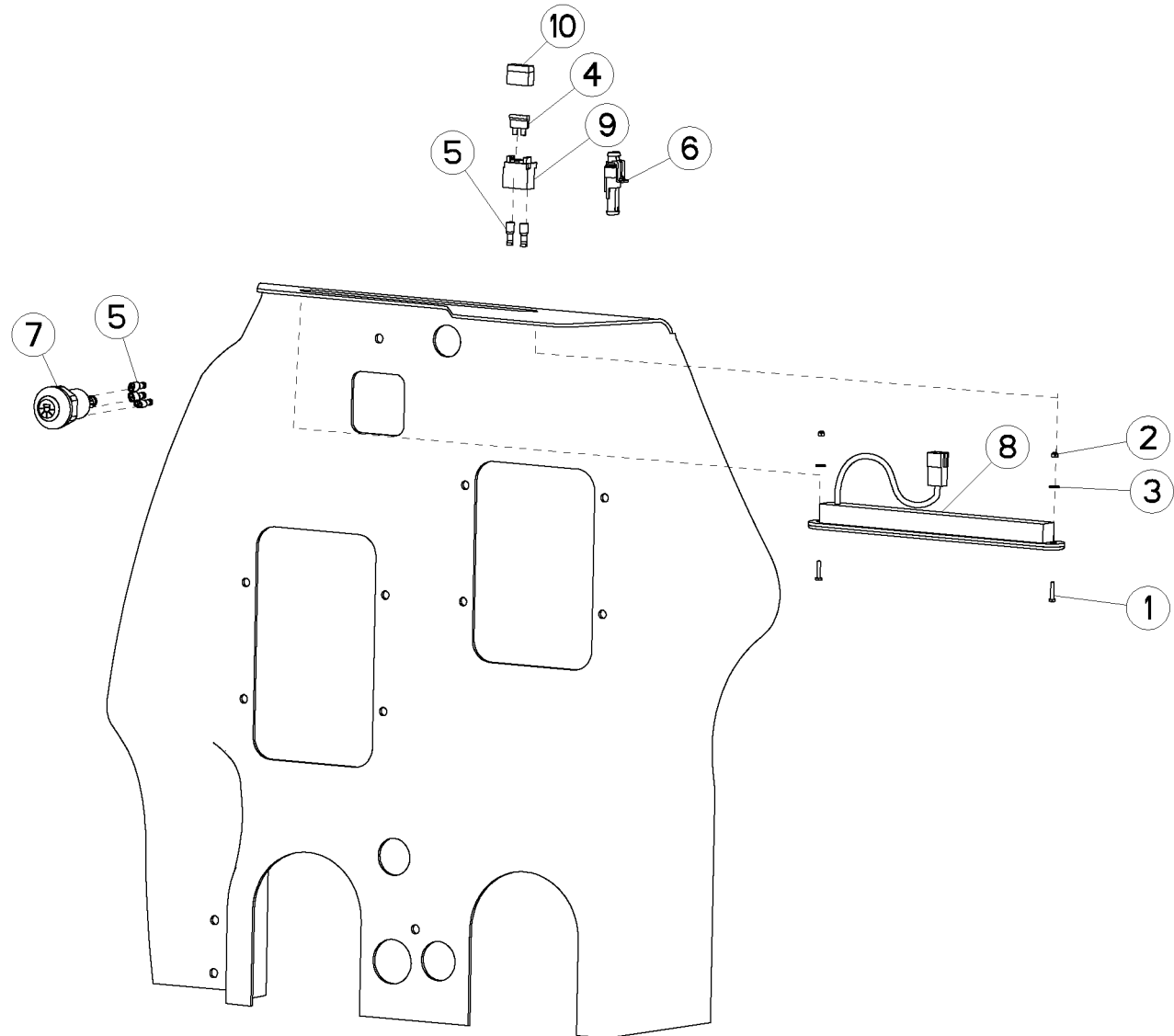
CAPOT VANNE 3V ELEC+5VELEC

HOOD VANNE 3V ELEC+5VELEC

HAUBE VANNE 3V ELEC+5VELEC

COFANO VANNE 3V ELEC+5VELEC

Rep	Nr	Qt	Designation	Description	Bezeichnung	Referenza	Remarque - Remark - Bemerkung - Osservazioni
001	80100617	009	VIS TETE ROND.LAR.FEND.INOX	SLOT.CHEESE HEAD SCREW INOX	RUNDKOPPFSCH.M.SCHLITZ INOX	VITE INOX	
002	80200617	009	ECROU A Pincer FE/ZNXC3	NUT FE/ZNXC3	MUTTER FE/ZNXC3	DADO FE/ZNXC3	
003	83200814	002	PASSE FIL	RUBBER PASS WIRE	GUMMI-TUELLE	PASSAFILO	
004	G0320240	001	ETIQ.ADH.	DECAL	AUFKLEBER	ADESIVO	
005	G4107590	001	CACHE	COVER	SCHUTZ	PROTEZIONE	
006	G4107600	002	CACHE	COVER	SCHUTZ	PROTEZIONE	
007	G4107610	001	CACHE	COVER	SCHUTZ	PROTEZIONE	
008	G4200090	001	CAPOT	HOOD	HAUBE	COFANO	
009	K9C009TL	001	PICTO.T VANNES OC ASPI.MOTO	DECAL, SAFETY	PIKTOGR	ADESIVO	
010	K9C022TL	001	PICTO.T INCORPO.C	DECAL, SAFETY	PIKTOGR	ADESIVO	
011	K9C026TL	001	PICTO.T ASPI.C.RINÇAGE BLEU	DECAL, SAFETY	PIKTOGR	ADESIVO	
012	K9C027TL	001	PICTO.T PULVERISATION B	DECAL, SAFETY	PIKTOGR	ADESIVO	
013	K9C031TL	001	PICTO.T C.RINÇAGE OC ROUGE	DECAL, SAFETY	PIKTOGR	ADESIVO	
014	K9C035TL	001	PICTO.T GYROLAVEUR OC D	DECAL, SAFETY	PIKTOGR	ADESIVO	
015	K9C037TL	001	PICTO.T REFOULEMENT A	DECAL, SAFETY	PIKTOGR	ADESIVO	
016	K9C043TL	001	PICTO.T OFF JAUNE	DECAL, SAFETY	PIKTOGR	ADESIVO	
017	K9C044TL	001	PICTO.T ASPI.EXTERIEURE VM	DECAL, SAFETY	PIKTOGR	ADESIVO	
018	K9C047TL	001	PICTO.T ASPI.C.PRINC.OC VM	DECAL, SAFETY	PIKTOGR	ADESIVO	
019	K9C270TL	002	PICTO.T VANNE ASPI.EXT.REFOUL.	DECAL, SAFETY	PIKTOGR	ADESIVO	





METRIS

G40R0335 A

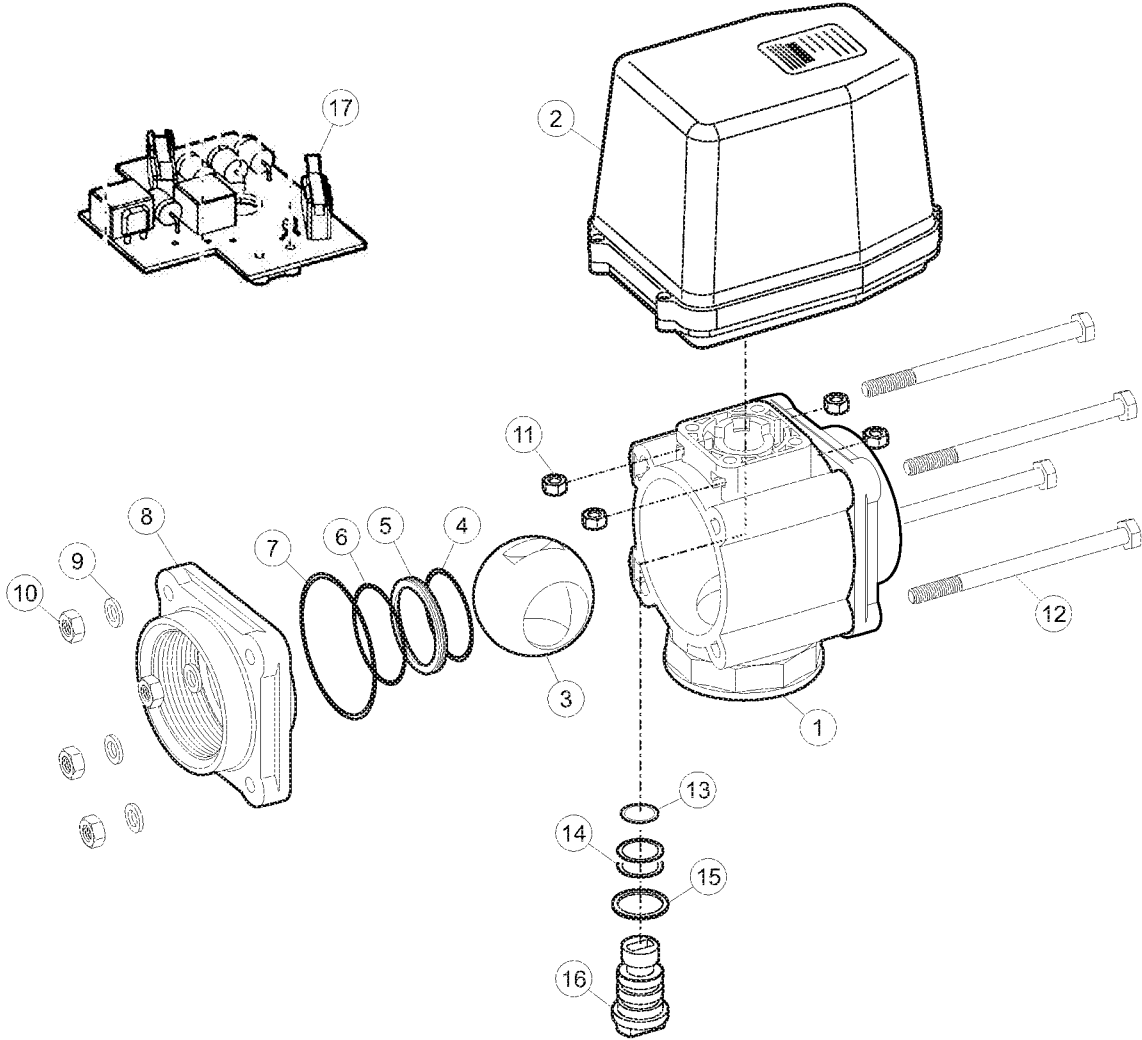
ECLAIRAGE (ELECTRIQUE)

LIGHTING (ELECTRIC)

BELEUCHTUNG (ELEKTRISCHE ANLAG

ILLUMINAZIONE (ELETTRICO)

Rep	Nr	Qt	Designation	Description	Bezeichnung	Referenza	Remarque - Remark - Bemerkung - Osservazioni
001	80060317	002	VIS TETE HEXAGONALE INOX	HEXAGON HEAD SCREW INOX	SECHSKANTSCHRAUBE INOX	VITE A TESTA ESAGONALE INOX	
002	80200341	002	ECROU HEX.BAS AUTOFR.INOX	SELF-LOCKING NUT INOX	SELBSTSICHERNDE MUTTER INOX	DADO AUTOBLOCCANTE INOX	
003	80250306	002	RONDELLE PLATE INOX A2	PLAIN WASHER INOX A2	SCHEIBE INOX A2	RONDELLA PIATTA INOX A2	
004	83233011	001	FUSIBLE ATO 2 A GRIS	FUSE ATO 2 A	SICHERUNG ATO 2 A	FUSIBILE ATO 2 A	0 A GRIS"
005	G0268562	005	COSSE	TERMINAL, WIRE	KABELSCHUH	TERMINALE	
006	G0694000	001	CONNECTEUR	CONNECTOR	STECKER	CONNETTORE	
007	G9000320	001	INTERRUPTEUR	SWITCH	SCHALTER	INTERRUTTORE	
008	G9000321	001	PLAFONNIER				
009	G9000322	001	PORTE FUSIBLE	FUSE HOLDER	SICHERUNGSHALTER	PORTA FUSIBILE	
010	G9000324	001	CAPUCHON	CAP	KAPPE	CAPPUCCIO	





METRIS

G90R0053 A

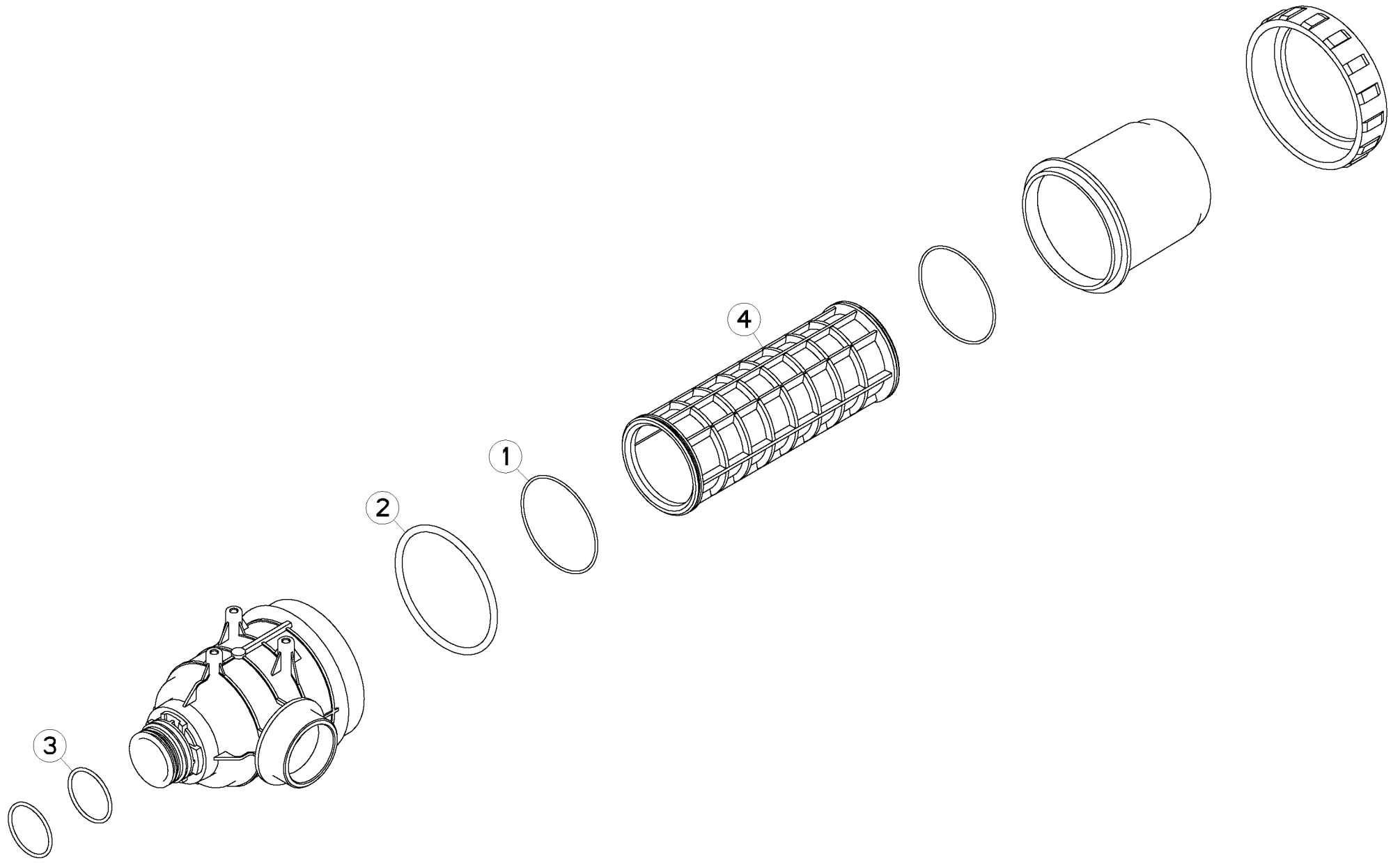
VANNE D'ASPIRATION 2"1/2 (ELEC

SUCTION VALVE 2"1/2 (ELECTRIC)

SAUGVENTIL 2"1/2 (ELEKTRISCHE

VALVOLA DI ASPIRAZIONE 2"1/2 (

Rep	Nr	Qt	Designation	Description	Bezeichnung	Referenza	Remarque - Remark - Bemerkung - Osservazioni
001	G0546241	001	CORPS DE VANNE				
002	83673149	001	MOTEUR ELECTRIQUE	MOTOR, ELECTRIC	MOTOR	MOTOR	
003	83600235	001	BOULE				
004	83668063	002	JOINT TORIQUE	O-RING	O-RING	GUARNIZIONE	
005	83600261	002	COUPELLE	CUP	SCHALE	COPPIGLIA	
006	G0549311	002	JOINT TORIQUE	O-RING	O-RING	GUARNIZIONE	
007	83668060	002	JOINT TORIQUE	O-RING	O-RING	GUARNIZIONE	
008	G0546246	002	FLASQUE FILETAGE FEMELLE 2"1/2				
009	80271003	004	RONDELLE GROWER FE/ZNXC3	SPRING LOCK WASHER FE/ZNXC3	FEDERRING FE/ZNXC3	RONDELLA GROWER FE/ZNXC3	
010	80201070	004	ECROU HEXAGONAL FE/ZNXC3	NUT FE/ZNXC3	SECHSKANTMUTTER FE/ZNXC3	DADO FE/ZNXC3	
011	80200870	004	ECROU HEXAGONAL FE/ZNXC3	NUT FE/ZNXC3	SECHSKANTMUTTER FE/ZNXC3	DADO FE/ZNXC3	
012	80061005	004	VIS TETE HEXAGONALE	HEXAGON HEAD SCREW	SECHSKANTSCHRAUBE	VITE TESTA ESAGONALE	
013	G0466124	001	JOINT PLASTIQUE				
014	G0466123	002	JOINT TORIQUE	O-RING	O-RING	GUARNIZIONE	
015	83673147	001	RONDELLE	WASHER	SCHEIBE	RONDELLA PIATTA	
016	83673148	001	ENTRAINEUR	DRIVE PIECE	MITNEHMER	FLANGIA	
017	G0549320	001	PLATINE	PLATE, MOUNTING	TRAGPLATTE	PIASTRA-SUPPORTO	





METRIS

G90R0058 A

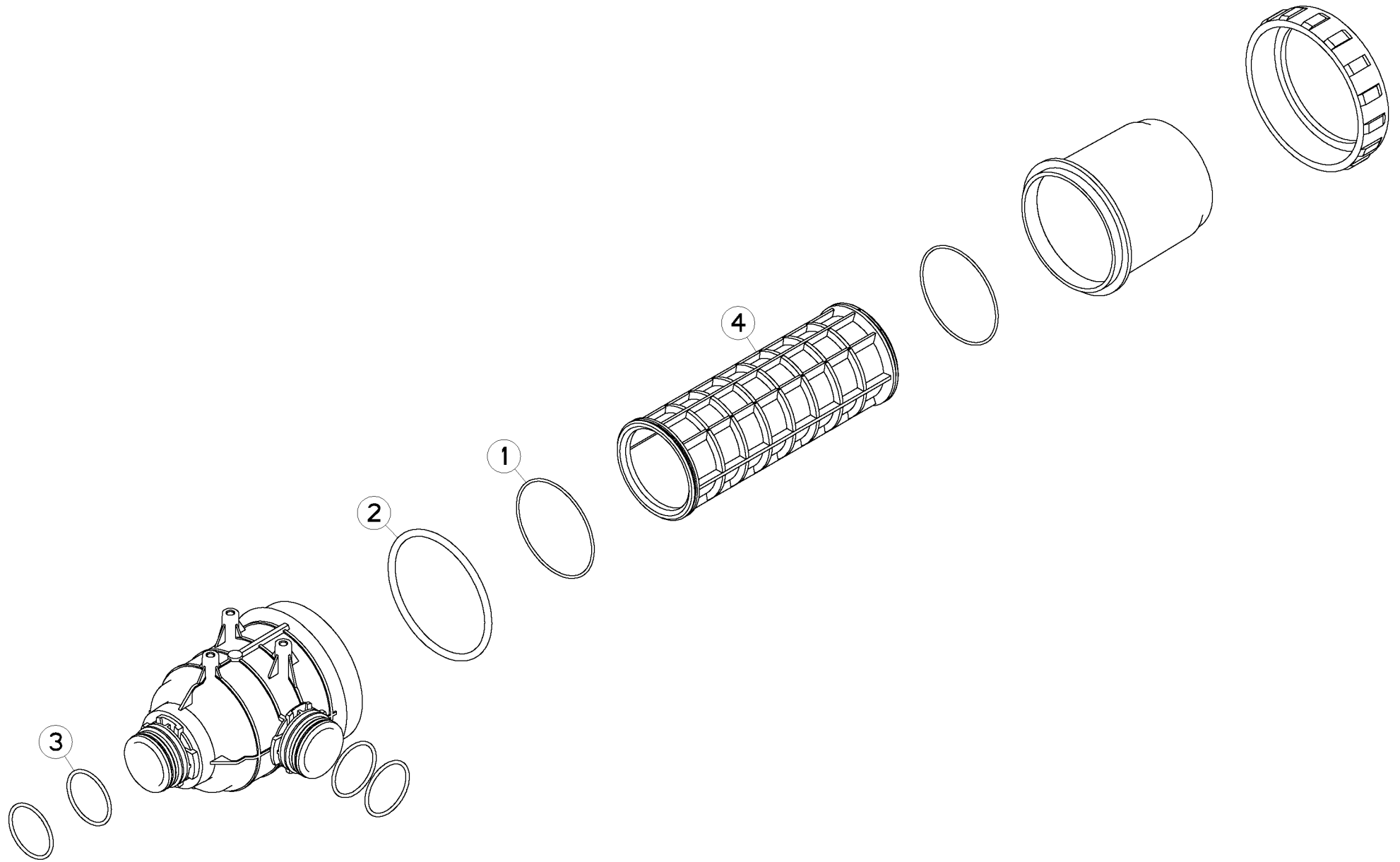
FILTRE D'ASPIRATION 32 MESH T7

SUCTION FILTER 32 MESH T7 - 2"

SAUGFILTER 32 MESH T7 - 2"1/2

FILTRO DI ASPIRAZIONE 32 MESH

Rep	Nr	Qt	Designation	Description	Bezeichnung	Referenza	Remarque - Remark - Bemerkung - Osservazioni
001	82060008	002	JOINT TORIQUE	O-RING	O-RING	GUARNIZIONE	
002	82060027	001	JOINT TORIQUE VITON VERT	O-RING	O-RING	GUARNIZIONE	
003	83673079	002	JOINT TORIQUE	O-RING	O-RING	GUARNIZIONE	
004	G0396410	001	TAMIS	SIEVE	SIEB	SETACCIO	





METRIS

G90R0059 A

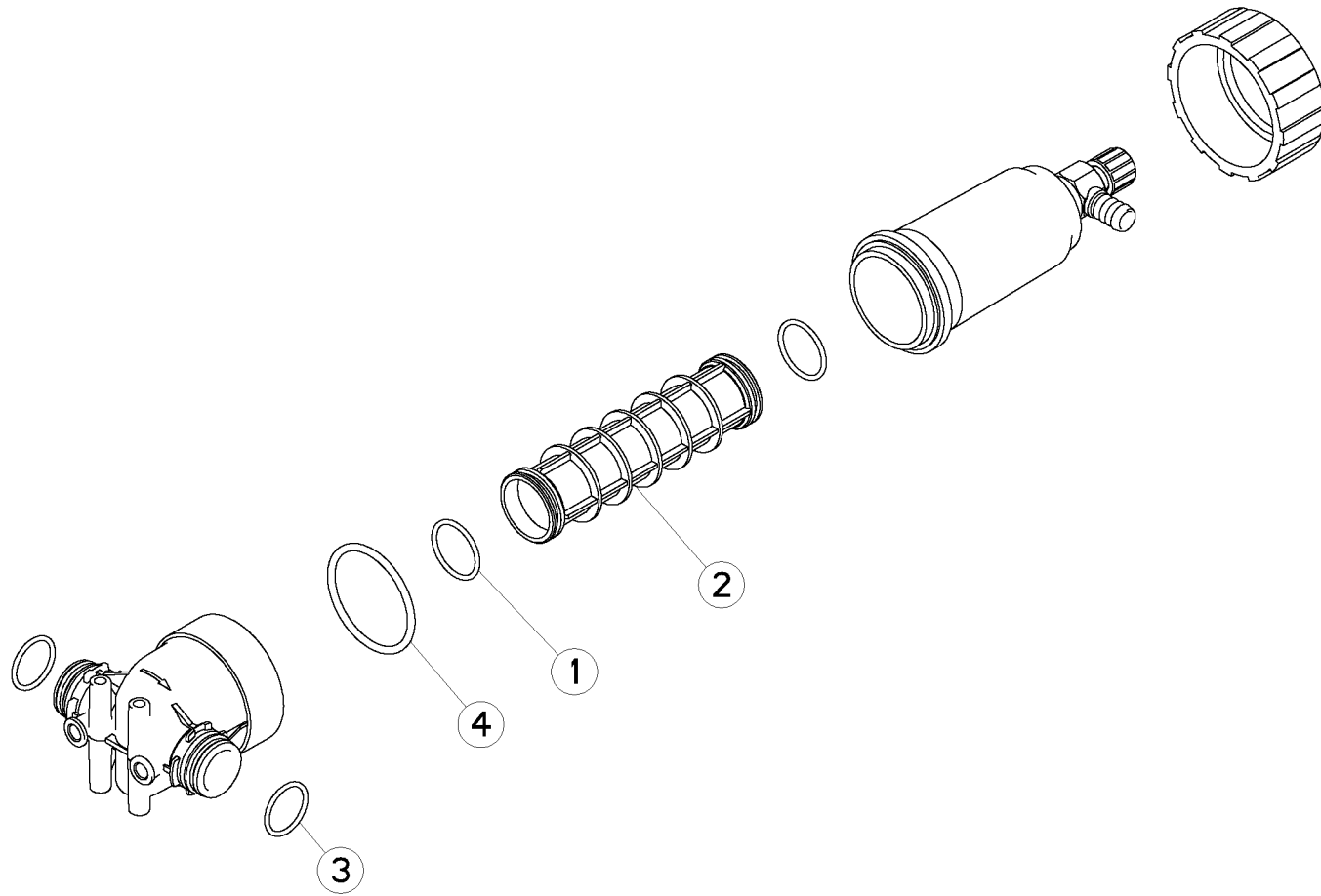
FILTRE D'ASPIRATION 32 MESH T7

SUCTION FILTER 32 MESH T7

SAUGFILTER 32 MESH T7

FILTRO DI ASPIRAZIONE 32 MESH

Rep	Nr	Qt	Designation	Description	Bezeichnung	Referenza	Remarque - Remark - Bemerkung - Osservazioni
001	82060008	002	JOINT TORIQUE	O-RING	O-RING	GUARNIZIONE	
002	82060027	001	JOINT TORIQUE VITON VERT	O-RING	O-RING	GUARNIZIONE	
003	83673079	004	JOINT TORIQUE	O-RING	O-RING	GUARNIZIONE	
004	G0396410	001	TAMIS	SIEVE	SIEB	SETACCIO	





METRIS

G90R0060 A

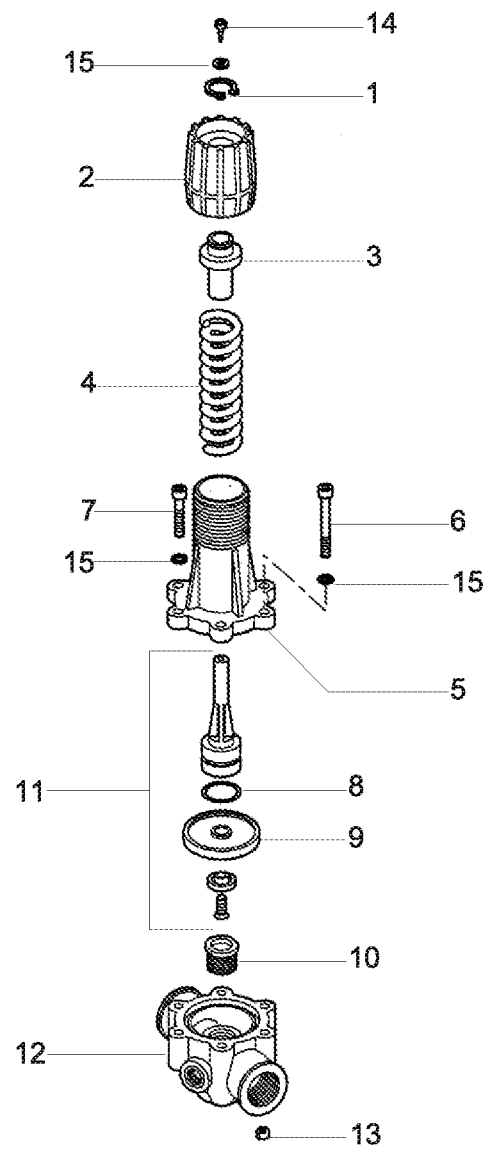
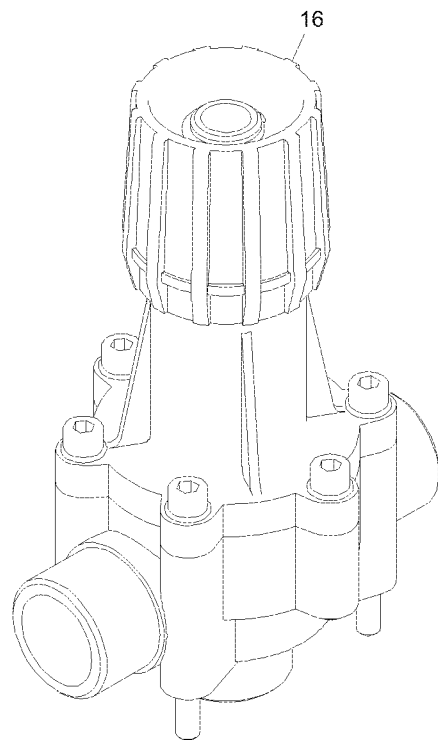
FILTRE DE PRESSION

PRESSURE FILTER

DRUCKFILTER

FILTRO DI PRESSIONE

Rep	Nr	Qt	Designation	Description	Bezeichnung	Referenza	Remarque - Remark - Bemerkung - Osservazioni
001	83668072	002	JOINT TORIQUE	O-RING	O-RING	GUARNIZIONE	
002	83673060	001	FILTRE	FILTER	FILTERPATRONE	FILTRO	
003	83673077	002	JOINT TORIQUE	O-RING	O-RING	GUARNIZIONE	
004	G0426604	001	JOINT TORIQUE	O-RING	O-RING	GUARNIZIONE	





METRIS

G30R0093 A

VANNE DE PRESSION MANUELLE

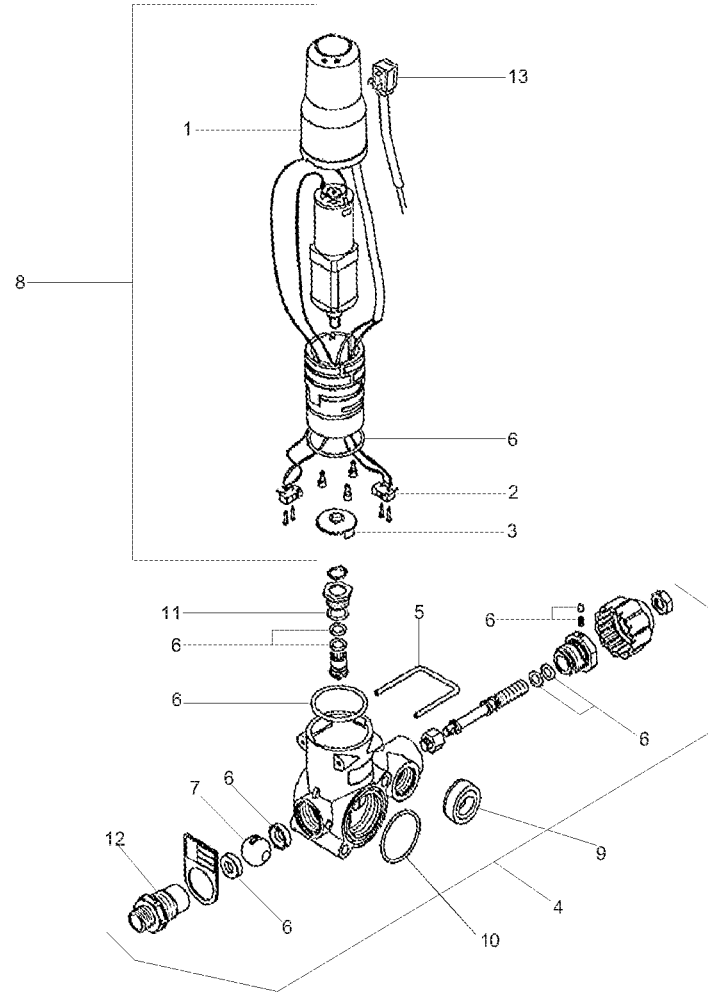
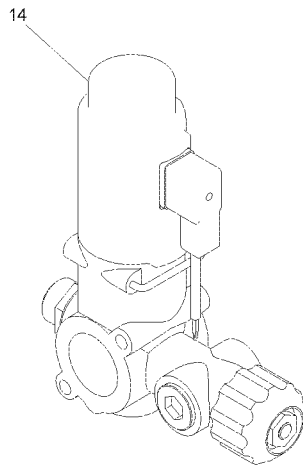
VALVE OF PRESSURE

MANUELLES DRUCKREGELVENTIL

VALVOLA DI PRESSIONE

Rep	Nr	Qt	Designation	Description	Bezeichnung	Referenza	Remarque - Remark - Bemerkung - Osservazioni
001	83600241	001	CIRCLIP	SNAP RING	SICHERUNGSRING	ANELLO ELASTICO	[1]
002	83634028	001	ECROU MOLETE NOIR 10 BARS				[1]
003	G0449832	001	GUIDE DE RESSORT				[1]
004	G0449833	001	RESSORT 10 BARS				[1]
005	G0449834	001	GUIDE 10-20 BAR				[1]
006	80080670	004	VIS TETE CYL.SIX P.CR.FE/ZNXC3	HEX.SOCK.HEAD CAP SCR.FE/ZNXC3	ZYLINDERSCHR.INNENSEC.FE/ZNXC3	VITE A TESTA CILINDR. FE/ZNXC3	[1]
007	80080640	002	VIS TETE CYL.SIX P.CR.FE/ZNXC3	HEX.SOCK.HEAD CAP SCR.FE/ZNXC3	ZYLINDERSCHR.INNENSEC.FE/ZNXC3	VITE A TESTA CILINDR. FE/ZNXC3	[1]
008	G0449837	001	JOINT TORIQUE	O-RING	O-RING	GUARNIZIONE	[1]
009	G0449838	001	MEMBRANE	DIAPHRAGM	MEMBRAN	MEMBRANA	[1]
010	G0449839	001	COQUILLE INOX				[1]
011	G0449840	001	ENS.TAMPON MEMBRANE				[1]
012	G0449841	001	CORPS	BODY	KÖRPER	CORPO	[1]
013	80200600	006	ECROU HEXAGONAL FE/ZNXC3	NUT FE/ZNXC3	SECHSKANTMUTTER FE/ZNXC3	DADO FE/ZNXC3	[1]
014	G0460024	001	VIS	SCREW	SCHRAUBE	VITE	[1]
015	A6000260	006	RONDELLE PLATE	FLAT WASHER	SCHIEBE	RONDELLA PIATTA	[1]
016	83610039	001	VANNE	VALVE, SHUT-OFF	SCHIEBER	SARACINESCA	[1]

+[1]





METRIS

G30R0095 B

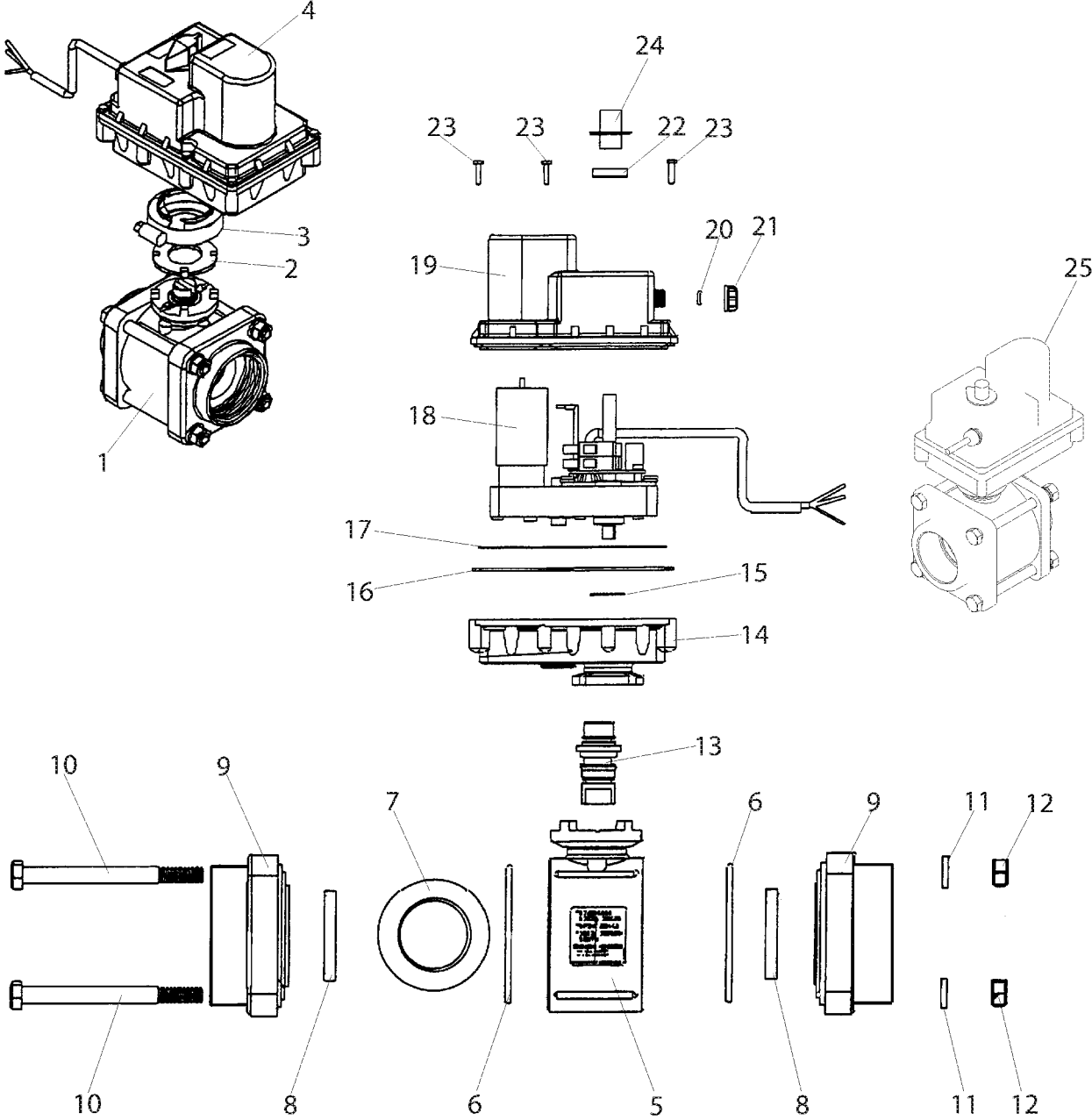
VANNE DE SECTION 0,3S (ELECTRI

SECTION VALVE 0,3S (ELECTRIC)

TEILBREITENVENTIL 0,3S (ELEKTR

VALVOLA DI SEZIONE 0,3S (ELETT

Rep	Nr	Qt	Designation	Description	Bezeichnung	Referenza	Remarque - Remark - Bemerkung - Osservazioni
001	G0397110	001	CAPOT	HOOD	HAUBE	COFANO	
002	G0397120	002	CONTACTEUR	CONTACT	VERBINDUNG	CONTATTORE	
003	G0397130	001	COUPELLE	CUP	SCHALE	COPPIGLIA	
004	G0397140	001	VANNE	VALVE, SHUT-OFF	SCHIEBER	SARACINESCA	
005	G0397150	001	AGRAFE	STAPLE	KLAMMER	AGRAFE	
006	G0397192	001	COUPELLE	CUP	SCHALE	COPPIGLIA	
007	83600223	001	BILLE	BALL	STAHLKUGEL	BIELLA	
008	G0468910	001	MOTEUR	ENGINE	MOTOR	MOTORE	
009	G0397191	001	JOINT	SEAL	DICHTUNG	GUARNIZIONE	
010	82064725	001	JOINT TORIQUE	O-RING	O-RING	GUARNIZIONE	
011	82061421	001	JOINT TORIQUE	O-RING	O-RING	GUARNIZIONE	
012	G0397115	001	RACCORD	FITTING	VERBINDUNG	RACCORDO	
013	G0397185	001	CONNECTEUR	CONNECTOR	STECKER	CONNETTORE	
014	G9000290	001	VANNE	VALVE, SHUT-OFF	SCHIEBER	SARACINESCA	





METRIS

G40R0154 A

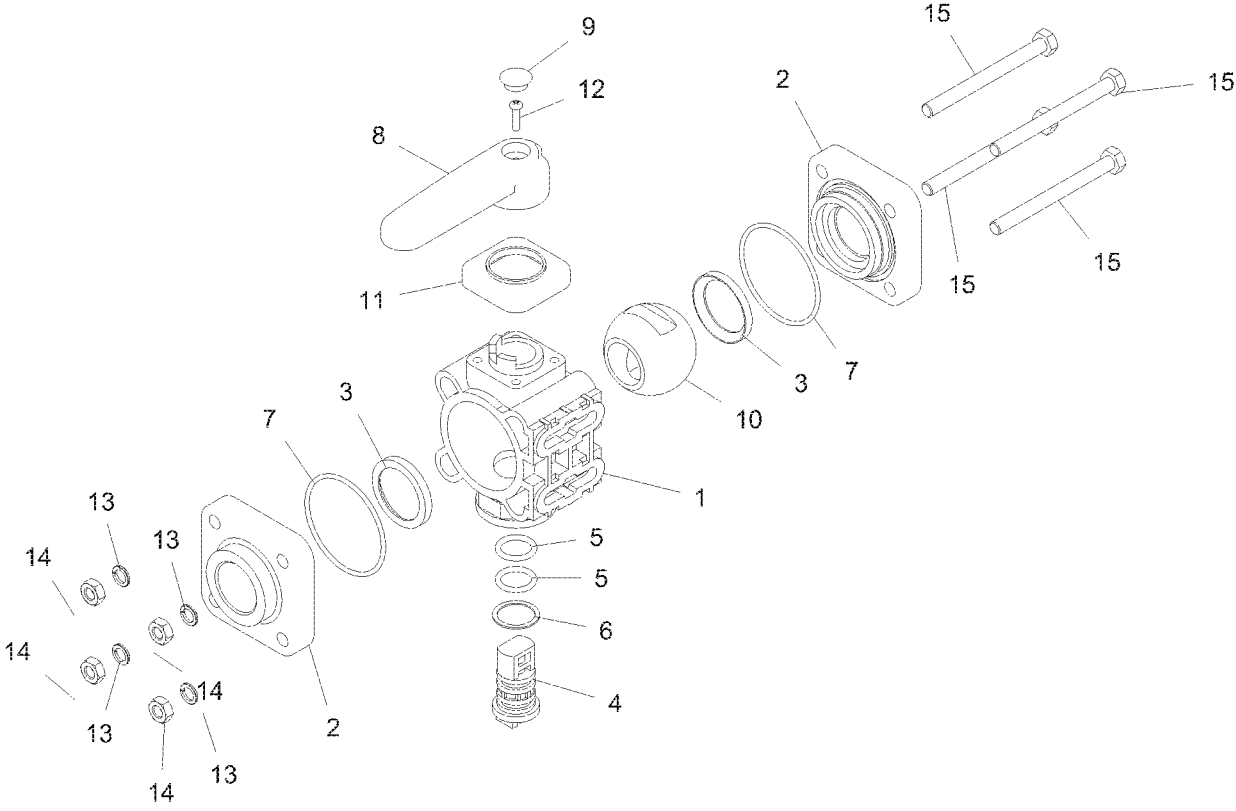
VANNE DE REGULATION 2"

REGULATION VALVE 2"

REGELVENTIL 2"

VALVOLA DI REGOLAZIONE 2"

Rep	Nr	Qt	Designation	Description	Bezeichnung	Referenza	Remarque - Remark - Bemerkung - Osservazioni
001	G0547401	001	CORPS DE VANNE COMPLET				
002	G0547402	001	GARNITURE DE BRIDE				
003	G0547403	001	BRIDE	CLAMP	BUEGEL	STAFFA	
004	G0547404	001	MOTEUR 4 SECONDE				
005	G0547411	001	CORPS DE VANNE				
006	G0547412	002	JOINT	SEAL	DICHTUNG	GUARNIZIONE	
007	G0547407	001	BILLE INOX 2"				
008	G0547410	002	COUPELLE	CUP	SCHALE	COPPIGLIA	
009	G0547405	002	FLASQUE FEM. 2"				
010	G0547413	004	VIS	SCREW	SCHRAUBE	VITE	
011	83600252	004	RONDELLE-FREIN	WASHER, TAB LOCK	SICHERUNGSBLECH	RONDELLA-FRENO	
012	G0547406	004	ECROU	NUT	MUTTER	DADO	
013	G0547409	001	PIVOT D'ENTRAINEMENT				
014	G0547424	001	CARTER BAS				
015	G0547417	001	JOINT PLAT	GASKET	DICHTUNG		
016	G0547419	001	GARNITURE				
017	G0547422	001	JOINT	SEAL	DICHTUNG	GUARNIZIONE	
018	G0547416	001	ENS. MOTEUR				
019	G0547415	001	CAPOT	HOOD	HAUBE	COFANO	
020	G0547421	001	JOINT TORIQUE	O-RING	O-RING	GUARNIZIONE	
021	G0547418	001	ECROU BOUCHON				
022	G0547420	001	JOINT A LEVRES				
023	G0547414	006	VIS	SCREW	SCHRAUBE	VITE	
024	G0861243	001	SUPPORT	SUPPORT	TRAEGER	SUPPORTO	
025	83610042	001	VANNE	VALVE, SHUT-OFF	SCHIEBER	SARACINESCA	





METRIS

G40R0152 A

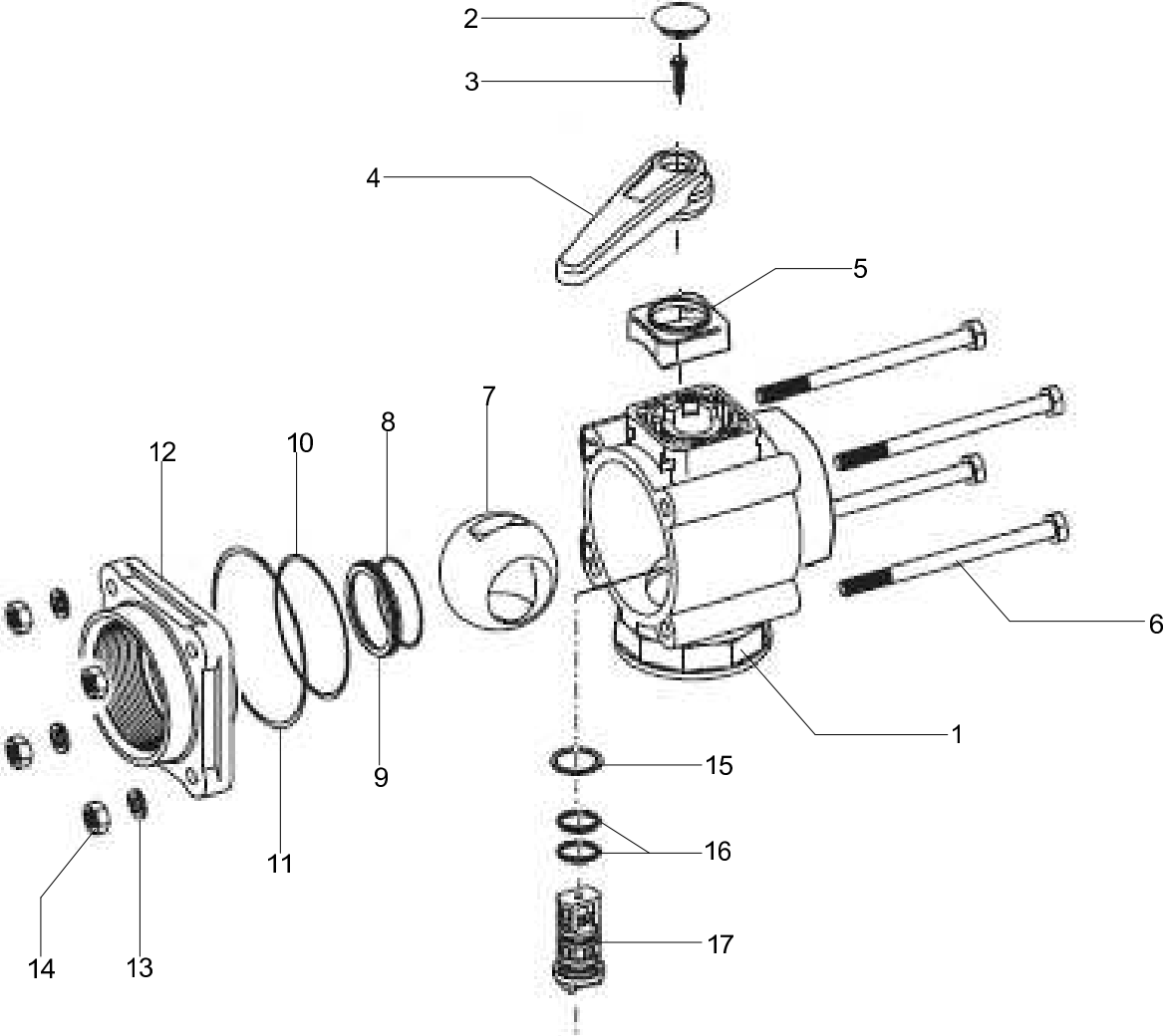
VANNES MANUELLES 1"

MANUAL VALVES 1"

HANDBETAETIGTE VENTILE 1"

VALVOLE MANUALI 1"

Rep	Nr	Qt	Designation	Description	Bezeichnung	Referenza	Remarque - Remark - Bemerkung - Osservazioni
001	G0546701	001	CORPS DE VANNE				
002	G0546702	002	FLASQUE 1"				
003	G0546703	002	COUPELLE	CUP	SCHALE	COPPIGLIA	
004	G0546704	001	ENTRAINEUR + JOINTS				
005	82062106	002	JOINT TORIQUE	O-RING	O-RING	GUARNIZIONE	
006	G0546706	001	RONDELLE	WASHER	SCHEIBE	RONDELLA PIATTA	
007	G0546707	002	JOINT TORIQUE	O-RING	O-RING	GUARNIZIONE	
008	G0546708	001	POIGNEE	HANDLE	HANDGRIFF	MANIGLIA	
009	G0546709	001	BOUCHON	PLUG	VERSCHLUSSSCHRAUBE	TAPPO	
010	G0546710	001	BOULE				
011	G0546711	001	CACHE PLASTIQUE				
012	G0546712	001	VIS	SCREW	SCHRAUBE	VITE	
013	80270883	004	RONDELLE GROWER INOX A2	WASHER, SPRING LOCK INOX A2	FEDERRING INOX A2	RONDELLA GROWER INOX A2	
014	80200804	004	ECROU HEXAGONAL INOX	HEXAGON NUT INOX	SECHSKANTMUTTER INOX	DADO INOX	
015	80060880	004	VIS TETE HEXAGONALE INOX	HEXAGON HEAD SCREW INOX	SECHSKANTSCHRAUBE INOX	VITE A TESTA ESAGONALE INOX	





METRIS

G40R0153 A

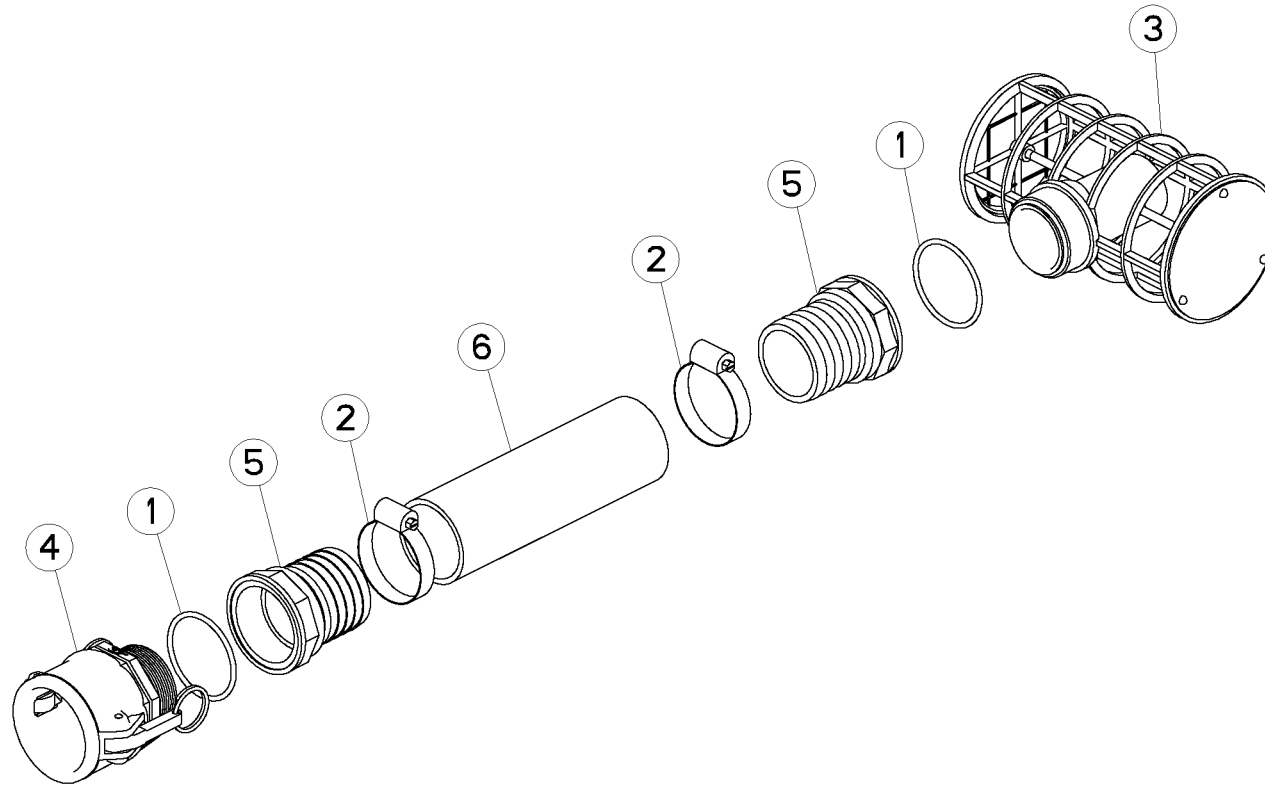
VANNES MANUELLES 2"1/2

MANUAL VALVES 2"1/2

HANDBETAETIGTE VENTILE 2"1/2

VALVOLE MANUALI 2"1/2

Rep	Nr	Qt	Designation	Description	Bezeichnung	Referenza	Remarque - Remark - Bemerkung - Osservazioni
001	G0546241	001	CORPS DE VANNE				
002	G0466108	001	BOUCHON	PLUG	VERSCHLUSSSCHRAUBE	TAPPO	
003	80100625	001	VIS TETE CYL.FENDUE INOX	SLOT,CHEES.HEAD SCREW INOX	ZYLINDERSCHAU.SCHLITZ INOX	VITE TESTA CILINDR.INOX	
004	83050024	001	POIGNEE	HANDLE	HANDGRIFF	MANIGLIA	
005	G0466121	001	CACHE PLASTIQUE				
006	80061095	004	VIS TETE HEXAGONALE INOX	HEXAGON HEAD SCREW INOX	SECHSKANTSCHRAUBE INOX	VITE A TESTA ESAGONALE INOX	
007	83600235	001	BOULE				
008	G0546243	002	JOINT TORIQUE	O-RING	O-RING	GUARNIZIONE	
009	G0546244	002	COUPELLE	CUP	SCHALE	COPPIGLIA	
010	G0549311	002	JOINT TORIQUE	O-RING	O-RING	GUARNIZIONE	
011	G0546245	002	JOINT TORIQUE	O-RING	O-RING	GUARNIZIONE	
012	G0546246	002	FLASQUE FILETAGE FEMELLE 2"1/2				
013	G0546247	004	RONDELLE	WASHER	SCHEIBE	RONDELLA PIATTA	
014	G0466122	004	ECROU	NUT	MUTTER	DADO	
015	G0466124	001	JOINT PLASTIQUE				
016	G0466123	002	JOINT TORIQUE	O-RING	O-RING	GUARNIZIONE	
017	G0466125	001	ENTRAINEUR	DRIVE PIECE	MITNEHMER	FLANGIA	
018	83610032	001	VANNE	VALVE, SHUT-OFF	SCHIEBER	SARACINESCA	





METRIS

G40R0365 A

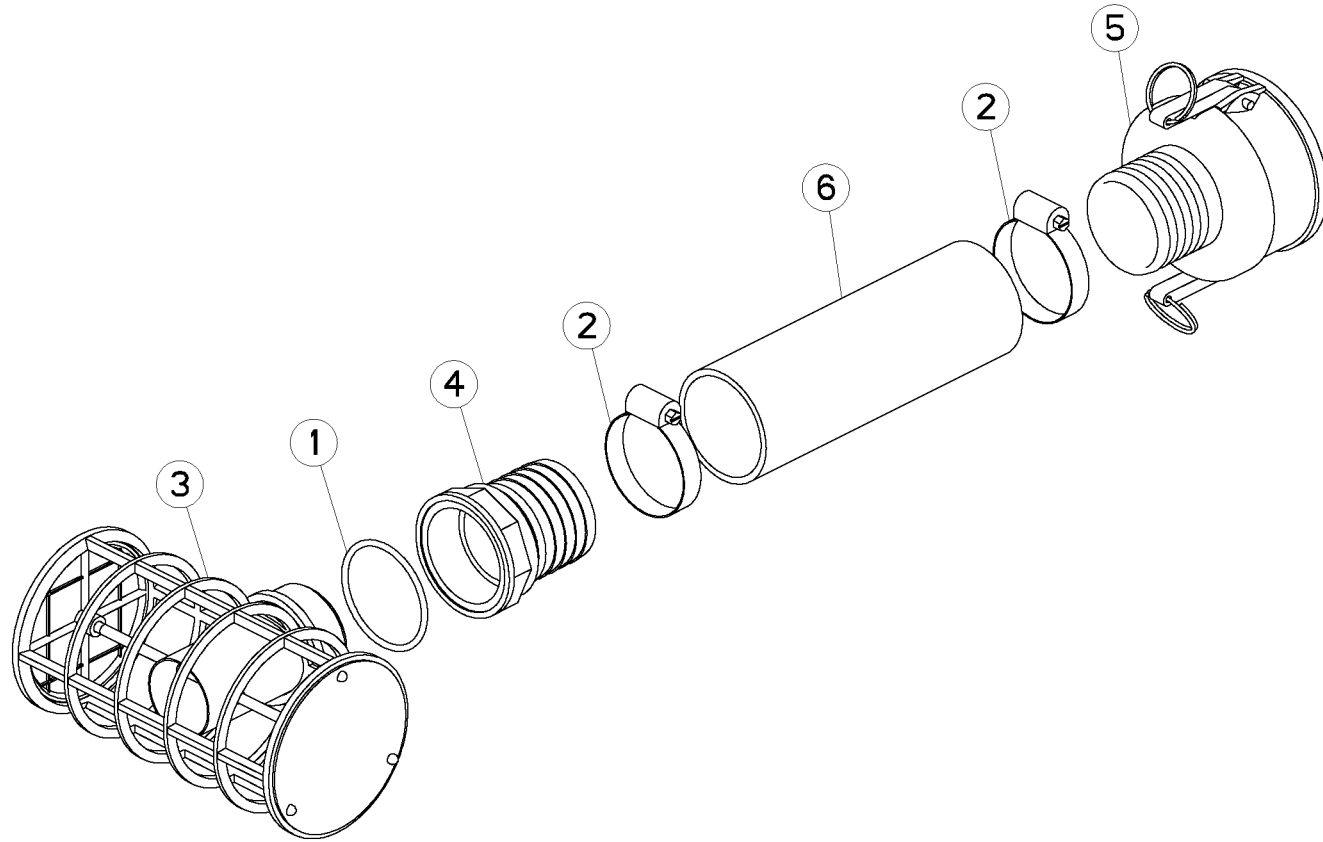
TUYAU DE REMPLISSAGE D55 2" CA

FILLER HOSE D55 2" CAM LOCK

BEFUELLSCHLAUCH D55 2" CAM LOC

TUBO DI RIEMPIMENTO D55 2" CAM

Rep	Nr	Qt	Designation	Description	Bezeichnung	Referenza	Remarque - Remark - Bemerkung - Osservazioni
001	82065835	002	JOINT TORIQUE VITON VERT	O-RING	O-RING	GUARNIZIONE	
002	83090177	002	COLLIER VIS SANS FIN INOX	CLAMP, HOSE	SCHLAUSCHELLE	COLLARE	
003	83623030	001	FILTRE	FILTER	FILTERPATRONE	FILTRO	
004	83637060	001	COUPLEUR	COUPLER	KUPPLER	GIUNTO	
005	83655063	002	RACCORD	FITTING	VERBINDUNG	RACCORDO	
006	G9101590	001	TUYAU	PIPE	ROHR	TUBO	





METRIS

G40R0366 A

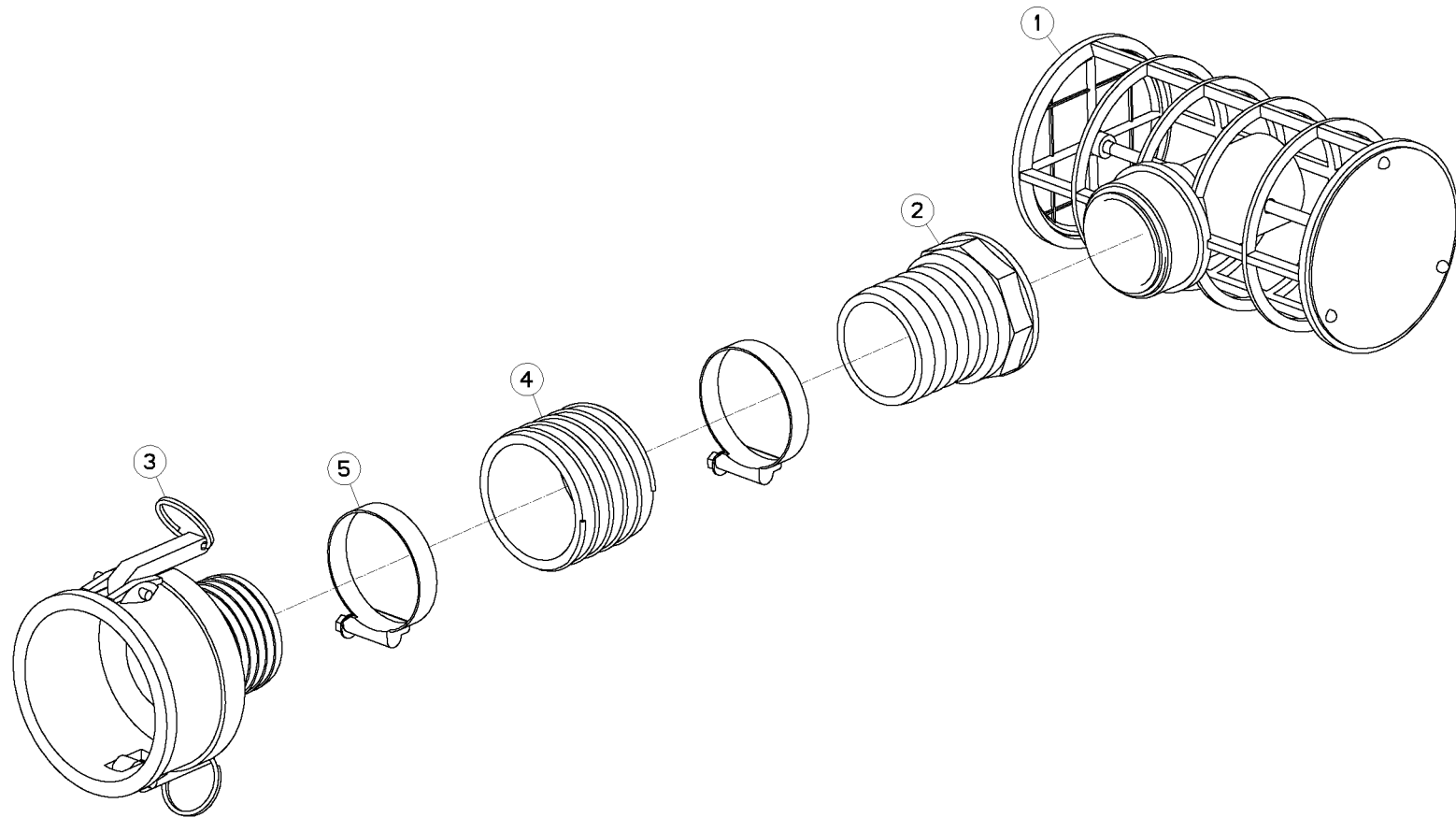
TUYAU DE REMPLISSAGE D60 3" CA

FILLER HOSE D60 3" CAM LOCK

BEFUELLSCHLAUCH D60 3" CAM LOC

TUBO DI RIEMPIMENTO D60 3" CAM

Rep	Nr	Qt	Designation	Description	Bezeichnung	Referenza	Remarque - Remark - Bemerkung - Osservazioni
001	82065835	001	JOINT TORIQUE VITON VERT	O-RING	O-RING	GUARNIZIONE	
002	83090177	002	COLLIER VIS SANS FIN INOX	CLAMP, HOSE	SCHLAUSCHELLE	COLLARE	
003	83623030	001	FILTRE	FILTER	FILTERPATRONE	FILTRO	
004	83655063	001	RACCORD	FITTING	VERBINDUNG	RACCORDO	
005	83660002	001	COUPLEUR	COUPLER	KUPPLER	GIUNTO	
006	G9101600	001	TUYAU	PIPE	ROHR	TUBO	





METRIS

G40R0362 A

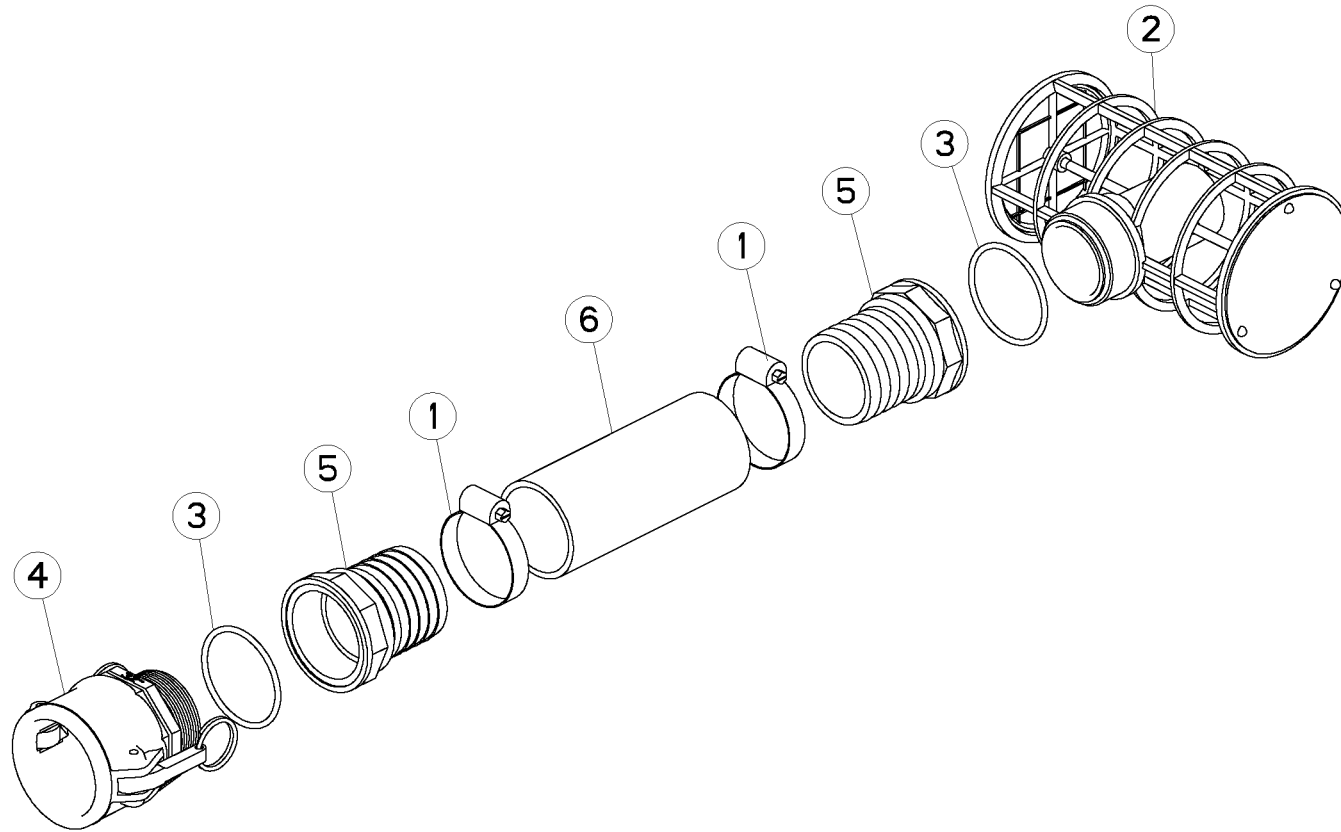
TUYAU DE REMPLISSAGE 3" - D60

FILLER HOSE 3" - D60

BEFUELLSCHLAUCH 3" - D60

TUBO DI RIEMPIMENTO 3" - D60

Rep	Nr	Qt	Designation	Description	Bezeichnung	Referenza	Remarque - Remark - Bemerkung - Osservazioni
001	83623030	001	FILTRE	FILTER	FILTERPATRONE	FILTRO	
002	83655063	001	RACCORD	FITTING	VERBINDUNG	RACCORDO	
003	83660002	001	COUPLEUR	COUPLER	KUPPLER	GIUNTO	
004	83673033	001	TUYAU	PIPE	ROHR	TUBO	Ø 60 <->5M
005	G0173900	002	COLLIER VIS SANS FIN INOX	CLAMP, HOSE	SCHLAUCHSCHELLE	COLLARE	





METRIS

G40R0363 A

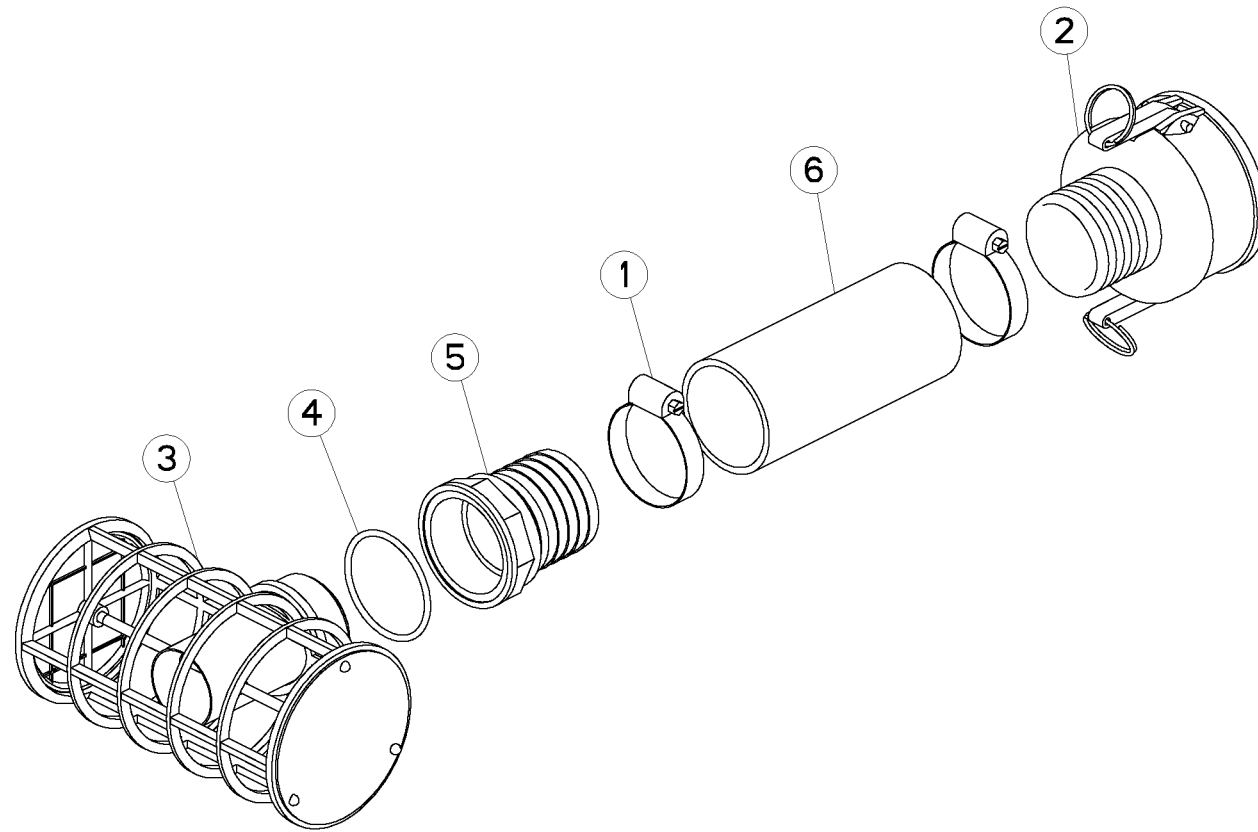
TUYAU DE REMPLISSAGE D55 2"CAM

FILLER HOSE D55 2"CAM LOCK

BEFUELLSCHLAUCH D55 2"CAM LOCK

TUBO DI RIEMPIMENTO D55 2"CAM

Rep	Nr	Qt	Designation	Description	Bezeichnung	Referenza	Remarque - Remark - Bemerkung - Osservazioni
001	83090177	002	COLLIER VIS SANS FIN INOX	CLAMP, HOSE	SCHLAUSCHELLE	COLLARE	
002	83623030	001	FILTRE	FILTER	FILTERPATRONE	FILTRO	
003	82065835	002	JOINT TORIQUE VITON VERT	O-RING	O-RING	GUARNIZIONE	
004	83637060	001	COUPLEUR	COUPLER	KUPPLER	GIUNTO	
005	83655063	002	RACCORD	FITTING	VERBINDUNG	RACCORDO	
006	G9101570	001	TUYAU	PIPE	ROHR	TUBO	





METRIS

G40R0364 A

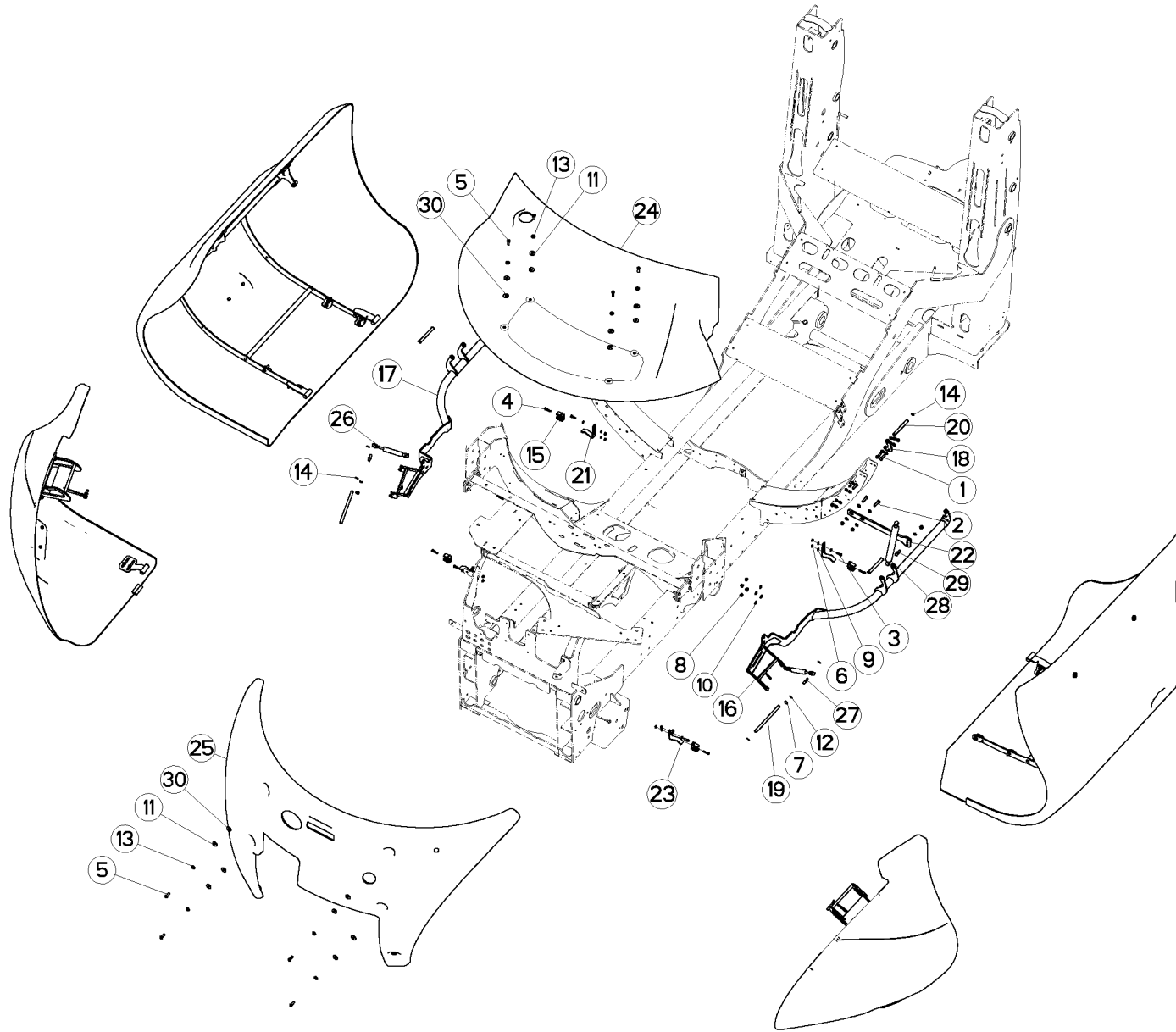
TUYAU DE REMPLISSAGE D60 3" CA

FILLER HOSE D60 3" CAM LOCK

BEFUELLSCHLAUCH D60 3" CAM LOC

TUBO DI RIEMPIMENTO D60 3" CAM

Rep	Nr	Qt	Designation	Description	Bezeichnung	Referenza	Remarque - Remark - Bemerkung - Osservazioni
001	83090177	002	COLLIER VIS SANS FIN INOX	CLAMP, HOSE	SCHLAUSCHELLE	COLLARE	
002	83660002	001	COUPLEUR	COUPLER	KUPPLER	GIUNTO	
003	83623030	001	FILTRE	FILTER	FILTERPATRONE	FILTRO	
004	82065835	001	JOINT TORIQUE VITON VERT	O-RING	O-RING	GUARNIZIONE	
005	83655063	001	RACCORD	FITTING	VERBINDUNG	RACCORDO	
006	G9101580	001	TUYAU	PIPE	ROHR	TUBO	





CARENAGE

COWLING

VERKLEIDUNGEN

CARENATURA

Rep	Nr	Qt	Designation	Description	Bezeichnung	Referenza	Remarque - Remark - Bemerkung - Osservazioni
001	80060828	008	VIS TETE HEXAGONALE INOX	HEXAGON HEAD SCREW INOX	SECHSKANTSCHRAUBE INOX	VITE A TESTA ESAGONALE INOX	
002	80060832	004	VIS TETE HEXAGONALE INOX	HEXAGON HEAD SCREW INOX	SECHSKANTSCHRAUBE INOX	VITE A TESTA ESAGONALE INOX	
003	80080621	005	VIS TETE CYL.SIX P.CRE.INOX	HEAD CAP SCREW	ZYLINDERSCHRAUBE	VITE	
004	80080627	005	VIS TETE CYL.SIX P.CRE.INOX	HEAD CAP SCREW	ZYL.-SCHR.	VITE	
005	80190825	008	VIS T.CY.BOMB.SIX P.C.INOX				
006	80200631	010	ECROU HEX.BAS AUTOFR.INOX	SELF-LOCKING NUT INOX	SELBSTSICHERNDE MUTTER INOX	DADO AUTOBLOCCANTE INOX	
007	80200804	004	ECROU HEXAGONAL INOX	HEXAGON NUT INOX	SECHSKANTMUTTER INOX	DADO INOX	
008	80200831	020	ECROU HEXAG.AUTOFREINE INOX	SELF-LOCKING NUT INOX	SELBSTSICHERNDE MUTTER INOX	DADO AUTOBLOCCANTE INOX	
009	80250601	015	RONDELLE PLATE INOX A2	PLAIN WASHER INOX A2	SCHEIBE INOX A2	RONDELLA PIATTALA INOX A2	
010	80250800	032	RONDELLE PLATE INOX A2	PLAIN WASHER INOX A2	SCHEIBE INOX A2	RONDELLA PIATTALA INOX A2	
011	80250930	008	RONDELLE PLATE INOX A2	PLAIN WASHER INOX A2	SCHEIBE INOX A2	RONDELLA PIATTA INOX A2	
012	80270802	004	RONDELLE EVENTAIL INOX A2	SERRATED LOCK WASHER INOX A2	FAECHERSCHEIBE INOX A2	RONDELLA VENTAGLIO INOX A2	
013	80271002	008	RONDELLE EVENTAIL INOX A2	SERRATED LOCK WASHER INOX A2	FAECHERSCHEIBE INOX A2	RONDELLA VENTAGLIO INOX A2	
014	80581201	012	CIRCLIP EXTERIEUR FLZNNC	RETAINING RING FLZNNC	SICHERUNGSRING FLZNNC	ANELLO FLZNNC	
015	G0425920	005	COLLIER	CLAMP, HOSE	SCHLAUCHSCHELLE	COLLARE	
016	G4003770	001	SUPPORT	SUPPORT	TRAEGER	SUPPORTO	
017	G4003800	001	SUPPORT	SUPPORT	TRAEGER	SUPPORTO	
018	G4102620	002	SUPPORT	SUPPORT	TRAEGER	SUPPORTO	
019	G4103430	002	AXE	PIN	ACHSE	ASSE	
020	G4103520	004	AXE	PIN	ACHSE	ASSE	
021	G4103950	003	GUIDE	GUIDE	FUEHRUNG	GUIDA	
022	G4104420	002	SUPPORT	SUPPORT	TRAEGER	SUPPORTO	
023	G4107300	002	GUIDE	GUIDE	FUEHRUNG	GUIDA	
024	G4200110	001	PASSERELLE	FOOTWALK	LAUFSTEG	CAVALCAVIA	
025	G4200120	001	FACADE	FRONT PANEL	FRONTPLATTE	PANNELLO FRONTALE	
026	G9000340	002	RESSORT A GAZ	GAS SPRING	GASFEDER	MOLLA A GAS	
027	G9000510	002	ROTULE	BALL JOINT	KUGELGELENK	GINOCCHIERA	
028	G9000520	002	RESSORT A GAZ	GAS SPRING	GASFEDER	MOLLA A GAS	
029	G9000530	002	ROTULE	BALL JOINT	KUGELGELENK	GINOCCHIERA	
030	G9000620	008	RONDELLE	WASHER	SCHEIBE	RONDELLA PIATTA	



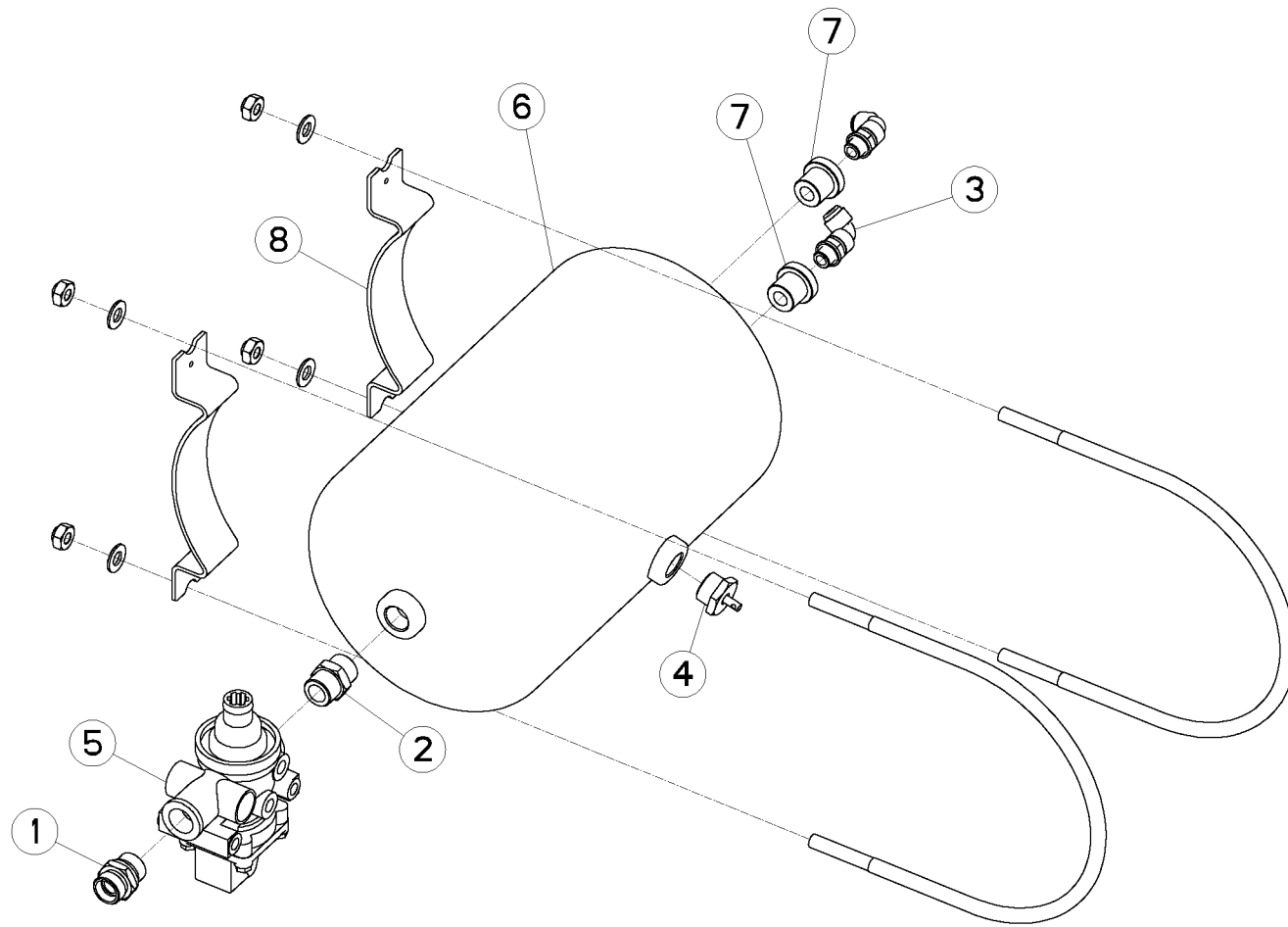
COMPRESSEUR PM METRIS

COMPRESSOR PUMP PM METRIS

KOMPRESSOR PM METRIS

COMPRESSORE PM METRIS

Rep	Nr	Qt	Designation	Description	Bezeichnung	Referenza	Remarque - Remark - Bemerkung - Osservazioni
001	80060622	001	VIS TETE HEXAGONALE INOX	HEXAGON HEAD SCREW INOX	SECHSKANTSCHRAUBE INOX	VITE A TESTA ESAGONALE INOX	
002	80060832	004	VIS TETE HEXAGONALE INOX	HEXAGON HEAD SCREW INOX	SECHSKANTSCHRAUBE INOX	VITE A TESTA ESAGONALE INOX	
003	80060842	004	VIS TETE HEXAGONALE INOX	HEXAGON HEAD SCREW INOX	SECHSKANTSCHRAUBE INOX	VITE A TESTA ESAGONALE INOX	
004	80200631	001	ECROU HEX.BAS AUTOFR.INOX	SELF-LOCKING NUT INOX	SELBSTSICHERNDE MUTTER INOX	DADO AUTOBLOCCANTE INOX	
005	80200831	008	ECROU HEXAG.AUTOFREINE INOX	SELF-LOCKING NUT INOX	SELBSTSICHERNDE MUTTER INOX	DADO AUTOBLOCCANTE INOX	
006	80250601	002	RONDELLE PLATE INOX A2	PLAIN WASHER INOX A2	SCHEIBE INOX A2	RONDELLA PIATTALA INOX A2	
007	80250800	016	RONDELLE PLATE INOX A2	PLAIN WASHER INOX A2	SCHEIBE INOX A2	RONDELLA PIATTALA INOX A2	
008	82340008	001	FILTRE POUR COMPRESSEUR				
009	83090180	002	COLLIER	CLAMP, HOSE	SCHLAUSCHELLE	COLLARE	
010	83654051	001	MANCHON	SLEEVE	MUFFE	MANICOTTO	
011	83655077	001	RACCORD	FITTING	VERBINDUNG	RACCORDO	
012	83673075	001	JOINT TORIQUE	O-RING	O-RING	GUARNIZIONE	
013	A4082422	001	UNION MALE FE/ZNNI	FITTING, HYDRAULIC, UNION	VERBINDUNG	CONNETTORE	
014	A4923123	001	FLEXIBLE	HOSE, HYDRAULIC	HYDRAULIKSCHLAUCH	TUBO IN GOMMA	<->4050 mm
015	G0469900	001	COMPRESSEUR	COMPRESSOR	KOMPRESSOR	COMPRESSORE	
016	G0546680	001	ANNEAU	RING	RING	ANELLO	
017	G0692619	001	SUPPORT	SUPPORT	TRAEGER	SUPPORTO	
018	G0693062	001	ECROU	NUT	MUTTER	DADO	
019	G0695056	001	MOYEU	HUB	NABE	MOZZO	
020	G4001170	001	SUPPORT	SUPPORT	TRAEGER	SUPPORTO	
021	G4108250	001	ACCOUPLMENT	COUPLING	KUPPLUNG	ACCOPIAMENTO	
022	G9100140	001	TUYAU	PIPE	ROHR	TUBO	
023	G9900280	001	RACCORD	FITTING	VERBINDUNG	RACCORDO	





METRIS

G40R0241 A

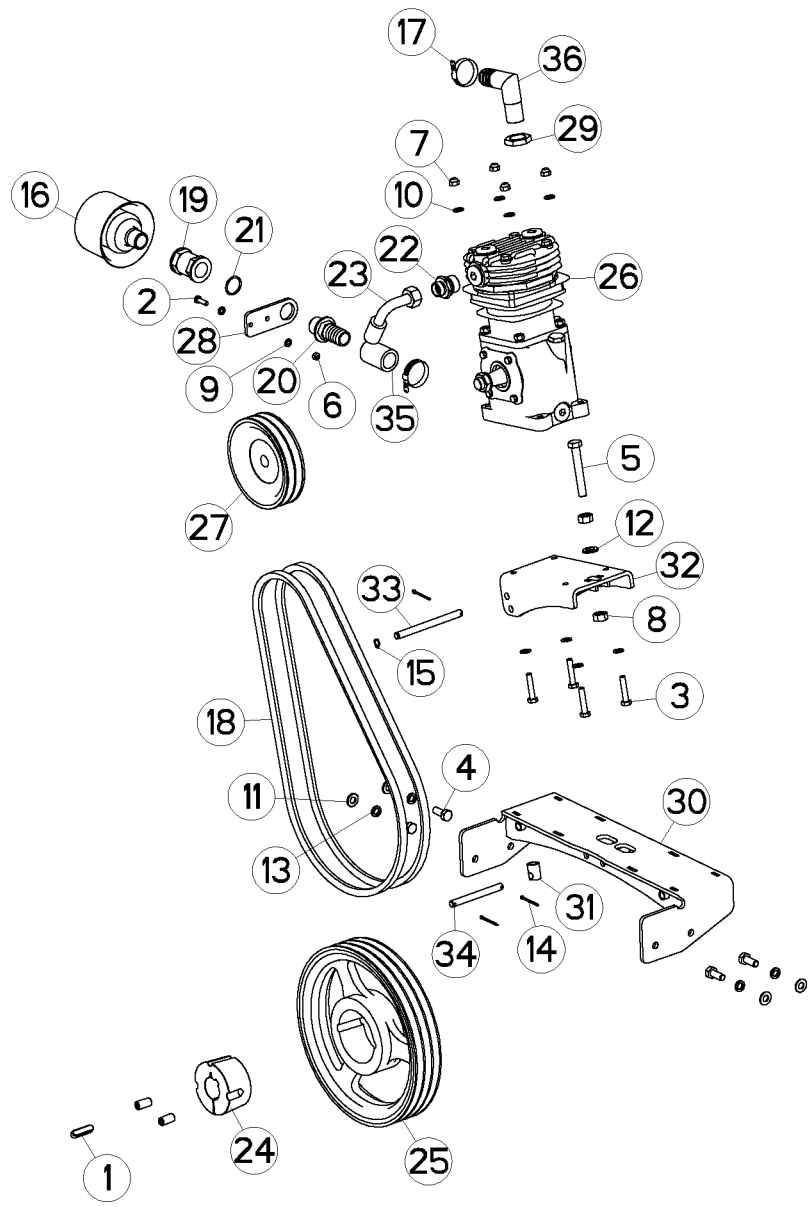
RESERVOIR 10L

TANK 10L

TANK 10L

SERBATOIO 10L

Rep	Nr	Qt	Designation	Description	Bezeichnung	Referenza	Remarque - Remark - Bemerkung - Osservazioni
001	A4082421	001	UNION MALE FE/ZNNI	FITTING, HYDRAULIC, UNION	VERBINDUNG	CONNETTORE	
002	G0151520	001	ADAPTATEUR	FITTING, HYDRAULIC, ADAPTER	ANBAUELEMENT	ADATTATORE	
003	G0437990	002	EQUERRE	GUSSET, CORNER	WINKEL	SQUADRA	
004	G0445213	001	VALVE	VALVE	VENTIL	VALVOLA	
005	G0469930	001	REGULATEUR	REGULATOR	STEUERVORRICHTUNG	CORRETTORE	
006	G0540500	001	RESERVOIR	RESERVOIR	TANK	SERBATOIO	
007	G0693057	002	REDUCTION	ADAPTER, REDUCER	REDUZIERUNG	RIDUZIONE	
008	G9000470	002	COLLIER	CLAMP, HOSE	SCHLAUCHSCHELLE	COLLARE	





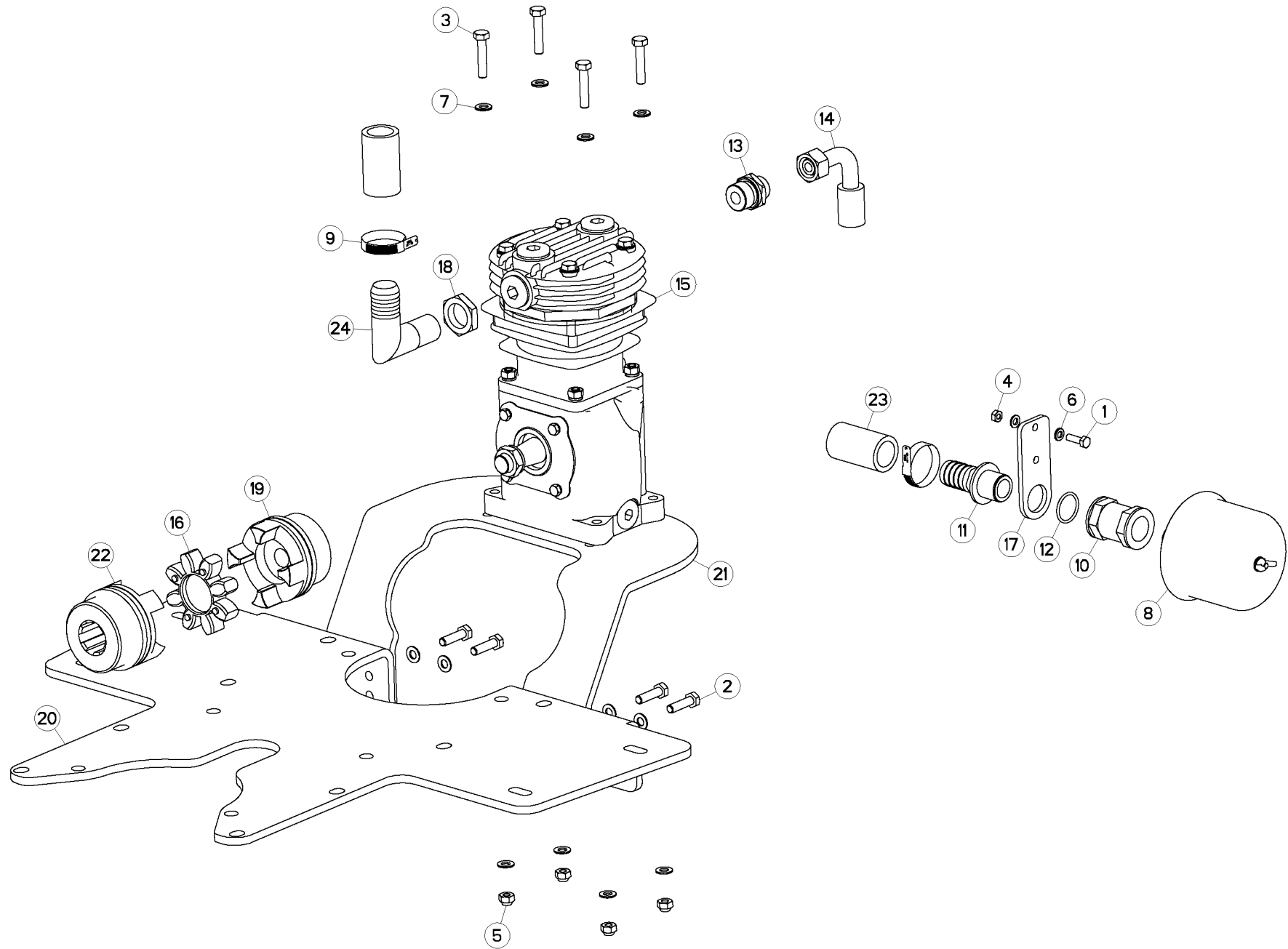
COMPRESSEUR PC700 METRIS

COMPRESSOR PUMP PC700 METRIS

KOMPRESSOR PC700 METRIS

COMPRESSORE PC700 METRIS

Rep	Nr	Qt	Designation	Description	Bezeichnung	Referenza	Remarque - Remark - Bemerkung - Osservazioni
001	58551300	001	CLAVETTE A	PARALLEL KEY A	PASSFEDER A	CHIAVETTA	
002	80060622	001	VIS TETE HEXAGONALE INOX	HEXAGON HEAD SCREW INOX	SECHSKANTSCHRAUBE INOX	VITE A TESTA ESAGONALE INOX	
003	80060842	004	VIS TETE HEXAGONALE INOX	HEXAGON HEAD SCREW INOX	SECHSKANTSCHRAUBE INOX	VITE A TESTA ESAGONALE INOX	
004	80061027	004	VIS TETE HEXAGONALE INOX	HEXAGON HEAD SCREW INOX	SECHSKANTSCHRAUBE INOX	VITE A TESTA ESAGONALE INOX	
005	80061202	001	VIS TETE HEXAGONALE INOX	HEXAGON HEAD SCREW INOX	SECHSKANTSCHRAUBE INOX	VITE A TESTA ESAGONALE INOX	
006	80200631	001	ECROU HEX.BAS AUTOFR.INOX	SELF-LOCKING NUT INOX	SELBSTSICHERNDE MUTTER INOX	DADO AUTOBLOCCANTE INOX	
007	80200831	004	ECROU HEXAG.AUTOFREINE INOX	SELF-LOCKING NUT INOX	SELBSTSICHERNDE MUTTER INOX	DADO AUTOBLOCCANTE INOX	
008	80201272	002	ECROU HEXAGONAL INOX	HEXAGON NUT INOX	SECHSKANTMUTTER INOX	DADO INOX	
009	80250601	002	RONDELLE PLATE INOX A2	PLAIN WASHER INOX A2	SCHEIBE INOX A2	RONDELLA PIATTALA INOX A2	
010	80250800	008	RONDELLE PLATE INOX A2	PLAIN WASHER INOX A2	SCHEIBE INOX A2	RONDELLA PIATTALA INOX A2	
011	80251005	004	RONDELLE PLATE INOX A2	PLAIN WASHER INOX A2	SCHEIBE INOX A2	RONDELLA PIATTALA INOX A2	
012	80251200	001	RONDELLE PLATE INOX A2	PLAIN WASHER INOX A2	SCHEIBE INOX A2	RONDELLA PIATTALA INOX A2	
013	80271083	004	RONDELLE GROWER INOX A2	WASHER, SPRING LOCK INOX A2	FEDERRING INOX A2	RONDELLA GROWER INOX A2	
014	80500231	003	GOUPILLE FENDUE INOX				
015	80581001	001	CIRCLIP EXTERIEUR FLZNNC	RETAINING RING FLZNNC	SICHERUNGSRING FLZNNC	ANELLO FLZNNC	
016	82340008	001	FILTRE POUR COMPRESSEUR				
017	83090180	002	COLLIER	CLAMP, HOSE	SCHLAUCHSCHELLE	COLLARE	
018	83101202	002	COURROIE TRAPEZOIDALE	BELT, V	KEILRIEMEN	CINGHIE TRAPEZOIDALI	
019	83654051	001	MANCHON	SLEEVE	MUFFE	MANICOTTO	
020	83655077	001	RACCORD	FITTING	VERBINDUNG	RACCORDO	
021	83673075	001	JOINT TORIQUE	O-RING	O-RING	GUARNIZIONE	
022	A4082422	001	UNION MALE FE/ZNNI	FITTING, HYDRAULIC, UNION	VERBINDUNG	CONNETTORE	
023	A4923127	001	FLEXIBLE	HOSE, HYDRAULIC	HYDRAULIKSCHLAUCH	TUBO IN GOMMA	<->4850 mm
024	G0439610	001	MOYEU COMPLET	HUB, ASSEMBLY	NABE KPL.	MOZZO	
025	G0440000	001	POULIE	PULLEY	RIEMENSCHLEIBE	PULEGGIA	
026	G0469900	001	COMPRESSEUR	COMPRESSOR	KROMPRESSOR	COMPRESSORE	
027	G0692051	001	POULIE	PULLEY	RIEMENSCHLEIBE	PULEGGIA	
028	G0692619	001	SUPPORT	SUPPORT	TRAEGER	SUPPORTO	
029	G0693062	001	ECROU	NUT	MUTTER	DADO	
030	G4002110	001	SUPPORT	SUPPORT	TRAEGER	SUPPORTO	
031	G4002120	001	TENDEUR	TENSIONER	SPANNER	TENDITORE	
032	G4002130	001	CHARNIERE	HINGE	SCHARNIER	SNODO	
033	G4104220	001	AXE	PIN	ACHSE	ASSE	
034	G4104230	001	AXE	PIN	ACHSE	ASSE	
035	G9100540	001	TUYAU	PIPE	ROHR	TUBO	
036	G9900280	001	RACCORD	FITTING	VERBINDUNG	RACCORDO	





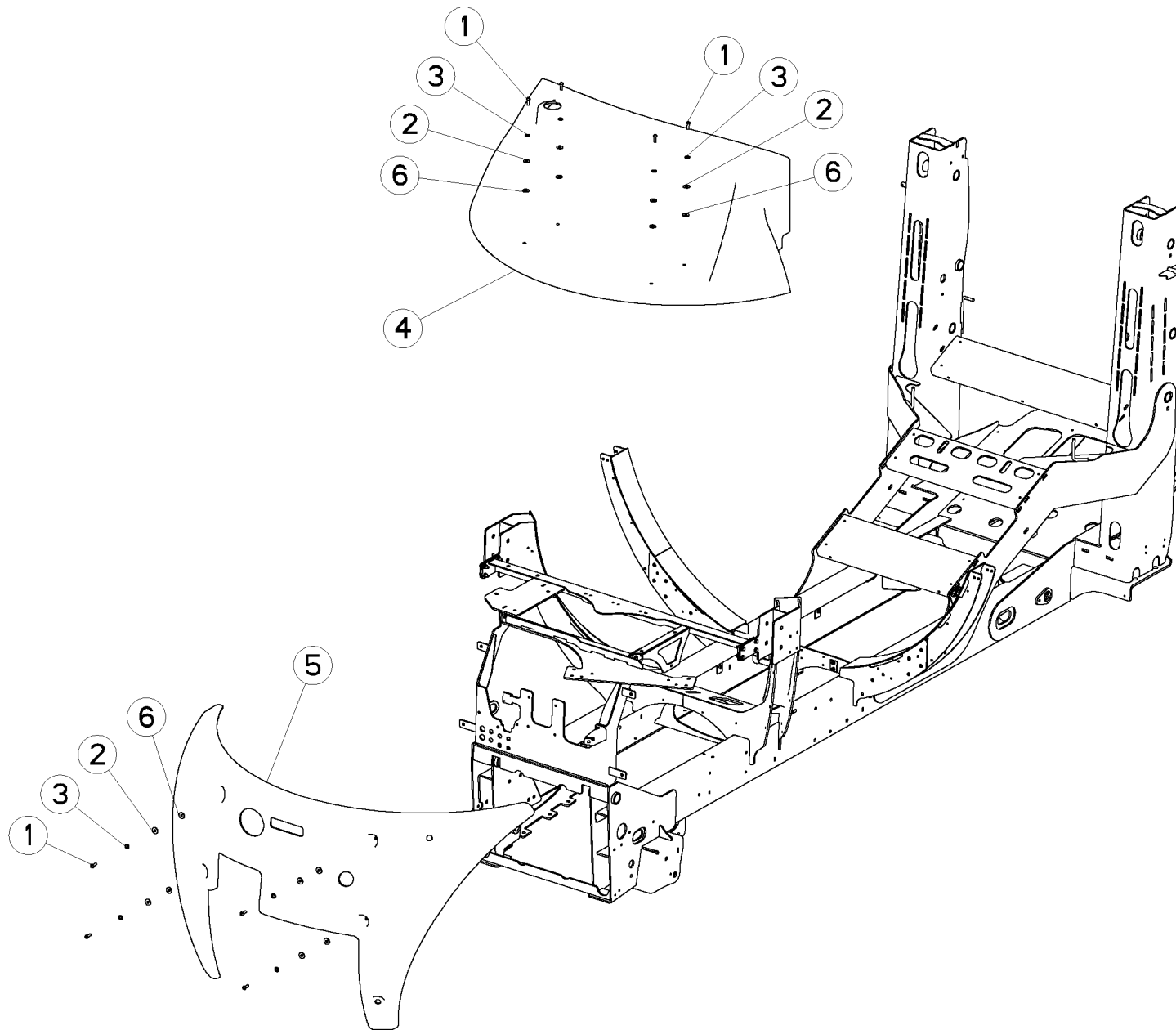
COMPRESSEUR PM OC 45/56

COMPRESSOR PUMP PM OC 45/56

KOMPRESSOR PM OC 45/56

COMPRESSORE PM OC 45/56

Rep	Nr	Qt	Designation	Description	Bezeichnung	Referenza	Remarque - Remark - Bemerkung - Osservazioni
001	80060622	001	VIS TETE HEXAGONALE INOX	HEXAGON HEAD SCREW INOX	SECHSKANTSCHRAUBE INOX	VITE A TESTA ESAGONALE INOX	
002	80060832	004	VIS TETE HEXAGONALE INOX	HEXAGON HEAD SCREW INOX	SECHSKANTSCHRAUBE INOX	VITE A TESTA ESAGONALE INOX	
003	80060842	004	VIS TETE HEXAGONALE INOX	HEXAGON HEAD SCREW INOX	SECHSKANTSCHRAUBE INOX	VITE A TESTA ESAGONALE INOX	
004	80200631	001	ECROU HEX.BAS AUTOFR.INOX	SELF-LOCKING NUT INOX	SELBSTSICHERNDE MUTTER INOX	DADO AUTOBLOCCANTE INOX	
005	80200831	008	ECROU HEXAG.AUTOFREINE INOX	SELF-LOCKING NUT INOX	SELBSTSICHERNDE MUTTER INOX	DADO AUTOBLOCCANTE INOX	
006	80250601	002	RONDELLE PLATE INOX A2	PLAIN WASHER INOX A2	SCHEIBE INOX A2	RONDELLA PIATTALA INOX A2	
007	80250800	016	RONDELLE PLATE INOX A2	PLAIN WASHER INOX A2	SCHEIBE INOX A2	RONDELLA PIATTALA INOX A2	
008	82340008	001	FILTRE POUR COMPRESSEUR				
009	83090180	002	COLLIER	CLAMP, HOSE	SCHLAUCHSCHELLE	COLLARE	
010	83654051	001	MANCHON	SLEEVE	MUFFE	MANICOTTO	
011	83655077	001	RACCORD	FITTING	VERBINDUNG	RACCORDO	
012	83673075	001	JOINT TORIQUE	O-RING	O-RING	GUARNIZIONE	
013	A4082422	001	UNION MALE FE/ZNNI	FITTING, HYDRAULIC, UNION	VERBINDUNG	CONNETTORE	
014	A4923170	001	FLEXIBLE	HOSE, HYDRAULIC	HYDRAULIKSCHLAUCH	TUBO IN GOMMA	<->3700 mm
015	G0469900	001	COMPRESSEUR	COMPRESSOR	KOMPRESSOR	COMPRESSORE	
016	G0546680	001	ANNEAU	RING	RING	ANELLO	
017	G0692619	001	SUPPORT	SUPPORT	TRAEGER	SUPPORTO	
018	G0693062	001	ECROU	NUT	MUTTER	DADO	
019	G0695056	001	MOYEU	HUB	NABE	MOZZO	
020	G0860099	001	SUPPORT	SUPPORT	TRAEGER	SUPPORTO	
021	G0860146	001	PLAQUE	PLATE	PLATTE	PIASTRA	
022	G4108250	001	ACCOUPLMENT	COUPLING	KUPPLUNG	ACCOPIAMENTO	
023	G9100140	002	TUYAU	PIPE	ROHR	TUBO	
024	G9900280	001	RACCORD	FITTING	VERBINDUNG	RACCORDO	





METRIS

G40R0287 A

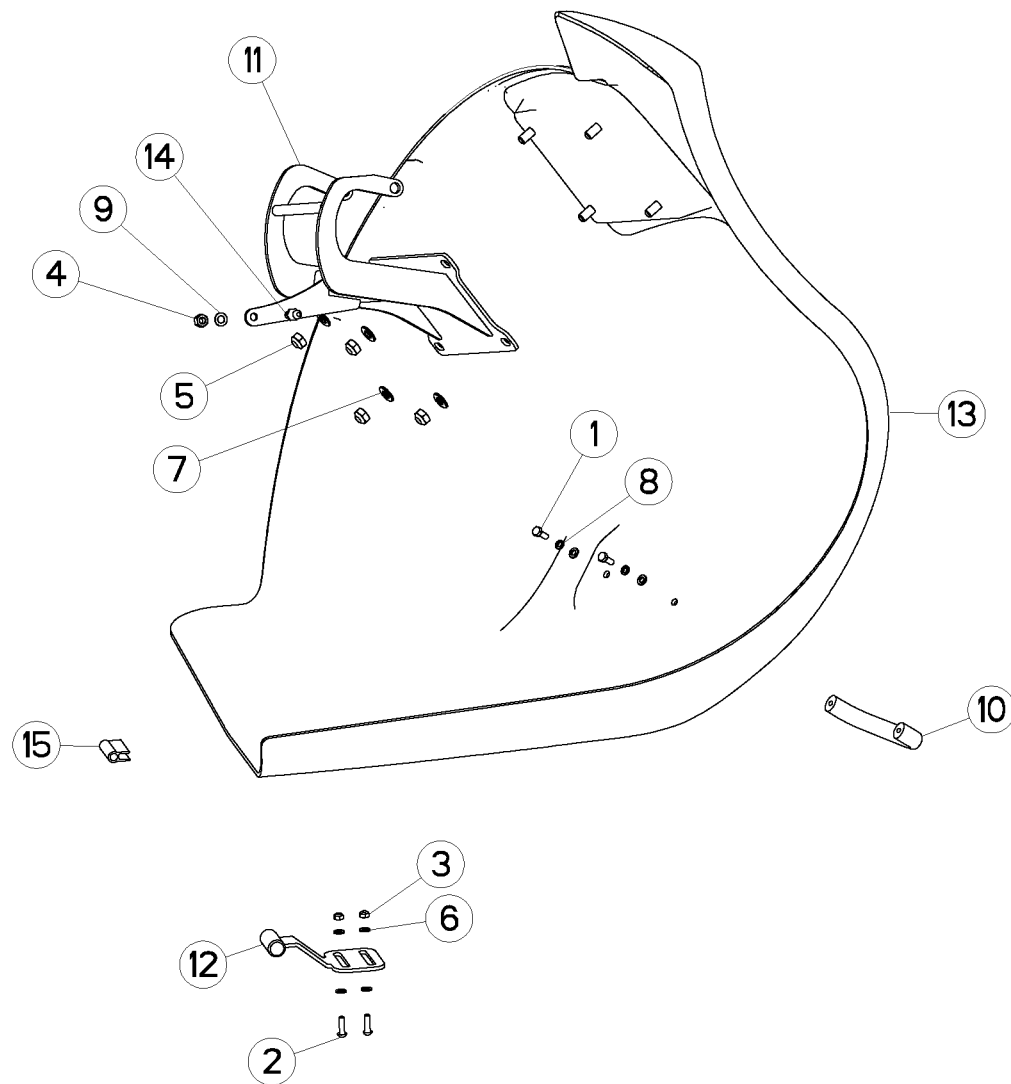
CARENAGE (AVANT)

COWLING (FRONT)

VERKLEIDUNGEN (VORN)

CARENATURA (ANTERIORE)

Rep	Nr	Qt	Designation	Description	Bezeichnung	Referenza	Remarque - Remark - Bemerkung - Osservazioni
001	80190825	008	VIS T.CY.BOMB.SIX P.C.INOX				
002	80250930	008	RONDELLE PLATE INOX A2	PLAIN WASHER INOX A2	SCHEIBE INOX A2	RONDELLA PIATTA INOX A2	
003	80271002	008	RONDELLE EVENTAIL INOX A2	SERRATED LOCK WASHER INOX A2	FAECHERSCHEIBE INOX A2	RONDELLA VENTAGLIO INOX A2	
004	G4200110	001	PASSERELLE	FOOTWALK	LAUFSTEG	CAVALCAVIA	
005	G4200120	001	FACADE	FRONT PANEL	FRONTPLATTE	PANNELLO FRONTALE	
006	G9000620	008	RONDELLE	WASHER	SCHEIBE	RONDELLA PIATTA	





METRIS

G40R0212 B

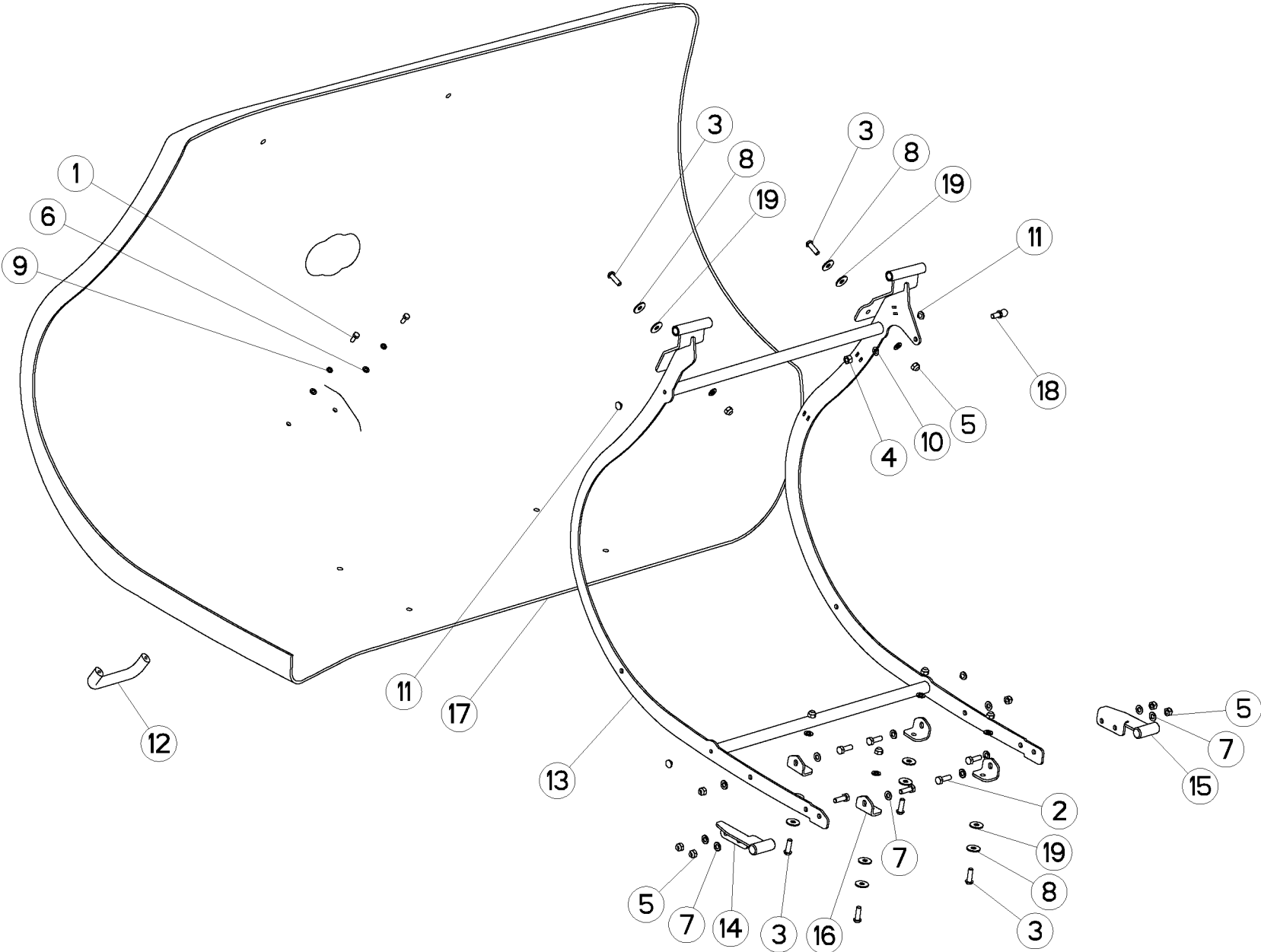
PORTE DROIT

DOOR RIGHT

TÜR RECHTS

PORTA DESTRO

Rep	Nr	Qt	Designation	Description	Bezeichnung	Referenza	Remarque - Remark - Bemerkung - Osservazioni
001	80060618	002	VIS TETE HEXAGONALE INOX	HEXAGON HEAD SCREW INOX	SECHSKANTSCHRAUBE INOX	VITE A TESTA ESAGONALE INOX	
002	80190621	002	VIS T.CY.BOMB.SIX P.C.INOX	HEX.SOC.BUTT.HEAD SCR.INOX	FLACHKOPFSCHR.INNENSE.INOX	VITE INOX	
003	80200631	002	ECROU HEX.BAS AUTOFR.INOX	SELF-LOCKING NUT INOX	SELBSTSICHERNDE MUTTER INOX	DADO AUTOBLOCCANTE INOX	
004	80200804	001	ECROU HEXAGONAL INOX	HEXAGON NUT INOX	SECHSKANTMUTTER INOX	DADO INOX	
005	80201049	004	ECROU HEX.BAS AUTOFR.INOX	SELF-LOCKING NUT INOX	SELBSTSICHERNDE MUTTER INOX	DADO AUTOBLOCCANTE INOX	
006	80250601	006	RONDELLE PLATE INOX A2	PLAIN WASHER INOX A2	SCHEIBE INOX A2	RONDELLA PIATTALA INOX A2	
007	80251005	004	RONDELLE PLATE INOX A2	PLAIN WASHER INOX A2	SCHEIBE INOX A2	RONDELLA PIATTALA INOX A2	
008	80270683	002	RONDELLE GROWER INOX A2	WASHER, SPRING LOCK INOX A2	FEDERRING INOX A2	RONDELLA GROWER INOX A2	
009	80270802	001	RONDELLE EVENTAIL INOX A2	SERRATED LOCK WASHER INOX A2	FAECHERSCHEIBE INOX A2	RONDELLA VENTAGLIO INOX A2	
010	83050029	001	POIGNEE PLASTIFIEE EM				
011	G4001750	001	CHARNIERE	HINGE	SCHARNIER	SNODO	
012	G4005440	001	VERROU	LATCH	RIEGEL	LEVA	
013	G4200140	001	PORTE	DOOR	TÜR		
014	G9000510	001	ROTULE	BALL JOINT	KUGELGELENK	GINOCCHIERA	
015	G9001180	001	JOINT	SEAL	DICHTUNG	GUARNIZIONE	





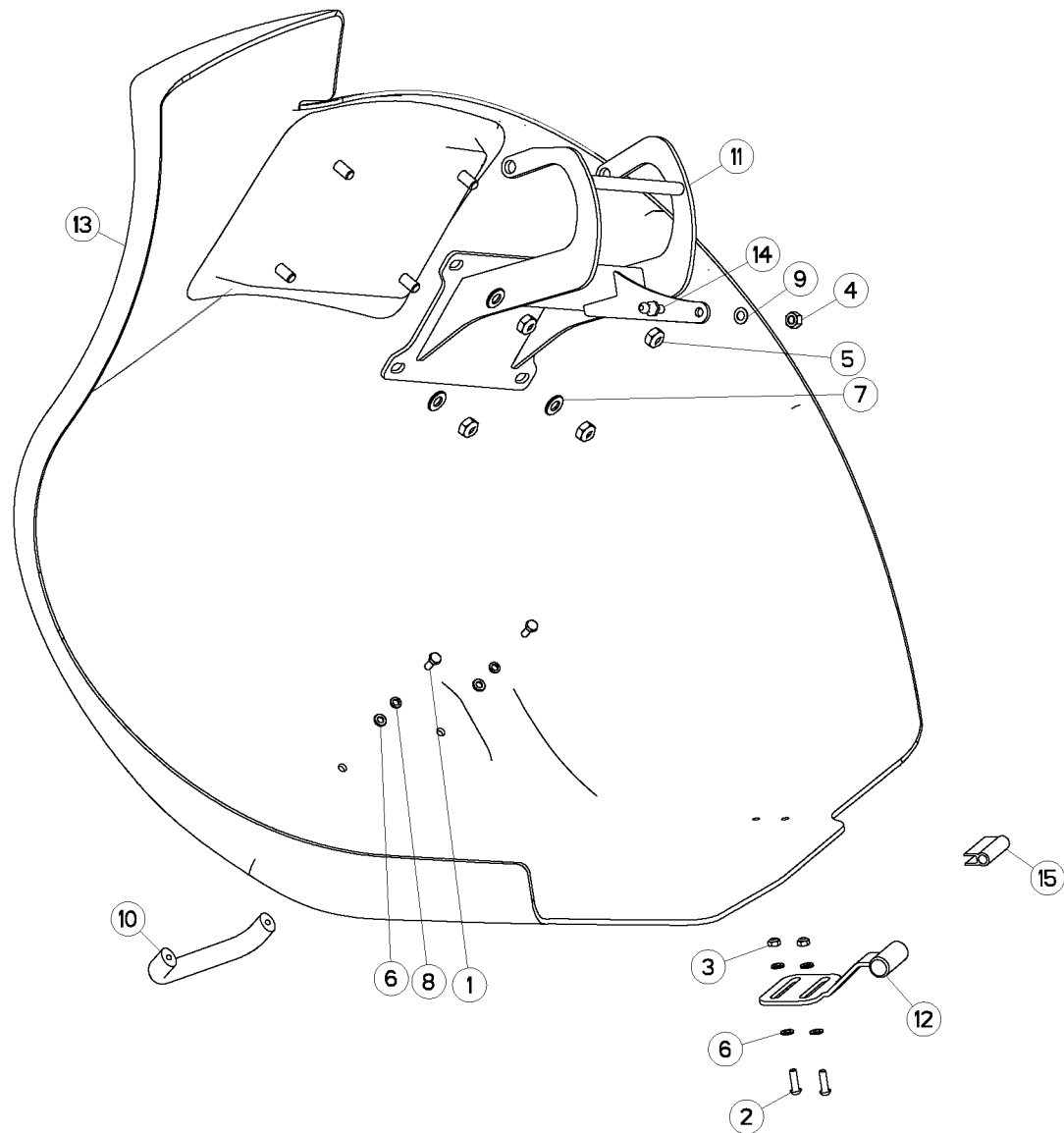
CAPOT DROIT

HOOD RIGHT

HAUBE RECHTS

COFANO DESTRO

Rep	Nr	Qt	Designation	Description	Bezeichnung	Referenza	Remarque - Remark - Bemerkung - Osservazioni
001	80060618	002	VIS TETE HEXAGONALE INOX	HEXAGON HEAD SCREW INOX	SECHSKANTSCHRAUBE INOX	VITE A TESTA ESAGONALE INOX	
002	80060828	006	VIS TETE HEXAGONALE INOX	HEXAGON HEAD SCREW INOX	SECHSKANTSCHRAUBE INOX	VITE A TESTA ESAGONALE INOX	
003	80190825	006	VIS T.CY.BOMB.SIX P.C.INOX				
004	80200804	001	ECROU HEXAGONAL INOX	HEXAGON NUT INOX	SECHSKANTMUTTER INOX	DADO INOX	
005	80200831	012	ECROU HEXAG.AUTOFREINE INOX	SELF-LOCKING NUT INOX	SELBSTSICHERNDE MUTTER INOX	DADO AUTOBLOCCANTE INOX	
006	80250601	002	RONDELLE PLATE INOX A2	PLAIN WASHER INOX A2	SCHEIBE INOX A2	RONDELLA PIATTALA INOX A2	
007	80250800	017	RONDELLE PLATE INOX A2	PLAIN WASHER INOX A2	SCHEIBE INOX A2	RONDELLA PIATTALA INOX A2	
008	80250930	006	RONDELLE PLATE INOX A2	PLAIN WASHER INOX A2	SCHEIBE INOX A2	RONDELLA PIATTA INOX A2	
009	80270683	002	RONDELLE GROWER INOX A2	WASHER, SPRING LOCK INOX A2	FEDERRING INOX A2	RONDELLA GROWER INOX A2	
010	80270802	001	RONDELLE EVENTAIL INOX A2	SERRATED LOCK WASHER INOX A2	FAECHERSCHEIBE INOX A2	RONDELLA VENTAGLIO INOX A2	
011	83040232	004	BOUCHON D'OBTURATION	END PLUG	VERSCHLUSSSTOPFEN	TAPPO DI CHIUSURA	
012	83050029	001	POIGNEE PLASTIFIEE EM				
013	G4002230	001	RENFORT	REINFORCEMENT	VERSTAERKUNG	RINFORZO	
014	G4002240	001	VERROU	LATCH	RIEGEL	LEVA	
015	G4002250	001	VERROU	LATCH	RIEGEL	LEVA	
016	G4104390	004	BRIDE	CLAMP	BUEGEL	STAFFA	
017	G4200150	001	CAPOT	HOOD	HAUBE	COFANO	
018	G9000530	001	ROTULE	BALL JOINT	KUGELGELENK	GINOCCHIERA	
019	G9000620	006	RONDELLE	WASHER	SCHEIBE	RONDELLA PIATTA	





METRIS

G40R0211 B

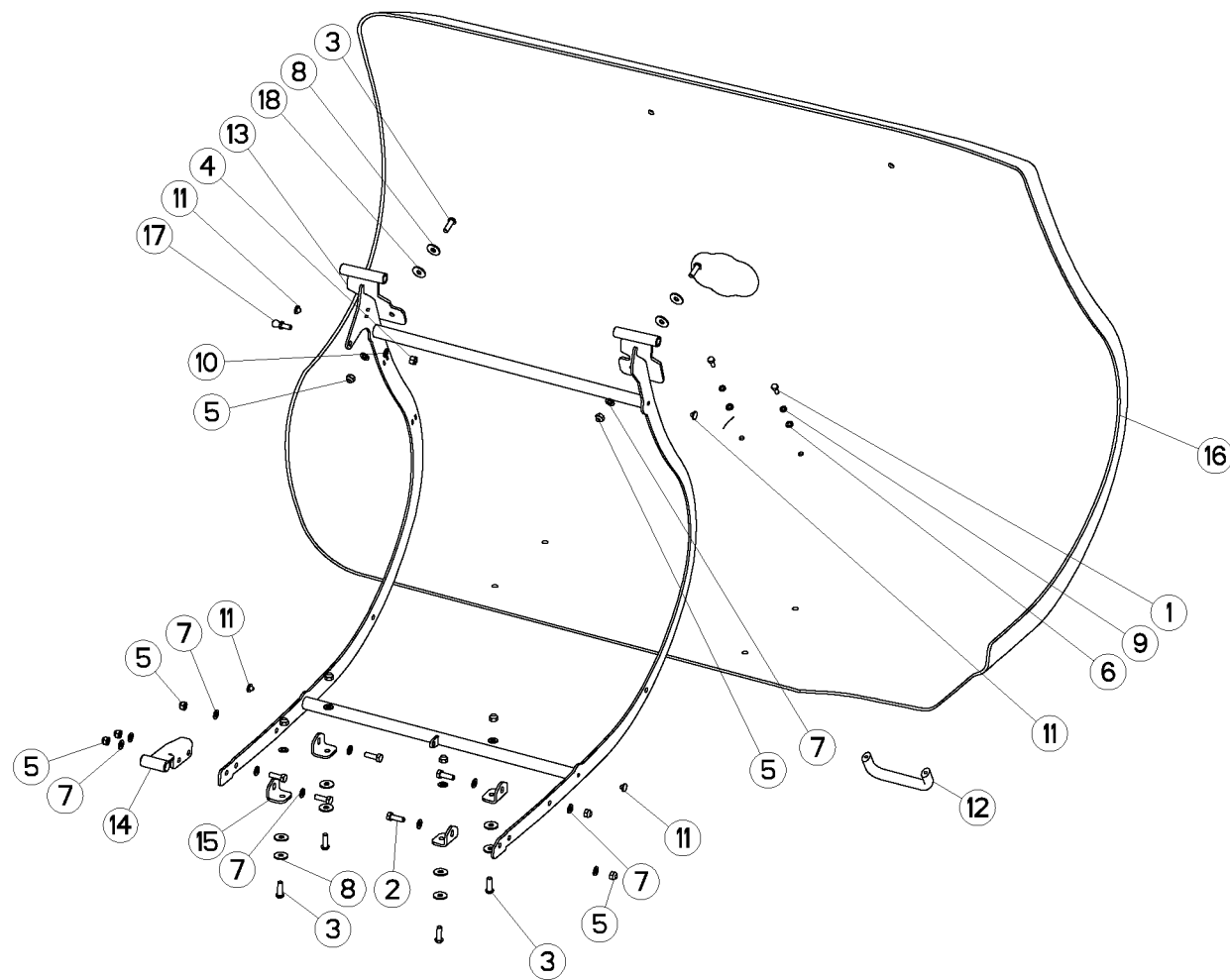
PORTE GAUCHE

DOOR LEFT

TÜR LINKS

PORTA SX

Rep	Nr	Qt	Designation	Description	Bezeichnung	Referenza	Remarque - Remark - Bemerkung - Osservazioni
001	80060618	002	VIS TETE HEXAGONALE INOX	HEXAGON HEAD SCREW INOX	SECHSKANTSCHRAUBE INOX	VITE A TESTA ESAGONALE INOX	
002	80190621	002	VIS T.CY.BOMB.SIX P.C.INOX	HEX.SOC.BUTT.HEAD SCR.INOX	FLACHKOPFSCHR.INNENSE.INOX	VITE INOX	
003	80200631	002	ECROU HEX.BAS AUTOFR.INOX	SELF-LOCKING NUT INOX	SELBSTSICHERNDE MUTTER INOX	DADO AUTOBLOCCANTE INOX	
004	80200804	001	ECROU HEXAGONAL INOX	HEXAGON NUT INOX	SECHSKANTMUTTER INOX	DADO INOX	
005	80201049	004	ECROU HEX.BAS AUTOFR.INOX	SELF-LOCKING NUT INOX	SELBSTSICHERNDE MUTTER INOX	DADO AUTOBLOCCANTE INOX	
006	80250601	006	RONDELLE PLATE INOX A2	PLAIN WASHER INOX A2	SCHEIBE INOX A2	RONDELLA PIATTALA INOX A2	
007	80251005	004	RONDELLE PLATE INOX A2	PLAIN WASHER INOX A2	SCHEIBE INOX A2	RONDELLA PIATTALA INOX A2	
008	80270683	002	RONDELLE GROWER INOX A2	WASHER, SPRING LOCK INOX A2	FEDERRING INOX A2	RONDELLA GROWER INOX A2	
009	80270802	001	RONDELLE EVENTAIL INOX A2	SERRATED LOCK WASHER INOX A2	FAECHERSCHEIBE INOX A2	RONDELLA VENTAGLIO INOX A2	
010	83050029	001	POIGNEE PLASTIFIEE EM				
011	G4001740	001	CHARNIERE	HINGE	SCHARNIER	SNODO	
012	G4005440	001	VERROU	LATCH	RIEGEL	LEVA	
013	G4200130	001	PORTE	DOOR	TÜR		
014	G9000510	001	ROTULE	BALL JOINT	KUGELGELENK	GINOCCHIERA	
015	G9001180	001	JOINT	SEAL	DICHTUNG	GUARNIZIONE	





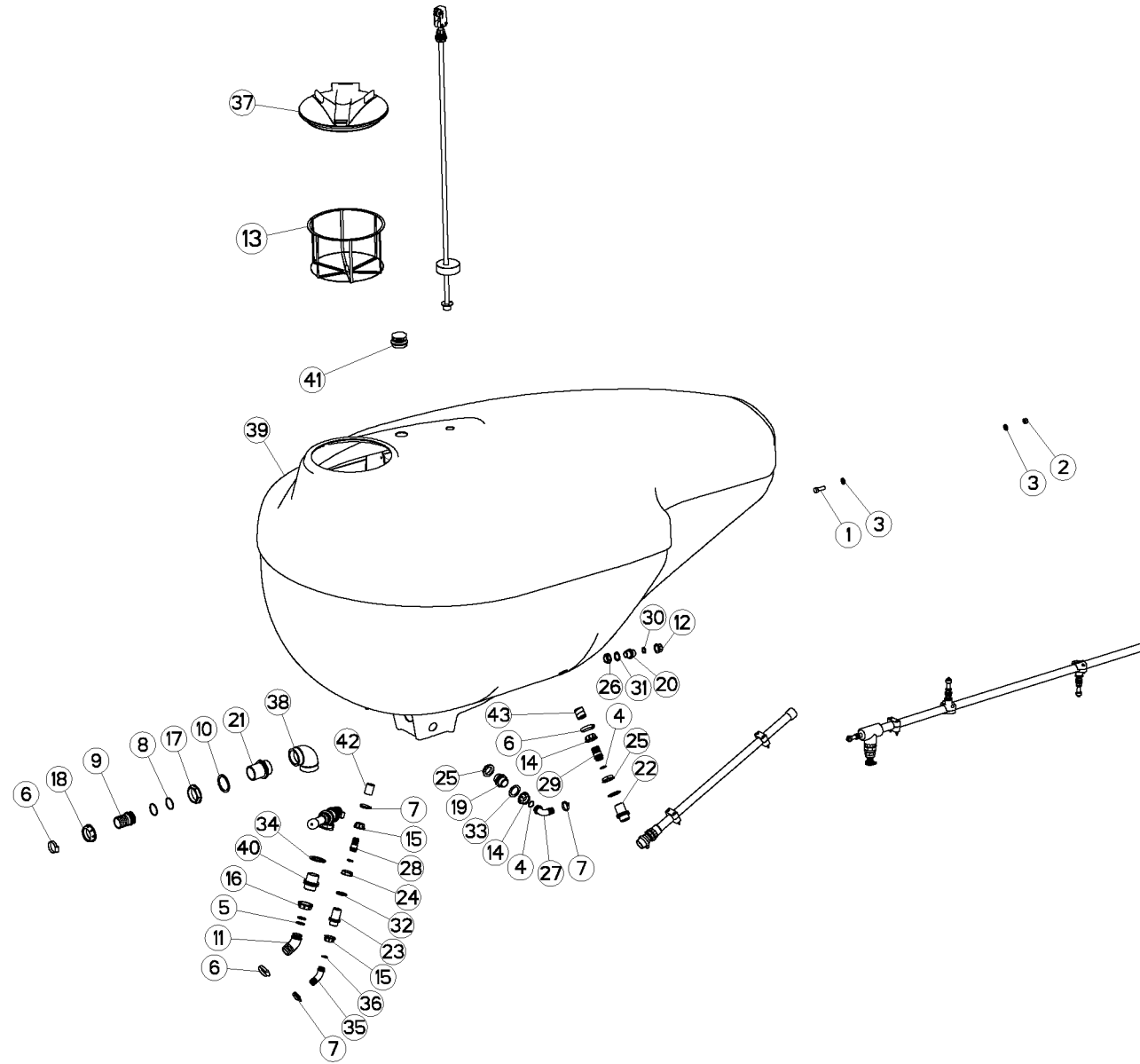
CAPOT GAUCHE

HOOD LEFT

HAUBE LINKS

COFANO SX

Rep	Nr	Qt	Designation	Description	Bezeichnung	Referenza	Remarque - Remark - Bemerkung - Osservazioni
001	80060618	002	VIS TETE HEXAGONALE INOX	HEXAGON HEAD SCREW INOX	SECHSKANTSCHRAUBE INOX	VITE A TESTA ESAGONALE INOX	
002	80060828	005	VIS TETE HEXAGONALE INOX	HEXAGON HEAD SCREW INOX	SECHSKANTSCHRAUBE INOX	VITE A TESTA ESAGONALE INOX	
003	80190825	006	VIS T.CY.BOMB.SIX P.C.INOX				
004	80200804	001	ECROU HEXAGONAL INOX	HEXAGON NUT INOX	SECHSKANTMUTTER INOX	DADO INOX	
005	80200831	011	ECROU HEXAG.AUTOFREINE INOX	SELF-LOCKING NUT INOX	SELBSTSICHERNDE MUTTER INOX	DADO AUTOBLOCCANTE INOX	
006	80250601	002	RONDELLE PLATE INOX A2	PLAIN WASHER INOX A2	SCHEIBE INOX A2	RONDELLA PIATTALA INOX A2	
007	80250800	016	RONDELLE PLATE INOX A2	PLAIN WASHER INOX A2	SCHEIBE INOX A2	RONDELLA PIATTALA INOX A2	
008	80250930	006	RONDELLE PLATE INOX A2	PLAIN WASHER INOX A2	SCHEIBE INOX A2	RONDELLA PIATTA INOX A2	
009	80270683	002	RONDELLE GROWER INOX A2	WASHER, SPRING LOCK INOX A2	FEDERRING INOX A2	RONDELLA GROWER INOX A2	
010	80270802	001	RONDELLE EVENTAIL INOX A2	SERRATED LOCK WASHER INOX A2	FAECHERSCHEIBE INOX A2	RONDELLA VENTAGLIO INOX A2	
011	83040232	004	BOUCHON D'OBTURATION	END PLUG	VERSCHLUSSSTOPFEN	TAPPO DI CHIUSURA	
012	83050029	001	POIGNEE PLASTIFIEE EM				
013	G4002220	001	RENFORT	REINFORCEMENT	VERSTAERKUNG	RINFORZO	
014	G4002240	001	VERROU	LATCH	RIEGEL	LEVA	
015	G4104390	004	BRIDE	CLAMP	BUEGEL	STAFFA	
016	G4200160	001	CAPOT	HOOD	HAUBE	COFANO	
017	G9000530	001	ROTULE	BALL JOINT	KUGELGELENK	GINOCCHIERA	
018	G9000620	006	RONDELLE	WASHER	SCHEIBE	RONDELLA PIATTA	





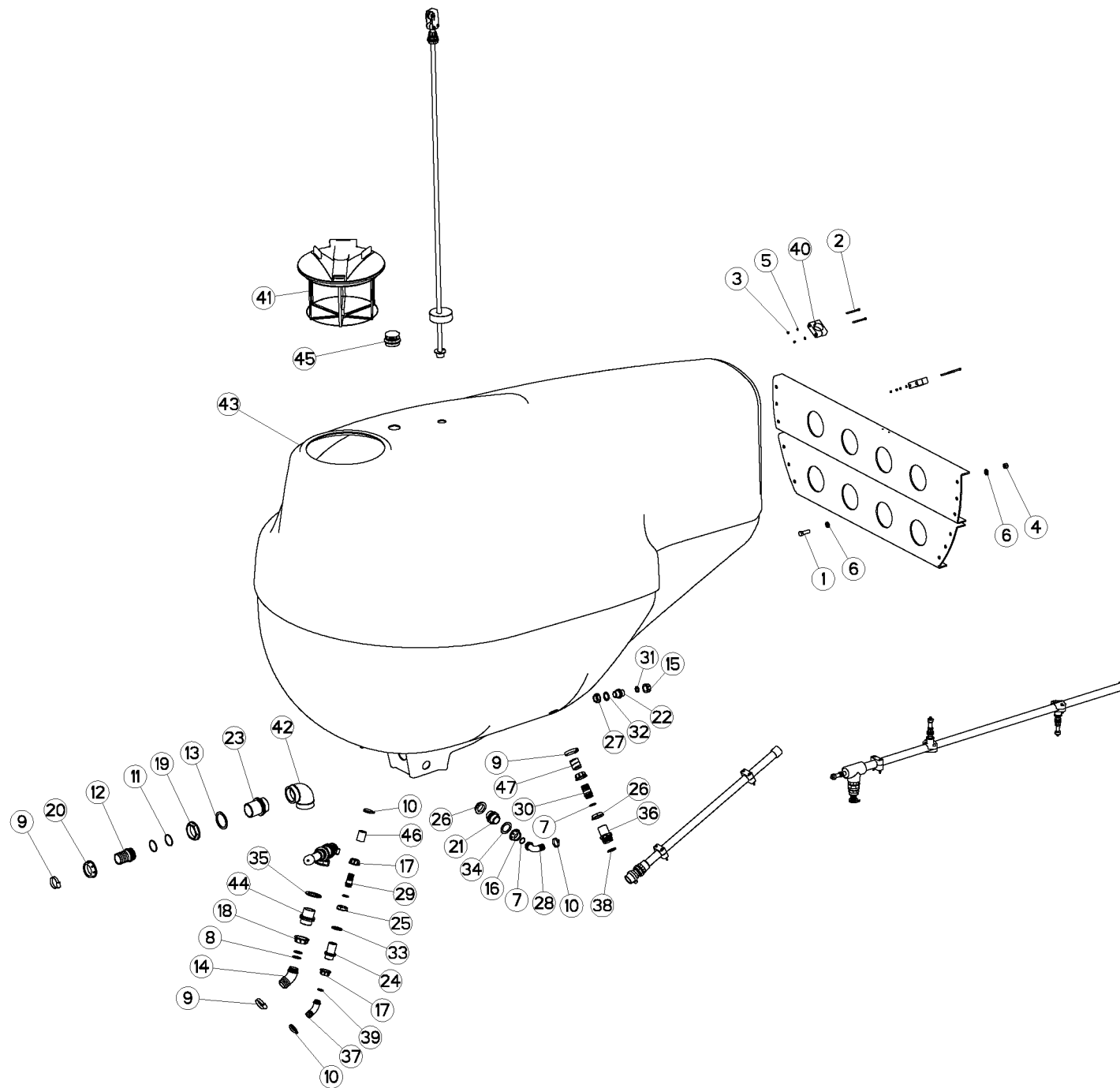
CUVE 3200L METRIS

HOPPER 3200L METRIS

BEHAELTER 3200L METRIS

CUBA 3200L METRIS

Rep	Nr	Qt	Designation	Description	Bezeichnung	Referenza	Remarque - Remark - Bemerkung - Osservazioni
001	80061600	012	VIS TETE HEXAGONALE INOX	HEXAGON HEAD SCREW INOX	SECHSKANTSCHRAUBE INOX	VITE A TESTA ESAGONALE INOX	
002	80201631	012	ECROU HEX.BAS AUTOFR.INOX	SELF-LOCKING NUT INOX	SELBSTSICHERNDE MUTTER INOX	DADO AUTOBLOCCANTE INOX	
003	80251601	024	RONDELLE PLATE INOX A2	PLAIN WASHER INOX A2	SCHIBE INOX A2	RONDELLA PIATTALA INOX A2	
004	82062935	002	JOINT TORIQUE	O-RING	O-RING	GUARNIZIONE	
005	82063941	002	JOINT TORIQUE VITON VERT	O-RING	O-RING	GUARNIZIONE	
006	83090177	003	COLLIER VIS SANS FIN INOX	CLAMP, HOSE	SCHLAUCHSCHELLE	COLLARE	
007	83090181	003	COLLIER	CLAMP, HOSE	SCHLAUCHSCHELLE	COLLARE	
008	83600012	002	JOINT TORIQUE	O-RING	O-RING	GUARNIZIONE	
009	83600093	001	RACCORD DROIT A ECROU	CONNECTOR	VERBINDUNGSTUECK	RACCORDO	
010	83600106	001	JOINT PLAT	GASKET	DICHTUNG	GIUNTO PIATTO	
011	83600184	001	RACCORD COUDE 45 A ECROU	CURVED CONNECTOR D45	WINKELSTUCK D45	RACCORDO CURVO MASCHIO D45	
012	83600228	001	BOUCHON	PLUG	VERSCHLUSSSCHRAUBE	TAPPO	
013	83623016	001	FILTRE	FILTER	FILTERPATRONE	FILTRO	
014	83634005	002	ECROU	NUT	MUTTER	DADO	
015	83634011	002	ECROU	NUT	MUTTER	DADO	
016	83634012	001	ECROU	NUT	MUTTER	DADO	
017	83634013	001	ECROU	NUT	MUTTER	DADO	
018	83634014	001	ECROU	NUT	MUTTER	DADO	
019	83654032	001	MAMELON	UNION	VERBINDUNGSTUCK	NIPPLO	
020	83654035	001	MAMELON	UNION	VERBINDUNGSTUCK		
021	83654036	001	MAMELON	UNION	VERBINDUNGSTUCK	NIPPLO	
022	83654037	001	MAMELON	UNION	VERBINDUNGSTUCK	NIPPLO	
023	83654040	001	MAMELON	UNION	VERBINDUNGSTUCK	NIPPLO	
024	83654054	001	EMBOUT	END PIECE	ENDSTUECK	GIUNTO	
025	83654055	002	EMBOUT	END PIECE	ENDSTUECK	GIUNTO	
026	83654056	001	EMBOUT	END PIECE	ENDSTUECK	GIUNTO	
027	83655005	001	RACCORD	FITTING	VERBINDUNG	RACCORDO	
028	83655053	001	RACCORD	FITTING	VERBINDUNG	RACCORDO	
029	83655060	001	RACCORD	FITTING	VERBINDUNG	RACCORDO	
030	83668024	001	JOINT	SEAL	DICHTUNG	GUARNIZIONE	
031	83668026	001	JOINT	SEAL	DICHTUNG	GUARNIZIONE	
032	83668030	001	JOINT	SEAL	DICHTUNG	GUARNIZIONE	
033	83668046	002	JOINT PLAT	GASKET	DICHTUNG		
034	83668047	001	JOINT PLAT	GASKET	FLACHDICHTUNG	GUARNIZIONE PIANA	
035	83673062	001	RACCORD	FITTING	VERBINDUNG	RACCORDO	
036	A6000080	002	JOINT TORIQUE	SEAL (OR)	DICHTUNG (OR)	GUARNIZIONE (OR)	
037	G0465600	001	COUVERCLE	LID	DECKEL	COPERCHIO	
038	G0546290	001	COUDE	FITTING, HYDRAULIC, ELBOW	BOGEN	CURVA	
039	G4200000	001	CUVE	TANK	BEHAELTER	CUBA	
040	G9000540	001	MAMELON	UNION	VERBINDUNGSTUCK		
041	G9001320	001	CLAPET	VALVE, FLAP	RUECKSCHLAGVENTIL	VALVOLA	
042	G9100660	001	TUYAU	PIPE	ROHR	TUBO	
043	G9102000	001	TUYAU	PIPE	ROHR	TUBO	





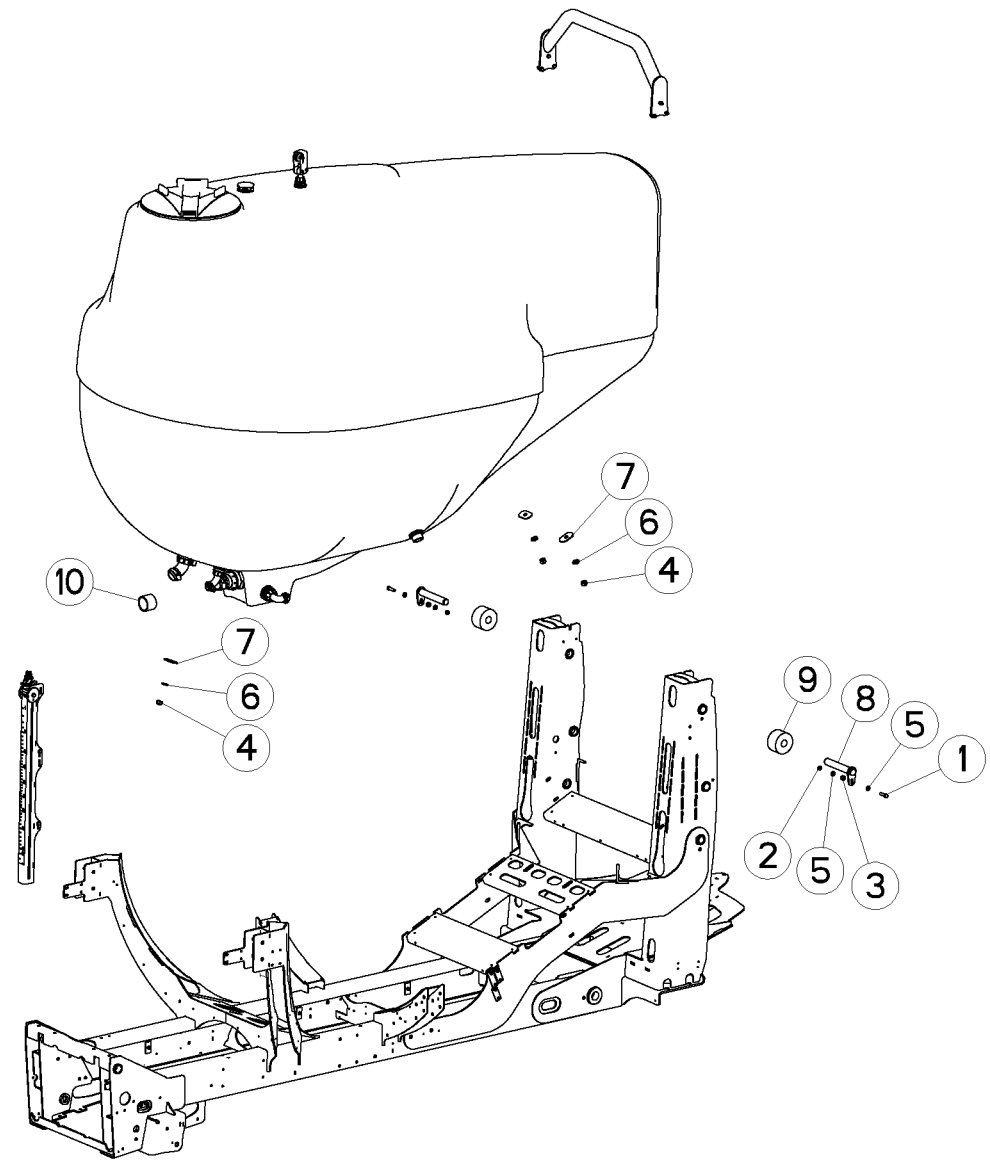
CUVE 4100 METRIS

HOPPER 4100 METRIS

BEHAELTER 4100 METRIS

CUBA 4100 METRIS

Rep	Nr	Qt	Designation	Description	Bezeichnung	Referenza	Remarque - Remark - Bemerkung - Osservazioni
001	80061600	012	VIS TETE HEXAGONALE INOX	HEXAGON HEAD SCREW INOX	SECHSKANTSCHRAUBE INOX	VITE A TESTA ESAGONALE INOX	
002	80080681	004	VIS TETE CYL.SIX P.CRE.INOX				
003	80200631	004	ECROU HEX.BAS AUTOFR.INOX	SELF-LOCKING NUT INOX	SELBSTSICHERNDE MUTTER INOX	DADO AUTOBLOCCANTE INOX	
004	80201631	012	ECROU HEX.BAS AUTOFR.INOX	SELF-LOCKING NUT INOX	SELBSTSICHERNDE MUTTER INOX	DADO AUTOBLOCCANTE INOX	
005	80250601	004	RONDELLE PLATE INOX A2	PLAIN WASHER INOX A2	SCHEIBE INOX A2	RONDELLA PIATTALA INOX A2	
006	80251601	024	RONDELLE PLATE INOX A2	PLAIN WASHER INOX A2	SCHEIBE INOX A2	RONDELLA PIATTALA INOX A2	
007	82062935	002	JOINT TORIQUE	O-RING	O-RING	GUARNIZIONE	
008	82063941	002	JOINT TORIQUE VITON VERT	O-RING	O-RING	GUARNIZIONE	
009	83090177	003	COLLIER VIS SANS FIN INOX	CLAMP, HOSE	SCHLAUCHSCHELLE	COLLARE	
010	83090181	003	COLLIER	CLAMP, HOSE	SCHLAUCHSCHELLE	COLLARE	
011	83600012	002	JOINT TORIQUE	O-RING	O-RING	GUARNIZIONE	
012	83600093	001	RACCORD DROIT A ECROU	CONNECTOR	VERBINDUNGSTUECK	RACCORDO	
013	83600106	001	JOINT PLAT	GASKET	DICHTUNG	GIUNTO PIATTO	
014	83600184	001	RACCORD COUDE 45 A ECROU	CURVED CONNECTOR D45	WINKELSTUCK D45	RACCORDO CURVO MASCHIO D45	
015	83600228	001	BOUCHON	PLUG	VERSCHLUSSSCHRAUBE	TAPPO	
016	83634005	002	ECROU	NUT	MUTTER	DADO	
017	83634011	002	ECROU	NUT	MUTTER	DADO	
018	83634012	001	ECROU	NUT	MUTTER	DADO	
019	83634013	001	ECROU	NUT	MUTTER	DADO	
020	83634014	001	ECROU	NUT	MUTTER	DADO	
021	83654032	001	MAMELON	UNION	VERBINDUNGSTUCK	NIPPLO	
022	83654035	001	MAMELON	UNION	VERBINDUNGSTUCK		
023	83654036	001	MAMELON	UNION	VERBINDUNGSTUCK	NIPPLO	
024	83654040	001	MAMELON	UNION	VERBINDUNGSTUCK	NIPPLO	
025	83654054	001	EMBOUT	END PIECE	ENDSTUECK	GIUNTO	
026	83654055	002	EMBOUT	END PIECE	ENDSTUECK	GIUNTO	
027	83654056	001	EMBOUT	END PIECE	ENDSTUECK	GIUNTO	
028	83655005	001	RACCORD	FITTING	VERBINDUNG	RACCORDO	
029	83655053	001	RACCORD	FITTING	VERBINDUNG	RACCORDO	
030	83655060	001	RACCORD	FITTING	VERBINDUNG	RACCORDO	
031	83668024	001	JOINT	SEAL	DICHTUNG	GUARNIZIONE	
032	83668026	001	JOINT	SEAL	DICHTUNG	GUARNIZIONE	
033	83668030	001	JOINT	SEAL	DICHTUNG	GUARNIZIONE	
034	83668046	001	JOINT PLAT	GASKET	DICHTUNG		
035	83668047	001	JOINT PLAT	GASKET	FLACHDICHTUNG	GUARNIZIONE PIANA	
036	83673053	001	RACCORD DROIT				
037	83673062	001	RACCORD	FITTING	VERBINDUNG	RACCORDO	
038	83673078	001	JOINT TORIQUE	O-RING	O-RING	GUARNIZIONE	
039	A6000080	002	JOINT TORIQUE	SEAL (OR)	DICHTUNG (OR)	GUARNIZIONE (OR)	
040	A7260061	002	COLLIER	CLAMP, HOSE	SCHLAUCHSCHELLE	COLLARE	
041	G0465600	001	COUVERCLE	LID	DECKEL	COPERCHIO	
042	G0546290	001	COUDE	FITTING, HYDRAULIC, ELBOW	BOGEN	CURVA	
043	G4200010	001	CUVE	TANK	BEHAELTER	CUBA	
044	G9000540	001	MAMELON	UNION	VERBINDUNGSTUCK		
045	G9001320	001	CLAPET	VALVE, FLAP	RUECKSCHLAGVENTIL	VALVOLA	
046	G9100660	001	TUYAU	PIPE	ROHR	TUBO	
047	G9100680	001	TUYAU	PIPE	ROHR	TUBO	





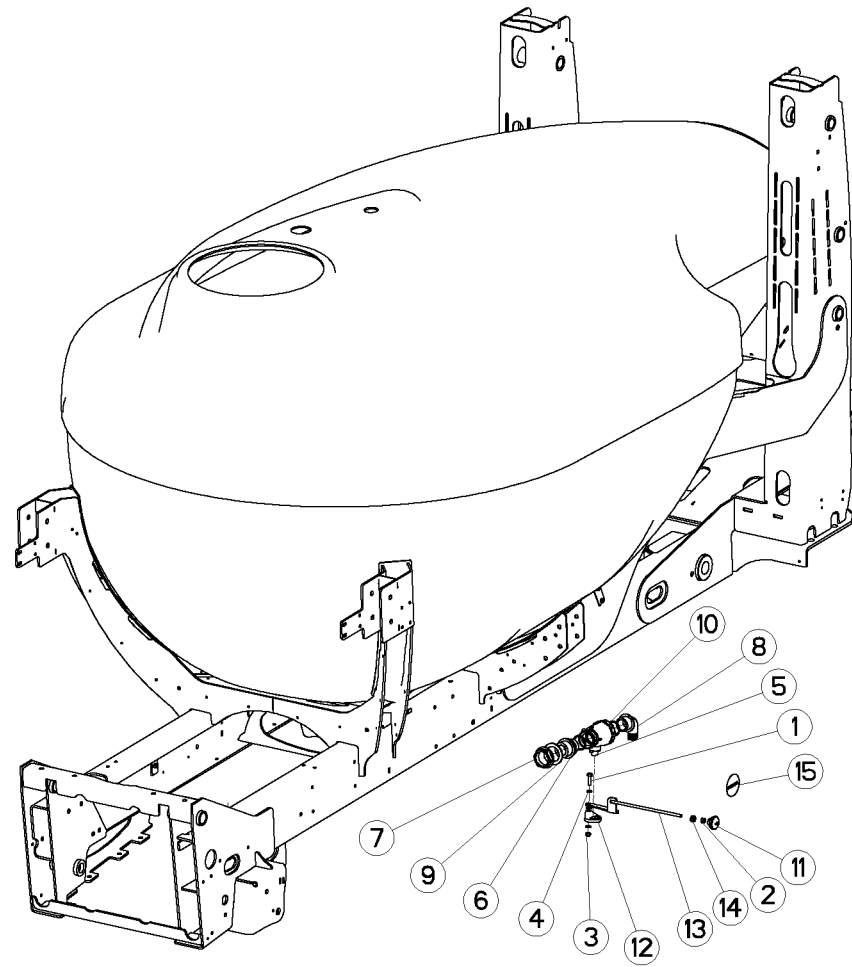
CUVE 4100 + DIVERS

HOPPER 4100 + MISCELLANEOUS

BEHAELTER 4100 + VERSCHIEDENES

CUBA 4100 + VARIE

Rep	Nr	Qt	Designation	Description	Bezeichnung	Referenza	Remarque - Remark - Bemerkung - Osservazioni
001	80061043	002	VIS TETE HEXAGONALE INOX	HEXAGON HEAD SCREW INOX	SECHSKANTSCHRAUBE INOX	VITE A TESTA ESAGONALE INOX	
002	80201049	002	ECROU HEX.BAS AUTOFR.INOX	SELF-LOCKING NUT INOX	SELBSTSICHERNDE MUTTER INOX	DADO AUTOBLOCCANTE INOX	
003	80201272	002	ECROU HEXAGONAL INOX	HEXAGON NUT INOX	SECHSKANTMUTTER INOX	DADO INOX	
004	80201631	003	ECROU HEX.BAS AUTOFR.INOX	SELF-LOCKING NUT INOX	SELBSTSICHERNDE MUTTER INOX	DADO AUTOBLOCCANTE INOX	
005	80251005	004	RONDELLE PLATE INOX A2	PLAIN WASHER INOX A2	SCHEIBE INOX A2	RONDELLA PIATTALA INOX A2	
006	80251601	003	RONDELLE PLATE INOX A2	PLAIN WASHER INOX A2	SCHEIBE INOX A2	RONDELLA PIATTALA INOX A2	
007	G0860135	003	RONDELLE	WASHER	SCHEIBE	RONDELLA PIATTA	
008	G4004750	002	BROCHE	PIN, HITCH	ACHSE	PERNO	
009	G4102410	002	BUTEE ELASTIQUE	STOP, ELASTIC	GUMMIPUFFER	GOMMINO	
010	G9100670	001	TUYAU	PIPE	ROHR	TUBO	Ø 60 <->1500





METRIS

G40R0382 A

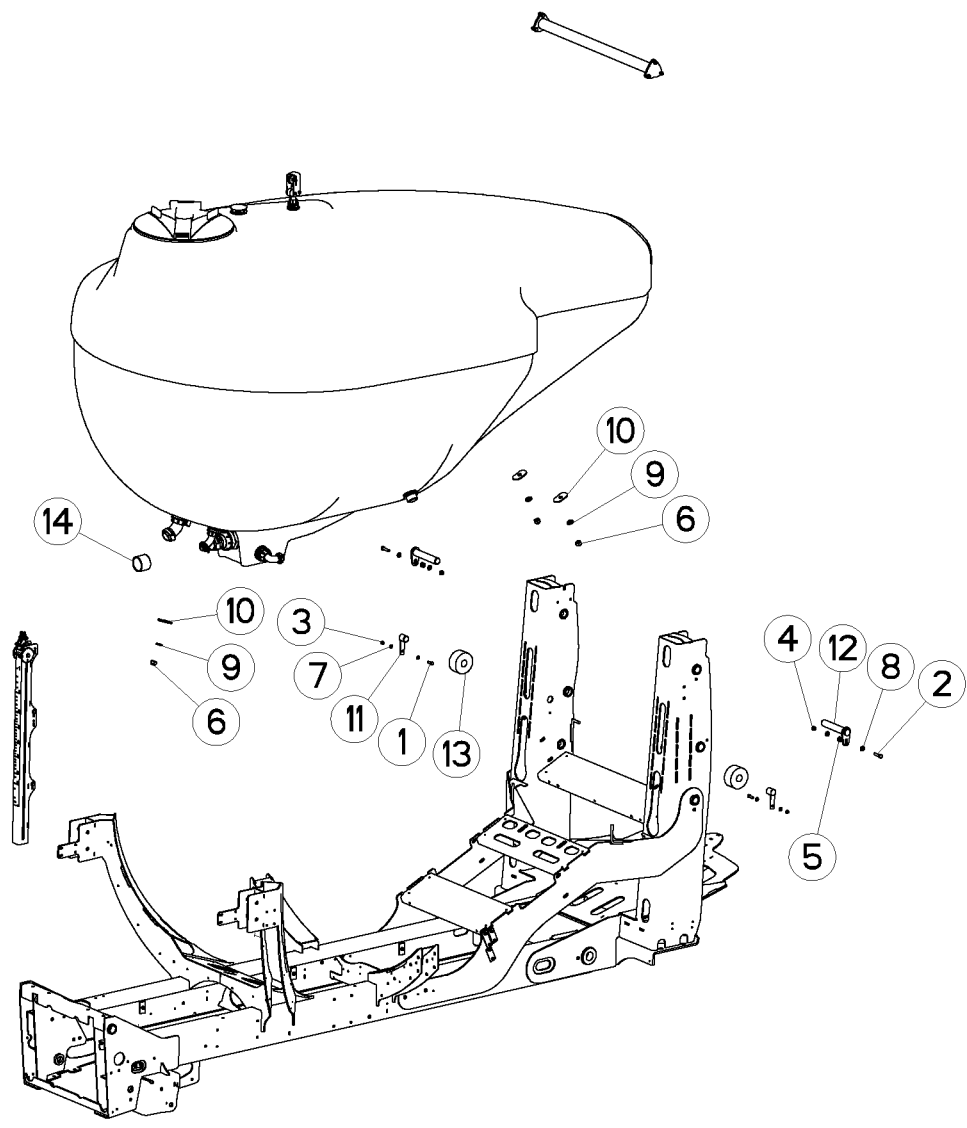
VANNES VIDANGE

OUTLETS UNLOADING

VENTILE ENTLEERUNG

VALVOLE SVUOTAMENTO

Rep	Nr	Qt	Designation	Description	Bezeichnung	Referenza	Remarque - Remark - Bemerkung - Osservazioni
001	80060832	001	VIS TETE HEXAGONALE INOX	HEXAGON HEAD SCREW INOX	SECHSKANTSCHRAUBE INOX	VITE A TESTA ESAGONALE INOX	
002	80200804	001	ECROU HEXAGONAL INOX	HEXAGON NUT INOX	SECHSKANTMUTTER INOX	DADO INOX	
003	80200831	001	ECROU HEXAG.AUTOFREINE INOX	SELF-LOCKING NUT INOX	SELBSTSICHERNDE MUTTER INOX	DADO AUTOBLOCCANTE INOX	
004	80250800	003	RONDELLE PLATE INOX A2	PLAIN WASHER INOX A2	SCHEIBE INOX A2	RONDELLA PIATTALA INOX A2	
005	83610021	001	VANNE	VALVE, SHUT-OFF	SCHIEBER	SARACINESCA	
006	83654027	001	REDUCTION	ADAPTER, REDUCER	REDUZIERUNG	RIDUZIONE	
007	83654055	001	EMBOUT	END PIECE	ENDSTUECK	GIUNTO	
008	83655042	001	RACCORD	FITTING	VERBINDUNG	RACCORDO	
009	83668046	001	JOINT PLAT	GASKET	DICHTUNG		
010	83668072	002	JOINT TORIQUE	O-RING	O-RING	GUARNIZIONE	
011	A620243	001	POIGNEE	HANDLE	HANDGRIFF	MANIGLIA	
012	G4004270	001	MANIVELLE	CRANK	KURBEL	MANOVELLA	
013	G4004280	001	BIELLE	LINK, CONNECTING	LENKER	BIELLA	
014	G9901140	001	PASSE FIL	GROMMET	KABELBUCHSE	ANELLO PASSACAVO	
015	K9C262TL	001	PICTO.T VANNE DE VIDANGE	DECAL, SAFETY	PIKTOGR	ADESIVO	





METRIS

G40R0190 B

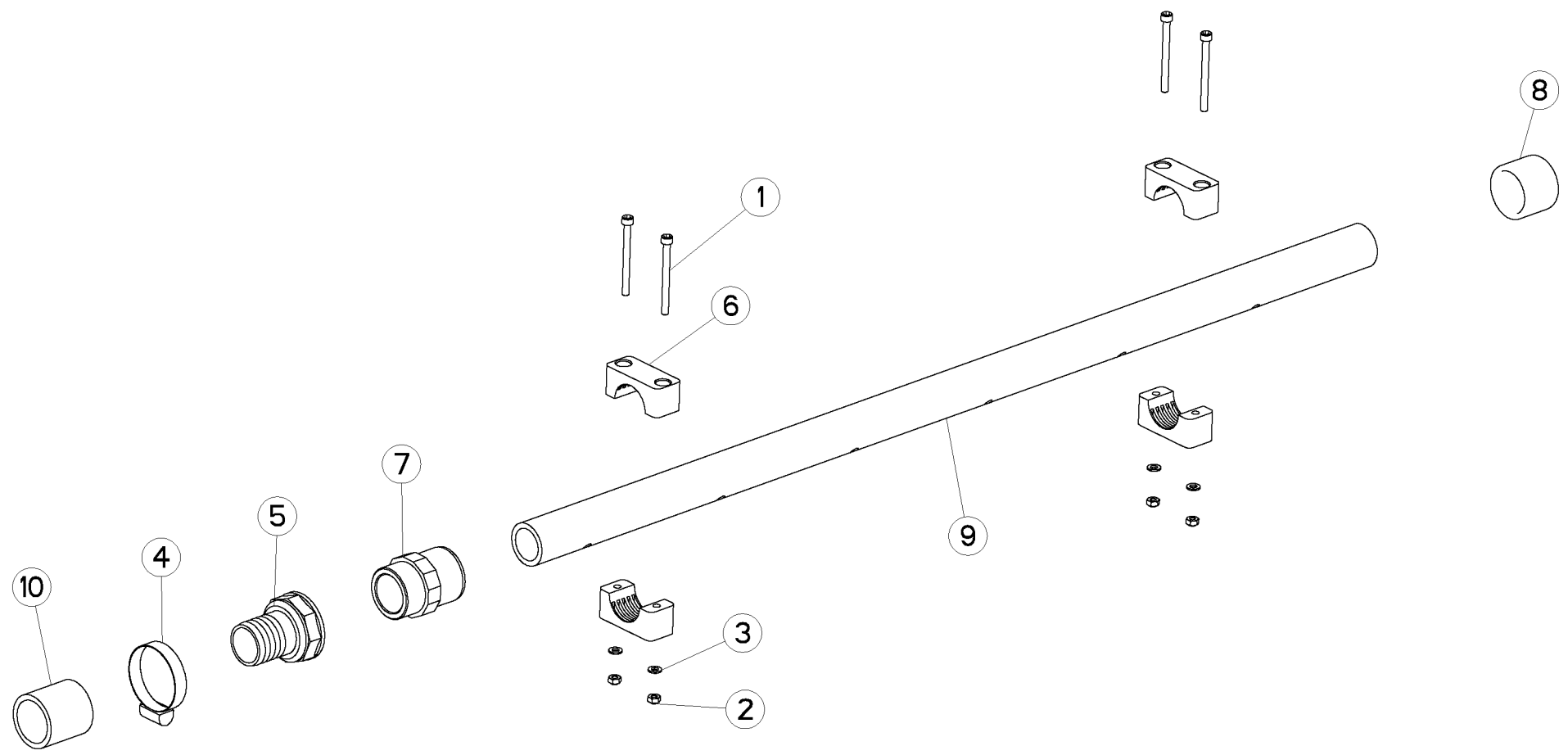
CUVE 3200L + DIVERS

HOPPER 3200L + MISCELLANEOUS

BEHAELTER 3200L + VERSCHIEDENE

CUBA 3200L + VARIE

Rep	Nr	Qt	Designation	Description	Bezeichnung	Referenza	Remarque - Remark - Bemerkung - Osservazioni
001	80060828	002	VIS TETE HEXAGONALE INOX	HEXAGON HEAD SCREW INOX	SECHSKANTSCHRAUBE INOX	VITE A TESTA ESAGONALE INOX	
002	80061043	002	VIS TETE HEXAGONALE INOX	HEXAGON HEAD SCREW INOX	SECHSKANTSCHRAUBE INOX	VITE A TESTA ESAGONALE INOX	
003	80200831	016	ECROU HEXAG.AUTOFREINE INOX	SELF-LOCKING NUT INOX	SELBSTSICHERNDE MUTTER INOX	DADO AUTOBLOCCANTE INOX	
004	80201049	002	ECROU HEX.BAS AUTOFR.INOX	SELF-LOCKING NUT INOX	SELBSTSICHERNDE MUTTER INOX	DADO AUTOBLOCCANTE INOX	
005	80201272	002	ECROU HEXAGONAL INOX	HEXAGON NUT INOX	SECHSKANTMUTTER INOX	DADO INOX	
006	80201631	015	ECROU HEX.BAS AUTOFR.INOX	SELF-LOCKING NUT INOX	SELBSTSICHERNDE MUTTER INOX	DADO AUTOBLOCCANTE INOX	
007	80250800	024	RONDELLE PLATE INOX A2	PLAIN WASHER INOX A2	SCHEIBE INOX A2	RONDELLA PIATTALA INOX A2	
008	80251005	004	RONDELLE PLATE INOX A2	PLAIN WASHER INOX A2	SCHEIBE INOX A2	RONDELLA PIATTALA INOX A2	
009	80251601	027	RONDELLE PLATE INOX A2	PLAIN WASHER INOX A2	SCHEIBE INOX A2	RONDELLA PIATTALA INOX A2	
010	G0860135	003	RONDELLE	WASHER	SCHEIBE	RONDELLA PIATTA	
011	G4002510	002	BROCHE	PIN, HITCH	ACHSE	PERNO	
012	G4004730	002	BROCHE	PIN, HITCH	ACHSE	PERNO	
013	G4104510	002	BUTEE ELASTIQUE	STOP, ELASTIC	GUMMIPUFFER	GOMMINO	
014	G9100670	001	TUYAU	PIPE	ROHR	TUBO	Ø 60 <->1500





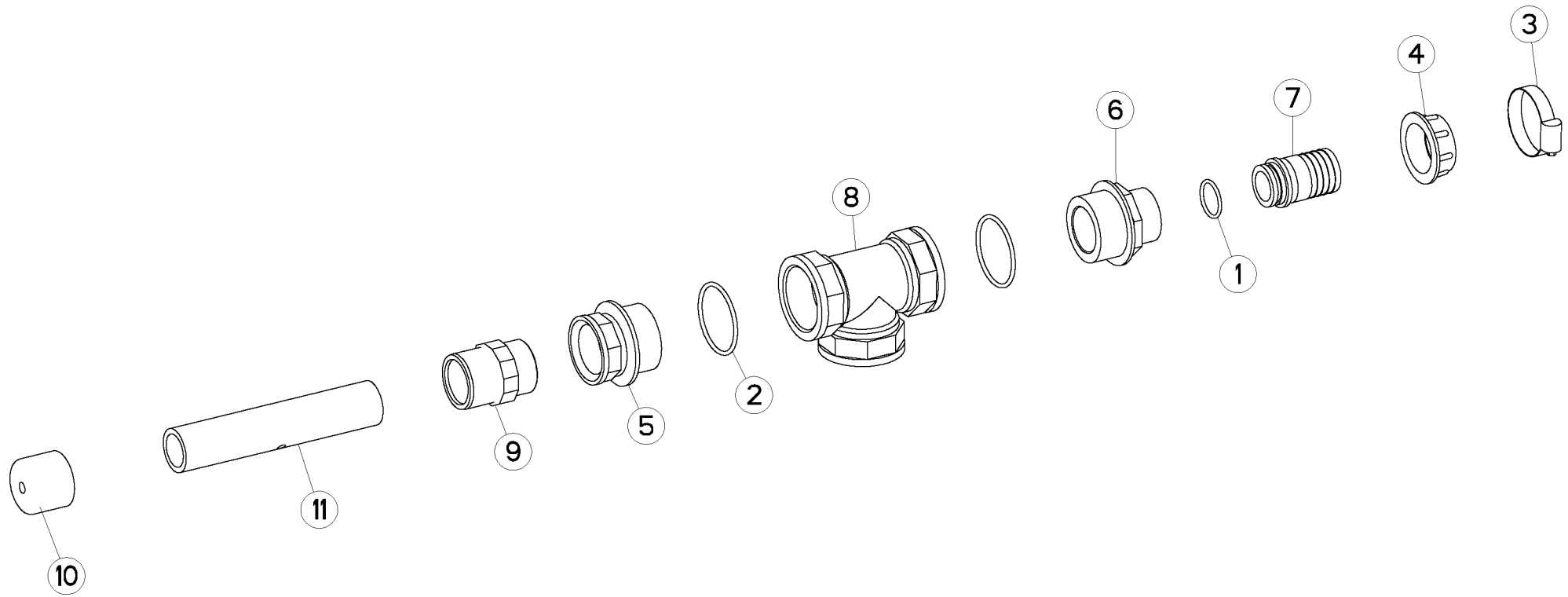
TUBE BRASSAGE

TUBE MIXING

ROHR MISCHER

TUBO RISUCCHIO

Rep	Nr	Qt	Designation	Description	Bezeichnung	Referenza	Remarque - Remark - Bemerkung - Osservazioni
001	80080671	004	VIS TETE CYL.SIX P.CRE.INOX	HEX.SOCKET HEAD CAP SCREW INOX	ZYLINDERSCHR.INNENSECHSK.INOX	VITE A TESTA CILINDRICA INOX	
002	80200631	004	ECROU HEX.BAS AUTOFR.INOX	SELF-LOCKING NUT INOX	SELBSTSICHERNDE MUTTER INOX	DADO AUTOBLOCCANTE INOX	
003	80250601	004	RONDELLE PLATE INOX A2	PLAIN WASHER INOX A2	SCHEIBE INOX A2	RONDELLA PIATTALA INOX A2	
004	83090177	001	COLLIER VIS SANS FIN INOX	CLAMP, HOSE	SCHLAUCHSCHELLE	COLLARE	
005	83655068	001	RACCORD	FITTING	VERBINDUNG	RACCORDO	
006	A7260070	002	COLLIER	CLAMP, HOSE	SCHLAUCHSCHELLE	COLLARE	
007	G0546203	001	TUBULURE	PIPE	STUTZEN	TUBATURA	
008	G0861561	001	BOUCHON	PLUG	VERSCHLUSSSCHRAUBE	TAPPO	
009	G4104260	001	TUBE	TUBE	ROHR	TUBO	
010	G9100650	001	TUYAU	PIPE	ROHR	TUBO	Ø 40 <->900





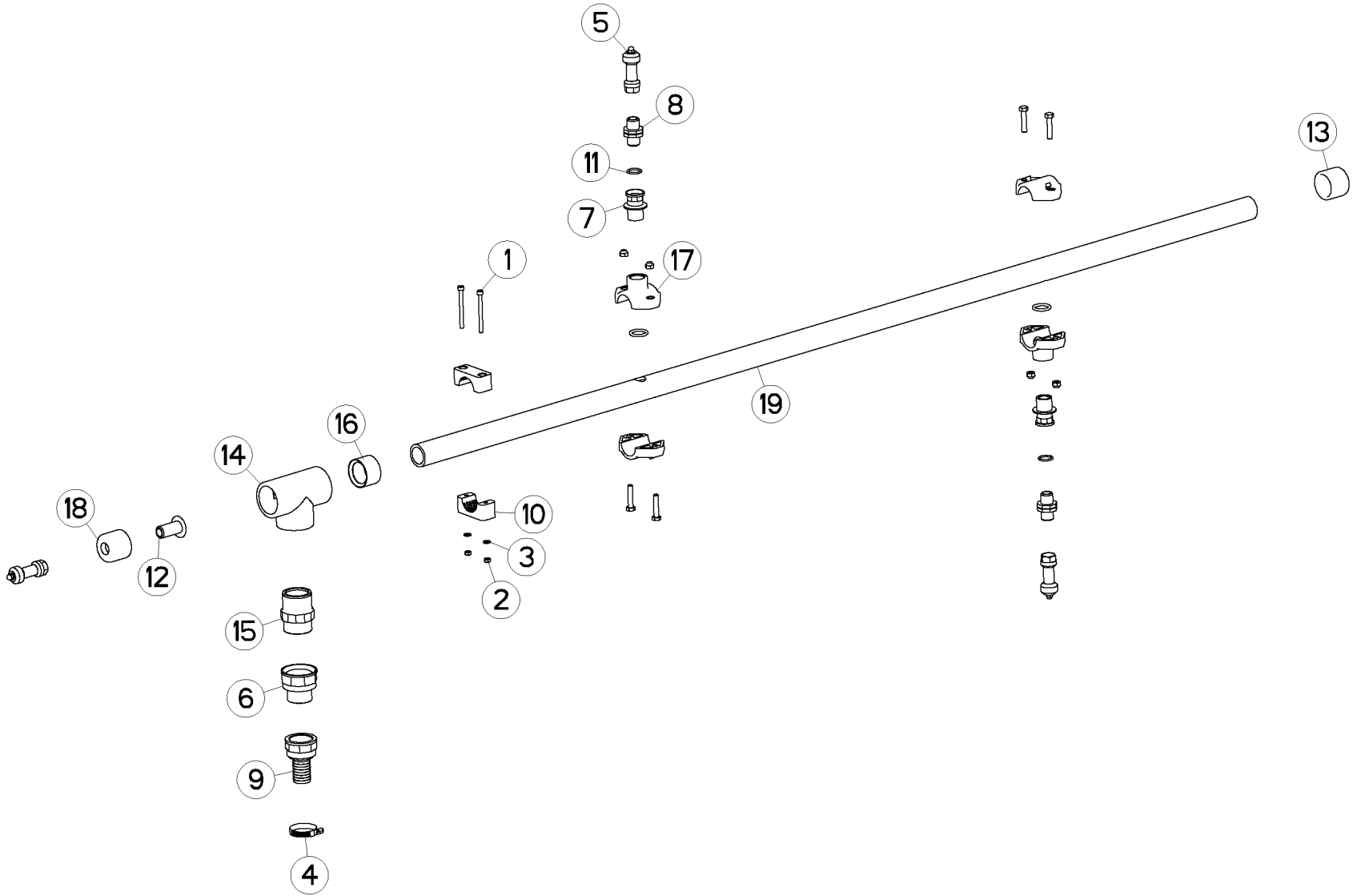
TUBE BRASSAGE

TUBE MIXING

ROHR MISCHER

TUBO RISUCCHIO

Rep	Nr	Qt	Designation	Description	Bezeichnung	Referenza	Remarque - Remark - Bemerkung - Osservazioni
001	82062935	001	JOINT TORIQUE	O-RING	O-RING	GUARNIZIONE	
002	82065835	002	JOINT TORIQUE VITON VERT	O-RING	O-RING	GUARNIZIONE	
003	83090177	001	COLLIER VIS SANS FIN INOX	CLAMP, HOSE	SCHLAUCHSCHELLE	COLLARE	
004	83634005	001	ECROU	NUT	MUTTER	DADO	
005	83654012	001	REDUCTION	ADAPTER, REDUCER	REDUZIERUNG	RIDUZIONE	
006	83654026	001	REDUCTION	ADAPTER, REDUCER	REDUZIERUNG	RIDUZIONE	
007	83655060	001	RACCORD	FITTING	VERBINDUNG	RACCORDO	
008	83655101	001	RACCORD	FITTING	VERBINDUNG	RACCORDO	
009	G0546203	001	TUBULURE	PIPE	STUTZEN	TUBATURA	
010	G0861561	001	BOUCHON	PLUG	VERSCHLUSSSCHRAUBE	TAPPO	
011	G4104270	001	TUBE	TUBE	ROHR	TUBO	





METRIS

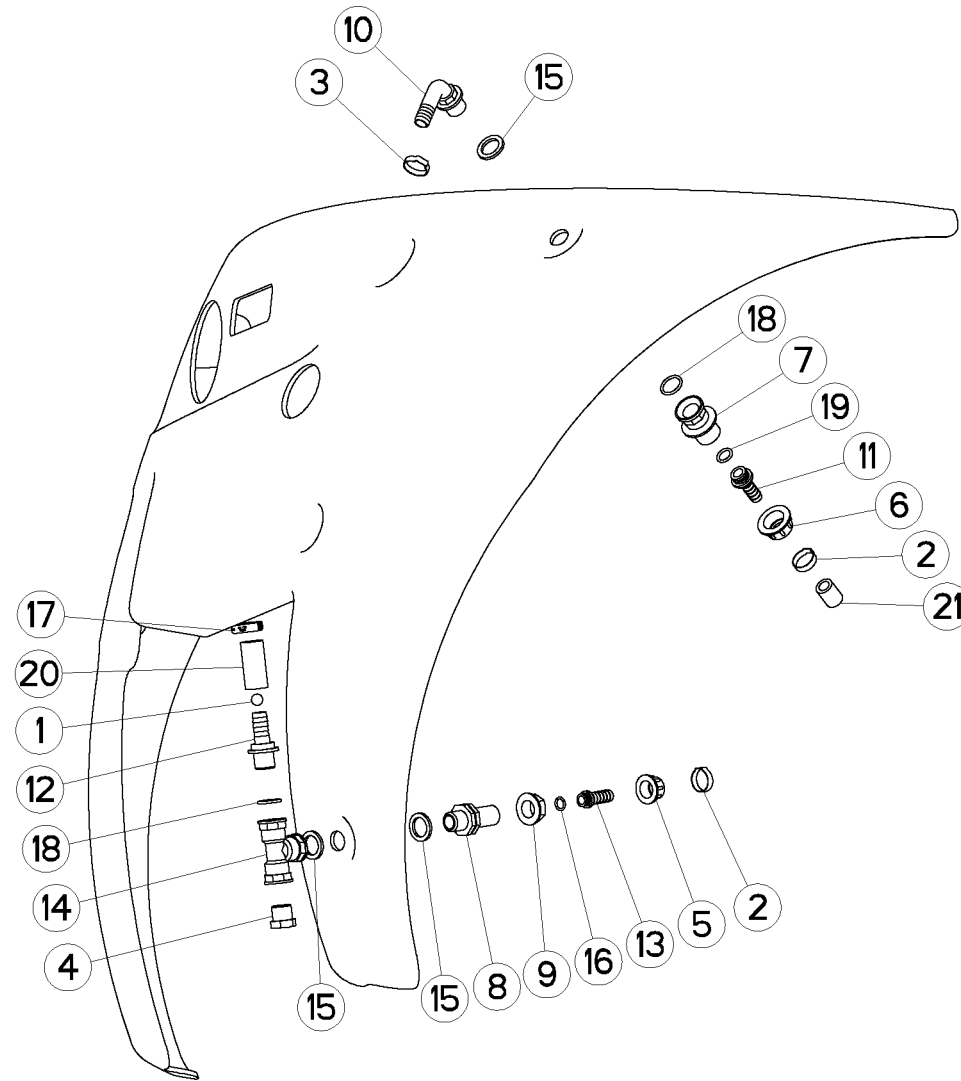
G40R0197 A

TUBE GYROLAVEUR

TUBE GYROCLEANER

ROHR ROTATIONS-REINIGUNGSDUESE TUBO UGELLI ROTANTI SERBATOIO

Rep	Nr	Qt	Designation	Description	Bezeichnung	Referenza	Remarque - Remark - Bemerkung - Osservazioni
001	80080671	002	VIS TETE CYL.SIX P.CRE.INOX	HEX.SOCKET HEAD CAP SCREW INOX	ZYLINDERSCHR.INNENSECHSK.INOX	VITE A TESTA CILINDRICA INOX	
002	80200631	002	ECROU HEX.BAS AUTOFR.INOX	SELF-LOCKING NUT INOX	SELBSTSICHERNDE MUTTER INOX	DADO AUTOBLOCCANTE INOX	
003	80250601	002	RONDELLE PLATE INOX A2	PLAIN WASHER INOX A2	SCHEIBE INOX A2	RONDELLA PIATTALA INOX A2	
004	83090181	001	COLLIER	CLAMP, HOSE	SCHLAUCHSCHELLE	COLLARE	
005	83600292	003	TETE	HEAD	KOPFF		
006	83654018	001	REDUCTION	ADAPTER, REDUCER	REDUZIERUNG	RIDUZIONE	
007	83654020	002	REDUCTION	ADAPTER, REDUCER	REDUZIERUNG	RIDUZIONE	
008	83654038	002	MAMELON	UNION	VERBINDUNGSTUCK		
009	83655075	001	RACCORD	FITTING	VERBINDUNG	RACCORDO	
010	A7260070	003	COLLIER	CLAMP, HOSE	SCHLAUCHSCHELLE	COLLARE	
011	G0225530	002	JOINT	SEAL	DICHTUNG	GUARNIZIONE	
012	G0402350	001	GOULOTTE	CHUTE	AUSLAUF	BOCCA	
013	G0546201	002	BOUCHON	PLUG	VERSCHLUSSSCHRAUBE	TAPPO	
014	G0546202	001	TE	FITTING, HYDRAULIC, TEE	T-STUCK	RACCORDO A T	
015	G0546203	001	TUBULURE	PIPE	STUTZEN	TUBATURA	
016	G0546204	001	DOUILLE Ø50-40				
017	G0546205	002	COLLIER	CLAMP, HOSE	SCHLAUCHSCHELLE	COLLARE	
018	G0861562	001	BOUCHON	PLUG	VERSCHLUSSSCHRAUBE	TAPPO	
019	G4104280	001	TUBE	TUBE	ROHR	TUBO	





METRIS

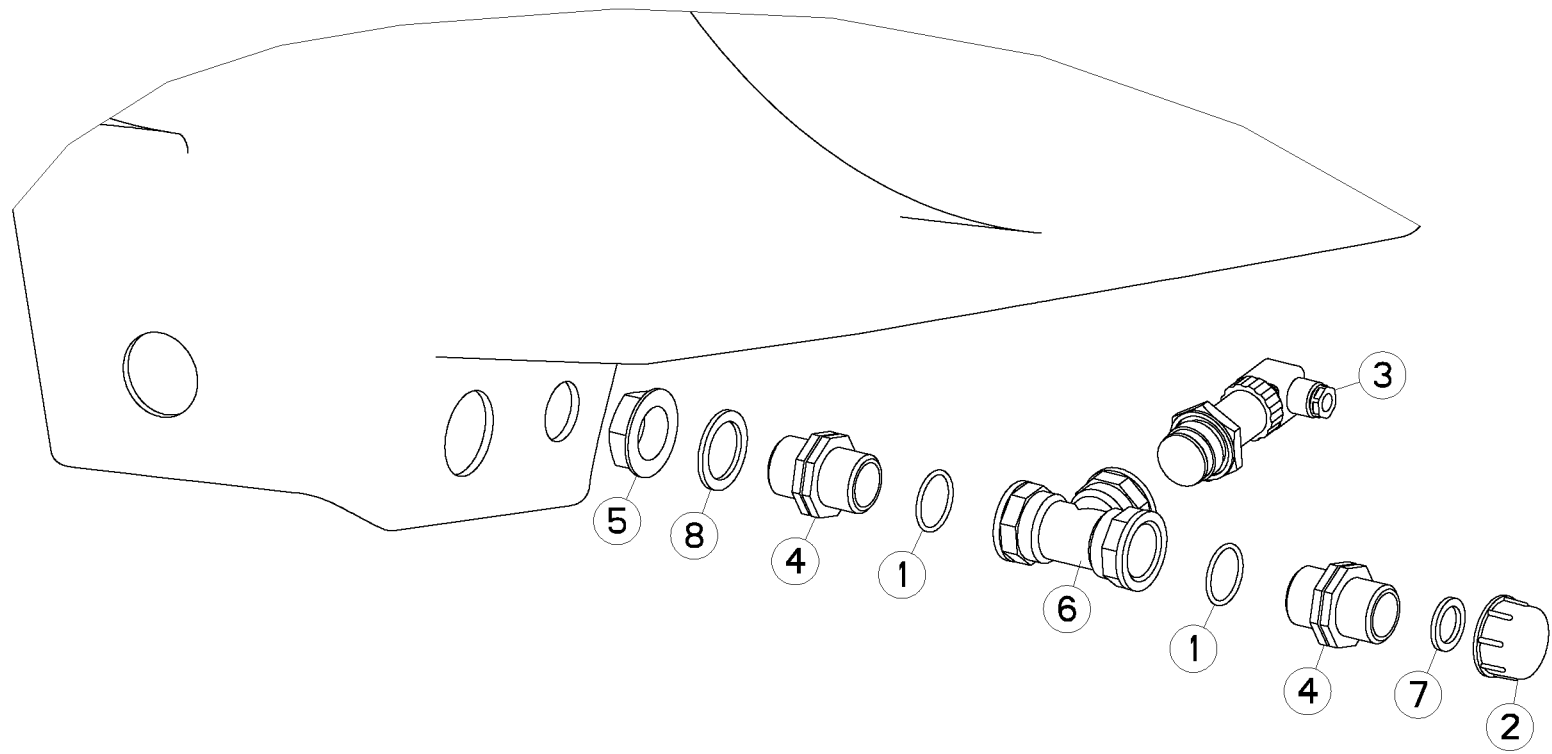
G40R0236 D

JAUGE CUVE DE RINÇAGE

GAUGE RINSING TANK

FÜLLSTANDSANZEIGE KLARWASSERBE DISPOSITIVO DI MISURAZIONE SER

Rep	Nr	Qt	Designation	Description	Bezeichnung	Referenza	Remarque - Remark - Bemerkung - Osservazioni
001	83001202	001	BILLE POLYPROPYLENE (PPH) VERT				
002	83090172	002	COLLIER 1 OREILLE INOX				
003	83090173	001	COLLIER 1 OREILLE INOX				
004	83600233	001	BOUCHON	PLUG	VERSCHLUSSSCHRAUBE	TAPPO	
005	83634010	001	ECROU	NUT	MUTTER	DADO	
006	83634016	001	ECROU	NUT	MUTTER	DADO	
007	83654020	001	REDUCTION	ADAPTER, REDUCER	REDUZIERUNG	RIDUZIONE	
008	83654034	001	MAMELON	UNION	VERBINDUNGSTUECK	CONNETTORE	
009	83654053	001	EMBOUT	END PIECE	ENDSTUECK	GIUNTO	
010	83655010	001	RACCORD	FITTING	VERBINDUNG	RACCORDO	
011	83655050	001	RACCORD	FITTING	VERBINDUNG	RACCORDO	
012	83655067	001	RACCORD	FITTING	VERBINDUNG	RACCORDO	
013	83655086	001	RACCORD	FITTING	VERBINDUNG	RACCORDO	
014	83655100	001	RACCORD	FITTING	VERBINDUNG	RACCORDO	
015	83668024	003	JOINT	SEAL	DICHTUNG	GUARNIZIONE	
016	82060925	001	JOINT TORIQUE	O-RING	O-RING	GUARNIZIONE	
017	G0173000	001	COLLIER	CLAMP, HOSE	SCHLAUCHSCHELLE	COLLARE	
018	G0225530	002	JOINT	SEAL	DICHTUNG	GUARNIZIONE	
019	G0291010	001	JOINT	SEAL	DICHTUNG	GUARNIZIONE	
020	G9100100	001	TUYAU	PIPE	ROHR	TUBO	
021	G9100220	001	TUYAU	PIPE	ROHR	TUBO	





METRIS

G40R0234 C

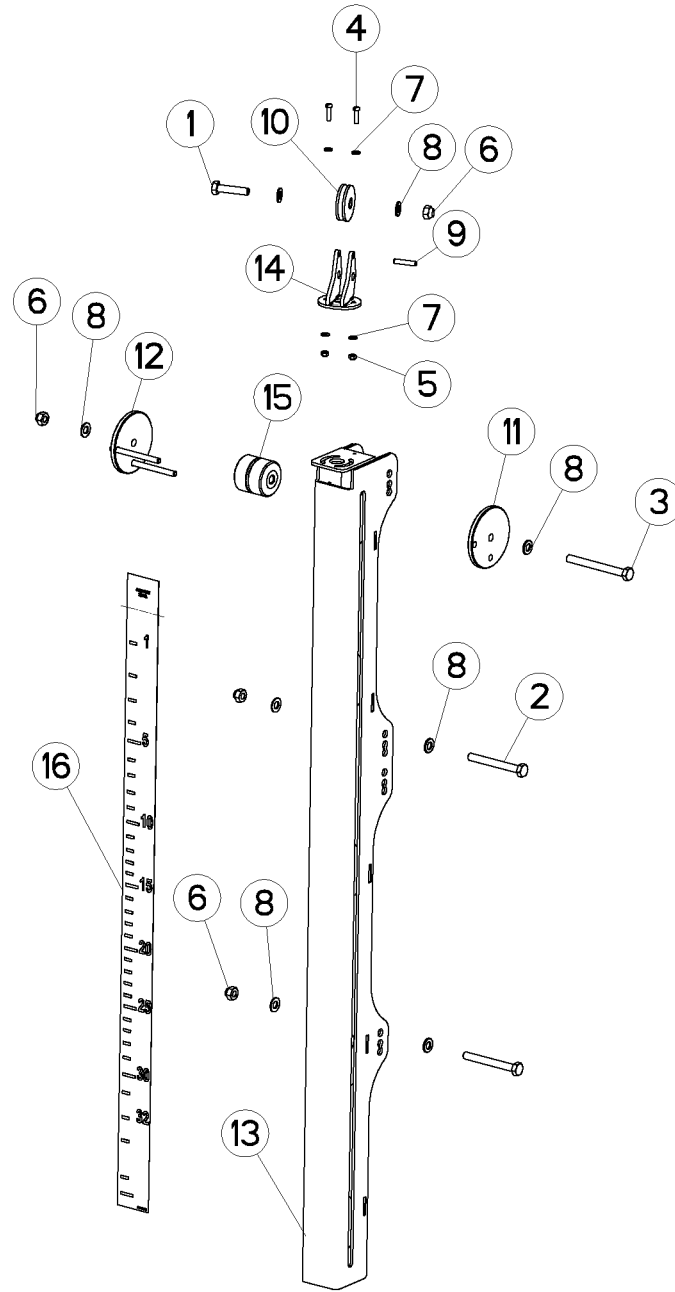
JAUGE ELECTRIQUE

GAUGE ELECTRIC

FÜLLSTANDSANZEIGE ELEKTRISCHE

DISPOSITIVO DI MISURAZIONE ELE

Rep	Nr	Qt	Designation	Description	Bezeichnung	Referenza	Remarque - Remark - Bemerkung - Osservazioni
001	82062908	002	JOINT TORIQUE VITON VERT	O-RING	O-RING	GUARNIZIONE	
002	83600228	001	BOUCHON	PLUG	VERSCHLUSSSCHRAUBE	TAPPO	
003	83600297	001	CAPTEUR	SENSOR	SENSOR	SENSORE	
004	83654035	002	MAMELON	UNION	VERBINDUNGSTUECK		
005	83654056	001	EMBOUT	END PIECE	ENDSTUECK	GIUNTO	
006	83657005	001	TE	FITTING, HYDRAULIC, TEE	T-STUECK	RACCORDO A T	
007	83668024	001	JOINT	SEAL	DICHTUNG	GUARNIZIONE	
008	83668026	001	JOINT	SEAL	DICHTUNG	GUARNIZIONE	





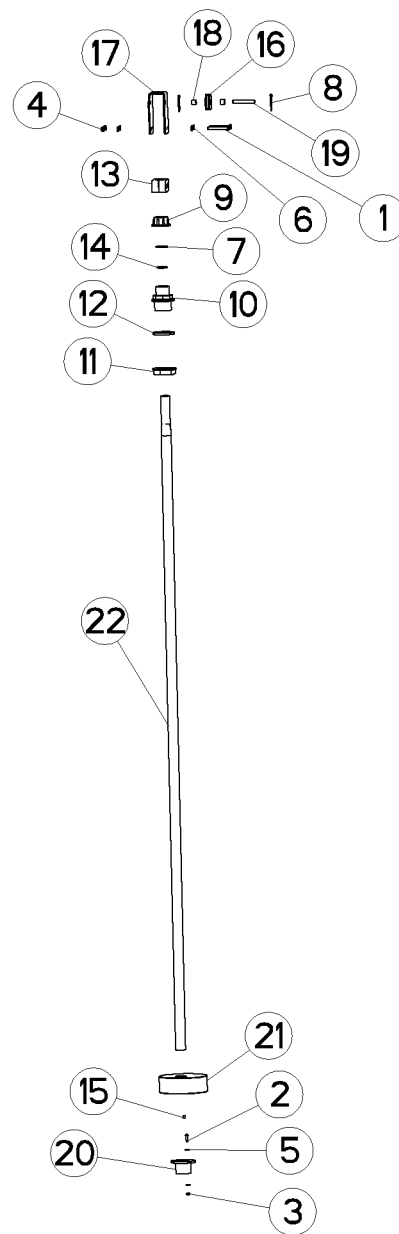
JAUGE 3200L ALUMINIUM

GAUGE 3200L ALUMINIUM

FÜLLSTANDSANZEIGE 3200L ALUMIN

DISPOSITIVO DI MISURAZIONE 320

Rep	Nr	Qt	Designation	Description	Bezeichnung	Referenza	Remarque - Remark - Bemerkung - Osservazioni
001	80060836	001	VIS TETE HEXAGONALE INOX	HEXAGON HEAD SCREW INOX	SECHSKANTSCHRAUBE INOX	VITE A TESTA ESAGONALE INOX	
002	80060870	002	VIS TETE HEXAGONALE INOX	HEXAGON HEAD SCREW INOX	SECHSKANTSCHRAUBE INOX	VITE A TESTA ESAGONALE INOX	
003	80060880	001	VIS TETE HEXAGONALE INOX	HEXAGON HEAD SCREW INOX	SECHSKANTSCHRAUBE INOX	VITE A TESTA ESAGONALE INOX	
004	80100417	002	VIS TETE CYL.FENDUE INOX	SLOT.CHEES.HEAD SCREW INOX	ZYLINDERSCHAU.SCHLITZ INOX	VITE TESTA CILINDR.INOX	
005	80200441	002	ECROU HEX.BAS AUTOFR.INOX	SELF-LOCKING NUT INOX	SELBSTSICHERNDE MUTTER INOX	DADO AUTOBLOCCANTE INOX	
006	80200831	004	ECROU HEXAG.AUTOFREINE INOX	SELF-LOCKING NUT INOX	SELBSTSICHERNDE MUTTER INOX	DADO AUTOBLOCCANTE INOX	
007	80250410	004	RONDELLE PLATE INOX A2	PLAIN WASHER INOX A2	SCHEIBE INOX A2	RONDELLA PIATTALA INOX A2	
008	80250800	008	RONDELLE PLATE INOX A2	PLAIN WASHER INOX A2	SCHEIBE INOX A2	RONDELLA PIATTALA INOX A2	
009	80450526	001	GOUPILLE ELASTIQUE INOX	ROLL PIN INOX	SPANNHUELSE INOX	SPINA ELASTICA INOX	
010	G0861061	001	POULIE	PULLEY	RIEMENSCHLEIBE	PULEGGIA	
011	G0861065	001	RONDELLE PLATE	WASHER, FLAT	SCHEIBE	RONDELLA PIATTA	
012	G0861068	001	INDEX	POINTER	ZEIGER		
013	G4001180	001	JAUGE	GAUGE, SIGHT	MESSSTAB	INDICATORE	
014	G4001190	001	SUPPORT	SUPPORT	TRAEGER	SUPPORTO	
015	G4102840	001	CONTREPOIDS	COUNTERWEIGHT	GEGENGEWICHT	CONTRAPPESO	
016	G9000550	001	ETIQ.ADH.	DECAL	AUFKLEBER	ADESIVO	





METRIS

G40R0196 A

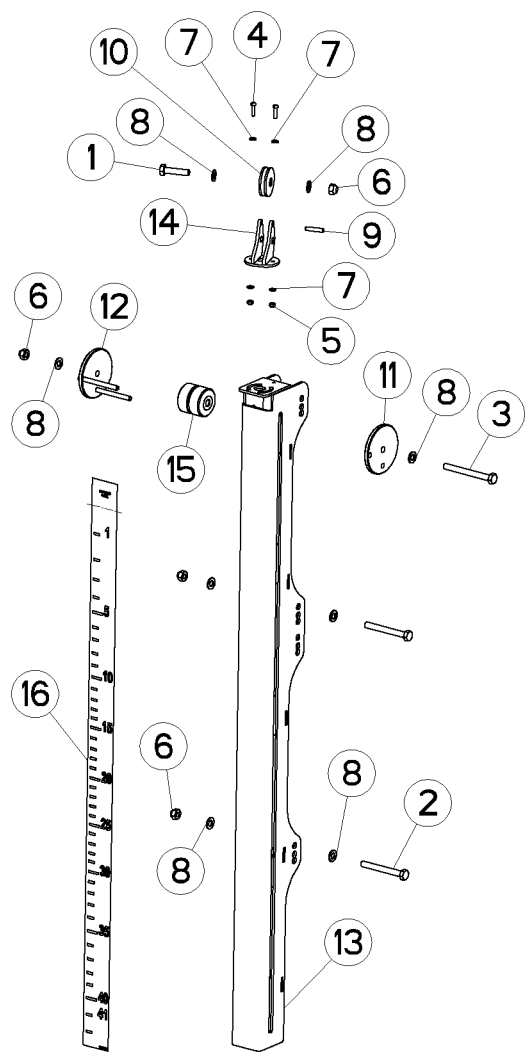
JAUGE INOX 3200L METRIS

GAUGE INOX 3200L METRIS

FÜLLSTANDSANZEIGE INOX 3200L M

DISPOSITIVO DI MISURAZIONE INO

Rep	Nr	Qt	Designation	Description	Bezeichnung	Referenza	Remarque - Remark - Bemerkung - Osservazioni
001	80060651	002	VIS TETE HEXAGONALE INOX				
002	80100417	001	VIS TETE CYL.FENDUE INOX	SLOT.CHEES.HEAD SCREW INOX	ZYLINDERSCHAU.SCHLITZ INOX	VITE TESTA CILINDR.INOX	
003	80200441	001	ECROU HEX.BAS AUTOFR.INOX	SELF-LOCKING NUT INOX	SELBSTSICHERNDE MUTTER INOX	DADO AUTOBLOCCANTE INOX	
004	80200631	002	ECROU HEX.BAS AUTOFR.INOX	SELF-LOCKING NUT INOX	SELBSTSICHERNDE MUTTER INOX	DADO AUTOBLOCCANTE INOX	
005	80250500	002	RONDELLE PLATE INOX A2	PLAIN WASHER INOX A2	SCHEIBE INOX A2	RONDELLA PIATTALA INOX A2	
006	80250601	004	RONDELLE PLATE INOX A2	PLAIN WASHER INOX A2	SCHEIBE INOX A2	RONDELLA PIATTALA INOX A2	
007	80252228	001	RONDELLE PLATE INOX A2	PLAIN WASHER INOX A2	SCHEIBE INOX A2	RONDELLA PIATTA INOX A2	
008	80500231	002	GOUPILLE FENDUE INOX				
009	83634009	001	ECROU	NUT	MUTTER	DADO	
010	83654022	001	REDUCTION	ADAPTER, REDUCER	REDUZIERUNG	RIDUZIONE	
011	83654054	001	EMBOUT	END PIECE	ENDSTUECK	GIUNTO	
012	83668030	001	JOINT	SEAL	DICHTUNG	GUARNIZIONE	
013	A7260029	001	COLLIER SIMPLE D22 NU	CLAMP D.22	SHELLE D.22	COLLARE D.22	
014	G0225530	001	JOINT	SEAL	DICHTUNG	GUARNIZIONE	
015	G0412620	001	MANCHON	SLEEVE	MUFFE	MANICOTTO	
016	G0861061	001	POULIE	PULLEY	RIEMENSCHLEIBE	PULEGGIA	
017	G4102730	001	SUPPORT	SUPPORT	TRAEGER	SUPPORTO	
018	G4102740	002	ENTRETOISE	SPACER	DISTANZHUELSE	DISTANZIALE	
019	G4102750	001	AXE	PIN	ACHSE	ASSE	
020	G4102760	001	SUPPORT	SUPPORT	TRAEGER	SUPPORTO	
021	G4102770	001	FLOTTEUR	FLOAT	SCHWIMMER		
022	G4104480	001	TUBE	TUBE	ROHR	TUBO	





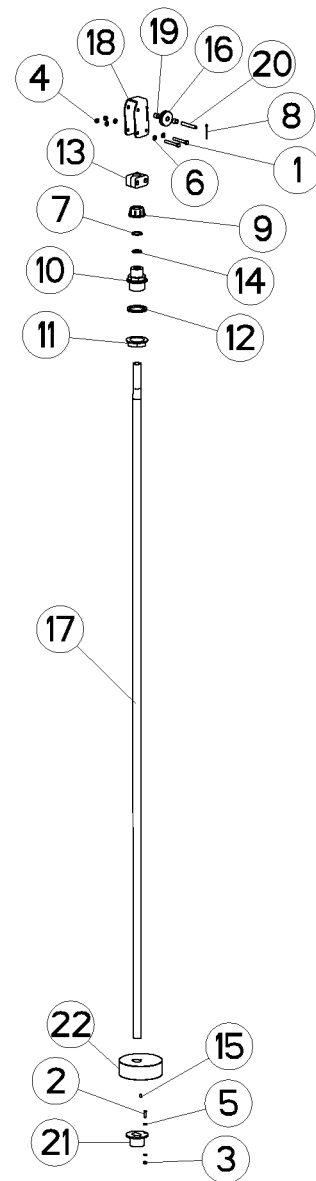
JAUGE ALU METRIS 4100L

GAUGE ALU METRIS 4100L

FÜLLSTANDSANZEIGE ALU METRIS 4

DISPOSITIVO DI MISURAZIONE ALU

Rep	Nr	Qt	Designation	Description	Bezeichnung	Referenza	Remarque - Remark - Bemerkung - Osservazioni
001	80060836	001	VIS TETE HEXAGONALE INOX	HEXAGON HEAD SCREW INOX	SECHSKANTSCHRAUBE INOX	VITE A TESTA ESAGONALE INOX	
002	80060870	002	VIS TETE HEXAGONALE INOX	HEXAGON HEAD SCREW INOX	SECHSKANTSCHRAUBE INOX	VITE A TESTA ESAGONALE INOX	
003	80060880	001	VIS TETE HEXAGONALE INOX	HEXAGON HEAD SCREW INOX	SECHSKANTSCHRAUBE INOX	VITE A TESTA ESAGONALE INOX	
004	80100417	002	VIS TETE CYL.FENDUE INOX	SLOT.CHEES.HEAD SCREW INOX	ZYLINDERSCHAU.SCHLITZ INOX	VITE TESTA CILINDR.INOX	
005	80200441	002	ECROU HEX.BAS AUTOFR.INOX	SELF-LOCKING NUT INOX	SELBSTSICHERNDE MUTTER INOX	DADO AUTOBLOCCANTE INOX	
006	80200831	004	ECROU HEXAG.AUTOFREINE INOX	SELF-LOCKING NUT INOX	SELBSTSICHERNDE MUTTER INOX	DADO AUTOBLOCCANTE INOX	
007	80250410	004	RONDELLE PLATE INOX A2	PLAIN WASHER INOX A2	SCHEIBE INOX A2	RONDELLA PIATTALA INOX A2	
008	80250800	008	RONDELLE PLATE INOX A2	PLAIN WASHER INOX A2	SCHEIBE INOX A2	RONDELLA PIATTALA INOX A2	
009	80450526	001	GOUPILLE ELASTIQUE INOX	ROLL PIN INOX	SPANNHUELSE INOX	SPINA ELASTICA INOX	
010	G0861061	001	POULIE	PULLEY	RIEMENSCHIEBE	PULEGGIA	
011	G0861065	002	RONDELLE PLATE	WASHER, FLAT	SCHEIBE	RONDELLA PIATTA	
012	G0861068	001	INDEX	POINTER	ZEIGER		
013	G4001180	001	JAUGE	GAUGE, SIGHT	MESSSTAB	INDICATORE	
014	G4001190	001	SUPPORT	SUPPORT	TRAEGER	SUPPORTO	
015	G4102840	001	CONTREPOIDS	COUNTERWEIGHT	GEGENGEWICHT	CONTRAPPESO	
016	G9000450	001	ETIQ.ADH.	DECAL	AUFKLEBER	ADESIVO	





METRIS

G40R0214 A

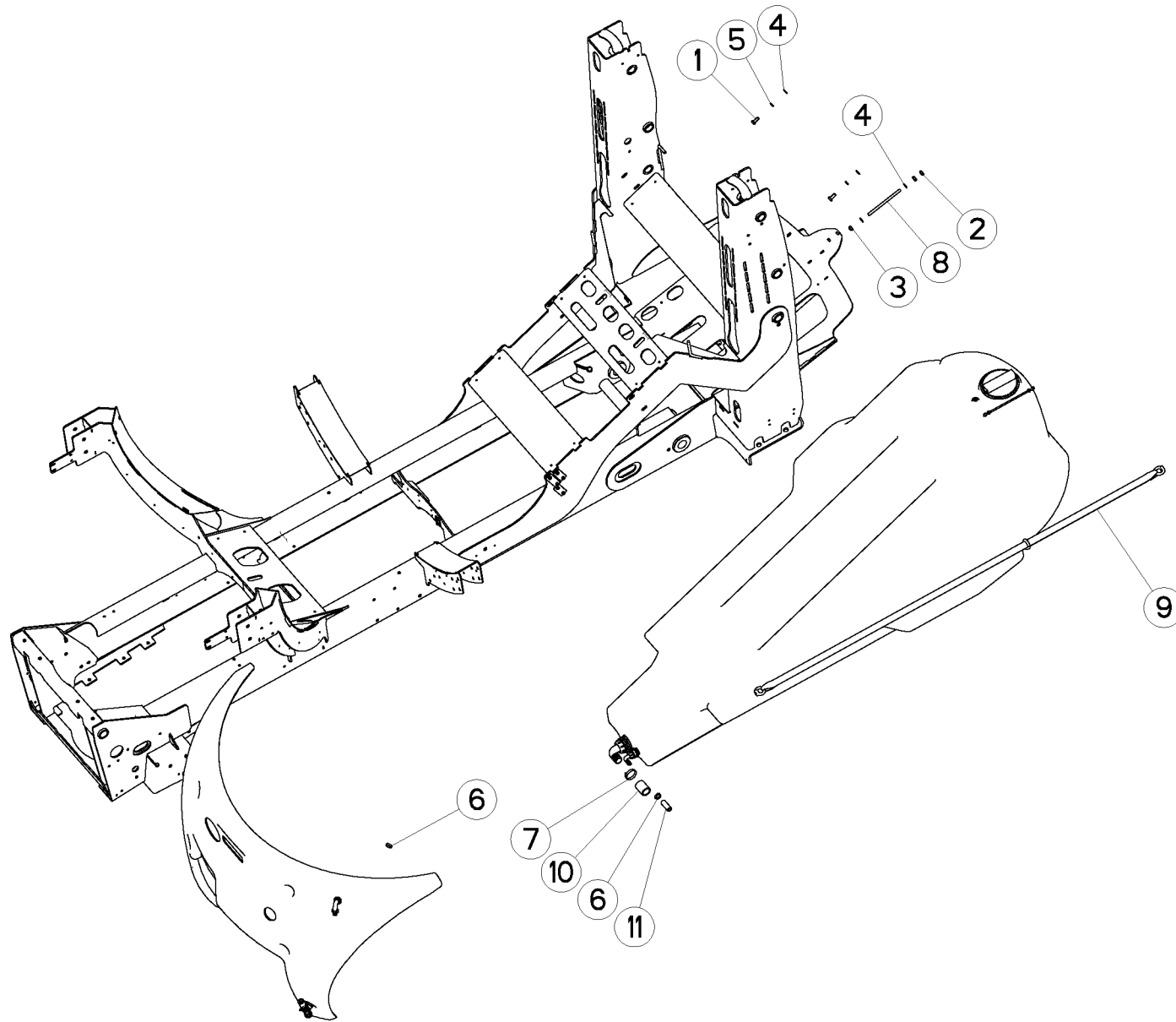
JAUGE INOX 4100L METRIS

GAUGE INOX 4100L METRIS

FÜLLSTANDSANZEIGE INOX 4100L M

DISPOSITIVO DI MISURAZIONE INO

Rep	Nr	Qt	Designation	Description	Bezeichnung	Referenza	Remarque - Remark - Bemerkung - Osservazioni
001	80060651	002	VIS TETE HEXAGONALE INOX				
002	80100417	001	VIS TETE CYL.FENDUE INOX	SLOT.CHEES.HEAD SCREW INOX	ZYLINDERSCHAU.SCHLITZ INOX	VITE TESTA CILINDR.INOX	
003	80200441	001	ECROU HEX.BAS AUTOFR.INOX	SELF-LOCKING NUT INOX	SELBSTSICHERNDE MUTTER INOX	DADO AUTOBLOCCANTE INOX	
004	80200631	002	ECROU HEX.BAS AUTOFR.INOX	SELF-LOCKING NUT INOX	SELBSTSICHERNDE MUTTER INOX	DADO AUTOBLOCCANTE INOX	
005	80250500	002	RONDELLE PLATE INOX A2	PLAIN WASHER INOX A2	SCHEIBE INOX A2	RONDELLA PIATTALA INOX A2	
006	80250601	004	RONDELLE PLATE INOX A2	PLAIN WASHER INOX A2	SCHEIBE INOX A2	RONDELLA PIATTALA INOX A2	
007	80252228	001	RONDELLE PLATE INOX A2	PLAIN WASHER INOX A2	SCHEIBE INOX A2	RONDELLA PIATTA INOX A2	
008	80500231	002	GOUPILLE FENDUE INOX				
009	83634009	001	ECROU	NUT	MUTTER	DADO	
010	83654022	001	REDUCTION	ADAPTER, REDUCER	REDUZIERUNG	RIDUZIONE	
011	83654054	001	EMBOUT	END PIECE	ENDSTUECK	GIUNTO	
012	83668030	001	JOINT	SEAL	DICHTUNG	GUARNIZIONE	
013	A7260029	001	COLLIER SIMPLE D22 NU	CLAMP D.22	SHELLE D.22	COLLARE D.22	
014	G0225530	001	JOINT	SEAL	DICHTUNG	GUARNIZIONE	
015	G0412620	001	MANCHON	SLEEVE	MUFFE	MANICOTTO	
016	G0861061	001	POULIE	PULLEY	RIEMENSCHLEIBE	PULEGGIA	
017	G4102450	001	TUBE	TUBE	ROHR	TUBO	
018	G4102730	001	SUPPORT	SUPPORT	TRAEGER	SUPPORTO	
019	G4102740	002	ENTRETOISE	SPACER	DISTANZHUELSE	DISTANZIALE	
020	G4102750	001	AXE	PIN	ACHSE	ASSE	
021	G4102760	001	SUPPORT	SUPPORT	TRAEGER	SUPPORTO	
022	G4102770	001	FLOTTEUR	FLOAT	SCHWIMMER		





METRIS

G40R0235 B

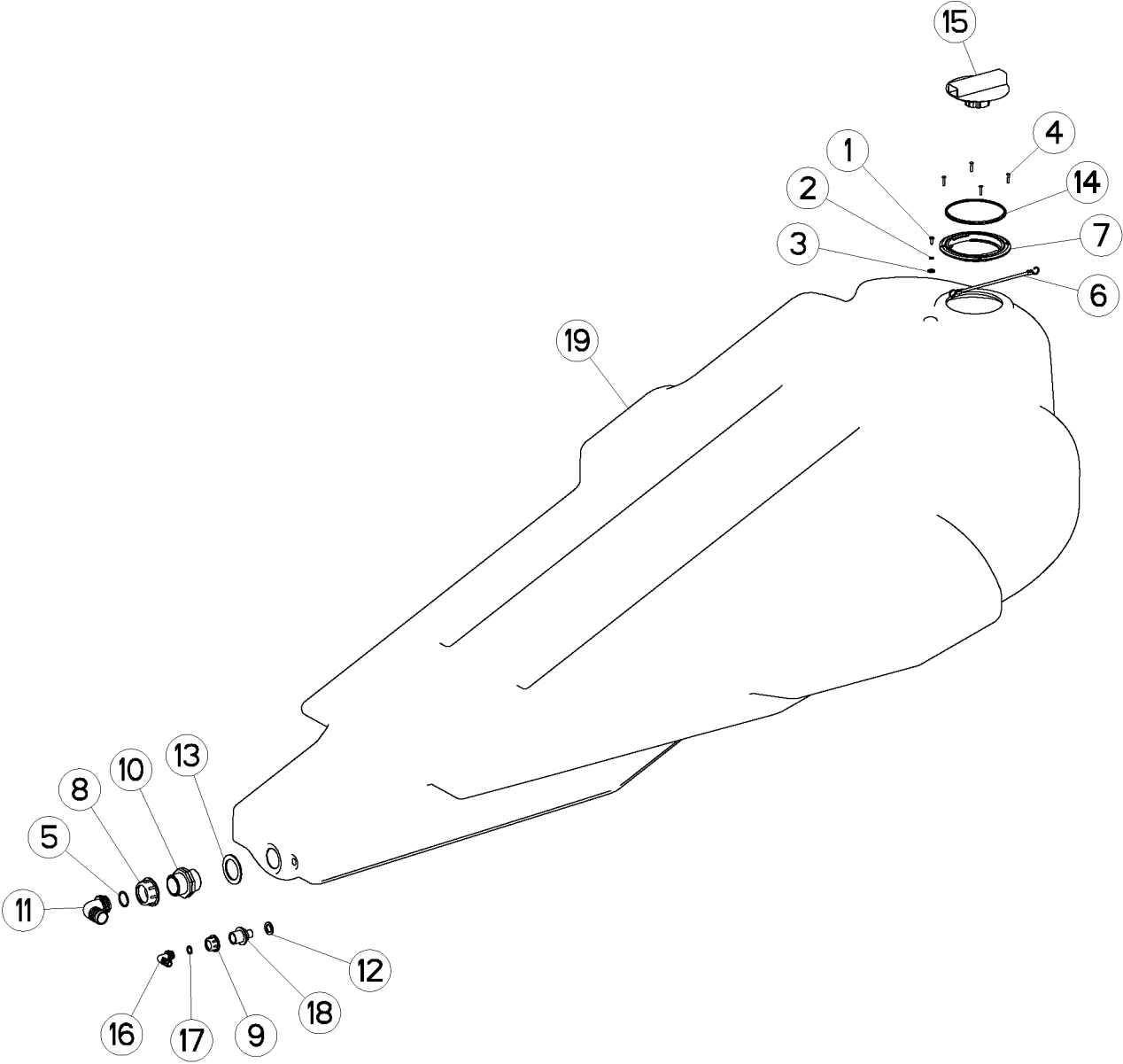
CUVE DE RINÇAGE METRIS

RINSING TANK METRIS

KLARWASSERBEHAELTER METRIS

SERBATOIO DI RISCIAQUO METRIS

Rep	Nr	Qt	Designation	Description	Bezeichnung	Referenza	Remarque - Remark - Bemerkung - Osservazioni
001	80061027	002	VIS TETE HEXAGONALE INOX	HEXAGON HEAD SCREW INOX	SECHSKANTSCHRAUBE INOX	VITE A TESTA ESAGONALE INOX	
002	80201002	002	ECROU HEXAGONAL INOX	HEXAGON NUT INOX	SECHSKANTMUTTER INOX	DADO INOX	
003	80201049	001	ECROU HEX.BAS AUTOFR.INOX	SELF-LOCKING NUT INOX	SELBSTSICHERNDE MUTTER INOX	DADO AUTOBLOCCANTE INOX	
004	80251005	004	RONDELLE PLATE INOX A2	PLAIN WASHER INOX A2	SCHEIBE INOX A2	RONDELLA PIATTALA INOX A2	
005	80271083	002	RONDELLE GROWER INOX A2	WASHER, SPRING LOCK INOX A2	FEDERRING INOX A2	RONDELLA GROWER INOX A2	
006	83090172	002	COLLIER 1 OREILLE INOX				
007	83090181	001	COLLIER	CLAMP, HOSE	SCHLAUCHSCHELLE	COLLARE	
008	G0694591	001	TIGE	STEM	STANGE	STELO	
009	G4102430	001	SANGLE	STRAP	GURTBAND		
010	G9100080	001	TUYAU	PIPE	ROHR	TUBO	
011	G9100090	001	TUYAU	PIPE	ROHR	TUBO	





METRIS

G40R0237 A

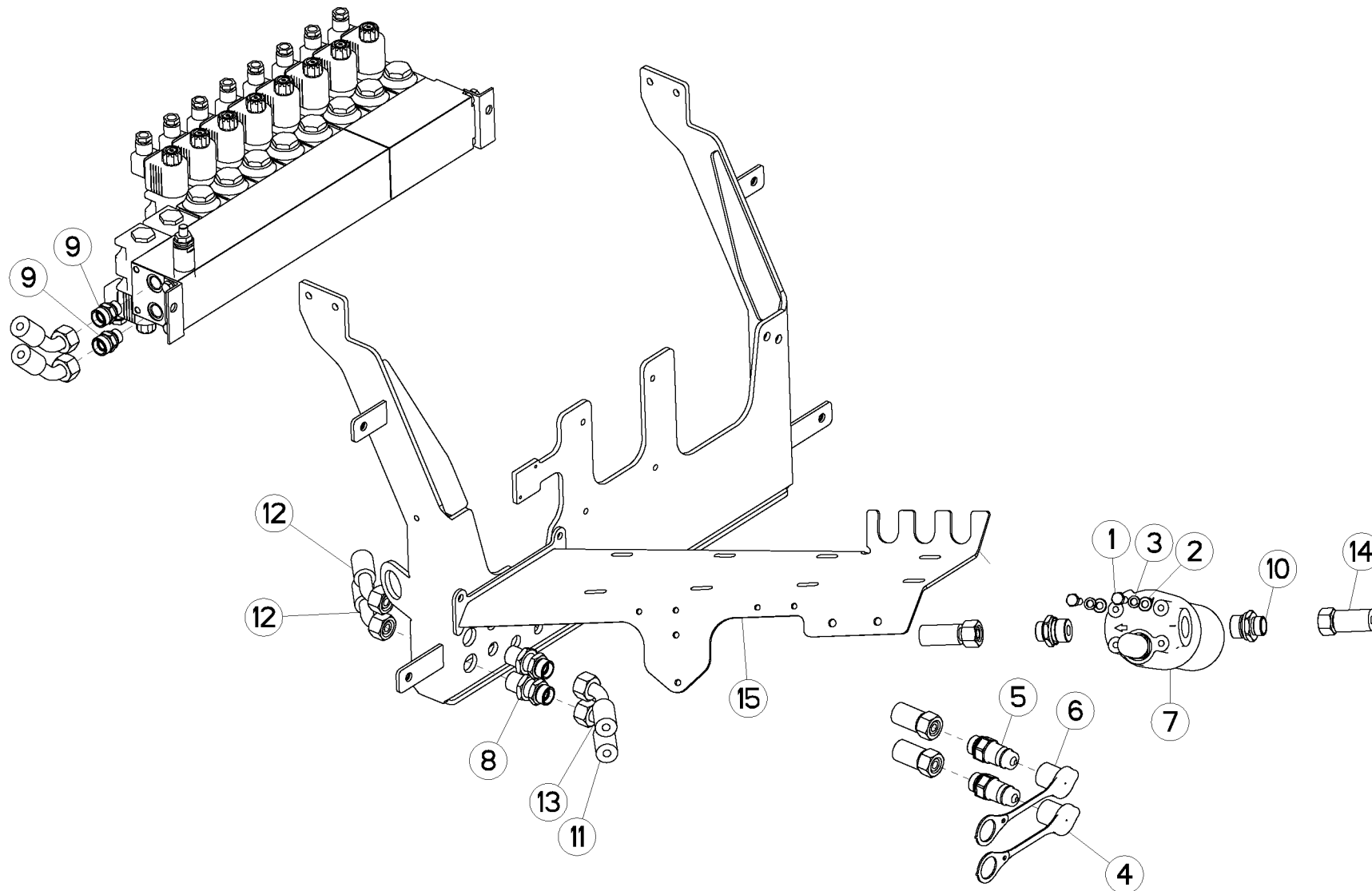
CUVE DE RINÇAGE METRIS

RINSING TANK METRIS

KLARWASSERBEHAELTER METRIS

SERBATOIO DI RISCIAQUO METRIS

Rep	Nr	Qt	Designation	Description	Bezeichnung	Referenza	Remarque - Remark - Bemerkung - Osservazioni
001	80190501	001	VIS A TOLE T/CYL.BOMB.INOX	PEN HEAD TAPPING SCREW INOX	LINSEN-BLECHSCHRAUBE INOX	VITE INOX	
002	80250500	001	RONDELLE PLATE INOX A2	PLAIN WASHER INOX A2	SCHEIBE INOX A2	RONDELLA PIATTALA INOX A2	
003	80250800	001	RONDELLE PLATE INOX A2	PLAIN WASHER INOX A2	SCHEIBE INOX A2	RONDELLA PIATTALA INOX A2	
004	80370432	004	RIVET POP ALU BROLO				
005	82062935	001	JOINT TORIQUE	O-RING	O-RING	GUARNIZIONE	
006	83070063	001	LIEN PVC	PVC CORD	SICHERUNGSBAND	CAVETTO	
007	83600212	001	BAGUE	BUSHING	HUELSE	BOCCOLA	
008	83634005	001	ECROU	NUT	MUTTER	DADO	
009	83634016	001	ECROU	NUT	MUTTER	DADO	
010	83654032	001	MAMELON	UNION	VERBINDUNGSTUCK	NIPPLO	
011	83655005	001	RACCORD	FITTING	VERBINDUNG	RACCORDO	
012	83668023	001	JOINT	SEAL	DICHTUNG	GUARNIZIONE	
013	83668046	001	JOINT PLAT	GASKET	DICHTUNG		
014	83668048	001	JOINT	SEAL	DICHTUNG	GUARNIZIONE	
015	G0239520	001	CLAPET	VALVE, FLAP	RUECKSCHLAGVENTIL	VALVOLA	
016	G0269825	001	RACCORD	FITTING	VERBINDUNG	RACCORDO	
017	G0291010	001	JOINT	SEAL	DICHTUNG	GUARNIZIONE	
018	G0441420	001	REDUCTION	ADAPTER, REDUCER	REDUZIERUNG	RIDUZIONE	
019	G4200050	001	CUVE	TANK	BEHAELTER	CUBA	





METRIS

G40R0304 B

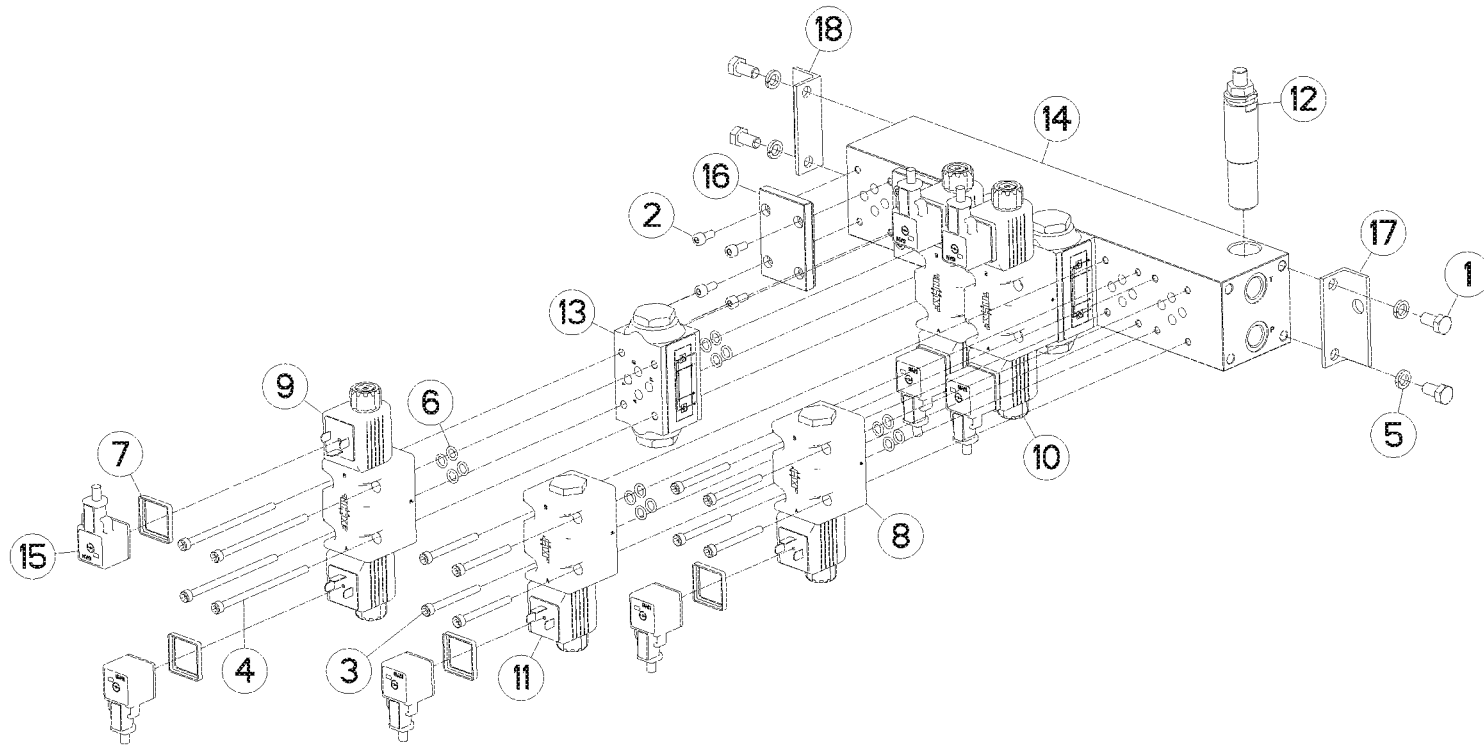
HYDRAULIQUE ED ALIMENTATION

HYDRAULIC ED FEED

HYDRAULIK ED VERSORGUNG

IDRAULICO ED ALIMENTAZIONE

Rep	Nr	Qt	Designation	Description	Bezeichnung	Referenza	Remarque - Remark - Bemerkung - Osservazioni
001	80060821	002	VIS TETE HEXAGONALE INOX	HEXAGON HEAD SCREW INOX	SECHSKANTSCHRAUBE INOX	VITE A TESTA ESAGONALE INOX	
002	80250800	002	RONDELLE PLATE INOX A2	PLAIN WASHER INOX A2	SCHEIBE INOX A2	RONDELLA PIATTALA INOX A2	
003	80270883	002	RONDELLE GROWER INOX A2	WASHER, SPRING LOCK INOX A2	FEDERRING INOX A2	RONDELLA GROWER INOX A2	
004	82300026	001	CAPUCHON COUPLEUR MALE	CAP MALE CONNECTOR	KAPPE KUPPLUNGSSTECKER	TAPPO	
005	A4074018	002	COUPLEUR MALE	CONNECTOR MALE	KUPPLUNGSTECKER	ATTACCO IDRAULICO	
006	A4074046	001	CAPUCHON COUPLEUR MALE	CAP MALE CONNECTOR	KAPPE KUPPLUNG STECKER	TAPPO PLASTICA	
007	A4079027	001	FILTRE PRESSION MFM55	FILTER	FILTER		
008	A4080321	002	UNION DOUBLE/CLOISON FE/ZNNI	BULKHEAD UNION	VERBINDUNGSNIPEL	CONNETTORE	
009	A4080496	002	UNION MALE FE/ZNNI	FITTING, HYDRAULIC, UNION	VERBINDUNG	CONNETTORE	
010	A4082430	002	UNION	FITTING, HYDRAULIC, UNION	VERBINDUNG	CONNETTORE	
011	A4923140	001	FLEXIBLE	HOSE, HYDRAULIC	HYDRAULIKSCHLAUCH	TUBO IN GOMMA	<->2000 mm
012	A4923141	002	FLEXIBLE	HOSE, HYDRAULIC	HYDRAULIKSCHLAUCH	TUBO IN GOMMA	<->5860 mm
013	A4923178	001	FLEXIBLE	HOSE, HYDRAULIC	HYDRAULIKSCHLAUCH	TUBO IN GOMMA	<->450 mm
014	A4923179	001	FLEXIBLE	HOSE, HYDRAULIC	HYDRAULIKSCHLAUCH	TUBO IN GOMMA	<->1500 mm
015	G4000960	001	POTENCE	BOOM	TRAGARM	ATTACCO ATTREZZO	





METRIS

G90R0062 A

BLOC HYDRAULIQUE ED 4

HYDRAULIC BLOCK ED 4

STUEBERBLOCK ED 4

BLOCCO IDRAULICO ED 4

Rep	Nr	Qt	Designation	Description	Bezeichnung	Referenza	Remarque - Remark - Bemerkung - Osservazioni
001	80060817	004	VIS TETE HEXAGONALE INOX	HEXAGON HEAD SCREW INOX	SECHSKANTSCHRAUBE INOX	VITE A TESTA ESAGONALE INOX	
002	80080512	008	VIS TETE CYL.SIX P.CR.FE/ZNXC3	HEX.SOCK.HEAD CAP SCR.FE/ZNXC3	ZYLINDERSCHR.INNENSEC.FE/ZNXC3	VITE A TESTA CILINDR. FE/ZNXC3	
003	80080550	008	VIS TETE CYL.SIX P.CR.FE/ZNXC3	HEX.SOCK.HEAD CAP SCR.FE/ZNXC3	ZYLINDERSCHR.INNENSEC.FE/ZNXC3	VITE A TESTA CILINDR. FE/ZNXC3	
004	80080590	012	VIS TETE CYL.SIX P.CR.FE/ZNXC3	HEX.SOCK.HEAD CAP SCR.FE/ZNXC3	ZYLINDERSCHR.INNENSEC.FE/ZNXC3	VITE A TESTA CILINDR. FE/ZNXC3	
005	80270883	004	RONDELLE GROWER INOX A2	WASHER, SPRING LOCK INOX A2	FEDERRING INOX A2	RONDELLA GROWER INOX A2	
006	82060818	032	JOINT TORIQUE	O-RING	O-RING	GUARNIZIONE	
007	83235067	008	JOINT PROFILE DIN43650-A	PROFILED GASKET DIN43650-A	PROFILDICHTUNG DIN43650-A	UNITO PIATTO DIN43650-A	
008	A4050050	001	DISTRIBUTEUR	VALVE, DIVERTER	VERTEILER	DISTRIBUTORE	
009	A4050051	001	DISTRIBUTEUR	VALVE, DIVERTER	VERTEILER	DISTRIBUTORE	
010	A4050052	002	DISTRIBUTEUR	VALVE, DIVERTER	VERTEILER	DISTRIBUTORE	
011	A4050053	001	DISTRIBUTEUR	VALVE, DIVERTER	VERTEILER	DISTRIBUTORE	
012	A4070053	001	LIMITEUR DE PRESSION	PRESSURE RELIEF VALVE	DRUCKBEGRENZUNGSVENTIL	LIMITATORE DI PRESSIONE	
013	A4071217	003	CLAPET	VALVE, FLAP	RUECKSCHLAGVENTIL	VALVOLA	
014	A4101093	001	BLOC	BLOCK	BLOCK	BLOCCO	
015	A7040401	008	CONNECTEUR	CONNECTOR	STECKER	CONNETTORE	
016	G0411610	002	PLAQUE	PLATE	PLATTE	PIASTRA	
017	G0813020	001	SUPPORT	SUPPORT	TRAEGER	SUPPORTO	
018	G0813021	001	SUPPORT	SUPPORT	TRAEGER	SUPPORTO	

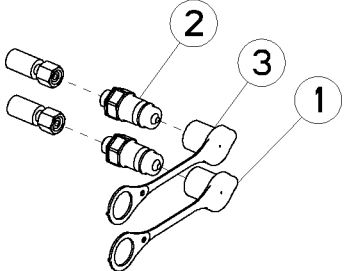
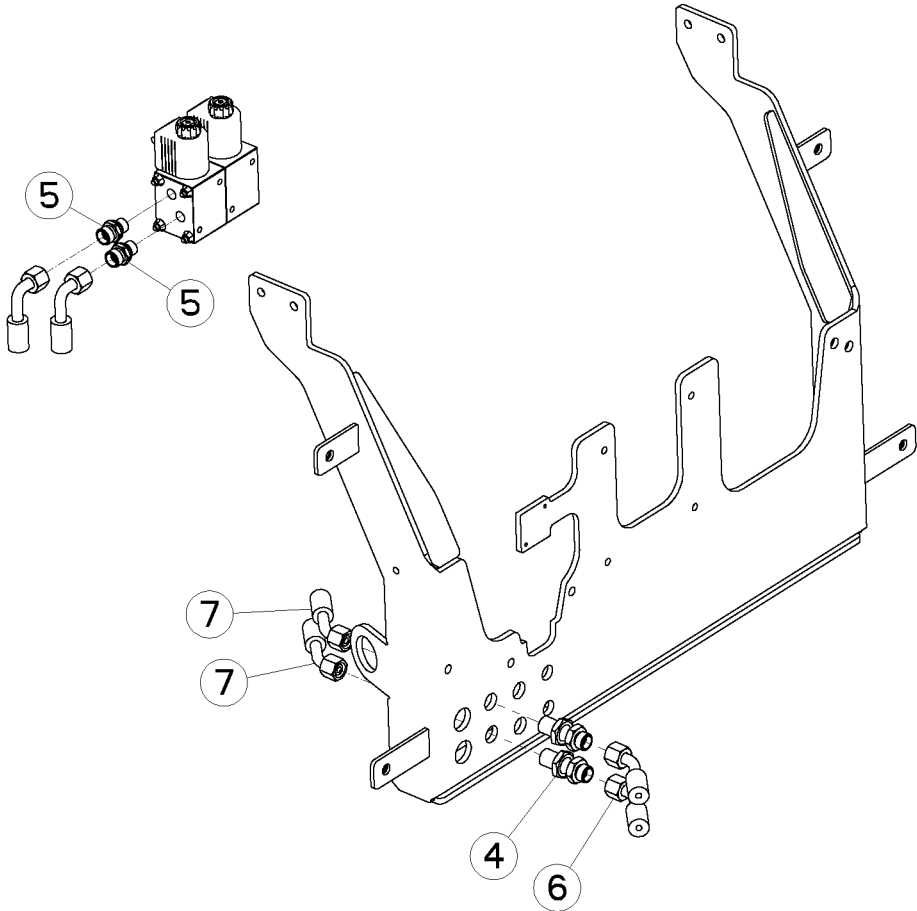


HYDRAULIQUE (ELECTROVANNE)

HYDRAULIC (ELEKTROSWITCH)

HYDRAULIK (ELEKTROWAHLSCHALTUNG) IDRAULICO (ELETTROINTERRUTTO)

Rep	Nr	Qt	Designation	Description	Bezeichnung	Referenza	Remarque - Remark - Bemerkung - Osservazioni
001	59901300	002	PICTOGR.H DANGER ACCUMULAT	PICTORIAL H DANGER ACCUMULATOR	PIKTOGR.H GEFAHR HYDROSPEICHER	ADESIVO	
002	80080646	002	VIS TETE CYL.SIX P.CRE.INOX	HEX.SOCKET HEAD CAP SCREW INOX	ZYLINDERSCHR.INNENSECHSK.INOX	VITE A TESTA CILINDRICA INOX	
003	80200631	002	ECROU HEX.BAS AUTOFR.INOX	SELF-LOCKING NUT INOX	SELBSTSICHERNDE MUTTER INOX	DADO AUTOBLOCCANTE INOX	
004	80250601	002	RONDELLE PLATE INOX A2	PLAIN WASHER INOX A2	SCHEIBE INOX A2	RONDELLA PIATTALA INOX A2	
005	A4060668	002	ADAPTATEUR M1/2 F1/4 FE/ZNNI	FITTING, HYDRAULIC, ADAPTER	ANBAUELEMENT	ADATTATORE	
006	A4061832	005	BOUCHON	PLUG	VERSCHLUSSSCHRAUBE	TAPPO	
007	A4080487	005	UNION MALE FE/ZNNI	FITTING, HYDRAULIC, UNION	VERBINDUNG	CONNETTORE	
008	A4080488	002	UNION MALE FE/ZNNI	FITTING, HYDRAULIC, UNION	VERBINDUNG	CONNETTORE	
009	A4080497	002	UNION MALE FE/ZNNI	FITTING, HYDRAULIC, UNION	VERBINDUNG	CONNETTORE	
010	A4080529	001	ADAPTATEUR MALE FE/ZNNI	FITTING, HYDRAULIC, ADAPTER	ANBAUELEMENT	ADATTATORE	
011	A4080530	004	ADAPTATEUR MALE FE/ZNNI	FITTING, HYDRAULIC, ADAPTER	ANBAUELEMENT	ADATTATORE	
012	A4082418	002	UNION MALE FE/ZNNI	FITTING, HYDRAULIC, UNION	VERBINDUNG	CONNETTORE	
013	A4082715	002	COUDE TOURNANT	AJUSTABLE MALE STUD ELBOW	EINSTELLBARE WINKEL STUTZEN	GIUNZIONE A 90°ORIENTABILE	
014	A4920142	001	FLEXIBLE	HOSE, HYDRAULIC	HYDRAULIKSCHLAUCH	TUBO IN GOMMA	<->1350 mm
015	A4920194	002	FLEXIBLE	HOSE, HYDRAULIC	HYDRAULIKSCHLAUCH	TUBO IN GOMMA	<->2400 mm
016	G0151550	002	TE	FITTING, HYDRAULIC, TEE	T-STUCK	RACCORDO A T	
017	G0252810	001	ETRANGLEUR	ADAPTER, RESTRICTOR	OELDROSSEL	RIDUTTORE	
018	G0447650	002	ACCUMULATEUR HYDRO-PNEUMATIQUE	ACCUMULATOR	DRUCKSPEICHER	ACCUMULATORE	
019	G4001430	001	BLOC	BLOCK	BLOCK	BLOCCO	
020	G9000800	002	ELECTROVANNE	VALVE, SOLENOID	ELEKTROSCHIEBER	ELETTROVALVOLA	



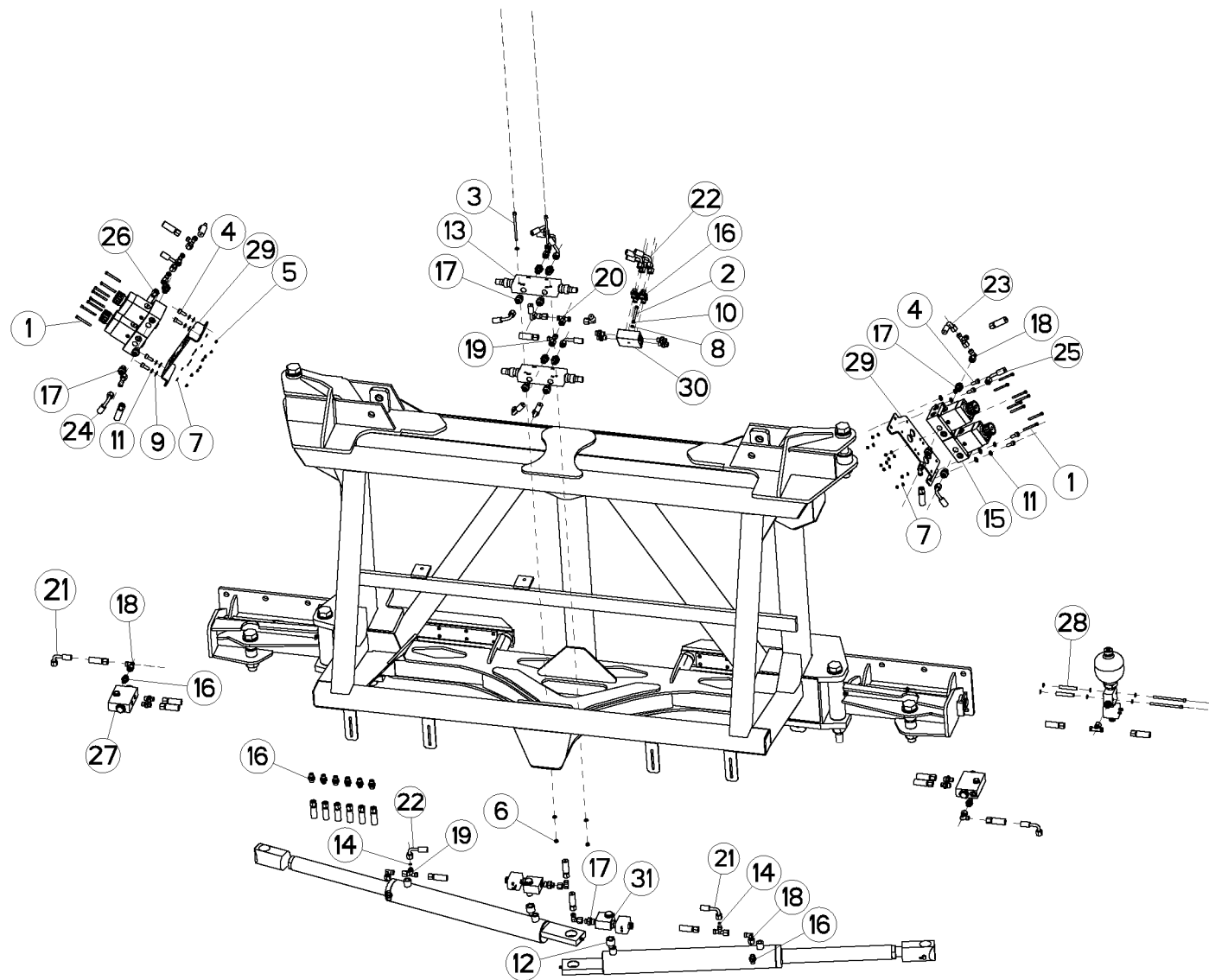


METRIS

G40R0330 A

HYDRAULIQUE SÉLECTEUR ALIMENTA HYDRAULIC CONTROL VALVE FEED HYDRAULIK STANDARDSSTEUERUNG V VALVOLA DI COMANDO IDRAULICO

Rep	Nr	Qt	Designation	Description	Bezeichnung	Referenza	Remarque - Remark - Bemerkung - Osservazioni
001	82300026	001	CAPUCHON COUPLEUR MALE	CAP MALE CONNECTOR	KAPPE KUPPLUNGSSTECKER	TAPPO	
002	A4074017	002	COUPLEUR MALE	CONNECTOR MALE	KUPPLUNGSTECKER	INNESTO M16X150	
003	A4074046	001	CAPUCHON COUPLEUR MALE	CAP MALE CONNECTOR	KAPPE KUPPLUNG STECKER	TAPPO PLASTICA	
004	A4080320	002	UNION DOUBLE/CLOISON FE/ZNNI	BULKHEAD UNION	VERBINDUNGSNIPEL	CONNETTORE	
005	A4082418	002	UNION MALE FE/ZNNI	FITTING, HYDRAULIC, UNION	VERBINDUNG	CONNETTORE	
006	A4921159	002	FLEXIBLE	HOSE, HYDRAULIC	HYDRAULIKSCHLAUCH	TUBO IN GOMMA	<->2140 mm
007	A4921170	002	FLEXIBLE	HOSE, HYDRAULIC	HYDRAULIKSCHLAUCH	TUBO IN GOMMA	<->5860 mm





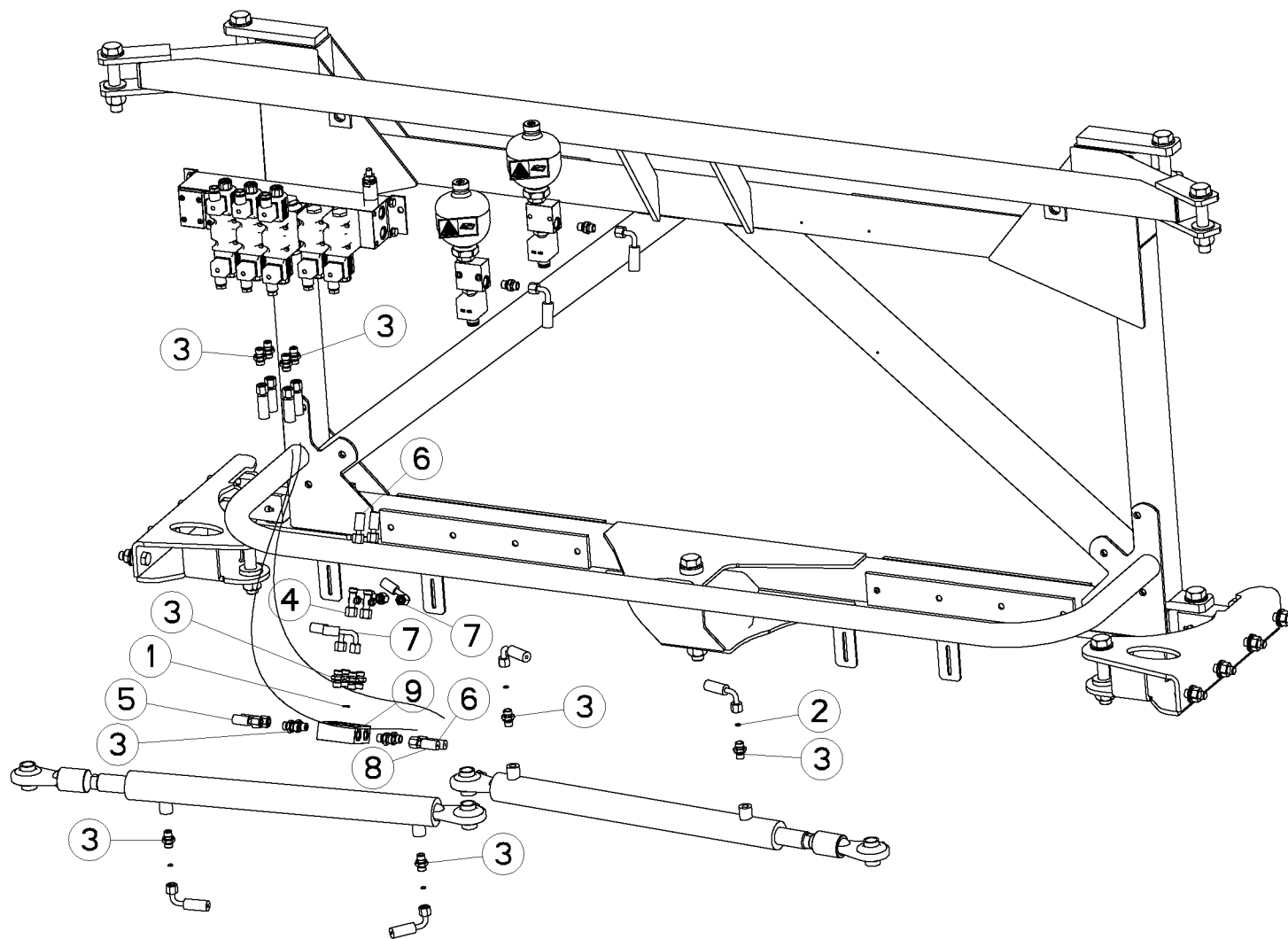
HYDRAULIQUE RHA3 24/36-34-36

HYDRAULIC RHA3 24/36-34-36

HYDRAULIK RHA3 24/36-34-36

IDRAULICO RHA3 24/36-34-36

Rep	Nr	Qt	Designation	Description	Bezeichnung	Referenza	Remarque - Remark - Bemerkung - Osservazioni
001	80080551	016	VIS TETE CYL.SIX P.CRE.INOX	SCREW, SOCKET HEAD	ZYLINDERSCHR.INNENSECHSK.	VITE A TESTA CILINDRICA	
002	80080646	001	VIS TETE CYL.SIX P.CRE.INOX	HEX.SOCKET HEAD CAP SCREW INOX	ZYLINDERSCHR.INNENSECHSK.INOX	VITE A TESTA CILINDRICA INOX	
003	80080694	004	VIS TETE CYL.SIX P.CRE.INOX				
004	80080821	008	VIS TETE CYL.SIX P.CRE.INOX	HEX.SOCKET HEAD CAP SCREW INOX	ZYLINDERSCHR.INNENSECHSK.INOX	VITE A TESTA CILINDRICA INOX	
005	80200541	016	ECROU HEX.BAS AUTOFR.INOX	SELF-LOCKING NUT INOX	SELBSTSICHERNDE MUTTER INOX	DADO AUTOBLOCCANTE INOX	
006	80200631	002	ECROU HEX.BAS AUTOFR.INOX	SELF-LOCKING NUT INOX	SELBSTSICHERNDE MUTTER INOX	DADO AUTOBLOCCANTE INOX	
007	80250500	016	RONDELLE PLATE INOX A2	PLAIN WASHER INOX A2	SCHEIBE INOX A2	RONDELLA PIATTALA INOX A2	
008	80250601	011	RONDELLE PLATE INOX A2	PLAIN WASHER INOX A2	SCHEIBE INOX A2	RONDELLA PIATTALA INOX A2	
009	80250800	008	RONDELLE PLATE INOX A2	PLAIN WASHER INOX A2	SCHEIBE INOX A2	RONDELLA PIATTALA INOX A2	
010	80270683	001	RONDELLE GROWER INOX A2	WASHER, SPRING LOCK INOX A2	FEDERRING INOX A2	RONDELLA GROWER INOX A2	
011	80270883	008	RONDELLE GROWER INOX A2	WASHER, SPRING LOCK INOX A2	FEDERRING INOX A2	RONDELLA GROWER INOX A2	
012	A4060672	002	ADAPTATEUR F3/8 M1/4 FE/ZNNI	FITTING, HYDRAULIC, ADAPTER	ANBAUELEMENT	ADATTATORE	
013	A4071309	002	BLOC HYDRAULIQUE	MANIFOLD, HYDRAULIC	HYDRAULIK-STEUERBLOCK	BLOCCO IDRAULICO	
014	A4072042	002	LIMITEUR DE DEBIT	FLOW LIMITER	MENGENREGLER	LIMITATORE DI FLUSSO	
015	A4073042	002	BLOC HYDRAULIQUE	MANIFOLD, HYDRAULIC	HYDRAULIK-STEUERBLOCK	BLOCCO IDRAULICO	
016	A4080487	022	UNION MALE FE/ZNNI	FITTING, HYDRAULIC, UNION	VERBINDUNG	CONNETTORE	
017	A4080488	018	UNION MALE FE/ZNNI	FITTING, HYDRAULIC, UNION	VERBINDUNG	CONNETTORE	
018	A4082713	010	COUDE TOURNANT	AJUSTABLE MALE STUD ELBOW	EINSTELLBARE WINKEL STUTZEN	GIUNZIONE A 90°ORIENTABILE ZBC	
019	A4083114	006	TE ADAPTABLE RENVERSE FE/ZNNI	FITTING, HYDRAULIC, TEE	T-STUCK	RACCORDO A T	
020	A4083209	003	TE TOURNANT NU FE/ZNNI	ADJUSTABLE EQUAL TEE FE/ZNNI	EINSTELLB.T VERSCHRAU.FE/ZNNI	RACCORDO ORIENT.A T FE/ZNNI	
021	A4920134	004	FLEXIBLE	HOSE, HYDRAULIC	HYDRAULIKSCHLAUCH	TUBO IN GOMMA	<->550 mm
022	A4920139	008	FLEXIBLE	HOSE, HYDRAULIC	HYDRAULIKSCHLAUCH	TUBO IN GOMMA	<->900 mm
023	A4920140	001	FLEXIBLE	HOSE, HYDRAULIC	HYDRAULIKSCHLAUCH	TUBO IN GOMMA	<->1050 mm
024	A4920171	004	FLEXIBLE	HOSE, HYDRAULIC	HYDRAULIKSCHLAUCH	TUBO IN GOMMA	<->7050 mm
025	A4920188	005	FLEXIBLE	HOSE, HYDRAULIC	HYDRAULIKSCHLAUCH	TUBO IN GOMMA	<->3250 mm
026	A4920189	002	FLEXIBLE	HOSE, HYDRAULIC	HYDRAULIKSCHLAUCH	TUBO IN GOMMA	<->550 mm
027	G0465400	002	CLAPET	VALVE, FLAP	RUECKSCHLAGVENTIL	VALVOLA	
028	G0861517	002	ENTRETOISE	SPACER	DISTANZHUELSE	DISTANZIALE	
029	G3100100	002	SUPPORT	SUPPORT	TRAEGER	SUPPORTO	
030	G4000230	001	BLOC	BLOCK	BLOCK	BLOCCO	
031	G9000800	002	ELECTROVANNE	VALVE, SOLENOID	ELEKTROSCHIEBER	ELETTROVALVOLA	





METRIS

G40R0331 B

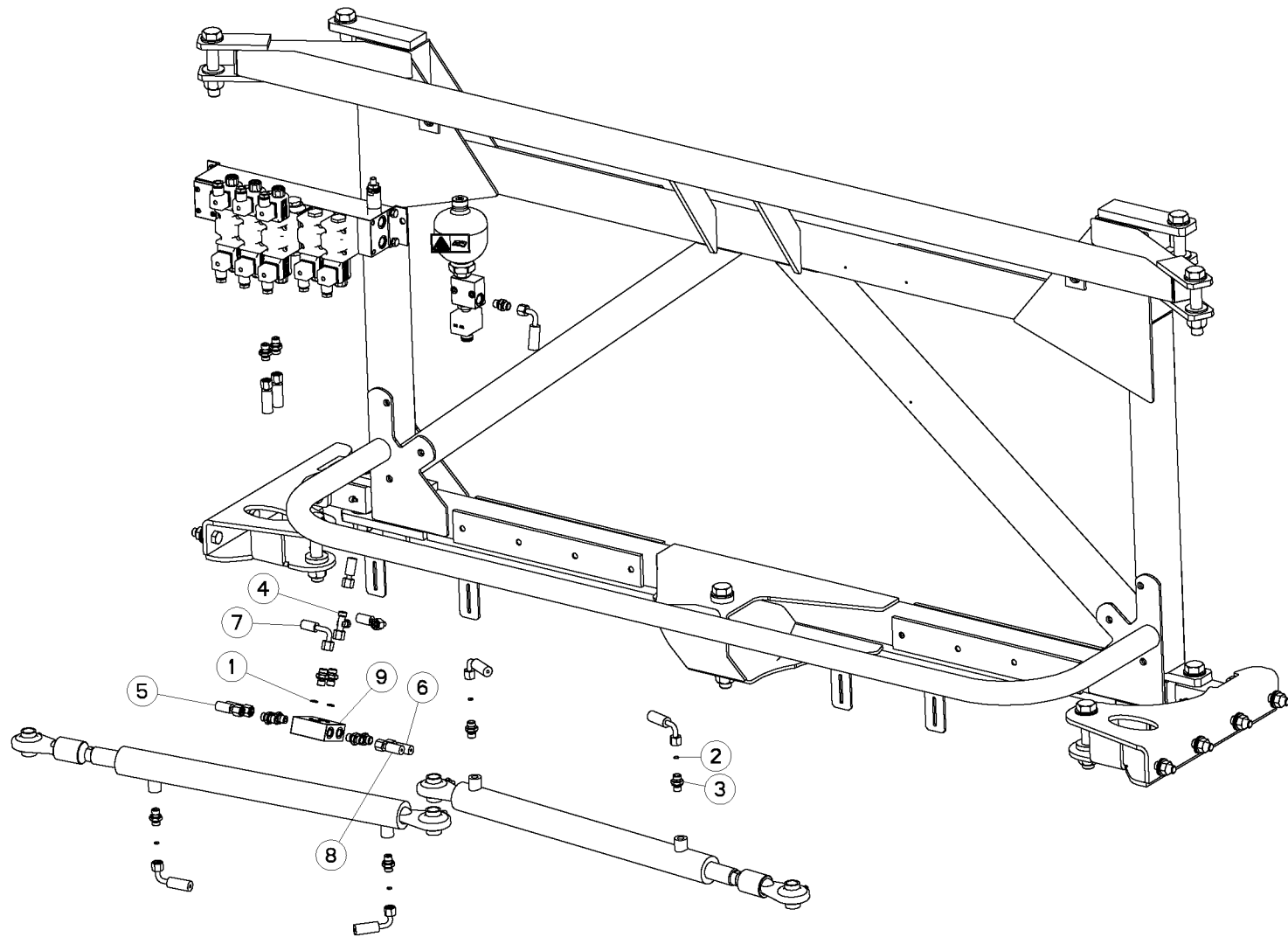
HYDRAULIQUE DECOU RHPA TR4 RBA

HYDRAULIC DECOU RHPA TR4 RBA

HYDRAULIK DECOU RHPA TR4 RBA

IDRAULICO DECOU RHPA TR4 RBA

Rep	Nr	Qt	Designation	Description	Bezeichnung	Referenza	Remarque - Remark - Bemerkung - Osservazioni
001	80250601	003	RONDELLE PLATE INOX A2	PLAIN WASHER INOX A2	SCHEIBE INOX A2	RONDELLA PIATTALA INOX A2	
002	A4072043	004	LIMITEUR DE DEBIT	FLOW LIMITER	MENGENREGLER	LIMITATORE DI FLUSSO	
003	A4080487	016	UNION MALE FE/ZNNI	FITTING, HYDRAULIC, UNION	VERBINDUNG	CONNETTORE	
004	A4083114	002	TE ADAPTABLE RENVERSE FE/ZNNI	FITTING, HYDRAULIC, TEE	T-STUCK	RACCORDO A T	
005	A4920134	001	FLEXIBLE	HOSE, HYDRAULIC	HYDRAULIKSCHLAUCH	TUBO IN GOMMA	<->550 mm
006	A4920135	004	FLEXIBLE	HOSE, HYDRAULIC	HYDRAULIKSCHLAUCH	TUBO IN GOMMA	<->600 mm
007	A4920139	004	FLEXIBLE	HOSE, HYDRAULIC	HYDRAULIKSCHLAUCH	TUBO IN GOMMA	<->850 mm
008	A4920188	001	FLEXIBLE	HOSE, HYDRAULIC	HYDRAULIKSCHLAUCH	TUBO IN GOMMA	<->250 mm
009	G4000230	001	BLOC	BLOCK	BLOCK	BLOCCO	





METRIS

G40R0332 B

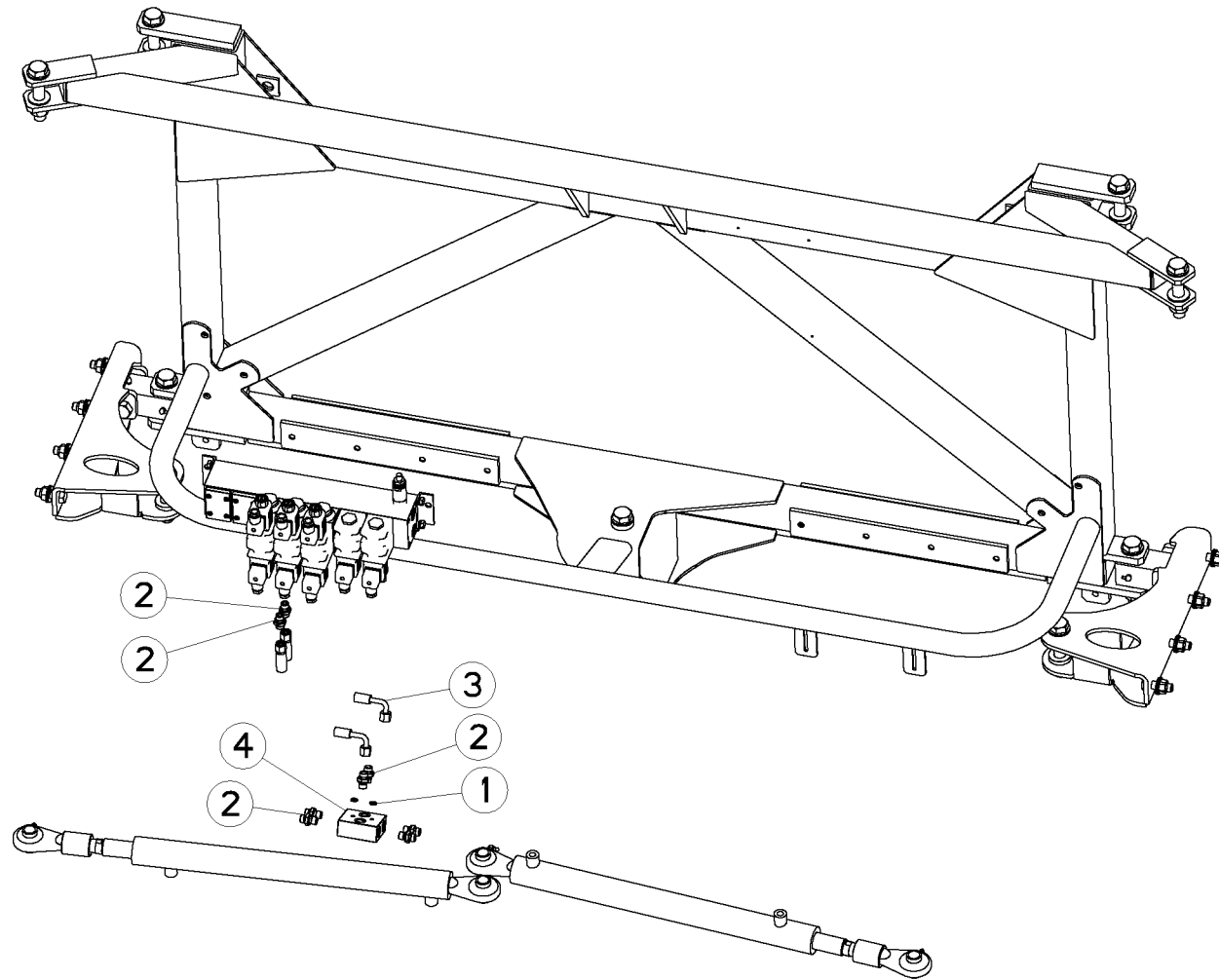
HYDRAULIQUE RHPA TR4 RBA CADRE

HYDRAULIC RHPA TR4 RBA MAIN FR

HYDRAULIK RHPA TR4 RBA HAUPTRA

IDRAULICO RHPA TR4 RBA TELAIO

Rep	Nr	Qt	Designation	Description	Bezeichnung	Referenza	Remarque - Remark - Bemerkung - Osservazioni
001	80250601	004	RONDELLE PLATE INOX A2	PLAIN WASHER INOX A2	SCHEIBE INOX A2	RONDELLA PIATTALA INOX A2	
002	A4072043	004	LIMITEUR DE DEBIT	FLOW LIMITER	MENGENREGLER	LIMITATORE DI FLUSSO	
003	A4080487	012	UNION MALE FE/ZNNI	FITTING, HYDRAULIC, UNION	VERBINDUNG	CONNETTORE	
004	A4083114	001	TE ADAPTABLE RENVERSE FE/ZNNI	FITTING, HYDRAULIC, TEE	T-STUCK	RACCORDO A T	
005	A4920134	002	FLEXIBLE	HOSE, HYDRAULIC	HYDRAULIKSCHLAUCH	TUBO IN GOMMA	<->550 mm
006	A4920135	003	FLEXIBLE	HOSE, HYDRAULIC	HYDRAULIKSCHLAUCH	TUBO IN GOMMA	<->600 mm
007	A4920139	002	FLEXIBLE	HOSE, HYDRAULIC	HYDRAULIKSCHLAUCH	TUBO IN GOMMA	<->850 mm
008	A4920188	002	FLEXIBLE	HOSE, HYDRAULIC	HYDRAULIKSCHLAUCH	TUBO IN GOMMA	<->250 mm
009	G4000220	001	BLOC	BLOCK	BLOCK	BLOCCO	



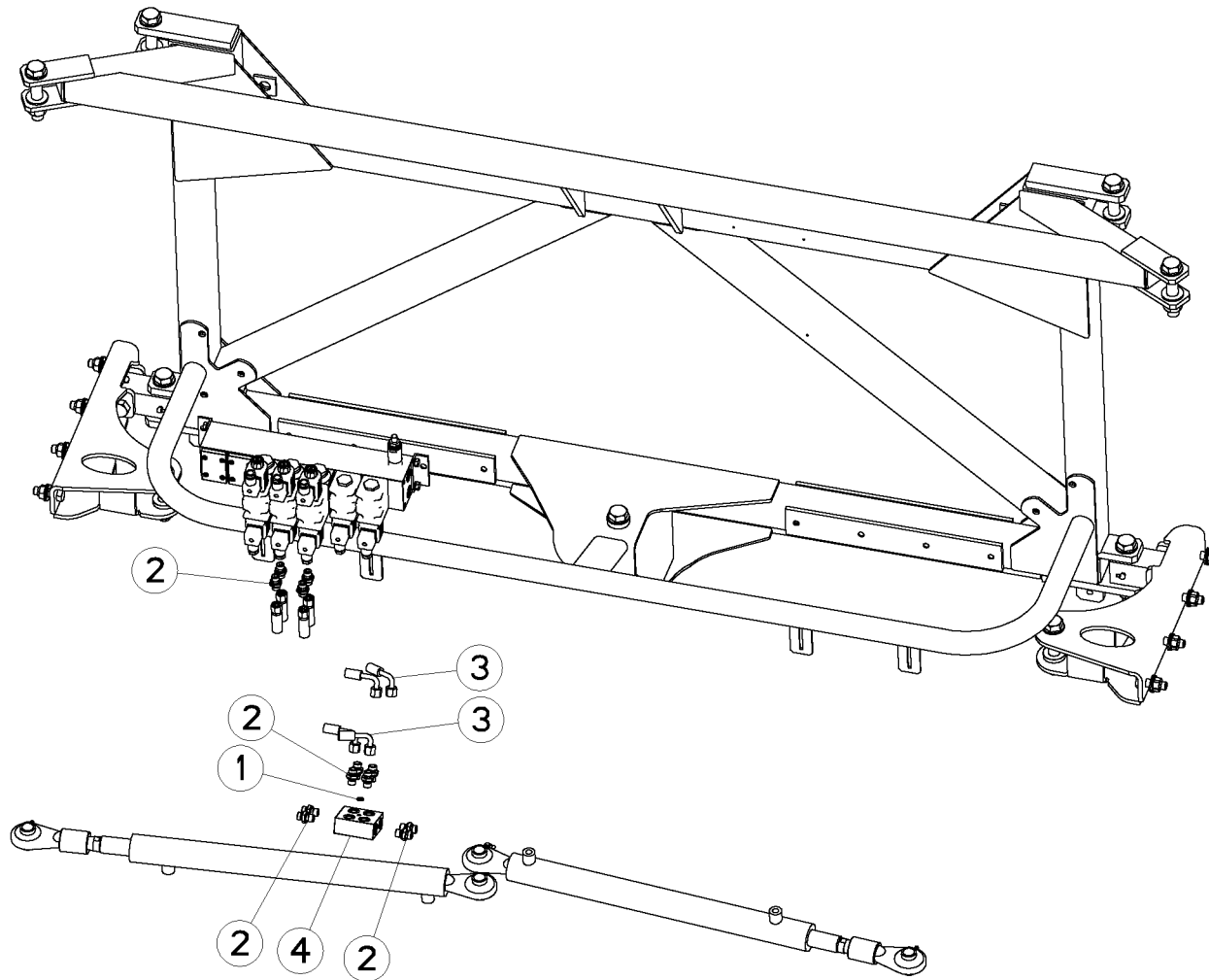


METRIS

G40R0374 A

COUPLEURS HYDRAULIQUES EXTERIE HYDRAULIC COUPLERS OUTER HYDRAULIKANSCHLUESSE AUSSEN CONNETTORI IDRAULICI ESTERNO

Rep	Nr	Qt	Designation	Description	Bezeichnung	Referenza	Remarque - Remark - Bemerkung - Osservazioni
001	80250601	002	RONDELLE PLATE INOX A2	PLAIN WASHER INOX A2	SCHEIBE INOX A2	RONDELLA PIATTALA INOX A2	
002	A4080487	008	UNION MALE FE/ZNNI	FITTING, HYDRAULIC, UNION	VERBINDUNG	CONNETTORE	
003	A4920139	002	FLEXIBLE	HOSE, HYDRAULIC	HYDRAULIKSCHLAUCH	TUBO IN GOMMA	<->850 mm
004	G4000220	001	BLOC	BLOCK	BLOCK	BLOCCO	





METRIS

G40R0375 A

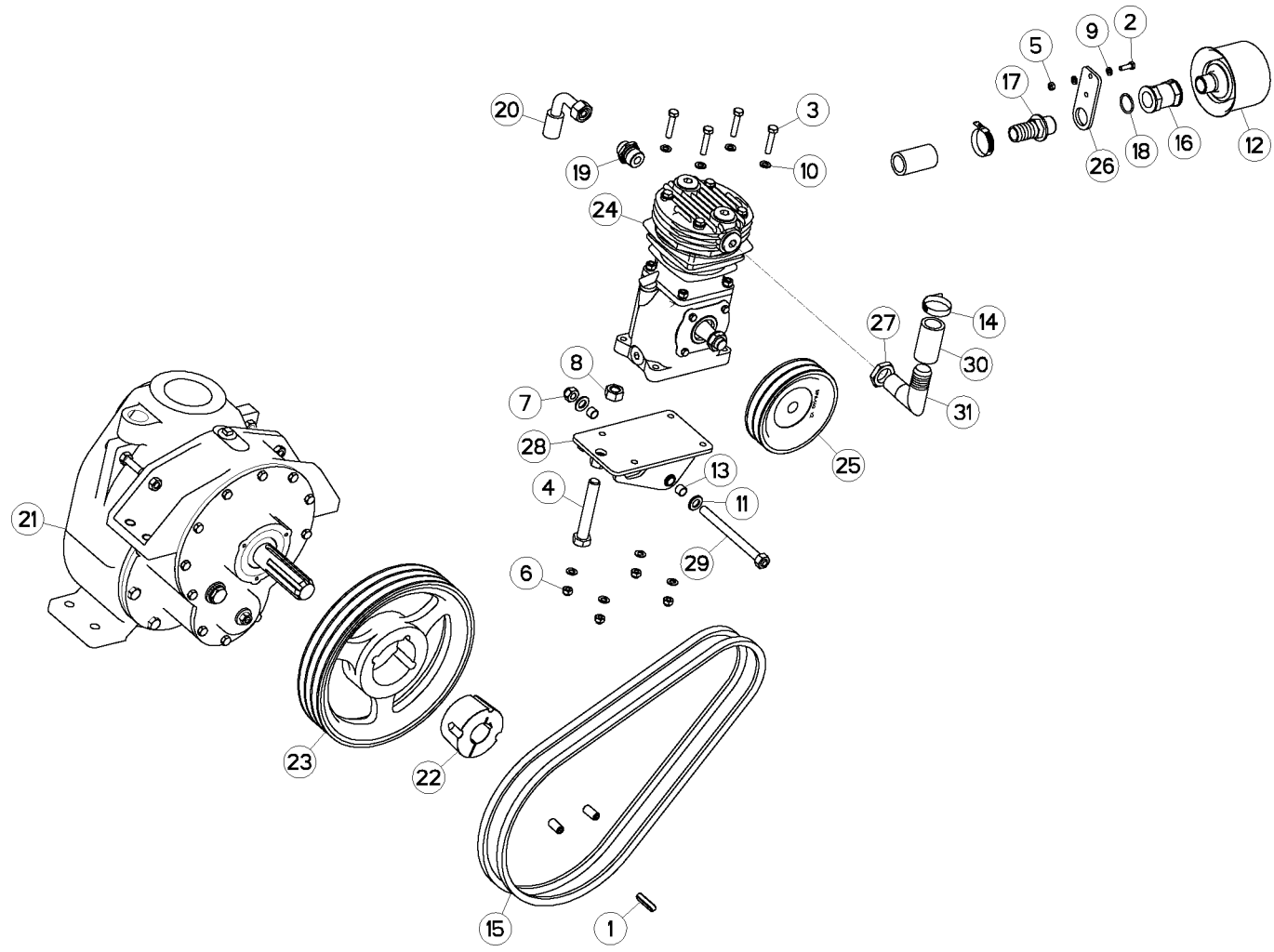
HYDRAULIQUE EXTERIEUR

HYDRAULIC OUTER

HYDRAULIK AUSSEN

IDRAULICO ESTERNO

Rep	Nr	Qt	Designation	Description	Bezeichnung	Referenza	Remarque - Remark - Bemerkung - Osservazioni
001	80250601	001	RONDELLE PLATE INOX A2	PLAIN WASHER INOX A2	SCHEIBE INOX A2	RONDELLA PIATTALA INOX A2	
002	A4080487	012	UNION MALE FE/ZNNI	FITTING, HYDRAULIC, UNION	VERBINDUNG	CONNETTORE	
003	A4920139	004	FLEXIBLE	HOSE, HYDRAULIC	HYDRAULIKSCHLAUCH	TUBO IN GOMMA	<->850 mm
004	G4000230	001	BLOC	BLOCK	BLOCK	BLOCCO	





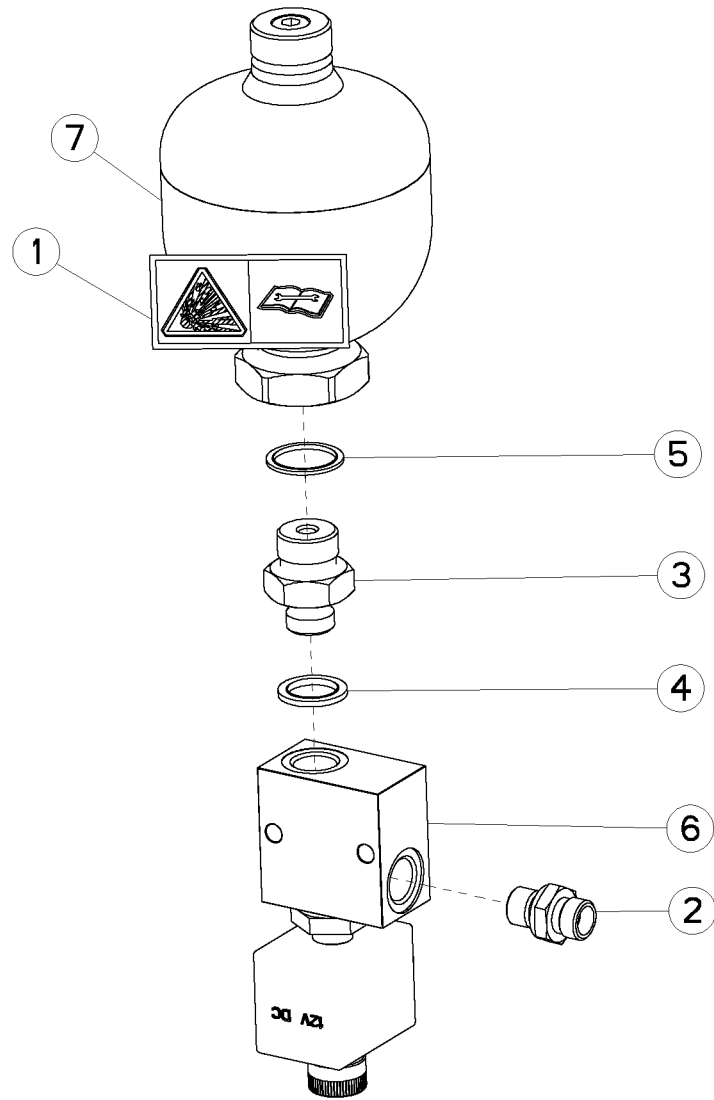
COMPRESSEUR PC OC 77

COMPRESSOR PUMP PC OC 77

KOMPRESSOR PC OC 77

COMPRESSORE PC OC 77

Rep	Nr	Qt	Designation	Description	Bezeichnung	Referenza	Remarque - Remark - Bemerkung - Osservazioni
001	58551300	001	CLAVETTE A	PARALLEL KEY A	PASSFEDER A	CHIAVETTA	
002	80060622	001	VIS TETE HEXAGONALE INOX	HEXAGON HEAD SCREW INOX	SECHSKANTSCHRAUBE INOX	VITE A TESTA ESAGONALE INOX	
003	80060842	004	VIS TETE HEXAGONALE INOX	HEXAGON HEAD SCREW INOX	SECHSKANTSCHRAUBE INOX	VITE A TESTA ESAGONALE INOX	
004	80061623	001	VIS TETE HEXAGONALE INOX	HEXAGON HEAD SCREW INOX	SECHSKANTSCHRAUBE INOX	VITE A TESTA ESAGONALE INOX	
005	80200631	001	ECROU HEX.BAS AUTOFR.INOX	SELF-LOCKING NUT INOX	SELBSTSICHERNDE MUTTER INOX	DADO AUTOBLOCCANTE INOX	
006	80200831	004	ECROU HEXAG.AUTOFREINE INOX	SELF-LOCKING NUT INOX	SELBSTSICHERNDE MUTTER INOX	DADO AUTOBLOCCANTE INOX	
007	80201231	001	ECROU HEXAG.AUTOFREINE INOX	SELF-LOCKING NUT INOX	SELBSTSICHERNDE MUTTER INOX	DADO AUTOBLOCCANTE INOX	
008	80201671	001	ECROU HEXAGONAL INOX	HEXAGON NUT INOX	SECHSKANTMUTTER INOX	DADO INOX	
009	80250601	002	RONDELLE PLATE INOX A2	PLAIN WASHER INOX A2	SCHEIBE INOX A2	RONDELLA PIATTALA INOX A2	
010	80250800	008	RONDELLE PLATE INOX A2	PLAIN WASHER INOX A2	SCHEIBE INOX A2	RONDELLA PIATTALA INOX A2	
011	80251200	002	RONDELLE PLATE INOX A2	PLAIN WASHER INOX A2	SCHEIBE INOX A2	RONDELLA PIATTALA INOX A2	
012	82340008	001	FILTRE POUR COMPRESSEUR				
013	83021210	002	BAGUE PLASTIQUE	NYLON BEARING	KUNSTSTOFF-GLEITLAGER	ANELLO PLASTICA	
014	83090180	002	COLLIER	CLAMP, HOSE	SCHLAUCHSCHELLE	COLLARE	
015	83101202	002	COURROIE TRAPEZOIDALE	BELT, V	KEILRIEMEN	CINGHIE TRAPEZOIDALI	
016	83654051	001	MANCHON	SLEEVE	MUFFE	MANICOTTO	
017	83655077	001	RACCORD	FITTING	VERBINDUNG	RACCORDO	
018	83673075	001	JOINT TORIQUE	O-RING	O-RING	GUARNIZIONE	
019	A4082422	001	UNION MALE FE/ZNNI	FITTING, HYDRAULIC, UNION	VERBINDUNG	CONNETTORE	
020	A4923169	001	FLEXIBLE	HOSE, HYDRAULIC	HYDRAULIKSCHLAUCH	TUBO IN GOMMA	<->5100 mm
021	G0237900	001	POMPE	PUMP	PUMPE	POMPA	
022	G0439610	001	MOYEU COMPLET	HUB, ASSEMBLY	NABE KPL.	MOZZO	
023	G0440000	001	POULIE	PULLEY	RIEMENSCHIEBE	PULEGGIA	
024	G0469900	001	COMPRESSEUR	COMPRESSOR	KROMPRESSOR	COMPRESSORE	
025	G0692051	001	POULIE	PULLEY	RIEMENSCHIEBE	PULEGGIA	
026	G0692619	001	SUPPORT	SUPPORT	TRAEGER	SUPPORTO	
027	G0693062	001	ECROU	NUT	MUTTER	DADO	
028	G0860920	001	SUPPORT	SUPPORT	TRAEGER	SUPPORTO	
029	G0860945	001	GOUJON	STUD, THREADED	GEWINDESTIFT	SPINA	
030	G9100140	002	TUYAU	PIPE	ROHR	TUBO	
031	G9900280	001	RACCORD	FITTING	VERBINDUNG	RACCORDO	





METRIS

G40R0333 B

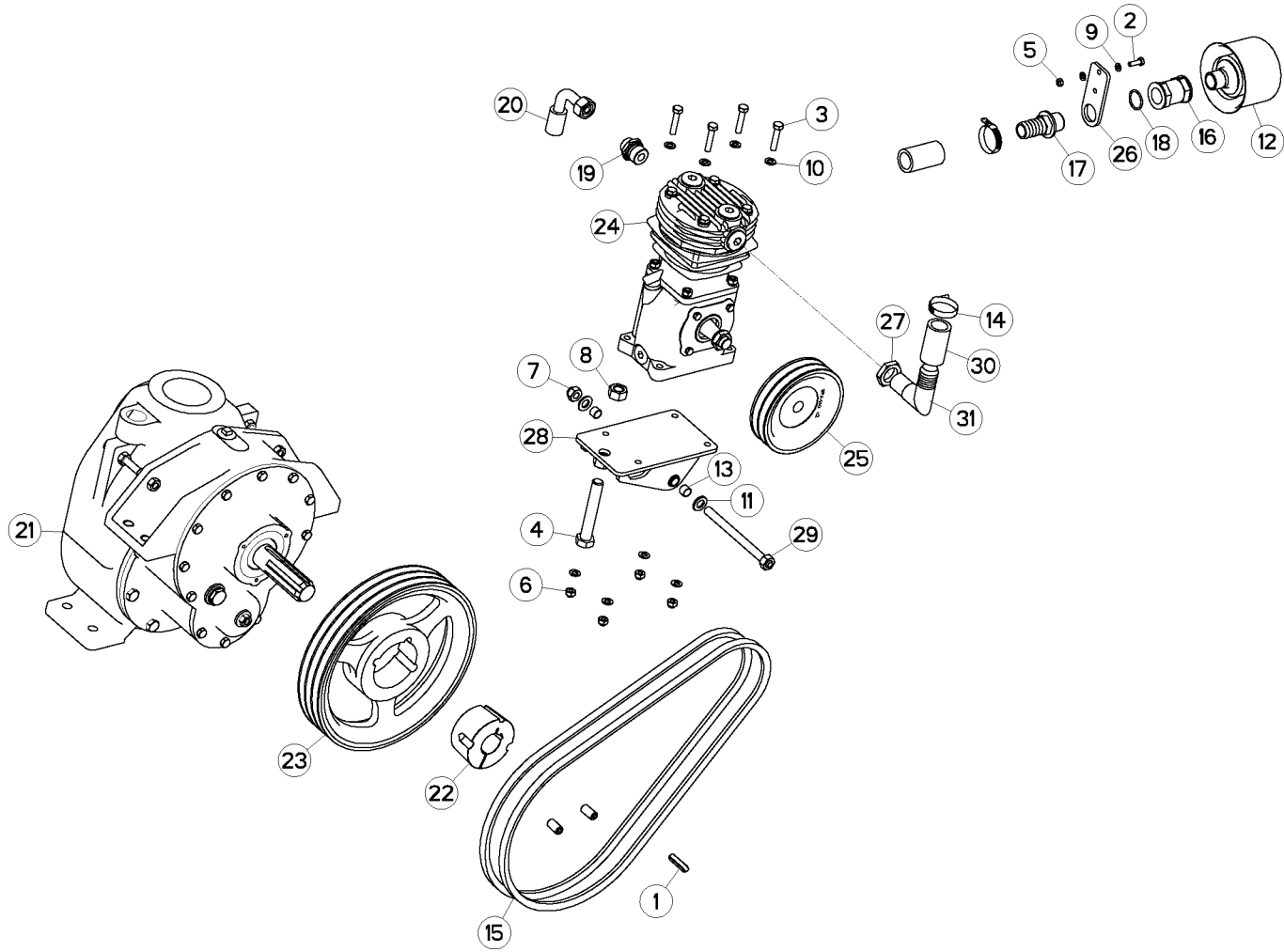
CLAPET ANTI-FOUETTEMENT

ANTI-WHIPLASH VALVE

VENTIL ANTI-SCHWING-SYSTEM

VALVOLA ANTI-SFERZATA

Rep	Nr	Qt	Designation	Description	Bezeichnung	Referenza	Remarque - Remark - Bemerkung - Osservazioni
001	59901300	001	PICTOGR.H DANGER ACCUMULAT	PICTORIAL H DANGER ACCUMULATOR	PIKTOGR.H GEFAHR HYDROSPEICHER	ADESIVO	
002	A4080487	001	UNION MALE FE/ZNNI	FITTING, HYDRAULIC, UNION	VERBINDUNG	CONNETTORE	
003	A4090408	001	UNION	FITTING, HYDRAULIC, UNION	VERBINDUNG	CONNETTORE	
004	A4230017	001	BAGUE BS17	BUSH BS	BUCHSE BS	GUARNIZIONE	
005	A4230021	001	BAGUE BS21	BUSH BS	BUCHSE BS	BOCCOLA	
006	G0252998	001	ELECTRO	SOLENOID VALVE BLOCK ASSEMBLY	SOLENOID VENTIL	ELETTROVALVOLA	
007	G9000820	001	ACCUMULATEUR HYDRO-PNEUMATIQUE	ACCUMULATOR	DRUCKSPEICHER	ACCUMULATORE	





METRIS

G40R0396 A

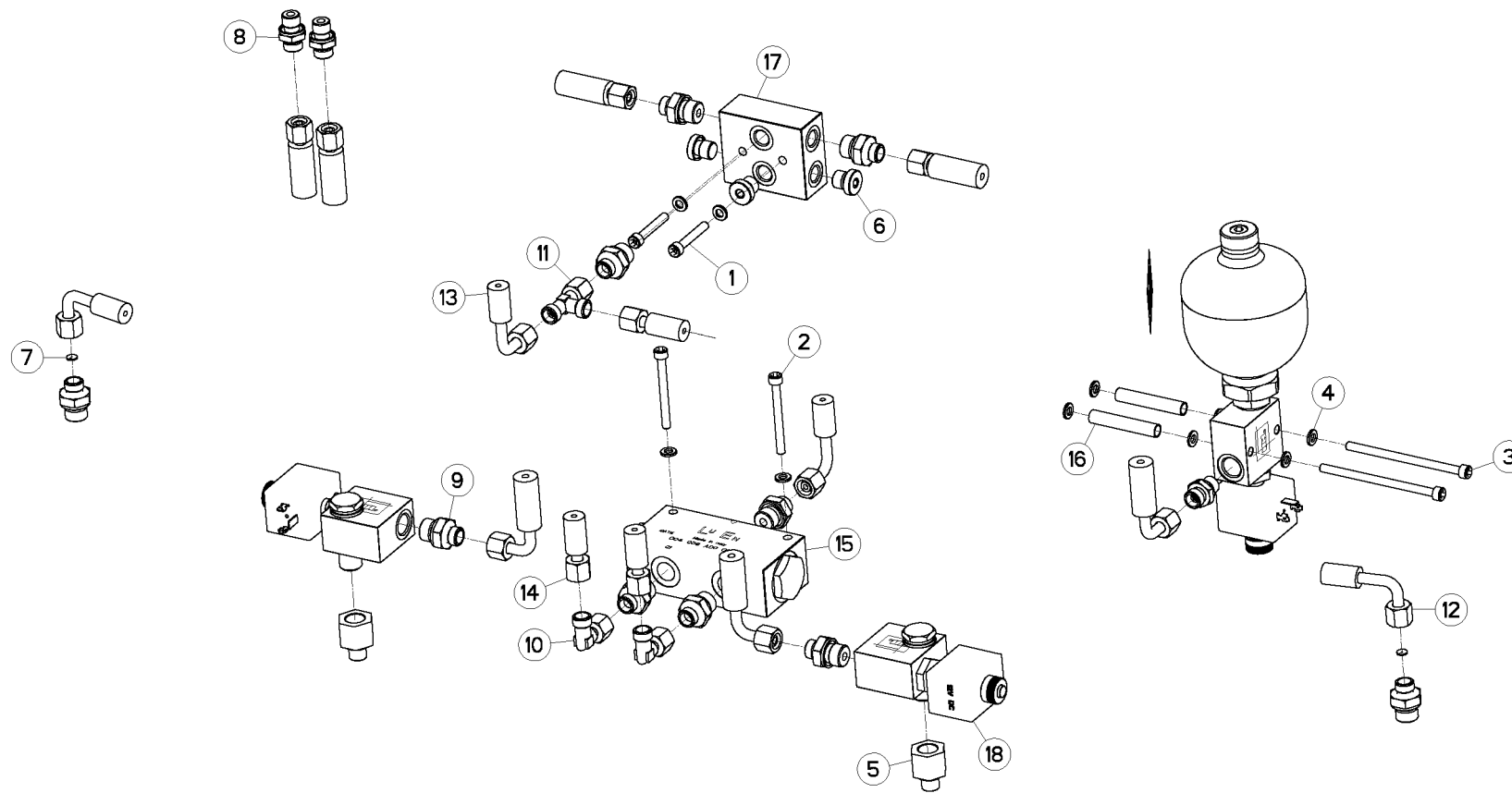
COMPRESSEUR PC OC 45/56

COMPRESSOR PUMP PC OC 45/56

KOMPRESSOR PC OC 45/56

COMPRESSORE PC OC 45/56

Rep	Nr	Qt	Designation	Description	Bezeichnung	Referenza	Remarque - Remark - Bemerkung - Osservazioni
001	58551300	001	CLAVETTE A	PARALLEL KEY A	PASSFEDER A	CHIAVETTA	
002	80060622	001	VIS TETE HEXAGONALE INOX	HEXAGON HEAD SCREW INOX	SECHSKANTSCHRAUBE INOX	VITE A TESTA ESAGONALE INOX	
003	80060842	004	VIS TETE HEXAGONALE INOX	HEXAGON HEAD SCREW INOX	SECHSKANTSCHRAUBE INOX	VITE A TESTA ESAGONALE INOX	
004	80061623	001	VIS TETE HEXAGONALE INOX	HEXAGON HEAD SCREW INOX	SECHSKANTSCHRAUBE INOX	VITE A TESTA ESAGONALE INOX	
005	80200631	001	ECROU HEX.BAS AUTOFR.INOX	SELF-LOCKING NUT INOX	SELBSTSICHERNDE MUTTER INOX	DADO AUTOBLOCCANTE INOX	
006	80200831	004	ECROU HEXAG.AUTOFREINE INOX	SELF-LOCKING NUT INOX	SELBSTSICHERNDE MUTTER INOX	DADO AUTOBLOCCANTE INOX	
007	80201231	001	ECROU HEXAG.AUTOFREINE INOX	SELF-LOCKING NUT INOX	SELBSTSICHERNDE MUTTER INOX	DADO AUTOBLOCCANTE INOX	
008	80201671	001	ECROU HEXAGONAL INOX	HEXAGON NUT INOX	SECHSKANTMUTTER INOX	DADO INOX	
009	80250601	002	RONDELLE PLATE INOX A2	PLAIN WASHER INOX A2	SCHEIBE INOX A2	RONDELLA PIATTALA INOX A2	
010	80250800	008	RONDELLE PLATE INOX A2	PLAIN WASHER INOX A2	SCHEIBE INOX A2	RONDELLA PIATTALA INOX A2	
011	80251200	002	RONDELLE PLATE INOX A2	PLAIN WASHER INOX A2	SCHEIBE INOX A2	RONDELLA PIATTALA INOX A2	
012	82340008	001	FILTRE POUR COMPRESSEUR				
013	83021210	002	BAGUE PLASTIQUE	NYLON BEARING	KUNSTSTOFF-GLEITLAGER	ANELLO PLASTICA	
014	83090180	002	COLLIER	CLAMP, HOSE	SCHLAUCHSCHELLE	COLLARE	
015	83101202	002	COURROIE TRAPEZOIDALE	BELT, V	KEILRIEMEN	CINGHIE TRAPEZOIDALI	
016	83654051	001	MANCHON	SLEEVE	MUFFE	MANICOTTO	
017	83655077	001	RACCORD	FITTING	VERBINDUNG	RACCORDO	
018	83673075	001	JOINT TORIQUE	O-RING	O-RING	GUARNIZIONE	
019	A4082422	001	UNION MALE FE/ZNNI	FITTING, HYDRAULIC, UNION	VERBINDUNG	CONNETTORE	
020	A4923171	001	FLEXIBLE	HOSE, HYDRAULIC	HYDRAULIKSCHLAUCH	TUBO IN GOMMA	<->4200 mm
021	G0237900	001	POMPE	PUMP	PUMPE	POMPA	
022	G0439610	001	MOYEU COMPLET	HUB, ASSEMBLY	NABE KPL.	MOZZO	
023	G0440000	001	POULIE	PULLEY	RIEMENSCHIEBE	PULEGGIA	
024	G0469900	001	COMPRESSEUR	COMPRESSOR	KROMPRESSOR	COMPRESSORE	
025	G0692051	001	POULIE	PULLEY	RIEMENSCHIEBE	PULEGGIA	
026	G0692619	001	SUPPORT	SUPPORT	TRAEGER	SUPPORTO	
027	G0693062	001	ECROU	NUT	MUTTER	DADO	
028	G0860920	001	SUPPORT	SUPPORT	TRAEGER	SUPPORTO	
029	G0860945	001	GOUJON	STUD, THREADED	GEWINDESTIFT	SPINA	
030	G9100140	002	TUYAU	PIPE	ROHR	TUBO	
031	G9900280	001	RACCORD	FITTING	VERBINDUNG	RACCORDO	





METRIS

G40R0391 A

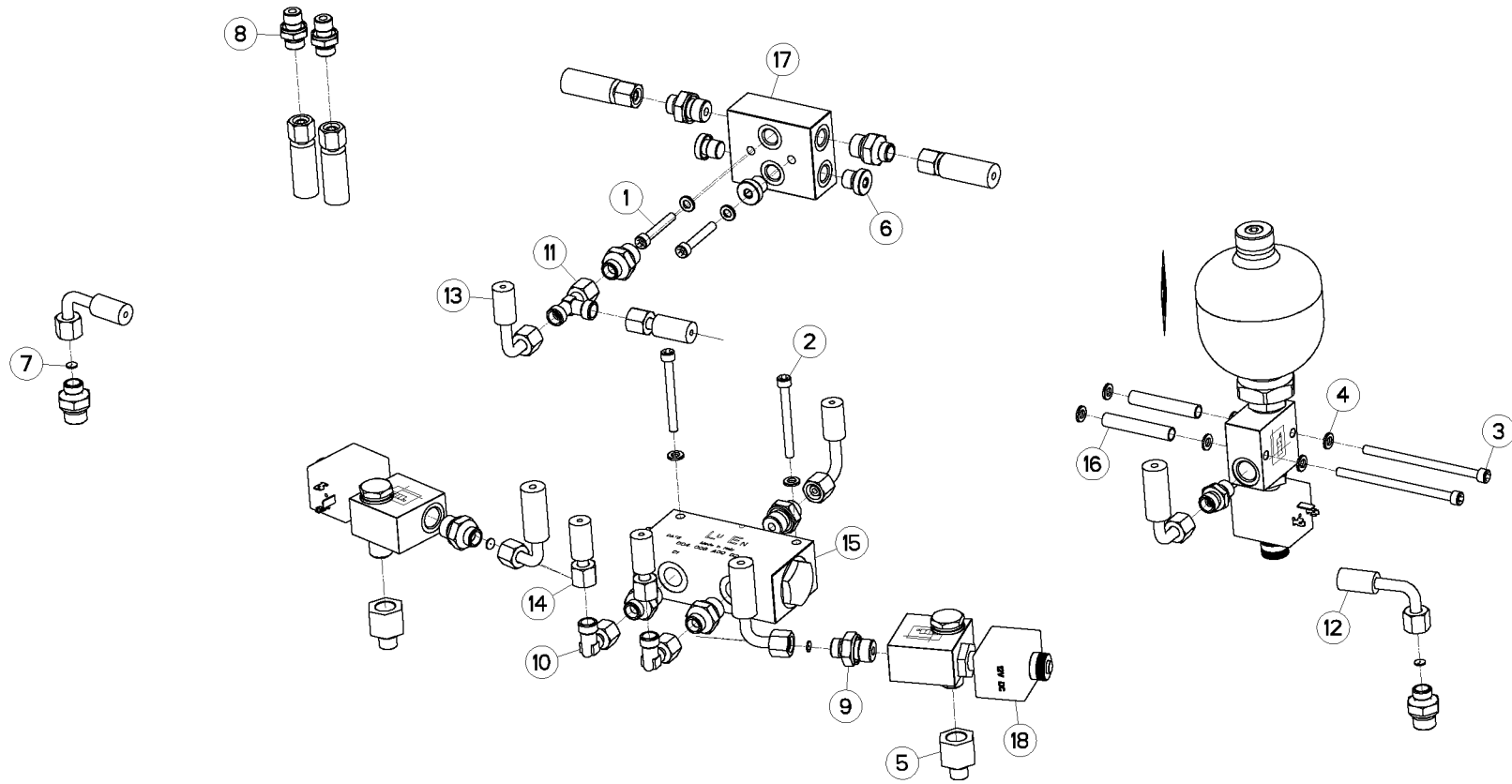
HYDRAULIQUE RHA3 14/26/36

HYDRAULIC RHA3 14/26/36

HYDRAULIK RHA3 14/26/36

IDRAULICO RHA3 14/26/36

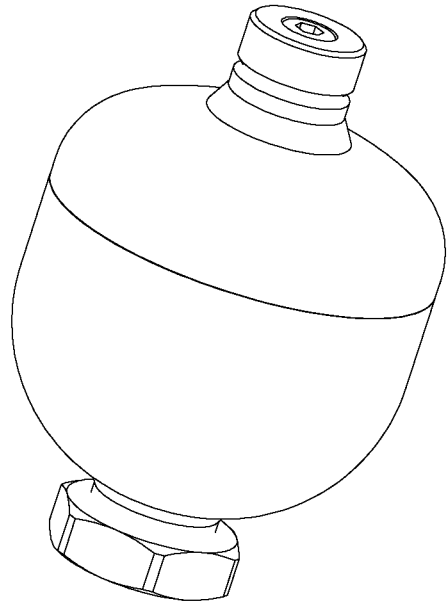
Rep	Nr	Qt	Designation	Description	Bezeichnung	Referenza	Remarque - Remark - Bemerkung - Osservazioni
001	80080641	002	VIS TETE CYL.SIX P.CRE.INOX				
002	80080661	002	VIS TETE CYL.SIX P.CRE.INOX	HEX.SOCKET HEAD CAP SCREW INOX	ZYLINDERSCHR.INNENSECHSK.INOX	VITE A TESTA CILINDRICA INOX	
003	80080694	002	VIS TETE CYL.SIX P.CRE.INOX				
004	80250601	010	RONDELLE PLATE INOX A2	PLAIN WASHER INOX A2	SCHEIBE INOX A2	RONDELLA PIATTALA INOX A2	
005	A4060672	002	ADAPTATEUR F3/8 M1/4 FE/ZNNI	FITTING, HYDRAULIC, ADAPTER	ANBAUELEMENT	ADATTATORE	
006	A4061832	003	BOUCHON	PLUG	VERSCHLUSSSCHRAUBE	TAPPO	
007	A4072043	002	LIMITEUR DE DEBIT	FLOW LIMITER	MENGENREGLER	LIMITATORE DI FLUSSO	
008	A4080487	002	UNION MALE FE/ZNNI	FITTING, HYDRAULIC, UNION	VERBINDUNG	CONNETTORE	
009	A4080488	010	UNION MALE FE/ZNNI	FITTING, HYDRAULIC, UNION	VERBINDUNG	CONNETTORE	
010	A4082713	002	COUDE TOURNANT	AJUSTABLE MALE STUD ELBOW	EINSTELLBARE WINKEL STUTZEN	GIUNZIONE A 90°ORIENTABILE ZBC	
011	A4083114	001	TE ADAPTABLE RENVERSE FE/ZNNI	FITTING, HYDRAULIC, TEE	T-STUCK	RACCORDO A T	
012	A4920135	002	FLEXIBLE	HOSE, HYDRAULIC	HYDRAULIKSCHLAUCH	TUBO IN GOMMA	<->600 mm
013	A4920139	002	FLEXIBLE	HOSE, HYDRAULIC	HYDRAULIKSCHLAUCH	TUBO IN GOMMA	<->850 mm
014	A4920188	003	FLEXIBLE	HOSE, HYDRAULIC	HYDRAULIKSCHLAUCH	TUBO IN GOMMA	<->250 mm
015	G0422950	001	DIVISEUR	DIVIDER	VERTEILER	DIVISORE	
016	G0861517	002	ENTRETOISE	SPACER	DISTANZHUELSE	DISTANZIALE	
017	G4000220	001	BLOC	BLOCK	BLOCK	BLOCCO	
018	G9000800	002	ELECTROVANNE	VALVE, SOLENOID	ELEKTROSCHIEBER	ELETTRIVALVOLA	





HYDRAULIQUE RHA CENTRAL COUPLE HYDRAULIC RHA CENTRAL COUPLE HYDRAULIK RHA CENTRAL COUPLE IDRAULICO RHA CENTRAL COUPLE

Rep	Nr	Qt	Designation	Description	Bezeichnung	Referenza	Remarque - Remark - Bemerkung - Osservazioni
001	80080641	002	VIS TETE CYL.SIX P.CRE.INOX				
002	80080661	002	VIS TETE CYL.SIX P.CRE.INOX	HEX.SOCKET HEAD CAP SCREW INOX	ZYLINDERSCHR.INNENSECHSK.INOX	VITE A TESTA CILINDRICA INOX	
003	80080694	002	VIS TETE CYL.SIX P.CRE.INOX				
004	80250601	010	RONDELLE PLATE INOX A2	PLAIN WASHER INOX A2	SCHEIBE INOX A2	RONDELLA PIATTALA INOX A2	
005	A4060672	002	ADAPTATEUR F3/8 M1/4 FE/ZNNI	FITTING, HYDRAULIC, ADAPTER	ANBAUELEMENT	ADATTATORE	
006	A4061832	003	BOUCHON	PLUG	VERSCHLUSSSCHRAUBE	TAPPO	
007	A4072043	004	LIMITEUR DE DEBIT	FLOW LIMITER	MENGENREGLER	LIMITATORE DI FLUSSO	
008	A4080487	002	UNION MALE FE/ZNNI	FITTING, HYDRAULIC, UNION	VERBINDUNG	CONNETTORE	
009	A4080488	010	UNION MALE FE/ZNNI	FITTING, HYDRAULIC, UNION	VERBINDUNG	CONNETTORE	
010	A4082713	002	COUDE TOURNANT	AJUSTABLE MALE STUD ELBOW	EINSTELLBARE WINKEL STUTZEN	GIUNZIONE A 90°ORIENTABILE ZBC	
011	A4083114	001	TE ADAPTABLE RENVERSE FE/ZNNI	FITTING, HYDRAULIC, TEE	T-STUCK	RACCORDO A T	
012	A4920135	002	FLEXIBLE	HOSE, HYDRAULIC	HYDRAULIKSCHLAUCH	TUBO IN GOMMA	<->600 mm
013	A4920139	002	FLEXIBLE	HOSE, HYDRAULIC	HYDRAULIKSCHLAUCH	TUBO IN GOMMA	<->850 mm
014	A4920188	003	FLEXIBLE	HOSE, HYDRAULIC	HYDRAULIKSCHLAUCH	TUBO IN GOMMA	<->250 mm
015	G0422950	001	DIVISEUR	DIVIDER	VERTEILER	DIVISORE	
016	G0861517	002	ENTRETOISE	SPACER	DISTANZHUELSE	DISTANZIALE	
017	G4000220	001	BLOC	BLOCK	BLOCK	BLOCCO	
018	G9000800	002	ELECTROVANNE	VALVE, SOLENOID	ELEKTROSCHIEBER	ELETTRIVALVOLA	



RAMPES (boom) (Gestänge)	LONGUEUR(m) (width) (Länge)	VERIN GV (GV cylinder) bar 0.321	VERIN MONTEE (lift cylinder) bar 0.321	ANTI- FOUETTEMENT (anti-yaw cylinder) bar 0.321
RHPA	21	25	35	120
	24	35	35	120
	28	55	35	120
TR4	24	35	35	120
	28	55	35	120
	30	55	55	120
RBA	24	35	35	120
	28	55	35	120
	30	55	55	120
RHA3	24/30	55	15	110
	24/32	55	55	120
	24/36	55	55	140



METRIS

G90R0078 A

ACCUMULATEUR METRIS

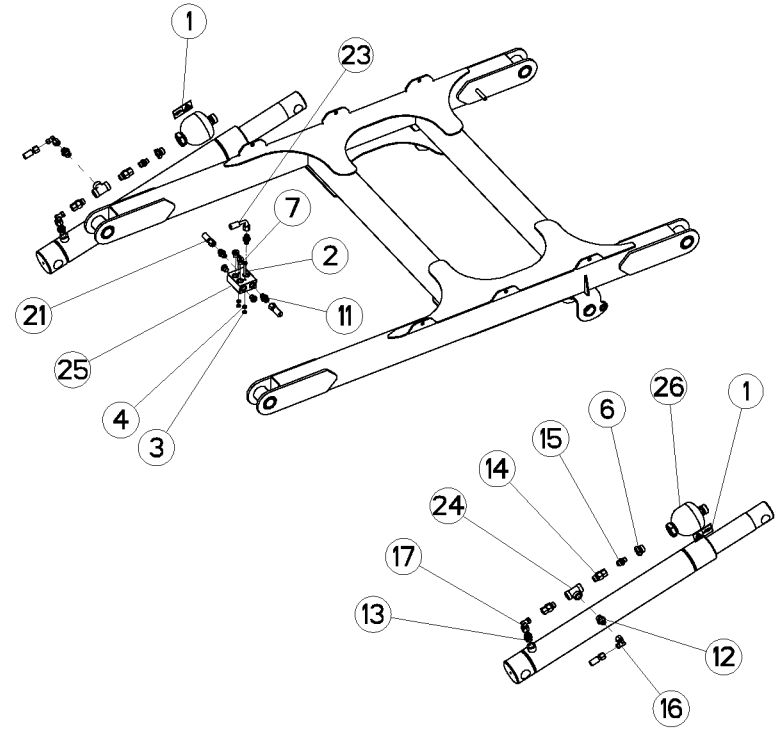
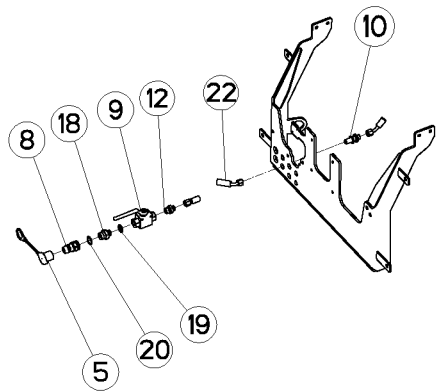
ACCUMULATOR METRIS

DRUCKSPEICHER METRIS

ACCUMULATORE METRIS

Rep	Nr	Qt	Designation	Description	Bezeichnung	Referenza	Remarque - Remark - Bemerkung - Osservazioni
-----	----	----	-------------	-------------	-------------	-----------	--

Accumulator





METRIS

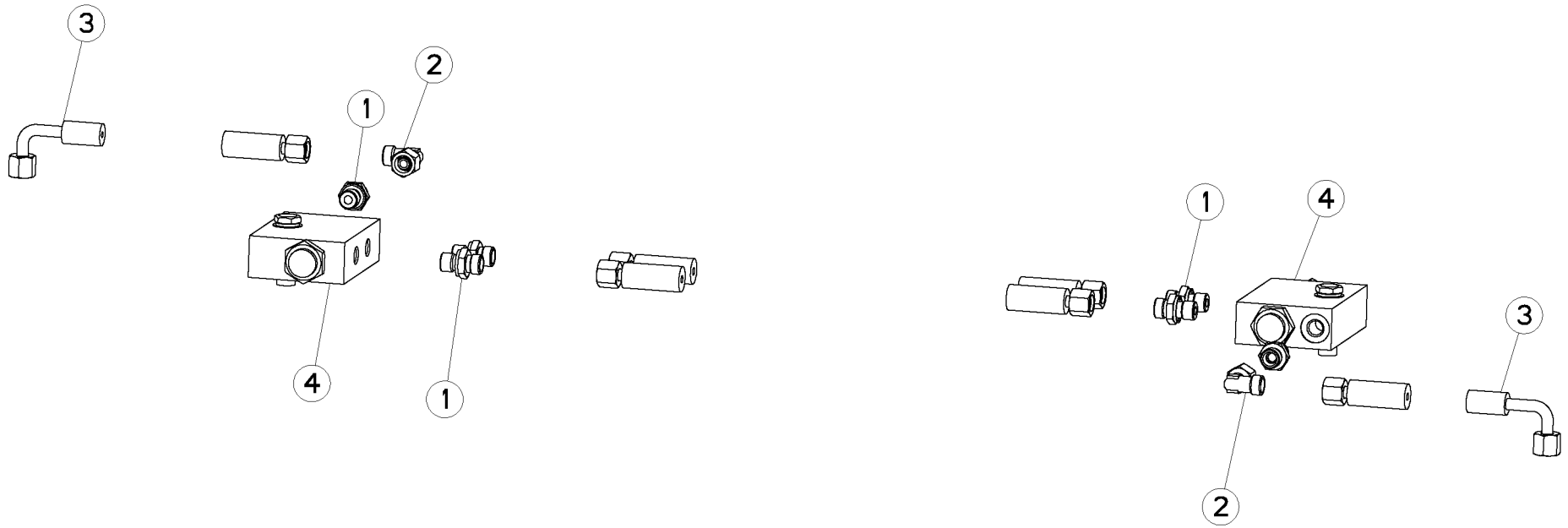
G40R0328 C

HYDRAULIQUE SÉLECTEUR METRIS

HYDRAULIC CONTROL VALVE METRIS

HYDRAULIK STANDARDSSTEUERUNG M VALVOLA DI COMANDO IDRAULICO

Rep	Nr	Qt	Designation	Description	Bezeichnung	Referenza	Remarque - Remark - Bemerkung - Osservazioni
001	59901300	002	PICTOGR.H DANGER ACCUMULAT	PICTORIAL H DANGER ACCUMULATOR	PIKTOGR.H GEFAHR HYDROSPEICHER	ADESIVO	
002	80080646	002	VIS TETE CYL.SIX P.CRE.INOX	HEX.SOCKET HEAD CAP SCREW INOX	ZYLINDERSCHR.INNENSECHSK.INOX	VITE A TESTA CILINDRICA INOX	
003	80200631	002	ECROU HEX.BAS AUTOFR.INOX	SELF-LOCKING NUT INOX	SELBSTSICHERNDE MUTTER INOX	DADO AUTOBLOCCANTE INOX	
004	80250601	002	RONDELLE PLATE INOX A2	PLAIN WASHER INOX A2	SCHEIBE INOX A2	RONDELLA PIATTALA INOX A2	
005	82300026	001	CAPUCHON COUPLEUR MALE	CAP MALE CONNECTOR	KAPPE KUPPLUNGSSTECKER	TAPPO	
006	A4060668	002	ADAPTATEUR M1/2 F1/4 FE/ZNNI	FITTING, HYDRAULIC, ADAPTER	ANBAUELEMENT	ADATTATORE	
007	A4061832	004	BOUCHON	PLUG	VERSCHLUSSSCHRAUBE	TAPPO	
008	A4074001	001	COUPLEUR	COUPLER	KUPPLER	GIUNTO	
009	A4075005	001	ROBINET	VALVE, BALL	KUGELHAHN	ROBINETTO	
010	A4080319	001	UNION DOUBLE/CLOISON FE/ZNNI	BULKHEAD UNION	VERBINDUNGSNIPEL	CONNETTORE	
011	A4080487	003	UNION MALE FE/ZNNI	FITTING, HYDRAULIC, UNION	VERBINDUNG	CONNETTORE	
012	A4080488	003	UNION MALE FE/ZNNI	FITTING, HYDRAULIC, UNION	VERBINDUNG	CONNETTORE	
013	A4080497	002	UNION MALE FE/ZNNI	FITTING, HYDRAULIC, UNION	VERBINDUNG	CONNETTORE	
014	A4080530	004	ADAPTATEUR MALE FE/ZNNI	FITTING, HYDRAULIC, ADAPTER	ANBAUELEMENT	ADATTATORE	
015	A4082418	002	UNION MALE FE/ZNNI	FITTING, HYDRAULIC, UNION	VERBINDUNG	CONNETTORE	
016	A4082713	002	COUDE TOURNANT	AJUSTABLE MALE STUD ELBOW	EINSTELLBARE WINKEL STUTZEN	GIUNZIONE A 90°ORIENTABILE ZBC	
017	A4082715	002	COUDE TOURNANT	AJUSTABLE MALE STUD ELBOW	EINSTELLBARE WINKEL STUTZEN	GIUNZIONE A 90°ORIENTABILE	
018	A4090408	001	UNION	FITTING, HYDRAULIC, UNION	VERBINDUNG	CONNETTORE	
019	A4230017	001	BAGUE BS17	BUSH BS	BUCHSE BS	GUARNIZIONE	
020	A4230021	001	BAGUE BS21	BUSH BS	BUCHSE BS	BOCCOLA	
021	A4920194	002	FLEXIBLE	HOSE, HYDRAULIC	HYDRAULIKSCHLAUCH	TUBO IN GOMMA	<->2400 mm
022	A4920222	001	FLEXIBLE	HOSE, HYDRAULIC	HYDRAULIKSCHLAUCH	TUBO IN GOMMA	<->2000 mm
023	A4920224	001	FLEXIBLE	HOSE, HYDRAULIC	HYDRAULIKSCHLAUCH	TUBO IN GOMMA	<->5000 mm
024	G0151550	002	TE	FITTING, HYDRAULIC, TEE	T-STUCK	RACCORDO A T	
025	G4001430	001	BLOC	BLOCK	BLOCK	BLOCCO	
026	G9000820	002	ACCUMULATEUR HYDRO-PNEUMATIQUE	ACCUMULATOR	DRUCKSPEICHER	ACCUMULATORE	





METRIS

G40R0346 A

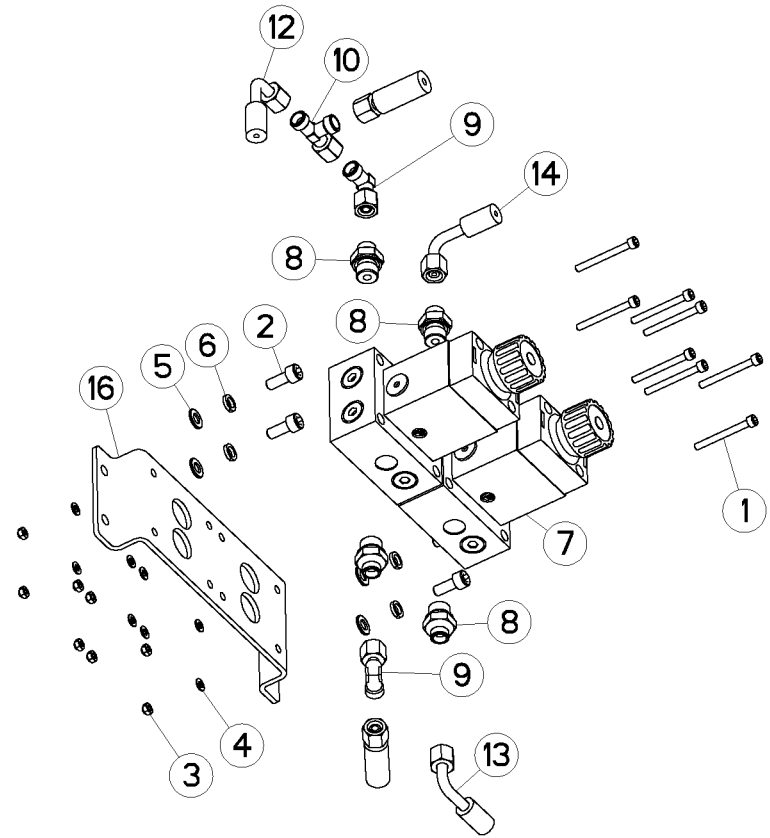
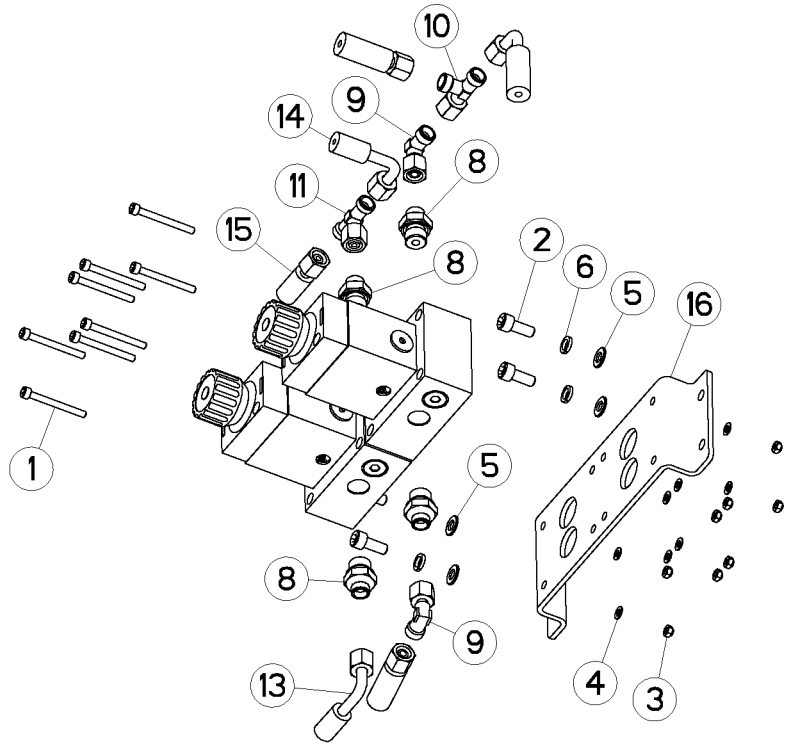
HYDRAULIQUE RHA3 24/-32-33-36

HYDRAULIC RHA3 24/-32-33-36

HYDRAULIK RHA3 24/-32-33-36

IDRAULICO RHA3 24/-32-33-36

Rep	Nr	Qt	Designation	Description	Bezeichnung	Referenza	Remarque - Remark - Bemerkung - Osservazioni
001	A4080487	006	UNION MALE FE/ZNNI	FITTING, HYDRAULIC, UNION	VERBINDUNG	CONNETTORE	
002	A4082713	002	COUDE TOURNANT	AJUSTABLE MALE STUD ELBOW	EINSTELLBARE WINKEL STUTZEN	GIUNZIONE A 90°ORIENTABILE ZBC	
003	A4920134	002	FLEXIBLE	HOSE, HYDRAULIC	HYDRAULIKSCHLAUCH	TUBO IN GOMMA	<->550 mm
004	G0465400	002	CLAPET	VALVE, FLAP	RUECKSCHLAGVENTIL	VALVOLA	





METRIS

G40R0347 A

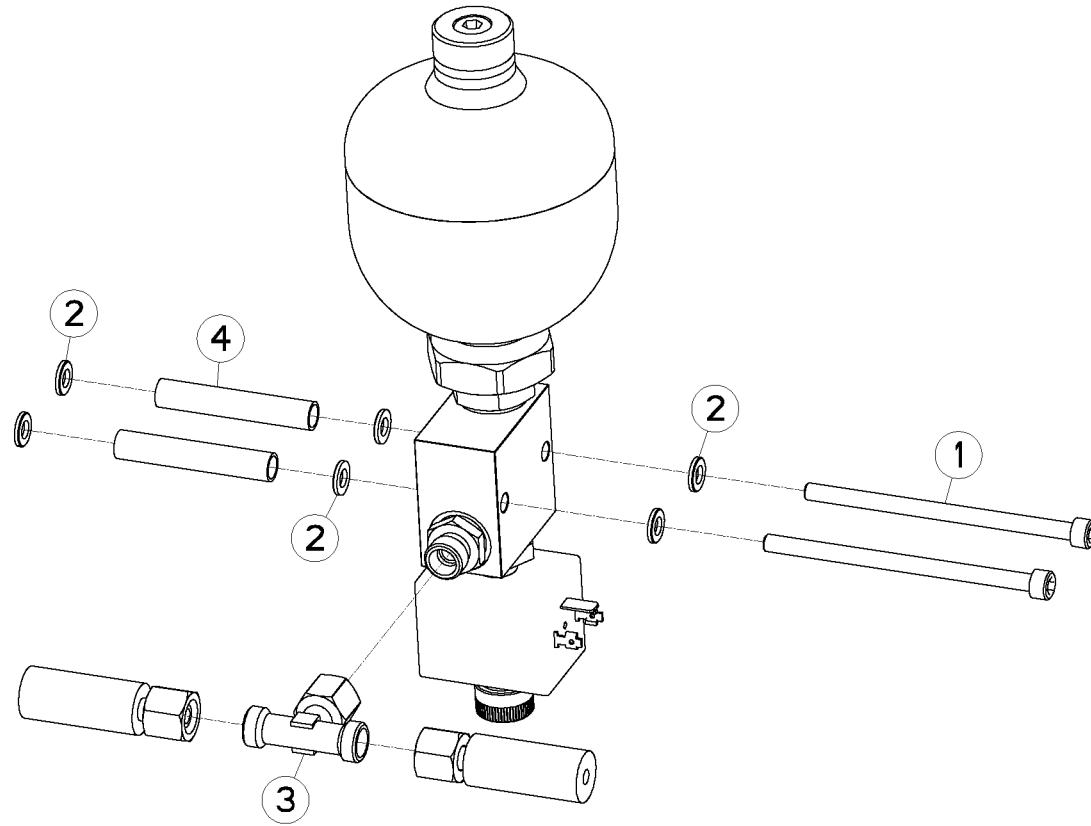
HYDRAULIQUE RHA3 24/-32-33-36

HYDRAULIC RHA3 24/-32-33-36

HYDRAULIK RHA3 24/-32-33-36

IDRAULICO RHA3 24/-32-33-36

Rep	Nr	Qt	Designation	Description	Bezeichnung	Referenza	Remarque - Remark - Bemerkung - Osservazioni
001	80080551	016	VIS TETE CYL.SIX P.CRE.INOX	SCREW, SOCKET HEAD	ZYLINDERSCHR.INNENSECHSK.	VITE A TESTA CILINDRICA	
002	80080821	008	VIS TETE CYL.SIX P.CRE.INOX	HEX.SOCKET HEAD CAP SCREW INOX	ZYLINDERSCHR.INNENSECHSK.INOX	VITE A TESTA CILINDRICA INOX	
003	80200541	016	ECROU HEX.BAS AUTOFR.INOX	SELF-LOCKING NUT INOX	SELBSTSICHERNDE MUTTER INOX	DADO AUTOBLOCCANTE INOX	
004	80250500	016	RONDELLE PLATE INOX A2	PLAIN WASHER INOX A2	SCHEIBE INOX A2	RONDELLA PIATTALA INOX A2	
005	80250800	008	RONDELLE PLATE INOX A2	PLAIN WASHER INOX A2	SCHEIBE INOX A2	RONDELLA PIATTALA INOX A2	
006	80270883	008	RONDELLE GROWER INOX A2	WASHER, SPRING LOCK INOX A2	FEDERRING INOX A2	RONDELLA GROWER INOX A2	
007	A4073042	004	BLOC HYDRAULIQUE	MANIFOLD, HYDRAULIC	HYDRAULIK-STEUERBLOCK	BLOCCO IDRAULICO	
008	A4080488	008	UNION MALE FE/ZNNI	FITTING, HYDRAULIC, UNION	VERBINDUNG	CONNETTORE	
009	A4082713	004	COUDE TOURNANT	AJUSTABLE MALE STUD ELBOW	EINSTELLBARE WINKEL STUTZEN	GIUNZIONE A 90°ORIENTABILE ZBC	
010	A4083114	002	TE ADAPTABLE RENVERSE FE/ZNNI	FITTING, HYDRAULIC, TEE	T-STUCK	RACCORDO A T	
011	A4083209	001	TE TOURNANT NU FE/ZNNI	ADJUSTABLE EQUAL TEE FE/ZNNI	EINSTELLB.T VERSCHRAU.FE/ZNNI	RACCORDO ORIENT.A T FE/ZNNI	
012	A4920140	001	FLEXIBLE	HOSE, HYDRAULIC	HYDRAULIKSCHLAUCH	TUBO IN GOMMA	<->950 mm
013	A4920171	002	FLEXIBLE	HOSE, HYDRAULIC	HYDRAULIKSCHLAUCH	TUBO IN GOMMA	<->7050 mm
014	A4920188	002	FLEXIBLE	HOSE, HYDRAULIC	HYDRAULIKSCHLAUCH	TUBO IN GOMMA	<->250 mm
015	A4920189	001	FLEXIBLE	HOSE, HYDRAULIC	HYDRAULIKSCHLAUCH	TUBO IN GOMMA	<->500 mm
016	G3100100	002	SUPPORT	SUPPORT	TRAEGER	SUPPORTO	





METRIS

G40R0348 A

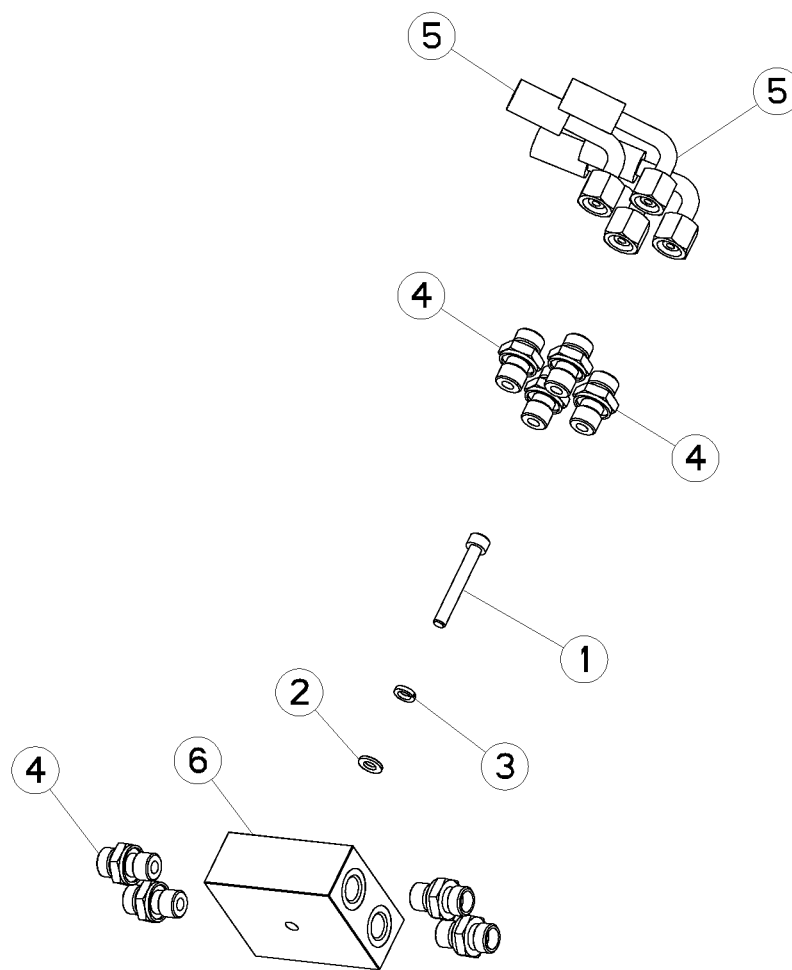
HYDRAULIQUE RHA3 24/-32-33-36

HYDRAULIC RHA3 24/-32-33-36

HYDRAULIK RHA3 24/-32-33-36

IDRAULICO RHA3 24/-32-33-36

Rep	Nr	Qt	Designation	Description	Bezeichnung	Referenza	Remarque - Remark - Bemerkung - Osservazioni
001	80080694	002	VIS TETE CYL.SIX P.CRE.INOX				
002	80250601	006	RONDELLE PLATE INOX A2	PLAIN WASHER INOX A2	SCHEIBE INOX A2	RONDELLA PIATTALA INOX A2	
003	A4083209	001	TE TOURNANT NU FE/ZNNI	ADJUSTABLE EQUAL TEE FE/ZNNI	EINSTELLB.T VERSCHRAU.FE/ZNNI	RACCORDO ORIENT.A T FE/ZNNI	
004	G0861517	002	ENTRETOISE	SPACER	DISTANZHUELSE	DISTANZIALE	





METRIS

G40R0349 A

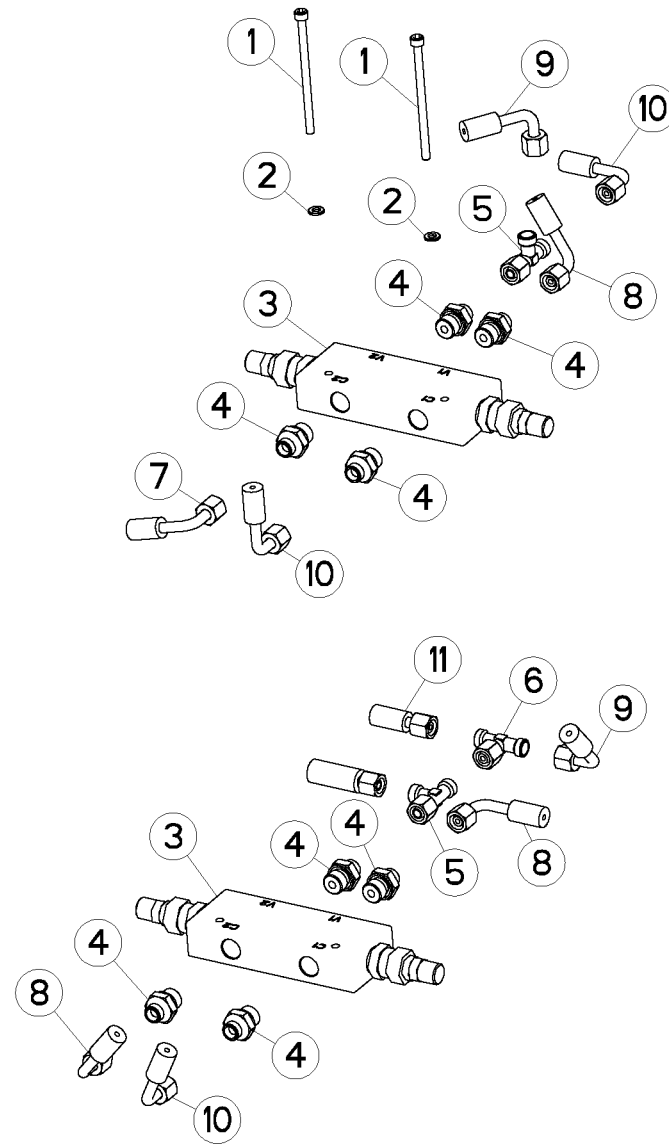
HYDRAULIQUE RHA3 24/-32-33-36

HYDRAULIC RHA3 24/-32-33-36

HYDRAULIK RHA3 24/-32-33-36

IDRAULICO RHA3 24/-32-33-36

Rep	Nr	Qt	Designation	Description	Bezeichnung	Referenza	Remarque - Remark - Bemerkung - Osservazioni
001	80080646	001	VIS TETE CYL.SIX P.CRE.INOX	HEX.SOCKET HEAD CAP SCREW INOX	ZYLINDERSCHR.INNENSECHSK.INOX	VITE A TESTA CILINDRICA INOX	
002	80250601	001	RONDELLE PLATE INOX A2	PLAIN WASHER INOX A2	SCHEIBE INOX A2	RONDELLA PIATTALA INOX A2	
003	80270683	001	RONDELLE GROWER INOX A2	WASHER, SPRING LOCK INOX A2	FEDERRING INOX A2	RONDELLA GROWER INOX A2	
004	A4080487	008	UNION MALE FE/ZNNI	FITTING, HYDRAULIC, UNION	VERBINDUNG	CONNETTORE	
005	A4920139	004	FLEXIBLE	HOSE, HYDRAULIC	HYDRAULIKSCHLAUCH	TUBO IN GOMMA	<->850 mm
006	G4000230	001	BLOC	BLOCK	BLOCK	BLOCCO	





METRIS

G40R0350 A

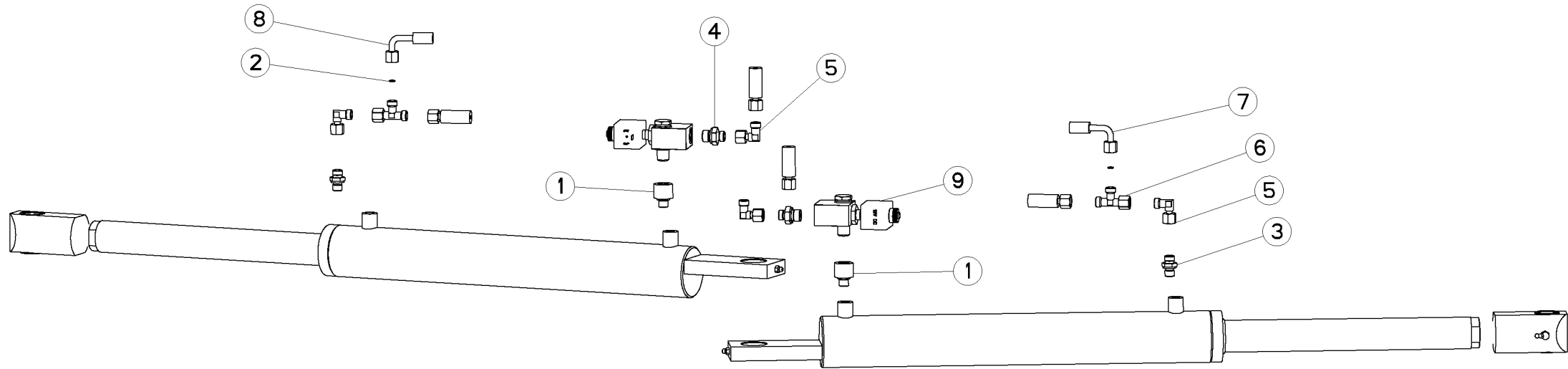
HYDRAULIQUE RHA3 24/-32-33-36

HYDRAULIC RHA3 24/-32-33-36

HYDRAULIK RHA3 24/-32-33-36

IDRAULICO RHA3 24/-32-33-36

Rep	Nr	Qt	Designation	Description	Bezeichnung	Referenza	Remarque - Remark - Bemerkung - Osservazioni
001	80080694	002	VIS TETE CYL.SIX P.CRE.INOX				
002	80250601	002	RONDELLE PLATE INOX A2	PLAIN WASHER INOX A2	SCHEIBE INOX A2	RONDELLA PIATTALA INOX A2	
003	A4071309	002	BLOC HYDRAULIQUE	MANIFOLD, HYDRAULIC	HYDRAULIK-STUEBERBLOCK	BLOCCO IDRAULICO	
004	A4080488	008	UNION MALE FE/ZNNI	FITTING, HYDRAULIC, UNION	VERBINDUNG	CONNETTORE	
005	A4083114	002	TE ADAPTABLE RENVERSE FE/ZNNI	FITTING, HYDRAULIC, TEE	T-STUCK	RACCORDO A T	
006	A4083209	001	TE TOURNANT NU FE/ZNNI	ADJUSTABLE EQUAL TEE FE/ZNNI	EINSTELLB.T VERSCHRAU.FE/ZNNI	RACCORDO ORIENT.A T FE/ZNNI	
007	A4920134	001	FLEXIBLE	HOSE, HYDRAULIC	HYDRAULIKSCHLAUCH	TUBO IN GOMMA	<->550 mm
008	A4920139	003	FLEXIBLE	HOSE, HYDRAULIC	HYDRAULIKSCHLAUCH	TUBO IN GOMMA	<->850 mm
009	A4920171	002	FLEXIBLE	HOSE, HYDRAULIC	HYDRAULIKSCHLAUCH	TUBO IN GOMMA	<->7050 mm
010	A4920188	003	FLEXIBLE	HOSE, HYDRAULIC	HYDRAULIKSCHLAUCH	TUBO IN GOMMA	<->250 mm
011	A4920189	001	FLEXIBLE	HOSE, HYDRAULIC	HYDRAULIKSCHLAUCH	TUBO IN GOMMA	<->500 mm





METRIS

G40R0351 A

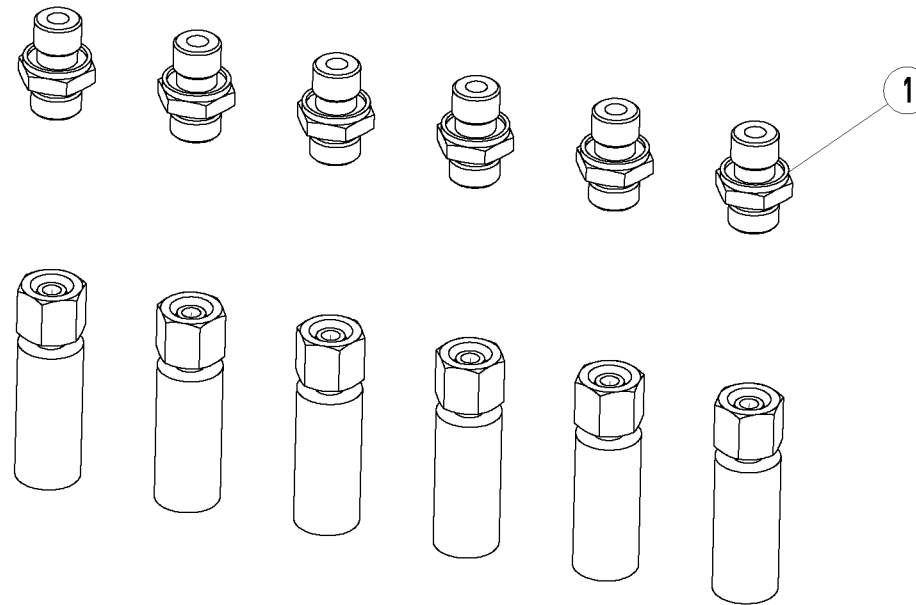
HYDRAULIQUE RHA3 24/-32-33-36

HYDRAULIC RHA3 24/-32-33-36

HYDRAULIK RHA3 24/-32-33-36

IDRAULICO RHA3 24/-32-33-36

Rep	Nr	Qt	Designation	Description	Bezeichnung	Referenza	Remarque - Remark - Bemerkung - Osservazioni
001	A4060672	002	ADAPTATEUR F3/8 M1/4 FE/ZNNI	FITTING, HYDRAULIC, ADAPTER	ANBAUELEMENT	ADATTATORE	
002	A4072042	002	LIMITEUR DE DEBIT	FLOW LIMITER	MENGENREGLER	LIMITATORE DI FLUSSO	
003	A4080487	002	UNION MALE FE/ZNNI	FITTING, HYDRAULIC, UNION	VERBINDUNG	CONNETTORE	
004	A4080488	002	UNION MALE FE/ZNNI	FITTING, HYDRAULIC, UNION	VERBINDUNG	CONNETTORE	
005	A4082713	004	COUDE TOURNANT	AJUSTABLE MALE STUD ELBOW	EINSTELLBARE WINKEL STUTZEN	GIUNZIONE A 90°ORIENTABILE ZBC	
006	A4083114	002	TE ADAPTABLE RENVERSE FE/ZNNI	FITTING, HYDRAULIC, TEE	T-STUCK	RACCORDO A T	
007	A4920134	001	FLEXIBLE	HOSE, HYDRAULIC	HYDRAULIKSCHLAUCH	TUBO IN GOMMA	<->550 mm
008	A4920139	001	FLEXIBLE	HOSE, HYDRAULIC	HYDRAULIKSCHLAUCH	TUBO IN GOMMA	<->850 mm
009	G9000800	002	ELECTROVANNE	VALVE, SOLENOID	ELEKTROSCHIEBER	ELETTROVALVOLA	





METRIS

G40R0352 A

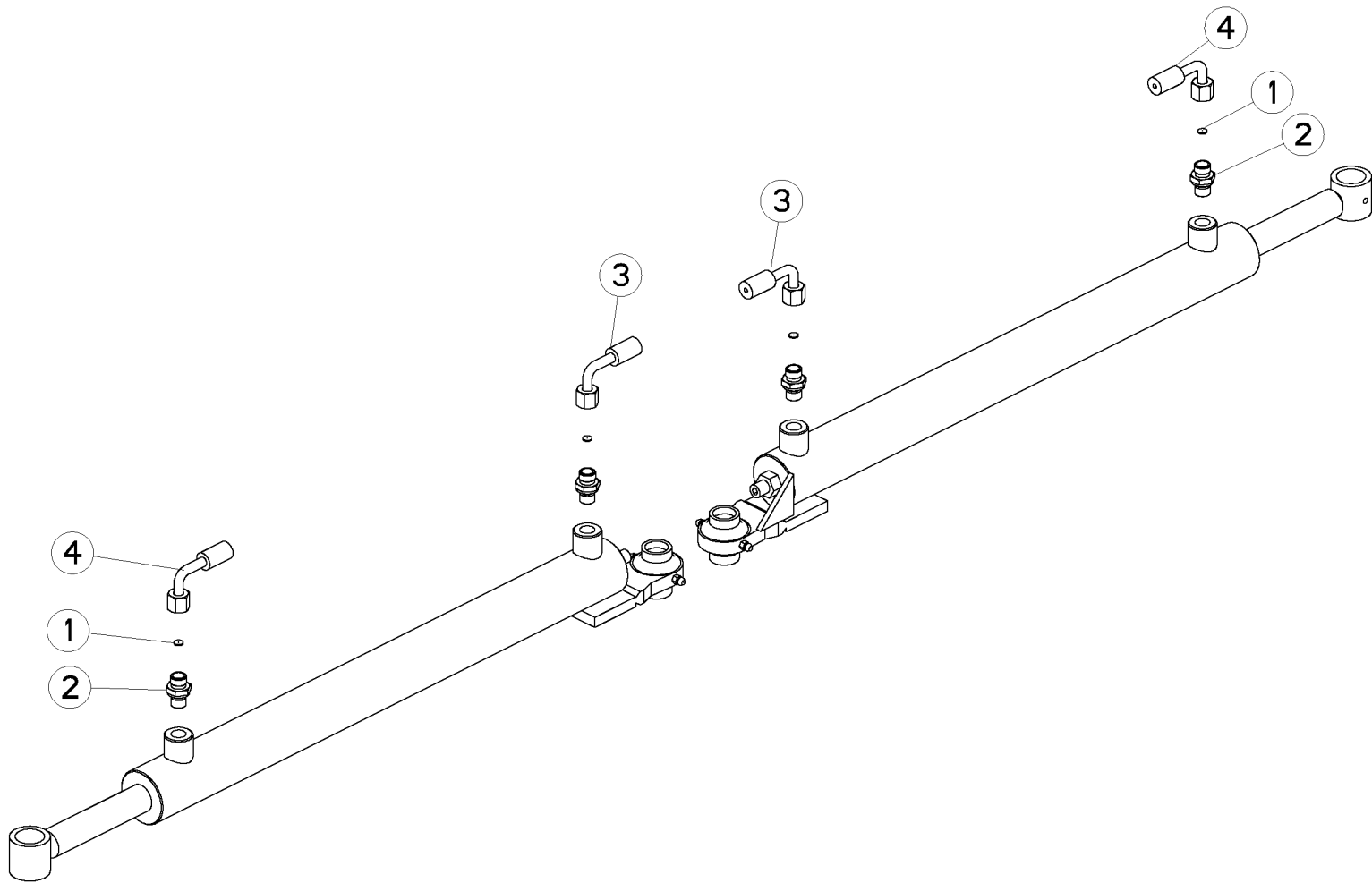
HYDRAULIQUE RHA3 24/-32-33-36

HYDRAULIC RHA3 24/-32-33-36

HYDRAULIK RHA3 24/-32-33-36

IDRAULICO RHA3 24/-32-33-36

Rep	Nr	Qt	Designation	Description	Bezeichnung	Referenza	Remarque - Remark - Bemerkung - Osservazioni
001	A4080487	006	UNION MALE FE/ZNNI	FITTING, HYDRAULIC, UNION	VERBINDUNG	CONNETTORE	





METRIS

G40R0367 A

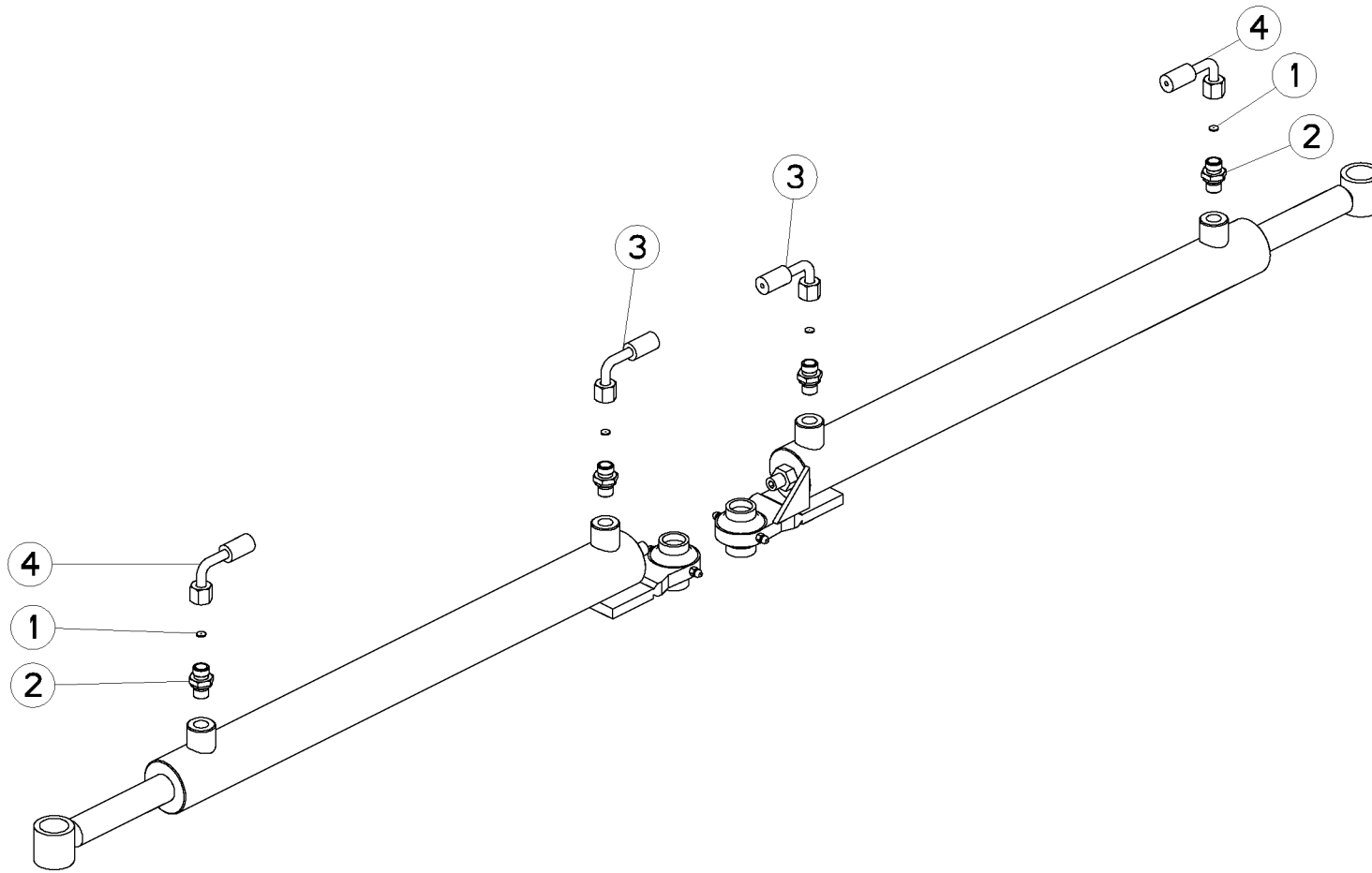
HYDRAULIQUE 9/15-16-18 EXTERIE

HYDRAULIC 9/15-16-18 OUTER

HYDRAULIK 9/15-16-18 AUSSEN

IDRAULICO 9/15-16-18 ESTERNO

Rep	Nr	Qt	Designation	Description	Bezeichnung	Referenza	Remarque - Remark - Bemerkung - Osservazioni
001	A4072042	004	LIMITEUR DE DEBIT	FLOW LIMITER	MENGENREGLER	LIMITATORE DI FLUSSO	
002	A4080487	004	UNION MALE FE/ZNNI	FITTING, HYDRAULIC, UNION	VERBINDUNG	CONNETTORE	
003	A4920161	002	FLEXIBLE	HOSE, HYDRAULIC	HYDRAULIKSCHLAUCH	TUBO IN GOMMA	<->4050 mm
004	A4920215	002	FLEXIBLE	HOSE, HYDRAULIC	HYDRAULIKSCHLAUCH	TUBO IN GOMMA	<->4550 mm





METRIS

G40R0368 A

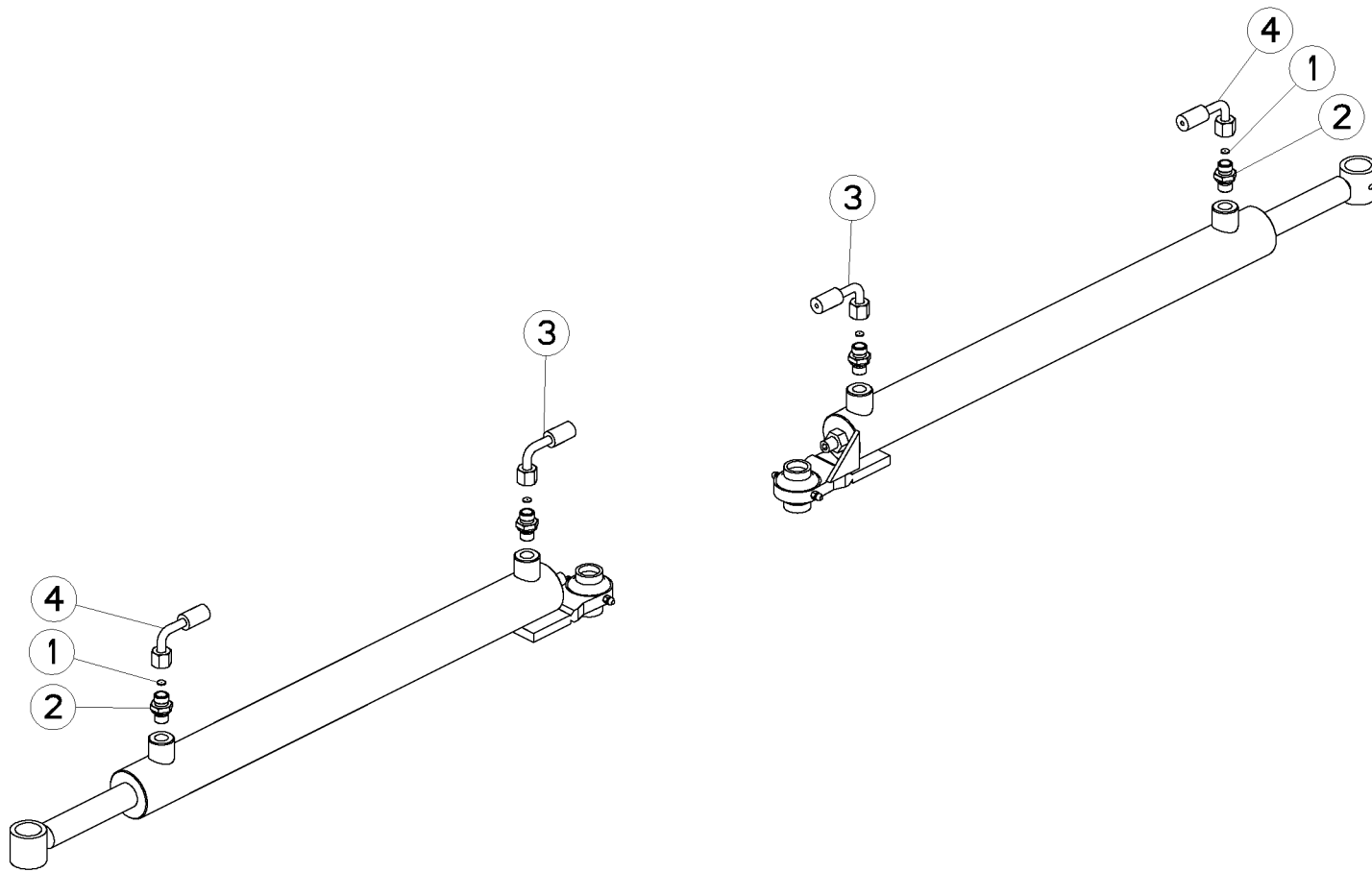
HYDRAULIQUE 12/18-20-21-24 EXT

HYDRAULIC 12/18-20-21-24 OUTER

HYDRAULIK 12/18-20-21-24 AUSSE

IDRAULICO 12/18-20-21-24 ESTER

Rep	Nr	Qt	Designation	Description	Bezeichnung	Referenza	Remarque - Remark - Bemerkung - Osservazioni
001	A4072042	004	LIMITEUR DE DEBIT	FLOW LIMITER	MENGENREGLER	LIMITATORE DI FLUSSO	
002	A4080487	004	UNION MALE FE/ZNNI	FITTING, HYDRAULIC, UNION	VERBINDUNG	CONNETTORE	
003	A4920166	002	FLEXIBLE	HOSE, HYDRAULIC	HYDRAULIKSCHLAUCH	TUBO IN GOMMA	<->6050 mm
004	A4920169	002	FLEXIBLE	HOSE, HYDRAULIC	HYDRAULIKSCHLAUCH	TUBO IN GOMMA	<->6500 mm





METRIS

G40R0369 A

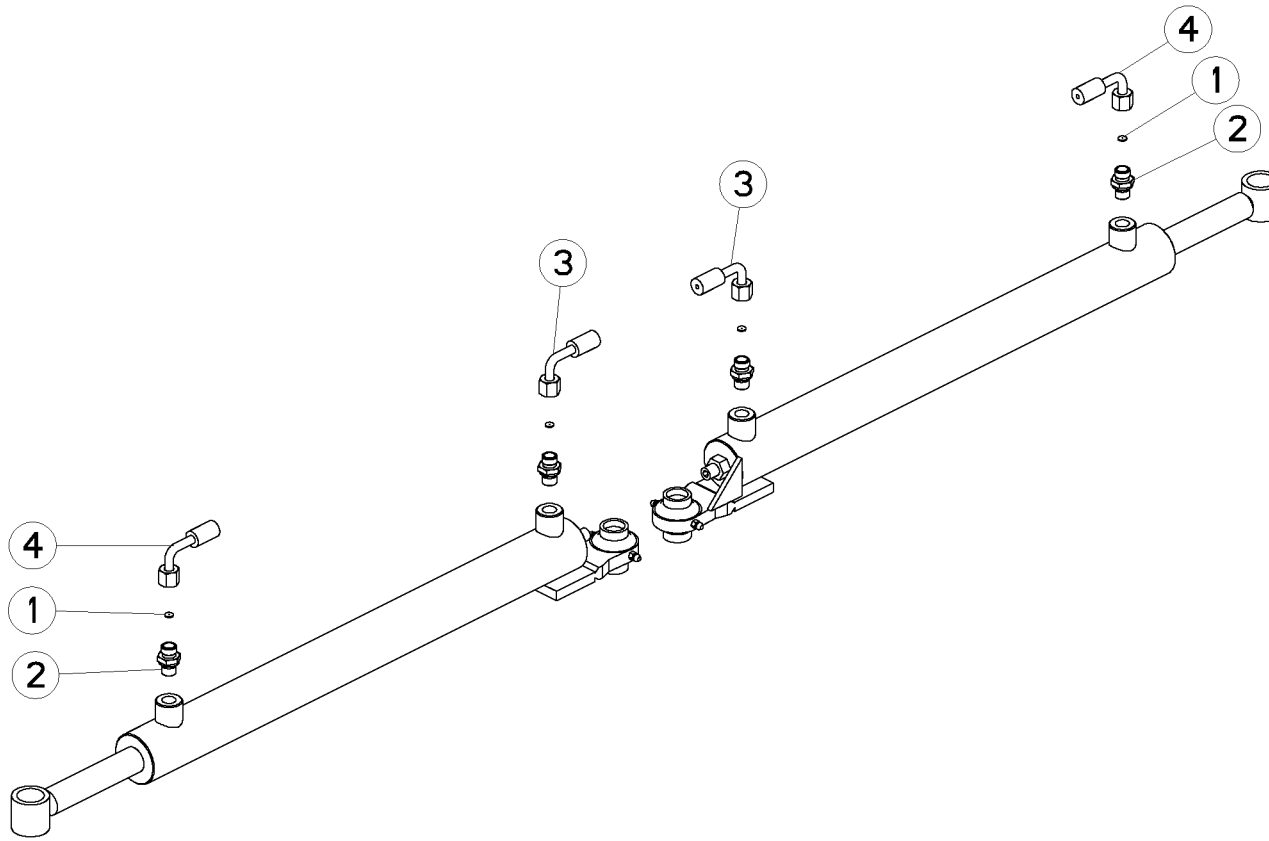
HYDRAULIQUE 11/18-20-21 EXTERI

HYDRAULIC 11/18-20-21 OUTER

HYDRAULIK 11/18-20-21 AUSSEN

IDRAULICO 11/18-20-21 ESTERNO

Rep	Nr	Qt	Designation	Description	Bezeichnung	Referenza	Remarque - Remark - Bemerkung - Osservazioni
001	A4072042	004	LIMITEUR DE DEBIT	FLOW LIMITER	MENGENREGLER	LIMITATORE DI FLUSSO	
002	A4080487	004	UNION MALE FE/ZNNI	FITTING, HYDRAULIC, UNION	VERBINDUNG	CONNETTORE	
003	A4920164	002	FLEXIBLE	HOSE, HYDRAULIC	HYDRAULIKSCHLAUCH	TUBO IN GOMMA	<->5050 mm
004	A4920165	002	FLEXIBLE	HOSE, HYDRAULIC	HYDRAULIKSCHLAUCH	TUBO IN GOMMA	<->5550 mm





METRIS

G40R0370 A

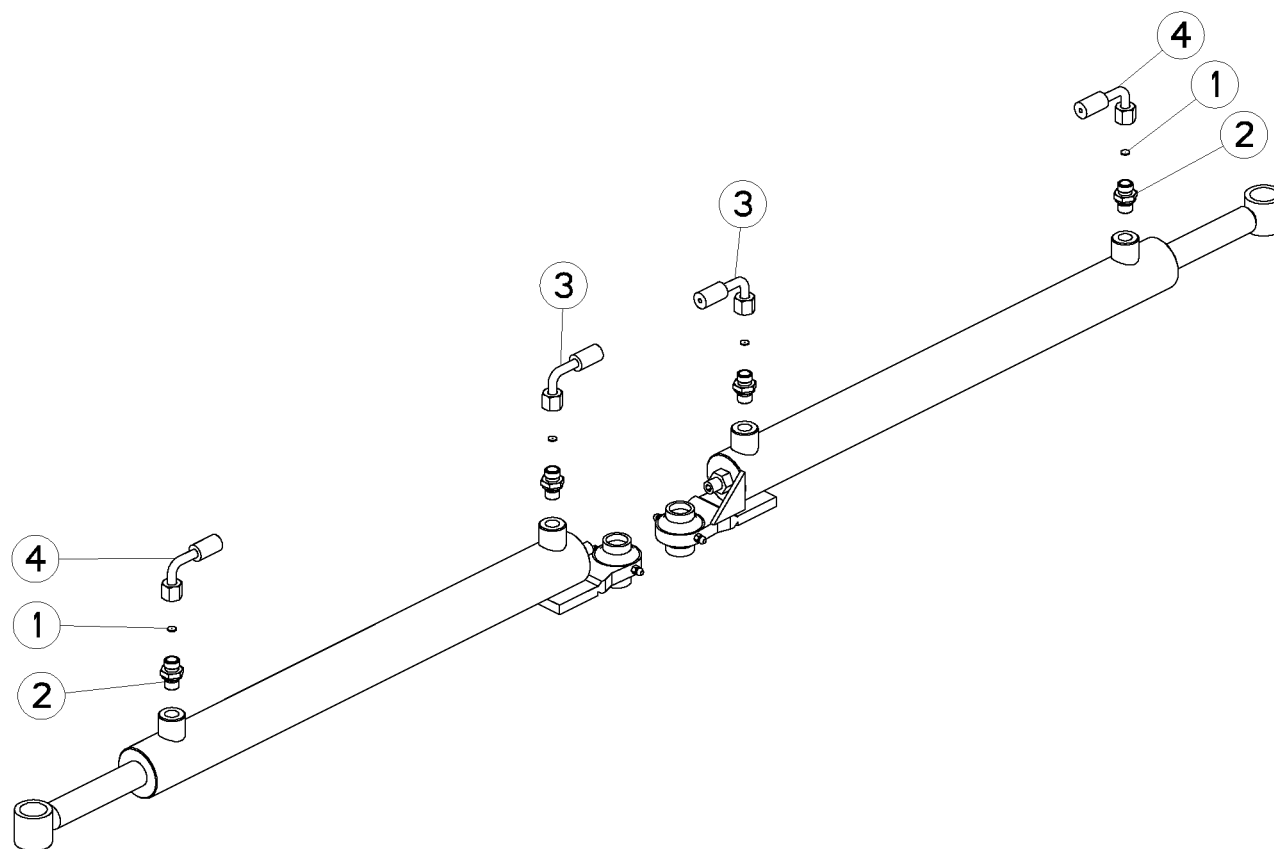
HYDRAULIQUE 14/28 EXTERIEUR

HYDRAULIC 14/28 OUTER

HYDRAULIK 14/28 AUSSEN

IDRAULICO 14/28 ESTERNO

Rep	Nr	Qt	Designation	Description	Bezeichnung	Referenza	Remarque - Remark - Bemerkung - Osservazioni
001	A4072042	004	LIMITEUR DE DEBIT	FLOW LIMITER	MENGENREGLER	LIMITATORE DI FLUSSO	
002	A4080487	004	UNION MALE FE/ZNNI	FITTING, HYDRAULIC, UNION	VERBINDUNG	CONNETTORE	
003	A4920171	002	FLEXIBLE	HOSE, HYDRAULIC	HYDRAULIKSCHLAUCH	TUBO IN GOMMA	<->7050 mm
004	A4920172	002	FLEXIBLE	HOSE, HYDRAULIC	HYDRAULIKSCHLAUCH	TUBO IN GOMMA	<->7550 mm





METRIS

G40R0371 A

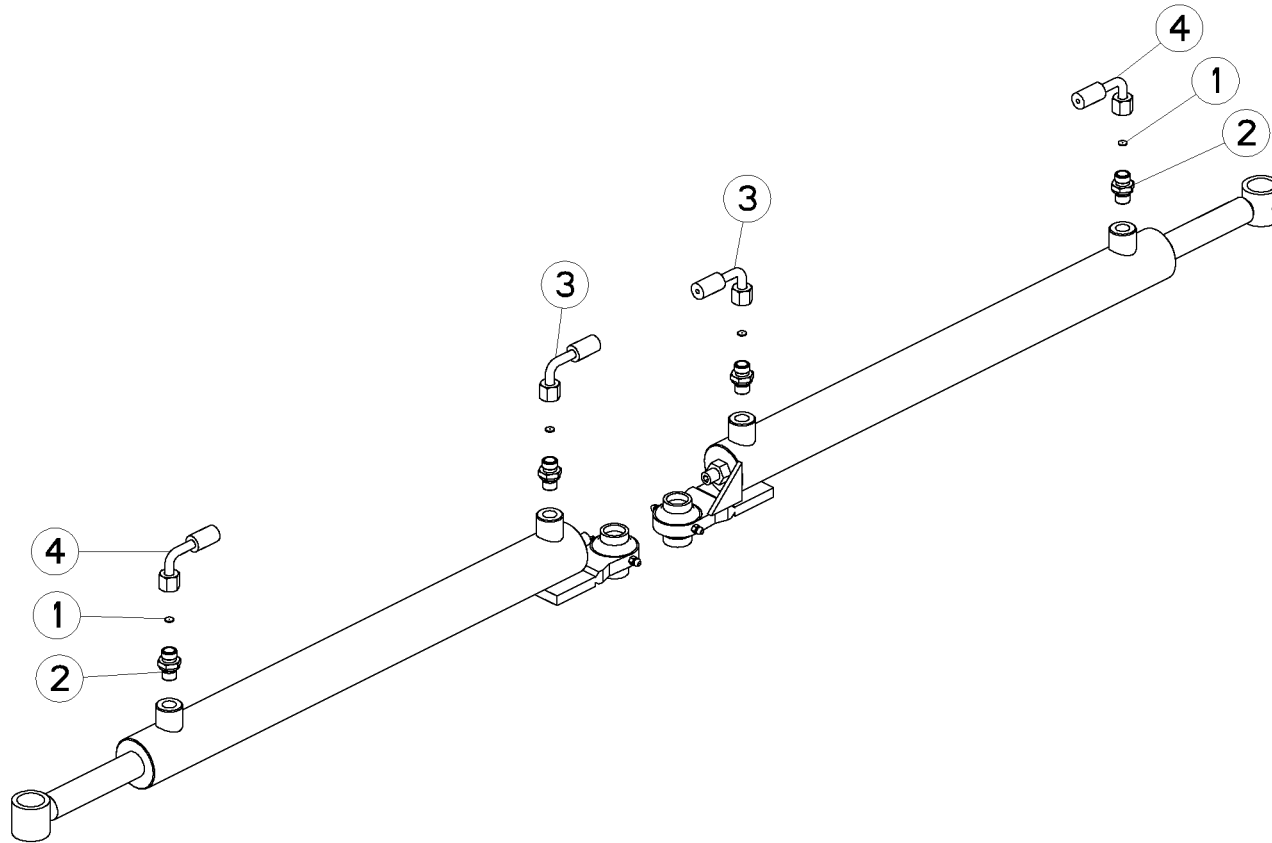
HYDRAULIQUE 15/28 EXTERIEUR

HYDRAULIC 15/28 OUTER

HYDRAULIK 15/28 AUSSEN

IDRAULICO 15/28 ESTERNO

Rep	Nr	Qt	Designation	Description	Bezeichnung	Referenza	Remarque - Remark - Bemerkung - Osservazioni
001	A4072043	004	LIMITEUR DE DEBIT	FLOW LIMITER	MENGENREGLER	LIMITATORE DI FLUSSO	
002	A4080487	004	UNION MALE FE/ZNNI	FITTING, HYDRAULIC, UNION	VERBINDUNG	CONNETTORE	
003	A4920171	002	FLEXIBLE	HOSE, HYDRAULIC	HYDRAULIKSCHLAUCH	TUBO IN GOMMA	<->7050 mm
004	A4920172	002	FLEXIBLE	HOSE, HYDRAULIC	HYDRAULIKSCHLAUCH	TUBO IN GOMMA	<->7550 mm





METRIS

G40R0372 A

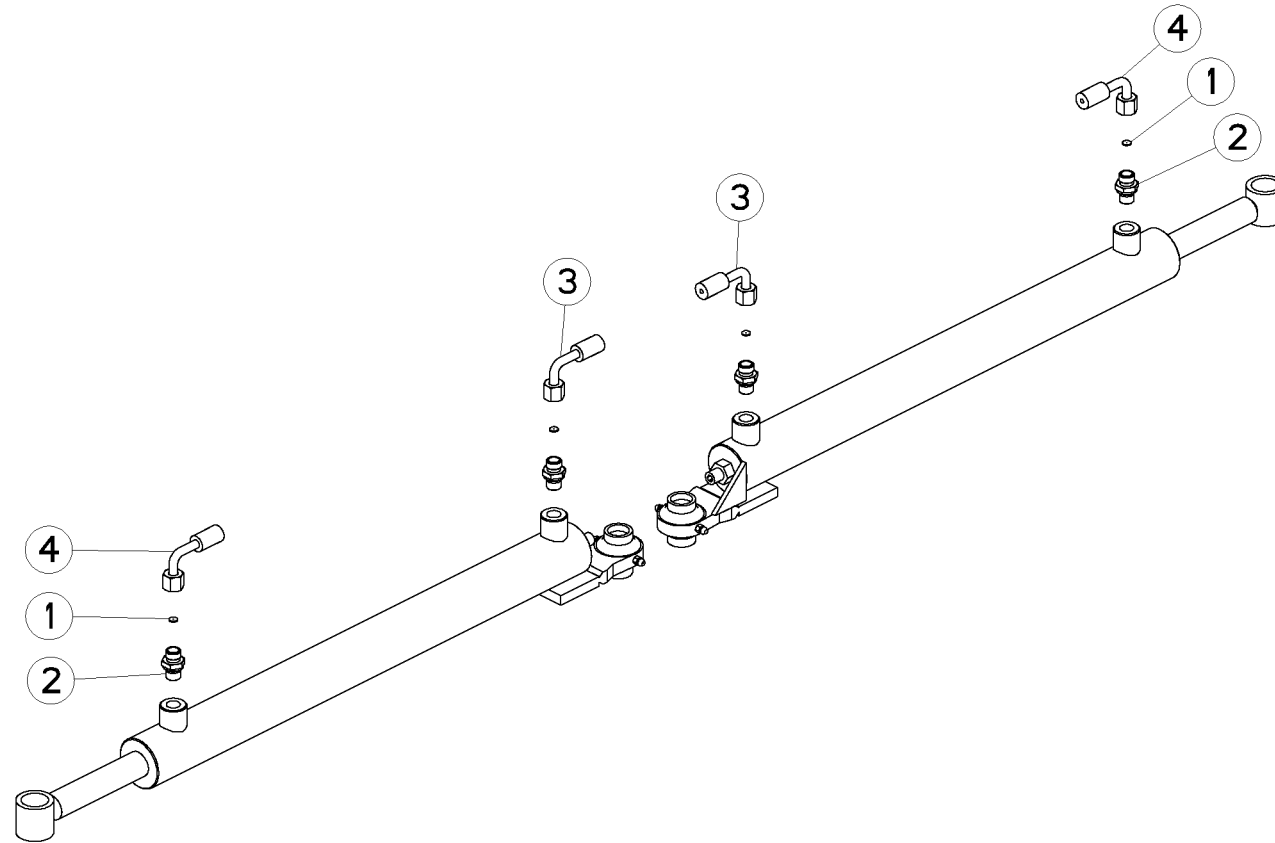
HYDRAULIQUE 16/24-28-30 EXTERI

HYDRAULIC 16/24-28-30 OUTER

HYDRAULIK 16/24-28-30 AUSSEN

IDRAULICO 16/24-28-30 ESTERNO

Rep	Nr	Qt	Designation	Description	Bezeichnung	Referenza	Remarque - Remark - Bemerkung - Osservazioni
001	A4072043	004	LIMITEUR DE DEBIT	FLOW LIMITER	MENGENREGLER	LIMITATORE DI FLUSSO	
002	A4080487	004	UNION MALE FE/ZNNI	FITTING, HYDRAULIC, UNION	VERBINDUNG	CONNETTORE	
003	A4920173	002	FLEXIBLE	HOSE, HYDRAULIC	HYDRAULIKSCHLAUCH	TUBO IN GOMMA	<->8050 mm
004	A4920174	002	FLEXIBLE	HOSE, HYDRAULIC	HYDRAULIKSCHLAUCH	TUBO IN GOMMA	<->8550 mm





METRIS

G40R0373 A

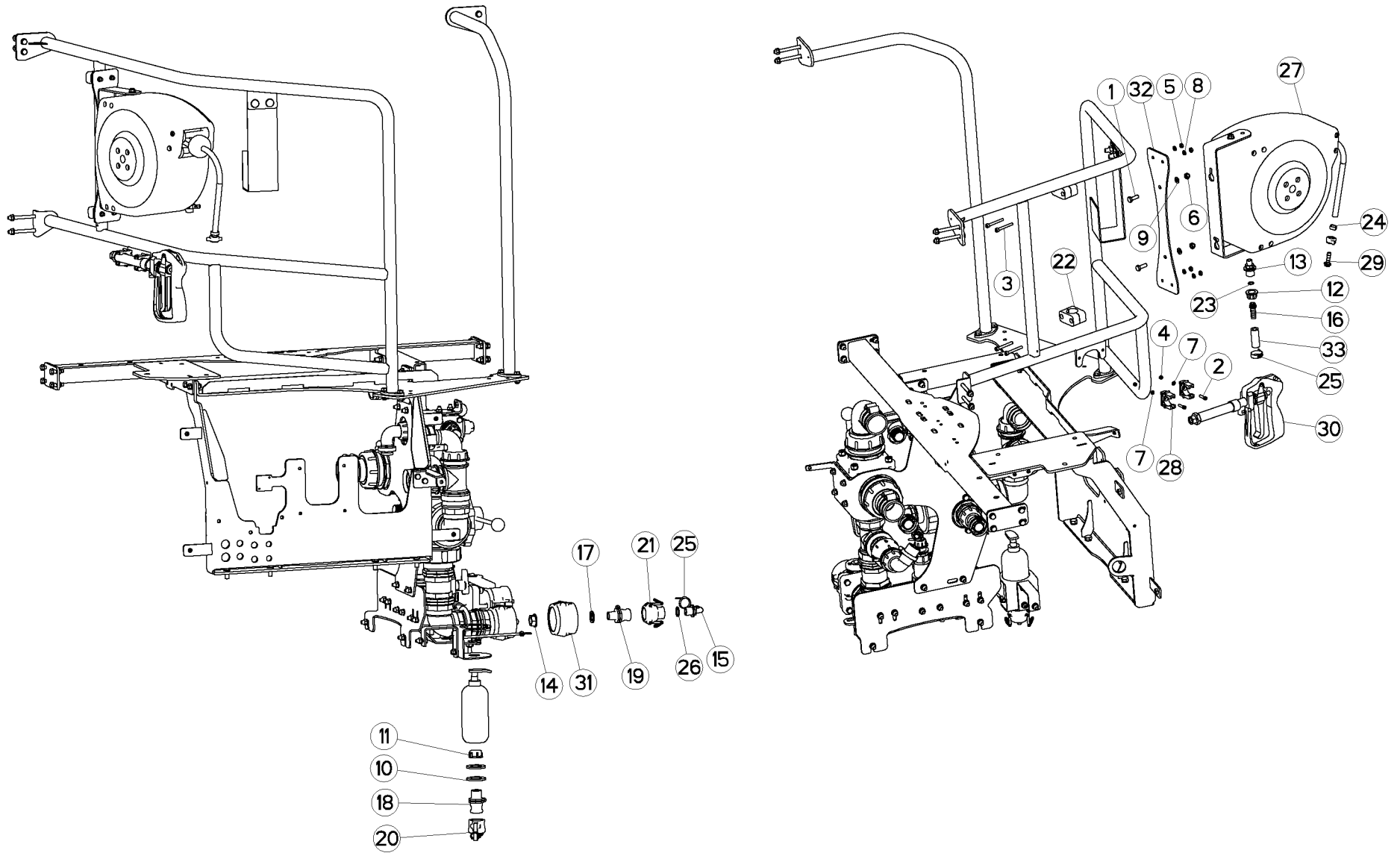
HYDRAULIQUE 24/36 EXTERIEUR

HYDRAULIC 24/36 OUTER

HYDRAULIK 24/36 AUSSEN

IDRAULICO 24/36 ESTERNO

Rep	Nr	Qt	Designation	Description	Bezeichnung	Referenza	Remarque - Remark - Bemerkung - Osservazioni
001	A4072043	004	LIMITEUR DE DEBIT	FLOW LIMITER	MENGENREGLER	LIMITATORE DI FLUSSO	
002	A4080487	004	UNION MALE FE/ZNNI	FITTING, HYDRAULIC, UNION	VERBINDUNG	CONNETTORE	
003	A4920220	002	FLEXIBLE	HOSE, HYDRAULIC	HYDRAULIKSCHLAUCH	TUBO IN GOMMA	<->14000 mm
004	A4920221	002	FLEXIBLE	HOSE, HYDRAULIC	HYDRAULIKSCHLAUCH	TUBO IN GOMMA	<->14500 mm





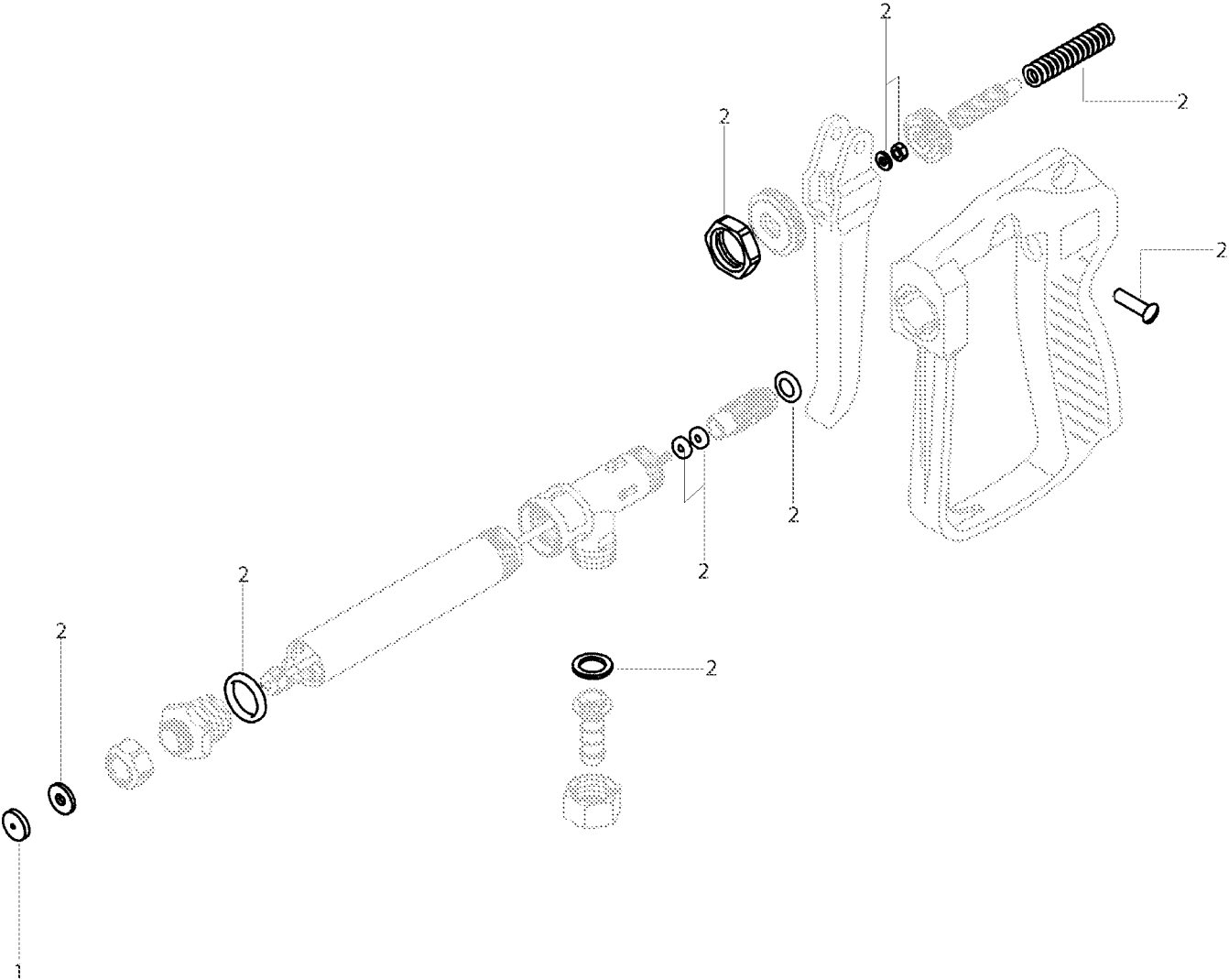
ENROULEUR METRIS

HOSE REEL METRIS

SCHLAUCHHASPEL METRIS

AVVOLGITORE METRIS

Rep	Nr	Qt	Designation	Description	Bezeichnung	Referenza	Remarque - Remark - Bemerkung - Osservazioni
001	80060828	002	VIS TETE HEXAGONALE INOX	HEXAGON HEAD SCREW INOX	SECHSKANTSCHRAUBE INOX	VITE A TESTA ESAGONALE INOX	
002	80080520	002	VIS TETE CYL.SIX P.CRE.INOX	HEX.SOCKET HEAD CAP SCREW INOX	ZYLINDERSCHR.INNENSECHSK.INOX	VITE A TESTA CILINDRICA INOX	
003	80080651	004	VIS TETE CYL.SIX P.CRE.INOX	HEX.SOCKET HEAD CAP SCREW INOX	ZYLINDERSCHR.INNENSECHSK.INOX	VITE A TESTA CILINDRICA INOX	
004	80200566	002	ECROU HEXAG.AUTOBL.INOX	UNDERSERRAT.S.LOCK.NUT INOX	SPERRZAHN-BUNDMUTTER INOX	DADO INOX	
005	80200631	004	ECROU HEX.BAS AUTOFR.INOX	SELF-LOCKING NUT INOX	SELBSTSICHERNDE MUTTER INOX	DADO AUTOBLOCCANTE INOX	
006	80200831	004	ECROU HEXAG.AUTOFREINE INOX	SELF-LOCKING NUT INOX	SELBSTSICHERNDE MUTTER INOX	DADO AUTOBLOCCANTE INOX	
007	80250500	002	RONDELLE PLATE INOX A2	PLAIN WASHER INOX A2	SCHEIBE INOX A2	RONDELLA PIATTALA INOX A2	
008	80250601	004	RONDELLE PLATE INOX A2	PLAIN WASHER INOX A2	SCHEIBE INOX A2	RONDELLA PIATTALA INOX A2	
009	80250800	002	RONDELLE PLATE INOX A2	PLAIN WASHER INOX A2	SCHEIBE INOX A2	RONDELLA PIATTALA INOX A2	
010	80252850	002	RONDELLE PLATE INOX A2	PLAIN WASHER INOX A2	SCHEIBE INOX A2	RONDELLA PIATTA INOX A2	
011	83600227	001	BOUCHON	PLUG	VERSCHLUSSSCHRAUBE	TAPPO	
012	83634010	001	ECROU	NUT	MUTTER	DADO	
013	83654024	001	REDUCTION	ADAPTER, REDUCER	REDUZIERUNG	RIDUZIONE	
014	83654053	001	EMBOUT	END PIECE	ENDSTUECK	GIUNTO	
015	83655039	001	RACCORD	FITTING	VERBINDUNG	RACCORDO	
016	83655086	001	RACCORD	FITTING	VERBINDUNG	RACCORDO	
017	83668024	001	JOINT	SEAL	DICHTUNG	GUARNIZIONE	
018	83673066	001	ADAPTATEUR	FITTING, HYDRAULIC, ADAPTER	ANBAUELEMENT	ADATTATORE	
019	83673133	001	ADAPTATEUR	FITTING, HYDRAULIC, ADAPTER	ANBAUELEMENT	ADATTATORE	
020	83673134	001	BOUCHON	PLUG	VERSCHLUSSSCHRAUBE	TAPPO	
021	83673135	001	COUPLEUR	COUPLER	KUPPLER	GIUNTO	
022	A7260032	002	COLLIER SIMPLE D30 NU	CLAMP D.30	SHELLE D.30	COLLARE D.30	
023	82060925	001	JOINT TORIQUE	O-RING	O-RING	GUARNIZIONE	
024	G0088600	001	COLLIER	CLAMP, HOSE	SCHLAUCHSHELLE	COLLARE	
025	G0173400	002	COLLIER	CLAMP, HOSE	SCHLAUCHSHELLE	COLLARE	
026	G0225530	001	JOINT	SEAL	DICHTUNG	GUARNIZIONE	
027	G0398400	001	ENROUL.AUTO RAPPEL 15M				
028	G0425900	002	COLLIER	CLAMP, HOSE	SCHLAUCHSHELLE	COLLARE	
029	G0450035	001	RACCORD	FITTING	VERBINDUNG	RACCORDO	
030	G0461030	001	LANCE	LANCE	SPRITZROHR	LANCIA	
031	G0695081	001	BOUCHON CAM LOCK 2" PERCÉ				
032	G4104900	001	SUPPORT	SUPPORT	TRAEGER	SUPPORTO	
033	G9101360	001	TUYAU	PIPE	ROHR	TUBO	





METRIS

G40R0135 A

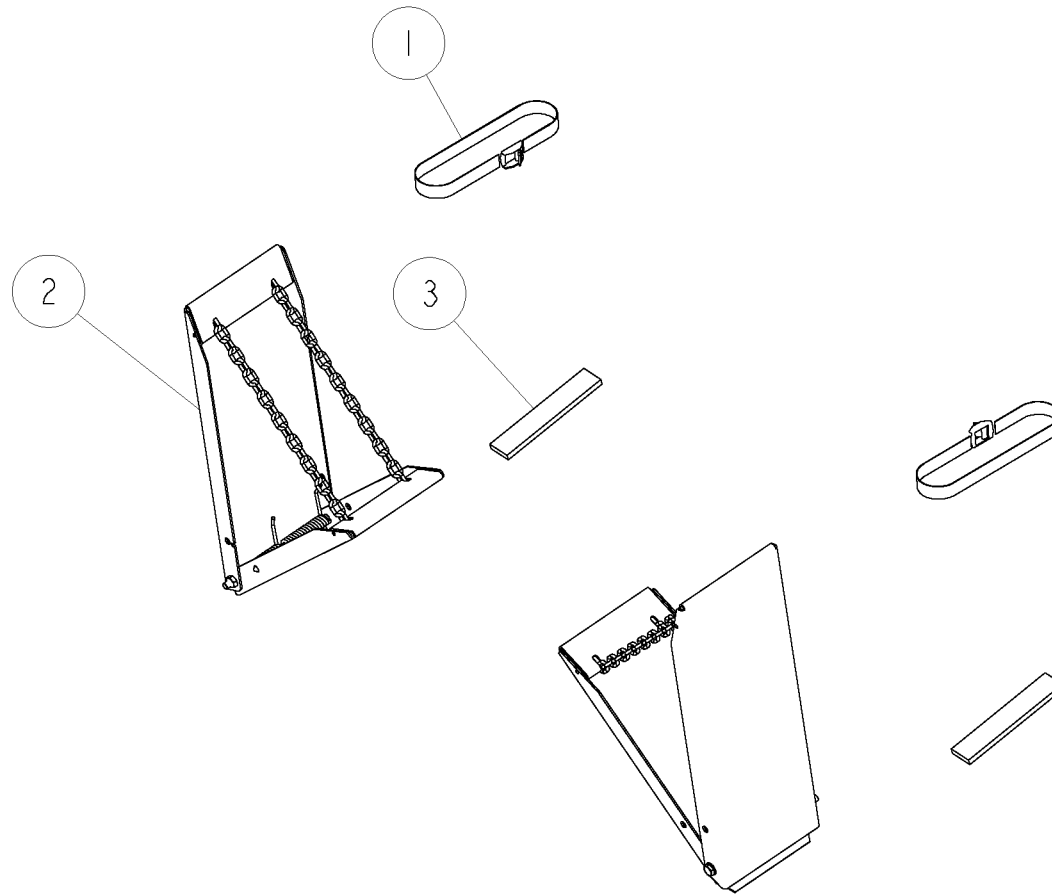
LANCE A MAIN "SPOT 300"

SPRAY GUN "SPOT 300"

SPRITZPISTOLE "SPOT 300"

PISTOLA DI IRRORAZIONE "SPOT 300"

Rep	Nr	Qt	Designation	Description	Bezeichnung	Referenza	Remarque - Remark - Bemerkung - Osservazioni
001	G0389008	001	PASTILLE AMT 15008				
001	G0389010	001	PASTILLE AMT 15010				
001	G0389012	001	PASTILLE AMT 15012				
001	83600267	001	PASTILLE AMT 15015				
001	G0389018	001	PASTILLE AMT 15018				
001	G0389020	001	PASTILLE AMT 15020				
001	83600268	001	PASTILLE AMT 15023				
002	G0461031	001	KIT REPARATION LANCE SPOT 300				





METRIS

G40R0293 A

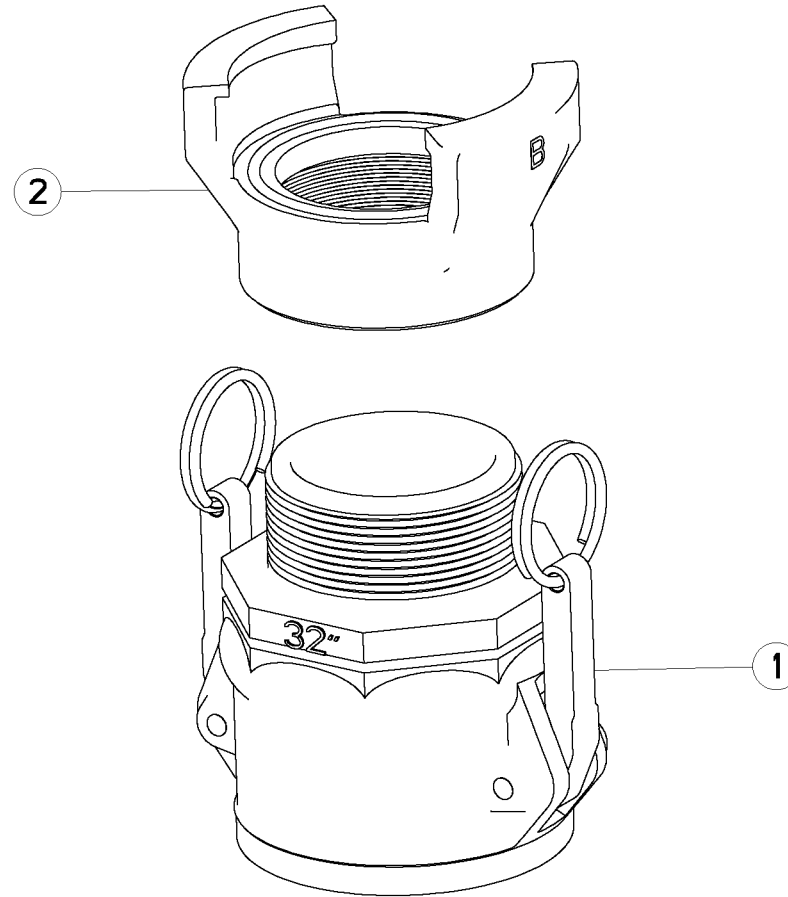
CALE DE ROUE METRIS

FIX OF WHEEL METRIS

BREMSKLOTZ METRIS

TENUTA DI RUO METRIS

Rep	Nr	Qt	Designation	Description	Bezeichnung	Referenza	Remarque - Remark - Bemerkung - Osservazioni
001	84006150	002	SANGLE POLYESTER NOIRE 800MM				
002	G9000710	002	CALE DE ROUE	WHEEL CHOCK	UNTERLEGKEIL	CUNEO	
003	G9000810	002	PROTECTEUR	GUARD	SCHUTZ	PROTEZIONE	





METRIS

G40R0302 A

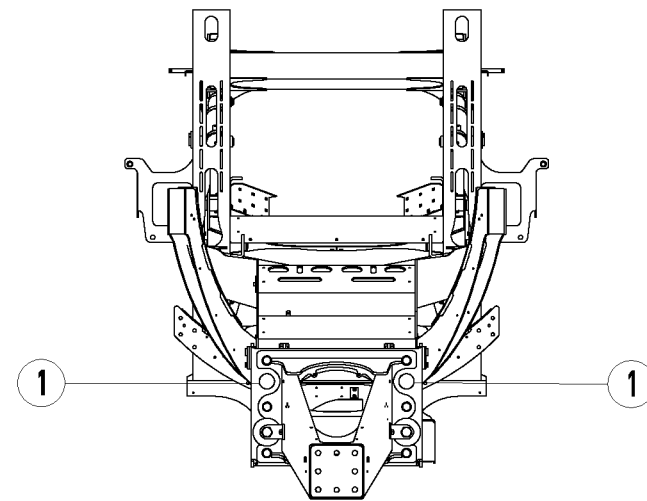
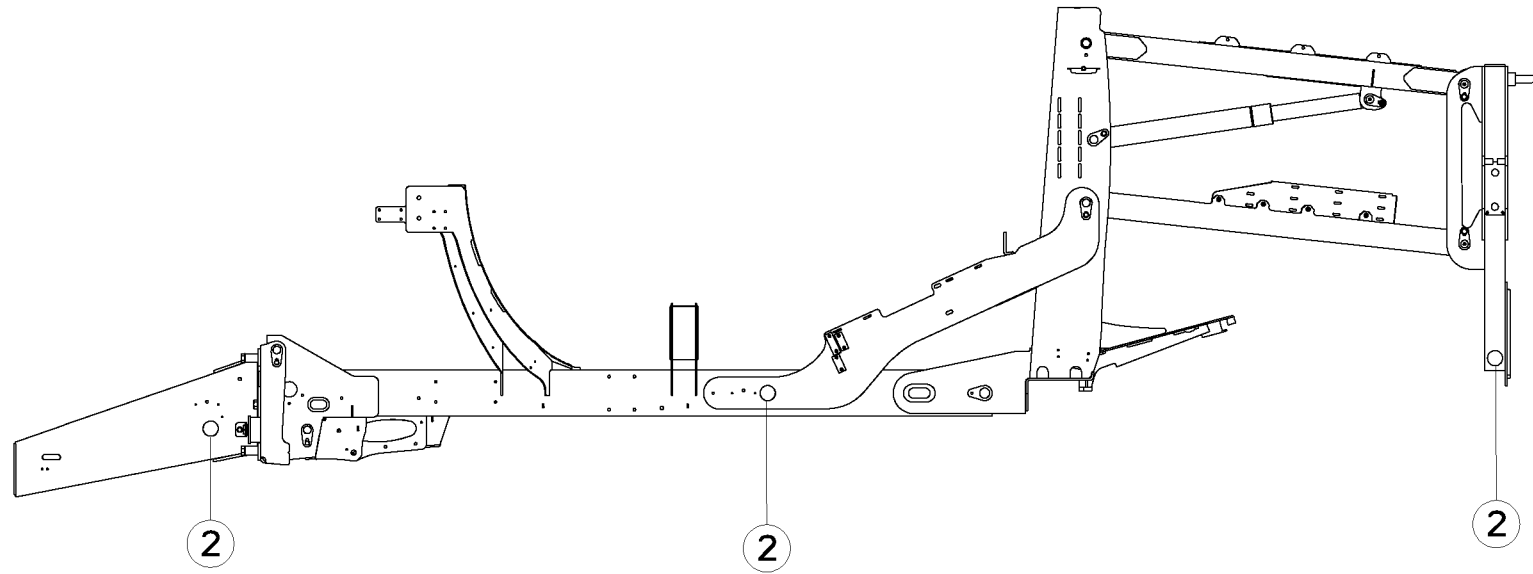
ADAPTATION 2"CAMLOCK POMPIER

ADAPTATION 2"CAMLOCK POMPIER

ANBAUSATZ 2"CAMLOCK POMPIER

ADATTAMENTO 2"CAMLOCK POMPI

Rep	Nr	Qt	Designation	Description	Bezeichnung	Referenza	Remarque - Remark - Bemerkung - Osservazioni
001	83637060	001	COUPLEUR	COUPLER	KUPPLER	GIUNTO	
002	G0175920	001	SOUCHE APM FLLE SANS/VER 50X55				





METRIS

G40R0297 A

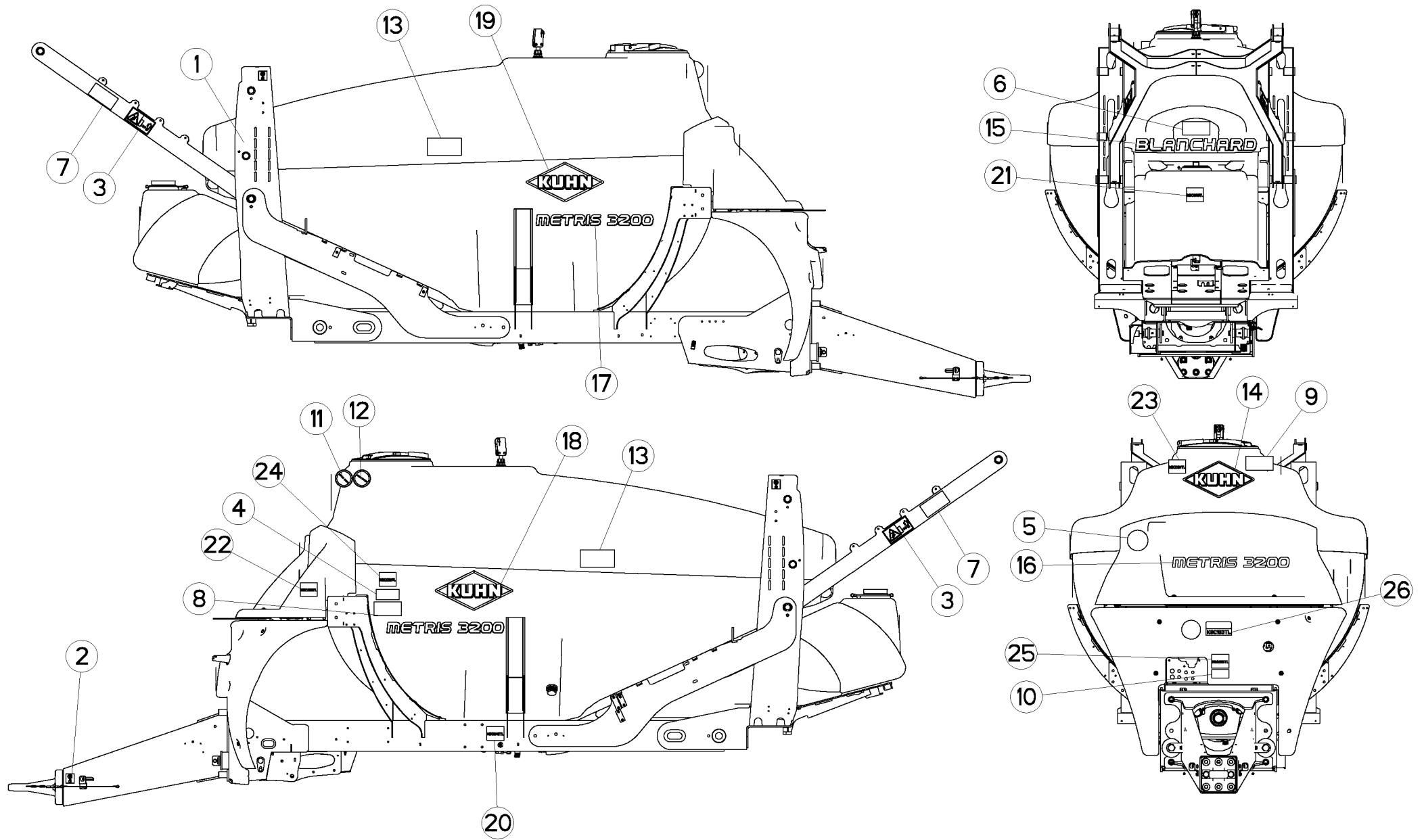
SIGNALISATION

SIGNALLING

BELEUCHTUNG U. WARNTAFELN

SEGNALAZIONE

Rep	Nr	Qt	Designation	Description	Bezeichnung	Referenza	Remarque - Remark - Bemerkung - Osservazioni
001	83240010	002	CATADIOPTRE	REFLECTOR	RUECKSTRAHLER	CATADIOTTRO	
002	83240014	006	CATADIOPTRE	REFLECTOR	RUECKSTRAHLER	CATADIOTTRO	





METRIS

G40R0298 C

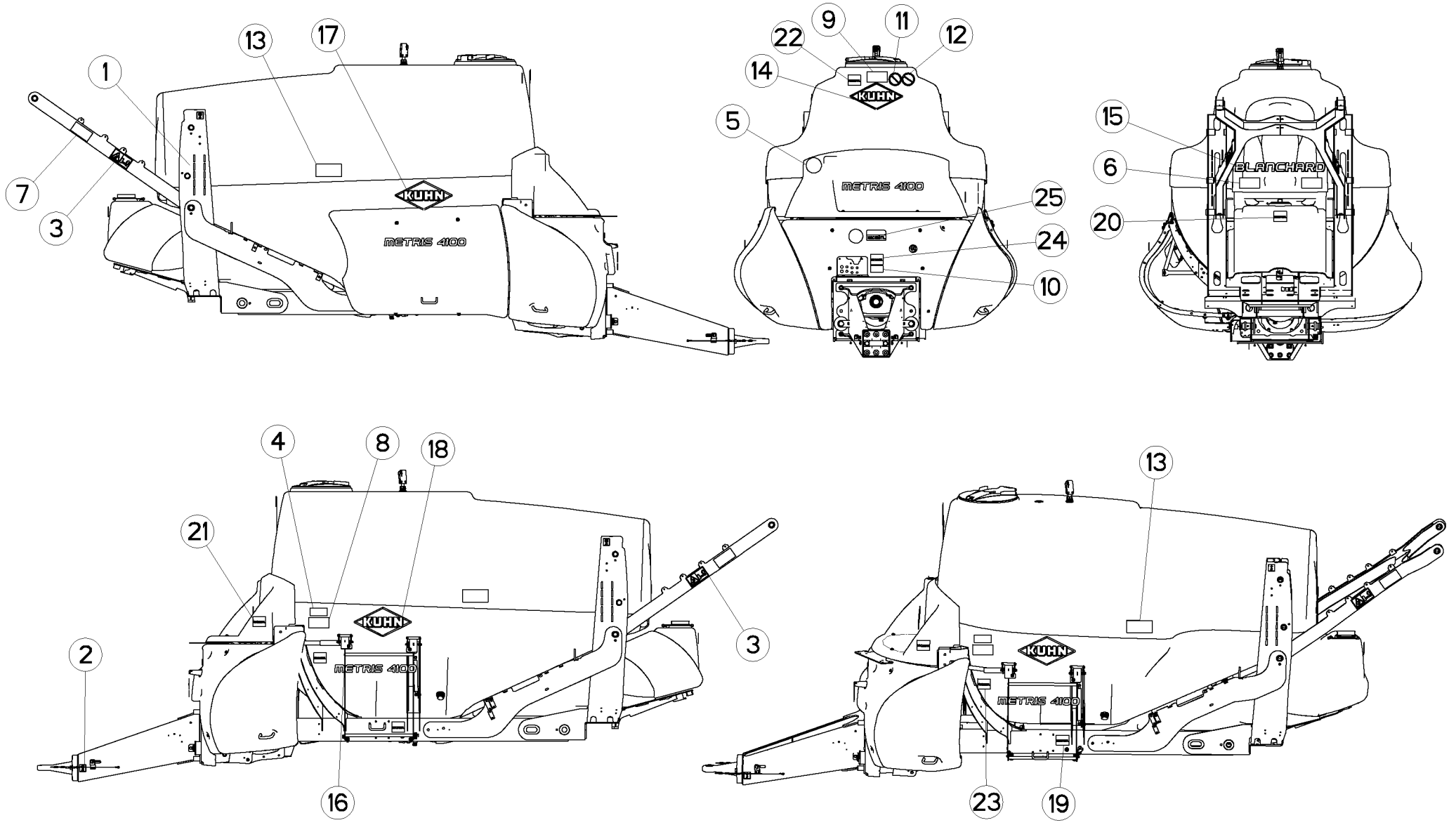
COLL.ETIQUETTES ADHESIVES 3200

SET OF STICKERS 3200 SIMPLIFIE

SATZ AUFKLEBER 3200 SIMPLIFIE

SERIE ADESIVI 3200 SIMPLIFIE

Rep	Nr	Qt	Designation	Description	Bezeichnung	Referenza	Remarque - Remark - Bemerkung - Osservazioni
001	09905400	004	ETIQ.ADHESIVE IND.GRAISSEURS	TRANSFER	AUFKLEBER	ADESIVO	
002	09905510	003	ETIQ.ADHESIVE POINT DE LEVAGE	DECAL LIFTING POINT	AUFKLEBER ANSCHLAGPUNKT	ADESIVO	
003	59900600	002	PICTOGR.H ECRASEM.TORSE	PICTORIAL H CRUSH.DANG.TORSO	PIKTOGR.H QUETSCHGEF.BRUSTK	ADESIVO	
004	G0309600	001	ETIQ.ADH.	DECAL	AUFKLEBER	ADESIVO	
005	G0320250	001	ETIQ.ADH.	DECAL	AUFKLEBER	ADESIVO	
006	G0411401	001	PICTO.H	DECAL, SAFETY	PIKTOGR.H	ADESIVO	
007	G0411402	002	PICTO.H	DECAL, SAFETY	PIKTOGR.H	ADESIVO	
008	G0411403	001	PICTO.H	DECAL, SAFETY	PIKTOGR.H	ADESIVO	
009	G0411404	001	PICTO.H	DECAL, SAFETY	PIKTOGR.H	ADESIVO	
010	G0411405	001	PICTO.H	DECAL, SAFETY	PIKTOGR.H	ADESIVO	
011	G0411406	001	PICTO.H	DECAL, SAFETY	PIKTOGR.H	ADESIVO	
012	G0411407	001	PICTO.H	DECAL, SAFETY	PIKTOGR.H	ADESIVO	
013	G0411450	002	ETIQ.ADH.	DECAL	AUFKLEBER	ADESIVO	
014	K9500120	001	LOGO KUHN 414R BLANC/ROUGE	LOGO KUHN 414R	LOGO KUHN 414R	LOGO KUHN 414R ROSSO-BIANCO	
015	K9508150	001	ETIQ.ADH.	DECAL	AUFKLEBER	ADESIVO	
016	K9510510	001	ETIQ.ADH.	DECAL	AUFKLEBER	ADESIVO	
017	K9510520	002	ETIQ.ADH.	DECAL	AUFKLEBER	ADESIVO	
018	K9530400	001	ETIQ.ADH.	DECAL	AUFKLEBER	ADESIVO	
019	K9530410	001	ETIQ.ADH.	DECAL	AUFKLEBER	ADESIVO	
020	K9C012TL	001	PICTO.T VANNE DE VIDANGE	DECAL, SAFETY	PIKTOGR	ADESIVO	
021	K9C078TL	001	PICTO.T	DECAL	PIKTOGR.T	ADESIVO	
022	K9C080TL	001	PICTO.T	DECAL	PIKTOGR.T	ADESIVO	
023	K9C081TL	001	PICTO.T	DECAL	PIKTOGR.T	ADESIVO	
024	K9C082TL	001	PICTO.T	DECAL	PIKTOGR.T	ADESIVO	
025	K9C083TL	001	PICTO.T	DECAL	PIKTOGR.T	ADESIVO	
026	K9C183TL	001	PICTO.T VANNE REGULATION	DECAL, SAFETY	PIKTOGR	ADESIVO	





METRIS

G40R0299 C

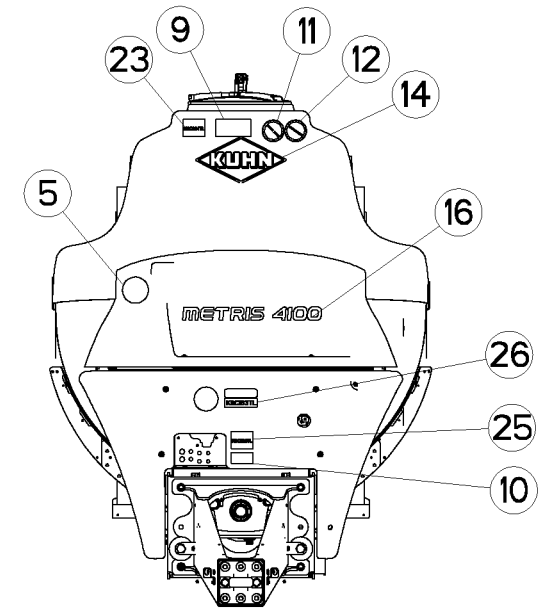
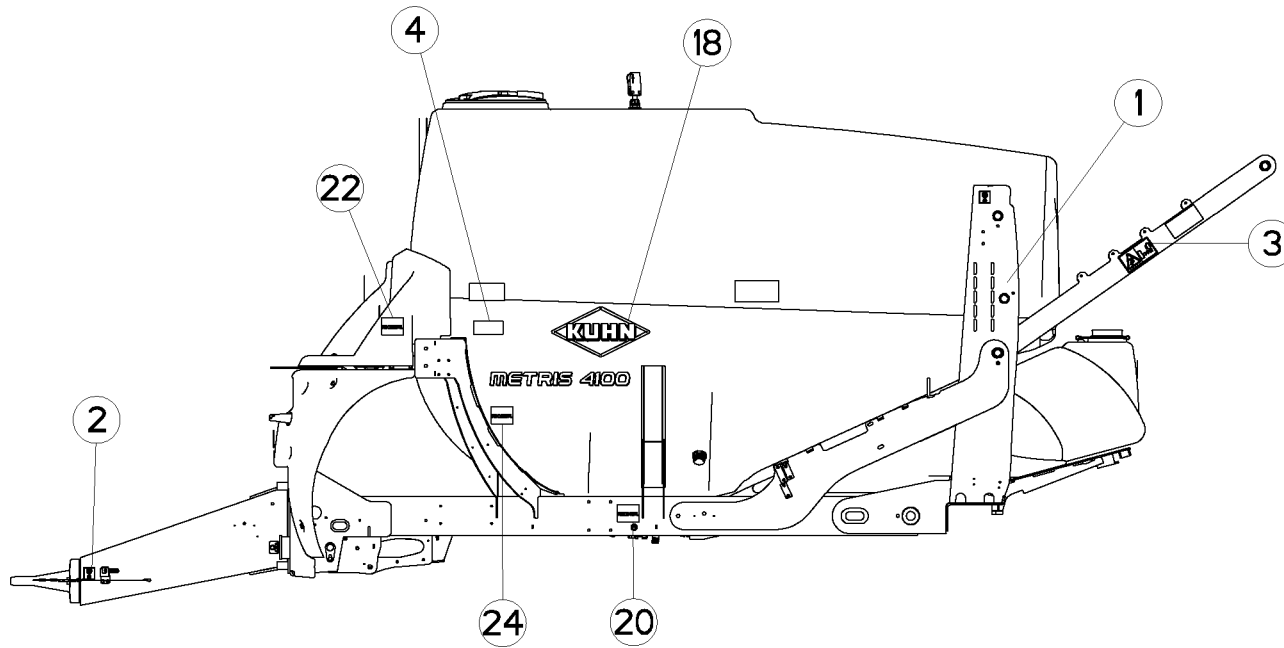
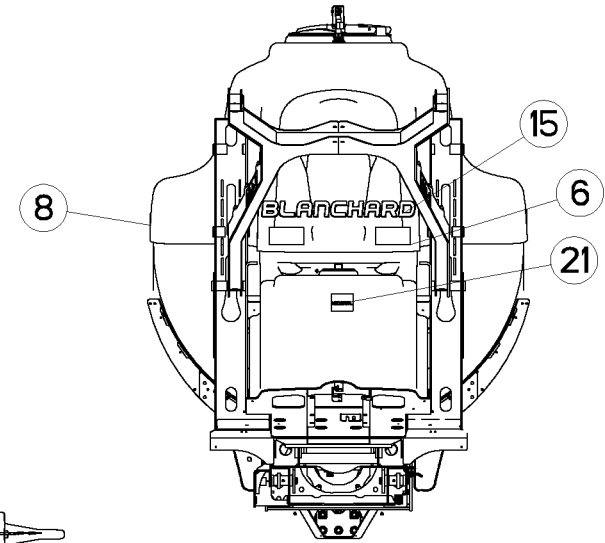
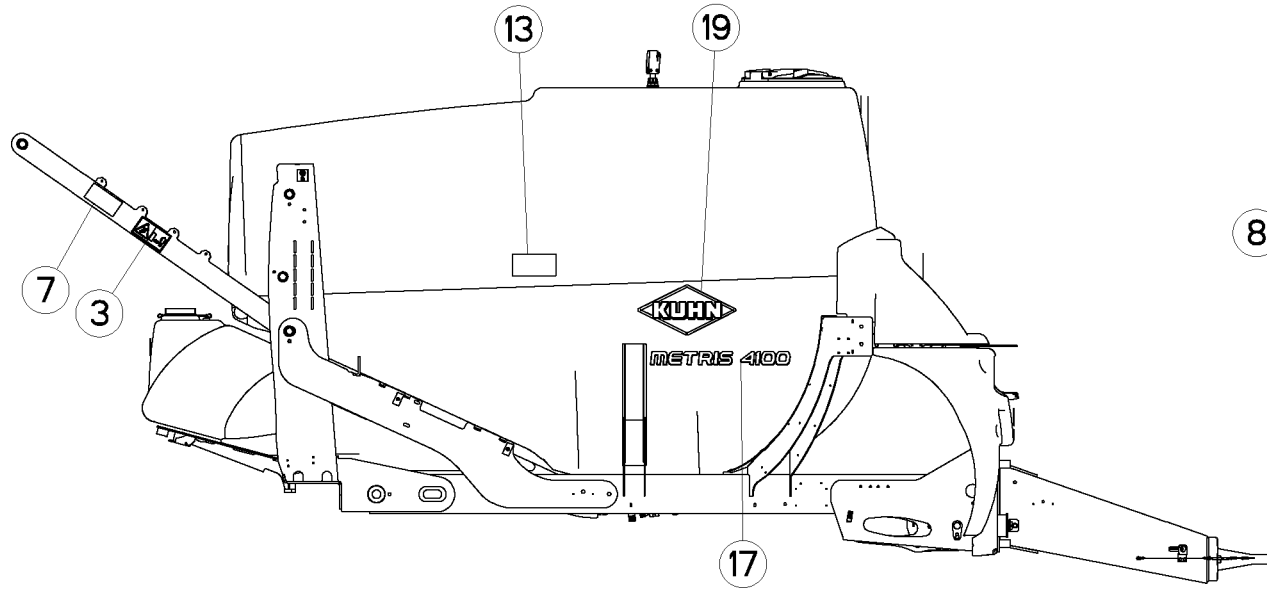
COLL.ETIQUETTES ADHESIVES 4100

SET OF STICKERS 4100 COMPLET

SATZ AUFKLEBER 4100 COMPLET

SERIE ADESIVI 4100 COMPLET

Rep	Nr	Qt	Designation	Description	Bezeichnung	Referenza	Remarque - Remark - Bemerkung - Osservazioni
001	09905400	004	ETIQ.ADHESIVE IND.GRAISSEURS	TRANSFER	AUFKLEBER	ADESIVO	
002	09905510	003	ETIQ.ADHESIVE POINT DE LEVAGE	DECAL LIFTING POINT	AUFKLEBER ANSCHLAGPUNKT	ADESIVO	
003	59900600	002	PICTOGR.H ECRASEM.TORSE	PICTORIAL H CRUSH.DANG.TORSO	PIKTOGR.H QUETSCHGEF.BRUSTK	ADESIVO	
004	G0309600	001	ETIQ.ADH.	DECAL	AUFKLEBER	ADESIVO	
005	G0320250	001	ETIQ.ADH.	DECAL	AUFKLEBER	ADESIVO	
006	G0411401	002	PICTO.H	DECAL, SAFETY	PIKTOGR.H	ADESIVO	
007	G0411402	002	PICTO.H	DECAL, SAFETY	PIKTOGR.H	ADESIVO	
008	G0411403	001	PICTO.H	DECAL, SAFETY	PIKTOGR.H	ADESIVO	
009	G0411404	001	PICTO.H	DECAL, SAFETY	PIKTOGR.H	ADESIVO	
010	G0411405	001	PICTO.H	DECAL, SAFETY	PIKTOGR.H	ADESIVO	
011	G0411406	001	PICTO.H	DECAL, SAFETY	PIKTOGR.H	ADESIVO	
012	G0411407	001	PICTO.H	DECAL, SAFETY	PIKTOGR.H	ADESIVO	
013	G0411450	002	ETIQ.ADH.	DECAL	AUFKLEBER	ADESIVO	
014	K9500120	001	LOGO KUHN 414R BLANC/ROUGE	LOGO KUHN 414R	LOGO KUHN 414R	LOGO KUHN 414R ROSSO-BIANCO	
015	K9508150	001	ETIQ.ADH.	DECAL	AUFKLEBER	ADESIVO	
016	K9510490	003	ETIQ.ADH.	DECAL	AUFKLEBER	ADESIVO	
017	K9530400	001	ETIQ.ADH.	DECAL	AUFKLEBER	ADESIVO	
018	K9530410	001	ETIQ.ADH.	DECAL	AUFKLEBER	ADESIVO	
019	K9C012TL	001	PICTO.T VANNE DE VIDANGE	DECAL, SAFETY	PIKTOGR	ADESIVO	
020	K9C078TL	001	PICTO.T	DECAL	PIKTOGR.T	ADESIVO	
021	K9C080TL	001	PICTO.T	DECAL	PIKTOGR.T	ADESIVO	
022	K9C081TL	001	PICTO.T	DECAL	PIKTOGR.T	ADESIVO	
023	K9C082TL	001	PICTO.T	DECAL	PIKTOGR.T	ADESIVO	
024	K9C083TL	001	PICTO.T	DECAL	PIKTOGR.T	ADESIVO	
025	K9C183TL	001	PICTO.T VANNE REGULATION	DECAL, SAFETY	PIKTOGR	ADESIVO	





METRIS

G40R0300 C

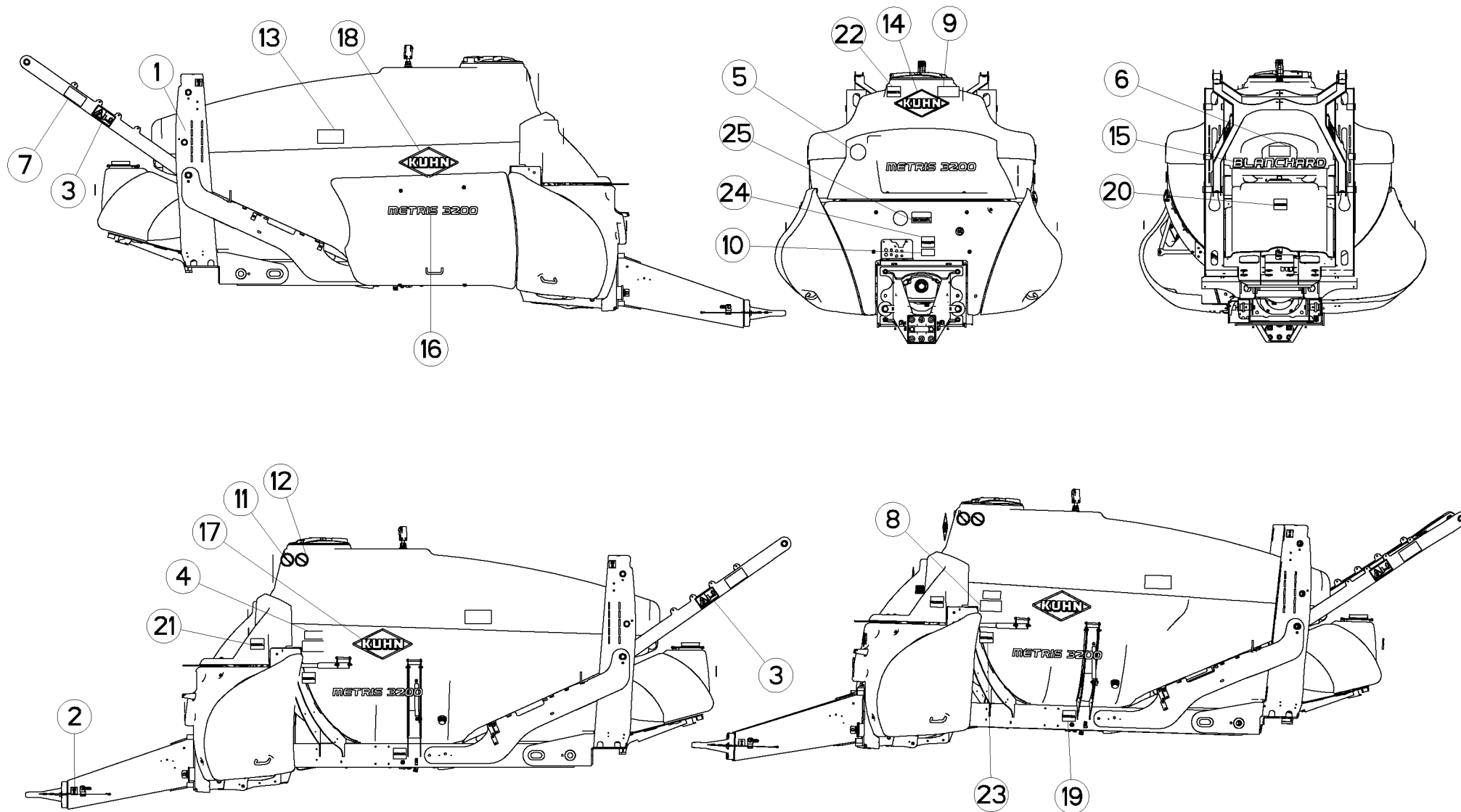
COLL.ETIQUETTES ADHESIVES 4100

SET OF STICKERS 4100 SIMPLIFIE

SATZ AUFKLEBER 4100 SIMPLIFIE

SERIE ADESIVI 4100 SIMPLIFIE

Rep	Nr	Qt	Designation	Description	Bezeichnung	Referenza	Remarque - Remark - Bemerkung - Osservazioni
001	09905400	004	ETIQ.ADHESIVE IND.GRAISSEURS	TRANSFER	AUFKLEBER	ADESIVO	
002	09905510	003	ETIQ.ADHESIVE POINT DE LEVAGE	DECAL LIFTING POINT	AUFKLEBER ANSCHLAGPUNKT	ADESIVO	
003	59900600	002	PICTOGR.H ECRASEM.TORSE	PICTORIAL H CRUSH.DANG.TORSO	PIKTOGR.H QUETSCHGEF.BRUSTK	ADESIVO	
004	G0309600	001	ETIQ.ADH.	DECAL	AUFKLEBER	ADESIVO	
005	G0320250	001	ETIQ.ADH.	DECAL	AUFKLEBER	ADESIVO	
006	G0411401	002	PICTO.H	DECAL, SAFETY	PIKTOGR.H	ADESIVO	
007	G0411402	002	PICTO.H	DECAL, SAFETY	PIKTOGR.H	ADESIVO	
008	G0411403	001	PICTO.H	DECAL, SAFETY	PIKTOGR.H	ADESIVO	
009	G0411404	001	PICTO.H	DECAL, SAFETY	PIKTOGR.H	ADESIVO	
010	G0411405	001	PICTO.H	DECAL, SAFETY	PIKTOGR.H	ADESIVO	
011	G0411406	001	PICTO.H	DECAL, SAFETY	PIKTOGR.H	ADESIVO	
012	G0411407	001	PICTO.H	DECAL, SAFETY	PIKTOGR.H	ADESIVO	
013	G0411450	002	ETIQ.ADH.	DECAL	AUFKLEBER	ADESIVO	
014	K9500120	001	LOGO KUHN 414R BLANC/ROUGE	LOGO KUHN 414R	LOGO KUHN 414R	LOGO KUHN 414R ROSSO-BIANCO	
015	K9508150	001	ETIQ.ADH.	DECAL	AUFKLEBER	ADESIVO	
016	K9510490	001	ETIQ.ADH.	DECAL	AUFKLEBER	ADESIVO	
017	K9510500	002	ETIQ.ADH.	DECAL	AUFKLEBER	ADESIVO	
018	K9530400	001	ETIQ.ADH.	DECAL	AUFKLEBER	ADESIVO	
019	K9530410	001	ETIQ.ADH.	DECAL	AUFKLEBER	ADESIVO	
020	K9C012TL	001	PICTO.T VANNE DE VIDANGE	DECAL, SAFETY	PIKTOGR	ADESIVO	
021	K9C078TL	001	PICTO.T	DECAL	PIKTOGR.T	ADESIVO	
022	K9C080TL	001	PICTO.T	DECAL	PIKTOGR.T	ADESIVO	
023	K9C081TL	001	PICTO.T	DECAL	PIKTOGR.T	ADESIVO	
024	K9C082TL	001	PICTO.T	DECAL	PIKTOGR.T	ADESIVO	
025	K9C083TL	001	PICTO.T	DECAL	PIKTOGR.T	ADESIVO	
026	K9C183TL	001	PICTO.T VANNE REGULATION	DECAL, SAFETY	PIKTOGR	ADESIVO	





METRIS

G40R0301 D

COLL.ETIQUETTES ADHESIVES 3200

SET OF STICKERS 3200 COMPLET

SATZ AUFKLEBER 3200 COMPLET

SERIE ADESIVI 3200 COMPLET

Rep	Nr	Qt	Designation	Description	Bezeichnung	Referenza	Remarque - Remark - Bemerkung - Osservazioni
001	09905400	004	ETIQ.ADHESIVE IND.GRAISSEURS	TRANSFER	AUFKLEBER	ADESIVO	
002	09905510	003	ETIQ.ADHESIVE POINT DE LEVAGE	DECAL LIFTING POINT	AUFKLEBER ANSCHLAGPUNKT	ADESIVO	
003	59900600	002	PICTOGR.H ECRASEM.TORSE	PICTORIAL H CRUSH.DANG.TORSO	PIKTOGR.H QUETSCHGEF.BRUSTK	ADESIVO	
004	G0309600	001	ETIQ.ADH.	DECAL	AUFKLEBER	ADESIVO	
005	G0320250	001	ETIQ.ADH.	DECAL	AUFKLEBER	ADESIVO	
006	G0411401	001	PICTO.H	DECAL, SAFETY	PIKTOGR.H	ADESIVO	
007	G0411402	002	PICTO.H	DECAL, SAFETY	PIKTOGR.H	ADESIVO	
008	G0411403	001	PICTO.H	DECAL, SAFETY	PIKTOGR.H	ADESIVO	
009	G0411404	001	PICTO.H	DECAL, SAFETY	PIKTOGR.H	ADESIVO	
010	G0411405	001	PICTO.H	DECAL, SAFETY	PIKTOGR.H	ADESIVO	
011	G0411406	001	PICTO.H	DECAL, SAFETY	PIKTOGR.H	ADESIVO	
012	G0411407	001	PICTO.H	DECAL, SAFETY	PIKTOGR.H	ADESIVO	
013	G0411450	002	ETIQ.ADH.	DECAL	AUFKLEBER	ADESIVO	
014	K9500120	001	LOGO KUHN 414R BLANC/ROUGE	LOGO KUHN 414R	LOGO KUHN 414R	LOGO KUHN 414R ROSSO-BIANCO	
015	K9508150	001	ETIQ.ADH.	DECAL	AUFKLEBER	ADESIVO	
016	K9510510	003	ETIQ.ADH.	DECAL	AUFKLEBER	ADESIVO	
017	K9530400	001	ETIQ.ADH.	DECAL	AUFKLEBER	ADESIVO	
018	K9530410	001	ETIQ.ADH.	DECAL	AUFKLEBER	ADESIVO	
019	K9C012TL	001	PICTO.T VANNE DE VIDANGE	DECAL, SAFETY	PIKTOGR	ADESIVO	
020	K9C078TL	001	PICTO.T	DECAL	PIKTOGR.T	ADESIVO	
021	K9C080TL	001	PICTO.T	DECAL	PIKTOGR.T	ADESIVO	
022	K9C081TL	001	PICTO.T	DECAL	PIKTOGR.T	ADESIVO	
023	K9C082TL	001	PICTO.T	DECAL	PIKTOGR.T	ADESIVO	
024	K9C083TL	001	PICTO.T	DECAL	PIKTOGR.T	ADESIVO	
025	K9C183TL	001	PICTO.T VANNE REGULATION	DECAL, SAFETY	PIKTOGR	ADESIVO	



INDEX NUMERIQUE - NUMERICAL INDEX

TEILENUMMERN-INDEX - INDICE NUMERICO

Nr	Page	Rep.	Nr	Page	Rep.	Nr	Page	Rep.	Nr	Page	Rep.	Nr	Page	Rep.	Nr	Page	Rep.	Nr	Page	Rep.	Nr	Page	Rep.
A4050050	381	008	A4074001	409	008	A4080487	427	002	A4082420	089	012	A4920134	387	021	A4920161	425	003	A4921170	385	007	A7040473	111	018
A4050051	381	009	A4074017	385	002	A4080487	429	002	A4082420	101	009	A4920134	389	005	A4920164	429	003	A4923123	329	014	A7040473	123	015
A4050052	381	010	A4074018	379	005	A4080487	431	002	A4082421	331	001	A4920134	391	005	A4920165	429	004	A4923127	333	023	A7181002	101	015
A4050053	381	011	A4074046	379	006	A4080487	433	002	A4082422	329	013	A4920134	411	003	A4920166	427	003	A4923139	097	012	A7181166	095	009
A4060668	087	006	A4074046	385	003	A4080487	435	002	A4082422	333	022	A4920134	419	007	A4920169	427	004	A4923140	379	011	A7181166	097	013
A4060668	089	008	A4075005	121	011	A4080487	437	002	A4082422	335	013	A4920134	421	007	A4920171	387	024	A4923141	379	012	A7181167	095	010
A4060668	163	005	A4075005	129	014	A4080488	031	017	A4082422	397	019	A4920135	151	012	A4920171	413	013	A4923169	397	020	A7181167	097	014
A4060668	383	005	A4075005	409	009	A4080488	033	002	A4082422	401	019	A4920135	389	006	A4920171	419	009	A4923170	335	014	A7240006	035	017
A4060668	409	006	A4079027	379	007	A4080488	101	008	A4082430	379	010	A4920135	391	006	A4920171	431	003	A4923171	401	020	A7260024	101	016
A4060672	387	012	A4080319	173	010	A4080488	121	013	A4082713	101	010	A4920135	403	012	A4920171	433	003	A4923178	379	013	A7260024	111	019
A4060672	403	005	A4080319	197	010	A4080488	129	016	A4082713	163	010	A4920135	405	012	A4920172	431	004	A4923179	379	014	A7260024	121	019
A4060672	405	005	A4080319	409	010	A4080488	151	007	A4082713	387	018	A4920136	159	007	A4920172	433	004	A6000080	175	023	A7260024	123	016
A4060672	421	001	A4080320	087	008	A4080488	163	008	A4082713	403	010	A4920138	149	008	A4920173	435	003	A6000080	185	022	A7260024	129	022
A4061517	173	009	A4080320	089	010	A4080488	173	011	A4082713	405	010	A4920139	145	016	A4920174	435	004	A6000080	195	022	A7260029	369	013
A4061517	197	009	A4080320	097	010	A4080488	197	011	A4082713	409	016	A4920139	161	013	A4920188	173	012	A6000080	201	028	A7260029	373	013
A4061832	101	005	A4080320	101	006	A4080488	383	008	A4082713	411	002	A4920139	387	022	A4920188	197	012	A6000080	205	013	A7260030	031	019
A4061832	383	006	A4080320	385	004	A4080488	387	017	A4082713	413	009	A4920139	389	007	A4920188	387	025	A6000080	207	012	A7260031	095	011
A4061832	403	006	A4080321	379	008	A4080488	403	009	A4082713	421	005	A4920139	391	007	A4920188	389	008	A6000080	211	012	A7260031	097	015
A4061832	405	006	A4080448	163	006	A4080488	405	009	A4082715	383	013	A4920139	393	003	A4920188	391	008	A6000080	235	015	A7260032	439	022
A4061832	409	007	A4080487	101	007	A4080488	409	012	A4082715	409	017	A4920139	395	003	A4920188	403	014	A6000080	347	036	A7260040	031	020
A4070053	381	012	A4080487	111	014	A4080488	413	008	A4083114	147	015	A4920139	403	013	A4920188	405	014	A6000080	349	039	A7260042	145	019
A4071217	381	013	A4080487	121	012	A4080488	419	004	A4083114	387	019	A4920139	405	013	A4920188	413	014	A6000250	269	013	A7260042	147	018
A4071309	387	013	A4080487	123	011	A4080488	421	004	A4083114	389	004	A4920139	417	005	A4920188	419	010	A6000260	307	015	A7260042	161	016
A4071309	419	003	A4080487	129	015	A4080496	379	009	A4083114	391	004	A4920139	419	008	A4920189	163	015	A6000342	269	003	A7260061	349	040
A4071365	087	007	A4080487	145	015	A4080497	383	009	A4083114	403	011	A4920139	421	008	A4920189	387	026	A6000420	267	007	A7260070	357	006
A4071365	089	009	A4080487	147	014	A4080497	409	013	A4083114	405	011	A4920140	151	013	A4920189	413	015	A6000596	269	008	A7260070	361	010
A4072042	145	014	A4080487	149	007	A4080529	111	015	A4083114	413	010	A4920140	163	014	A4920189	419	011	A620243	353	011	A8544001	117	012
A4072042	147	013	A4080487	151	006	A4080529	121	014	A4083114	419	005	A4920140	387	023	A4920191	151	014	A620953	203	002	A8544001	119	013
A4072042	149	006	A4080487	159	006	A4080529	123	012	A4083114	421	006	A4920140	413	012	A4920191	163	016	A620955	203	031	B0000119	203	038
A4072042	159	005	A4080487	161	012	A4080529	129	017	A4083209	163	011	A4920141	031	018	A4920193	101	012	A621821	289	005	B0000783	269	010
A4072042	161	011	A4080487	163	007	A4080529	151	008	A4083209	387	020	A4920142	145	017	A4920194	383	015	A621962	203	017	FLA1637A	043	014
A4072042	387	014	A4080487	383	007	A4080529	163	009	A4083209	413	011	A4920142	147	016	A4920194	409	021	A621963	203	019	G00003TL	089	021
A4072042	421	002	A4080487	387	016	A4080529	383	010	A4083209	415	003	A4920142	161	014	A4920215	425	004	A622298	267	006	G0088600	289	006
A4072042	425	001	A4080487	389	003	A4080530	383	011	A4083209	419	006	A4920142	383	014	A4920220	437	003	A7039044	113	027	G0088600	439	024
A4072042	427	001	A4080487	391	003	A4080530	409	014	A4090408	151	009	A4920143	145	018	A4920221	437	004	A7039044	115	022	G0151520	331	002
A4072042	429	001	A4080487	393	002	A4080531	121	015	A4090408	399	003	A4920143	147	017	A4920222	409	022	A7039044	125	029	G0151550	383	016
A4072042	431	001	A4080487	395	002	A4080531	129	018	A4090408	409	018	A4920143	161	015	A4920224	409	023	A7039044	127	034	G0151550	409	024
A4072043	389	002	A4080487	399	002	A4081313	121	016	A4101093	381	014	A4920148	111	016	A4921158	101	013	A7039049	117	009	G0166620	289	007
A4072043	391	002	A4080487	403	008	A4081313	129	019	A4230017	151	010	A4920148	121	017	A4921159	101	014	A7039049	119	010	G0173000	285	009
A4072043	403	007	A4080487	405	008	A4082417	097	011	A4230017	163	012	A4920148	123	013	A4921159	385	006	A7039168	117	010	G0173000	287	011
A4072043	405	007	A4080487	409	011	A4082418	087	009	A4230017	399	004	A4920148	129	020	A4921166	087	011	A7039168	119	011	G0173000	363	017
A4072043	433	001	A4080487	411	001	A4082418	089	011	A4230017	409	019	A4920149	101	011	A4921166	089	013	A7039171	117	011	G0173400	235	016
A4072043	435	001	A4080487	417	004	A4082418	383	012	A4230021	151	011	A4920151	111	017	A4921167	087	012	A7039171	119	012	G0173400	281	016
A4072043	437	001	A4080487	421	003	A4082418	385	005	A4230021	163	013	A4920151	121	018	A4921167	089	014	A7039175	133	006	G0173400	283	010
A4073042	387	015	A4080487	423	001	A4082418	409	015	A4230021	399	005	A4920151	123	014	A4921168	087	013	A7039175	135	005	G0173400	439	025
A4073042	413	007	A4080487	425	002	A4082420	087	010	A4230021	409	020	A4920151	129	021	A4921168	089	015	A7040401	381	015	G0173900	321	005



INDEX NUMERIQUE - NUMERICAL INDEX

TEILENUMMERN-INDEX - INDICE NUMERICO

Nr	Page	Rep.	Nr	Page	Rep.	Nr	Page	Rep.	Nr	Page	Rep.	Nr	Page	Rep.	Nr	Page	Rep.	Nr	Page	Rep.	Nr	Page	Rep.
G0175920	445	002	G0268562	297	005	G0396410	301	004	G0411401	451	006	G0425920	327	015	G0445350	171	010	G0465400	387	027	G0470041	149	011
G0225530	259	027	G0269825	377	016	G0396410	303	004	G0411401	453	006	G0426604	305	004	G0445500	183	001	G0465400	411	004	G0470059	139	010
G0225530	277	011	G0271200	183	003	G0397110	309	001	G0411401	455	006	G0427020	163	018	G0446000	179	003	G0465600	347	037	G0470059	141	010
G0225530	279	011	G0271200	193	015	G0397115	309	012	G0411402	449	007	G0437990	095	012	G0446000	181	004	G0465600	349	041	G0470059	157	010
G0225530	281	017	G0271350	183	002	G0397120	309	002	G0411402	451	007	G0437990	097	016	G0446000	197	014	G0466108	315	002	G0470080	155	008
G0225530	361	011	G0271350	193	014	G0397130	309	003	G0411402	453	007	G0437990	331	003	G0446001	183	007	G0466121	315	005	G0470108	139	011
G0225530	363	018	G0271410	193	013	G0397140	309	004	G0411402	455	007	G0439610	333	024	G0446001	193	024	G0466122	315	014	G0470108	141	011
G0225530	369	014	G0271800	193	001	G0397150	309	005	G0411403	449	008	G0439610	397	022	G0446002	183	012	G0466123	299	014	G0470108	157	011
G0225530	373	014	G0271801	193	025	G0397185	309	013	G0411403	451	008	G0439610	401	022	G0446003	183	023	G0466123	315	016	G0470331	163	019
G0225530	439	026	G0272000	193	002	G0397191	309	009	G0411403	453	008	G0440000	333	025	G0447300	289	011	G0466124	299	013	G0500010	133	008
G0235050	083	015	G0272100	193	003	G0397192	309	006	G0411403	455	008	G0440000	397	023	G0447650	151	016	G0466124	315	015	G0500010	135	006
G0235090	077	015	G0272350	183	011	G0398400	439	027	G0411404	449	009	G0440000	401	023	G0447650	383	018	G0466125	315	017	G0500020	133	009
G0235090	079	015	G0272350	193	023	G0399400	281	019	G0411404	451	009	G0441420	377	018	G0449832	307	003	G0468910	309	008	G0500030	133	010
G0236127	145	020	G0272400	183	006	G0400900	203	012	G0411404	453	009	G0445213	099	001	G0449833	307	004	G0469900	329	015	G0500040	135	007
G0236127	147	019	G0273900	183	016	G0400910	203	003	G0411404	455	009	G0445213	331	004	G0449834	307	005	G0469900	333	026	G0520302	159	010
G0236127	149	009	G0273900	193	017	G0402350	361	012	G0411405	449	010	G0445215	095	013	G0449837	307	008	G0469900	335	015	G0540500	331	006
G0236127	159	008	G0274000	183	017	G0404500	203	037	G0411405	451	010	G0445217	099	002	G0449838	307	009	G0469900	397	024	G0542710	205	014
G0236127	161	017	G0274000	193	016	G0404501	203	034	G0411405	453	010	G0445218	099	003	G0449839	307	010	G0469900	401	024	G0542710	207	013
G0237900	201	029	G0274800	183	008	G0404530	203	035	G0411405	455	010	G0445226	095	014	G0449840	307	011	G0469930	331	005	G0542710	209	012
G0237900	203	042	G0277772	113	005	G0405310	289	010	G0411406	449	011	G0445226	097	017	G0449841	307	012	G0470003	137	010	G0542710	211	013
G0237900	397	021	G0277772	119	014	G0405923	269	009	G0411406	451	011	G0445261	095	015	G0450035	439	029	G0470003	139	004	G0542720	205	015
G0237900	401	021	G0277772	133	007	G0405926	269	006	G0411406	453	011	G0445261	097	018	G0450090	019	003	G0470003	141	004	G0542720	207	014
G0237905	203	041	G0288650	177	004	G0405928	269	004	G0411406	455	011	G0445262	097	019	G0450282	171	005	G0470003	151	017	G0542720	209	013
G0237907	203	010	G0288650	191	005	G0405941	269	020	G0411407	449	012	G0445263	097	020	G0457900	087	014	G0470003	155	006	G0542720	211	014
G0237908	203	011	G0291010	235	017	G0408310	187	010	G0411407	451	012	G0445265	095	016	G0457900	089	016	G0470003	157	003	G0542807	137	013
G0237910	203	001	G0291010	281	018	G0409800	193	004	G0411407	453	012	G0445265	097	021	G0458340	111	022	G0470006	139	005	G0542807	139	012
G0237912	203	044	G0291010	363	019	G0409810	193	005	G0411407	455	012	G0445266	097	022	G0458340	121	021	G0470006	141	005	G0542807	141	012
G0237914	203	027	G0291010	377	017	G0409811	193	020	G0411450	449	013	G0445267	095	017	G0458340	123	019	G0470006	157	004	G0542807	151	020
G0237915	203	028	G0309600	449	004	G0409812	193	021	G0411450	451	013	G0445267	097	023	G0458340	129	024	G0470007	137	011	G0542807	155	009
G0237916	203	013	G0309600	451	004	G0409813	193	022	G0411450	453	013	G0445272	095	018	G0458365	017	010	G0470007	139	006	G0542807	157	012
G0237920	203	033	G0309600	453	004	G0409814	183	014	G0411450	455	013	G0445272	097	024	G0458365	085	008	G0470007	141	006	G0542826	157	013
G0237922	203	009	G0309600	455	004	G0409818	183	010	G0411600	111	021	G0445275	095	019	G0458365	111	023	G0470007	151	018	G0542890	139	013
G0237924	203	006	G0320240	291	004	G0409818	193	009	G0411600	123	018	G0445275	097	025	G0458365	121	022	G0470007	155	007	G0542890	141	013
G0237925	203	040	G0320240	293	003	G0409819	183	009	G0411610	381	016	G0445276	095	020	G0458365	123	020	G0470007	157	005	G0542896	139	014
G0237927	203	030	G0320240	295	004	G0409819	193	010	G0411880	281	020	G0445276	097	026	G0458365	129	025	G0470015	137	012	G0546010	157	014
G0237930	203	032	G0320250	449	005	G0409820	193	011	G0412620	369	015	G0445276	099	004	G0458394	085	009	G0470023	139	007	G0546015	141	014
G0237940	203	024	G0320250	451	005	G0409821	193	012	G0412620	373	015	G0445277	095	021	G0460020	269	011	G0470023	141	007	G0546015	157	015
G0237950	203	043	G0320250	453	005	G0409824	193	007	G0418800	031	021	G0445277	097	027	G0460024	307	014	G0470023	157	006	G0546050	143	005
G0239520	377	015	G0320250	455	005	G0409827	183	019	G0418910	171	011	G0445277	099	005	G0460140	269	005	G0470026	151	019	G0546051	143	006
G0252810	383	017	G0370013	153	005	G0409827	199	003	G0420810	173	013	G0445278	095	022	G0460141	269	012	G0470028	139	008	G0546062	163	020
G0252820	111	020	G0370030	153	006	G0409828	183	018	G0420810	197	013	G0445278	097	028	G0460142	269	014	G0470028	141	008	G0546201	361	013
G0252820	121	020	G0382920	289	008	G0409829	183	020	G0421400	183	022	G0445279	095	023	G0461030	439	030	G0470028	157	007	G0546202	361	014
G0252820	123	017	G0382960	289	009	G0410150	201	030	G0422950	403	015	G0445279	097	029	G0461031	441	002	G0470037	157	008	G0546203	357	007
G0252820	129	023	G0389008	441	001	G0410150	237	022	G0422950	405	015	G0445280	095	024	G0462220	143	004	G0470038	139	009	G0546203	359	009
G0252820	151	015	G0389010	441	001	G0410150	239	023	G0425900	031	022	G0445280	097	030	G0462360	111	024	G0470038	141	009	G0546203	361	015
G0252820	163	017	G0389012	441	001	G0410150	241	022	G0425900	439	028	G0445280	099	006	G0462360	121	023	G0470038	157	009	G0546204	361	016
G0252998	399	006	G0389018	441	001	G0410150	245	021	G0425906	091	008	G0445281	095	025	G0462360	123	021	G0470040	149	010	G0546205	361	017
G0268420	171	006	G0389020	441	001	G0411401	449	006	G0425912	027	004	G0445281	097	031	G0462360	129	026	G0470040	159	009	G0546233	237	023



INDEX NUMERIQUE - NUMERICAL INDEX

TEILENUMMERN-INDEX - INDICE NUMERICO

Nr	Page	Rep.	Nr	Page	Rep.	Nr	Page	Rep.	Nr	Page	Rep.	Nr	Page	Rep.	Nr	Page	Rep.	Nr	Page	Rep.	Nr	Page	Rep.
G0546233	239	024	G0546488	135	017	G0547402	311	002	G0693062	333	029	G0855669	165	006	G0861561	357	008	G4000960	041	004	G4002220	345	013
G0546233	241	023	G0546489	135	018	G0547403	311	003	G0693062	335	018	G0855710	083	016	G0861561	359	010	G4000960	379	015	G4002230	341	013
G0546233	243	021	G0546492	133	023	G0547404	311	004	G0693062	397	027	G0855740	165	007	G0861562	361	018	G4000970	071	008	G4002240	341	014
G0546233	245	022	G0546492	135	019	G0547405	311	009	G0693062	401	027	G0855754	145	026	G0861593	167	008	G4000980	067	005	G4002240	345	014
G0546233	251	020	G0546494	133	024	G0547406	311	012	G0694000	297	006	G0855754	147	025	G0861594	167	009	G4000990	043	015	G4002250	341	015
G0546241	299	001	G0546494	135	020	G0547407	311	007	G0694591	375	008	G0855754	155	012	G0861595	077	018	G4001000	035	019	G4002320	055	008
G0546241	315	001	G0546495	133	025	G0547409	311	013	G0695052	173	015	G0855754	161	021	G0861595	079	018	G4001010	037	008	G4002380	059	008
G0546243	315	008	G0546495	135	021	G0547410	311	008	G0695052	197	015	G0855890	159	012	G1001650	053	007	G4001010	095	026	G4002510	355	011
G0546244	315	009	G0546496	133	026	G0547411	311	005	G0695056	329	019	G0855900	159	013	G3000860	257	006	G4001020	037	009	G4002780	025	005
G0546245	315	011	G0546496	135	022	G0547412	311	006	G0695056	335	019	G0855905	159	014	G3100100	387	029	G4001040	063	013	G4002790	111	025
G0546246	299	008	G0546497	133	027	G0547413	311	010	G0695081	439	031	G0855910	081	005	G3100100	413	016	G4001110	037	010	G4002790	121	024
G0546246	315	012	G0546497	135	023	G0547414	311	023	G0765879	183	021	G0860099	335	020	G3103180	255	005	G4001120	037	011	G4002790	123	022
G0546247	315	013	G0546498	133	028	G0547415	311	019	G0769192	137	014	G0860135	351	007	G3103180	257	007	G4001130	037	012	G4002790	129	027
G0546260	175	024	G0546498	135	024	G0547416	311	018	G0769196	137	015	G0860135	355	010	G3600170	163	021	G4001170	329	020	G4002800	109	001
G0546260	185	023	G0546499	133	029	G0547417	311	015	G0769197	081	004	G0860146	335	021	G3802043	163	022	G4001180	367	013	G4002800	113	006
G0546260	237	024	G0546499	135	025	G0547418	311	021	G0769437	259	030	G0860638	071	006	G4000220	101	017	G4001180	371	013	G4002810	109	002
G0546260	239	025	G0546617	133	030	G0547419	311	016	G0769637	149	012	G0860645	071	007	G4000220	145	027	G4001190	367	014	G4002820	033	005
G0546260	241	024	G0546617	135	026	G0547420	311	022	G0769637	159	011	G0860890	077	016	G4000220	161	022	G4001190	371	014	G4002840	113	007
G0546260	243	022	G0546618	133	031	G0547421	311	020	G0769638	145	021	G0860890	079	016	G4000220	391	009	G4001270	075	005	G4002840	115	005
G0546260	245	023	G0546618	135	027	G0547422	311	017	G0769638	147	020	G0860890	083	017	G4000220	393	004	G4001280	263	019	G4002840	125	008
G0546260	251	021	G0546620	133	032	G0547424	311	014	G0769638	161	018	G0860898	077	017	G4000220	403	017	G4001290	263	020	G4002840	127	008
G0546290	347	038	G0546620	135	028	G0548550	011	004	G0769645	149	013	G0860898	079	017	G4000220	405	017	G4001300	263	021	G4002850	113	008
G0546290	349	042	G0546628	107	002	G0548551	005	004	G0769655	145	022	G0860898	083	018	G4000230	387	030	G4001310	263	022	G4002850	115	006
G0546407	133	011	G0546638	107	003	G0548552	013	004	G0769655	147	021	G0860920	397	028	G4000230	389	009	G4001320	263	023	G4002850	125	009
G0546463	133	012	G0546639	107	004	G0548700	173	014	G0769655	161	019	G0860920	401	028	G4000230	395	004	G4001330	039	005	G4002850	127	009
G0546463	135	008	G0546666	119	015	G0548710	199	004	G0769659	145	023	G0860945	397	029	G4000230	417	006	G4001340	039	006	G4002860	115	007
G0546464	133	013	G0546670	179	002	G0549311	299	006	G0769659	147	022	G0860945	401	029	G4000250	155	013	G4001380	073	013	G4002900	107	005
G0546464	135	009	G0546680	179	001	G0549311	315	010	G0769659	161	020	G0861061	017	011	G4000550	151	021	G4001430	383	019	G4002920	121	025
G0546471	131	001	G0546680	181	002	G0549320	299	017	G0769674	137	016	G0861061	367	010	G4000550	163	023	G4001430	409	025	G4002920	123	023
G0546472	131	002	G0546680	189	001	G0549479	143	007	G0769675	137	017	G0861061	369	016	G4000630	105	012	G4001490	035	020	G4002930	121	026
G0546473	133	014	G0546680	329	016	G0553100	201	031	G0769675	155	010	G0861061	371	010	G4000640	023	010	G4001580	259	031	G4002930	123	024
G0546474	135	010	G0546680	335	016	G0555800	259	028	G0813020	381	017	G0861061	373	016	G4000650	015	005	G4001600	031	024	G4002980	125	010
G0546475	133	015	G0546701	313	001	G0555800	289	012	G0813021	381	018	G0861065	367	011	G4000650	027	005	G4001720	017	012	G4002990	127	010
G0546475	135	011	G0546702	313	002	G0560103	045	007	G0850196	085	010	G0861065	371	011	G4000660	023	011	G4001740	343	011	G4003010	127	011
G0546479	133	016	G0546703	313	003	G0560103	259	029	G0850199	085	011	G0861068	367	012	G4000690	065	001	G4001750	339	011	G4003110	191	006
G0546479	135	012	G0546704	313	004	G0692051	333	027	G0853289	099	007	G0861068	371	012	G4000710	051	004	G4001780	281	021	G4003140	091	009
G0546480	133	017	G0546706	313	006	G0692051	397	025	G0855539	155	011	G0861235	271	014	G4000720	061	005	G4001790	235	018	G4003200	077	020
G0546481	135	013	G0546707	313	007	G0692051	401	025	G0855550	149	014	G0861235	275	012	G4000730	055	007	G4001820	019	002	G4003200	083	020
G0546482	133	018	G0546708	313	008	G0692550	171	002	G0855558	149	015	G0861240	271	015	G4000730	059	007	G4001830	019	001	G4003210	079	020
G0546482	135	014	G0546709	313	009	G0692619	329	017	G0855560	153	007	G0861240	273	013	G4000740	047	005	G4001850	077	019	G4003220	103	006
G0546485	133	019	G0546710	313	010	G0692619	333	028	G0855570	153	008	G0861240	275	013	G4000770	025	004	G4001850	079	019	G4003350	053	008
G0546486	133	020	G0546711	313	011	G0692619	335	017	G0855579	145	024	G0861243	311	024	G4000800	033	003	G4001850	083	019	G4003420	009	005
G0546486	135	015	G0546712	313	012	G0692619	397	026	G0855579	147	023	G0861517	387	028	G4000810	033	004	G4002110	333	030	G4003770	327	016
G0546487	133	021	G0547352	139	015	G0692619	401	026	G0855580	145	025	G0861517	403	016	G4000830	029	007	G4002120	333	031	G4003800	327	017
G0546487	135	016	G0547352	141	015	G0693057	331	007	G0855580	147	024	G0861517	405	016	G4000830	031	023	G4002130	333	032	G4003880	065	002
G0546488	133	022	G0547401	311	001	G0693062	329	018	G0855560	165	005	G0861517	415	004	G4000891	035	018	G4002150	057	005	G4003890	063	014



INDEX NUMERIQUE - NUMERICAL INDEX

TEILENUMMERN-INDEX - INDICE NUMERICO

Nr	Page	Rep.	Nr	Page	Rep.	Nr	Page	Rep.	Nr	Page	Rep.	Nr	Page	Rep.	Nr	Page	Rep.	Nr	Page	Rep.	Nr	Page	Rep.
G4004190	111	026	G4102140	229	014	G4102680	227	017	G4103590	047	006	G4104700	113	012	G4106650	043	017	G4200150	341	017	G9000570	233	022
G4004220	111	027	G4102140	231	011	G4102680	229	017	G4103610	035	024	G4104700	115	011	G4106690	173	018	G4200160	345	016	G9000600	103	007
G4004270	353	012	G4102140	233	014	G4102680	231	014	G4103620	035	025	G4104700	125	013	G4106690	187	014	G4200170	259	032	G9000620	327	030
G4004280	353	013	G4102140	253	011	G4102680	233	017	G4103630	035	026	G4104700	127	014	G4106710	105	015	G9000020	267	008	G9000620	337	006
G4004330	111	028	G4102150	213	012	G4102680	253	014	G4103640	035	027	G4104710	113	013	G4107300	327	023	G9000290	309	014	G9000620	341	019
G4004330	129	028	G4102150	215	012	G4102710	213	015	G4103650	035	028	G4104720	113	014	G4107360	277	012	G9000320	297	007	G9000620	345	018
G4004730	077	021	G4102150	217	012	G4102710	215	015	G4103660	035	029	G4104720	127	015	G4107360	279	012	G9000321	297	008	G9000630	113	017
G4004730	079	021	G4102150	219	015	G4102710	217	015	G4103720	007	006	G4104730	113	015	G4107440	273	015	G9000322	297	009	G9000660	189	003
G4004730	083	021	G4102150	221	015	G4102710	219	018	G4103740	071	009	G4104730	119	019	G4107580	255	006	G9000324	297	010	G9000670	187	015
G4004730	355	012	G4102150	223	015	G4102710	221	018	G4103850	067	006	G4104730	127	016	G4107590	291	005	G9000340	327	026	G9000680	189	004
G4004740	077	022	G4102150	225	012	G4102710	223	018	G4103850	075	006	G4104740	113	016	G4107590	293	004	G9000390	283	012	G9000690	091	014
G4004740	079	022	G4102150	227	015	G4102710	225	015	G4103870	017	014	G4104740	127	017	G4107590	295	005	G9000420	237	025	G9000690	093	005
G4004740	083	022	G4102150	229	015	G4102710	227	018	G4103950	327	021	G4104750	107	006	G4107600	291	006	G9000420	245	024	G9000700	151	022
G4004750	351	008	G4102150	231	012	G4102710	229	018	G4103960	213	016	G4104760	127	018	G4107600	293	005	G9000420	251	022	G9000700	163	024
G4004760	105	013	G4102150	233	015	G4102710	231	015	G4103960	215	016	G4104770	127	019	G4107600	295	006	G9000430	215	017	G9000710	443	002
G4004900	017	013	G4102150	253	012	G4102710	233	018	G4103960	217	016	G4104780	125	014	G4107610	291	007	G9000430	217	017	G9000770	087	015
G4005440	339	012	G4102240	035	022	G4102710	253	015	G4103960	219	019	G4104780	127	020	G4107610	293	006	G9000430	219	020	G9000770	089	019
G4005440	343	012	G4102260	035	023	G4102720	223	019	G4103960	221	019	G4104790	125	015	G4107610	295	007	G9000430	221	020	G9000780	087	016
G4005790	119	016	G4102380	175	025	G4102720	227	019	G4103960	223	020	G4104800	125	016	G4107840	255	007	G9000430	223	021	G9000780	089	020
G4005800	117	013	G4102380	185	024	G4102720	233	019	G4103960	225	016	G4104800	127	021	G4108250	181	001	G9000430	225	017	G9000800	383	020
G4005800	119	017	G4102380	195	023	G4102730	369	017	G4103960	227	020	G4104810	127	022	G4108250	189	002	G9000430	227	021	G9000800	387	031
G4005810	117	014	G4102410	351	009	G4102730	373	018	G4103960	229	019	G4104820	125	017	G4108250	329	021	G9000430	229	020	G9000800	403	018
G4100020	095	027	G4102430	375	009	G4102740	369	018	G4103960	231	016	G4104820	127	023	G4108250	335	022	G9000430	231	017	G9000800	405	018
G4100020	097	032	G4102450	373	017	G4102740	373	019	G4103960	233	020	G4104830	125	018	G4108520	117	016	G9000430	233	021	G9000800	421	009
G4100400	197	016	G4102490	023	017	G4102750	369	019	G4103960	253	016	G4104830	127	024	G4108520	119	020	G9000430	253	017	G9000810	443	003
G4100410	023	012	G4102620	327	018	G4102750	373	020	G4104160	271	016	G4104840	111	029	G4108530	117	017	G9000450	371	016	G9000820	163	025
G4100420	023	013	G4102640	173	016	G4102760	369	020	G4104160	273	014	G4104840	121	027	G4108530	119	021	G9000470	331	008	G9000820	399	007
G4100460	023	014	G4102640	187	011	G4102760	373	021	G4104160	275	014	G4104840	123	025	G4108540	117	018	G9000490	099	008	G9000820	409	026
G4100470	023	015	G4102640	197	017	G4102770	369	021	G4104220	333	033	G4104840	129	029	G4108550	119	022	G9000510	327	027	G9000930	009	006
G4100540	201	032	G4102670	213	013	G4102770	373	022	G4104230	333	034	G4104880	187	013	G4108560	119	023	G9000510	339	014	G9000940	181	003
G4100680	035	021	G4102670	215	013	G4102840	367	015	G4104260	357	009	G4104900	439	032	G4108570	119	024	G9000510	343	014	G9001080	183	025
G4101070	023	016	G4102670	217	013	G4102840	371	015	G4104270	359	011	G4104910	091	011	G4108680	035	030	G9000520	327	028	G9001090	183	026
G4101080	105	014	G4102670	219	016	G4102960	263	024	G4104280	361	019	G4104920	091	012	G4108690	035	031	G9000530	327	029	G9001100	183	024
G4101180	049	004	G4102670	221	016	G4103230	263	025	G4104390	341	016	G4104950	091	013	G4108830	035	032	G9000530	341	018	G9001110	183	027
G4101460	029	008	G4102670	223	016	G4103240	263	026	G4104390	345	015	G4104960	077	023	G4108840	035	033	G9000530	345	017	G9001120	193	026
G4101460	031	025	G4102670	225	013	G4103380	173	017	G4104420	327	022	G4104960	079	023	G4200000	347	039	G9000540	347	040	G9001180	339	015
G4101650	055	009	G4102670	227	016	G4103380	197	018	G4104480	369	022	G4104960	083	023	G4200010	349	043	G9000540	349	044	G9001180	343	015
G4101650	059	009	G4102670	229	016	G4103430	327	019	G4104510	355	013	G4104970	077	024	G4200050	377	019	G9000550	367	016	G9001320	347	041
G4101990	043	016	G4102670	231	013	G4103480	187	012	G4104540	021	004	G4104970	079	024	G4200060	283	011	G9000560	247	020	G9001320	349	045
G4102000	037	013	G4102670	233	016	G4103490	045	008	G4104590	101	018	G4104970	083	024	G4200090	291	008	G9000560	249	018	G9001390	095	028
G4102140	213	011	G4102670	253	013	G4103500	263	027	G4104650	113	009	G4105090	069	005	G4200090	293	007	G9000570	213	017	G9001390	097	034
G4102140	215	011	G4102680	213	014	G4103510	007	005	G4104650	115	008	G4105100	069	006	G4200090	295	008	G9000570	215	018	G9001400	259	033
G4102140	217	011	G4102680	215	014	G4103520	327	020	G4104650	117	015	G4105110	169	006	G4200110	327	024	G9000570	219	021	G9001700	237	026
G4102140	219	014	G4102680	217	014	G4103530	263	028	G4104650	119	018	G4105150	097	033	G4200110	327	004	G9000570	221	021	G9001700	239	026
G4102140	221	014	G4102680	219	017	G4103540	025	006	G4104650	125	011	G4105190	089	017	G4200120	327	025	G9000570	223	022	G9001710	217	018
G4102140	223	014	G4102680	221	017	G4103540	027	006	G4104650	127	012	G4105200	089	018	G4200120	337	005	G9000570	227	022	G9001710	225	018
G4102140	225	011	G4102680	223	017	G4103550	091	010	G4104690	113	011	G4105360	285	010	G4200130	343	013	G9000570	229	021	G9001710	253	018
G4102140	227	014	G4102680	225	014	G4103550	093	004	G4104690	115	010	G4105360	287	012	G4200140	339	013	G9000570	231	018	G9001830	249	019



INDEX NUMERIQUE - NUMERICAL INDEX

TEILENUMMERN-INDEX - INDICE NUMERICO

Nr	Page	Rep.	Nr	Page	Rep.	Nr	Page	Rep.	Nr	Page	Rep.	Nr	Page	Rep.	Nr	Page	Rep.	Nr	Page	Rep.	Nr	Page	Rep.
G9100010	175	026	G9100710	271	017	K3014650	125	022	K9C020TL	293	010	K9C171TL	087	017	58551300	397	001	80060817	217	001	80060828	253	002
G9100020	175	027	G9100710	273	016	K3014650	127	028	K9C022TL	291	010	K9C171TL	089	022	58551300	401	001	80060817	219	001	80060828	281	001
G9100020	195	024	G9100710	275	015	K3014680	113	018	K9C022TL	293	011	K9C183TL	449	026	59900600	449	003	80060817	221	001	80060828	327	001
G9100030	195	025	G9100720	271	018	K3014680	115	012	K9C022TL	295	010	K9C183TL	451	025	59900600	451	003	80060817	223	001	80060828	341	002
G9100040	201	033	G9100720	273	017	K3014680	117	021	K9C026TL	291	011	K9C183TL	453	026	59900600	453	003	80060817	225	001	80060828	345	002
G9100050	201	034	G9100720	275	016	K3014680	119	027	K9C026TL	293	012	K9C183TL	455	025	59900600	455	003	80060817	227	001	80060828	355	001
G9100060	201	035	G9100910	195	026	K3014680	125	019	K9C026TL	295	011	K9C262TL	353	015	59901300	087	002	80060817	229	001	80060828	439	001
G9100060	213	018	G9100910	201	036	K3014680	127	025	K9C027TL	291	012	K9C270TL	291	019	59901300	089	002	80060817	231	001	80060832	021	001
G9100060	215	019	G9101360	439	033	K3014690	115	016	K9C027TL	293	013	K9C270TL	293	018	59901300	151	001	80060817	233	001	80060832	031	003
G9100060	217	019	G9101390	209	014	K3014690	125	023	K9C027TL	295	012	K9C270TL	295	019	59901300	383	001	80060817	253	001	80060832	037	002
G9100060	219	022	G9101390	211	015	K3014700	113	022	K9C031TL	291	013	K9500120	449	014	59901300	399	001	80060817	263	003	80060832	043	002
G9100060	221	022	G9101400	207	015	K3014700	115	017	K9C031TL	293	014	K9500120	451	014	59901300	409	001	80060817	271	001	80060832	047	001
G9100060	223	023	G9101400	211	016	K3014700	125	024	K9C031TL	295	013	K9500120	453	014	80060317	297	001	80060817	273	001	80060832	049	001
G9100060	225	019	G9101410	207	016	K3014700	127	029	K9C035TL	291	014	K9500120	455	014	80060618	151	002	80060817	275	001	80060832	051	001
G9100060	227	023	G9101460	137	018	K3014710	113	023	K9C035TL	293	015	K9508150	449	015	80060618	163	001	80060817	381	001	80060832	327	002
G9100060	229	022	G9101470	289	013	K3014710	115	018	K9C035TL	295	014	K9508150	451	015	80060618	263	001	80060820	113	001	80060832	329	002
G9100060	231	019	G9101570	323	006	K3014710	125	025	K9C037TL	291	015	K9508150	453	015	80060618	339	001	80060820	115	001	80060832	335	002
G9100060	233	023	G9101580	325	006	K3014710	127	030	K9C037TL	293	016	K9508150	455	015	80060618	341	001	80060820	117	001	80060832	353	001
G9100060	253	019	G9101590	317	006	K8018150	117	022	K9C037TL	295	015	K9510490	451	016	80060618	343	001	80060820	119	001	80060836	017	002
G9100080	375	010	G9101600	319	006	K8018150	119	028	K9C043TL	291	016	K9510490	453	016	80060618	345	001	80060820	125	002	80060836	185	002
G9100090	375	011	G9101820	095	029	K8018160	113	024	K9C043TL	293	017	K9510500	453	017	80060620	125	001	80060820	127	002	80060836	195	002
G9100100	363	020	G9101820	097	035	K8018160	115	019	K9C043TL	295	016	K9510510	449	016	80060620	127	001	80060820	185	001	80060836	367	001
G9100140	329	022	G9102000	347	043	K8018160	125	026	K9C044TL	291	017	K9510510	455	016	80060622	029	002	80060820	203	007	80060836	371	001
G9100140	335	023	G9900030	151	023	K8018160	127	031	K9C044TL	295	017	K9510520	449	017	80060622	031	002	80060821	259	001	80060840	133	001
G9100140	397	030	G9900280	329	023	K8018170	113	025	K9C047TL	291	018	K9530400	449	018	80060622	329	001	80060821	379	001	80060840	135	001
G9100140	401	030	G9900280	333	036	K8018170	115	020	K9C047TL	295	018	K9530400	451	017	80060622	333	002	80060828	017	001	80060842	045	001
G9100150	281	022	G9900280	335	024	K8018170	117	023	K9C078TL	449	021	K9530400	453	018	80060622	335	001	80060828	035	002	80060842	263	004
G9100200	259	034	G9900280	397	031	K8018170	119	029	K9C078TL	451	020	K9530400	455	017	80060622	397	002	80060828	037	001	80060842	329	003
G9100210	259	035	G9900280	401	031	K8018170	125	027	K9C078TL	453	021	K9530410	449	019	80060622	401	002	80060828	039	001	80060842	333	003
G9100220	261	010	G9901140	353	014	K8018170	127	032	K9C078TL	455	020	K9530410	451	018	80060626	089	003	80060828	041	001	80060842	335	003
G9100220	363	021	H2400840	117	019	K8018560	113	026	K9C080TL	449	022	K9530410	453	019	80060626	205	001	80060828	043	001	80060842	397	003
G9100230	261	011	H2400840	119	025	K8018560	115	021	K9C080TL	451	021	K9530410	455	018	80060626	207	001	80060828	069	001	80060842	401	003
G9100240	261	012	H2903830	117	020	K8018560	117	024	K9C080TL	453	022	09905400	449	001	80060626	209	001	80060828	071	001	80060870	367	002
G9100250	261	013	H2903830	119	026	K8018560	119	030	K9C080TL	455	021	09905400	451	001	80060626	211	001	80060828	175	001	80060870	371	002
G9100260	283	013	K3014610	113	019	K8018560	125	028	K9C081TL	449	023	09905400	453	001	80060641	263	002	80060828	213	002	80060880	039	002
G9100540	333	035	K3014610	115	013	K8018560	127	033	K9C081TL	451	022	09905400	455	001	80060651	369	001	80060828	215	002	80060880	043	003
G9100650	357	010	K3014610	125	020	K9A170CE	121	028	K9C081TL	453	023	09905510	449	002	80060651	373	001	80060828	217	002	80060880	263	005
G9100660	347	042	K3014610	127	026	K9A170CE	129	030	K9C081TL	455	022	09905510	451	002	80060659	095	001	80060828	219	002	80060880	313	015
G9100660	349	046	K3014620	113	020	K9C004TL	293	008	K9C082TL	449	024	09905510	453	002	80060659	097	001	80060828	221	002	80060880	367	003
G9100670	351	010	K3014620	115	014	K9C009TL	291	009	K9C082TL	451	023	09905510	455	002	80060817	143	001	80060828	223	002	80060880	371	003
G9100670	355	014	K3014620	125	021	K9C009TL	295	009	K9C082TL	453	024	09908500	035	001	80060817	153	001	80060828	225	002	80060896	285	001
G9100680	349	047	K3014620	127	027	K9C012TL	449	020	K9C082TL	455	023	50072300	087	001	80060817	165	001	80060828	227	002	80060896	287	001
G9100690	285	011	K3014640	133	033	K9C012TL	451	019	K9C083TL	449	025	50072300	089	001	80060817	171	009	80060828	229	002	800610A6	273	012
G9100690	287	013	K3014640	135	029	K9C012TL	453	020	K9C083TL	451	024	58527300	029	001	80060817	195	001	80060828	231	002	80061005	299	012
G9100700	285	012	K3014650	113	021	K9C012TL	455	019	K9C083TL	453	025	58527300	031	001	80060817	213	001	80060828	233	002	80061021	023	001
G9100700	287	014	K3014650	115	015	K9C017TL	293	009	K9C083TL	455	024	58551300	333	001	80060817	215	001	80060828	235	001	80061021	173	001



INDEX NUMERIQUE - NUMERICAL INDEX

TEILENUMMERN-INDEX - INDICE NUMERICO

Nr	Page	Rep.	Nr	Page	Rep.	Nr	Page	Rep.	Nr	Page	Rep.	Nr	Page	Rep.	Nr	Page	Rep.	Nr	Page	Rep.	Nr	Page	Rep.
80061021	177	001	80061446	103	001	80080627	031	005	80100417	121	004	80200441	027	002	80200631	361	002	80200831	217	003	80201049	093	002
80061021	181	007	80061464	111	001	80080627	327	004	80100417	123	004	80200441	091	004	80200631	369	004	80200831	219	003	80201049	095	004
80061021	191	001	80061464	129	001	80080635	031	006	80100417	129	005	80200441	259	003	80200631	373	004	80200831	221	003	80201049	097	005
80061021	197	001	80061488	103	002	80080640	307	007	80100417	367	004	80200441	367	005	80200631	383	003	80200831	223	003	80201049	173	003
80061021	283	001	80061498	063	002	80080641	145	002	80100417	369	002	80200441	369	003	80200631	387	006	80200831	225	003	80201049	187	003
80061026	203	029	80061498	067	001	80080641	147	002	80100417	371	004	80200441	371	005	80200631	397	005	80200831	227	003	80201049	197	003
80061027	031	004	80061498	073	002	80080641	161	001	80100417	373	002	80200441	373	003	80200631	401	005	80200831	229	003	80201049	213	004
80061027	037	003	80061498	075	001	80080641	403	001	80100617	291	001	80200541	167	001	80200631	409	003	80200831	231	003	80201049	215	004
80061027	053	001	800616C4	105	011	80080641	405	001	80100617	293	001	80200541	169	002	80200631	439	005	80200831	233	003	80201049	217	004
80061027	097	002	80061600	347	001	80080646	031	007	80100617	295	001	80200541	387	005	80200801	119	002	80200831	235	002	80201049	219	004
80061027	333	004	80061600	349	001	80080646	087	003	80100625	035	004	80200541	413	003	80200804	043	005	80200831	253	003	80201049	221	004
80061027	375	001	80061602	063	003	80080646	089	004	80100625	315	003	80200566	439	004	80200804	263	007	80200831	263	008	80201049	223	004
80061031	023	002	80061602	073	003	80080646	101	001	80110825	071	002	80200600	307	013	80200804	313	014	80200831	281	002	80201049	225	004
80061031	057	001	80061604	137	001	80080646	111	004	80110825	137	003	80200617	291	002	80200804	327	007	80200831	285	002	80201049	227	004
80061031	061	001	80061611	137	002	80080646	121	003	80110825	139	002	80200617	293	002	80200804	339	004	80200831	287	002	80201049	229	004
80061031	063	001	80061613	055	001	80080646	123	003	80110825	141	002	80200617	295	002	80200804	341	004	80200831	327	008	80201049	231	004
80061031	073	001	80061613	059	001	80080646	129	004	80110825	157	001	80200630	031	008	80200804	343	004	80200831	329	005	80201049	233	004
80061031	091	001	80061623	397	004	80080646	255	001	80110825	203	036	80200630	035	006	80200804	345	004	80200831	333	007	80201049	253	004
80061031	093	001	80061623	401	004	80080646	257	001	80110830	035	005	80200631	029	003	80200804	353	002	80200831	335	005	80201049	261	003
80061031	105	002	80062016	139	001	80080646	383	002	80110837	081	001	80200631	031	009	80200806	133	002	80200831	341	005	80201049	339	005
80061031	173	002	80062016	141	001	80080646	387	002	80150510	017	004	80200631	043	004	80200831	017	006	80200831	345	005	80201049	343	005
80061031	187	001	80062058	111	002	80080646	409	002	80150510	085	003	80200631	087	004	80200831	021	002	80200831	353	003	80201049	351	002
80061031	197	002	80062058	121	001	80080646	417	001	80150613	271	002	80200631	089	005	80200831	031	010	80200831	355	003	80201049	355	004
80061031	201	001	80062058	123	001	80080651	101	002	80150613	273	002	80200631	095	003	80200831	035	007	80200831	367	006	80201049	375	003
80061031	261	001	80062058	129	002	80080651	439	003	80150613	275	002	80200631	097	004	80200831	037	004	80200831	371	006	80201070	203	005
80061037	095	002	80062063	015	001	80080661	403	002	80151212	125	003	80200631	101	003	80200831	039	003	80200831	397	006	80201070	299	010
80061037	097	003	80062063	111	003	80080661	405	002	80151212	127	003	80200631	111	006	80200831	041	002	80200831	401	006	80201231	035	008
80061043	045	002	80062063	121	002	80080670	307	006	80151220	125	004	80200631	121	005	80200831	043	006	80200831	439	006	80201231	077	008
80061043	077	001	80062063	123	002	80080671	357	001	80151220	127	004	80200631	123	005	80200831	047	002	80200870	299	011	80201231	079	008
80061043	079	001	80062063	129	003	80080671	361	001	80190501	377	001	80200631	129	006	80200831	049	002	80201002	043	007	80201231	083	008
80061043	083	001	80062067	005	001	80080681	349	002	80190618	289	002	80200631	145	003	80200831	051	002	80201002	105	003	80201231	145	005
80061043	351	001	80062067	011	001	80080694	387	003	80190621	339	002	80200631	147	003	80200831	053	003	80201002	375	002	80201231	147	005
80061043	355	002	80062067	013	001	80080694	403	003	80190621	343	002	80200631	161	002	80200831	069	002	80201049	023	004	80201231	203	039
80061048	077	002	80062068	009	001	80080694	405	003	80190825	053	002	80200631	205	002	80200831	071	004	80201049	025	002	80201231	397	007
80061048	079	002	80062077	015	002	80080694	415	001	80190825	071	003	80200631	207	002	80200831	077	006	80201049	031	011	80201231	401	007
80061048	083	002	80062406	023	003	80080694	419	001	80190825	077	005	80200631	209	002	80200831	079	006	80201049	043	008	80201272	077	009
80061095	315	006	80080421	027	001	80080821	387	004	80190825	079	005	80200631	211	002	80200831	081	002	80201049	045	003	80201272	079	009
80061097	025	001	80080421	091	002	80080821	413	002	80190825	083	005	80200631	255	002	80200831	083	006	80201049	053	004	80201272	083	009
80061202	333	005	80080426	289	001	80080826	199	001	80190825	327	005	80200631	257	003	80200831	137	004	80201049	055	003	80201272	333	008
80061205	145	001	80080512	381	002	80081042	187	002	80190825	337	001	80200631	263	006	80200831	145	004	80201049	057	002	80201272	351	003
80061205	147	001	80080520	169	001	80081441	103	003	80190825	341	003	80200631	327	006	80200831	147	004	80201049	059	003	80201272	355	005
80061226	077	003	80080520	439	002	80081451	201	002	80190825	345	003	80200631	329	004	80200831	161	003	80201049	061	002	80201431	063	005
80061226	079	003	80080550	381	003	80082071	007	001	80191031	055	002	80200631	333	006	80200831	175	002	80201049	063	004	80201431	067	002
80061226	083	003	80080551	387	001	80090402	257	002	80191031	059	002	80200631	335	004	80200831	185	003	80201049	073	004	80201431	073	005
80061232	035	003	80080551	413	001	80100404	259	002	80191031	091	003	80200631	339	003	80200831	191	002	80201049	077	007	80201431	075	002
80061247	077	004	80080590	381	004	80100417	017	003	80191031	261	002	80200631	343	003	80200831	195	003	80201049	079	007	80201431	103	004
80061247	079	004	80080621	085	001	80100417	085	002	80200341	297	002	80200631	349	003	80200831	213	003	80201049	083	007	80201431	111	007
80061247	083	004	80080621	327	003	80100417	111	005	80200441	017	005	80200631	357	002	80200831	215	003	80201049	091	005	80201431	129	007



INDEX NUMERIQUE - NUMERICAL INDEX

TEILENUMMERN-INDEX - INDICE NUMERICO

Nr	Page	Rep.	Nr	Page	Rep.	Nr	Page	Rep.	Nr	Page	Rep.	Nr	Page	Rep.	Nr	Page	Rep.	Nr	Page	Rep.	Nr	Page	Rep.
80201431	201	003	80250410	259	004	80250601	349	005	80250800	175	003	80251005	023	006	80251200	035	012	80252141	129	013	80271083	023	008
80201605	095	005	80250410	367	007	80250601	357	003	80250800	185	004	80251005	025	003	80251200	077	012	80252228	369	007	80271083	037	007
80201605	097	006	80250410	371	007	80250601	361	003	80250800	191	003	80251005	031	014	80251200	079	012	80252228	373	007	80271083	105	007
80201631	063	006	80250500	035	009	80250601	369	006	80250800	195	004	80251005	045	005	80251200	083	012	80252500	023	007	80271083	173	005
80201631	073	006	80250500	167	002	80250601	373	006	80250800	213	005	80251005	053	006	80251200	145	009	80252850	439	010	80271083	177	003
80201631	105	004	80250500	169	003	80250601	383	004	80250800	215	005	80251005	055	005	80251200	147	009	80253975	155	003	80271083	181	005
80201631	137	005	80250500	369	005	80250601	387	008	80250800	217	005	80251005	057	003	80251200	149	001	80270683	145	011	80271083	187	005
80201631	155	001	80250500	373	005	80250601	389	001	80250800	219	005	80251005	059	005	80251200	159	001	80270683	151	005	80271083	197	005
80201631	347	002	80250500	377	002	80250601	391	001	80250800	221	005	80251005	061	003	80251200	263	011	80270683	161	008	80271083	333	013
80201631	349	004	80250500	387	007	80250601	393	001	80250800	223	005	80251005	063	007	80251200	333	012	80270683	163	004	80271083	375	005
80201631	351	004	80250500	413	004	80250601	395	001	80250800	225	005	80251005	073	007	80251200	397	011	80270683	263	013	80271283	077	013
80201631	355	006	80250500	439	007	80250601	397	009	80250800	227	005	80251005	077	011	80251200	401	011	80270683	339	008	80271283	079	013
80201671	055	004	80250601	029	004	80250601	401	009	80250800	229	005	80251005	079	011	80251400	063	008	80270683	341	009	80271283	083	013
80201671	059	004	80250601	031	012	80250601	403	004	80250800	231	005	80251005	083	011	80251400	067	003	80270683	343	008	80282125	007	004
80201671	137	006	80250601	035	010	80250601	405	004	80250800	233	005	80251005	091	007	80251400	073	008	80270683	345	009	80370405	067	004
80201671	145	006	80250601	043	009	80250601	409	004	80250800	235	003	80251005	093	003	80251400	075	003	80270683	387	010	80370405	075	004
80201671	147	006	80250601	085	005	80250601	415	002	80250800	253	005	80251005	095	007	80251400	103	005	80270683	417	003	80370405	139	003
80201671	161	004	80250601	087	005	80250601	417	002	80250800	259	005	80251005	097	008	80251400	111	012	80270802	327	012	80370405	141	003
80201671	397	008	80250601	089	006	80250601	419	002	80250800	263	010	80251005	173	004	80251400	129	012	80270802	339	009	80370405	157	002
80201671	401	008	80250601	095	006	80250601	439	008	80250800	271	003	80251005	177	002	80251400	201	005	80270802	341	010	80370405	169	004
80202006	111	008	80250601	097	007	80250800	017	008	80250800	273	003	80251005	181	006	80251601	063	009	80270802	343	009	80370414	009	004
80202006	121	006	80250601	101	004	80250800	021	003	80250800	275	003	80251005	187	004	80251601	073	009	80270802	345	010	80370414	035	013
80202006	123	006	80250601	111	011	80250800	031	013	80250800	281	003	80251005	191	004	80251601	105	006	80270803	133	003	80370414	085	006
80202006	129	008	80250601	121	009	80250800	035	011	80250800	285	003	80251005	197	004	80251601	137	007	80270803	135	002	80370416	043	012
80202031	005	002	80250601	123	009	80250800	037	005	80250800	287	003	80251005	201	004	80251601	149	002	80270803	203	008	80370416	171	012
80202031	007	002	80250601	129	011	80250800	039	004	80250800	327	010	80251005	213	006	80251601	155	002	80270883	037	006	80370432	377	004
80202031	009	002	80250601	145	007	80250800	041	003	80250800	329	007	80251005	215	006	80251601	159	002	80270883	045	006	80370433	035	014
80202031	011	002	80250601	147	007	80250800	043	010	80250800	333	010	80251005	217	006	80251601	161	007	80270883	143	003	80370613	069	004
80202031	013	002	80250601	151	003	80250800	045	004	80250800	335	007	80251005	219	006	80251601	263	012	80270883	153	003	80450526	017	009
80202031	015	003	80250601	161	005	80250800	047	003	80250800	341	007	80251005	221	006	80251601	347	003	80270883	165	003	80450526	149	003
80202031	111	009	80250601	163	002	80250800	049	003	80250800	345	007	80251005	223	006	80251601	349	006	80270883	171	008	80450526	367	009
80202031	121	007	80250601	205	003	80250800	051	003	80250800	353	004	80251005	225	006	80251601	351	006	80270883	185	005	80450526	371	009
80202031	123	007	80250601	207	003	80250800	053	005	80250800	355	007	80251005	227	006	80251601	355	009	80270883	195	005	80450642	033	001
80202031	129	009	80250601	209	003	80250800	069	003	80250800	367	008	80251005	229	006	80251624	145	010	80270883	259	006	80450642	105	008
80202403	105	005	80250601	211	003	80250800	071	005	80250800	371	008	80251005	231	006	80251624	147	010	80270883	271	004	80461250	145	012
80202439	023	005	80250601	255	003	80250800	077	010	80250800	377	003	80251005	233	006	80251833	151	004	80270883	273	004	80461250	147	011
80202730	107	001	80250601	257	004	80250800	079	010	80250800	379	002	80251005	253	006	80251833	163	003	80270883	275	004	80461250	161	009
80250306	297	003	80250601	263	009	80250800	081	003	80250800	387	009	80251005	261	004	80252141	005	003	80270883	313	013	80500231	263	014
80250410	017	007	80250601	327	009	80250800	083	010	80250800	397	010	80251005	283	002	80252141	007	003	80270883	379	003	80500231	333	014
80250410	027	003	80250601	329	006	80250800	143	002	80250800	401	010	80251005	333	011	80252141	009	003	80270883	381	005	80500231	369	008
80250410	085	004	80250601	333	009	80250800	145	008	80250800	413	005	80251005	339	007	80252141	011	003	80270883	387	011	80500231	373	008
80250410	091	006	80250601	335	006	80250800	147	008	80250800	439	009	80251005	343	007	80252141	013	003	80270883	413	006	80500236	149	004
80250410	111	010	80250601	339	006	80250800	153	002	80250930	327	011	80251005	351	005	80252141	015	004	80271002	327	013	80500337	263	015
80250410	121	008	80250601	341	006	80250800	161	006	80250930	337	002	80251005	355	008	80252141	111	013	80271002	337	003	80500340	145	013
80250410	123	008	80250601	343	006	80250800	165	002	80250930	341	008	80251005	375	004	80252141	121	010	80271003	203	025	80500340	147	012
80250410	129	010	80250601	345	006	80250800	171	007	80250930	345	008	80251037	043	011	80252141	123	010	80271003	299	009	80500340	149	005



INDEX NUMERIQUE - NUMERICAL INDEX

TEILENUMMERN-INDEX - INDICE NUMERICO

Nr	Page	Rep.	Nr	Page	Rep.	Nr	Page	Rep.	Nr	Page	Rep.	Nr	Page	Rep.	Nr	Page	Rep.	Nr	Page	Rep.	Nr	Page	Rep.
80500340	155	004	82062908	235	004	82063941	347	005	82200603	263	016	83050029	263	018	83090177	347	006	83230016	289	003	83600304	259	015
80500340	159	003	82062908	365	001	82063941	349	008	82200606	119	009	83050029	339	010	83090177	349	009	83233011	297	004	83600308	267	001
80500340	161	010	82062935	187	006	82063950	173	006	82200616	117	008	83050029	341	012	83090177	357	004	83233087	167	003	83604000	203	026
80500579	117	002	82062935	193	019	82063950	183	015	82200616	133	005	83050029	343	010	83090177	359	003	83233090	167	004	83610019	201	012
80500579	119	003	82062935	217	007	82063950	197	006	82200616	135	004	83050029	345	012	83090179	195	010	83233217	171	004	83610021	353	005
80500579	137	008	82062935	219	007	82063950	199	002	82200800	023	009	83070063	237	004	83090180	329	009	83233226	259	012	83610025	281	004
80501071	155	005	82062935	221	007	82064725	309	010	82200800	029	005	83070063	239	004	83090180	333	017	83233235	171	003	83610029	235	006
80581001	333	015	82062935	223	007	82065835	175	005	82200800	031	015	83070063	241	004	83090180	335	009	83235067	381	007	83610031	239	007
80581201	327	014	82062935	225	007	82065835	185	007	82200800	077	014	83070063	243	004	83090180	397	014	83240010	447	001	83610031	241	007
80583000	113	002	82062935	227	007	82065835	195	007	82200800	079	014	83070063	245	004	83090180	401	014	83240013	169	005	83610031	243	008
80583000	115	002	82062935	229	007	82065835	201	008	82200800	083	014	83070063	247	003	83090181	175	008	83240014	447	002	83610032	255	004
80583000	117	003	82062935	233	007	82065835	219	008	82200800	105	009	83070063	249	003	83090181	185	010	83240431	167	005	83610032	315	018
80583000	119	004	82062935	237	001	82065835	221	008	82200800	153	004	83070063	251	004	83090181	201	011	83240435	171	001	83610039	173	007
80583000	125	005	82062935	239	001	82065835	223	008	82200800	165	004	83070063	377	006	83090181	205	004	83240453	167	006	83610039	187	007
80583000	127	005	82062935	241	001	82065835	227	008	82230006	095	008	83070076	183	013	83090181	207	004	83240456	167	007	83610039	197	007
80583000	203	022	82062935	243	001	82065835	229	008	82230006	097	009	83070076	193	006	83090181	209	004	83600012	347	008	83610039	307	016
80583500	203	020	82062935	245	001	82065835	233	008	82300026	379	004	83090040	089	007	83090181	211	004	83600012	349	011	83610042	271	008
80584000	203	015	82062935	251	001	82065835	237	002	82300026	385	001	83090172	259	009	83090181	217	008	83600093	347	009	83610042	275	007
80598000	203	004	82062935	253	007	82065835	239	002	82300026	409	005	83090172	261	006	83090181	219	009	83600093	349	012	83610042	311	025
80650517	203	018	82062935	261	005	82065835	241	002	82340008	329	008	83090172	363	002	83090181	221	009	83600106	347	010	83610043	205	005
81003061	203	021	82062935	277	001	82065835	243	002	82340008	333	016	83090172	375	006	83090181	223	009	83600106	349	013	83610043	207	005
81003580	183	004	82062935	279	001	82065835	245	002	82340008	335	008	83090173	363	003	83090181	225	008	83600179	243	007	83610043	209	005
81003580	193	008	82062935	285	004	82065835	247	002	82340008	397	012	83090177	175	007	83090181	227	009	83600179	251	007	83610043	211	005
81104080	203	014	82062935	287	004	82065835	249	002	82340008	401	012	83090177	185	009	83090181	229	009	83600184	347	011	83610045	267	002
81301747	203	016	82062935	347	004	82065835	251	002	83001202	363	001	83090177	195	009	83090181	233	009	83600184	349	014	83610062	247	006
81302562	203	023	82062935	349	007	82065835	259	008	83013033	035	015	83090177	201	010	83090181	235	005	83600212	377	007	83610068	257	005
81305501	117	004	82062935	359	001	82065835	271	006	83021210	397	013	83090177	213	008	83090181	237	006	83600223	309	007	83623016	347	013
81305501	119	005	82062935	377	005	82065835	317	001	83021210	401	013	83090177	215	008	83090181	239	006	83600227	439	011	83623020	201	013
81307513	117	005	82063535	113	010	82065835	319	001	83021221	159	004	83090177	231	008	83090181	241	006	83600228	347	012	83623021	175	009
81307513	119	006	82063535	115	009	82065835	323	003	83040065	063	010	83090177	237	005	83090181	243	006	83600228	349	015	83623021	185	011
81308505	113	003	82063535	117	006	82065835	325	004	83040065	073	010	83090177	239	005	83090181	245	006	83600228	365	002	83623021	195	011
81308505	115	003	82063535	119	007	82065835	359	002	83040071	063	011	83090177	241	005	83090181	247	005	83600233	363	004	83623030	317	003
81308505	125	006	82063535	125	012	82066879	175	006	83040071	073	011	83090177	243	005	83090181	249	005	83600235	299	003	83623030	319	003
81308505	127	006	82063535	127	013	82066879	185	008	83040212	137	009	83090177	245	005	83090181	251	006	83600235	315	007	83623030	321	001
81309517	133	004	82063941	175	004	82066879	195	008	83040219	057	004	83090177	247	004	83090181	253	008	83600240	269	018	83623030	323	002
81309517	135	003	82063941	185	006	82066879	201	009	83040219	061	004	83090177	249	004	83090181	259	011	83600241	307	001	83623030	325	003
82060008	301	001	82063941	195	006	82067435	237	003	83040227	055	006	83090177	251	005	83090181	287	006	83600247	269	017	83634005	217	009
82060008	303	001	82063941	201	007	82067435	239	003	83040227	059	006	83090177	259	010	83090181	347	007	83600252	311	011	83634005	219	010
82060027	301	002	82063941	213	007	82067435	241	003	83040229	047	004	83090177	261	007	83090181	349	010	83600253	269	002	83634005	221	010
82060027	303	002	82063941	215	007	82067435	243	003	83040232	341	011	83090177	271	007	83090181	361	004	83600261	299	005	83634005	223	010
82060818	381	006	82063941	231	007	82067435	245	003	83040232	345	011	83090177	273	006	83090181	375	007	83600265	269	001	83634005	225	009
82060925	259	026	82063941	247	001	82067435	251	003	83040248	063	012	83090177	275	006	83090274	035	016	83600266	269	016	83634005	227	010
82060925	363	016	82063941	249	001	82200600	113	004	83040248	073	012	83090177	285	005	83090274	085	007	83600267	441	001	83634005	229	010
82060925	439	023	82063941	259	007	82200600	115	004	83050005	043	013	83090177	287	005	83101202	333	018	83600268	441	001	83634005	233	010
82061421	309	011	82063941	269	021	82200600	125	007	83050005	263	017	83090177	317	002	83101202	397	015	83600292	259	013	83634005	237	007
82062041	183	005	82063941	271	005	82200600	127	007	83050010	029	006	83090177	319	002	83101202	401	015	83600292	361	005	83634005	239	008
82062106	313	005	82063941	273	005	82200603	117	007	83050010	031	016	83090177	323	001	83200814	291	003	83600295	259	014	83634005	241	008
82062908	201	006	82063941	275	005	82200603	119	008	83050024	315	004	83090177	325	001	83200814	295	003	83600297	365	003	83634005	243	009



INDEX NUMERIQUE - NUMERICAL INDEX

TEILENUMMERN-INDEX - INDICE NUMERICO

Nr	Page	Rep.	Nr	Page	Rep.	Nr	Page	Rep.	Nr	Page	Rep.	Nr	Page	Rep.	Nr	Page	Rep.	Nr	Page	Rep.	Nr	Page	Rep.
83634005	245	007	83634013	349	019	83654022	201	017	83654035	365	004	83654054	373	011	83655031	241	016	83655091	247	014	83660002	325	002
83634005	251	008	83634014	347	018	83654022	205	007	83654036	347	021	83654055	347	025	83655031	245	015	83655091	249	013	83668022	281	013
83634005	253	009	83634014	349	020	83654022	209	007	83654036	349	023	83654055	349	026	83655031	247	012	83655098	205	010	83668023	105	010
83634005	261	008	83634015	175	012	83654022	211	007	83654037	347	022	83654055	353	007	83655031	249	011	83655098	209	010	83668023	377	012
83634005	277	002	83634015	185	014	83654022	369	010	83654038	281	009	83654056	347	026	83655033	281	011	83655098	211	010	83668024	281	014
83634005	279	002	83634015	195	014	83654022	373	010	83654038	361	008	83654056	349	027	83655038	235	013	83655099	277	008	83668024	347	030
83634005	285	006	83634015	201	016	83654023	235	010	83654040	347	023	83654056	365	005	83655039	439	015	83655099	279	008	83668024	349	031
83634005	287	007	83634015	237	008	83654024	439	013	83654040	349	024	83655005	219	012	83655042	247	013	83655100	363	014	83668024	363	015
83634005	347	014	83634015	239	009	83654025	277	004	83654042	205	008	83655005	221	012	83655042	249	012	83655101	175	019	83668024	365	007
83634005	349	016	83634015	241	009	83654025	279	004	83654042	209	008	83655005	223	012	83655042	259	019	83655101	185	019	83668024	439	017
83634005	359	004	83634015	243	010	83654026	219	011	83654042	211	008	83655005	227	012	83655042	353	008	83655101	195	018	83668026	259	024
83634005	377	008	83634015	245	008	83654026	221	011	83654043	175	014	83655005	229	012	83655044	281	012	83655101	201	023	83668026	347	031
83634009	277	003	83634015	251	009	83654026	223	011	83654043	185	016	83655005	233	012	83655050	363	011	83655101	207	010	83668026	349	032
83634009	279	003	83634016	235	008	83654026	227	011	83654043	195	016	83655005	237	014	83655053	185	018	83655101	219	013	83668026	365	008
83634009	369	009	83634016	281	005	83654026	229	011	83654043	201	020	83655005	239	015	83655053	201	022	83655101	221	013	83668028	247	016
83634009	373	009	83634016	363	006	83654026	233	011	83654043	207	008	83655005	241	015	83655053	347	028	83655101	223	013	83668028	249	015
83634010	259	016	83634016	377	009	83654026	241	011	83654043	237	012	83655005	243	016	83655053	349	029	83655101	227	013	83668028	283	004
83634010	363	005	83634020	289	004	83654026	245	010	83654043	239	013	83655005	245	014	83655060	261	009	83655101	229	013	83668030	347	032
83634010	439	012	83634028	307	002	83654026	273	008	83654043	241	013	83655005	251	015	83655060	347	029	83655101	233	013	83668030	349	033
83634011	175	010	83637056	237	009	83654026	359	006	83654043	245	012	83655005	287	008	83655060	349	030	83655101	237	017	83668030	369	012
83634011	185	012	83637056	239	010	83654027	283	003	83654043	247	010	83655005	347	027	83655060	359	007	83655101	239	018	83668030	373	012
83634011	195	012	83637056	241	010	83654027	353	006	83654043	249	009	83655005	349	028	83655063	317	005	83655101	241	018	83668046	283	005
83634011	201	014	83637056	245	009	83654028	207	007	83654043	259	018	83655005	377	011	83655063	319	004	83655101	245	017	83668046	347	033
83634011	205	006	83637056	247	008	83654029	175	013	83654043	271	010	83655006	217	010	83655063	321	002	83655101	259	023	83668046	349	034
83634011	207	006	83637056	249	007	83654029	185	015	83654043	275	009	83655006	225	010	83655063	323	005	83655101	359	008	83668046	353	009
83634011	209	006	83637058	247	009	83654029	195	015	83654046	175	015	83655006	253	010	83655063	325	005	83655102	185	020	83668046	377	013
83634011	211	006	83637058	249	008	83654029	201	018	83654046	243	015	83655006	277	006	83655066	259	020	83656001	243	018	83668047	347	034
83634011	235	007	83637060	317	004	83654029	243	013	83654046	251	014	83655006	279	006	83655067	363	012	83656001	251	017	83668047	349	035
83634011	347	015	83637060	323	004	83654029	251	012	83654049	201	021	83655010	363	010	83655068	357	005	83656002	187	009	83668048	377	014
83634011	349	017	83637060	445	001	83654030	237	011	83654049	237	013	83655015	193	018	83655075	361	009	83656003	201	024	83668050	267	003
83634012	175	011	83637062	243	011	83654030	239	012	83654049	239	014	83655019	235	012	83655077	329	011	83656003	271	012	83668050	269	019
83634012	185	013	83637062	251	010	83654030	241	012	83654049	241	014	83655019	281	010	83655077	333	020	83656003	273	009	83668053	269	015
83634012	195	013	83654007	243	012	83654030	243	014	83654049	245	013	83655022	277	007	83655077	335	011	83656003	275	010	83668054	269	007
83634012	201	015	83654007	251	011	83654030	245	011	83654049	247	011	83655022	279	007	83655077	397	017	83656004	195	019	83668060	299	007
83634012	213	009	83654008	281	006	83654030	251	013	83654049	249	010	83655022	285	007	83655077	401	017	83656004	201	025	83668063	299	004
83634012	215	009	83654012	237	010	83654031	281	008	83654049	271	011	83655022	287	009	83655085	259	021	83656004	237	018	83668072	305	001
83634012	231	009	83654012	239	011	83654032	277	005	83654051	329	010	83655025	175	016	83655086	259	022	83656004	239	019	83668072	353	010
83634012	247	007	83654012	359	005	83654032	279	005	83654051	333	019	83655025	185	017	83655086	363	013	83656004	241	019	83668075	237	019
83634012	249	006	83654017	173	008	83654032	347	019	83654051	335	010	83655025	195	017	83655086	439	016	83656004	243	019	83668075	239	020
83634012	259	017	83654017	187	008	83654032	349	021	83654051	397	016	83655025	205	009	83655087	175	018	83656004	245	018	83668075	241	020
83634012	271	009	83654017	197	008	83654032	377	010	83654051	401	016	83655025	207	009	83655087	243	017	83656004	251	018	83668075	245	019
83634012	273	007	83654017	235	009	83654034	363	008	83654053	363	009	83655025	209	009	83655087	251	016	83657002	247	015	83668075	247	017
83634012	275	008	83654018	361	006	83654035	201	019	83654053	439	014	83655025	211	009	83655091	237	016	83657002	249	014	83673033	321	004
83634012	347	016	83654020	281	007	83654035	235	011	83654054	347	024	83655031	175	017	83655091	239	017	83657005	365	006	83673050	283	006
83634012	349	018	83654020	361	007	83654035	347	020	83654054	349	025	83655031	237	015	83655091	241	017	83660002	319	005	83673053	349	036
83634013	347	017	83654020	363	007	83654035	349	022	83654054	369	011	83655031	239	016	83655091	245	016	83660002	321	003	83673060	305	002



INDEX NUMERIQUE - NUMERICAL INDEX TEILENUMMERN-INDEX - INDICE NUMERICO

Nr	Page	Rep.	Nr	Page	Rep.	Nr	Page	Rep.	Nr	Page	Rep.	Nr	Page	Rep.	Nr	Page	Rep.	Nr	Page	Rep.
83673062	205	011	83673165	249	016															
83673062	235	014	83673165	271	013															
83673062	347	035	83673165	273	010															
83673062	349	037	83673165	275	011															
83673066	439	018	83673166	175	022															
83673069	283	007	83673166	195	021															
83673071	265	001	83673166	259	025															
83673075	281	015	83673167	185	021															
83673075	283	008	83673167	201	026															
83673075	329	012	83673167	247	019															
83673075	333	021	83673167	249	017															
83673075	335	012	83673168	201	027															
83673075	397	018	83673170	237	021															
83673075	401	018	83673170	239	022															
83673077	267	004	83673170	241	021															
83673077	305	003	83673170	245	020															
83673078	349	038	83673171	285	008															
83673079	301	003	83673171	287	010															
83673079	303	003	83673172	273	011															
83673086	265	002	84006150	443	001															
83673093	265	003	951168	105	001															
83673096	267	005																		
83673103	283	009																		
83673106	277	009																		
83673106	279	009																		
83673110	237	020																		
83673110	239	021																		
83673110	277	010																		
83673110	279	010																		
83673116	175	020																		
83673116	243	020																		
83673116	251	019																		
83673127	205	012																		
83673127	207	011																		
83673127	209	011																		
83673127	211	011																		
83673133	439	019																		
83673134	439	020																		
83673135	439	021																		
83673147	299	015																		
83673148	299	016																		
83673149	299	002																		
83673165	175	021																		
83673165	195	020																		
83673165	213	010																		
83673165	215	010																		
83673165	231	010																		
83673165	247	018																		

EXTRAIT DES CONDITIONS DE GARANTIE ET CONDITIONS SPECIFIQUES PIECES DE RECHANGE

Nous garantissons notre matériel durant une année à partir du jour de livraison, c'est-à-dire que nous nous engageons à rembourser les pièces qui auront été reconnues défectueuses en nos usines, par notre service technique.

Bien entendu, la garantie ne s'applique pas en cas d'usure normale, ni en cas de détériorations résultant de négligences ou de défauts de surveillance, d'un mauvais usage, d'un manque d'entretien ou d'un accident. La garantie ne s'applique pas non plus si la machine a été prêtée ou utilisée pour un usage non conforme à sa destination prévue par la société.

La garantie ne s'applique pas aux pièces d'usure.

Les pièces de rechange sont soumises aux mêmes conditions de garantie que le matériel sous réserve qu'elles aient été montées selon les règles de l'art et utilisées conformément à nos recommandations.

EXTRACT FROM OUR CONDITIONS OF LIMITED WARRANTY AND SPARE PARTS WARRANTY POLICY

Our equipment is warranted for a period of one year from the date of delivery. We guarantee the reimbursement of all parts proven to be faulty by our technical division in material or manufacturing.

The warranty is not applicable in the following cases : normal wear, accident or negligence in operation, repairs using parts other than genuine KUHN parts, products altered or modified without the expressed permission of the company or if the machine is not used and serviced in accordance with the recommendations of the operator's manual. Wearing items are not covered under these conditions of limited warranty.

Spare parts are subject to the same warranty conditions than the equipment providing they have been installed with proficiency and are used in accordance with our recommendations.

AUSZUG AUS UNSEREN GARANTIEBEDINGUNGEN UND SONDERBEDINGUNGEN FÜR ERSATZTEILE

Wir garantieren unsere Ware für ein Jahr ab dem Tag der Lieferung und verpflichten uns, die Teile zu ersetzen, die im Werk als fehlerhaft anerkannt wurden.

Die Garantie ist ausgeschlossen für Teile, die einem normalen Verschleiß unterliegen, sowie im Fall von nachlässiger Behandlung oder mangelhafter Wartung oder eines Unfalls. Die Garantie erlischt auch, wenn die Maschine ausgeliehen oder unter Umständen eingesetzt wurde, die dem ursprünglichen Verwendungszweck und den Hinweisen in der Betriebsanleitung nicht entsprechen.

Verschleißteile sind von der Garantie ausgeschlossen

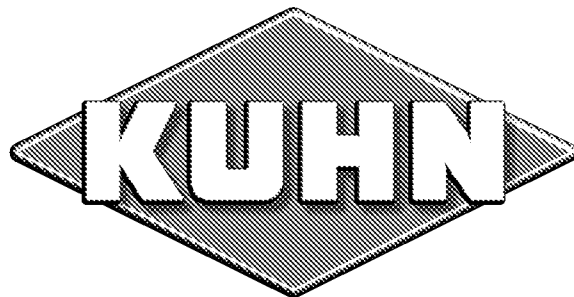
Ersatzteile unterliegen den gleichen Garantiebedingungen wie komplette Maschinen, vorausgesetzt, dass sie sachgerecht eingebaut und entsprechend unseren Empfehlungen verwendet wurden.

ESTRATTO DELLE CONDIZIONI DI GARANZIA E CONDIZIONI SPECIFICHE GARANZIA RICAMBI

Le nostre macchine sono garantite per un anno a partire dal giorno della consegna: ci impegnamo a rimborsare i componenti che saranno riconosciuti difettosi dai nostri servizi tecnici presso le nostre officine.

La garanzia non è applicabile nei seguenti casi: usura normale, incidente o negligenza nell'impiego, riparazioni utilizzando ricambi non originali KUHN, prodotti alterati o modificati senza il permesso dell'azienda. La garanzia non viene riconosciuta se la macchina è stata prestata o non è utilizzata o mantenuta in conformità alle raccomandazioni previste dalla società. La garanzia non copre i componenti soggetti ad usura.

I pezzi di ricambio sono soggetti agli stessi termini di garanzia della macchina, purchè siano stati installati con competenza e utilizzati conformemente alle nostre raccomandazioni.



**Pour votre sécurité et le bon fonctionnement de votre machine,
utilisez uniquement des pièces d'origine KUHN**

**For your safety and to get the best from your machine,
use only genuine KUHN parts**

**Zu ihrer Sicherheit und zur einwandfreien Funktion Ihrer
Maschine sollten Sie nur Original-KUHN-Ersatzteile verwenden**

**Per la vostra sicurezza, e per il buon funzionamento della vostra macchina,
usate esclusivamente i ricambi originali KUHN**

**KUHN PARTS Parc de la Faisanderie F - 67700 MONSWILLER (FRANCE)
www.kuhn.com**

Imprimé en France par KUHN
Printed in France by KUHN