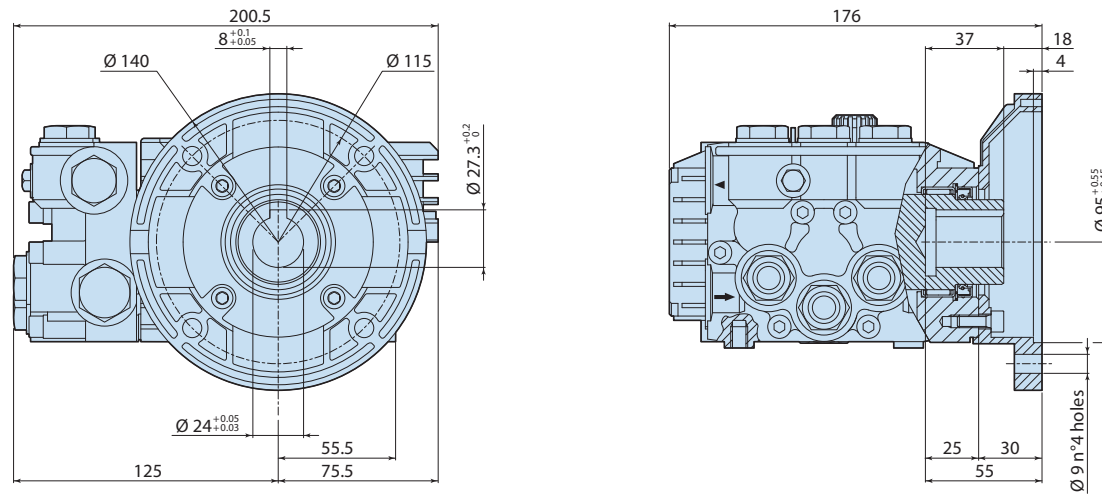


## Description

3-piston alternating volumetric pumps for use on cleaning units and industrial systems. Can be directly coupled to various types of motors. Pump body and cover in die-cast aluminium alloy. Rear cover with incorporate oil sight glass. Pistons driven by crank-connecting rod mechanism. Pump shaft in pressed high-strength steel. Oversized friction bearings. Connecting rods in die-cast special low-friction zinc-aluminium alloy. Bronze connecting rods available. One-piece ceramic pistons. Pump head in die-cast aluminium alloy. Double gasket sealing system. Pump head internal components may be in different materials depending on application. Intake and delivery valves have plugs for easier maintenance. Various regulator valves and accessories can be connected to the pump head.



Details	Value
Category	Cleaning
Series	132 - XT, XTS, XTA, XTV
Pump type	XT 13.09 C
Versioning	C
ARCode	7119
Output (lt/min)	13
Output (gpm)	3.43
Pressure (bar)	90
Pressure (psi)	1300
Power (hp)	3
Power (kw)	2,2
RPM	1450
Weight (kg)	4



1328507