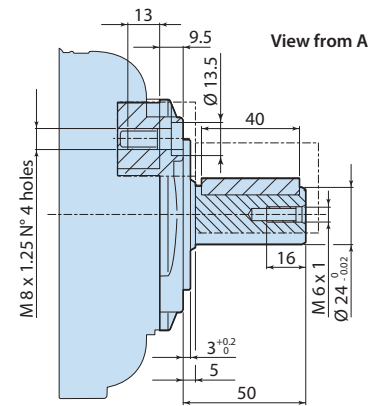
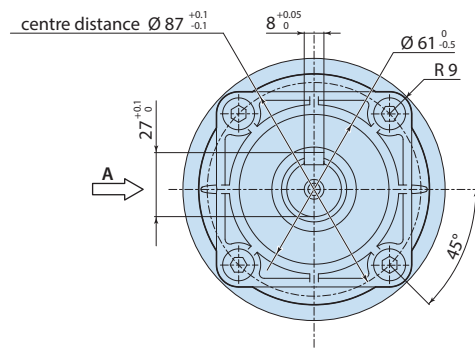
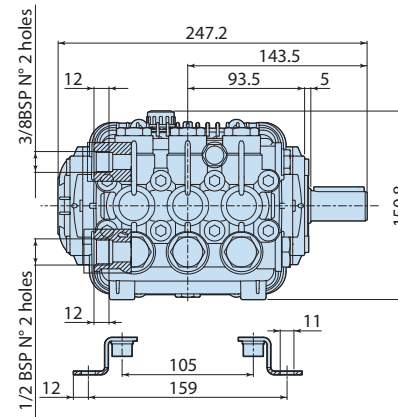
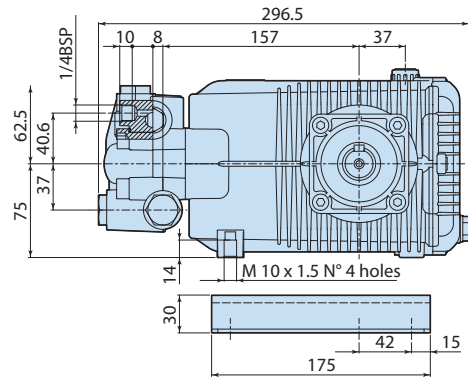


## Description

3-piston alternating volumetric pumps for use on cleaning units and industrial systems. Can be coupled to various types of motors, directly or with flexible joint. Pump body and cover in die-cast aluminium alloy. Side cover with incorporate oil sight glass. Rear cover with oil drain outlet. Pistons driven by crank-connecting rod mechanism. Pump shaft in pressed high-strength steel. Oversized friction bearings. Connecting rods in die-cast special low-friction zinc-aluminium alloy. One-piece ceramic pistons. Pump head in pressed brass. Double gasket sealing system. Various types of gasket system available depending on application. Intake and delivery valves have plugs for easier maintenance. Various regulator valves and accessories can be connected to the pump head.



Details	Value
Category	Cleaning
Series	298 - RW, RWA
Pump type	RW 21.20H N
Versioning	N
ARCode	22589
Output (lt/min)	21
Output (gpm)	5.55
Pressure (bar)	200
Pressure (psi)	2900
Power (hp)	10
Power (kw)	7,5
RPM	1450
Weight (kg)	14,5



2988501