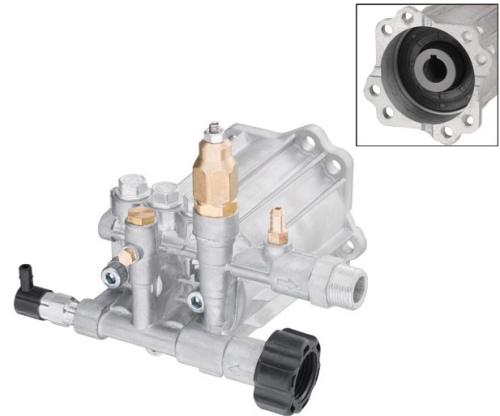
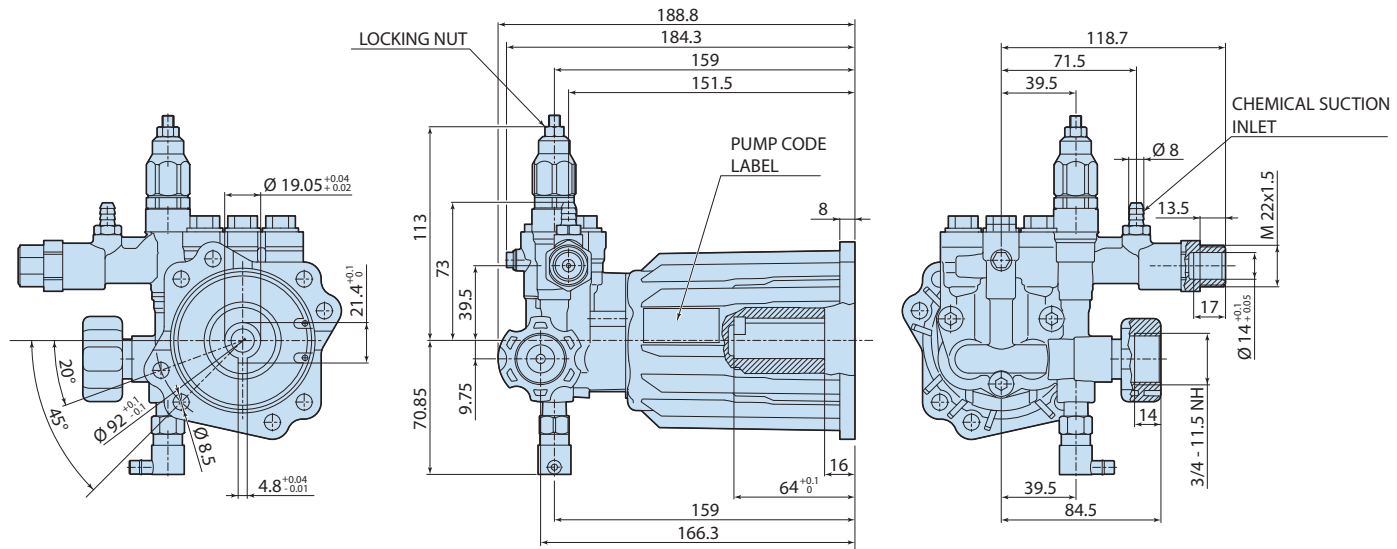


Description

3-piston alternating volumetric pumps for use on cleaning units.
 Can be directly coupled to various types of motors.
 Pump body in die-cast aluminium alloy.
 Pistons driven by swash plate mechanism.
 Two bearing systems, to support the pump shaft and pistons
 Pistons in hardened and tempered steel.
 Pump head in die-cast aluminium.
 Intake valves fitted above the pistons for greater efficiency.
 Integral regulating valve.
 Optional detergent suction system.
 Different delivery connections available.



Details	Value
Category	CLEANING WOBBLE PLATE
Series	284 - RMV,RMW
Pump type	RMV 2.2 G24 D
Versioning	D
ARCode	24823
Output (lt/min)	8,3
Output (gpm)	2,2
Pressure (bar)	165
Pressure (psi)	2400
Power (hp)	3,8
Power (kw)	2,8
RPM	3400
Weight (kg)	2,5



2848522