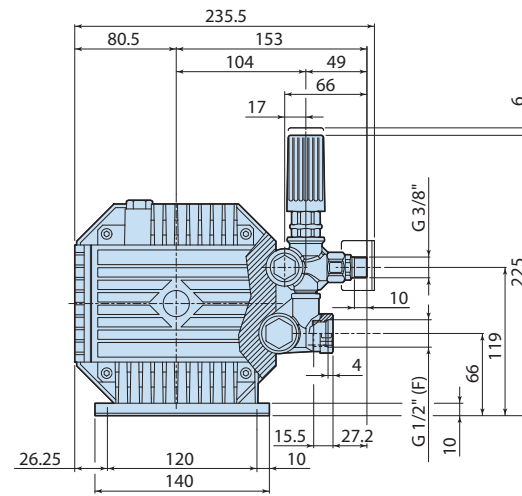
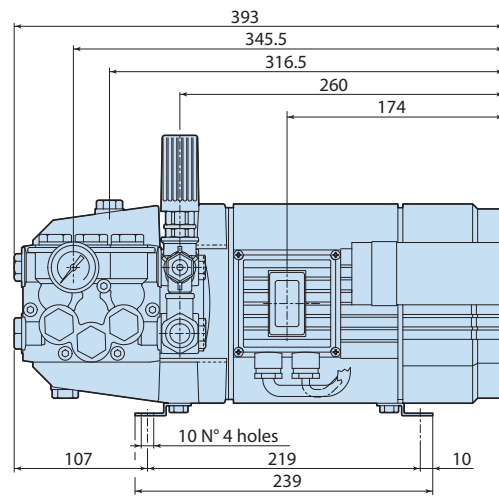


## Description

Triplex pump with connecting rod system.  
 One-piece ceramic pistons.  
 Double gasket sealing system.  
 Pump head in pressed brass or in die-cast aluminium alloy.  
 Pressure gauge Ø 40 mm.  
 Pressure regulating unloader valve automatically relieves pressure from pump at shut-off, built-in by-pass.  
 230V / 50Hz Induction electric motor.



Details	Value
Category	Misting
Series	126 - HPE-M
Pump type	HPE-M 02.08
Versioning	EM
ARCode	22096
Output (lt/min)	2
Output (gpm)	0.52
Pressure (bar)	80
Pressure (psi)	1145
Power (hp)	0,5
Power (kw)	0,35
RPM	1450
Weight (kg)	22



1268544