

Description

3 Axial stainless steel pistons wobble-plate pump.

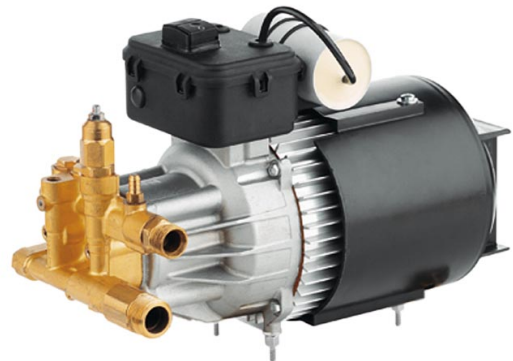
Tempered stainless steel pistons.

Double gasket sealing system.

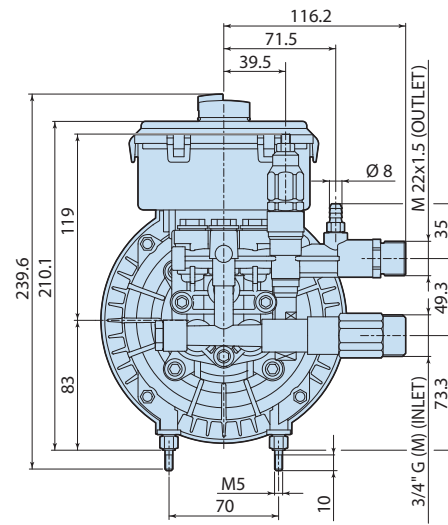
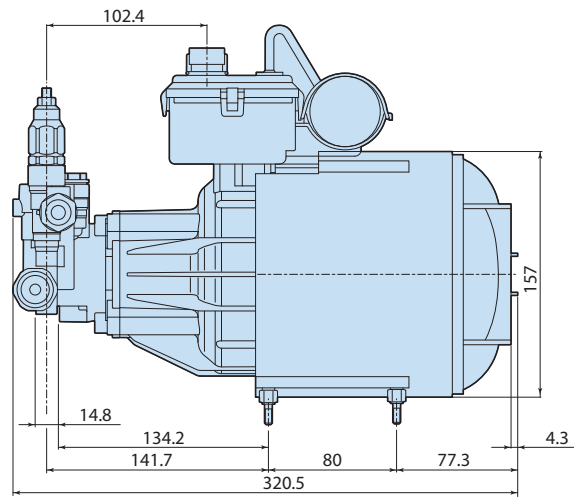
Pump head in pressed brass.

Automatic by-pass valve with pump head pressure discharge.

Single-phase induction electric motor.



Details	Value
Category	Misting
Series	290 - HRM-MO
Pump type	HRM-MO 0,5.08
Versioning	EM
ARCode	24753
Output (lt/min)	0.5
Output (gpm)	0.13
Pressure (bar)	80
Pressure (psi)	1145
Power (hp)	0,15
Power (kw)	0,1
RPM	1450
Weight (kg)	15



2908504