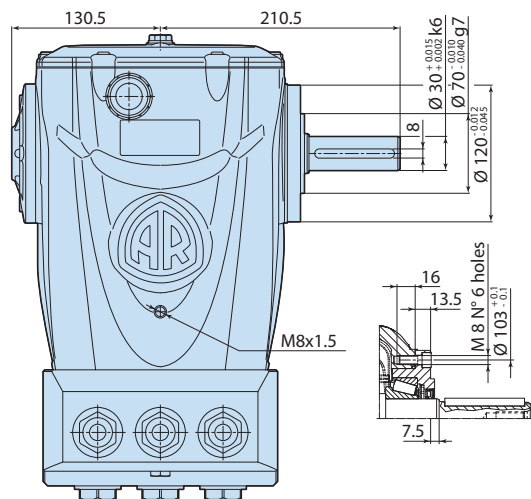
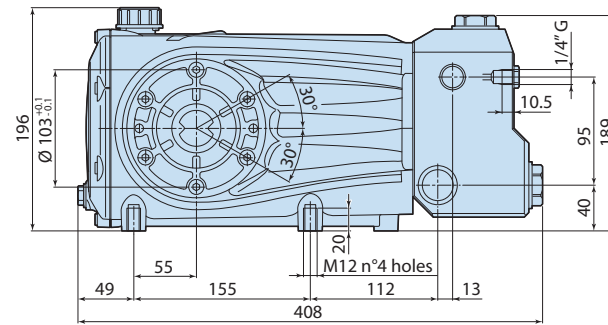
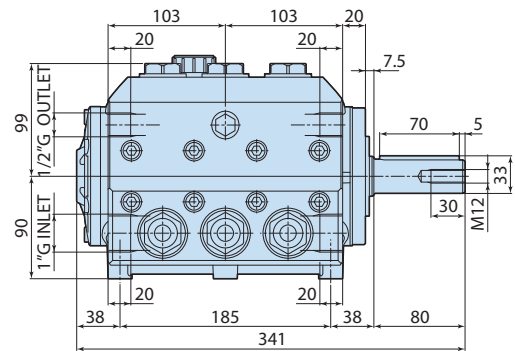


Description

3-piston reciprocating pumps for use on cleaning units and industrial systems requiring a higher level of protection against corrosion and oxidation." Pump body, end plate and side covers in die-cast aluminium with protective electro-phoresis coating. Head machined from solid AISI 316L steel block for resistance to saline and acid environments. Pistons driven by crank-connecting rod mechanism. Connecting rods in die-cast special low-friction zinc-aluminium alloy. Double gasket sealing system to minimise any water leaks. Shaft in heat-treated pressed steel for excellent mechanical strength. Oversized friction bearings. One-piece ceramic pistons.



Details	Value
Category	Stainless Steel
Series	404
Pump type	N
Versioning	RTX-SS
ARCode	26136
Output (lt/min)	100
Output (gpm)	26,4
Pressure (bar)	103
Pressure (psi)	1450
Power (hp)	24
Power (kw)	18
RPM	1450
Weight (kg)	39



4048500