

Description

3-piston alternating volumetric pumps for use on cleaning units and industrial systems.

Can be coupled to various types of motors, directly or with flexible joint.

For gasoline engine flange $\varnothing 1"$ SAE J609a included.

Pump body and cover in die-cast aluminium alloy.

Side cover may be blind or incorporate oil sight glass.

Rear cover with oil drain outlet.

Pistons driven by crank-connecting rod mechanism.

Pump shaft in pressed high-strength steel.

Oversized friction bearings.

Connecting rods in die-cast special low-friction zinc-aluminium alloy.

One-piece ceramic pistons.

Pump head in pressed brass.

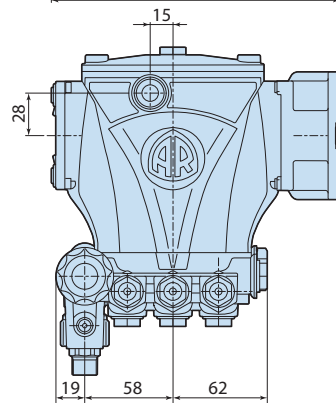
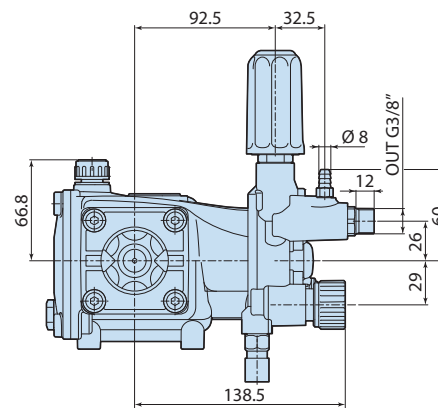
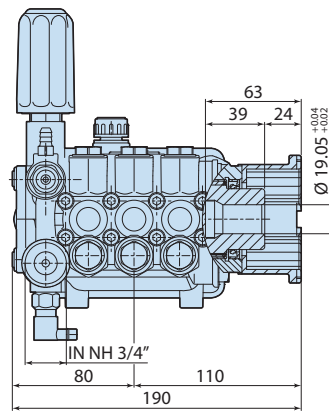
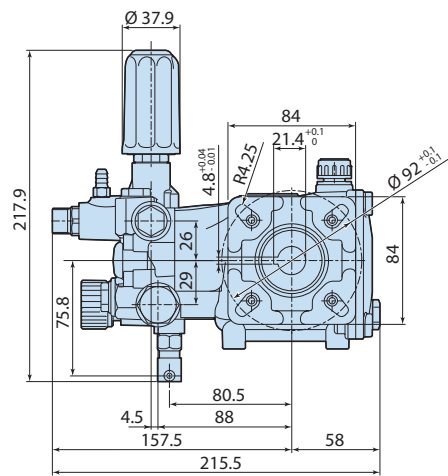
Double gasket sealing system.

Intake and delivery valves have plugs for easier maintenance.

Integral regulating valve.



Details	Value
Category	Cleaning
Series	320 - RC, RCS, RCA, RCV
Pump type	RCV 2.5 G25 D + F7
Versioning	D
ARCode	23970
Output (lt/min)	9,5
Output (gpm)	2.5
Pressure (bar)	170
Pressure (psi)	2500
Power (hp)	4.5
Power (kw)	3,3
RPM	3400
Weight (kg)	5,5



3208524