

Description

3-piston alternating volumetric pumps for use on cleaning units and industrial systems.

Can be coupled to various types of motors, directly or with flexible joint.

Pump body and cover in die-cast aluminium alloy.

Side cover may be blind or incorporate oil sight glass.

Rear cover with oil drain outlet.

Pistons driven by crank-connecting rod mechanism.

Pump shaft in pressed high-strength steel.

Oversized friction bearings.

Connecting rods in die-cast special low-friction zinc-aluminium alloy.

One-piece ceramic pistons.

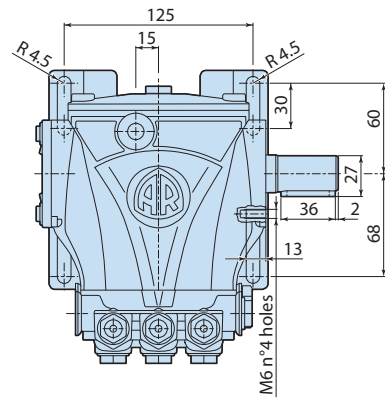
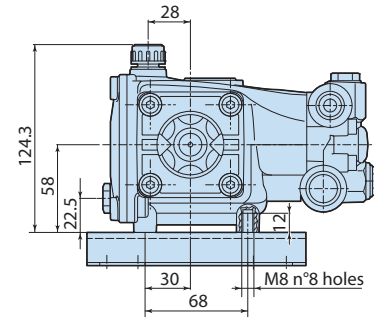
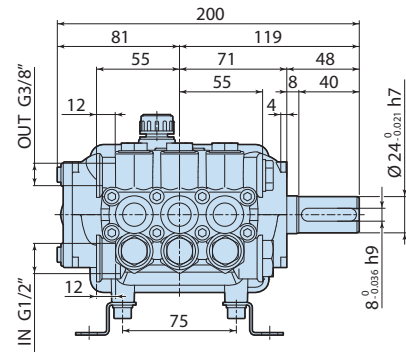
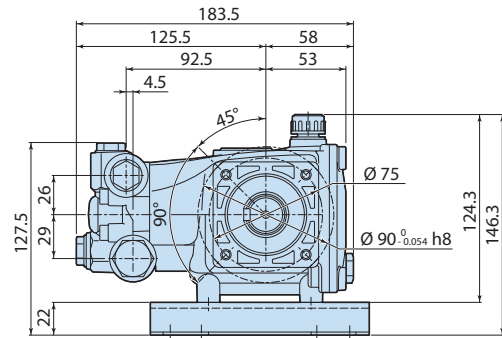
Pump head in pressed brass.

Double gasket sealing system.

Intake and delivery valves have plugs for easier maintenance.



Details	Value
Category	Cleaning
Series	320 - RC, RCS, RCA, RCV
Pump type	RC 14.16 N
Versioning	N
ARCode	23301
Output (lt/min)	14
Output (gpm)	3.70
Pressure (bar)	160
Pressure (psi)	2300
Power (hp)	5.5
Power (kw)	4
RPM	1450
Weight (kg)	5



3208500