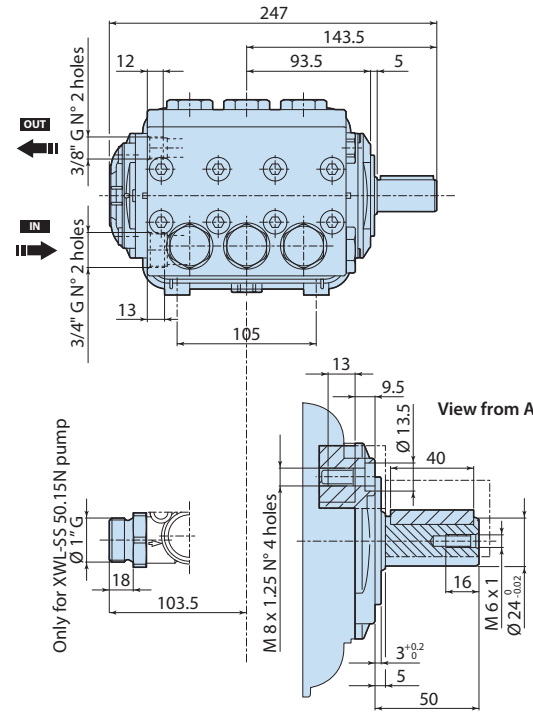
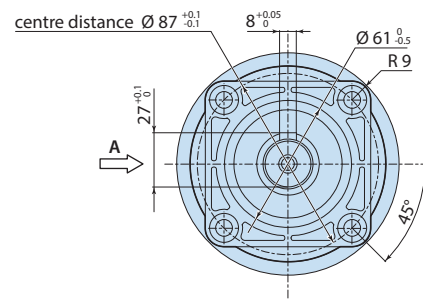
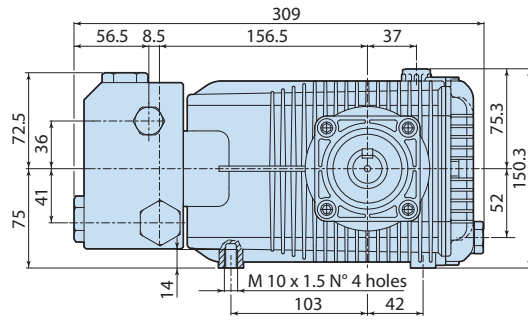


Description

3-piston reciprocating pumps for use on cleaning units and industrial systems requiring a higher level of protection against corrosion and oxidation." Pump body, end plate and side covers in die-cast aluminium with protective electro-phoresis coating. Head machined from solid AISI 316L steel block for resistance to saline and acid environments. Pistons driven by crank-connecting rod mechanism. Connecting rods in die-cast special low-friction zinc-aluminium alloy. Double gasket sealing system to minimise any water leaks. Shaft in heat-treated pressed steel for excellent mechanical strength. Oversized friction bearings. One-piece ceramic pistons.



| Details | Value |
|-----------------|-----------------|
| Category | Stainless Steel |
| Series | 252 - XWL-SS |
| Pump type | XWL-SS 26.06 N |
| Versioning | N |
| ARCode | 22478 |
| Output (lt/min) | 26 |
| Output (gpm) | 6.87 |
| Pressure (bar) | 60 |
| Pressure (psi) | 900 |
| Power (hp) | 4 |
| Power (kw) | 3 |
| RPM | 1450 |
| Weight (kg) | 18 |



2528500