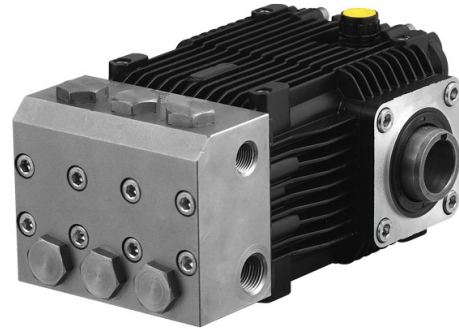
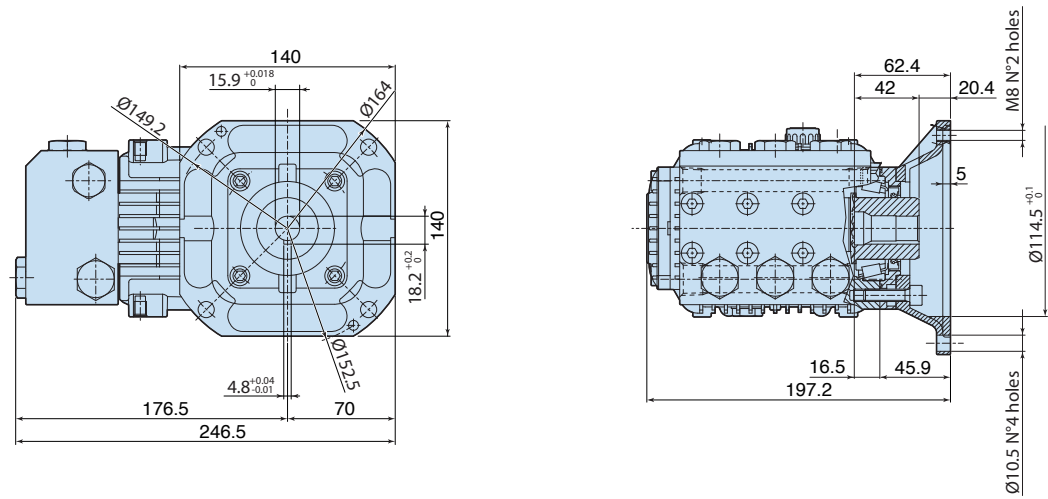


## Description

3-piston reciprocating pumps for use on cleaning units and industrial systems requiring a higher level of protection against corrosion and oxidation." Pump body, end plate and side covers in die-cast aluminium with protective electro-phoresis coating. Head machined from solid AISI 316L steel block for resistance to saline and acid environments. Pistons driven by crank-connecting rod mechanism. Connecting rods in bronze. Double gasket sealing system to minimise any water leaks. Shaft in heat-treated pressed steel for excellent mechanical strength. Oversized friction bearings. One-piece ceramic pistons.



Details	Value
Category	Stainless Steel
Series	234
Pump type	RKA-SS 4.2 G15 E
Versioning	E
ARCode	20971
Output (lt/min)	15.9
Output (gpm)	4.2
Pressure (bar)	103
Pressure (psi)	1500
Power (hp)	4,3
Power (kw)	3,2
RPM	1750
Weight (kg)	10



2348501