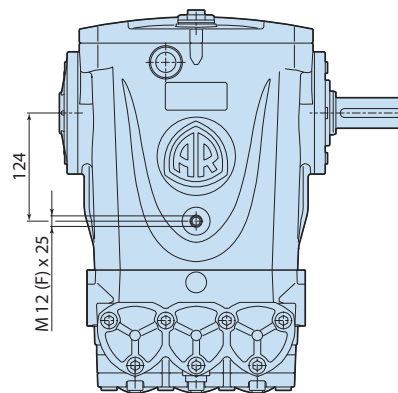
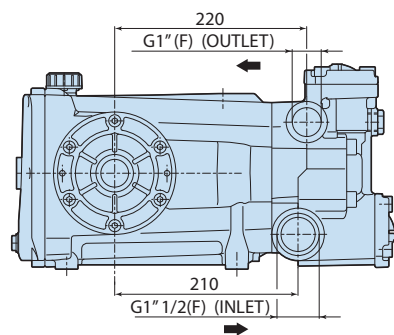
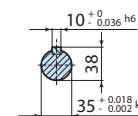
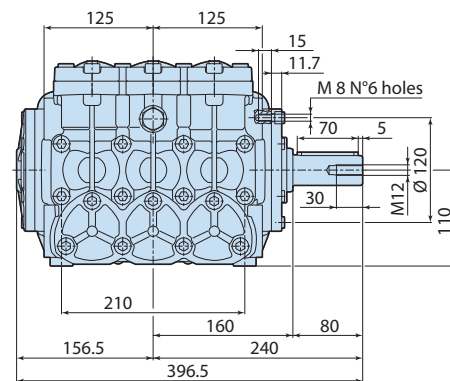
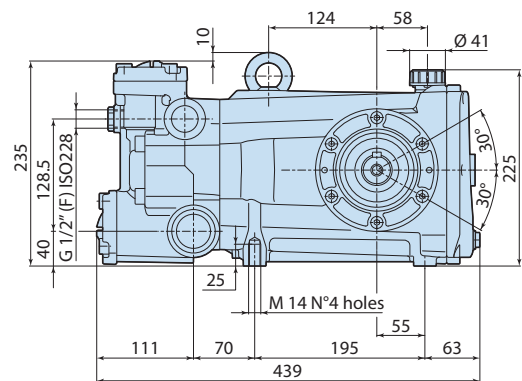


Description

Triplex reciprocating plunger pump.
 Anodized aluminum crankcase.
 Side cover with oil sight glass.
 Rear cover with oil drain plug and oil sight glass.
 Magnetic oil drain plug for a better cleaning inside the crankcase.
 Bronze connecting rods.
 Oversized tapered roller bearings.
 Solid ceramic plungers.
 Double gasket system.
 Oversized inlet and outlet check valves.
 Brass pump head.



Details	Value
Category	Contractor 600
Series	418
Pump type	N
Versioning	RTD
ARCode	26327
Output (lt/min)	100
Output (gpm)	26,4
Pressure (bar)	200
Pressure (psi)	2900
Power (hp)	54
Power (kw)	41
RPM	1000
Weight (kg)	58



4188500