

Description

3-piston alternating volumetric pumps for use on cleaning units and industrial systems.

Can be coupled to various types of motors, directly or with flexible joint.

Pump body and cover in die-cast aluminium alloy.

Side cover may be blind or incorporate oil sight glass.

Rear cover with oil drain outlet and sight glass.

Pistons driven by crank-connecting rod mechanism.

Pump shaft in pressed high-strength steel, output shaft to the left.

Oversized friction bearings.

Connecting rods in die-cast special low-friction zinc-aluminium alloy.

One-piece ceramic pistons.

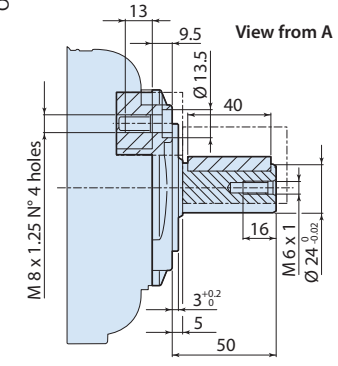
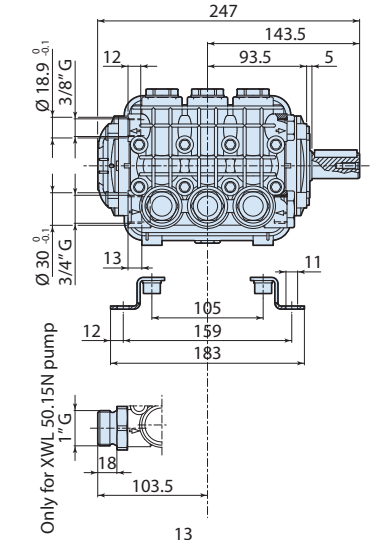
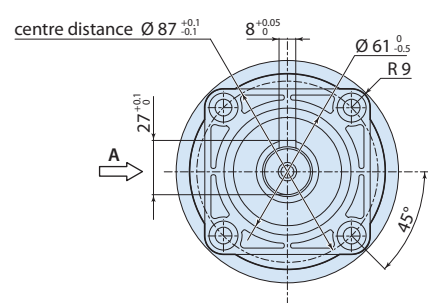
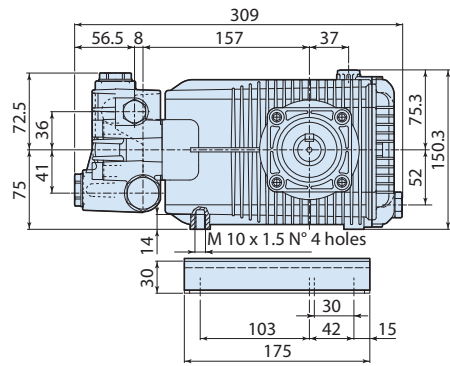
Pump head in pressed brass or steel.

Double gasket sealing system.

Intake and delivery valves have plugs for easier maintenance.



Details	Value
Category	Cleaning
Series	194 - XW, XWL, XWA, XWLA, XWF, XWT
Pump type	XWA 9 G16 N
Versioning	N
ARCode	20183
Output (lt/min)	34
Output (gpm)	9
Pressure (bar)	110
Pressure (psi)	1600
Power (hp)	10
Power (kw)	7,5
RPM	1750
Weight (kg)	16



1948501