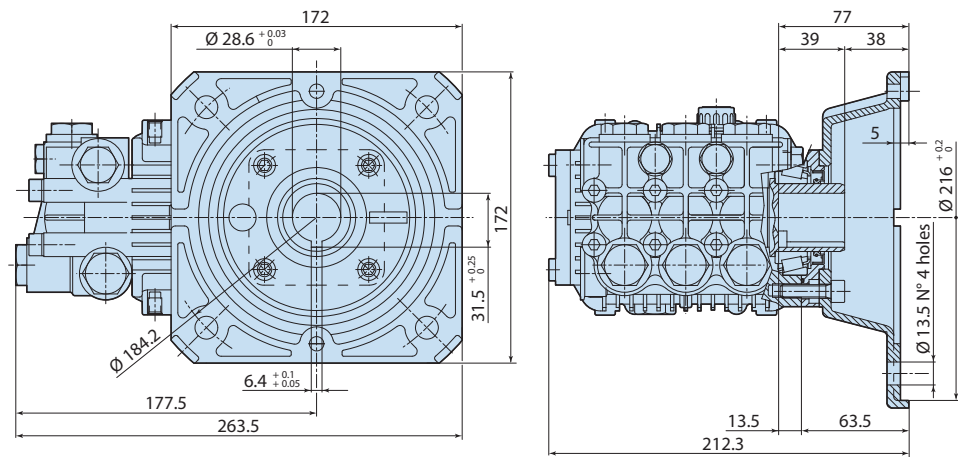


Description

3-piston alternating volumetric pumps for use on cleaning units and industrial systems. Hollow shaft pump version for electric motors NEMA 182-184, 4 poles 60 Hz, flange F17 non included. Pump body and cover in die-cast aluminium alloy. Rear cover with oil drain outlet and oil sight glass. Cap with dipstick for oil level on body pump. Pistons driven by crank-connecting rod mechanism. Pump shaft in pressed high-strength steel. Oversized friction bearings. Connecting rods in die-cast special low-friction zinc-aluminium alloy. One-piece ceramic pistons. Pump head in pressed brass. Double gasket sealing system. Intake and delivery valves have plugs for easier maintenance.



Details	Value
Category	Cleaning
Series	228 - RK, RKA, RKV
Pump type	RKA 5.5 G13 E
Versioning	E
ARCode	20682
Output (lt/min)	20,8
Output (gpm)	5.5
Pressure (bar)	90
Pressure (psi)	1300
Power (hp)	5
Power (kw)	3,6
RPM	1750
Weight (kg)	9



1388521-B