

Description

3-piston alternating volumetric pumps for use on cleaning units and industrial systems.

Pump body and cover in die-cast aluminium alloy.

Rear cover with oil drain outlet and oil sight glass. Cap with dipstick for oil level on body pump.

Pistons driven by crank-connecting rod mechanism.

Pump shaft in pressed high-strength steel.

Oversized friction bearings.

Connecting rods in bronze.

One-piece ceramic pistons.

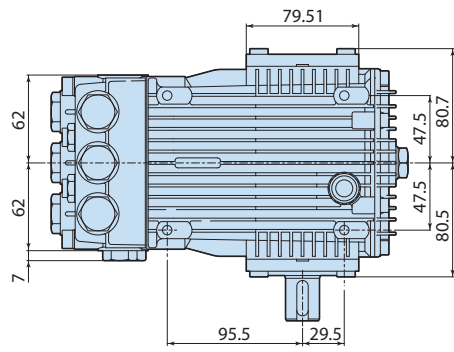
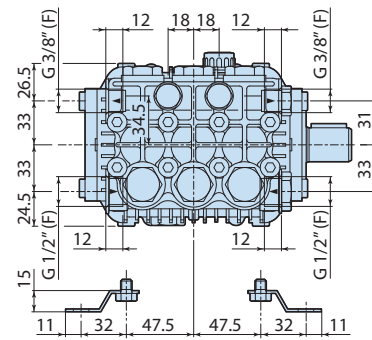
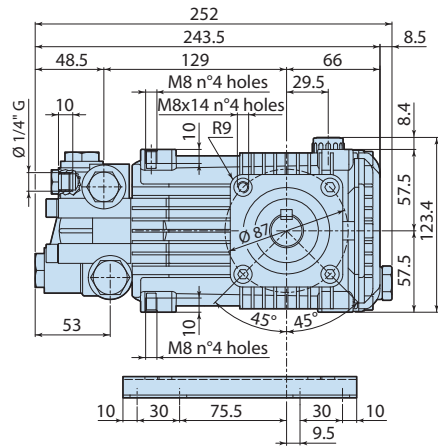
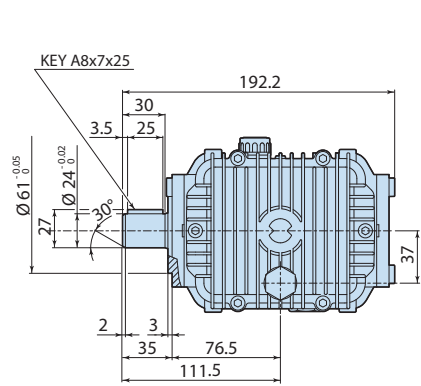
Pump head in nichel-plated brass.

Double gasket sealing system.

Intake and delivery valves have plugs for easier maintenance.



Details	Value
Category	Cleaning
Series	228 - RK, RKA, RKV
Pump type	RK 18.28 H N
Versioning	N
ARCode	21467
Output (lt/min)	18
Output (gpm)	4.75
Pressure (bar)	275
Pressure (psi)	4000
Power (hp)	15
Power (kw)	11
RPM	1450
Weight (kg)	9,5



1388523