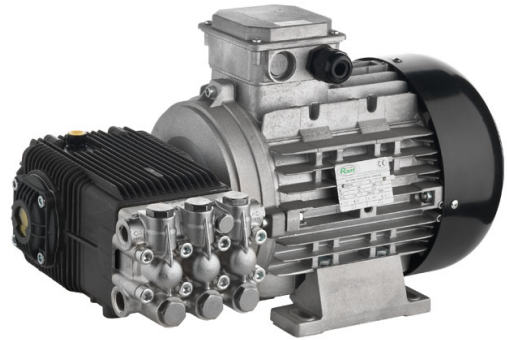
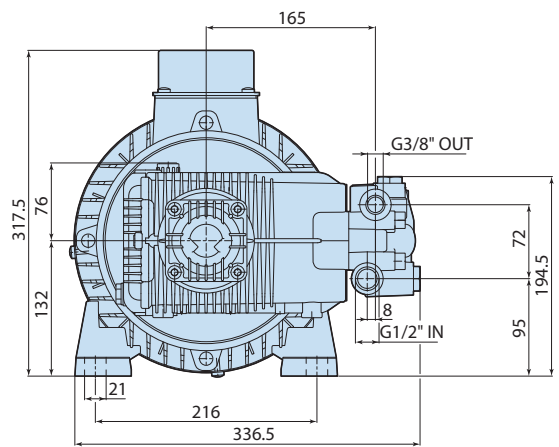
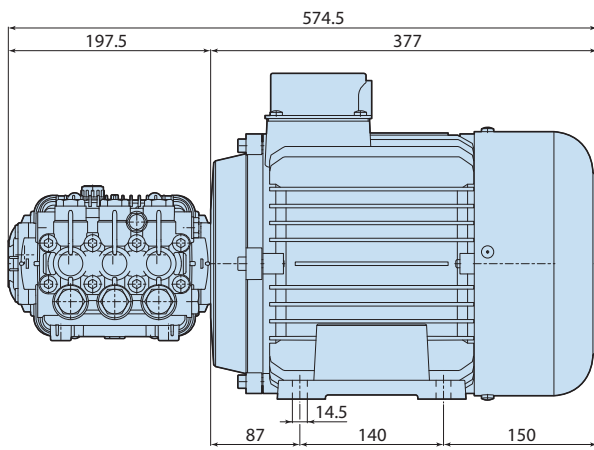


## Description

3-piston alternating volumetric pumps for use on cleaning units and industrial systems. Coupled to motors, directly or with flexible joint. Pump body and cover in die-cast aluminium alloy. Side cover with incorporate oil sight glass. Rear cover with oil drain outlet. Pistons driven by crank-connecting rod mechanism. Pump shaft in pressed high-strength steel. Oversized friction bearings. Connecting rods in die-cast special low-friction zinc-aluminium alloy. One-piece ceramic pistons. Pump head in pressed brass. Double gasket sealing system. Various types of gasket system available depending on application. Intake and delivery valves have plugs for easier maintenance. Various regulator valves and accessories can be connected to the pump head.



Details	Value
Category	Electric motor-pump units
Series	298 - HRW
Pump type	HRW 21.20H ET
Versioning	ET
ARCode	23977
Output (lt/min)	21
Output (gpm)	5.5



2988515