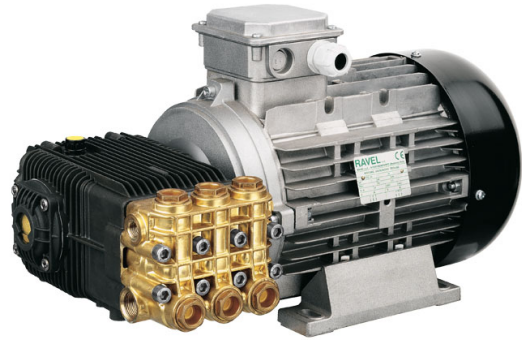
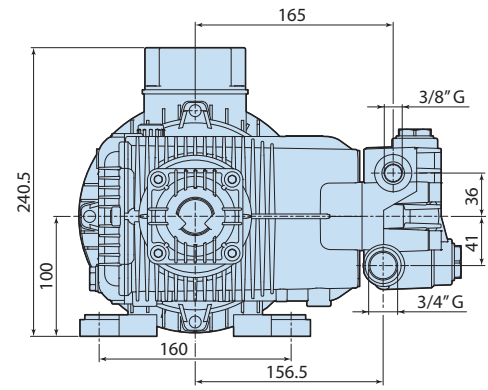
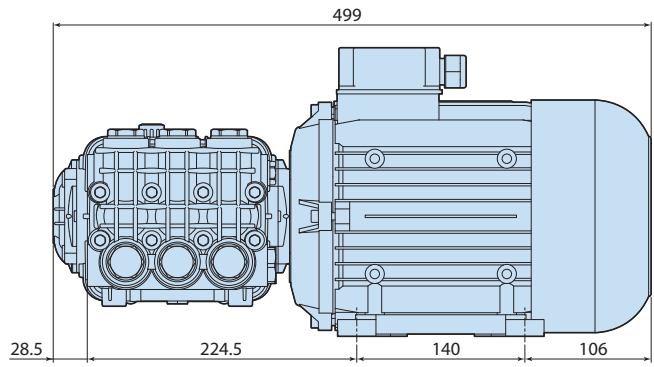


Description

Triplex pump with connecting rod system.
 One-piece ceramic pistons.
 Double gasket sealing system.
 Pump head in pressed brass.
 Induction electric motor.



| Details | Value |
|-----------------|-----------------------------------|
| Category | Electric motor-pump units |
| Series | 194 - HXW, HXWL, HXWA, HSXW, HSHP |
| Pump type | HXW 15.15 ET |
| Versioning | ET |
| ARCode | 20871 |
| Output (lt/min) | 15 |
| Output (gpm) | 3.96 |
| Pressure (bar) | 150 |
| Pressure (psi) | 2200 |
| Power (hp) | 5,5 |
| Power (kw) | 4 |
| RPM | 1450 |
| Weight (kg) | 33 |



1948530