

Description

3-piston alternating volumetric pumps for use on cleaning units and industrial systems.

Can be coupled to various types of motors, directly or with flexible joint.

Pump body and cover in die-cast aluminium alloy.

Side cover may be blind or incorporate oil sight glass.

Rear cover with oil drain outlet.

Pistons driven by crank-connecting rod mechanism.

Pump shaft in pressed high-strength steel.

Oversized friction bearings.

Connecting rods in die-cast special low-friction zinc-aluminium alloy.

Bronze connecting rods available.

One-piece ceramic pistons.

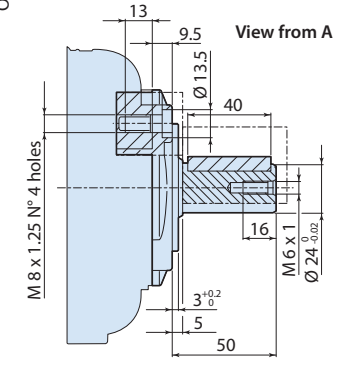
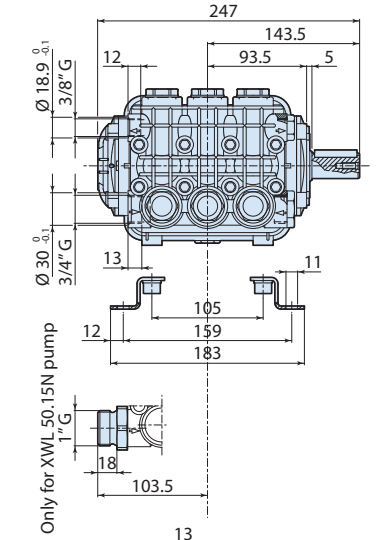
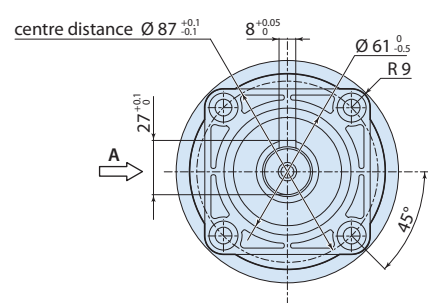
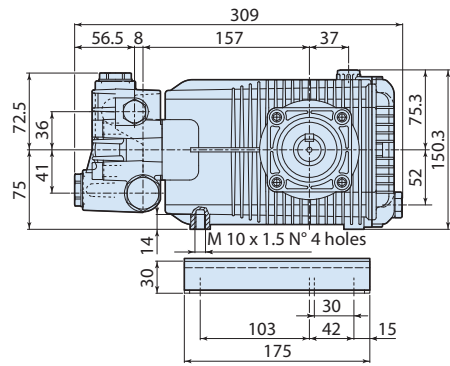
Pump head in nichel-plated brass.

Double gasket sealing system.

Intake and delivery valves have plugs for easier maintenance.



Details	Value
Category	Car Wash
Series	194 - CWX
Pump type	CWX 18.10 N
Versioning	N
ARCode	20473
Output (lt/min)	18
Output (gpm)	4.75
Pressure (bar)	100
Pressure (psi)	1450
Power (hp)	5.5
Power (kw)	3,6
RPM	1200
Weight (kg)	16



1948501