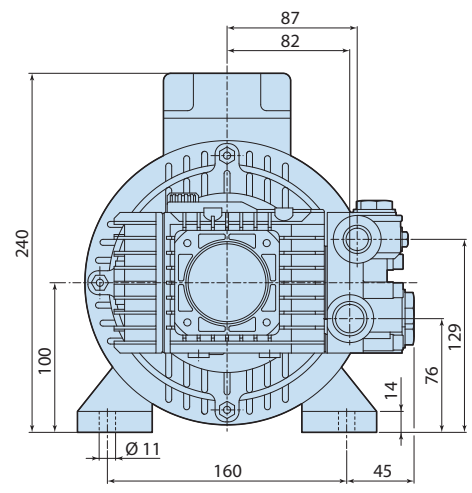
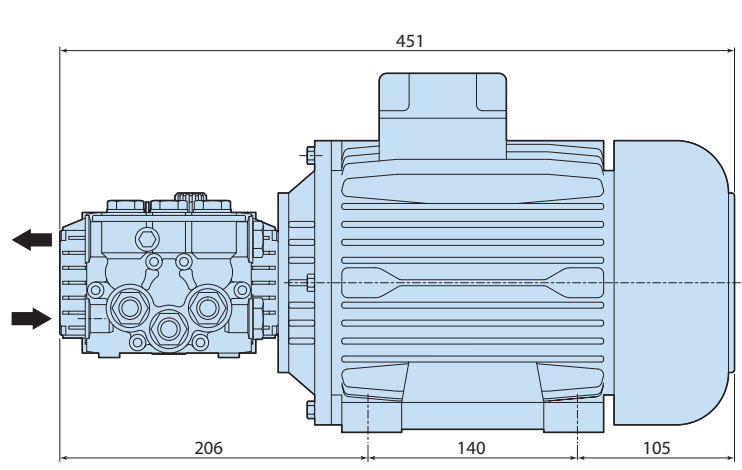


Description

- Triplex pump with connecting rod system.
- One-piece ceramic pistons.
- Double gasket sealing system.
- Pump head in pressed brass.
- Induction electric motor.



Details	Value
Category	Electric motor-pump units
Series	132 - HXT
Pump type	HXT 11.11 EM
Versioning	EM
ARCode	7148
Output (lt/min)	11
Output (gpm)	2.90
Pressure (bar)	110
Pressure (psi)	1600
Power (hp)	3
Power (kw)	2,2
RPM	1450
Weight (kg)	28



1328506