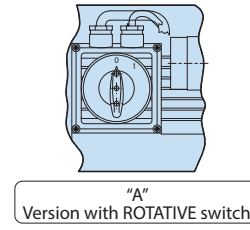
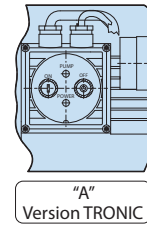
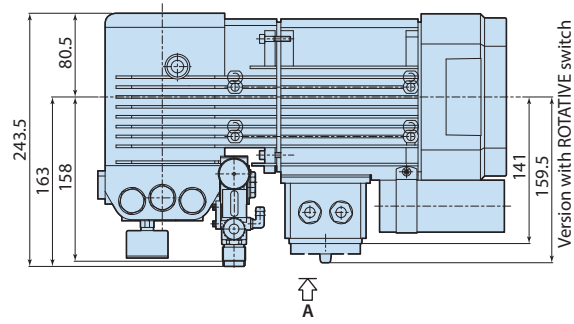
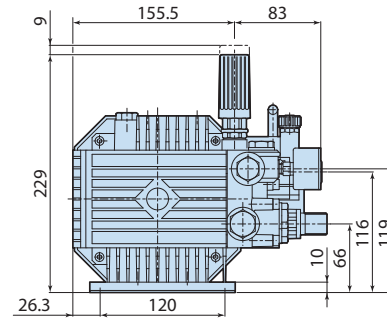
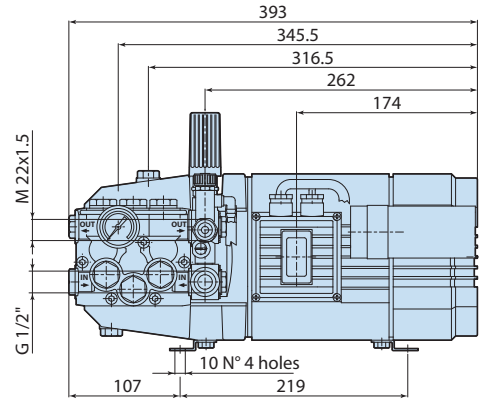


Description

Triplex pump with connecting rod system.
 One-piece ceramic pistons.
 Double gasket sealing system.
 Pump head in die-cast aluminium alloy.
 Induction electric motor.



Details	Value
Category	Electric motor-pump units
Series	126 - HPE
Pump type	HPE 8.12 A
Versioning	EM
ARCode	8593
Output (lt/min)	8
Output (gpm)	2.11
Pressure (bar)	120
Pressure (psi)	1740
Power (hp)	2,5
Power (kw)	1,8
RPM	2800
Weight (kg)	19,2



1268539