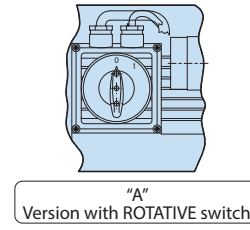
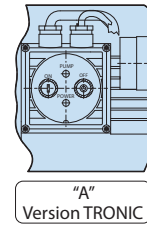
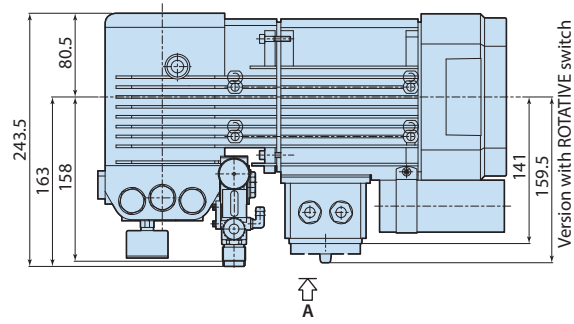
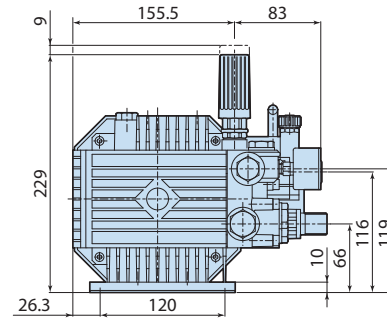
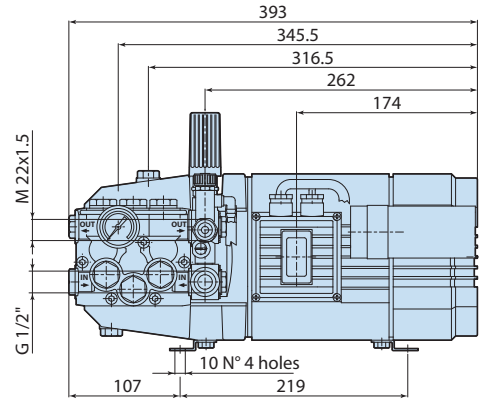


Description

Triplex pump with connecting rod system.
 One-piece ceramic pistons.
 Double gasket sealing system.
 Pump head in die-cast aluminium alloy.
 Induction electric motor.



Details	Value
Category	Electric motor-pump units
Series	126 - HPE
Pump type	HPE 11.09
Versioning	EM
ARCode	8511
Output (lt/min)	11
Output (gpm)	2.90
Pressure (bar)	90
Pressure (psi)	1300
Power (hp)	2,5
Power (kw)	1,8
RPM	2800
Weight (kg)	19,2



1268539