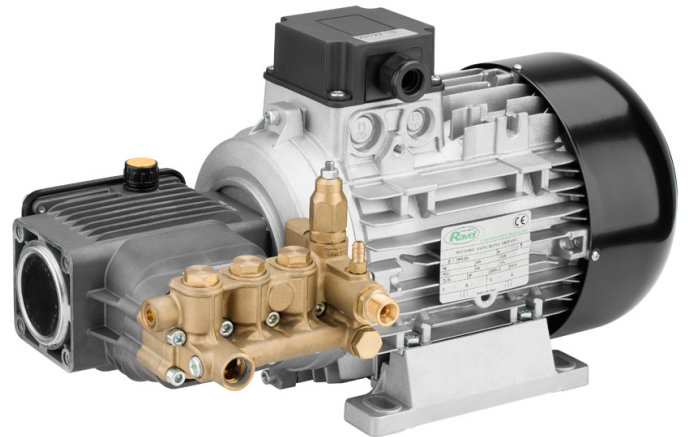
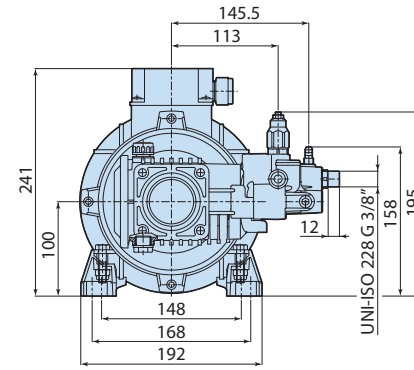
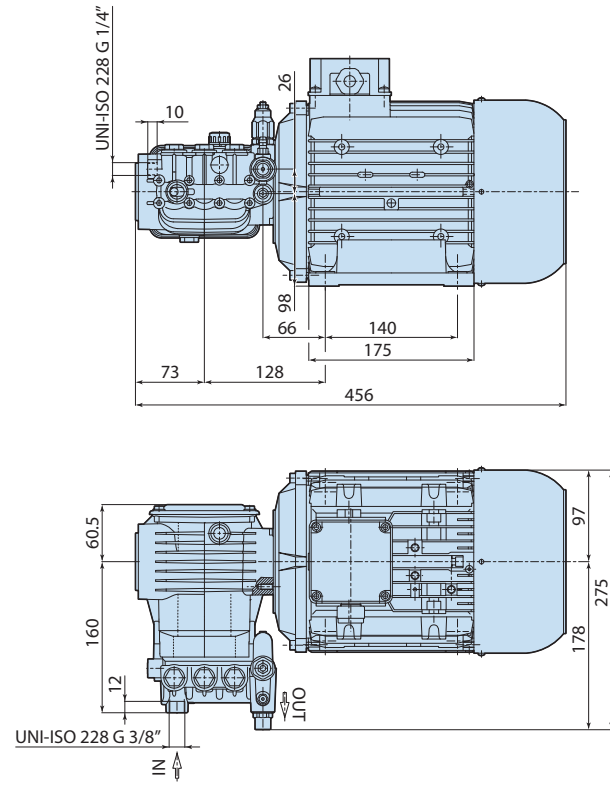


## Description

Triplex pump with connecting rod system.  
 Pistons in ceramic-coated steel.  
 Double gasket sealing system.  
 Pump head in pressed brass.  
 Automatic safety valve with pressure shut-off at pump head.  
 Induction electric motor.  
 Built-in pressure adjustment.  
 Built-in detergent suction.



Details	Value
Category	Electric motor-pump units
Series	276 - HRS
Pump type	HRS 11.11 REG
Versioning	EM
ARCode	22117
Output (lt/min)	11
Output (gpm)	2.90
Pressure (bar)	110
Pressure (psi)	1600
Power (hp)	3
Power (kw)	2,2
RPM	1450
Weight (kg)	30



2768514